

## SAVE VTC 200

High efficiency heat recovery unit



# SAVE VTC 200

New ventilation system for smaller family houses and dwellings



**With the new SAVE series of heat recovery ventilation units, Systemair once again raises the standard of high comfort and low-energy ventilation.**

Systemair's residential air handling units are suitable for homes, smaller offices and similar premises. Our new unit fulfills the high demands on the market on low energy consumption and sound levels. The EC technology ensure the fans are energy efficient and contributes to a low SFP factor.

### Geared for efficiency and control

The unit has built-in functions available for demand control that gives effective and economical operation. It also has built-in functions for communication with building management systems like Modbus.

The SAVE VTC 200 is designed for applications up to approx. 160 m<sup>2</sup>.

### Reliable and robust for long life

The casing is built of sheet metal and well insulated against condensation. The inner part of the case is made of expanded polypropylene (EPP) and provides extremely good insulation in terms of noise and heat losses. All components are easily removed for maintenance and service..

The SAVE VTC 200 is preferably installed in a secondary room, for example a storeroom or laundry room.

### SAVE VTC 200 gives you so many benefits

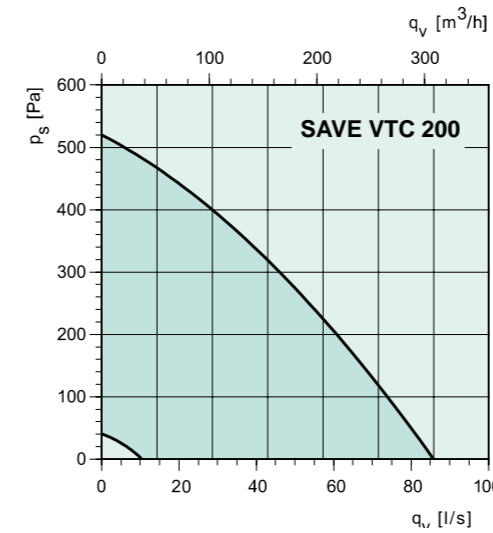
- A high-efficiency heat recovery unit with about 90 % heat recovery
- Energy-efficient RadiCal fans with modern EC technology
- Separate settings of supply and extract air flow
- Start-up wizard for easy commissioning
- Automatic change to summer operation (without heat recovery)
- Demand ventilation control system

### Technical data

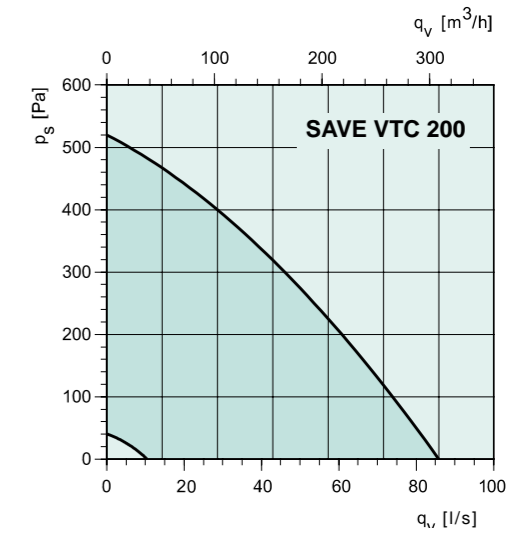
	SAVE VTC 200 R	SAVE VTC 200 L
Art. no.	24802	24803
Voltage	V 230	230
Frequency	Hz 50	50
SFP (Specific Fan Power)	kW/m <sup>3</sup> /s < 1,0	< 1,0
Recommended fuse	A 10	10
Filterclass, supply	G4 / F7	G4 / F7
Filterclass, exhaust	G4	G4
Weight	kg 42	42

### Performance

#### Supply

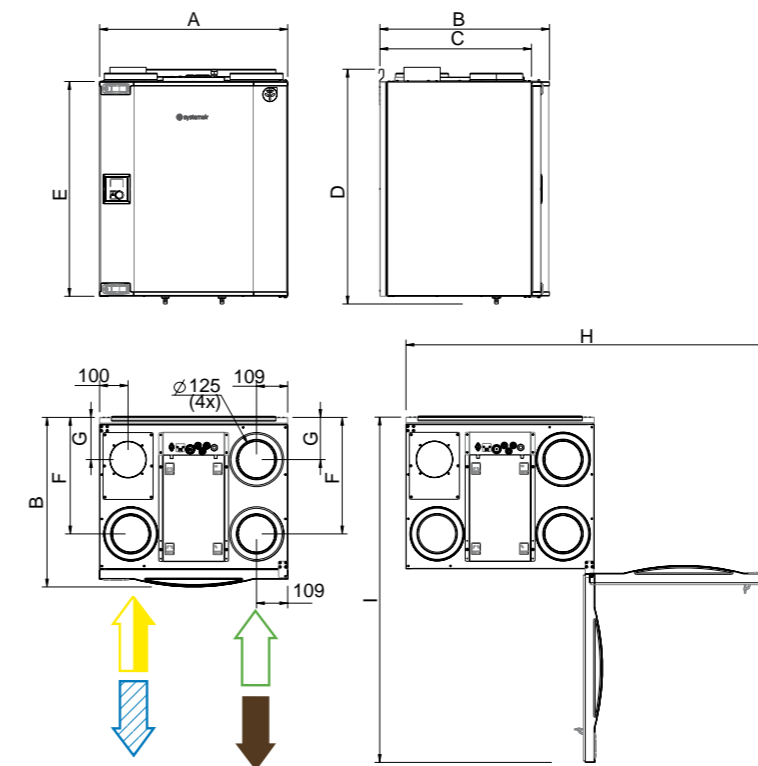


#### Exhaust



### Dimensions

#### left version



- Supply air
- Exhaust air
- Outdoor air
- Extract air

Connection diameter SAVE VTC 200: Ø125

	A	B	C	D	E	F	G	H	I
SAVE VTC 200	658	593	530	822	752	408	148	1.301	1.207

(Dimensions in mm)

