

SyScroll Air EVO 140-360 **NEW**

Air Cooled Water Chillers Cooling Only,
Heat Pump and Total Heat Recovery
Engineering Data Manual



145 to 360.7 kW



145 to 361 kW



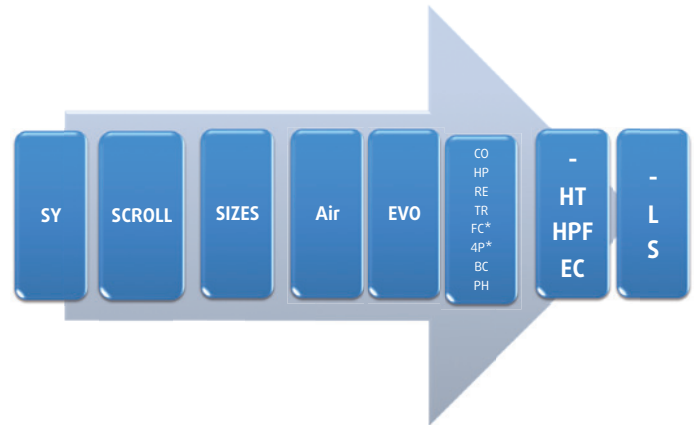
Key point

General

SyScroll Air EVO has R410A refrigerant. As near azeotropic mixture it behaves like a homogeneous substance (reduced service problems in case of leakage or re-charge) with negligible temperature glide.

- Units with EER/COP NET values higher than 3.1/3.2 (energy efficiency class A).
- With except for the fans, all the versions keep the same configuration of the base units (same structure, electrical board, compressors and coils).
Easy upgrade of the units in stock or on the field.
- Electronic expansion devices on all units: superheating value controlled by microprocessor, simple and accessible refrigeration system especially for heat pump versions with reduction of brazing points and than possible leakage.
- New Microchannel coils for Cooling only version.
- Compressors box (less sound proofing) always installed - additional compressors jackets only for S version (easy upgrade of the units in stock).
- Inverter Fans Version (EC) developed for high seasonal efficiency (ESEER higher than and high operation limits with inverter fans (electronic brushless type motor). Axial fan of large diameter.
- Special version (HPF) for high external static pressure (max. 120 Pa) with inverter fans (electronic brushless type motor). Axial fan of large diameter. These fans are the same as those used on EC units.
- New microprocessor: 4 times greater RAM memory compared with previous version, flash memory card and compressors envelope curves put inside, 3 times faster than previous control.
- Hydro kits with or without buffer tank 350 liters 140-170 and 500 liters 200-360 fitted on board. One or two water pumps are available: standard pressure (100 kPa) or high pressure (200 kPa). The water pump has a sound proof box for S version.
- For service operation, special valves dedicated to R410A are supplied on the refrigerant system. These valves, of 5/16" flare SAE type, are mounted on the liquid line and on the gauges manifold of the unit.

Specifications



CO = Cooling Only; HP = Heat Pump; RE = Remote Evaporator; TR = Totally Heat Recovery; FC = Freecooling; 4P = 4 Pipe; BC = Brine for Process Cooling Application; PH= Polar Heat Pump. *Not available yet.

General

The new **SyScroll Air Evo** units have been designed to operate with **HFC 410A** refrigerant. Both compressors and heat exchangers (plate heat exchanger and coils) have been optimized for this refrigerant.

They consist of **two independent refrigerant circuits**, a tandem high efficiency and low vibration level Scroll compressors on each circuit, a **“True Dual”** two-circuit plate heat exchanger (except 230 to 280 two independent plate heat exchangers) and a ventilating unit comprising V-shape coils and quiet fans; each of them is located in an externally mounted nozzle profile housing generating low sound level. The SyScroll Air Evo CO units are available in **9 sizes**, with a nominal capacity range from **144 to 361 kW**.

The SyScroll Air HP units are available in **9 sizes**, from size 140 to 360, with a nominal capacity range from **136.7 to 340 kW** in cooling mode and from **145 to 361.4 kW** in heating mode.

The **SyScroll Air EVO (Standard) version** can be supplied with **3 acoustic options**:

- **Basic Low Noise (-)**: The units are equipped with **delta connected fans** implying a standard rpm. The chillers are not supplied with fan speed controller, but fitted with **compressors box** to reduce the noise emissions.
- **Low Noise (L)**: The units are equipped with **star connected fans** implying a low rpm. The chillers are not supplied with fan speed controller, but fitted with **compressors box** to reduce the noise emissions.
- **Super Low Noise (S)**: The units are equipped with **star connected fans**, fitted with a speed controller which allows the units to operate with a very low rpm. The chillers are supplied with **compressors box** and **soundproof jackets** on compressors reducing significantly the noise emissions.

To increase their field of applications, the SyScroll Air EVO ranges are available in **3 additional versions**:

- **EC version**: It has same equipment as that of the STD version, except that the units are equipped with **special inverter fans**, of large diameter, driven by **EC (electronic brushless type) motors** with **integrated electronic inverter**, to ensure low energy consumption. This version can be supplied with -, L or S acoustic options.
- **HT (High Temperature) version**: It has same equipment as that of the Basic version, but the units are fitted with **special inverter fans and motors** identical to those of the EC version, but with a different regulation. The HT version can be supplied with BLN acoustic option only.
- **HPF (High Pressure Fans) version**: It has same equipment as that of the BLN units, except that the units are equipped with **special inverter fans** (same as those used on EC version, but with a different regulation) driven by **EC motors** with **integrated electronic inverter**. The HPF version provides external static pressure up to **120 Pa**. This version can be supplied with BLN acoustic option only.

In addition, **2 heat recovery options** are available:

- **Desuperheater**: All the versions can be supplied with plate type heat exchangers fitted, one on each refrigerant circuit, on the compressor discharge line to recover about **20 % of the total heat** rejected to the condensers.
- **Totally Heat Recover (TR version)**: All the versions of the **cooling only** units can be supplied with a double circuit plate type heat exchanger to recover **100 % of heat rejection** by the condensers. 4-way valves and a field installed control sensor are also provided to ensure the cooling/heat recovery mode changeover.

Conformity with standards

The following applies to all the sizes and versions:

- Machine Directive: 2006/42/EC
- Low Voltage Directive: 2006/95/EC
- Electromagnetic Compatibility Directive: 2004/108/EC
- Pressure Equipment Directive: 97/23/EC

Cabinet and structure

The unit cabinet and structure are made of heavy gauge galvanized steel coated with polyester powder based painting (RAL 7040). All parts of the structure are fastened totally with non-corrosive screws and bolts.

Compressors

Each unit is equipped with four compressors arranged in two tandems to suit the two refrigerant circuits.

The compressors are of hermetic scroll type and fitted with an electronic control system ensuring protection against high temperature and excessive load.

All compressors have direct-on-line starting and are mounted on rubber vibration isolators in order to minimize noise and vibration transmission.

Evaporator

Evaporators is of a brazed stainless steel plate type heat exchanger.

It is insulated with a 19 mm thick closed cell polyethylene foam material and is fitted with a film type electric heater on the external surface to prevent the unit from freezing at a low temperature (down to -18 °C) when the unit is off. Water connections are of a Male GAS Threaded type: 2"1/2 on sizes 140 to 200 and 3" on sizes 230 to 360.

Condenser coils

The condenser coils are made of seamless copper tubes, arranged in staggered rows, mechanically expanded into corrugated aluminum fins.

For Cooling only version (CO version). The condenser coils are of microchannel type, made of 100% aluminium (fins, tubes and headers) with the exception of pipe couplings which are in copper.

Condenser fans

For each size, all versions keep the same number of fans. Large diameter, direct drive axial type fans with asynchronous three-phase motors are used in all acoustic versions (-,L,S version) of SyScroll 140-360 Air Evo.

Special inverter fans with electronic brushless type motors are used in SyScroll 140-360 Air Evo EC,HT and HPF.

On high pressure fans of HPF units, the external static pressure (≤ 120 Pa) can be adjusted on site to match the customer demand directly from the electronic control panel of the unit.

Fans are equipped with externally mounted nozzle profile housing which generates low sound levels.

Fan speed control

The speed of fans is controlled in order to operate at a low ambient temperature.

On units with standard axial fans, the accessory fan speed control, supplied as standard on S version, is of a pressure actuated stepless type with an electronic controller.

The pressure actuated stepless type fan speed controller can be supplied as optional on - and L versions. It allows the units to operate in cooling mode at ambient temperature down to -14 °C.

On EC and HPF units with electronic axial fans, the pressure actuated stepless type fan speed control is supplied as standard, because these electronic fans are already equipped with an integrated fan speed control (fan speed range: 50 to 1200 rpm; ambient temperature limit: -18 °C (in cooling mode only).

Refrigerant circuits

All the units are composed of two independent and separate refrigerant circuits.

Each refrigerant circuit is equipped with liquid line and discharge line shutoff valves, filter-drier with solid core, sight glass and [electronic expansion valve \(EXV\)](#).

The heat pump units (HP) are provided with 4-way reversing valves, suction accumulators and liquid receivers on the liquid lines.

The total heat recovery units (TR) are supplied with 4-way reversing valves and liquid receivers downstream of the heat recovery condenser.

The functional diagram of each circuit is shown in the section "Refrigerant flow diagram".

Electrical board

Metal case, externally arranged at one end of the unit. Case for the board with IP44 protection rating, complete with grille for natural air ventilation of the box.

Control and safety devices

Each unit is fitted with the following devices:

Safety:

- Power disconnect switch with an emergency stop function.
- HP switches, set to 40.5 bar, automatic and manual reset to be reinitialized from the control panel.
- Water differential pressure switch on the evaporator, set to 105 mbar (corresponding to about 50 % of the nominal capacity).
- Antifreeze temperature sensor (set to +4 °C) on the evaporator.
- Safety valve on discharge lines (for each evaporator), set to 45 bar.

Control:

- HP and LP transducers (each circuit).
- Evaporator water inlet temperature sensor.
- Evaporator water outlet temperature sensor (with an antifreeze function).
- Suction temperature sensor for EXV control.
- Ambient air temperature sensor.
- Coil temperature sensors.
- Heat recovery condenser temperature sensor (TR only).

Electronic control

The units are supplied with the new microprocessor-based electronic control and management system ensuring the following functions:

- Management of the operation of compressors:
 - Power on/off
 - Anticyclone management
 - Tandem unloading for high pressure or high compressor pressure ratio (integrated inside the curves of compressor operating limits).
- Chilled and hot water temperature regulation (control option on inlet water temperature RWT (P+I type) or outlet water temperature LWT (neutral band type) of the evaporator).
- Control of superheating on suction line.
- Evaporator antifreeze protection.
- Heat pump defrost control for automatic operation.
- Management of high and low pressure alarms.
- Management of the electronic expansion valves by means of EXV controller allowing optimized functions: cooling, heating, start-up and defrost.
- Management of external interlocks.
- Management of the remote control:
 - Unit power on/off
 - Summary alarm signals
- Remote signalling, by dry contacts:
 - Voltage presence
 - Compressors in operation
 - General Alarm
- Management of the hydro kit: start-up of pump, antifreeze heater of external tank.
- Management of the heat recovery mode by means of inlet water temperature sensor at the heat recovery condenser.

The unit controller can also clearly show all control parameters of the machine on the liquid crystal display, such as:

- Display of superheating value.
- Display of the temperature at the evaporator inlet and outlet.
- Display of the ambient air temperature.
- Display of the circuit 1 and circuit 2 discharge pressure and suction pressure.
- Display of the set point.

- Display of the various alarm and operation status:
 - Low / High pressure
 - Evaporator antifreeze
 - Flow switch signal for lack of water
 - Control of the compressor operating hours
 - Compressors in operation
 - Pump in operation and operating hours
 - Thermal protection of compressors
 - Thermal protection of fans
 - Faulty sensors

Standard equipment

- Set point timer/clock card.
- Pressure actuated fan speed control.
- Back light display.
- Digital pressure and temperature reading kit.
- High ambient pressure control.
- Sequence phase control.
- Electronic expansion valves.
- Control circuit transformer 400 V/230 V.
- Data logger.
- Power supply without neutral.
- Hour meter.
- Main switch.
- Refrigerant R410A.
- PED approval.
- Evaporator antifreeze electric heater.
- Compressor jacket (standard on S version).
- Compressor box.
- Water pump acoustic box (as standard on S version).
- Water differential pressure switch.
- Antifreeze electric heater for hydraulic manifolds (brine application).

Optional hydro kits

On board mounted inside and remote hydrokits are available as optional. The on board hydro kits can be supplied with or without buffer tank while remote hydro kits (supplied loose for field installation) are always provided with internal tank.

- The on board hydro kit without buffer tank has the following components:
 - Single or double pump with low static pressure (100 kPa) or high static pressure (200 kPa),
 - Expansion tank (18 litres for all models),
 - Water filter option (supplied loose),
 - Shut-off valves,
 - Safety valve,
 - Automatic air vent valve,
 - Thermal insulation for pipes and water pump(s),

The water pump(s) is supplied with sound-proof box for units in S version. The on board hydro kit without buffer tank are available also for TR units.

- The on board hydro kit with buffer tank has the following components:
 - Single or double pump with low static pressure (100 kPa) or high static pressure (200 kPa),
 - Buffer tank (350 lt for 140-170 and 500 lt for 200-360),
 - Expansion tank (18 litres for all models),
 - Water filter option (supplied loose),
 - Shut-off valves,
 - Safety valve,
 - Automatic air vent valve,
 - Thermal insulation for pipes and water pump(s),
 - Electrical box,
 - Antifreeze electric heater inside buffer tank (electric heater for pipes is not supplied).
- GSM.
- HP & LP manometers.
- Ecoating for Microchannel and AL/CU. Blue fins treatment for AL/CU (standard for Polar version).
- Condenser coils with copper fins.
- Coil grilles (140-170).
- Chiller grilles.
- Total heat recovery (TR).
- Desuperheater.
- On board hydro kits 1P/2P with/witout tank.

Field-installed accessories

Factory installed options

- ModBus protocol kit for BMS (as standard).
- Lonwork protocol kit for BMS.
- Bacnet protocol kit for BMS.
- Compressors soft starter.
- Pressure actuated stepless fan speed controller for low ambient operation (-14 °C).
- Double set point.
- Power factor correction capacitors.
- Compressors overload protection.
- Remote ON/OFF control.
- Remote keyboard panel.
- Master and slaves control, up to 4 units max.
- Spring anti-vibration.
- Flow switch.
- Water filter.
- Remote hydro kits with buffer tank, 1 or 2 low or high pressure pump(s), relevant accessories and with or without antifreeze heater:
 - 750 litres: sizes 140-280.
 - 1000 litres: sizes 300-360.

Accessories & Options

SyScroll Air Evo	Delivery	Abbreviation	Description & Befenit
Set point timer/Clock card	Std	CLK	To schedule 4 different interval time with different active water T setpoint.
Back light display	Std		User Display panel mounted. Suggested for outdoor installation.
Digital pressures and temperatures reading Kit	Std		Pressure Transducers & Sensors to show the Discharge and Suction pressure and temperature during running condition.
High pressure control on capacity	Std		Functions able to protect multistage circuit from High discharge pressure values. Circuit is partloaded whenever the Discharge pressure is too high to prevent HP tripping.
Sequence phases control	Std	PHC	It allows to check the correct sense R-S-T of electric supply phases for 400/3/50 units.
Electronic expansion valves	Std	EEV	It is the device able to control the refrigerant flow on suction line trough a stepper motor in order to keep the superheat as constant as possible.
Control circuit transformer 400V/230V	Std	TRF	Voltage transformer to provide correctly the separated voltage to the auxiliary line.
Data logger	Std	DL	Record continuously the essential thermodynamic operating parameters, during the last hours. This facilitates debug and service activity on field.
Power supply without neutral	Std	3PH	Unit to be supplied with 400/3/50. No need of Neutral cable.
Hour meter	Std		Total running hours recorded for each compressors and for total unit. Also record of total scroll compressors starts.
Main switch	Std		Front operated switch-disconnector with direct mounted handle to cut the power Supply Line according CE standards.
Differential pressure switch	Std		Prevents the operation of the unit if the circulating chilled fluid is insufficient. Checking water differential pressure.
Antifreeze electric heater kit	Std	EEH	Electrical Heater protects the plate exchanger.
Compressor Jacket	Std SLN	CJ	Jacket for each compressors in order to reduce the sound of its.
Remote On/Off control	Accessory		It enables the operator to power on the unit when it is in standby mode, to display alarms and switch over cooling-heat pump. Maximum lenght: 50mt.

Accessories & Options (continued)

SyScroll Air Evo	Delivery	Abbreviation	Description & Befenit
Remote keyboard panel	Accessory		Makes it possible to control the unit through the remote terminal, up to a maximum distance of 400mt of telephone cable.
Modbus protocol kit for BMS	Option	MBS	It permits the integration of the unit with BMS with Modbus protocol trough RS485 port.
Lonwork protocol kit for BMS	Option	LON	It permits the integration of the unit with BMS with Lonwork Network.
Bacnet protocol kit for BMS	Option	BAC	It permits the integration of the unit with BMS with Bacnet protocol trough RS485 port.
Interface Kit ethernet/webctrl pcos (Modbus & Bacnet already included)	Option		It permits the integration of the unit with BMS with Modbus or Bacnet protocol trough Ethernet port (TCP/IP).
Softstarter for compressor	Option	SS	An electronic device that automatically starts up the compressors gradually. The starting current can be reduced by up to 40% of the direct on line value.
Low ambient kit (-14°C) (pressostatic stepless fan speed control)	Option	FSC	Electronic speed controllers are designed to control the speed of fan motors in Air Cooled Chiller and Heatpump. Fan Speed controlled by Condensing Pressure in cool mode or by Air Temp in heat mode. Using variable fan speed controllers offers following benefits in commercial refrigeration or air-conditioning applications High Efficiency, Low Noise level, Low air temperature in cool mode and High air temperature in heat mode.
Double set point	Option	DSP	Can manage two different applications (set point) selected by remote dry contact Circuit 1 and Circuit 2. On/Off or Part Load by remote Dry contact.
Power factor corrector capacitors	Option	PFC	The purpose of the power factor corrector capacitor is to minimize the input current distortion and make the current in phase with the voltage. Target is to keep Power Factor about 0.90 in any running condition.
Overload protection for compressors	Option	CP	The compressor is equipped with an amperometrical protection (overload protection) wired under the compressor contactor; this protection operates: a) if compressor's temperature is too high. b) if current's absorption is too high.
Sequencer for up to 4 chillers installation	Accessory	SEQ	It can easily pilot up to 4 units, chiller or heat pumps, belonging to the same family, fitted in parallel, 50 metres apart maximum.
Master and slave up to 4 chillers installation: CHILLERNET	Accessory		It is a network of chillers. They are hydraulically connected in parallel on the same installation. They are intended to work together as a single machine whose capacity equals the total amount of capacities. Up to 4 chillers of the same family can be connected together. One of these chillers is called MASTER, the others are SLAVE. The MASTER chiller will control all the other chillers.
GSM	Option	GSM	Makes it possible to check the working mode or the switching on/off of the unit via SMS. In case of any alarms, the unit sends an SMS to the user.
Automatic circuit breaker	Option	ACB	ACB is an automatically operated electrical switch designed to protect an electrical circuit from damage caused by overload or short circuit. Providing Magnetic and Thermal protection to Fan and Compressor motors.
Mechanical gauges kit (HP and LP manometers)	Option	KM	Pressure gauges that display the operating pressure in the high and low pressure sections of the refrigerant circuit.
e-coating MCHX	Option		It is a treatment fo MCHX coil for medium level of pollution and for marine atmosphere.
Copper Fins	Option	CU/CU	The package heat exchanger finned coils in Cu/Cu can be used in places with a concentrations in the air of saline and highly aggressive agents: Not suitable in presence of sulphur-based agents.
Coil Guards	Option	CG	Grilles to protect the coils.
Chiller grilles	Option	KG	Grilles to protect unit avoiding possible intrusion into the unit.
Total heat recovery	Option	TR	Additional exchanger in order to recover 100% of capacity for Domestic Hot Water application.
Desuperheater	Option	D	Additional exchanger in order to recover 20% of capacity for Domestic Hot Water application.
Flow switch	Accessory	FS	Prevents the operation of the unit if the circulating chilled fluid is insufficient. It is recommended to install a flow switch to ensure the correct operation of the unit.
Water pressure switch	Accessory		Mechanical water pressure switch to be mounted on the field installation on installation water piping to prevent very low Water Pressure.
Water filter	Accessory		Filter to remove impurities from the water supply.

Accessories are loosed and to install in the field. Options are mounted in factory.

EN 14511-2011

Starting 2012 Campaign Eurovent Certification Company took decision to start certify only performances declared in according severe European Standard EN14511.

BEFORE 2012: GROSS PERFORMANCES

Before this date all capacity performances are declared, measured and certified by Eurovent, as GROSS performances. COOLING or HEATING CAPACITY was rated without taking in account the negative contribution of the heat exchanger Pressure Drop or the positive contribution of the Head Available prevalence in example.

OWER INPUT was rated as pure sum of all power input contribution from all motors fitted on the unit. Without taking in account the correction due to power spent to win the exchanger Pressure Drop in example.

AFTER 2012: NET PERFORMANCES

After this date all data are certified according EN14511. Mainly consequences in example on Water chiller or heatpump are: COOLING or HEATING CAPACITY is now rated taking in account the negative contribution of the heat exchanger Pressure Drop or the positive contribution of the Head Available prevalence in example. In case of Water to Water unit, in example, both exchanger Pressure Drop values are taken in account in the formula.

POWER INPUT is now rated as all power input contribution from all motors fitted on the unit taking in account also the correction due to power spent to win the exchanger Pressure Drop in example.

As an important consequence of these new rules setted by Eurovent is that EER, COP and ESEER are also affected by these correction. All efficiency index are now calculated, measured and certified according new rules setted by Eurovent according EN14511.

Air to water unit (non ducted outdoor):

	Indoor pump is an integral part		Indoor pump is not an integral part	
	ECC 2011 (gross)	EN14511:2011	ECC 2011 (gross)	EN14511:2011
Ph	$Ph_m^{(1)}$	$Ph_m - \frac{q_{wi} \Delta p_{e,wi}}{\eta_{pi}}$	Ph_m	$Ph_m - \frac{q_{wi} (-\Delta p_{i,w})}{\eta_{pi}}$
Pc	$Pc_m^{(1)}$	$Pc_m - \frac{q_w \Delta p_{e,wi}}{\eta_{pi}}$	Pc_m	$Pc_m - \frac{q_{wi} (-\Delta p_{i,w})}{\eta_{pi}}$
Pe	$Pe_m^{(1)}$	$Pe_m - \frac{q_{wi} \Delta p_{e,wi}}{\eta_{pi}}$	Pe_m	$Pe_m - \frac{q_{wi} (-\Delta p_{i,w})}{\eta_{pi}}$

(1) Measured with the indoor pump not running.

Where:

Ph = NET heating capacity.

Pc = NET cooling capacity.

Pe = electrical power input.

Ph_m = is the gross heat capacity, expressed in Watts.

Pc_m = is the gross cool capacity, expressed in Watts.

q_{wi} = is the nominal liquid flow rate.

$\Delta p_{e,wi}$ = is the measured available external static pressure.

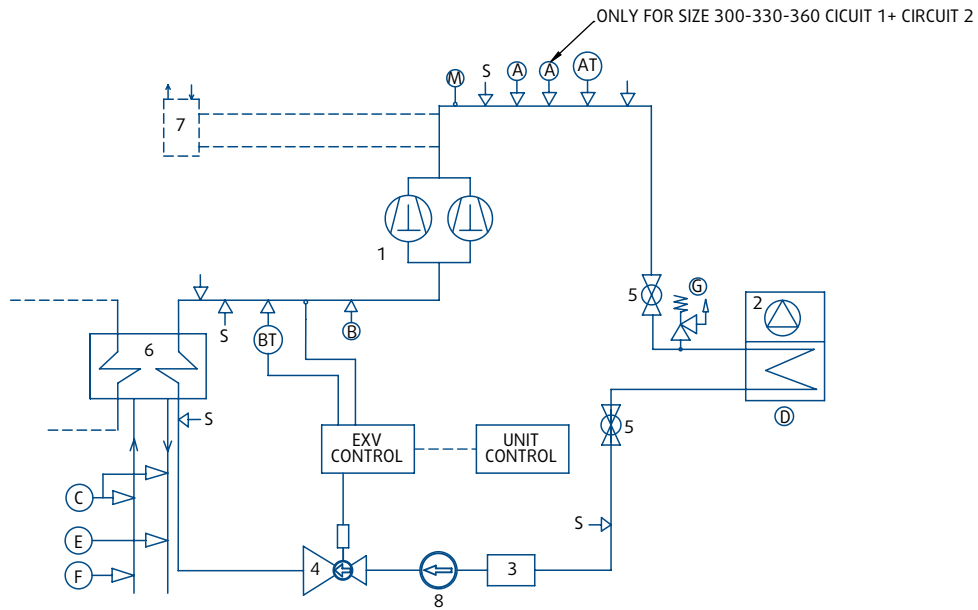
$\Delta p_{pi,wi}$ = is the measured internal static pressure difference.

η_{pi} = is the efficiency of the pump.

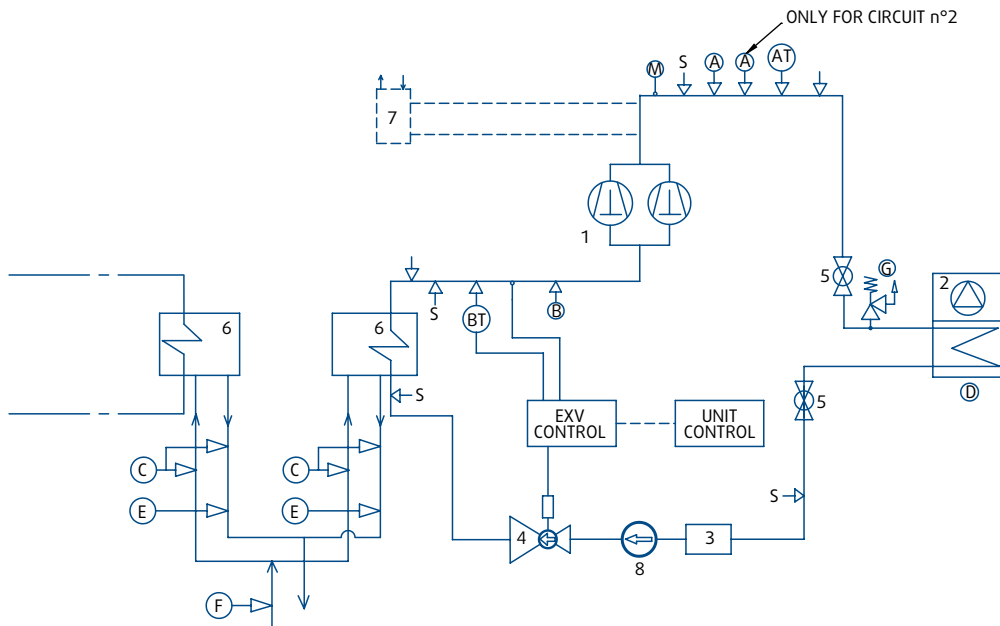
Reference: Guidelines for the declaration of performances according to EN14511:2011 (available a copy upon request for Syste mair customer).

Refrigerant Flow Diagram - SyScroll Air EVO CO

Syscroll Air EVO CO 140 170 200 300 330 360



Syscroll Air EVO CO 230 260 280



COMPONENTS

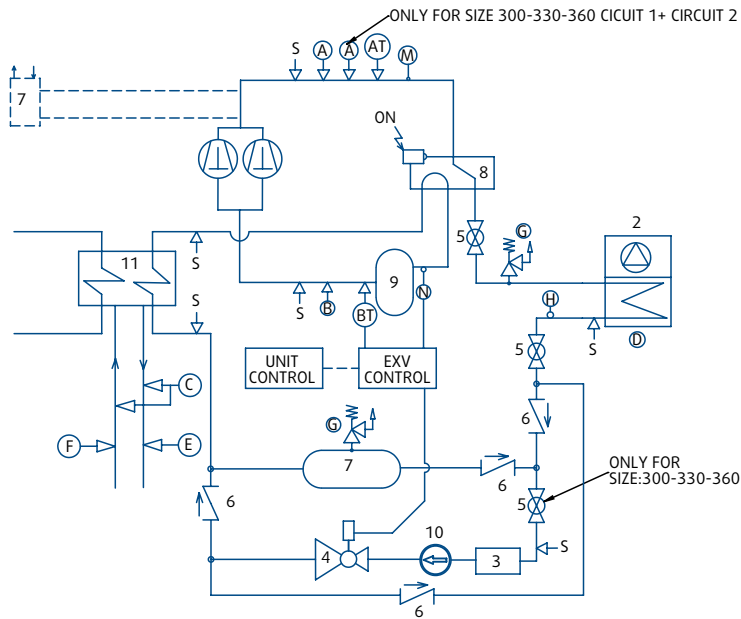
- 1 Tandem Scroll type compressor
- 2 Air cooled condenser
- 3 Filter drier
- 4 Electronic expansion valve
- 5 Globe valve
- 6 Heat exchanger
- 7 Desuperheater (optional)
- 8 Sight glass

SAFETY/CONTROL DEVICES

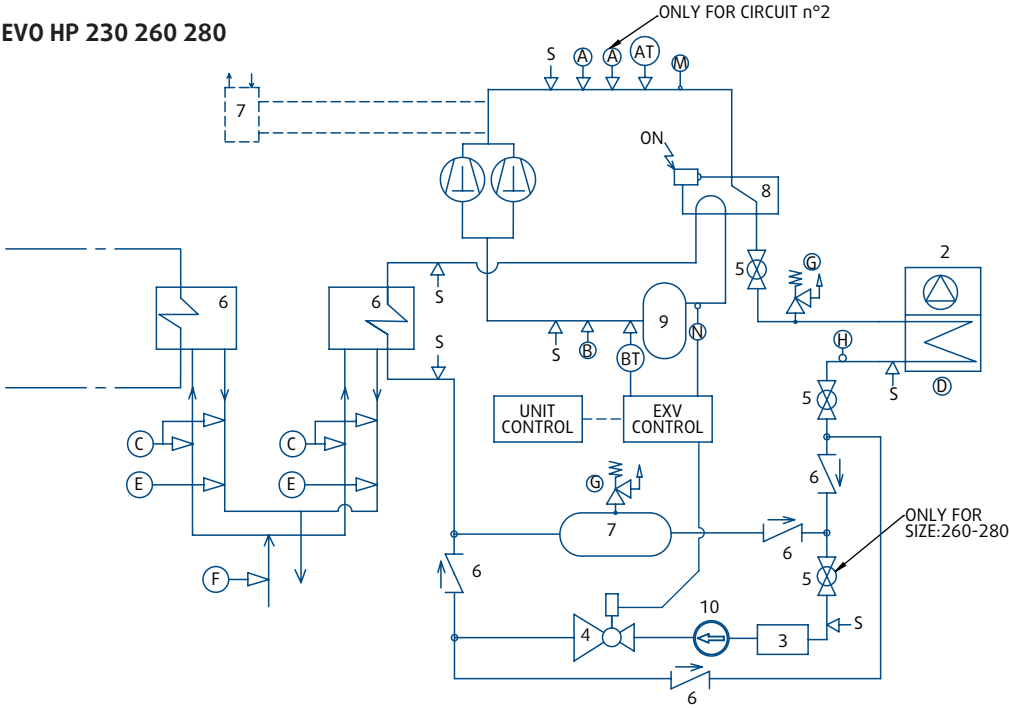
- A High pressure switch
- AT High pressure transducer
- B Low pressure switch
- BT Low pressure transducer
- C Water differential pressure switch
- D Air temperature sensor
- E Outlet water temperature sensor
- F Inlet water temperature sensor
- G PED pressure relief valve
- M Discharge temperature sensor
- S 5/16" valve connection (service only)
- ↓ Pipe connection with Shrader valve

Refrigerant Flow Diagram - SyScroll Air EVO HP

Syscroll Air EVO HP 140 170 200 300 330 360



Syscroll Air EVO HP 230 260 280



COMPONENTS

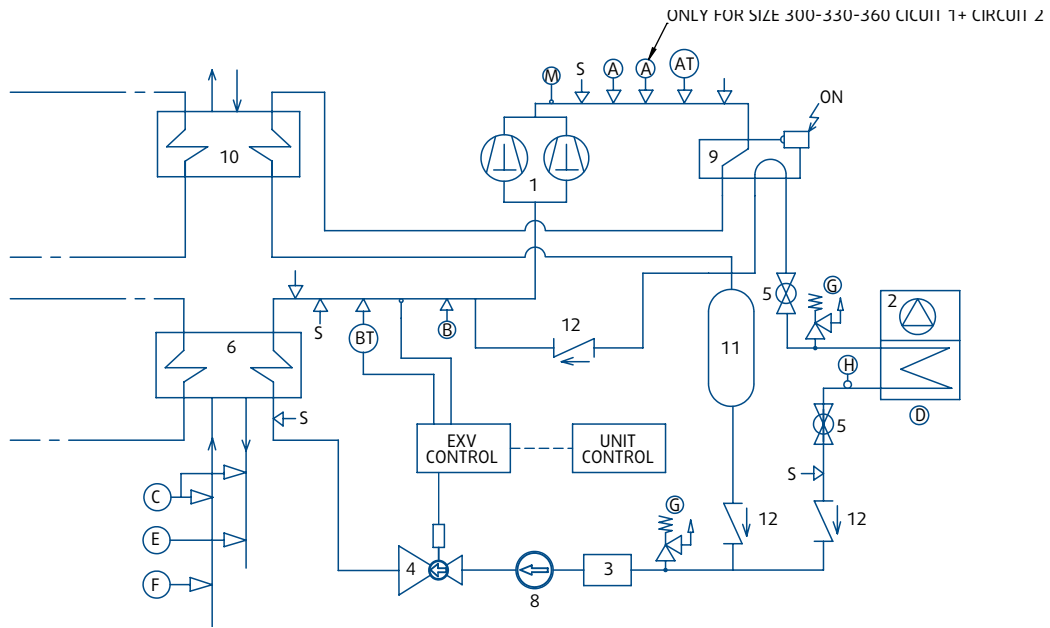
- 1 Tandem Scroll type compressor
- 2 Air cooled condenser
- 3 Filter drier
- 4 Electronic expansion valve
- 5 Globe valve
- 6 Check valve
- 7 Liquid receiver
- 8 Four-way valve
- 9 Suction accumulator
- 10 Sight glass
- 11 Heat exchanger
- 12 Desuperheater (optional)

SAFETY/CONTROL DEVICES

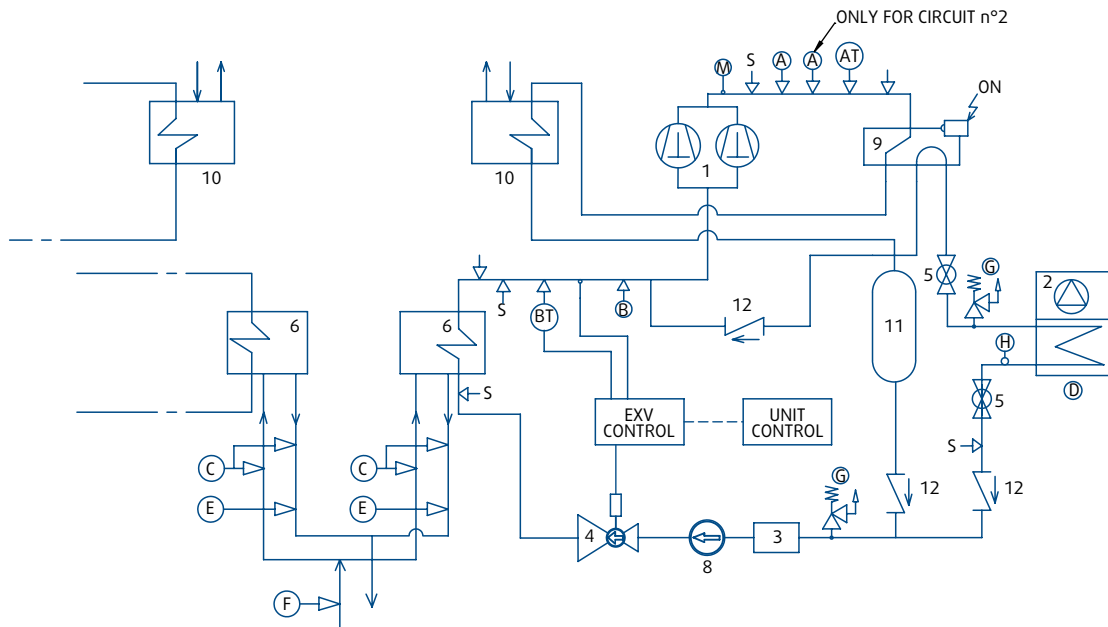
- A High pressure switch
- AT High pressure transducer
- B Low pressure switch
- BT Low pressure transducer
- C Water differential pressure switch
- D Air temperature sensor
- E Outlet water temperature sensor
- F Inlet water temperature sensor
- G PED pressure relief valve
- H Defrost temperature sensor
- M Discharge temperature sensor
- N Suction temperature sensor
- S 5/16" valve connection (service only)
- ↓ Pipe connection with Shrader valve

Refrigerant Flow Diagram - SyScroll Air EVO TR

Syscroll Air EVO TR 140 170 200 300 330 360



Syscroll Air EVO TR 230 260 280



COMPONENTS

- 1 Tandem Scroll type compressor
- 2 Air cooled condenser
- 3 Filter drier
- 4 Electronic expansion valve
- 5 Globe valve
- 6 Check valve
- 7 Liquid receiver
- 8 Four-way valve
- 9 Heat recovery
- 10 Heat exchanger

SAFETY/CONTROL DEVICES

- A High pressure switch
- AT High pressure transducer
- B Low pressure switch
- BT Low pressure transducer
- C Water differential pressure switch
- D Air temperature sensor
- E Outlet water temperature sensor
- F Inlet water temperature sensor
- G PED pressure relief valve
- H Defrost temperature sensor
- M Discharge temperature sensor
- S 5/16" valve connection (service only)
- ↓ Pipe connection with Shrader valve

Operating Limits - SyScroll Air EVO CO-HP Cooling Mode

Operating limits

SyScroll Air EVO CO				140		170		200		230	
				Min	Max	Min	Max	Min	Max	Min	Max
Chilled liquid	Liquid outlet temperature	Water	°C	+5 to +18							
		Water with glycol (*)	°C	-10 to +5							
		Temperature spread	K	3 to 7							
	Maximum operating pressure	bar	6								
Ambient air	Air entering temperature cooling	-	°C	+5 to +48							
		L	°C	+0 to +46							
		S	°C	-14 to +44							
		EC-HT	°C	-18 to +50							
	External static pressure	Standard fans	Pa	0							
		High pressure fans	Pa	<120							
Recommended system chilled water volume (2)			l	420	510	600	690				
Minimum capacity step			%	25	25	21	19				
Power supply voltage (4)			V	400 V / 3 Ø / 50 Hz (nominal)							

SyScroll Air EVO CO				260		280		300		330		360	
				Min	Max	Min	Max	Min	Max	Min	Max	Min	Max
Chilled liquid	Liquid outlet temperature	Water	°C	+5 to +18									
		Water with glycol (*)	°C	-10 to +5									
		Temperature spread	K	3 to 7									
	Maximum operating pressure	bar	6										
Ambient air	Air entering temperature cooling	-	°C	+5 to +48									
		L	°C	+0 to +46									
		S	°C	-14 to +44									
		EC-HT	°C	-18 to +50									
	External static pressure	Standard fans	Pa	0									
		High pressure fans	Pa	<120									
Recommended system chilled water volume (2)			l	780	840	900	990	1080					
Minimum capacity step			%	17	16	24	23	25					
Power supply voltage (4)			V	400 V / 3 Ø / 50 Hz (nominal)									

(*) For Liquid outlet temperature <0 °C provide Brine Version (available for CO; on request for HP).

- (1) Total unit flow rate and pressure drop are given for std unit. Caution: Minimum flow rates may only be used with brine solutions after reprogramming unit parameters.

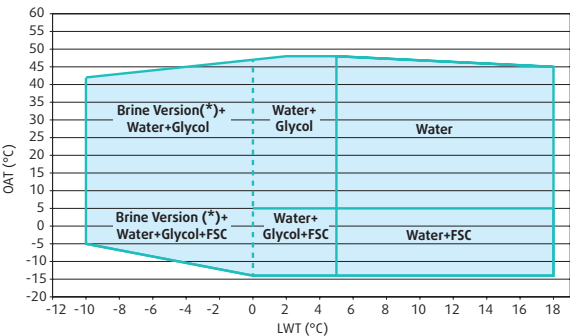
(2) Table shows minimum water / brine volume of system (about 3 lt/kW).

(3) HPS at 42 bar.

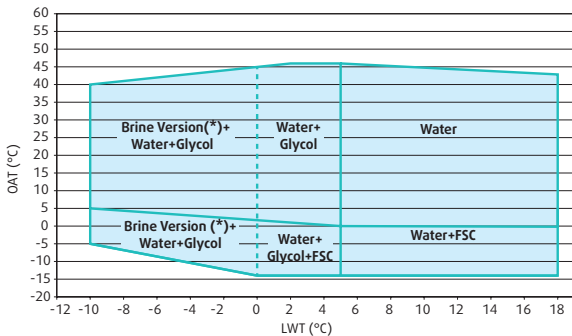
(4) Voltage 400V +/- 10%.

(5) Max. Evaporating Temperature + 15°C for SyScroll Air EVO RE condensing units.

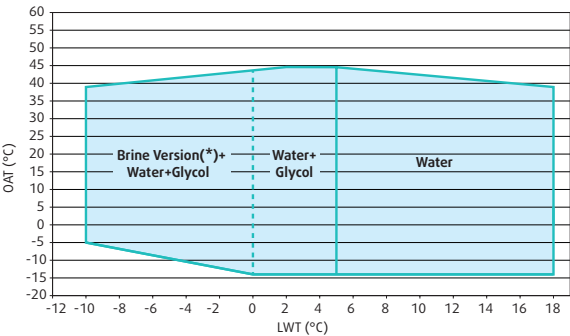
- version



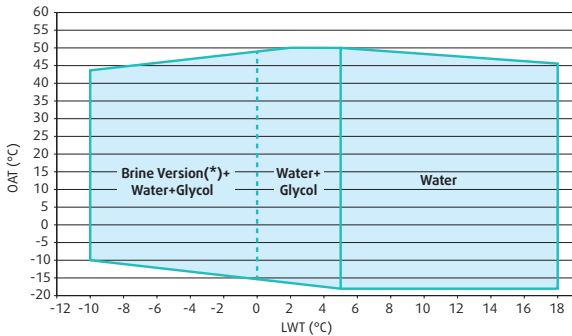
L version



S version



EC-HT version



Operating Limits - SyScroll Air EVO HP Heating Mode

Operating limits

SyScroll Air EVO HP				140		170		200		230	
				Min	Max	Min	Max	Min	Max	Min	Max
Chilled liquid	Liquid outlet temperature	Water	°C	+5 to +18							
		Water with glycol (*)	°C	-10 to +5							
		Temperature spread	K	3 to 7							
	Maximum operating pressure	bar	6								
Warmed Liquid	Liquid outlet temperature	Water	°C	+20 to +55							
		Temperature spread	°K	3 to 7							
	Maximum operating pressure	bar	6								
Ambient air	Air entering temp. Heating	- / L / S	°C	-10 to +20							
		Polar version	°C	-18 to +20							
		EC-HT	°C	-18 to +20							
Ambient air	Air entering temp. Cooling	- / L / S	°C	+5 to +48 / +0 to +46 / -14 to +44							
		EC-HT	°C	-18 to +50							
	External static pressure	Standard fans	Pa	0							
		High pressure fans	Pa	<120							
Recommended system chilled water volume (2)			l	420		510		600		690	
Minimum capacity step			%	25		25		21		19	
Power supply voltage (3)			V	400 V / 3 Ø / 50 Hz (nominal)							

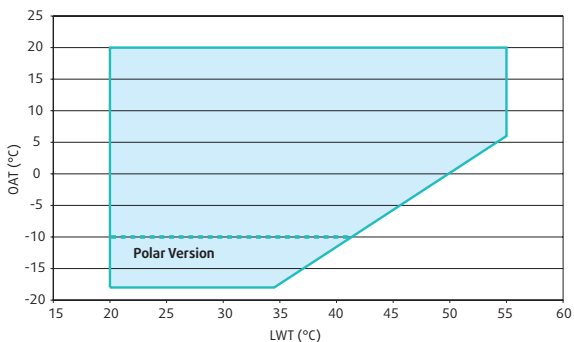
SyScroll Air EVO HP				260		280		300		330		360	
				Min	Max	Min	Max	Min	Max	Min	Max	Min	Max
Chilled liquid	Liquid outlet temperature	Water	°C	+5 to +18									
		Water with glycol (*)	°C	-10 to +5									
		Temperature spread	K	3 to 7									
	Maximum operating pressure	bar	6										
Warmed Liquid	Liquid outlet temperature	Water	°C	+20 to +55									
		Temperature spread	°K	3 to 7									
	Maximum operating pressure	bar	6										
Ambient air	Air entering temp. Heating	- / L / S	°C	-10 to +20									
		Polar version	°C	-18 to +20									
		EC-HT	°C	-18 to +20									
Ambient air	Air entering temp. Cooling	- / L / S	°C	+5 to +48 / +0 to +46 / -14 to +44									
		EC-HT	°C	-18 to +50									
	External static pressure	Standard fans	Pa	0									
		High pressure fans	Pa	<120									
Recommended system chilled water volume (2)			l	780		840		900		990		1080	
Minimum capacity step			%	17		16		24		23		25	
Power supply voltage (3)			V	400 V / 3 Ø / 50 Hz (nominal)									

(*) For Liquid outlet temperature <0 °C provide Brine Version (on request for HP).

(1) Total unit flow rate and pressure drop are given for std unit. Caution: Minimum flow rates may only be used with brine solutions after reprogramming unit parameters.

(2) Table shows minimum water / brine volume of system (about 3 lt/kW).

(3) Voltage 400V +/- 10%.



Correction Factors

Fouling factors

EVAPORATOR			CONDENSER		
Fouling factor (m ² .°C/kW)	Cooling capacity factor	Power input factor	Fouling factor (m ² .°C/kW)	Cooling capacity factor	Power input factor
0.044	1.000	1.000	0.044	1.000	1.000
0.088	0.987	0.995	0.088	0.987	1.023
0.176	0.964	0.985	0.176	0.955	1.068
0.352	0.915	0.962	0.352	0.910	1.135

Altitude factors

Altitude (m)	Cooling capacity factor	Power input factor
0	1.000	1.000
600	0.987	1.010
1200	0.973	1.020
1800	0.958	1.029
2400	0.943	1.038

System Water Volume

The minimum system water volume is calculated using the [minimum compressor running time](#) (1.5 minute for scroll compressor) and the [lower capacity step](#) (only one compressor running among the four compressors installed):

$$V = \frac{P \times t}{(n \times 25 \times \Delta T)}$$

Where

- V : Water volume (litre)
- P : Unit total cooling capacity (W)
- n : Number of compressor steps
- t : Compressor minimum running time (minute)
- ΔT : Evaporator temperature difference (°C)

With t = 1.5 minute, ΔT = 5 °C and n = 4, the minimum system water volume is about V = 3 litres/kW.

Physical Data - SyScroll Air EVO CO _ - (STD-EC-HPF)

Standard, Inverter Fans and High Pressure Fan versions

Model		140	170	200	230	260	280	300	330	360
Nominal cooling capacity (1)	kW	144,0	168,6	196,4	229,9	262,6	283,5	309,3	330,3	360,7
Input power (2)	kW	39,2	48,4	52,7	64,6	72,4	79,2	85,6	89,2	101,0
EER net		3,22	3,11	3,17	3,11	3,15	3,14	3,14	3,18	3,11
Energy Efficiency Class		A	A	A	A	A	A	A	A	A
ESEER net		3,96	3,81	4,00	4,00	4,05	4,02	4,01	4,10	4,00
EER net (*)		3,26	3,14	3,22	3,16	3,19	3,18	3,19	3,23	3,16
ESEER net (*)		4,16	4,00	4,20	4,22	4,27	4,24	4,21	4,26	4,20
EER net (**)		3,03	2,96	2,95	2,93	2,96	2,96	2,95	2,98	2,93
ESEER net (**)		3,81	3,63	3,84	3,84	3,93	3,86	3,85	4,02	3,84
Number of refrigerant circuits		2	2	2	2	2	2	2	2	2
Total capacity steps	%	25-50-75-100	25-50-75-100	21-43-71-100	19-38-69-100	17-39-67-100	16-37-68-100	24-48-71-100	23-50-73-100	25-50-75-100
Compressor										
Number		4	4	4	4	4	4	4	4	4
Type / Oil type		Scroll / Poe								
Evaporator										
Number		1	1	1	2	2	2	1	1	1
Type		Plate	Plate	Plate	Plate	Plate	Plate	Plate	Plate	Plate
Water flow	m ³ /h	24,9	29,1	33,9	39,7	45,3	48,9	53,4	57,0	62,2
Pressure drop	kPa	27	37	40	35	35	41	30	34	41
Water volume	l	11,4	11,4	13	21,1	23,4	23,4	32,4	32,4	32,4
Antifreeze Heater	W	130	130	130	130+130	130+130	130+130	130	130	130
Air cooled condenser										
Number of coils		2	2	5	5	6	6	7	8	8
Total coil face area per coil	m ²	4,6	4,6	2,4	2,4	2,4	2,4	2,4	2,4	2,4
Fans										
Number of fans		3	3	5	5	6	6	7	8	8
Nominal speed	rpm	900	900	900	900	900	900	900	900	900
Total airflow	m ³ /h	68.400	68.400	112.500	112.500	135.000	135.000	157.500	180.000	180.000
Total input power	kW	5,1	5,1	8,5	8,5	10,2	10,2	11,9	13,6	13,6
Total input power(*)	kW	4,5	4,5	7,5	7,5	9,0	9,0	10,5	12,0	12,0
Total input power(**)	kW	7,8	7,8	13,0	13,0	15,6	15,6	18,2	20,8	20,8
External static pressure	Pa	0 or 120 Pa (**)								
Water Connections (Evaporator)										
Type		Male GAS Threaded								
Inlet Diameter	inch	2"1/2	2"1/2	2"1/2	3"	3"	3"	3"	3"	3"
Outlet Diameter	inch	2"1/2	2"1/2	2"1/2	3"	3"	3"	3"	3"	3"
Water Connections (Desuperheater)										
Type		Male GAS Threaded								
Inlet Diameter / Outlet Diameter	inch	1" / 1"								
Weight										
Shipping	kg	1.139	1.183	1.477	1.592	1.738	1.738	2.237	2.264	2.274
Operating	kg	1.157	1.200	1.492	1.617	1.765	1.705	2.286	2.303	2.313
Additional weight										
EC-HPF versions	kg	30	30	50	50	60	60	70	80	80
Desuperheater versions	kg	8,5	8,5	17	17	19	19	23	23	23
With one pump	kg	45	45	45	55	55	55	65	65	65
With two pumps	kg	95	95	95	115	115	115	140	140	140
Dimensions										
Length	mm	4.000	4.000	3.500	3.500	3.500	3.500	4.550	4.550	4.550
Width	mm	1.100	1.100	2.150	2.150	2.150	2.150	2.150	2.150	2.150
Height	mm	2.600	2.600	2.600	2.600	2.600	2.600	2.600	2.600	2.600
Acoustical data										
Sound power level (3)	dB(A)	90	90	92	92	93	93	94	95	95
Sound pressure level - (10m) (4)	dB(A)	58	58	60	60	61	61	62	63	63

(1) Data refers to 7°C leaving chilled water temperature and 35°C condenser air temperature, NET value refer to EN14511.

(2) Input power (only compressors).

(3) Sound levels are at fully loaded conditions. Sound power level values refer to ISO standard 3744 and Eurovent 8/1.

(4) Sound pressure levels refer to ISO Standard 3744, parallelepiped shape.

(*) High Efficiency Units (EC) with inverter fans.

(**) HPF Units with high static pressure fans.

Physical Data - SyScroll Air EVO CO_L (STD-EC)

Standard and Inverter Fans versions

Model		140	170	200	230	260	280	300	330	360
Nominal cooling capacity (1)	kW	139,9	162,9	191,5	222,9	255,1	275,0	300,1	321,3	349,5
Input power (2)	kW	40,9	50,6	54,6	67,6	75,5	82,8	89,7	93,2	105,8
EER net		3,11	2,97	3,12	3,00	3,05	3,02	3,03	3,10	3,00
Energy Efficiency Class		A	B	A	B	B	B	B	A	B
ESEER net		4,04	3,91	4,08	4,08	4,11	4,10	4,09	4,14	4,08
EER net (*)		3,15	3,01	3,17	3,04	3,10	3,06	3,07	3,15	3,04
ESEER net (*)		4,24	4,10	4,28	4,30	4,34	4,33	4,29	4,31	4,28
Number of refrigerant circuits		2	2	2	2	2	2	2	2	2
Total capacity steps	%	25-50-75-100	25-50-75-100	21-43-71-100	19-38-69-100	17-39-67-100	16-37-68-100	24-48-71-100	23-50-73-100	25-50-75-100
Compressor										
Number		4	4	4	4	4	4	4	4	4
Type / Oil type		Scroll / Poe								
Evaporator										
Number		1	1	1	2	2	2	1	1	1
Type		Plate	Plate	Plate	Plate	Plate	Plate	Plate	Plate	Plate
Water flow	m ³ /h	24,1	28,1	33,1	38,5	44,0	47,5	51,8	55,4	60,3
Pressure drop	kPa	26	35	38	33	33	38	28	32	38
Water volume	l	11,4	11,4	13	21,1	23,4	23,4	32,4	32,4	32,4
Antifreeze Heater	W	130	130	130	130+130	130+130	130+130	130	130	130
Air cooled condenser										
Number of coils		2	2	5	5	6	6	7	8	8
Total coil face area per coil	m ²	4,6	4,6	2,4	2,4	2,4	2,4	2,4	2,4	2,4
Fans										
Number of fans		3	3	5	5	6	6	7	8	8
Nominal speed	rpm	700	700	700	700	700	700	700	700	700
Total airflow	m ³ /h	55.000	55.000	92.500	92.500	111.000	111.000	129.500	148.000	148.000
Total input power	kW	3,6	3,6	6,0	6,0	7,2	7,2	8,4	9,6	9,6
Water Connections (Evaporator)										
Type		Male GAS Threaded								
Inlet Diameter	inch	2"1/2	2"1/2	2"1/2	3"	3"	3"	3"	3"	3"
Outlet Diameter	inch	2"1/2	2"1/2	2"1/2	3"	3"	3"	3"	3"	3"
Water Connections (Desuperheater)										
Type		Male GAS Threaded								
Inlet Diameter	inch	1"	1"	1"	1"	1"	1"	1"	1"	1"
Outlet Diameter	inch	1"	1"	1"	1"	1"	1"	1"	1"	1"
Weight										
Shipping	kg	1.139	1.183	1.477	1.592	1.738	1.738	2.237	2.264	2.274
Operating	kg	1.157	1.200	1.492	1.617	1.765	1.765	2.286	2.303	2.313
Additional weight										
EC	kg	30	30	50	50	60	60	70	80	80
Desuperheater versions	kg	8,5	8,5	17	17	19	19	23	23	23
With one pump	kg	45	45	45	55	55	55	65	65	65
With two pumps	kg	95	95	95	115	115	115	140	140	140
Dimensions										
Length	mm	4.000	4.000	3.500	3.500	3.500	3.500	4.550	4.550	4.550
Width	mm	1.100	1.100	2.150	2.150	2.150	2.150	2.150	2.150	2.150
Height	mm	2.600	2.600	2.600	2.600	2.600	2.600	2.600	2.600	2.600
Acoustical data										
Sound power level (3)	dB(A)	85	85	87	87	88	88	89	90	90
Sound pressure level - (10m) (4)	dB(A)	53	53	55	55	56	56	57	58	58

(1) Data refers to 7°C leaving chilled water temperature and 35°C condenser air temperature, NET value refer to EN14511.

(2) Input power (only compressors).

(3) Sound levels are at fully loaded conditions. Sound power level values refer to ISO standard 3744 and Eurovent 8/1.

(4) Sound pressure levels refer to ISO Standard 3744, parallelepiped shape.

(*) High Efficiency Units (EC) with inverter fans.

Physical Data - SyScroll Air EVO CO_S - (STD-EC)

Standard and Inverter Fans versions

Model		140	170	200	230	260	280	300	330	360
Nominal cooling capacity (1)	kW	132,5	152,9	182,3	209,4	241,0	258,7	282,5	304,3	328,5
Input power (2)	kW	43,8	54,1	58,2	73,4	81,8	90,1	97,6	100,8	115,2
EER net		2,82	2,66	2,88	2,66	2,74	2,69	2,70	2,80	2,66
Energy Efficiency Class		C	D	C	C	C	D	C	C	C
ESEER net		4,12	4,00	4,16	4,16	4,17	4,18	4,17	4,18	4,16
EER net (*)		2,86	2,69	2,92	2,70	2,78	2,72	2,74	2,84	2,70
ESEER net (*)		4,33	4,20	4,37	4,39	4,40	4,41	4,38	4,35	4,37
Number of refrigerant circuits		2	2	2	2	2	2	2	2	2
Total capacity steps	%	25-50-75-100	25-50-75-100	21-43-71-100	19-38-69-100	17-39-67-100	16-37-68-100	24-48-71-100	23-50-73-100	25-50-75-100
Compressor										
Number		4	4	4	4	4	4	4	4	4
Type / Oil type		Scroll / Poe								
Evaporator										
Number		1	1	1	2	2	2	1	1	1
Type		Plate	Plate	Plate	Plate	Plate	Plate	Plate	Plate	Plate
Water flow	m ³ /h	22,9	26,4	31,5	36,1	41,6	44,6	48,7	52,5	56,7
Pressure drop	kPa	23	31	35	29	29	34	25	29	34
Water volume	l	11,4	11,4	13	21,1	23,4	23,4	32,4	32,4	32,4
Antifreeze Heater	W	130	130	130	130+130	130+130	130+130	130	130	130
Air cooled condenser										
Number of coils		2	2	5	5	6	6	7	8	8
Total coil face area per coil	m ²	4,6	4,6	2,4	2,4	2,4	2,4	2,4	2,4	2,4
Fans										
Number of fans		3	3	5	5	6	6	7	8	8
Nominal speed	rpm	550	550	550	550	550	550	550	550	550
Total airflow	m ³ /h	44.000	44.000	72.500	72.500	87.000	87.000	101.500	116.000	116.000
Total input power	kW	2,7	2,7	4,5	4,5	5,4	5,4	6,3	7,2	7,2
Water Connections (Evaporator)										
Type		Male GAS Threaded								
Inlet Diameter	inch	2"1/2	2"1/2	2"1/2	3"	3"	3"	3"	3"	3"
Outlet Diameter	inch	2"1/2	2"1/2	2"1/2	3"	3"	3"	3"	3"	3"
Water Connections (Desuperheater)										
Type		Male GAS Threaded								
Inlet Diameter	inch	1"	1"	1"	1"	1"	1"	1"	1"	1"
Outlet Diameter	inch	1"	1"	1"	1"	1"	1"	1"	1"	1"
Weight										
Shipping	kg	1.144	1.188	1.482	1.597	1.743	1.743	2.242	2.269	2.279
Operating	kg	1.162	1.205	1.497	1.622	1.770	1.770	2.291	2.308	2.318
Additional weight										
EC	kg	30	30	50	50	60	60	70	80	80
Desuperheater versions	kg	8,5	8,5	17	17	19	19	23	23	23
With one pump	kg	45	45	45	55	55	55	65	65	65
With two pumps	kg	95	95	95	115	115	115	140	140	140
Dimensions										
Length	mm	4.000	4.000	3.500	3.500	3.500	3.500	4.550	4.550	4.550
Width	mm	1.100	1.100	2.150	2.150	2.150	2.150	2.150	2.150	2.150
Height	mm	2.600	2.600	2.600	2.600	2.600	2.600	2.600	2.600	2.600
Acoustical data										
Sound power level (3)	dB(A)	79	79	82	82	83	83	85	86	86
Sound pressure level - (10m) (4)	dB(A)	47	47	50	50	51	51	53	54	54

(1) Data refers to 7°C leaving chilled water temperature and 35°C condenser air temperature, NET value refer to EN14511.

(2) Input power (only compressors).

(3) Sound levels are at fully loaded conditions. Sound power level values refer to ISO standard 3744 and Eurovent 8/1.

(4) Sound pressure levels refer to ISO Standard 3744, parallelepiped shape.

(*) High Efficiency Units (EC) with inverter fans.

Physical Data - SyScroll Air EVO CO_HT

High Temperature version

Model		140	170	200	230	260	280	300	330	360
Nominal cooling capacity (1)	kW	145,3	170,2	197,9	232,0	264,7	286,0	312,0	332,9	363,8
Input power (2)	kW	38,7	47,9	52,2	63,7	71,4	78,2	84,5	88,1	99,7
EER net		3,09	3,02	3,00	2,99	3,01	3,02	3,01	3,03	2,99
Energy Efficiency Class		B	B	B	B	B	B	B	B	B
ESEER net		3,88	3,72	3,92	3,92	3,99	3,94	3,93	4,06	3,92
Number of refrigerant circuits		2	2	2	2	2	2	2	2	2
Total capacity steps	%	25-50-75-100	25-50-75-100	21-43-71-100	19-38-69-100	17-39-67-100	16-37-68-100	24-48-71-100	23-50-73-100	25-50-75-100
Compressor										
Number		4	4	4	4	4	4	4	4	4
Type / Oil type		Scroll / Poe								
Evaporator										
Number		1	1	1	2	2	2	1	1	1
Type		Plate	Plate	Plate	Plate	Plate	Plate	Plate	Plate	Plate
Water flow	m ³ /h	25,1	29,4	34,2	40,0	45,7	49,4	53,8	57,4	62,8
Pressure drop	kPa	28	38	41	36	36	42	31	35	42
Water volume	l	11,4	11,4	13	21,1	23,4	23,4	32,4	32,4	32,4
Antifreeze Heater	W	130	130	130	130+130	130+130	130+130	130	130	130
Air cooled condenser										
Number of coils		2	2	5	5	6	6	7	8	8
Total coil face area per coil	m ²	4,6	4,6	2,4	2,4	2,4	2,4	2,4	2,4	2,4
Fans										
Number of fans		3	3	5	5	6	6	7	8	8
Nominal speed	rpm	1.100	1.100	1.100	1.100	1.100	1.100	1.100	1.100	1.100
Total airflow	m ³ /h	80.500	80.500	132.500	132.500	159.000	159.000	185.500	212.000	212.000
Total input power	kW	7,8	7,8	13,0	13,0	15,6	15,6	18,2	20,8	20,8
Water Connections (Evaporator)										
Type		Male GAS Threaded								
Inlet Diameter	inch	2"1/2	2"1/2	2"1/2	3"	3"	3"	3"	3"	3"
Outlet Diameter	inch	2"1/2	2"1/2	2"1/2	3"	3"	3"	3"	3"	3"
Water Connections (Desuperheater)										
Type		Male GAS Threaded								
Inlet Diameter	inch	1"	1"	1"	1"	1"	1"	1"	1"	1"
Outlet Diameter	inch	1"	1"	1"	1"	1"	1"	1"	1"	1"
Weight										
Shipping	kg	1.169	1.213	1.527	1.642	1.798	1.798	2.307	2.344	2.354
Operating	kg	1.187	1.230	1.542	1.667	1.825	1.825	2.356	2.383	2.393
Additional weight										
Desuperheater versions	kg	8,5	8,5	17	17	19	19	23	23	23
With one pump	kg	45	45	45	55	55	55	65	65	65
With two pumps	kg	95	95	95	115	115	115	140	140	140
Dimensions										
Length	mm	4.000	4.000	3.500	3.500	3.500	3.500	4.550	4.550	4.550
Width	mm	1.100	1.100	2.150	2.150	2.150	2.150	2.150	2.150	2.150
Height	mm	2.600	2.600	2.600	2.600	2.600	2.600	2.600	2.600	2.600
Acoustical data										
Sound power level (3)	dB(A)	92	92	94	94	96	96	97	98	98
Sound pressure level - (10m) (4)	dB(A)	60	60	62	62	64	64	65	66	66

(1) Data refers to 7°C leaving chilled water temperature and 35°C condenser air temperature, NET value refer to EN14511.

(2) Input power (only compressors).

(3) Data refers to BLN version with special inverter fans at variable speed.

(4) Sound levels are at max air flow rate conditions (High temperature version unit). Sound power level values refer to ISO standard 3744 and Eurovent 8/1.

(5) Sound pressure levels refer to ISO Standard 3744, parallelepiped shape.

Physical Data - SyScroll Air EVO HP _ - (STD-EC-HPF)

Standard, Inverter Fans and High Pressure Fan versions

Model		140	170	200	230	260	280	300	330	360
Nominal cooling capacity (1)	kW	136,7	154,5	181,3	213,6	243,7	261,1	287,8	307,4	340,5
Input power (3)	kW	39,5	49,0	52,8	64,0	72,8	79,7	85,9	89,1	102,3
EER net		3,03	2,83	2,93	2,92	2,91	2,88	2,92	2,97	2,91
Energy Efficiency Class		B	C	B	B	B	C	B	B	B
ESEER net		3,52	3,47	3,60	3,71	3,71	3,65	3,60	3,64	3,65
EER net (*)		3,08	2,86	2,97	2,96	2,95	2,91	2,96	3,02	2,95
ESEER net (*)		3,62	3,57	3,71	3,83	3,83	3,78	3,71	3,71	3,76
EER net (**)		2,86	2,69	2,73	2,75	2,73	2,71	2,75	2,78	2,74
ESEER net (**)		3,38	3,30	3,46	3,56	3,60	3,51	3,46	3,57	3,51
Nominal heating capacity (2)	kW	144,9	165,7	200,1	229,0	262,3	279,6	305,6	327,2	361,4
Input power (3)	kW	39,2	45,9	52,7	61,7	70,6	76,1	82,2	87,5	97,8
COP net		3,23	3,21	3,22	3,23	3,21	3,20	3,22	3,21	3,21
Energy Efficiency Class		A	A	A	A	A	A	A	A	A
COP net (*)		3,28	3,25	3,28	3,27	3,26	3,25	3,27	3,26	3,26
COP net (**)		3,05	3,05	3,01	3,03	3,01	3,02	3,02	2,99	3,02
Nominal heating capacity (6)	kW	148,6	170,0	207,0	233,8	268,4	285,6	311,0	333,9	367,9
Input power (3)	kW	31,5	37,8	43,3	49,4	56,6	61,1	65,0	69,0	77,8
COP net		4,00	3,90	3,93	3,98	3,96	3,95	4,00	3,99	3,97
Number of refrigerant circuits		2	2	2	2	2	2	2	2	2
Total capacity steps	%	25-50-75-100	25-50-75-100	21-43-71-100	19-38-69-100	17-39-67-100	16-37-68-100	24-48-71-100	23-50-73-100	25-50-75-100
Compressor										
Number		4	4	4	4	4	4	4	4	4
Type / Oil type		Scroll / Poe								
Evaporator										
Number		1	1	1	2	2	2	1	1	1
Type		Plate	Plate	Plate	Plate	Plate	Plate	Plate	Plate	Plate
Water flow Cooling	m ³ /h	23,6	26,7	31,3	36,9	42,1	45,1	49,6	53,0	58,8
Water pressure drop Cooling	kPa	25	31	34	30	30	35	26	30	37
Water flow Heating (2)	m ³ /h	24,8	28,4	34,3	39,3	45,0	47,9	52,4	56,1	62,0
Water pressure drop Heating (2)	kPa	27	36	41	34	34	39	29	33	41
Water flow Heating (6)	m ³ /h	25,5	29,1	35,5	40,1	46,0	48,9	53,3	57,3	63,1
Water pressure drop Heating (6)	kPa	29	37	44	36	36	41	30	35	42
Water volume	l	11,4	11,4	13	21,1	23,4	23,4	32,4	32,4	32,4
Antifreeze Heater	W	130	130	130	130+130	130+130	130+130	130	130	130
Air cooled condenser										
Number of coils		2	2	5	5	6	6	7	8	8
Total coil face area per coil	m ²	4,6	4,6	2,4	2,4	2,4	2,4	2,4	2,4	2,4
Fans										
Number of fans		3	3	5	5	6	6	7	8	8
Nominal speed	rpm	900	900	900	900	900	900	900	900	900
Total airflow	m ³ /h	68.400	68.400	112.500	112.500	135.000	135.000	157.500	180.000	180.000
Total input power	kW	5,1	5,1	8,5	8,5	10,2	10,2	11,9	13,6	13,6
Total input power(*)	kW	4,5	4,5	7,5	7,5	9,0	9,0	10,5	12,0	12,0
Total input power(**)	kW	7,8	7,8	13,0	13,0	15,6	15,6	18,2	20,8	20,8
External static pressure	Pa	0 or 120 Pa (**)								
Water Connections (Evaporator)										
Type		Male GAS Threaded								
Inlet Diameter	inch	2"1/2	2"1/2	2"1/2	3"	3"	3"	3"	3"	3"
Outlet Diameter	inch	2"1/2	2"1/2	2"1/2	3"	3"	3"	3"	3"	3"
Water Connections (Desuperheater)										
Type		Male GAS Threaded								
Inlet Diameter / Outlet Diameter	inch	1" / 1"								
Weight										
Shipping	kg	1.294	1.337	1.843	1.967	2.188	2.198	2.767	2.860	2.870
Operating	kg	1.312	1.355	1.858	1.993	2.216	2.226	2.806	2.899	2.909
Additional weight										
EC-HPF versions	kg	30	30	50	50	60	60	70	80	80
Desuperheater versions	kg	8,5	8,5	17	17	19	19	23	23	23
With one pump	kg	45	45	45	55	55	55	65	65	65
With two pumps	kg	95	95	95	115	115	115	140	140	140
Dimensions										
Length	mm	4.000	4.000	3.500	3.500	3.500	3.500	4.550	4.550	4.550
Width	mm	1.100	1.100	2.150	2.150	2.150	2.150	2.150	2.150	2.150
Height	mm	2.600	2.600	2.600	2.600	2.600	2.600	2.600	2.600	2.600
Acoustical data										
Sound power level (4)	dB(A)	90	90	92	92	93	93	94	95	95
Sound pressure level - (10m) (5)	dB(A)	58	58	60	60	61	61	62	63	63

(1) Data refers to 7°C leaving chilled water temperature and 35°C condenser air temperature, NET value refer to EN14511.

(2) Data refers to 45°C leaving warm water temperature and 7°C ambient coil air temperature with 87% R.H., NET value refer to EN14511.

(3) Input power (only compressors).

(4) Sound levels are at fully loaded conditions. Sound power level values refer to ISO standard 3744 and Eurovent 8/1.

(5) Sound pressure levels refer to ISO Standard 3744, parallelepiped shape.

(6) Data refers to 35 °C leaving warm water temperature and 7 °C ambient coil air temperature with 87% R.H., NET value refer to EN14511, according to DM 28_12_12.

(*) High Efficiency Units (EC) with inverter fans.

(**) HPF Units with high static pressure fans.

Physical Data - SyScroll Air EVO HP_L (STD-EC)

Standard and Inverter Fans versions

Model		140	170	200	230	260	280	300	330	360
Nominal cooling capacity (1)	kW	132,9	149,3	176,9	207,2	236,9	253,3	279,4	299,1	330,1
Input power (3)	kW	41,1	51,1	54,7	67,0	75,9	83,3	89,9	92,9	107,0
EER net		2,94	2,70	2,89	2,81	2,83	2,77	2,82	2,90	2,81
Energy Efficiency Class		B	C	C	C	C	C	C	C	C
ESEER net		3,59	3,55	3,67	3,78	3,76	3,72	3,67	3,67	3,72
EER net (*)		2,98	2,73	2,93	2,85	2,87	2,81	2,86	2,94	2,84
Energy Efficiency Class (*)		B	C	B	C	C	C	C	B	C
ESEER net (*)		3,69	3,66	3,78	3,91	3,89	3,85	3,78	3,75	3,83
Nominal heating capacity (2)	kW	141,0	162,1	193,7	223,7	255,6	272,3	299,4	320,8	353,9
Input power (3)	kW	39,5	46,2	53,2	62,3	71,3	76,8	83,5	89,0	99,3
COP net		3,24	3,22	3,23	3,24	3,22	3,21	3,23	3,22	3,22
Energy Efficiency Class		A	A	A	A	A	A	A	A	A
Nominal heating capacity (6)	kW	144,2	165,8	199,8	227,8	260,8	277,3	303,8	326,4	359,2
Input power (3)	kW	31,7	37,9	43,6	49,8	57,1	61,6	66,0	70,4	78,9
COP net		4,03	3,93	3,96	4,03	4,00	3,97	4,04	4,03	4,00
COP net (*)		3,32	3,30	3,32	3,32	3,31	3,29	3,31	3,31	3,30
Number of refrigerant circuits		2	2	2	2	2	2	2	2	2
Total capacity steps	%	25-50-75-100	25-50-75-100	21-43-71-100	19-38-69-100	17-39-67-100	16-37-68-100	24-48-71-100	23-50-73-100	25-50-75-100
Compressor										
Number		4	4	4	4	4	4	4	4	4
Type / Oil type		Scroll / Poe								
Evaporator										
Number		1	1	1	2	2	2	1	1	1
Type		Plate	Plate	Plate	Plate	Plate	Plate	Plate	Plate	Plate
Water flow Cooling	m ³ /h	22,9	25,8	30,5	35,7	40,9	43,7	48,2	51,6	57,0
Water pressure drop Cooling	kPa	23	29	33	28	28	33	25	28	34
Water flow Heating (2)	m ³ /h	24,2	27,8	33,2	38,4	43,8	46,7	51,4	55,0	60,7
Water pressure drop Heating (2)	kPa	26	34	39	33	33	37	28	32	39
Water flow Heating (6)	m ³ /h	24,7	28,4	34,2	39,0	44,7	47,5	52,1	56,0	61,6
Water pressure drop Heating (6)	kPa	27	36	41	34	34	39	29	33	40
Water volume	l	11,4	11,4	13	21,1	23,4	23,4	32,4	32,4	32,4
Antifreeze Heater	W	130	130	130	130+130	130+130	130+130	130	130	130
Air cooled condenser										
Number of coils		2	2	5	5	6	6	7	8	8
Total coil face area per coil	m ²	4,6	4,6	2,4	2,4	2,4	2,4	2,4	2,4	2,4
Fans										
Number of fans		3	3	5	5	6	6	7	8	8
Nominal speed	rpm	700	700	700	700	700	700	700	700	700
Total airflow	m ³ /h	55.000	55.000	92.500	92.500	111.000	111.000	129.500	148.000	148.000
Total input power	kW	3,6	3,6	6,0	6,0	7,2	7,2	8,4	9,6	9,6
Water Connections (Evaporator)										
Type		Male GAS Threaded								
Inlet Diameter	inch	2"1/2	2"1/2	2"1/2	3"	3"	3"	3"	3"	3"
Outlet Diameter	inch	2"1/2	2"1/2	2"1/2	3"	3"	3"	3"	3"	3"
Water Connections (Desuperheater)										
Type		Male GAS Threaded								
Inlet Diameter	inch	1"	1"	1"	1"	1"	1"	1"	1"	1"
Outlet Diameter	inch	1"	1"	1"	1"	1"	1"	1"	1"	1"
Weight										
Shipping	kg	1.294	1.337	1.843	1.967	2.188	2.198	2.767	2.860	2.870
Operating	kg	1.312	1.355	1.858	1.993	2.216	2.226	2.806	2.899	2.909
Additional weight										
EC	kg	30	30	50	50	60	60	70	80	80
Desuperheater versions	kg	8,5	8,5	17	17	19	19	23	23	23
With one pump	kg	45	45	45	55	55	55	65	65	65
With two pumps	kg	95	95	95	115	115	115	140	140	140
Dimensions										
Length	mm	4.000	4.000	3.500	3.500	3.500	3.500	4.550	4.550	4.550
Width	mm	1.100	1.100	2.150	2.150	2.150	2.150	2.150	2.150	2.150
Height	mm	2.600	2.600	2.600	2.600	2.600	2.600	2.600	2.600	2.600
Acoustical data										
Sound power level (4)	dB(A)	79	79	82	82	83	83	85	86	86
Sound pressure level - (10m) (5)	dB(A)	47	47	50	50	51	51	53	54	54

(1) Data refers to 7°C leaving chilled water temperature and 35°C condenser air temperature, NET value refer to EN14511.

(2) Data refers to 45°C leaving warm water temperature and 7°C ambient coil air temperature with 87% R.H., NET value refer to EN14511.

(3) Input power (only compressors).

(4) Sound levels are at fully loaded conditions. Sound power level values refer to ISO standard 3744 and Eurovent 8/1.

(5) Sound pressure levels refer to ISO Standard 3744, parallelepiped shape.

(6) Data refers to 35 °C leaving warm water temperature and 7 °C ambient coil air temperature with 87% R.H., NET value refer to EN14511, according to DM 28_12_12.

(*) High Efficiency Units (EC) with inverter fans.

Physical Data - SyScroll Air EVO HP_S (STD-EC)

Standard and Inverter Fans versions

Model		140	170	200	230	260	280	300	330	360
Nominal cooling capacity (1)	kW	125,9	140,3	168,5	194,7	224,0	238,5	263,3	283,5	310,5
Input power (3)	kW	44,0	54,6	58,2	72,6	82,0	90,3	97,6	100,2	116,2
EER net		2,67	2,43	2,66	2,51	2,54	2,47	2,52	2,62	2,50
Energy Efficiency Class		D	D	D	D	D	D	D	D	D
ESEER net		3,66	3,64	3,75	3,85	3,82	3,80	3,75	3,71	3,80
EER net (*)		2,71	2,45	2,70	2,54	2,58	2,50	2,55	2,66	2,53
Energy Efficiency Class (*)		C	D	C	D	D	D	D	D	D
ESEER net (*)		3,77	3,75	3,86	3,99	3,95	3,93	3,86	3,79	3,91
Nominal heating capacity (2)	kW	138,5	159,5	189,8	219,8	250,8	267,1	294,7	315,0	348,9
Input power (3)	kW	39,5	46,1	53,4	62,4	71,4	76,7	84,0	89,4	99,7
COP net		3,27	3,26	3,27	3,27	3,25	3,24	3,26	3,25	3,25
Energy Efficiency Class		A	A	A	A	A	A	A	A	A
Nominal heating capacity (6)	kW	141,3	162,7	195,3	223,3	255,3	271,3	298,3	319,7	353,2
Input power (3)	kW	31,7	37,8	43,7	49,9	57,2	61,6	66,3	70,8	79,3
COP net		4,05	3,96	3,98	4,05	4,02	4,00	4,06	4,05	4,03
Number of refrigerant circuits		2	2	2	2	2	2	2	2	2
Total capacity steps	%	25-50-75-100	25-50-75-100	21-43-71-100	19-38-69-100	17-39-67-100	16-37-68-100	24-48-71-100	23-50-73-100	25-50-75-100
Compressor										
Number		4	4	4	4	4	4	4	4	4
Type / Oil type		Scroll / Poe								
Evaporator										
Number		1	1	1	2	2	2	1	1	1
Type		Plate	Plate	Plate	Plate	Plate	Plate	Plate	Plate	Plate
Water flow Cooling	m ³ /h	21,7	24,2	29,1	33,6	38,6	41,1	45,4	48,9	53,6
Water pressure drop Cooling	kPa	21	26	30	25	25	29	22	25	30,3
Water flow Heating (2)	m ³ /h	23,8	27,3	32,5	37,7	43,0	45,8	50,6	54,0	59,8
Water pressure drop Heating (2)	kPa	25	33	37	32	32	36	27	31	38
Water flow Heating (6)	m ³ /h	24,2	27,9	33,5	38,3	43,8	46,5	51,2	54,8	60,5
Water pressure drop Heating (6)	kPa	26	34	39	33	33	37	28	32	39
Water volume	l	11,4	11,4	13	21,1	23,4	23,4	32,4	32,4	32,4
Antifreeze Heater	W	130	130	130	130+130	130+130	130+130	130	130	130
Air cooled condenser										
Number of coils		2	2	5	5	6	6	7	8	8
Total coil face area per coil	m ²	4,6	4,6	2,4	2,4	2,4	2,4	2,4	2,4	2,4
Fans										
Number of fans		3	3	5	5	6	6	7	8	8
Nominal speed	rpm	550	550	550	550	550	550	550	550	550
Total airflow	m ³ /h	44.000	44.000	72.500	72.500	87.000	87.000	101.500	116.000	116.000
Total input power	kW	2,7	2,7	4,5	4,5	5,4	5,4	6,3	7,2	7,2
Water Connections (Evaporator)										
Type		Male GAS Threaded								
Inlet Diameter	inch	2"1/2	2"1/2	2"1/2	3"	3"	3"	3"	3"	3"
Outlet Diameter	inch	2"1/2	2"1/2	2"1/2	3"	3"	3"	3"	3"	3"
Water Connections (Desuperheater)										
Type		Male GAS Threaded								
Inlet Diameter	inch	1"	1"	1"	1"	1"	1"	1"	1"	1"
Outlet Diameter	inch	1"	1"	1"	1"	1"	1"	1"	1"	1"
Weight										
Shipping	kg	1.299	1.342	1.848	1.972	2.193	2.203	2.772	2.865	2.875
Operating	kg	1.317	1.360	1.863	1.998	2.221	2.231	2.811	2.904	2.914
Additional weight										
EC	kg	30	30	50	50	60	60	70	80	80
Desuperheater versions	kg	8,5	8,5	17	17	19	19	23	23	23
With one pump	kg	45	45	45	55	55	55	65	65	65
With two pumps	kg	95	95	95	115	115	115	140	140	140
Dimensions										
Length	mm	4.000	4.000	3.500	3.500	3.500	3.500	4.550	4.550	4.550
Width	mm	1.100	1.100	2.150	2.150	2.150	2.150	2.150	2.150	2.150
Height	mm	2.600	2.600	2.600	2.600	2.600	2.600	2.600	2.600	2.600
Acoustical data										
Sound power level (4)	dB(A)	85	85	87	87	88	88	89	90	90
Sound pressure level - (10m) (5)	dB(A)	53	53	55	55	56	56	57	58	58

(1) Data refers to 7°C leaving chilled water temperature and 35°C condenser air temperature, NET value refer to EN14511.

(2) Data refers to 45°C leaving warm water temperature and 7°C ambient coil air temperature with 87% R.H., NET value refer to EN14511.

(3) Input power (only compressors).

(4) Sound levels are at fully loaded conditions. Sound power level values refer to ISO standard 3744 and Eurovent 8/1.

(5) Sound pressure levels refer to ISO Standard 3744, parallelepiped shape.

(6) Data refers to 35 °C leaving warm water temperature and 7 °C ambient coil air temperature with 87% R.H., NET value refer to EN14511, according to DM 28_12_12.

(*) High Efficiency Units (EC) with inverter fans.

Physical Data - SyScroll Air EVO HP_HT

High Temperature Version

Model		140	170	200	230	260	280	300	330	360
Nominal cooling capacity (1)	kW	137,9	156,0	182,5	215,5	245,8	263,4	290,3	309,8	343,4
Input power (3)	kW	39,0	48,4	52,3	63,2	71,9	78,6	84,9	88,0	101,0
EER net		2,92	2,75	2,77	2,80	2,78	2,77	2,80	2,82	2,79
Energy Efficiency Class		B	C	C	C	C	C	C	C	C
ESEER net		3,45	3,38	3,53	3,63	3,65	3,58	3,53	3,60	3,58
Nominal heating capacity (2)	kW	147,0	168,5	202,8	232,3	266,0	283,7	309,8	331,5	366,5
Input power (3)	kW	39,2	46,0	52,8	61,8	70,7	76,1	82,3	87,1	97,8
COP net		3,11	3,12	3,07	3,10	3,07	3,08	3,08	3,06	3,08
Energy Efficiency Class		B	B	B	B	B	B	B	B	B
Nominal heating capacity (6)	kW	151,2	173,3	210,2	237,8	272,9	290,5	316,1	339,1	374,0
Input power (3)	kW	31,6	37,9	43,4	49,4	56,7	61,2	65,0	69,0	77,8
COP net		3,79	3,73	3,67	3,76	3,73	3,73	3,76	3,73	3,74
Number of refrigerant circuits		2	2	2	2	2	2	2	2	2
Total capacity steps	%	25-50-75-100	25-50-75-100	21-43-71-100	19-38-69-100	17-39-67-100	16-37-68-100	24-48-71-100	23-50-73-100	25-50-75-100
Compressor										
Number		4	4	4	4	4	4	4	4	4
Type / Oil type		Scroll / Poe								
Evaporator										
Number		1	1	1	2	2	2	1	1	1
Type		Plate	Plate	Plate	Plate	Plate	Plate	Plate	Plate	Plate
water flow Cooling	m ³ /h	23,8	26,9	31,5	37,2	42,4	45,5	50,1	53,4	59,3
Water pressure drop Cooling	kPa	25	32	35	31	31	35	26	30	37
Water flow Heating (2)	m ³ /h	25,2	28,9	34,7	39,8	45,6	48,6	53,1	56,8	62,8
Water pressure drop Heating (2)	kPa	28	37	42	35	35	40	30	34	42
Water flow Heating (6)	m ³ /h	25,9	29,7	36,0	40,8	46,8	49,8	54,2	58,1	64,1
Water pressure drop Heating (6)	kPa	30	39	45	37	37	42	31	36	43
Water volume	l	11,4	11,4	13	21,1	23,4	23,4	32,4	32,4	32,4
Antifreeze Heater	W	130	130	130	130+130	130+130	130+130	130	130	130
Air cooled condenser										
Number of coils		5	5	5	6	6	6	7	8	8
Total coil face area per coil	m ²	12	12	12	14,4	14,4	14,4	16,8	19,2	19,2
Fans										
Number of fans		3	3	5	5	6	6	7	8	8
Nominal speed	rpm	1.100	1.100	1.100	1.100	1.100	1.100	1.100	1.100	1.100
Total airflow	m ³ /h	80.500	80.500	132.500	132.500	159.000	159.000	185.500	212.000	212.000
Total input power (*)	kW	7,8	7,8	13,0	13,0	15,6	15,6	18,2	20,8	20,8
Water Connections (Evaporator)										
Type		Male GAS Threaded								
Inlet Diameter	inch	2"1/2	2"1/2	2"1/2	3"	3"	3"	3"	3"	3"
Outlet Diameter	inch	2"1/2	2"1/2	2"1/2	3"	3"	3"	3"	3"	3"
Water Connections (Desuperheater)										
Type		Male GAS Threaded								
Inlet Diameter	inch	1"	1"	1"	1"	1"	1"	1"	1"	1"
Outlet Diameter	inch	1"	1"	1"	1"	1"	1"	1"	1"	1"
Weight										
Shipping	kg	1.324	1.367	1.893	2.017	2.248	2.258	2.837	2.940	2.950
Operating	kg	1.342	1.385	1.908	2.043	2.276	2.286	2.876	2.979	2.989
Additional weight										
Desuperheater versions	kg	8,5	8,5	17	17	19	19	23	23	23
With one pump	kg	45	45	45	55	55	55	65	65	65
With two pumps	kg	95	95	95	115	115	115	140	140	140
Dimensions										
Length	mm	4.000	4.000	3.500	3.500	3.500	3.500	4.550	4.550	4.550
Width	mm	1.100	1.100	2.150	2.150	2.150	2.150	2.150	2.150	2.150
Height	mm	2.600	2.600	2.600	2.600	2.600	2.600	2.600	2.600	2.600
Acoustical data										
Sound power level (4)	dB(A)	92	92	94	94	96	96	97	98	98
Sound pressure level - (10m) (5)	dB(A)	60	60	62	62	64	64	65	66	66

(1) Data refers to 7°C leaving chilled water temperature and 35°C condenser air temperature, NET value refer to EN14511.

(2) Data refers to 45°C leaving warm water temperature and 7°C ambient coil air temperature with 87% R.H., NET value refer to EN14511.

(3) Input power (only compressors).

(4) Sound levels are at fully loaded conditions. Sound power level values refer to ISO standard 3744 and Eurovent 8/1.

(5) Sound pressure levels refer to ISO Standard 3744, parallelepiped shape.

(*) High Efficiency Units (EC) with inverter fans.

Physical Data - SyScroll Air EVO TR

Total Recovery Version

Model		140	170	200	230	260	280	300	330	360
Nominal cooling capacity (1)	kW	141,8	169,7	189,2	230,5	260,5	283,7	308,1	324,1	359,8
Input power (2)	kW	39,9	47,9	55,3	64,0	73,2	78,9	86,0	91,6	101,1
EER net		3,43	3,40	3,29	3,47	3,44	3,46	3,48	3,43	3,43
Total Heat rejection (1)		183,2	219,7	246,7	296,9	336,2	365,7	396,7	418,6	464,7
Number of refrigerant circuits		2	2	2	2	2	2	2	2	2
Total capacity steps	%	25-50-75-100	25-50-75-100	21-43-71-100	19-38-69-100	17-39-67-100	16-37-68-100	24-48-71-100	23-50-73-100	25-50-75-100
Compressor										
Number		4	4	4	4	4	4	4	4	4
Type / Oil type		Scroll / Poe								
Evaporator										
Number		1	1	1	2	2	2	1	1	1
Type		Plate	Plate	Plate	Plate	Plate	Plate	Plate	Plate	Plate
Water flow	m ³ /h	24,5	29,3	32,7	39,8	45,0	49,0	53,2	55,9	62,1
Water pressure drop	kPa	26	38	37	35	34	41	30	33	41
Water volume		11,4	11,4	13	21,1	23,4	23,4	32,4	32,4	32,4
Inlet/outlet water connection	inch	2"1/2	2"1/2	2"1/2	3"	3"	3"	3"	3"	3"
Recovery Condenser										
Number		1	1	1	2	2	2	1	1	1
Type		Plate	Plate	Plate	Plate	Plate	Plate	Plate	Plate	Plate
Water flow	m ³ /h	31,3	37,6	42,2	50,8	57,5	62,5	67,9	71,7	79,5
Water pressure drop	kPa	43	62	62	57	56	67	49	54	67
Water volume		11,4	11,4	13	21,1	23,4	23,4	32,4	32,4	32,4
Inlet/outlet water connection	inch	2"1/2	2"1/2	2"1/2	3"	3"	3"	3"	3"	3"
Weight										
Shipping	kg	1.331	1.375	1.875	2.008	2.227	2.227	2.844	2.937	2.937
Operating	kg	1.342	1.386	1.885	2.028	2.250	2.250	2.876	2.969	2.969
Additional weight										
EC versions	kg	30	30	50	50	60	60	70	80	80
Dimensions										
Length	mm	4.000	4.000	3.500	3.500	3.500	3.500	4.550	4.550	4.550
Width	mm	1.100	1.100	2.150	2.150	2.150	2.150	2.150	2.150	2.150
Height	mm	2.600	2.600	2.600	2.600	2.600	2.600	2.600	2.600	2.600

(1) Data refers to 7°C leaving chilled water temperature and 45°C leaving condenser water temperature, NET value refer to EN14511.

(2) Input power (only compressors).

Physical Data - SyScroll Air EVO RE

Remote Evaporator

Model		140	170	200	230	260	280	300	330	360
SyScroll Air EVO RE_ - (STD/EC)										
Nominal cooling capacity (1)	kW	165,0	193,4	216,3	250,3	288,4	312,7	337,2	361,2	394,5
Input power (2)	kW	40,6	50,4	54,1	66,1	74,2	81,4	87,5	91,1	103,4
Refrigerant In connections	inch	1 5/8"	1 5/8"	1 5/8" - 2 1/8"	1 5/8" - 2 1/8"	1 5/8" - 2 1/8"	1 5/8" - 2 1/8"	2 1/8"	2 1/8"	2 1/8"
Refrigerant Out connections	inch	7/8"	7/8"	7/8" - 1 1/8"	7/8" - 1 1/8"	7/8" - 1 1/8"	7/8" - 1 1/8"	1 1/8"	1 1/8"	1 1/8"
SyScroll Air EVO RE_L (STD/EC)										
Nominal cooling capacity (1)	kW	165,0	193,4	216,3	250,3	288,4	312,7	337,2	361,2	394,5
Input power (2)	kW	42,5	52,8	56,2	69,3	77,6	85,3	91,9	95,3	108,6
Refrigerant In connections	inch	1 5/8"	1 5/8"	1 5/8" - 2 1/8"	1 5/8" - 2 1/8"	1 5/8" - 2 1/8"	1 5/8" - 2 1/8"	2 1/8"	2 1/8"	2 1/8"
Refrigerant Out connections	inch	7/8"	7/8"	7/8" - 1 1/8"	7/8" - 1 1/8"	7/8" - 1 1/8"	7/8" - 1 1/8"	1 1/8"	1 1/8"	1 1/8"
SyScroll Air EVO RE_S (STD/EC)										
Nominal cooling capacity (1)	kW	149,2	172,1	198,5	225,0	261,4	281,2	305,2	329,9	355,8
Input power (2)	kW	45,7	56,7	60,0	75,6	84,2	93,0	100,4	103,5	118,6
Refrigerant In connections	inch	1 5/8"	1 5/8"	1 5/8" - 2 1/8"	1 5/8" - 2 1/8"	1 5/8" - 2 1/8"	1 5/8" - 2 1/8"	2 1/8"	2 1/8"	2 1/8"
Refrigerant Out connections	inch	7/8"	7/8"	7/8" - 1 1/8"	7/8" - 1 1/8"	7/8" - 1 1/8"	7/8" - 1 1/8"	1 1/8"	1 1/8"	1 1/8"
SyScroll Air EVO RE_HT										
Nominal cooling capacity (1)	kW	166,6	195,6	218,2	252,8	291,2	315,9	340,5	364,4	398,4
Input power (2)	kW	40,1	49,8	53,6	65,2	73,3	80,2	86,3	89,9	101,9
Refrigerant In connections	inch	1 5/8"	1 5/8"	1 5/8" - 2 1/8"	1 5/8" - 2 1/8"	1 5/8" - 2 1/8"	1 5/8" - 2 1/8"	2 1/8"	2 1/8"	2 1/8"
Refrigerant Out connections	inch	7/8"	7/8"	7/8" - 1 1/8"	7/8" - 1 1/8"	7/8" - 1 1/8"	7/8" - 1 1/8"	1 1/8"	1 1/8"	1 1/8"
Weight										
Shipping	kg	1.107	1.150	1.598	1.695	1.875	1.875	2.364	2.433	2.445
Additional weight										
EC/HT/HPF versions	kg	30	30	50	50	60	60	70	80	80
Dimensions										
Length	mm	4.000	4.000	3.500	3.500	3.500	3.500	4.550	4.550	4.550
Width	mm	1.100	1.100	2.150	2.150	2.150	2.150	2.150	2.150	2.150
Height	mm	2.600	2.600	2.600	2.600	2.600	2.600	2.600	2.600	2.600

(1) Data refers to 7°C evaporating temperature and 35°C condenser inlet air temperature.

(2) Input power (only compressors).

Electrical Data - SyScroll Air EVO

Compressors @ 400 V/3 Ph/50 Hz

Model	Power input nominal Cond. compressor	Nom. Cond. current compressor	Power input max. Cond. compressor	Max. running current compressor FLA	Starting current compressor LRA	Nominal power factor	Unit fuse size	Cable section
	kW	A	kW	A	A	kW		
140	10,5	18,1	14,8	31	140	0,84	200	95
	10,5	18,1	14,8	31	140	0,84		
	10,5	18,1	14,8	31	140	0,84		
	10,5	18,1	14,8	31	140	0,84		
170	12,3	23,3	17,0	34	174	0,76	200	95
	12,3	23,3	17,0	34	174	0,76		
	12,3	23,3	17,0	34	174	0,76		
	12,3	23,3	17,0	34	174	0,76		
200	12,3	23,3	17,0	34	174	0,76	250	120
	12,3	23,3	17,0	34	174	0,76		
	15,9	27,8	22,6	40	225	0,82		
	15,9	27,8	22,6	40	225	0,82		
230	12,3	23,3	17,0	34	174	0,76	250	120
	12,3	23,3	17,0	34	174	0,76		
	20,0	34,7	27,6	48,5	272	0,83		
	20,0	34,7	27,6	48,5	272	0,83		
260	12,3	23,3	17,0	34	174	0,76	315	185
	15,9	27,8	22,6	40	225	0,82		
	20,0	34,7	27,6	48,5	272	0,83		
	25,6	44,0	36,1	65,4	310	0,84		
280	12,3	23,3	17,0	34	174	0,76	315	185
	15,9	27,8	22,6	40	225	0,82		
	25,6	44,0	36,1	65,4	310	0,84		
	25,6	44,0	36,1	65,4	310	0,84		
300	20,0	34,7	27,6	48,5	272	0,83	400	240
	20,0	34,7	27,6	48,5	272	0,83		
	20,0	34,7	27,6	48,5	272	0,83		
	25,6	44,0	36,1	65,4	310	0,84		
330	20,0	34,7	27,6	48,5	272	0,83	400	240
	25,6	44,0	36,1	65,4	310	0,84		
	20,0	34,7	27,6	48,5	272	0,83		
	25,6	44,0	36,1	65,4	310	0,84		
360	25,6	44,0	36,1	65,4	310	0,84	400	240
	25,6	44,0	36,1	65,4	310	0,84		
	25,6	44,0	36,1	65,4	310	0,84		
	25,6	44,0	36,1	65,4	310	0,84		

Electrical Data - SyScroll Air EVO

Fans @ 400 V/3 Ph/50 Hz

- Version	Number of fans	Nominal power per fan	Max. running current per fan	Total fan power	Total max. fan current
140	3	2,1	4,1	6,3	12,3
170	3	2,1	4,1	6,3	12,3
200	5	2,1	4,1	10,5	20,5
230	5	2,1	4,1	10,5	20,5
260	6	2,1	4,1	12,6	24,6
280	6	2,1	4,1	12,6	24,6
300	7	2,1	4,1	14,7	28,7
330	8	2,1	4,1	16,8	32,8
360	8	2,1	4,1	16,8	32,8

L-S Version	Number of fans	Nominal power per fan	Max. running current per fan	Total fan power	Total max. fan current
140	3	1,15	2,2	3,5	6,6
170	3	1,15	2,2	3,5	6,6
200	5	1,15	2,2	5,8	11,0
230	5	1,15	2,2	5,8	11,0
260	6	1,15	2,2	6,9	13,2
280	6	1,15	2,2	6,9	13,2
300	7	1,15	2,2	8,1	15,4
330	8	1,15	2,2	9,2	17,6
360	8	1,15	2,2	9,2	17,6

EC-HT-HPF	Number of fans	Nominal power per fan	Max. running current per fan	Total fan power	Total max. fan current
140	3	3,1	4,8	9,3	14,4
170	3	3,1	4,8	9,3	14,4
200	5	3,1	4,8	15,5	24,0
230	5	3,1	4,8	15,5	24,0
260	6	3,1	4,8	18,6	28,8
280	6	3,1	4,8	18,6	28,8
300	7	3,1	4,8	21,7	33,6
330	8	3,1	4,8	24,8	38,4
360	8	3,1	4,8	24,8	38,4

Electrical Data - SyScroll Air EVO

Units @ 400 V/3 Ph/50 Hz

- Version			140	170	200	230	260	280	300	330	360
Power	Nominal	kW	48,3	55,3	66,7	75	86,3	91,9	100,3	108	119,2
Input	Maximum	kW	65,3	74,1	89,6	99,6	115,85	124,35	133,6	144,2	161,2
Current	Nominal	kW	84,86	105,38	122,6	136,38	154,31	163,63	176,7	190,12	208,76
Input	Maximum	kW	136,3	148,3	168,5	185,5	212,5	229,4	239,6	260,6	294,4
Max Start-up current		A	245,3	288,3	353,5	409	457,1	474	484,2	505,2	539

L-S Version			140	170	200	230	260	280	300	330	360
Power	Nominal	kW	45,45	52,45	61,95	70,25	80,6	86,2	93,65	100,4	111,6
Input	Maximum	kW	62,45	71,25	84,85	94,85	110,15	118,65	126,95	136,6	153,6
Current	Nominal	kW	79,16	99,68	113,1	126,88	142,91	152,23	163,4	174,92	193,56
Input	Maximum	kW	130,6	142,6	159	176	201,1	218	226,3	245,4	279,2
Max Start-up current		A	239,6	282,6	344	399,5	445,7	462,6	470,9	490	523,8

EC-HT-HPF Version			140	170	200	230	260	280	300	330	360
Power	Nominal	kW	51,3	58,3	71,7	80	71,7	80	92,3	97,9	116
Input	Maximum	kW	68,3	77,1	94,6	104,6	94,6	104,6	121,85	130,35	152,2
Current	Nominal	kW	86,96	107,48	126,1	139,88	126,1	139,88	158,51	167,83	195,72
Input	Maximum	kW	138,4	150,4	172	189	172	189	216,7	233,6	266,2
Max Start-up current		A	247,4	290,4	357	412,5	357	412,5	461,3	478,2	510,8

Electrical Data - SyScroll Air EVO

Pump data

Model	Low Pressure		High Pressure	
	Nominal power	Max. running current	Nominal power	Max. running current
	kW	A	kW	A
140	2,2	4,64	4,0	7,63
170	2,2	4,64	4,0	7,63
200	2,2	4,64	4,0	7,63
230	3,0	6,14	5,5	10,4
260	3,0	6,14	5,5	10,4
280	3,0	6,14	5,5	10,4
300	4,0	7,63	7,5	14,0
330	4,0	7,63	7,5	14,0
360	4,0	7,63	7,5	14,0

Units @ 400 V/3 Ph/50 Hz

- Version			140	170	200	230	260	280	300	330	360
Power	Nominal	kW	48	55	69	78	89	95	100	108	119
Input	Maximum	kW	65	74	92	103	119	127	134	144	161
Current	Nominal	A	85	105	127	143	160	170	177	190	209
Input	Maximum	A	136	148	173	192	219	236	240	261	294
Max Start-up current		A	245	288	358	415	463	480	484	505	539

S-L Version			140	170	200	230	260	280	300	330	360
Power	Nominal	kW	45	52	64	73	84	89	93,65	100,4	111,6
Input	Maximum	kW	62	71	87	98	113	122	126,95	136,6	153,6
Current	Nominal	A	79	100	118	133	149	158	163,4	174,92	193,56
Input	Maximum	A	131	143	164	182	207	224	226,3	245,4	279,2
Max Start-up current		A	240	283	349	406	452	469	470,9	490	523,8

EC-HT-HPF Version			140	170	200	230	260	280	300	330	360
Power	Nominal	kW	51	58	74	83	95	101	107	116	127
Input	Maximum	kW	68	77	97	108	125	133	141	152	169
Current	Nominal	A	87	107	131	146	165	174	182	196	214
Input	Maximum	A	140	170	200	230	260	280	300	330	360
Max Start-up current		A	247	290	362	419	467	484	489	511	545

Fan Data - HPF Version

SyScroll 140-360 Air EVO HPF

Model	Fan Static Pressure (Pa)	Fan RPM	Parameter in Service Level: Max Speed (Vdc)
140	0	900	8,1
	25	950	8,5
	56	1.000	9,0
	87	1.050	9,4
	123	1.100	10,0
170	0	900	8,1
	25	950	8,5
	56	1.000	9,0
	87	1.050	9,4
	123	1.100	10,0
200	0	900	8,1
	25	950	8,5
	56	1.000	9,0
	88	1.050	9,4
	124	1.100	10,0
230	0	900	8,1
	25	950	8,5
	56	1.000	9,0
	88	1.050	9,4
	124	1.100	10,0
260	0	900	8,1
	25	950	8,5
	56	1.000	9,0
	88	1.050	9,4
	124	1.100	10,0
280	0	900	8,1
	25	950	8,5
	56	1.000	9,0
	88	1.050	9,4
	124	1.100	10,0
300	0	900	8,1
	25	950	8,5
	56	1.000	9,0
	88	1.050	9,4
	124	1.100	10,0
330	0	900	8,1
	25	950	8,5
	56	1.000	9,0
	88	1.050	9,4
	124	1.100	10,0
360	0	900	8,1
	25	950	8,5
	56	1.000	9,0
	88	1.050	9,4
	124	1.100	10,0

Sound Levels - SyScroll Air EVO

Model	Frequency (Hz)							Sound Power dB(A)	Sound Pressure dB(A)
	125	250	500	1000	2000	4000	8000		
- Version									
140	86,0	85,0	90,0	85,0	79,0	68,0	52,0	90	58
170	86,0	86,0	91,0	85,0	79,0	68,0	52,0	90	58
200	87,0	86,0	91,0	88,0	82,0	67,0	55,0	92	60
230	87,0	86,0	92,0	88,0	82,0	67,0	60,0	92	60
260	88,0	87,0	91,0	84,0	88,0	68,0	56,0	93	61
280	88,0	87,0	92,0	89,0	83,0	68,0	56,0	93	61
300	87,0	86,0	95,0	88,0	85,0	69,0	60,0	94	62
330	88,0	88,0	96,0	90,0	84,0	70,0	57,0	95	63
360	89,0	88,0	96,0	90,0	84,0	71,0	57,0	95	63
L Version									
140	85,0	82,0	85,0	80,0	76,0	69,0	50,0	85	53
170	86,0	82,0	85,0	79,0	77,0	66,0	52,0	85	53
200	86,0	83,0	86,0	80,0	82,0	67,0	55,0	87	55
230	87,0	84,0	86,0	80,0	82,0	69,0	57,0	87	55
260	87,0	85,0	87,0	81,0	83,0	68,0	56,0	88	56
280	88,0	85,0	88,0	81,0	83,0	69,0	56,0	89	56
300	88,0	85,0	88,0	82,0	84,0	69,0	57,0	89	57
330	88,0	84,0	90,0	81,0	84,0	69,0	57,0	90	58
360	89,0	84,0	89,0	82,0	85,0	70,0	57,0	90	58
S Version									
140	72,0	65,0	79,0	73,0	72,0	63,0	48,0	79	47
170	73,0	65,0	79,0	73,0	73,0	64,0	49,0	79	47
200	73,0	70,0	80,0	74,0	78,0	65,0	50,0	82	50
230	74,0	70,0	80,0	74,0	78,0	68,0	50,0	82	50
260	75,0	68,0	81,0	75,0	79,0	67,0	51,0	83	51
280	76,0	67,0	81,0	75,0	79,0	69,0	52,0	83	51
300	77,0	70,0	82,0	80,0	80,0	70,0	53,0	85	53
330	77,0	71,0	83,0	81,0	82,0	69,0	53,0	86	54
360	78,0	72,0	83,0	81,0	81,0	70,0	54,0	86	54
EC-HT Version									
140	91,0	90,0	92,0	87,0	82,0	72,0	56,0	92	60
170	92,0	90,0	92,0	87,0	82,0	72,0	56,0	92	60
200	93,0	91,0	94,0	88,0	83,0	73,0	58,0	94	62
230	94,0	91,0	94,0	88,0	84,0	75,0	60,0	94	62
260	94,0	92,0	96,0	90,0	84,0	76,0	62,0	96	64
280	95,0	92,0	96,0	90,0	85,0	77,0	62,0	96	64
300	96,0	93,0	97,0	92,0	86,0	80,0	64,0	97	65
330	97,0	94,0	98,0	93,0	87,0	82,0	65,0	98	66
360	98,0	95,0	98,0	93,0	87,0	82,0	65,0	98	66

(*) Sound pressure level at 10 m.- Values refers to ISO Standard 3744 with parallepiped shape.

(**) Sound data valid in max air flow rate condition.

Model	LWT °C	Condensing Air Temperature °C											
		40			42			45			48		
		Cool	Input Power (*)	Pressure Drop	Cool	Input Power (*)	Pressure Drop	Cool	Input Power (*)	Pressure Drop	Cool	Input Power (*)	Pressure Drop
		kW	kW	kPa	kW	kW	kPa	kW	kW	kPa	kW	kW	kPa
140	5	125,4	42,8	20	121,0	44,7	19	114,3	47,6	17	107,2	50,8	15
	7	133,8	43,5	23	129,2	45,3	22	122,0	48,3	19			
	9	142,2	44,1	26	137,4	46,0	25	129,8	48,9	22			
	11	150,6	44,8	30	145,5	46,7	28	137,6	49,6	25			
	13	159,0	45,5	33	153,7	47,3	31	145,3	50,3	28			
	15	167,4	46,2	37	161,8	48,0	34	153,1	50,9	31			
170	18	180,0	47,2	42	174,0	49,0	39	164,7	51,9	35			
	5	147,3	52,2	28	142,2	54,2	26	134,3	57,3	24	126,1	60,6	21
	7	156,5	53,1	32	151,2	55,1	30	142,9	58,3	27			
	9	165,8	54,1	36	160,2	56,1	33	151,5	59,2	30			
	11	175,1	55,1	40	169,2	57,1	37	160,1	60,2	33			
	13	184,4	56,0	44	178,2	58,1	41	168,7	61,2	37			
200	15	193,6	57,0	49	187,2	59,0	46	177,2	62,2	41			
	18	207,5	58,5	56	200,7	60,5	52	190,1	63,6	47			
	5	171,8	57,2	31	166,4	59,6	29	158,0	63,3	26	149,3	67,2	23
	7	183,4	58,2	35	177,6	60,5	33	168,8	64,3	30			
	9	195,0	59,1	39	188,9	61,5	37	179,6	65,3	33			
	11	206,5	60,1	44	200,2	62,5	41	190,3	66,2	38			
230	13	218,1	61,0	49	211,4	63,5	46	201,1	67,2	42			
	15	229,6	62,0	55	222,7	64,4	51	211,9	68,2	47			
	18	247,0	63,4	63	239,5	65,9	59	228,1	69,7	54			
	5	199,7	70,8	26	192,6	73,9	24	181,7	78,9	22	170,2	84,3	19
	7	213,3	72,0	30	205,9	75,1	28	194,3	80,2	25			
	9	226,9	73,2	34	219,1	76,4	32	206,9	81,4	28			
260	11	240,5	74,4	38	232,3	77,6	35	219,6	82,6	32			
	13	254,2	75,6	42	245,6	78,8	40	232,2	83,8	35			
	15	267,8	76,8	47	258,8	80,0	44	244,9	85,0	39			
	18	288,2	78,6	55	278,6	81,8	51	263,8	86,9	46			
	5	228,6	79,3	26	221,1	82,9	25	209,5	88,6	22	197,4	94,6	20
	7	244,5	80,6	30	236,5	84,2	28	224,2	89,9	25			
280	9	260,4	81,9	34	252,0	85,6	32	238,9	91,3	29			
	11	276,3	83,3	39	267,4	86,9	36	253,6	92,6	32			
	13	292,2	84,6	43	282,8	88,2	40	268,4	94,0	36			
	15	308,1	85,9	48	298,3	89,6	45	283,1	95,3	40			
	18	332,0	87,9	56	321,5	91,6	52	305,2	97,3	47			
	5	247,0	86,6	31	238,9	90,4	29	226,3	96,5	26	213,3	103,0	23
300	7	263,9	88,1	35	255,3	91,9	33	242,0	98,1	30			
	9	280,9	89,6	40	271,7	93,5	37	257,6	99,6	33			
	11	297,8	91,1	45	288,2	95,0	42	273,3	101,2	38			
	13	314,7	92,6	50	304,6	96,5	47	289,0	102,7	42			
	15	331,6	94,1	55	321,0	98,1	52	304,6	104,3	47			
	18	357,0	96,4	64	345,7	100,3	60	328,1	106,6	54			
330	5	268,7	94,7	23	259,2	99,2	21	244,4	106,4	19	229,0	114,0	16
	7	286,6	96,1	26	276,6	100,6	24	261,2	107,8	21			
	9	304,4	97,5	29	294,1	102,0	27	278,1	109,2	24			
	11	322,3	98,8	32	311,6	103,4	30	294,9	110,7	27			
	13	340,2	100,2	36	329,0	104,8	34	311,8	112,1	30			
	15	358,0	101,6	40	346,5	106,2	38	328,6	113,5	34			
360	18	384,8	103,7	46	372,7	108,3	43	353,9	115,7	39			
	5	287,9	98,7	26	278,0	103,3	24	262,7	110,7	22	246,9	118,5	19
	7	306,8	100,0	29	296,6	104,7	28	280,7	112,1	25			
	9	325,8	101,3	33	315,1	106,0	31	298,6	113,5	28			
	11	344,8	102,7	37	333,7	107,4	35	316,5	114,9	31			
	13	363,7	104,0	41	352,3	108,8	39	334,5	116,3	35			
360	15	382,7	105,4	46	370,8	110,1	43	352,4	117,7	39			
	18	411,1	107,4	53	398,7	112,2	50	379,4	119,8	45			
	5	315,3	111,3	31	304,4	116,4	29	287,6	124,4	26	270,2	133,0	23
	7	334,9	112,9	35	323,6	118,0	33	306,1	126,1	29			
	9	354,5	114,4	39	342,8	119,6	37	324,7	127,7	33			
	11	374,0	116,0	44	361,9	121,2	41	343,2	129,4	37			
360	13	393,6	117,6	48	381,1	122,8	45	361,8	131,0	41			
	15	413,2	119,1	53	400,3	124,4	50	380,3	132,7	45			
	18	442,6	121,5	61	429,1	126,8	58	408,1	135,1	52			

(*) Only Compressors.

Cooling Capacities - SyScroll Air CO/EC L Version

Model	LWT °C	Condensing Air Temperature °C											
		25			30			32			35		
		Cool	Input Power (*)	Pressure Drop	Cool	Input Power (*)	Pressure Drop	Cool	Input Power (*)	Pressure Drop	Cool	Input Power (*)	Pressure Drop
		kW	kW	kPa	kW	kW	kPa	kW	kW	kPa	kW	kW	kPa
140	5	149,9	32,8	29	141,3	36,2	26	137,7	37,7	25	131,9	40,1	23
	7	159,5	33,6	33	150,4	37,0	29	146,5	38,5	28	140,4	40,9	26
	9	169,2	34,4	37	159,5	37,8	33	155,4	39,3	31	148,9	41,7	29
	11	178,8	35,2	42	168,6	38,5	37	164,2	40,0	35	157,3	42,4	32
	13	188,5	36,0	46	177,7	39,3	41	173,0	40,8	39	165,8	43,2	36
	15	198,1	36,8	51	186,7	40,1	45	181,9	41,6	43	174,3	44,0	40
170	18	212,6	38,0	59	200,4	41,3	52	195,2	42,7	50	187,1	45,1	46
	5	176,0	41,3	40	165,6	45,2	36	161,2	46,8	34	154,3	49,5	31
	7	186,6	42,2	45	175,5	46,2	40	170,8	47,9	38	163,5	50,6	35
	9	197,2	43,2	51	185,5	47,2	45	180,5	48,9	42	172,8	51,6	39
	11	207,8	44,1	56	195,4	48,2	50	190,2	49,9	47	182,1	52,7	43
	13	218,4	45,0	62	205,3	49,2	55	199,8	51,0	52	191,3	53,7	48
200	15	229,0	45,9	68	215,3	50,2	60	209,5	52,0	57	200,6	54,8	52
	18	244,9	47,3	78	230,2	51,7	69	224,0	53,5	65	214,5	56,4	60
	5	204,4	44,5	43	192,9	48,7	39	188,0	50,6	37	180,5	53,6	34
	7	217,6	45,4	49	205,3	49,7	44	200,2	51,6	42	192,2	54,6	38
	9	230,7	46,3	55	217,7	50,6	49	212,3	52,6	47	203,9	55,6	43
	11	243,8	47,2	62	230,2	51,6	55	224,5	53,5	52	215,7	56,7	48
230	13	257,0	48,0	68	242,6	52,5	61	236,6	54,5	58	227,4	57,7	54
	15	270,1	48,9	76	255,1	53,5	67	248,8	55,5	64	239,1	58,7	59
	18	289,8	50,2	87	273,8	54,9	78	267,0	57,0	74	256,7	60,2	68
	5	239,0	53,6	38	225,3	59,5	33	219,4	62,1	32	210,0	66,2	29
	7	254,7	54,8	43	240,0	60,8	38	233,6	63,4	36	223,7	67,6	33
	9	270,4	56,0	48	254,6	62,1	43	247,9	64,7	40	237,4	68,9	37
260	11	286,1	57,2	54	269,3	63,3	48	262,2	66,0	45	251,1	70,3	41
	13	301,7	58,3	60	284,0	64,6	53	276,5	67,3	50	264,7	71,6	46
	15	317,4	59,5	66	298,7	65,9	59	290,8	68,6	56	278,4	73,0	51
	18	340,9	61,3	76	320,7	67,8	68	312,2	70,6	64	299,0	75,0	59
	5	272,2	60,1	37	256,7	66,6	33	250,1	69,4	32	239,8	74,1	29
	7	290,4	61,5	43	273,9	68,0	38	266,8	70,9	36	255,9	75,5	33
280	9	308,7	62,8	48	291,0	69,4	43	283,6	72,3	41	272,0	77,0	37
	11	326,9	64,1	54	308,2	70,8	48	300,3	73,8	45	288,0	78,5	42
	13	345,2	65,5	60	325,4	72,2	53	317,0	75,2	51	304,1	80,0	47
	15	363,4	66,8	67	342,5	73,6	59	333,7	76,6	56	320,1	81,4	52
	18	390,8	68,8	77	368,3	75,7	68	358,8	78,8	65	344,2	83,6	60
	5	294,2	66,0	44	277,2	73,0	39	270,0	76,1	37	258,9	81,2	34
300	7	313,5	67,5	50	295,4	74,6	44	287,8	77,8	42	275,9	82,8	38
	9	332,9	69,0	56	313,6	76,2	50	305,5	79,4	47	292,9	84,5	43
	11	352,2	70,5	63	331,8	77,8	56	323,3	81,0	53	310,0	86,2	48
	13	371,6	72,1	70	350,0	79,4	62	341,0	82,7	59	327,0	87,8	54
	15	391,0	73,6	77	368,3	81,1	68	358,7	84,3	65	344,0	89,5	60
	18	420,0	75,9	89	395,6	83,5	79	385,3	86,8	75	369,5	92,0	69
330	5	324,0	70,5	33	304,4	78,7	29	296,0	82,3	27	283,0	88,2	25
	7	343,6	71,9	37	323,2	80,2	33	314,5	83,9	31	300,9	89,7	28
	9	363,3	73,3	41	341,9	81,6	37	332,9	85,4	35	318,7	91,3	32
	11	383,0	74,7	46	360,7	83,1	41	351,3	86,9	39	336,6	92,8	35
	13	402,6	76,0	51	379,5	84,6	45	369,7	88,4	43	354,5	94,4	39
	15	422,3	77,4	56	398,3	86,1	50	388,2	89,9	47	372,3	95,9	43
360	18	451,8	79,5	64	426,5	88,3	57	415,8	92,1	54	399,1	98,3	50
	5	346,1	73,5	37	325,5	81,9	33	316,8	85,6	31	303,2	91,6	29
	7	366,8	74,8	42	345,4	83,3	37	336,3	87,1	35	322,2	93,2	32
	9	387,6	76,1	47	365,3	84,7	42	355,9	88,5	40	341,2	94,7	36
	11	408,3	77,5	52	385,2	86,2	46	375,4	90,0	44	360,2	96,2	41
	13	429,1	78,8	58	405,1	87,6	51	395,0	91,5	49	379,2	97,7	45
360	15	449,8	80,1	63	425,0	89,0	57	414,6	92,9	54	398,3	99,2	50
	18	480,9	82,1	72	454,9	91,1	65	443,9	95,1	62	426,8	101,4	57
	5	379,0	83,8	45	355,9	93,2	40	346,2	97,3	37	331,1	104,0	34
	7	400,3	85,4	50	376,4	94,9	44	366,3	99,1	42	350,7	105,8	38
	9	421,6	87,0	56	396,8	96,6	49	386,4	100,8	47	370,2	107,5	43
	11	442,8	88,6	61	417,3	98,3	54	406,5	102,5	52	389,7	109,3	48
360	13	464,1	90,1	67	437,7	100,0	60	426,6	104,3	57	409,3	111,1	52
	15	485,4	91,7	74	458,1	101,7	66	446,7	106,0	62	428,8	112,9	58
	18	517,3	94,1	84	488,8	104,2	75	476,8	108,6	71	458,2	115,6	66

(*) Only Compressors.

Model	LWT °C	Condensing Air Temperature °C											
		38			40			42			45		
		Cool	Input Power (*)	Pressure Drop	Cool	Input Power (*)	Pressure Drop	Cool	Input Power (*)	Pressure Drop	Cool	Input Power (*)	Pressure Drop
		kW	kW	kPa	kW	kW	kPa	kW	kW	kPa	kW	kW	kPa
140	5	125,7	42,8	21	121,5	44,6	19	117,0	46,5	18	110,1	49,6	16
	7	133,9	43,5	23	129,4	45,4	22	124,7	47,3	20	117,4	50,3	18
	9	142,0	44,3	26	137,2	46,1	25	132,3	48,0	23	124,7	51,1	20
	11	150,1	45,0	29	145,1	46,9	27	140,0	48,8	26			
	13	158,3	45,8	33	153,0	47,6	31	147,6	49,6	28			
	15	166,4	46,6	36	160,9	48,4	34	155,2	50,3	31			
170	5	147,0	52,3	28	142,0	54,3	26	136,9	56,4	24	128,9	59,7	22
	7	155,9	53,4	32	150,6	55,4	30	145,2	57,5	27	136,8	60,7	24
	9	164,7	54,5	35	159,2	56,5	33	153,5	58,6	31	144,7	61,8	27
	11	173,6	55,6	39	167,8	57,6	37	161,9	59,7	34			
	13	182,5	56,6	43	176,4	58,7	41	170,2	60,7	38			
	15	191,4	57,7	48	185,0	59,7	45	178,5	61,8	42			
200	5	172,7	56,9	31	167,3	59,2	29	161,8	61,6	27	153,3	65,5	24
	7	183,9	57,9	35	178,3	60,2	33	172,5	62,7	31	163,5	66,6	28
	9	195,2	59,0	39	189,2	61,3	37	183,1	63,8	35	173,7	67,6	31
	11	206,5	60,0	44	200,2	62,4	42	193,8	64,8	39			
	13	217,8	61,1	49	211,2	63,4	46	204,5	65,9	43			
	15	229,0	62,1	54	222,2	64,5	51	215,1	67,0	48			
230	5	200,1	70,7	26	193,2	73,9	25	186,0	77,2	23	174,8	82,4	20
	7	213,2	72,1	30	205,9	75,3	28	198,3	78,6	26	186,5	83,8	23
	9	226,3	73,5	34	218,6	76,6	31	210,6	80,0	29	198,2	85,2	26
	11	239,4	74,8	38	231,3	78,0	35	222,9	81,4	33			
	13	252,5	76,2	42	244,0	79,4	39	235,3	82,8	36			
	15	265,6	77,6	46	256,7	80,8	43	247,6	84,2	40			
260	5	229,1	79,1	26	221,7	82,6	25	214,1	86,3	23	202,2	92,2	21
	7	244,5	80,6	30	236,6	84,1	28	228,5	87,9	26	216,0	93,8	24
	9	259,9	82,1	34	251,5	85,6	32	243,0	89,4	30	229,7	95,3	27
	11	275,2	83,6	38	266,4	87,2	36	257,4	90,9	33			
	13	290,6	85,1	43	281,4	88,7	40	271,9	92,4	37			
	15	306,0	86,6	47	296,3	90,2	44	286,3	93,9	41			
280	5	247,2	86,6	31	239,2	90,4	29	231,0	94,4	27	218,2	100,7	24
	7	263,5	88,3	35	255,0	92,1	33	246,3	96,1	31	232,7	102,4	27
	9	279,8	90,0	39	270,8	93,8	37	261,6	97,8	35	247,2	104,2	31
	11	296,1	91,7	44	286,6	95,5	41	276,8	99,6	39			
	13	312,4	93,4	49	302,4	97,3	46	292,1	101,3	43			
	15	328,7	95,1	54	318,2	99,0	51	307,4	103,1	48			
300	5	289,0	98,1	26	279,3	102,7	24	269,2	107,5	23	253,7	115,2	20
	7	307,5	99,7	30	297,3	104,3	28	286,9	109,1	26	270,7	116,8	23
	9	325,9	101,2	33	315,3	105,9	31	304,5	110,8	29	287,7	118,4	26
	11	344,3	102,8	37	333,4	107,5	35	322,1	112,4	32			
	13	362,8	104,3	41	351,4	109,0	39	339,8	114,0	36			
	15	381,2	105,9	45	369,5	110,6	43	357,4	115,6	40			
330	5	289,0	98,1	26	279,3	102,7	24	269,2	107,5	23	253,7	115,2	20
	7	307,5	99,7	30	297,3	104,3	28	286,9	109,1	26	270,7	116,8	23
	9	325,9	101,2	33	315,3	105,9	31	304,5	110,8	29	287,7	118,4	26
	11	344,3	102,8	37	333,4	107,5	35	322,1	112,4	32			
	13	362,8	104,3	41	351,4	109,0	39	339,8	114,0	36			
	15	381,2	105,9	45	369,5	110,6	43	357,4	115,6	40			
360	5	315,4	111,1	31	304,7	116,1	29	293,6	121,3	27	276,5	129,6	24
	7	334,4	112,9	35	323,2	118,0	33	311,8	123,3	30	294,0	131,6	27
	9	353,4	114,8	39	341,8	119,9	37	329,9	125,2	34	311,5	133,6	30
	11	372,3	116,6	43	360,3	121,8	41	348,0	127,1	38			
	13	391,3	118,5	48	378,9	123,7	45	366,2	129,0	42			
	15	410,3	120,3	53	397,5	125,5	49	384,3	131,0	46			
360	18	438,7	123,1	60	425,3	128,4	57	411,5	133,9	53			

(*) Only Compressors.

Cooling Capacities - SyScroll Air CO/EC S Version

Model	LWT °C	Condensing Air Temperature °C											
		25			30			32			35		
		Cool	Input Power (*)	Pressure Drop	Cool	Input Power (*)	Pressure Drop	Cool	Input Power (*)	Pressure Drop	Cool	Input Power (*)	Pressure Drop
		kW	kW	kPa	kW	kW	kPa	kW	kW	kPa	kW	kW	kPa
140	5	144,2	35,0	27	135,2	38,7	24	131,3	40,3	22	125,3	42,9	20
	7	153,0	36,0	30	143,4	39,6	27	139,3	41,2	25	132,9	43,8	23
	9	161,7	36,9	34	151,6	40,5	30	147,2	42,1	28	140,5	44,7	26
	11	170,5	37,8	38	159,7	41,5	33	155,2	43,1	31	148,1	45,6	29
	13	179,2	38,7	42	167,9	42,4	37	163,1	44,0	35	155,7	46,5	32
	15	188,0	39,6	46	176,1	43,3	40	171,1	44,9	38	163,3	47,4	35
	18	201,2	41,0	53	188,4	44,7	46	183,0	46,3	44	174,7	48,8	40
170	5	167,9	44,4	37	157,1	48,3	32	152,5	50,1	30	145,4	52,9	28
	7	177,4	45,5	41	165,9	49,6	36	161,0	51,3	34	153,5	54,1	31
	9	186,8	46,7	45	174,7	50,8	40	169,6	52,6	37	161,6	55,4	34
	11	196,2	47,9	50	183,4	52,1	44	178,1	53,9	41	169,8	56,7	38
	13	205,7	49,1	55	192,2	53,3	48	186,6	55,1	45	177,9	58,0	41
	15	215,1	50,2	60	201,0	54,5	53	195,1	56,4	50	186,1	59,2	45
	18	229,3	52,0	69	214,2	56,4	60	207,9	58,2	56	198,3	61,1	51
200	5	196,8	47,3	40	185,0	51,7	35	180,0	53,7	34	172,4	56,9	31
	7	208,8	48,5	45	196,3	52,9	40	191,1	54,9	38	183,0	58,2	35
	9	220,8	49,6	51	207,6	54,2	45	202,1	56,2	42	193,6	59,5	39
	11	232,9	50,7	56	219,0	55,4	50	213,2	57,4	47	204,2	60,7	43
	13	244,9	51,8	62	230,3	56,6	55	224,2	58,7	52	214,8	62,0	48
	15	256,9	53,0	68	241,6	57,8	60	235,2	59,9	57	225,4	63,3	53
	18	275,0	54,7	78	258,6	59,6	69	251,8	61,8	66	241,3	65,2	60
230	5	228,4	58,3	34	214,1	64,5	30	207,9	67,3	28	198,1	71,8	26
	7	242,4	59,8	39	227,0	66,2	34	220,4	69,0	32	210,1	73,4	29
	9	256,4	61,4	43	240,0	67,8	38	233,0	70,6	36	222,1	75,1	32
	11	270,3	62,9	48	253,0	69,5	42	245,6	72,3	40	234,1	76,8	36
	13	284,3	64,5	53	265,9	71,1	46	258,2	74,0	44	246,1	78,5	40
	15	298,3	66,0	58	278,9	72,7	51	270,7	75,6	48	258,1	80,2	44
	18	319,2	68,3	67	298,4	75,2	58	289,6	78,1	55	276,0	82,8	50
260	5	260,8	64,9	34	244,9	71,9	30	238,1	75,0	29	227,5	79,9	26
	7	277,3	66,6	39	260,2	73,7	34	253,0	76,8	32	241,8	81,8	29
	9	293,7	68,3	44	275,6	75,4	38	267,9	78,6	36	256,0	83,6	33
	11	310,2	70,0	49	291,0	77,2	43	282,9	80,4	40	270,3	85,5	37
	13	326,6	71,7	54	306,3	79,0	47	297,8	82,2	45	284,5	87,3	41
	15	343,1	73,4	59	321,7	80,8	52	312,7	84,0	49	298,8	89,2	45
	18	367,8	76,0	68	344,7	83,5	60	335,1	86,8	57	320,2	91,9	52
280	5	281,0	71,6	40	263,5	79,2	35	256,1	82,6	33	244,6	88,0	30
	7	298,3	73,5	45	279,7	81,2	39	271,8	84,6	37	259,6	90,1	34
	9	315,6	75,4	50	295,8	83,2	44	287,5	86,7	42	274,5	92,1	38
	11	332,9	77,4	56	311,9	85,3	49	303,1	88,7	46	289,5	94,2	42
	13	350,2	79,3	62	328,1	87,3	54	318,8	90,8	51	304,4	96,3	47
	15	367,6	81,2	68	344,2	89,3	60	334,5	92,8	56	319,4	98,4	51
	18	393,5	84,1	78	368,4	92,3	68	357,9	95,9	65	341,8	101,5	59
300	5	309,3	76,6	30	289,1	85,4	26	280,6	89,3	25	267,1	95,5	22
	7	327,3	78,4	34	306,2	87,3	29	297,2	91,3	28	283,2	97,6	25
	9	345,3	80,2	37	323,2	89,3	33	313,9	93,3	31	299,3	99,6	28
	11	363,3	82,1	41	340,3	91,2	36	330,6	95,2	34	315,4	101,7	31
	13	381,2	83,9	45	357,3	93,2	40	347,2	97,2	38	331,4	103,7	34
	15	399,2	85,7	50	374,4	95,1	44	363,9	99,2	41	347,5	105,7	38
	18	426,2	88,4	57	400,0	98,0	50	388,9	102,2	47	371,6	108,8	43
330	5	331,7	79,4	34	310,6	88,5	30	301,7	92,5	28	287,8	98,9	26
	7	350,9	81,1	39	328,9	90,3	34	319,6	94,3	32	305,1	100,8	29
	9	370,1	82,8	43	347,2	92,1	38	337,5	96,2	36	322,5	102,7	33
	11	389,3	84,6	47	365,5	94,0	42	355,5	98,1	40	339,8	104,7	36
	13	408,4	86,3	52	383,8	95,8	46	373,4	100,0	44	357,1	106,6	40
	15	427,6	88,0	57	402,1	97,6	51	391,3	101,8	48	374,5	108,5	44
	18	456,4	90,6	65	429,5	100,4	58	418,2	104,7	55	400,5	111,4	50
360	5	361,0	91,2	41	337,3	101,3	36	327,4	105,8	34	311,9	112,9	30
	7	380,5	93,2	45	355,9	103,5	40	345,6	108,0	37	329,5	115,2	34
	9	400,0	95,3	50	374,5	105,7	44	363,8	110,3	41	347,1	117,5	38
	11	419,5	97,4	55	393,1	107,9	48	382,0	112,5	46	364,8	119,8	42
	13	439,0	99,4	60	411,7	110,1	53	400,2	114,8	50	382,4	122,1	46
	15	458,5	101,5	66	430,3	112,3	58	418,4	117,0	55	400,0	124,5	50
	18	487,7	104,6	74	458,2	115,6	66	445,7	120,4	62	426,4	127,9	57

(*) Only Compressors.

Model	LWT °C	Condensing Air Temperature °C								
		38			40			42		
		Cool	Input Power (*)	Pressure Drop	Cool	Input Power (*)	Pressure Drop	Cool	Input Power (*)	Pressure Drop
		kW	kW	kPa	kW	kW	kPa	kW	kW	kPa
140	5	119,0	45,6	18	114,5	47,5	17	110,0	49,5	16
	7	126,2	46,5	21	121,5	48,4	19	116,7	50,4	18
	9	133,4	47,4	23	128,5	49,4	22	123,5	51,4	20
	11	140,6	48,4	26	135,5	50,3	24			
	13	147,9	49,3	29	142,5	51,2	26			
	15	155,1	50,2	31						
	18	166,0	51,6	36						
170	5	137,9	55,9	25	132,8	58,0	23	127,5	60,2	21
	7	145,7	57,1	28	140,3	59,2	26	134,7	61,4	24
	9	153,4	58,4	31	147,8	60,5	28	142,0	62,7	26
	11	161,2	59,7	34	155,3	61,8	31			
	13	168,9	60,9	37	162,8	63,0	35			
	15	176,7	62,2	41						
	18	188,3	64,1	46						
200	5	164,4	60,4	28	158,9	62,8	26	153,3	65,4	24
	7	174,5	61,7	32	168,8	64,1	30	162,8	66,7	27
	9	184,7	63,0	35	178,6	65,5	33	172,4	68,1	31
	11	194,9	64,3	39	188,5	66,8	37			
	13	205,0	65,6	44	198,3	68,1	41			
	15	215,2	66,9	48						
	18	230,4	68,9	55						
230	5	187,8	76,5	23	180,6	79,9	21	173,1	83,4	20
	7	199,2	78,2	26	191,6	81,6	24	183,7	85,1	22
	9	210,6	79,9	29	202,6	83,3	27	194,4	86,8	25
	11	222,0	81,7	32	213,6	85,0	30			
	13	233,4	83,4	36	224,7	86,7	33			
	15	244,8	85,1	39						
	18	261,9	87,6	45						
260	5	216,4	85,3	24	208,7	89,1	22	200,8	93,1	20
	7	230,0	87,2	27	221,9	91,0	25	213,5	95,0	23
	9	243,6	89,0	30	235,0	92,9	28	226,2	96,8	26
	11	257,2	90,9	33	248,1	94,7	31			
	13	270,8	92,8	37	261,3	96,6	34			
	15	284,3	94,7	41						
	18	304,7	97,5	47						
280	5	232,6	93,8	27	224,3	97,9	25	215,8	102,1	23
	7	246,8	95,9	31	238,0	100,0	29	229,0	104,3	26
	9	261,0	98,0	34	251,8	102,1	32	242,2	106,4	30
	11	275,3	100,1	38	265,5	104,2	36			
	13	289,5	102,2	42	279,2	106,4	39			
	15	303,7	104,3	47						
	18	325,0	107,5	53						
300	5	253,0	102,3	20	243,3	107,1	19	233,2	112,0	17
	7	268,5	104,4	23	258,3	109,2	21	247,9	114,2	19
	9	284,0	106,5	25	273,4	111,3	23	262,5	116,3	22
	11	299,4	108,5	28	288,4	113,4	26			
	13	314,9	110,6	31	303,5	115,5	29			
	15	330,4	112,7	34						
	18	353,6	115,8	39						
330	5	273,3	105,8	23	263,2	110,7	22	252,9	115,8	20
	7	290,0	107,8	26	279,5	112,7	24	268,8	117,8	23
	9	306,7	109,7	29	295,9	114,7	27	284,7	119,8	25
	11	323,5	111,7	33	312,2	116,7	30			
	13	340,2	113,7	36	328,5	118,7	34			
	15	356,9	115,7	40						
	18	382,0	118,6	46						
360	5	295,8	120,4	27	284,8	125,8	25	273,4	131,3	23
	7	312,8	122,8	31	301,3	128,2	28	289,6	133,8	26
	9	329,8	125,2	34	317,9	130,6	32	305,7	136,2	29
	11	346,8	127,6	38	334,5	133,1	35			
	13	363,8	130,0	41	351,1	135,5	39			
	15	380,9	132,4	45						
	18	406,4	136,0	52						

(*) Only Compressors.

Model	LWT °C	Condensing Air Temperature °C														
		40			42			45			48			50		
		Cool	Input Power (*)	Pressure Drop	Cool	Input Power (*)	Pressure Drop	Cool	Input Power (*)	Pressure Drop	Cool	Input Power (*)	Pressure Drop	Cool	Input Power (*)	Pressure Drop
		kW	kW	kPa	kW	kW	kPa	kW	kW	kPa	kW	kW	kPa	kW	kW	kPa
140	5	126,6	42,2	21	122,3	44,1	19	115,5	47,0	17	108,4	50,1	15	103,5	52,3	14
	7	135,1	42,9	24	130,6	44,8	22	123,4	47,7	20	115,9	50,8	18			
	9	143,7	43,6	27	138,9	45,4	25	131,4	48,3	22	123,5	51,5	20			
	11	152,3	44,2	30	147,2	46,1	28	139,3	49,0	25	131,0	52,1	22			
	13	160,8	44,9	34	155,5	46,7	32	147,2	49,7	28						
	15	169,4	45,6	37	163,8	47,4	35	155,2	50,3	31						
170	5	148,8	51,6	29	143,7	53,6	27	135,9	56,7	24	127,7	60,0	21	122,1	62,3	19
	7	158,3	52,6	33	153,0	54,6	30	144,7	57,7	27	136,1	60,9	24			
	9	167,8	53,5	37	162,2	55,5	34	153,5	58,6	31	144,5	61,9	27			
	11	177,2	54,4	41	171,4	56,5	38	162,3	59,6	34	152,9	62,8	30			
	13	186,7	55,4	45	180,6	57,4	43	171,1	60,5	38						
	15	196,2	56,3	50	189,8	58,3	47	179,9	61,5	42						
200	5	173,2	56,7	31	167,8	59,0	29	159,4	62,7	26	150,8	66,6	24	144,9	69,4	22
	7	184,9	57,6	35	179,2	60,0	33	170,4	63,7	30	161,3	67,6	27			
	9	196,7	58,5	40	190,6	60,9	38	181,3	64,6	34	171,7	68,5	31			
	11	208,4	59,4	45	202,1	61,8	42	192,3	65,6	38	182,2	69,5	34			
	13	220,2	60,4	50	213,5	62,8	47	203,3	66,5	43						
	15	231,9	61,3	56	224,9	63,7	52	214,2	67,5	48						
230	5	201,5	69,9	27	194,5	73,1	25	183,6	78,0	22	172,1	83,3	19	164,2	87,0	18
	7	215,4	71,1	30	208,0	74,2	28	196,5	79,2	25	184,5	84,5	22			
	9	229,3	72,2	35	221,6	75,4	32	209,5	80,4	29	196,8	85,6	25			
	11	243,2	73,3	39	235,1	76,5	36	222,4	81,5	32	209,2	86,8	29			
	13	257,2	74,5	43	248,6	77,7	41	235,4	82,7	36						
	15	271,1	75,6	48	262,1	78,8	45	248,3	83,8	41						
260	5	230,4	78,3	27	223,0	81,9	25	211,4	87,5	23	199,4	93,5	20	191,1	97,6	18
	7	246,6	79,6	31	238,7	83,2	29	226,4	88,8	26	213,7	94,8	23			
	9	262,9	80,9	35	254,5	84,5	33	241,5	90,1	29	228,0	96,1	26			
	11	279,1	82,2	39	270,2	85,7	37	256,5	91,4	33	242,3	97,4	30			
	13	295,3	83,4	44	286,0	87,0	41	271,6	92,7	37						
	15	311,5	84,7	49	301,7	88,3	46	286,6	94,0	41						
280	5	249,3	85,6	31	241,2	89,4	29	228,7	95,4	26	215,8	101,8	23	206,9	106,3	22
	7	266,6	87,0	36	258,0	90,8	34	244,7	96,9	30	231,0	103,3	27			
	9	283,8	88,4	41	274,7	92,3	38	260,7	98,3	34	246,2	104,8	31			
	11	301,1	89,8	46	291,5	93,7	43	276,7	99,8	39	261,4	106,2	34			
	13	318,3	91,2	51	308,3	95,1	48	292,7	101,2	43						
	15	335,6	92,7	57	325,0	96,6	53	308,7	102,7	48						
300	5	271,3	93,5	23	261,8	98,0	21	247,1	105,0	19	231,8	112,6	17	221,4	117,9	15
	7	289,4	94,8	26	279,5	99,3	24	264,2	106,4	22	248,3	114,0	19			
	9	307,5	96,1	30	297,2	100,6	28	281,3	107,8	25	264,8	115,4	22			
	11	325,6	97,4	33	315,0	102,0	31	298,4	109,1	28	281,2	116,7	25			
	13	343,8	98,7	37	332,7	103,3	35	315,5	110,5	31						
	15	361,9	100,1	41	350,4	104,6	38	332,7	111,8	35						
330	5	290,3	97,6	26	280,5	102,2	25	265,3	109,5	22	249,5	117,3	19	238,7	122,8	18
	7	309,6	98,8	30	299,3	103,5	28	283,5	110,8	25	267,1	118,6	22			
	9	328,8	100,1	34	318,2	104,7	32	301,7	112,1	28	284,7	120,0	25			
	11	348,0	101,3	38	337,0	106,0	36	320,0	113,4	32	302,3	121,3	29			
	13	367,3	102,6	42	355,9	107,3	40	338,2	114,7	36						
	15	386,5	103,8	47	374,7	108,6	44	356,4	116,0	40						
360	5	318,2	109,9	32	307,4	115,0	30	290,6	122,9	26	273,3	131,4	23	261,4	137,3	21
	7	338,1	111,4	36	326,9	116,5	33	309,5	124,5	30	291,5	133,0	27			
	9	358,0	112,9	40	346,4	118,0	38	328,4	126,0	34	309,7	134,6	30			
	11	378,0	114,4	45	365,9	119,5	42	347,3	127,6	38	328,0	136,2	34			
	13	397,9	115,8	50	385,4	121,0	46	366,1	129,2	42						
	15	417,8	117,3	55	404,9	122,5	51	385,0	130,7	46						

(*) Only Compressors.

Model	LWT °C	Condensing Air Temperature °C											
		40			42			45			48		
		Cool	Input Power (*)	Pressure Drop	Cool	Input Power (*)	Pressure Drop	Cool	Input Power (*)	Pressure Drop	Cool	Input Power (*)	Pressure Drop
		kW	kW	kPa	kW	kW	kPa	kW	kW	kPa	kW	kW	kPa
140	5	118,5	43,3	18	114,3	45,2	17	107,6	48,2	15	100,6	51,4	13
	7	126,6	43,9	21	122,2	45,8	19	115,1	48,8	17			
	9	134,8	44,6	24	130,1	46,5	22	122,7	49,5	20			
	11	143,0	45,2	27	138,0	47,1	25	130,2	50,1	22			
	13	151,1	45,8	30	145,9	47,7	28	137,7	50,8	25			
	15	159,3	46,5	33	153,8	48,4	31	145,3	51,4	27			
170	5	134,5	52,8	24	129,7	54,8	22	122,3	58,1	19	114,6	61,5	17
	7	143,1	53,8	27	138,1	55,8	25	130,3	59,1	22			
	9	151,8	54,8	30	146,5	56,8	28	138,3	60,0	25			
	11	160,5	55,7	34	154,9	57,8	31	146,3	61,0	28			
	13	169,2	56,7	37	163,4	58,8	35	154,4	62,0	31			
	15	177,8	57,7	41	171,8	59,8	38	162,4	63,0	34			
200	5	158,2	57,4	26	153,0	59,8	24	145,1	63,5	22	136,8	67,6	19
	7	169,0	58,3	30	163,6	60,7	28	155,2	64,5	25			
	9	179,8	59,2	33	174,1	61,7	31	165,2	65,5	28			
	11	190,6	60,2	38	184,6	62,6	35	175,3	66,4	32			
	13	201,5	61,1	42	195,1	63,5	39	185,4	67,4	36			
	15	212,3	62,0	47	205,6	64,5	44	195,5	68,3	40			
230	5	184,6	70,3	22	177,9	73,5	21	167,4	78,6	18	156,4	84,0	16
	7	197,6	71,5	26	190,5	74,7	24	179,4	79,7	21			
	9	210,5	72,6	29	203,0	75,8	27	191,4	80,9	24			
	11	223,4	73,8	33	215,6	77,0	31	203,4	82,0	27			
	13	236,3	74,9	37	228,1	78,1	34	215,3	83,2	30			
	15	249,3	76,0	41	240,7	79,3	38	227,3	84,3	34			
260	5	211,3	80,0	23	204,2	83,6	21	193,1	89,4	19	181,5	95,6	17
	7	226,4	81,2	26	218,8	84,9	24	207,0	90,7	22			
	9	241,5	82,5	29	233,4	86,2	27	220,9	92,0	25			
	11	256,5	83,8	33	248,0	87,4	31	234,9	93,3	28			
	13	271,6	85,0	37	262,7	88,7	35	248,8	94,5	31			
	15	286,7	86,3	41	277,3	90,0	39	262,8	95,8	35			
280	5	226,7	87,4	26	219,1	91,3	24	207,2	97,5	22	194,9	104,2	19
	7	242,6	88,8	30	234,4	92,7	28	221,8	99,0	25			
	9	258,4	90,2	34	249,8	94,2	31	236,5	100,4	28			
	11	274,3	91,6	38	265,2	95,6	35	251,1	101,8	32			
	13	290,2	93,0	42	280,6	97,0	40	265,8	103,3	36			
	15	306,0	94,4	47	296,0	98,4	44	280,4	104,7	40			
300	5	266,6	98,6	22	257,2	103,3	21	242,6	110,8	18	227,5	118,7	16
	7	284,9	99,9	25	275,1	104,6	24	259,8	112,1	21			
	9	303,1	101,2	29	292,9	105,9	27	277,1	113,4	24			
	11	321,4	102,5	32	310,7	107,2	30	294,3	114,8	27			
	13	339,6	103,8	36	328,6	108,6	34	311,5	116,1	30			
	15	357,8	105,1	40	346,4	109,9	38	328,7	117,4	34			
330	5	296,3	112,8	27	285,8	118,0	26	269,5	126,2	23	252,7	135,0	20
	7	315,5	114,4	31	304,5	119,6	29	287,6	127,9	26			
	9	334,6	116,0	35	323,3	121,2	33	305,7	129,5	29			
	11	353,8	117,5	39	342,0	122,8	37	323,8	131,1	33			
	13	372,9	119,1	43	360,7	124,4	41	341,9	132,8	37			
	15	392,1	120,6	48	379,5	126,0	45	360,0	134,4	41			
360	5	296,3	112,8	27	285,8	118,0	26	269,5	126,2	23	252,7	135,0	20
	7	315,5	114,4	31	304,5	119,6	29	287,6	127,9	26			
	9	334,6	116,0	35	323,3	121,2	33	305,7	129,5	29			
	11	353,8	117,5	39	342,0	122,8	37	323,8	131,1	33			
	13	372,9	119,1	43	360,7	124,4	41	341,9	132,8	37			
	15	392,1	120,6	48	379,5	126,0	45	360,0	134,4	41			

(*) Only Compressors.

Heating Capacities - SyScroll Air HP STD/EC/HPF - Version

Model	LWT °C	Ambient Air Temperature °C											
		-7			-5			-3			0		
		Heat	Input Power (*)	Pressure Drop	Heat	Input Power (*)	Pressure Drop	Heat	Input Power (*)	Pressure Drop	Heat	Input Power (*)	Pressure Drop
		kW	kW	kPa	kW	kW	kPa	kW	kW	kPa	kW	kW	kPa
140	30	107,2	26,9	15	111,5	27,0	16	116,4	27,1	18	124,8	27,2	20
	35	106,8	30,6	15	111,0	30,7	16	115,7	30,8	17	124,0	31,0	20
	40	106,3	34,3	15	110,5	34,4	16	115,1	34,6	17	123,1	34,8	20
	45				109,9	38,2	16	114,5	38,4	17	122,2	38,6	19
	50										121,3	42,4	19
170	30	122,6	31,3	20	127,5	31,6	21	133,1	31,9	23	142,8	32,4	27
	35	122,3	35,7	20	127,1	35,9	21	132,5	36,2	23	141,8	36,6	26
	40	122,1	40,1	19	126,7	40,3	21	131,9	40,5	23	140,9	40,8	26
	45				126,3	44,6	21	131,3	44,7	22	139,9	45,0	26
	50										138,9	49,1	25
200	30	150,5	36,0	23	155,8	36,5	25	162,1	36,9	27	173,6	37,5	31
	35	149,5	40,7	23	154,6	41,2	25	160,7	41,7	27	171,7	42,3	31
	40	148,5	45,4	23	153,4	46,0	24	159,3	46,4	26	169,9	47,1	30
	45				152,2	50,7	24	157,9	51,2	26	168,0	51,8	29
	50										166,2	56,6	29
230	30	167,9	41,6	19	174,8	41,8	20	182,6	42,0	22	196,0	42,3	25
	35	168,2	48,0	19	174,9	48,2	20	182,4	48,4	22	195,3	48,6	25
	40	168,5	54,5	19	174,9	54,6	20	182,2	54,7	22	194,5	54,9	25
	45				175,0	61,0	20	181,9	61,0	22	193,8	61,2	25
	50										193,1	67,4	24
260	30	192,5	48,3	19	200,4	48,4	20	209,4	48,6	22	225,0	48,9	26
	35	192,6	55,4	19	200,3	55,6	20	209,0	55,7	22	223,9	55,9	25
	40	192,7	62,6	19	200,1	62,7	20	208,5	62,8	22	222,8	63,0	25
	45				200,0	69,8	20	208,1	69,9	22	221,8	70,1	25
	50										220,7	77,1	25
280	30	205,5	52,2	21	213,8	52,3	23	223,2	52,5	25	239,5	52,8	29
	35	205,7	59,7	21	213,8	59,9	23	222,9	60,0	25	238,6	60,3	29
	40	205,9	67,2	21	213,7	67,4	23	222,5	67,5	25	237,6	67,8	28
	45				213,7	74,9	23	222,2	75,1	25	236,6	75,3	28
	50										235,7	82,8	28
300	30	223,9	55,6	16	232,9	55,7	17	243,2	55,8	18	260,8	55,9	21
	35	224,9	64,5	16	233,6	64,5	17	243,5	64,6	19	260,5	64,7	21
	40	226,0	73,4	16	234,4	73,4	17	243,9	73,4	19	260,1	73,4	21
	45				235,1	82,2	17	244,2	82,2	19	259,8	82,2	21
	50										259,4	90,9	21
330	30	239,7	58,9	18	249,6	59,1	19	260,8	59,3	21	280,1	59,5	25
	35	240,5	68,3	18	250,0	68,4	20	260,8	68,5	21	279,3	68,6	24
	40	241,2	77,7	18	250,4	77,6	20	260,8	77,6	21	278,4	77,7	24
	45				250,8	86,9	20	260,8	86,8	21	277,6	86,8	24
	50										276,8	96,0	24
360	30	267,9	66,7	22	276,0	66,8	24	286,3	66,9	26	305,7	67,1	29
	35	266,4	76,6	22	276,6	76,7	24	288,2	76,9	26	308,2	77,1	30
	40	264,9	86,5	22	277,2	86,7	24	290,2	86,9	26	310,7	87,1	30
	45				277,9	96,6	24	292,1	96,8	27	313,1	97,2	31
	50										315,6	107,2	31

(*) Only Compressors.

Model	LWT °C	Ambient Air Temperature °C											
		5			7			10			15		
		Heat	Input Power (*)	Pressure Drop	Heat	Input Power (*)	Pressure Drop	Heat	Input Power (*)	Pressure Drop	Heat	Input Power (*)	Pressure Drop
		kW	kW	kPa	kW	kW	kPa	kW	kW	kPa	kW	kW	kPa
140	30	142,0	27,5	26	149,9	27,7	29	162,9	27,95	35	187,6	28,4	46
	35	140,5	31,4	26	148,0	31,5	29	160,5	31,76	34	184,0	32,2	44
	40	138,9	35,2	25	146,2	35,4	28	158,1	35,58	33	180,4	35,9	42
	45	137,4	39,1	25	144,4	39,2	27	155,6	39,40	32	176,8	39,7	41
	50	135,9	42,9	24	142,5	43,0	26	153,2	43,22	31	173,2	43,4	39
170	30	162,4	33,3	34	171,4	33,7	38	186,3	34,35	45	214,5	35,5	60
	35	160,6	37,4	34	169,3	37,8	37	183,6	38,39	44	210,6	39,5	58
	40	158,9	41,5	33	167,2	41,8	36	180,8	42,43	43	206,6	43,6	56
	45	157,2	45,6	32	165,1	45,9	36	178,1	46,48	41	202,7	47,6	54
	50	155,4	49,7	31	163,0	50,0	35	175,4	50,52	40	198,7	51,7	51
200	30	197,9	38,3	41	209,5	38,5	45	228,9	38,77	54	266,4	39,0	74
	35	195,0	43,0	39	206,1	43,3	44	224,6	43,49	52	260,3	43,6	70
	40	192,2	47,8	38	202,7	48,0	43	220,3	48,20	50	254,2	48,2	67
	45	189,3	52,6	37	199,3	52,7	41	216,0	52,91	48	248,2	52,9	64
	50	186,4	57,3	36	195,9	57,5	40	211,7	57,62	46	242,1	57,5	61
230	30	223,0	42,9	33	235,4	43,2	36	255,7	43,56	43	294,3	44,2	57
	35	221,1	49,1	32	233,0	49,4	36	252,4	49,72	42	289,2	50,4	55
	40	219,3	55,3	32	230,6	55,5	35	249,1	55,89	41	284,2	56,6	53
	45	217,4	61,5	31	228,2	61,7	34	245,8	62,05	40	279,1	62,7	51
	50	215,5	67,7	31	225,8	67,9	33	242,6	68,22	39	274,1	68,9	49
260	30	256,2	49,4	33	270,5	49,6	37	294,0	49,99	44	338,6	50,7	58
	35	253,8	56,4	32	267,5	56,6	36	289,9	56,96	42	332,4	57,6	56
	40	251,4	63,4	32	264,5	63,6	35	285,8	63,93	41	326,2	64,6	54
	45	249,0	70,4	31	261,4	70,6	34	281,7	70,91	40	320,0	71,5	52
	50	246,6	77,4	31	258,4	77,6	34	277,6	77,88	39	313,8	78,4	50
280	30	272,4	53,4	37	287,5	53,6	42	312,4	54,04	49	359,6	54,8	65
	35	270,1	60,9	37	284,6	61,1	41	308,3	61,51	48	353,3	62,3	63
	40	267,8	68,3	36	281,6	68,6	40	304,3	68,98	47	347,0	69,7	61
	45	265,5	75,8	36	278,6	76,1	39	300,2	76,45	45	340,8	77,2	59
	50	263,2	83,3	35	275,7	83,6	38	296,1	83,92	44	334,5	84,6	56
300	30	296,4	56,2	27	312,8	56,3	31	339,6	56,49	36	390,5	56,8	48
	35	294,5	64,9	27	310,1	65,0	30	335,7	65,10	35	384,1	65,4	46
	40	292,6	73,5	27	307,4	73,6	30	331,7	73,70	34	377,6	73,9	45
	45	290,6	82,2	26	304,7	82,2	29	327,8	82,31	34	371,2	82,5	43
	50	288,7	90,9	26	302,1	90,9	29	323,8	90,91	33	364,7	91,0	42
330	30	318,5	59,7	32	336,2	59,8	35	365,1	59,81	42	419,7	59,8	55
	35	316,0	68,9	31	332,9	69,0	35	360,4	69,21	41	412,3	69,6	53
	40	313,5	78,0	31	329,6	78,2	34	355,7	78,61	40	405,0	79,4	51
	45	311,0	87,2	30	326,2	87,5	33	351,0	88,01	39	397,6	89,2	49
	50	308,5	96,4	30	322,9	96,7	33	346,3	97,41	38	390,2	99,0	48
360	30	348,8	67,5	38	369,8	67,7	43	405,3	68,13	51	475,2	68,9	71
	35	348,2	77,6	38	366,6	77,8	42	396,7	78,06	49	453,7	78,6	64
	40	347,6	87,6	38	363,4	87,8	41	388,1	88,00	47	432,2	88,4	58
	45	347,0	97,6	38	360,2	97,8	41	379,5	97,93	45	410,7	98,1	53
	50	346,4	107,7	38	357,0	107,8	40	370,9	107,87	43	389,1	107,9	47

(*) Only Compressors.

Cooling Capacities - SyScroll Air HP STD/EC L Version

Model	LWT °C	Condensing Air Temperature °C											
		25			30			32			35		
		Cool	Input Power (*)	Pressure Drop	Cool	Input Power (*)	Pressure Drop	Cool	Input Power (*)	Pressure Drop	Cool	Input Power (*)	Pressure Drop
		kW	kW	kPa	kW	kW	kPa	kW	kW	kPa	kW	kW	kPa
140	5	142,6	32,9	26	134,3	36,4	23	130,7	37,9	22	125,0	40,4	20
	7	152,0	33,6	30	143,1	37,1	27	139,3	38,6	25	133,3	41,1	23
	9	161,4	34,4	34	151,9	37,8	30	147,9	39,4	28	141,5	41,8	26
	11	170,7	35,1	38	160,7	38,6	34	156,5	40,1	32	149,8	42,6	29
	13	180,1	35,9	42	169,6	39,3	37	165,1	40,8	36	158,0	43,3	33
	15	189,5	36,6	47	178,4	40,1	41	173,7	41,6	39	166,3	44,0	36
170	18	203,6	37,8	54	191,6	41,2	48	186,6	42,7	45	178,6	45,1	42
	5	161,6	41,7	34	151,8	45,6	30	147,6	47,3	28	141,1	50,0	26
	7	171,5	42,7	38	161,1	46,6	34	156,7	48,3	32	149,8	51,1	29
	9	181,5	43,6	43	170,4	47,6	38	165,8	49,4	36	158,5	52,1	33
	11	191,4	44,5	48	179,8	48,6	42	174,9	50,4	40	167,2	53,2	36
	13	201,4	45,5	53	189,1	49,7	47	183,9	51,4	44	175,9	54,3	40
200	15	211,3	46,4	58	198,4	50,7	51	193,0	52,5	49	184,6	55,3	44
	18	226,2	47,8	67	212,4	52,2	59	206,6	54,0	56	197,6	56,9	51
	5	188,5	44,7	37	177,9	48,8	33	173,4	50,6	31	166,4	53,7	29
	7	201,4	45,4	42	189,9	49,7	37	185,0	51,6	35	177,5	54,7	33
	9	214,3	46,2	48	201,8	50,6	42	196,6	52,5	40	188,6	55,6	37
	11	227,1	46,9	53	213,7	51,5	47	208,2	53,4	45	199,7	56,6	41
230	13	240,0	47,7	60	225,7	52,3	53	219,8	54,4	50	210,7	57,6	46
	15	252,9	48,4	66	237,6	53,2	58	231,4	55,3	55	221,8	58,6	51
	18	272,2	49,6	77	255,5	54,6	68	248,7	56,7	64	238,4	60,1	59
	5	222,4	53,1	32	209,4	58,9	29	203,7	61,5	27	194,8	65,7	25
	7	237,3	54,2	37	223,3	60,2	33	217,3	62,8	31	207,8	67,0	28
	9	252,2	55,4	42	237,2	61,4	37	230,8	64,0	35	220,8	68,3	32
260	11	267,1	56,5	47	251,2	62,6	41	244,4	65,3	39	233,7	69,5	36
	13	282,0	57,6	52	265,1	63,8	46	257,9	66,5	44	246,7	70,8	40
	15	296,9	58,8	58	279,0	65,1	51	271,5	67,8	48	259,7	72,1	44
	18	319,2	60,5	67	299,9	66,9	59	291,8	69,7	56	279,1	74,0	51
	5	253,1	60,4	32	238,4	66,9	29	232,1	69,8	27	222,4	74,5	25
	7	270,5	61,7	37	254,7	68,3	33	248,0	71,2	31	237,6	75,9	28
280	9	287,8	62,9	42	271,0	69,6	37	263,9	72,6	35	252,9	77,3	32
	11	305,2	64,2	47	287,3	71,0	42	279,8	73,9	39	268,1	78,7	36
	13	322,5	65,5	52	303,7	72,3	47	295,7	75,3	44	283,4	80,1	41
	15	339,9	66,7	58	320,0	73,7	52	311,6	76,7	49	298,6	81,6	45
	18	365,9	68,7	68	344,5	75,7	60	335,5	78,8	57	321,5	83,7	52
	5	271,3	66,3	37	255,4	73,4	33	248,6	76,6	31	238,1	81,7	29
300	7	289,6	67,7	42	272,5	74,9	37	265,3	78,1	36	254,1	83,3	33
	9	307,8	69,2	48	289,7	76,5	42	282,0	79,7	40	270,1	84,9	37
	11	326,1	70,6	54	306,8	78,0	47	298,7	81,3	45	286,1	86,5	41
	13	344,3	72,1	60	323,9	79,6	53	315,4	82,8	50	302,1	88,1	46
	15	362,6	73,6	66	341,1	81,1	59	332,1	84,4	56	318,1	89,7	51
	18	390,0	75,8	77	366,8	83,4	68	357,1	86,8	64	342,1	92,1	59
330	5	301,8	70,6	28	283,2	78,8	25	275,3	82,5	24	262,9	88,4	22
	7	320,8	71,9	32	301,3	80,2	28	293,0	83,9	27	280,1	89,9	25
	9	339,8	73,2	36	319,5	81,6	32	310,8	85,4	30	297,3	91,4	28
	11	358,9	74,5	40	337,6	83,1	36	328,6	86,8	34	314,5	92,9	31
	13	377,9	75,9	45	355,8	84,5	40	346,4	88,3	38	331,8	94,4	34
	15	396,9	77,2	49	373,9	85,9	44	364,2	89,8	41	349,0	95,9	38
360	18	425,4	79,2	57	401,2	88,1	50	390,9	92,0	48	374,8	98,2	44
	5	322,3	73,1	32	302,8	81,6	29	294,5	85,4	27	281,6	91,4	25
	7	342,4	74,4	37	322,0	83,0	32	313,4	86,8	31	299,9	92,9	28
	9	362,4	75,7	41	341,2	84,3	36	332,3	88,2	35	318,3	94,3	32
	11	382,5	77,0	46	360,5	85,7	41	351,1	89,6	39	336,6	95,8	35
	13	402,6	78,3	51	379,7	87,1	45	370,0	91,0	43	354,9	97,2	39
360	15	422,7	79,6	56	399,0	88,5	50	388,9	92,4	47	373,3	98,7	44
	18	452,8	81,5	64	427,8	90,5	57	417,3	94,5	54	400,8	100,8	50
	5	358,1	84,6	40	335,9	94,3	35	326,5	98,5	33	311,9	105,3	30
	7	379,0	86,2	45	355,9	95,9	40	346,2	100,2	37	331,1	107,0	34
	9	400,0	87,8	50	376,0	97,6	44	365,9	101,9	42	350,3	108,8	38
	11	420,9	89,3	55	396,1	99,2	49	385,7	103,6	47	369,4	110,5	43
360	13	441,9	90,9	61	416,2	100,9	54	405,4	105,3	51	388,6	112,3	47
	15	462,8	92,5	67	436,3	102,6	60	425,1	107,0	57	407,8	114,1	52
	18	494,2	94,8	76	466,4	105,1	68	454,7	109,6	65	436,5	116,7	60

(*) Only Compressors.

Model	LWT °C	Condensing Air Temperature °C											
		38			40			42			45		
		Cool	Input Power (*)	Pressure Drop	Cool	Input Power (*)	Pressure Drop	Cool	Input Power (*)	Pressure Drop	Cool	Input Power (*)	Pressure Drop
		kW	kW	kPa	kW	kW	kPa	kW	kW	kPa	kW	kW	kPa
140	5	119,0	43,1	18	114,9	44,9	17	110,6	46,9	16	103,8	50,0	14
	7	126,9	43,8	21	122,5	45,6	20	118,0	47,6	18	110,8	50,7	16
	9	134,8	44,5	24	130,2	46,4	22	125,4	48,3	20	117,9	51,4	18
	11	142,7	45,2	27	137,8	47,1	25	132,8	49,0	23			
	13	150,6	45,9	30	145,5	47,8	28	140,1	49,7	26			
	15	158,5	46,6	33	153,1	48,5	31	147,5	50,5	28			
170	5	134,3	52,9	24	129,6	55,0	22	124,8	57,1	20	117,2	60,5	18
	7	142,6	54,0	27	137,7	56,1	25	132,6	58,2	23	124,7	61,6	20
	9	151,0	55,1	30	145,7	57,1	28	140,4	59,3	26	132,1	62,6	23
	11	159,3	56,2	33	153,8	58,2	31	148,2	60,3	29			
	13	167,6	57,2	37	161,9	59,3	34	156,0	61,4	32			
	15	175,9	58,3	40	169,9	60,4	38	163,8	62,5	35			
200	5	159,1	57,0	26	154,1	59,3	25	148,9	61,8	23	140,9	65,7	21
	7	169,7	58,0	30	164,4	60,3	28	158,9	62,8	26	150,4	66,8	23
	9	180,3	59,0	34	174,6	61,4	32	168,8	63,9	30	159,9	67,8	26
	11	190,9	60,0	38	184,9	62,5	35	178,8	65,0	33			
	13	201,4	61,1	42	195,1	63,5	39	188,7	66,0	37			
	15	212,0	62,1	47	205,4	64,6	44	198,7	67,1	41			
230	5	185,4	70,2	23	178,8	73,4	21	171,9	76,7	19	161,2	82,0	17
	7	197,8	71,5	26	190,8	74,7	24	183,6	78,0	22	172,3	83,3	19
	9	210,2	72,8	29	202,8	76,0	27	195,2	79,3	25	183,3	84,6	22
	11	222,6	74,1	33	214,8	77,3	30	206,8	80,6	28			
	13	235,0	75,4	36	226,8	78,6	34	218,5	81,9	31			
	15	247,4	76,7	40	238,9	79,9	37	230,1	83,2	35			
260	5	212,1	79,6	23	205,1	83,2	21	197,8	87,0	20	186,5	93,0	18
	7	226,7	81,1	26	219,2	84,7	24	211,5	88,5	23	199,5	94,5	20
	9	241,3	82,5	29	233,4	86,1	27	225,2	89,9	26	212,5	95,9	23
	11	255,9	83,9	33	247,5	87,6	31	238,9	91,4	29			
	13	270,5	85,3	37	261,7	89,0	35	252,6	92,8	32			
	15	285,1	86,8	41	275,8	90,4	38	266,3	94,3	36			
280	5	227,1	87,2	26	219,5	91,1	24	211,7	95,1	23	199,6	101,6	20
	7	242,4	88,8	30	234,4	92,7	28	226,1	96,8	26	213,3	103,2	23
	9	257,7	90,4	33	249,2	94,4	31	240,4	98,4	29	226,9	104,9	26
	11	273,0	92,1	38	264,0	96,0	35	254,8	100,1	33			
	13	288,3	93,7	42	278,8	97,6	39	269,1	101,8	37			
	15	303,6	95,3	46	293,7	99,3	43	283,4	103,4	41			
300	5	268,1	97,9	22	258,8	102,6	21	249,2	107,4	19	234,3	115,1	17
	7	285,9	99,4	26	276,1	104,1	24	266,2	108,9	22	250,7	116,7	20
	9	303,6	100,9	29	293,5	105,6	27	283,1	110,5	25	267,0	118,2	22
	11	321,4	102,4	32	310,9	107,1	30	300,1	112,0	28			
	13	339,1	103,9	36	328,2	108,6	34	317,0	113,6	31			
	15	356,9	105,4	40	345,6	110,2	37	334,0	115,1	35			
330	5	296,8	112,6	28	286,4	117,7	26	275,7	123,0	24	259,2	131,5	21
	7	315,4	114,4	31	304,5	119,5	29	293,4	124,9	27	276,2	133,4	24
	9	333,9	116,2	35	322,7	121,4	33	311,1	126,8	30	293,3	135,4	27
	11	352,5	118,0	39	340,8	123,2	36	328,9	128,7	34			
	13	371,1	119,8	43	359,0	125,1	40	346,6	130,6	38			
	15	389,6	121,6	47	377,2	126,9	44	364,3	132,5	42			
360	5	417,5	124,3	55	404,4	129,7	51	390,9	135,3	48			

(*) Only Compressors.

Heating Capacities - SyScroll Air HP STD/EC L Version

Model	LWT °C	Ambient Air Temperature °C											
		-7			-5			-3			0		
		Heat	Input Power (*)	Pressure Drop	Heat	Input Power (*)	Pressure Drop	Heat	Input Power (*)	Pressure Drop	Heat	Input Power (*)	Pressure Drop
		kW	kW	kPa	kW	kW	kPa	kW	kW	kPa	kW	kW	kPa
140	30	103,2	27,0	14	106,6	27,1	15	110,8	27,2	16	118,8	27,4	18
	35	103,0	30,7	14	106,3	30,9	15	110,5	31,0	16	118,3	31,2	18
	40	102,8	34,4	14	106,1	34,6	15	110,2	34,8	16	117,8	35,0	18
	45				105,9	38,3	15	109,9	38,5	16	117,3	38,8	18
	50										116,8	42,7	18
170	30	118,3	31,4	18	122,1	31,6	19	127,0	31,9	21	136,2	32,4	24
	35	118,4	35,9	18	122,1	36,0	19	126,8	36,3	21	135,8	36,6	24
	40	118,5	40,4	18	122,2	40,5	19	126,7	40,6	21	135,3	40,9	24
	45				122,2	44,9	19	126,6	45,0	21	134,8	45,2	24
	50										134,3	49,5	24
200	30	144,0	36,2	21	148,1	36,7	23	153,7	37,1	24	164,5	37,7	28
	35	143,4	41,0	21	147,4	41,5	23	152,8	42,0	24	163,2	42,6	28
	40	142,7	45,8	21	146,7	46,3	22	151,8	46,8	24	161,9	47,4	27
	45				145,9	51,1	22	150,9	51,6	24	160,6	52,2	27
	50										159,3	57,1	26
230	30	162,2	41,9	17	167,6	42,1	18	174,4	42,3	20	187,2	42,6	23
	35	162,9	48,5	17	168,2	48,6	19	174,8	48,7	20	187,1	49,0	23
	40	163,6	55,0	18	168,8	55,1	19	175,1	55,2	20	186,9	55,4	23
	45				169,3	61,6	19	175,5	61,6	20	186,8	61,7	23
	50										186,7	68,1	23
260	30	185,5	48,7	17	191,9	48,8	19	199,7	49,0	20	214,5	49,2	23
	35	186,1	55,9	17	192,3	56,0	19	199,9	56,2	20	214,1	56,4	23
	40	186,7	63,2	18	192,7	63,3	19	200,1	63,4	20	213,7	63,6	23
	45				193,1	70,5	19	200,3	70,6	20	213,3	70,7	23
	50										212,9	77,9	23
280	30	197,8	52,6	20	204,4	52,7	21	212,6	52,9	23	228,0	53,2	26
	35	198,6	60,2	20	204,9	60,3	21	212,9	60,5	23	227,8	60,8	26
	40	199,3	67,8	20	205,5	68,0	21	213,2	68,1	23	227,6	68,4	26
	45				206,1	75,6	21	213,6	75,7	23	227,4	76,0	26
	50										227,1	83,6	26
300	30	217,0	56,5	15	224,2	56,5	16	233,2	56,6	17	250,1	56,8	20
	35	218,6	65,5	15	225,6	65,5	16	234,3	65,6	17	250,5	65,7	20
	40	220,1	74,5	15	227,0	74,5	16	235,4	74,5	17	250,9	74,6	20
	45				228,4	83,5	16	236,5	83,5	17	251,3	83,5	20
	50										251,7	92,4	20
330	30	232,6	60,3	17	240,6	60,4	18	250,5	60,5	20	268,9	60,7	23
	35	233,9	69,7	17	241,7	69,8	18	251,2	69,9	20	268,9	70,0	23
	40	235,1	79,1	17	242,7	79,2	18	252,0	79,2	20	268,9	79,3	23
	45				243,8	88,5	19	252,7	88,6	20	268,9	88,7	23
	50										268,9	98,0	23
360	30	261,3	67,7	21	265,4	67,7	22	272,9	67,8	23	290,4	68,0	26
	35	258,6	77,7	21	266,8	77,8	22	277,0	78,0	24	296,1	78,2	27
	40	255,8	87,7	20	268,2	87,9	22	281,1	88,1	25	301,8	88,5	28
	45				269,5	98,0	23	285,2	98,3	25	307,4	98,7	30
	50										313,1	108,9	31

(*) Only Compressors.

Model	LWT °C	Ambient Air Temperature °C											
		5			7			10			15		
		Heat	Input Power (*)	Pressure Drop	Heat	Input Power (*)	Pressure Drop	Heat	Input Power (*)	Pressure Drop	Heat	Input Power (*)	Pressure Drop
		kW	kW	kPa	kW	kW	kPa	kW	kW	kPa	kW	kW	kPa
140	30	136,6	27,7	24	145,3	27,9	28	159,9	28,14	33	188,7	28,7	46
	35	135,4	31,6	24	143,7	31,7	27	157,7	32,00	32	185,0	32,5	45
	40	134,2	35,4	23	142,1	35,6	26	155,4	35,86	31	181,2	36,3	43
	45	133,0	39,3	23	140,5	39,5	26	153,1	39,73	31	177,5	40,1	41
	50	131,8	43,2	23	139,0	43,3	25	150,8	43,59	30	173,8	43,9	39
170	30	156,9	33,4	32	167,0	33,8	36	184,1	34,60	44	217,8	36,1	62
	35	155,5	37,5	32	165,2	37,9	36	181,5	38,66	43	213,6	40,1	59
	40	154,2	41,7	31	163,3	42,1	35	178,8	42,72	42	209,3	44,1	57
	45	152,8	45,8	30	161,5	46,2	34	176,2	46,78	40	205,1	48,1	55
	50	151,5	50,0	30	159,7	50,3	33	173,6	50,84	39	200,8	52,1	53
200	30	189,6	38,6	37	202,0	38,8	42	223,3	39,15	52	265,6	39,5	73
	35	187,1	43,4	36	199,0	43,6	41	219,2	43,90	50	259,3	44,2	70
	40	184,7	48,2	35	195,9	48,4	40	215,1	48,65	48	253,0	48,8	66
	45	182,3	53,0	34	192,9	53,2	39	211,0	53,40	46	246,7	53,5	63
	50	179,8	57,8	34	189,9	58,0	37	206,9	58,15	44	240,5	58,1	60
230	30	215,3	43,2	30	229,0	43,5	34	252,0	44,00	42	297,3	44,9	58
	35	214,0	49,5	30	227,0	49,8	34	248,9	50,22	41	291,9	51,0	56
	40	212,6	55,8	30	225,0	56,0	33	245,8	56,44	40	286,5	57,2	54
	45	211,2	62,1	29	223,0	62,3	33	242,7	62,66	39	281,1	63,4	52
	50	209,9	68,4	29	221,0	68,5	32	239,5	68,88	38	275,7	69,6	50
260	30	246,9	49,8	31	262,5	50,0	35	289,0	50,48	42	340,8	51,3	59
	35	245,0	56,9	30	260,0	57,1	34	285,1	57,52	41	334,3	58,3	56
	40	243,2	64,0	30	257,4	64,2	33	281,2	64,56	40	327,7	65,3	54
	45	241,4	71,1	29	254,8	71,3	33	277,3	71,61	39	321,1	72,3	52
	50	239,6	78,2	29	252,2	78,4	32	273,4	78,65	38	314,5	79,3	50
280	30	262,2	53,8	35	278,9	54,1	39	307,0	54,56	48	362,2	55,5	66
	35	260,5	61,4	34	276,4	61,6	39	303,1	62,10	46	355,5	63,0	64
	40	258,8	68,9	34	273,9	69,2	38	299,3	69,65	45	348,9	70,5	61
	45	257,1	76,5	33	271,4	76,8	37	295,4	77,20	44	342,2	78,0	59
	50	255,4	84,1	33	268,9	84,3	36	291,5	84,75	43	335,5	85,5	57
300	30	287,1	57,0	26	305,1	57,2	29	335,4	57,38	35	394,9	57,8	49
	35	285,9	65,9	26	302,9	66,0	29	331,7	66,12	34	388,0	66,4	47
	40	284,6	74,7	25	300,8	74,8	28	328,0	74,86	34	381,1	75,1	45
	45	283,3	83,5	25	298,6	83,5	28	324,2	83,60	33	374,2	83,7	44
	50	282,0	92,3	25	296,4	92,3	27	320,5	92,34	32	367,2	92,4	42
330	30	308,9	61,0	30	328,2	61,2	34	360,7	61,45	41	424,2	62,0	56
	35	307,1	70,3	29	325,4	70,4	33	356,2	70,67	40	416,4	71,1	54
	40	305,2	79,6	29	322,6	79,7	33	351,8	79,89	39	408,5	80,3	52
	45	303,4	88,9	29	319,8	89,0	32	347,3	89,12	38	400,6	89,4	50
	50	301,5	98,2	28	317,0	98,2	31	342,9	98,34	37	392,8	98,6	48
360	30	336,3	68,5	35	360,5	68,8	41	403,2	69,23	51	491,1	70,2	75
	35	337,8	78,7	36	357,9	78,9	40	391,9	79,28	48	458,5	79,9	66
	40	339,3	88,9	36	355,3	89,1	39	380,6	89,34	45	425,9	89,7	57
	45	340,7	99,1	36	352,7	99,3	39	369,4	99,39	43	393,3	99,4	48
	50	342,2	109,3	37	350,1	109,4	38	358,1	109,44	40	360,7	109,2	41

(*) Only Compressors.

Cooling Capacities - SyScroll Air HP STD/EC S Version

Model	LWT °C	Condensing Air Temperature °C											
		25			30			32			35		
		Cool	Input Power (*)	Pressure Drop	Cool	Input Power (*)	Pressure Drop	Cool	Input Power (*)	Pressure Drop	Cool	Input Power (*)	Pressure Drop
		kW	kW	kPa	kW	kW	kPa	kW	kW	kPa	kW	kW	kPa
140	5	137,2	35,1	25	128,5	38,9	22	124,7	40,5	20	118,8	43,1	18
	7	145,8	36,0	28	136,5	39,8	24	132,5	41,4	23	126,2	44,0	21
	9	154,4	36,9	31	144,4	40,6	27	140,2	42,3	26	133,6	44,9	23
	11	162,9	37,8	35	152,4	41,5	30	148,0	43,1	29	141,0	45,8	26
	13	171,5	38,6	38	160,4	42,4	34	155,7	44,0	32	148,4	46,6	29
	15	180,0	39,5	42	168,4	43,3	37	163,5	44,9	35	155,8	47,5	32
	18	192,8	40,8	48	180,4	44,6	42	175,1	46,2	40	166,9	48,8	36
170	5	154,3	44,7	31	144,1	48,7	27	139,8	50,5	25	133,1	53,4	23
	7	163,2	45,9	35	152,4	50,0	30	147,8	51,8	28	140,7	54,6	26
	9	172,0	47,0	39	160,6	51,2	34	155,9	53,0	32	148,4	55,9	29
	11	180,9	48,2	43	168,9	52,4	37	163,9	54,3	35	156,1	57,2	32
	13	189,8	49,4	47	177,2	53,7	41	171,9	55,5	39	163,7	58,4	35
	15	198,7	50,6	51	185,5	54,9	45	179,9	56,8	42	171,4	59,7	38
	18	212,1	52,4	59	197,9	56,8	51	192,0	58,7	48	182,9	61,6	44
200	5	181,6	47,4	34	170,8	51,8	30	166,2	53,8	29	159,0	57,0	26
	7	193,4	48,4	39	181,7	52,9	34	176,7	55,0	32	169,1	58,2	30
	9	205,3	49,4	44	192,6	54,0	38	187,3	56,1	36	179,1	59,4	33
	11	217,2	50,4	49	203,5	55,2	43	197,8	57,3	41	189,2	60,7	37
	13	229,0	51,3	54	214,4	56,3	48	208,4	58,4	45	199,2	61,9	41
	15	240,9	52,3	60	225,3	57,4	53	219,0	59,6	50	209,2	63,1	45
	18	258,7	53,8	69	241,7	59,1	61	234,8	61,3	57	224,3	64,9	52
230	5	212,7	57,5	30	199,1	63,8	26	193,2	66,6	25	183,9	71,0	22
	7	226,0	59,0	34	211,4	65,4	29	205,2	68,2	28	195,3	72,6	25
	9	239,3	60,5	38	223,8	66,9	33	217,1	69,7	31	206,7	74,2	28
	11	252,7	62,0	42	236,1	68,5	37	229,1	71,3	34	218,1	75,9	31
	13	266,0	63,5	46	248,5	70,1	41	241,1	72,9	38	229,5	77,5	35
	15	279,3	65,0	51	260,9	71,6	45	253,1	74,5	42	240,9	79,1	38
	18	299,3	67,2	59	279,4	74,0	51	271,0	76,9	48	258,0	81,5	44
260	5	242,7	65,0	30	227,6	72,1	26	221,1	75,2	25	211,0	80,2	22
	7	258,4	66,7	34	242,2	73,8	30	235,3	76,9	28	224,6	82,0	25
	9	274,1	68,3	38	256,8	75,5	33	249,5	78,7	31	238,2	83,8	29
	11	289,8	69,9	42	271,5	77,2	37	263,7	80,4	35	251,7	85,6	32
	13	305,4	71,5	47	286,1	78,9	41	277,9	82,2	39	265,3	87,3	35
	15	321,1	73,2	52	300,7	80,6	46	292,1	83,9	43	278,8	89,1	39
	18	344,6	75,6	60	322,7	83,2	53	313,4	86,5	50	299,2	91,8	45
280	5	259,4	71,7	34	242,9	79,4	30	236,0	82,8	28	225,1	88,3	26
	7	275,8	73,5	38	258,2	81,3	34	250,8	84,8	32	239,2	90,3	29
	9	292,1	75,4	43	273,5	83,3	38	265,6	86,8	36	253,3	92,3	32
	11	308,5	77,2	48	288,7	85,2	42	280,4	88,7	40	267,5	94,3	36
	13	324,9	79,1	53	304,0	87,2	47	295,2	90,7	44	281,6	96,3	40
	15	341,3	81,0	59	319,2	89,1	51	310,0	92,7	48	295,7	98,3	44
	18	365,8	83,7	68	342,1	92,0	59	332,2	95,6	56	316,9	101,3	51
300	5	288,5	76,5	26	269,4	85,4	23	261,2	89,3	21	248,4	95,7	19
	7	305,9	78,2	29	285,9	87,2	26	277,3	91,2	24	263,9	97,6	22
	9	323,3	80,0	33	302,4	89,1	29	293,4	93,1	27	279,5	99,6	24
	11	340,8	81,7	36	318,9	91,0	32	309,5	95,0	30	295,0	101,5	27
	13	358,2	83,5	40	335,4	92,8	35	325,7	96,9	33	310,5	103,4	30
	15	375,6	85,2	44	351,8	94,7	39	341,8	98,8	37	326,0	105,4	33
	18	401,8	87,8	50	376,6	97,4	44	365,9	101,6	42	349,3	108,3	38
330	5	309,2	78,8	30	289,2	87,9	26	280,7	91,9	25	267,5	98,3	22
	7	327,8	80,5	34	306,9	89,7	29	298,1	93,7	28	284,2	100,2	25
	9	346,4	82,2	38	324,6	91,5	33	315,4	95,6	31	301,0	102,1	28
	11	365,0	83,9	42	342,3	93,3	37	332,7	97,4	35	317,7	104,0	32
	13	383,6	85,5	46	360,0	95,1	41	350,0	99,2	38	334,4	105,9	35
	15	402,2	87,2	51	377,7	96,9	45	367,3	101,1	42	351,2	107,8	39
	18	430,0	89,7	58	404,2	99,5	51	393,3	103,8	48	376,3	110,6	44
360	5	341,5	91,8	36	318,7	102,1	32	309,1	106,7	30	294,2	113,9	27
	7	360,7	93,8	41	337,0	104,3	36	327,0	108,9	33	311,4	116,2	30
	9	379,9	95,9	45	355,2	106,5	39	344,9	111,1	37	328,7	118,5	34
	11	399,1	98,0	50	373,5	108,7	44	362,8	113,4	41	346,0	120,8	37
	13	418,3	100,0	55	391,8	110,9	48	380,7	115,6	45	363,3	123,1	41
	15	437,5	102,1	60	410,1	113,1	53	398,6	117,9	50	380,6	125,4	45
	18	466,4	105,1	68	437,5	116,4	60	425,4	121,2	57	406,6	128,9	52

(*) Only Compressors.

Model	LWT °C	Condensing Air Temperature °C								
		38			40			42		
		Cool	Input Power (*)	Pressure Drop	Cool	Input Power (*)	Pressure Drop	Cool	Input Power (*)	Pressure Drop
		kW	kW	kPa	kW	kW	kPa	kW	kW	kPa
140	5	112,7	45,9	17	108,4	47,9	15	103,9	49,9	14
	7	119,7	46,8	19	115,1	48,7	17	110,5	50,8	16
	9	126,7	47,7	21	121,9	49,6	19	117,0	51,7	18
	11	133,8	48,5	23	128,7	50,5	22			
	13	140,8	49,4	26	135,5	51,4	24			
	15	147,8	50,3	28						
	18	158,4	51,6	33						
170	5	126,1	56,5	21	121,2	58,6	19	116,2	60,9	18
	7	133,4	57,7	23	128,3	59,9	21	123,1	62,1	20
	9	140,7	59,0	26	135,3	61,1	24	129,9	63,4	22
	11	148,0	60,2	29	142,4	62,4	26			
	13	155,2	61,5	31	149,4	63,7	29			
	15	162,5	62,8	34						
	18	173,5	64,7	39						
200	5	151,6	60,6	24	146,4	63,1	22	141,1	65,7	21
	7	161,1	61,8	27	155,6	64,3	25	150,0	67,0	23
	9	170,7	63,0	30	164,9	65,6	28	159,0	68,3	26
	11	180,2	64,3	34	174,1	66,8	31			
	13	189,8	65,5	37	183,3	68,1	35			
	15	199,3	66,8	41						
	18	213,6	68,6	47						
230	5	174,0	75,8	20	167,1	79,2	18	160,0	82,8	17
	7	184,9	77,4	22	177,6	80,8	21	170,1	84,4	19
	9	195,7	79,1	25	188,1	82,5	23	180,2	86,0	21
	11	206,6	80,7	28	198,6	84,1	26			
	13	217,4	82,3	31	209,0	85,7	29			
	15	228,3	83,9	34						
	18	244,5	86,3	39						
260	5	200,5	85,7	20	193,1	89,5	19	185,6	93,6	17
	7	213,4	87,5	23	205,6	91,3	21	197,6	95,4	20
	9	226,3	89,3	26	218,1	93,2	24	209,6	97,2	22
	11	239,2	91,1	29	230,5	95,0	27			
	13	252,1	92,9	32	243,0	96,8	30			
	15	265,0	94,7	35						
	18	284,4	97,4	41						
280	5	213,8	94,2	23	205,9	98,3	21	197,8	102,7	20
	7	227,2	96,2	26	218,9	100,4	24	210,3	104,7	22
	9	240,6	98,2	29	231,8	102,4	27	222,8	106,8	25
	11	254,0	100,3	33	244,8	104,5	30			
	13	267,4	102,3	36	257,7	106,5	33			
	15	280,9	104,3	40						
	18	301,0	107,4	46						
300	5	234,9	102,5	17	225,6	107,4	16	216,0	112,4	15
	7	249,9	104,5	20	240,1	109,4	18	230,1	114,5	17
	9	264,8	106,5	22	254,6	111,4	20	244,1	116,5	19
	11	279,7	108,5	24	269,1	113,4	23			
	13	294,6	110,4	27	283,6	115,4	25			
	15	309,5	112,4	30						
	18	331,9	115,4	34						
330	5	253,6	105,3	20	244,0	110,2	19	234,1	115,3	17
	7	269,8	107,2	23	259,7	112,1	21	249,4	117,3	19
	9	285,9	109,2	26	275,5	114,1	24	264,7	119,3	22
	11	302,0	111,1	29	291,2	116,1	27			
	13	318,2	113,0	32	306,9	118,1	29			
	15	334,3	115,0	35						
	18	358,5	117,9	40						
360	5	278,6	121,6	24	267,9	127,0	22	256,9	132,7	21
	7	295,3	124,0	27	284,1	129,4	25	272,7	135,1	23
	9	311,9	126,4	30	300,4	131,9	28	288,5	137,6	26
	11	328,6	128,7	34	316,6	134,3	31			
	13	345,3	131,1	37	332,8	136,7	35			
	15	361,9	133,5	41						
	18	386,9	137,1	47						

(*) Only Compressors.

Heating Capacities - SYSCROLL A HP STD/EC S Version

Model	LWT °C	Ambient Air Temperature °C											
		-7			-5			-3			0		
		Heat	Input Power (*)	Pressure Drop	Heat	Input Power (*)	Pressure Drop	Heat	Input Power (*)	Pressure Drop	Heat	Input Power (*)	Pressure Drop
		kW	kW	kPa	kW	kW	kPa	kW	kW	kPa	kW	kW	kPa
140	30	100,1	27,0	13	102,6	27,1	14	106,2	27,2	15	114,0	27,3	17
	35	100,1	30,7	13	102,6	30,8	14	106,2	30,9	15	113,8	31,1	17
	40	100,0	34,4	13	102,6	34,5	14	106,2	34,7	15	113,6	35,0	17
	45				102,7	38,3	14	106,2	38,5	15	113,4	38,8	17
	50										113,2	42,6	17
170	30	114,6	31,2	17	117,3	31,4	18	121,5	31,6	19	130,4	32,1	22
	35	115,0	35,8	17	117,7	35,9	18	121,8	36,0	19	130,4	36,4	22
	40	115,5	40,3	17	118,2	40,4	18	122,1	40,5	19	130,3	40,7	22
	45				118,6	44,9	18	122,4	44,9	20	130,3	45,1	22
	50										130,3	49,4	22
200	30	139,2	36,2	20	142,3	36,7	21	147,0	37,1	22	157,5	37,7	26
	35	138,9	41,1	20	141,9	41,6	21	146,6	42,0	22	156,7	42,6	25
	40	138,6	45,9	20	141,6	46,4	21	146,2	46,9	22	155,9	47,5	25
	45				141,3	51,3	21	145,7	51,8	22	155,0	52,4	25
	50										154,2	57,3	25
230	30	157,2	41,9	16	161,3	42,0	17	167,2	42,2	18	179,4	42,5	21
	35	158,3	48,5	16	162,3	48,6	17	168,1	48,7	19	179,9	49,0	21
	40	159,4	55,2	17	163,4	55,2	18	168,9	55,3	19	180,3	55,4	21
	45				164,4	61,8	18	169,8	61,8	19	180,7	61,9	21
	50										181,1	68,3	22
260	30	179,7	48,7	16	184,5	48,8	17	191,3	49,0	18	205,4	49,2	21
	35	180,7	56,0	16	185,4	56,1	17	192,1	56,2	19	205,7	56,4	21
	40	181,7	63,3	17	186,4	63,4	18	192,8	63,5	19	205,9	63,7	21
	45				187,3	70,7	18	193,6	70,7	19	206,1	70,9	21
	50										206,3	78,1	21
280	30	191,4	52,5	18	196,2	52,6	19	203,3	52,7	21	218,1	53,0	24
	35	192,6	60,1	19	197,4	60,2	20	204,3	60,3	21	218,5	60,6	24
	40	193,7	67,7	19	198,5	67,8	20	205,2	68,0	21	219,0	68,2	24
	45				199,6	75,5	20	206,2	75,6	21	219,4	75,9	24
	50										219,8	83,5	24
300	30	211,0	56,7	14	216,4	56,8	15	224,2	56,9	16	240,4	57,0	18
	35	213,0	65,8	14	218,4	65,8	15	226,0	65,9	16	241,5	66,0	18
	40	215,0	74,9	14	220,3	74,9	15	227,7	74,9	16	242,7	75,0	18
	45				222,3	84,0	15	229,5	84,0	16	243,8	83,9	19
	50										244,9	92,9	19
330	30	225,7	60,6	16	231,8	60,7	17	240,4	60,7	18	258,1	60,9	21
	35	227,5	70,0	16	233,5	70,1	17	241,9	70,2	18	258,8	70,3	21
	40	229,2	79,5	16	235,2	79,5	17	243,3	79,6	19	259,6	79,7	21
	45				236,8	89,0	18	244,7	89,0	19	260,3	89,1	21
	50										261,0	98,5	21
360	30	256,5	68,0	21	256,5	68,0	21	261,1	68,0	21	276,8	68,2	24
	35	252,3	78,0	20	258,5	78,1	21	267,4	78,3	22	285,8	78,5	26
	40	248,0	88,0	19	260,5	88,2	21	273,7	88,5	23	294,8	88,8	27
	45				262,6	98,4	22	280,1	98,7	25	303,8	99,2	29
	50										312,8	109,5	31

(*) Only Compressors.

Model	LWT °C	Ambient Air Temperature °C											
		5			7			10			15		
		Heat	Input Power (*)	Pressure Drop	Heat	Input Power (*)	Pressure Drop	Heat	Input Power (*)	Pressure Drop	Heat	Input Power (*)	Pressure Drop
		kW	kW	kPa	kW	kW	kPa	kW	kW	kPa	kW	kW	kPa
140	30	132,7	27,7	23	142,2	27,9	26	158,8	28,16	33	192,2	28,8	48
	35	131,8	31,6	23	140,9	31,7	26	156,6	32,05	32	188,3	32,6	46
	40	130,8	35,4	22	139,5	35,6	25	154,4	35,94	31	184,3	36,5	44
	45	129,9	39,3	22	138,1	39,5	25	152,2	39,82	30	180,3	40,3	42
	50	128,9	43,2	22	136,7	43,4	24	150,0	43,71	29	176,3	44,2	41
170	30	152,4	33,2	30	163,7	33,7	35	183,3	34,62	44	223,1	36,4	65
	35	151,4	37,3	30	162,1	37,8	34	180,7	38,65	43	218,4	40,4	62
	40	150,3	41,5	29	160,5	41,9	34	178,1	42,69	41	213,8	44,3	60
	45	149,3	45,7	29	158,9	46,1	33	175,6	46,72	40	209,1	48,2	57
	50	148,3	49,9	29	157,4	50,2	32	173,0	50,76	39	204,5	52,1	54
200	30	183,7	38,6	35	197,3	38,9	40	220,9	39,34	51	269,0	39,9	75
	35	181,7	43,5	34	194,5	43,7	39	216,9	44,10	49	262,3	44,5	71
	40	179,6	48,3	33	191,8	48,6	38	212,9	48,86	47	255,7	49,2	68
	45	177,6	53,2	33	189,0	53,4	37	208,9	53,63	45	249,0	53,8	64
	50	175,5	58,0	32	186,3	58,2	36	204,9	58,39	43	242,4	58,4	61
230	30	209,1	43,3	29	224,2	43,6	33	250,3	44,16	41	303,0	45,2	60
	35	208,2	49,6	28	222,5	49,9	33	247,2	50,38	40	297,1	51,4	58
	40	207,2	55,9	28	220,8	56,2	32	244,2	56,59	39	291,2	57,5	56
	45	206,3	62,2	28	219,1	62,4	32	241,2	62,81	38	285,3	63,6	53
	50	205,3	68,5	28	217,4	68,7	31	238,1	69,03	37	279,5	69,8	51
260	30	239,4	49,8	29	256,7	50,1	33	286,4	50,62	41	346,4	51,6	61
	35	238,1	57,0	29	254,4	57,2	33	282,6	57,68	40	339,4	58,6	58
	40	236,7	64,1	28	252,2	64,3	32	278,9	64,74	39	332,3	65,6	56
	45	235,4	71,2	28	250,0	71,4	32	275,1	71,80	38	325,3	72,6	53
	50	234,0	78,4	28	247,8	78,5	31	271,3	78,86	37	318,2	79,5	51
280	30	254,1	53,7	33	272,4	54,0	37	304,2	54,54	47	368,4	55,6	68
	35	252,9	61,2	32	270,3	61,6	37	300,4	62,09	46	361,2	63,1	66
	40	251,7	68,8	32	268,2	69,1	36	296,7	69,63	44	354,0	70,6	63
	45	250,5	76,4	32	266,2	76,7	36	293,0	77,18	43	346,8	78,1	61
	50	249,3	84,0	31	264,1	84,3	35	289,3	84,73	42	339,6	85,6	58
300	30	279,4	57,3	24	299,2	57,4	28	333,4	57,67	35	402,4	58,1	51
	35	278,7	66,2	24	297,5	66,3	28	329,8	66,45	34	394,9	66,8	49
	40	278,0	75,1	24	295,7	75,1	27	326,2	75,24	33	387,4	75,5	47
	45	277,2	84,0	24	293,9	84,0	27	322,6	84,02	33	379,9	84,1	45
	50	276,5	92,8	24	292,2	92,8	27	319,0	92,80	32	372,4	92,8	43
330	30	300,0	61,3	28	321,1	61,5	32	357,5	61,75	40	430,8	62,3	58
	35	298,7	70,6	28	318,8	70,8	32	353,2	71,02	39	422,4	71,5	56
	40	297,5	80,0	28	316,4	80,1	31	348,9	80,30	38	413,9	80,7	54
	45	296,2	89,3	27	314,1	89,4	31	344,6	89,57	37	405,5	89,9	51
	50	295,0	98,6	27	311,8	98,7	30	340,3	98,84	36	397,0	99,1	49
360	30	326,2	68,7	33	354,1	69,1	39	404,8	69,63	51	512,5	70,9	82
	35	329,7	79,0	34	352,0	79,3	39	390,4	79,69	48	467,8	80,5	68
	40	333,3	89,3	35	349,9	89,5	38	376,1	89,75	44	423,1	90,1	56
	45	336,8	99,6	35	347,8	99,7	38	361,7	99,81	41	378,4	99,7	45
	50	340,4	109,9	36	345,7	110,0	37	347,4	109,87	38	333,7	109,3	35

(*) Only Compressors.

Model	LWT °C	Condensing Air Temperature °C														
		40			42			45			48			50		
		Cool	Input Power (*)	Pressure Drop	Cool	Input Power (*)	Pressure Drop	Cool	Input Power (*)	Pressure Drop	Cool	Input Power (*)	Pressure Drop	Cool	Input Power (*)	Pressure Drop
		kW	kW	kPa	kW	kW	kPa	kW	kW	kPa	kW	kW	kPa	kW	kW	kPa
140	5	119,5	42,7	19	115,3	44,6	17	108,7	47,5	15	101,8	50,7	13	96,9	52,9	12
	7	127,8	43,3	21	123,4	45,2	20	116,4	48,2	18	109,0	51,3	15			
	9	136,1	43,9	24	131,4	45,8	23	124,0	48,8	20	116,3	51,9	18			
	11	144,4	44,5	27	139,4	46,4	25	131,7	49,4	23	123,6	52,6	20			
	13	152,7	45,2	30	147,5	47,0	28	139,4	50,0	25						
	15	161,0	45,8	34	155,5	47,7	32	147,0	50,6	28						
170	5	135,8	52,3	24	131,1	54,3	22	123,7	57,5	20	116,0	60,9	18	110,7	63,3	16
	7	144,7	53,2	27	139,7	55,2	25	131,9	58,4	23	123,8	61,8	20			
	9	153,5	54,1	31	148,2	56,2	29	140,1	59,4	26	131,6	62,7	23			
	11	162,3	55,1	34	156,8	57,1	32	148,3	60,3	29	139,4	63,6	25			
	13	171,2	56,0	38	165,4	58,0	36	156,4	61,2	32						
	15	180,0	56,9	42	174,0	59,0	39	164,6	62,2	35						
200	5	159,2	56,9	26	154,1	59,2	25	146,2	63,0	22	137,9	67,0	20	132,2	69,8	18
	7	170,2	57,8	30	164,8	60,1	28	156,4	63,9	25	147,7	67,9	23			
	9	181,2	58,6	34	175,5	61,0	32	166,7	64,8	29	157,6	68,8	26			
	11	192,2	59,5	38	186,2	61,9	36	176,9	65,7	32	167,4	69,7	29			
	13	203,2	60,4	43	196,9	62,8	40	187,2	66,6	36						
	15	214,2	61,3	48	207,6	63,8	45	197,4	67,6	40						
230	5	186,5	69,5	23	179,9	72,7	21	169,4	77,7	19	158,5	83,0	17	150,9	86,7	15
	7	199,7	70,6	26	192,6	73,8	24	181,6	78,8	22	170,1	84,1	19			
	9	212,8	71,7	30	205,4	74,9	28	193,9	79,9	25	181,8	85,2	22			
	11	226,0	72,8	34	218,2	76,0	31	206,1	81,0	28	193,4	86,3	25			
	13	239,1	73,9	38	231,0	77,1	35	218,3	82,1	31						
	15	252,3	74,9	42	243,7	78,1	39	230,5	83,2	35						
260	5	213,2	79,0	23	206,1	82,7	21	195,1	88,4	19	183,6	94,5	17	175,7	98,8	16
	7	228,5	80,3	26	221,0	83,9	25	209,3	89,6	22	197,1	95,7	20			
	9	243,9	81,5	30	235,9	85,1	28	223,5	90,9	25	210,6	97,0	22			
	11	259,2	82,7	34	250,7	86,3	32	237,7	92,1	28	224,1	98,2	25			
	13	274,5	83,9	38	265,6	87,5	36	251,9	93,3	32						
	15	289,9	85,1	42	280,5	88,8	40	266,0	94,6	36						
280	5	228,8	86,2	26	221,2	90,1	25	209,4	96,2	22	197,2	102,7	20	188,7	107,3	18
	7	245,0	87,6	30	236,9	91,5	28	224,3	97,6	25	211,3	104,2	23			
	9	261,1	89,0	34	252,6	92,9	32	239,3	99,0	29	225,5	105,6	26			
	11	277,3	90,3	39	268,2	94,3	36	254,2	100,5	33	239,7	107,0	29			
	13	293,5	91,7	43	283,9	95,7	41	269,2	101,9	37						
	15	309,6	93,1	48	299,6	97,0	45	284,1	103,3	41						
300	5	251,1	94,2	20	242,1	98,7	18	228,0	106,0	16	213,3	113,7	14	203,3	119,1	13
	7	268,6	95,4	23	259,1	100,0	21	244,4	107,2	19	229,2	114,9	16			
	9	286,1	96,6	26	276,2	101,2	24	260,9	108,5	21	245,0	116,2	19			
	11	303,5	97,8	29	293,3	102,4	27	277,4	109,7	24	260,8	117,4	21			
	13	321,0	99,0	32	310,3	103,6	30	293,8	110,9	27						
	15	338,5	100,2	36	327,4	104,9	34	310,3	112,2	30						
330	5	268,9	97,6	23	259,5	102,3	21	245,0	109,6	19	229,9	117,5	17	219,5	123,0	15
	7	287,4	98,8	26	277,6	103,5	24	262,5	110,9	22	246,7	118,8	19			
	9	305,9	100,0	29	295,7	104,7	27	280,0	112,1	25	263,6	120,0	22			
	11	324,4	101,2	33	313,8	105,9	31	297,4	113,4	28	280,4	121,3	25			
	13	342,9	102,4	37	331,9	107,1	34	314,9	114,6	31						
	15	361,4	103,6	41	350,0	108,3	38	332,4	115,8	35						
360	5	299,0	111,5	28	288,5	116,6	26	272,3	124,8	23	255,6	133,4	20	244,1	139,5	19
	7	318,5	113,0	32	307,6	118,1	30	290,7	126,3	26	273,3	135,0	23			
	9	338,0	114,4	36	326,6	119,6	33	309,2	127,9	30	291,0	136,6	26			
	11	357,4	115,9	40	345,7	121,1	37	327,6	129,4	34	308,8	138,2	30			
	13	376,9	117,4	44	364,8	122,7	42	346,0	131,0	37						
	15	396,3	118,9	49	383,8	124,2	46	364,4	132,5	42						

(*) Only Compressors.

Heating Capacities - Syscroll Air HP - HT Version

Model	LWT °C	Ambient Air Temperature °C											
		-7			-5			-3			0		
		Heat	Input Power (*)	Pressure Drop	Heat	Input Power (*)	Pressure Drop	Heat	Input Power (*)	Pressure Drop	Heat	Input Power (*)	Pressure Drop
		kW	kW	kPa	kW	kW	kPa	kW	kW	kPa	kW	kW	kPa
140	30	109,6	27,0	16	114,5	27,0	17	119,9	27,1	19	128,7	27,3	22
	35	108,9	30,7	15	113,8	30,8	17	119,0	30,9	18	127,5	31,1	21
	40	108,3	34,4	15	113,0	34,5	17	118,1	34,7	18	126,3	34,9	21
	45				112,3	38,3	16	117,2	38,5	18	125,1	38,7	20
	50										124,0	42,5	20
170	30	125,7	31,5	21	131,5	31,8	23	137,6	32,2	25	147,7	32,7	28
	35	125,2	35,9	20	130,7	36,1	22	136,6	36,4	24	146,3	36,8	28
	40	124,7	40,2	20	130,0	40,4	22	135,7	40,6	24	145,0	40,9	27
	45				129,2	44,7	22	134,7	44,8	24	143,6	45,1	27
	50										142,3	49,2	26
200	30	153,7	36,1	24	159,8	36,6	26	166,6	37,1	29	178,4	37,7	33
	35	152,4	40,8	24	158,2	41,3	26	164,8	41,8	28	176,2	42,4	32
	40	151,1	45,5	24	156,7	46,1	25	163,0	46,5	28	173,9	47,2	31
	45				155,2	50,8	25	161,2	51,3	27	171,6	51,9	31
	50										169,4	56,7	30
230	30	171,6	41,7	19	179,6	41,9	21	188,1	42,1	23	202,0	42,5	27
	35	171,6	48,1	19	179,2	48,3	21	187,4	48,5	23	200,7	48,7	26
	40	171,6	54,5	19	178,9	54,6	21	186,7	54,8	23	199,5	55,0	26
	45				178,5	61,0	21	186,0	61,1	23	198,3	61,2	26
	50										197,1	67,5	26
260	30	196,5	48,4	19	205,7	48,5	21	215,5	48,7	23	231,6	49,0	27
	35	196,3	55,5	19	205,1	55,6	21	214,5	55,8	23	230,0	56,0	27
	40	196,1	62,6	19	204,5	62,8	21	213,6	62,9	23	228,4	63,1	26
	45				203,9	69,9	21	212,6	70,0	23	226,8	70,1	26
	50										225,1	77,2	26
280	30	210,0	52,2	22	219,6	52,4	24	229,9	52,6	27	246,9	52,9	31
	35	209,9	59,8	22	219,1	60,0	24	229,1	60,1	26	245,3	60,4	30
	40	209,7	67,3	22	218,6	67,5	24	228,2	67,6	26	243,8	67,9	30
	45				218,1	75,0	24	227,3	75,2	26	242,2	75,4	30
	50										240,7	82,9	29
300	30	228,5	55,7	16	238,8	55,8	18	250,0	55,9	20	268,4	56,0	23
	35	229,1	64,5	16	239,1	64,6	18	249,8	64,6	20	267,4	64,7	22
	40	229,8	73,4	17	239,3	73,4	18	249,6	73,4	19	266,4	73,4	22
	45				239,5	82,2	18	249,4	82,2	19	265,4	82,2	22
	50										264,4	90,9	22
330	30	244,5	59,2	19	255,7	59,3	20	267,9	59,4	22	287,8	59,5	26
	35	244,8	68,3	19	255,6	68,4	20	267,3	68,5	22	286,3	68,7	26
	40	245,1	77,5	19	255,5	77,6	20	266,7	77,6	22	284,9	77,8	25
	45				255,3	86,7	20	266,0	86,8	22	283,4	86,9	25
	50										282,0	96,0	25
360	30	272,2	66,8	23	283,3	66,9	25	295,6	67,0	27	316,4	67,2	31
	35	271,5	76,7	23	283,3	76,8	25	295,9	77,0	27	316,6	77,2	31
	40	270,9	86,6	23	283,3	86,8	25	296,3	86,9	27	316,7	87,2	31
	45				283,3	96,7	25	296,6	96,9	28	316,8	97,2	31
	50										316,9	107,2	31

(*) Only Compressors.

Model	LWT °C	Ambient Air Temperature °C											
		5			7			10			15		
		Heat	Input Power (*)	Pressure Drop	Heat	Input Power (*)	Pressure Drop	Heat	Input Power (*)	Pressure Drop	Heat	Input Power (*)	Pressure Drop
		kW	kW	kPa	kW	kW	kPa	kW	kW	kPa	kW	kW	kPa
140	30	145,3	27,6	28	152,7	27,8	30	164,5	28,00	35	186,3	28,5	45
	35	143,6	31,4	27	150,6	31,6	30	162,0	31,81	34	182,8	32,2	44
	40	141,8	35,3	26	148,6	35,4	29	159,4	35,61	33	179,3	35,9	42
	45	140,0	39,1	26	146,5	39,2	28	156,9	39,42	32	175,8	39,6	40
	50	138,2	42,9	25	144,5	43,1	27	154,4	43,22	31	172,3	43,4	39
170	30	166,6	33,5	36	174,9	33,9	40	188,2	34,39	46	212,6	35,3	59
	35	164,5	37,6	35	172,6	37,9	39	185,4	38,44	45	208,8	39,4	57
	40	162,5	41,6	34	170,2	42,0	38	182,5	42,50	43	205,1	43,5	55
	45	160,4	45,7	34	167,8	46,0	37	179,7	46,55	42	201,3	47,6	53
	50	158,4	49,8	33	165,5	50,1	36	176,8	50,60	41	197,6	51,7	51
200	30	202,1	38,4	42	213,0	38,6	47	230,9	38,82	55	264,7	38,9	73
	35	198,9	43,2	41	209,3	43,4	45	226,4	43,54	53	258,8	43,6	69
	40	195,7	47,9	40	205,6	48,1	44	222,0	48,25	51	252,9	48,2	66
	45	192,4	52,6	38	201,9	52,8	42	217,5	52,97	49	247,0	52,9	63
	50	189,2	57,4	37	198,3	57,6	41	213,1	57,68	47	241,1	57,5	60
230	30	228,2	43,0	34	239,7	43,3	38	258,1	43,57	44	291,8	44,1	56
	35	225,9	49,2	34	237,0	49,4	37	254,6	49,75	43	287,0	50,3	54
	40	223,6	55,4	33	234,2	55,6	36	251,2	55,92	41	282,2	56,5	52
	45	221,3	61,6	32	231,5	61,8	35	247,7	62,09	40	277,3	62,7	51
	50	219,1	67,8	32	228,8	67,9	34	244,2	68,26	39	272,5	68,9	49
260	30	262,0	49,5	35	275,3	49,7	38	296,7	50,03	44	335,9	50,6	57
	35	259,1	56,5	34	271,9	56,7	37	292,4	57,00	43	329,9	57,6	55
	40	256,2	63,5	33	268,5	63,7	36	288,1	63,97	42	324,0	64,5	53
	45	253,4	70,5	32	265,1	70,7	35	283,8	70,95	41	318,0	71,5	51
	50	250,5	77,5	32	261,7	77,7	35	279,5	77,92	39	312,1	78,5	49
280	30	278,8	53,5	39	292,9	53,7	43	315,4	54,08	50	356,7	54,7	64
	35	276,0	61,0	38	289,5	61,2	42	311,1	61,55	49	350,6	62,2	62
	40	273,2	68,4	38	286,1	68,7	41	306,8	69,02	47	344,6	69,7	60
	45	270,3	75,9	37	282,7	76,1	40	302,5	76,49	46	338,6	77,1	58
	50	267,5	83,4	36	279,3	83,6	39	298,2	83,96	45	332,6	84,6	56
300	30	303,0	56,2	29	318,3	56,3	32	342,7	56,52	37	387,6	56,8	47
	35	300,5	64,9	28	315,1	65,0	31	338,5	65,12	36	381,4	65,4	45
	40	298,1	73,6	28	312,0	73,6	30	334,3	73,72	35	375,2	73,9	44
	45	295,6	82,2	27	308,9	82,3	30	330,1	82,32	34	369,0	82,5	43
	50	293,1	90,9	27	305,8	90,9	29	325,9	90,92	33	362,8	91,0	41
330	30	325,3	59,9	33	341,8	60,0	37	368,3	60,22	42	416,7	60,6	54
	35	322,3	68,9	32	338,1	69,0	36	363,3	69,24	41	409,6	69,6	52
	40	319,2	78,0	32	334,3	78,1	35	358,4	78,26	40	402,5	78,6	51
	45	316,1	87,1	31	330,5	87,1	34	353,5	87,28	39	395,4	87,5	49
	50	313,1	96,1	31	326,7	96,2	33	348,5	96,31	38	388,3	96,5	47
360	30	357,7	67,6	40	376,4	67,8	44	406,9	68,16	52	464,2	68,8	67
	35	355,5	77,6	40	372,7	77,8	43	400,1	78,11	50	450,4	78,6	63
	40	353,4	87,7	39	369,0	87,8	43	393,3	88,06	48	436,6	88,5	60
	45	351,2	97,7	39	365,2	97,8	42	386,6	98,02	47	422,8	98,3	56
	50	349,1	107,7	38	361,5	107,8	41	379,8	107,97	45	409,0	108,1	52

(*) Only Compressors.

Total heat recovery - Syscroll Air TR Version

Model	LWT °C	Outlet Water Temperature °C														
		35					40					45				
		Cool	Pressure Drop Evaporator	Pressure Drop	Heat Recovery	Pressure Drop Recover	Cool	Pressure Drop Evaporator	Pressure Drop	Heat Recovery	Pressure Drop Recover	Cool	Pressure Drop Evaporator	Pressure Drop	Heat Recovery	Pressure Drop Recover
		kW	kPa	kPa	kW	kPa	kW	kPa	kPa	kW	kPa	kW	kPa	kPa	kW	kPa
140	5	150,4	29	32,3	182,8	44	142,1	26	35,6	177,8	41	132,4	23	39,7	172,0	39
	7	161,3	34	32,7	194,0	49	152,6	30	36,0	188,5	46	142,3	26	39,9	182,2	43
	9	172,2	39	33,1	205,3	55	163,0	35	36,3	199,3	52	152,3	30	40,2	192,4	48
	12	188,5	46	33,7	222,2	64	178,7	42	36,7	215,4	60	167,2	36	40,5	207,7	56
	15	204,8	55	34,3	239,1	75	194,4	49	37,2	231,6	70	182,2	43	40,9	223,0	65
170	5	180,4	42	39,5	219,9	63	170,4	38	43,2	213,6	59	159,0	33	47,5	206,5	56
	7	192,9	49	39,8	232,7	71	182,4	43	43,5	226,0	67	170,4	38	47,9	218,3	62
	9	205,5	55	40,0	245,4	79	194,5	49	43,8	238,3	74	181,9	43	48,3	230,2	69
	12	224,3	66	40,3	264,5	91	212,5	59	44,3	256,8	86	199,1	52	48,9	248,0	80
	15	243,1	77	40,6	283,7	105	230,6	69	44,8	275,4	99	216,3	61	49,5	265,8	92
200	5	201,4	42	45,5	246,9	63	189,8	37	49,7	239,5	59	177,0	32	54,8	231,7	56
	7	215,7	48	45,9	261,5	71	203,5	43	50,1	253,6	67	189,9	37	55,3	245,2	62
	9	229,9	55	46,2	276,2	79	217,1	49	50,5	267,7	74	202,9	43	55,7	258,7	69
	12	251,3	65	46,8	298,1	92	237,6	58	51,2	288,8	86	222,4	51	56,4	278,8	81
	15	272,6	77	47,3	320,0	106	258,1	69	51,8	309,9	99	241,9	61	57,1	299,0	93
230	5	244,9	39	50,8	295,7	57	230,4	35	56,8	287,3	54	214,7	30	63,6	278,3	51
	7	263,5	46	51,0	314,5	65	248,1	40	57,1	305,2	61	231,4	35	64,0	295,4	57
	9	282,1	52	51,2	333,4	73	265,7	46	57,4	323,1	69	248,0	40	64,4	312,4	64
	12	310,1	63	51,5	361,6	86	292,2	56	57,9	350,1	81	273,0	49	64,9	337,9	75
	15	338,1	75	51,8	389,9	100	318,6	67	58,4	377,0	93	298,0	58	65,5	363,5	87
260	5	276,3	39	58,3	334,6	56	260,0	34	65,0	325,1	53	242,3	30	72,8	315,1	50
	7	297,6	45	58,7	356,3	64	280,1	40	65,5	345,6	60	261,4	34	73,2	334,6	56
	9	318,9	51	59,1	378,0	72	300,1	45	65,9	366,1	68	280,4	40	73,6	354,1	63
	12	350,9	62	59,6	410,5	85	330,2	55	66,6	396,8	79	309,0	48	74,3	383,3	74
	15	382,8	74	60,2	443,0	99	360,3	65	67,3	427,6	92	337,6	57	74,9	412,5	86
280	5	300,8	46	63,0	363,8	67	283,0	40	70,2	353,2	63	264,1	35	78,4	342,5	59
	7	323,9	53	63,4	387,3	76	304,9	47	70,7	375,6	71	284,7	41	78,9	363,6	67
	9	346,9	61	63,9	410,8	85	326,7	54	71,2	397,9	80	305,3	47	79,4	384,8	75
	12	381,4	73	64,6	446,0	100	359,4	65	71,9	431,3	94	336,2	57	80,2	416,4	87
	15	416,0	87	65,3	481,2	117	392,1	78	72,7	464,8	109	367,2	68	80,9	448,1	101
300	5	328,7	34	68,2	396,9	49	309,1	30	76,2	385,2	46	287,2	26	85,8	373,0	44
	7	352,1	39	68,4	420,5	55	331,7	34	76,4	408,1	52	309,0	30	86,0	395,0	49
	9	375,5	44	68,7	444,1	62	354,4	39	76,6	431,0	58	330,8	34	86,2	417,0	54
	12	410,6	53	69,0	479,6	72	388,3	47	77,0	465,3	68	363,6	41	86,5	450,1	63
	15	445,6	62	69,3	515,0	83	422,3	56	77,3	499,6	78	396,3	49	86,8	483,2	73
330	5	346,4	38	72,8	419,2	55	325,6	33	81,2	406,8	52	302,6	29	91,3	393,9	49
	7	370,4	43	73,1	443,5	62	348,9	38	81,5	430,4	58	325,1	33	91,6	416,7	54
	9	394,4	49	73,4	467,8	68	372,3	43	81,8	454,0	64	347,6	38	91,8	439,4	60
	12	430,4	58	73,8	504,3	80	407,2	52	82,2	489,4	75	381,5	46	92,2	473,6	70
	15	466,4	68	74,3	540,7	91	442,2	61	82,6	524,8	86	415,3	54	92,5	507,8	81
360	5	385,7	47	80,7	466,5	68	362,6	41	89,9	452,5	64	337,2	36	100,8	438,0	60
	7	410,9	53	81,1	492,0	76	387,2	47	90,2	477,4	71	361,0	41	101,1	462,1	67
	9	436,0	59	81,5	517,5	84	411,7	53	90,6	502,3	79	384,8	46	101,4	486,2	74
	12	473,7	70	82,1	555,8	97	448,5	63	91,1	539,6	91	420,5	55	101,9	522,4	85
	15	511,4	82	82,7	594,2	110	485,3	74	91,6	577,0	104	456,2	65	102,3	558,6	98
	18	549,1	94	83,3	632,5	125	522,1	85	92,1	614,3	118	491,9	76	102,8	594,7	111

(*) Only Compressors.

Model	LWT °C	Outlet Water Temperature °C									
		50					55				
		Cool	Pressure Drop Evaporator	Pressure Drop	Heat Recovery	Pressure Drop Recover	Cool	Pressure Drop Evaporator	Pressure Drop	Heat Recovery	Pressure Drop Recover
		kW	kPa	kPa	kW	kPa	kW	kPa	kPa	kW	kPa
140	5	121,2	19	44,5	165,6	36	108,6	15	50,0	158,5	33
	7	130,6	22	44,6	175,2	40	117,3	18	50,1	167,4	37
	9	139,9	26	44,8	184,8	44	126,0	21	50,3	176,3	41
	12	154,0	31	45,1	199,1	52	139,1	25	50,5	189,6	47
	15	168,1	37	45,4	213,5	59	152,2	30	50,7	202,9	54
170	18	182,2	43	45,7	227,8	68	165,3	36	50,9	216,3	61
	5	146,1	28	52,4	198,5	51	131,7	23	58,0	189,7	47
	7	156,9	32	52,9	209,8	57	141,8	26	58,4	200,3	52
	9	167,7	37	53,3	221,0	64	152,0	30	58,9	210,9	58
	12	184,0	44	53,9	237,9	74	167,2	36	59,5	226,7	67
200	15	200,3	52	54,6	254,8	85	182,4	43	60,2	242,6	77
	18	216,5	61	55,2	271,7	96	197,7	51	60,8	258,5	87
	5	162,8	27	60,8	223,6	52	147,3	22	67,8	215,1	48
	7	175,1	32	61,3	236,4	58	158,8	26	68,2	227,1	53
	9	187,3	36	61,8	249,1	64	170,3	30	68,7	239,0	59
230	12	205,7	44	62,5	268,2	75	187,6	36	69,4	256,9	68
	15	224,2	52	63,2	287,3	86	204,8	43	70,1	274,9	78
	18	242,6	61	63,9	306,5	97	222,0	51	70,8	292,8	89
	5	197,6	26	71,3	268,9	48	179,1	21	79,9	259,1	44
	7	213,3	30	71,7	285,0	53	194,0	25	80,2	274,2	49
260	9	229,0	34	72,1	301,1	60	208,8	29	80,5	289,3	55
	12	252,6	42	72,6	325,2	69	231,0	35	80,9	311,9	64
	15	276,2	50	73,1	349,3	80	253,2	42	81,3	334,6	74
	18	299,8	59	73,7	373,5	92	275,5	50	81,8	357,2	84
	5	223,1	25	81,7	304,7	47	202,4	21	91,6	294,0	44
280	7	241,4	29	82,0	323,4	53	220,3	24	91,7	312,0	49
	9	259,8	34	82,3	342,0	59	238,2	29	91,8	329,9	55
	12	287,2	42	82,7	370,0	69	265,0	35	91,9	356,9	64
	15	314,7	50	83,2	397,9	80	291,8	43	92,0	383,8	74
	18	342,2	59	83,6	425,9	91	318,6	51	92,1	410,7	85
300	5	243,9	30	87,7	331,6	55	222,5	25	98,0	320,5	52
	7	263,4	35	88,2	351,5	62	240,9	29	98,4	339,3	58
	9	282,8	40	88,6	371,5	70	259,2	34	98,8	358,0	65
	12	312,1	49	89,3	401,4	81	286,8	41	99,4	386,1	75
	15	341,3	59	90,0	431,3	94	314,3	50	99,9	414,2	87
330	18	370,5	69	90,7	461,2	107	341,9	59	100,5	442,4	99
	5	263,1	22	97,0	360,1	41	236,9	18	109,8	346,7	38
	7	284,0	25	97,2	381,2	45	256,8	21	109,9	366,7	42
	9	304,9	29	97,3	402,3	51	276,6	24	110,1	386,7	47
	12	336,3	35	97,6	433,9	59	306,5	29	110,3	416,7	54
360	15	367,7	42	97,9	465,6	68	336,3	35	110,5	446,8	62
	18	399,0	50	98,1	497,2	77	366,1	42	110,7	476,8	71
	5	277,3	24	103,1	380,3	45	249,8	20	116,5	366,2	42
	7	298,9	28	103,3	402,2	51	270,4	23	116,6	387,0	47
	9	320,6	32	103,5	424,0	56	291,0	26	116,8	407,9	52
360	12	353,0	39	103,8	456,8	65	322,0	32	117,1	439,1	60
	15	385,5	46	104,1	489,6	75	352,9	39	117,3	470,3	69
	18	418,0	55	104,4	522,4	85	383,9	46	117,6	501,5	79
	5	309,5	30	113,4	423,0	56	279,5	24	127,8	407,3	52
	7	332,4	35	113,7	446,1	62	301,4	28	128,1	429,5	58
360	9	355,4	39	114,0	469,3	69	323,3	33	128,3	451,6	64
	12	389,7	48	114,4	504,1	79	356,1	40	128,7	484,9	74
	15	424,1	56	114,8	538,9	91	389,0	47	129,1	518,1	84
	18	458,5	66	115,2	573,7	103	421,8	56	129,5	551,4	95

(*) Only Compressors.

Condensing unit - Syscroll Air STD/EC/HPF RE - Version

Model	Te °C	Condensing Air Temperature °C									
		25		30		32		35		38	
		Cool	Input Power (*)	Cool	Input Power (*)	Cool	Input Power (*)	Cool	Input Power (*)	Cool	Input Power (*)
		kW	kW	kW	kW	kW	kW	kW	kW	kW	kW
140	1	155,1	31,5	146,1	34,8	142,3	36,2	136,3	38,6	129,9	41,1
	3	166,0	32,2	156,4	35,5	152,3	36,9	145,8	39,3	139,0	41,8
	5	177,0	33,0	166,7	36,2	162,3	37,6	155,4	39,9	148,2	42,4
	7	187,9	33,7	177,0	36,9	172,3	38,3	165,0	40,6	157,3	43,1
	9	198,9	34,5	187,3	37,6	182,3	39,0	174,6	41,3	166,5	43,8
	11	209,8	35,2	197,5	38,3	192,3	39,7	184,1	42,0	175,6	44,4
170	14	226,3	36,3	212,9	39,4	207,3	40,8	198,5	43,0	189,3	45,4
	1	184,6	39,6	173,4	43,2	168,7	44,8	161,3	47,4	153,7	50,1
	3	196,9	40,5	184,9	44,2	179,8	45,8	172,0	48,4	163,9	51,1
	5	209,2	41,3	196,4	45,2	191,0	46,8	182,7	49,4	174,1	52,1
	7	221,5	42,2	207,9	46,1	202,2	47,8	193,4	50,4	184,3	53,2
	9	233,8	43,1	219,4	47,1	213,4	48,8	204,1	51,5	194,5	54,2
200	11	246,1	44,0	230,9	48,1	224,5	49,8	214,8	52,5	204,7	55,3
	14	264,5	45,3	248,1	49,5	241,3	51,3	230,8	54,0	220,0	56,9
	1	202,0	42,7	190,1	46,7	185,2	48,5	177,6	51,3	169,7	54,4
	3	216,6	43,5	203,9	47,6	198,7	49,4	190,5	52,3	182,1	55,4
	5	231,2	44,3	217,7	48,4	212,1	50,3	203,4	53,2	194,5	56,4
	7	245,9	45,1	231,5	49,3	225,5	51,2	216,3	54,1	206,9	57,3
230	9	260,5	45,9	245,3	50,2	239,0	52,1	229,2	55,1	219,2	58,3
	11	275,1	46,6	259,1	51,0	252,4	53,0	242,2	56,0	231,6	59,3
	14	297,1	47,8	279,7	52,4	272,6	54,3	261,5	57,4	250,2	60,7
	1	236,4	50,8	222,5	56,3	216,6	58,8	207,4	62,7	197,7	67,0
	3	252,8	51,7	237,9	57,4	231,6	59,9	221,7	63,9	211,3	68,2
	5	269,2	52,7	253,2	58,4	246,5	60,9	236,0	65,0	225,0	69,3
260	7	285,6	53,6	268,6	59,5	261,4	62,0	250,3	66,1	238,6	70,4
	9	302,0	54,6	284,0	60,5	276,4	63,1	264,6	67,2	252,3	71,6
	11	318,4	55,5	299,3	61,6	291,3	64,2	278,9	68,3	266,0	72,7
	14	343,0	57,0	322,3	63,2	313,7	65,8	300,3	70,0	286,5	74,4
	1	271,1	57,3	255,1	63,4	248,4	66,2	238,0	70,6	227,1	75,3
	3	290,2	58,4	273,1	64,6	265,9	67,3	254,8	71,8	243,2	76,6
280	5	309,4	59,5	291,1	65,8	283,5	68,5	271,6	73,0	259,3	77,8
	7	328,6	60,6	309,1	66,9	301,0	69,7	288,4	74,2	275,4	79,0
	9	347,7	61,7	327,1	68,1	318,5	70,9	305,3	75,4	291,5	80,3
	11	366,9	62,8	345,1	69,3	336,1	72,1	322,1	76,6	307,6	81,5
	14	395,6	64,5	372,2	71,0	362,4	73,9	347,3	78,5	331,8	83,4
	1	295,1	62,8	277,6	69,5	270,2	72,5	258,8	77,2	246,9	82,4
300	3	315,6	64,1	296,8	70,8	288,9	73,8	276,7	78,6	264,1	83,8
	5	336,2	65,4	316,1	72,2	307,7	75,2	294,7	80,0	281,3	85,2
	7	356,7	66,7	335,3	73,5	326,4	76,6	312,7	81,4	298,5	86,6
	9	377,2	68,0	354,6	74,9	345,2	77,9	330,7	82,8	315,7	88,0
	11	397,7	69,2	373,9	76,2	363,9	79,3	348,7	84,2	332,9	89,4
	14	428,5	71,2	402,8	78,2	392,1	81,3	375,6	86,3	358,6	91,6
330	1	317,1	66,6	298,6	74,4	290,8	77,9	278,5	83,5	265,7	89,6
	3	339,5	67,9	319,6	75,7	311,2	79,2	298,1	84,8	284,4	90,9
	5	361,8	69,1	340,6	77,0	331,6	80,5	317,7	86,2	303,1	92,3
	7	384,1	70,3	361,5	78,3	352,0	81,8	337,2	87,5	321,8	93,6
	9	406,5	71,5	382,5	79,6	372,4	83,1	356,8	88,8	340,5	95,0
	11	428,8	72,7	403,5	80,9	392,8	84,4	376,3	90,2	359,2	96,3
360	14	462,3	74,6	434,9	82,8	423,4	86,4	405,7	92,2	387,2	98,4
	1	338,1	69,7	318,6	77,8	310,4	81,4	297,6	87,2	284,2	93,4
	3	362,2	70,9	341,3	79,1	332,5	82,7	318,8	88,5	304,5	94,8
	5	386,3	72,2	363,9	80,3	354,5	84,0	340,0	89,8	324,8	96,1
	7	410,4	73,4	386,6	81,6	376,6	85,3	361,2	91,1	345,1	97,4
	9	434,5	74,6	409,3	82,9	398,7	86,6	382,4	92,4	365,4	98,8
360	11	458,6	75,8	432,0	84,2	420,8	87,8	403,6	93,7	385,7	100,1
	14	494,7	77,7	466,0	86,1	454,0	89,8	435,4	95,7	416,2	102,1
	1	371,7	79,2	349,8	88,2	340,7	92,2	326,4	98,5	311,6	105,4
	3	397,6	80,7	374,2	89,7	364,3	93,7	349,1	100,1	333,3	107,0
	5	423,4	82,2	398,5	91,3	388,0	95,3	371,8	101,7	355,0	108,7
	7	449,3	83,7	422,8	92,9	411,7	96,9	394,5	103,4	376,7	110,3
360	9	475,1	85,3	447,1	94,4	435,4	98,5	417,2	105,0	398,5	111,9
	11	501,0	86,8	471,4	96,0	459,0	100,1	439,9	106,6	420,2	113,5
	14	539,8	89,1	507,8	98,4	494,5	102,4	474,0	109,0	452,7	116,0

(*) Only Compressors.

Model	Te °C	Condensing Air Temperature °C							
		40		42		45		48	
		Cool	Input Power (*)	Cool	Input Power (*)	Cool	Input Power (*)	Cool	Input Power (*)
		kW	kW	kW	kW	kW	kW	kW	kW
140	1	125,5	42,9	120,9	44,7	113,7	47,7	106,2	50,8
	3	134,3	43,5	129,4	45,4	121,8	48,3		
	5	143,2	44,2	138,0	46,0	129,9	49,0		
	7	152,0	44,9	146,5	46,7	138,0	49,6		
	9	160,8	45,5	155,1	47,4	146,1	50,3		
	11	169,7	46,2	163,6	48,0	154,2	50,9		
170	14	183,0	47,2	176,4	49,0	166,3	51,9		
	1	148,4	52,0	143,0	53,9	134,6	57,0	125,8	60,3
	3	158,3	53,0	152,5	55,0	143,6	58,1		
	5	168,1	54,1	162,1	56,0	152,7	59,1		
	7	178,0	55,1	171,6	57,1	161,7	60,2		
	9	187,9	56,2	181,2	58,1	170,8	61,2		
200	11	197,8	57,2	190,7	59,2	179,9	62,2		
	14	212,6	58,8	205,0	60,8	193,4	63,8		
	1	164,3	56,6	158,8	59,0	150,3	62,6	141,6	66,6
	3	176,3	57,6	170,5	59,9	161,4	63,6		
	5	188,4	58,6	182,1	60,9	172,5	64,6		
	7	200,4	59,6	193,8	61,9	183,6	65,6		
230	9	212,4	60,6	205,4	62,9	194,8	66,6		
	11	224,4	61,5	217,1	63,9	205,9	67,6		
	14	242,5	63,0	234,6	65,4	222,5	69,1		
	1	190,9	70,0	184,0	73,2	173,2	78,2	162,0	83,5
	3	204,2	71,2	196,8	74,4	185,4	79,4		
	5	217,4	72,3	209,6	75,5	197,5	80,5		
260	7	230,6	73,5	222,4	76,7	209,7	81,7		
	9	243,9	74,6	235,2	77,8	221,8	82,8		
	11	257,1	75,8	248,0	79,0	233,9	84,0		
	14	276,9	77,5	267,2	80,7	252,1	85,7		
	1	219,7	78,7	212,0	82,3	200,2	87,9	187,9	93,9
	3	235,3	80,0	227,1	83,5	214,6	89,2		
280	5	250,9	81,2	242,3	84,8	228,9	90,4		
	7	266,5	82,5	257,4	86,0	243,3	91,7		
	9	282,1	83,7	272,5	87,3	257,7	92,9		
	11	297,7	84,9	287,6	88,5	272,1	94,2		
	14	321,2	86,8	310,3	90,4	293,6	96,1		
	1	238,8	86,0	230,5	89,8	217,6	95,9	204,3	102,3
300	3	255,4	87,5	246,6	91,3	232,9	97,3		
	5	272,1	88,9	262,7	92,7	248,2	98,8		
	7	288,7	90,3	278,8	94,1	263,5	100,2		
	9	305,4	91,7	294,9	95,6	278,8	101,7		
	11	322,1	93,2	311,0	97,0	294,1	103,1		
	14	347,0	95,3	335,2	99,2	317,0	105,3		
330	1	256,8	93,9	247,7	98,4	233,6	105,6	218,8	113,2
	3	275,0	95,2	265,2	99,8	250,2	106,9		
	5	293,1	96,6	282,8	101,1	266,8	108,3		
	7	311,2	98,0	300,3	102,5	283,5	109,7		
	9	329,3	99,3	317,8	103,9	300,1	111,0		
	11	347,4	100,7	335,4	105,2	316,7	112,4		
360	14	374,6	102,7	361,6	107,3	341,7	114,5		
	1	275,0	97,9	265,6	102,5	250,9	109,9	235,7	117,8
	3	294,7	99,2	284,6	103,9	269,0	111,3		
	5	314,4	100,6	303,7	105,2	287,2	112,6		
	7	334,1	101,9	322,7	106,6	305,3	114,0		
	9	353,7	103,3	341,8	107,9	323,4	115,4		
360	11	373,4	104,6	360,9	109,3	341,5	116,7		
	14	403,0	106,6	389,5	111,3	368,7	118,7		
	1	301,4	110,3	291,0	115,4	274,9	123,4	258,2	131,9
	3	322,5	111,9	311,3	117,0	294,2	125,0		
	5	343,5	113,6	331,7	118,7	313,5	126,7		
	7	364,5	115,2	352,1	120,3	332,8	128,4		
360	9	385,6	116,8	372,4	121,9	352,2	130,0		
	11	406,6	118,5	392,8	123,6	371,5	131,7		
	14	438,2	120,9	423,3	126,1	400,5	134,2		

(*) Only Compressors.

Condensing unit - Syscroll Air STD/EC - RE L Version

Model	Te °C	Condensing Air Temperature °C							
		25		30		32		35	
		Cool	Input Power (*)	Cool	Input Power (*)	Cool	Input Power (*)	Cool	Input Power (*)
		kW	kW	kW	kW	kW	kW	kW	kW
140	1	151,6	32,8	142,4	36,3	138,5	37,8	132,3	40,2
	3	162,0	33,6	152,1	37,0	147,9	38,6	141,3	41,0
	5	172,3	34,4	161,8	37,8	157,3	39,3	150,2	41,7
	7	182,7	35,2	171,4	38,6	166,7	40,1	159,2	42,5
	9	193,1	36,0	181,1	39,4	176,1	40,9	168,2	43,3
	11	203,4	36,8	190,8	40,2	185,5	41,7	177,2	44,0
	14	219,0	38,1	205,3	41,4	199,6	42,8	190,7	45,2
170	1	179,4	41,4	168,1	45,1	163,3	46,7	155,8	49,3
	3	190,9	42,4	178,8	46,2	173,6	47,8	165,7	50,5
	5	202,4	43,4	189,4	47,3	184,0	49,0	175,6	51,6
	7	213,9	44,5	200,1	48,4	194,4	50,1	185,5	52,8
	9	225,4	45,5	210,8	49,5	204,8	51,2	195,4	53,9
	11	236,9	46,5	221,5	50,6	215,1	52,3	205,3	55,1
	14	254,1	48,0	237,6	52,3	230,7	54,0	220,2	56,8
200	1	197,9	44,1	186,0	48,2	181,1	50,0	173,4	53,0
	3	211,8	45,0	199,1	49,2	193,8	51,0	185,6	54,0
	5	225,8	46,0	212,2	50,2	206,5	52,1	197,8	55,1
	7	239,7	46,9	225,3	51,2	219,3	53,1	210,1	56,2
	9	253,7	47,8	238,4	52,2	232,0	54,1	222,3	57,2
	11	267,6	48,7	251,5	53,2	244,8	55,2	234,5	58,3
	14	288,5	50,1	271,1	54,7	263,9	56,7	252,9	59,9
230	1	230,8	53,1	216,7	58,9	210,7	61,4	201,3	65,5
	3	246,3	54,2	231,2	60,1	224,7	62,7	214,7	66,8
	5	261,8	55,4	245,6	61,3	238,8	63,9	228,1	68,1
	7	277,3	56,5	260,0	62,5	252,8	65,1	241,5	69,3
	9	292,8	57,6	274,5	63,7	266,8	66,4	254,9	70,6
	11	308,2	58,8	288,9	64,9	280,8	67,6	268,3	71,9
	14	331,5	60,5	310,6	66,8	301,9	69,5	288,3	73,8
260	1	264,9	59,7	248,8	66,0	242,0	68,8	231,5	73,4
	3	283,1	60,9	265,8	67,4	258,6	70,2	247,3	74,8
	5	301,3	62,2	282,8	68,7	275,1	71,6	263,2	76,2
	7	319,4	63,5	299,9	70,1	291,7	73,0	279,0	77,6
	9	337,6	64,8	316,9	71,4	308,2	74,3	294,8	79,0
	11	355,7	66,1	333,9	72,8	324,8	75,7	310,7	80,4
	14	383,0	68,0	359,4	74,8	349,6	77,8	334,4	82,5
280	1	287,8	65,6	270,0	72,5	262,6	75,6	251,0	80,6
	3	307,2	67,1	288,2	74,1	280,2	77,2	267,9	82,1
	5	326,6	68,5	306,3	75,6	297,9	78,7	284,8	83,7
	7	346,0	70,0	324,5	77,1	315,5	80,3	301,7	85,3
	9	365,4	71,5	342,6	78,7	333,2	81,9	318,5	86,9
	11	384,8	72,9	360,8	80,2	350,8	83,4	335,4	88,5
	14	413,9	75,2	388,0	82,5	377,3	85,8	360,7	90,9
300	1	310,0	69,7	291,2	77,8	283,3	81,4	270,8	87,2
	3	331,2	71,1	311,0	79,3	302,5	82,9	289,2	88,8
	5	352,3	72,5	330,9	80,8	321,8	84,4	307,6	90,3
	7	373,5	74,0	350,7	82,3	341,0	86,0	326,0	91,9
	9	394,7	75,4	370,5	83,8	360,3	87,5	344,4	93,4
	11	415,9	76,8	390,3	85,3	379,5	89,0	362,8	95,0
	14	447,6	79,0	420,0	87,5	408,4	91,3	390,4	97,3
330	1	331,0	72,6	311,3	81,0	303,0	84,7	290,0	90,7
	3	354,0	74,0	332,9	82,5	324,0	86,2	310,1	92,2
	5	377,0	75,4	354,4	83,9	344,9	87,7	330,2	93,8
	7	399,9	76,9	376,0	85,4	365,9	89,2	350,3	95,3
	9	422,9	78,3	397,5	86,9	386,9	90,7	370,4	96,8
	11	445,9	79,7	419,1	88,4	407,8	92,2	390,5	98,3
	14	480,3	81,9	451,4	90,6	439,3	94,5	420,6	100,6
360	1	362,9	82,7	340,8	92,1	331,5	96,3	317,1	102,9
	3	387,4	84,5	363,7	94,0	353,8	98,1	338,4	104,8
	5	411,9	86,3	386,6	95,8	376,1	100,0	359,7	106,7
	7	436,3	88,1	409,5	97,7	398,3	101,9	381,0	108,6
	9	460,8	89,9	432,4	99,5	420,6	103,7	402,3	110,5
	11	485,3	91,6	455,3	101,3	442,8	105,6	423,6	112,4
	14	522,0	94,3	489,7	104,1	476,2	108,4	455,5	115,2

(*) Only Compressors.

Model	Te °C	Condensing Air Temperature °C							
		38		40		42		45	
		Cool	Input Power (*)	Cool	Input Power (*)	Cool	Input Power (*)	Cool	Input Power (*)
		kW	kW	kW	kW	kW	kW	kW	kW
140	1	125,8	42,8	121,3	44,6	116,6	46,5	109,3	49,5
	3	134,3	43,6	129,5	45,4	124,6	47,3	116,9	50,3
	5	142,9	44,3	137,8	46,1	132,5	48,0	124,4	51,0
	7	151,4	45,1	146,0	46,9	140,5	48,8	131,9	51,8
	9	160,0	45,8	154,3	47,6	148,5	49,5		
	11	168,5	46,6	162,6	48,4	156,4	50,3		
170	14	181,4	47,7	175,0	49,5	168,4	51,4		
	1	148,0	52,1	142,7	54,1	137,2	56,1	128,7	59,4
	3	157,5	53,3	151,8	55,2	146,0	57,3	137,0	60,5
	5	166,9	54,4	160,9	56,4	154,8	58,4	145,3	61,6
	7	176,3	55,6	170,0	57,5	163,6	59,6	153,7	62,7
	9	185,7	56,7	179,1	58,7	172,4	60,7		
200	11	195,2	57,9	188,2	59,8	181,2	61,8		
	14	209,3	59,6	201,9	61,6	194,4	63,6		
	1	165,5	56,2	160,0	58,5	154,5	60,9	145,9	64,7
	3	177,2	57,3	171,4	59,6	165,5	62,0	156,4	65,8
	5	188,9	58,4	182,7	60,7	176,4	63,1	166,8	66,9
	7	200,6	59,5	194,1	61,8	187,4	64,2	177,2	68,0
230	9	212,2	60,6	205,4	62,9	198,4	65,3		
	11	223,9	61,6	216,7	64,0	209,4	66,4		
	14	241,5	63,3	233,7	65,7	225,9	68,1		
	1	191,4	70,0	184,6	73,1	177,5	76,4	166,5	81,6
	3	204,2	71,3	196,9	74,4	189,4	77,7	177,8	82,9
	5	216,9	72,5	209,2	75,7	201,3	79,0	189,0	84,1
260	7	229,7	73,8	221,5	77,0	213,2	80,2	200,3	85,4
	9	242,4	75,1	233,9	78,2	225,1	81,5		
	11	255,2	76,4	246,2	79,5	237,0	82,8		
	14	274,3	78,3	264,7	81,4	254,9	84,7		
	1	220,5	78,4	213,0	81,9	205,2	85,6	193,2	91,4
	3	235,6	79,8	227,6	83,3	219,4	87,0	206,6	92,8
280	5	250,8	81,2	242,2	84,7	233,5	88,4	220,0	94,3
	7	265,9	82,6	256,9	86,1	247,7	89,8	233,5	95,7
	9	281,0	84,0	271,5	87,6	261,8	91,3		
	11	296,1	85,4	286,1	89,0	275,9	92,7		
	14	318,8	87,6	308,1	91,1	297,2	94,8		
	1	239,0	85,9	230,7	89,7	222,3	93,6	209,2	99,9
300	3	255,1	87,5	246,3	91,3	237,3	95,3	223,5	101,5
	5	271,2	89,1	261,9	92,9	252,4	96,9	237,7	103,2
	7	287,3	90,7	277,5	94,5	267,5	98,5	252,0	104,8
	9	303,4	92,3	293,1	96,2	282,5	100,1		
	11	319,5	93,9	308,6	97,8	297,6	101,8		
	14	343,7	96,4	332,0	100,2	320,1	104,2		
330	1	257,8	93,5	248,7	98,0	239,4	102,7	224,9	110,1
	3	275,3	95,1	265,7	99,6	255,8	104,3	240,4	111,7
	5	292,9	96,7	282,7	101,1	272,2	105,8	255,9	113,3
	7	310,4	98,2	299,6	102,7	288,6	107,4	271,4	114,8
	9	327,9	99,8	316,6	104,3	305,0	109,0		
	11	345,5	101,4	333,6	105,9	321,3	110,6		
360	14	371,8	103,7	359,0	108,2	345,9	112,9		
	1	276,5	97,2	267,1	101,8	257,5	106,6	242,6	114,2
	3	295,7	98,7	285,7	103,3	275,5	108,2	259,6	115,8
	5	314,9	100,3	304,3	104,9	293,4	109,7	276,7	117,3
	7	334,0	101,8	322,9	106,4	311,4	111,3	293,7	118,9
	9	353,2	103,4	341,4	108,0	329,4	112,8		
360	11	372,4	104,9	360,0	109,6	347,3	114,4		
	14	401,2	107,2	387,9	111,9	374,3	116,7		
	1	302,1	110,0	291,8	115,0	281,2	120,2	264,8	128,5
	3	322,4	111,9	311,4	117,0	300,1	122,2	282,7	130,5
	5	342,7	113,8	331,0	118,9	319,1	124,2	300,7	132,5
	7	363,0	115,8	350,7	120,8	338,1	126,1	318,6	134,5
360	9	383,3	117,7	370,3	122,8	357,0	128,1		
	11	403,6	119,6	389,9	124,7	376,0	130,1		
	14	434,1	122,5	419,4	127,7	404,4	133,0		

(*) Only Compressors.

Condensing unit - Syscroll Air STD/EC - RE S Version

Model	Te °C	Condensing Air Temperature °C							
		25		30		32		35	
		Cool	Input Power (*)	Cool	Input Power (*)	Cool	Input Power (*)	Cool	Input Power (*)
		kW	kW	kW	kW	kW	kW	kW	kW
140	1	145,4	35,1	135,8	38,8	131,7	40,4	125,3	43,0
	3	154,8	36,1	144,4	39,7	140,1	41,3	133,3	43,9
	5	164,1	37,0	153,1	40,7	148,5	42,3	141,3	44,8
	7	173,5	37,9	161,8	41,6	156,9	43,2	149,2	45,7
	9	182,9	38,9	170,5	42,5	165,3	44,1	157,2	46,7
	11	192,2	39,8	179,2	43,5	173,7	45,0	165,2	47,6
170	14	206,3	41,2	192,2	44,8	186,3	46,4	177,2	49,0
	1	170,4	44,4	158,7	48,3	153,7	50,0	146,1	52,7
	3	180,6	45,7	168,1	49,6	162,9	51,3	154,8	54,1
	5	190,7	46,9	177,5	50,9	172,0	52,7	163,4	55,4
	7	200,9	48,2	186,9	52,2	181,1	54,0	172,1	56,7
	9	211,1	49,5	196,3	53,6	190,2	55,3	180,8	58,1
200	11	221,2	50,8	205,7	54,9	199,3	56,7	189,4	59,4
	14	236,5	52,7	219,8	56,9	213,0	58,6	202,4	61,4
	1	190,2	46,8	178,2	51,1	173,1	53,0	165,4	56,2
	3	202,9	48,0	190,0	52,3	184,7	54,3	176,4	57,5
	5	215,6	49,1	201,9	53,6	196,2	55,6	187,4	58,7
	7	228,4	50,3	213,8	54,8	207,8	56,8	198,5	60,0
230	9	241,1	51,4	225,7	56,0	219,3	58,1	209,5	61,3
	11	253,8	52,6	237,6	57,3	230,9	59,3	220,5	62,6
	14	272,9	54,3	255,4	59,1	248,2	61,2	237,1	64,5
	1	220,2	57,5	205,6	63,7	199,4	66,4	189,6	70,8
	3	234,1	59,0	218,4	65,2	211,8	68,0	201,4	72,4
	5	247,9	60,5	231,2	66,8	224,2	69,6	213,2	74,0
260	7	261,7	62,0	244,0	68,3	236,6	71,1	225,0	75,6
	9	275,6	63,4	256,9	69,9	249,0	72,7	236,8	77,2
	11	289,4	64,9	269,7	71,4	261,4	74,3	248,6	78,7
	14	310,2	67,1	288,9	73,8	280,0	76,6	266,2	81,1
	1	253,3	64,2	236,9	71,0	229,9	74,0	219,1	78,9
	3	269,7	65,8	252,1	72,7	244,7	75,8	233,2	80,7
280	5	286,1	67,5	267,3	74,4	259,5	77,5	247,3	82,4
	7	302,5	69,1	282,6	76,1	274,3	79,2	261,4	84,2
	9	318,8	70,7	297,8	77,8	289,0	81,0	275,5	85,9
	11	335,2	72,4	313,0	79,5	303,8	82,7	289,5	87,7
	14	359,8	74,8	335,9	82,1	326,0	85,3	310,7	90,3
	1	274,4	70,9	256,2	78,4	248,6	81,7	236,8	87,0
300	3	291,7	72,8	272,3	80,4	264,1	83,7	251,6	89,0
	5	309,0	74,7	288,3	82,3	279,7	85,7	266,4	91,0
	7	326,2	76,5	304,4	84,2	295,2	87,6	281,2	93,0
	9	343,5	78,4	320,4	86,2	310,8	89,6	295,9	95,0
	11	360,8	80,2	336,5	88,1	326,3	91,5	310,7	97,0
	14	386,8	83,0	360,5	91,0	349,7	94,5	332,9	100,0
330	1	296,5	75,5	277,3	84,3	269,1	88,2	256,2	94,4
	3	315,6	77,4	295,0	86,2	286,2	90,1	272,5	96,4
	5	334,7	79,2	312,7	88,2	303,4	92,1	288,8	98,4
	7	353,8	81,1	330,4	90,1	320,5	94,0	305,2	100,4
	9	372,9	82,9	348,1	92,0	337,7	96,0	321,5	102,3
	11	391,9	84,8	365,8	93,9	354,8	97,9	337,8	104,3
360	14	420,6	87,6	392,4	96,8	380,6	100,9	362,3	107,3
	1	317,9	78,3	297,7	87,3	289,2	91,3	275,9	97,7
	3	338,7	80,1	317,2	89,2	308,1	93,2	293,9	99,6
	5	359,6	81,9	336,7	91,1	327,0	95,1	311,9	101,6
	7	380,5	83,7	356,1	93,0	345,8	97,0	329,9	103,5
	9	401,4	85,6	375,6	94,9	364,7	98,9	347,9	105,4
360	11	422,3	87,4	395,0	96,7	383,6	100,8	365,9	107,4
	14	453,6	90,1	424,2	99,6	411,9	103,7	392,9	110,3
	1	346,4	89,8	323,7	99,9	314,2	104,3	299,4	111,3
	3	368,4	92,0	344,1	102,2	333,9	106,7	318,2	113,8
	5	390,3	94,3	364,5	104,6	353,7	109,0	337,0	116,2
	7	412,3	96,5	384,9	106,9	373,5	111,4	355,8	118,6
360	9	434,2	98,8	405,3	109,3	393,2	113,8	374,6	121,0
	11	456,2	101,1	425,7	111,6	413,0	116,2	393,4	123,4
	14	489,1	104,5	456,3	115,1	442,6	119,7	421,6	127,0

(*) Only Compressors.

Model	Te °C	Condensing Air Temperature °C					
		38		40		42	
		Cool	Input Power (*)	Cool	Input Power (*)	Cool	Input Power (*)
		kW	kW	kW	kW	kW	kW
140	1	118,6	45,7	114,0	47,6	109,2	49,5
	3	126,2	46,6	121,3	48,5	116,2	50,5
	5	133,7	47,5	128,5	49,4	123,2	51,4
	7	141,3	48,4	135,8	50,3	130,2	52,3
	9	148,9	49,4	143,1	51,3		
	11	156,4	50,3	150,4	52,2		
170	14	167,8	51,7				
	1	138,2	55,7	132,7	57,8	127,1	60,0
	3	146,4	57,0	140,6	59,1	134,7	61,3
	5	154,6	58,4	148,6	60,4	142,4	62,6
	7	162,8	59,7	156,5	61,7	150,0	63,8
	9	171,1	61,0	164,4	63,0		
200	11	179,3	62,3	172,4	64,3		
	14	191,6	64,3				
	1	157,3	59,6	151,8	62,0	146,2	64,6
	3	167,8	60,9	162,0	63,3	156,0	65,9
	5	178,3	62,2	172,1	64,6	165,8	67,2
	7	188,9	63,5	182,3	66,0	175,6	68,5
230	9	199,4	64,8	192,5	67,3		
	11	209,9	66,1	202,7	68,6		
	14	225,7	68,0				
	1	179,4	75,6	172,3	79,0	164,9	82,5
	3	190,5	77,2	183,0	80,5	175,3	84,0
	5	201,7	78,8	193,8	82,1	185,6	85,6
260	7	212,9	80,3	204,5	83,7	196,0	87,2
	9	224,1	81,9	215,3	85,3		
	11	235,2	83,5	226,1	86,8		
	14	252,0	85,9				
	1	207,9	84,2	200,1	88,0	192,1	91,9
	3	221,3	86,0	213,0	89,7	204,6	93,7
280	5	234,6	87,8	225,9	91,5	217,0	95,4
	7	248,0	89,5	238,8	93,3	229,5	97,2
	9	261,4	91,3	251,8	95,1		
	11	274,8	93,1	264,7	96,8		
	14	294,8	95,7				
	1	224,5	92,7	216,1	96,8	207,4	101,0
300	3	238,5	94,8	229,6	98,8	220,4	103,0
	5	252,6	96,8	243,1	100,8	233,4	105,0
	7	266,6	98,8	256,6	102,8	246,4	107,1
	9	280,6	100,8	270,1	104,8		
	11	294,6	102,8	283,6	106,9		
	14	315,7	105,8				
330	1	242,7	101,2	233,3	106,0	223,6	111,0
	3	258,2	103,2	248,2	108,0	238,0	113,0
	5	273,6	105,2	263,1	110,0	252,3	115,0
	7	289,1	107,2	278,0	111,9	266,7	116,9
	9	304,6	109,2	293,0	113,9		
	11	320,1	111,1	307,9	115,9		
360	14	343,3	114,1				
	1	262,0	104,6	252,3	109,5	242,4	114,6
	3	279,1	106,6	268,8	111,4	258,3	116,5
	5	296,2	108,5	285,3	113,4	274,2	118,5
	7	313,3	110,5	301,9	115,4	290,1	120,5
	9	330,4	112,4	318,4	117,3		
360	11	347,5	114,4	334,9	119,3		
	14	373,2	117,3				
	1	283,9	118,9	273,3	124,2	262,4	129,7
	3	301,8	121,3	290,5	126,7	279,0	132,2
	5	319,6	123,8	307,7	129,1	295,5	134,7
	7	337,5	126,2	324,9	131,6	312,0	137,2
360	9	355,3	128,7	342,1	134,1		
	11	373,1	131,1	359,3	136,5		
	14	399,9	134,8				

(*) Only Compressors.

Condensing unit - Syscroll Air RE HT Version

Model	Te °C	Condensing Air Temperature °C									
		25		30		32		35		38	
		Cool	Input Power (*)	Cool	Input Power (*)	Cool	Input Power (*)	Cool	Input Power (*)	Cool	Input Power (*)
		kW	kW	kW	kW	kW	kW	kW	kW	kW	kW
140	1	156,0	31,1	147,2	34,4	143,4	35,8	137,4	38,1	131,0	40,6
	3	167,1	31,9	157,6	35,1	153,5	36,5	147,1	38,8	140,3	41,3
	5	178,3	32,6	168,1	35,8	163,7	37,2	156,9	39,5	149,7	41,9
	7	189,4	33,3	178,5	36,5	173,9	37,9	166,6	40,1	159,0	42,6
	9	200,5	34,1	189,0	37,2	184,1	38,6	176,4	40,8	168,3	43,3
	11	211,7	34,8	199,5	37,9	194,3	39,2	186,2	41,5	177,7	43,9
14	228,4	35,9	215,1	38,9	209,5	40,3	200,8	42,5	191,6	44,9	
170	1	186,0	39,1	174,9	42,8	170,2	44,3	162,9	46,9	155,2	49,5
	3	198,5	40,0	186,6	43,7	181,6	45,3	173,8	47,8	165,7	50,6
	5	211,1	40,8	198,3	44,6	193,0	46,3	184,7	48,8	176,1	51,6
	7	223,6	41,6	210,1	45,5	204,4	47,2	195,6	49,8	186,5	52,6
	9	236,2	42,4	221,8	46,5	215,8	48,2	206,6	50,8	197,0	53,6
	11	248,7	43,2	233,5	47,4	227,2	49,1	217,5	51,8	207,4	54,6
14	267,5	44,5	251,2	48,8	244,3	50,6	233,9	53,3	223,0	56,1	
200	1	203,2	42,3	191,5	46,3	186,5	48,0	179,0	50,9	171,1	54,0
	3	218,0	43,1	205,4	47,1	200,1	48,9	192,0	51,8	183,6	54,9
	5	232,8	43,8	219,3	47,9	213,7	49,8	205,1	52,7	196,2	55,8
	7	247,6	44,6	233,3	48,8	227,3	50,6	218,2	53,6	208,7	56,7
	9	262,4	45,3	247,2	49,6	240,9	51,5	231,2	54,5	221,2	57,7
	11	277,2	46,1	261,2	50,4	254,5	52,3	244,3	55,4	233,7	58,6
14	299,5	47,2	282,1	51,7	274,9	53,6	263,9	56,7	252,5	60,0	
230	1	238,0	50,1	224,2	55,7	218,3	58,1	209,1	62,0	199,4	66,3
	3	254,7	51,0	239,8	56,7	233,5	59,1	223,6	63,1	213,3	67,4
	5	271,3	51,9	255,4	57,6	248,7	60,2	238,2	64,2	227,3	68,4
	7	288,0	52,8	271,1	58,6	263,9	61,2	252,8	65,2	241,2	69,5
	9	304,7	53,7	286,7	59,6	279,1	62,2	267,4	66,3	255,2	70,6
	11	321,3	54,6	302,3	60,6	294,3	63,2	282,0	67,3	269,1	71,7
14	346,3	56,0	325,8	62,1	317,2	64,8	303,8	68,9	290,0	73,3	
260	1	272,9	56,6	257,0	62,7	250,3	65,4	240,0	69,7	229,2	74,4
	3	292,4	57,7	275,3	63,8	268,1	66,5	257,0	70,9	245,5	75,6
	5	311,8	58,8	293,6	64,9	285,9	67,7	274,1	72,1	261,9	76,8
	7	331,2	59,8	311,8	66,1	303,7	68,8	291,2	73,3	278,3	78,0
	9	350,7	60,9	330,1	67,2	321,6	70,0	308,3	74,4	294,6	79,2
	11	370,1	61,9	348,4	68,3	339,4	71,1	325,4	75,6	311,0	80,4
14	399,2	63,5	375,8	70,0	366,1	72,8	351,0	77,4	335,5	82,2	
280	1	297,2	62,0	279,6	68,6	272,3	71,5	260,9	76,2	249,1	81,3
	3	318,0	63,2	299,2	69,9	291,4	72,8	279,2	77,5	266,6	82,6
	5	338,9	64,5	318,8	71,2	310,5	74,1	297,5	78,9	284,1	84,0
	7	359,7	65,7	338,5	72,4	329,6	75,4	315,9	80,2	301,7	85,4
	9	380,6	66,9	358,1	73,7	348,7	76,7	334,2	81,6	319,2	86,7
	11	401,4	68,2	377,7	75,0	367,8	78,1	352,5	82,9	336,7	88,1
14	432,7	70,0	407,1	77,0	396,4	80,0	380,0	84,9	363,1	90,1	
300	1	319,2	65,9	300,8	73,6	292,9	77,0	280,7	82,6	268,0	88,6
	3	341,9	67,0	322,1	74,8	313,7	78,3	300,6	83,8	287,0	89,9
	5	364,6	68,2	343,4	76,0	334,4	79,5	320,6	85,1	306,1	91,1
	7	387,2	69,3	364,7	77,2	355,2	80,7	340,5	86,3	325,1	92,4
	9	409,9	70,5	386,0	78,4	376,0	81,9	360,4	87,6	344,2	93,7
	11	432,6	71,6	407,3	79,6	396,7	83,2	380,3	88,8	363,2	94,9
14	466,6	73,3	439,3	81,4	427,9	85,0	410,2	90,7	391,8	96,8	
330	1	340,1	68,9	320,7	76,9	312,5	80,5	299,7	86,2	286,4	92,5
	3	364,5	70,1	343,7	78,1	334,9	81,7	321,3	87,5	307,1	93,7
	5	389,0	71,2	366,7	79,3	357,3	82,9	342,8	88,7	327,7	94,9
	7	413,4	72,4	389,7	80,5	379,8	84,1	364,4	89,9	348,3	96,2
	9	437,8	73,5	412,7	81,7	402,2	85,3	385,9	91,2	369,0	97,4
	11	462,3	74,7	435,7	82,9	424,6	86,6	407,5	92,4	389,6	98,7
14	498,9	76,4	470,3	84,7	458,3	88,4	439,8	94,2	420,6	100,5	
360	1	374,2	78,2	352,4	87,1	343,3	91,0	329,1	97,3	314,3	104,1
	3	400,5	79,6	377,1	88,5	367,3	92,5	352,2	98,8	336,4	105,7
	5	426,7	81,1	401,8	90,0	391,4	94,0	375,3	100,4	358,5	107,2
	7	453,0	82,5	426,5	91,5	415,5	95,5	398,4	101,9	380,6	108,8
	9	479,3	84,0	451,3	93,0	439,6	97,0	421,5	103,4	402,8	110,3
	11	505,5	85,5	476,0	94,5	463,6	98,5	444,6	104,9	424,9	111,8
14	544,9	87,6	513,0	96,8	499,7	100,8	479,2	107,2	458,0	114,2	

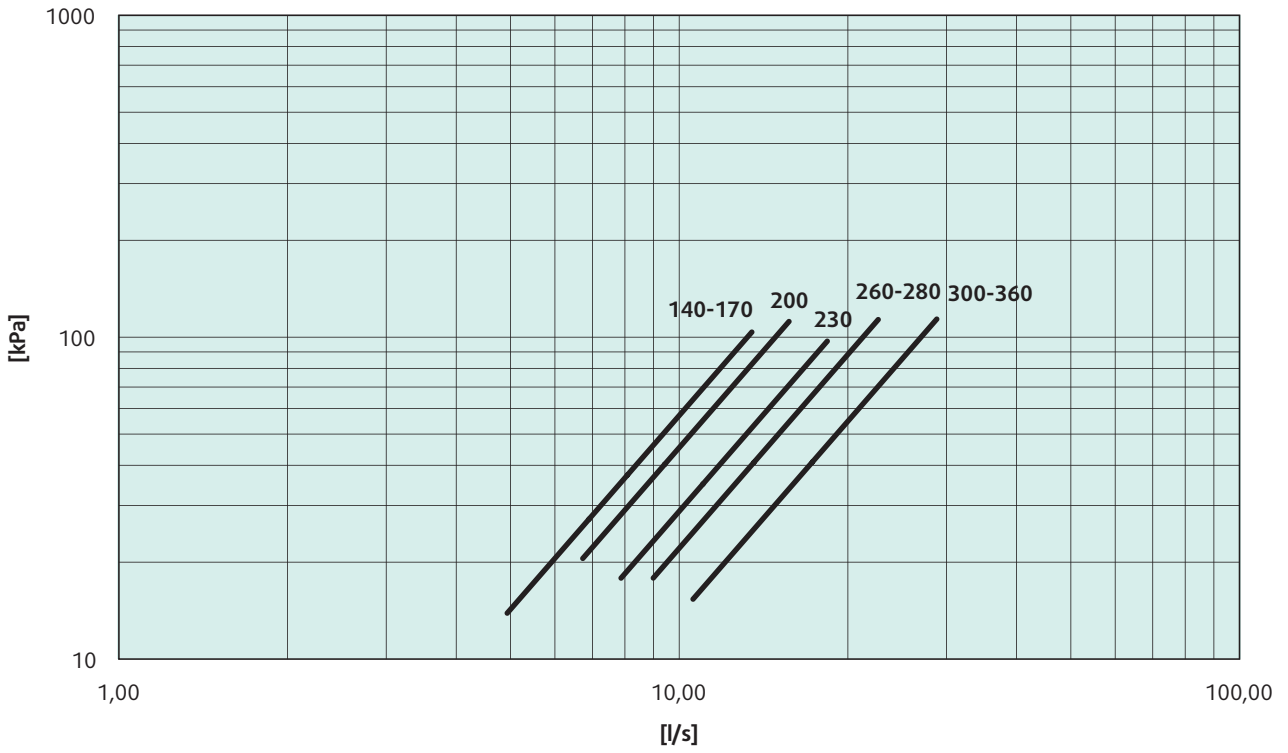
(*) Only Compressors

Model	Te °C	Condensing Air Temperature °C									
		40		42		45		48		50	
		Cool	Input Power (*)	Cool	Input Power (*)	Cool	Input Power (*)	Cool	Input Power (*)	Cool	Input Power (*)
		kW	kW	kW	kW	kW	kW	kW	kW	kW	kW
140	1	126,6	42,4	122,0	44,2	114,9	47,1	107,4	50,2	102,2	52,4
	3	135,6	43,0	130,8	44,9	123,2	47,8	115,2	50,9	109,7	53,0
	5	144,7	43,7	139,5	45,5	131,4	48,4	123,0	51,5		
	7	153,7	44,3	148,2	46,2	139,7	49,1	130,9	52,2		
	9	162,7	45,0	157,0	46,8	148,0	49,7	138,7	52,8		
	11	171,8	45,6	165,7	47,5	156,3	50,4				
14	185,3	46,6	178,8	48,4	168,7	51,3					
170	1	150,0	51,4	144,5	53,4	136,1	56,5	127,4	59,7	121,4	62,0
	3	160,1	52,5	154,3	54,4	145,4	57,5	136,2	60,7	129,9	63,0
	5	170,2	53,5	164,1	55,4	154,7	58,5	145,0	61,7		
	7	180,3	54,5	173,9	56,5	164,0	59,5	153,8	62,7		
	9	190,4	55,5	183,7	57,5	173,3	60,6	162,6	63,7		
	11	200,5	56,5	193,4	58,5	182,6	61,6				
14	215,6	58,1	208,1	60,1	196,5	63,1					
200	1	165,7	56,1	160,3	58,4	151,8	62,1	143,1	66,0	137,2	68,7
	3	177,9	57,1	172,0	59,4	163,0	63,1	153,8	66,9	147,4	69,7
	5	190,1	58,0	183,8	60,3	174,3	64,0	164,4	67,9		
	7	202,2	59,0	195,6	61,3	185,5	65,0	175,1	68,9		
	9	214,4	59,9	207,4	62,3	196,7	65,9	185,7	69,8		
	11	226,5	60,9	219,2	63,2	208,0	66,9				
14	244,8	62,3	236,9	64,6	224,8	68,3					
230	1	192,7	69,3	185,8	72,4	175,1	77,4	163,9	82,6	156,2	86,3
	3	206,2	70,4	198,9	73,5	187,5	78,5	175,7	83,7	167,5	87,4
	5	219,7	71,5	212,0	74,6	199,9	79,6	187,4	84,8		
	7	233,2	72,6	225,0	75,7	212,3	80,7	199,2	85,9		
	9	246,7	73,6	238,1	76,8	224,8	81,7	210,9	87,0		
	11	260,2	74,7	251,2	77,9	237,2	82,8				
14	280,5	76,4	270,8	79,5	255,8	84,5					
260	1	221,8	77,8	214,2	81,3	202,4	86,9	190,3	92,8	181,9	97,0
	3	237,6	79,0	229,5	82,5	217,0	88,1	204,1	94,0	195,2	98,2
	5	253,5	80,2	244,9	83,7	231,6	89,3	217,9	95,3		
	7	269,4	81,4	260,3	85,0	246,2	90,6	231,8	96,5		
	9	285,2	82,6	275,6	86,2	260,8	91,8	245,6	97,7		
	11	301,1	83,8	291,0	87,4	275,5	93,0				
14	324,9	85,7	314,0	89,2	297,4	94,9					
280	1	241,0	84,9	232,6	88,6	219,8	94,6	206,6	100,9	197,5	105,4
	3	258,0	86,2	249,1	90,0	235,5	96,0	221,4	102,3		
	5	275,0	87,6	265,6	91,4	251,1	97,4	236,2	103,7		
	7	292,0	89,0	282,0	92,8	266,7	98,8	251,0	105,2		
	9	309,0	90,4	298,5	94,2	282,4	100,2	265,8	106,6		
	11	326,0	91,8	315,0	95,6	298,0	101,6				
14	351,5	93,8	339,6	97,7	321,5	103,7					
300	1	259,1	92,9	250,1	97,4	236,0	104,5	221,3	112,1	211,3	117,4
	3	277,6	94,2	268,0	98,7	253,0	105,8	237,4	113,4	226,7	118,7
	5	296,1	95,4	285,8	99,9	270,0	107,1	253,5	114,6		
	7	314,6	96,7	303,7	101,2	287,0	108,3	269,6	115,9		
	9	333,0	98,0	321,6	102,5	304,0	109,6	285,7	117,1		
	11	351,5	99,2	339,5	103,7	320,9	110,9				
14	379,2	101,1	366,3	105,6	346,4	112,8					
330	1	277,2	96,9	267,8	101,5	253,3	108,8	238,2	116,6	227,8	122,1
	3	297,3	98,1	287,2	102,7	271,7	110,1	255,7	117,9	244,6	123,3
	5	317,3	99,4	306,7	104,0	290,2	111,3	273,2	119,1		
	7	337,3	100,6	326,1	105,2	308,7	112,6	290,7	120,4		
	9	357,4	101,9	345,5	106,5	327,1	113,8	308,2	121,6		
	11	377,4	103,1	364,9	107,8	345,6	115,1				
14	407,5	105,0	394,0	109,6	373,3	117,0					
360	1	304,1	108,9	293,7	114,0	277,7	121,9	261,1	130,4	249,7	136,3
	3	325,6	110,5	314,5	115,5	297,4	123,5	279,7	132,0	267,6	137,9
	5	347,0	112,1	335,3	117,1	317,1	125,1	298,4	133,6		
	7	368,5	113,6	356,0	118,7	336,8	126,7	317,0	135,2		
	9	389,9	115,2	376,8	120,2	356,6	128,3	335,7	136,8		
	11	411,4	116,7	397,5	121,8	376,3	129,8				
14	443,5	119,0	428,7	124,1	405,9	132,2					

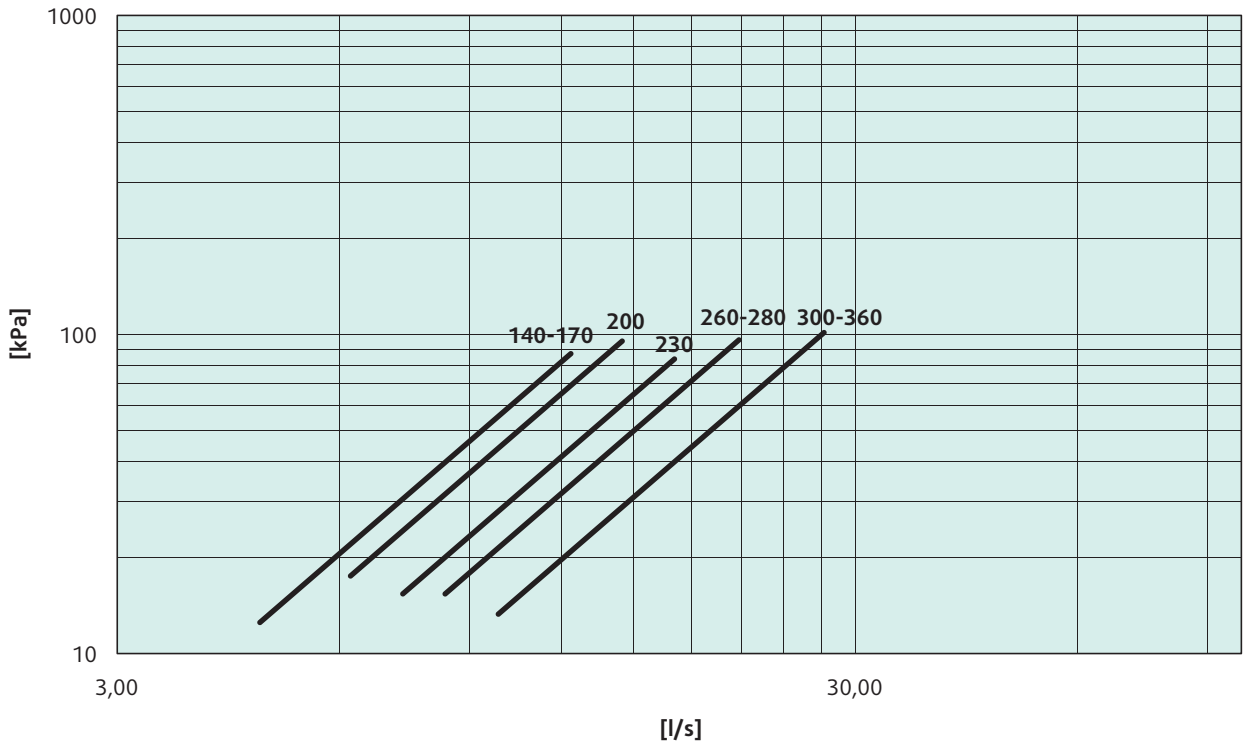
(*) Only Compressors

Evaporator Water Pressure Drop Curves

SyScroll Air EVO CO

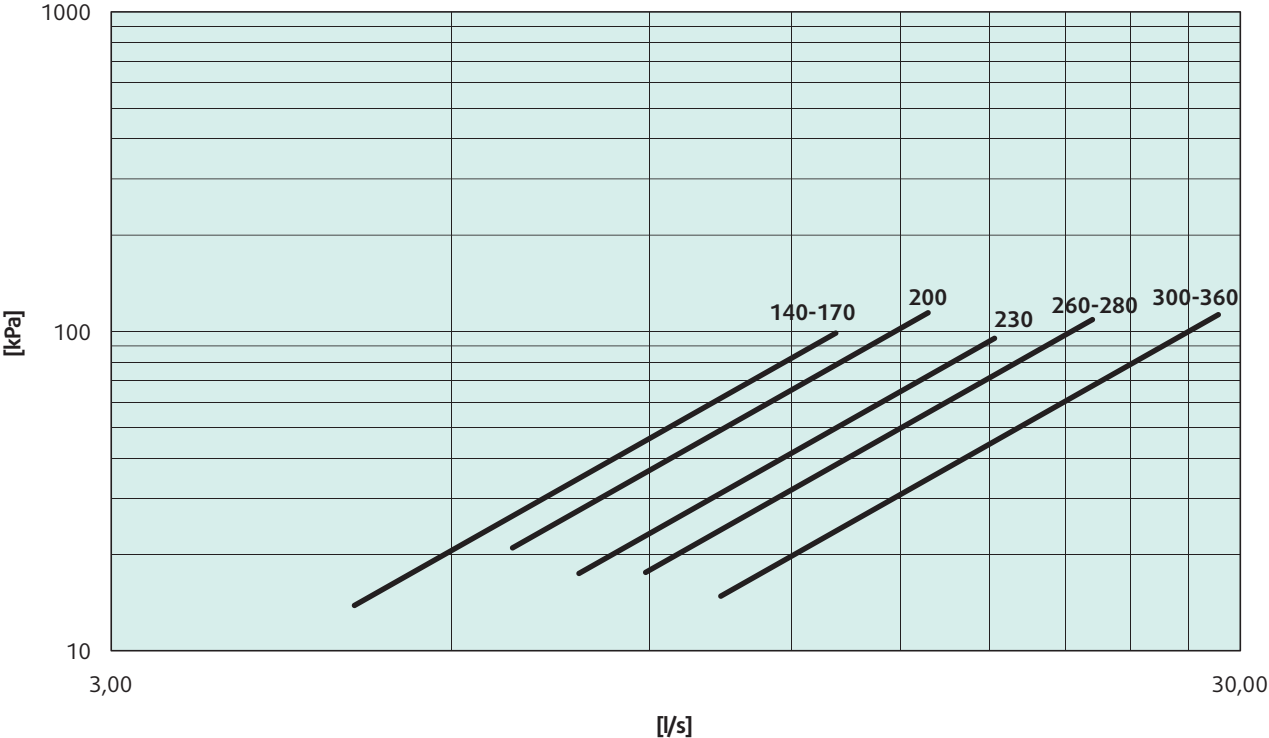


SyScroll Air EVO HP

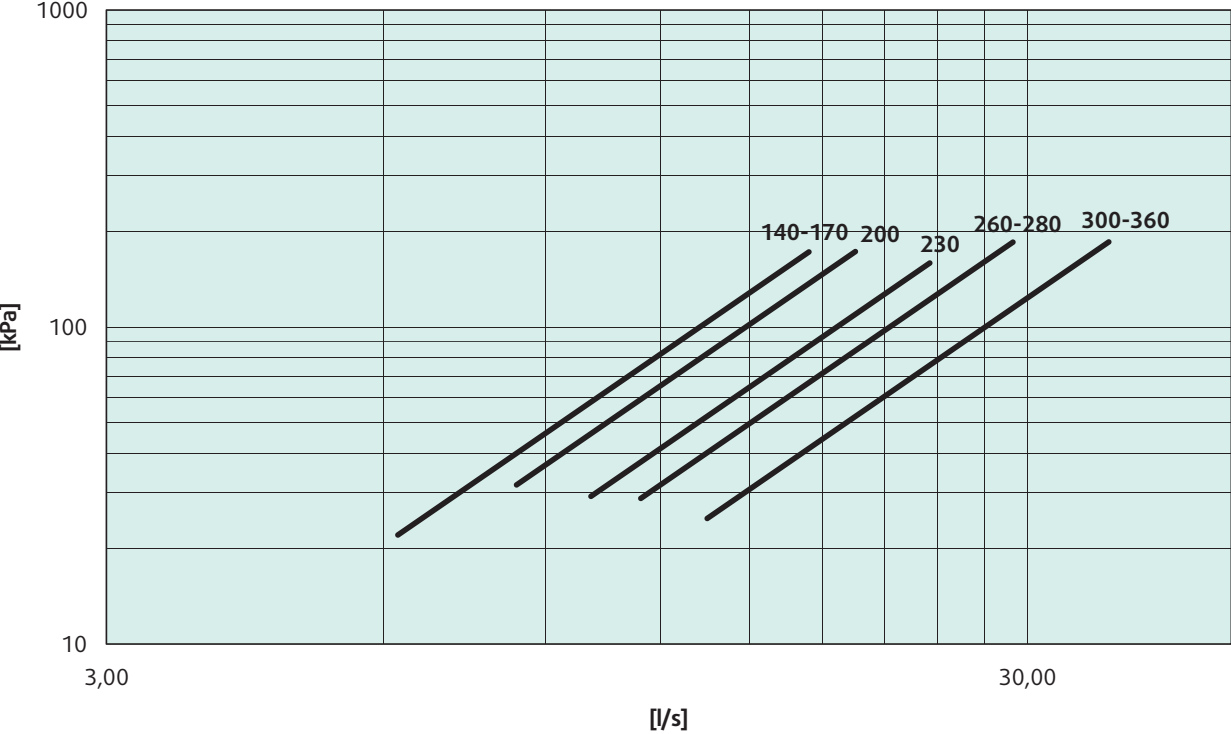


Condenser Water Pressure Drop Curves

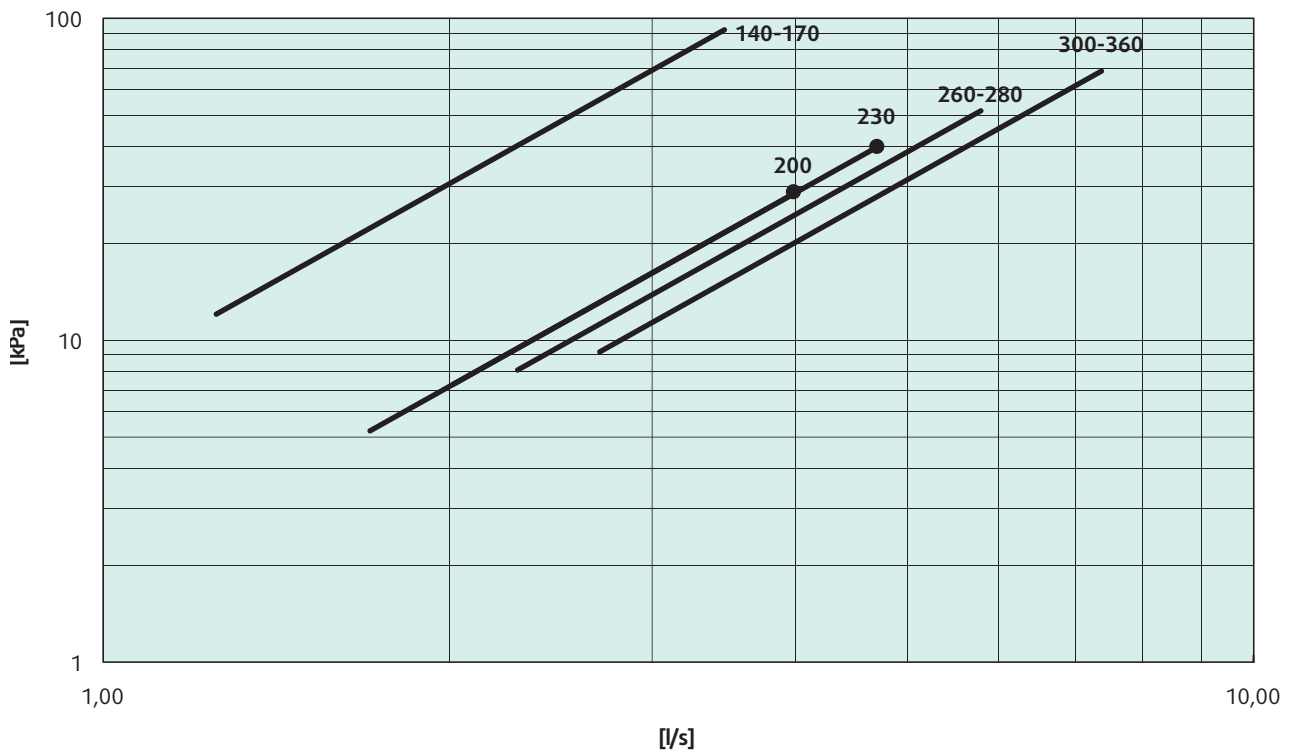
SyScroll Air EVO HP



SyScroll Air EVO TR

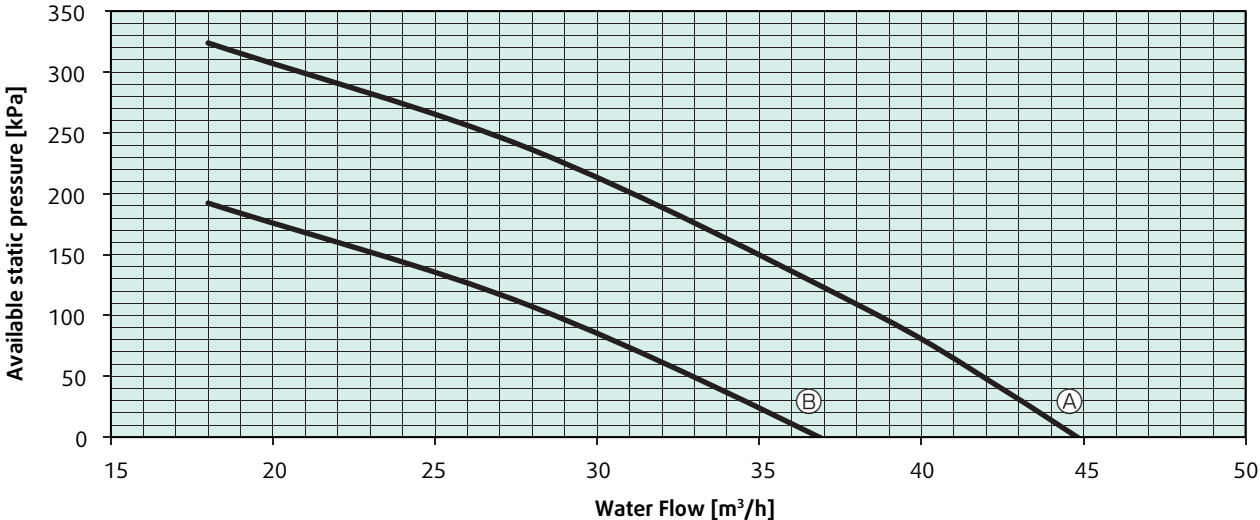


Desuperheater pressure drop

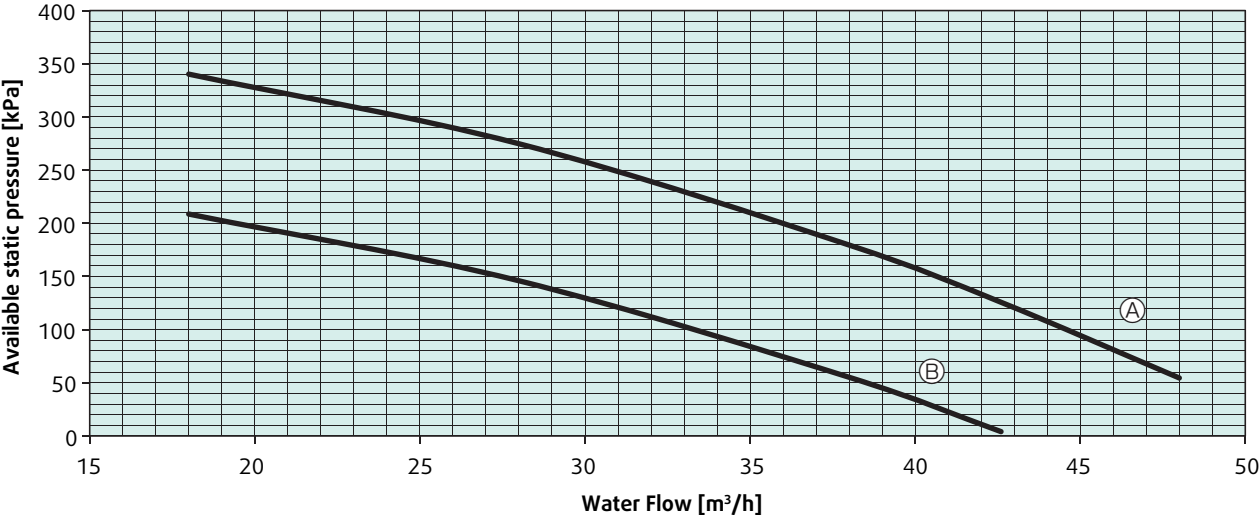


Available pressure head - SyScroll Air Evo CO

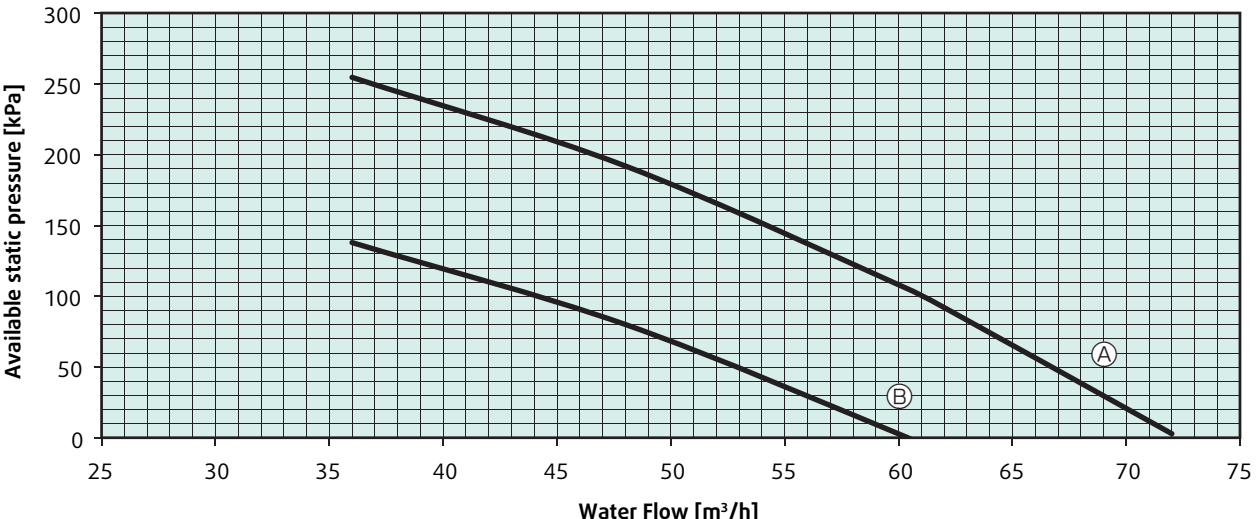
SyScroll Air Evo 140-170 CO



SyScroll Air Evo 200 CO



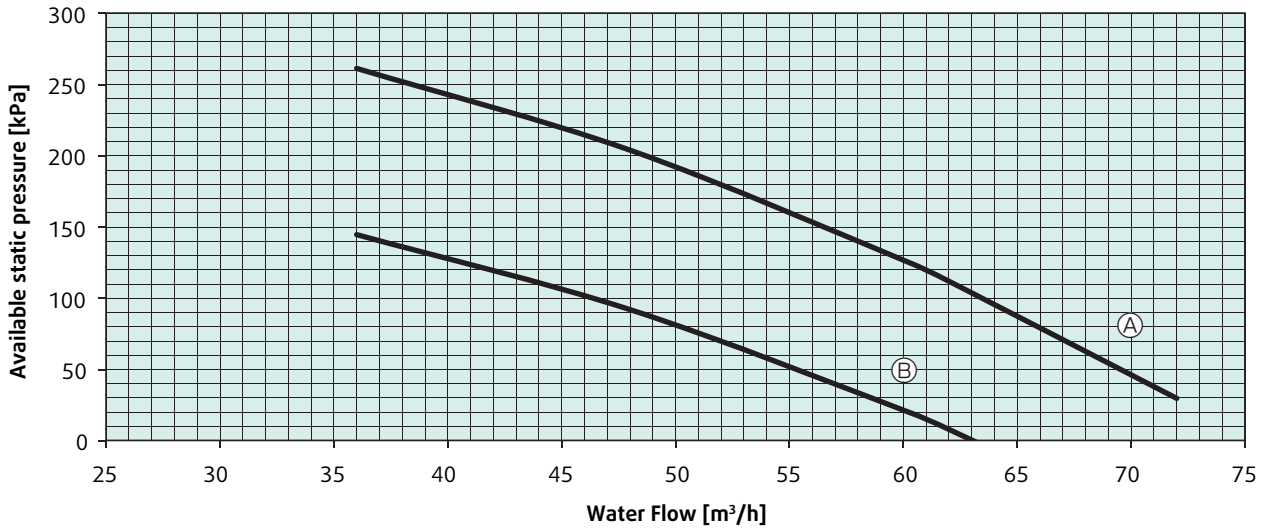
SyScroll Air Evo 230 CO



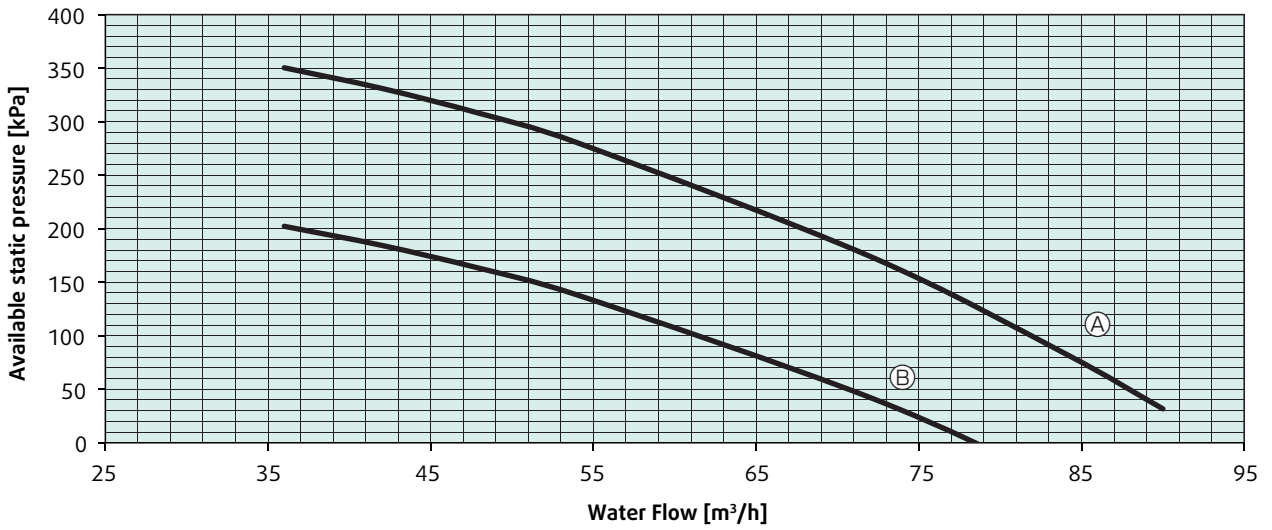
Curve A: High pressure.
Curve B: Low pressure.
Note: Data refer to 2PT.

Available pressure head - SyScroll Air Evo CO (continued)

Syscroll Air Evo 260-280 CO



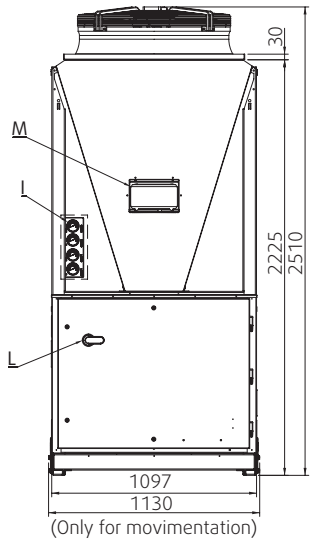
Syscroll Air Evo 300-330-360 CO



Curve A: High pressure.
 Curve B: Low pressure.
 Note: Data refer to 2PT.

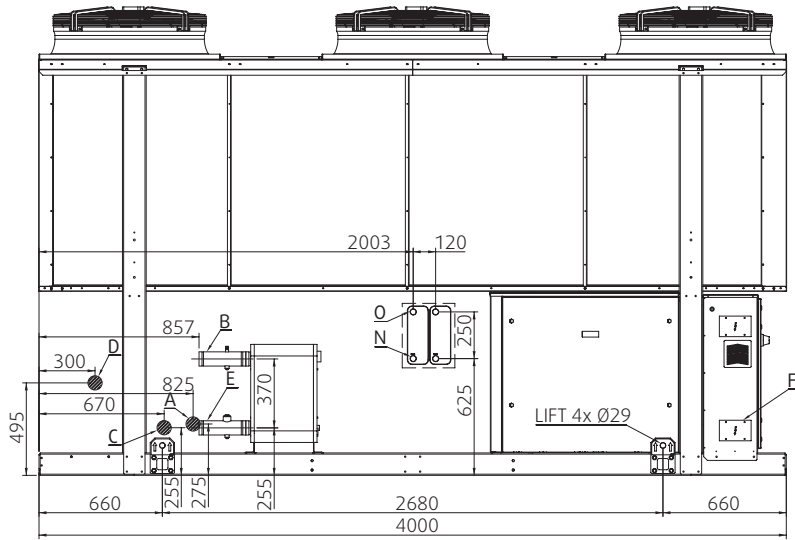
Dimensions SyScroll Air EVO 140-170

Top view

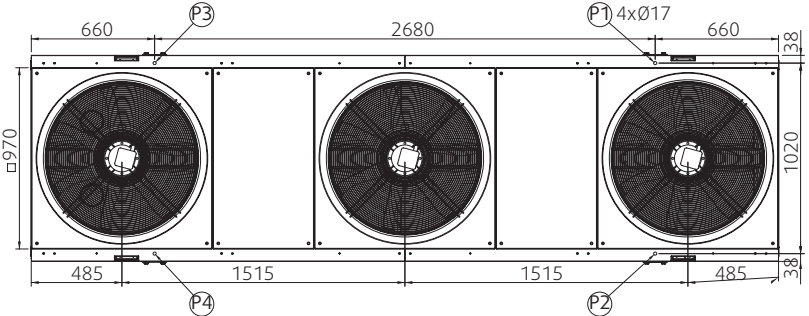


(Only for movimentation)

Side view



Top view



NOTES

- A B C D E Water connection 2" 1/2 Victaulic \varnothing 76,1 mm
- F Electrical power supply
- I Gauge kit (Accessory)
- L Main switch
- M Control keypad / display

Hydraulic option	Water in	Water out
STD	B	E
1P/2P	A	C
1PT/2PT	A	D

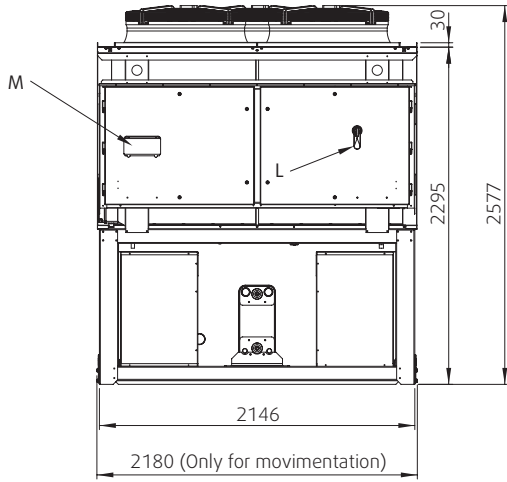
OPTIONAL

- N Desuperheater water inlet \varnothing 1" GAS M
- O Desuperheater water outlet \varnothing 1" GAS M

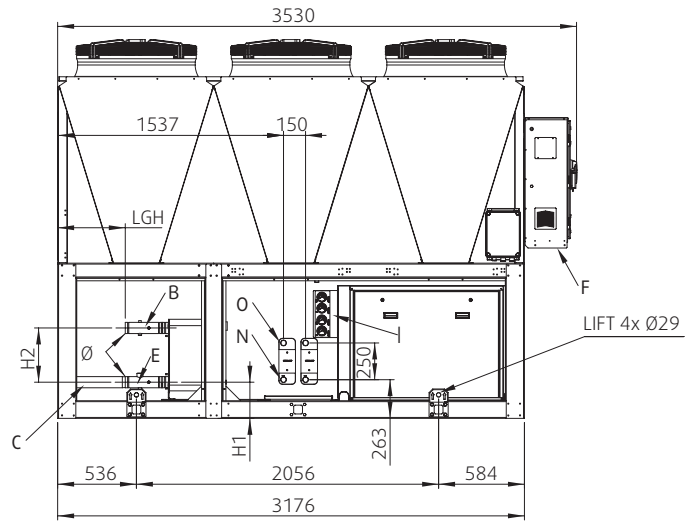
P1, P2, P3, P4 AVM position

Dimensions SyScroll Air EVO 200-280

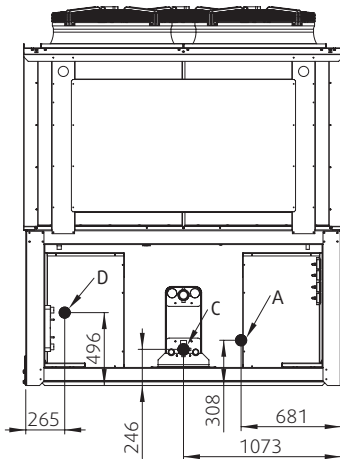
Top view



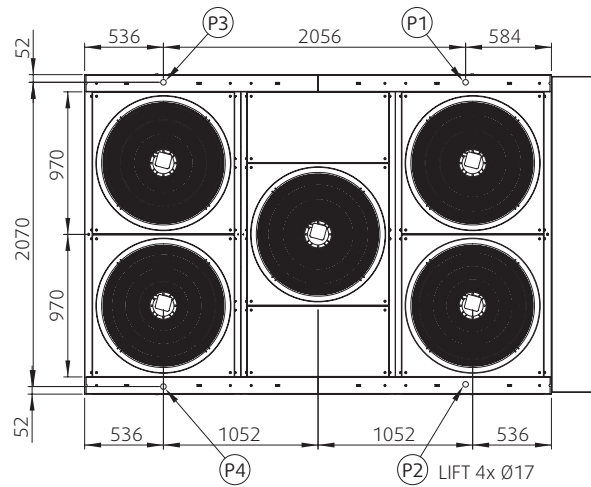
Side view



Back view



Top view



NOTES

- A B C D E Water connection
- F Electrical power supply
- I Gauge kit (Accessory)
- L Main switch
- M Control keypad / display

OPTIONAL

- N Desuperheater water inlet \varnothing 1" GAS M
- O Desuperheater water outlet \varnothing 1" GAS M

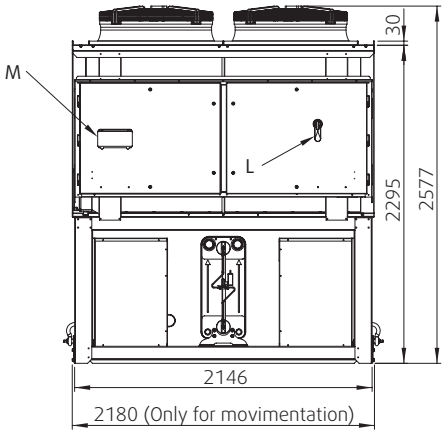
P1, P2, P3, P4 AVM position

Size	H1	H2	LGH	\varnothing
200	246	370	440	2" 1/2 Victaulic \varnothing 76,1 mm
230-260-280	205	520	344	3" Victaulic \varnothing 88,9 mm

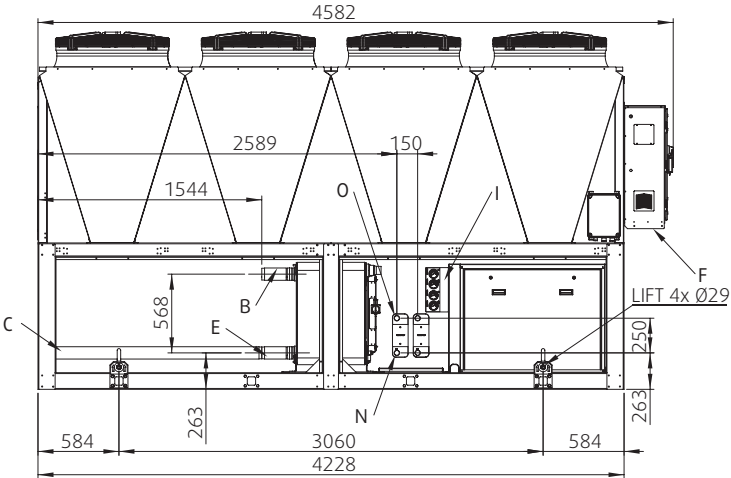
Hydraulic option	Water in	Water out
STD	B	E
1P/2P	A	C
1PT/2PT	A	D

Dimensions SyScroll Air EVO 300-360

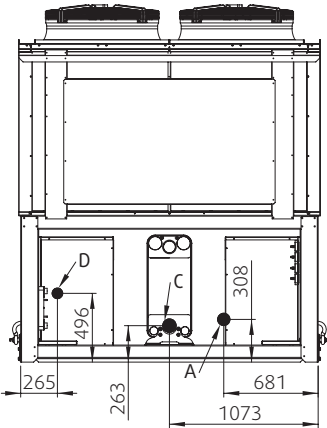
Top view



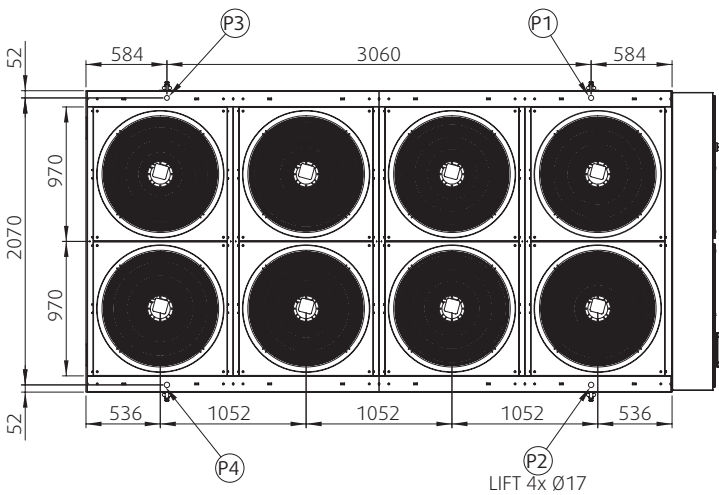
Side view



Back view



Top view



NOTES

- A B C D E Water connection 3" Victaulic ø 88,9 mm
- F Electrical power supply
- I Gauge kit (Accessory)
- L Main switch
- M Control keypad / display

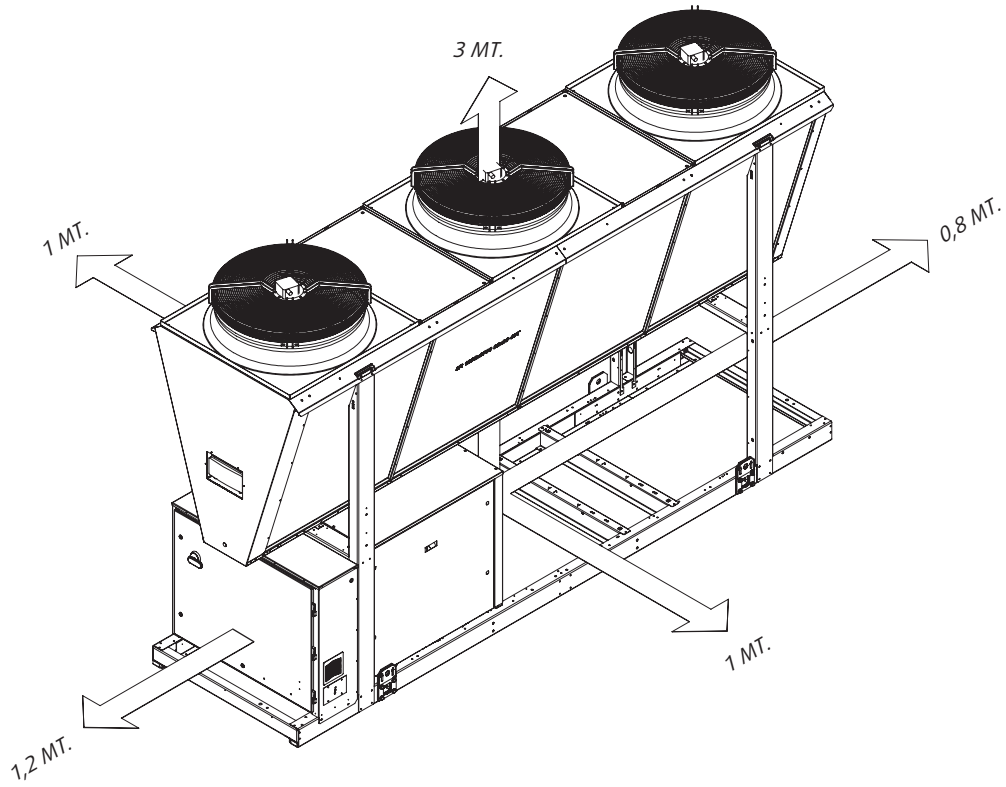
Hydraulic option	Water in	Water out
STD	B	E
1P/2P	A	C
1PT/2PT	A	D

OPTIONAL

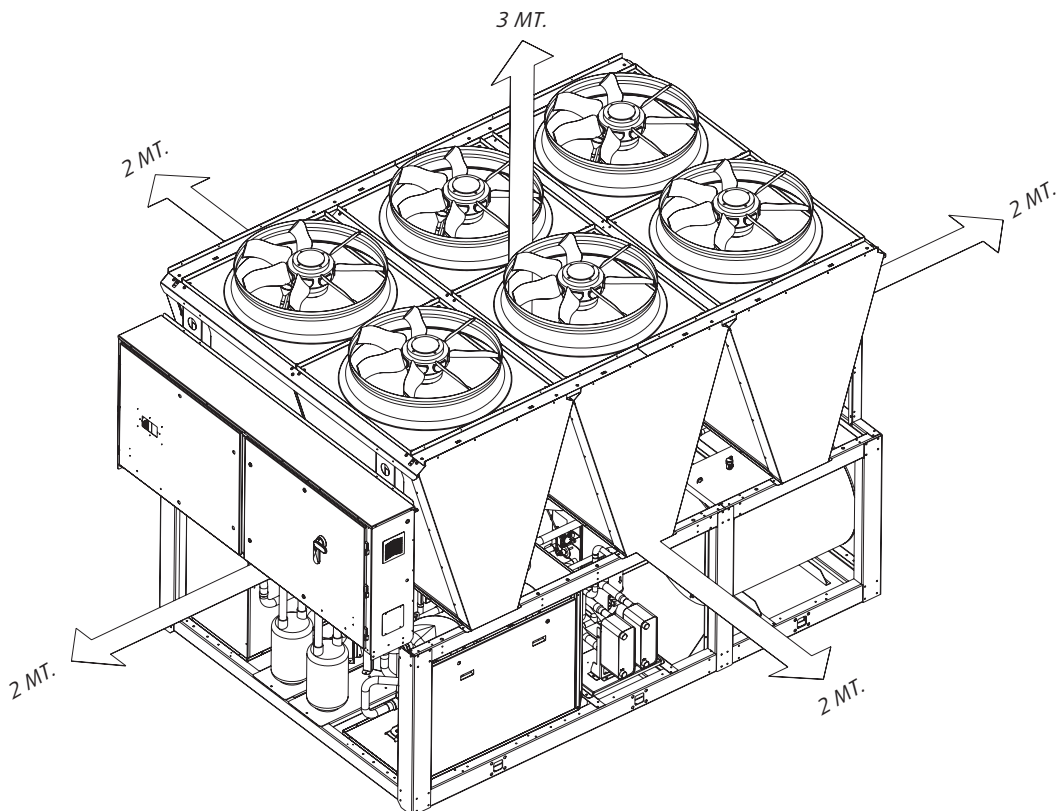
- N Desuperheater water inlet ø 1" GAS M
- O Desuperheater water outlet ø 1" GAS M

P1, P2, P3, P4 AVM position

Space requirements 140-170



Space requirements 200-360





Systemair AC srl
Via XXV Aprile, 29
20825 Barlassina (MB)
Italy

Tel. +39 0362 680 1
Fax +39 0362 680 693