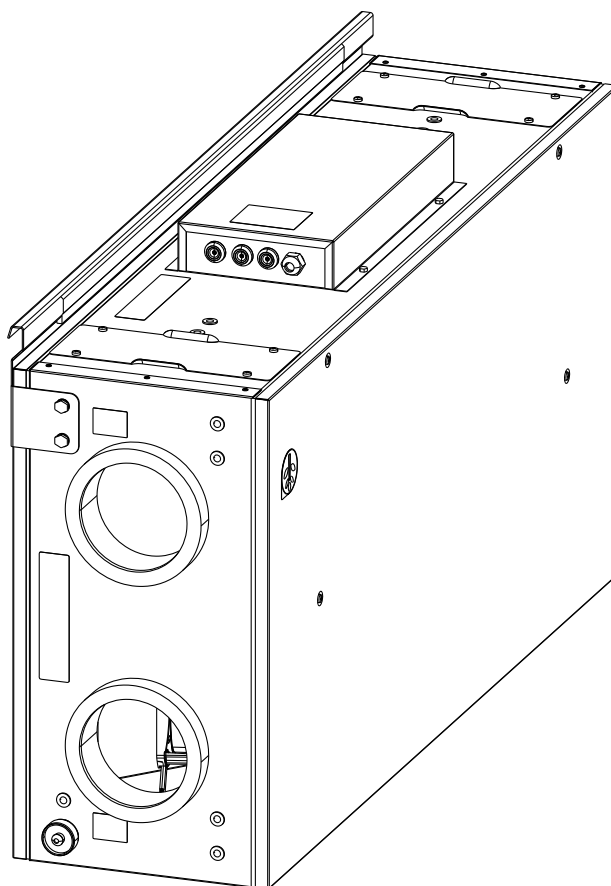


# SAVE VSR 150/B

## A Wall Mounting Kit



### Installation instructions

## **Contents**

1 Warnings.....	1
2 Installation procedure.....	1

# 1 Warnings

## Warning

- Beware of sharp edges during mounting and maintenance. Use protective gloves.
- Consider the unit weight when mounting! The unit weights about 47 kg.
- This product must only be operated by a person which has suitable knowledge or education within this field or carried out with the supervision of a suitably qualified person.

# 2 Installation procedure

1

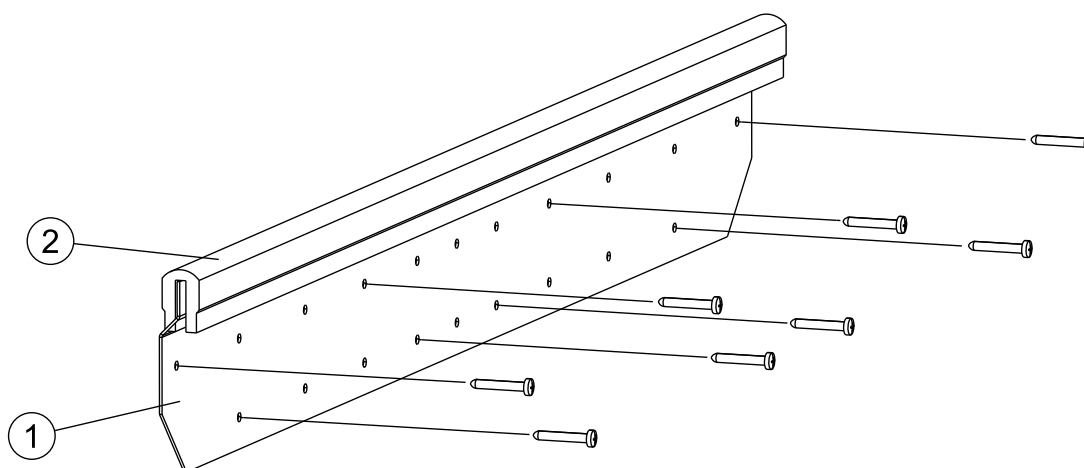
Prepare the surface where the unit should be mounted. Make sure that the wall is flat and supports the weight of the unit. Perform the installation in accordance with local rules and regulations.

2

## Warning

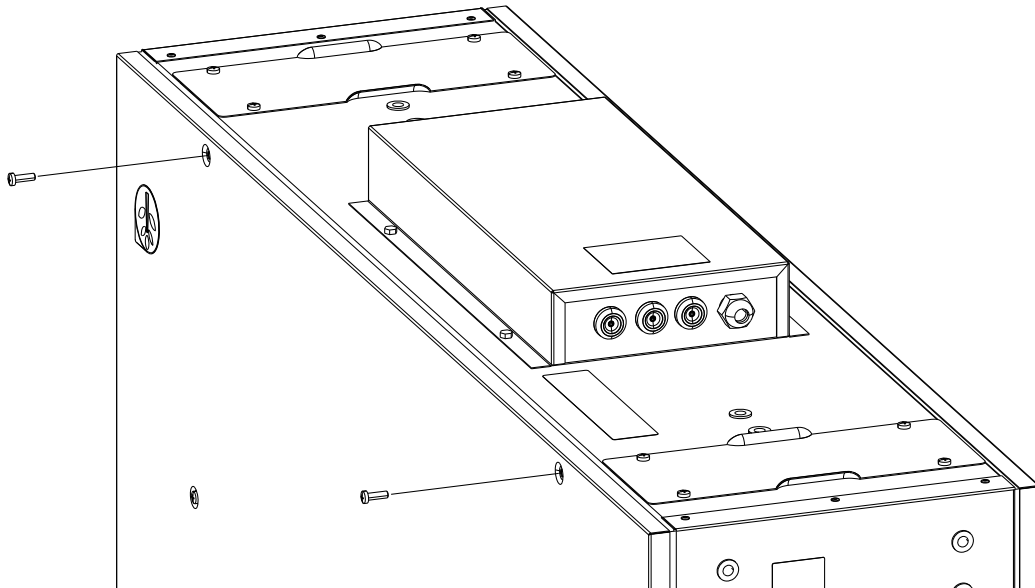
- Beware of sharp edges during mounting and maintenance. Use protective gloves.
- Consider the unit weight when mounting!

Fit the wall bracket (pos. 1) with the anti vibration pad (pos. 2) to the wall with enclosed screws. Use appropriate holes to screw the bracket firmly to the wall.



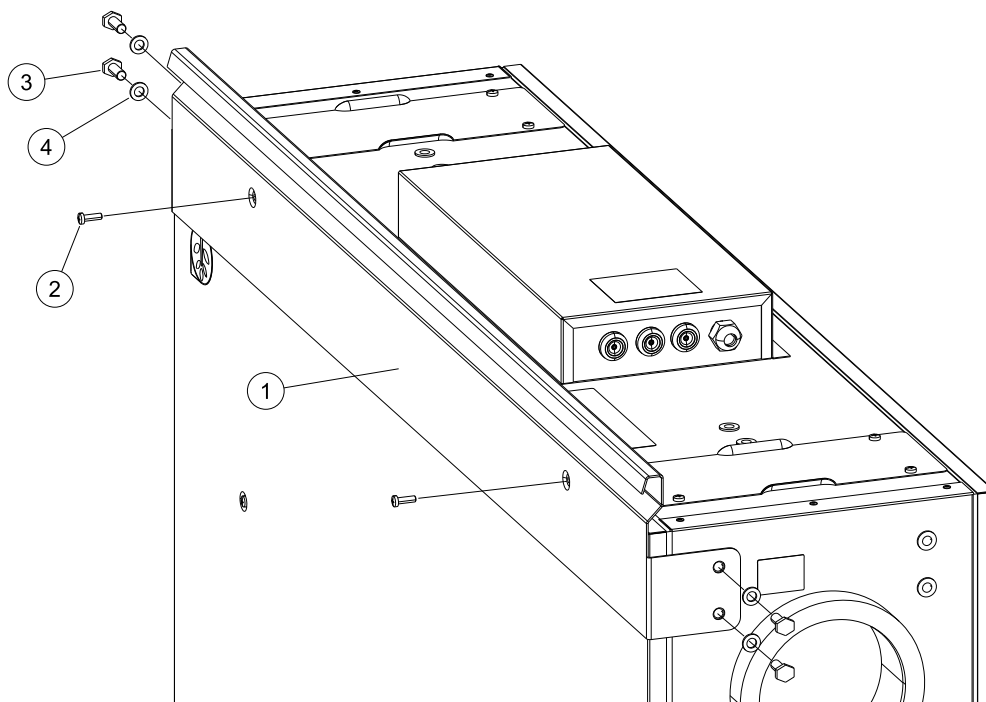
### 3

Unscrew two door screws.

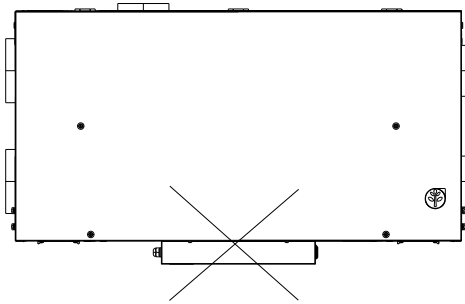


### 4

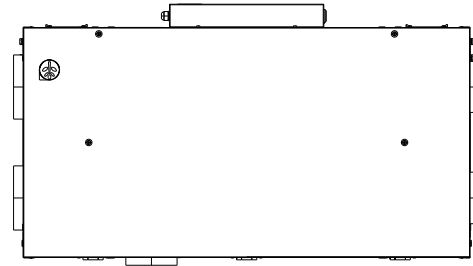
Attach the mounting bracket to the unit (pos. 1). Tighten previously removed door screws (pos. 2). Then tighten four screws (pos. 3) with washers (pos. 4) that were supplied to secure the mounting bracket in place.



Make sure the unit is positioned correctly with the electrical connection box at the top.



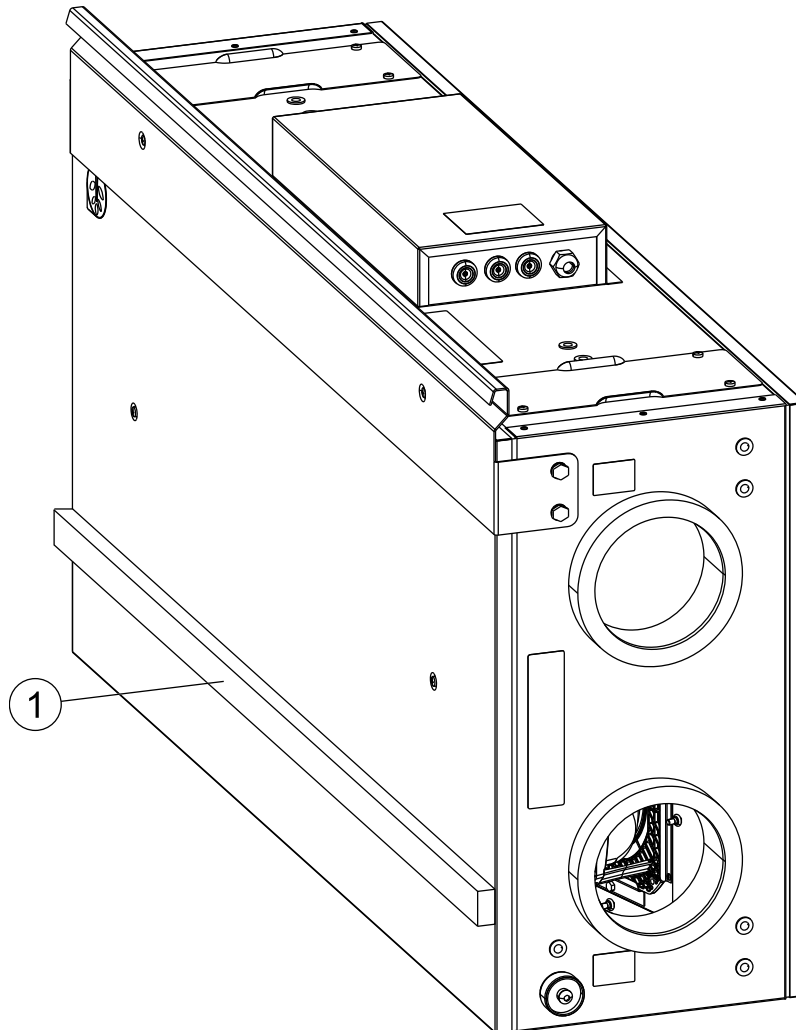
***Incorrect position with connection box at the bottom***



***Correct position with connection box at the top***

**5**

Add the anti vibration strip (pos. 1) on the lower half of the unit backside.



6

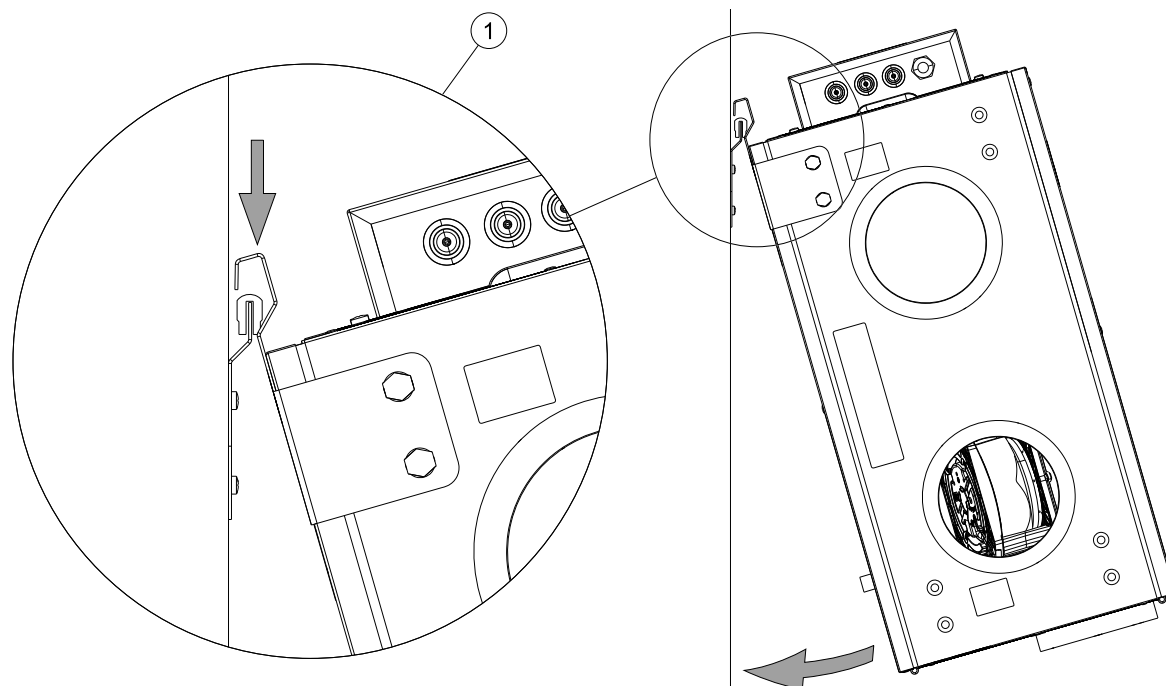
Lift the unit and position it over the mounting bracket and then slide the unit downward to set it in place (pos. 1).

---

**Note:**

Assure that the unit is completely vertical once mounted on the wall.

---





Systemair AB reserves the right to make changes and improvements to the contents of this manual without prior notice.



Systemair AB  
Industrivägen 3  
SE-739 30 Skinnkatteberg, Sweden

Phone +46 222 440 00

Fax +46 222 440 99