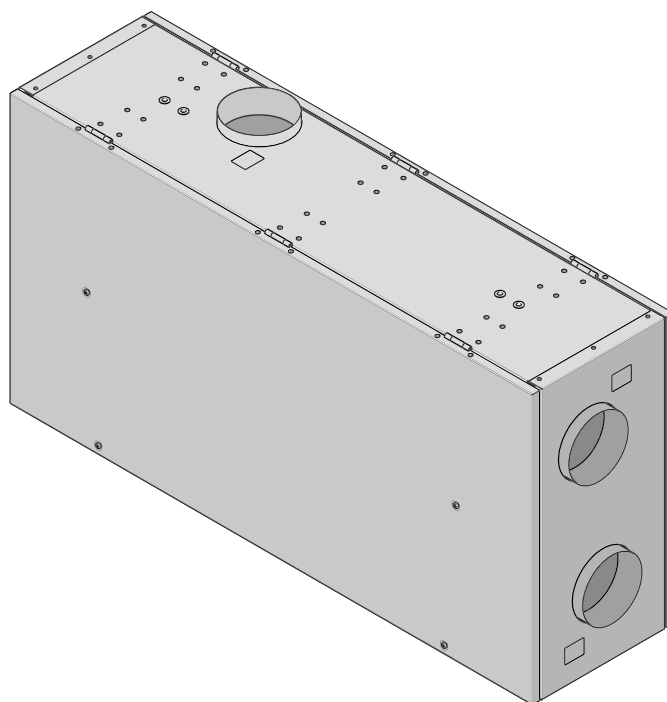


SAVE VSR 150/B



GB Installation and Service

Systemair is not liable or bound by warranty if these instructions are not adhered to during installation or service.

© 2015 Copyright Systemair AB

Systemair AB can accept no responsibility for possible errors in catalogues, brochures and other printed material. Systemair AB reserves the right to alter its products without notice. This also applies to products already on order provided that such alterations can be made without sub sequential changes being necessary in specifications already agreed.

All rights reserved.

Contents

1 Declaration of Conformity	1
2 Disposal and recycling	2
3 Warnings	2
4 About this document	3
5 Product information	3
5.1 General	3
5.2 Transport and storage	3
5.3 Technical data	4
6 Installation	6
6.1 Unpacking	6
6.2 Where/how to install	6
6.3 Installing the unit	7
6.4 Installation procedure	8
7 Commissioning	9
7.1 Control panel	9
7.2 Start up wizard	11
7.3 System curves	12
7.4 Airflow settings	15
7.5 Defrost level settings	16
7.6 Programming the Week schedule	18
7.7 Ext/Force run	19
7.8 Extra functions	19
7.9 Electrical connections	20
7.10 External connections on the unit	23
8 Before starting the system	23
9 Operation	24
9.1 Setting the temperature	24
9.2 Manual setting of airflow	24
9.3 Manual and automatic summer mode	24
9.4 Cool recovery	25
9.5 Service menu overview	25
10 Service	36
10.1 Warnings	36
10.2 Internal components	37
10.3 Component descriptions	38
10.4 Trouble shooting	40
10.5 Alarm list	41
10.6 Replacing rotor drive belt	43

1 Declaration of Conformity

Manufacturer



Systemair UAB
Linių st. 101
LT-20174 Ukmergė, LITHUANIA
Office: +370 340 60165 Fax: +370 340 60166

hereby confirms that the following product:

Heat recovery ventilation unit: SAVE VSR 150/B

(The declaration applies only to product in the condition it was delivered in and installed in the facility in accordance with the included installation instructions. The insurance does not cover components that are added or actions carried out subsequently on the product).

Comply with all applicable requirements in the following directives:

- Machinery Directive 2006/42/EC
- Low Voltage Directive 2006/95/EC
- EMC Directive 2004/108/EC
- Ecodesign Directive 2009/125/EC

The following regulations are applied in applicable parts:

1253/2014	Requirements for ventilation units
1254/2014	Energy labelling of residential ventilation units
327/2011	Requirements for fans above 125 W

The following harmonized standards are applied in applicable parts:

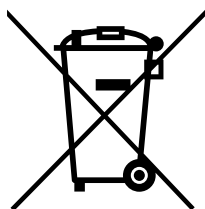
EN ISO 12100:2010	Safety of machinery - General principles for design - Risk assessment and risk reduction
EN 13857	Safety of machinery – Safety distances to prevent hazard zones being reached by upper or lower limbs
EN 60 335-1	Household and similar electrical appliances – Safety Part 1: General requirements
EN 60 335-2-40	Safety of household and similar electrical appliances – Part 2-40: Particular requirements for electrical heat pumps, air-conditioners and dehumidifiers
EN 62233	Measurement methods for electromagnetic fields of household appliances and similar apparatus with regard to human exposure
EN 50 106:2007	Safety of household and similar appliances – Particular rules for routine tests referring to appliances under the scope of EN 60 335-1 and EN 60967
EN 61000-6-2	Electromagnetic compatibility (EMC) – Part 6-2: Generic standards – Immunity for industrial environments
EN 61000-6-3	Electromagnetic compatibility (EMC) – Part 6-3: Generic standards – Emission standards for residential, commercial and light-industrial environments

Skinnskatteberg, 29-10-2015



Mats Sándor
Technical Director

2 Disposal and recycling



This product are applicable to the WEEE directive. When disposing the unit, follow your local rules and regulations.

This product packing materials are recyclable and can be reused. Do not dispose in household waste.



3 Warnings

The following admonitions will be presented in different sections of the document:

Danger

- Make sure that the mains supply to the unit is disconnected before performing any maintenance or electrical work!
- All electrical connections and maintenance work must be carried out by an authorized installer and in accordance with local rules and regulations.

Warning

- The system should operate continuously, and only be stopped for maintenance/service.
- The installation of the unit and complete ventilation system must be performed by an authorized installer and in accordance with local rules and regulations.
- Beware of sharp edges during mounting and maintenance. Use protective gloves.
- All though the Mains supply to the unit has been disconnected there is still risk for injury due to rotating parts that have not come to a complete standstill.
- Make sure that filters are mounted before starting the unit.
- This product must only be operated by a person which has suitable knowledge or education within this field or carried out with the supervision of a suitably qualified person.

Caution

- Do not connect tumble dryers to the ventilation system.
- Duct connections/duct ends must be covered during storage and installation.

4 About this document

This installation manual concerns air handling unit type SAVE VSR 150/B manufactured by Systemair AB. The manual consists of basic information and recommendations concerning the design, installation, start-up and operation, to ensure a proper fail-free operation of the unit.

The key to proper and safe operating of the unit is to read this manual thoroughly, use the unit according to given guidelines and adhere to all safety requirements.

5 Product information

5.1 General

The SAVE VSR 150/B is a heat recovery ventilation unit, with two built in rotating heat exchangers. The SAVE VSR 150/B is suitable for houses with up to 100 m² heated living area.

The SAVE VSR 150/B supplies filtered outdoor air to residential areas and extract air from bathroom, kitchen and wet rooms. SAVE VSR 150/B is equipped with a 500 W electrical re-heater battery.

5.2 Transport and storage

The SAVE VSR 150/B should be stored and transported in such a way that it is protected against physical damage that can harm panels etc. It should be covered so dust, rain and snow cannot enter and damage the unit and its components.

The appliance is delivered in one piece containing all necessary components, wrapped in plastic on a pallet for easy transportation.

5.3 Technical data

5.3.1 Dimensions and Weight

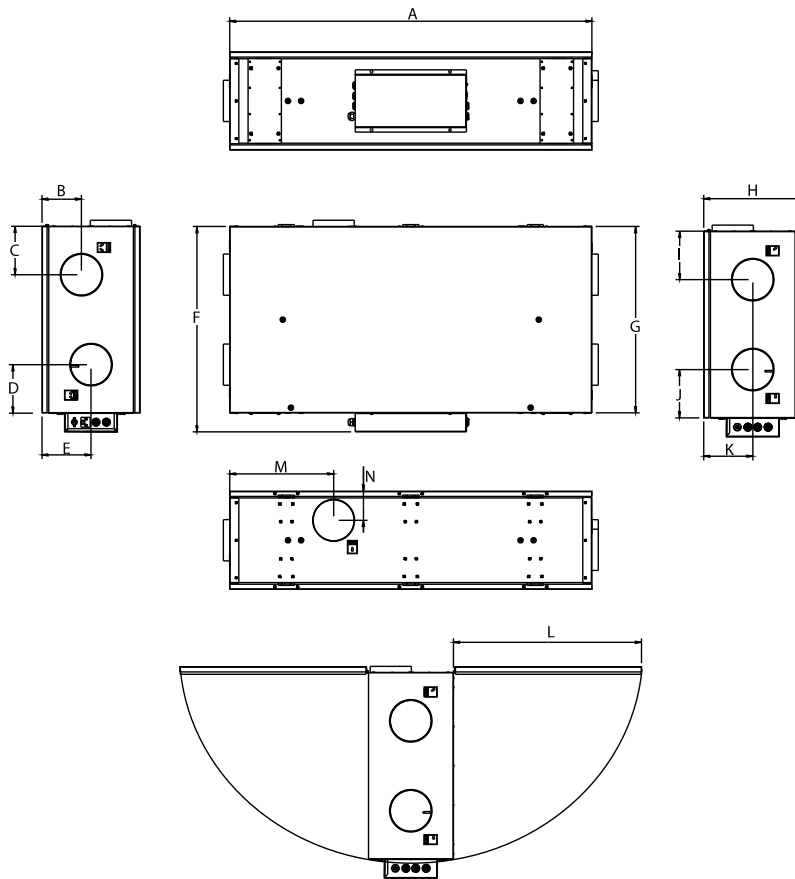


Fig. 1 Dimensions and weight

Measures in mm and weight in kg.

A	B	C	D	E	F	G	H	I	J	K	L	M	N	Weight
1108	121	148	148	150	628	570	300	148	148	150	575	318	89	47

5.3.2 Duct connections

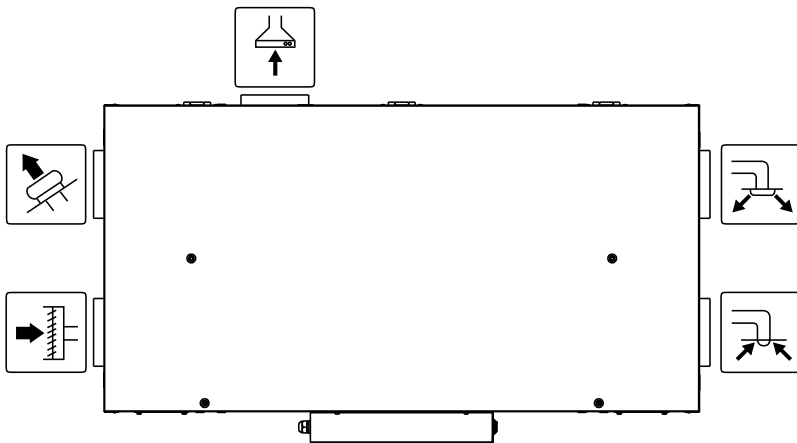
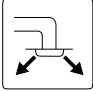
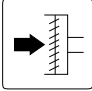
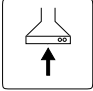
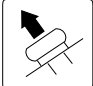
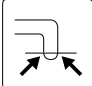


Fig. 2 Duct connections

Symbol	Description	Symbol	Description	Symbol	Description
	Supply air		Outdoor air		Cooker hood air
	Exhaust air		Extract air		

5.3.3 Power consumption and fuse size

Re-heater	500 W
Fans	74 W
Total power consumption	574 W
Fuse	10 A

6 Installation

This section describes how to install the unit correctly. To ensure a proper and fail-free operation, it is important that the unit is installed according to these instructions.

6.1 Unpacking

Verify that all ordered equipment are delivered before starting the installation. Any discrepancies from the ordered equipment must be reported to the supplier of Systemair products.

6.2 Where/how to install

The SAVE VSR 150/B should preferably be installed in a separate room (e.g. storeroom, laundry room or similar.), but can also be installed in the kitchen or installed flushed in the ceiling.

Note:

SAVE VSR 150/B must be installed in a heated area.

When choosing the installation position, consideration must be taken that the unit requires regular maintenance.

- If the unit is installed standing on a floor, flooring boards must be mounted up to and under the unit. Make sure that the weight of the unit is supported.
- If the unit is wall or ceiling mounted, make sure that the weight of the unit is supported. Mount according to local rules and regulations.

Leave free space for removing of inspection doors in order to perform service and maintenance on components inside the unit and also for connections of external functions to the electrical connection box.

The SAVE VSR 150/B is supplied with approximately 2 m cable and plug for 230V, single phase earthed connection.

Recommended installation location for the outdoor air intake is the northern or eastern side of the building and with a distance to openings for discharge of stale ventilation air, kitchen ventilator, central vacuum system, waste water drainage and other pollution sources like exhaust from traffic etc. Stale discharge air should ideally be led via a roof unit to the outside and with a good distance to any outdoor air intake, windows etc.

6.3 Installing the unit

The unit can be installed in the following positions.

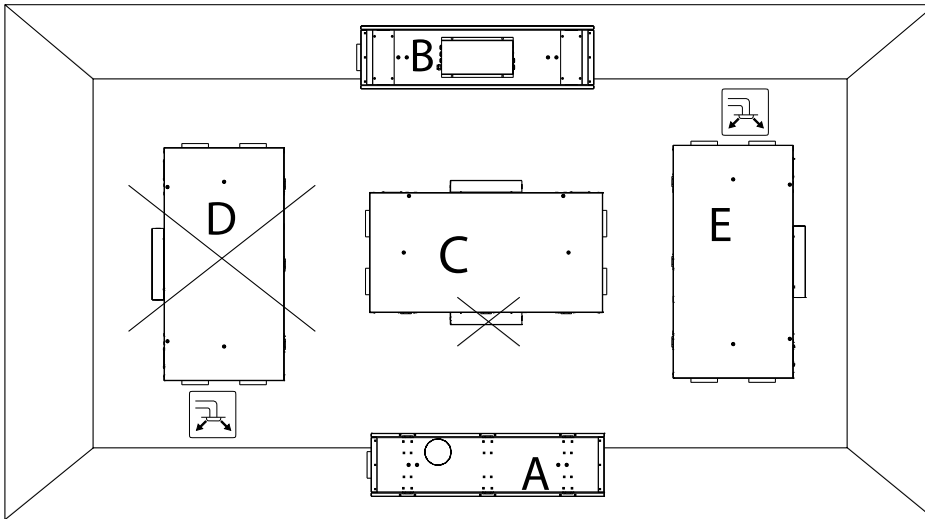
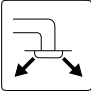


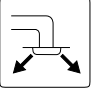
Fig. 3 Possible installation positions

- A. Installation flat on the floor. Left and right connections are possible.
The enclosed self adhesive vibration dampers may be used.
- B. Ceiling installation. Left and right connections are possible.
The enclosed mounting brackets are to be used.
- C. Horizontal wall installation. Left and right connections are possible.
A wall mounting kit is required. Not delivered with the unit.

Note:

The unit may not be installed with the electrical connection box facing downward due to the fact that the heat from the re-heater is rising in the unit!

D. Vertical wall installation position D with the supply air  downwards is **not allowed** due to the fact that the heat from the re-heater is rising in the unit.

E. Vertical wall installation position E with the supply air  upwards is allowed.
A wall mounting kit is required. Not delivered with the unit.

6.4 Installation procedure

Note:

The rotating heat exchanger package is secured with eight screws, four on each side (A and B), see figure 4. If the unit is installed with a side cover close to a wall, ceiling or any obstacle that prevents the side cover to be fully opened, the screws holding the heat exchanger on that side must be removed. This to ensure future maintenance of the heat exchanger.

1. Open the appropriate side cover.
2. Remove the screws, either (1) or (2).
3. Close the side cover.

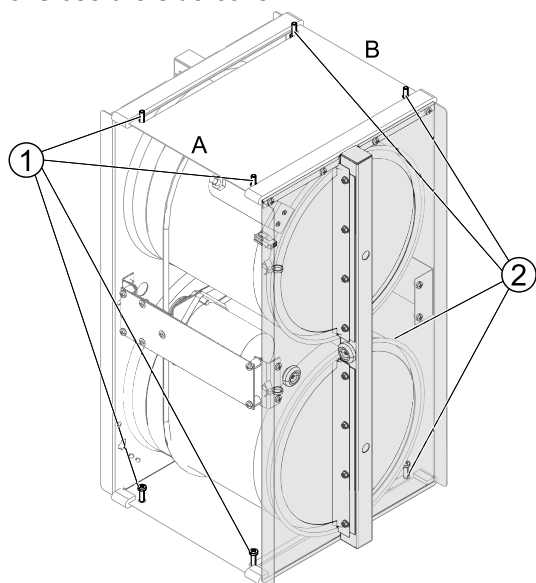


Fig. 4 Fixing screws for the heat exchanger

4. Make sure that the surface is flat and that it supports the weight of the unit. Perform the installation in accordance with local rules and regulations.
5. For installation positions see figure 3.

Installation position A: Fit the enclosed self adhesive vibration dampers on the unit. Mount according to the enclosed description.

Installation position B: Fit the enclosed mounting brackets. Mount according to the enclosed description.

Installation positions C and E: A wall mounting kit is required. Not delivered with the unit.

6.

Warning

Beware of sharp edges during mounting and maintenance. Use protective gloves. Consider the unit weight when mounting!

Lift the unit in place and fasten it.

7.

Warning

The installation of the unit and complete ventilation system must be performed by an authorized installer and in accordance with local rules and regulations.

Connect the unit to the duct system. Make sure that all necessary accessories are used to create a functional ventilation solution.

7 Commissioning

Connect the unit electrically to the mains with the enclosed plug.

7.1 Control panel

Connect the unit electrically to the mains with the enclosed plug and check that it starts up correctly.

The control panel is used to make the necessary adjustments.

An external control panel can be connected on the top of the unit.

The illustration below shows the control panel with a short description.

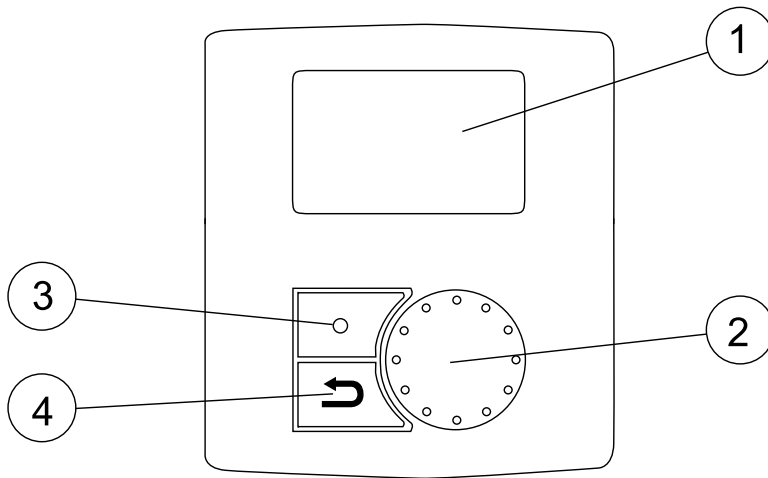
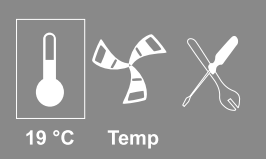






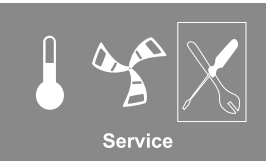



Fig. 5 Control panel

Position	Description	Explanation
1	Display	Shows symbols, menus and settings
2	SELECTION knob	Move through the menu lists or change settings and values by turning the knob left or right
3	ENTER button	ENTER menu choices or settings by pressing the button
4	RETURN button	Step RETURN in the menu levels and to abort an initiated parameter change and restore the original value by pressing the button

7.1.1 Display symbols

Symbol	Description	Explanation
	Temp	<p>Illustrates the current set-point for supply air temperature (from completely empty to filled symbol).</p> <p>Turn the SELECTION knob to choose temperature.</p> <p>Press ENTER to save the setting.</p>
	Airflow	<p>Illustrates the current airflow. The airflow can be set manually in 5 steps: Off, Low, Nom, High and Auto.</p> <p>Turn the SELECTION knob to choose airflow.</p> <p>Press ENTER to save the setting.</p> <div style="display: flex; justify-content: space-around; align-items: center;">      </div> <div style="display: flex; justify-content: space-around; align-items: center; margin-top: 5px;"> A B C D E </div> <p>A. Ventilation off.¹</p> <p>B. Low ventilation: Can be used when leaving the building for a longer period</p> <p>C. Nominal ventilation: Will give required air change under normal conditions.</p> <p>D. Maximum ventilation: To increase the airflow if necessary.</p> <p>E. Auto ventilation: Will regulate after the pre-setting for the demand control settings.</p>
	Service	Press ENTER to access the service menu.
	Alarm	Press ENTER to access the alarm list.

1. The fan can be set to OFF by activating manual fan stop. See service menu description under functions.

Important

It is not recommended to activate manual fan stop (set fan to OFF) in standard households. If manual fan stop is activated, the unit should be provided with dampers in exhaust and fresh air ducts to avoid cold draught and risk of condensation when the unit has been stopped.

7.2 Start up wizard

The **Start up Wizard** is a step-by-step configuration tool that starts automatically when the SAVE VSR 150/B is started for the first time or when:

- a factory reset is performed
- a new print card is installed (spare part)
In this case the unit type must be entered (SAVE VSR 150/B)

The airflow in the Start up wizard can be set by either l/s, m³/h or a percentage with the `Fan control`.

- If `Airflow System curve` is chosen, the settings will be in l/s, m³/h and system curves are selected.
- If `Airflow %` is chosen, the settings will be in percentage. System curves are not selectable.

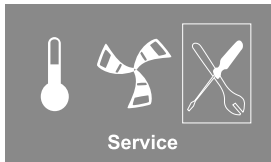
7.2.1 Procedure

1. Turn the SELECTION knob to choose language and press ENTER	Languages Language ENGLISH
2. Choose unit type, this choice is only present if a new print card is installed (spare part) or when a factory reset is performed.	Type SAVE VSR 150/B
3. Set date and time	Time/Date YY/MM/DD Date: 12/09/12 Time: 10:00 Weekday: Sat
4. Select heater: None/Electrical/Water/Other Note: This choice is available only after a factory reset, see chapter 7.2.2, or when a new print card is installed. Pre-heater is only available for VTC200.	Heater Pre-heater: YES/NO Reheater: None/Electrical/Water/Other
5. Fan control. Turn the SELECTION knob to select the type of fan control you prefer, <code>System curve</code> (l/s) or percentage (%) and press ENTER. Commission by %, see step 7. Note: System curves are not selectable when (%) is chosen. Note: Before setting the system curve, see chapter 7.3 for details. This function is implemented in the unit to compensate the flow values for different system pressures. Supply Fan (SF): Total value range: 1–20. For G3 type filter: 11–20, For F7 type filter: 1–10. Default curve: 3 Extract Fan (EF): Value range: 1–10 Default curve: 3	Fan control, Airflow System curve EF: 1–10 SF: 1–20

<p>Note:</p> <p>The factory installed filters are of filter quality F7 for the supply air and G3 for the extract air filter. Air filters are accessories and can be obtained from the installer or wholesaler.</p> <p>The filter type is labelled on the top of the filter.</p>													
<p>6. Here it is possible to change the Nominal/High/Low airflow on the Extract air fan (EF) and Supply air fan (SF). Airflow in l/s.</p> <p>When settings are done, press ENTER.</p>	<table border="1"> <thead> <tr> <th>Airflow l/s</th> <th>EF</th> <th>SF</th> </tr> </thead> <tbody> <tr> <td>Nom</td> <td>35</td> <td>35</td> </tr> <tr> <td>High</td> <td>44</td> <td>44</td> </tr> <tr> <td>Low</td> <td>22</td> <td>22</td> </tr> </tbody> </table>	Airflow l/s	EF	SF	Nom	35	35	High	44	44	Low	22	22
Airflow l/s	EF	SF											
Nom	35	35											
High	44	44											
Low	22	22											
<p>7. Here it is possible to change the Nominal/High/Low airflow on the Extract air fan (EF) and Supply air fan (SF). Airflow in %. System curves not selectable.</p> <p>When settings are done, press ENTER.</p>	<table border="1"> <thead> <tr> <th>Airflow %</th> <th>EF</th> <th>SF</th> </tr> </thead> <tbody> <tr> <td>Nom</td> <td>50</td> <td>50</td> </tr> <tr> <td>High</td> <td>100</td> <td>100</td> </tr> <tr> <td>Low</td> <td>25</td> <td>25</td> </tr> </tbody> </table>	Airflow %	EF	SF	Nom	50	50	High	100	100	Low	25	25
Airflow %	EF	SF											
Nom	50	50											
High	100	100											
Low	25	25											

7.2.2 Perform Factory reset

How to perform a factory reset if necessary:

<p>1. Enter the service menu by selecting the service symbol in the display and press ENTER.</p>	 <p>Service</p>
<p>2. Go to password and enter the password, default 1111</p> <p>Use the SELECTION knob for each digit and confirm with the ENTER button after each set digit and choose NO for the system not be locked.</p>	<p>Password</p> <p>Password XXXX</p> <p>Locked YES/NO</p>
<p>3. Go to Functions and select Factory Reset</p>	<p>Functions</p> <p>Factory reset</p>
<p>4. Turn the SELECTION knob so YES is shown and press ENTER.</p>	<p>Factory reset</p> <p>Really reset? YES/NO</p>
<p>5. ACCEPTED is shown in the display window</p>	<p>ACCEPTED</p>
<p>6. The Start up Wizard starts after approximately 10 seconds</p>	

7.3 System curves

A system requires different pressures at different airflows, which can be represented by a system curve. The intersection between the system line and the fan curve, is the unit's working point. It is showing the airflow the system is going to have. Every change in the pressure of the ventilation system, will give rise to a new system curve.

If you choose to do the commissioning with l/s or m³/h, you need to know the system's pressure in order to choose a suitable system curve.

7.3.1 Supply air, F7 type filter

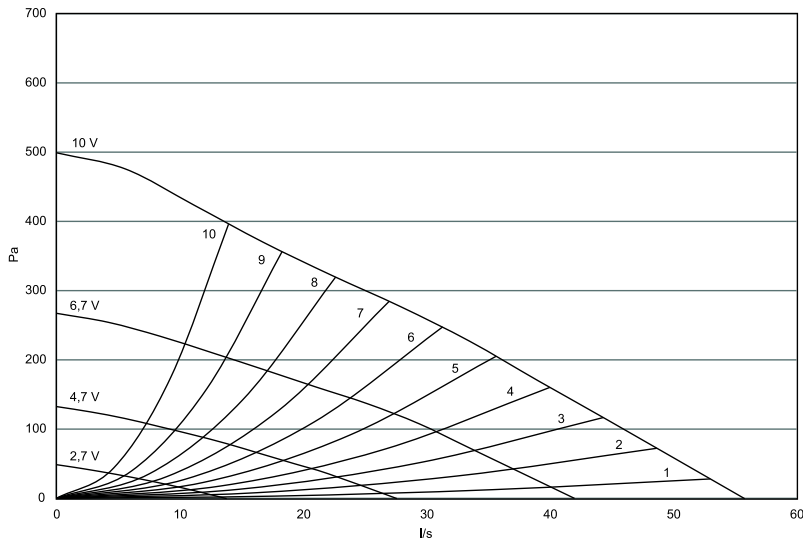


Fig. 6 Supply air system curves, F7 type filter

7.3.2 Supply air, G3 type filter

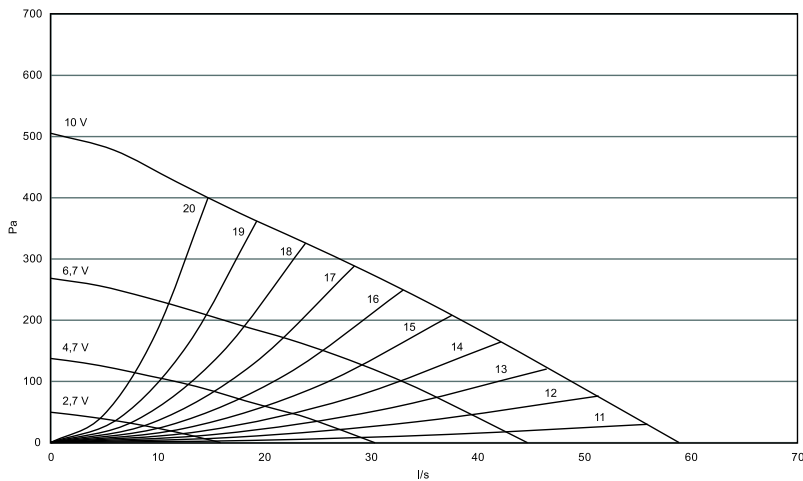


Fig. 7 Supply air system curves, G3 type filter

7.3.3 Extract air, G3 type filter

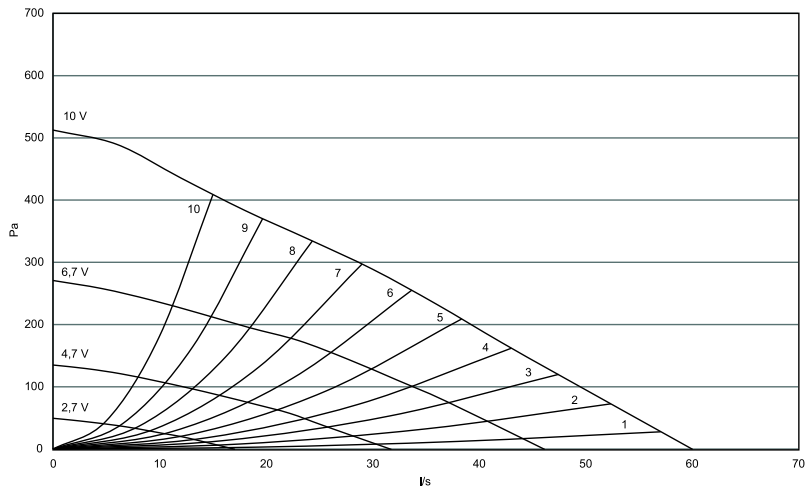


Fig. 8 Extract air system curves, G3 type filter

7.4 Airflow settings

The airflow can be set by either l/s, m³/h or a percentage.

- If **Airflow System curve** is chosen, the settings will be in l/s, m³/h and system curves are selected.
- If **Airflow %** is chosen, the settings will be in percentage. System curves are not selectable.

The airflow may be adjusted in five steps; off, low, nominal, high and auto. These settings control the output signals to the supply- and extract fans. The factory setting on each speed steps are:

- Off
- Low: 22 l/s or 25 %.
- Nom: 35 l/s or 50 % (at approximately 80 Pa).
- High: 44 l/s or 100 %.
- Auto: In Auto mode the fans regulates in accordance with the pre-settings for the demand control.

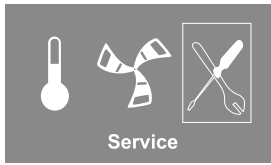
These levels are possible to change in the service level. See service menu overview (chapter 9.5) under functions.

Warning

It is **not** recommended to activate manual fan stop (set fan to OFF) in standard households. If manual fan stop is activated, the unit should be provided with dampers in exhaust and fresh air ducts to avoid cold draught and risk of condensation when the unit has been stopped.

The fan can be set to OFF by activating manual fan stop. See service menu overview (chapter 9.5) under functions.

7.4.1 Setting the airflow

1. Go to the service menu by using the SELECTION knob													
2. Enter the service level by typing the password, default 1111. Use the SELECTION knob for each digit and confirm with the ENTER button after each set digit and choose "NO" for the system not be locked.	Password Password XXXX Locked YES/NO												
3. Go to: Functions Choose: Fan control	Functions -> Fan control												
4. Turn the SELECTION knob to select the type of fan control you prefer, System curve (l/s) or percentage (%) and press ENTER. Fan control by Airflow %, see step 7.	Fan control System curve %												
5. Fan control by Airflow l/s. When settings are done, press ENTER. Choose System curve.	Fan control Airflow System curve SF: 3 EF: 3												
6. Press RETURN once the system curves has been set and go to Airflow l/s or m ³ /h. When settings are done, press ENTER.	<table border="1"> <thead> <tr> <th>Airflow l/s</th> <th>EF</th> <th>SF</th> </tr> </thead> <tbody> <tr> <td>Nom</td> <td>35</td> <td>35</td> </tr> <tr> <td>High</td> <td>44</td> <td>44</td> </tr> <tr> <td>Low</td> <td>22</td> <td>22</td> </tr> </tbody> </table>	Airflow l/s	EF	SF	Nom	35	35	High	44	44	Low	22	22
Airflow l/s	EF	SF											
Nom	35	35											
High	44	44											
Low	22	22											

7. Fan control by Airflow % When settings are done, press ENTER.	Airflow %	EF	SF
	Nom	50	50
	High	100	100
	Low	25	25

7.5 Defrost level settings

Defrost level settings are active and adjustable if heat exchanger controller type is set to On/Off in service menu.

The unit is equipped with an automatic defrost function that is activated when there is risk of icing in the area around the heat exchanger. The setting shown in table 1 determines how aggressive the defrosting will be. Default factory defrost mode setting is 0.

Note:


The heat exchanger should withstand low outdoor temperatures, but in those cases where icing can occur please be aware of that the defrost setting will generate an under pressure in the building. Using a fire place, be aware that there is a possible risk of smoke being extracted into the living areas due to under pressure if defrosting is activated.

Table 1: Defrost levels

Defrost level	Level of humidity	Relative humidity indoors ¹	Description
0		<20%	Defrosting is turned off. Areas where relative humidity is very low. Note: This setting is not valid for units equipped with counter flow heat exchangers when RH sensor is set not to be used for defrosting.
1	Min	20% - 29%	Dry areas, such as warehouse buildings with few people or industrial buildings that don't use water in their production process.
2	Low	30% - 40%	Office buildings
3	Medium	41% - 60%	Apartments or houses with normal humidity ²
4	High	61% - 80%	Apartments or houses with high humidity
5	Extremely high	>80%	Buildings with very high humidity level.


1. Approximate values of relative humidity in the extract air at cold outdoor temperatures.
2. In newly constructed houses it might be necessary with a higher defrost level during the first winter period.

7.5.1 Setting the defrost level

<p>1. Go to the service menu by using the SELECTION knob.</p>	
<p>2. Enter the service level by typing the password, default 1111. Use the SELECTION knob for each digit and confirm with the ENTER button after each set digit and choose "NO" for the system not be locked.</p>	<p>Password Password XXXX Locked YES/NO</p>
<p>3. Go to: Functions Choose: Defrosting</p>	<p>Functions Defrosting</p>
<p>4. Set the mode</p>	<p>Defrosting Mode 0-5</p>
<p>Note: This setting is only valid for units equipped with counter flow heat exchangers.</p> <hr/> <p>5. Select if unbalanced airflows are allowed in the building during the defrost cycle. Choose between YES and NO. Default is YES.</p>	<p>Allow unbalance YES/NO</p>

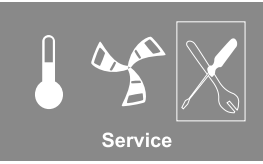
7.6 Programming the Week schedule

Set the week schedule according to below procedure:

<p>1. Go to the service menu by using the SELECTION knob.</p>	 <p>Service</p>
<p>2. Enter the service level by typing the password, default 1111. Use the SELECTION knob for each digit and confirm with the ENTER button after each set digit and choose "NO" for the system not be locked.</p>	<p>Password Password XXXX Locked YES/NO</p>
<p>3. Go to: Week program</p>	<p>Service Week program</p>
<p>4. Choose Week program again.</p>	<p>Week program Airflow</p>
<p>5. Set week day and time you want the unit to be in ON level. Two periods per day can be programmed. The rest of the time the unit will be in OFF level.</p>	<p>Week program Day: MON Per 1: 07:00 16:00 Per 2: 00:00 00:00</p>
<p>6. Go back to the previous dialogue frame with the RETURN button and go down to Airflow.</p>	<p>Week program Airflow</p>
<p>7. Set which airflow the fan is supposed to be running in the ON level, choose between Low, Nom, High or Auto.</p> <p>Set which airflow the fan is supposed to be running in the OFF level, choose between OFF, Low, Nom or High.</p> <hr/> <p>Note:</p> <p>If an electrical re-heater battery is installed and active and the unit is shut down from the control panel, for example by choosing OFF. When the unit is in OFF level in the week program, the fans will continue to run for 3 minutes, to prevent the heater from triggering the over heat protection sensor, before they stop.</p> <hr/>	<p>Airflow On level: low/nom/high/auto Off level: off/low/nom/high</p>
<p>8. Step back with the RETURN button until you reach the main menu display</p>	

7.7 Ext/Force run

It is possible to program extended time you want the unit to work under operation conditions other than determined by the week schedule.

<p>1. Go to the service menu by using the SELECTION knob.</p>	 <p style="text-align: center;">Service</p>
<p>2. Enter the service level by typing the password, default 1111. Use the SELECTION knob for each digit and confirm with the ENTER button after each set digit and choose "NO" for the system not be locked.</p>	<p>Password Password XXXX Locked YES/NO</p>
<p>3. Go to: Ext/Force Run</p>	<p>Service Ext/Force Run</p>
<p>4. Set the time in minutes the unit is to run in extended/forced running mode. Value range: 0–240 minutes, in steps of 10 min.</p> <p>Set the airflow for this mode. Choose between Low, Nom or High. Default value: Nom.</p>	<p>Ext/Force Run</p> <p>Minutes: 0</p> <p>Airflow: Nominal</p>

7.8 Extra functions

The unit is equipped with a number of extra on/off functions which can be activated from external on/off switches that can be connected to the digital inputs on the main print card (see wiring diagram).

The following possibilities are available:

- **Digital inputs 1–3:** Are free to be used for any purpose, they also have a different priority, DI 1 being the highest and DI 3 the lowest. DI 1–3 have a higher priority than DI 5. By connecting on/off switches to these inputs it's possible to choose 4 (Off/Low/Normal/High) individual airflow settings in the control panel depending on a temporary need for the building (for example lowering the extract air airflow when an open fire place is used). See chapter 9.5.

DI 3 is prepared and already connected internally for easy access on the unit. See chapter 7.10.

In units with a built-in bypass for cooker hood connection, DI 3 can be used to control external cooker hood. It has to be configured as SF=High and EF=High.

- **Digital input 4:** Makes it possible to disable the electrical/other re-heater
 Activated input means that the electrical/other re-heater is disabled.
- **Digital input 5:** Activate the Extended/forced running function with a impulse switch. The function overrides current airflow settings and runs in forced mode according to the settings in *Service* -> *Ext/Force run*. Choose between Low, Nom and High for this function.
 The input is calculated based on the signals from an impulse-switch. If a standard switch is used, the countdown of the set time starts when the switch is switched off.
- **Digital input 6:** Control for the exchanger, used by the system
- **Digital input 7:** Home/leave, switching on this activates low energy support control. The heat exchanger is always operating according to the setpoint value. Is there a re-heater activated it will operate according to the lowest setpoint value (12 °C). The function is used when the building is uninhabited for a longer period.

It is recommended to connect either of DI1, DI2 or DI3 in parallel with DI7. If DI7 is activated, set the fans speed to min. Airflow settings are done when configuring DI1, DI2 or DI3.

See menu options in "Service menu Overview" (chapter 9.5).

7.9 Electrical connections

The SAVE VSR 150/B is wired internally from factory.
The print card is easily accessed and can be removed if required.

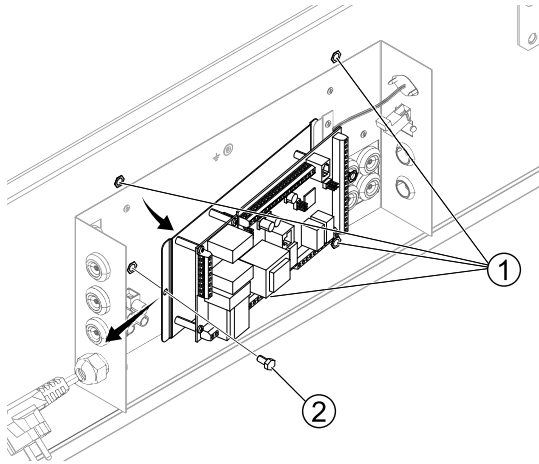


Fig. 9 Print card

1. Remove the 4 screws (1) holding the connection box lid.
2. To remove the print card, loosen and remove the screw (2) holding the print card.
3. Flip the print card outwards.

7.9.1 Print card layout

The SAVE VSR 150/B is equipped with built-in regulation and internal wiring.
The figure shows the print card. See wiring diagram for more information.

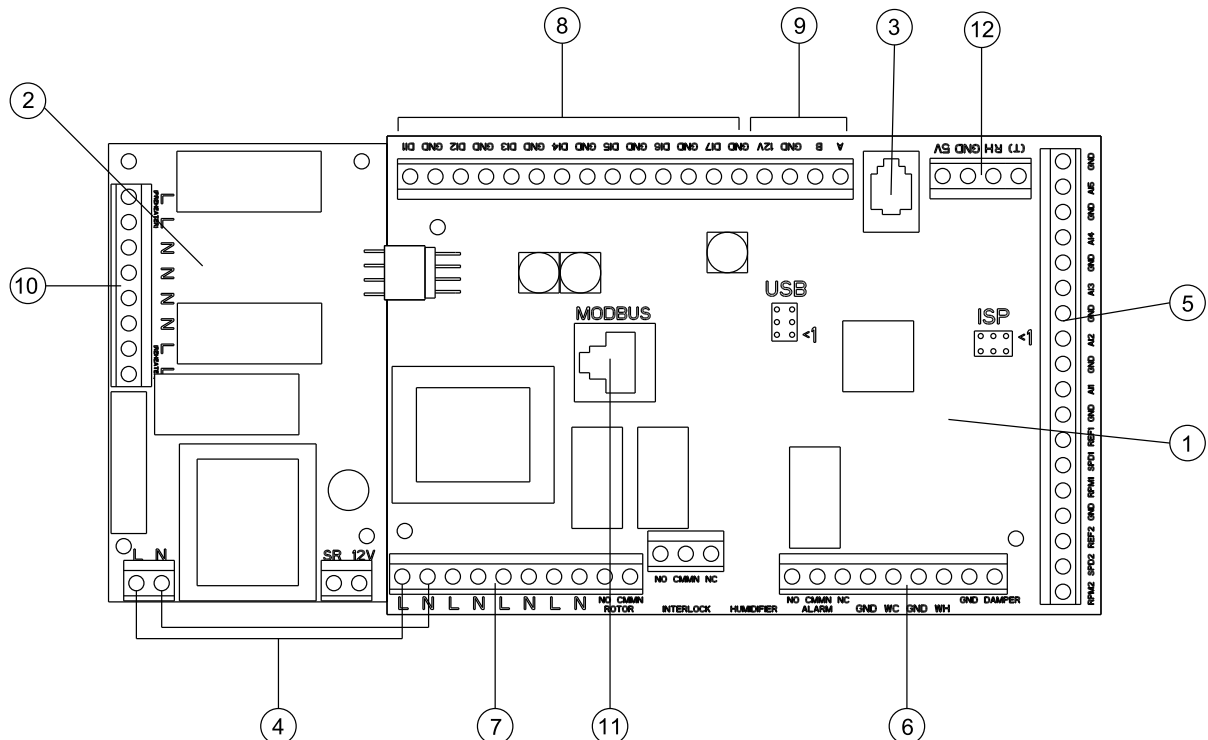


Fig. 10 Print card

Position	Description
1	Main print card
2	Print card for electrical heater
3	Connection to external control panel (connected to unit casing)
4	Mains supply connection between main print card and electrical heater print card
5	Terminals for AI 1–5 (temp sensors) and motor control
6	Terminals for external connections
7	Terminals for mains supply connections
8	Terminals for digital inputs (DI 1–7)
9	Terminals for internal control panel.
10	Terminals for regulated power supply to electrical heater
11	Modbus connection. See "User manual Modbus" for details.
12	Terminals for internal relative humidity sensor

7.9.2 External connections on the print card

Connection terminals for external equipment can be found on the main print card inside the electrical connection box.

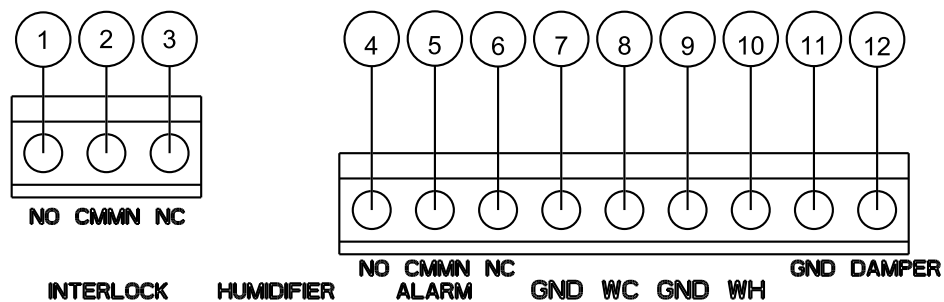


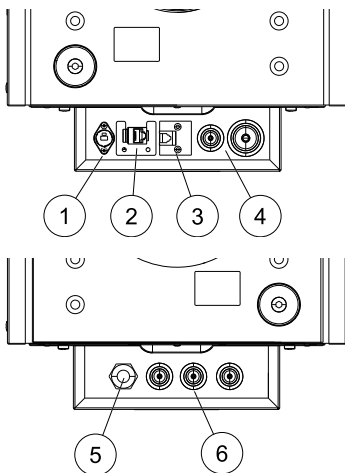
Fig. 11 External connections on the print card

Position	Description	Remark
1	Outdoor/exhaust air damper	Normally open, 230 V 1~, max 0,1 A / 24 VAC 1 A
2	Outdoor/exhaust air damper	Reference
3	Outdoor/exhaust air damper	Normally closed, 230 V 1~, max 0,1 A / 24 VAC 1 A
4	Sum alarm	Normally open, 24 V, max 1 A
5	Sum alarm	Reference
6	Sum alarm	Normally closed, 24 V, max 1 A
7	GND	Reference
8	Water cooler control signal (AO2)	0–10 V DC
9	GND	Reference
10	Water heater control signal (AO1)	0–10 V DC
11	GND	Reference
12	Bypass damper/Rotor control (AO3)	If used, 0–10 V DC

7.10 External connections on the unit

Two of the connections on the main print card are wired to plugs on the electrical connection box:

- connection to an external control panel through a modular connector.
Maximum cable length: 50 m.
Cable type: Flat 4–conductor CEC Phone cable, or equivalent.
- External Modbus connector.
Maximum cable length: 90m in cable duct + 10 m in working area.
Cable type: LAN TCP Cat5E 4x2XAWG24 cable.
- connection to DI 3 with possibility to configure the airflow individually through a potential free on/off switch
Default settings: SF=High, EF=Low.



1. Connection to DI 3 through a potential free on/off switch
2. External Modbus connection
3. Connection to control panel
4. Cable glands
5. 230V cable
6. Cable glands

8 Before starting the system

When the installation is finished, check that:

- The unit is installed in accordance with the instructions
- The unit is correctly wired
- Outdoor and exhaust air dampers and silencers are installed and that the duct system is correctly connected to the unit
- All ducts are sufficiently insulated and installed according to local rules and regulations
- Outdoor air intake is positioned with sufficient distance to pollution sources (kitchen ventilator exhaust, central vacuum system exhaust or similar)
- All external equipment are connected
- The unit is correctly configured and commissioned
- The week schedule and airflow settings are correctly programmed.

9 Operation

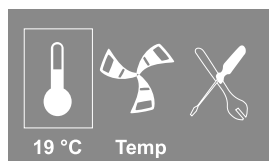
9.1 Setting the temperature

The supply air temperature is set manually in steps of 1 K in the main menu display by choosing the temperature symbol.

If an electrical re-heater is installed the temperature setpoints are: 12-22 °C. For installed water re-heater the setpoints are: 12-40 °C.

If the re-heater is deactivated, the temperature steps are: 15-19 °C. Default value: 15.0 °C.

Each temperature step is illustrated by increasing the filling of the temperature symbol and the temperature is shown in the display

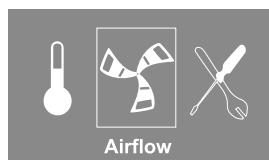


An unfilled temperature symbol will activate manual summer mode. See chapter 9.3

9.2 Manual setting of airflow

It is possible, at any time, to manually set the airflow in the main menu display. By choosing the fan symbol and confirming, it is possible to increase or decrease the airflow in 5 steps: Off, Low, Nom, High and Auto.

By doing so, you override the programmed week schedule for the unit until the end of the present time period in the week program (chapter 7.6).



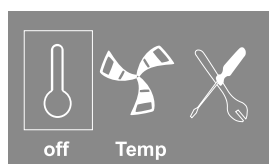
Warning

It is **not** recommended to activate manual fan stop (set fan to OFF) in standard households. If manual fan stop is activated, the unit should be provided with dampers in exhaust and fresh air ducts to avoid cold draught and risk of condensation when the unit has been stopped.

The fan can be set to OFF by activating manual fan stop. See the Installation and Service manual, chapter Service menu overview: *Manual fan stop*.

9.3 Manual and automatic summer mode

Manual summer mode occurs if no temperature step is selected. The temperature symbol on the main menu is then completely empty.



If the electrical re-heater is activated, it will switch off during manual summer mode. Manual summer mode goes automatically to step 1 (setpoint 12 °C) after two minutes if the supply air temperature is +5 °C or below.

If a water heater battery is installed and activated, the manual summer mode goes automatically to step 1 (setpoint 12 °C) if the outdoor air or supply air temperature is +5 °C or below.

The unit will automatically alternate between winter operation with heat recovery and summer operation without heat recovery.

9.4 Cool recovery

If the outdoor air is warmer than the extract air and the supply air is above the setpoint, cool recovery occurs. This condition blocks the heat regulation process.

9.5 Service menu overview

Enter the service menu by selecting the service symbol in the display.

Menu Level 1	Menu Level 2	Menu Level 3	Explanation
Service Password	Password Password XXXX Locked YES/NO		Enter the service level by typing 1111. Use the SELECTION knob for each digit and confirm with the ENTER button after each set digit. NO will unlock the system and allow parameter changes.
Service Change Password	Change password Actual XXXX New XXXX Confirm XXXX		Set new password if necessary. In case the new password would be forgotten or misplaced, it's still possible to enter the service level by writing 8642. This overrides the earlier set password.
Service Filter period	Filter period Time to replace: 12month Reset NO/YES		Shows selected time interval between filter change. Set Reset of the filter period to YES after completed filter change. Set time between filter changes.
Service Time/Date	Time/Date YY/MM/DD Date: 12/09/12 Time: 10:00 Weekday: Sat		Shows current set date and time. Set Correct date and time.

Menu Level 1	Menu Level 2	Menu Level 3	Explanation
Service Summer/Winter	Summer/Winter Auto time change? YES/NO		Use this dialog frame to configure automatic summertime/wintertime change-over. Time will automatically change between summertime and wintertime according to European standard, based on Greenwich time zone. Default value YES. Set YES or NO
Service Ext/Force Run	Ext/Force Run Minutes: 0 Airflow: Nominal		Use this dialogue frame to program extended time you want the unit to work under operation conditions other than determined by the week schedule. Shows set time for extended/forced running. Shows Set airflow. Set the time that the unit is to run in extended/forced mode. Value range: 0–240 minutes. Set the airflow for this mode. Choose between Low, Nom or High. Default value: Nom.
Service Week program	Week program Week program	Week program Day: MON Per 1: 07:00 16:00 Per 2: 00:00 00:00	Program how you want the unit to operate according to the week schedule. It's possible to set 2 periods per day. Set week day and time interval for the time you want the unit to be in ON mode.
	Week program Airflow	Airflow On level: low/nom/high/auto Off level: off/low/nom/high	Use this dialogue frame to determine the ON and OFF function for the fans in the week schedule. Set ON level. Choose between Low, Nom, High or Auto. Default value: Nom Set OFF level. Choose between OFF, Low, Nom or High. Default value: Low.

Menu Level 1	Menu Level 2	Menu Level 3	Explanation
Service Airflow log	Airflow log Level: 1-5 Reset: NO/YES SF: 140 /140 EF: 140 /140		<p>Use this dialogue frame to see how the fans have operated during the time (h) they have been active.</p> <p>The airflow are shown in 5 different levels:</p> <ul style="list-style-type: none"> • Level 1: 0% • Level 2: 1 – 29% • Level 3: 30 – 44% • Level 4: 45 – 59% • Level 5: 60 – 100% <p>Choose between the levels to see the time in hours the fans have been active in the different levels.</p> <p>Reset Yes resets the SF and EF time in the left column for all levels. The right column continues to count ahead and can not be reset.</p> <hr/> <p>Note:</p> <p>Factory reset (see Functions ->Factory reset) will not affect this function</p> <hr/>
Service Functions	Functions Heater/Cooler	Heater/Cooler Preheater: YES/NO Reheater: None/Electrical/Wa- ter/Other Cooler: None/Water	<p>Use this dialogue frame to set up the unit for heating and/or cooling.</p> <p>Set YES to activate preheater. Default setting is NO.</p> <hr/> <p>Note:</p> <p>If preheater is activated and heat exchanger control is set to "On/Off", it is highly recommended to choose defrost level 0 to avoid conflicts with defrosting functions.</p> <hr/> <p>Set Re-heater to None, Electrical, Water or Other.</p>

Menu Level 1	Menu Level 2	Menu Level 3	Explanation
			<hr/> Note: If reheater is set to Other, external heater is only controlled by AO1 (0–10V). Overheat or frost protection is not available. <hr/> Set Cooler to None or Water.
	Functions Temp. Control	Temp. control P-band: 5°C I-time: OFF Output: 0–100%	Use this dialog frame to adjust the settings of supply air temperature controller. Set the proportional band (P-band) range for PI controller. Default value 5°C. Set integral time (I-time) range for PI controller. Default value Off. Shows output signal presented for the supply air temperature controller.
	Functions Exchanger Control	Exchanger control On/Off / Variable	Use this dialog frame to select heat exchanger controller type. Set On/Off to active temperature control and defrosting based on defrost levels 0–5. Set Variable to activate temperature control and moisture transfer control (if available).
	Functions Preheater	Pre-Heater Preheater Sp: -30 – 0°C) P-band: 5°C I-time: OFF Output: Auto (xx%) / Man (Off/On)	Use this dialog frame to configure pre-heater function. Configure the setpoint setting. Default value is dependant on system type. In counter flow units setpoint is not adjustable. Set the proportional band (P-band) range for PI controller. Default value 5°C. Set integral time (I-time) range for PI controller. Default value Off. Set output to Auto or Man. Default setting is Auto. Actual controller output signal is presented in auto mode. Selecting Man, enables the user to manually control

Menu Level 1	Menu Level 2	Menu Level 3	Explanation
			output of the preheater (On/Off).
	Functions Frost protection	Frost protection Alarm limit: 7°C	Shows current set frost protection alarm limit in °C for the installed water coil. Set Alarm limit in °C. Default value: 7°C.
	Functions System curve	System curve EF: 1-10 SF: 1-20	This function is to compensate the flow values for different system pressures. See chapter 7.3
	Functions Fan control	Fan control Airflow System curve %	Select the type of fan control you prefer. Fan control by l/s, m ³ /h or %
	Fan control Airflow	Airflow EF SF l/s Nom 35 35 High 44 44 Low 22 22	Use this dialogue frame to set the airflow in l/s. The airflow can be set individually for each fan EF : Extract fan, SF : Supply fan Set the airflow for EF and SF for each step (Low, Nom, and High). System curve shall only be available in case a system with that type of fan control is used.
	Fan control Airflow unit	Airflow unit l/s / m ³ /h / %	Default value: l/s
	Demand control	Demand control CO ₂ / RH Setpoint 0 ppm/0% RH P-Band 100 ppm/10%RH I-Time OFF	It is possible control the indoor air quality using RH (Relative humidity) or CO ₂ (Carbon dioxide) sensor/sensors. Default setpoint setting is Off. (0%/0ppm). Both types should be able to use at the same time, meaning 2 PI controllers. When demand control setpoint is configured, fans set to auto mode and regulate against the setpoint. The fan symbol should have the middle area empty, and the outer and inner filled. It should not be possible to change either.

Menu Level 1	Menu Level 2	Menu Level 3	Explanation												
	Fan control Airflow	<table border="1"> <thead> <tr> <th>Airflow %</th> <th>EF</th> <th>SF</th> </tr> </thead> <tbody> <tr> <td>Nom</td> <td>50</td> <td>50</td> </tr> <tr> <td>High</td> <td>100</td> <td>100</td> </tr> <tr> <td>Low</td> <td>25</td> <td>25</td> </tr> </tbody> </table>	Airflow %	EF	SF	Nom	50	50	High	100	100	Low	25	25	Use this dialogue frame to set the airflow in %. The airflow can be set individually for each fan EF: Extract fan, SF: Supply fan Set the airflow for EF and SF for each step (Low, Nom, and High).
Airflow %	EF	SF													
Nom	50	50													
High	100	100													
Low	25	25													
	Functions Manual fan stop	Manual fan stop Allow manual fan stop Y/N	Set if it should be possible to turn off the fans in the unit manually from the control panel. Chose between Y and N . If Y is selected the fans can be turned off by turning the SELECTION knob to empty fan												
	Functions Analog input	Analog input 1: SS 20.0 2: ETS 23.0 3: Unused/PHS 4: Unused/OT/FPS 20.0 5: OS 10.5 6: RH 0%	Shows analogue inputs from active temperature sensors. SS: Supply air temp sensor. ETS: Extract air temp sensor. PHS: Preheater sensor. FPS: Frost protection sensor. OS: Outdoor air temp sensor. OT: Overheat protection sensor. RH: Relative humidity sensor.												
	Functions Analog output	Analog output A01 auto/man/off A02 auto/man/off A03 auto/man/off	Shows current analogue outputs in 0–10 V to hot/cold water actuator or electrical re-heater and rotor drive / bypass damper. Set AO1 (Analogue output to hot water actuator or electrical re-heater) to auto, man or off. Default value: auto. Set AO2 (Analogue output to cold water actuator) to auto, man or off. Default value: auto. Set AO3 (Analogue output to rotor drive or bypass damper) to auto or man. Default is auto. Selecting man enables the user to manually control the actuator/damper with a 0–10 V signal. 0 V completely closed and 10 V completely												

Menu Level 1	Menu Level 2	Menu Level 3	Explanation
			opened actuator/bypass damper.
	Functions Digital input	Digital input DI1 ON/OFF DI2 ON/OFF DI3 ON/OFF DI4 ON/OFF DI5 ON/OFF DI6 ON/OFF DI7 ON/OFF	Shows current status of the digital inputs ON or OFF DI1: Fan configuration DI2: Fan configuration DI3: Fan configuration DI4: Heater deactivated DI5: Extended/forced running DI6 for rotating heat exchanger: Rotor sensor DI6 for counter flow heat exchanger: Bypass damper limit switch DI7: Home/leave
	Functions Config DI 1-3	Config DI1-3 DI:1-3 SF: high EF: high Polarity: N.O/N.C Delay: Off-240s	DI 1-3 are free to use for any purpose and have a different priority, DI1 being the highest. DI 1-3 have a higher priority than DI5. It is possible to invert input function. Set DI 1-3 to be normally open (N.O) or normally closed (N.C). Default setting N.O. It is also possible to set how you want the fans to react to 3 different digital inputs when they are switched on. Potential free switches need to be connected physically to terminals on the main print card to obtain the different functions. See the wiring diagram for more information. Set the supply air fan (SF) and extract air fan (EF) individually to off, low, nom or high for digital inputs 1-3 Set a predefined off delay for the input signal. System will be in the ON state for predefined period or as long as DI is activated and period is set to 0. Counting down for the predefined period starts when DI function is deactivated. Default value is 0 sec.

Menu Level 1	Menu Level 2	Menu Level 3	Explanation
	<p>Functions</p> <p>DI 4-7</p>	<p>DI 4-7</p> <p>4 Stop heat 5 Ext run 6 Damper/Rotor 7 Home/Leave</p>	<p>DI 4-7 are default set from factory and can't be changed by the user. Below follows a short description of each function.</p> <p>DI4: Makes it possible to disable the electrical re-heater. Activated input means that the electrical/other re-heater is deactivated.</p> <p>DI5: Activate the Extended/forced running function. The function overrides current set airflow settings and runs according to the settings in <i>Service->Ext/Force run</i>. Choose between Low, Nom and High for this function. The input is calculated based on the signals from an impulse-switch. If a standard switch is used, the countdown of the set time starts when the switch is switched off.</p> <p>DI6 for rotating heat exchanger: Rotor sensor. Used by the system to monitor the rotor rotation.</p> <p>DI6 for counter flow heat exchanger: Bypass damper limit switch. Used by the system to detect the damper position.</p> <p>DI7: Activates low energy support control. Heat exchanger operating by the adjusted setpoint value and a active re-heater has support control for the lowest setpoint. (12 °C)</p> <p>The function is used when the building is uninhabited for a longer period.</p> <p>It is recommended to connect DI7 and DI1 or DI3 in parallel. If DI7 is activated, set the fans speed to min. Airflow settings are done when configuring DI1/DI3.</p>

Menu Level 1	Menu Level 2	Menu Level 3	Explanation
	Functions Digital output	Digital output 1: SF 67% 2: EF 67% 3: Rot ON/OFF 4: ALARM Y/N 5: Dmp Y/N 6: Heater Y/N	Shows The current status of digital outputs 1–6 (the settings in the column to the left are examples). 1: SF 67%: Current set speed of the supply air fan (shown as percentage of the maximum speed). 2: EF 67% Current set speed of the extract air fan (shown as percentage of the maximum speed). 3: Shows if the rotor is active or not. Unused for unit with counter flow heat exchanger. 4: Alarm Y/N: Indicates if the sum. alarm is active or not 5: Dmp OFF: Outdoor/exhaust air damper is on or off. 6: Heater Y/N: Indicates if the electrical re-heater is active or not.
	External sensors	External sensors CO2: 0 ppm – RH: 0% –	Last valid value is presented for the bounded sensors. Highest actual sensor signal presented via –/modbus/wireless. Unbound sensor presented as – (none). Modbus sensors has priority over wireless sensors.
	Functions External DI	External DI Active Wireless: DI1/..DI20 Assign to: –/DI-5/DI7	External DI menu only available if one or several “Input modules” are bound to the system. Active wireless DI1-20 is depended on actual node for “Input module”. Node shown in “Wireless” menu which node representing DI module inputs. Eg. Node 1 type: DI. Active wireless DI1 and DI2 Node 2 type: DI. Active wireless DI3 and DI4 Node 10 type: DI. Active wireless DI19 and DI20 Active wireless DI1-20 are available to assign to DI1-5

Menu Level 1	Menu Level 2	Menu Level 3	Explanation
			<p>and DI7 for the system in the air handling unit.</p> <p>DI6 is not available as selection, used by the system in the air handling unit.</p> <p>Unsigned DI is shown as – (none).</p> <p>To reset a previously assigned DI, select “–” and confirm the selection.</p>
	<p>Functions</p> <p>Wireless</p>	<p>External DI</p> <p>Note: 1 Type: None State: No Network Data: 0</p>	<p>Wireless system status.</p> <p>Node: Shows number of bound wireless module.</p> <p>Type: None/UI: User Interface (Control panel)/DI: Digital Input module/CO2: CO2 sensor module/RH: RH sensor module.</p> <p>State: No Network: No gateway connected to the system for air handling unit/Unbound: No bonded module/OK: Successful binding of module</p> <p>Data: The actual value from module/Comm fail: Communication failure, see manual for actual module for troubleshooting.</p> <p>To reset all bound nodes, see user manual for Gateway Wireless.</p>
	<p>Functions</p> <p>RH transfer Ctrl</p>	<p>RH Transfer Ctrl</p> <p>Setpoint: OFF P-band: 20% I-time: OFF</p>	<p>Use this dialog frame to configure intensity of extract air humidity control which helps to avoid moisture transfer to supply air.</p> <p>RH transfer control is enabled if setpoint is higher than 0.</p> <p>Default setpoint value is Off.</p> <hr/> <p>Note:</p> <p>These settings are only present if heat exchanger controller type is set to Variable.</p> <hr/>

Menu Level 1	Menu Level 2	Menu Level 3	Explanation
	Functions Defrosting	Defrosting Mode 0-5	Use this dialogue frame to set how aggressive you want the defrosting function to operate (see chapter 7.5). <hr/> Note: These settings are only present if heat exchanger controller type is set to On/Off.
	Functions Calibration	Calibration Sensor value: 0% Adjusted value: 0% Confirm: YES/NO	Use this dialogue frame to calibrate internal RH sensor for any deviations if necessary. Shows current input signal value of RH sensor. Set adjusted value for RH sensor. Adjusted value must be confirmed. Set YES to confirm changes.
	Functions Modbus	Modbus Settings Settings Address 1 Baud 19200 Parity None	Information about Modbus communication and variables can be found in the Modbus user manual for residential units in the online catalogue
		Modbus Gateway Gateway State Not present/...	Shows current status of communication.
	Functions Factory reset	Factory reset Really reset? YES/NO	Use this dialogue frame to return to factory settings. Set YES or NO <hr/> Note: This will erase all your personal settings that have been done for the unit.
Service Language	Language Language ENGLISH		Use this dialogue frame to return to select your local language. Set Language by turning the SELECTION knob.

Menu Level 1	Menu Level 2	Menu Level 3	Explanation
Service Versions	Version VSR 150/B CD EC Appl. xxx xxx Boot xxx xxx		Shows current software versions Note: The software versions are just an example and may differ in a specific unit.
Service Firmware	Firmware CD EC Unit xxx xxx Gate- xxx xxx way Update YES /NO		Use this dialogue frame to update firmware. Set YES or NO. Shows current version of the unit and Z-wave Gateway.
Service Alarms	Alarms Fan Frost Bypass Rot Pb Fail Temp Filter Low SS Defrost RH		Shows the alarms that have been triggered. See alarm list (chapter 10.5)

10 Service

10.1 Warnings

Danger

- Make sure that the mains supply to the unit is disconnected before performing any maintenance or electrical work!
- All electrical connections and maintenance work must be carried out by an authorized installer and in accordance with local rules and regulations.

Warning

- The system should operate continuously, and only be stopped for maintenance/service
- Although the mains supply to the unit has been disconnected there is still risk for injury due to rotating parts that have not come to a complete standstill
- Beware of sharp edges during maintenance. Use protective gloves
- Make sure that filters are mounted in their place before running the system
- This product must only be operated by a person which has suitable knowledge or education within this field or carried out with the supervision of a suitably qualified person.

10.2 Internal components

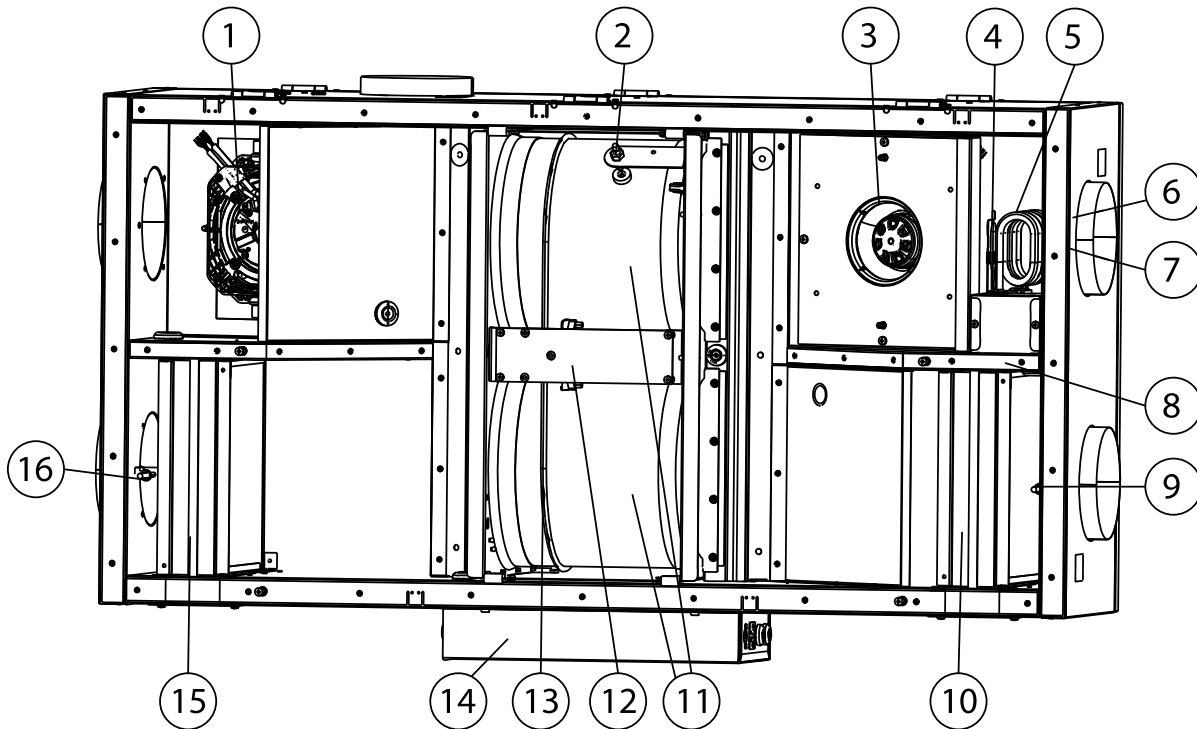


Fig. 12 Internal components

Position	Description
1	Extract air fan
2	Rotor sensor
3	Supply air fan
4	Overheat protection sensor, manual reset
5	Internal electrical re-heater
6	Overheat protection sensor, automatic reset
7	Supply air sensor
8	Overheat protection, manual reset button
9	Extract air sensor
10	Extract air filter
11	Rotating heat exchanger
12	Rotor motor
13	Drive belt for rotating heat exchanger
14	Electrical connection box
15	Supply air filter
16	Outdoor air sensor

10.3 Component descriptions

10.3.1 Fans

The fans have external rotor motors of EC type which can be steplessly controlled individually 20–100%. The motor bearings are life time lubricated and maintenance free. It is possible to remove the fans for cleaning, see “User Manual” for more information.

10.3.2 Filters

The factory installed filters are of filter quality F7 for the supply air and G3 for the extract air filter. The filters need to be replaced when polluted. New sets of filters can be acquired from your installer or wholesaler.

Filter quality G3 can be installed for supply air filtering.
The filter type is labelled on the filter

Note:

If type G3 filters are used instead of F7 , the system curve for Supply Fan (SF) must be changed:
For G3 type filter: 11–20, for F7 type filter: 1–10. See chapter 7.3.

10.3.3 Heat exchanger

SAVE VSR 150/B is equipped with two rotating heat exchangers. Required supply air temperature is therefore normally maintained without adding additional heat.

The heat exchanger is removable for cleaning and maintenance, see “User Manual” for more information.

10.3.4 Print card

The main print card controls the functions and set temperatures of the unit.

It is possible to connect external accessories to terminals on the print card and also communication to BMS (Building Management System) Modbus communication via RS-485. See wiring diagram for more information.

10.3.5 Temperature sensors

Four temperature sensors (NTC, 10 k Ω at 25°C) are included in the unit from factory and positioned in the corresponding air chambers.

The sensors are connected to the main print card. See wiring diagram for more information.

10.3.6 Humidity sensor

Relative humidity sensor (RHS) is included in the unit from factory and positioned in the extract air chamber.

The sensor is connected to the main print card. See wiring diagram for more information.

10.3.7 Electrical Re-heater battery

The re-heater battery is positioned in the supply air chamber.

The re-heater is activated by a relay and switches on if the supply air temperature is lower than the set point and switches off if one or more of the following conditions are met:

1. If the supply air temperature is above the set point.

2. If the over heat protection is activated or the sensor is malfunctioning.
3. If the emergency thermostat is triggered or broken.
4. If the supply air sensor is in error state.
5. If the supply air fan is not running.
6. If the heater is set to disabled in the menu.
7. If re-heater is disabled by digital input 4 (DI 4).

10.3.8 Overheat protection reset button

If the supply air temperature is low, it can indicate that the over heat protection is triggered. The overheat protection can be reset by pressing the reset button (2).

Danger

Make sure that the Mains supply to the unit is disconnected before performing any maintenance or electrical work!

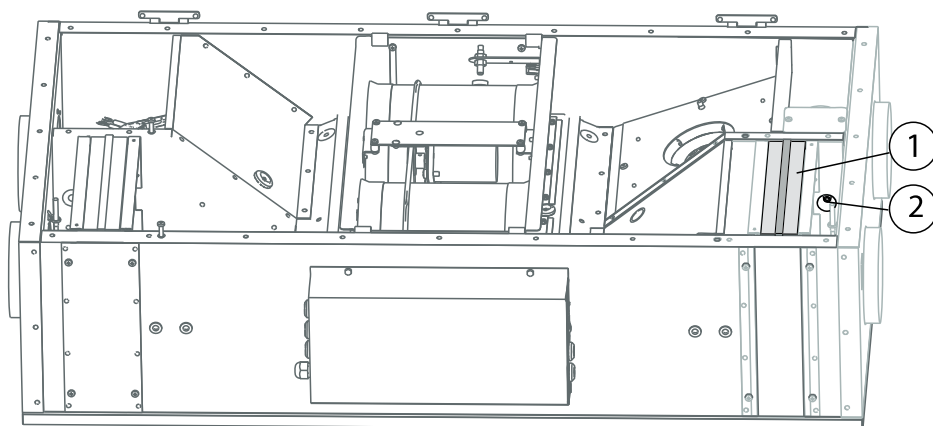


Fig. 13 Overheat protection reset button

To access the reset button:

1. Stop the unit by disconnecting the mains.
2. Open the side cover.
3. Take out the extract air filter (1).
4. Remove the rubber cap that covers the reset button.
5. Use a screwdriver (3 mm), or similar, to push the reset button (2).
6. Insert the rubber cap.
7. Insert the extract air filter.
8. Close and fasten the side cover and connect the unit to mains.

10.3.9 Water Re-heater battery

A water re-heater battery (optional), which can be acquired as an accessory, can be controlled by the analog output WH (0-10 V DC). The water heater uses AI 4 for frost protection (OT, Over heat protection, changes to FPS, Frost protection in the menu).

The frost protection sensor should then be a strap on surface sensor situated on the return water tube. Sensor type: TG-A130

The supply air sensor (SS) at AI 1 must be replaced with a duct sensor which can be acquired as an accessory. Sensor type: TG-K360. See wiring diagram for more information.

Only electrical or water re-heater is allowed, i.e. if a water re-heater is selected, the electrical re-heater is deactivated and vice versa.

Note:

If a water re-heater battery is installed we strongly recommend you to also install an outdoor air damper with a spring return actuator.

10.3.10 Water Cooler

A water cooler (optional) can be acquired as an accessory and be controlled by the unit. If a water cooler is installed the supply air sensor (SS) at AI 1 must be replaced with a duct sensor which can be acquired as an accessory. Sensor type: TG-K360. See wiring diagram for more information.

10.4 Trouble shooting

A warning triangle with text in the display indicates an alarm. Turn menu selector to the warning triangle and press confirm twice to view the alarm.



If problems should occur, please check the items below before calling your service representative.

Malfunction	Action
Fans do not start	<ol style="list-style-type: none"> 1. Check the display for alarms. 2. Check fuse for main power supply in the distribution box for the building and all the quick connectors are connected in the unit (quick connectors for supply and extract air fans). 3. Check that the week program is in ON mode. The week program might be in OFF mode with the airflow set to OFF (chapter 7.6) 4. Check if one of the digital inputs 1–3 (DI 1–3) is active and set to off. This would force one or both fans to stop depending on the setup (chapter 9.5).
Reduced airflow	<ol style="list-style-type: none"> 1. Check the display for alarms. 2. Check setting of airflow in the control panel (chapter 7.1.1). 3. Check week program (chapter 7.6). 4. Check if one of the digital inputs 1–3 (DI 1–3) is active and set to off. This would force one or both fans to stop depending on the setup (chapter 9.5). 5. Check if auto mode is active. Auto mode reduces the airflow if actual value from external sensor/sensors is lower than demand control set-point. 6. Check filters. Change of filters required? 7. Check diffuser/louver openings. Cleaning of diffusers/louvres required? 8. Check fans and heat exchange block. Cleaning required? 9. Check if the buildings air intake and roof unit (exhaust) have been clogged. 10. Check visible duct runs for damage and/or build up of dust/pollution.
The unit cannot be controlled (control functions are stuck)	<ol style="list-style-type: none"> 1. Reset control functions by pulling out the main power supply plug for 10 seconds. 2. Check the modular contact connection between the control panel and the main print card.

<p>Low supply air temperature</p>	<ol style="list-style-type: none"> 1. Check the display for alarms. 2. Check set supply air temperature in the control panel. 3. Check the analogue inputs in the service menu to verify that the temp sensors are ok (chapter 9.5). Go to <code>Functions > Analogue input</code> and verify the temperature readings from the temp sensors. 4. Check that Home/Leave function is disabled DI 7. 5. Check if the over heat protection is triggered: <ul style="list-style-type: none"> • For units with built-in heater: If necessary, reset by pressing the red reset button. • For units with external heater: For reset, see the manual for the external electrical heater. 6. Check if digital input 4 (DI 4) is set to off. This would force the electrical re-heater battery to be switched off (chapter 9.5) 7. Check if the extract filter must be changed. 8. At very cold outdoor conditions an electrical pre heating battery might be necessary. This can be acquired as an accessory. 9. Check the balance between the supply and extract air
<p>Noise/vibrations</p>	<ol style="list-style-type: none"> 1. Clean fan impellers. 2. Check that the screws holding the fans are tightened. 3. Check that the anti vibration pads are fitted at the bottom of the unit.

10.5 Alarm list

Alarm	Explanation	Do the following
Fan	Indicates error on either supply or extract air fan.	<p>The alarm is displayed in the control panel.</p> <p>Check that quick connectors are connected for the both fans.</p> <p>Contact your installation company or place of purchase.</p>
EMT/Fr- ost	Indicates triggered frost protection (in case of installed water heating battery) or triggered overheat protection (in case of installed electric re-heater battery).	<p>A triggered frost protection alarm results in the following:</p> <ul style="list-style-type: none"> • Both fans stop. • Outdoor and exhaust air dampers closed. • Water valve opens completely (10 V signal goes out to the actuator). <p>The unit will restart once the water temperature reaches +5°C above the set frost protection temperature.</p> <p>A triggered over heat protection (EMT) gives an alarm in the control panel.</p> <p>Reset by pushing the reset button. See chapter 10.3.8.</p> <p>If the problem continues contact your installation company or place of purchase.</p>

Alarm	Explanation	Do the following
Rot	Indicates a rotor malfunction.	<p>The alarm is displayed in the control panel.</p> <ul style="list-style-type: none"> • If the rotating heat exchanger has stopped. Check the rotor belt. See chapter 10.6 • If the heat exchanger is still rotating, check that the quick connector for the sensor is connected and that there is an air gap of 5-10mm between the sensor and the magnet. <p>Adjust the gap if necessary.</p> <p>If the alarm persists, the rotor sensor may be faulty.</p> <p>Contact your installation company or place of purchase.</p>
Pb Fail	<p>Error in connection with relay card for the electrical re-heater (if installed and activated).</p> <p>The overheat protection sensor, automatic reset (ET2) may be triggered due to high temperature.</p>	<p>The alarm is displayed in the control panel.</p> <p>The heater will not be activated.</p> <p>For triggered ET2, wait 10–15 min. If the error remains, contact your installation company or place of purchase.</p>
Temp	Malfunction in one or more of the temperature sensors.	<p>The alarm is displayed in the control panel.</p> <p>Contact your installation company or place of purchase.</p>
Filter	Time for filter change.	<p>The alarm is displayed in the control panel.</p> <p>Change filter according to the instructions in the User Manual.</p>
Low SS	Indicates low supply air temperature	<p>The alarm is displayed in the control panel.</p> <p>If water reheater is configured and frost protection have failed, then an extra security function is triggered when supply air temperature is lower than 5 °C and outdoor air temperature is below 0 °C.</p>
RH	Indicates malfunction of internal relative humidity sensor.	<p>The alarm is displayed in the control panel.</p>

10.6 Replacing rotor drive belt

Danger

Make sure that the Mains supply to the unit is disconnected before performing any maintenance or electrical work!

If the alarm `ROTOR` is raised, see chapter 10.5, the rotor drive belt may be damaged or broken.

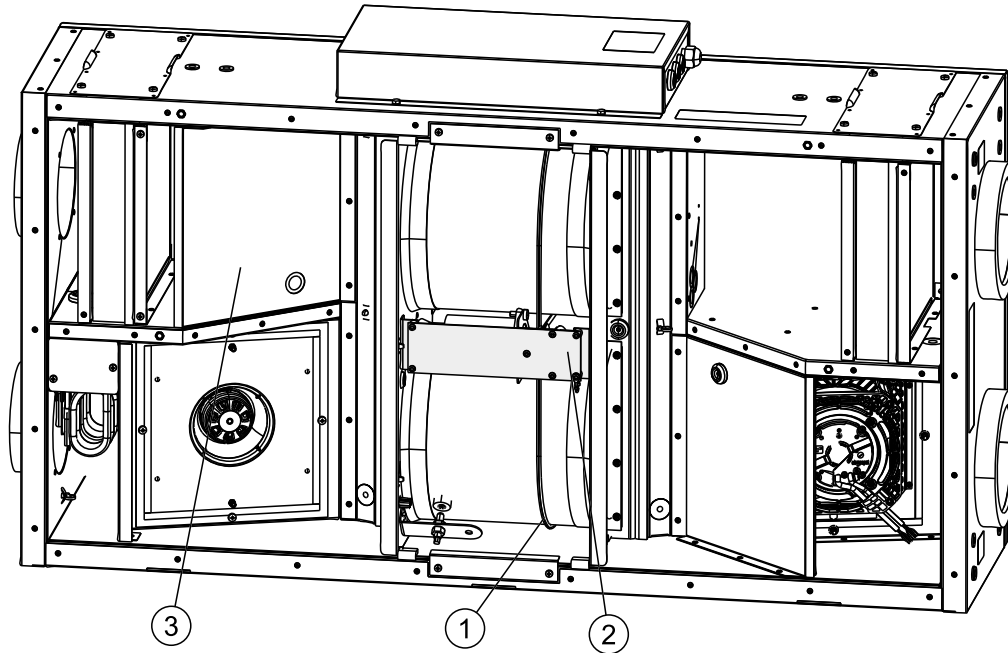


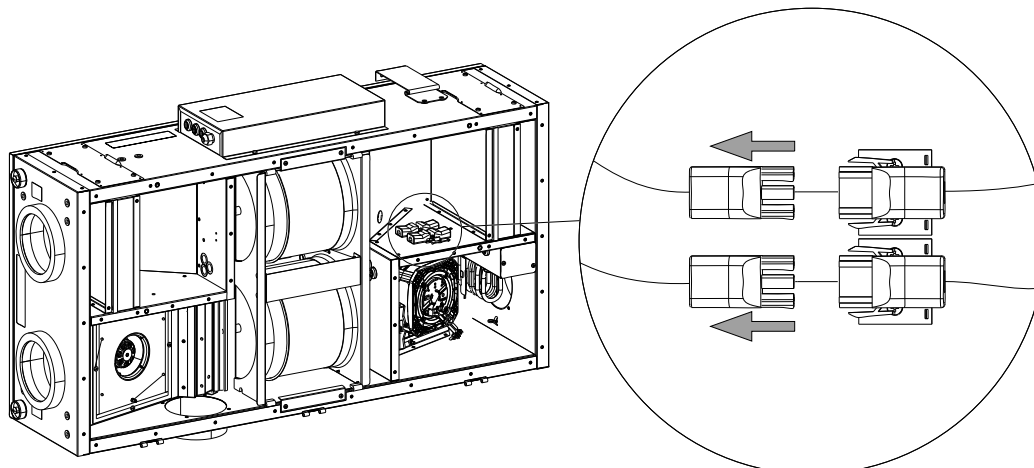
Fig. 14 Rotor drive belt (1), belt pulley (2) and location of heat exchanger cables (3)

SAVE VSR 150/B units are delivered with two welded drive belts (1) — one mounted and one as extra if replacement is required. Spare belt is enclosed in a plastic pocket with manuals.

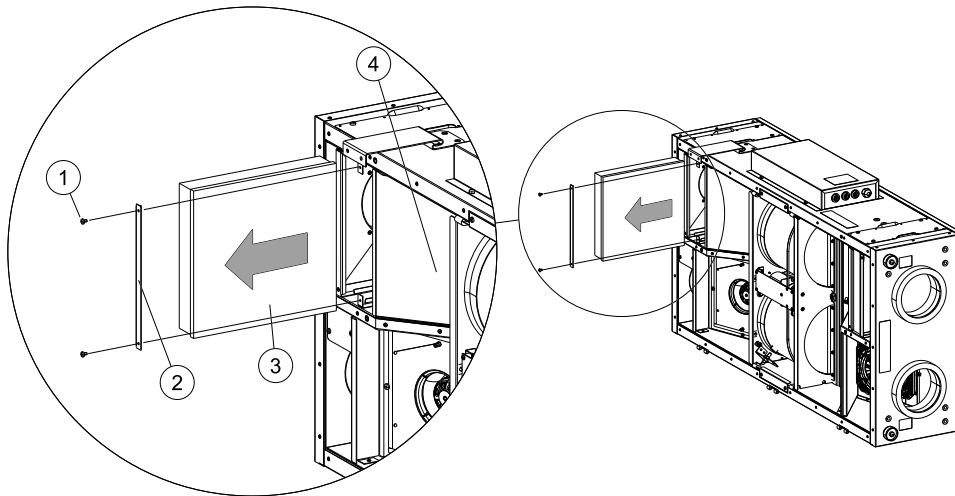
Warning

If the unit is ceiling mounted with side cover facing downwards, the heat exchanger may fall out if not secured. The heat exchanger weighs about 10 kg.

1. Stop the unit by disconnecting the mains.
2. Open the side cover.
3. Disconnect heat exchanger cables in the extract air chamber.



4. If heat exchanger cables are not visible, then they are behind the filter in the extract air chamber (4). Loosen two screws (1) holding the filter bracket. Remove the bracket (2). Pull out the extract air filter (3). Then disconnect the heat exchanger cables.

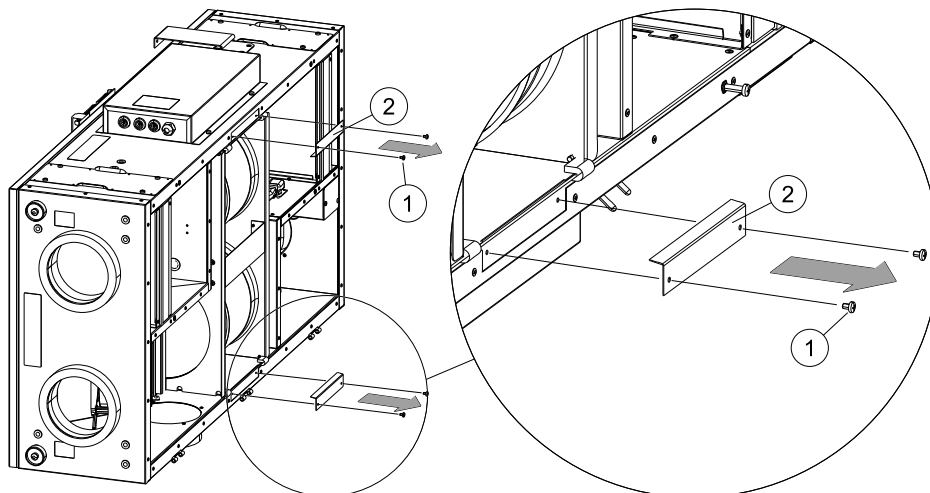


5.

 **Warning**

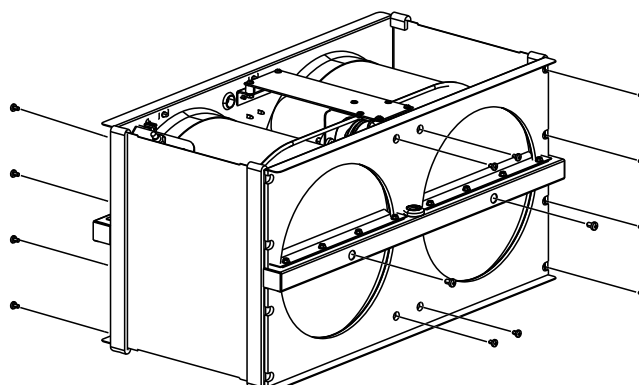
If the unit is mounted with a side cover facing downwards, do not remove the screws in the slots. They will prevent the heat exchanger from falling out accidentally.

Loosen four screws (1) and two brackets (2) holding the heat exchanger.

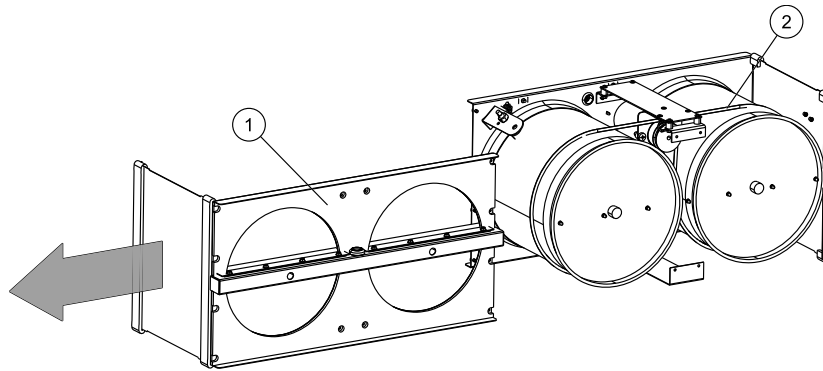


6. Take out the heat exchanger package.

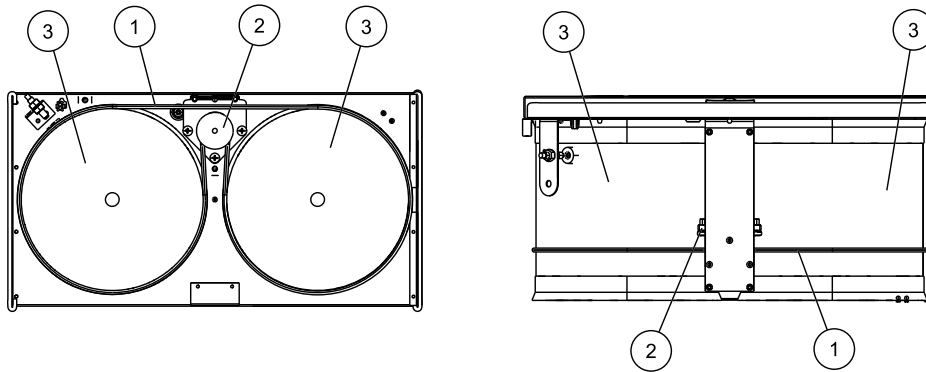
7. Loosen 8 screws at the front and 4 screws at the back and then 2 screws holding heat exchangers in order to remove a side gable.



8. Remove side gable (1). Remove the broken drive belt (2).



9. Place the new drive belt (1) around both heat exchangers (3) and the belt pulley (2). Make sure the new drive belt is aligned or else it can slip off.



10. Remount the side gable and secure it with the screws.

11. Rotate the exchanger by hand. Check that the belt pulley rotates and the belt do not slip.

12. Remount the heat exchanger package and secure it with the screws.

13. Reconnect the heat exchanger cables to the motor and sensor.

14. Insert the extract air filter if it was removed. Remount filter bracket and secure it with screws.

15. Close and fasten the side cover and connect the unit to mains.

16. Check that the alarm has ceased on the Control Display.

Note:

If the alarm remains, check the rotor sensor.

10.6.1 Temporary drive belt repair solution when the belt pulley can be accessed

In case both welded belts break it is possible to use joint nipple as a temporarily quick repair solution until the welded belt can be replaced with a new one. Depending of how the unit is installed, it may be not necessary to remove the heat exchanger package in order to temporary repair a broken drive belt if the belt pulley can be accessed.

1. Stop the unit by disconnecting the mains.

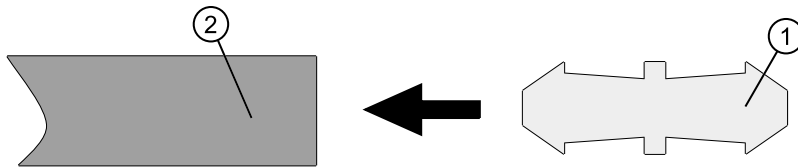
2. Open the side cover.

3. Use tape to attach the drive belt to one of the heat exchangers. Rotate the exchanger by hand to get hold of the drive belt.

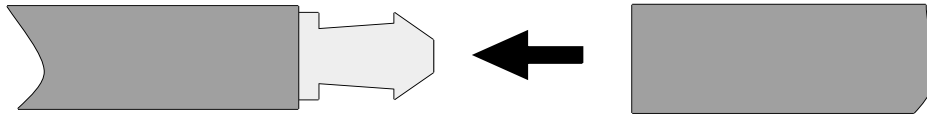
4. Pull the drive belt on to the belt pulley and use tape to attach the drive belt on to the other heat exchanger.

5. Rotate the exchanger by hand to get hold of the drive belt.

6. Remove the tape and put the "empty" end (2) on to the joint nipple (1).



7. Press the ends completely together to secure a tight joint.



8. Pull the drive belt on to the belt pulley and rotate the exchanger by hand. Check that the belt pulley rotates.

9. Close and lock the side cover and connect the unit to mains.

10. Check that the alarm has ceased on the Control Display.

Note:

If the alarm remains, check the rotor sensor.

10.6.2 Temporary drive belt repair solution when the belt pulley cannot be accessed

If the belt pulley cannot be accessed, the heat exchanger package have to be removed in order to temporary repair a broken drive belt.

1. Stop the unit by disconnecting the mains.
2. Open the side cover.
3. Disconnect the heat exchanger cable in the extract air chamber.
- 4.

 **Warning**

If the unit is mounted with a side cover facing downwards, do not remove the screws in the slots. They will prevent the heat exchanger from falling out accidentally.

Loosen four screws and two brackets holding the heat exchanger.

5. Take out the heat exchanger package.
6. Thread the new drive belt around both heat exchangers and the belt pulley.
7. Put the "empty" end of the drive belt on to the nipple
8. Press the ends completely together to secure a tight joint.
9. Rotate the exchanger by hand. Check that the belt pulley rotates.
10. Remount the heat exchanger package and secure it with the screws.
11. Reconnect the heat exchanger cables to the motor and sensor.
12. Close and fasten the side cover and connect the unit to mains.
13. Check that the alarm has ceased on the Control Display.

Note:

If the alarm remains, check the rotor sensor.

Systemair Sverige AB reserves the right to make changes and improvements to the contents of this manual without prior notice.



Systemair UAB
Linių st. 101
LT-20174 Ukmergė, LITHUANIA
Phone +370 340 60165
Fax +370 340 60166