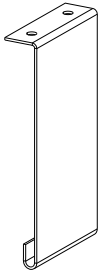
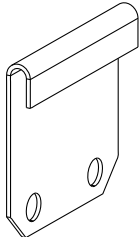


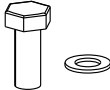
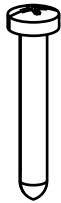


Parts

Ceiling mounting bracket (4 pcs)	Mount bracket (4 pcs)	Hinge lock (4 pcs)	M5x30mm bolt and nut for hinge lock (4 pcs)	M8x20mm bolt with washer (8 pcs)	4,2x50mm screw (8 pcs)
					

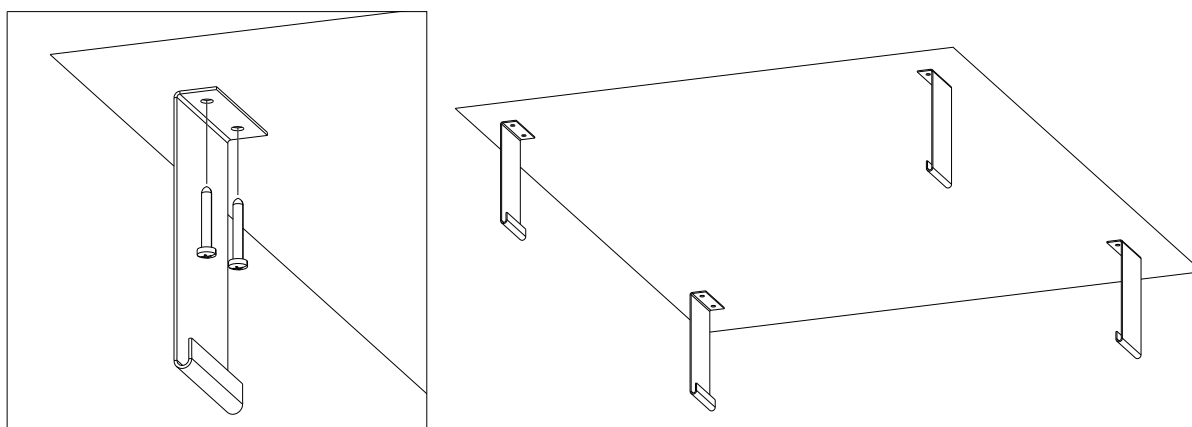
Installation

Warning

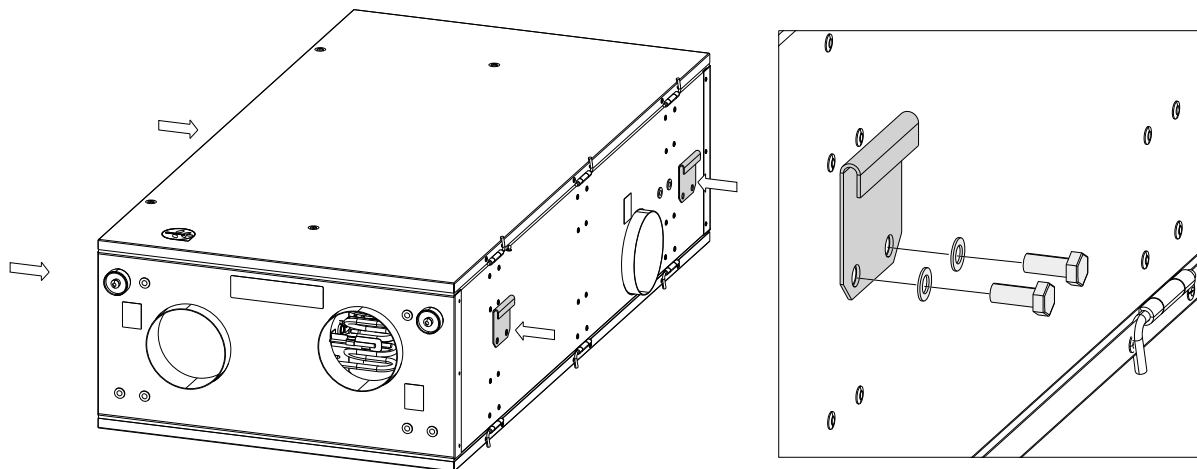
- Beware of sharp edges during mounting and maintenance. Use protective gloves.
- Consider the unit weight when mounting!

Prepare the surface where the unit should be mounted. Make sure that the ceiling supports the weight of the unit. Perform the installation in accordance with local rules and regulations.

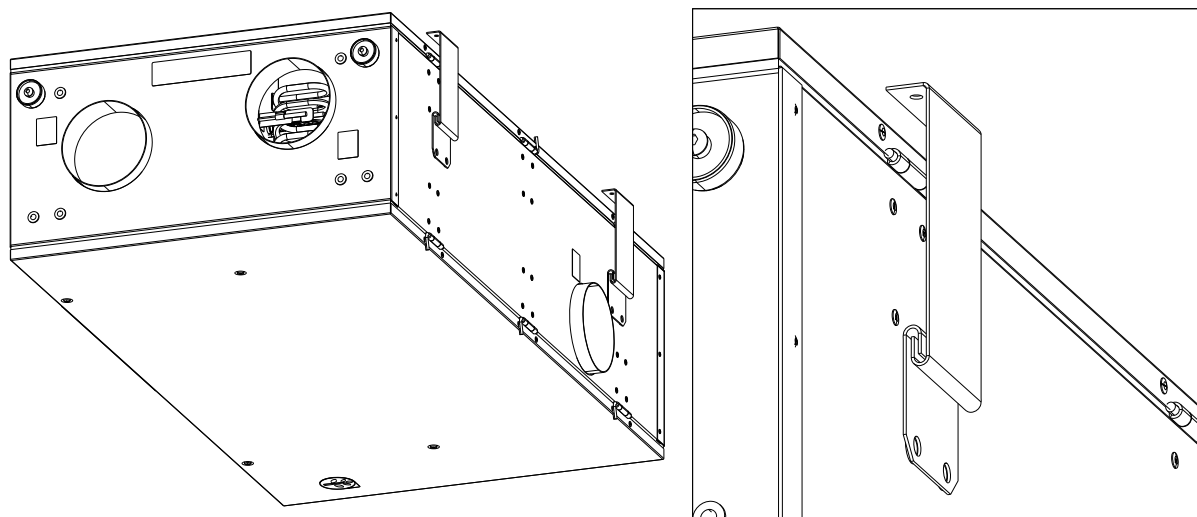
1. Attach 4 ceiling mounting brackets to the ceiling. Use the enclosed 4,2x50mm mounting screws.



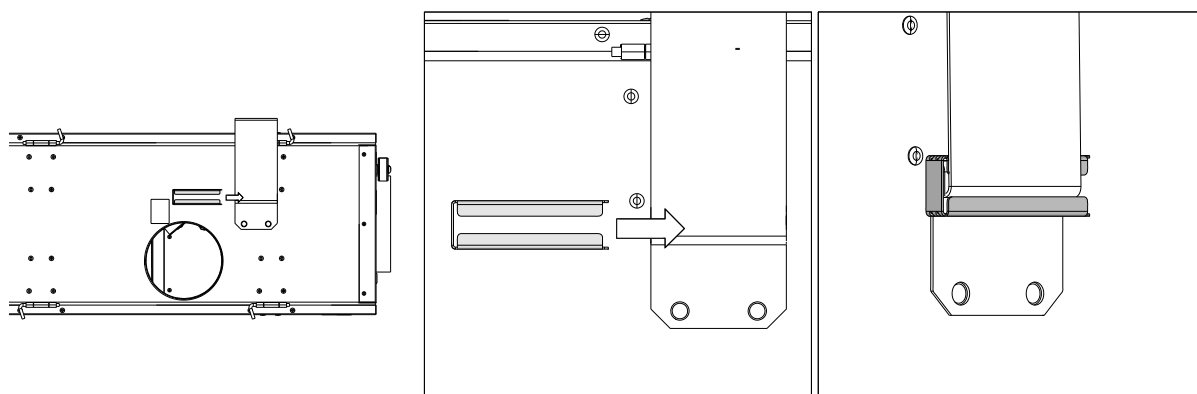
2. Mount 4 brackets on the unit. Use the enclosed M8x20mm mounting bolts with washers.
Mounting position: 2 on each side of the unit.



3. Carefully lift and hang the unit.



4. Place 4 hinge locks on joints of mounting brackets.



5. Secure hinge locks with M5x30mm bolts and nuts.

