



## ZRS

Fans are supplied with 1 m armoured cable and a junction box. Steel cables are provided to give extra support for the fan during chimney sweeping and similar operations.

The flue-gas fans have a casing of cast aluminium alloy. The ZRS 170 impeller is made of silumin alloy, while the ZRS 180 impeller is made of stainless steel.

The ZRS 170 is suitable for smaller fireplaces with an aperture of less than 0.35 m<sup>2</sup>, and the ZRS 180 is intended for fireplaces with an aperture between 0.35 and 0.80 m<sup>2</sup>.

Systemair flue-gas fans counteract drafts caused by stoves, ovens and open fireplaces. Flue-gas fans are positioned on the top of the chimney and fixed with four adjustable locating rods which are inserted down the chimney. This means that no fixing into the chimney itself is required. The fan is a discreet and compact unit with a low profile.



## ELECTRICAL ACCESSORIES



REU p. 320

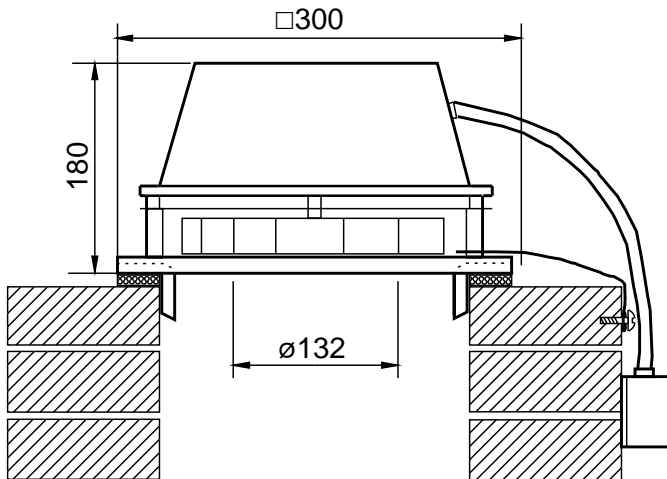


REE p. 321



REU p. 320

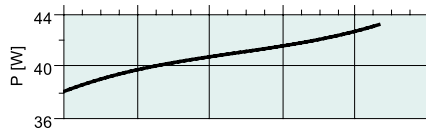
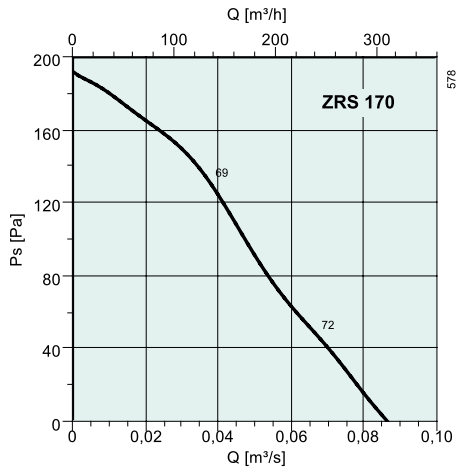
## DIMENSIONS



## TECHNICAL DATA

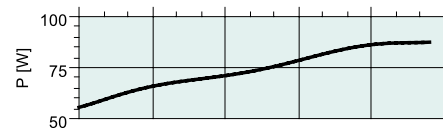
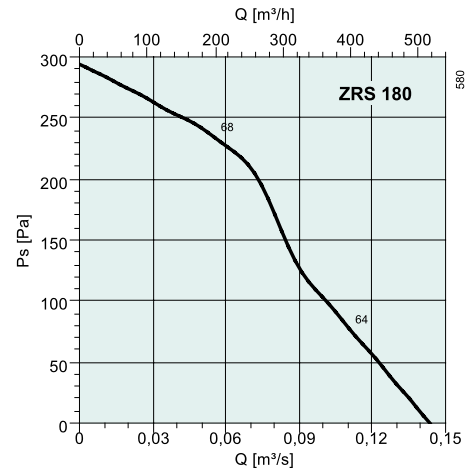
ZRS		170	180				
Art no.		1665	1667				
Voltage/Frequency	V/50 Hz	230 1~	230 1~				
Power	W	42.9	55.5				
Current	A	0.19	0.26				
Max air flow	m <sup>3</sup> /s	0.0861	0.144				
R.p.m.	min <sup>-1</sup>	2566	2746				
Max temp. of transported air	°C	200	200				
" when speed controlled	°C	200	200				
Sound pressure level at 10 m	dB(A)	37	41				
Weight	kg	7.6	8.6				
Insulation class, motor	F	F					
Enclosure class, motor	IP 44	IP 44					
Capacitor	µF	1.5	2				
Speed control, five step	Transformer	RE 1,5	RE 1,5				
Speed control, stepless	Thyristor	REE 1	REE 1				
Wiring diagram p. 391-400		2	2				

PERFORMANCE



dB(A)	Tot	Frequency bands [Hz]							
		63	125	250	500	1k	2k	4k	8k
L <sub>WA</sub> Inlet	72	54	66	66	67	58	55	46	37
L <sub>WA</sub> Surrounding	68	38	64	59	60	61	57	51	41

Measurement point: 0,0672 m<sup>3</sup>/s; 47 Pa



dB(A)	Tot	Frequency bands [Hz]							
		63	125	250	500	1k	2k	4k	8k
L <sub>WA</sub> Inlet	64	44	47	60	58	58	54	48	47
L <sub>WA</sub> Surrounding	72	42	50	68	62	66	62	58	55

Measurement point: 0,111 m<sup>3</sup>/s; 75 Pa