



## MUB/MUB-EC Series

### Multi-Box Inline Fans



Systemair Multi-box inline fans are designed to be efficient, versatile supply or exhaust ventilation systems. The flexibility offered by the removable panels allows the MUB's airflow direction to be selected on site. Straight through or 90 degree airflow paths are possible. Steep fan curves from backward incline external rotor motors allow these fans to be used in place of air handling units with the addition of external heating/cooling coils or filter boxes.

### Cabinet

The casing consists of an aluminium frame with fiberglass reinforced plastic corners and double skin, galvanised steel panels with a 20 mm (0.78 inches) fiberglass. Panels are removable, allowing flexible ventilation solutions. Notch in cabinet's front and back allows accessories to easily attach to unit.

### Blowers

MUB Multi-box inline fans use EC or AC EBM/Papst external rotor motors. The motor's enclosed design and backward incline impeller allows the fan to operate in high moisture, lint and dust laden air. The motors are a permanent split capacitor type, with automatic reset for thermal overload protection and sealed ball bearings. Motors and impellers are designed as one integral unit, allowing for excellent motor heat dissipation, even at a low RPM.

### Warranty:

The inline fan is backed by a 3-year limited warranty from the purchase date. The limited warranty covers defects in material, workmanship and parts.

### Flexible airflow direction



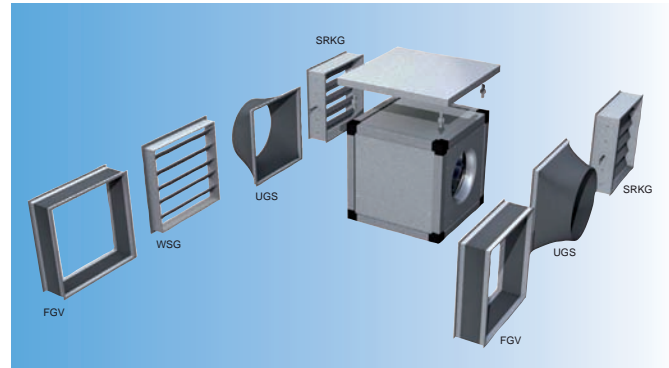
### Features:

- 8 models to choose from
- Up to 6400cfm (3020l/s)
- EC or AC versions available
- 100 % speed controllable
- EBM/Papst external rotor motors with integrated electronic motor protection
- Modular system
- Low noise level
- Flexible airflow direction due to removable panels
- Installation in any mounting position
- Maintenance free operation

### Mounting

Unit may be mounted in any position. Typically unit is suspended by threaded rod or brackets, or placed on a platform.

### Options



#### SRKG

The motorized damper is designed with a number of aluminium blades mounted in an aluminium frame, available power open/spring return or modulating action.

#### UGS

Square to round flexible fabric connector. The frame is manufactured from galvanized metal and coated fabric.

#### Flexible Fabric Connector

Flexible connection.

#### WSG

Fixed-blade wall louver includes protective screen.

#### Speed Control

- LCS Series of Speed Controls Modulates Fan speed by up to 100% based on:
  - Temperature of the space
  - Pressure within a duct
  - Voltage (2 – 10VDC or 4 – 24mA signal Input)
- Variable Speed Control with On/Off
- VFD

INTELLIGENT TECHNOLOGY IN HARMONY WITH THE ENVIRONMENT

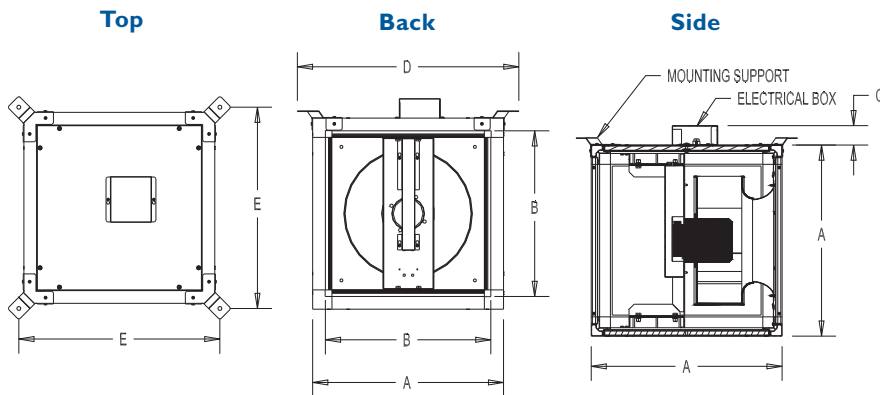


## Specifications and Performance

Model = XXX + XX + XXX + X					Current A	Power W	MCA/MOP A	Weight KG (lbs)	External Static Pressure - Inches of wg and (pa)					
Series	Size	Type	Voltage	Phase					0.0" (0)	0.5" (125)	1.0" (250)	1.5" (450)	2.0" (500)	
<b>MUB</b>	500	AC	115	1	1.6	185	2.0/15	27.2 (60)	1120 (529)	940 (444)	690 (326)	170 (80)	0 (0)	
	500	AC	230	1	0.74	170	1.0/15	27.2 (60)	1121 (529)	941 (444)	691 (326)	171 (80)	0 (0)	
	500	EC	115	1	4.2	350	5.3/15	27.2 (60)	1590 (751)	1440 (670)	1295 (611)	942 (445)	760 (359)	
	500	EC	230	1	2.9	505	3.7/15	27.2 (60)	1766 (834)	1648 (778)	1500 (708)	1354 (639)	1118 (528)	
<b>MUB</b>	600	AC	115	1	6.6	750	8.3/15	46.3 (102)	2630(1241)	2350(1110)	2040 (963)	1690 (798)	1200 (566)	
	600	AC	230	1	3.3	750	4.5/15	46.3 (102)	2630(1241)	2350(1110)	2040 (963)	1690 (798)	1200 (566)	
	600	AC	230	3	2.4	790	3.0/15	43.6 (96)	2800(1322)	2500(1180)	2200(1038)	1700 (802)	1150 (543)	
	600	AC	460	2	1.3	790	1.7/15	43.6 (96)	2800(1322)	2500(1180)	2200(1038)	1700 (802)	1150 (543)	
	600	EC	115	1	4.5	380	5.7/15	42.7 (94)	2354(1110)	2001 (945)	1650 (779)	1000 (472)	295 (140)	
	600	EC	230	1	3.5	775	4.4/15	42.7 (94)	2800(1322)	2560(1208)	2330(1100)	2000 (944)	1650 (779)	
	600	EC	230	3	2.6	770	3.3/15	42.7 (94)	2860(1350)	2620(1237)	2390(1128)	2060 (972)	1710 (807)	
	600	EC	460	3	1.6	830	2.0/15	42.7 (94)	2860(1350)	2620(1237)	2390(1128)	2060 (972)	1710 (807)	
	<b>MUB</b>	700	AC	115	1	10.5	1200	13.2/25	53.6 (118)	3800(1794)	3500(1652)	3000(1416)	2500(1180)	1750 (826)
		700	AC	230	1	5.2	1200	6.5/15	61.3 (135)	3800(1794)	3500(1652)	3000(1416)	2500(1180)	1750 (826)
700		AC	230	3	3.2	1000	4.0/15	57.6 (127)	3750(1770)	3500(1652)	3200(1510)	2650(1251)	2150 (1015)	
700		AC	460	3	1.85	1150	2.4/15	57.6 (127)	3750(1770)	3500(1652)	3200(1510)	2650(1251)	2150 (1015)	
700		AC	575	3	1.52	1150	1.9/15	57.6 (127)	3750(1770)	3500(1652)	3200(1510)	2650(1251)	2150 (1015)	
700		EC	230	1	2.9	750	3.7/15	57.6 (127)	3532(1667)	3180(1501)	2767(1306)	2178(1028)	883 (417)	
700		EC	460	3	1.85	1000	2.4/15	57.6 (127)	4120(1945)	3767(1778)	3473(1640)	3120(1473)	2590 (1222)	
<b>MUB</b>		700H	AC	230	3	5.9	1950	7.4/15	67.6 (149)	5600(2643)	5200(2454)	4800(2265)	4450(2100)	3800 (1794)
	700H	AC	460	3	3.3	1950	4.2/15	67.6 (149)	5600(2643)	5200(2454)	4800(2265)	4450(2100)	3800 (1794)	
	700H	EC	230	3	8.5	2800	10.7/20	67.6 (149)	6360(3002)	6120(2889)	5768(2722)	5533(2612)	5180 (2445)	
	700H	EC	460	3	4.3	2700	5.4/15	67.6 (149)	6400(3021)	6120(2889)	5650(2667)	5385(2542)	5150 (2431)	

\*Systemair, reserves the right to modify, at any time and without notice, any or all specifications.

## Dimensions



MUB	A	B	C	D	E
MUB 500	19 5/8" (500mm)	16 1/2" (420mm)	2 3/8" (60mm)	23 1/2" (600mm)	21" (535mm)
MUB 600	23 5/8" (600mm)	20 1/2" (520mm)	2 3/8" (60mm)	27 7/16" (700mm)	25" (635mm)
MUB 700"H"	27 5/8" (700mm)	24 1/2" (620mm)	2 3/8" (60mm)	31 3/8" (800mm)	29" (735mm)

For more information contact:

Systemair • Art no. 405098 March 2010



Canada • 50 Kanalfakt Way, Bouctouche, NB E4S 3M5 • Tel: 1.877.SYSAIR1 • Fax: 1.877.SYSAIR2 • Tel: 1.877.797.2471 • Fax: 1.877.797.2472