

Explosion proof bifurcated axial fans



AXCBF-EX

- Aerofoil impeller with adjustable pitch angle
- Die cast aluminium hub and blades
- Casing, hot dip galvanized steel, to EN ISO 1641
- Aluminium anti-spark ring
- Spun flanges for high rigidity, to Eurovent 1/2 standard
- Single and three phase motors, IP55, insulation class F, in accordance with EN 60034, IEC 85.
- Admissible ambient temperatures from -20°C to +40°C, other temperatures on request
- With motor outside the airstream

ELECTRICAL ACCESSORIES

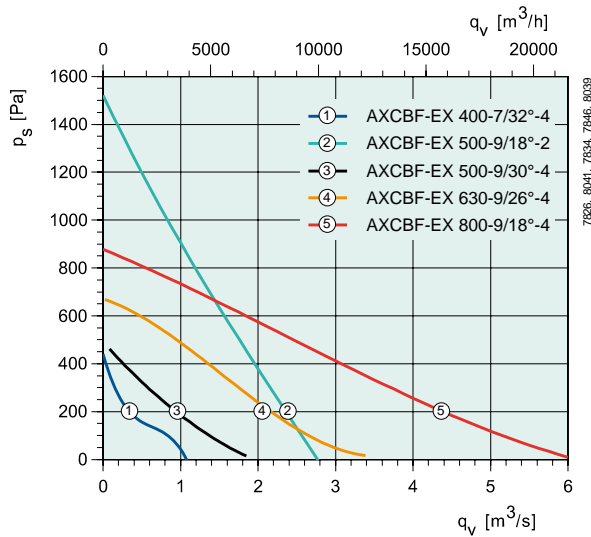
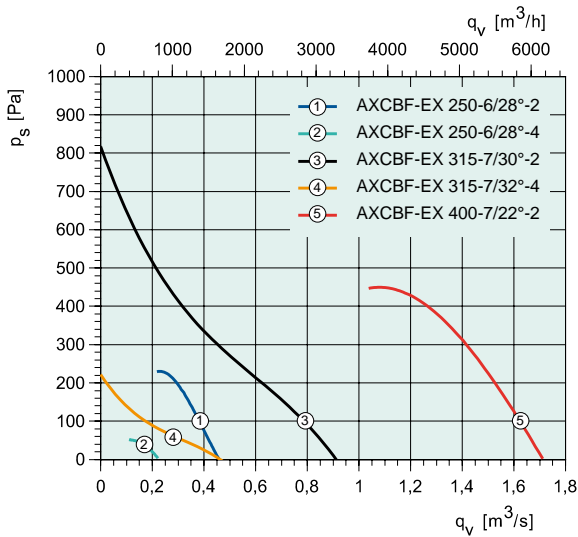


The Systemair AXCBF-EX range of bifurcated medium pressure axial fans has been developed for applications with an atmosphere which would either require special motors or reduce the lifetime of a standard motor. The Ex d motors of AXCBF-EX are out of the airstream. Available in sizes from 250 up to 800 mm impeller diameter. The stock range offers a stand-

ard selection with maximum airflow for the installed motor power. The fans can be used for zones 1 or 2, field of application II, for gases of groups IIA, IIB and IIC and for temperature classes T1 to T4. The fans are classified under Sira 07ATEX6341X. The Ex d motors are equipped with PTC thermistors for optimum motor protection. The motor

is speed controllable by frequency converter. AXCBF-EX bifurcated axial fan casings are heavy gauge, hot dip galvanized, with spun flanges for high rigidity. The motor compartment allows easy access to the motor terminal box for wiring. Single or three phase B3 foot mounted motors, totally enclosed and fan cooled.

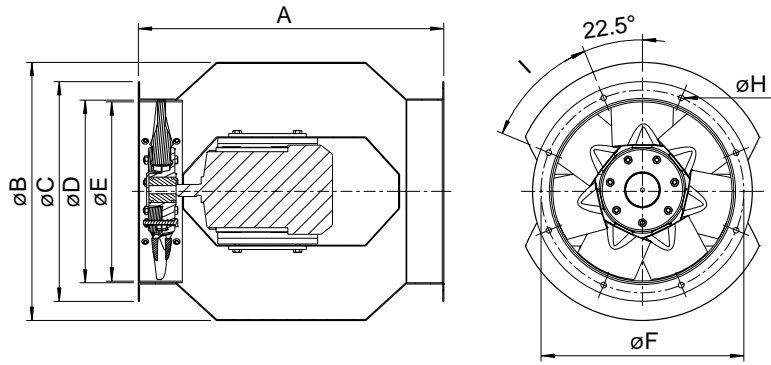
QUICK SELECTION



TECHNICAL DATA

AXCBF-EX		250-6/28°-2	250-6/28°-4	315-7/30°-2	315-7/32°-4	400-7/22°-2
Art no		33021	33025	33022	33026	33023
Voltage/Frequency	V/50 Hz	400 3~	400 3~	400 3~	400 3~	400 3~
Max. power load	kW	0.37	0.25	0.75	0.25	2.20
Power	W	309	93.4	693	155	1911
Max current	A	1.1	0.8	1.9	0.8	4.8
Current	A	0.79	0.563	1.43	0.609	3.16
Max air flow	m³/s	0.463	0.225	0.911	0.459	1.71
R.p.m.	min ⁻¹	2916	1487	2885	1476	2918
Max temp. of transported air	°C	40	40	40	40	40
Weight	kg	30	30	72	65	64
Insulation class, motor		F	F	F	F	F
Enclosure class, motor		IP 55	IP 55	IP 55	IP 55	IP 54
Certificate		SIRA 07ATEX6341X				
Wiring diagram p. 391-400		45	45	45	45	45

DIMENSIONS



AXCBF-EX	A	øB	øC	øD	øE	øF	øH	I
250	535	448	328	250	238	302	10	8 x 45°
315	535	452	385	320	308	355	10	8 x 45°
400	625	585	480	401	388	450	10	8 x 45°
500 short version	660	695	590	504	490	560	12	12 x 30°
500 long version	710	695	590	504	490	560	12	12 x 30°

VENTILATION ACCESSORIES



FSD p. 386



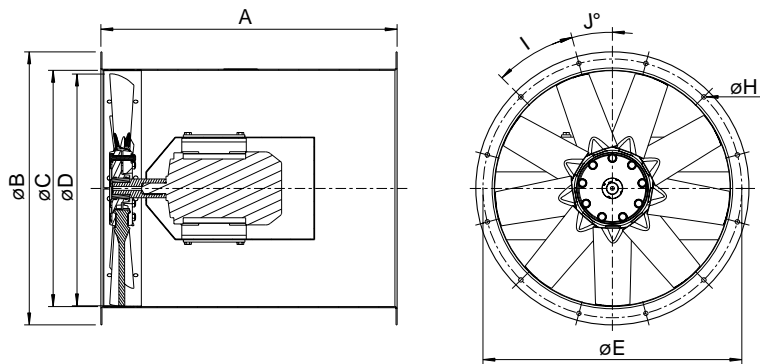
MFA-AXCBF p. 388



EV-EX/AXC p. 387



GFL-AR/AXC p. 389



AXCBF-EX	A	øB	øC	øD	øE	øH	I
630	790	728	634	618	690	12	12 x 30°
800	880	890	797	778	860	12	16 x 22,5°

AXCBF/EX		400-7/32°-4	500-7/18°-2	500-7/30°-4	630-9/26°-4	800-9/18°-4
Art no		33027	33024	33028	33029	33030
Voltage/Frequency	V/50 Hz	400 3~	400 3~	400 3~	400 3~	400 3~
Max. power load	kW	0.55	2.2	1.1	2.2	4.0
Power	W	444	3054	863	2187	3403
Max current	A	1.6	4.8	2.8	5.25	8.2
Current	A	1.1	4.78	1.85	4.27	6.02
Max air flow	m³/s	1.08	2.71	1.85	3.4	5.88
R.p.m.	min ⁻¹	1444	2840	1450	1459	1457
Max temp. of transported air	°C	40	40	40	40	40
Weight	kg	58	85	77	112	185
Insulation class, motor		F	F	F	F	F
Enclosure class, motor		IP 55	IP 55	IP 55	IP 55	IP 55
Certificate		SIRA 07ATEX6341X				
Wiring diagram p. 391-400		45	45	45	45	45