



## Jet Fan AJ8

- Dual use: For daily ventilation and smoke extraction in case of fire F300 (300°C/120 min.) and F400 (400°C/120min).
- Aerodynamical impellers for maximum thrust and with low sound level (reversible impellers on request)
- Motors IP54, insulation class H (smoke extract); Motors IP55, insulation class F (CO-exhaust), according to EN 60045-5/IEC 85
- Tested inspection switch optional
- Shapely, low design-casing
- Casing manufactured from galvanized steel
- Removable fan module also after installation for easy maintenance
- Certified to EN 12101-3, CE-certification by TÜV Süd



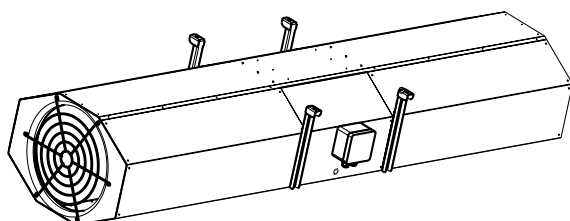
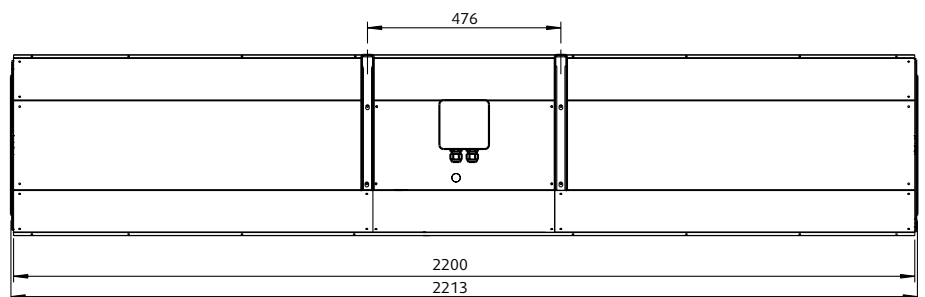
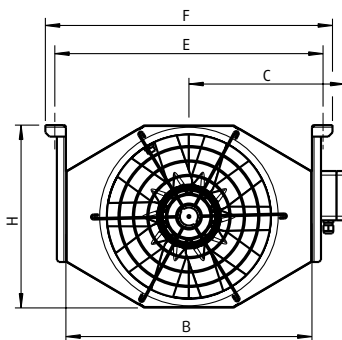
### Technical data

Jet fan AJ8 400V/50Hz	Thrust	Air volume	Motor rated power	Motor rated current	Speed	Sound level 3 m, from center of casing	Weight	Temperature
	N	m <sup>3</sup> /h	kW	A	rpm	LpA dB	kg	
AJ8 315-2	23	4400	0,75	1,99	2900	62	82	55°C
AJ8 315-2/4	23/6	4400/2200	0,75/0,17	2,14/0,75	2860/1420	62 / 47	84	55°C
AJ8 355-2	37	6300	1,1	2,5	2900	69	88	55°C
AJ8 355-2/4	37/9	6300/3150	1,4/0,3	3,13/1,11	2880/1430	69 / 54	90	55°C
AJ8 400-2	55	7700	1,5	3,3	2840	73	97	55°C
AJ8 400-2/4	55/11	7700/3850	1,9/0,4	4,18/1,47	2885/1435	73 / 58	99	55°C
AJ8 315-2 (B)	23	4400	0,75	1,8	2900	62	82	300°C/120 Min.
AJ8 315-2/4 (B)	23/6	4400/2200	0,75/0,15	1,6/0,4	2880/1450	62 / 47	84	300°C/120 Min.
AJ8 355-2 (B)	37	6300	1,1	2,5	2870	69	88	300°C/120 Min.
AJ8 355-2/4 (B)	37/9	6300/3150	1,3/0,25	3,1/0,68	2905/1460	69 / 54	90	300°C/120 Min.
AJ8 400-2 (B)	55	8700	1,5	3,2	2870	73	97	300°C/120 Min.
AJ8 400-2/4 (B)	55/11	8700/4350	1,8/0,37	3,9/0,95	2880/1455	73 / 58	99	300°C/120 Min.

Air volume related to air density 1,2 kg/m<sup>3</sup>

400°C/2h versions on request

### Dimensions



Size	H	B	C	E	F
315	365	550	355	635	650
355	395	550	355	635	650
400	445	600	380	684	700

All dimensions in mm.