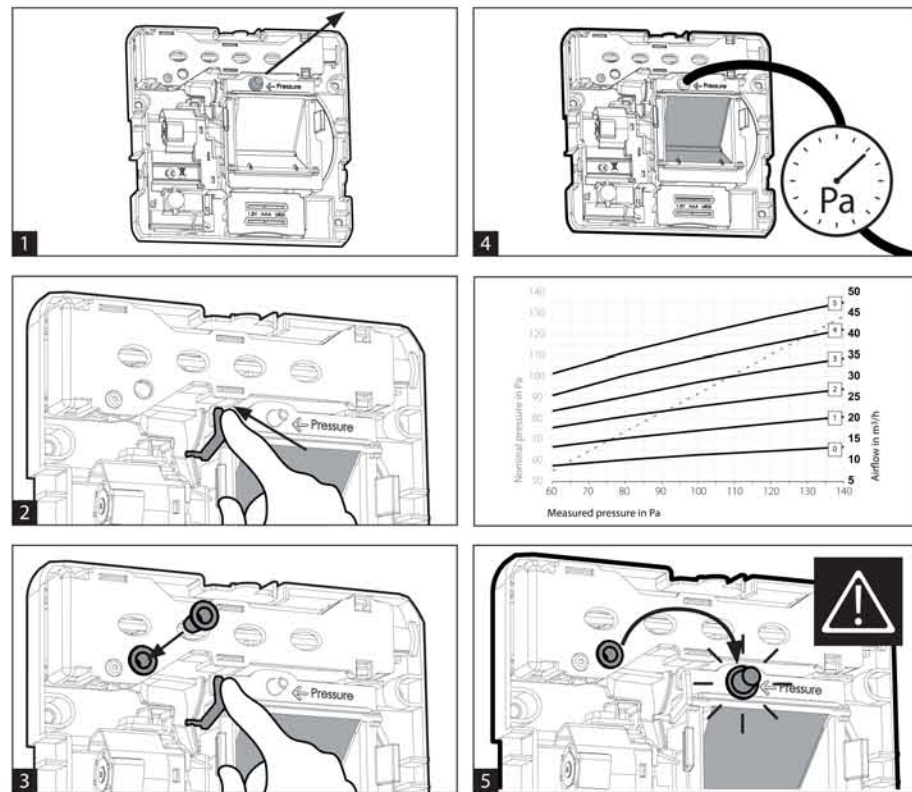
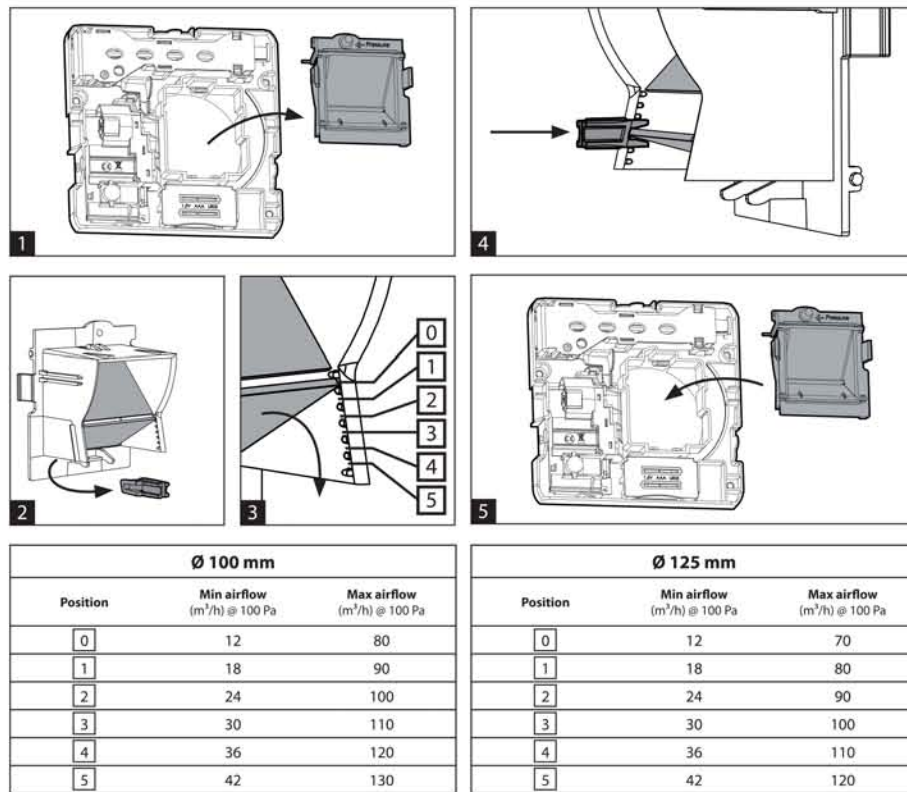


Pressure measurement



5

Airflow setting



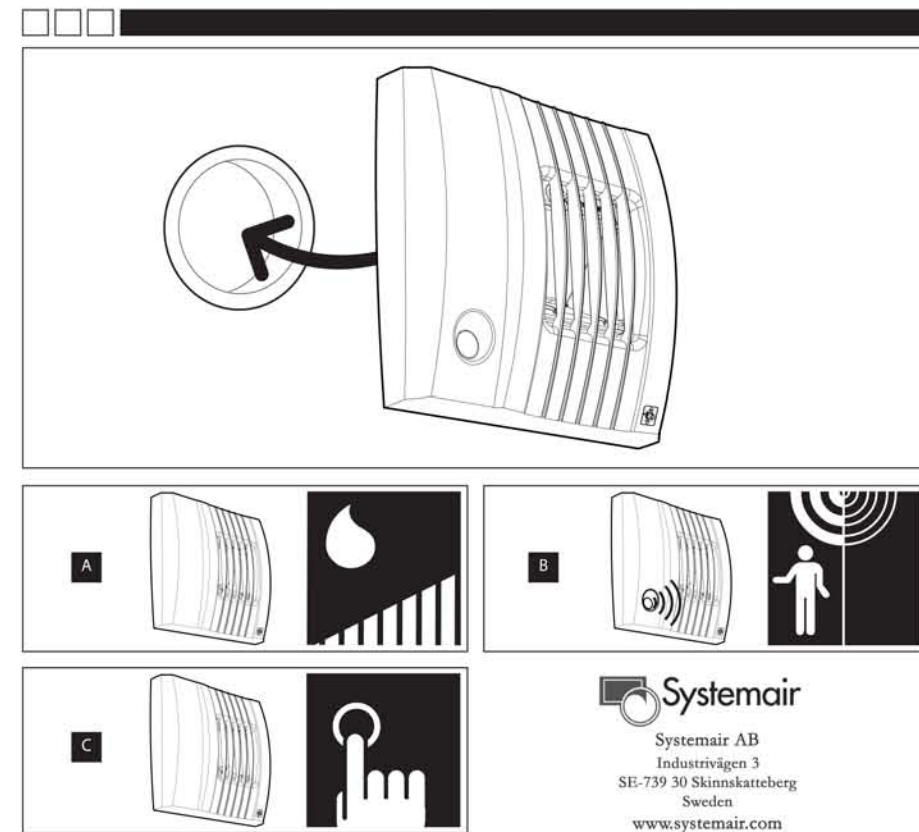
6

Ø 100 mm		
Position	Min airflow (m ³ /h) @ 100 Pa	Max airflow (m ³ /h) @ 100 Pa
0	12	80
1	18	90
2	24	100
3	30	110
4	36	120
5	42	130

Ø 125 mm		
Position	Min airflow (m ³ /h) @ 100 Pa	Max airflow (m ³ /h) @ 100 Pa
0	12	70
1	18	80
2	24	90
3	30	100
4	36	110
5	42	120

BHC

CE



Systemair

Systemair AB
 Industrivägen 3
 SE-739 30 Skinnkatteberg
 Sweden
www.systemair.com

D038

