



## Photo



## Descriptions

Part to attach a duct to take in fresh air from outdoors.

## Applicable Models

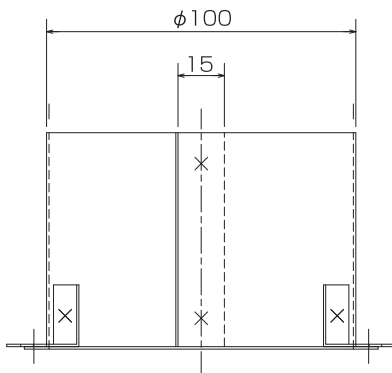
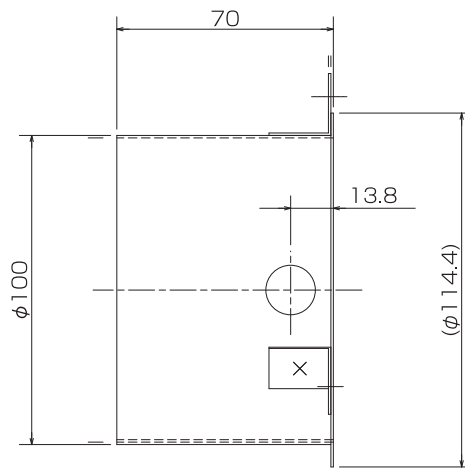
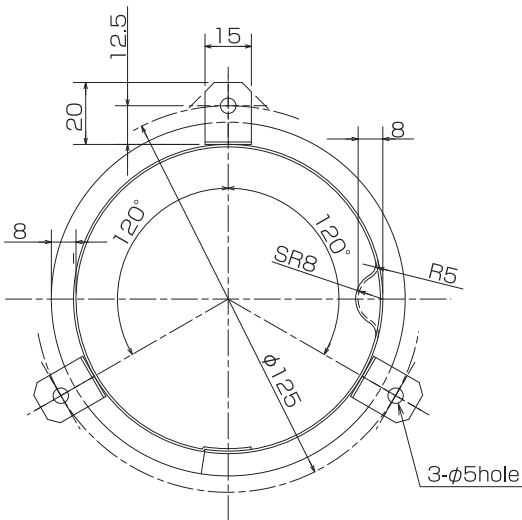
- PLA-M EA series
- PLFY-P VEM-E series

## Specifications

Connection duct diameter (mm)	φ100
Material	Hot-dip zinc-coated carbon steel sheet (t0.8)
Accessory	Insulator, Fixing screw (ST4x10)x3

## Dimensions

Unit : mm

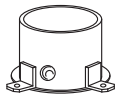
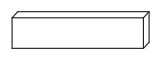
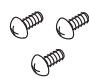


OPTIONAL PARTS

# How to Use / How to Install

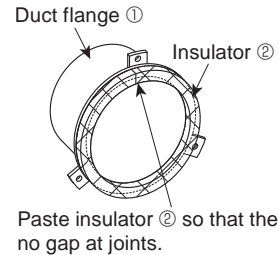
## 1. Checking Parts

(This box contains the installation manual and the following parts)

Part	①Duct flange	②Insulator	③Screws(M4x10)
Qty	1	1	3
Shape			

## 2. Attaching Duct Flange for External Air Input

- Punch an opening for the duct flange.
  - <When attaching to main unit>
    - Cut the slit of the  $\phi 100$  cut-out hole to which the duct flange is to be attached.
  - <When attaching to Multi-functional casement>
    - Remove the  $\phi 100$  knockout hole to which the duct flange is to be attached.
- Paste insulator ② on the duct flange ① (see the figure on the right).
- Use 3 screws ③ to attach duct flange ① (see the figure below).

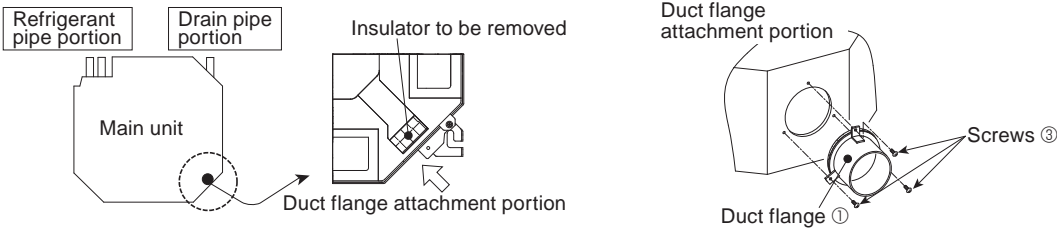


Note:

- When attaching to the main unit, **be sure to remove the insulator** that is pasted on the location of main unit (shown in the figure below).
- When attaching to Multi-functional casement, be sure to **set the concave portion of duct flange ① toward the grille attachment surface when attaching it.** (If the duct flange is attached to a location other than the specified one, the grille cannot be attached.)
- When external air is input directly through the main unit, intake-air volume should be 5% or less of indoor unit air volume.
- When external air is input through the Multi-functional casement, intake-air volume should be 20% or less of indoor unit air volume.
- To input the external air, the duct fan and dust collecting filter to prevent drawing in dust and other particles are necessary. For details, see "Fresh air intake volume & static pressure characteristics" in the P series DATA BOOK.
- When external air is input into the main unit, the operation noise can be larger.

### When attaching to main unit

- For the E type 4-way cassette (PLA-M • EA, PLFY-P • VEM-E)



### When attaching to Multi-functional casement

