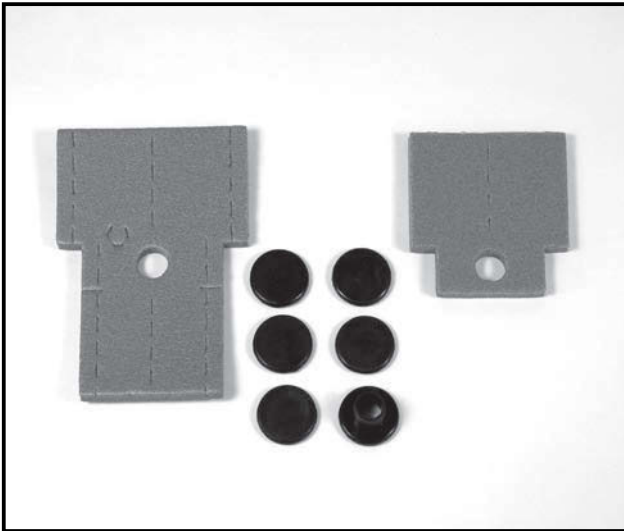


Photo



Descriptions

Cap the unnecessary holes on the outdoor unit (bottom) and centralize the drainage when using a drain pipe.

Applicable Models

- MXZ-8A140VA ■ PUHZ-RP100VKA/YKA
- PUHZ-RP35VHA4 ■ PUHZ-RP125VKA/YKA
- PUHZ-RP50VHA4 ■ PUHZ-RP140VKA/YKA
- PUHZ-RP60VHA4 ■ PUHZ-HRP71/100/125VHA2
- PUHZ-RP71VHA4 ■ PUHZ-P100/125/140/200/250

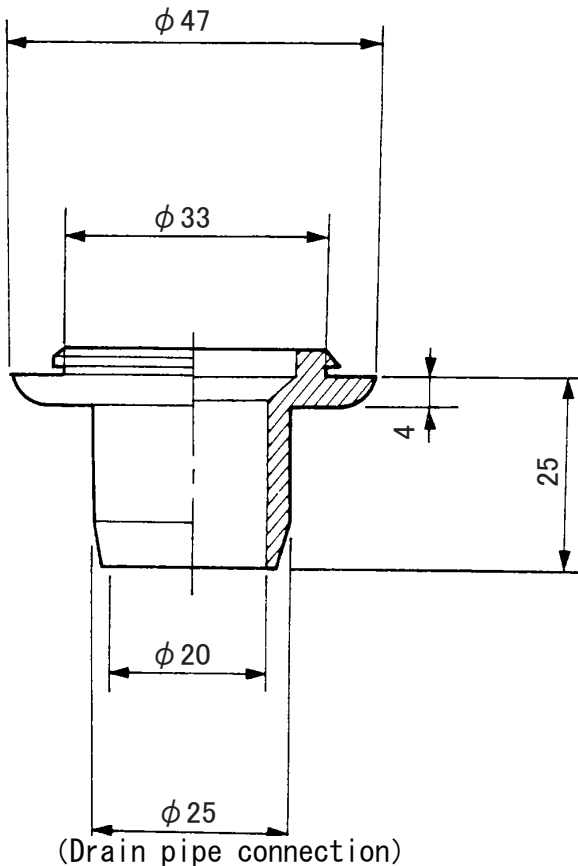
Specification

Drain pipe	PVC VP-25 or vinyl hose (ID: 25mm)
Operating conditions	No freezing allowed (Never to be used in cold climates)
Material	EPT rubber
Component	Drain socket x 1, Drain cap x 5 Heat insulator x 3 (1 for liquid pipe, 1 large and 1 small insulator for gas pipe), Band x 8

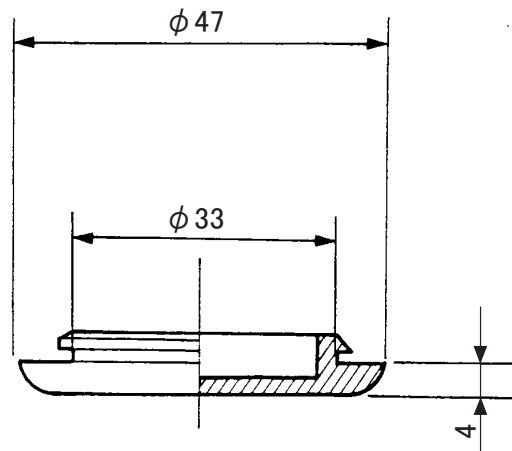
Dimensions

Unit : mm

Drain socket






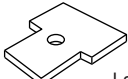
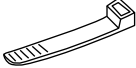
Drain cap



How to Use / How to Install

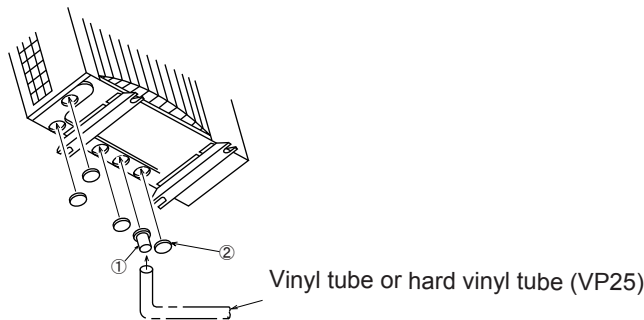
1 Accessory

Make sure that the following parts are put in the package.

① Drain socket 1 pcs	② Drain cap 5 pcs	
		
③ Insulation part (for liquid pipe) 1 pc	④ Insulation part (for gas pipe) 1 pc	⑤ Band 8 pcs
 Small size	 Large size	

2. Installation method for drain unit ☆ Prepare the adhesive in the field.

- Glue the drain socket ① to the hole that is used to centralize the drainage among several holes at the bottom of the unit with the glue (Prepare in the field).
- Glue the drain caps ② to close all the other unnecessary holes with the glue (Prepare in the field).
 〈Note〉 Apply the glue securely, as the glue (Prepare in the field) will work as seal to prevent water from leaking.
 〈Note〉 Use the adhesive for the rubber and metal.
 〈Recommended product〉 Super X series made by CEMEDINE CO., Ltd.
- Insert a vinyl tube of which inner diameter 25 mm available commercially or a hard vinyl tube VP25 to the drain socket ①.



3. Installation method for insulation parts

Install the insulation parts to stop valve of the outdoor unit.

※The insulation parts should be installed after the tube has been connected to the unit.

※Some units are provided with a check valve near stop valve. In this case, cut the insulation parts ③ and ④ so that they will fit the stop valve properly.

- Install the insulation part ③ with 2 holes to the liquid pipe side so that the holes fit the valve caps and cover the stop valve entirely.
- Fix the insulation part ③ securely with bands ⑤.
 Install the other insulation part ④ to the gas pipe side with the same procedure.

• Cut both ends of the insulation part ⑤ for gas tube side for the model RP71 or less.

