

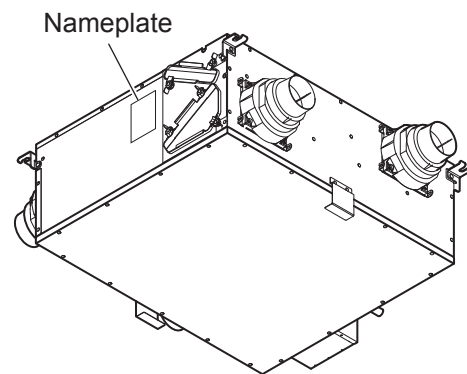
LOSSNAY

HANDBOOK

MODELS

VL-220CZGV-E

VL-220CZGV-EB



Remote controller (Optional)

PZ-61DR-E

PZ-43SMF-E

Filter (Optional)

P-220SHF-E

P-220EMF-E

P-220F-E

Warning:









Repair work must be performed by the manufacturer, its service agent or a similarly qualified person in order to avoid hazards.




Contents

| | |
|--|-------|
| 1. Safety precautions | 3 |
| 2. Specifications | 4 |
| 3. Names and functions of components | 5 |
| 4. Outside dimensions | 6-8 |
| 5. Electrical wiring diagram | 9 |
| 6. Circuit board diagrams | 10-11 |
| 7. Troubleshooting | 12-28 |
| 8. Before receiving repair requests | 29 |
| 9. Service inspection list | 29 |
| 10. Overhauling procedures | 30-38 |
| 11. Parts catalog | 39-55 |
| VL-220CZGV-E | 40-47 |
| VL-220CZGV-EB | 48-55 |

1. Safety precautions

- Read the following precautions thoroughly before the maintenance, and then inspect and repair the product in a safe manner.
- The types and levels of danger that may arise if the product is handled incorrectly are described with the warning symbols shown below.

|  Warning | | Incorrect handling of the product may result in serious injury or death. | |
|--|---|---|---|
| <p>◇ Electric shock If you must inspect the circuitry while the power is on, do not touch the live parts.</p> <p>(Failure to heed this warning may result in electric shock.)</p> |  <small>Caution against electric shock</small> | <p>◇ Turn off the power supply Be sure to shut off the power supply isolator before disassembling the unit for repair.</p> <p>(Failure to heed this warning may result in electric shock.)</p> |  <small>Be sure to follow this instruction.</small> |
| <p>◇ Modification is prohibited Do not modify the unit.</p> <p>(Failure to heed this warning may result in electric shock, fire and/or injury.)</p> |  <small>Prohibited</small> | <p>◇ Use proper parts and tools For repair, be sure to use the parts listed in the service parts catalog of the applicable model and use the proper tools.</p> <p>(Failure to heed this warning may result in electric shock, fire and/or injury.)</p> |  <small>Be sure to follow this instruction.</small> |
| <p>◇ Proper electric work Use the electric wires designated for electric work, and conduct electric work in accordance with your local "Electric Installation Engineering Standard", the "Indoor Wiring Regulations" and the installation instructions.</p> <p>(Improper connection or wiring installation may result in electric shock and/or fire.)</p> |  <small>Be sure to follow this instruction.</small> | <p>◇ Replace damaged and/or degraded parts Be sure to replace the power cord and lead wires if they are damaged and/or degraded.</p> <p>(Failure to heed this warning may result in electric shock and/or fire.)</p> |  <small>Be sure to follow this instruction.</small> |
| | | <p>◇ Check insulation Upon completing repair work, always measure the insulation resistance. Verify that it is at least 10 MΩ (with a 500-V DC insulation resistance tester), and then turn on the power.</p> <p>(Inadequate insulation may result in electric shock.)</p> |  <small>Be sure to follow this instruction.</small> |

|  Caution | | Incorrect handling of the product may result in injury or damage to properties including buildings and equipment. | |
|--|--|---|---|
| <p>◇ Caution for injury Do not work at a location where you do not have a sure footing.</p> <p>(Failure to heed this caution may result in a fall.)</p> |  <small>Prohibited</small> | <p>◇ Wear gloves Wear gloves when servicing.</p> <p>(Failure to heed this caution may result in injury to your hands from sharp metal or other edges.)</p> |  <small>Be sure to follow this instruction.</small> |

Notes for servicing

- Inspect the earth condition, and repair it if it is incomplete. Make sure that a power supply isolator or an over-load protection device is installed, if it is not installed, recommend the customer to install one.
- Make sure that the product operates properly upon completion of repair. Clean the product and the surrounding area, and then notify the customer of the completion of repair.

2. Specifications

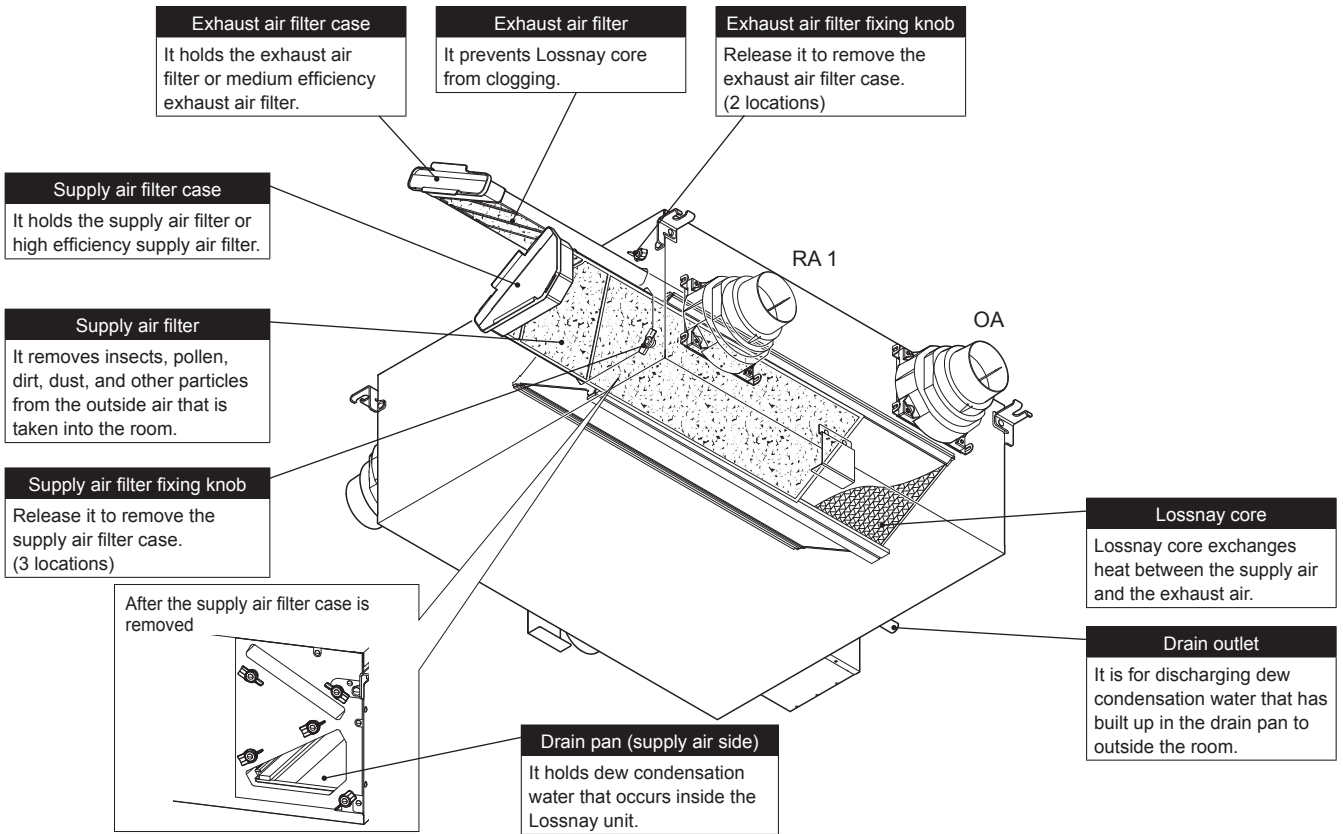
| | | | | | |
|--|---|-------------|-------------|-------------|----|
| Model name | VL-220CZGV-E, VL-220CZGV-EB | | | | |
| Heat exchange system | Heat recovery ventilating system | | | | |
| Heat exchanger material | Water-resistant paper sensible heat exchanger | | | | |
| Cladding | Galvanized steel sheet | | | | |
| Heat insulation material | Noncombustibility polyethylene foam | | | | |
| Motor | EC motor | | | | |
| Filter | Non-woven fabrics filter (Gravitational method 82%, EN779: 2012: G3) | | | | |
| Surrounding air condition | Shall be between 0°C and 40°C, 80%RH or less | | | | |
| Suction air condition | Shall be lower than 40°C, 95%RH | | | | |
| Supply fan operation under low outdoor temperature | 0°C to -5°C: Intermittent operation 24 min ON, 6 min OFF -5°C or less: Continuous supply air stopped | | | | |
| Function | Heat recovery ventilation/ Bypass ventilation, Fan speed 1,2,3,4 (When the optional motorized damper (P-133DUE-E) is used, bypass ventilation mode can be switched.) | | | | |
| Electrical power supply | 220-240 V/50 Hz, 220 V/60 Hz | | | | |
| Ventilation mode | Heat recovery mode | | | | |
| Fan speed | Fan speed 4 | Fan speed 3 | Fan speed 2 | Fan speed 1 | |
| Running current (A) | 0.60 | 0.29 | 0.18 | 0.11 | |
| Input power (W) | 80 | 35 | 18.5 | 8.5 | |
| Air volume | (m ³ /h) | 230 | 165 | 120 | 65 |
| | (L/S) | 64 | 46 | 33 | 18 |
| External static pressure (Pa) | 164 | 84 | 44 | 13 | |
| Temperature exchange efficiency (%) | 82 | 84 | 85 | 86 | |
| Noise (dB) | 31 | 25 | 19 | 14 | |
| Weight (kg) | VL-220CZGV-E: 31, VL-220CZGV-EB: 32 | | | | |
| Insulation resistance | 10 MΩ or more | | | | |
| Dielectric strength | 1000 V AC 1 minute | | | | |

Attention:

- The running current, the input power, the efficiency and the noise are based on the rating air volume, and 230 V/50 Hz. The noise is measured at 1.5 m under the center of the unit in an anechoic chamber.
- Temperature exchange efficiency (%) is based on winter condition.
- Mitsubishi Electric measures figures in the chart according to Japan Industrial Standard (JIS B 8628), therefore the characteristic curves are measured by chamber method.

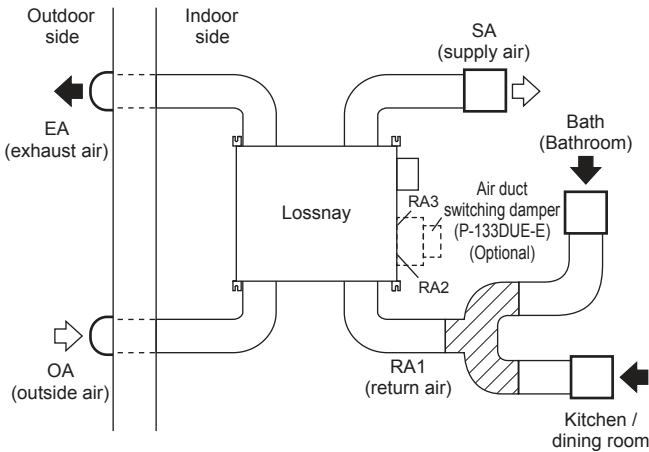
| | |
|--------------------------------------|--|
| Model name | PZ-61DR-E |
| Power supply requirement | 12 V DC (Supplied from Lossnay unit) |
| Power consumption | 0.3 W |
| Transmission cable | Non polarized 2-wire (0.3 mm ² (AWG22) sheathed cable) |
| Total wiring length | 200 m maximum |
| Number of controllable Lossnay units | 15 Lossnay units maximum (Max. 2 remote controllers installable) |
| Environmental condition | Temperature: 0 to 40°C, Humidity: 30% to 90% relative humidity (no condensation) |
| Size | 120 x 120 x 19 mm |
| Weight | 0.25 kg |
| Color | Munsell 1.0Y9.2/0.2 |

3. Names and functions of components



Piping example

- When connecting the RA (return air) to a bathroom, be sure to branch the pipe into two lines and intake return air from two locations, the bathroom and living room (kitchen/dining room).

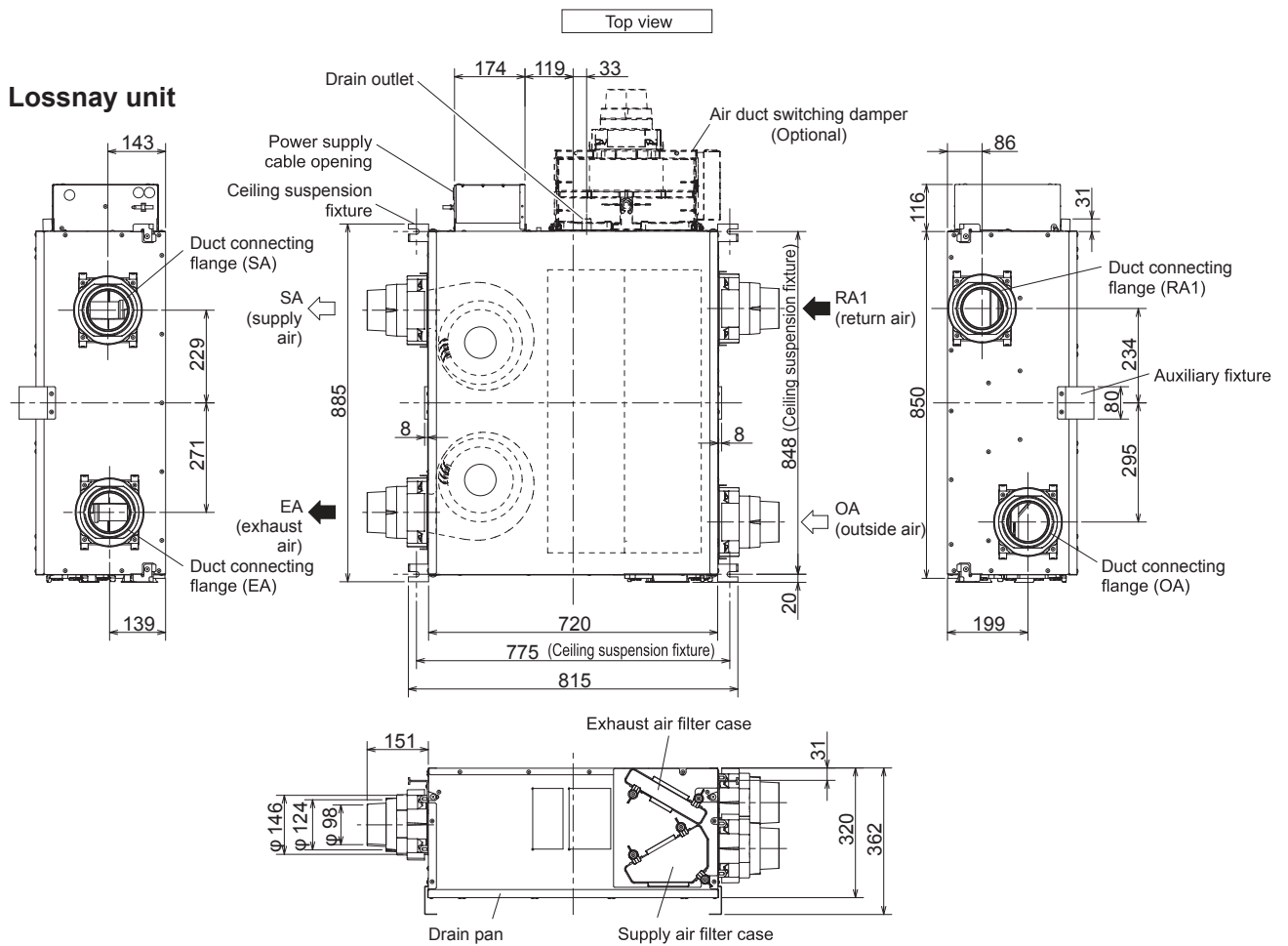


| Name of Connection Point | | Connection Location |
|--------------------------|------|---|
| RA (Return air) | RA1 | For intake from living room, toilet, wash basin, bathroom, etc. |
| | RA2* | For optional air duct switching damper (P-133DUE-E) |
| | RA3* | Exclusive for intake from living room, toilet, wash basin, bathroom, etc. |
| EA (Exhaust air) | | For exhaust air of inside air |
| OA (Outside air) | | For intake of outside air |
| SA (Supply air) | | For air supply opening to living room |

* When RA2 and RA3 are used, use grills equipped with filter.

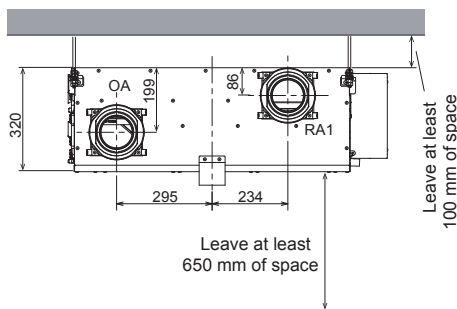
4. Outside dimensions

VL-220CZGV-E

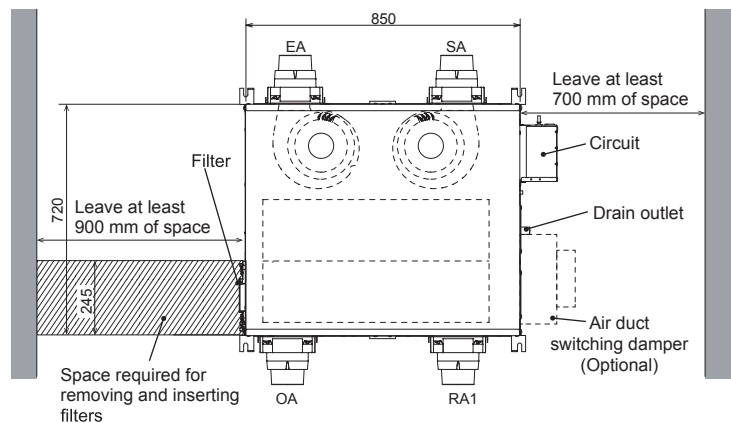


Working space (required space around Lossnay unit)

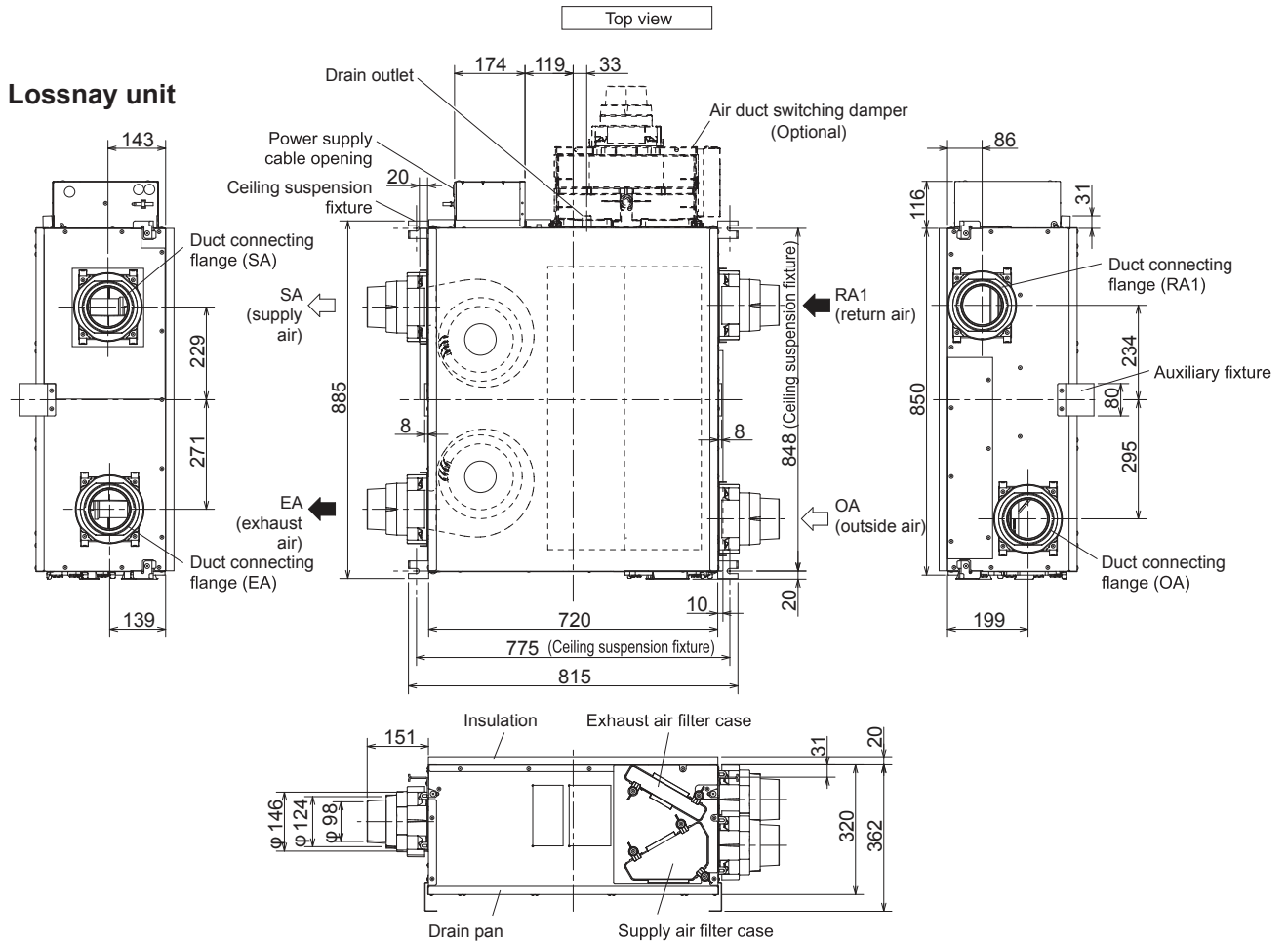
■ OA-RA side



■ Top side

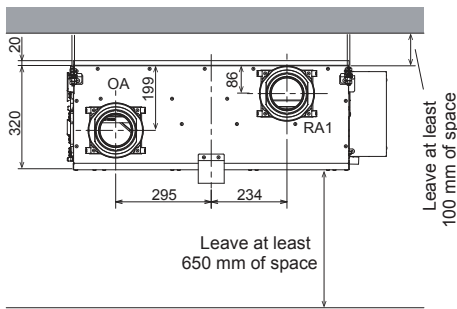


Unit (mm)

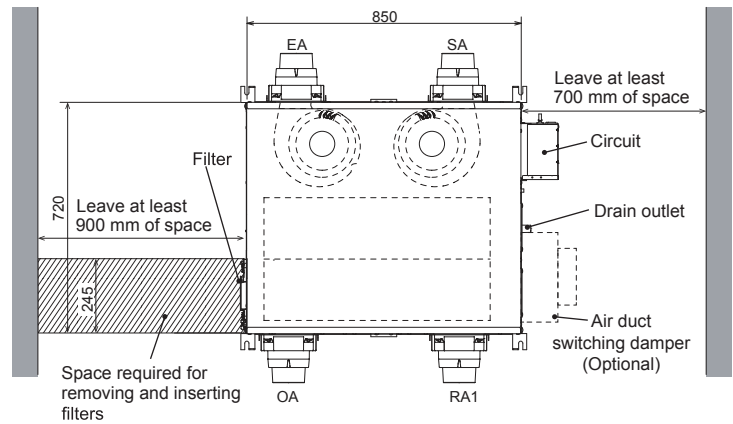


Working space (required space around Lossnay unit)

■ OA-RA side

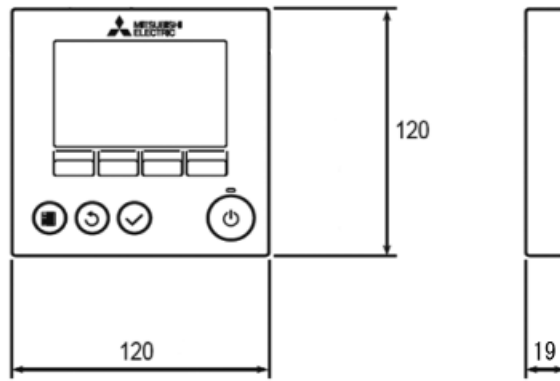


■ Top side



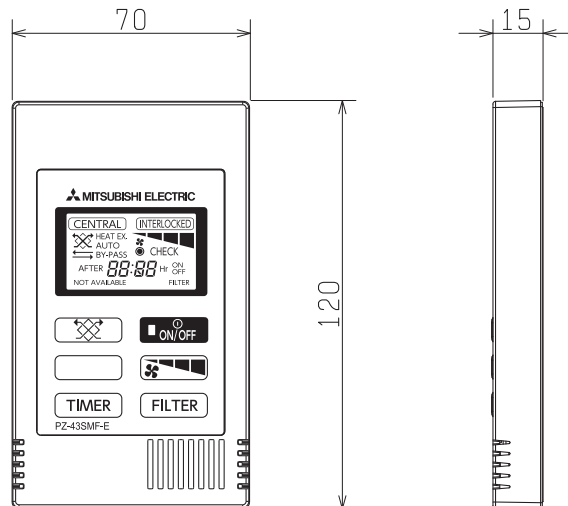
Unit (mm)

PZ-61DR-E



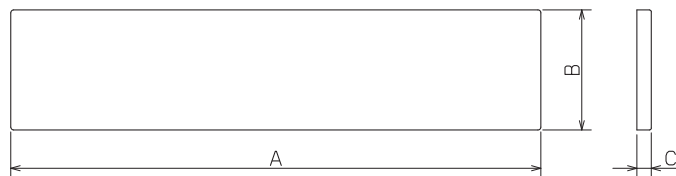
Unit (mm)

PZ-43SMF-E



Unit (mm)

P-220SHF-E, P-220EMF-E, P-220F-E



| Model | Dimension | | | The number of filters per set | Applicable model |
|------------|-----------|-----|----|-------------------------------|-------------------------------|
| | A | B | C | | |
| P-220SHF-E | 362 | 189 | 15 | 2 | VL-220CZGV-E VL-220CZGV-EB |
| P-220EMF-E | 353 | 183 | 15 | 2 | |
| P-220F-E | 355 | 184 | 15 | 2 | |

Note:

- Lossnay unit is provided with one set of the filters.

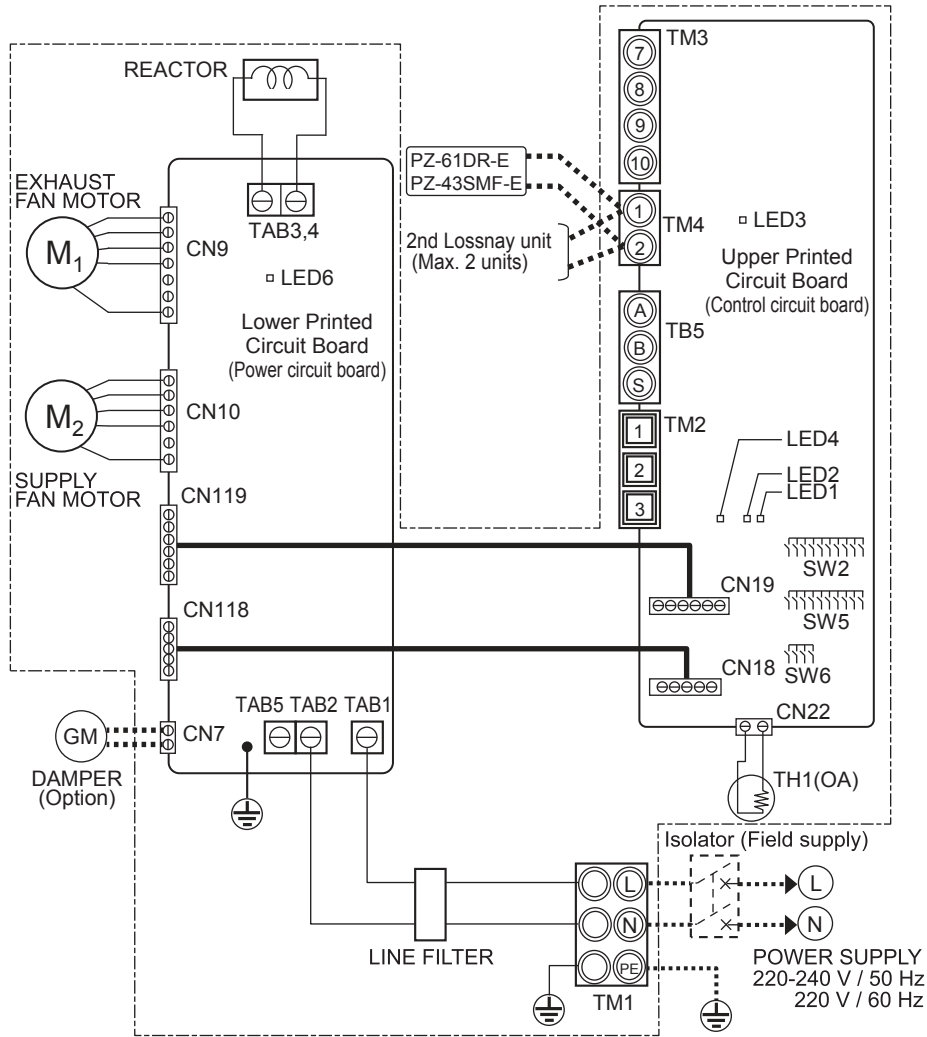
Unit (mm)

5. Electrical wiring diagram

VL-220CZGV-E, VL-220CZGV-EB

- * TM1, TM4 shown in dotted lines are field work.
- * CN7 (DAMPER) is optional.
- * Be sure to connect the earth wire.
- * A power supply isolator must be installed.
- * Always use an isolator for the main switch power connection.
- * Select proper circuit breaker according to the electrical current information in the chart below.

| | | |
|--------------------------------------|--------|-------|
| Inrush current after power supply ON | 10 ms | 6.1 A |
| | 100 ms | 3.6 A |



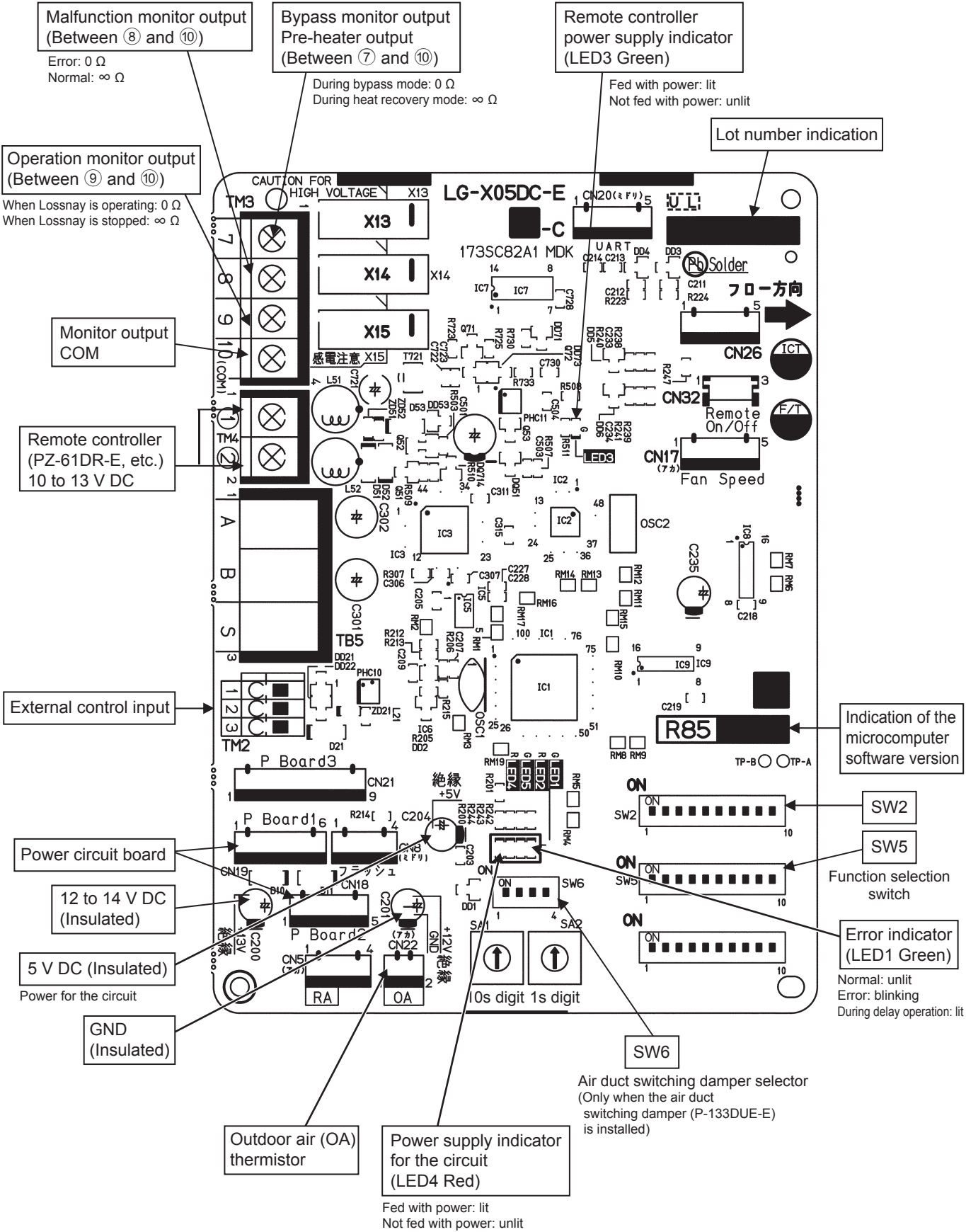
Definition of symbols

| | | |
|---|--|--|
| <p>M1: Motor for exhaust fan M2: Motor for supply fan GM: Motor for By-pass damper TH1: Thermistor for outside air SW2,5: Switch (Function selection) SW6: Switch (Motorized damper (option) selector) TM1: Terminal block (Power supply) TM2: Not in use TM3: Not in use TM4: Terminal block (Transmission cable)</p> | <p>TB5: Not in use TAB1, TAB2, (TAB5): Connector (Power supply) TAB3, TAB4: Connector (Reactor) CN7: Connector (Motor for By-pass damper)(Option) CN9: Connector (Fan motor) CN10: Connector (Fan motor) CN18: Connector CN118: Connector</p> | <p>CN19: Connector CN119: Connector CN22: Connector (Thermistor OA) LED1: Inspection indicator lamp LED3: Remote controller power supply indicator lamp LED4, LED6: Power supply indicator lamp SYMBOL : Terminal block : Connector on PCB</p> |
|---|--|--|

6. Circuit board diagrams

- Circuit board diagram and check points

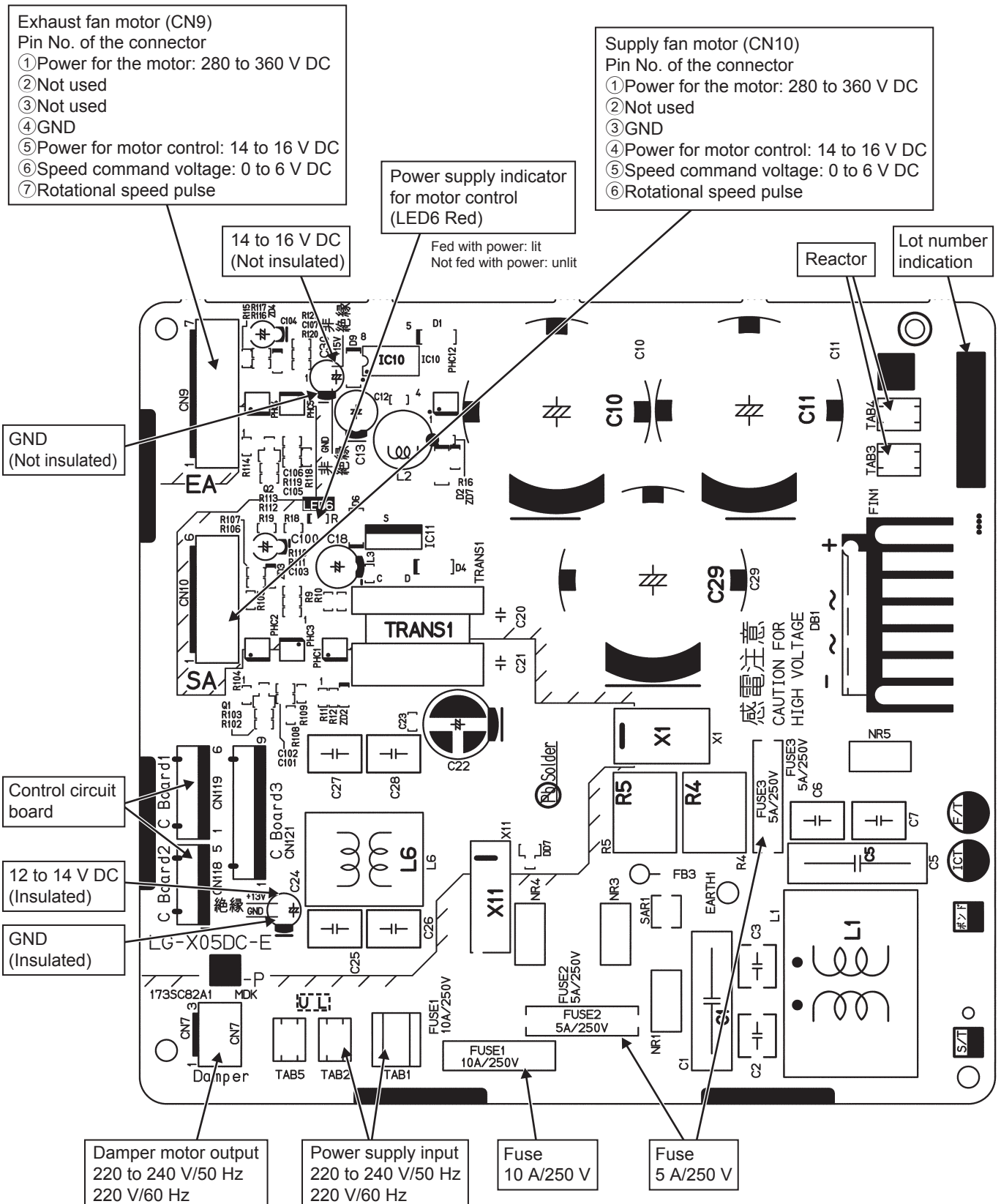
- (1) Control circuit board



(2) Power circuit board

Caution:

The power circuit board is not insulated from the power line (high voltage part), except for the connection part (CN118 and CN119) with the control circuit board. Also, even when the power supply is cut off, the capacitor is charged. Therefore, wait for at least five minutes before starting work.



7. Troubleshooting

■ Work precautions

- When removing or touching the cables, circuit board or other parts, make sure to turn off the power supply isolator.
 - Even after the power supply isolator is turned off, the capacitor on the circuit board retains high voltage for a while. Therefore, before servicing, wait for at least five minutes, and then use a tester to check that the voltage has dropped.
 - Once the power supply is turned off, be sure to wait for at least five minutes before turning the power back on again.
 - When servicing, be sure to recreate the malfunction two or three times before starting repairs.
 - When servicing, always take care to keep proper footing.
 - Before starting the service, always turn off the power supply isolator. Sufficient care must be taken to avoid electric shock or injury.
 - Make sure to connect the power supply wires correctly.
 - When removing the circuit board, always hold it at both ends and remove carefully so as not to apply force to the surface mounted parts.
 - When removing the circuit board, be careful of the metal edges on the board.
 - When removing or inserting the connectors for the circuit board, hold the entire housing section. Never pull on the lead wires.
 - If it is thought that there is a circuit board malfunction, check for disconnected wires in the print pattern, burnt parts or discoloration.
 - If the circuit board is replaced, make sure that the switch settings on the new board are the same as the old board.
- * The part names in the texts are standardized with the part names in the parts catalog. (There are some exceptions.)

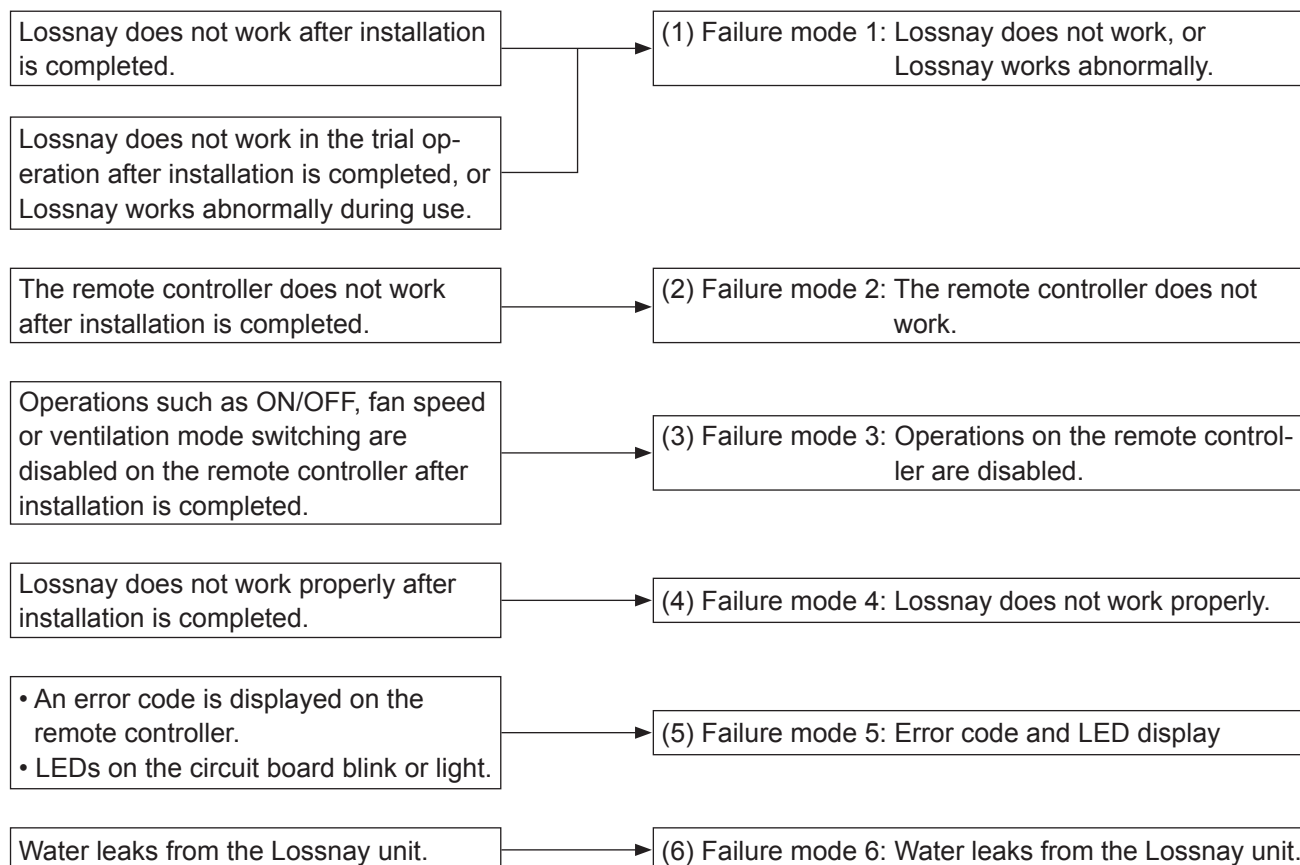
7-1 Service flowchart

After checking the check items below, follow the troubleshooting for servicing.

| Applicable Device | Applicable Model |
|--|-----------------------------|
| Lossnay Heat Recovery Ventilator | VL-220CZGV-E, VL-220CZGV-EB |
| Lossnay Remote Controller | PZ-61DR-E, PZ-43SMF-E |
| Air Duct Switching Damper (Lossnay Heat Recovery Ventilator System Component) | P-133DUE-E |

Note: This device (VL-220CZGV-E, VL-220CZGV-EB) is not compatible with M-NET. When connected to M-NET, a malfunction may occur or an error code may be displayed.

| No. | Preliminary check item | Details |
|-----|-------------------------------|--|
| 1 | Product information | <ul style="list-style-type: none"> • Model name of the product • Serial number of the product, manufacturing lot number of the circuit board • Microcomputer software version marked on the circuit board |
| 2 | Fault status | <ul style="list-style-type: none"> • Fault status (For example, the fan does not operate.) • Error code display on the remote controller • Operation setting of the remote controller (ventilation mode setting, fan speed setting, etc.) |
| 3 | Frequency of fault occurrence | <ul style="list-style-type: none"> • Frequency of fault occurrence (frequency of date and time of occurrence, regularity of occurrence, etc.) • Operating time up to fault occurrence • Date of start of use, date of fault occurrence |
| 4 | Timing of fault occurrence | <ul style="list-style-type: none"> • Remote controller operation performed before fault occurrence • Operating status, etc. |
| 5 | System settings | <ul style="list-style-type: none"> • Function selection switch settings of the product • Model name of the Lossnay remote controller, and whether the air duct switching damper is installed or not • Function settings on PZ-61DR-E when PZ-61DR-E is used |
| 6 | System drawings | <ul style="list-style-type: none"> • System Configuration • Wiring • Record of the Lossnay function setting statuses |



7-2 Check Details

(1) Failure mode 1: Lossnay does not work.

● Initial Check Items

Check the following details if Lossnay does not work after installation is completed.

① Power supply

| No. | Check Item | Corrective action |
|-----|--|--|
| 1 | Is the main power supply on? | Turn the main power supply on. |
| 2 | Is the current capacity of the power supply isolator appropriate? | Use an appropriate power supply isolator. |
| 3 | Is the designated cable used for the power supply cable? | Use the designated cable. |
| 4 | Is the specified power supply supplied to the power supply terminal (TM1)? 220-240 V/50 Hz, 220 V/60 Hz | Supply the designated power supply. |
| 5 | Is the power supply cable incorrectly wired, is there a faulty connection or are screws loose? | Connect the cable securely and correctly, and tighten the screws firmly. |
| 6 | Is there a faulty connection on the power supply terminals (TM1, TAB1, and TAB2)? | Connect the lead wires securely. |
| 7 | Is there a faulty connection on the reactor terminals (TAB3 and TAB4)? | Connect the lead wires securely. |
| 8 | Are the power supply indicator lamps (LED4 and LED6, red) lit? | Check the above items. |

② Transmission cables (remote controller transmission cable, and external input/output signal cable)

| No. | Check Item | Corrective action |
|-----|--|--|
| 1 | Are the designated cables used for the remote controller transmission cable? (See Table 2-1.) | Use the designated transmission cables. |
| 2 | Are the designated cables used for the external input/output signal cable? (See Table 2-2.) | Use the designated cables. |
| 3 | Are the transmission cables wired using multicore cables? | Use the designated transmission cables. |
| 4 | Are multiple transmission cables wired in the same piping duct? | Wire the transmission cable away from one another. |
| 5 | Is the power supply cable wired at least 5 cm away from transmission cables? | Wire the power supply cable at least 5 cm away from the transmission cables. |
| 6 | Are the transmission cables connected to the designated terminal block? (See Table 2-1.) | Connect the transmission cables to the designated terminal blocks. |
| 7 | Are the transmission cables incorrectly wired, is there a faulty connection or are screws loose? | Connect the cable securely and correctly, and tighten the screws firmly. |
| 8 | Is the wiring length of the transmission cable within the regulations? (See Table 2-1.) | Wire the cables within the regulations. |
| 9 | Does the external input signal match the specifications? (See Table 2-2.) | Input the signal that matches the specifications. |
| 10 | Is the external input signal input to the Lossnay set as the main Lossnay? | Input the signal to the Lossnay set as the main Lossnay (SW5-10 ON). |
| 11 | Is the function selection for the external output signal set correctly? | Set the function selection switches (SW2-8, 5-2, and 5-6) on the circuit board correctly. Set the function settings (No. 57 and 58) of PZ-61DR-E correctly. |

Table 2-1

Remote controller transmission cable specifications

| Cable | PZ-61DR-E or PZ-43SMF-E transmission cable |
|-----------------|--|
| Type | Sheathed cable |
| Number of cores | 2-core cable |
| Cable diameter | 0.3 mm ² (AWG22) |
| Total extension | 200 m |
| Terminal block | TM4 ① ② |

Table 2-2 External input/output specifications

| Function Name | Terminal or connector on the circuit board | Signal specifications | Materials Used | Total extension |
|---|--|-----------------------|---|-----------------|
| External control input (volt-free contact) | TM2 ①③ | Level/pulse (Note 1) | Single-lead 0.8 to 1.2 mm dia. or twisted lead 0.5 to 1.5 mm ² | 500 m |
| External control input (12 V DC, 24 V DC) | TM2 ①② | Level/pulse (Note 1) | Single-lead 0.8 to 1.2 mm dia. or twisted lead 0.5 to 1.5 mm ² | (Note 2) |
| Remote/local switching | CN32 ①③ | Level (Note 1) | Remote ON/OFF adaptor (PAC-SE55RA-E) | 10 m |
| Remote ON/OFF input | CN32 ①② | | | |
| Fan speed 4 input (volt-free contact) | CN17 ①② | Level (Note 1) | Remote display adaptor (PAC-SA88HA-E) | |
| Fan speed 3 input (volt-free contact) | CN17 ①③ | | | |
| Fan speed 2 input (volt-free contact) | CN17 ①④ | | | |
| Fan speed 1 input (volt-free contact) | CN17 ①⑤ | | | |
| Bypass mode input (volt-free contact) *Only when P-133DUE-E is installed | CN26 ①② | | | |
| Fan speed switching input (0 to 10 V DC) | CN26 ④⑤ | Analog | | |

<Caution>

- When connecting two Lossnay units and using external input/output, input the signals to the Lossnay (SW5-10 ON, with the smallest address setting) set as the main Lossnay.

(Note 1) The input signal must conform to the following specifications:

Level signal Volt-free contact, 12 V DC, 24 V DC, the duration of ON and OFF should be 10-second or more.

Pulse signal Volt-free contact, 12 V DC, 24 V DC, the duration of ON should be 200 msec. or more, and minimum 10-second absence is necessary to the next pulse .

In the case of relay contact input, use a relay having a contact rating of 15 V DC/0.1 A or higher and a minimum applicable load of 1 mA or less.

(Note 2) Check the specifications of the external device.

③ Monitor output signal cable

| No. | Check Item | Corrective action |
|-----|--|---|
| 1 | Is the signal cable wired by multicore cable? | Wire the cable using a 2-core cable. |
| 2 | Are the signal cables and transmission cables wired in the same piping duct? | Wire the signal cables away from the transmission cables. |
| 3 | Is the power supply cable wired at least 5 cm away from signal cables? | Wire the power supply cable at least 5 cm away from the signal cables. |
| 4 | Is the signal cable connected to the designated terminal block? (See Table 3-1.) | Connect the signal cable to the designated terminal block. |
| 5 | Is the signal cable incorrectly wired, is there a faulty connection or are screws loose? | Connect the cable securely and correctly, and tighten the screws firmly. |
| 6 | Is the output capacity of the signal cable within rating? (See Table 3-1.) | Use the signal cable within rating. |
| 7 | Is the function selection for the external output signal set correctly? | Set the function selection switches (SW2-8, 5-2, and 5-6) on the circuit board correctly. Set the function settings (No. 57 and 58) of PZ-61DR-E correctly. (See the Lossnay technical manual.) |

Table 3-1 Monitor Output Specifications

| Terminal block | TM3 ⑨⑩ | TM3 ⑧⑩ | TM3 ⑦⑩ |
|-----------------------|-----------------------------------|---------------------|----------------|
| Function Name | Operation monitor After-heater | Malfunction monitor | Bypass monitor |
| Signal specifications | Volt-free contact | | |
| Output rating | 240 V AC, 1 A | | |
| | 24 V DC, 1 A | | |
| Min. applicable load | 220 V AC, 100 mA | | |
| | 5 V DC, 100 mA | | |

④ Function setting (See the Lossnay technical manual for details.)

| No. | Check Item | Corrective action |
|-----|--|--|
| 1 | Is the main Lossnay set correctly? | Check the function selection switch (SW5-10) on the circuit board. When an external signal is input to two Lossnay units, set one of the units as the main Lossnay (SW5-10 ON). |
| 2 | Are the function selection switches on the circuit board set correctly to suit the required application? | Set the function selection switches (SW2 and SW5) on the circuit board correctly. |
| 3 | Is the applicable model used as the Lossnay remote controller? | Use PZ-61DR-E or PZ-43SMF-E. (The air conditioner remote controller including PAR-31MAA cannot be used.) |
| 4 | When PZ-61DR-E is used, are the function selections set correctly to suit the required application? | Set the function selections correctly. |
| 5 | Was a function set with the function selection switches on the circuit board after the function is set with PZ-61DR-E? | Set the function again with PZ-61DR-E. For the function that can be set with both PZ-61DR-E and the function selection switches, if the function is set to other than "DIP-SW priority" with PZ-61DR-E, setting with the function selection switches is disabled. |

⑤ LED Indications on the circuit board

| No. | LED | Contents | Check Item | Corrective action |
|-----|-----------------|--|---|---|
| 1 | LED1 (green) | Lossnay main unit error indicator | Blinking: Starting up, or error occurred | See Failure Mode 5. |
| | | | Lit: During delay operation | Lossnay operates after the delay time has passed. |
| | | | Unlit: Other than above | It is normal. |
| 2 | LED2 (red) | M-NET System error indicator | Unlit | It is normal. |
| 3 | LED3 (green) | Remote control- ler power supply indicator | Lit: Power supplied to the remote controller (Main Lossnay) | The LED goes out when power is supplied to the remote controller from another Lossnay unit in the case of using two Lossnay units. |
| | | | Unlit: Power not supplied to the remote controller (Sub Lossnay) | |
| 4 | LED4 (red) | Power supply indicator (control circuit board) | Check that this LED is lit | The LED lights while power is being supplied to the control circuit board. |
| 5 | LED6 (red) | Power supply indicator (power circuit board) | Check that this LED is lit | The LED lights while power is being supplied to the power circuit board. (Do not touch components on the circuit board when the LED is lit.) |

● **Individual function check items**

If Lossnay does not work in the trial operation after installation is completed, or if Lossnay works abnormally during use, check the following items.

| No. | Problem | Factor | Corrective action |
|-----|--|--|--|
| 1 | The fan does not operate even though the trial operation switch (SW2-1) on the circuit board is turned ON. | The connectors between the fan motor and circuit board is disconnected. | Check the connector (CN9) for the exhaust fan motor and the connector (CN10) for the supply fan motor. |
| | | The connector between the control circuit board and power circuit board is disconnected. | Check the connector connections (CN18-CN118 and CN19-CN119). |
| | | The temperature around the product is high. | Use the product at a temperature of 40°C or lower. |
| | | Fan motor failure | Check the resistance between the motor leads. (See chapter 7. (8) Motor resistance table (page 28).) If the measured value is significantly different from the values specified in the table, replace the fan motor. |
| | | Circuit board failure | Disconnect the connectors (CN9 and CN10), and check the output voltage of each pin of the connectors within one minute after turning the switch (SW2-1) ON. (One minute later, the error will occur.) (See chapter 6. (2) Power circuit board (page 11).) If the voltage value is abnormal, replace the circuit board. If the problem persists, replace the fan motor. |
| 2 | Though the remote controller display indicates the fan is running, the fan stops by itself. | The Lossnay unit is operating in the protective mode (intermittent operation). | When PZ-61DR-E is used, it displays the icon "⚠" that indicates the protective operation is in-progress. For details, see the remote controller manual. |
| | | The Lossnay unit is set to the delay operation. | When PZ-61DR-E is used, it displays the icon "⌚" that indicates the delay operation is in-progress. LED1 (green) on the control circuit board lights. Lossnay operates in 30 minutes (or 15 minutes) after the external signal is input to run. Check the function selection switch (SW5-1) on the circuit board or the function setting (No. 9) of PZ-61DR-E. (See the Lossnay technical manual.) |
| | | The temperature around the product is high. | When the ambient temperature of the product is high (higher than 40°C), the fan may stop to prevent the fan motor from overheating. |
| 3 | The fan does not stop even though the remote controller is operated to stop operation. | The after-heater is set to be used. | If the after-heater is set to be used, the fan continues operating for three minutes after the stop operation. Check the function selection switches (SW2-8 and 5-2) on the circuit board or the function settings (No. 57 and 58) of PZ-61DR-E. (See the Lossnay technical manual.) |

| No. | Problem | Factor | Corrective action |
|-----|---|--|--|
| 4 | Even though the remote controller is operated to change the fan speed, the fan speed does not change. | The indoor negative pressure setting or the indoor positive pressure setting is set. | Check the function selection switches (SW2-4 and 2-5) on the circuit board or the function settings (No. 6 and 7) of PZ-61DR-E. (See the Lossnay installation manual.) |
| | | The external fan speed input is set. (CN17) | When PZ-61DR-E is used, it displays the icon "🌀". Check the fan speed switching input (CN17). |
| | | The external fan speed input is set. (CN26) | When PZ-61DR-E is used, it displays the icon "🌀". Check the function selection switches (SW2-3 and 2-6) on the circuit board or the function setting (No. 63) of PZ-61DR-E. (See the Lossnay technical manual.) |
| | | The system is operating in the protective mode (intermittent operation). | When PZ-61DR-E is used, it displays the icon "🛑" that indicates the protective operation is in-progress. For details, see the remote controller manual. |
| 5 | The fan operation is unstable. | The motor rotation speed is under control. | This product controls the motor by detecting the motor rotation speed. The fan operation may be unstable during rotation speed control (for maximum about 10 minutes). |
| 6 | The damper does not operate even though the trial operation switch (SW2-1) on the circuit board is turned ON. *Only when the air duct switching damper (P-133DUE-E) is installed. | The connector between the geared motor and circuit board is disconnected. | Check the connection of the connector (CN7) on the power circuit board. |
| | | The air duct switching damper selector (SW6) is not set correctly. | Turn off the switch (SW6-1). When operating two Lossnay units, turn off the switch (SW6-1) of both Lossnay units. |
| | | Geared motor failure of the air duct switching damper | Turn the trial operation switch (SW2-1) ON. The geared motor operates in about several seconds. If the geared motor does not operate, replace the geared motor. (For details about the air duct switching damper, see the handbook for P-133DUE-E.) |
| | | Circuit board failure of the Lossnay unit | Disconnect the connector (CN7) from the power circuit board and check the voltage value between the pins of CN7 when the trial operation switch (SW2-1) is turned ON. (Voltage is output in about several seconds after switch ON.) If there is no voltage value, replace the circuit board. If the problem persists, replace the geared motor of the air duct switching damper. (See the handbook for P-133DUE-E.) |
| 7 | Even though the remote controller is operated to change the ventilation mode, the ventilation mode is not changed. *Only when the air duct switching damper (P-133DUE-E) is installed. | The outdoor temperature is 8°C or lower. | When the outdoor temperature is 8°C or lower, the ventilation mode is fixed to the Heat recovery mode. |
| | | The signal is input to the Bypass mode switching input (CN26 ① ②). | Check the Bypass mode switching input (CN26 ① ②). (See the Lossnay technical manual.) |

| No. | Problem | Factor | Corrective action | | | | | | | | | | | | | | | |
|--|---|---|---|-------|-------|-------|-------|-------|--------------------|----|----|----|----|-----------------|-----|----|----|----|
| 8 | The ventilation mode cannot be switched when Lossnay is operating in the automatic mode. *Only when the air duct switching damper (P-133DUE-E) is installed. | Temperature condition for Heat recovery mode or Bypass mode is not satisfied. | Check the temperature map. For details, see the Lossnay installation manual. | | | | | | | | | | | | | | | |
| | | Temperature condition is not set correctly. | Set the lower limit to temperatures lower than that of the upper limit. | | | | | | | | | | | | | | | |
| | | It has not passed 30 minutes since the ventilation mode is switched. | Switching of the ventilation mode is controlled in 30 minutes cycle. | | | | | | | | | | | | | | | |
| | | The outdoor temperature is 8°C or lower. | When the outdoor temperature is 8°C or lower, the ventilation mode is fixed to the Heat recovery mode. | | | | | | | | | | | | | | | |
| | | The signal is input to the Bypass mode switching input (CN26 ① ②). | Check the Bypass mode switching input (CN26 ① ②). (See the Lossnay technical manual.) | | | | | | | | | | | | | | | |
| 9 | The Lossnay unit generates abnormal sounds or vibrations. | Fan operation failure | Set the supply/exhaust fan power up setting. (See the Lossnay installation manual.) | | | | | | | | | | | | | | | |
| | | The filters (filter assemblies) are not securely installed. | Check that the filters (filter assemblies) are securely installed. | | | | | | | | | | | | | | | |
| | | Filters are clogged. | Clean the filters. | | | | | | | | | | | | | | | |
| | | The Lossnay unit is not securely installed. | Check that the Lossnay unit is securely installed. | | | | | | | | | | | | | | | |
| | | The ceiling suspension fixtures (hangers) or anchor bolts are loosened. | Retighten the ceiling suspension fixtures (hangers) or anchor bolts. | | | | | | | | | | | | | | | |
| | | The ducts are not securely connected. | Check that the ducts are securely connected. | | | | | | | | | | | | | | | |
| | | Foreign matter is stuck to the centrifugal fans. | Remove the foreign matter. It may lose the balance of the centrifugal fan. | | | | | | | | | | | | | | | |
| | | The Lossnay unit generates sounds at the time of the ventilation mode switching. *Only when the air duct switching damper (P-133DUE-E) is installed. | When ventilation mode has been changed, the air duct switching damper makes operating sounds. It is normal. | | | | | | | | | | | | | | | |
| 10 | Air volume is too small. | Is the air filter clogged? | Clean the air filter. | | | | | | | | | | | | | | | |
| | | Pressure loss in the duct is too high. | Set the supply/exhaust fan power up setting. (See the Lossnay technical manual.) | | | | | | | | | | | | | | | |
| | | The air duct switching damper selector (SW6) is not set correctly after the circuit board is replaced. | Make the switch (SW6) setting appropriate for the model. <table border="1" data-bbox="906 1563 1469 1682"> <thead> <tr> <th></th> <th>SW6-1</th> <th>SW6-2</th> <th>SW6-3</th> <th>SW6-4</th> </tr> </thead> <tbody> <tr> <td>Without the damper</td> <td>ON</td> <td>ON</td> <td>ON</td> <td>ON</td> </tr> <tr> <td>With the damper</td> <td>OFF</td> <td>ON</td> <td>ON</td> <td>ON</td> </tr> </tbody> </table> | | SW6-1 | SW6-2 | SW6-3 | SW6-4 | Without the damper | ON | ON | ON | ON | With the damper | OFF | ON | ON | ON |
| | | | SW6-1 | SW6-2 | SW6-3 | SW6-4 | | | | | | | | | | | | |
| | | Without the damper | ON | ON | ON | ON | | | | | | | | | | | | |
| With the damper | OFF | ON | ON | ON | | | | | | | | | | | | | | |
| The indoor negative pressure setting or the indoor positive pressure setting is set. | Check the function selection switches (SW2-4 and 2-5) on the circuit board or the function settings (No. 6 and 7) of PZ-61DR-E. (See the Lossnay technical manual.) | | | | | | | | | | | | | | | | | |
| Power supply voltage is low. | Check the power supply voltage. | | | | | | | | | | | | | | | | | |

(2) Failure mode 2: The remote controller does not work.

If the remote controller does not work after installation is completed, check the following items.

①PZ-61DR-E

| No. | Problem | Factor | Corrective action |
|-----|---|---|---|
| 1 | Nothing is displayed on the remote controller. The ON/OFF lamp does not blink. | The power of the Lossnay unit is not ON. | Check the items described in (1) ①. |
| | | Faulty connection of the remote controller transmission cable | Check the items described in (1) ②. |
| | | Three or more Lossnay units are connected. | Only up to two Lossnay units can be connected. |
| | | The wiring length of the remote controller exceeds 200 m. | The wiring length of the remote controller shall be within 200 m. |
| | | When connecting with two Lossnay units, both Lossnay units are set as the main Lossnay (SW5-10 ON). | Only one Lossnay unit can be set as the main Lossnay. |
| 2 | The remote controller continues to display "Please Wait". Error code "6831" is displayed. | The remote controller is starting up. | The remote controller displays "Please Wait" during start-up for maximum four minutes. |
| | | Faulty connection of the remote controller transmission cable | Check the items described in (1) ②. |
| | | PZ-43SMF-E is used together. | PZ-61DR-E and PZ-43SMF-E cannot be used together. |
| 3 | It takes time for the remote controller to be fed with power after turning the Lossnay unit ON. | The Lossnay unit is starting up. | The remote controller is not fed with power during start-up of the Lossnay unit for maximum one minute. |

②PZ-43SMF-E

| No. | Problem | Factor | Corrective action |
|-----|---|---|--|
| 1 | The power indicator "●" is not displayed. | The power of the Lossnay unit is not ON. | Check the items described in (1) ①. |
| | | Faulty connection of the remote controller transmission cable | Check the items described in (1) ②. |
| | | Three or more Lossnay units are connected. | Only up to two Lossnay units can be connected. |
| | | The wiring length of the remote controller exceeds 200 m. | The wiring length of the remote controller shall be within 200 m. |
| | | When connecting with two Lossnay units, both Lossnay units are set as the main Lossnay (SW5-10 ON). | Only one Lossnay unit can be set as the main Lossnay. |
| 2 | "H0" is displayed on the remote controller. | The remote controller is starting up. | The remote controller displays "H0" during start-up for a maximum of one minute. |
| 3 | It takes time for the remote controller to be fed with power after turning the Lossnay unit ON. | The Lossnay unit is starting up. | The remote controller is not fed with power during start-up of the Lossnay unit for a maximum of one minute. |
| 4 | The inspection number "6801" is displayed on the remote controller. | Faulty connection of the remote controller transmission cable | Check the items described in (1) ②. |
| | | PZ-61DR-E is used together. | PZ-43SMF-E and PZ-61DR-E cannot be used together. |

(3) Failure mode 3: Operations on the remote controller are disabled.

● Initial Check Items

If the system cannot be operated with the remote controller after installation is completed, check the following items.

| No. | Check item | Notes |
|-----|--|---|
| 1 | Are the function selection switches (SW2 and SW5) on the Lossnay circuit board set correctly to suit the required application? | Depending on the settings of the function selection switches, Lossnay may automatically operate or stop, or specific operation may be unable to be performed with the remote controller. |
| 2 | When PZ-61DR-E is used, are the function selections set correctly to suit the required application? | Depending on the settings of the function selections, Lossnay may automatically operate or stop, or specific operation may be unable to be performed with the remote controller. |
| 3 | When PZ-61DR-E is used, are icons and characters displayed on the PZ-61DR-E screen? | Based on the icon and characters, you can check statuses such as the timer operation and protective operation. (See the Lossnay installation manual or remote controller manual.) |
| 4 | Is the external input used? | If the interlock mode is set to the "External input priority ON/OFF interlock" and if the external device is operating, the stop operation by PZ-61DR-E is prohibited. (See the Lossnay technical manual.) If the Remote/Local switching (CN32) is set to remote, the start/stop operation by the Lossnay remote controller is prohibited. (See the Lossnay technical manual.) Priority is given to the operation by the fan speed switching input (CN17) and Bypass mode switching input (CN26, only when P-133DUE-E is installed). (See the Lossnay technical manual.) |

● Individual check items

If the system cannot be started/stopped using the remote controller after installation is completed, check the following items.

① PZ-61DR-E

| No. | Problem | Factor | Corrective action |
|-----|---|---|---|
| 1 | When connecting with two Lossnay units, either one or both of Lossnay units do not operate. | The power of the Lossnay unit is not ON. | Check the items described in (1) ①. |
| | | Faulty connection of the remote controller transmission cable | Check the items described in (1) ②. |
| | | The remote controller transmission cables are not correctly connected between the terminals (TM4 ① ②) of the Lossnay units. | Connect the remote controller transmission cables correctly between the terminals (TM4 ① ②) of the Lossnay units. |
| | | The system is operating in the protective mode (intermittent operation). | For details, see the Lossnay technical manual. |
| 2 | The screen display of the remote controller changes by itself. Even if you press the buttons, the screen returns to the original screen right away. | Faulty connection of the remote controller transmission cable | Check the items described in (1) ②. |
| 3 | The outdoor temperature display of PZ-61DR-E blink. | The outdoor temperature is outside the measurement range. | In the following cases, the temperature display blinks. Outdoor temperature: 0°C or lower, 38°C or higher |

②Interlocking with external devices

| No. | Problem | Factor | Corrective action |
|--|--|--|--|
| 1 | Lossnay interlock settings cannot be performed with the remote controller. | The power of the Lossnay unit is not ON. | Check the items described in (1) ①. |
| | | Faulty connection of the remote controller transmission cable | Check the items described in (1) ②. |
| 2 | Lossnay does not perform interlock operation. | The power of the Lossnay unit is not ON. | Check the items described in (1) ①. |
| | | Faulty connection of the remote controller transmission cable or external input/output signal cables | Check the items described in (1) ②. |
| | | The Lossnay unit is not set for interlock operation. | Set the interlock setting. |
| | | The terminal block connected and the type of external signal do not match (charged or volt-free) | Check the type of external signal and the connections of the external control input terminal (TM2). |
| | | The type of external signal and input setting do not match (level signal or pulse signal). | Check the type of external signal and the setting of the input (level or pulse). (See the Lossnay technical manual.) |
| | | The Lossnay unit is set to the delay operation. | When PZ-61DR-E is used, it displays the icon "Ⓜ" that indicates the delay operation is in-progress. LED1 (green) on the control circuit board lights. The Lossnay unit starts operation in 30 minutes (or 15 minutes) after starting operation by the external signal. Check the function selection switch (SW5-1) on the circuit board or the function setting (No. 9) of PZ-61DR-E. (See the Lossnay technical manual.) |
| | | The interlock mode of the Lossnay unit is set to "ON Interlock" or "OFF Interlock". | Check the interlock mode setting. (See the Lossnay technical manual.) |
| | | When using two Lossnay units, no Lossnay unit is set to the main Lossnay. When using two Lossnay units, external control signal is input to a Lossnay unit other than the main Lossnay. | When using two Lossnay units, set one Lossnay unit as the main Lossnay (SW5-10 ON) to input external control signal. (See the Lossnay technical manual.) |
| The Lossnay unit is operating in the protective mode (intermittent operation). | For details, see the Lossnay technical manual. | | |

(4) Failure mode 4: Lossnay does not work properly.

● Initial Check Items

If Lossnay does not work properly after installation is completed, check the following items.

| No. | Check item | Notes |
|-----|--|---|
| 1 | Are the function selection switches (SW2 and SW5) on the Lossnay circuit board set correctly to suit the required application? | Depending on the settings of the function selection switches, Lossnay may automatically operate or stop, or specific operation may be unable to be performed with the remote controller. |
| 2 | When PZ-61DR-E is used, are the function selections set correctly to suit the required application? | Depending on the settings of the function selections, Lossnay may automatically operate or stop, or specific operation may be unable to be performed with the remote controller. |
| 3 | When PZ-61DR-E is used, are icons and characters displayed on the PZ-61DR-E screen? | Based on the icon and characters, you can check statuses such as the timer operation and protective operation. (See the Lossnay installation manual or remote controller manual.) |
| 4 | Is the external input used? | If the interlock mode is set to the "External input priority ON/OFF interlock" and if the external device is operating, the stop operation by PZ-61DR-E is prohibited. (See the Lossnay technical manual.) If the Remote/Local switching (CN32) is set to remote, the start/stop operation by the Lossnay remote controller is prohibited. (See the Lossnay technical manual.) Priority is given to the operation by the fan speed switching input (CN17) and Bypass mode switching input (CN26, only when P-133DUE-E is installed). (See the Lossnay technical manual.) |

● Individual check items

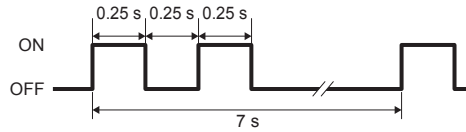
If Lossnay does not work after installation is completed, check the following items.

| No. | Problem | Factor | Corrective action |
|-----|--|--|---|
| 1 | Actual fan speed of the Lossnay unit differs from the fan speed set with the remote controller. | The signal is input to the fan speed input (CN17). | Check the fan speed input (CN17). (See the Lossnay technical manual.) |
| | | The signal is input to the fan speed switching input (CN26 ④ ⑤). | Check the fan speed switching input (CN26 ④ ⑤). (See the Lossnay technical manual.) |
| | | Function setting (No. 8) of PZ-61DR-E "Max. fan speed setting during the first 30 minutes" is enabled. | Lossnay operates at fan speed 4 for 30 minutes when operation starts. (See the Lossnay technical manual.) |
| | | The indoor negative pressure setting or the indoor positive pressure setting is set. | Check the function selection switches (SW2-4 and 2-5) on the circuit board or the function settings (No. 6 and 7) of PZ-61DR-E. (See the Lossnay installation manual.) |
| | | The system is operating in the protective mode (intermittent operation). | When PZ-61DR-E is used, it displays the icon "⚠" that indicates the protective operation is in-progress. For details, see the remote controller manual. |
| 2 | Even though the remote controller is operated to change the ventilation mode, the ventilation mode is not changed. | The outdoor temperature is 8°C or lower. | When the outdoor temperature is 8°C or lower, the ventilation mode is fixed to the Heat recovery mode. |
| | | The signal is input to the Bypass mode switching input (CN26 ① ②). | Check the Bypass mode switching input (CN26 ① ②). (See the Lossnay technical manual.) |

(5) Failure mode 5: Error code and LED display

An error code displayed on the remote controller (PZ-61DR-E or PZ-43SMF-E) and blinking or illumination of LED1 (green) on the circuit board show the type of an error.

The LED blink interval is 0.25 seconds for both on and off. The display duration is approximately 7 seconds.



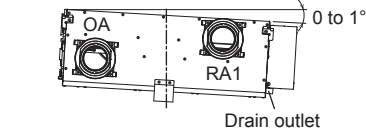
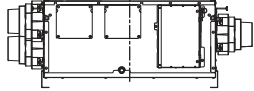
Error display example: Two blinks

Error display list

| Error Code | LED1 (green) | Symptom | Cause | Corrective action | |
|-------------------|--|---|---|---|------------------------|
| 0900 | — | Trial operation | The trial operation switch (SW2-1) on the circuit board is set to "ON". | Check the trial operation switch. (See the Lossnay installation manual.) | |
| 4101 | 11 blinks | Overcurrent error of the remote controller terminal | Shorting between remote controller terminals | Check the remote controller wiring. | |
| | | | Two Lossnay units are set as the main Lossnay (SW5-10 ON). | Only one Lossnay unit can be set as the main Lossnay. (See the Lossnay technical manual.) | |
| | | | Circuit board failure | Replace the circuit board. | |
| | | | Remote controller failure | Replace the remote controller. | |
| 4116 | 1 blink | Abnormal rotation of the supply fan motor (Centrifugal fan does not work, insufficient motor speed, excessive motor speed, or rotation detected when operation is stopped) | Faulty connection of the supply fan motor connector (CN10) on the power circuit board | Check the connector (CN10) connection. | |
| | | | Faulty connection of the connectors (CN18 - CN118 and CN19 - CN119) between the control circuit board and power circuit board | Check the connector connections (CN18 - CN118 and CN19 - CN119). | |
| | | | The temperature around the product is high. | Use the product at a temperature of 40°C or lower. | |
| | | | The motor and centrifugal fan are not fixed securely. | Check the installation state of the motor and centrifugal fan, and fix them securely. | |
| | | | Deformed centrifugal fan | Replace the centrifugal fan. | |
| | | | Foreign objects around the centrifugal fan | Check the air course and around the centrifugal fan, and remove any foreign matter. | |
| | | | Fan motor failure | Replace the fan motor. | |
| | | | Circuit board failure | Replace the circuit board. | |
| | 2 blinks | Abnormal rotation of the exhaust fan motor (Centrifugal fan does not work, insufficient motor speed, excessive motor speed, or rotation detected when operation is stopped) | Faulty connection of the exhaust fan motor connector (CN9) on the power circuit board | Check the connector (CN9) connection. | |
| | | | Faulty connection of the connectors (CN18 - CN118 and CN19 - CN119) between the control circuit board and power circuit board | Check the connector connections (CN18 - CN118 and CN19 - CN119). | |
| | | | The temperature around the product is high. | Use the product at a temperature of 40°C or lower. | |
| | | | The motor and centrifugal fan are not fixed securely. | Check the installation state of the motor and centrifugal fan, and fix them securely. | |
| | | | Deformed centrifugal fan | Replace the centrifugal fan. | |
| Fan motor failure | Foreign objects around the centrifugal fan | Fan motor failure | Check the air course and around the centrifugal fan, and remove any foreign matter. | | |
| | | | | Circuit board failure | Replace the fan motor. |
| | | | | | |

| Error Code | LED1 (green) | Symptom | Cause | Corrective action | | | | | | | | | | | | | | | |
|--------------------|--------------|--|--|--|--|-------|-------|-------|-------|--------------------|----|----|----|----|-----------------|-----|----|----|----|
| 5101 | 4 blinks | Outdoor air (OA) thermistor related error | Faulty connection of the thermistor connector (CN22) on the control circuit board | Check the connector (CN22) connection. | | | | | | | | | | | | | | | |
| | | | Thermistor failure | Disconnect the connector (CN22), and check the resistance of the thermistor. If the equivalent thermistor resistance differs greatly from the ambient temperatures, replace the thermistor. (See (7) Temperatures and thermistor resistance table (page 28).) | | | | | | | | | | | | | | | |
| 6801 | 9 blinks | PZ-43SMF-E communication error | Multiple PZ-43SMF-E transmission cables are wired using multicore cables. | Using the applicable cable, wire the transmission cable away from one another. | | | | | | | | | | | | | | | |
| | | | The power supply cable is too close to the PZ-43SMF-E transmission cable. | Wire the power supply cable at least 5 cm away from the transmission cable. | | | | | | | | | | | | | | | |
| | | | Faulty connection of the PZ-43SMF-E transmission cable | Check the transmission cable connections. | | | | | | | | | | | | | | | |
| | | | The wiring length of the PZ-43SMF-E transmission cable is longer than specified (200 m or more). | Check the wiring length of the transmission cable. | | | | | | | | | | | | | | | |
| 6831 | 9 blinks | PZ-61DR-E communication error (no reception) | Faulty connection of the PZ-61DR-E transmission cable | Check the items described in (1) ②. If the error re-occurs, check for noise on the transmission cable. If the above does not correct the problem, replace the Lossnay circuit board or PZ-61DR-E remote controller. | | | | | | | | | | | | | | | |
| 6832 | 9 blinks | PZ-61DR-E communication error (synchronization recovery error) | Faulty connection of the PZ-61DR-E transmission cable | Check the items described in (1) ②. If the error re-occurs, check for noise on the transmission cable. If the above does not correct the problem, replace the Lossnay circuit board or PZ-61DR-E remote controller. | | | | | | | | | | | | | | | |
| 6833 | 9 blinks | PZ-61DR-E communication error (hardware error) | Faulty connection of the PZ-61DR-E transmission cable | Check the items described in (1) ②. If the error re-occurs, check for noise on the transmission cable. If the above does not correct the problem, replace the Lossnay circuit board or PZ-61DR-E remote controller. | | | | | | | | | | | | | | | |
| 6834 | 9 blinks | PZ-61DR-E communication error (start bit detection error) | Faulty connection of the PZ-61DR-E transmission cable | Check the items described in (1) ②. If the error re-occurs, check for noise on the transmission cable. If the above does not correct the problem, replace the Lossnay circuit board or PZ-61DR-E remote controller. | | | | | | | | | | | | | | | |
| 7113 | 10 blinks | Function setting error | Two Lossnay units are set as the main Lossnay (SW5-10 ON). | Only one Lossnay unit can be set as the main Lossnay. (See the Lossnay technical manual.) | | | | | | | | | | | | | | | |
| | | | The air duct switching damper selector (SW6) is not set correctly. | Make the switch (SW6) setting appropriate for the model. | | | | | | | | | | | | | | | |
| | | | | <table border="1"> <thead> <tr> <th></th> <th>SW6-1</th> <th>SW6-2</th> <th>SW6-3</th> <th>SW6-4</th> </tr> </thead> <tbody> <tr> <td>Without the damper</td> <td>ON</td> <td>ON</td> <td>ON</td> <td>ON</td> </tr> <tr> <td>With the damper</td> <td>OFF</td> <td>ON</td> <td>ON</td> <td>ON</td> </tr> </tbody> </table> | | SW6-1 | SW6-2 | SW6-3 | SW6-4 | Without the damper | ON | ON | ON | ON | With the damper | OFF | ON | ON | ON |
| | SW6-1 | SW6-2 | SW6-3 | SW6-4 | | | | | | | | | | | | | | | |
| Without the damper | ON | ON | ON | ON | | | | | | | | | | | | | | | |
| With the damper | OFF | ON | ON | ON | | | | | | | | | | | | | | | |

(6) Failure mode 6: Water leaks from the Lossnay unit.

| No. | Problem | Factor | Corrective action |
|--|--|---|--|
| 1 | Water leaks from the Lossnay unit. | Is the drain pipe tilted downward at an angle of 1° or more? | Tilt the drain pipe at an angle of 1° or more. |
| | | Is the drain hose securely connected? | Connect the drain hose securely. |
| | | Is the drain pan clogged with dust? | Remove dust. |
| | | Is the drain pipe insulated for prevention from freezing? | Insulate the drain pipe securely. |
| | | Is the Lossnay unit installed at the angle as shown below? | Install the Lossnay unit as shown in the left diagram. |
| | | <p>Drain outlet direction Tilt 0 to 1° towards drain discharge side</p>  <p>Duct connecting flange direction Horizontal (within ±1°)</p>  | |
| Does dew condense on the exterior surface? | <ul style="list-style-type: none"> • Check that the Lossnay unit and duct pipe are installed on the interior side of the insulating layer in the attic. • Check that the duct and drain pipes are insulated. | | |
| 2 | Water leaks from the duct pipe. | Is each duct pipe tilted toward the outside for 1/30 or more? | Tilt each duct pipe for 1/30 or more. |
| | | Is the duct connecting flange insulated up to the base? | Follow the installation manual and insulate the duct connecting flange securely. |
| | | Is the duct securely connected to the Lossnay unit and duct connecting flange? | Connect the duct securely. |

*For details of drain and duct pipes, see the installation manual.

(7) Temperatures and thermistor resistance table

| Temperature (°C) | Resistance value (kΩ) | Temperature (°C) | Resistance value (kΩ) | Temperature (°C) | Resistance value (kΩ) | Temperature (°C) | Resistance value (kΩ) | Temperature (°C) | Resistance value (kΩ) |
|------------------|-----------------------|------------------|-----------------------|------------------|-----------------------|------------------|-----------------------|------------------|-----------------------|
| -30 | 53.9 to ∞ | -7 | 18.0 | 8 | 9.5 | 23 | 5.4 | 38 | 3.1 |
| ⋮ | ⋮ | -6 | 17.2 | 9 | 9.2 | 24 | 5.1 | 39 | 3.1 |
| -20 | 32.8 | -5 | 16.5 | 10 | 8.8 | 25 | 5.0 | 40 | 3.0 |
| -19 | 31.2 | -4 | 15.7 | 11 | 8.5 | 26 | 4.8 | 41 | 2.8 |
| -18 | 29.8 | -3 | 15.1 | 12 | 8.1 | 27 | 4.7 | 42 | 2.7 |
| -17 | 28.4 | -2 | 14.5 | 13 | 7.8 | 28 | 4.5 | 43 | 2.7 |
| -16 | 27.1 | -1 | 13.8 | 14 | 7.6 | 29 | 4.3 | 44 | 2.6 |
| -15 | 25.8 | 0 | 13.3 | 15 | 7.3 | 30 | 4.2 | 45 | 2.5 |
| -14 | 24.7 | 1 | 12.8 | 16 | 7.0 | 31 | 4.0 | 46 | 2.4 |
| -13 | 23.6 | 2 | 12.2 | 17 | 6.7 | 32 | 3.9 | 47 | 2.3 |
| -12 | 22.5 | 3 | 11.7 | 18 | 6.5 | 33 | 3.7 | 48 | 2.2 |
| -11 | 21.5 | 4 | 11.2 | 19 | 6.3 | 34 | 3.6 | 49 | 2.2 |
| -10 | 20.6 | 5 | 10.7 | 20 | 6.0 | 35 | 3.5 | 50 | 2.1 |
| -9 | 19.7 | 6 | 10.3 | 21 | 5.8 | 36 | 3.4 | ⋮ | ⋮ |
| -8 | 18.8 | 7 | 10.0 | 22 | 5.6 | 37 | 3.2 | 90 | 0 to 0.7 |

* Measure the outdoor air (OA) thermistor resistance across pin No. 1 and 2 of CN22.

(8) Motor resistance table

⚠ Cautions:

- Before disconnecting the motor connectors, make sure that the power is turned OFF and the circuit board is discharged adequately.
- Even after the power supply is cut off, the capacitor is charged. Therefore, high voltage is applied to the motor for a while. Make sure that the LEDs on the circuit board are turned OFF before starting work.
- Never touch the circuit board while the power is ON. It causes electric shock and failure of the unit.

Replace the fan motor in the following cases.

- ① If it is hard to rotate the motor shaft by hand
- ② If the resistance between the motor leads is significantly different from the values specified in the table below

*Before measuring the resistance, the motor connectors must be disconnected from the circuit board.

| Lead color | Black-Red | Black-White | Black-Yellow | Black-Brown |
|-------------------|--------------|-------------|--------------|-------------|
| Normal resistance | About 440 MΩ | About 40 kΩ | About 90 kΩ | ∞ |

8. Before receiving repair requests

| Frequently asked question | Response |
|---|--|
| Lossnay does not operate. | ①If the breaker on the distribution board is turned off, turn it on. ②If the ON/OFF button on the remote controller is set to OFF, set it to ON. It takes one to four minutes for the remote controller to be fed with power after turning the Lossnay unit ON. |
| Operating noise has increased. | ①If the filters are not securely installed, re-install them. ②If the filters are clogged, clean them. ③When the outdoor hood is blocked, remove the obstacle. |
| The air volume is low. | If the filters are clogged, clean them. |
| Bubbling sound is heard from the Lossnay unit. | Dew condensation water in the drain pipe is sometimes sucked into wind pressure of the Lossnay unit and may not be easily discharged. Operate Lossnay at the low fan speed, and dew condensation water in the drain pipe will be easily discharged and the sound will stop. |
| Dew condensation water is pooled in the filter case. | Dew condensation water may be pooled depending on the use environment. It is normal. |
| The loudness of the operation sound differs in each room. | The loudness of the sound may be different depending on the pipe length in each room. It is normal. |
| The wind sometimes stops. | The system is operating in the protective mode (intermittent operation). It is normal. (See the Lossnay instruction manual.) |
| The air supply wind is cold. | The air supply wind becomes cold depending on the outside air condition. It is normal. |
| The ventilation mode cannot be switched. *Only when the air duct switching damper (P-133DUE-E) is installed. | When the outdoor temperature is 8°C or lower, the ventilation mode is fixed to the Heat recovery mode. |

9. Service inspection list

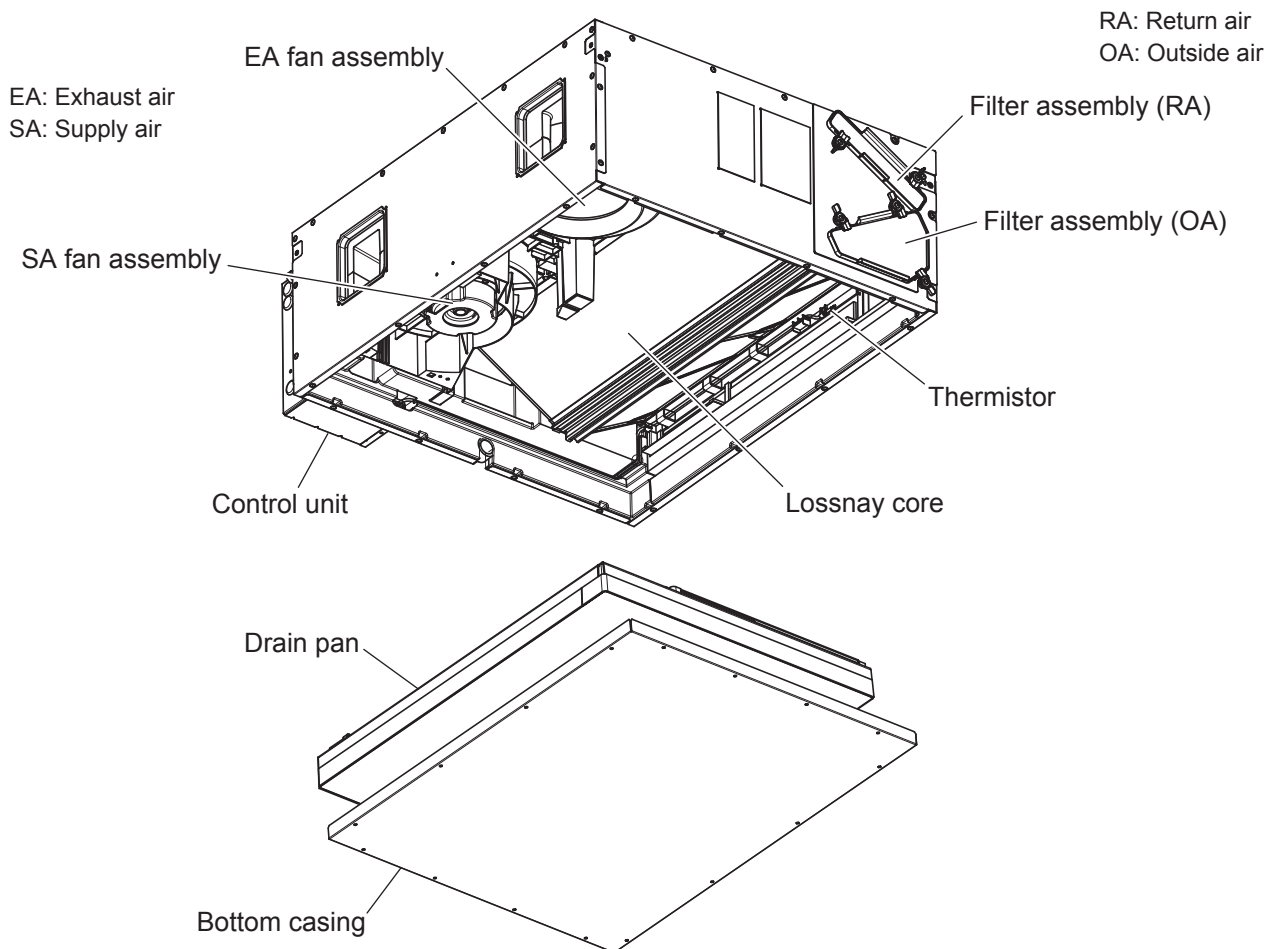
| Location | Inspection | Check Result |
|-----------------|---|--------------|
| Electric wiring | Is the power supply wire connected to the terminal block securely? | |
| | Is the wiring correct? | |
| Product | Is the main unit mounted securely? | |
| | Is the earth cable installed? | |
| | Does the product operate as described in the instruction manual when operating the remote controller? | |
| | Are the air supply fan and air exhaust fan operating? | |
| | Does the product operate without abnormal vibrations or noise? | |

10. Overhauling procedures

■ Work precautions

- Before replacing parts, repair troubled sections according to the instructions described in the troubleshooting.
 - When servicing, always keep proper footing.
 - When servicing, always turn off the power supply isolator. Pay sufficient attention to avoid electrical shock or injury. Even after the power supply isolator is turned off, the capacitor on the circuit board retains high voltage for a while. Therefore, before servicing, wait for at least five minutes, and then use a tester to check that the voltage has dropped.
 - Once the power supply is turned off, be sure to wait for at least five minutes before turning the power back on again.
 - When removing the circuit board, always hold it at both ends and remove carefully so as not to apply force to the surface mounted parts.
 - When removing the circuit board, be careful of the metal edges on the board.
 - When removing or inserting the connectors for the circuit board, hold the entire housing section. Never pull on the lead wires.
 - If it is thought that there is a circuit board malfunction, check for disconnected wires in the print pattern, burnt parts or discoloration.
 - If the circuit board is replaced, make sure that the switch settings on the new board are the same as the old board.
 - Always connect the power wire properly.
 - After completing repairs, check that the unit operates properly.
 - Always wear gloves when servicing.
- * The part names in the texts are standardized with the part names in the parts catalog. (There are some exceptions.)

<Internal view and major components>



(1) Turn off the power

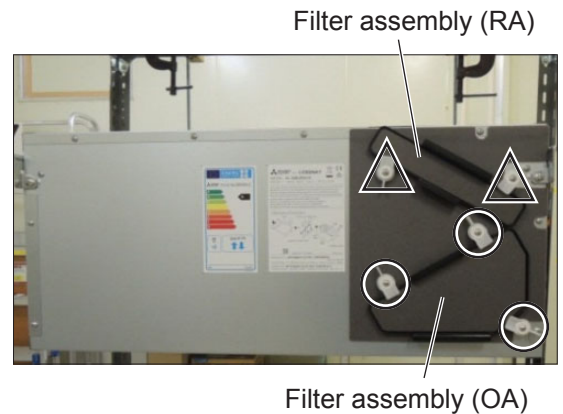
- ① Shut down the unit.
- ② Turn off the power supply isolator.

(2) Remove the filter assemblies

- ① Turn the fixing knobs (three locations at the OA side, indicated by ○) to remove the filter assembly (OA).
- ② Turn the fixing knobs (two locations at the RA side, indicated by △) to remove the filter assembly (RA).

Precaution

Dew condensation water and dust accumulating inside may fall. When removing the filter assemblies, be careful not to let dew condensation water and dust fall, and firmly support the filter case with both hands without tilting it.



(3) Remove the drain pan

- ① Remove the hose band that fixes the drain hose to the drain outlet, and then disconnect the drain hose.

Precaution

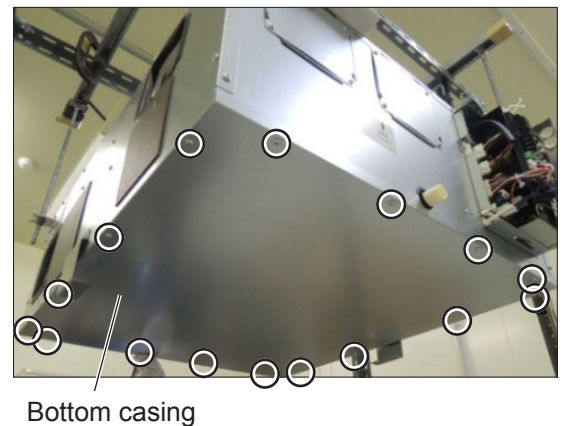
Drain water may be generated inside the drain outlet and drain hose. Therefore, when disconnecting the drain hose, be careful not to let drain water spill.

Tightening torque:
1.47 to 2.94 N·m

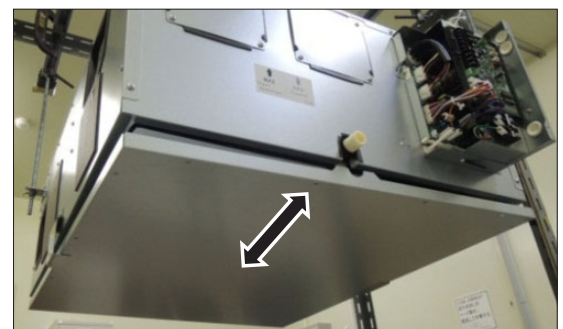


- ② Unscrew the bottom casing fixing screws (16 PTT screws 4×10, indicated by ○).

Tightening torque:
1.5 ± 0.2 N·m



- ③ Slide the bottom casing in the direction of the arrow to remove it.



- ④ Unscrew the screws (two PTT screws 4×25) and washers (two special washers 4.2), indicated by ○, and then pull out the drain pan in the direction of the arrow.

Precaution

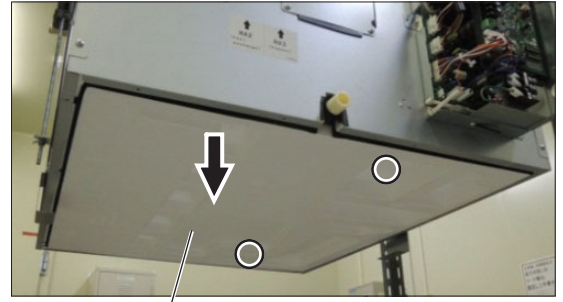
Drain water may be generated inside the drain pan. Therefore, when removing the drain pan, be careful not to let drain water spill.

Assembly precaution

When attaching the drain pan, tighten screws after inserting the drain pan until it reaches the same position as the product contour.

Tightening torque:

$1.1 \pm 0.2 \text{ N}\cdot\text{m}$



Drain pan

(4) Remove the motor leads

- ① Unscrew the screws (three PT screws 4×8, indicated by ○), and remove the control cover.



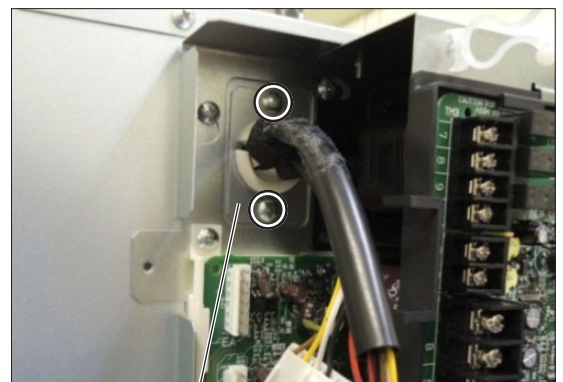
Control cover

- ② Check that LED4 (red) on the control circuit board is OFF.
③ Disconnect motor lead connectors (CN9 and CN10, indicated by ○) from the power circuit board.

Power circuit board Control circuit board



- ④ Unscrew the screws (two PT screws 4×8, indicated by ○), and remove the lead cover.



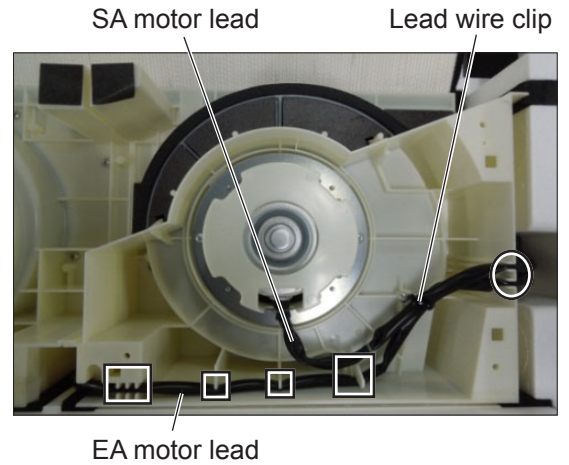
Lead cover

(5) Remove the SA fan assembly

- ① Unfasten the motor leads from the lead wire clip.

Assembly precaution

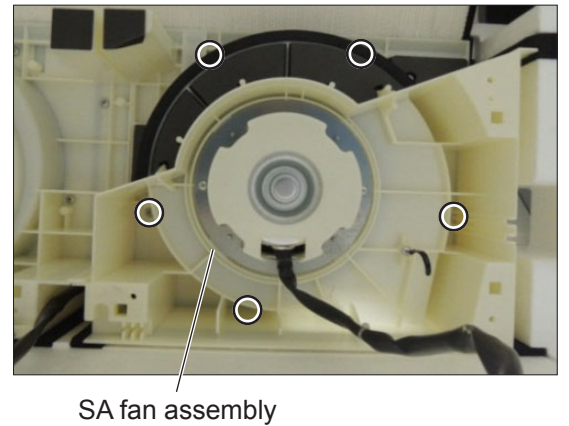
Run the EA motor lead through guides A (four locations, indicated by □), and the EA and SA motor leads through guide B (indicated by ○). Securely fasten them with the lead wire clip.



- ② Unscrew the screws (five PTT screws 4×14, indicated by ○), and remove the SA fan assembly.

Tightening torque:

$1.1 \pm 0.2 \text{ N}\cdot\text{m}$



(6) Remove the motor (DC) from the SA fan assembly

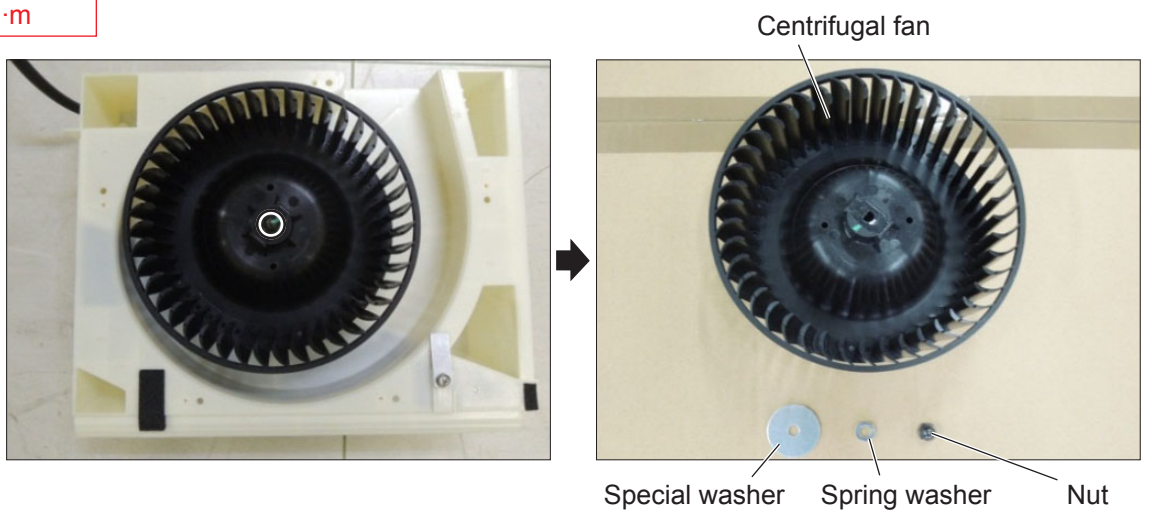
- ① Remove the nut (special nut (M8)) that fixes the centrifugal fan to the motor shaft, and remove the spring washer, centrifugal fan, and special washer.

Assembly precaution

Reattach the parts to the motor shaft in the order of special washer, centrifugal fan, and spring washer. Finally, tighten them with the nut.

Tightening torque:

$2.3 \pm 0.2 \text{ N}\cdot\text{m}$

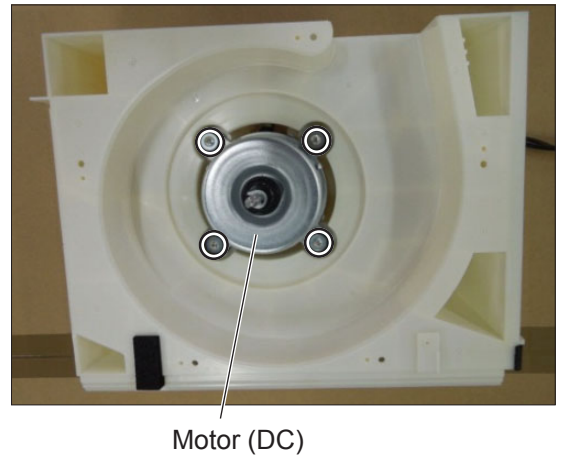


- ② Unscrew the screws (four PTT screws 4×25, indicated by ○), and remove the motor (DC).

Assembly precaution

- Different types of motors (for SA fan and EA fan) are provided for this product. When installing the motors, be careful not to confuse between them.
- Different connector parts are used for the motors.
 (Motor (DC) (for SA fan): six-pin connector
 Motor (DC) (for EA fan): seven-pin connector)

Tightening torque:
 $1.1 \pm 0.2 \text{ N}\cdot\text{m}$



(7) Remove the Lossnay core

- ① Remove the fixing tapes for the sheet (two locations, indicated by ○).
- ② Unscrew the screws (seven PTT screws 4×14, indicated by △), and remove the fan casing (orifice) of the EA fan assembly.

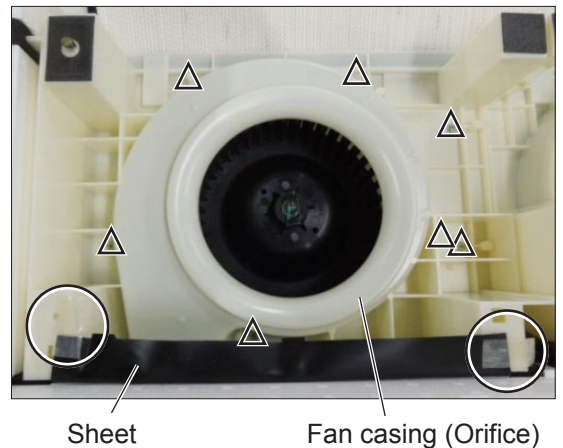
Precaution

Drain water may drip. Handle the fan casing (orifice) with care.

Assembly precaution

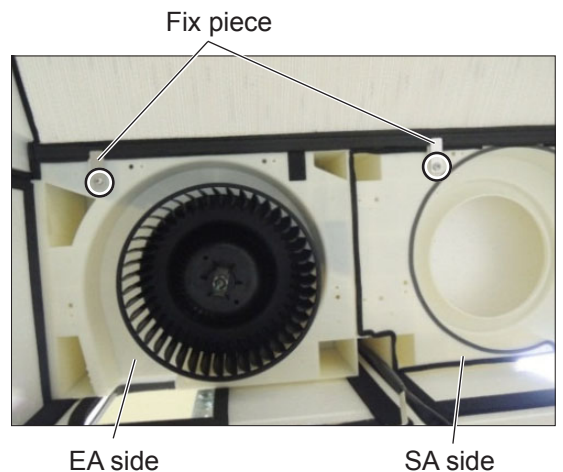
If the fixing tapes cannot be affixed again, use commercially available tapes to fix the sheet to the fan casing.

Tightening torque:
 $1.1 \pm 0.2 \text{ N}\cdot\text{m}$



- ③ Loosen the screws (two PTT screws 4×14, indicated by ○), and turn the fix pieces by 90°.

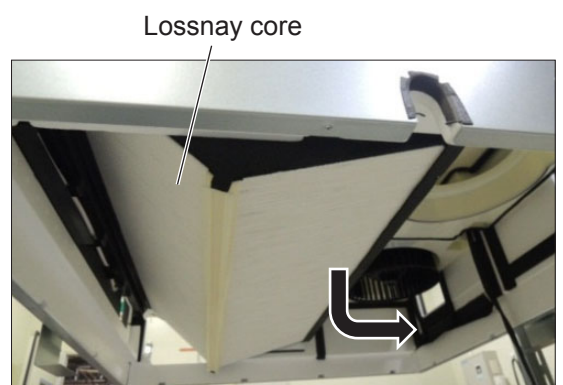
Tightening torque:
 $1.1 \pm 0.2 \text{ N}\cdot\text{m}$



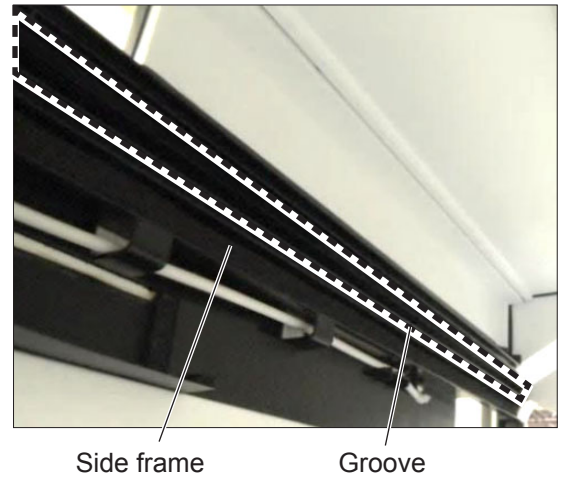
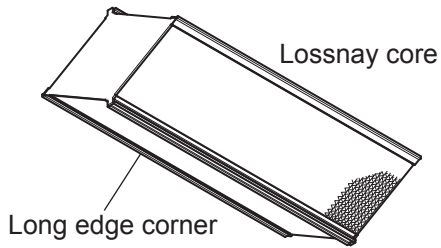
- ④ Take out the Lossnay core in the direction of the arrow.

Precaution

Dew condensation water may drip. Handle the Lossnay core with care.



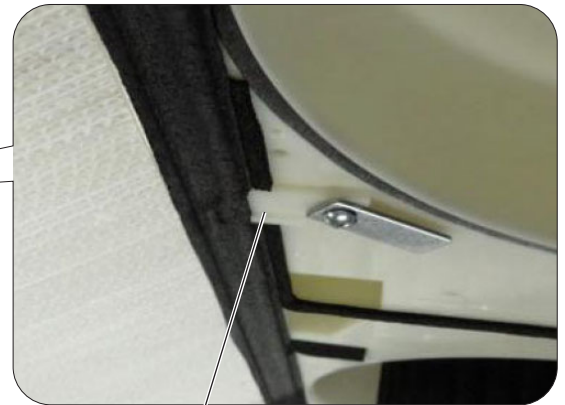
Assembly precaution (1) for installing the Lossnay core
Match the long edge corner of the Lossnay core with the groove at the center of the side frame.



Assembly precaution (2) for installing the Lossnay core
Insert the Lossnay core into the main unit while pressing it hard against the side frame, and make sure that the edge corner of the Lossnay core is securely inserted into the convex parts of the fan casing (two locations, indicated by ○).



Lossnay core

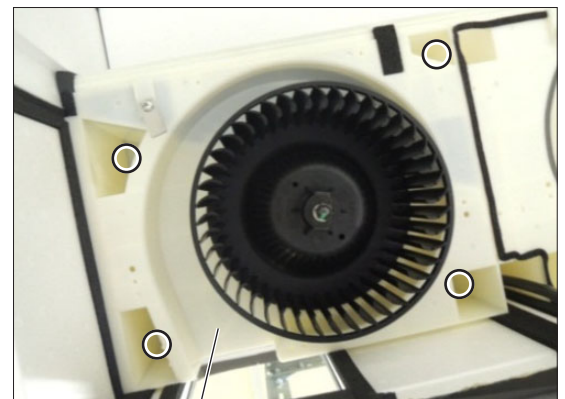


Convex part of the fan casing

(8) Remove the EA fan assembly

- Unscrew the screws (four PTT screws 4×25, indicated by ○), and remove the EA fan assembly.

Tightening torque:
 $1.5 \pm 0.2 \text{ N}\cdot\text{m}$



EA fan assembly

(9) Remove the motor (DC) from the EA fan assembly

- ① Remove the nut (special nut (M8)) that fixes the centrifugal fan to the motor shaft, and remove the spring washer, centrifugal fan, and special washer. → See (6) ①.

- ② Unscrew the screw (one PTT screw 4×14, indicated by ○), and remove the cord clip.

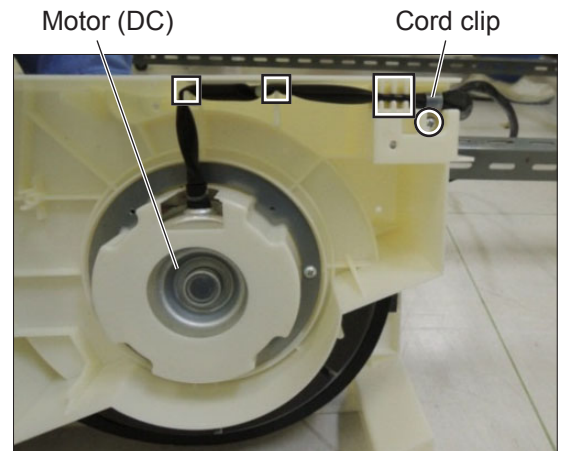
Assembly precaution

Run the motor lead through the guides (three locations, indicated by □), and make sure the motor lead is securely in place.

Tightening torque:

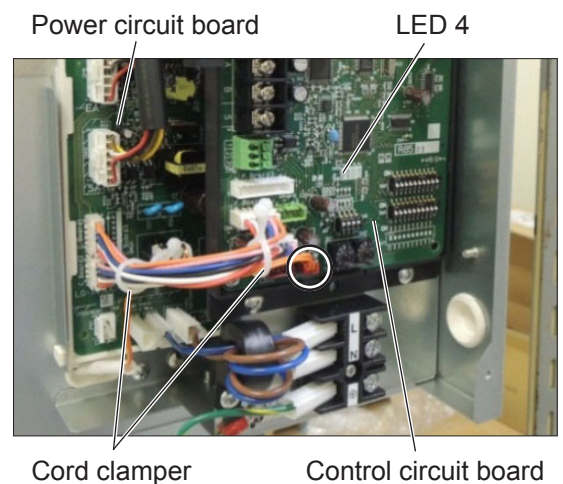
$1.1 \pm 0.2 \text{ N}\cdot\text{m}$

- ③ Remove the motor (DC). → See (6) ②.



(10) Remove the Thermistor

- ① Check that LED4 (red) on the control circuit board is OFF.
- ② Disconnect the thermistor lead connector (CN22, indicated by ○) from the control circuit board.
- ③ Remove the thermistor lead from the cord clampers.



- ④ Unscrew the screw (one PTT screw 4×14, indicated by ○), and remove the cord clip.

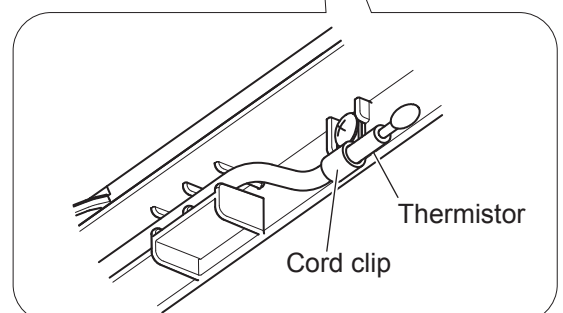
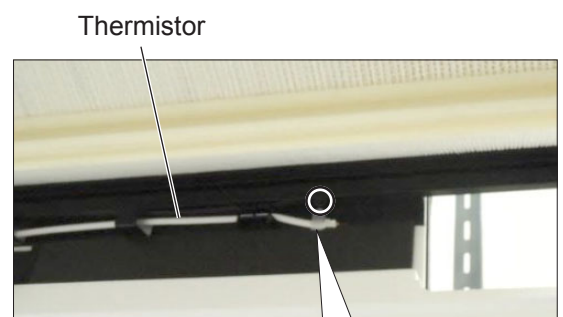
Precaution

When removing the thermistor without removing the Lossnay core, a short-legged screw driver is required. At this time, be careful not to damage the Lossnay core.

Tightening torque:

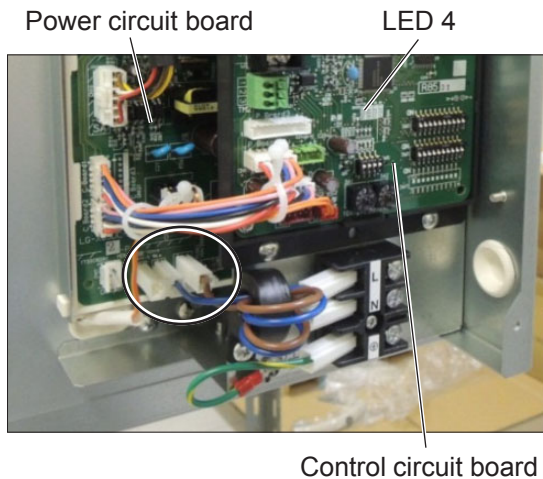
$1.1 \pm 0.2 \text{ N}\cdot\text{m}$

- ⑤ Remove the thermistor from the main unit.



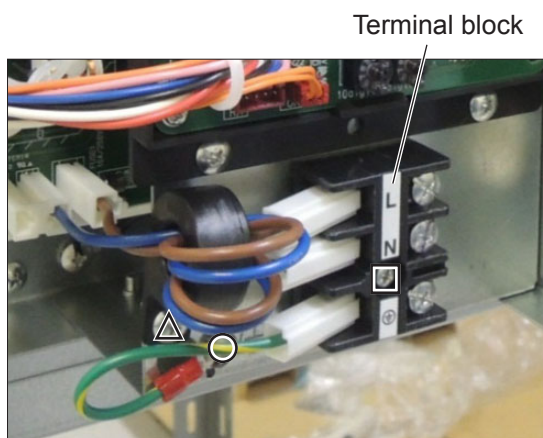
(11) Remove the terminal block

- ① Check that LED4 (red) on the control circuit board is OFF.
- ② Disconnect the connectors (TAB1 and TAB2, indicated by ○) from the power circuit board.



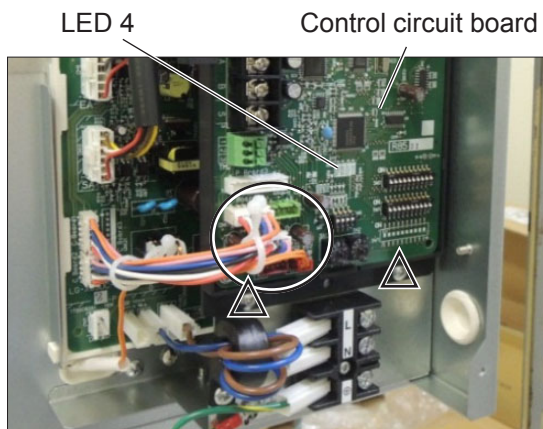
- ③ Unscrew the screw (one PT screw 4×8 BS, indicated by ○), and remove the lock washer and earth wire.
- ④ Unscrew the screws (one PT screw 4×8, indicated by △, and one PPT screw 4×20, indicated by □), and remove the terminal block with lead wires.

Tightening torque:
□: 1.1 ± 0.2 N·m

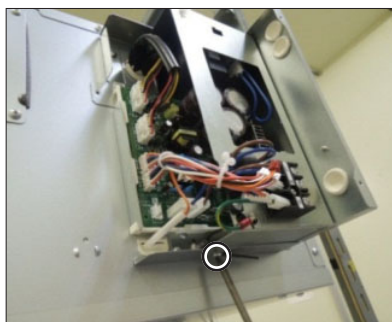


(12) Remove the circuit boards

- ① Check that LED4 (red) on the control circuit board is OFF.
- ② Disconnect the connectors (indicated by ○) from the control circuit board.
- ③ Unscrew the screws (two PT screws 4×8, indicated by △), and remove the control circuit board.

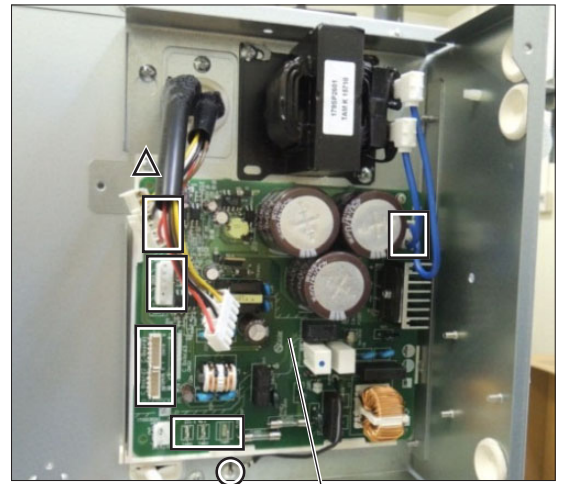


- ④ Unscrew the screws (three PT screws 4×8, indicated by ○), and remove the control unit.



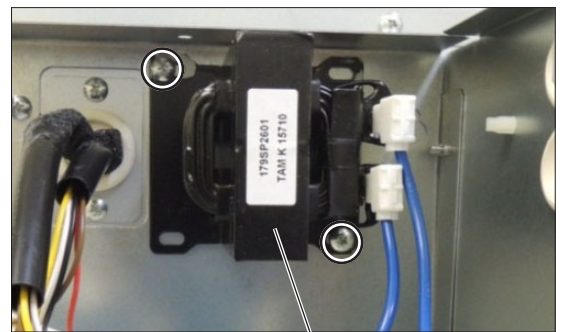
Control unit

- ⑤ Disconnect the connectors (indicated by □) from the power circuit board.
- ⑥ Unscrew the screw (one PT screw 4×8 BS, indicated by ○), and remove the lock washer and earth wire.
- ⑦ Unscrew the screw (one PT screw 4×8, indicated by △), and remove the power circuit board.



Power circuit board

- ⑧ Unscrew the screws (two PT screws 4×8, indicated by ○), and remove the reactor.

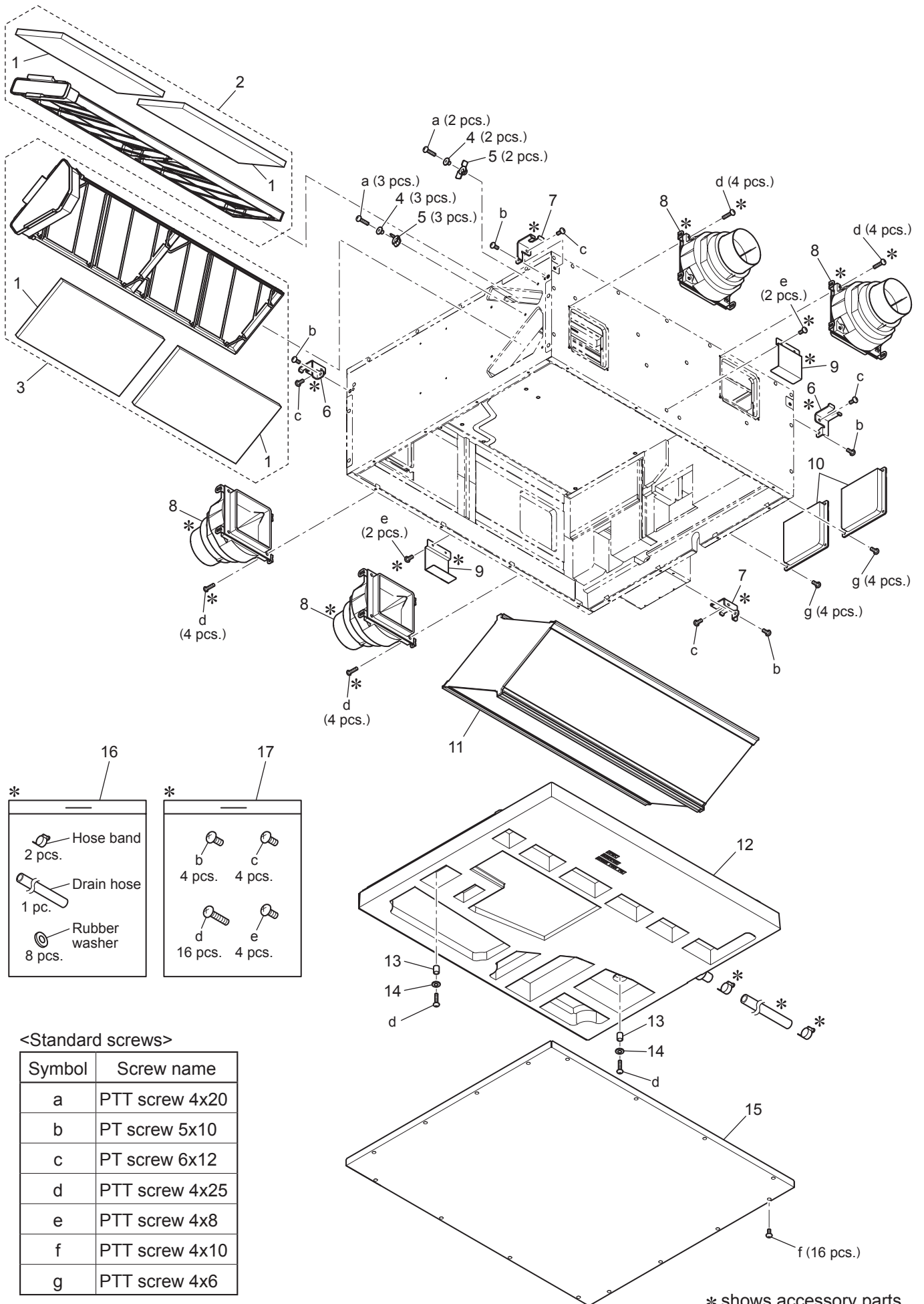


Reactor

* When reassembling

- Reassemble the unit in the reverse order of disassembly.
- After reassembly, always make a test run to be sure that the unit operates properly.

VL-220CZGV-E

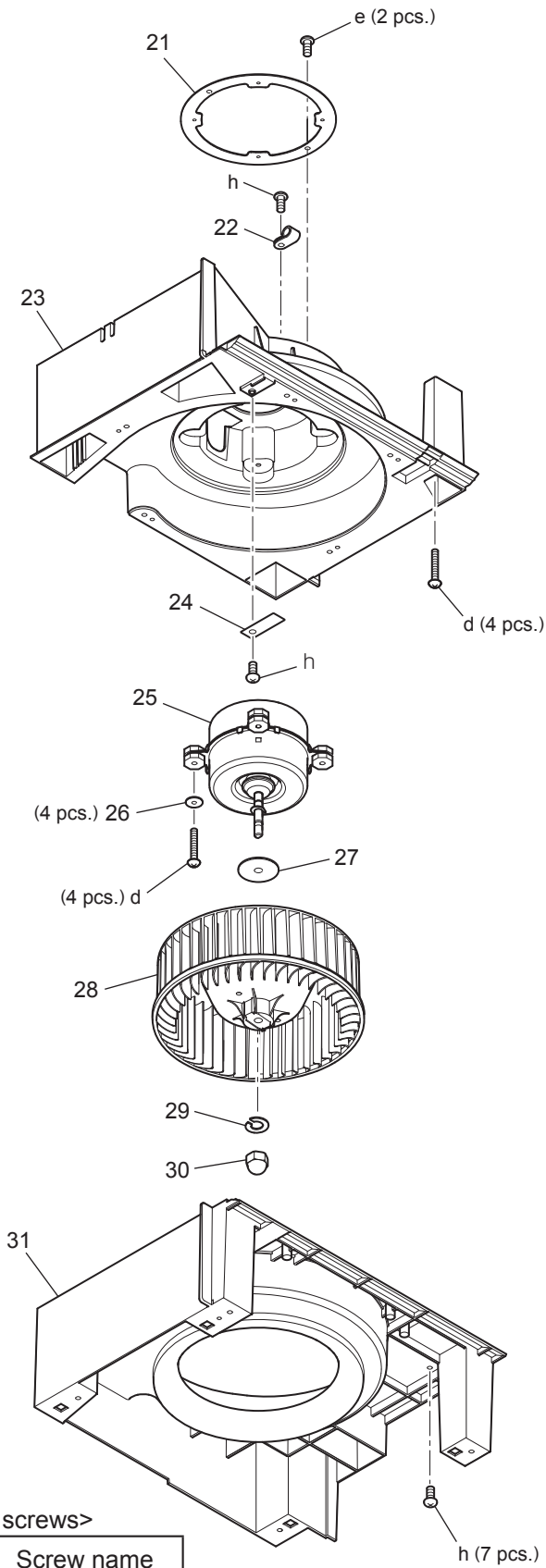


* shows accessory parts.

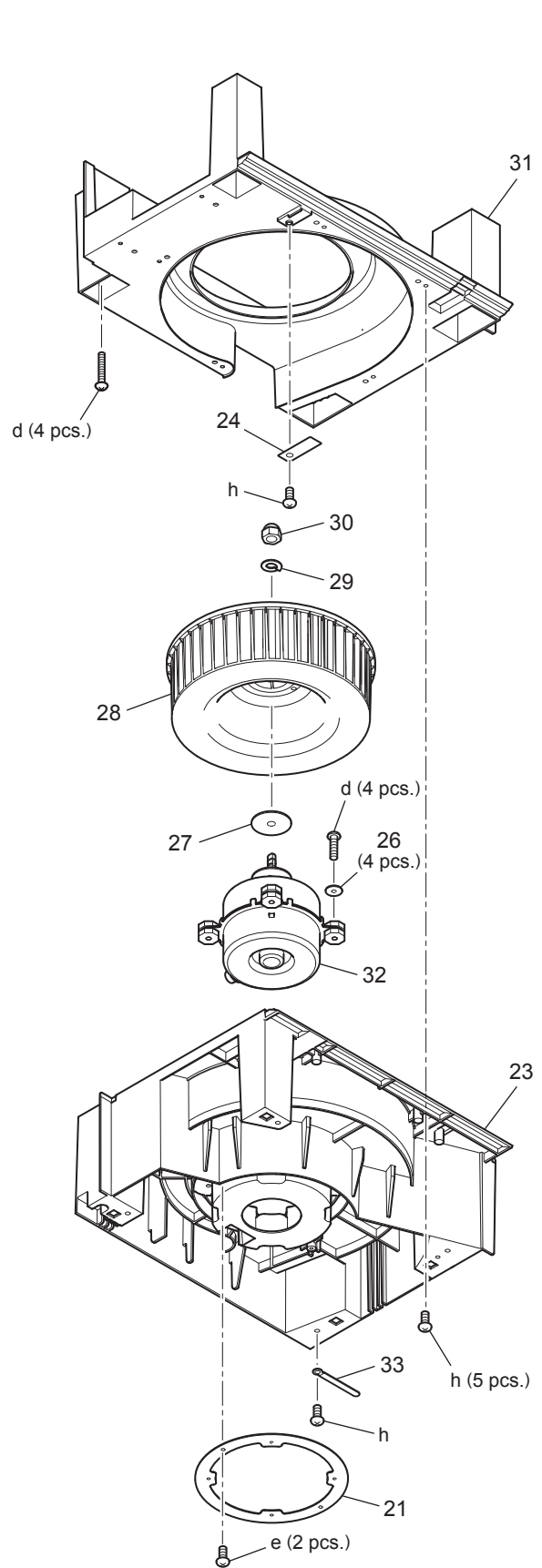
VL-220CZGV-E

| No. | Name of part | Parts No. | Q'ty pcs/unit | Critical for safety | Remarks |
|-----|--------------------|-------------|------------------|---------------------------|----------|
| 1 | Filter | Y36 007 718 | 4 | △ | RA OA |
| 2 | Filter assembly | Y36 007 717 | 1 | △ | |
| 3 | Filter assembly | Y36 007 719 | 1 | △ | |
| 4 | Bush | M36 385 682 | 5 | | |
| 5 | Fixing knob | M36 385 681 | 5 | | |
| 6 | Hanger L | R50 614 381 | 2 | | |
| 7 | Hanger R | R50 614 380 | 2 | | |
| 8 | Flange | M36 385 305 | 4 | | |
| 9 | Auxiliary fixture | Y36 007 832 | 2 | | |
| 10 | Cover | M36 385 835 | 2 | | |
| 11 | Lossnay core | Y36 007 714 | 1 | △ | 6×10 |
| 12 | Drain pan | Y36 007 831 | 1 | | |
| 13 | Spacer | M36 335 095 | 2 | | |
| 14 | Special washer 4.2 | H00 416 086 | 2 | | |
| 15 | Bottom casing | Y36 007 830 | 1 | | |
| 16 | Hose in bag | Y36 007 893 | 1 | | |
| 17 | Screws in bag | Y36 007 894 | 1 | | |

Air exhaust (EA) fan assembly



Air supply (SA) fan assembly

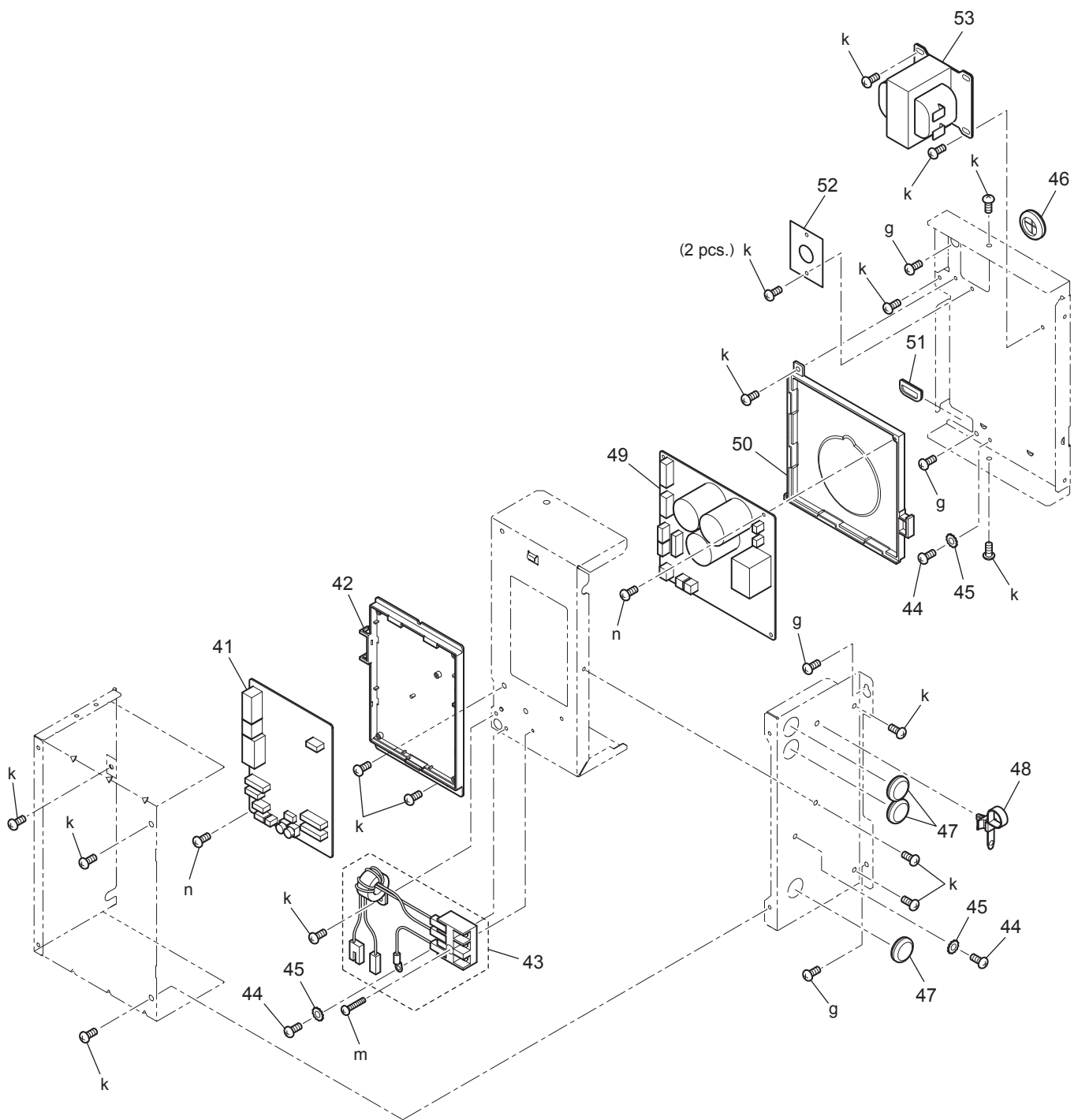


<Standard screws>

| Symbol | Screw name |
|--------|----------------|
| d | PTT screw 4x25 |
| e | PTT screw 4x8 |
| h | PTT screw 4x14 |

VL-220CZGV-E

| No. | Name of part | Parts No. | Q'ty pcs/unit | Critical for safety | Remarks |
|-----|----------------------|-------------|------------------|---------------------------|---------|
| 21 | Motor fix plate | Y36 007 713 | 2 | | |
| 22 | Cord clip | M35 157 224 | 1 | | |
| 23 | Fan casing | Y36 007 484 | 2 | | |
| 24 | Fix piece | R50 424 723 | 2 | | |
| 25 | Motor (DC) | Y36 007 451 | 1 | △ | EA |
| 26 | Special washer 4.2 | R50 089 080 | 8 | | |
| 27 | Special washer | R50 028 465 | 2 | | φ 8.1 |
| 28 | Centrifugal fan | Y36 007 480 | 2 | △ | |
| 29 | Spring washer (8) | H00 078 075 | 2 | | |
| 30 | Special nut (M8) | M36 067 067 | 2 | | |
| 31 | Fan casing (Orifice) | Y36 007 483 | 2 | | |
| 32 | Motor (DC) | Y36 007 450 | 1 | △ | SA |
| 33 | Lead wire clip | M30 409 356 | 1 | | |

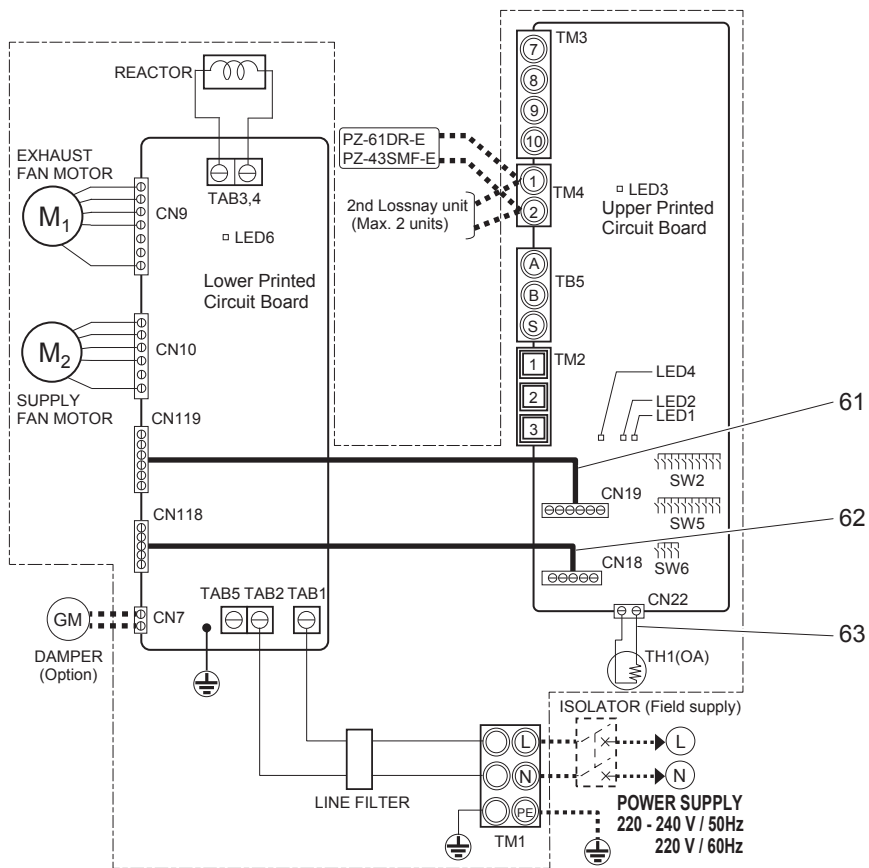


<Standard screws>

| Symbol | Screw name |
|--------|----------------|
| g | PTT screw 4x6 |
| k | PT screw 4x8 |
| m | PPT screw 4x20 |
| n | PPT screw 3x8 |

VL-220CZGV-E

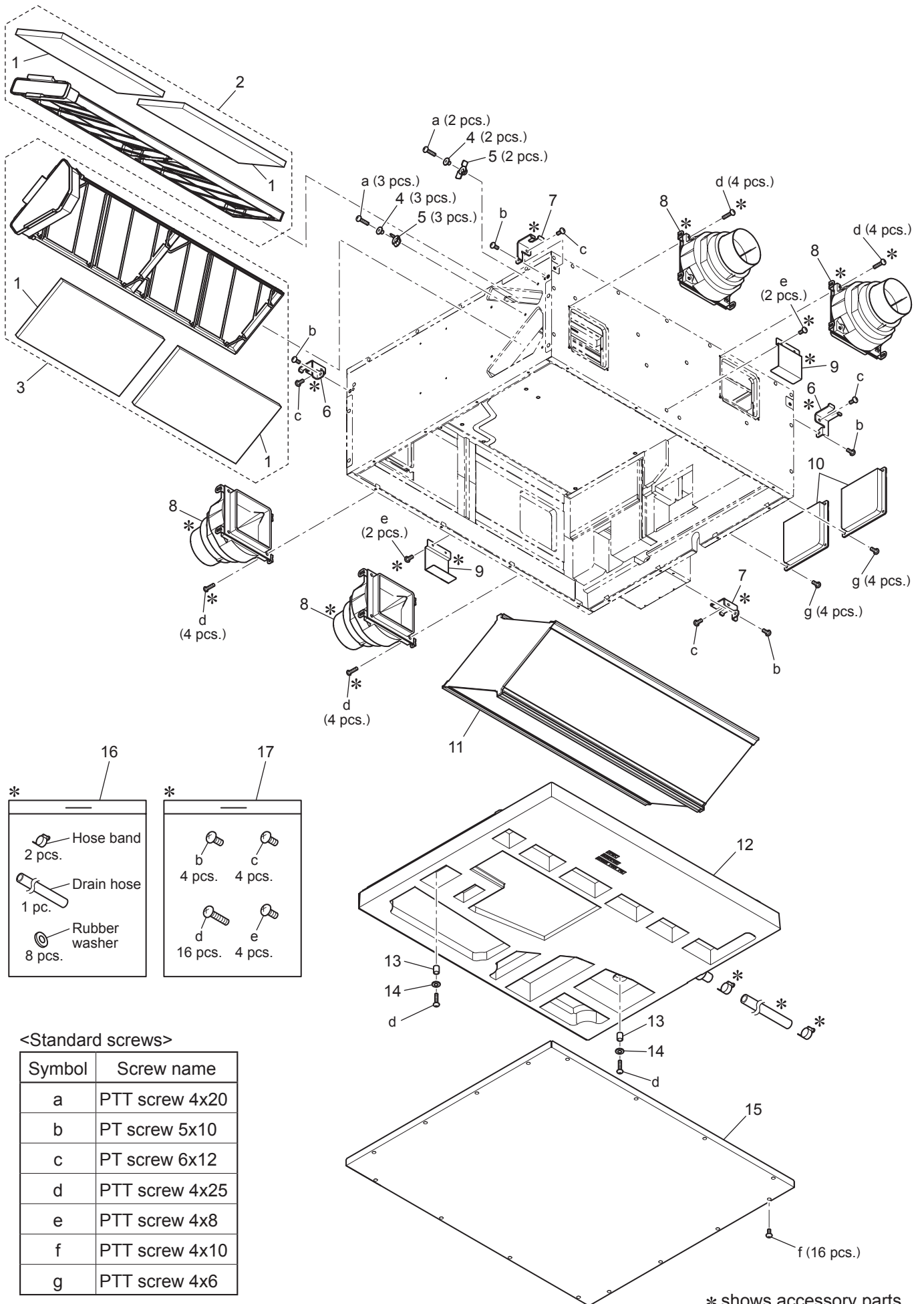
| No. | Name of part | Parts No. | Q'ty pcs/unit | Critical for safety | Remarks |
|-----|-----------------|-------------|------------------|---------------------------|--------------------------------------|
| 41 | Circuit board | Y36 007 172 | 1 | △ | LG-X05DC-E2·C With lead wires |
| 42 | PCB fix plate | Y50 169 380 | 1 | | |
| 43 | Terminal block | Y50 169 213 | 1 | △ | |
| 44 | PT screw 4×8 BS | H00 011 008 | 3 | | |
| 45 | Lock washer (4) | H00 013 076 | 3 | | |
| 46 | Bush | R50 476 225 | 1 | | LG-X05DC-E2·P |
| 47 | Bush | K83 223 225 | 3 | | |
| 48 | Cord band | Y55 001 223 | 1 | | |
| 49 | Circuit board | Y36 007 171 | 1 | △ | |
| 50 | PCB case | Y50 163 380 | 1 | | |
| 51 | Bush | R50 541 225 | 1 | | AC10A |
| 52 | Lead cover | Y36 007 715 | 1 | | |
| 53 | Reactor | Y50 169 179 | 1 | △ | |



VL-220CZGV-E

| No. | Name of part | Parts No. | Q'ty pcs/unit | Critical for safety | Remarks |
|-----|--------------|-------------|------------------|---------------------------|----------------|
| 61 | Lead wire | Y36 007 214 | 1 | △ | CN19-CN119 |
| 62 | Lead wire | Y36 007 213 | 1 | △ | CN18-CN118 |
| 63 | Thermistor | Y36 007 167 | 1 | △ | -30°C to 100°C |

VL-220CZGV-EB



<Standard screws>

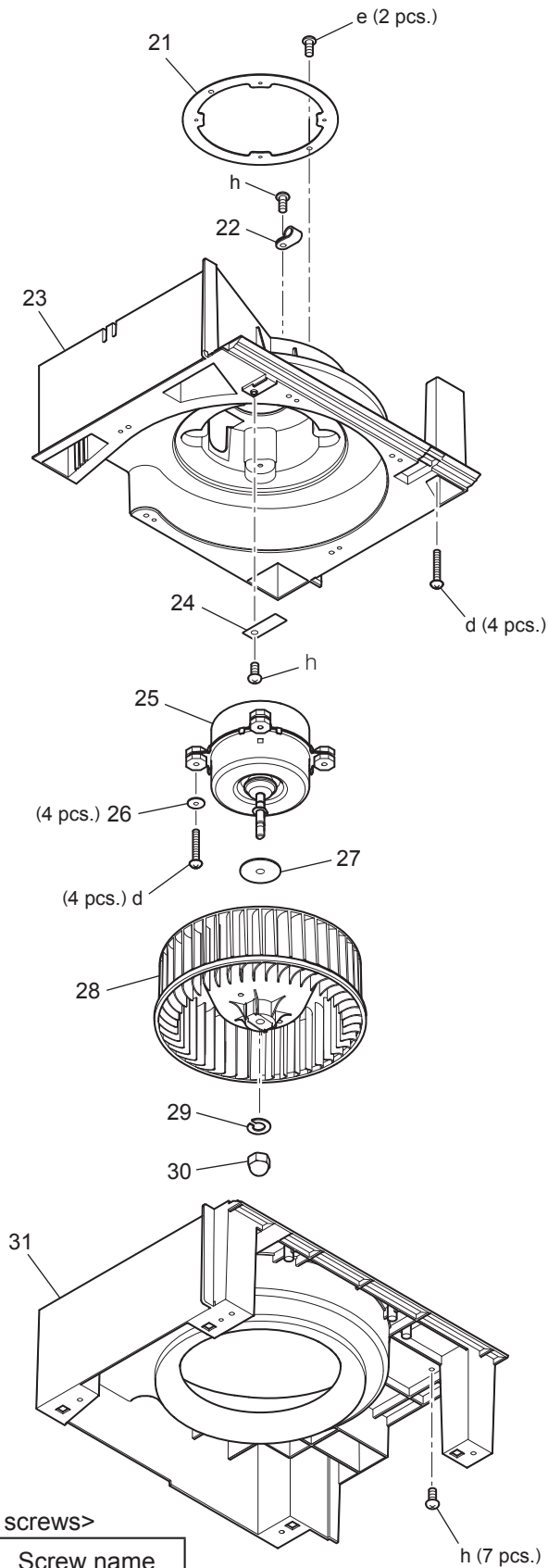
| Symbol | Screw name |
|--------|----------------|
| a | PTT screw 4x20 |
| b | PT screw 5x10 |
| c | PT screw 6x12 |
| d | PTT screw 4x25 |
| e | PTT screw 4x8 |
| f | PTT screw 4x10 |
| g | PTT screw 4x6 |

* shows accessory parts.

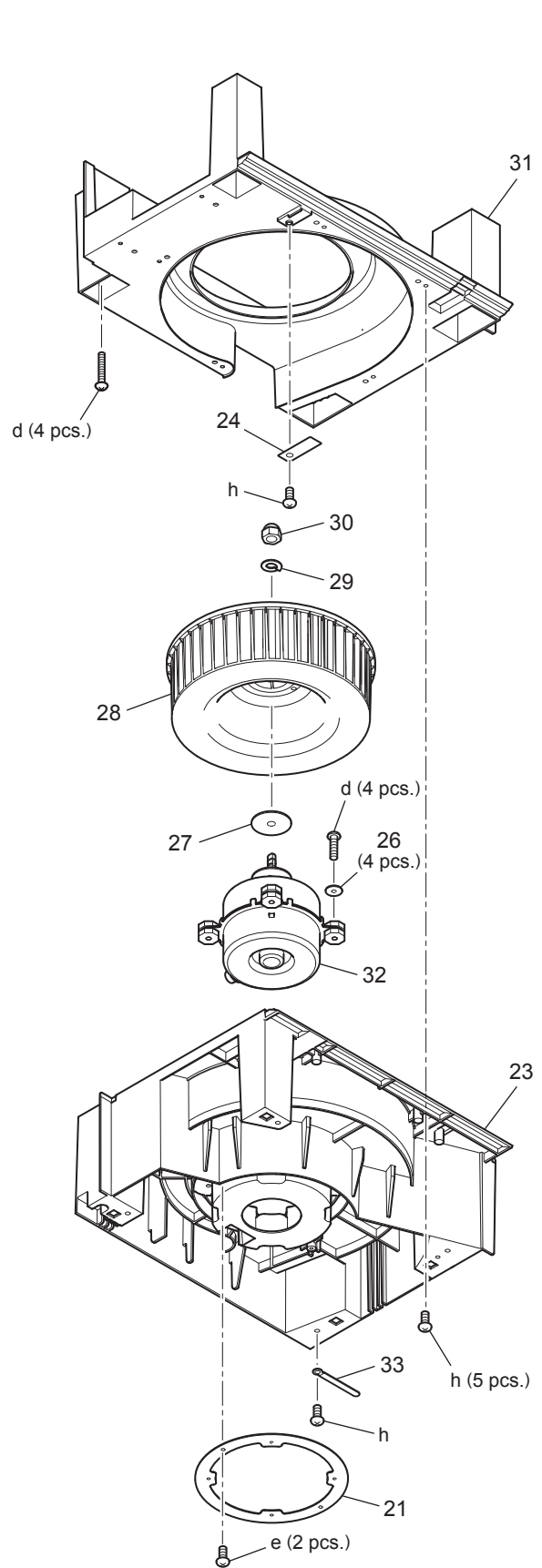
VL-220CZGV-EB

| No. | Name of part | Parts No. | Q'ty pcs/unit | Critical for safety | Remarks |
|-----|--------------------|-------------|------------------|---------------------------|----------|
| 1 | Filter | Y36 007 718 | 4 | △ | RA OA |
| 2 | Filter assembly | Y36 007 717 | 1 | △ | |
| 3 | Filter assembly | Y36 007 719 | 1 | △ | |
| 4 | Bush | M36 385 682 | 5 | | |
| 5 | Fixing knob | M36 385 681 | 5 | | |
| 6 | Hanger L | R50 614 381 | 2 | | |
| 7 | Hanger R | R50 614 380 | 2 | | |
| 8 | Flange | M36 385 305 | 4 | | |
| 9 | Auxiliary fixture | Y36 007 832 | 2 | | |
| 10 | Cover | M36 385 835 | 2 | | |
| 11 | Lossnay core | Y36 007 714 | 1 | △ | 6×10 |
| 12 | Drain pan | Y36 007 831 | 1 | | |
| 13 | Spacer | M36 335 095 | 2 | | |
| 14 | Special washer 4.2 | H00 416 086 | 2 | | |
| 15 | Bottom casing | Y36 007 830 | 1 | | |
| 16 | Hose in bag | Y36 007 893 | 1 | | |
| 17 | Screws in bag | Y36 007 894 | 1 | | |

Air exhaust (EA) fan assembly



Air supply (SA) fan assembly

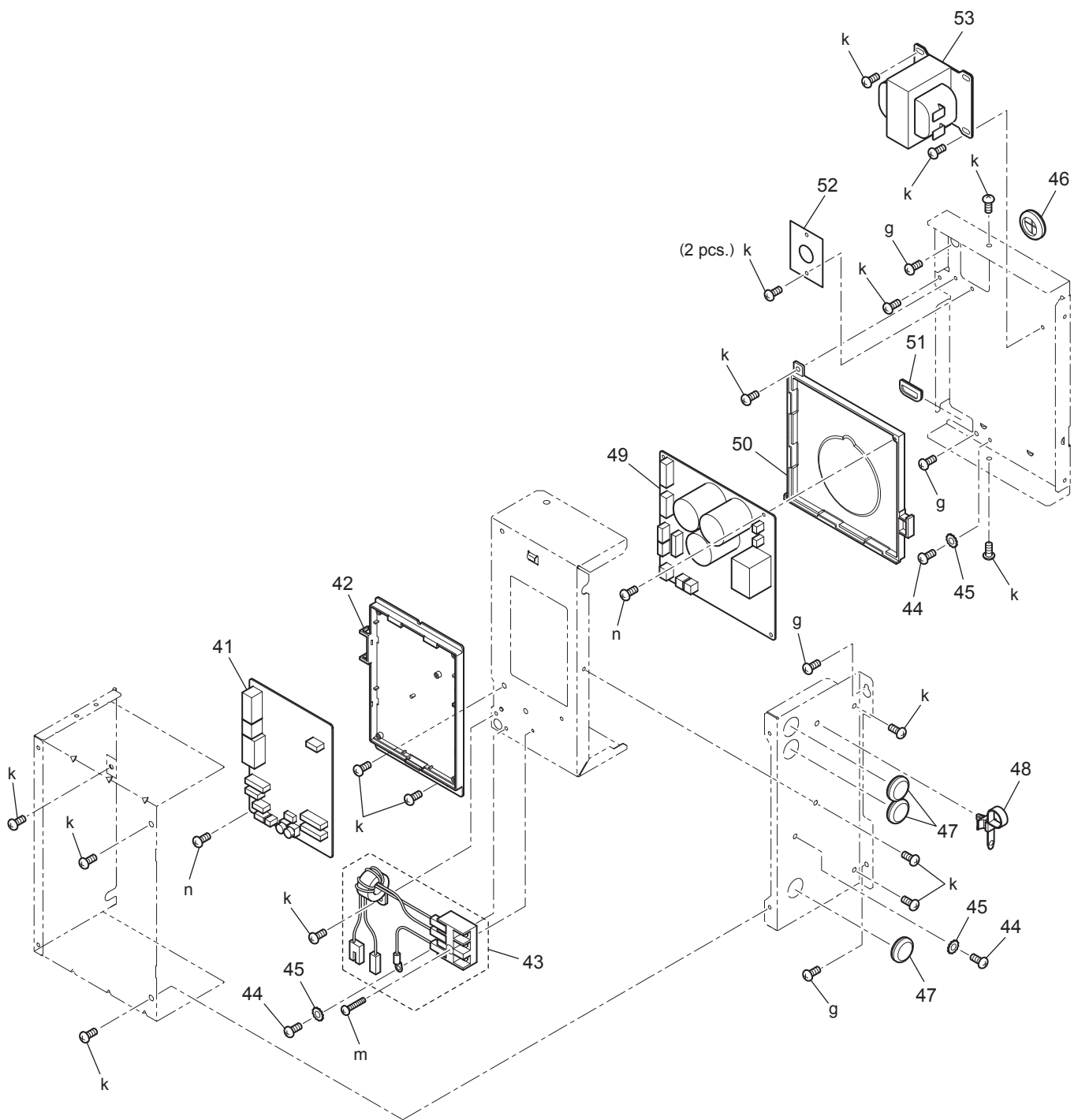


<Standard screws>

| Symbol | Screw name |
|--------|----------------|
| d | PTT screw 4x25 |
| e | PTT screw 4x8 |
| h | PTT screw 4x14 |

VL-220CZGV-EB

| No. | Name of part | Parts No. | Q'ty pcs/unit | Critical for safety | Remarks |
|-----|----------------------|-------------|------------------|---------------------------|---------|
| 21 | Motor fix plate | Y36 007 713 | 2 | | |
| 22 | Cord clip | M35 157 224 | 1 | | |
| 23 | Fan casing | Y36 007 484 | 2 | | |
| 24 | Fix piece | R50 424 723 | 2 | | |
| 25 | Motor (DC) | Y36 007 451 | 1 | △ | EA |
| 26 | Special washer 4.2 | R50 089 080 | 8 | | |
| 27 | Special washer | R50 028 465 | 2 | | φ 8.1 |
| 28 | Centrifugal fan | Y36 007 480 | 2 | △ | |
| 29 | Spring washer (8) | H00 078 075 | 2 | | |
| 30 | Special nut (M8) | M36 067 067 | 2 | | |
| 31 | Fan casing (Orifice) | Y36 007 483 | 2 | | |
| 32 | Motor (DC) | Y36 007 450 | 1 | △ | SA |
| 33 | Lead wire clip | M30 409 356 | 1 | | |

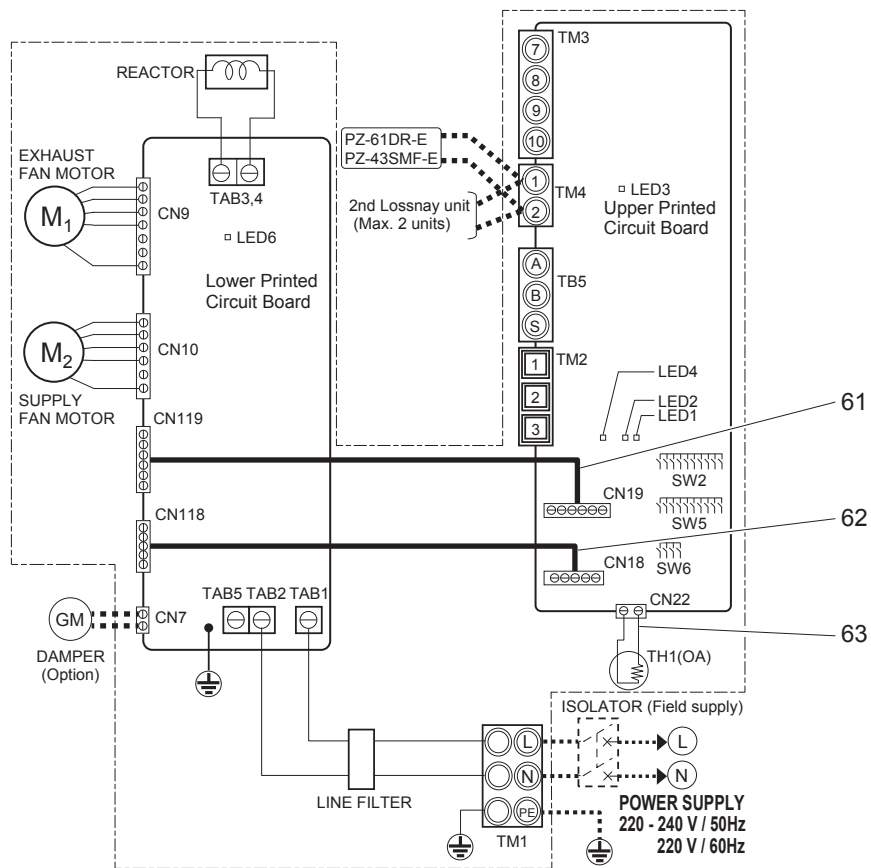


<Standard screws>

| Symbol | Screw name |
|--------|----------------|
| g | PTT screw 4x6 |
| k | PT screw 4x8 |
| m | PPT screw 4x20 |
| n | PPT screw 3x8 |

VL-220CZGV-EB

| No. | Name of part | Parts No. | Q'ty pcs/unit | Critical for safety | Remarks |
|-----|-----------------|-------------|------------------|---------------------------|--------------------------------------|
| 41 | Circuit board | Y36 007 172 | 1 | △ | LG-X05DC-E2·C With lead wires |
| 42 | PCB fix plate | Y50 169 380 | 1 | | |
| 43 | Terminal block | Y50 169 213 | 1 | △ | |
| 44 | PT screw 4×8 BS | H00 011 008 | 3 | | |
| 45 | Lock washer (4) | H00 013 076 | 3 | | |
| 46 | Bush | R50 476 225 | 1 | | LG-X05DC-E2·P |
| 47 | Bush | K83 223 225 | 3 | | |
| 48 | Cord band | Y55 001 223 | 1 | | |
| 49 | Circuit board | Y36 007 171 | 1 | △ | |
| 50 | PCB case | Y50 163 380 | 1 | | |
| 51 | Bush | R50 541 225 | 1 | | AC10A |
| 52 | Lead cover | Y36 007 715 | 1 | | |
| 53 | Reactor | Y50 169 179 | 1 | △ | |



VL-220CZGV-EB

| No. | Name of part | Parts No. | Q'ty pcs/unit | Critical for safety | Remarks |
|-----|--------------|-------------|------------------|---------------------------|----------------|
| 61 | Lead wire | Y36 007 214 | 1 | △ | CN19-CN119 |
| 62 | Lead wire | Y36 007 213 | 1 | △ | CN18-CN118 |
| 63 | Thermistor | Y36 007 167 | 1 | △ | -30°C to 100°C |