

SERVICE PARTS LIST FOR MITSUBISHI ELECTRIC PACKAGED AIR-CONDITIONERS

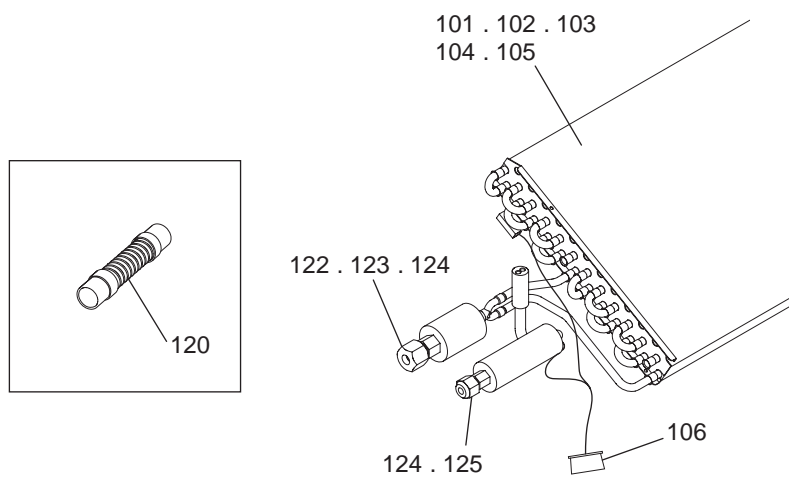
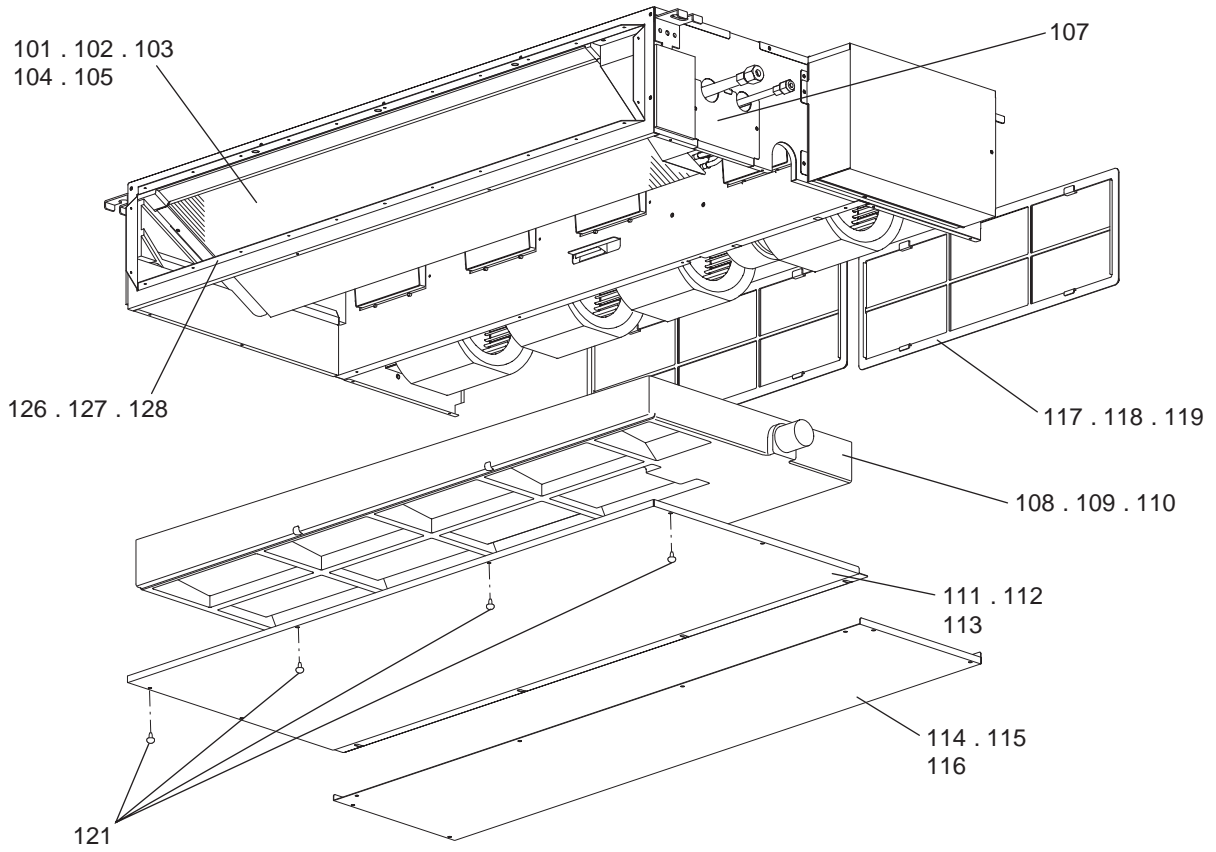
Series : SEZ-M•DA.TH(-ER)
SEZ-M•DAL.TH

Nov. 2017
BWE017250

INDEX
SEZ-M25DA.TH
SEZ-M35DA.TH
SEZ-M50DA.TH
SEZ-M60DA.TH
SEZ-M71DA.TH
SEZ-M25DAL.TH
SEZ-M35DAL.TH
SEZ-M50DAL.TH
SEZ-M60DAL.TH
SEZ-M71DAL.TH
SEZ-M25DA.TH-ER
SEZ-M35DA.TH-ER
SEZ-M50DA.TH-ER
SEZ-M60DA.TH-ER
SEZ-M71DA.TH-ER

SEZ-M25,M35,M50,M60,M71DA.TH
SEZ-M25,M35,M50,M60,M71DAL.TH
SEZ-M25,M35,M50,M60,M71DA.TH-ER

EXTERNAL PARTS



SEZ-M25,M35,M50,M60,M71DA.TH
 SEZ-M25,M35,M50,M60,M71DAL.TH
 SEZ-M25,M35,M50,M60,M71DA.TH-ER

EXTERNAL PARTS

No.	Part No.	G : RoHS Apply Only W : RoHS Apply by Running Change	Part Name	Spec.	SEZ-M25DA.TH	SEZ-M35DA.TH	SEZ-M50DA.TH	SEZ-M60DA.TH	SEZ-M71DA.TH	SEZ-M25DAL.TH	Dwg. No.	Notes for the models	Revision info.
101	E17 K89 620	G	Heat exchanger		1					1	KB00A073B03		
102	E17 K90 620	G	Heat exchanger			1					KB00A076B09		
103	E17 K91 620	G	Heat exchanger				1				KB00A076B10		
104	E17 K92 620	G	Heat exchanger					1			KB00A078B13		
105	E17 K93 620	G	Heat exchanger						1		KB00A078B14		
106	E17 319 307	G	Thermistor		1	1	1	1	1	1	RG71V202G01		
107	E17 319 690	G	Cover pipe assy		1	1	1	1	1	1	KB00H214G02		
108	E17 319 700	G	Drain pan assy S		1					1	KB00G775G19		
109	E17 320 700	G	Drain pan assy M			1	1				KB00G775G20		
110	E17 326 700	G	Drain pan assy L					1	1		KB00G775G21		
111	E17 319 717	G	Panel under assy 1 S		1					1	KB00G776G07		
112	E17 320 717	G	Panel under assy 1 M			1	1				KB00G776G08		
113	E17 326 717	G	Panel under assy 1 L					1	1		KB00G776G09		
114	E17 319 718	G	Panel under 2 S		1					1	KB02B455G02		
115	E17 320 718	G	Panel under 2 M			1	1				KB02B457G01		
116	E17 326 718	G	Panel under 2 L					1	1		KB02A071G02		
117	E17 319 100	G	Filter	15	1					1	KB35B272G02		
118	E17 320 100	G	Filter	40		1	1				KB35B207G02		
119	E17 326 100	G	Filter	63				2	2		KB35B208G02		
120	E17 319 702	G	Drain hose		1	1	1	1	1	1	KB27T150H02		
121	E17 319 250	G	Screw assy		3	4	4	4	4	3	KB12H389G01		
122	E17 K91 660	G	Nut Flare	1/2(HOLE)			1				BG12S008L01		
123	E17 K92 660	G	Nut Flare	5/8(HOLE)				1	1		BG12S826K01		
124	E17 K90 660	G	Nut Flare	3/8(HOLE)	1	1			1	1	BH12D642L01		
125	E17 K89 660	G	Nut Flare	1/4(HOLE)	1	1	1	1		1	RG12F144K01		
126	E17 319 800	G	Panel duct assy S		1					1	KB00G751G07		
127	E17 320 800	G	Panel duct assy M			1	1				KB00G751G08		
128	E17 326 800	G	Panel duct assy L					1	1		KB00G751G09		

SEZ-M25,M35,M50,M60,M71DA.TH
 SEZ-M25,M35,M50,M60,M71DAL.TH
 SEZ-M25,M35,M50,M60,M71DA.TH-ER

EXTERNAL PARTS

No.	Part No.	G : RoHS Apply Only W : RoHS Apply by Running Change		Spec.	SEZ-M35DAL.TH	SEZ-M60DAL.TH	SEZ-M60DAL.TH	SEZ-M71DAL.TH	SEZ-M25DA.TH-ER	SEZ-M35DA.TH-ER	Dwg. No.	Notes for the models	Revision info.	
			Part Name											
101	E17 K89 620	G	Heat exchanger						1		KB00A073B03			
102	E17 K90 620	G	Heat exchanger		1						1	KB00A076B09		
103	E17 K91 620	G	Heat exchanger			1						KB00A076B10		
104	E17 K92 620	G	Heat exchanger				1					KB00A078B13		
105	E17 K93 620	G	Heat exchanger					1				KB00A078B14		
106	E17 319 307	G	Thermistor		1	1	1	1	1	1		RG71V202G01		
107	E17 319 690	G	Cover pipe assy		1	1	1	1	1	1		KB00H214G02		
108	E17 319 700	G	Drain pan assy S						1			KB00G775G19		
109	E17 320 700	G	Drain pan assy M		1	1					1	KB00G775G20		
110	E17 326 700	G	Drain pan assy L				1	1				KB00G775G21		
111	E17 319 717	G	Panel under assy 1 S						1			KB00G776G07		
112	E17 320 717	G	Panel under assy 1 M		1	1					1	KB00G776G08		
113	E17 326 717	G	Panel under assy 1 L				1	1				KB00G776G09		
114	E17 319 718	G	Panel under 2 S						1			KB02B455G02		
115	E17 320 718	G	Panel under 2 M		1	1					1	KB02B457G01		
116	E17 326 718	G	Panel under 2 L				1	1				KB02A071G02		
117	E17 319 100	G	Filter	15						1		KB35B272G02		
118	E17 320 100	G	Filter	40	1	1					1	KB35B207G02		
119	E17 326 100	G	Filter	63			2	2				KB35B208G02		
120	E17 319 702	G	Drain hose		1	1	1	1	1	1		KB27T150H02		
121	E17 319 250	G	Screw assy		4	4	4	4	3	4		KB12H389G01		
122	E17 K91 660	G	Nut Flare	1/2(HOLE)		1						BG12S008L01		
123	E17 K92 660	G	Nut Flare	5/8(HOLE)			1	1				BG12S826K01		
124	E17 K90 660	G	Nut Flare	3/8(HOLE)	1			1	1	1		BH12D642L01		
125	E17 K89 660	G	Nut Flare	1/4(HOLE)	1	1	1		1	1		RG12F144K01		
126	E17 319 800	G	Panel duct assy S							1		KB00G751G07		
127	E17 320 800	G	Panel duct assy M		1	1					1	KB00G751G08		
128	E17 326 800	G	Panel duct assy L				1	1				KB00G751G09		

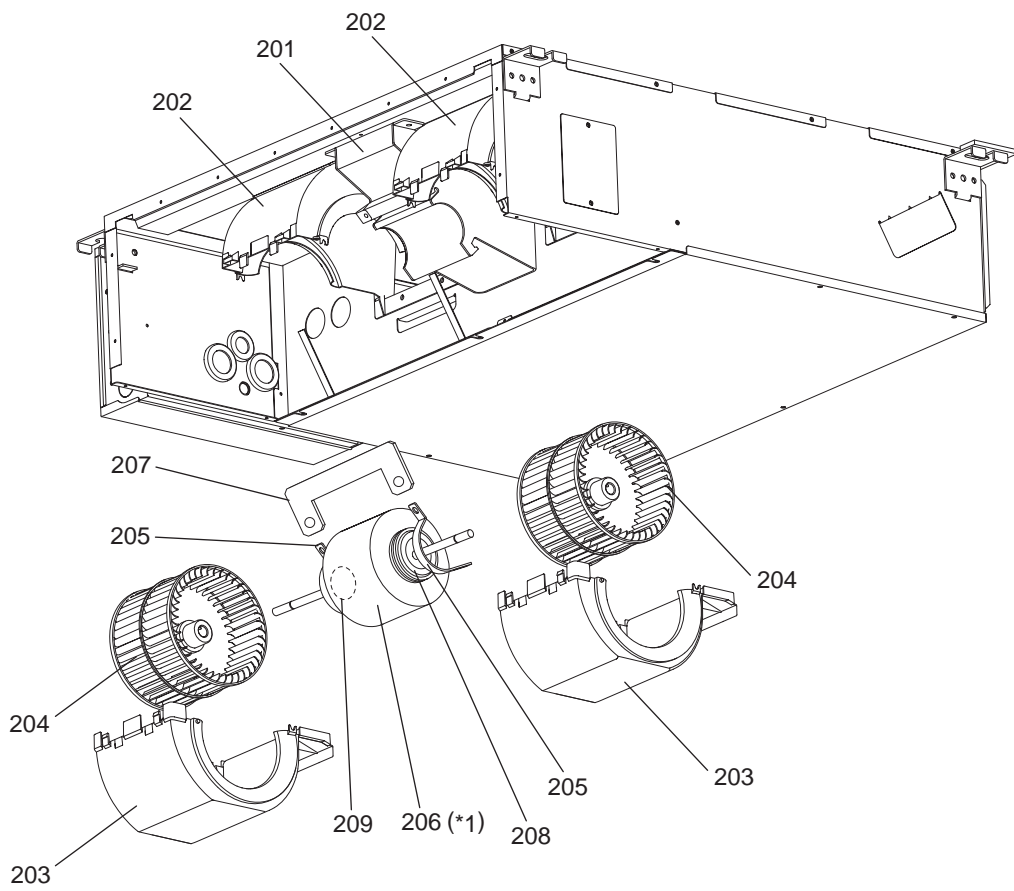
SEZ-M25,M35,M50,M60,M71DA.TH
 SEZ-M25,M35,M50,M60,M71DAL.TH
 SEZ-M25,M35,M50,M60,M71DA.TH-ER

EXTERNAL PARTS

No.	Part No.	G : RoHS Apply Only W : RoHS Apply by Running Change		Spec.	SEZ-M35DA.TH-ER	SEZ-M60DA.TH-ER	SEZ-M71DA.TH-ER				Dwg. No.	Notes for the models	Revision info.
			Part Name										
101	E17 K89 620	G	Heat exchanger								KB00A073B03		
102	E17 K90 620	G	Heat exchanger								KB00A076B09		
103	E17 K91 620	G	Heat exchanger		1						KB00A076B10		
104	E17 K92 620	G	Heat exchanger			1					KB00A078B13		
105	E17 K93 620	G	Heat exchanger				1				KB00A078B14		
106	E17 319 307	G	Thermistor		1	1	1				RG71V202G01		
107	E17 319 690	G	Cover pipe assy		1	1	1				KB00H214G02		
108	E17 319 700	G	Drain pan assy S								KB00G775G19		
109	E17 320 700	G	Drain pan assy M		1						KB00G775G20		
110	E17 326 700	G	Drain pan assy L			1	1				KB00G775G21		
111	E17 319 717	G	Panel under assy 1 S								KB00G776G07		
112	E17 320 717	G	Panel under assy 1 M		1						KB00G776G08		
113	E17 326 717	G	Panel under assy 1 L			1	1				KB00G776G09		
114	E17 319 718	G	Panel under 2 S								KB02B455G02		
115	E17 320 718	G	Panel under 2 M		1						KB02B457G01		
116	E17 326 718	G	Panel under 2 L			1	1				KB02A071G02		
117	E17 319 100	G	Filter	15							KB35B272G02		
118	E17 320 100	G	Filter	40	1						KB35B207G02		
119	E17 326 100	G	Filter	63		2	2				KB35B208G02		
120	E17 319 702	G	Drain hose		1	1	1				KB27T150H02		
121	E17 319 250	G	Screw assy		4	4	4				KB12H389G01		
122	E17 K91 660	G	Nut Flare	1/2(HOLE)	1						BG12S008L01		
123	E17 K92 660	G	Nut Flare	5/8(HOLE)		1	1				BG12S826K01		
124	E17 K90 660	G	Nut Flare	3/8(HOLE)			1				BH12D642L01		
125	E17 K89 660	G	Nut Flare	1/4(HOLE)	1	1					RG12F144K01		
126	E17 319 800	G	Panel duct assy S								KB00G751G07		
127	E17 320 800	G	Panel duct assy M		1						KB00G751G08		
128	E17 326 800	G	Panel duct assy L			1	1				KB00G751G09		

SEZ-M25,M35DA.TH
SEZ-M25,M35DAL.TH
SEZ-M25,M35DA.TH-ER

BLOWER PARTS (1)



*1 Motor (Parts No.206) comes with rubber mounts.

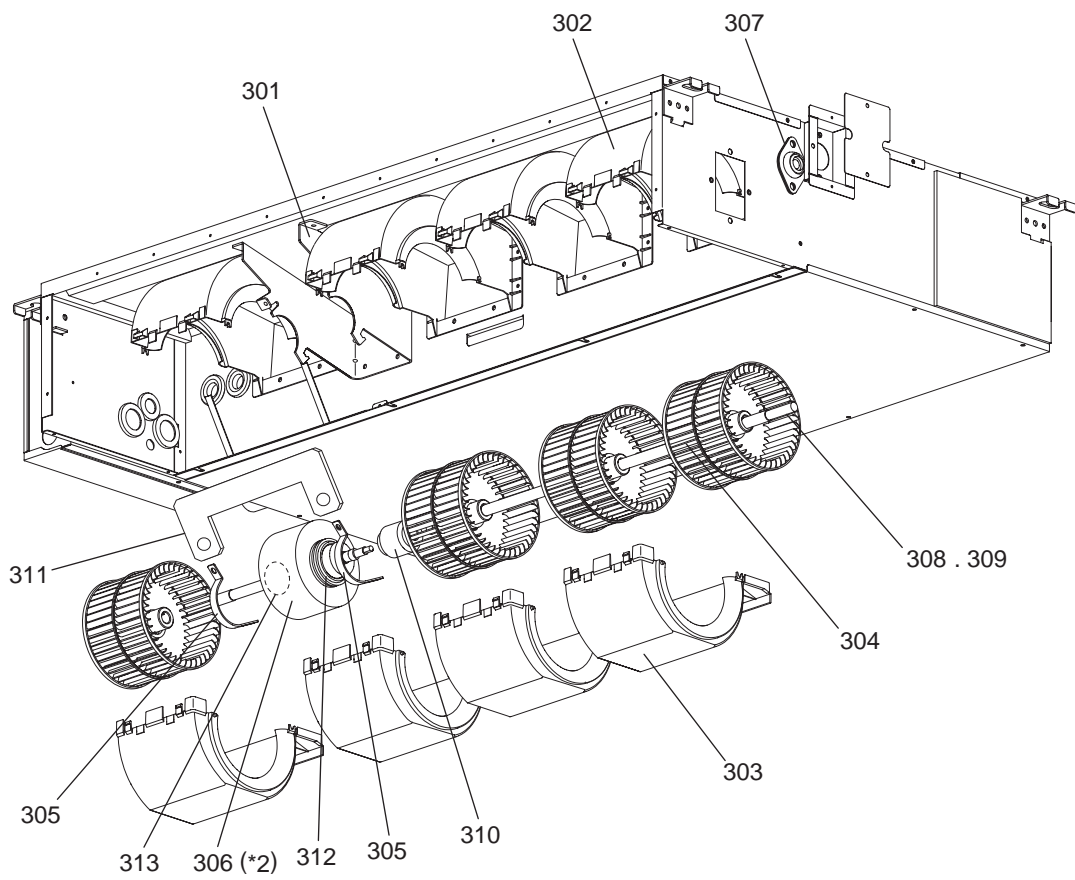
SEZ-M25,M35DA.TH
 SEZ-M25,M35DAL.TH
 SEZ-M25,M35DA.TH-ER

BLOWER PARTS (1)

No.	Part No.	G : RoHS Apply Only W : RoHS Apply by Running Change		Spec.	SEZ-M25DA.TH	SEZ-M35DA.TH	SEZ-M25DAL.TH	SEZ-M35DAL.TH	SEZ-M25DA.TH-ER	SEZ-M35DA.TH-ER	Dwg. No.	Notes for the models	Revision info.
			Part Name										
201	E17 319 128	G	Motor base		1	1	1	1	1	1	KB02B464G02		
202	E17 319 129	G	Fan case assy A		2	2	2	2	2	2	KB00G773G03		
203	E17 320 129	G	Fan case assy B		2	2	2	2	2	2	KB00G774G03		
204	E17 319 500	G	Sirocco fan assy		2	2	2	2	2	2	KB00H341G01		
205	KB02H047G02	G	Attachment		2	2	2	2	2	2	KB02H047G02		
206	E17 C45 300	G	Motor	SIC-70CW-D8114-1E	1	1	1	1	1	1	KS00T859G06	*1 Includes rubber mounts	
207	KB02U467G01	G	Attachment(M-LOCK)		1	1	1	1	1	1	KB02U467G01		
208	E17 C45 505	G	Rubber mount A		1	1	1	1	1	1	KJ31H007H01		
209	E17 C46 505	G	Rubber mount B		1	1	1	1	1	1	KJ31H008H01		

SEZ-M50,M60,M71DA.TH
SEZ-M50,M60,M71DAL.TH
SEZ-M50,M60,M71DA.TH-ER

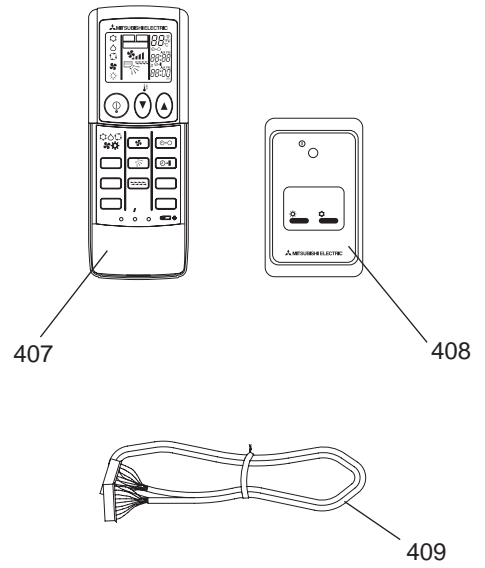
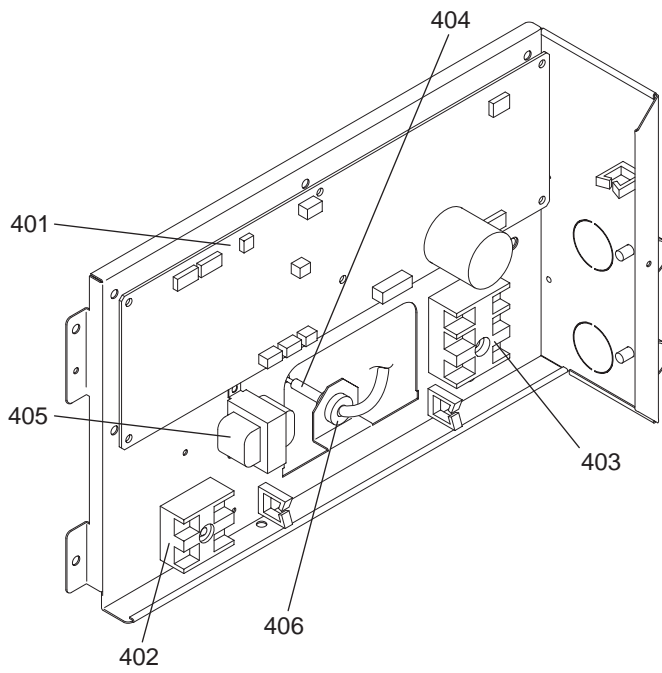
BLOWER PARTS (2)



*2 Motor (Parts No.306) comes with rubber mounts.

SEZ-M25,M35,M50,M60,M71DA.TH
SEZ-M25,M35,M50,M60,M71DAL.TH
SEZ-M25,M35,M50,M60,M71DA.TH-ER

CONTROL BOX PARTS



SEZ-M25,M35,M50,M60,M71DA.TH
SEZ-M25,M35,M50,M60,M71DAL.TH
SEZ-M25,M35,M50,M60,M71DA.TH-ER

CONTROL BOX PARTS

No.	Part No.	G : RoHS Apply Only W : RoHS Apply by Running Change		Spec.	SEZ-M35DAL.TH	SEZ-M50DAL.TH	SEZ-M60DAL.TH	SEZ-M71DAL.TH	SEZ-M25DA.TH-ER	SEZ-M35DA.TH-ER	Dwg. No.	Notes for the models	Revision info.
		Part Name											
401	E17 K89 447	G	Printed circuit assembly	INDOOR	1	1	1	1	1	1	KE01D279B09		
402	E17 156 375	G	Terminal block assy						1	1	BG00R200G62		
403	E17 162 375	G	Terminal block assy		1	1	1	1	1	1	BH00C267G02		
404	E17 319 308	G	Thermistor S	250XAP	1	1	1	1	1	1	RG71J628H01		
405	E17 434 337	G	Reactor	CHF				1			KE65D277H01		
406	E17 319 013	G	Bush	SRB-R-2	1	1	1	1	1	1	KB32K138H01		
407	E17 K99 426	G	Wireless remote controller		1	1	1	1			KF00D036H01		
408	E17 K99 317	G	Signal receiving unit		1	1	1	1			KF00D037H01		
409	E17 430 087	G	Cable	SIGNAL RECEIVING UNIT	1	1	1	1			KB00G968G01		

