

SERVICE PARTS LIST FOR MITSUBISHI ELECTRIC PACKAGED AIR-CONDITIONERS

Series : PURY-P·Y(S)NW-A1(-BS)

For use with the R410A

Mar. 2020
BWE019260

INDEX
PURY-P200YNW-A1(-BS)
PURY-P250YNW-A1(-BS)
PURY-P300YNW-A1(-BS)
PURY-P350YNW-A1(-BS)
PURY-P400YNW-A1(-BS)
PURY-P450YNW-A1(-BS)
PURY-P500YNW-A1(-BS)
PURY-P550YNW-A1(-BS)

The Package name list

PURY-P400YSNW-A1(-BS) [PURY-P200YNW-A1(-BS)+PURY-P200YNW-A1(-BS)]

PURY-P450YSNW-A1(-BS) [PURY-P200YNW-A1(-BS)+PURY-P250YNW-A1(-BS)]

PURY-P500YSNW-A1(-BS) [PURY-P250YNW-A1(-BS)+PURY-P250YNW-A1(-BS)]

PURY-P550YSNW-A1(-BS) [PURY-P250YNW-A1(-BS)+PURY-P300YNW-A1(-BS)]

PURY-P600YSNW-A1(-BS) [PURY-P300YNW-A1(-BS)+PURY-P300YNW-A1(-BS)]

PURY-P650YSNW-A1(-BS) [PURY-P300YNW-A1(-BS)+PURY-P350YNW-A1(-BS)]

PURY-P700YSNW-A1(-BS) [PURY-P350YNW-A1(-BS)+PURY-P350YNW-A1(-BS)]

PURY-P750YSNW-A1(-BS) [PURY-P350YNW-A1(-BS)+PURY-P400YNW-A1(-BS)]

PURY-P800YSNW-A1(-BS) [PURY-P400YNW-A1(-BS)+PURY-P400YNW-A1(-BS)]

PURY-P850YSNW-A1(-BS) [PURY-P400YNW-A1(-BS)+PURY-P450YNW-A1(-BS)]

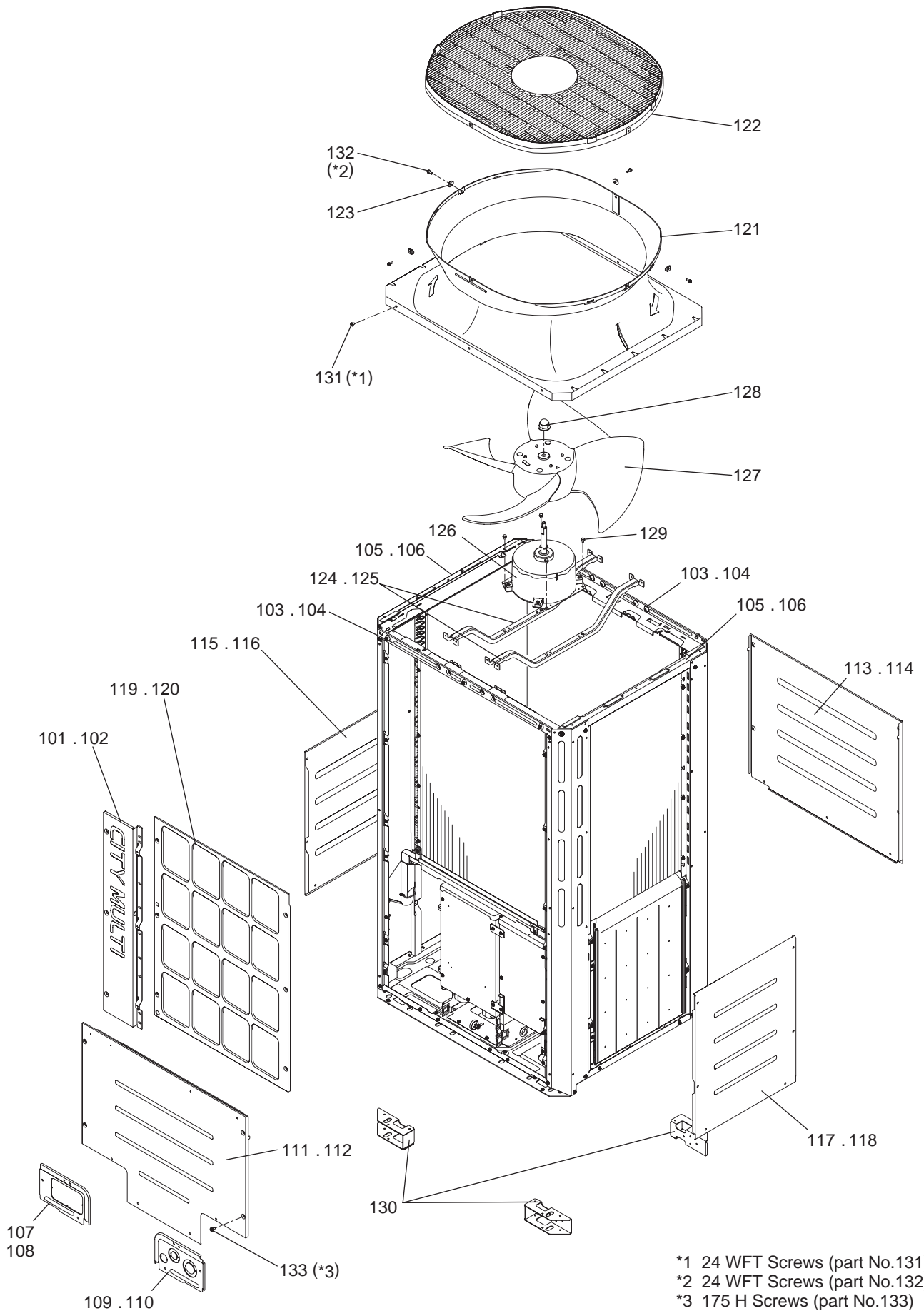
PURY-P900YSNW-A1(-BS) [PURY-P450YNW-A1(-BS)+PURY-P450YNW-A1(-BS)]

PURY-P950YSNW-A1(-BS) [PURY-P450YNW-A1(-BS)+PURY-P500YNW-A1(-BS)]

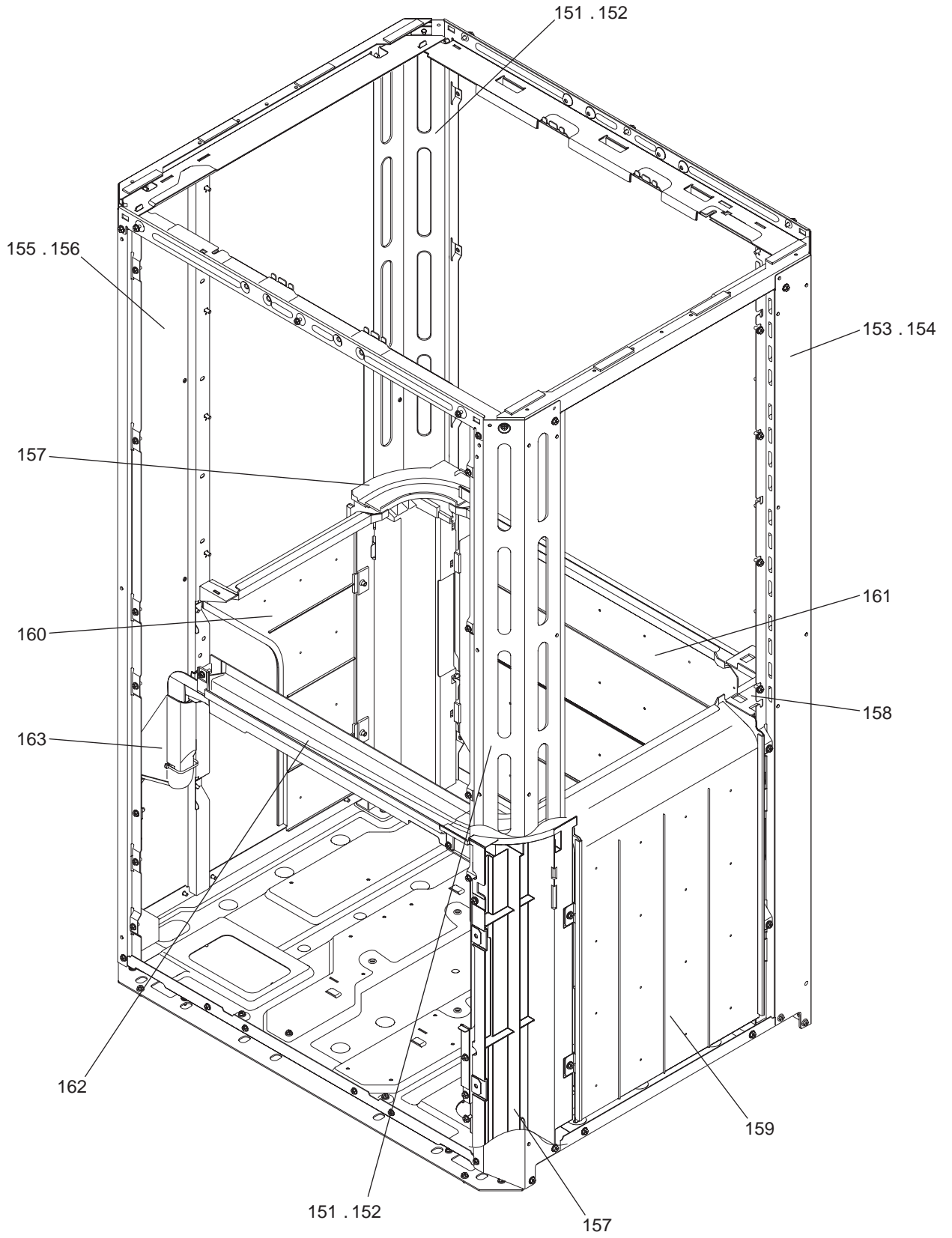
PURY-P1000YSNW-A1(-BS) [PURY-P500YNW-A1(-BS)+PURY-P500YNW-A1(-BS)]

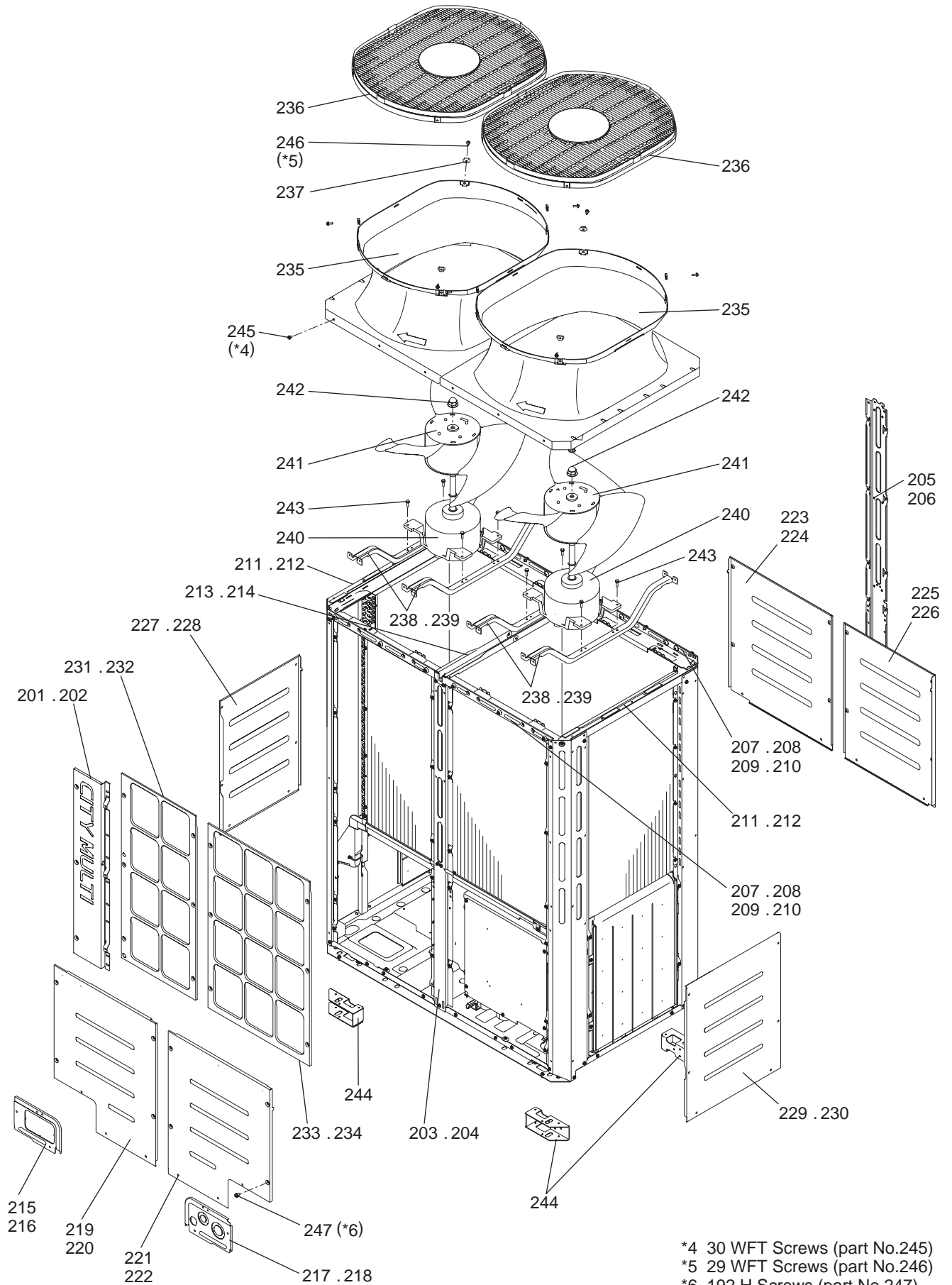
PURY-P1050YSNW-A1(-BS) [PURY-P500YNW-A1(-BS)+PURY-P550YNW-A1(-BS)]

PURY-P1100YSNW-A1(-BS) [PURY-P550YNW-A1(-BS)+PURY-P550YNW-A1(-BS)]

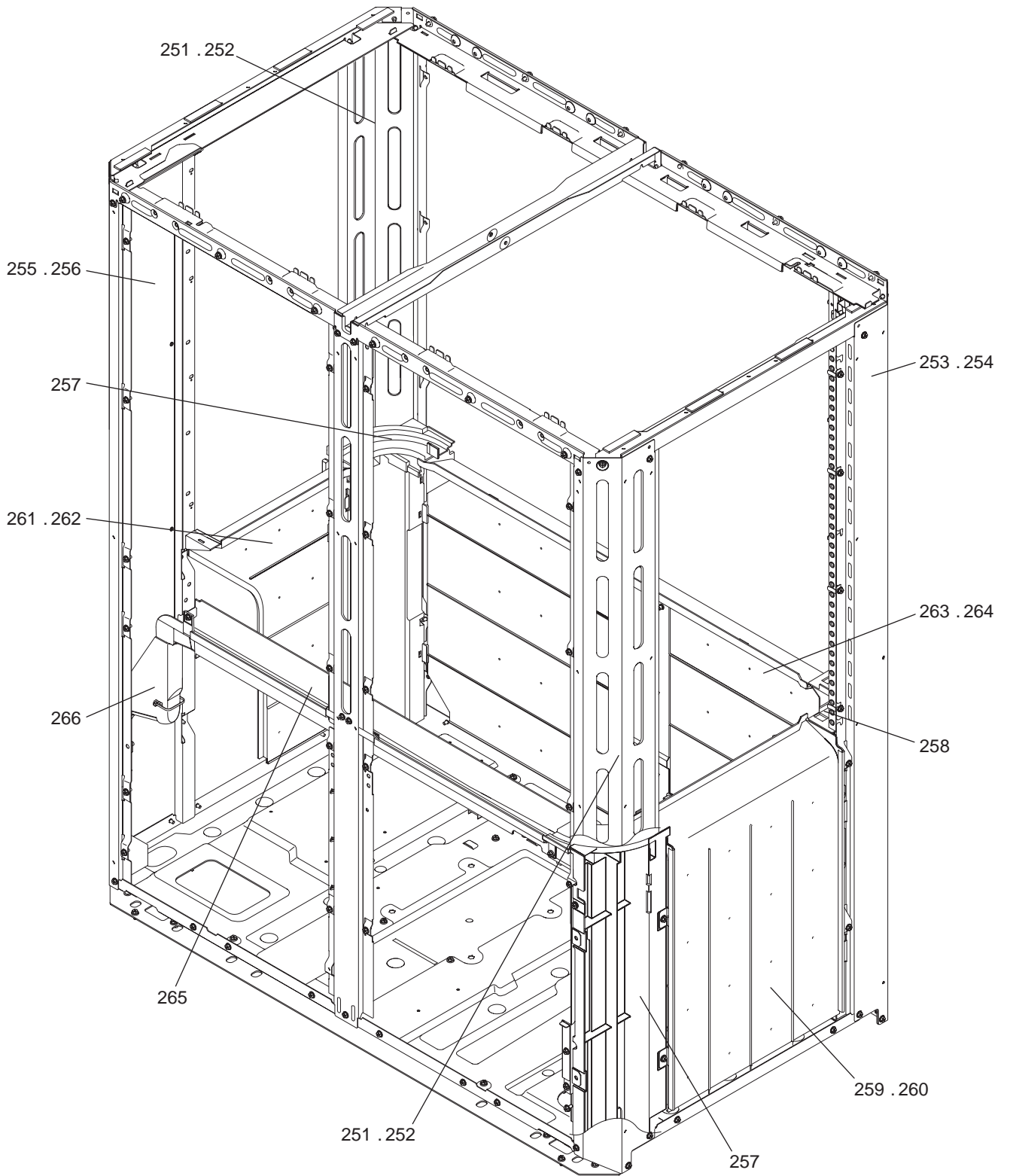


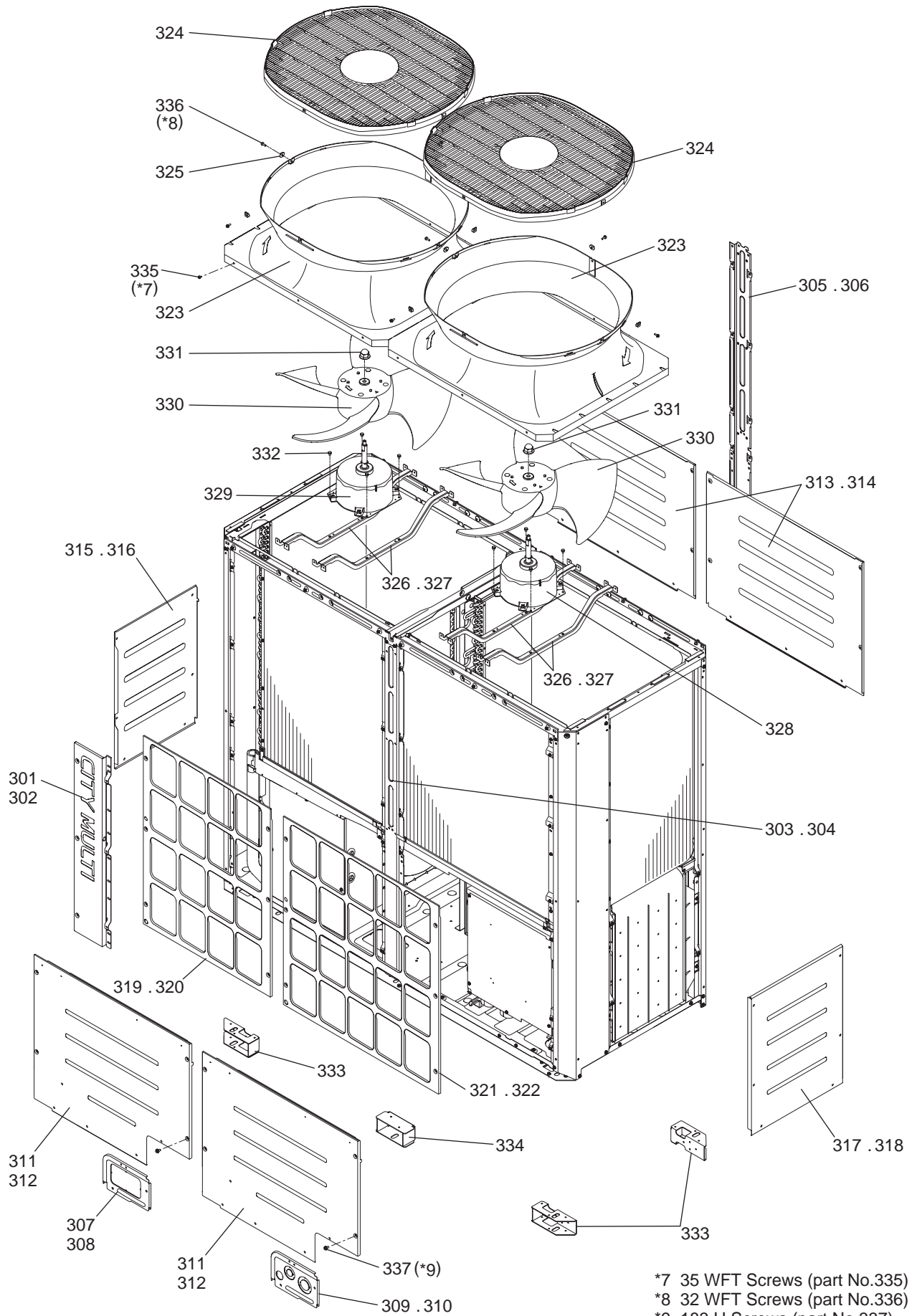
- *1 24 WFT Screws (part No.131)
- *2 24 WFT Screws (part No.132)
- *3 175 H Screws (part No.133)

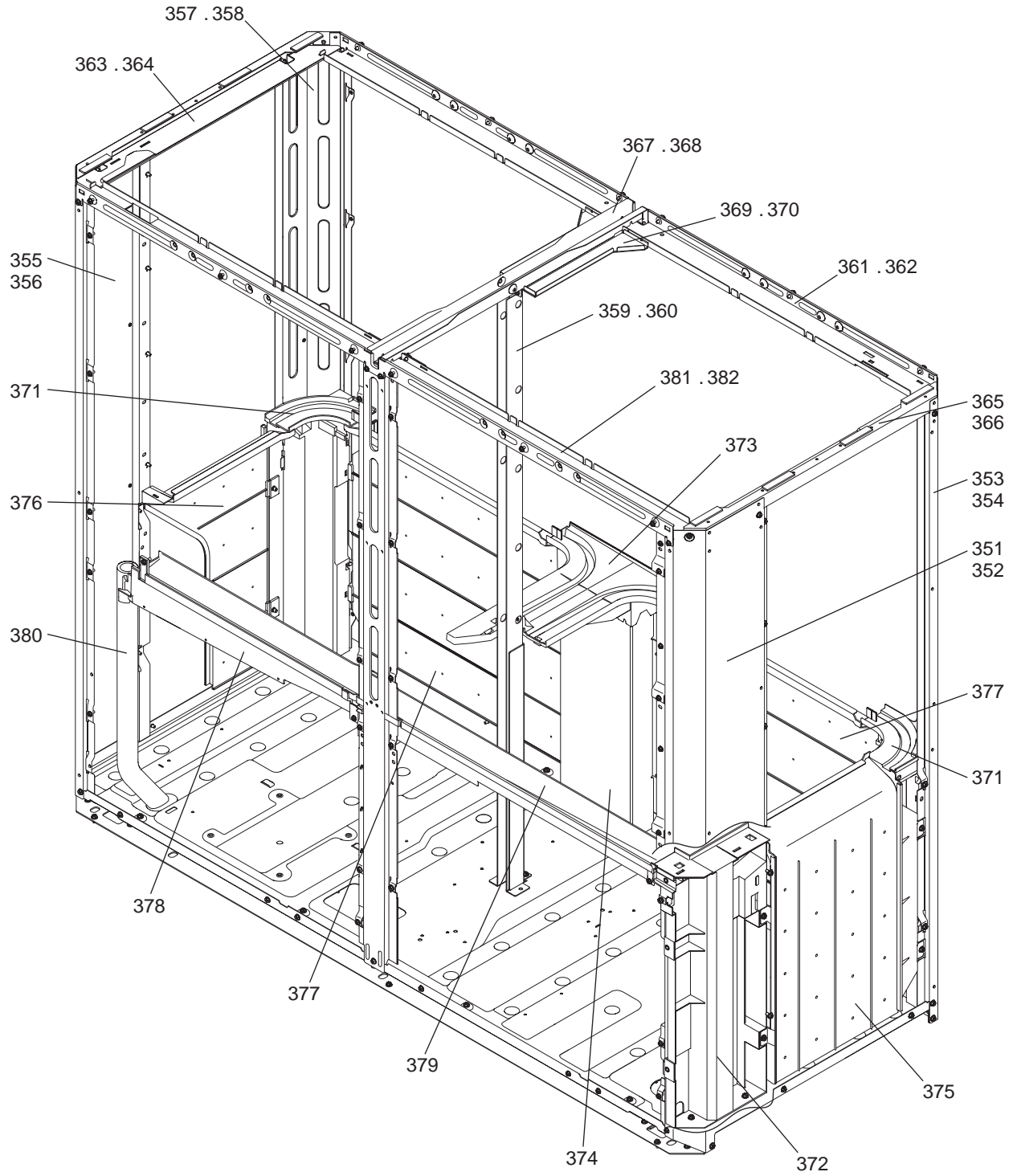


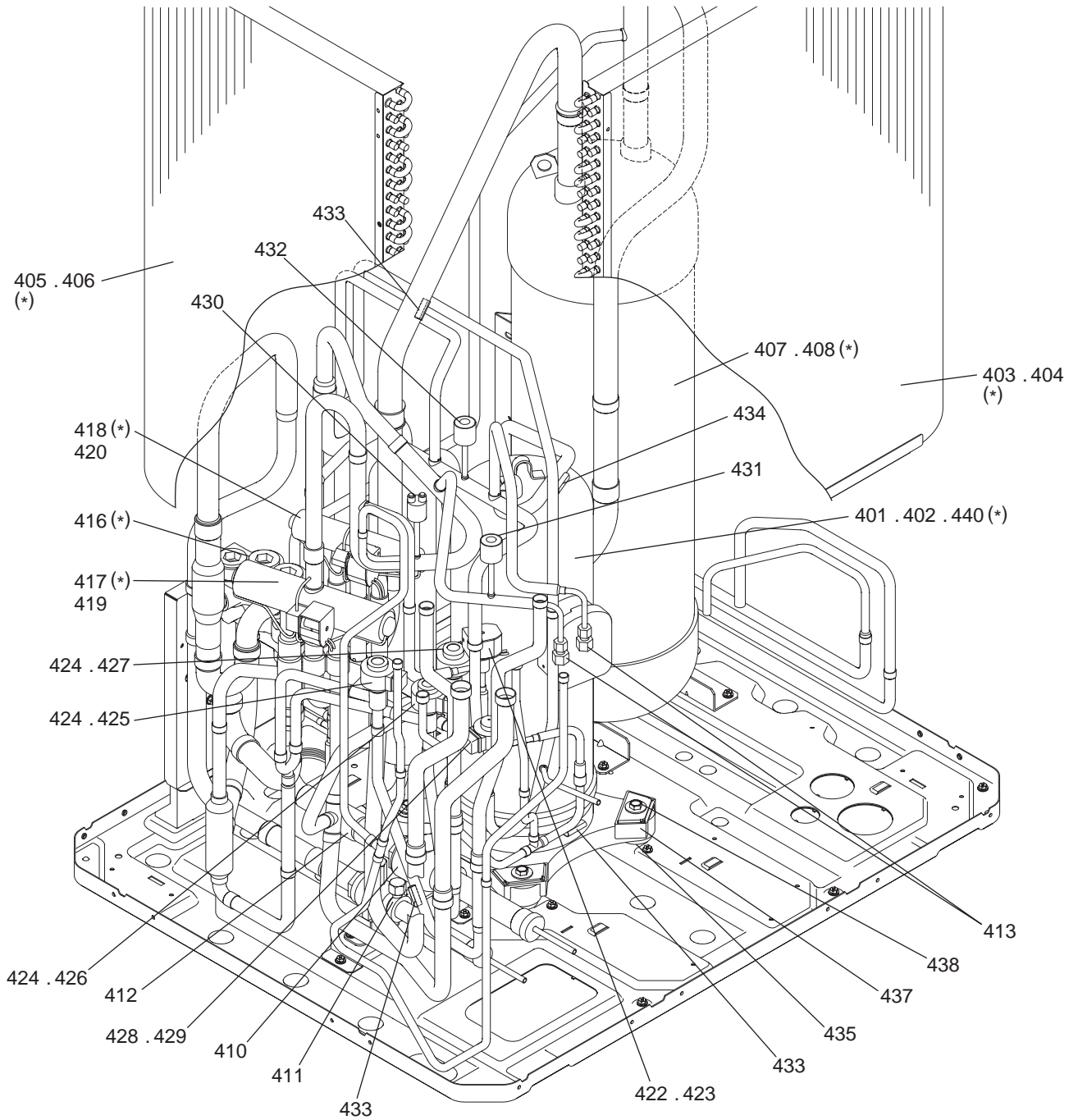


No.	Part No.	Part Name	Spec.	PURY-P350YNW-A1	PURY-P350YNW-A1-BS	PURY-P400YNW-A1	PURY-P400YNW-A1-BS	PURY-P450YNW-A1	PURY-P450YNW-A1-BS	Dwg. No.	Notes for the models	Revision info.
201	R61 043 626	Pillar LF2		1		1		1		KJ00F066G09		
202	R61 044 626	Pillar LF2	BS		1		1		1	KJ00F066G10		
203	R61 070 626	Pillar assy C		1		1		1		KS00L326G13		
204	R61 071 626	Pillar assy C	BS		1		1		1	KS00L326G14		
205	R61 082 626	Pillar C		1		1		1		KS00L327G13		
206	R61 083 626	Pillar C	BS		1		1		1	KS00L327G14		
207	R61 134 162	Frame assy FB		2		2				KL00G709G03		
208	R61 135 162	Frame assy FB	BS		2		2			KL00G709G04		
209	R61 136 162	Frame assy FB 3L						2		KL00G717G03		
210	R61 137 162	Frame assy FB 3L	BS					2		KL00G717G04		
211	R61 171 162	Frame assy LR		2		2		2		KS00L332G13		
212	R61 172 162	Frame assy LR	BS		2		2	2		KS00L332G14		
213	R61 162 162	Frame assy C		1		1		1		KJ00K843G01		
214	R61 163 162	Frame assy C	BS		1		1	1		KJ00K843G02		
215	R61 218 690	Piping cover		1		1		1		KJ00F069G05		
216	R61 219 690	Piping cover	BS		1		1	1		KJ00F069G06		
217	R61 220 690	Wiring cover		1		1		1		KJ00F070G05		
218	R61 221 690	Wiring cover	BS		1		1	1		KJ00F070G06		
219	R61 390 651	Panel FL		1		1		1		KS00L335G07		
220	R61 391 651	Panel FL	BS		1		1	1		KS00L335G08		
221	R61 392 651	Panel FR		1		1		1		KS00L336G09		
222	R61 393 651	Panel FR	BS		1		1	1		KS00L336G10		
223	R61 394 651	Panel BL		1		1		1		KD02B680H02		
224	R61 395 651	Panel BL	BS		1		1	1		KS00R824G01		
225	R61 396 651	Panel BR		1		1		1		KD02B681H02		
226	R61 397 651	Panel BR	BS		1		1	1		KS00R825G01		
227	R61 383 651	Panel L		1		1		1		KS02R320H02		
228	R61 384 651	Panel L	BS		1		1	1		KS00R822G01		
229	R61 385 651	Panel R		1		1		1		KS02R321H02		
230	R61 386 651	Panel R	BS		1		1	1		KS00R823G01		
231	R61 020 611	Fin guard FL		1		1		1		KD02B849H02		
232	R61 021 611	Fin guard FL	BS		1		1	1		KS00T210G02		
233	R61 022 611	Fin guard FR		1		1		1		KD02B850H01		
234	R61 023 611	Fin guard FR	BS		1		1	1		KS00T211G01		
235	R61 016 119	Bell mouth		2	2	2	2	2	2	KB25Y025G02		
236	R61 019 118	Fan guard		2	2	2	2	2	2	KB25Y024G01		
237	R61 009 669	Plate fanguard		8	8	8	8	8	8	KD02D205H02		
238	R61 040 140	Base fan		4		4		4		KS02B161H01		
239	R61 041 140	Base fan	BS		4		4	4		KS02B161G01		
240	R61 351 220	Motor	LM-750-F4-1	2	2	2	2	2	2	P780354X02		
241	R61 048 114	Fan	550D	2	2	2	2	2	2	KB25A994H02		
242	R63 4H6 122	Box nut	M12 CH	2	2	2	2	2	2	P552000X01		
243	R61 028 087	Upset screw	M6 x 22	8	8	8	8	8	8	P516049X01		
244	R61 042 130	Attachment leg		4	4	4	4	4	4	KJ00F064G02		
245	R63 006 087	WFT screw	M5 x 12(30pcs)	1	1	1	1	1	1	KB00H418G01	*4	

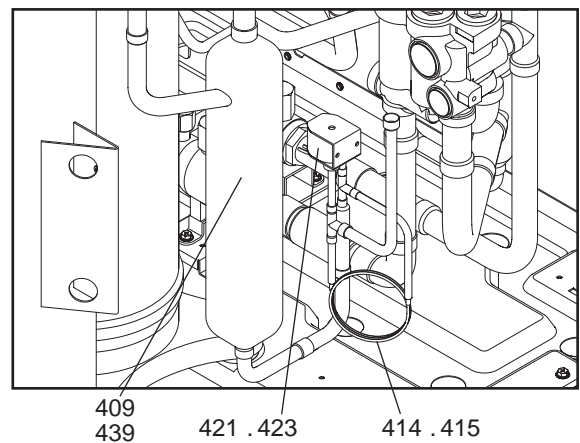
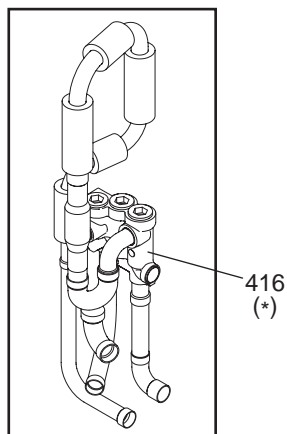
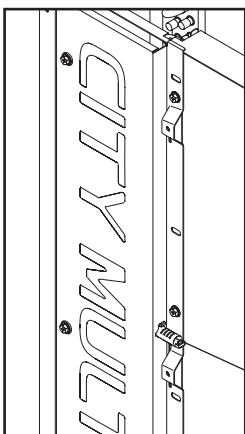




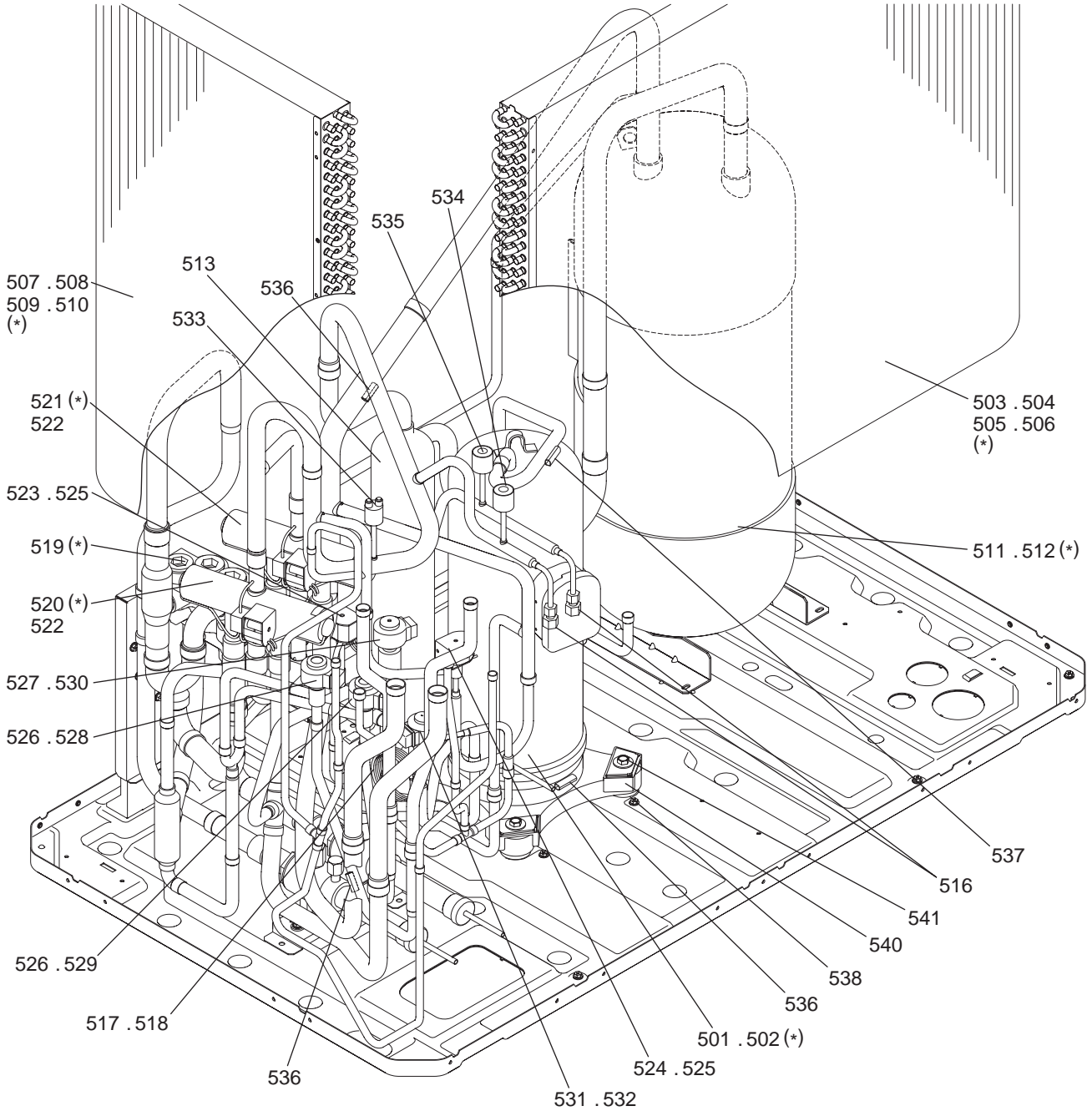




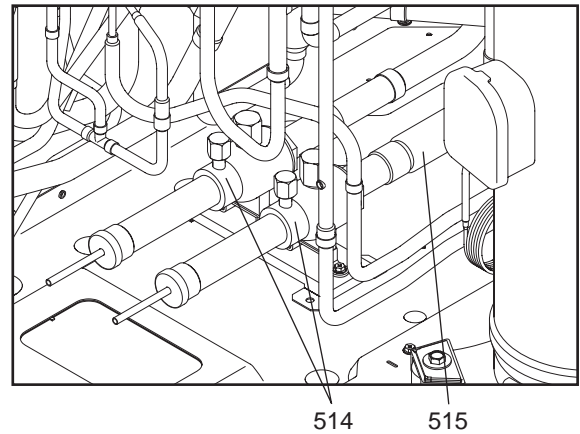
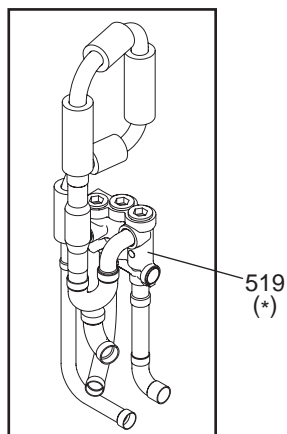
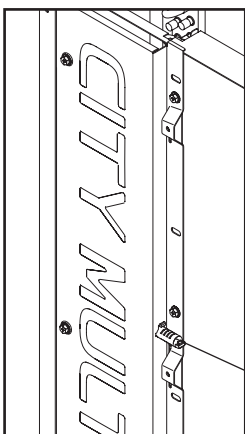
* with instructions



No.	Part No.	Part Name	Spec.	PURY-P200YNW-A1	PURY-P200YNW-A1-BS	PURY-P250YNW-A1	PURY-P250YNW-A1-BS	PURY-P300YNW-A1	PURY-P300YNW-A1-BS	Dwg. No.	Notes for the models	Revision info.
401	R69 187 478	Scroll compressor SP kit	HNS51FA-YE			1	1			EP10155B01	*	
402	R69 165 478	Scroll compressor SP kit	HNS68FA-YE					1	1	EP10157B01	*	
403	R61 G36 480	Heat exchanger SP kit	2L F	1		1		1		KJ00H789G01	*	
404	R61 G02 480	Heat exchanger SP kit	2L F BS		1		1		1	KJ00H789G02	*	
405	R61 G25 480	Heat exchanger SP kit	2L R	1		1		1		KJ00H790G01	*	
406	R61 G07 480	Heat exchanger SP kit	2L R BS		1		1		1	KJ00H790G02	*	
407	R61 176 484	Accumulator assy SP kit		1		1		1		KS00D242G26	*	
408	R61 177 484	Accumulator assy SP kit	BS		1		1		1	KS00D242G27	*	
409	R61 059 487	Oil separator assy		1	1					KL00L263G01		
410	R61 019 410	Ball valve	SBV10-005	1	1	1	1	1	1	P636404X01	<BV1>	
411	R61 020 410	Valve	SBV07-005	1	1	1	1	1	1	P636405X01	<BV2>	
412	R61 015 454	Strainer	28.6D-25.4D	1	1	1	1	1	1	P641144X01	<ST1>	
413	R61 007 413	Check joint L	TCJ-2GME-5	2	2	2	2	2	2	KR50C388H01	<CJ1,CJ2>	
414	R63 002 425	Capillary tube assy		1	1	1	1			KB49F229G01	<CP1>	
415	R63 R34 425	Capillary tube assy						1	1	W905625G02	<CP1>	
416	R61 093 418	CV block SP kit		1	1	1	1	1	1	KS00D243G01	<CV BLOCK,CV5a>*	
417	R61 018 403	Four way valve A SP kit		1	1	1	1	1	1	KS00D244G01	<21S4a>*	
418	R61 019 403	Four way valve B SP kit		1	1	1	1	1	1	KS00D244G02	<21S4b>*	
419	R61 016 242	Four way valve coil	SQ-A2122G-005025-RK	1	1	1	1	1	1	P472115X02	<21S4a>	
420	R61 021 242	Four way valve coil	STF-H01AJ2355A1	1	1	1	1	1	1	P472118X01	<21S4b>	
421	R63 046 232	Solenoid valve	FD2A77	1	1	1	1	1	1	P631312X01	<SV1a>	
422	R13 018 921	Solenoid valve	FD4A-016-RK	1	1	1	1	1	1	P631311X01	<SV2>	
423	R61 055 243	Solenoid valve coil	FQ-A0122G-0015724	2	2	2	2	2	2	P472116X01	<SV1a,SV2>	
424	R61 107 401	Linear expansion valve	PAM-BB0YGMD-2	3	3	3	3	3	3	KR50C486H01	<LEV2a,LEV2b,LEV2d>	
425	R61 108 401	Linear expansion valve coil	PAM-MD12MD-17	1	1	1	1	1	1	P472109X01	<LEV2a>	
426	R61 109 401	Linear expansion valve coil	PAM-MD12MD-18	1	1	1	1	1	1	P472110X01	<LEV2b>	
427	R61 110 401	Linear expansion valve coil	PAM-MD12MD-25	1	1	1	1	1	1	KR50C487H01	<LEV2d>	
428	R63 R34 401	Linear expansion valve	CAM-B35YGMD-2	1	1	1	1	1	1	P632416X01	<LEV9>	
429	R61 111 401	Linear expansion valve coil	CAM-MD12MD-125	1	1	1	1	1	1	P472113X01	<LEV9>	
430	R61 052 208	Pressure switch	ACB-1UB179W	1	1	1	1	1	1	P426346X01	<63H>	
431	R61 137 288	Pressure sensor	NSK-BH042D-501	1	1	1	1	1	1	KB00H904G30	<63HS>	
432	R61 097 288	Pressure sensor	NSK-BH017D-602	1	1	1	1	1	1	KB00H904G31	<63LS>	
433	R61 280 200	Thermistor	PXM-41E-M105-01Y	4	4	4	4	4	4	P418144X01	<TH3,TH5,TH7,TH15>	
434	R61 294 200	Thermistor	PX2M-56D-M2	1	1	1	1	1	1	P418110X01	<TH4>	
435	R63 852 860	Rubber mount		4	4	4	4	4	4	W897574H01	For compressor	
436	R61 001 310	Sensor holder		1	1	1	1	1	1	KB25B471G02		
437	R61 027 155	Attachment (HH)		2	2	2	2	2	2	KJ00F713G04		
438	R61 009 306	Bolt	M6	4	4	4	4	4	4	KJ12F711H05		
439	R61 060 487	Oil separator assy				1	1	1	1	KL00L207G01		
440	R69 163 478	Scroll compressor SP kit	ENB62FD-YEH	1	1					EP10132B16	*	



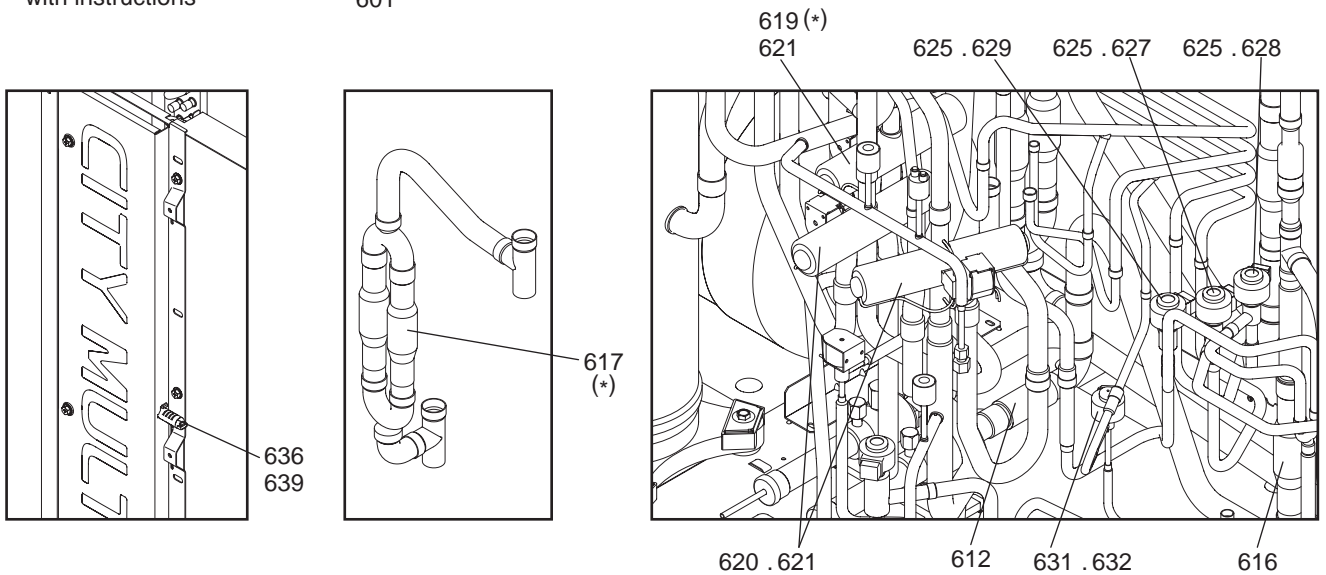
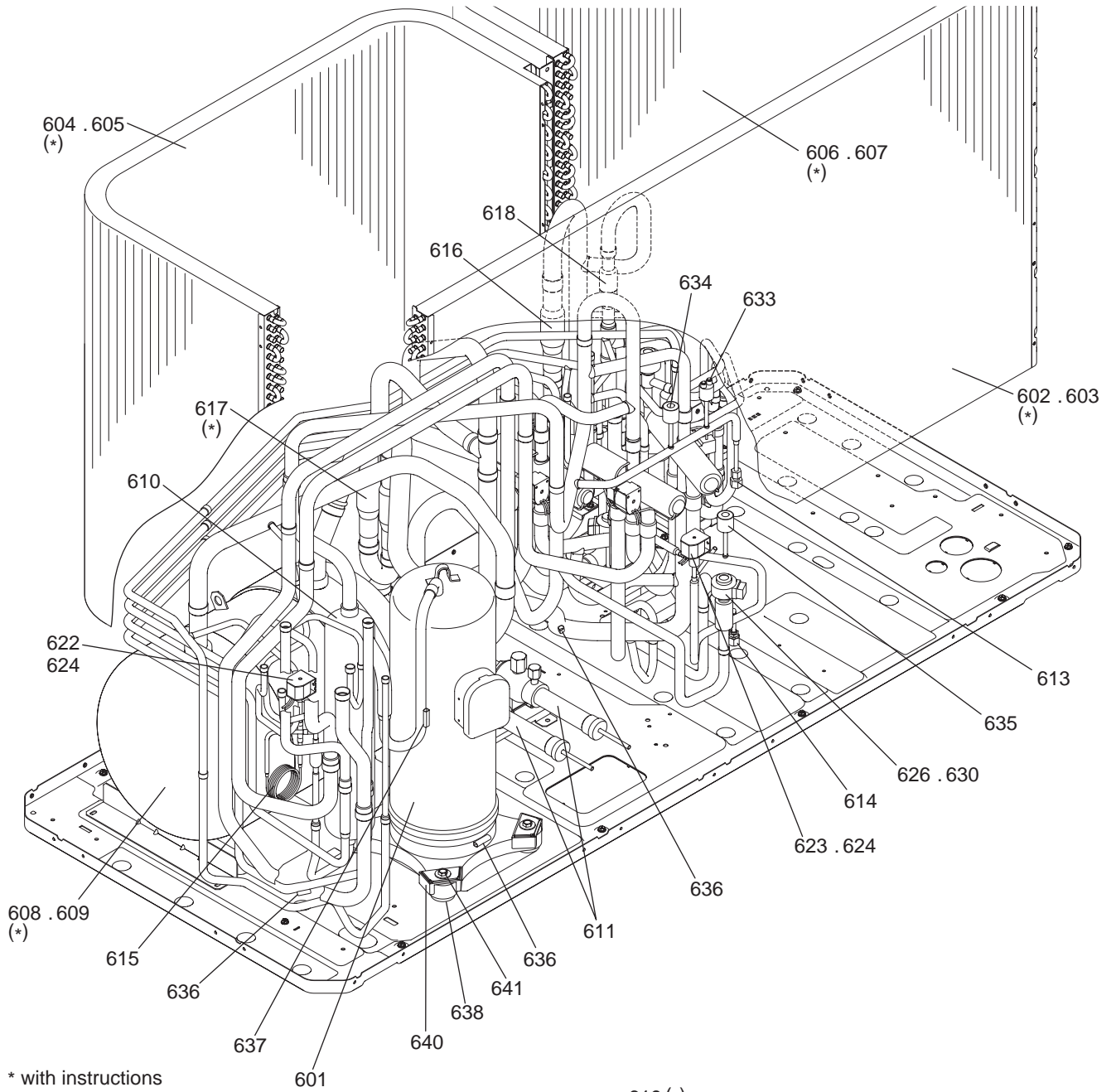
* with instructions



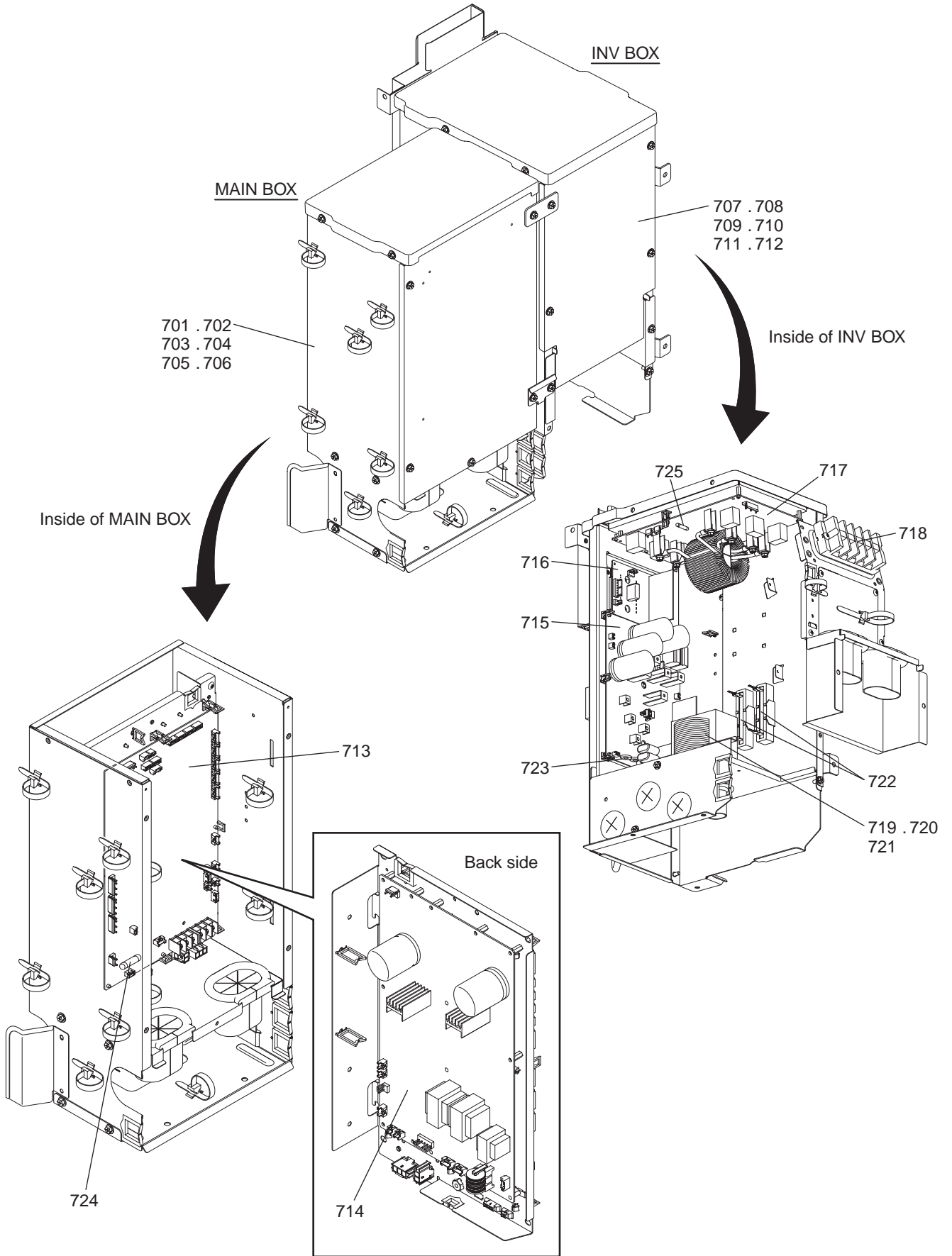
PURY-P350,P400,P450YNW-A1
PURY-P350,P400,P450YNW-A1-BS

FUNCTIONAL PARTS (2)

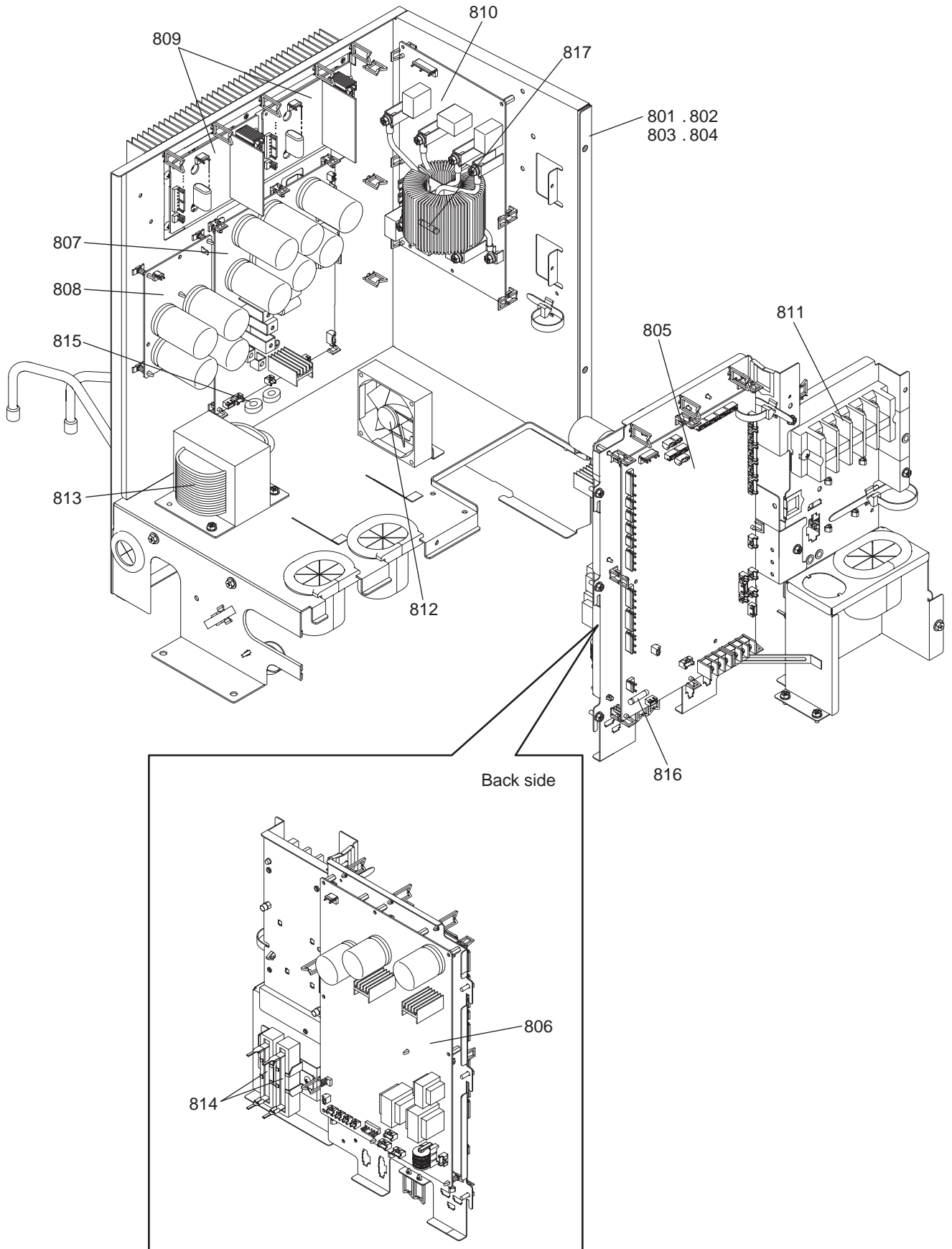
No.	Part No.	Part Name	Spec.	PURY-P350YNW-A1	PURY-P350YNW-A1-BS	PURY-P400YNW-A1	PURY-P400YNW-A1-BS	PURY-P450YNW-A1	PURY-P450YNW-A1-BS	Dwg. No.	Notes for the models	Revision info.
501	R69 165 478	Scroll compressor SP kit	HNS68FA-YE	1	1					EP10157B01	*	
502	R69 188 478	Scroll compressor SP kit	HNB84FE-YE			1	1	1	1	EP10126B07	*	
503	R61 G09 480	Heat exchanger SP kit	2L F	1		1				KJ00H791G01	*	
504	R61 H46 480	Heat exchanger SP kit	2L F BS		1		1			KJ00H791G02	*	
505	R61 G34 480	Heat exchanger SP kit	3L F					1		KJ00H793G01	*	
506	R61 H48 480	Heat exchanger SP kit	3L F BS						1	KJ00H793G02	*	
507	R61 G31 480	Heat exchanger SP kit	2L R	1		1				KJ00H792G01	*	
508	R61 H47 480	Heat exchanger SP kit	2L R BS		1		1			KJ00H792G02	*	
509	R61 G37 480	Heat exchanger SP kit	3L R					1		KJ00H794G01	*	
510	R61 H49 480	Heat exchanger SP kit	3L R BS						1	KJ00H794G02	*	
511	R61 178 484	Accumulator assy SP kit		1		1		1		KS00D242G28	*	
512	R61 179 484	Accumulator assy SP kit	BS		1		1		1	KS00D242G29	*	
513	R61 061 487	Oil separator assy		1	1	1	1	1	1	KL00L287G01		
514	R61 019 410	Ball valve	SBV10-005	2	2	2	2	2	2	P636404X01	<BV1,BV2>	
515	R61 015 454	Strainer	28.6D-25.4D	1	1	1	1	1	1	P641144X01	<ST1>	
516	R61 007 413	Check joint L	TCJ-2GME-5	2	2	2	2	2	2	KR50C388H01	<CJ1,CJ2>	
517	R63 R34 425	Capillary tube assy		1	1					W905625G02	<CP1>	
518	R61 014 425	Capillary tube assy				1	1	1	1	KB49M503G01	<CP1>	
519	R61 092 418	CV block SP kit		1	1	1	1	1	1	KS00D243G02	<CV BLOCK,CV5a>*	
520	R61 020 403	Four way valve A SP kit		1	1	1	1	1	1	KS00D244G03	<21S4a>*	
521	R61 021 403	Four way valve B SP kit		1	1	1	1	1	1	KS00D244G04	<21S4b>*	
522	R61 016 242	Four way valve coil	SQ-A2122G-005025-RK	2	2	2	2	2	2	P472115X02	<21S4a,21S4b>	
523	R63 046 232	Solenoid valve	FDFA2A77	1	1	1	1	1	1	P631312X01	<SV1a>	
524	R13 018 921	Solenoid valve	FDFA4-016-RK	1	1	1	1	1	1	P631311X01	<SV2>	
525	R61 055 243	Solenoid valve coil	FQ-A0122G-0015724	2	2	2	2	2	2	P472116X01	<SV1a,SV2>	
526	R61 107 401	Linear expansion valve	PAM-BB0YGMD-2	2	2	2	2	2	2	KR50C486H01	<LEV2a,LEV2b>	
527	R61 112 401	Linear expansion valve	PDM-BD130MD-1	1	1	1	1	1	1	P632630X01	<LEV2d>	
528	R61 108 401	Linear expansion valve coil	PAM-MD12MD-17	1	1	1	1	1	1	P472109X01	<LEV2a>	
529	R61 109 401	Linear expansion valve coil	PAM-MD12MD-18	1	1	1	1	1	1	P472110X01	<LEV2b>	
530	R61 113 401	Linear expansion valve coil	PAM-MD12MD-20	1	1	1	1	1	1	P472112X01	<LEV2d>	
531	R63 R34 401	Linear expansion valve	CAM-B35YGMD-2	1	1	1	1	1	1	P632416X01	<LEV9>	
532	R61 111 401	Linear expansion valve coil	CAM-MD12MD-125	1	1	1	1	1	1	P472113X01	<LEV9>	
533	R61 052 208	Pressure switch	ACB-1UB179W	1	1	1	1	1	1	P426346X01	<63H>	
534	R61 098 288	Pressure sensor	NSK-BH042D-501	1	1	1	1	1	1	KB00H904G32	<63HS>	
535	R61 138 288	Pressure sensor	NSK-BH017D-602	1	1	1	1	1	1	KB00H904G33	<63LS>	
536	R61 280 200	Thermistor	PXM-41E-M105-01Y	4	4	4	4	4	4	P418144X01	<TH3,TH5,TH7,TH15>	
537	R61 294 200	Thermistor	PX2M-56D-M2	1	1	1	1	1	1	P418110X01	<TH4>	
538	R63 852 860	Rubber mount		4	4	4	4	4	4	W897574H01	For compressor	
539	R61 001 310	Sensor holder		1	1	1	1	1	1	KB25B471G02		
540	R61 027 155	Attachment (HH)		2	2	2	2	2	2	KJ00F713G04		
541	R61 009 306	Bolt	M6	4	4	4	4	4	4	KJ12F711H05		



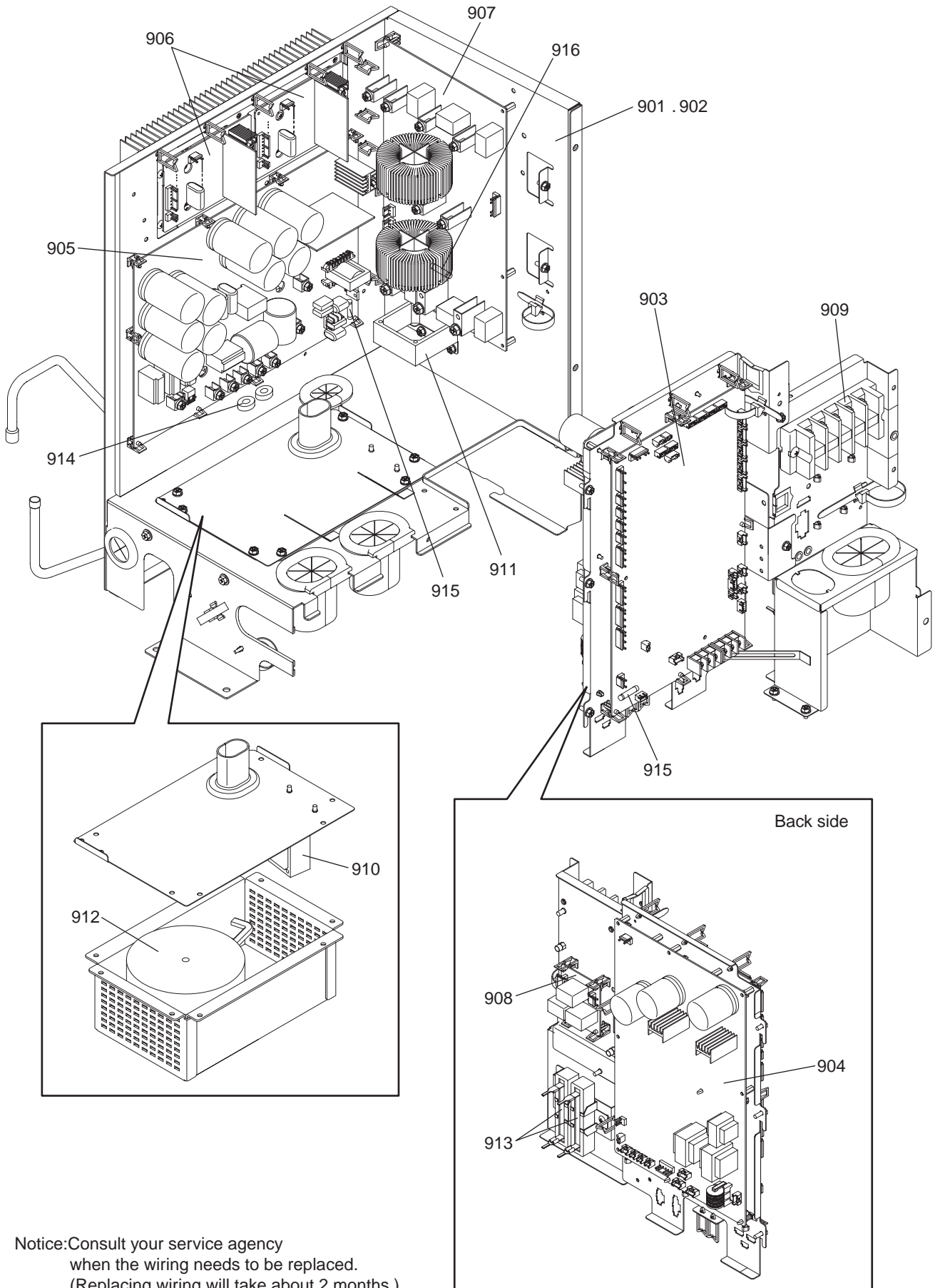
No.	Part No.	Part Name	Spec.	PURY-P500YNW-A1	PURY-P500YNW-A1-BS	PURY-P550YNW-A1	PURY-P550YNW-A1-BS	Dwg. No.	Notes for the models	Revision info.
601	R69 171 478	Scroll compressor	HNB97FB-YE	1	1	1	1	EP10148B04		
602	R61 G08 480	Heat exchanger SP kit	2L F	1		1		KJ00H795G01	*	
603	R61 H50 480	Heat exchanger SP kit	2L F BS		1		1	KJ00H795G02	*	
604	R61 G12 480	Heat exchanger SP kit	2L L	1		1		KJ00H796G01	*	
605	R61 H52 480	Heat exchanger SP kit	2L L BS		1		1	KJ00H796G02	*	
606	R61 G13 480	Heat exchanger SP kit	2L R	1		1		KJ00H797G01	*	
607	R61 K79 480	Heat exchanger SP kit	2L R BS		1		1	KJ00H797G02	*	
608	R61 180 484	Accumulator assy SP kit		1		1		KS00D242G30	*	
609	R61 181 484	Accumulator assy SP kit	BS		1		1	KS00D242G31	*	
610	R61 062 487	Oil separator assy		1	1	1	1	KL00L164G01		
611	R61 019 410	Ball valve	SBV10-005	2	2	2	2	P636404X01	<BV1,BV2>	
612	R61 016 454	Strainer	28.6D-28.8D	1	1	1	1	P641146X01	<ST1>	
613	R61 008 413	Check joint	TCJ-2GME-4	1	1	1	1	KR50C379H01	<CJ1>	
614	R63 R34 413	Check joint L	R410A	1	1	1	1	P666004X02	<CJ2>	
615	R63 R55 425	Capillary tube assy		1	1	1	1	W905191G02	<CP1>	
616	R61 065 418	Check valve	YBV-22Y9GMD-2	2	2	2	2	P639183X02	<CV3a,CV5a>	
617	R61 091 418	CV assy SP kit		1	1	1	1	KS00D243G04	<CV2a,CV2b>*	
618	R61 019 418	Check valve	UCV-A1507DQ4	1	1	1	1	P633135X01	<CV6a>	
619	R61 022 403	Four way valve A SP kit		1	1	1	1	KS00D244G05	<21S4a>*	
620	R61 013 403	Four way valve	STF-H0731	2	2	2	2	P633130X01	<21S4b,21S4c>	
621	R61 021 242	Four way valve coil	STF-H01AJ2355A1	3	3	3	3	P472118X01	<21S4a,21S4b,21S4c>	
622	R63 046 232	Solenoid valve	FDFA2A77	1	1	1	1	P631312X01	<SV1a>	
623	R13 018 921	Solenoid valve	FDFA-016-RK	1	1	1	1	P631311X01	<SV2>	
624	R61 055 243	Solenoid valve coil	FQ-A0122G-0015724	2	2	2	2	P472116X01	<SV1a,SV2>	
625	R61 107 401	Linear expansion valve	PAM-BB0YGMD-2	3	3	3	3	KR50C486H01	<LEV2a,LEV2b,LEV2c>	
626	R61 112 401	Linear expansion valve	PDM-BD130MD-1	1	1	1	1	P632630X01	<LEV2d>	
627	R61 108 401	Linear expansion valve coil	PAM-MD12MD-17	1	1	1	1	P472109X01	<LEV2a>	
628	R61 109 401	Linear expansion valve coil	PAM-MD12MD-18	1	1	1	1	P472110X01	<LEV2b>	
629	R61 114 401	Linear expansion valve coil	PAM-MD12MD-19	1	1	1	1	P472111X01	<LEV2c>	
630	R61 113 401	Linear expansion valve coil	PAM-MD12MD-20	1	1	1	1	P472112X01	<LEV2d>	
631	R63 R34 401	Linear expansion valve	CAM-B35YGMD-2	1	1	1	1	P632416X01	<LEV9>	
632	R61 111 401	Linear expansion valve coil	CAM-MD12MD-125	1	1	1	1	P472113X01	<LEV9>	
633	R61 052 208	Pressure switch	ACB-1UB179W	1	1	1	1	P426346X01	<63H>	
634	R61 139 288	Pressure sensor	NSK-BH042D-501	1	1	1	1	KB00H904G34	<63HS>	
635	R61 140 288	Pressure sensor	NSK-BH017D-602	1	1	1	1	KB00H904G35	<63LS>	
636	R61 280 200	Thermistor	PXM-41E-M105-01Y	4	4	4	4	P418144X01	<TH3,TH5,TH7,TH15>	
637	R61 294 200	Thermistor	PX2M-56D-M2	1	1	1	1	P418110X01	<TH4>	
638	R63 852 860	Rubber mount		4	4	4	4	W897574H01	For compressor	
639	R61 001 310	Sensor holder		1	1	1	1	KB25B471G02		
640	R61 027 155	Attachment (HH)		4	4	4	4	KJ00F713G04		
641	R61 009 306	Bolt	M6	4	4	4	4	KJ12F711H05		



Notice: Consult your service agency when the wiring needs to be replaced.
 (Replacing wiring will take about 2 months.)



Notice: Consult your service agency when the wiring needs to be replaced.
 (Replacing wiring will take about 2 months.)



Notice: Consult your service agency when the wiring needs to be replaced. (Replacing wiring will take about 2 months.)

mitsubishi
electric
corporation

BWE019260 (20200331)