

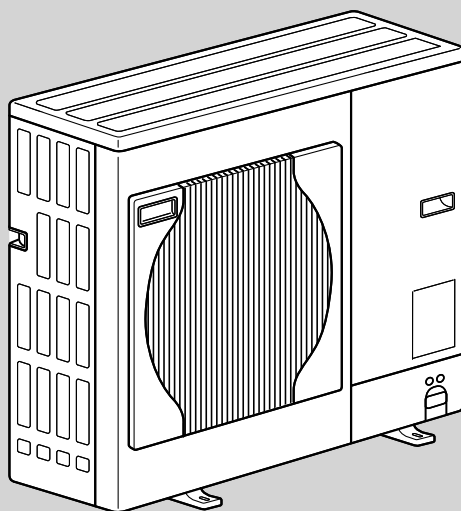
PARTS CATALOG R410A

Outdoor unit
[Model name]
PUHZ-FRP71VHA

[Service Ref.]

PUHZ-FRP71VHA

Note:
• RoHS compliant products
have <G> mark on the spec
name plate.



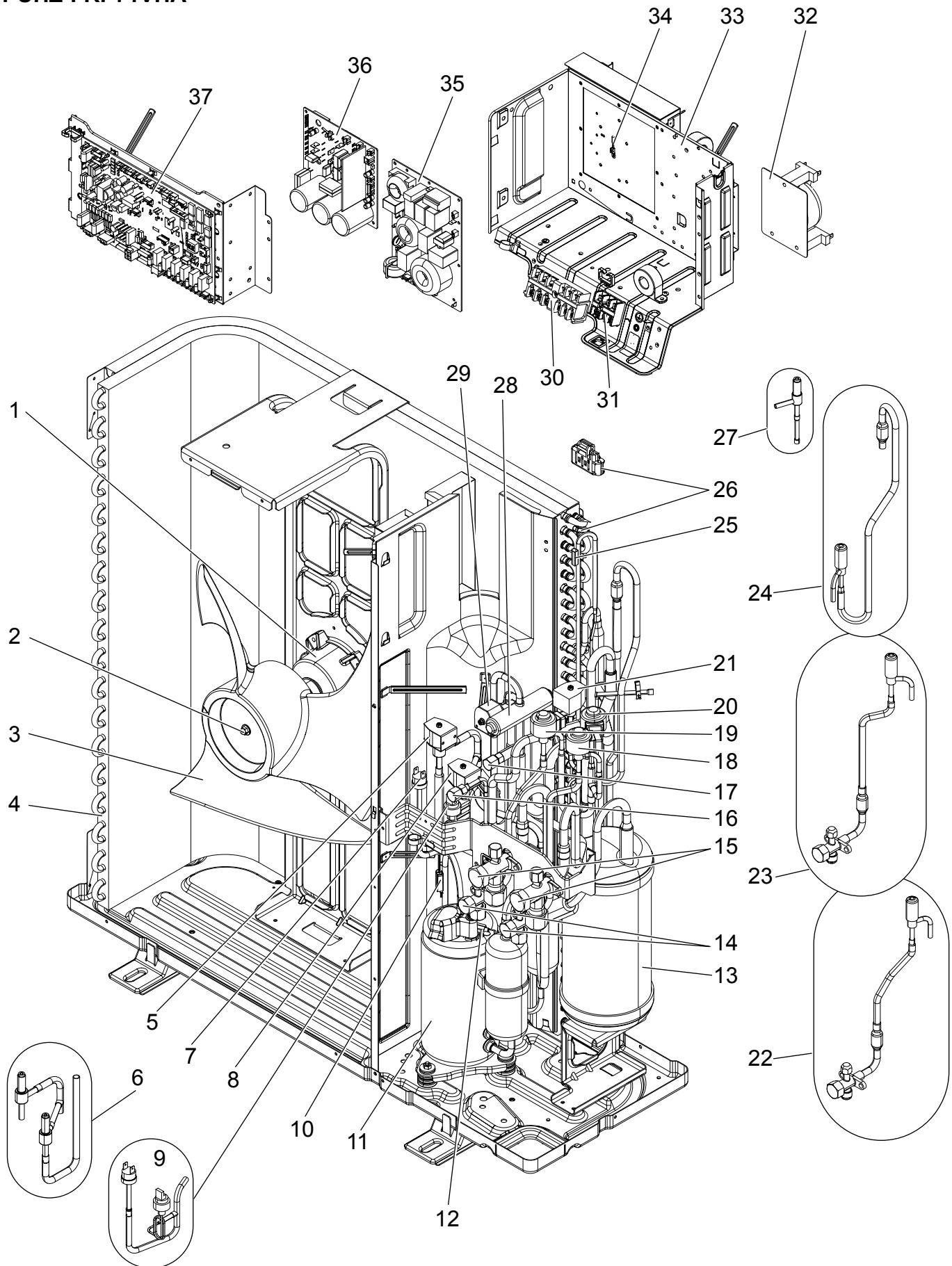
PUHZ-FRP71VHA

CONTENTS

1. RoHS PARTS LIST 2

SERVICE MANUAL (OCH544)

**FUNCTIONAL AND ELECTRICAL PARTS
PUHZ-FRP71VHA**



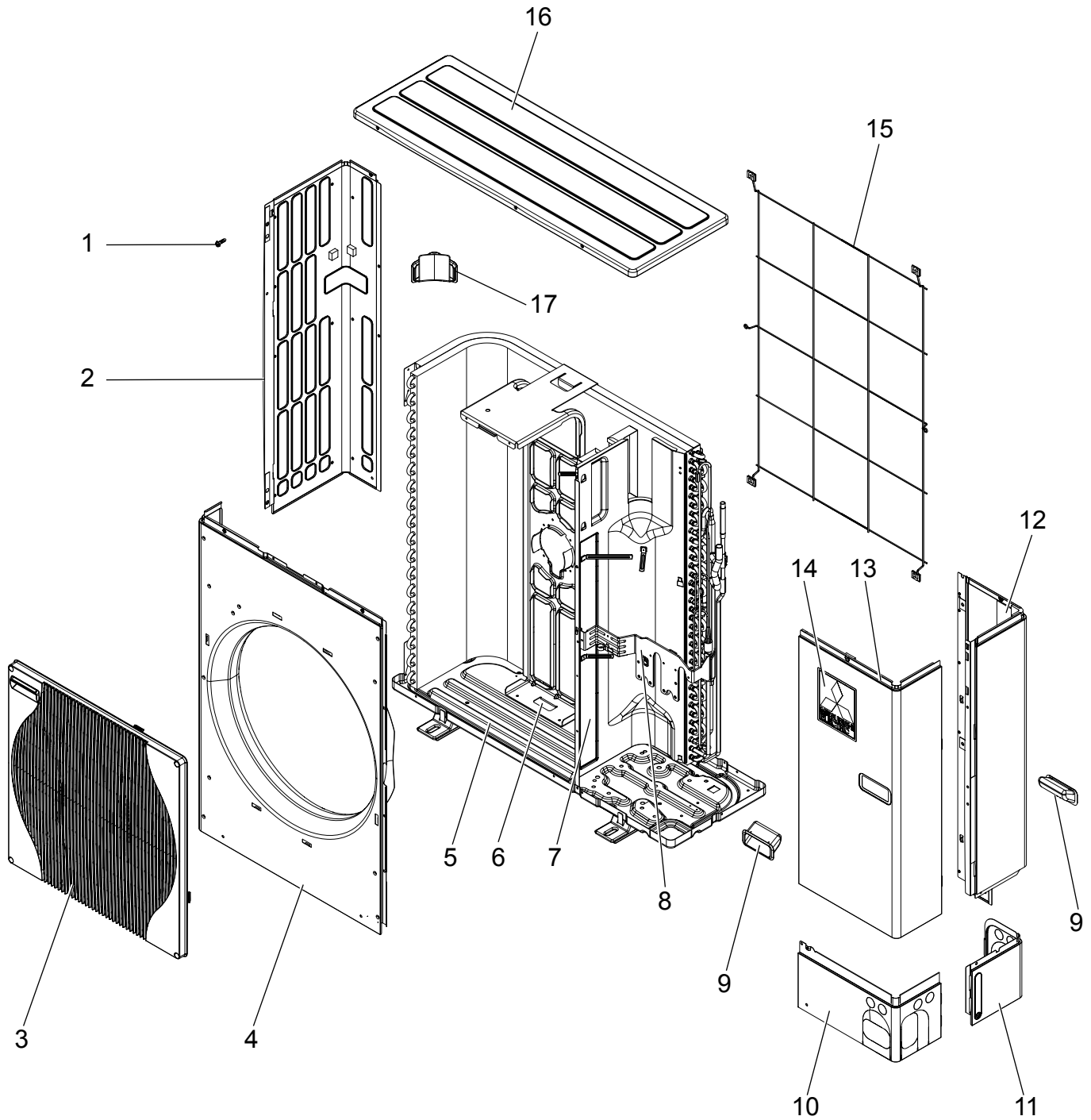
RoHS PARTS LIST

Part numbers that are circled are not shown in the figure.

No.	RoHS	Part No.	Part Name	Specif cation	Q'ty/unit	Remarks (Drawing No.)	Wiring Diagram Symbol
					PUHZ-FRP71VHA		
1	G	R01 E57 221	FAN MOTOR		1		MF1
2	G	R01 E09 097	NUT		1		
3	G	R01 E12 115	PROPELLER FAN		1		
4	G	R01 H40 408	HEAT EXCHANGER		1		
5	G	T7W E64 242	SOLENOID COIL		1	CONNECTOR:BLUE	SV2
6	G	T7W E06 428	SV1 & SV2 ASSY		1	FOR SV1, SV2	
7	G	R01 E06 208	HIGH PRESSURE SWITCH		1		63H
8	G	T7W E63 242	SOLENOID COIL		1	CONNECTOR:GRAY	SV1
9	G	T7W E08 208	H.P. SW & SENSOR ASSY		1	Including 63H	63HS
10	G	T7W E17 201	THERMISTOR (DISCHARGE)		1		TH4
11	G	T92 272 607	COMPRESSOR	SNB172FSHM1	1	Including RUBBER MOUNT	MC
12	G	R01 H90 202	THERMISTOR (COMP. SURFACE)		1		TH34
13	G	R01 E72 440	ACCUMULATOR		1		
14	G	R01 E25 410	STOP VALVE	3/8	2		
15	G	R01 E24 410	STOP VALVE	5/8	2		
16	G	R01 E24 413	CHARGE PLUG		1		
17	G	R01 E18 413	CHARGE PLUG		1		
18	G	R01 H19 242	LEV COIL		1	CONNECTOR:RED	LEV-B
19	G	R01 H20 242	LEV COIL		1	CONNECTOR:BLUE	LEV-C
20	G	R01 H18 242	LEV COIL		1	CONNECTOR:WHITE	LEV-A
21	G	T7W E65 242	SOLENOID COIL		1	CONNECTOR:WHITE	SV3
22	G	T7W E42 401	LEV ASSY		1	FOR LEV-C	
23	G	T7W E41 401	LEV ASSY		1	FOR LEV-B	
24	G	T7W E40 401	LEV ASSY		1	FOR LEV-A, Including STRAINER	
25	G	R01 N03 202	THERMISTOR (OUTDOOR PIPE)		1		TH3
26	G	R01 E94 202	THERMISTOR (OUTDOOR 2-PHASE PIPE, OUTDOOR)		1		TH6, 7
27	G	T7W E07 428	SV3 ASSY		1	FOR SV3	
28	G	R01 E13 403	4-WAY VALVE		1		
29	G	T7W E39 242	SOLENOID COIL <4-WAY VALVE>		1		21S4
30	G	T7W E29 716	TERMINAL BLOCK	6P (L,N,⓪,S1,S2,S3)	1		TB1
31	G	R01 E19 246	TERMINAL BLOCK	3P (S1,S2,S3)	1		TB2
32	G	R01 E33 259	REACTOR		1		ACL
33	G	—	ELECTRICAL PARTS BOX		1	(BK00B055G97)	
34	G	R01 E99 202	THERMISTOR (HEATSINK)		1		TH8
35	G	T7W E21 346	NOISE FILTER CIRCUIT BOARD		1		N.F.
36	G	T7W E81 313	POWER CIRCUIT BOARD		1		P.B.
37	G	T7W G10 315	CONTROLLER CIRCUIT BOARD		1		C.B.
38	G	R01 E14 239	FUSE	250V 6.3A	4		F1,2,3,4
39	G	R01 E12 510	LEAD ASSY COMP		1		

RoHS PARTS LIST

STRUCTURAL PARTS PUHZ-FRP71VHA



RoHS PARTS LIST

No.	RoHS	Part No.	Part Name	Specification	Q'ty/unit	Remarks (Drawing No.)	Wiring Diagram Symbol
					PUHZ-FRP71VHA		
1	G	—	F.ST SCREW	(5×12)	31	(DG12F536H12)	
2	G	R01 E19 662	SIDE PANEL (L)		1		
3	G	R01 E33 691	FAN GRILLE		1		
4	G	R01 E15 668	FRONT PANEL		1		
5	G	R01 E44 686	BASE ASSY		1		
6	G	R01 E12 130	MOTOR SUPPORT		1		
7	G	—	SEPARATOR		1	(BK00C143GJ8)	
8	G	—	VALVE BED ASSY		1	(BK00J581G03)	
9	G	R01 E01 655	HANDLE		2		
10	G	R01 E40 658	COVER PANEL (FRONT)		1		
11	G	R01 E24 658	COVER PANEL (REAR)		1		
12	G	R01 E40 661	SIDE PANEL (R)		1		
13	G	T7W E18 668	SERVICE PANEL		1		
14	G	—	LABEL (MITSUBISHI)		1	(DG79R130H03)	
15	G	R01 E06 698	REAR GUARD		1		
16	G	R01 E29 641	TOP PANEL		1		
17	G	R01 E02 655	HANDLE		1		

mitsubishi electric corporation

HEAD OFFICE : TOKYO BLDG., 2-7-3, MARUNOUCHI, CHIYODA-KU, TOKYO 100-8310, JAPAN
