

# SERVICE PARTS LIST FOR MITSUBISHI ELECTRIC PACKAGED AIR-CONDITIONERS

Series : PLFY-P•VLMD-E

REVISED

Mar. 2020

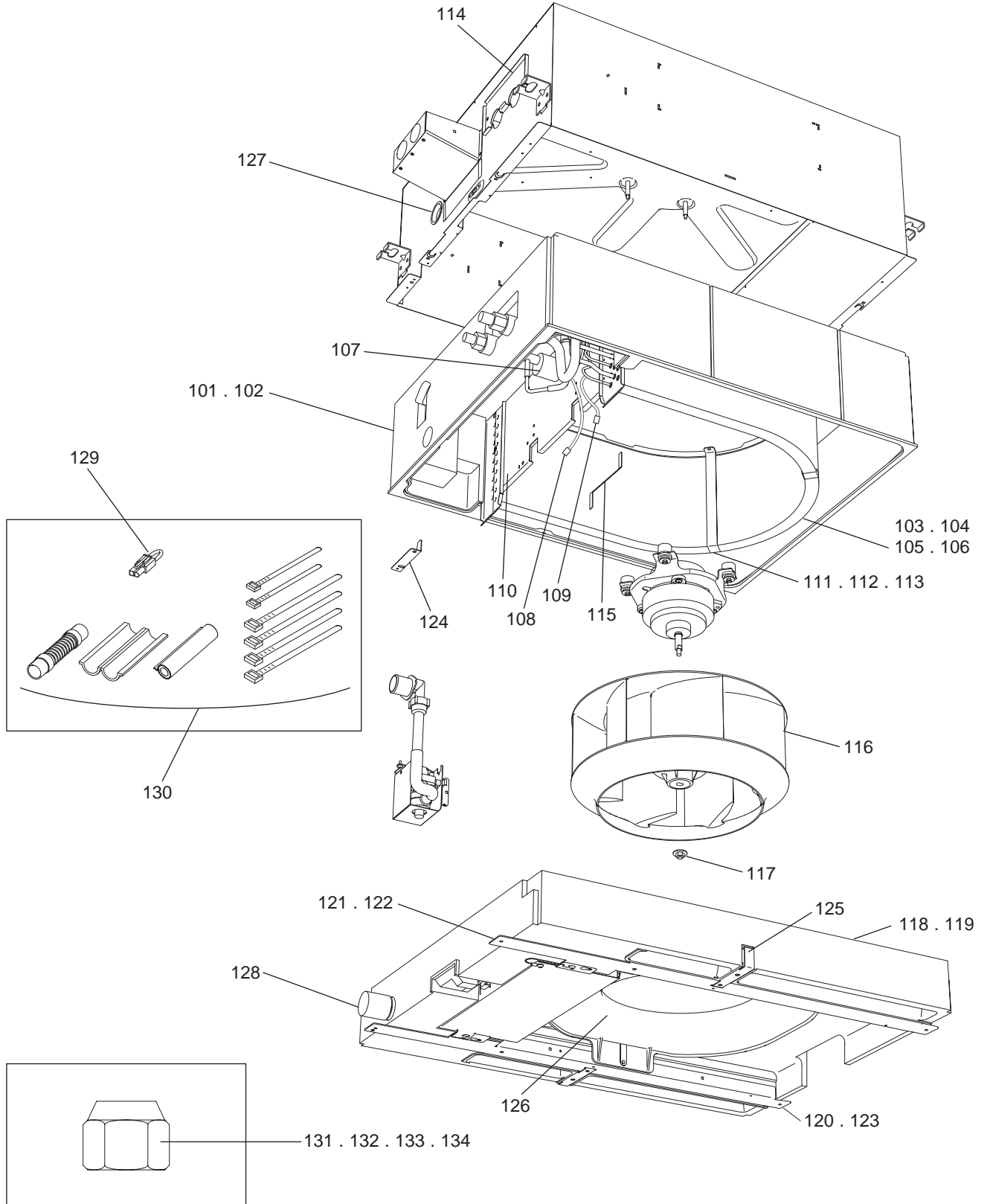
BWE0404L

INDEX
PLFY-P20VLMD-E
PLFY-P25VLMD-E
PLFY-P32VLMD-E
PLFY-P40VLMD-E
PLFY-P50VLMD-E
PLFY-P63VLMD-E
PLFY-P80VLMD-E
PLFY-P100VLMD-E
PLFY-P125VLMD-E

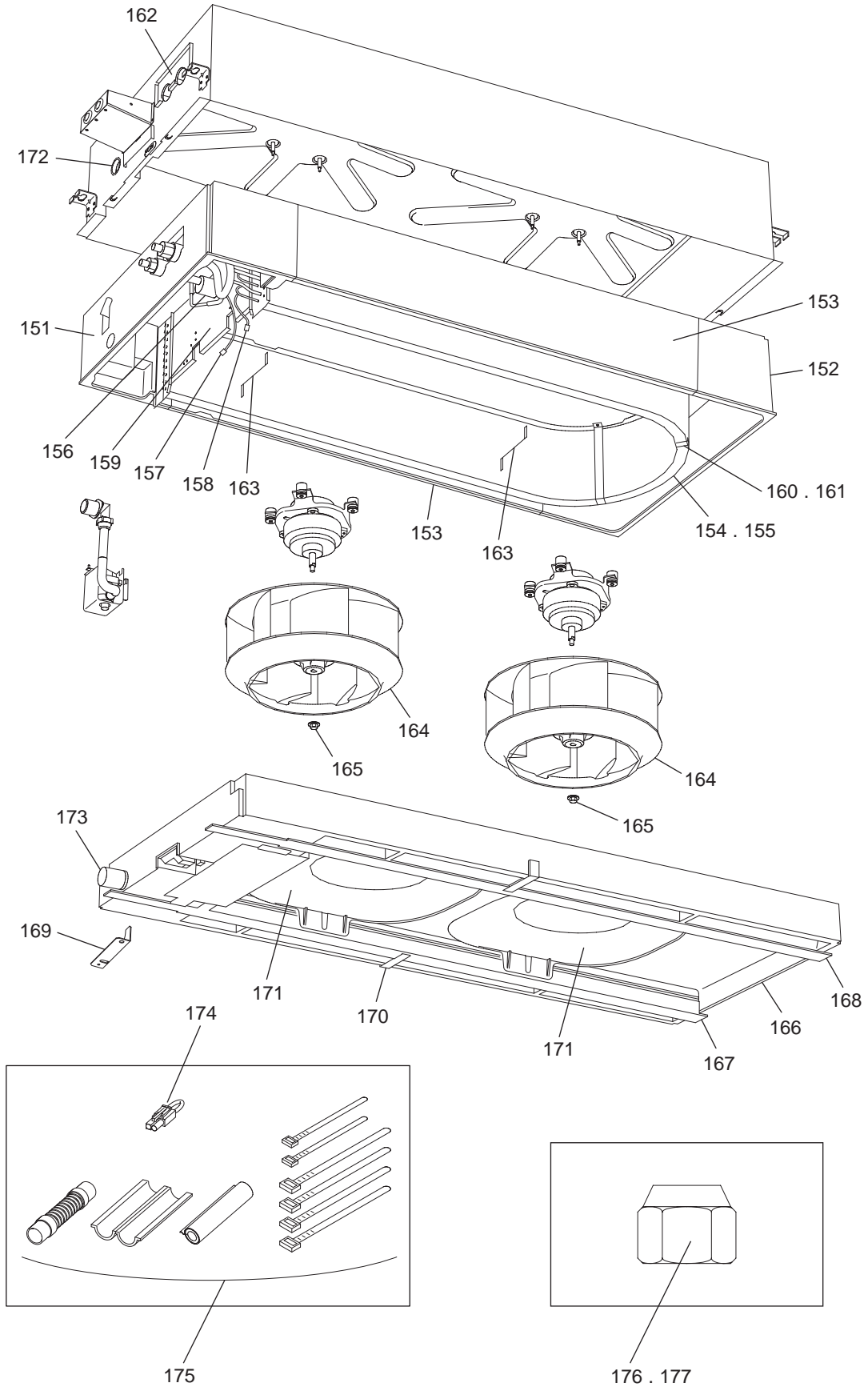
Part information update day : 2020/02/27

Please change the old catalog (issued June 2019, No.BWE0404K) to this new catalog.  
Content of revision : Some of parts are changed.

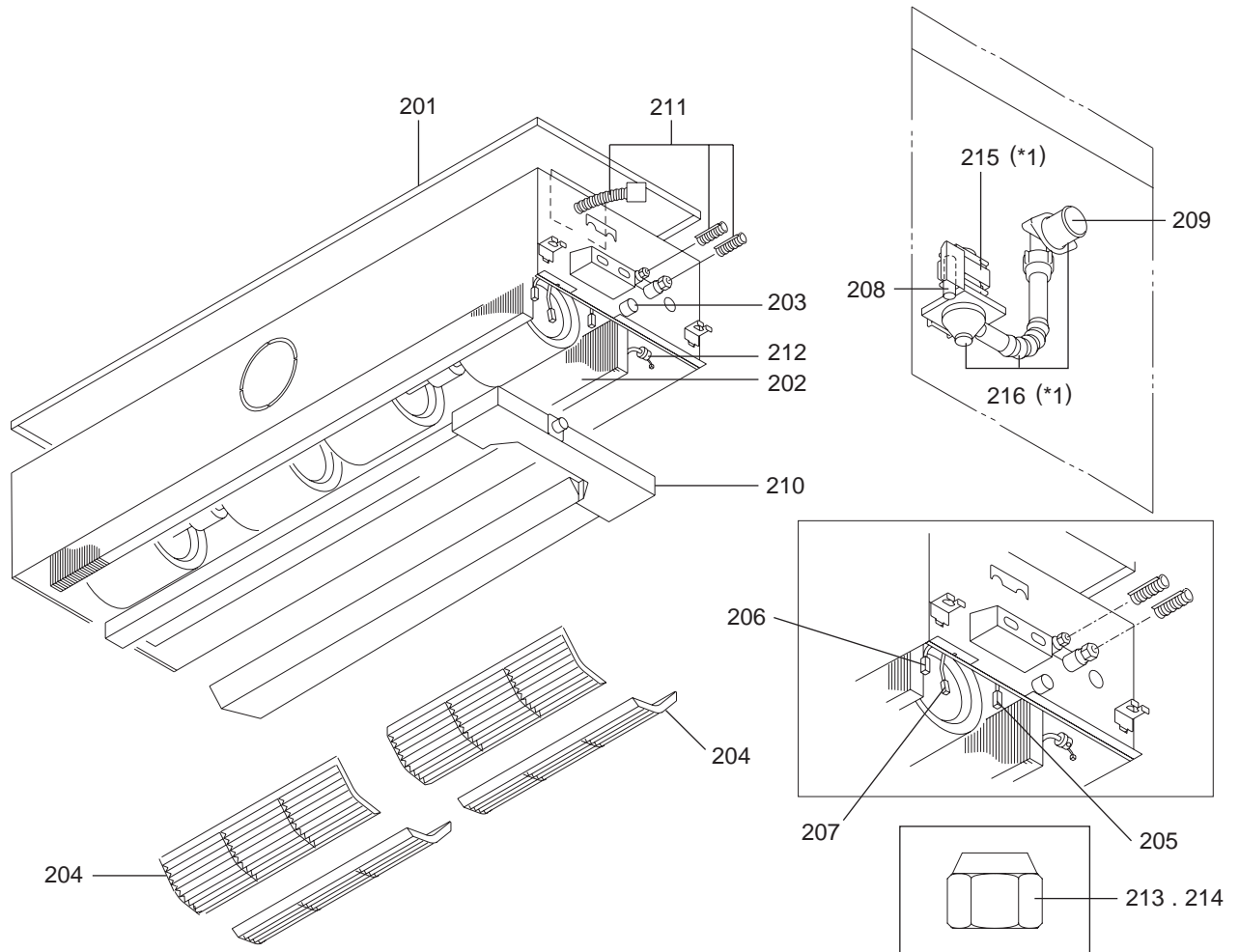












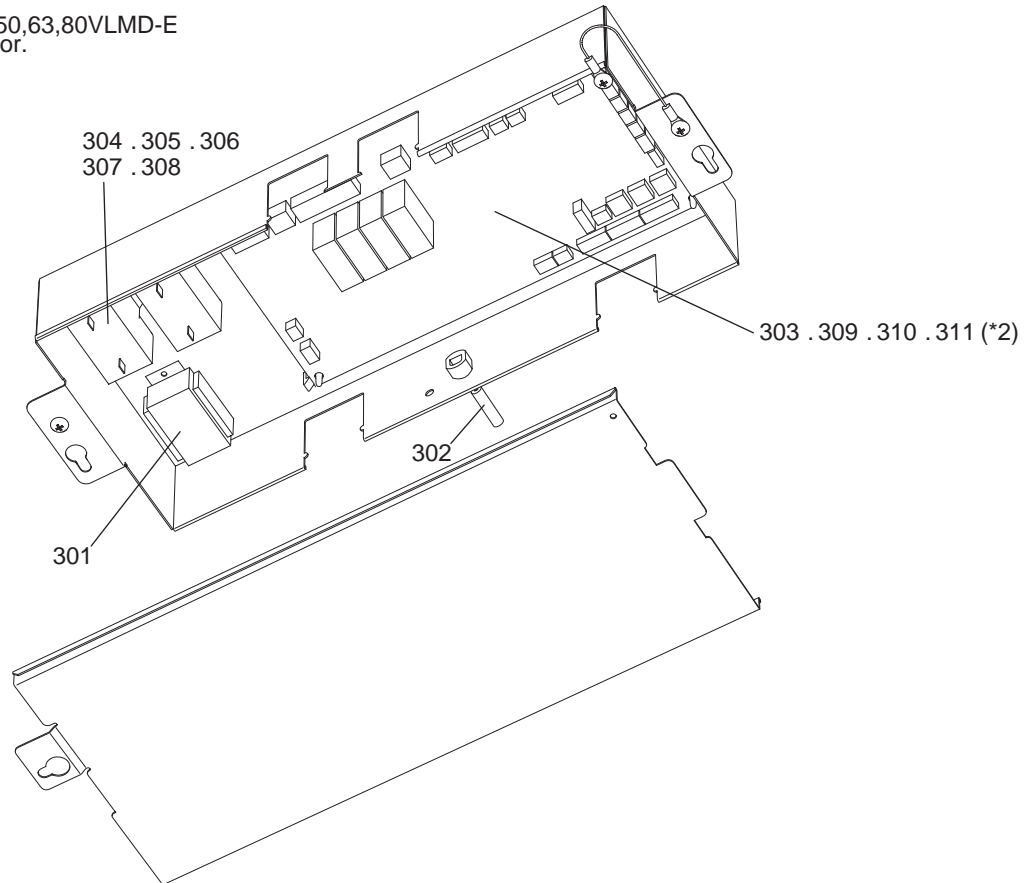
\*1 Parts No. 215 is for use with the indoor units with a production number of OZW00534 and later.  
 If the production number is OZW00533 or earlier, or if it is not available, use parts No. 216.



PLFY-P20,P25,P32VLMD-E  
 PLY-P40,P50,P63VLMD-E  
 PLY-P80,P100VLMD-E

CONTROL BOX PARTS (1)

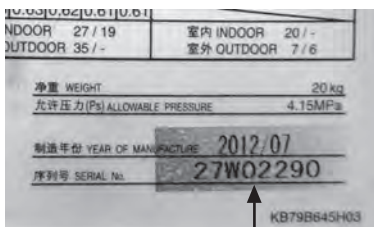
\*PLFY-P20,25,32,40,50,63,80VLMD-E has only one capacitor.



\*2 For the products whose serial number is 5XW\*\*\*\*\* or later, be sure to use No.311.  
 For the products whose serial number is from 2ZW\*\*\*\*\* to 59W\*\*\*\*\*, be sure to use No.310 or No.311.  
 For the products whose serial number is from 04W\*\*\*\*\* to 2YW\*\*\*\*\*, be sure to use No.309, No.310 or No.311.  
 For the products whose serial number is 93W\*\*\*\*\* or earlier, No.303, No.309, No.310 or No.311 can be used.  
 If the production number of the indoor unit is not available, procure parts No.311.  
 No.303, No.309 or No.310 will be supplied as long as the stock is available, and only No.311 will be supplied after the existing stock of No.303, No.309 or No.310 are depleted.

	~93W*****	04W*****~2YW*****	2ZW*****~59W*****	5XW*****~
No.303	USE	NOT USE	NOT USE	NOT USE
No.309	USE	USE	NOT USE	NOT USE
No.310	USE	USE	USE	NOT USE
No.311	USE	USE	USE	USE

Serial No. of Air Conditioning & Refrigeration Systems Works.



Serial No.

2 7 W 0 2 2 9 0

↑ ↑ ↑ ↑  
 Serial number

↑  
 Air Conditioning & Refrigeration Systems Works (Wakayama) identification. W stands for W of WAKAYAMA.

↑  
 Production month

Production **season** of Air Conditioning & Refrigeration Systems Works **April to March**  
 In this case, July / 2012

Production month / season

- 2 4 April / 2012
- 2 5 May / 2012
- 2 6 June / 2012
- 2 7 July / 2012
- 2 8 August / 2012
- 2 9 September / 2012
- 2 X October / 2012
- 2 Y November / 2012
- 2 Z December / 2012
- 2 1 January / 2013
- 2 2 February / 2013
- 2 3 March / 2013
- 3 4 April / 2013
- 3 5 May / 2013

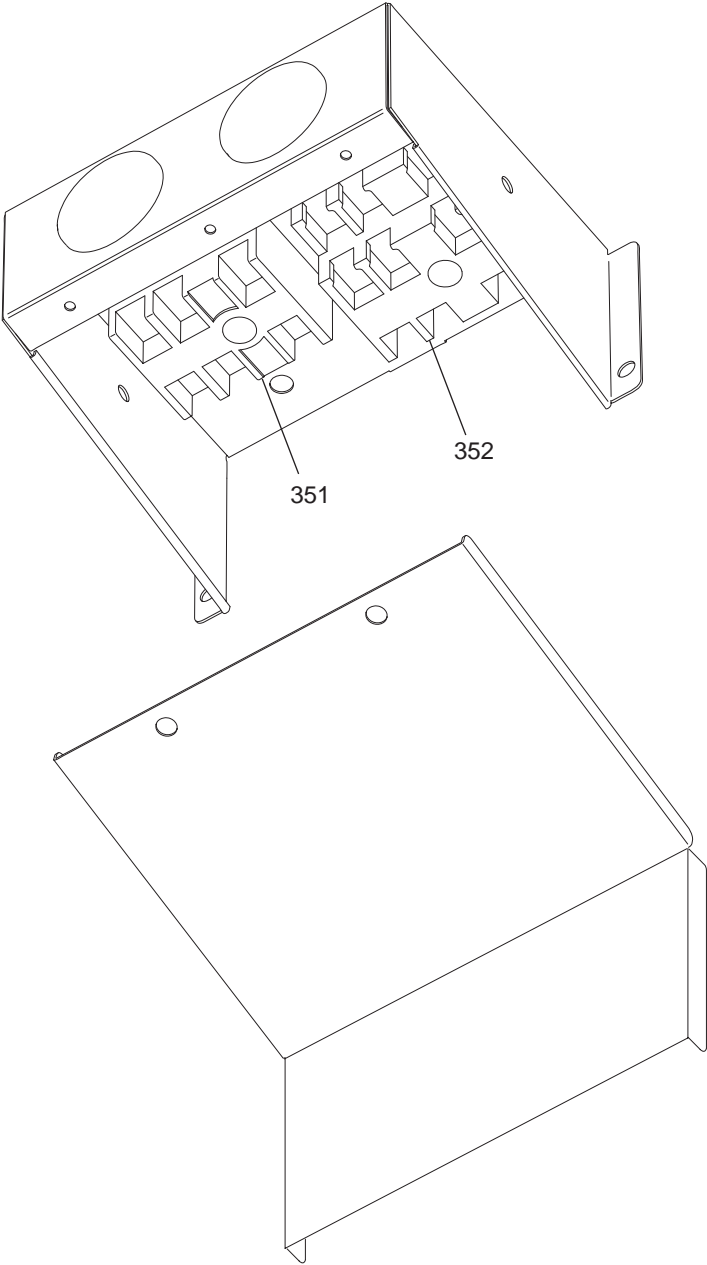






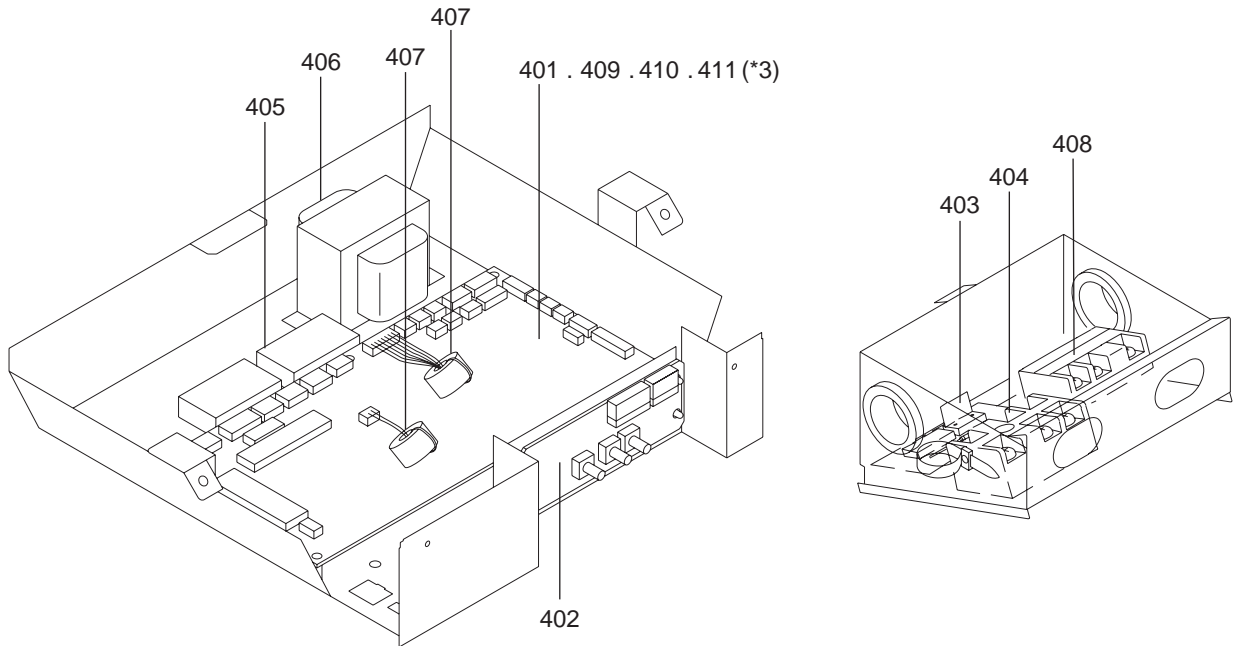
PLFY-P20,P25,P32VLMD-E  
PLFY-P40,P50,P63VLMD-E  
PLFY-P80,P100VLMD-E

CONTROL BOX PARTS (2)





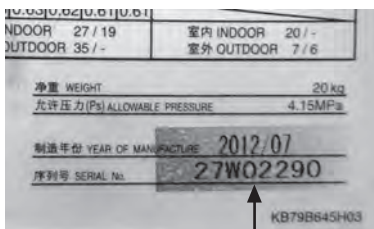




\*3 For the products whose serial number is 5XW\*\*\*\*\* or later, be sure to use No.411.  
 For the products whose serial number is from 2ZW\*\*\*\*\* to 59W\*\*\*\*\*, be sure to use No.410 or No.411.  
 For the products whose serial number is from 04W\*\*\*\*\* to 2YW\*\*\*\*\*, be sure to use No.409, No.410 or No.411.  
 For the products whose serial number is 93W\*\*\*\*\* or earlier, No.401, No.409, No.410 or No.411 can be used.  
 If the production number of the indoor unit is not available, procure parts No.409.  
 No.401, No.409 or No.410 will be supplied as long as the stock is available,  
 and only No.411 will be supplied after the existing stock of No.401, No.409 or No.410 are depleted.

	~93W*****	04W*****~2YW*****	2ZW*****~59W*****	5XW*****~
No.401	USE	NOT USE	NOT USE	NOT USE
No.409	USE	USE	NOT USE	NOT USE
No.410	USE	USE	USE	NOT USE
No.411	USE	USE	USE	USE

**Serial No. of Air Conditioning & Refrigeration Systems Works.**



Serial No.

2 7 W 0 2 2 9 0

↑ ↑ ↑ ↑  
 Serial number

Air Conditioning & Refrigeration Systems Works (Wakayama) identification. W stands for W of WAKAYAMA.

Production month

Production **season** of Air Conditioning & Refrigeration Systems Works **April to March**  
 In this case, July / 2012

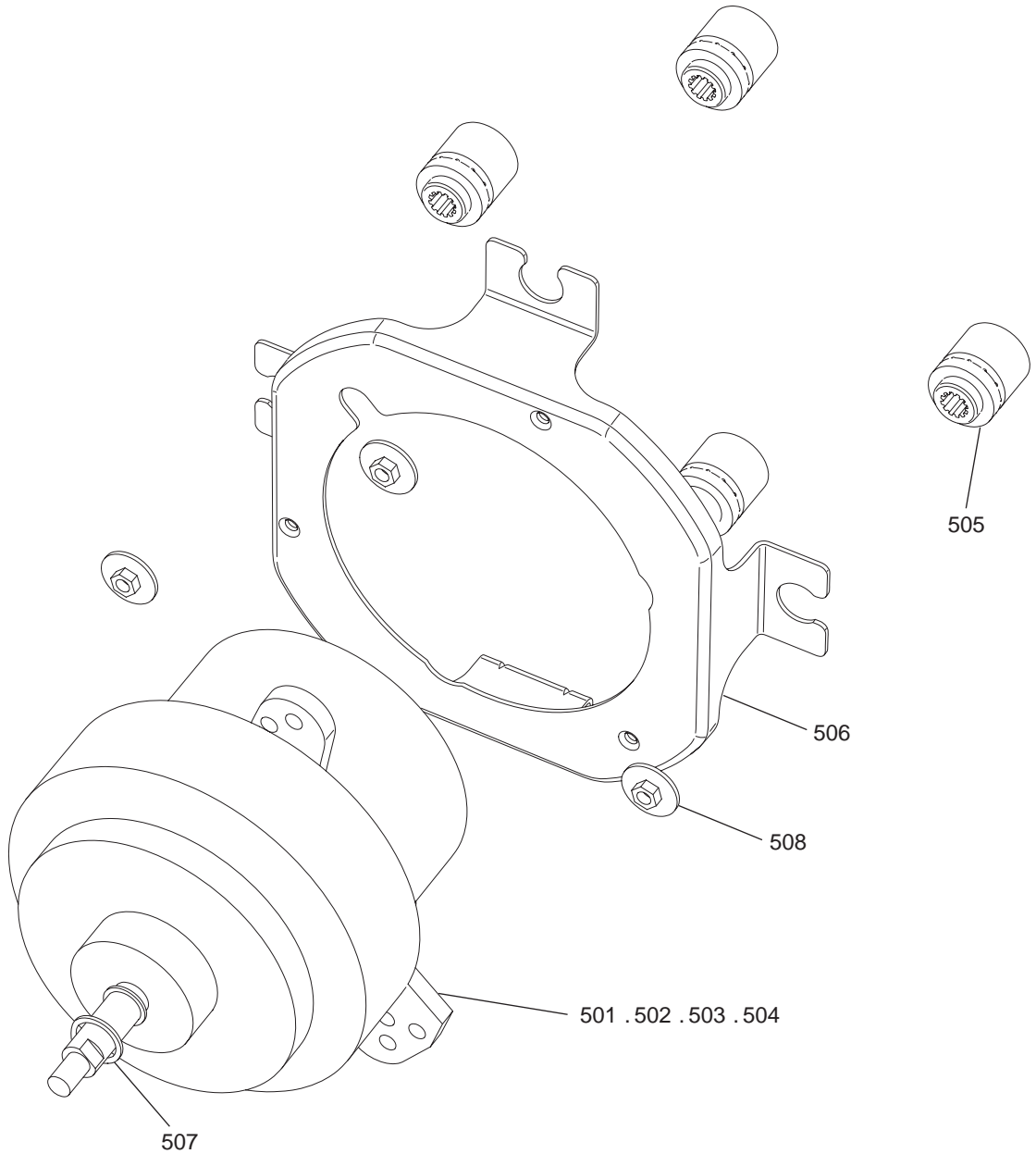
Production month / season

- 2 4 April / 2012
- 2 5 May / 2012
- 2 6 June / 2012
- 2 7 July / 2012
- 2 8 August / 2012
- 2 9 September / 2012
- 2 X October / 2012
- 2 Y November / 2012
- 2 Z December / 2012
- 2 1 January / 2013
- 2 2 February / 2013
- 2 3 March / 2013
- 3 4 April / 2013
- 3 5 May / 2013



PLFY-P20,P25,P32VLMD-E  
PLFY-P40,P50,P63VLMD-E  
PLFY-P80,P100VLMD-E

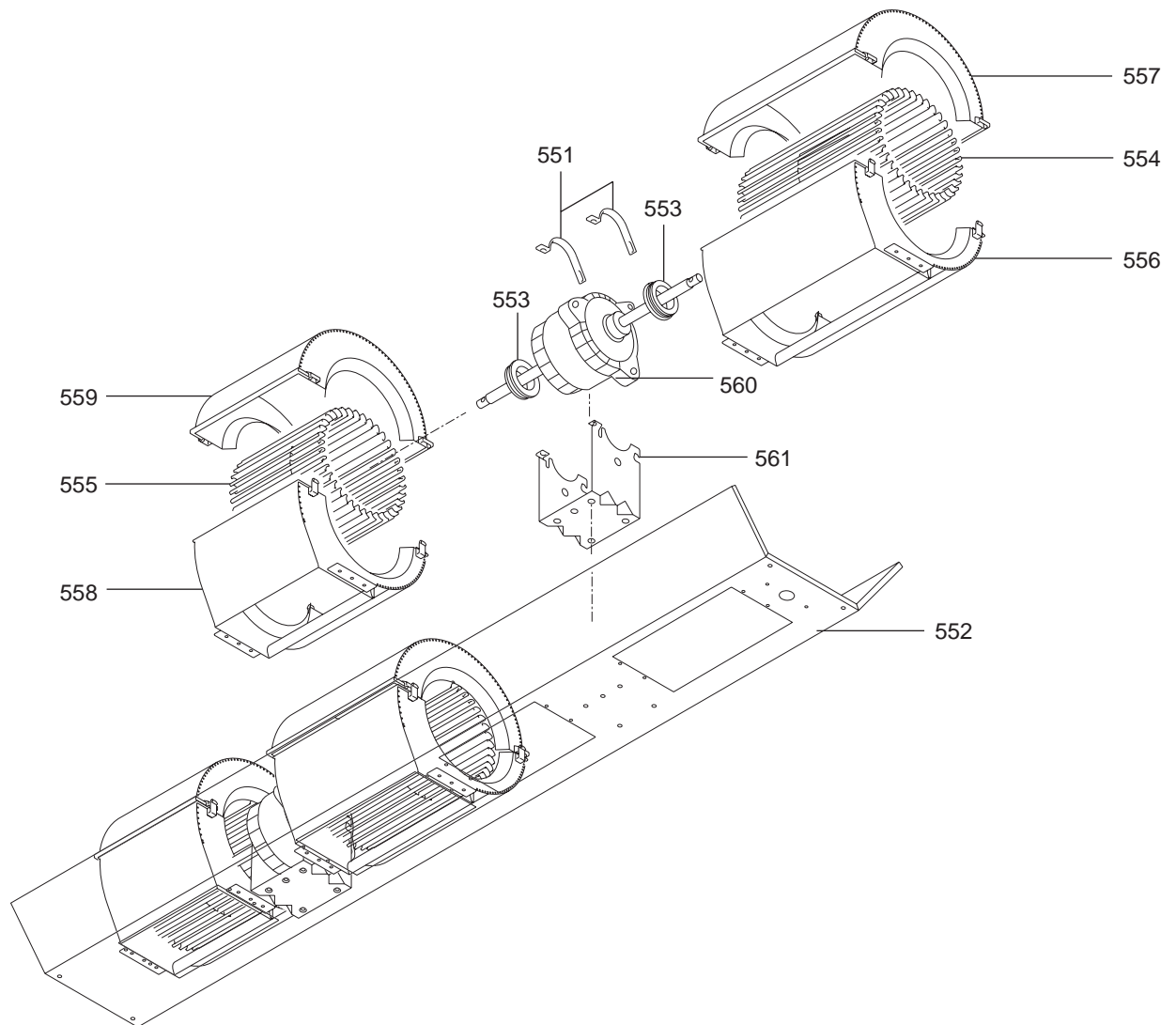
### BLOWER PARTS (1)







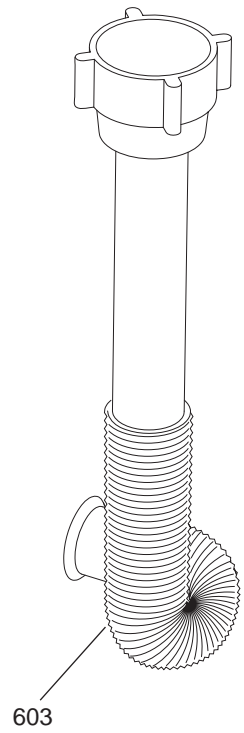
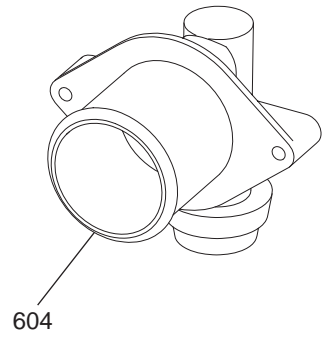
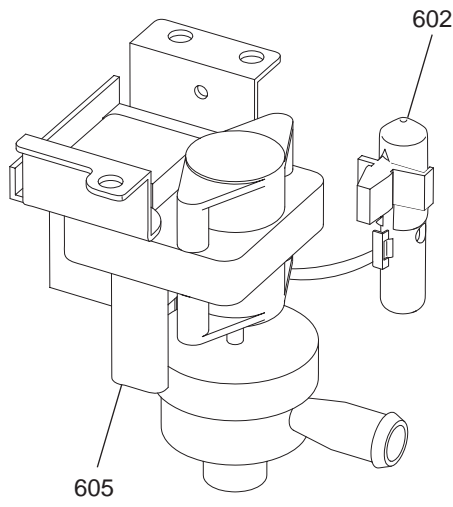
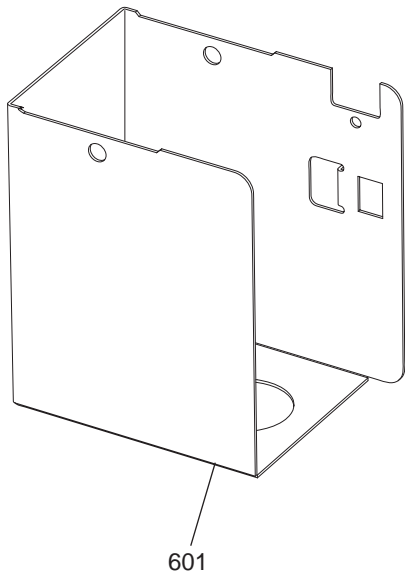






PLFY-P20,P25,P32VLMD-E  
PLFY-P40,P50,P63VLMD-E  
PLFY-P80,P100VLMD-E

### DRAIN PUMP PARTS







**mitsubishi**  
**MITSUBISHI ELECTRIC CORPORATION**

---

BWE0404L (20200331)