

PARTS CATALOG

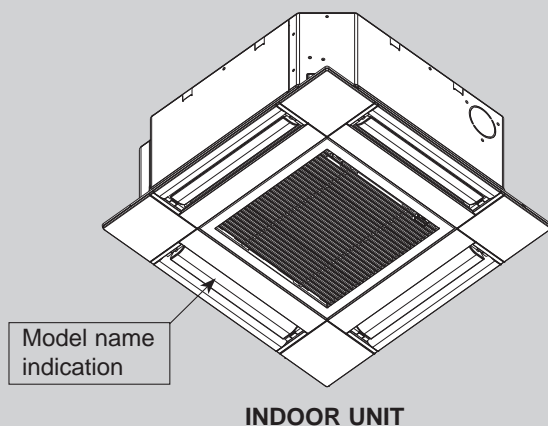
Series PLFY Ceiling Cassettes R410A

Indoor unit [Model Name]	[Service Ref.]
PLFY-P15VFM-E	PLFY-P15VFM-E.TH
PLFY-P20VFM-E	PLFY-P20VFM-E.TH
PLFY-P25VFM-E	PLFY-P25VFM-E.TH
PLFY-P32VFM-E	PLFY-P32VFM-E.TH
PLFY-P40VFM-E	PLFY-P40VFM-E.TH
PLFY-P50VFM-E	PLFY-P50VFM-E.TH

Revision:

- Some descriptions have been modified in REVISED EDITION-B.

OCB601 REVISED EDITION-A is void.


CONTENTS

1. SERVICE PARTS LIST..... 2

SERVICE MANUAL (OCH601)

1

SERVICE PARTS LIST

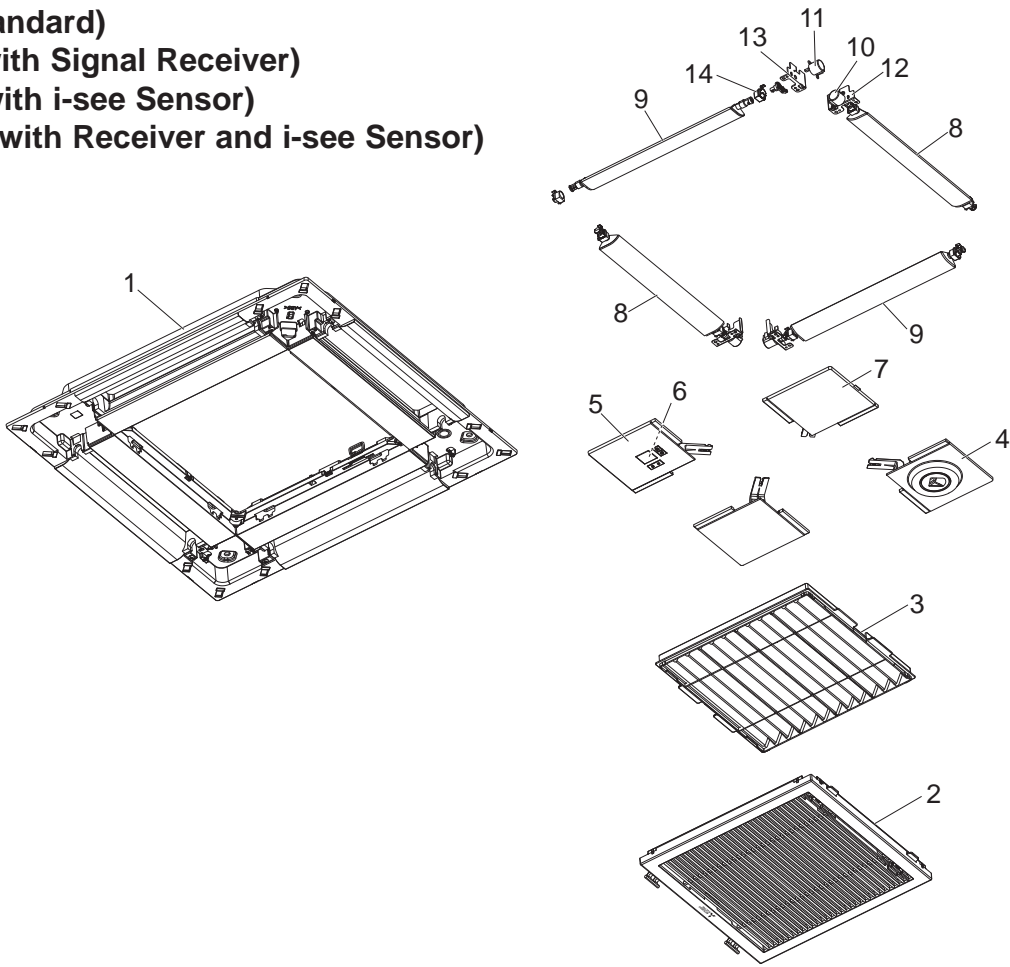
GRILLE PARTS

SLP-2FA (Standard)

SLP-2FAL (with Signal Receiver)

SLP-2FAE (with i-see Sensor)

SLP-2FALE (with Receiver and i-see Sensor)



Parts numbers that are circled are not shown in the figure.

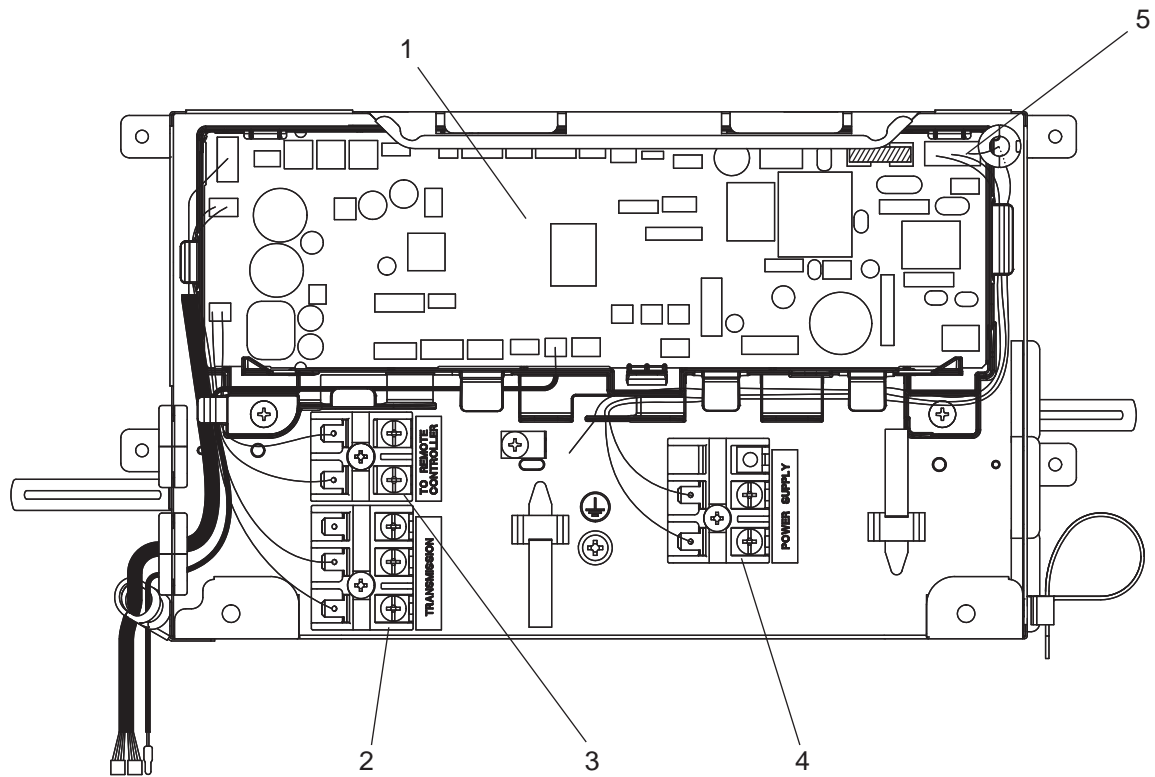
No.	Parts No.	Parts Name	Specification	Q'ty/unit				Wiring Diagram Symbol
				SLP-2FA	SLP-2FAL	SLP-2FAE	SLP-2FALE	
1	E27 C26 003	AIR OUTLET GRILLE		1	1	1	1	
2	E27 C26 010	INTAKE GRILLE		1	1	1	1	
3	E27 C26 100	AIR FILTER		1	1	1	1	
4	E27 C29 975	CORNER PANEL (i-see Sensor)				1	1	
5	E27 C28 975	CORNER PANEL (Signal Receiver)			1		1	
6	E27 C27 317	WIRELESS REMOTE CONTROLLER BOARD			1		1	W.B
7	E27 C26 975	CORNER PANEL	Includes safety wire	4	3	3	2	
8	E27 C26 037	AUTO VANE -1	GREEN	2	2	2	2	
9	E27 C27 037	AUTO VANE -2	BLUE	2	2	2	2	
10	E27 C26 303	VANE MOTOR-1	GREEN	2	2	2	2	
11	E27 C27 303	VANE MOTOR-2	BLUE	2	2	2	2	
12	E27 C26 946	COUPLING-1	GREEN	2	2	2	2	
13	E27 C27 946	COUPLING-2	BLUE	2	2	2	2	
14	E27 C26 044	VANE BUSH		8	8	8	8	
15	E27 C26 033	WIRE HOOK		2	2	2	2	
16	E27 C28 087	JUNCTION CABLE (Signal Receiver)			1		1	
17	E27 C27 087	JUNCTION CABLE (i-see Sensor)				1	1	

ELECTRICAL PARTS

PLFY-P15VFM-E.TH
 PLFY-P32VFM-E.TH

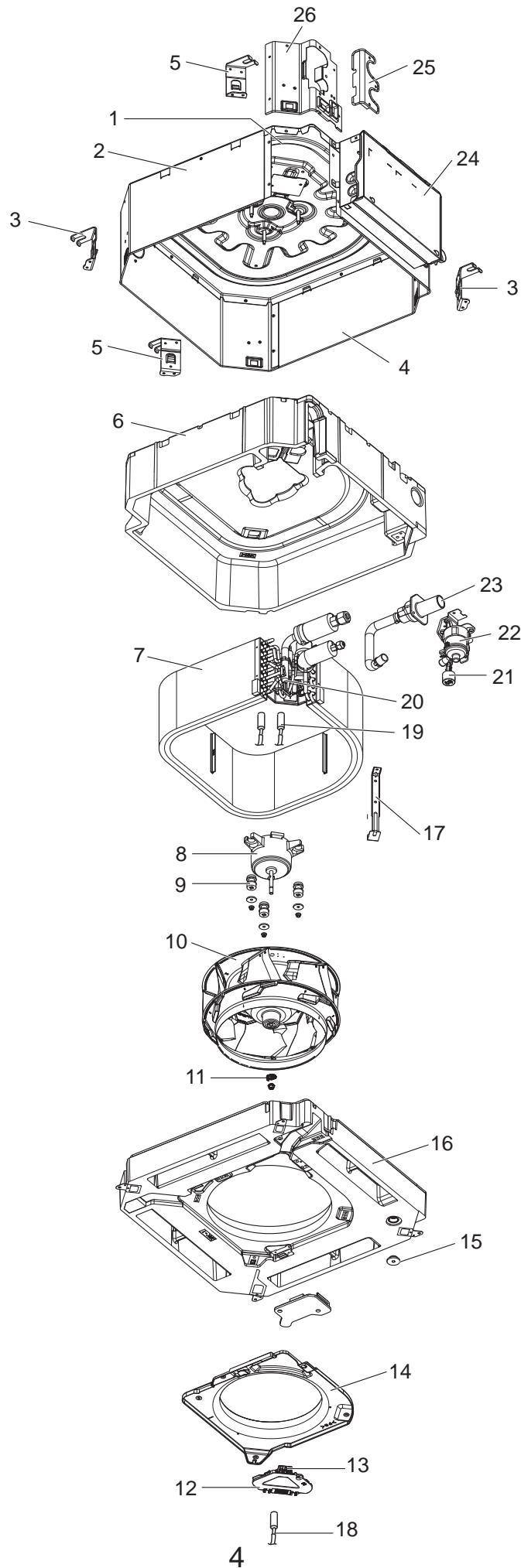
PLFY-P20VFM-E.TH
 PLFY-P40VFM-E.TH

PLFY-P25VFM-E.TH
 PLFY-P50VFM-E.TH



No.	Parts No.	Parts Name	Specification	Q'ty/unit						Wiring Diagram Symbol
				PLFY-P15VFM-E.TH	PLFY-P20VFM-E.TH	PLFY-P25VFM-E.TH	PLFY-P32VFM-E.TH	PLFY-P40VFM-E.TH	PLFY-P50VFM-E.TH	
1	E27 N17 447	INDOOR CONTROLLER BOARD		1	1	1	1	1	1	I.B
2	E27 154 375	TERMINAL BLOCK	3P(M1, M2, S)	1	1	1	1	1	1	TB5
3	E27 156 375	TERMINAL BLOCK	2P(1, 2)	1	1	1	1	1	1	TB15
4	E27 C20 375	TERMINAL BLOCK	2P(L, N)	1	1	1	1	1	1	TB2
5	E27 648 382	FUSE	FSL 250 V/6.3 A	1	1	1	1	1	1	F1

FUNCTIONAL PARTS
PLFY-P15VFM-E.TH
PLFY-P20VFM-E.TH
PLFY-P25VFM-E.TH
PLFY-P32VFM-E.TH
PLFY-P40VFM-E.TH
PLFY-P50VFM-E.TH



No.	Parts No.	Parts Name	Specification	Q'ty/unit						Remarks (Drawing No.)	Wiring Diagram Symbol
				PLFY-P15VFM-E.TH	PLFY-P20VFM-E.TH	PLFY-P25VFM-E.TH	PLFY-P32VFM-E.TH	PLFY-P40VFM-E.TH	PLFY-P50VFM-E.TH		
1	E27 C12 290	BASE		1	1	1	1	1	1		
2	E27 C13 124	DRUM-B		1	1	1	1	1	1		
3	E27 C12 808	LEG-1		2	2	2	2	2	2	1PC/SET	
4	E27 C12 124	DRUM-A		1	1	1	1	1	1		
5	E27 C12 809	LEG-2		2	2	2	2	2	2	1PC/SET	
6	E27 C12 092	INNER COVER ASSY		1	1	1	1	1	1		
7	E27 C20 620	INDOOR HEAT EXCHANGER		1	1	1					
	E27 C23 620	INDOOR HEAT EXCHANGER					1	1	1		
8	E27 C12 300	INDOOR FAN MOTOR	ARW5202MS	1	1	1	1	1	1		MF
9	E27 C12 105	MOTOR MOUNT		3	3	3	3	3	3	3PCS/SET	
10	E27 C12 502	TURBO FAN		1	1	1	1	1	1		
11	E27 K05 097	SPL WASHER		1	1	1	1	1	1		
12	E27 C12 091	CONNECTOR COVER		1	1	1	1	1	1		
13	E27 C12 090	CONNECTOR BOX		1	1	1	1	1	1		
14	E27 C12 509	BELL MOUTH		1	1	1	1	1	1		
15	E27 436 524	DRAIN PLUG		1	1	1	1	1	1		
16	E27 C12 700	DRAIN PAN		1	1	1	1	1	1		
17	E27 C12 648	COIL SUPPORT		1	1	1	1	1	1		
18	E27 C12 308	ROOM TEMP.THERMISTOR		1	1	1	1	1	1		TH21
19	E27 C12 307	PIPE TEMP. THERMISTOR/LIQUID/GAS		1	1	1	1	1	1		TH22,TH23
20	E27 C20 640	LINEAR EXPANSION VALVE		1	1	1	1	1	1		LEV
21	E27 C12 145	FLOAT SWITCH ASSY		1	1	1	1	1	1		FS
22	E27 C12 355	DRAIN PUMP		1	1	1	1	1	1		DP
23	E27 C12 702	DRAIN HOSE		1	1	1	1	1	1		
24	E27 C12 088	CONTROL BOX COVER		1	1	1	1	1	1		
25	E27 C13 006	COVER (DRUM-U)		1	1	1	1	1	1		
26	E27 C12 006	COVER (DRUM)		1	1	1	1	1	1		

CITY MULTI

mitsubishi MITSUBISHI ELECTRIC CORPORATION

HEAD OFFICE: TOKYO BUILDING, 2-7-3, MARUNOUCHI, CHIYODA-KU TOKYO 100-8310, JAPAN
