

SERVICE PARTS LIST FOR MITSUBISHI ELECTRIC PACKAGED AIR-CONDITIONERS

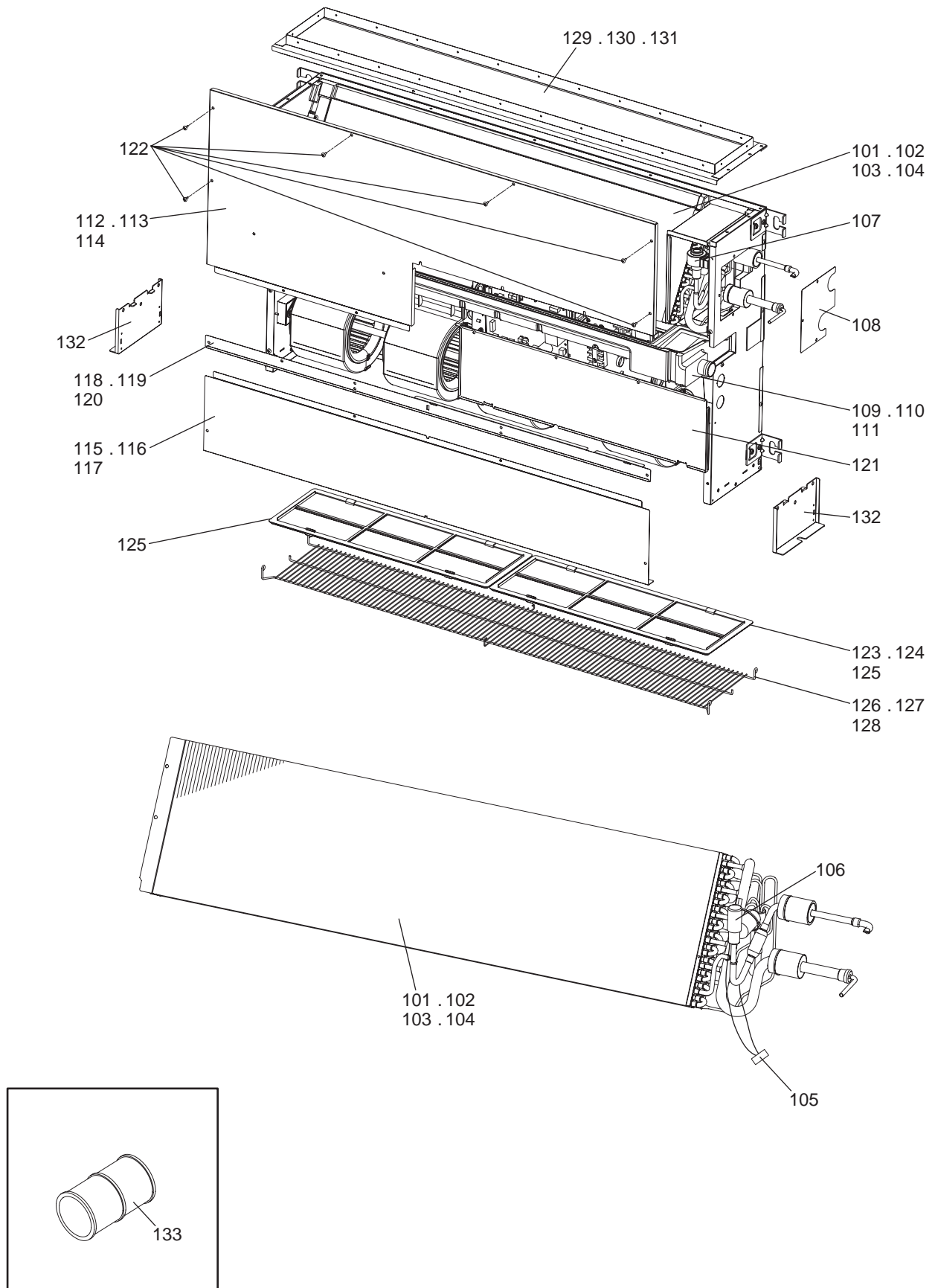
Series : PFFY-P•VCM-E.TH

Feb. 2019
BWE018430

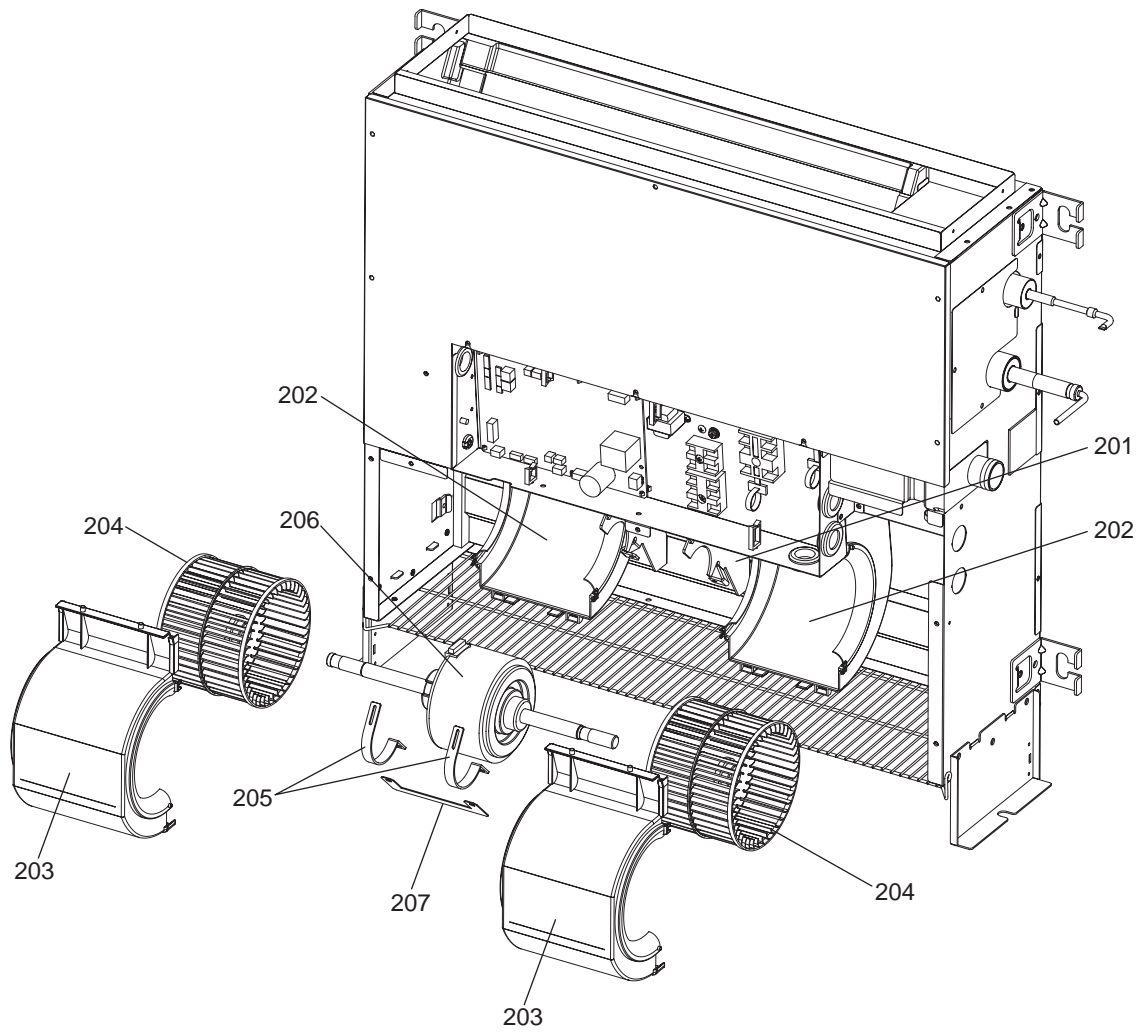
INDEX
PFFY-P20VCM-E.TH
PFFY-P25VCM-E.TH
PFFY-P32VCM-E.TH
PFFY-P40VCM-E.TH
PFFY-P50VCM-E.TH
PFFY-P63VCM-E.TH

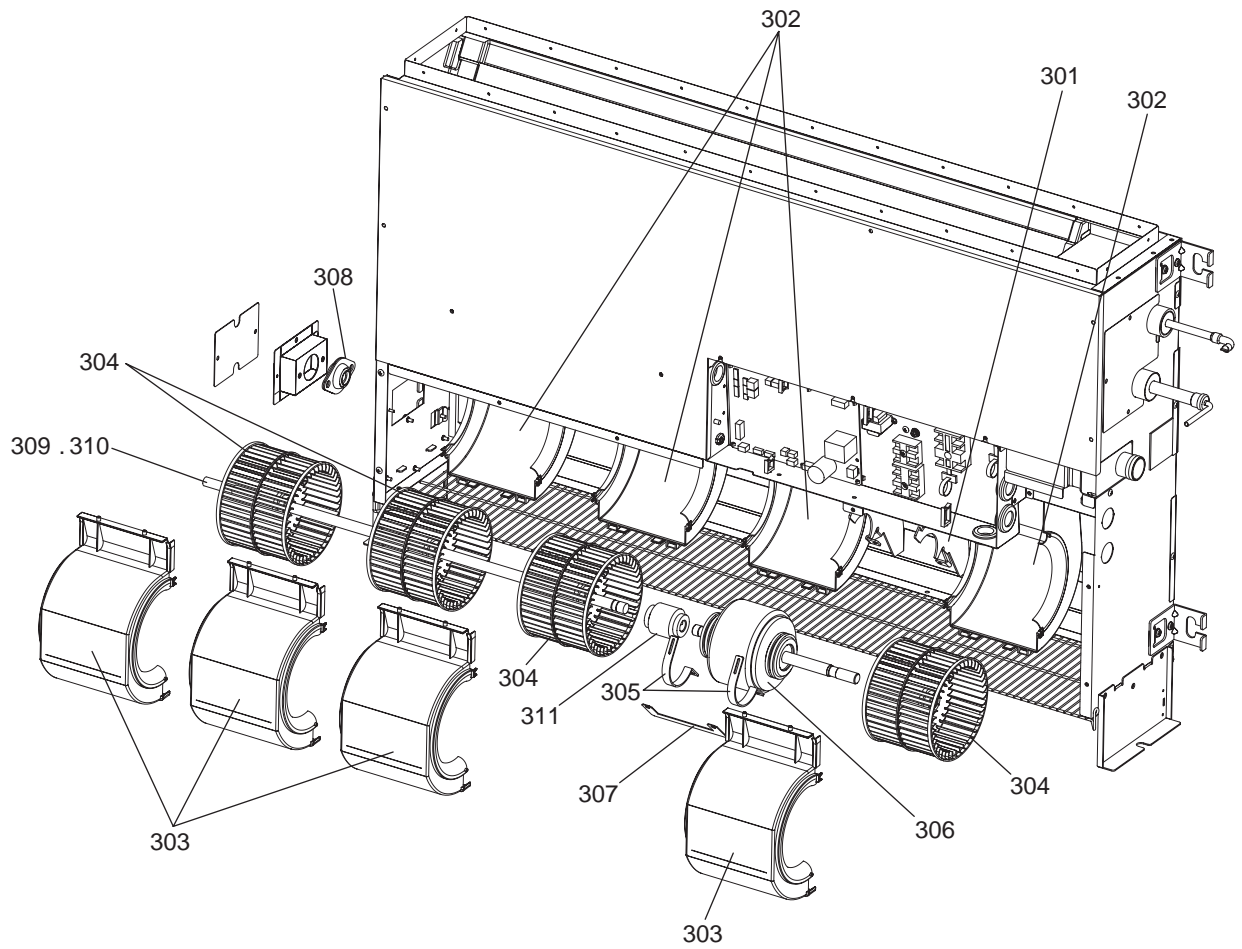
PFFY-P20,P25,P32VCM-E.TH
PFFY-P40,P50,P63VCM-E.TH

EXTERNAL PARTS

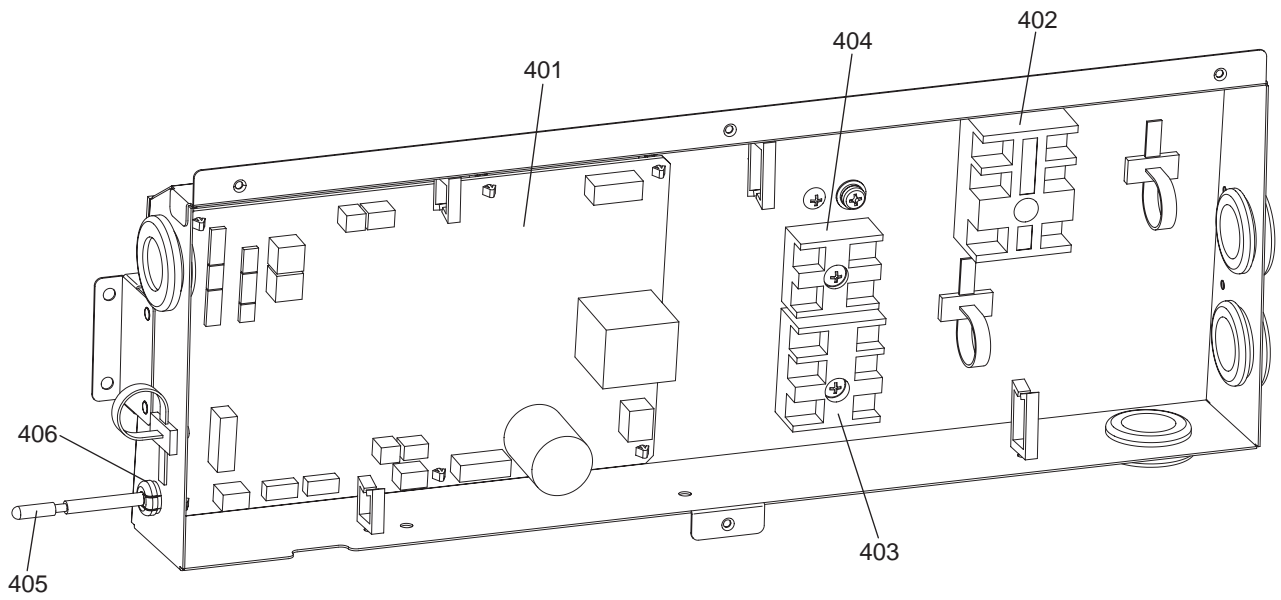


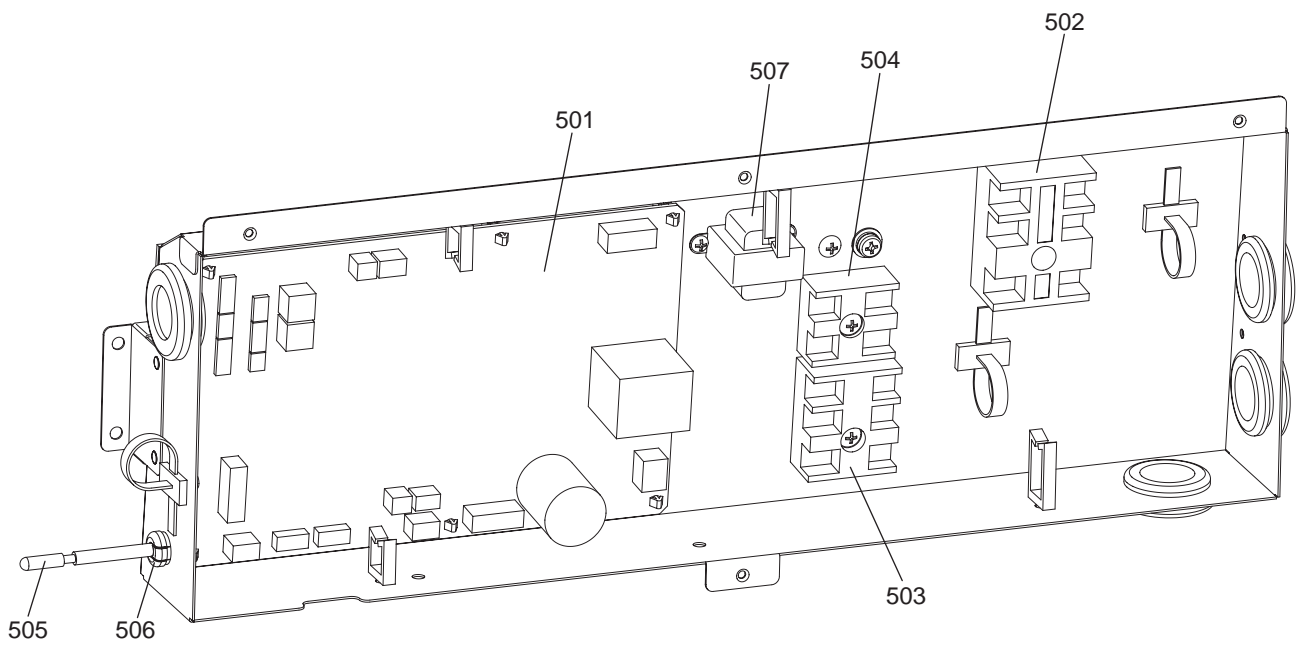
No.	Part No.	Part Name	Spec.	PFFY-P20/VCM-E.TH	PFFY-P25/VCM-E.TH	PFFY-P32/VCM-E.TH	PFFY-P40/VCM-E.TH	PFFY-P50/VCM-E.TH	PFFY-P63/VCM-E.TH	Dwg. No.	Notes for the models	Revision info.
101	E27 P45 620	HEAT EXCHANGER	P20,P25	1	1					VQ00A174B01		
102	E27 P47 620	HEAT EXCHANGER	P32			1				VQ00A175B01		
103	E27 P48 620	HEAT EXCHANGER	P40,P50				1	1		VQ00A177B02		
104	E27 P49 620	HEAT EXCHANGER	P63						1	VQ00A177B01		
105	E27 P45 307	THERMISTOR		1	1	1	1	1	1	RG71V202G04		
106	E27 P45 640	LINEAR EXPANSION VALVE	PAM-B40YGMD-1	1	1	1	1	1	1	KR50B228H01		
107	E27 P45 493	SOLENOID COIL	PAM	1	1	1	1	1	1	KR50B235H01		
108	E27 P45 690	COVER PIPE INS		1	1	1	1	1	1	VR00C427G02		
109	E27 P45 700	DRAIN PAN S INS		1	1	1				VR00B114G10		
110	E27 P48 700	DRAIN PAN M INS					1	1		VR00B114G11		
111	E27 P50 700	DRAIN PAN L INS							1	VR00B114G12		
112	E27 P45 232	PANEL F T S INS		1	1	1				VR00B115G07		
113	E27 P48 232	PANEL F T M INS					1	1		VR00B115G08		
114	E27 P50 232	PANEL F T L INS							1	VR00B115G09		
115	E27 P40 232	PANEL F B S		1	1	1				VR02B100G02		
116	E27 P43 232	PANEL F B M					1	1		VR02B101G02		
117	E27 P44 232	PANEL F B L							1	VR02B102G02		
118	E27 P45 648	SUPPORT PANEL F S		1	1	1				VR02C380G02		
119	E27 P48 648	SUPPORT PANEL F M					1	1		VR02C381G02		
120	E27 P50 648	SUPPORT PANEL F L							1	VR02C382G03		
121	E27 P45 449	COVER CONT.BOX INS		1	1	1	1	1	1	VR00C429G03		
122	E27 319 250	SCREW ADD. WORK DWG		5	5	5	6	6	6	KB12H389G01		
123	E27 319 100	FILTER	P20,P25,P32	1	1	1				KB35B272G02		
124	E27 320 100	FILTER	P40,P50				1	1		KB35B207G02		
125	E17 326 100	FILTER	P63						2	KB35B208G02		
126	E27 P45 520	FAN GUARD S		1	1	1				VR00B107G04		
127	E27 P48 520	FAN GUARD M					1	1		VR00B106G03		
128	E27 P50 520	FAN GUARD L							1	VR00B105G03		
129	E27 P45 800	PANEL DUCT S INS		1	1	1				VR00C320G04		
130	E27 P48 800	PANEL DUCT M INS					1	1		VR00C320G05		
131	E27 P50 800	PANEL DUCT L INS							1	VR00C320G06		
132	E27 P45 808	LEG		2	2	2	2	2	2	KL02C727G01		
133	E27 580 704	SOCKET		1	1	1	1	1	1	BB25D449K01		





No.	Part No.	Part Name	Spec.	PFFY-P40/VCM-E.TH			PFFY-P50/VCM-E.TH			PFFY-P63/VCM-E.TH			Dwg. No.	Notes for the models	Revision info.
301	E27 319 128	MOTOR BASE		1	1	1							KB02B464G02		
302	E27 319 129	FAN CASE A ASSY		3	3	4							KB00G773G04		
303	E27 P33 129	FAN CASE B ASSY		3	3	4							KB00G774G04		
304	E27 319 500	SIROCCO FAN ASSY		3	3	4							KB00H341G01		
305	KB02H047G02	ATTACHMENT		2	2	2							KB02H047G02		
306	E27 C46 300	MOTOR	D896-2E	1	1	1							KR61B219H01		
307	KB02U467G01	ATTACHMENT (M-LOCK)		1	1	1							KB02U467G01		
308	E27 321 509	BEARING		1	1	1							KB58C793G01		
309	E27 321 499	SHAFT	3FAN	1	1								KB10B485H05		
310	E27 326 499	SHAFT	4FAN			1							KB10B486H05		
311	E27 321 518	FAN JOINT ASSY		1	1	1							KB00R475G01		





mitsubishi
electric
corporation

BWE018430 (20190228)