

# **SERVICE PARTS LIST FOR MITSUBISHI ELECTRIC PACKAGED AIR-CONDITIONERS**

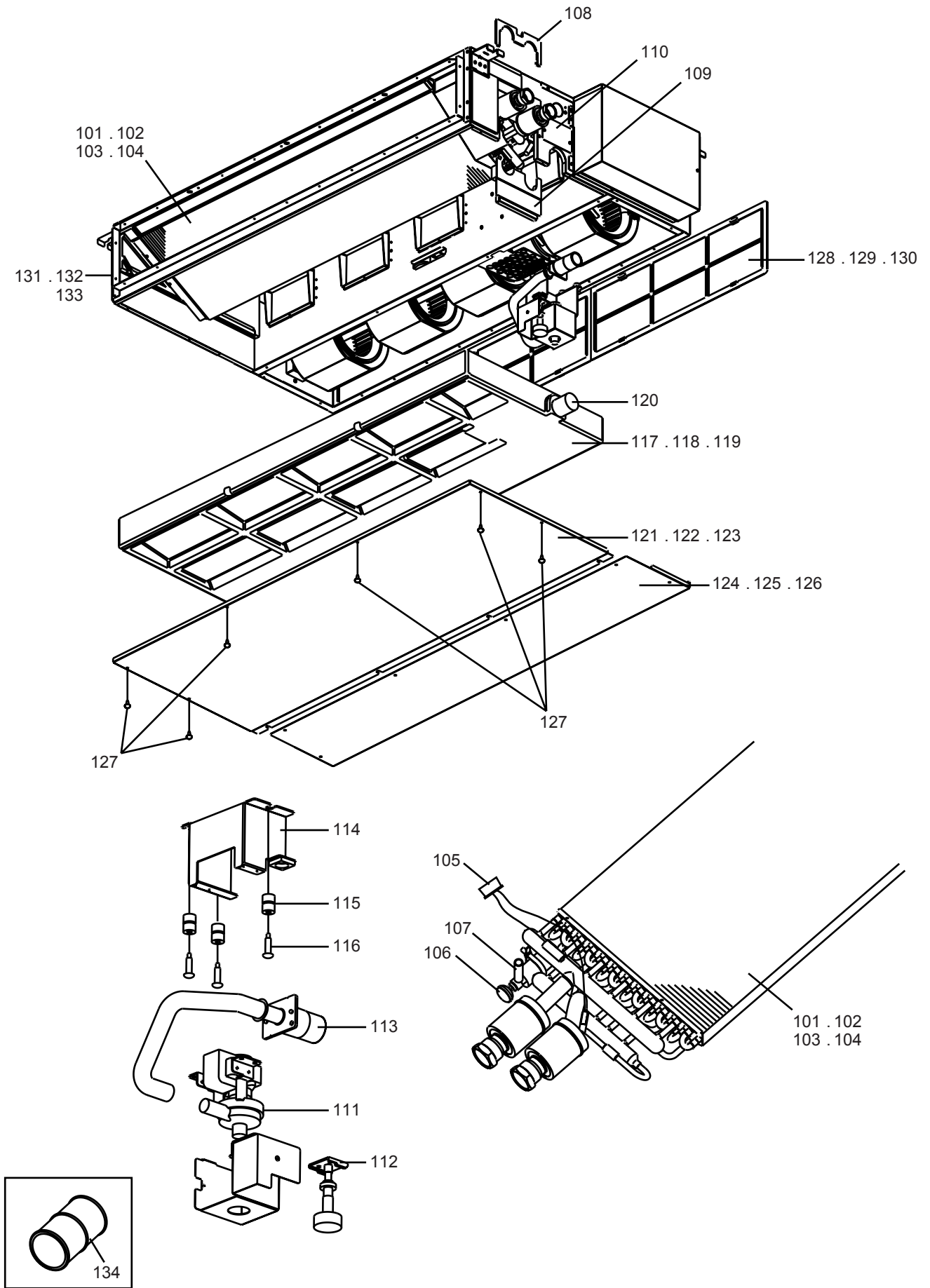
**Series : PEFY-WP•VMS1-E.TH**

**Feb. 2013**  
**BWE013010**

<b>INDEX</b>
<b>PEFY-WP15VMS1-E.TH</b>
<b>PEFY-WP20VMS1-E.TH</b>
<b>PEFY-WP25VMS1-E.TH</b>
<b>PEFY-WP32VMS1-E.TH</b>
<b>PEFY-WP40VMS1-E.TH</b>
<b>PEFY-WP50VMS1-E.TH</b>

PEFY-WP15,WP20VMS1-E.TH  
PEFY-WP25,WP32VMS1-E.TH  
PEFY-WP40,WP50VMS1-E.TH

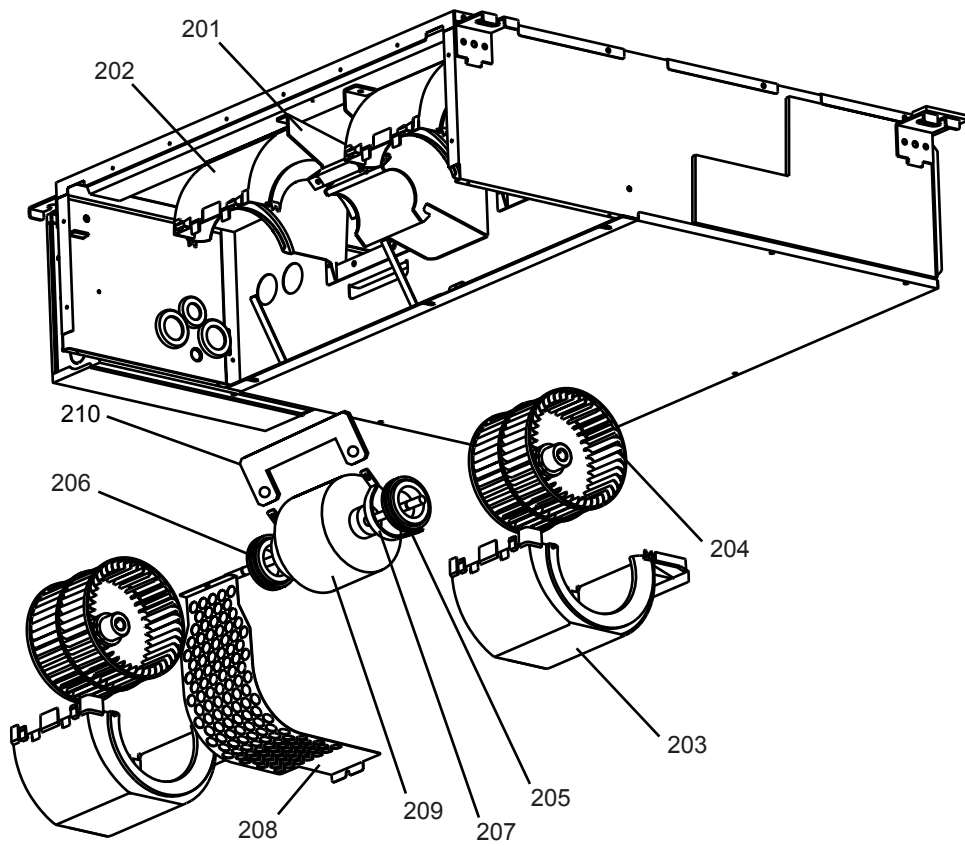
### EXTERNAL PARTS



No.	Part No.	G : RoHS Apply Only W : RoHS Apply by Running Change	Part Name	Spec.	PEFY-WP15VMS1-E.TH	PEFY-WP20VMS1-E.TH	PEFY-WP25VMS1-E.TH	PEFY-WP32VMS1-E.TH	PEFY-WP40VMS1-E.TH	PEFY-WP50VMS1-E.TH	Dwg. No.	Notes for the models	Revision info.
101	E17 895 620	G	HEAT EXCHANGER	WP15	1						KB00A580B01		
102	E17 896 620	G	HEAT EXCHANGER	WP25		1	1				KB00A579B01		
103	E17 898 620	G	HEAT EXCHANGER	WP40				1	1		KB00A578B01		
104	E17 900 620	G	HEAT EXCHANGER	WP50						1	KB00A578B02		
105	E17 319 307	G	THERMISTOR		1	1	1	1	1	1	RG71V202G01		
106	E17 895 642	G	AIR PURGE VALVE		1	1	1	1	1	1	KD41H877H01		
107	E17 895 919	G	TUBE	8×10 40C PVC	1	1	1	1	1	1	KD27H879H01		
108	E17 895 690	G	COVER PIPE ASSY 1		1	1	1	1	1	1	KD00H489G01		
109	E17 896 690	G	COVER PIPE ASSY 2		1	1	1	1	1	1	KD00H488G02		
110	E17 409 690	G	COVER ASSY INS		1	1	1	1	1	1	KB00H222G03		
111	E17 409 355	G	PUMP PLD		1	1	1	1	1	1	KB56B515H02		
112	E17 409 145	G	FLOAT SWITCH		1	1	1	1	1	1	BH68C952H02		
113	E17 409 704	G	SOCKET ASSY		1	1	1	1	1	1	KB00G754G01		
114	KB00M769G02	G	ATTACHMENT PUMP INS		1	1	1	1	1	1	KB00M769G02		
115	DB26F013L01	G	CUSHION		3	3	3	3	3	3	DB26F013L01		
116	E17 548 250	G	SCREW SPECIAL	M4×6	3	3	3	3	3	3	Z003Z333H05		
117	E17 319 700	G	DRAIN PAN S ASSY INS		1	1	1				KB00G775G19		
118	E17 320 700	G	DRAIN PAN M ASSY INS					1	1		KB00G775G20		
119	E17 326 700	G	DRAIN PAN L ASSY INS							1	KB00G775G21		
120	E17 414 524	G	PLUG	RUBBER	1	1	1	1	1	1	KB26H049H01		
121	E17 895 717	G	PANEL UNDER 1 S ASSY		1	1	1				KB00G776G13		
122	E17 898 717	G	PANEL UNDER 1 M ASSY					1	1		KB00G776G14		
123	E17 900 717	G	PANEL UNDER 1 L ASSY							1	KB00G776G15		
124	E17 895 718	G	PANEL UNDER 2 S ASSY		1	1	1				KJ00C175G01		
125	E17 898 718	G	PANEL UNDER 2 M ASSY					1	1		KJ00C175G02		
126	E17 900 718	G	PANEL UNDER 2 L ASSY							1	KJ00C175G03		
127	E17 319 250	G	SCREW ADD.WORK DWG		5	5	5	6	6	6	KB12H389G01		
128	E17 319 100	G	FILTER	15	1	1	1				KB35B272G02		
129	E17 320 100	G	FILTER	40				1	1		KB35B207G02		
130	E17 326 100	G	FILTER	63						2	KB35B208G02		
131	E17 319 800	G	PANEL DUCT S INS		1	1	1				KB00G751G07		
132	E17 320 800	G	PANEL DUCT M INS					1	1		KB00G751G08		
133	E17 326 800	G	PANEL DUCT L INS							1	KB00G751G09		
134	E17 580 704	G	SOCKET		1	1	1	1	1	1	BB25D449H01		

PEFY-WP15VMS1-E.TH  
PEFY-WP20VMS1-E.TH  
PEFY-WP25VMS1-E.TH

### BLOWER PARTS (1)



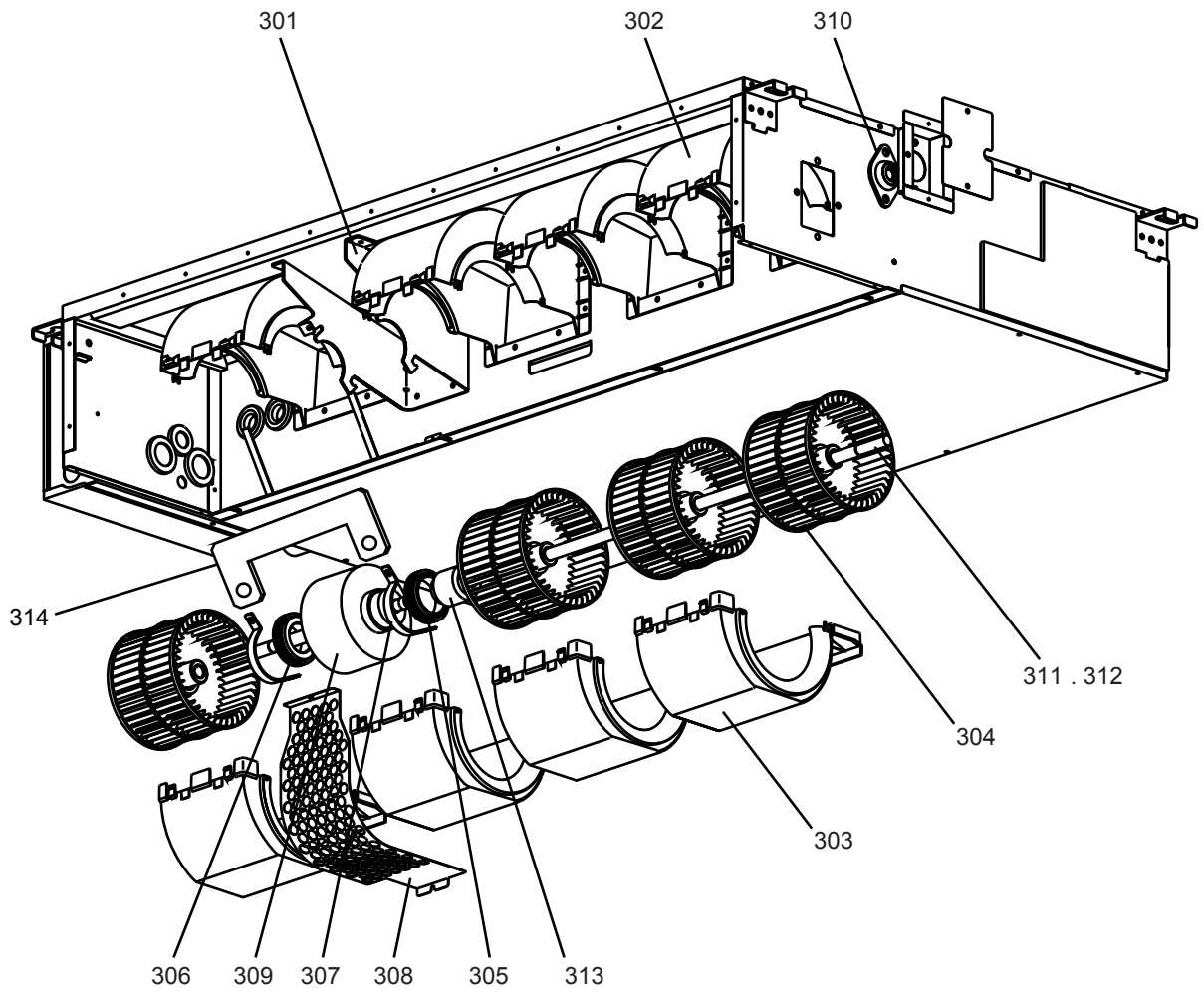
PEFY-WP15VMS1-E.TH  
 PEFY-WP20VMS1-E.TH  
 PEFY-WP25VMS1-E.TH

### BLOWER PARTS (1)

No.	Part No.	G : RoHS Apply Only W : RoHS Apply by Running Change		Spec.	PEFY-WP15VMS1-E.TH	PEFY-WP20VMS1-E.TH	PEFY-WP25VMS1-E.TH				Dwg. No.	Notes for the models	Revision info.
			Part Name										
201	E17 319 128	G	<b>MOTOR BASE</b>		1	1	1				KB02B464G02		
202	E17 319 129	G	<b>FAN CASE A ASSY</b>		2	2	2				KB00G773G03		
203	E17 320 129	G	<b>FAN CASE B ASSY</b>		2	2	2				KB00G774G03		
204	E17 319 500	G	<b>SIROCCO FAN ASSY</b>		2	2	2				KB00H341G01		
205	E17 319 505	G	<b>RUBBER MOUNT L</b>		1	1	1				KB31D833H03		
206	E17 320 505	G	<b>RUBBER MOUNT R</b>		1	1	1				KB31D833H04		
207	KB02H047G02	G	<b>ATTACHMENT</b>		2	2	2				KB02H047G02		
208	E17 319 513	G	<b>MOTOR COVER ASSY</b>		1	1	1				KB00H600G02		
209	E17 783 300	G	<b>MOTOR</b>		1	1	1				KB61B503H03		
210	KB02U467G01	G	<b>ATTACHMENT(M-LOCK)</b>		1	1	1				KB02U467G01		

PEFY-WP32VMS1-E.TH  
PEFY-WP40VMS1-E.TH  
PEFY-WP50VMS1-E.TH

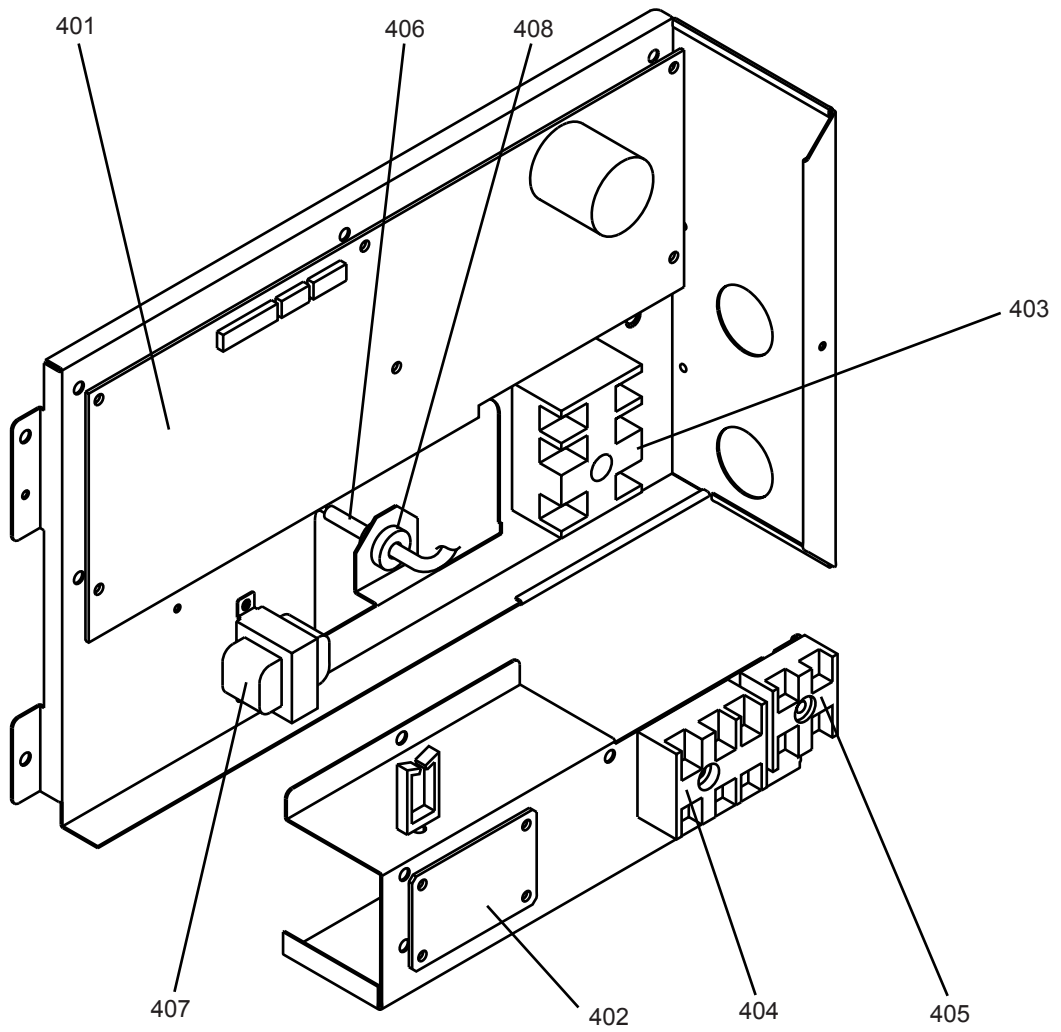
## BLOWER PARTS (2)



No.	Part No.	G : RoHS Apply Only W : RoHS Apply by Running Change	Part Name	Spec.	PEFY-WP32VMS1-E.TH	PEFY-WP40VMS1-E.TH	PEFY-WP50VMS1-E.TH				Dwg. No.	Notes for the models	Revision info.
302	E17 319 129	G	FAN CASE A ASSY		3	3	4				KB00G773G03		
303	E17 320 129	G	FAN CASE B ASSY		3	3	4				KB00G774G03		
304	E17 319 500	G	SIROCCO FAN ASSY		3	3	4				KB00H341G01		
305	E17 319 505	G	RUBBER MOUNT L		1	1	1				KB31D833H03		
306	E17 320 505	G	RUBBER MOUNT R		1	1	1				KB31D833H04		
307	KB02H047G02	G	ATTACHMENT		2	2	2				KB02H047G02		
308	E17 319 513	G	MOTOR COVER ASSY		1	1	1				KB00H600G02		
309	E17 788 300	G	MOTOR		1	1	1				KB61B504H03		
310	E17 321 509	G	BEARING		1	1	1				KB58C793G01		
311	E17 321 499	G	SHAFT	3FAN	1	1					KB10B485H03		
312	E17 326 499	G	SHAFT	4FAN			1				KB10B486H03		
313	E17 321 518	G	FAN JOINT ASSY		1	1	1				KB00R475G01		
314	KB02U467G01	G	ATTACHMENT(M-LOCK)		1	1	1				KB02U467G01		

PEFY-WP15,WP20VMS1-E.TH  
PEFY-WP25,WP32VMS1-E.TH  
PEFY-WP40,WP50VMS1-E.TH

## CONTROL BOX PARTS





CONTROL BOX PARTS

No.	Part No.	G : RoHS Apply Only W: RoHS Apply by Running Change		Spec.	PEFY-WP15VMS1-E.TH	PEFY-WP20VMS1-E.TH	PEFY-WP25VMS1-E.TH	PEFY-WP32VMS1-E.TH	PEFY-WP40VMS1-E.TH	PEFY-WP50VMS1-E.TH	Dwg. No.	Notes for the models	Revision info.
			Part Name										
401	E17 895 447	G	PRINTED CIRCUIT ASSEMBLY	INDOOR	1	1	1	1	1	1	KE01D280B13		
402	E17 402 456	G	PRINTED CIRCUIT ASSEMBLY	ADDRESS BOARD	1	1	1	1	1	1	KE01D281B01		
403	E17 155 375	G	TERMINAL BLOCK ASSY		1	1	1	1	1	1	BG00R200G26		
404	E17 154 375	G	TERMINAL BLOCK ASSY		1	1	1	1	1	1	BH00C267G04		
405	E17 156 375	G	TERMINAL BLOCK ASSY		1	1	1	1	1	1	BG00R200G62		
406	E17 319 308	G	THERMISTOR S	250XAP	1	1	1	1	1	1	RG71J628H01		
407	E17 408 337	G	REACTOR	CHM							1	KE65D276H01	
408	E17 319 013	G	BUSH	SRB-R-2	1	1	1	1	1	1	KB32K138H01		

**mitsubishi electric corporation**  
HEAD OFFICE: TOKYO BLDG., 2-7-3, MARUNOUCHI, CHIYODA-KU, TOKYO 100-8310, JAPAN

---

BWE013010 (20130228)