

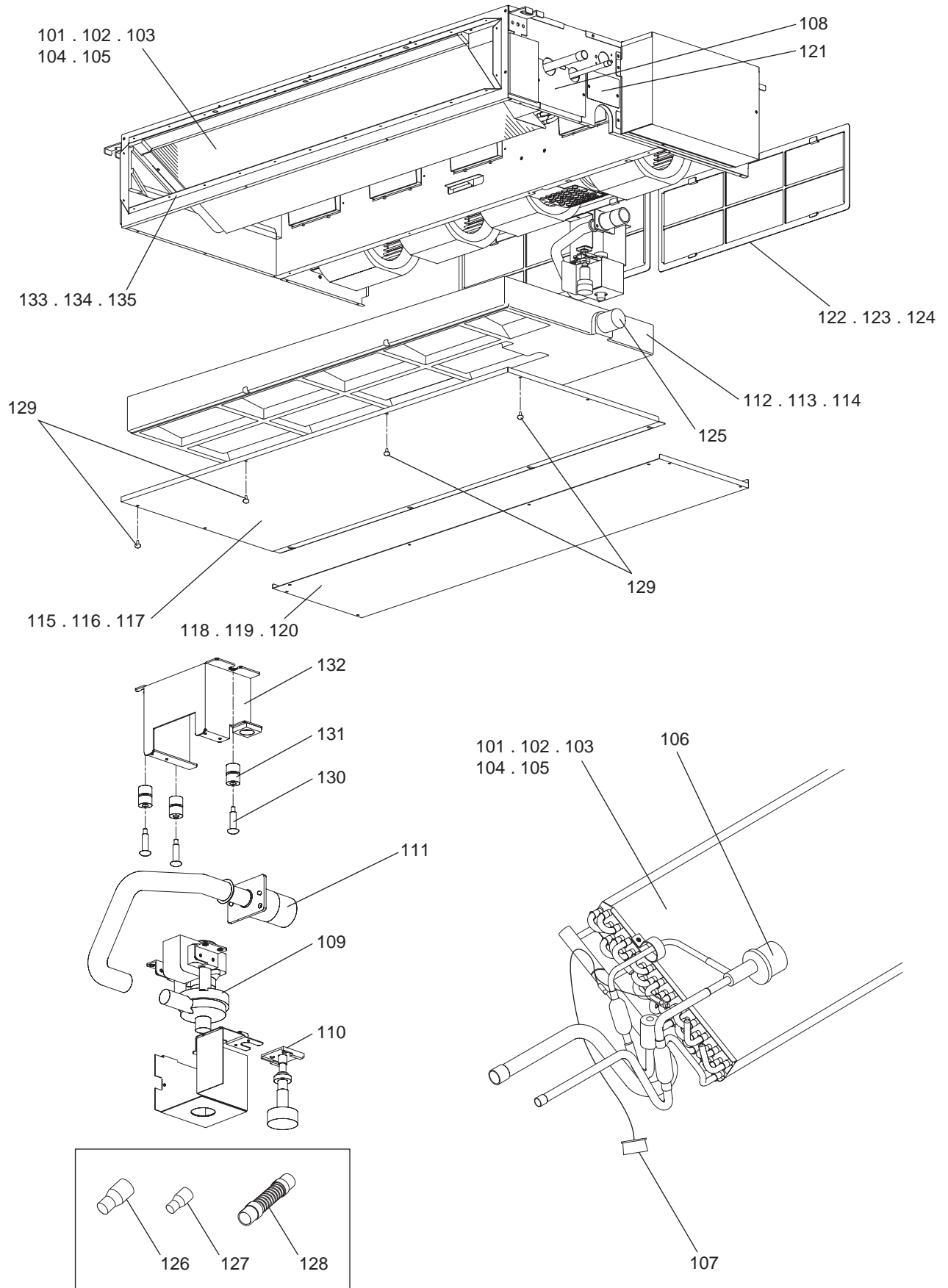
# SERVICE PARTS LIST FOR MITSUBISHI ELECTRIC PACKAGED AIR-CONDITIONERS

Series : PEFY-P·VMS1-ER3.TH  
PEFY-P·VMS1L-ER2.TH

Mar. 2020  
BWE020030

## INDEX

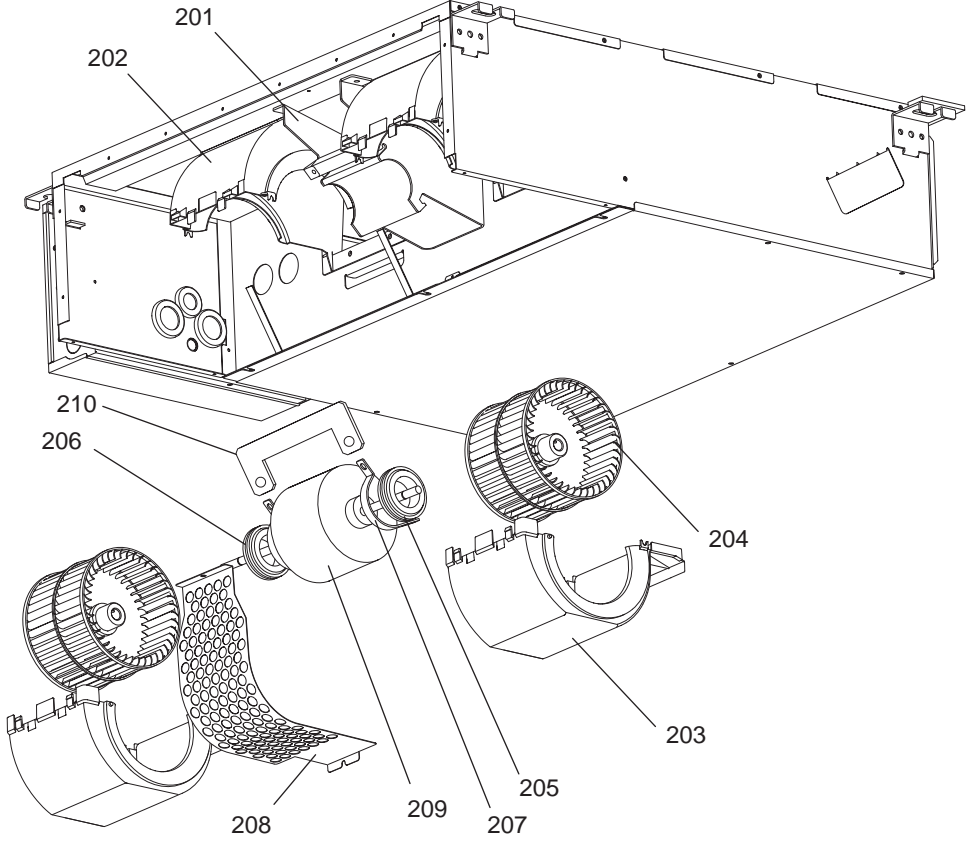
PEFY-P15VMS1-ER3.TH	PEFY-P15VMS1L-ER2.TH
PEFY-P20VMS1-ER3.TH	PEFY-P20VMS1L-ER2.TH
PEFY-P25VMS1-ER3.TH	PEFY-P25VMS1L-ER2.TH
PEFY-P32VMS1-ER3.TH	PEFY-P32VMS1L-ER2.TH
PEFY-P40VMS1-ER3.TH	PEFY-P40VMS1L-ER2.TH
PEFY-P50VMS1-ER3.TH	PEFY-P50VMS1L-ER2.TH
PEFY-P63VMS1-ER3.TH	PEFY-P63VMS1L-ER2.TH



No.	Part No.	Part Name	Spec.	PEFY-P15/P20/P25/P32/P40/P50/P63VMS1-ER3.TH						Dwg. No.	Notes for the models	Revision info.
				PEFY-P15/P20/P25/P32/P40/P50/P63VMS1L-ER2.TH	PEFY-P15/P20/P25/P32/P40/P50/P63VMS1-ER3.TH	PEFY-P15/P20/P25/P32/P40/P50/P63VMS1-ER3.TH	PEFY-P15/P20/P25/P32/P40/P50/P63VMS1-ER3.TH	PEFY-P15/P20/P25/P32/P40/P50/P63VMS1-ER3.TH	PEFY-P15/P20/P25/P32/P40/P50/P63VMS1-ER3.TH			
101	E17 402 620	HEAT EXCHANGER		1						KB00A079B02		
102	E17 403 620	HEAT EXCHANGER			1	1				KB00A082B02		
103	E17 405 620	HEAT EXCHANGER					1			KB00A080B02		
104	E17 406 620	HEAT EXCHANGER						1	1	KB00A081B02		
105	E17 408 620	HEAT EXCHANGER								KB00A075B02		
106	E17 409 640	LINEAR EXPANSION VALVE	EFM-40YGMD-1	1	1	1	1	1	1	KB50B472H01		
107	E17 319 307	THERMISTOR		1	1	1	1	1	1	RG71V202G01		
108	E17 319 690	COVER PIPE ASSY		1	1	1	1	1	1	KB00H214G02		
109	E17 409 355	PUMP	PLD	1	1	1	1	1	1	KB56B515H02		
110	E17 409 145	FLOAT SWITCH		1	1	1	1	1	1	BH68C952H02		
111	E17 409 704	SOCKET ASSY		1	1	1	1	1	1	KB00G754G01		
112	E17 319 700	DRAIN PAN S ASSY		1	1	1	1			KB00G775G22		
113	E17 320 700	DRAIN PAN M ASSY						1	1	KB00G775G23		
114	E17 326 700	DRAIN PAN L ASSY								KB00G775G24		
115	E17 319 717	PANEL UNDER 1 S ASSY		1	1	1	1			KB00G776G07		
116	E17 321 717	PANEL UNDER 1 M ASSY						1	1	KB00G776G08		
117	E17 326 717	PANEL UNDER 1 L ASSY								KB00G776G09		
118	E17 319 718	PANEL UNDER 2 S		1	1	1	1			KB02B455G02		
119	E17 320 718	PANEL UNDER 2 M						1	1	KB02B457G01		
120	E17 326 718	PANEL UNDER 2 L								KB02A071G02		
121	E17 409 690	COVER ASSY		1	1	1	1	1	1	KB00H222G03		
122	E17 319 100	FILTER 15		1	1	1	1			KB35B272G02		
123	E17 320 100	FILTER 40						1	1	KB35B207G02		
124	E17 326 100	FILTER 63								KB35B208G02		
125	E17 414 524	PLUG	RUBBER	1	1	1	1	1	1	KB26H049H01		
126	E17 407 204	REDUCER	12.7-15.88						1	KB14H395G02		
127	E17 414 204	REDUCER	6.35-9.52						1	KB14H390G02		
128	E17 319 702	DRAIN HOSE		1	1	1	1	1	1	KB27T150H02		
129	E17 319 250	SCREW ASSY		3	3	3	3	4	4	KB12H389G01		
130	E17 548 250	SCREW SPECIAL	M4 x 6	3	3	3	3	3	3	Z003Z333H05		
131	DB26F013L01	CUSHION		3	3	3	3	3	3	DB26F013L01		
132	KB00M769G02	ATTACHMENT PUMP		1	1	1	1	1	1	KB00M769G02		
133	E17 319 800	PANEL DUCT S ASSY		1	1	1	1			KB00G751G07		
134	E17 320 800	PANEL DUCT M ASSY						1	1	KB00G751G08		
135	E17 326 800	PANEL DUCT L ASSY								KB00G751G09		

No.	Part No.	Part Name	Spec.							Dwg. No.	Notes for the models	Revision info.	
				PEFY-P63VMS1-ER3.TH	PEFY-P15/P20/P25/P32/P40/P50/P63VMS1L-ER2.TH	PEFY-P20/P25/P32/P40/P50/P63VMS1L-ER2.TH	PEFY-P25/P32/P40/P50/P63VMS1L-ER2.TH	PEFY-P32/P40/P50/P63VMS1L-ER2.TH	PEFY-P40/P50/P63VMS1L-ER2.TH				
101	E17 402 620	HEAT EXCHANGER			1						KB00A079B02		
102	E17 403 620	HEAT EXCHANGER				1	1				KB00A082B02		
103	E17 405 620	HEAT EXCHANGER							1		KB00A080B02		
104	E17 406 620	HEAT EXCHANGER							1		KB00A081B02		
105	E17 408 620	HEAT EXCHANGER		1							KB00A075B02		
106	E17 409 640	LINEAR EXPANSION VALVE	EFM-40YGMD-1	1	1	1	1	1	1		KB50B472H01		
107	E17 319 307	THERMISTOR		1	1	1	1	1	1		RG71V202G01		
108	E17 319 690	COVER PIPE ASSY		1	1	1	1	1	1		KB00H214G02		
109	E17 409 355	PUMP	PLD	1							KB56B515H02		
110	E17 409 145	FLOAT SWITCH		1							BH68C952H02		
111	E17 409 704	SOCKET ASSY		1							KB00G754G01		
112	E17 319 700	DRAIN PAN S ASSY			1	1	1	1			KB00G775G22		
113	E17 320 700	DRAIN PAN M ASSY							1		KB00G775G23		
114	E17 326 700	DRAIN PAN L ASSY		1							KB00G775G24		
115	E17 319 717	PANEL UNDER 1 S ASSY			1	1	1	1			KB00G776G07		
116	E17 321 717	PANEL UNDER 1 M ASSY							1		KB00G776G08		
117	E17 326 717	PANEL UNDER 1 L ASSY		1							KB00G776G09		
118	E17 319 718	PANEL UNDER 2 S			1	1	1	1			KB02B455G02		
119	E17 320 718	PANEL UNDER 2 M							1		KB02B457G01		
120	E17 326 718	PANEL UNDER 2 L		1							KB02A071G02		
121	E17 409 690	COVER ASSY		1							KB00H222G03		
122	E17 319 100	FILTER 15			1	1	1	1			KB35B272G02		
123	E17 320 100	FILTER 40							1		KB35B207G02		
124	E17 326 100	FILTER 63		2							KB35B208G02		
125	E17 414 524	PLUG	RUBBER	1							KB26H049H01		
126	E17 407 204	REDUCER	12.7-15.88								KB14H395G02		
127	E17 414 204	REDUCER	6.35-9.52								KB14H390G02		
128	E17 319 702	DRAIN HOSE		1	1	1	1	1	1		KB27T150H02		
129	E17 319 250	SCREW ASSY		4	3	3	3	3	4		KB12H389G01		
130	E17 548 250	SCREW SPECIAL	M4 x 6	3							Z003Z333H05		
131	DB26F013L01	CUSHION		3							DB26F013L01		
132	KB00M769G02	ATTACHMENT PUMP		1							KB00M769G02		
133	E17 319 800	PANEL DUCT S ASSY			1	1	1	1			KB00G751G07		
134	E17 320 800	PANEL DUCT M ASSY							1		KB00G751G08		
135	E17 326 800	PANEL DUCT L ASSY		1							KB00G751G09		

No.	Part No.	Part Name	Spec.	PEFY-P63VMS1L-ER2.TH	PEFY-P63VMS1L-ER2.TH						Dwg. No.	Notes for the models	Revision info.
101	E17 402 620	HEAT EXCHANGER									KB00A079B02		
102	E17 403 620	HEAT EXCHANGER									KB00A082B02		
103	E17 405 620	HEAT EXCHANGER									KB00A080B02		
104	E17 406 620	HEAT EXCHANGER		1							KB00A081B02		
105	E17 408 620	HEAT EXCHANGER			1						KB00A075B02		
106	E17 409 640	LINEAR EXPANSION VALVE	EFM-40YGMD-1	1	1						KB50B472H01		
107	E17 319 307	THERMISTOR		1	1						RG71V202G01		
108	E17 319 690	COVER PIPE ASSY		1	1						KB00H214G02		
109	E17 409 355	PUMP	PLD								KB56B515H02		
110	E17 409 145	FLOAT SWITCH									BH68C952H02		
111	E17 409 704	SOCKET ASSY									KB00G754G01		
112	E17 319 700	DRAIN PAN S ASSY									KB00G775G22		
113	E17 320 700	DRAIN PAN M ASSY		1							KB00G775G23		
114	E17 326 700	DRAIN PAN L ASSY			1						KB00G775G24		
115	E17 319 717	PANEL UNDER 1 S ASSY									KB00G776G07		
116	E17 321 717	PANEL UNDER 1 M ASSY		1							KB00G776G08		
117	E17 326 717	PANEL UNDER 1 L ASSY			1						KB00G776G09		
118	E17 319 718	PANEL UNDER 2 S									KB02B455G02		
119	E17 320 718	PANEL UNDER 2 M		1							KB02B457G01		
120	E17 326 718	PANEL UNDER 2 L			1						KB02A071G02		
121	E17 409 690	COVER ASSY									KB00H222G03		
122	E17 319 100	FILTER 15									KB35B272G02		
123	E17 320 100	FILTER 40		1							KB35B207G02		
124	E17 326 100	FILTER 63			2						KB35B208G02		
125	E17 414 524	PLUG	RUBBER								KB26H049H01		
126	E17 407 204	REDUCER	12.7-15.88	1							KB14H395G02		
127	E17 414 204	REDUCER	6.35-9.52	1							KB14H390G02		
128	E17 319 702	DRAIN HOSE		1	1						KB27T150H02		
129	E17 319 250	SCREW ASSY		4	4						KB12H389G01		
130	E17 548 250	SCREW SPECIAL	M4 x 6								Z003Z333H05		
131	DB26F013L01	CUSHION									DB26F013L01		
132	KB00M769G02	ATTACHMENT PUMP									KB00M769G02		
133	E17 319 800	PANEL DUCT S ASSY									KB00G751G07		
134	E17 320 800	PANEL DUCT M ASSY		1							KB00G751G08		
135	E17 326 800	PANEL DUCT L ASSY			1						KB00G751G09		



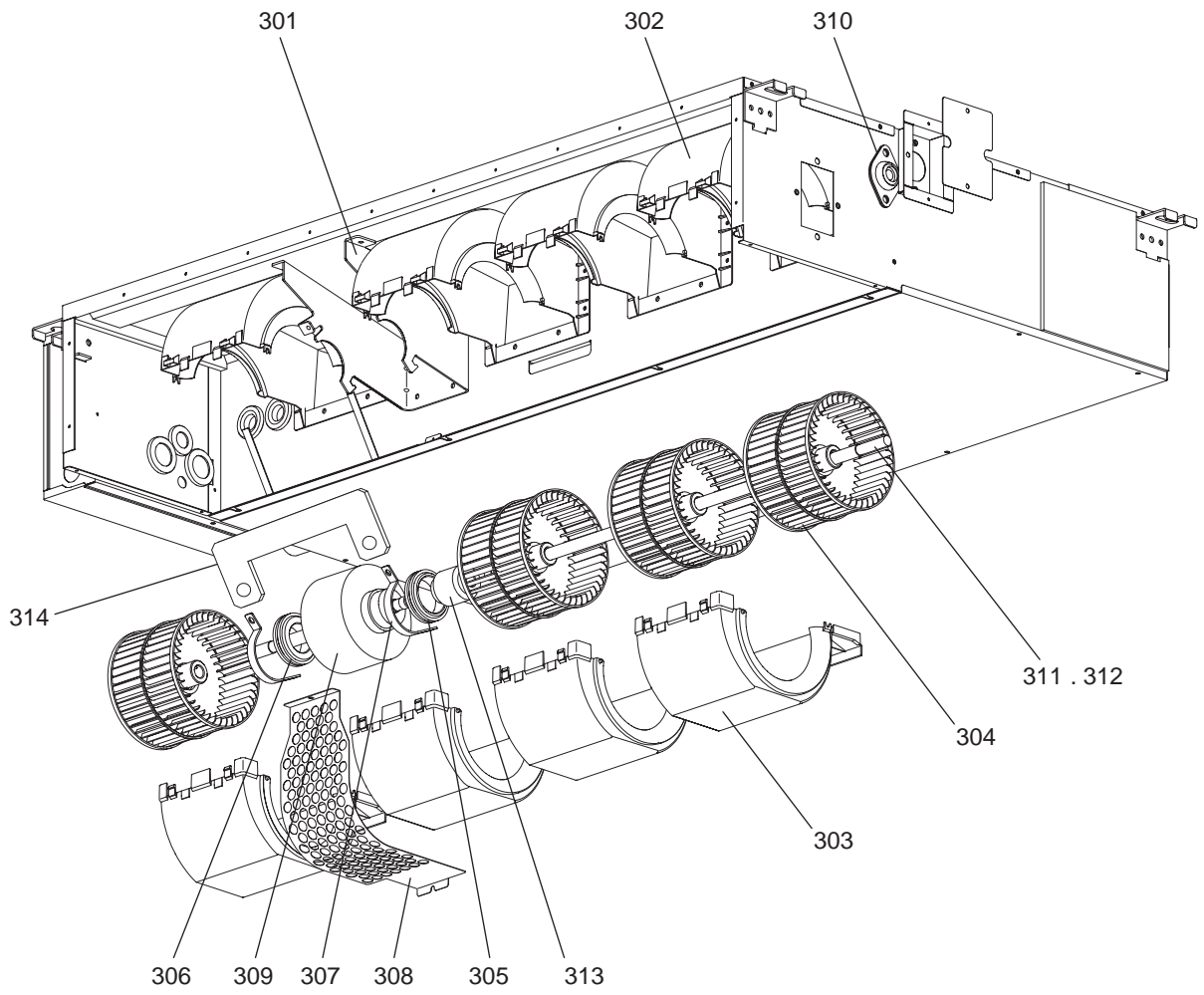
PEFY-P15,P20,P25,P32VMS1-ER3.TH  
 PEFY-P15,P20,P25,P32VMS1L-ER2.TH

BLOWER PARTS (1)

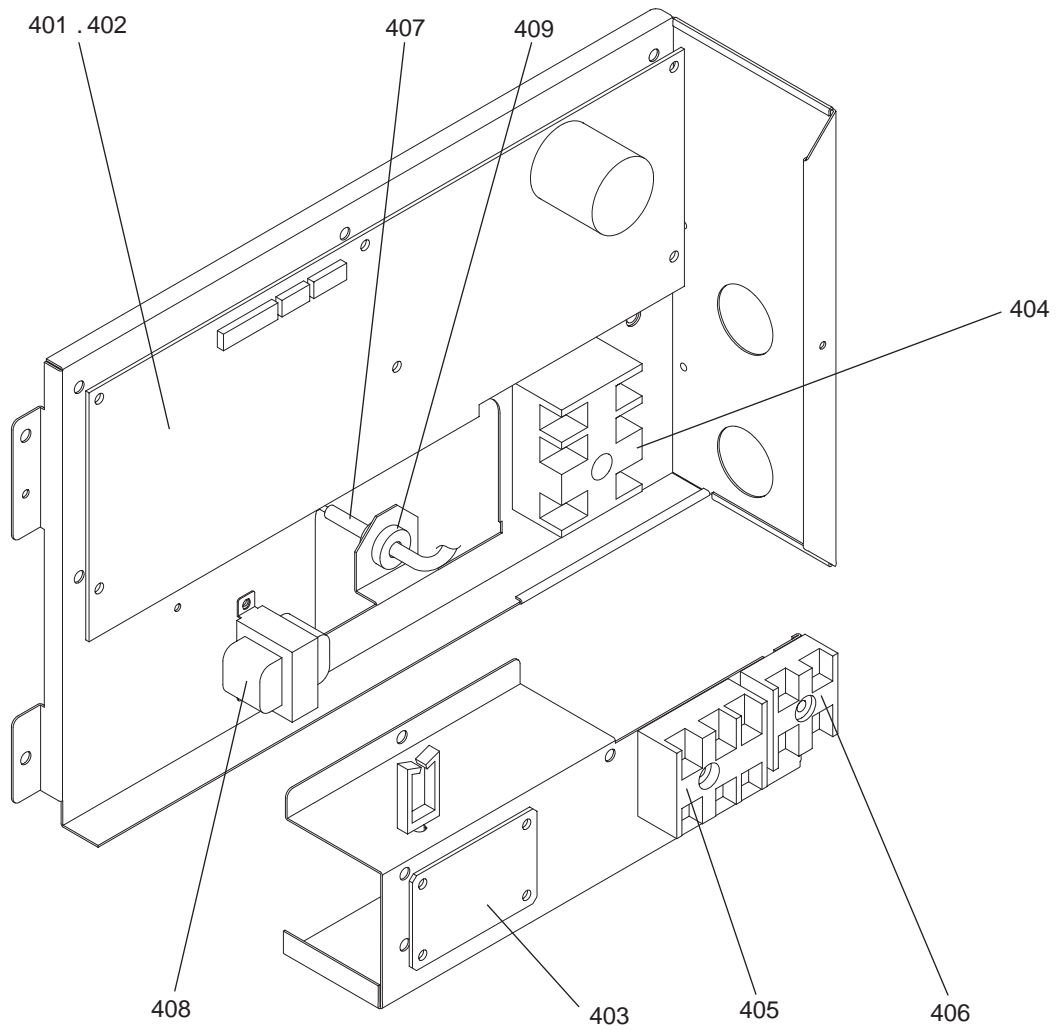
No.	Part No.	Part Name	Spec.	PEFY-P15/M81-ER3.TH	PEFY-P20/M81-ER3.TH	PEFY-P25/M81-ER3.TH	PEFY-P32/M81-ER3.TH	PEFY-P15/M81L-ER2.TH	PEFY-P20/M81L-ER2.TH	Dwg. No.	Notes for the models	Revision info.
201	E17 319 128	MOTOR BASE		1	1	1	1	1	1	KB02B464G02		
202	E17 319 129	FAN CASE A ASSY		2	2	2	2	2	2	KB00G773G04		
203	E17 320 129	FAN CASE B ASSY		2	2	2	2	2	2	KB00G774G05		
204	E17 319 500	SIROCCO FAN ASSY		2	2	2	2	2	2	KB00H341G01		
205	E17 319 505	RUBBER MOUNT L		1	1	1	1	1	1	KB31D833H03		
206	E17 320 505	RUBBER MOUNT R		1	1	1	1	1	1	KB31D833H04		
207	KB02H047G02	ATTACHMENT		2	2	2	2	2	2	KB02H047G02		
208	E17 319 513	MOTOR COVER ASSY		1	1	1	1	1	1	KB00H600G02		
209	E17 783 300	MOTOR		1	1	1	1	1	1	KR61B218H01		
210	KB02U467G01	ATTACHMENT(M-LOCK)		1	1	1	1	1	1	KB02U467G01		

No.	Part No.	Part Name	Spec.	PEFY-P20VMS1L-ER2.TH	PEFY-P20VMS1L-ER2.TH							Dwg. No.	Notes for the models	Revision info.
201	E17 319 128	MOTOR BASE		1	1							KB02B464G02		
202	E17 319 129	FAN CASE A ASSY		2	2							KB00G773G04		
203	E17 320 129	FAN CASE B ASSY		2	2							KB00G774G05		
204	E17 319 500	SIROCCO FAN ASSY		2	2							KB00H341G01		
205	E17 319 505	RUBBER MOUNT L		1	1							KB31D833H03		
206	E17 320 505	RUBBER MOUNT R		1	1							KB31D833H04		
207	KB02H047G02	ATTACHMENT		2	2							KB02H047G02		
208	E17 319 513	MOTOR COVER ASSY		1	1							KB00H600G02		
209	E17 783 300	MOTOR		1	1							KR61B218H01		
210	KB02U467G01	ATTACHMENT(M-LOCK)		1	1							KB02U467G01		





No.	Part No.	Part Name	Spec.							Dwg. No.	Notes for the models	Revision info.
				PEFY-P40VMS1-ER3.TH	PEFY-P50VMS1-ER3.TH	PEFY-P63VMS1-ER3.TH	PEFY-P40VMS1L-ER2.TH	PEFY-P50VMS1L-ER2.TH	PEFY-P63VMS1L-ER2.TH			
301	E17 319 128	MOTOR BASE		1	1	1	1	1	1	KB02B464G02		
302	E17 319 129	FAN CASE A ASSY		3	3	4	3	3	4	KB00G773G04		
303	E17 320 129	FAN CASE B ASSY		3	3	4	3	3	4	KB00G774G05		
304	E17 319 500	SIROCCO FAN ASSY		3	3	4	3	3	4	KB00H341G01		
305	E17 319 505	RUBBER MOUNT L		1	1	1	1	1	1	KB31D833H03		
306	E17 320 505	RUBBER MOUNT R		1	1	1	1	1	1	KB31D833H04		
307	KB02H047G02	ATTACHMENT		2	2	2	2	2	2	KB02H047G02		
308	E17 319 513	MOTOR COVER ASSY		1	1	1	1	1	1	KB00H600G02		
309	E17 788 300	MOTOR		1	1	1	1	1	1	KR61B219H01		
310	E17 321 509	BEARING		1	1	1	1	1	1	KB58C793G02		
311	E17 321 499	SHAFT 3FAN		1	1		1	1		KB10B485H05		
312	E17 326 499	SHAFT 4FAN				1			1	KB10B486H05		
313	E17 321 518	FAN JOINT ASSY		1	1	1	1	1	1	KB00R475G01		
314	KB02U467G01	ATTACHMENT(M-LOCK)		1	1	1	1	1	1	KB02U467G01		





No.	Part No.	Part Name	Spec.	PEFY-P63VMS1-ER3.TH	PEFY-P416VMS1L-ER2.TH	PEFY-P20VMS1L-ER2.TH	PEFY-P25VMS1L-ER2.TH	PEFY-P32VMS1L-ER2.TH	PEFY-P40VMS1L-ER2.TH	Dwg. No.	Notes for the models	Revision info.
401	E17 881 447	PRINTED CIRCUIT ASSEMBLY	INDOOR	1						KE01D280B11		
402	E17 888 447	PRINTED CIRCUIT ASSEMBLY	INDOOR		1	1	1	1	1	KE01D280B12		
403	E17 402 456	PRINTED CIRCUIT ASSEMBLY	ADDRESS BOARD	1	1	1	1	1	1	KE01D281B01		
404	E17 155 375	TERMINAL BLOCK ASSY		1	1	1	1	1	1	BG00R200G26		
405	E17 154 375	TERMINAL BLOCK ASSY		1	1	1	1	1	1	BH00C267G04		
406	E17 156 375	TERMINAL BLOCK ASSY		1	1	1	1	1	1	BG00R200G62		
407	E17 319 308	THERMISTOR S	250XAP	1	1	1	1	1	1	RG71J628H01		
408	E17 408 337	REACTOR	CHM	1						KE65D276H01		
409	E17 319 013	BUSH	SRB-R-2	1	1	1	1	1	1	KB32K138H01		

No.	Part No.	Part Name	Spec.	PEFY-P63VMS1L-ER2.TH	PEFY-P63VMS1L-ER2.TH						Dwg. No.	Notes for the models	Revision info.
401	E17 881 447	PRINTED CIRCUIT ASSEMBLY	INDOOR								KE01D280B11		
402	E17 888 447	PRINTED CIRCUIT ASSEMBLY	INDOOR	1	1						KE01D280B12		
403	E17 402 456	PRINTED CIRCUIT ASSEMBLY	ADDRESS BOARD	1	1						KE01D281B01		
404	E17 155 375	TERMINAL BLOCK ASSY		1	1						BG00R200G26		
405	E17 154 375	TERMINAL BLOCK ASSY		1	1						BH00C267G04		
406	E17 156 375	TERMINAL BLOCK ASSY		1	1						BG00R200G62		
407	E17 319 308	THERMISTOR S	250XAP	1	1						RG71J628H01		
408	E17 408 337	REACTOR	CHM		1						KE65D276H01		
409	E17 319 013	BUSH	SRB-R-2	1	1						KB32K138H01		

**mitsubishi**  
**electric**  
**corporation**

---

BWE020030 (20200331)