

# SERVICE PARTS LIST FOR MITSUBISHI ELECTRIC PACKAGED AIR-CONDITIONERS

**Series : PEFY-P•VMHS-E**

**REVISED**

**Dec. 2012**

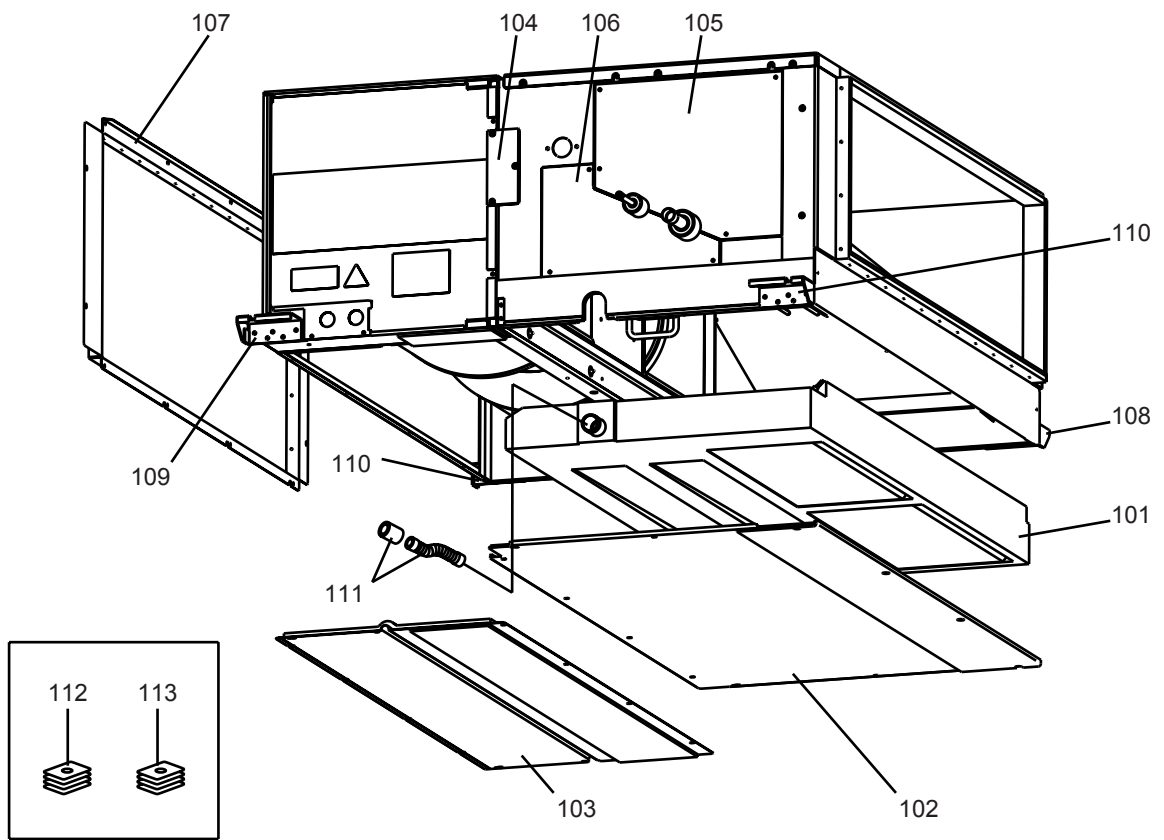
**BWE1104B**

<b>INDEX</b>
<b>PEFY-P200VMHS-E</b> <b>PEFY-P250VMHS-E</b>

Part information update day : **2012/12/27**

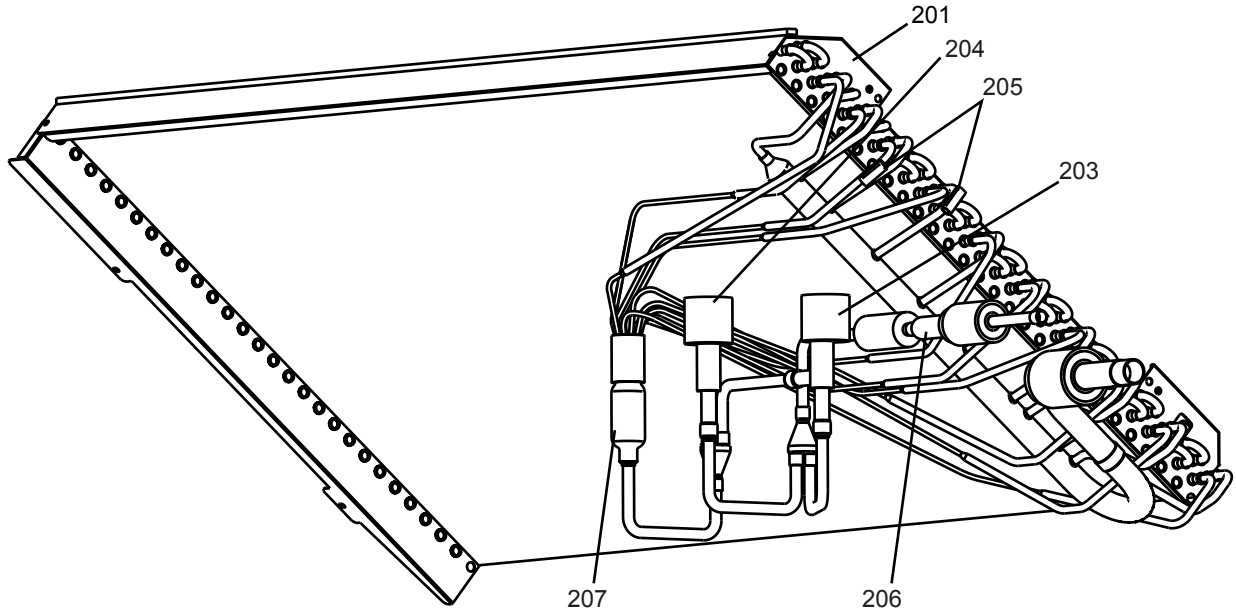
Please change the old catalog (issued Apr. 2012, BWE1104A) to this new catalog.  
Content of revision : Some of parts are changed.



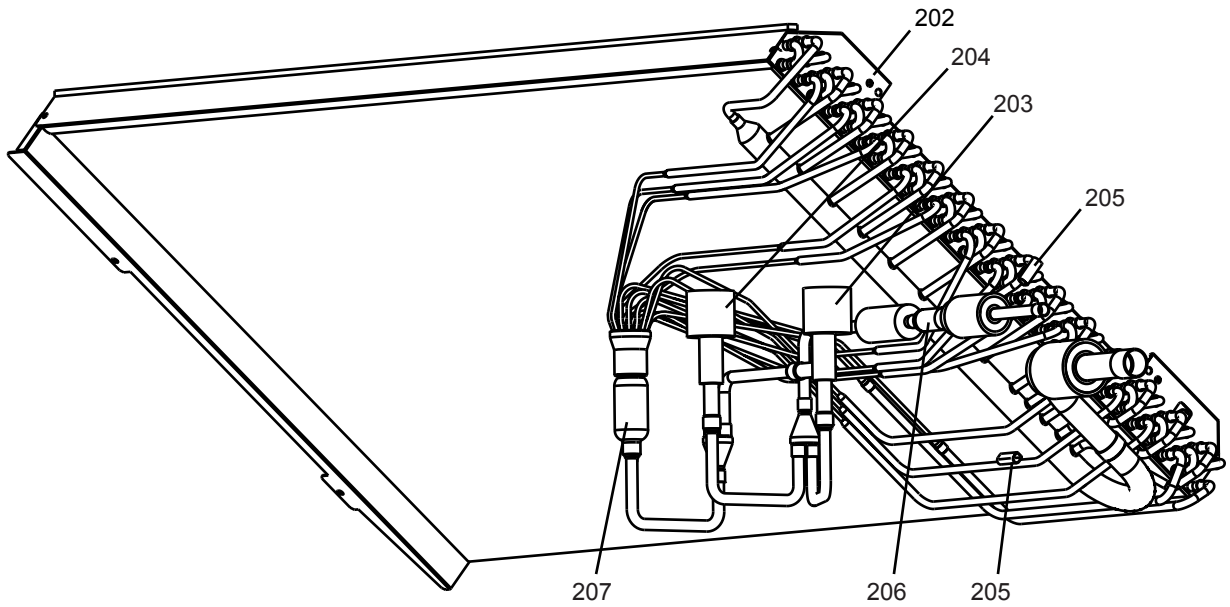


No.	Part No.	G : RoHS Apply Only W: RoHS Apply by Running Change	Part Name	Spec.	PEFY-P200VMHS-E	PEFY-P250VMHS-E					Dwg. No.	Notes for the models	Revision info.
101	R61 079 529	G	Drain Pan		1	1					W125114G36		
102	R61 040 661	G	Bottom plate assy 1		1	1					KD00L104G01		
103	R61 039 661	G	Bottom plate assy 2		1	1					KD00L106G01		
104	R61 099 690	G	Lead wire cover		1	1					KD00D349G01		
105	R61 098 690	G	Cover 1		1	1					W870642G02		
106	R61 097 690	G	Cover 2		1	1					W870643G02		
107	R61 027 457	G	Flange		1	1					KD00L110G01		
108	R61 012 326	G	Hanging metal fittings		1	1					KB00P817G01		
109	R61 014 326	G	Hanging metal fittings		1	1					KB02P989H01		
110	R61 015 326	G	Hanging metal fittings		2	2					KB02P989H02		
111	R63 P53 525	G	Drain hose set		1	1					W650735G18		
112	R63 7E4 136	G	Washer	Insulated	4	4					W909697G01		
113	R61 006 136	G	Washer		4	4					W909695H01		

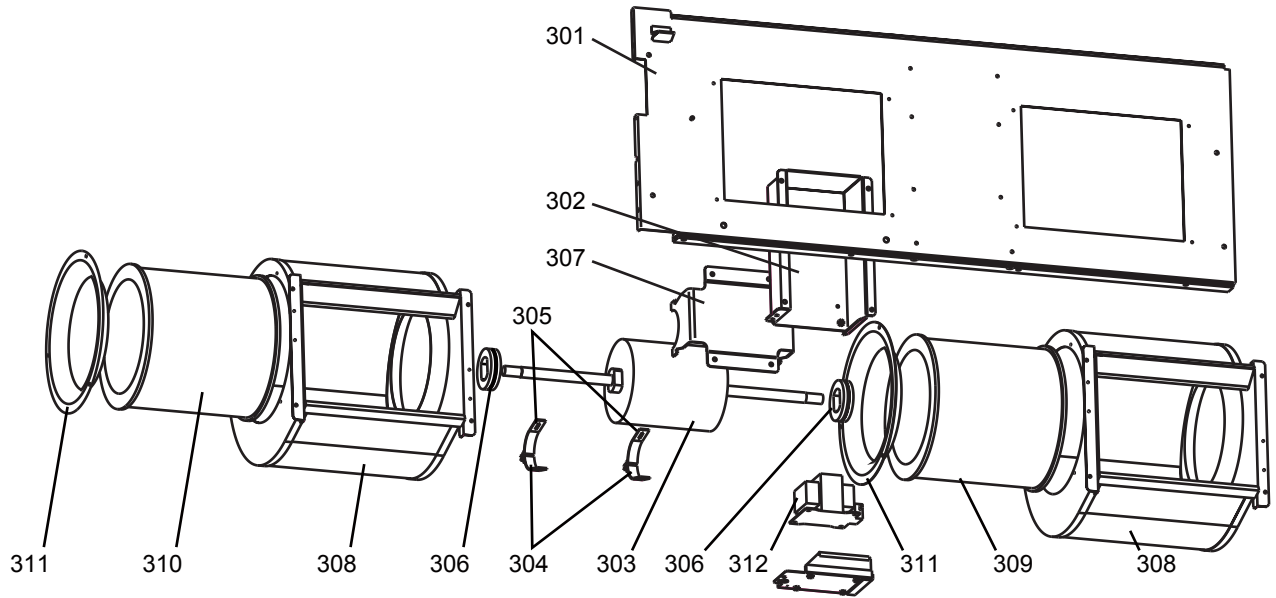
PEFY-P200VMHS-E



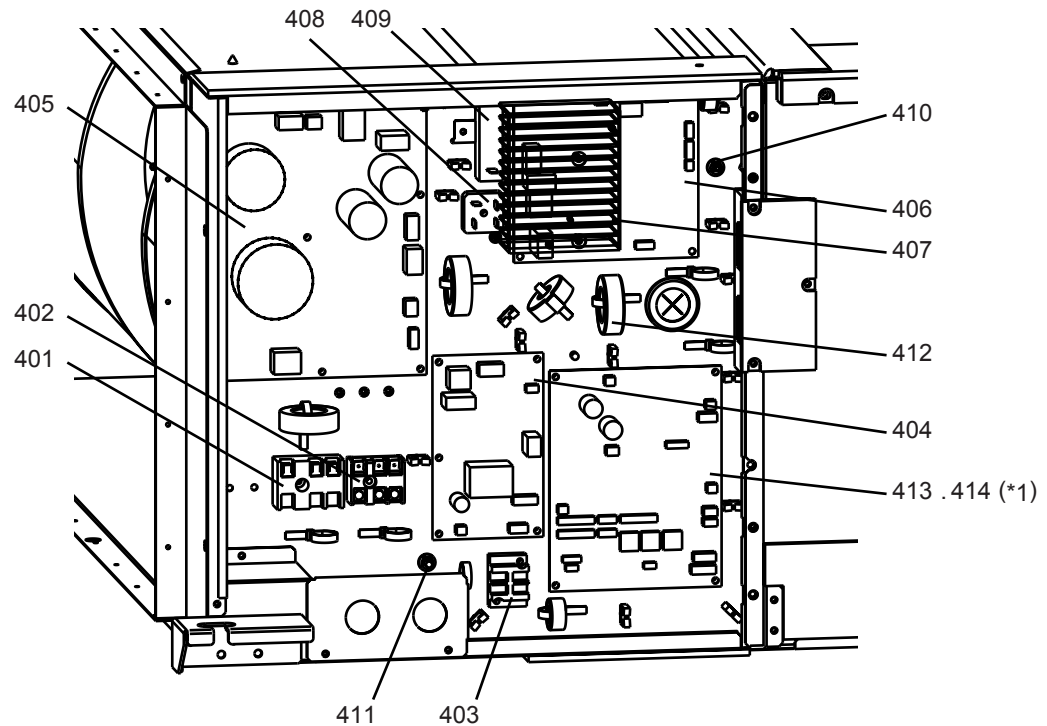
PEFY-P250VMHS-E



No.	Part No.	G : RoHS Apply Only W: RoHS Apply by Running Change		Spec.	PEFY-P200VMHS-E	PEFY-P250VMHS-E					Dwg. No.	Notes for the models	Revision info.
			Part Name										
201	R61 618 480	G	Heat exchanger		1						KB00J886G11		Chg.
202	R61 619 480	G	Heat exchanger			1					KB00J887G11		Chg.
203	R61 034 401	G	Linear expansion valve 1	EFM80 6pin	1	1					P632501X01		
204	R61 035 401	G	Linear expansion valve 2	EFM80 7pin	1	1					P632502X01		
205	R61 123 200	G	Thermistor		1	1					P418090X01		
206	R63 A42 454	G	Strainer		1	1					W882823G01		
207	R61 010 454	G	Strainer		1	1					W882828G02		



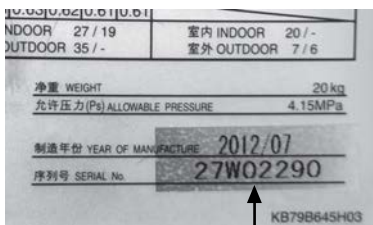
No.	Part No.	G : RoHS Apply Only W : RoHS Apply by Running Change		Spec.	PEFY-P200VMHS-E	PEFY-P250VMHS-E					Dwg. No.	Notes for the models	Revision info.
			Part Name										
301	R61 015 140	G	Fan plate		1	1					KD00L089G02		
302	R61 032 128	G	Motor stand		1	1					KD00L091G01		
303	R61 134 220	G	Motor	ERC8801BB DC 0.87kW	1	1					P780206X02	<MF>	
304	R61 002 136	G	Fixing plate		2	2					R302K338H02		
305	R61 001 136	G	Fixing plate	with the nut	2	2					R302K338G82		
306	R63 Y01 104	G	Rubber bush		2	2					W860050H02		
307	R61 015 130	G	Leg		1	1					KP00K219G01		Chg.
308	R61 001 110	G	Fan casing		2	2					W264318G02		
309	R63 311 114	G	Sirocco fan assy		1	1					R300C723G85		
310	R63 311 115	G	Sirocco fan assy		1	1					R300C723G86		
311	R63 249 119	G	Bell mouth		2	2					R302F474H03		
312	R61 024 259	G	Reactor		1	1					P715470X01		



- \*1 For the products whose serial number is 24W\*\*\*\*\* or later, be sure to use No. 413 or No. 414.  
No. 413 cannot be used with the indoor units with a production number of 2ZW\*\*\*\*\* or later. Use parts No. 414 instead.  
Both parts No. 413 and No. 414 can be used with the units with a production number of 13W\*\*\*\*\* or earlier.  
If the production number of the indoor unit is not available, procure parts No. 414.

	~13W*****	24W*****~	2ZW*****~
No.413	USE	USE	NOT USE
No.414	USE	USE	USE

**Serial No. of Air Conditioning & Refrigeration Systems Works.**



Serial No.

2 7 W 0 2 2 9 0

↑ ↑ ↑ ↑  
Serial number

Air Conditioning & Refrigeration Systems Works (Wakayama) identification. W stands for W of WAKAYAMA.

↑ ↑ ↑ ↑  
Production month

Production **season** of Air Conditioning & Refrigeration Systems Works **April to March**  
In this case, July / 2012

Production month / season

- 2 4 April / 2012
- 2 5 May / 2012
- 2 6 June / 2012
- 2 7 July / 2012
- 2 8 August / 2012
- 2 9 September / 2012
- 2 X October / 2012
- 2 Y November / 2012
- 2 Z December / 2012
- 2 1 January / 2013
- 2 2 February / 2013
- 2 3 March / 2013
- 3 4 April / 2013
- 3 5 May / 2013



No.	Part No.	G : RoHS Apply Only W : RoHS Apply by Running Change		Spec.	PEFY-P200VMHS-E	PEFY-P250VMHS-E					Dwg. No.	Notes for the models	Revision info.
			Part Name										
401	R63 979 247	G	Terminal block		1	1					P436238X01		
402	R63 A64 246	G	Terminal block		1	1					P436129X01		
403	R63 4G8 246	G	Terminal block		1	1					W872787G01		
404	R63 138 280	G	Board assy	POW	1	1					KE80C403G02	<P.B.>	
405	R61 164 280	G	Board assy	NF	1	1					KE80C403G03	<NF.B.>	
406	R63 140 280	G	Board assy	INV	1	1					W652171G10	<INV.B.>	
407	R61 002 479	G	Heat sink		1	1					P419177X02		
408	R61 002 320	G	Diode bridge		1	1					S414003H64		
409	R63 670 234	G	Resistor		1	1					P411113X01		
410	R63 257 200	G	Thermistor		1	1					P414098X01		
411	R61 169 200	G	Thermistor		1	1					RG71J628H03		
412	R61 011 155	G	Lead wire assy		1	1					KB78T863G02		
413	R61 182 280	G	Board assy	Cont	1	1					KE80C349G13	<I.B.> *1	
414	R61 233 280	G	Board assy	Cont	1	1					KE80C349G16	<I.B.> *1	Add

**mitsubishi electric corporation**  
HEAD OFFICE: TOKYO BLDG., 2-7-3, MARUNOUCHI, CHIYODA-KU, TOKYO 100-8310, JAPAN

---

BWE1104B (20121231)