

SERVICE PARTS LIST FOR MITSUBISHI ELECTRIC PACKAGED AIR-CONDITIONERS

Series : PEFY-P•VMH-E

REVISED

Nov. 2012

BWE0407E

INDEX

**PEFY-P40VMH-E
PEFY-P50VMH-E
PEFY-P63VMH-E
PEFY-P71VMH-E
PEFY-P80VMH-E
PEFY-P100VMH-E
PEFY-P125VMH-E
PEFY-P140VMH-E
PEFY-P200VMH-E
PEFY-P250VMH-E**

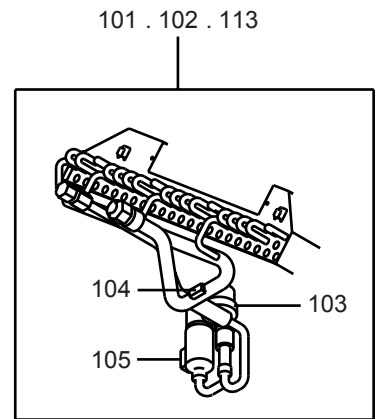
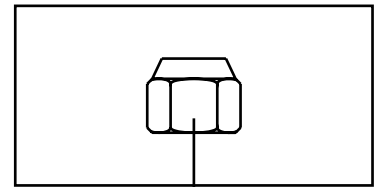
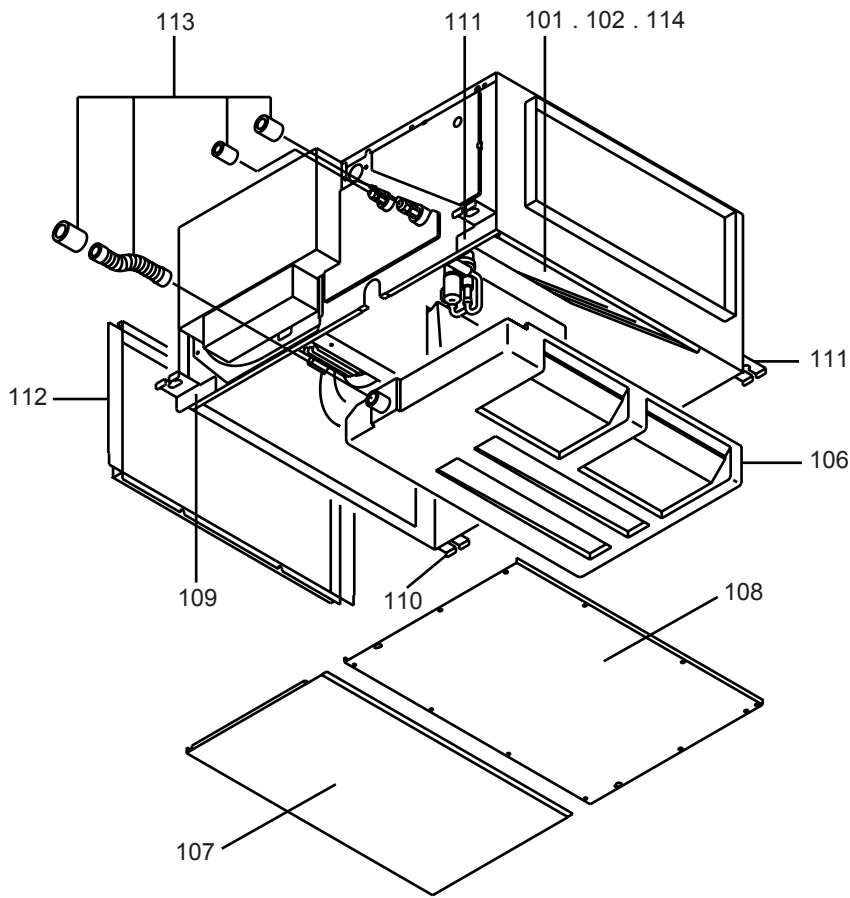
Part information update day : **2012/11/20**

Please change the old catalog (issued Sept. 2010, No.BWE0407D) to this new catalog.
Content of revision : Some of parts are changed.

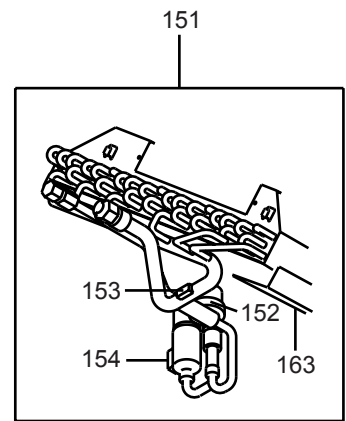
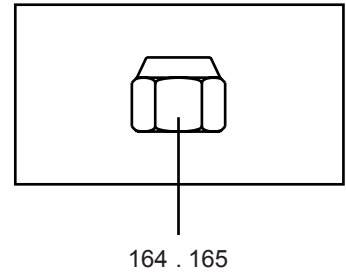
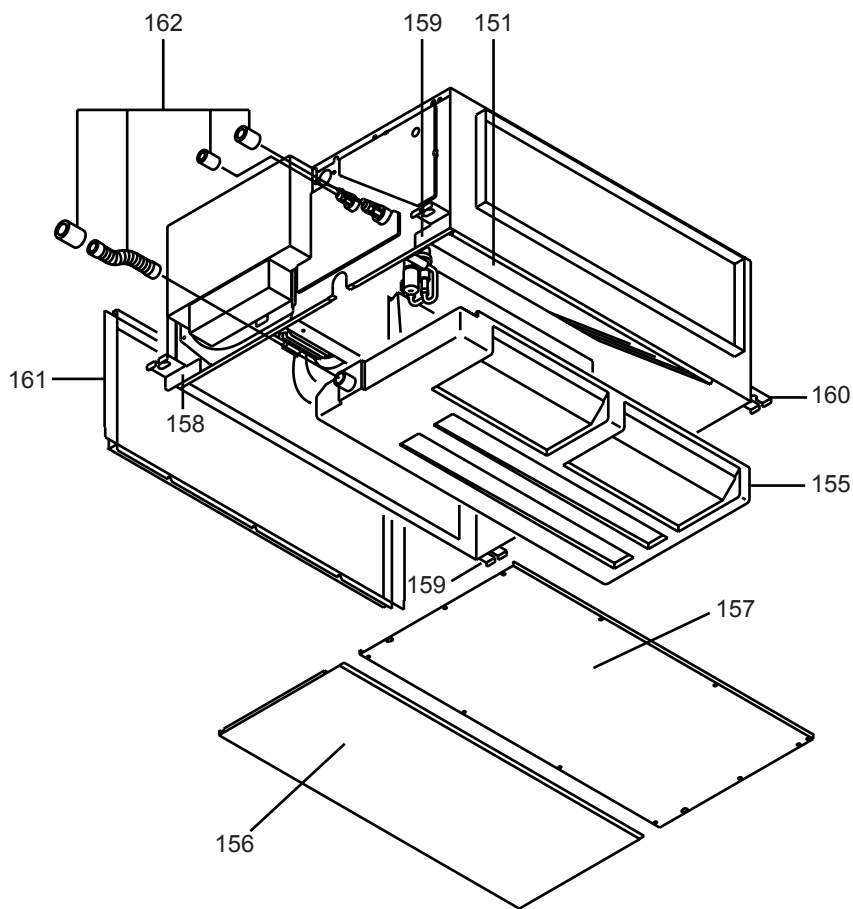


PEFY-P40VMH-E
PEFY-P50VMH-E
PEFY-P63VMH-E

EXTERNAL PARTS (1)



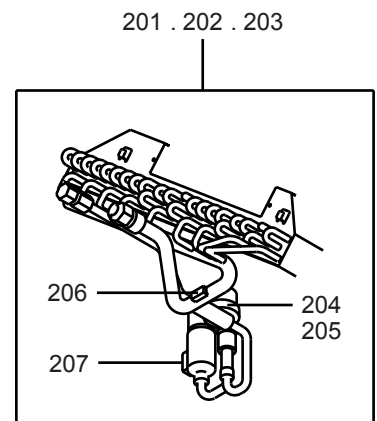
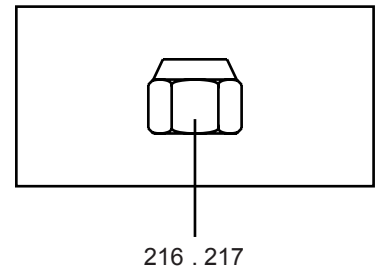
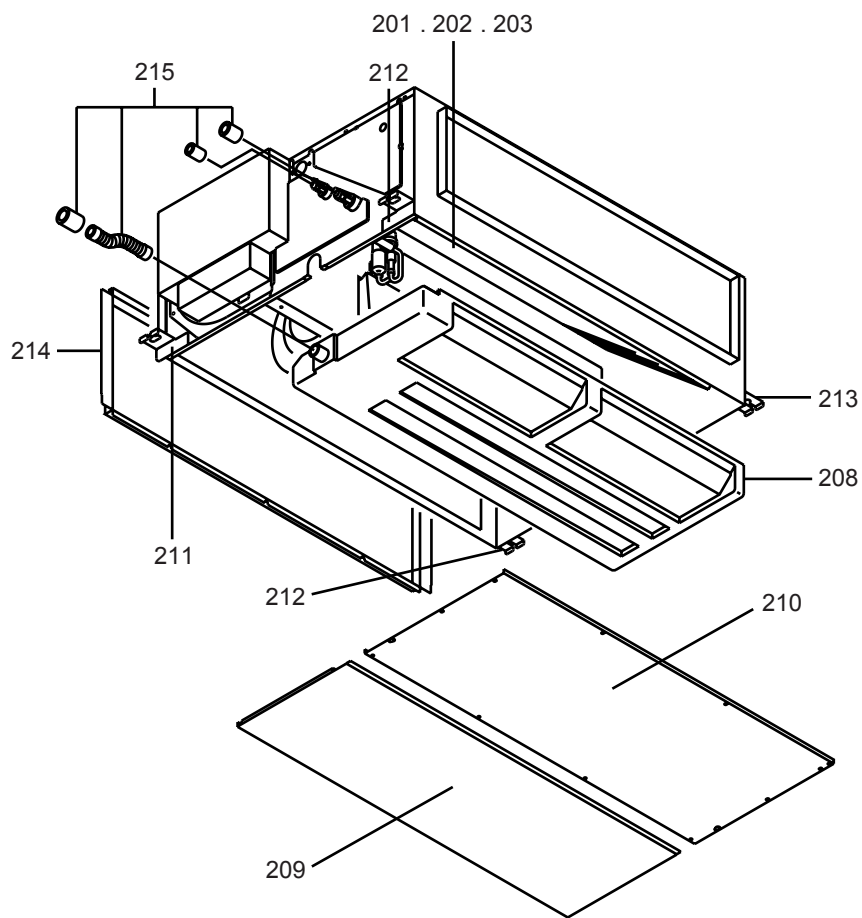
No.	Part No.	G : RoHS Apply Only W : RoHS Apply by Running Change		Spec.	PEFY-P40VMH-E	PEFY-P50VMH-E	PEFY-P63VMH-E				Dwg. No.	Notes for the models	Revision info.
		Part Name											
101	R63 538 480	G		Heat exchanger	1						W275136GM6		Chg.
102	R61 298 480	G		Heat exchanger		1					W275136GM9		Chg.
103	R63 538 401	G		Linear expansion valve	EDM4 XH	1	1	1			P632407X02		
104	R63 358 203	G		Thermistor		1	1	1			P425458X02	<gas>	
105	R63 358 202	G		Thermistor		1	1	1			KB78U230G01	<liquid>	
106	R61 083 529	G		Drain pan		1	1	1			W122290G71		Chg.
107	R63 F85 661	G		Bottom plate assy		1	1	1			W627491G04		
108	R61 023 661	G		Bottom plate A		1	1	1			W628696G14		
109	R63 F85 326	G		Hanging metal fittings D		1	1	1			W398771H03		
110	R63 F86 326	G		Hanging metal fittings D		2	2	2			W398771H04		
111	R61 016 326	G		Hanging metal fittings D		1	1	1			W871827G02		
112	R63 F85 457	G		Flange		1	1	1			W627459G04		
113	R63 538 526	G		Drain hose set		1	1	1			W650735G17		Chg.
114	R63 Y79 481	G		Heat exchanger				1			W275136GN0		Chg.
115	R61 006 122	G		Flare nut	$\varnothing 12.7(1/2)$	1	1				KB21S918H01	<gas>	
116	R63 8G1 122	G		Flare nut	$\varnothing 15.88(5/8)$			1			KB21S919H01	<gas>	
117	R61 008 122	G		Flare nut	$\varnothing 6.35(1/4)$	1	1				KB21S916H01	<liquid>	
118	R63 8G0 122	G		Flare nut	$\varnothing 9.52(3/8)$			1			KB21S917H01	<liquid>	



No.	Part No.	G : RoHS Apply Only W : RoHS Apply by Running Change	Part Name	Spec.	PEFY-P71VMH-E	PEFY-P80VMH-E								Dwg. No.	Notes for the models	Revision info.
152	R63 R22 401	G	Linear expansion valve	EDM8 XH	1	1								P632410X02		
153	R63 358 203	G	Thermistor		1	1								P425458X02	<gas>	
154	R63 358 202	G	Thermistor		1	1								KB78U230G01	<liquid>	
155	R61 082 529	G	Drain pan		1	1								W122290G72		Chg.
156	R63 F88 661	G	Bottom plate		1	1								W627491G05		
157	R61 022 661	G	Bottom plate A		1	1								W628696G15		
158	R63 F85 326	G	Hanging metal fittings D		1	1								W398771H03		
159	R63 F86 326	G	Hanging metal fittings D		2	2								W398771H04		
160	R61 016 326	G	Hanging metal fittings D		1	1								W871827G02		
161	R63 F88 457	G	Flange		1	1								W627459G05		
162	R63 S38 526	G	Drain hose set		1	1								W650735G17		Chg.
163	R61 025 667	G	Partition board		1	1								W868141G03		
164	R63 8G1 122	G	Flare nut	$\varnothing 15.88(5/8)$	1	1								KB21S919H01	<gas>	
165	R63 8G0 122	G	Flare nut	$\varnothing 9.52(3/8)$	1	1								KB21S917H01	<liquid>	

PEFY-P100VMH-E
PEFY-P125VMH-E
PEFY-P140VMH-E

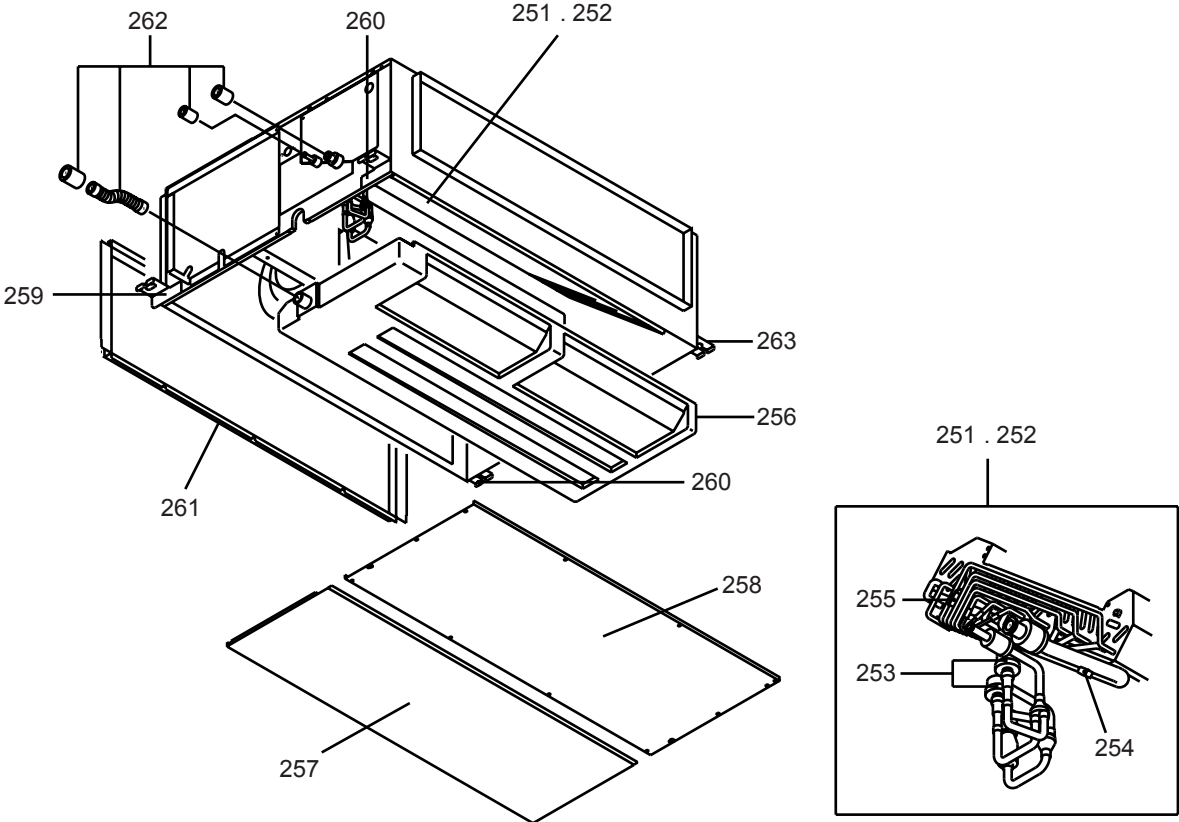
EXTERNAL PARTS (3)



PEFY-P100VMH-E
PEFY-P125VMH-E
PEFY-P140VMH-E

EXTERNAL PARTS (3)

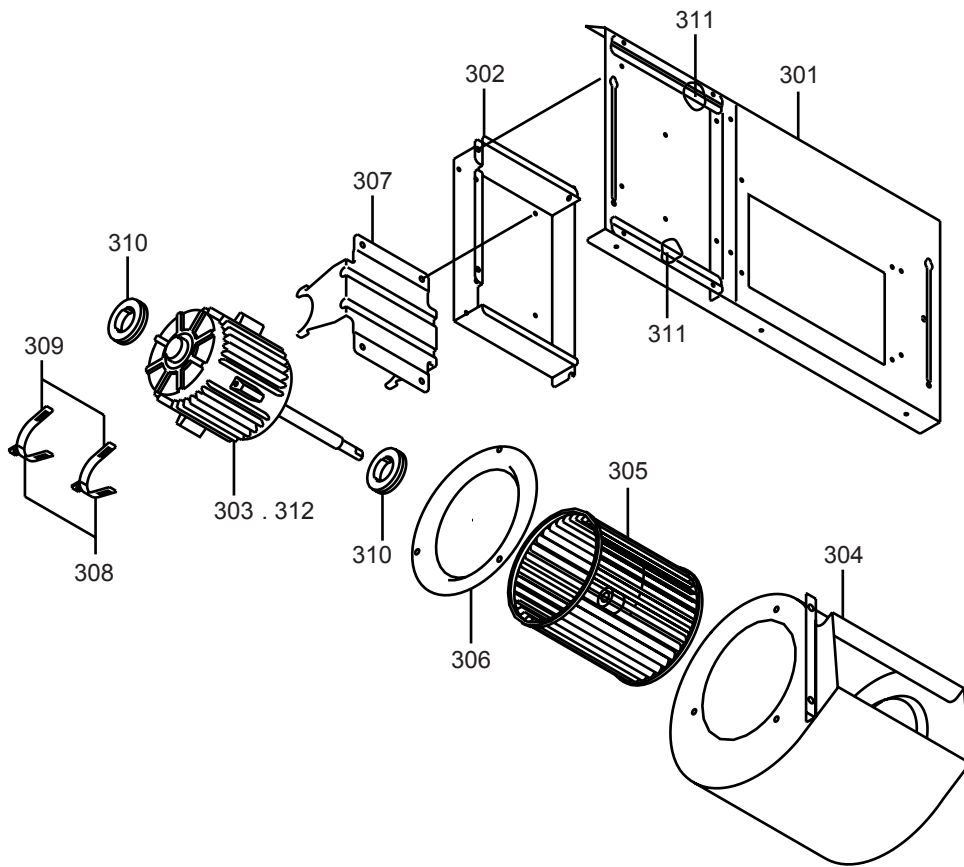
No.	Part No.	G : RoHS Apply Only W : RoHS Apply by Running Change		Spec.	PEFY-P100VMH-E	PEFY-P125VMH-E	PEFY-P140VMH-E				Dwg. No.	Notes for the models	Revision info.
			Part Name										
201	R63 297 480	G	Heat exchanger		1						W275136GN8		Chg.
202	R61 299 480	G	Heat exchanger			1					W275136GN9		Chg.
203	R63 550 480	G	Heat exchanger				1				KB00H969G17		Chg.
204	R63 R22 401	G	Linear expansion valve	EDM8 XH	1	1					P632410X02		
205	R63 R23 401	G	Linear expansion valve	EDMA XH			1				P632413X02		
206	R63 358 203	G	Thermistor		1	1	1				P425458X02	<gas>	
207	R63 358 202	G	Thermistor		1	1	1				KB78U230G01	<liquid>	
208	R61 081 529	G	Drain pan		1	1	1				W122290G73		Chg.
209	R63 014 661	G	Bottom plate		1	1	1				W627491G10		
210	R63 015 661	G	Bottom plate A		1	1	1				W628696G13		
211	R63 F85 326	G	Hanging metal fittings D		1	1	1				W398771H03		
212	R63 F86 326	G	Hanging metal fittings D		2	2	2				W398771H04		
213	R61 016 326	G	Hanging metal fittings D		1	1	1				W871827G02		
214	R63 F90 457	G	Flange		1	1	1				W627459G06		
215	R63 S38 526	G	Drain hose set		1	1	1				W650735G17		Chg.
216	R63 8G1 122	G	Flare nut	φ 15.88(5/8)	1	1	1				KB21S919H01	<gas>	
217	R63 8G0 122	G	Flare nut	φ 9.52(3/8)	1	1	1				KB21S917H01	<liquid>	



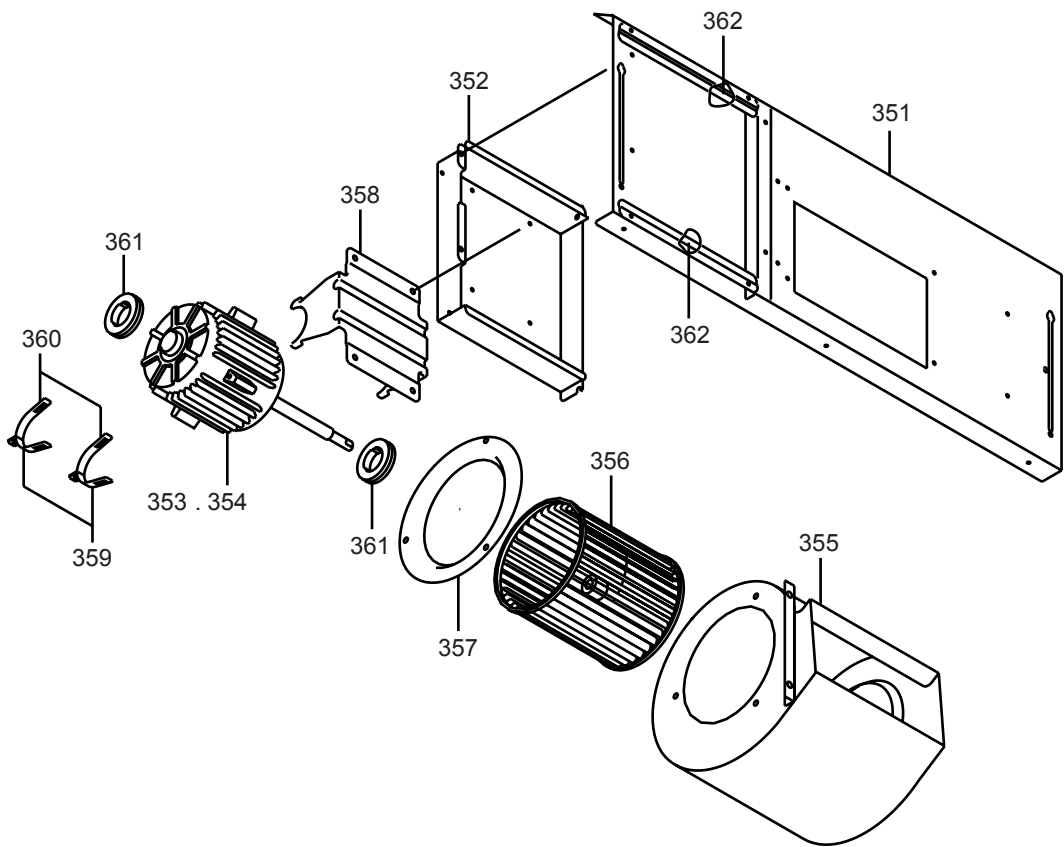
No.	Part No.	G : RoHS Apply Only W : RoHS Apply by Running Change	Part Name	Spec.	PEFY-P200VMH-E	PEFY-P250VMH-E					Dwg. No.	Notes for the models	Revision info.
251	R63 S45 480	G	Heat exchanger assy	P224	1						KD00D608G01		Chg.
252	R61 300 480	G	Heat exchanger assy	P280		1					W268110G43		
253	R63 R22 401	G	Linear expansion valve	EDM8 XH	2	2					P632410X02	<LEV>	
254	R63 358 203	G	Thermistor		1	1					P425458X02	<gas>	
255	R63 358 202	G	Thermistor		1	1					KB78U230G01	<liquid>	
256	R61 080 529	G	Drain pan	224	1	1					W125114G31		Chg.
257	R63 H42 661	G	Bottom plate assy	224	1	1					W627491G07		
258	R61 021 661	G	Bottom plate A assy	224	1	1					W628696G16		
259	R63 F85 326	G	Hanging metal fittings D		1	1					W398771H03		
260	R63 F86 326	G	Hanging metal fittings D		2	2					W398771H04		
261	R63 H42 457	G	Flange assy		1	1					W630285G01		
262	R63 P53 525	G	Drain hose set		1	1					W650735G18		Chg.
263	R61 016 326	G	Hanging metal fittings		1	1					W871827G02		

PEFY-P40VMH-E
PEFY-P50VMH-E
PEFY-P63VMH-E

BLOWER PARTS (1)



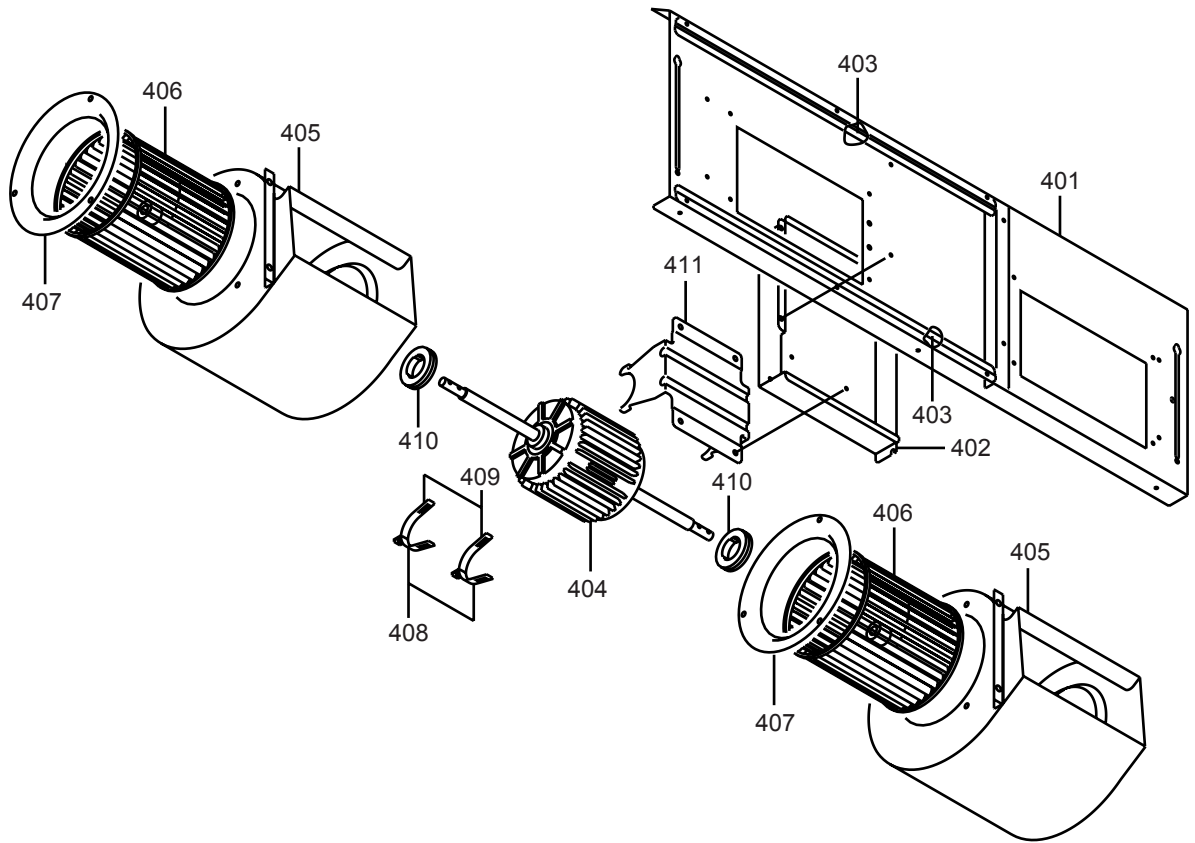
No.	Part No.	G : RoHS Apply Only W : RoHS Apply by Running Change		Spec.	PEFY-P40VMH-E	PEFY-P50VMH-E	PEFY-P63VMH-E				Dwg. No.	Notes for the models	Revision info.
			Part Name										
301	R61 008 140	G	Fan stand		1	1	1				W263051H04		
302	R63 Y01 133	G	Motor stand		1	1	1				W881379G01		
303	R63 Y24 221	G	Motor	180W,1Phase,220V,AP P63H			1				P714693X02		
304	R61 007 109	G	Fan casing		1	1	1				W122291G05		Chg.
305	R63 F85 114	G	Sirocco fan		1	1	1				W122292G03		
306	R63 F85 119	G	Bell mouth		1	1	1				W866104H01		
307	R63 772 130	G	Leg		1	1	1				R302G131H07		
308	R63 507 131	G	Fixing plate		2	2	2				R302F328H09		
309	R63 507 132	G	Fixing plate	with the nut	2	2	2				R302F328G84		
310	R63 755 104	G	Rubber bush		2	2	2				R331F676H01		
311	R63 F85 573	G	Guide	71	2	2	2				W866123H01		
312	R63 Y27 221	G	Motor	130W,1Phase,220V,AP P40H	1	1					P714692X02		



No.	Part No.	G : RoHS Apply Only W : RoHS Apply by Running Change		Spec.	PEFY-P71VMH-E	PEFY-P80VMH-E				Dwg. No.	Notes for the models	Revision info.
			Part Name									
351	R61 009 140	G	Fan stand		1	1				W263052H05		
352	R63 Y02 133	G	Motor stand		1	1				W881380G01		
353	R63 Y25 221	G	Motor	220W,1Phase,220V,4P P71H	1					P714694X02		
354	R63 Y26 221	G	Motor	230W,1Phase,220V,4P P80H		1				P714695X02		
355	R61 007 109	G	Fan casing		1	1				W122291G05		Chg.
356	R63 F85 114	G	Sirocco fan		1	1				W122292G03		
357	R63 F85 119	G	Bell mouth		1	1				W866104H01		
358	R63 772 130	G	Leg		1	1				R302G131H07		
359	R63 507 131	G	Fixing plate		2	2				R302F328H09		
360	R63 507 132	G	Fixing plate	with the nut	2	2				R302F328G84		
361	R63 755 104	G	Rubber bush		2	2				R331F676H01		
362	R63 F88 573	G	Guide	P40H 80	2	2				W866123H02		

PEFY-P100VMH-E
PEFY-P125VMH-E
PEFY-P140VMH-E

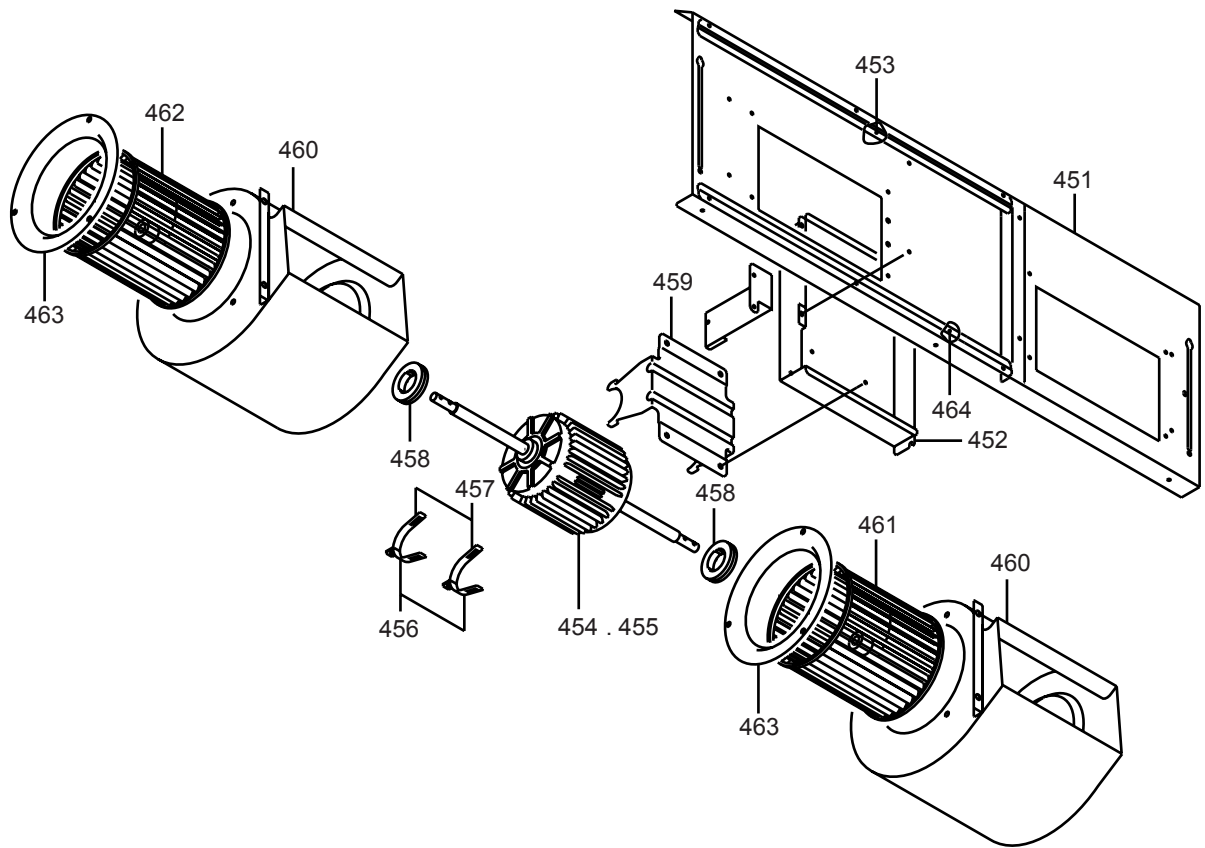
BLOWER PARTS (3)

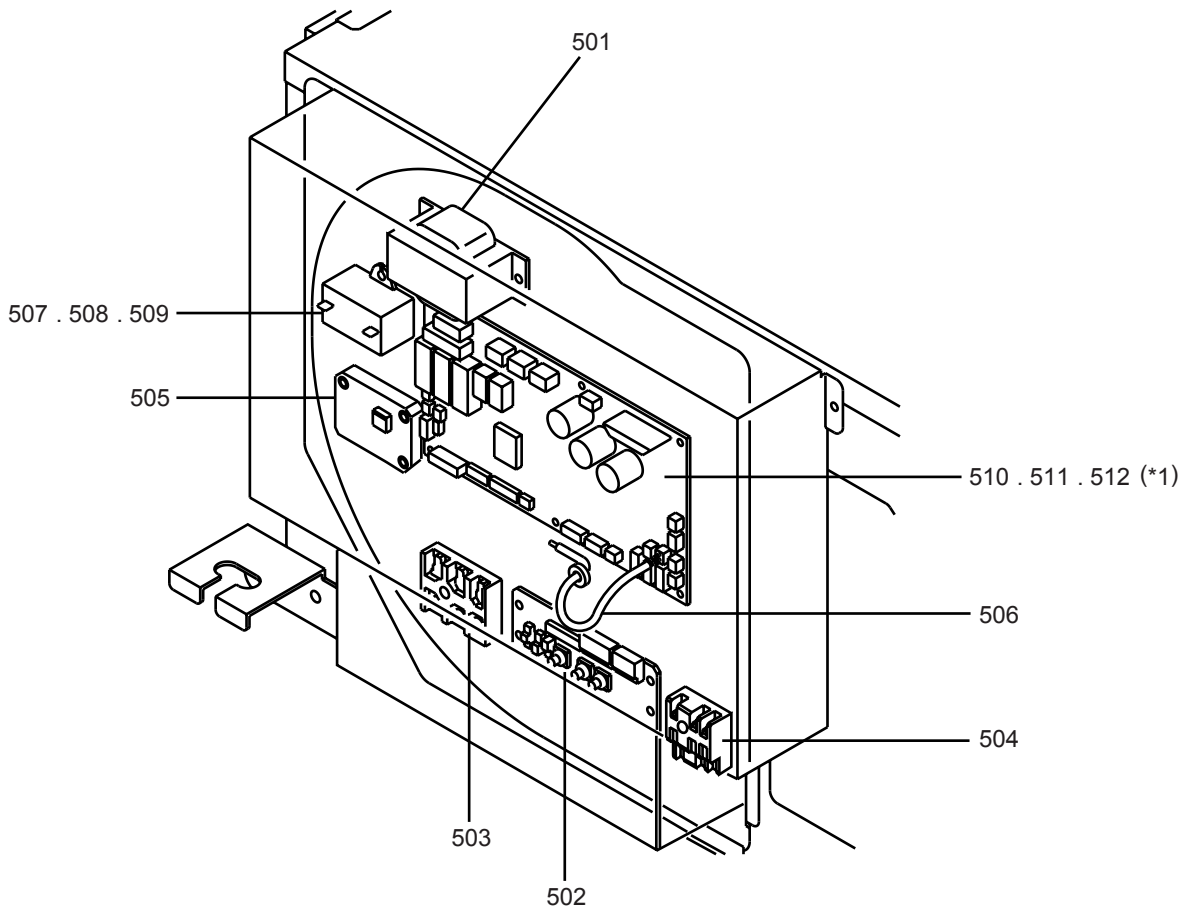


PEFY-P100VMH-E
PEFY-P125VMH-E
PEFY-P140VMH-E

BLOWER PARTS (3)

No.	Part No.	G : RoHS Apply Only W : RoHS Apply by Running Change		Spec.	PEFY-P100VMH-E	PEFY-P125VMH-E	PEFY-P140VMH-E				Dwg. No.	Notes for the models	Revision info.
		Part Name											
401	R61 010 140	G	Fan stand		1	1	1				W263037H05		
402	R63 Y02 133	G	Motor stand		1	1	1				W881380G01		
403	R63 F90 573	G	Guide		2	2	2				W866123H03		
404	R63 Y28 221	G	Motor	400W,1Phase,220V,4P P100H	1	1	1				P714696X02		
405	R61 007 109	G	Fan casing		2	2	2				W122291G05		Chg.
406	R63 F85 114	G	Sirocco fan		2	2	2				W122292G03		
407	R63 F85 119	G	Bell mouth		2	2	2				W866104H01		
408	R61 002 136	G	Fixing plate		2	2	2				R302K338H02		
409	R61 001 136	G	Fixing plate	with the nut	2	2	2				R302K338G82		
410	R63 Y01 104	G	Rubber bush		2	2	2				W860050H02		
411	R61 015 130	G	Leg		1	1	1				KP00K219G01		Chg.





*1 Parts No. 510 cannot be used with the indoor units with a production number of 06W***** or later.

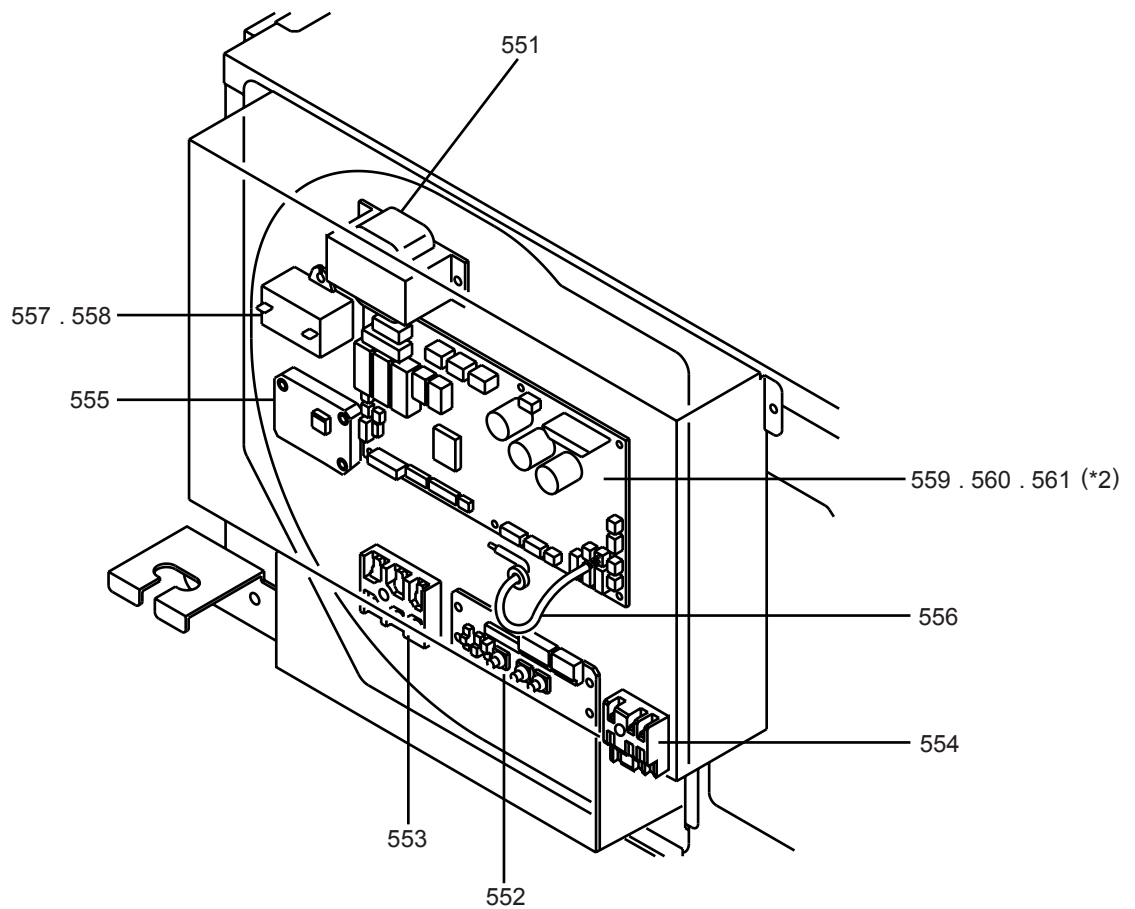
Use parts No. 511 or No. 512 instead.

Both parts No. 510 and No. 511 cannot be used with the indoor units with a production number of 2ZW***** or later.

Use parts No. 512 instead.

Those parts No. 510, No. 511, and No. 512 can be used with the units with a production number of 05W***** or earlier.

If the production number of the indoor unit is not available, procure parts No. 512.



*2 Parts No. 559 cannot be used with the indoor units with a production number of 06W***** or later.

Use parts No. 560 or No. 561 instead.

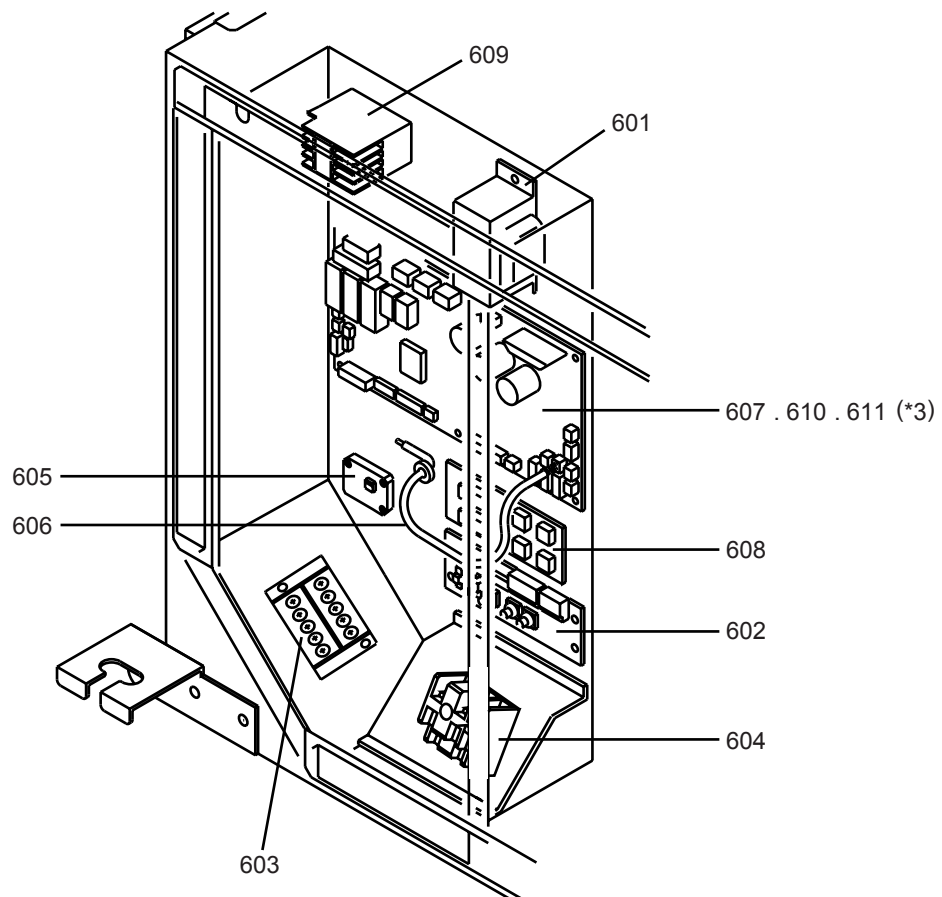
Both parts No. 559 and No. 560 cannot be used with the indoor units with a production number of 2ZW***** or later.

Use parts No. 561 instead.

Those parts No. 559, No. 560, and No. 561 can be used with the units with a production number of 05W***** or earlier.

If the production number of the indoor unit is not available, procure parts No. 561.

No.	Part No.	G : RoHS Apply Only W : RoHS Apply by Running Change		Spec.	PEFY-P80VMH-E	PEFY-P100VMH-E	PEFY-P125VMH-E	PEFY-P140VMH-E		Dwg. No.	Notes for the models	Revision info.
		Part Name										
551	R63 007 260	G	Transformer	240/23.5V-0.9A VH	1	1	1	1		P715414X01		
552	R63 Y37 281	G	Board assy AD		1	1	1	1		W849036G09		
553	R63 Y08 715	G	Terminal block		1	1	1	1		P436239X01	<TB2>	
554	R63 336 246	G	Terminal block		1	1	1	1		P436114X03	<TB5,TB15>	
555	R63 Y22 280	G	Board assy	FP-DSA	1	1	1	1		W849072G13		
556	R63 373 202	G	Thermistor		1	1	1	1		P418059X01	<inlet>	
557	R63 F79 252	G	Capacitor	5 μ F	1					P412214X01		
558	R63 Y16 252	G	Capacitor	7 μ F		1	1	1		P412217X01		
559	R63 Y36 281	G	Board assy RY		1	1	1	1		W849072G06	*2	
560	R61 148 280	G	Board assy RY		1	1	1	1		KE00D204G27	*2	
561	R61 232 280	G	Board assy RY		1	1	1	1		KE00C778G01	*2	Add.



*3 Parts No. 607 cannot be used with the indoor units with a production number of 06W***** or later.

Use parts No. 610 or No. 611 instead.

Both parts No. 607 and No. 610 cannot be used with the indoor units with a production number of 2ZW***** or later.

Use parts No. 611 instead.

Those parts No. 607, No. 610, and No. 611 can be used with the units with a production number of 05W***** or earlier.

If the production number of the indoor unit is not available, procure parts No. 611.

No.	Part No.	G : RoHS Apply Only W: RoHS Apply by Running Change		Spec.	PEFY-P200VMH-E	PEFY-P250VMH-E					Dwg. No.	Notes for the models	Revision info.
			Part Name										
601	R63 007 260	G	Transformer	240/23.5V-0.9A VH	1	1					P715414X01		
602	R63 Y37 281	G	Board assy AD		1	1					W849036G09		
603	R63 Y05 246	G	Terminal block	LVD	1	1					P436151X01		
604	R63 336 246	G	Terminal block	LVD	1	1					P436114X03		
605	R63 Y22 280	G	Board assy	FP-DSA	1	1					W849072G13		
606	R63 373 202	G	Thermistor		1	1					P418059X01	<inlet>	
607	R63 Y36 281	G	Board assy RY		1	1					W849072G06	*3	
608	R63 350 280	G	LEV adaptor board assy		1	1					W601714G02		
609	R63 Y33 225	G	Solenoid switch	MSO-N11AR	1	1					S427025H13		
610	R61 148 280	G	Board assy RY		1	1					KE00D204G27	*3	
611	R61 232 280	G	Board assy RY		1	1					KE00C778G01	*3	Add.

mitsubishi electric corporation
HEAD OFFICE: TOKYO BLDG., 2-7-3, MARUNOUCHI, CHIYODA-KU, TOKYO 100-8310, JAPAN

BWE0407E (20121130)