

SERVICE PARTS LIST FOR MITSUBISHI ELECTRIC PACKAGED AIR-CONDITIONERS

**Series : PEFY-P•VMH-A-F
PEFY-P•VMH-E-F**

REVISED

Sept. 2013

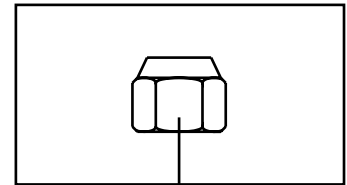
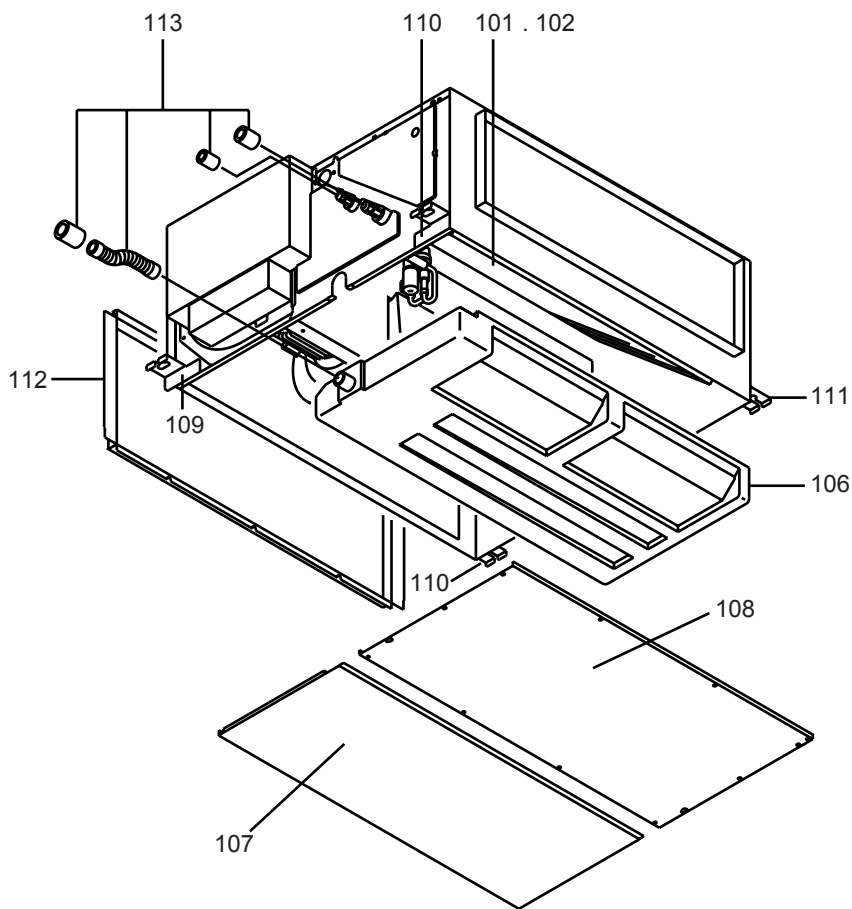
BWE0420E

INDEX
PEFY-P80VMH-A-F
PEFY-P140VMH-A-F
PEFY-P80VMH-E-F
PEFY-P140VMH-E-F

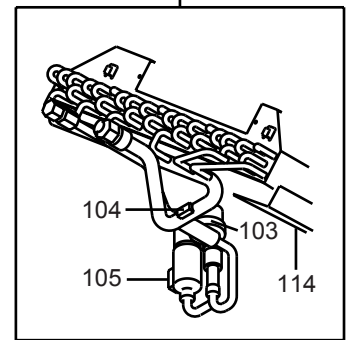
Part information update day : **2013/09/03**

Please change the old catalog (issued Dec. 2012, No.BWE0420D) to this new catalog.
Content of revision : Some of parts are changed.



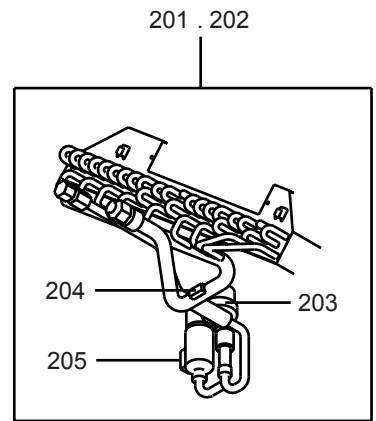
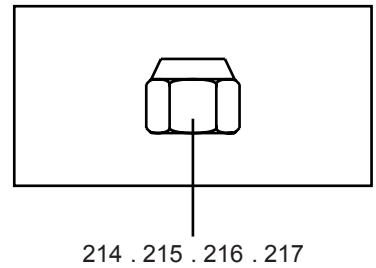
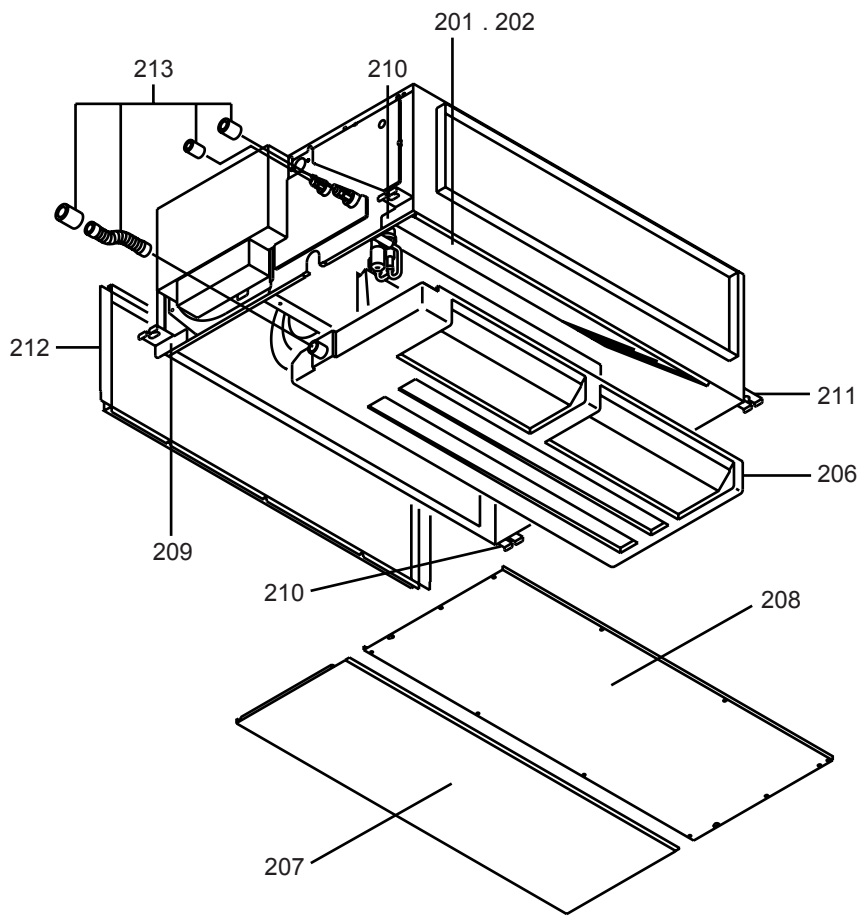


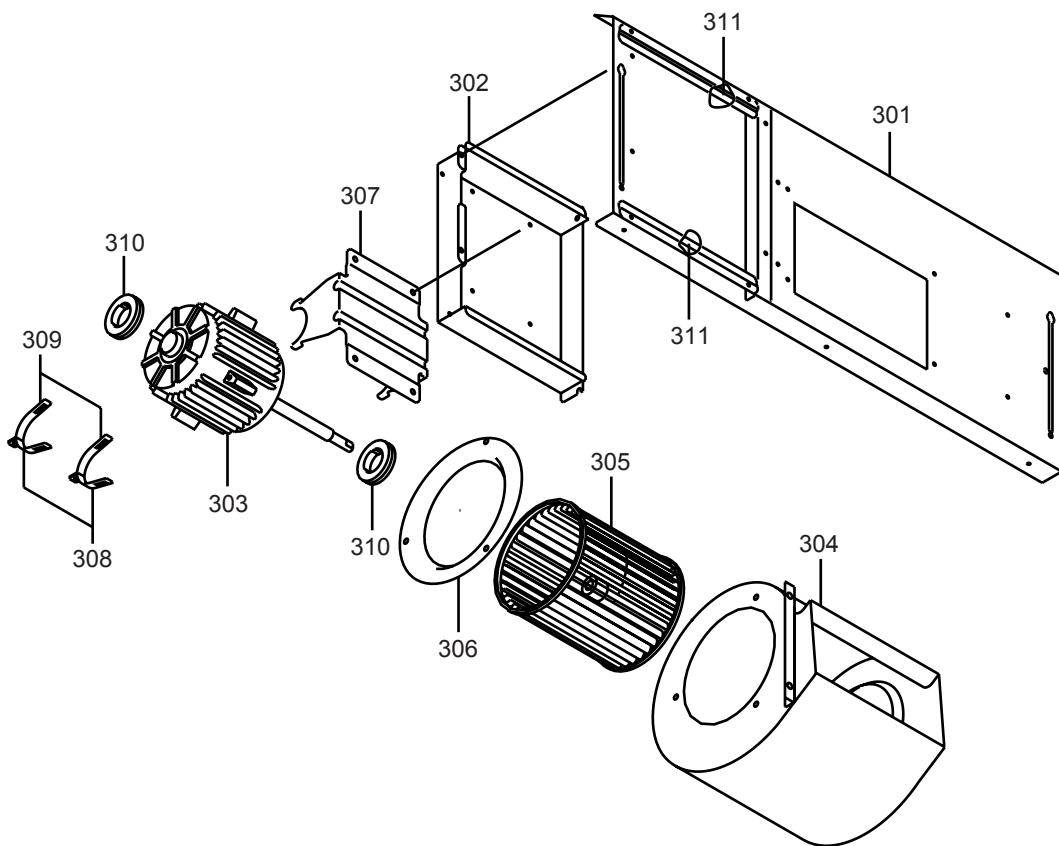
115 . 116 . 117 . 118



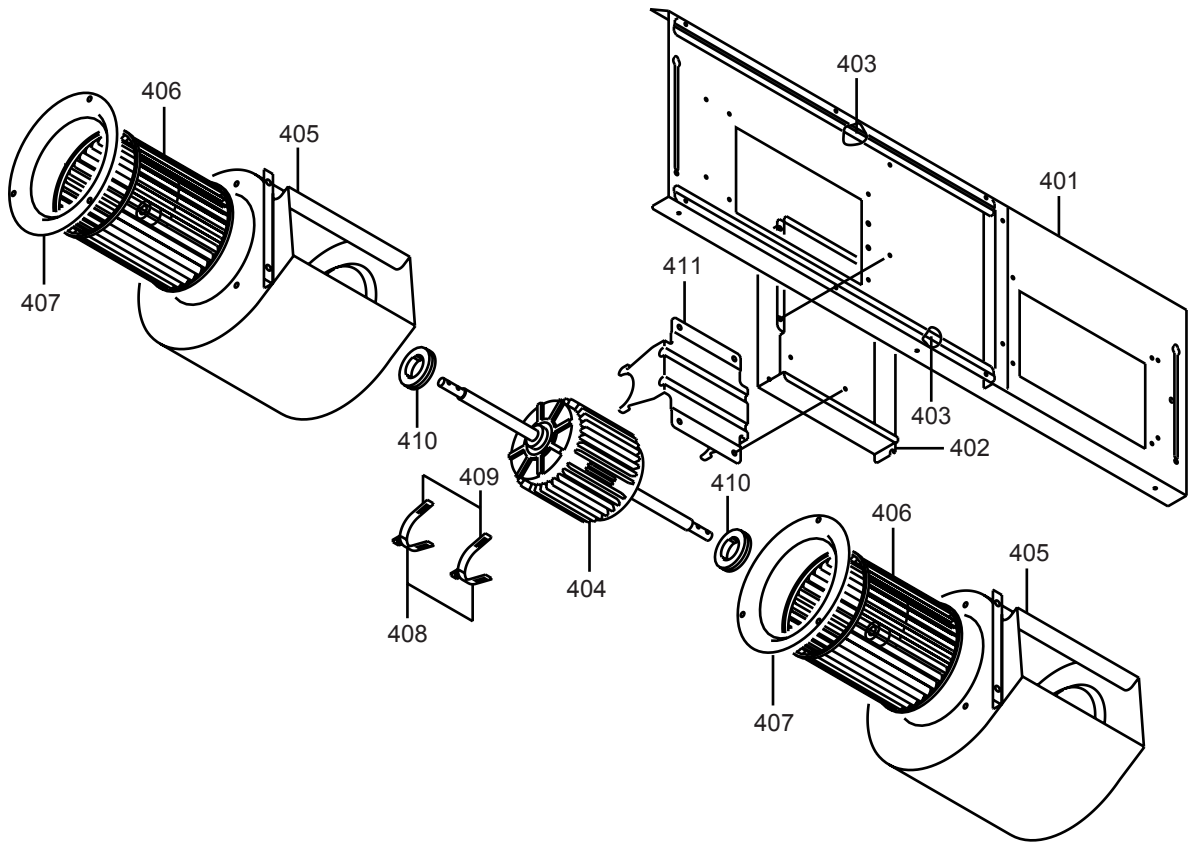
101 . 102

No.	Part No.	G : RoHS Apply Only W : RoHS Apply by Running Change		Spec.	PEFY-P80VMH-A-F	PEFY-P80VMH-E-F				Dwg. No.	Notes for the models	Revision info.
			Part Name									
101	R61 6F5 480		Heat exchanger		1					W275192G29		
102	R63 548 480	G	Heat exchanger			1				W275136GT8		Chg.
103	R63 014 401	G	Linear expansion valve	EFM-80YGMD-5	1	1				P632464X01		Chg.
104	R63 358 203	G	Thermistor		1	1				P425458X02	<gas>	
105	R63 358 202	G	Thermistor		1	1				KB78U230G01	<liquid>	
106	R61 082 529	G	Drain pan		1	1				W122290G72		
107	R63 L12 661	G	Bottom plate		1	1				W630273G03		
108	R61 024 661	G	Bottom plate A		1	1				W630272G14		
109	R63 F85 326	G	Hanging metal fittings D		1	1				W398771H03		
110	R63 F86 326	G	Hanging metal fittings D		2	2				W398771H04		
111	R61 016 326	G	Hanging metal fittings D		1	1				W871827G02		
112	R63 K04 427	G	Flange		1	1				W630274G04		
113	R63 S38 526	G	Drain hose set		1	1				W650735G17		
114	R61 025 667	G	Partition board		1	1				W868141G03		
115	R63 S36 134	G	Flare nut		1					W905524H01	<R22,R407C>	Chg.
116	R63 S36 122	G	Flare nut		1					W843440H01	<R22,R407C>	
117	R63 8G1 122	G	Flare nut	φ 15.88(5/8)		1				KB21S919H01	<gas>	
118	R63 8G0 122	G	Flare nut	φ 9.52(3/8)		1				KB21S917H01	<liquid>	

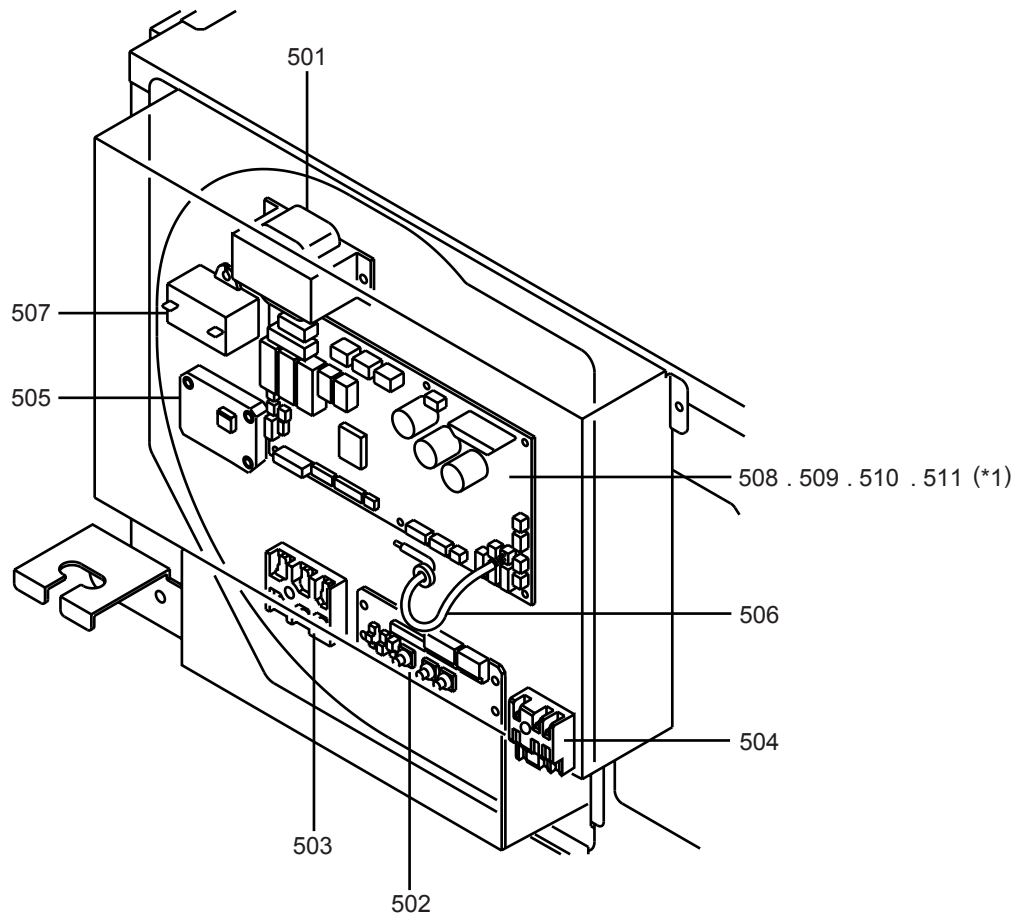




No.	Part No.	G : RoHS Apply Only W : RoHS Apply by Running Change		Spec.	PEFY-P80VMH-A-F	PEFY-P80VMH-E-F					Dwg. No.	Notes for the models	Revision info.
		Part Name											
301	R61 009 140	G	Fan stand	80	1	1					W263052H05		
302	R63 Y02 133	G	Motor stand		1	1					W881380G01		
303	R63 4E8 220	G	Motor	NC-80VMHF	1	1					P714923X01		
304	R61 007 109	G	Fan casing		1	1					W122291G05		
305	R63 F85 114	G	Sirocco fan		1	1					W122292G03		
306	R63 F85 119	G	Bell mouth		1	1					W866104H01		
307	R63 772 130	G	Leg		1	1					R302G131H07		
308	R63 507 131	G	Fixing plate		2	2					R302F328H09		
309	R63 507 132	G	Fixing plate	with the nut	2	2					R302F328G84		
310	R63 755 104	G	Rubber bush		2	2					R331F676H01		
311	R63 F88 573	G	Guide	80	2	2					W866123H02		



No.	Part No.	G : RoHS Apply Only W : RoHS Apply by Running Change		Spec.	PEFY-P140VMH-A-F	PEFY-P140VMH-E-F					Dwg. No.	Notes for the models	Revision info.
			Part Name										
401	R61 010 140	G	Fan stand	112	1	1					W263037H05		
402	R63 Y02 133	G	Motor stand		1	1					W881380G01		
403	R63 F90 573	G	Guide	112	2	2					W866123H03		
404	R63 4E7 220	G	Motor	NS-100VMHF	1	1					P714924X01		
405	R61 007 109	G	Fan casing		2	2					W122291G05		
406	R63 F85 114	G	Sirocco fan		2	2					W122292G03		
407	R63 F85 119	G	Bell mouth		2	2					W866104H01		
408	R61 002 136	G	Fixing plate		2	2					R302K338H02		
409	R61 001 136	G	Fixing plate	with the nut	2	2					R302K338G82		
410	R63 Y01 104	G	Rubber bush		2	2					W860050H02		
411	R61 015 130	G	Leg		1	1					KP00K219G01		



- *1 Parts No. 508 cannot be used with the indoor units with a production number of 06W***** or later.
Use parts No. 510 or No. 511 instead.
- Both parts No. 508 and No. 510 cannot be used with the indoor units with a production number of 22W***** or later.
Use parts No. 511 instead.
- Those parts No. 508, No. 510, and No. 511 can be used with the units with a production number of 05W***** or earlier.
If the production number of the indoor unit is not available, procure parts No. 511.

Serial No. of Air Conditioning & Refrigeration Systems Works.



Serial No.

2 7 W 0 2 2 9 0

↑ ↑ ↑ ↑
Serial number

Air Conditioning & Refrigeration Systems Works (Wakayama) identification. W stands for W of WAKAYAMA.

↑ ↑
Production month

Production **season** of Air Conditioning & Refrigeration Systems Works **April to March**
In this case, July / 2012

Production month / season

- 2 4 April / 2012
- 2 5 May / 2012
- 2 6 June / 2012
- 2 7 July / 2012
- 2 8 August / 2012
- 2 9 September / 2012
- 2 X October / 2012
- 2 Y November / 2012
- 2 Z December / 2012
- 2 1 January / 2013
- 2 2 February / 2013
- 2 3 March / 2013
- 3 4 April / 2013
- 3 5 May / 2013

No.	Part No.	G : RoHS Apply Only W : RoHS Apply by Running Change	Part Name	Spec.	PEFY-P80VMH-A-F	PEFY-P80VMH-E-F	PEFY-P140VMH-A-F	PEFY-P140VMH-E-F		Dwg. No.	Notes for the models	Revision info.
502	R63 Y37 281	G	Board assy	AD	1	1	1	1		W849036G09		
503	R63 Y08 715	G	Terminal block		1	1	1	1		P436239X01	<TB2>	
504	R63 336 246	G	Terminal block		1	1	1	1		P436114X03	<TB5, TB15>	
505	R63 Y22 280	G	Board assy	FP-DSA	1	1	1	1		W849072G13		
506	R63 L12 201	G	Thermistor		1	1	1	1		W877467G03		
507	R63 Y08 252	G	Capacitor	4 μ F	1	1	1	1		P412209X01		
508	R63 Y36 281	G	Board assy	RY		1		1		W849072G06	*1	
509	R61 4E8 280	G	Board assy	RY	1		1			W849070G03		
510	R61 148 280	G	Board assy	RY		1		1		KE00D204G27	*1	
511	R61 232 280	G	Board assy	RY		1		1		KE00C778G01	*1	

mitsubishi **ELECTRIC CORPORATION**
HEAD OFFICE: TOKYO BLDG., 2-7-3, MARUNOUCHI, CHIYODA-KU, TOKYO 100-8310, JAPAN

BWE0420E (20130930)