

# SERVICE PARTS LIST FOR MITSUBISHI ELECTRIC PACKAGED AIR-CONDITIONERS

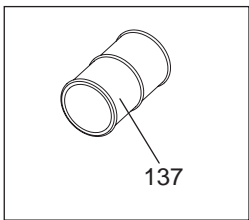
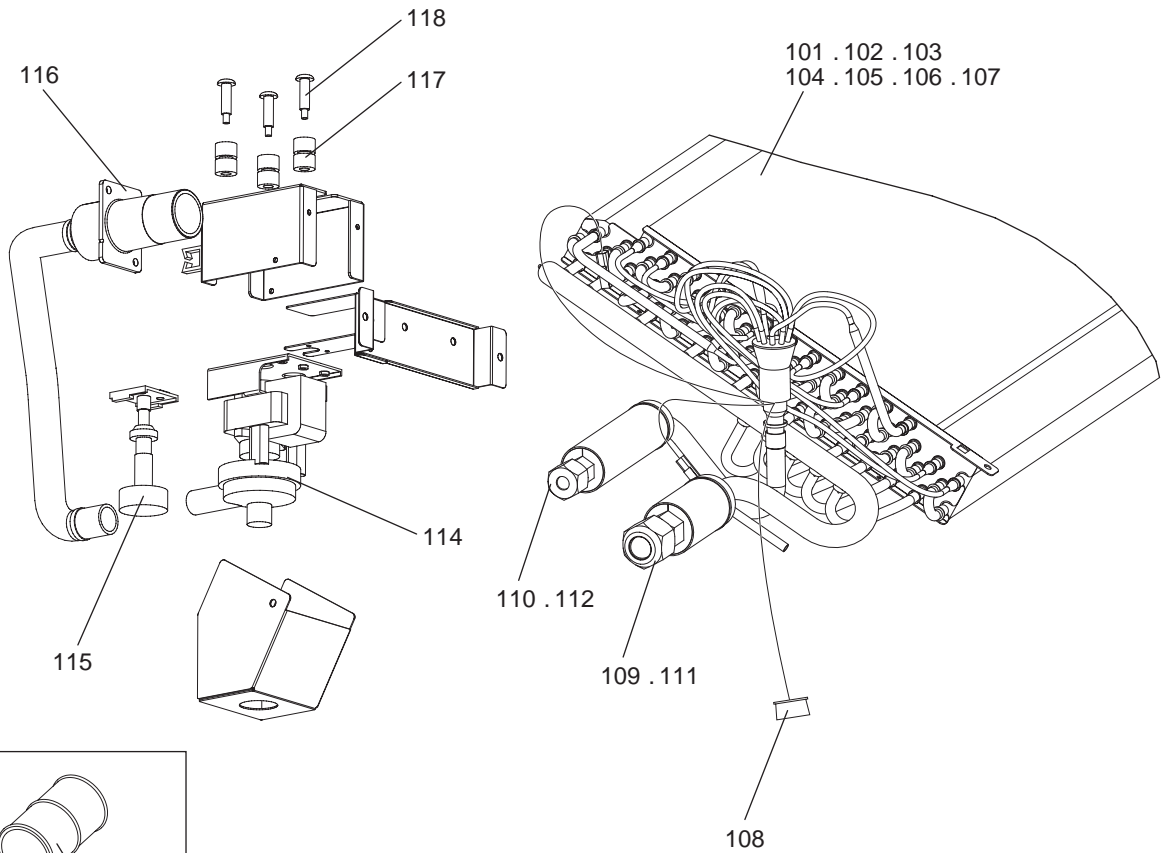
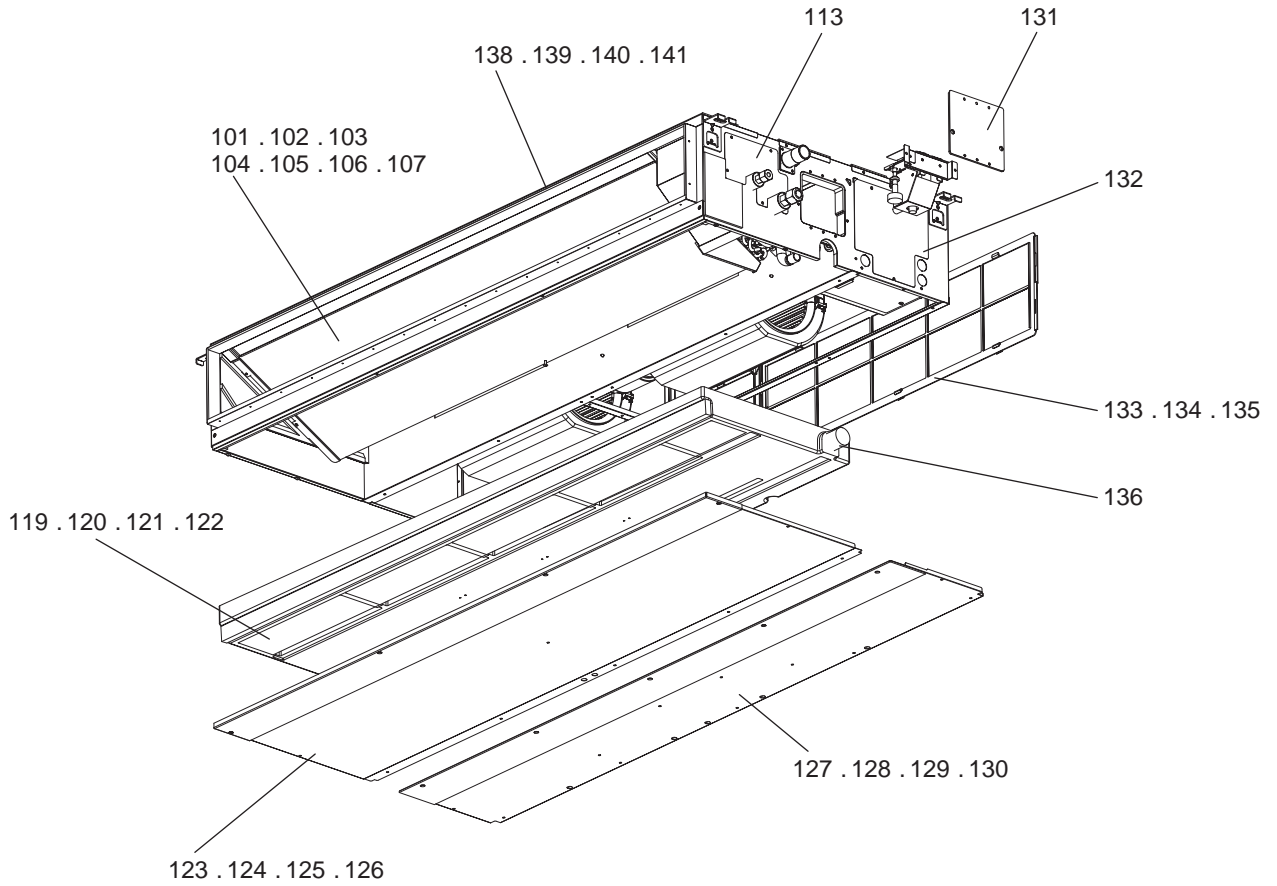
Series : PEAD-M•JA.UK  
PEAD-M•JAL.UK

Mar. 2017  
BWE017010

INDEX
PEAD-M35JA.UK
PEAD-M50JA.UK
PEAD-M60JA.UK
PEAD-M71JA.UK
PEAD-M100JA.UK
PEAD-M125JA.UK
PEAD-M140JA.UK
PEAD-M35JAL.UK
PEAD-M50JAL.UK
PEAD-M60JAL.UK
PEAD-M71JAL.UK
PEAD-M100JAL.UK
PEAD-M125JAL.UK
PEAD-M140JAL.UK

PEAD-M35,M50,M60,M71JA.UK  
PEAD-M100,M125,M140JA.UK

### EXTERNAL PARTS (1)

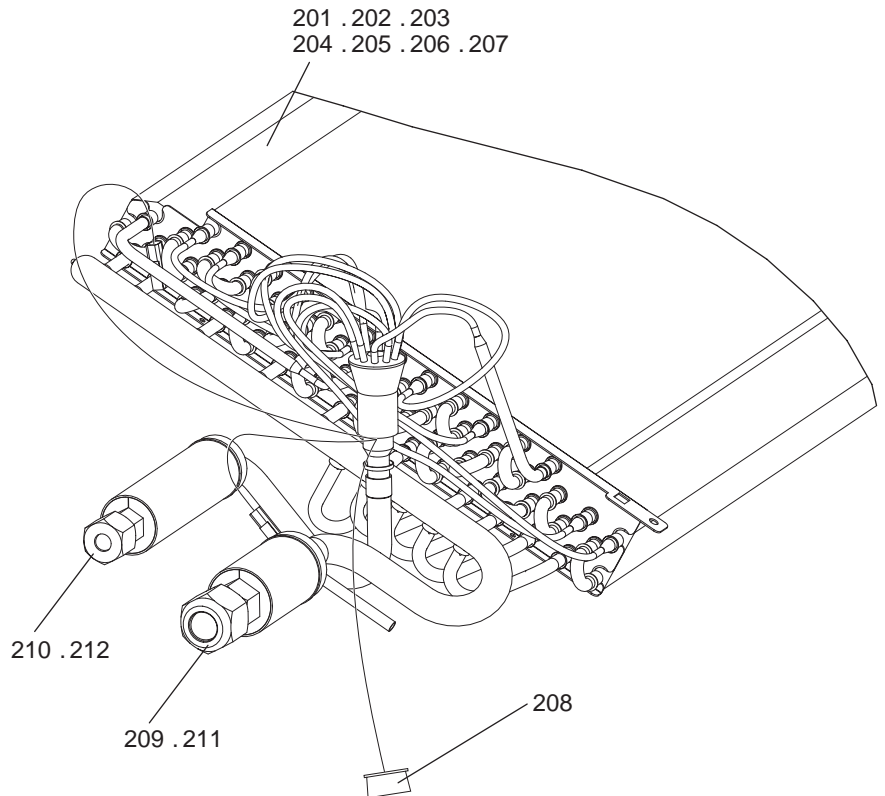
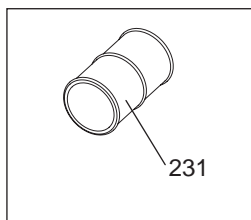
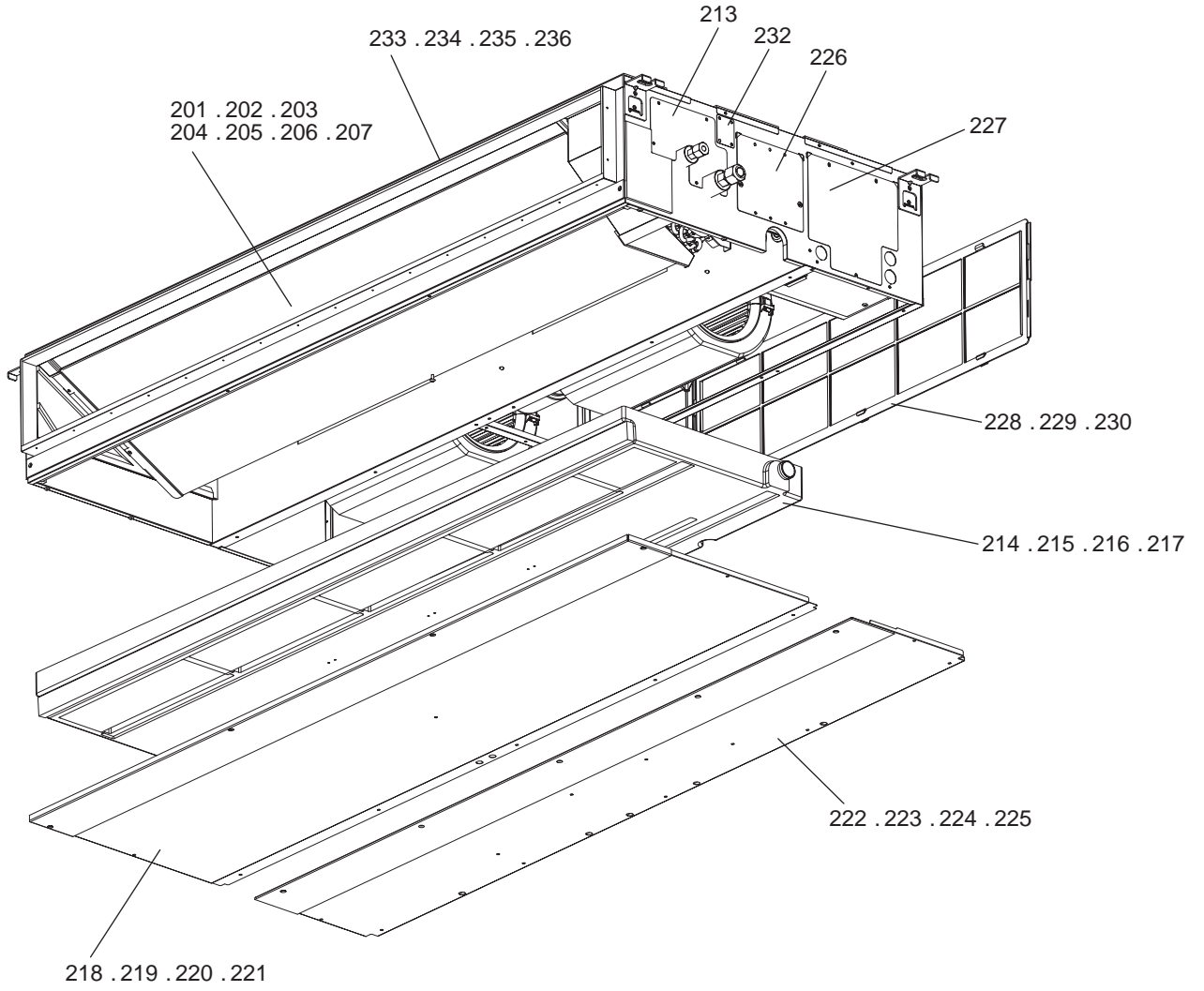


No.	Part No.	G : RoHS Apply Only W : RoHS Apply by Running Change		Spec.	PEAD-M35JA.UK	PEAD-M50JA.UK	PEAD-M60JA.UK	PEAD-M71JA.UK	PEAD-M100JA.UK	PEAD-M125JA.UK	Dwg. No.	Notes for the models	Revision info.
			Part Name										
101	S70 M10 480	G	HEAT EXCHANGER		1						KB00A202B02		
102	S70 M20 480	G	HEAT EXCHANGER			1					KB00A203B02		
103	S70 M30 480	G	HEAT EXCHANGER				1				KB00A178B04		
104	S70 M40 480	G	HEAT EXCHANGER					1			KB00A178B05		
105	S70 M50 480	G	HEAT EXCHANGER						1		KB00A178B06		
106	S70 M60 480	G	HEAT EXCHANGER							1	KB00A318B03		
107	S70 M70 480	G	HEAT EXCHANGER								KB00A318B04		
108	S70 100 202	G	THERMISTOR		1	1	1	1	1	1	KB71B945M01		
109	S70 0B2 097	G	NUT FLARE	1/2F(HOLE)	1	1					BG12S008L01		
110	S70 0B3 097	G	NUT FLARE	1/4(HOLE)	1	1					RG12F144K01		
111	S70 0B4 097	G	NUT FLARE	5/8(HOLE)			1	1	1	1	BG12S826K01		
112	S70 0B5 097	G	NUT FLARE	3/8(HOLE)			1	1	1	1	BH12D642L01		
113	S70 E11 065	G	COVER PIPE ASSY		1	1	1	1	1	1	KB00M203G02		
114	S70 E50 355	G	PUMP	PLD	1	1	1	1	1	1	KB56B953H03		
115	S70 E50 266	G	FLOAT SWITCH	#FS-0250	1	1	1	1	1	1	KB68B944H02		
116	S70 E50 527	G	SOCKET ASSY		1	1	1	1	1	1	KB00R308G05		
117	S70 E11 066	G	CUSHION		3	3	3	3	3	3	DB26F013L01		
118	S70 E40 673	G	SCREW SPECIAL	M4 x 6	3	3	3	3	3	3	Z003Z333H05		
119	S70 E20 529	G	DRAIN PAN ASSY	P40	1	1					KB00R237G02		
120	S70 E30 529	G	DRAIN PAN ASSY	P63			1	1			KB00R237G03		
121	S70 E40 529	G	DRAIN PAN ASSY	P100					1	1	KB00R237G04		
122	S70 E50 529	G	DRAIN PAN ASSY	P140							KB00R237G05		
123	S70 E03 669	G	PANEL UD1 ASSY	P40	1	1					KB00R305G07		
124	S70 E05 669	G	PANEL UD1 ASSY	P63			1	1			KB00R305G08		
125	S70 E07 669	G	PANEL UD1 ASSY	P100					1	1	KB00R305G13		
126	S70 E09 669	G	PANEL UD1 ASSY	P140							KB00R305G14		
127	S70 E04 669	G	PANEL UD2 ASSY	P40	1	1					KB00R306G17		
128	S70 E06 669	G	PANEL UD2 ASSY	P63			1	1			KB00R306G18		
129	S70 E08 669	G	PANEL UD2 ASSY	P100					1	1	KB00R306G21		
130	S70 E10 669	G	PANEL UD2 ASSY	P140							KB00R306G22		
131	S70 E12 067	G	COVER ASSY		1	1	1	1	1	1	KB00M197G06		
132	S70 E13 068	G	COVER BOX ASSY		1	1	1	1	1	1	KB00T337G02		
133	S70 E55 500	G	FILTER	550			2	2			KB35B880G01		
134	S70 E70 500	G	FILTER	700					2	2	KB35B882G01		
135	S70 E90 500	G	FILTER	900	1	1					KB35B881G01		
136	S70 E16 524	G	PLUG		1	1	1	1	1	1	KB26H049H01		
137	S70 29H 523	G	SOCKET		1	1	1	1	1	1	BB25D449K01		
138	S70 E20 642	G	PANEL TOP ASSY	P40	1	1					KB00R292G07		
139	S70 E30 642	G	PANEL TOP ASSY	P63			1	1			KB00R292G08		
140	S70 E40 642	G	PANEL TOP ASSY	P100					1	1	KB00R292G11		
141	S70 E50 642	G	PANEL TOP ASSY	P140							KB00R292G12		

No.	Part No.	G : RoHS Apply Only W : RoHS Apply by Running Change		Spec.	PEAD-M140JA.UK					Dwg. No.	Notes for the models	Revision info.
			Part Name									
101	S70 M10 480	G	HEAT EXCHANGER							KB00A202B02		
102	S70 M20 480	G	HEAT EXCHANGER							KB00A203B02		
103	S70 M30 480	G	HEAT EXCHANGER							KB00A178B04		
104	S70 M40 480	G	HEAT EXCHANGER							KB00A178B05		
105	S70 M50 480	G	HEAT EXCHANGER							KB00A178B06		
106	S70 M60 480	G	HEAT EXCHANGER							KB00A318B03		
107	S70 M70 480	G	HEAT EXCHANGER		1					KB00A318B04		
108	S70 100 202	G	THERMISTOR		1					KB71B945M01		
109	S70 0B2 097	G	NUT FLARE	1/2F(HOLE)						BG12S008L01		
110	S70 0B3 097	G	NUT FLARE	1/4(HOLE)						RG12F144K01		
111	S70 0B4 097	G	NUT FLARE	5/8(HOLE)	1					BG12S826K01		
112	S70 0B5 097	G	NUT FLARE	3/8(HOLE)	1					BH12D642L01		
113	S70 E11 065	G	COVER PIPE ASSY		1					KB00M203G02		
114	S70 E50 355	G	PUMP	PLD	1					KB56B953H03		
115	S70 E50 266	G	FLOAT SWITCH	#FS-0250	1					KB68B944H02		
116	S70 E50 527	G	SOCKET ASSY		1					KB00R308G05		
117	S70 E11 066	G	CUSHION		3					DB26F013L01		
118	S70 E40 673	G	SCREW SPECIAL	M4 x 6	3					Z003Z333H05		
119	S70 E20 529	G	DRAIN PAN ASSY	P40						KB00R237G02		
120	S70 E30 529	G	DRAIN PAN ASSY	P63						KB00R237G03		
121	S70 E40 529	G	DRAIN PAN ASSY	P100						KB00R237G04		
122	S70 E50 529	G	DRAIN PAN ASSY	P140	1					KB00R237G05		
123	S70 E03 669	G	PANEL UD1 ASSY	P40						KB00R305G07		
124	S70 E05 669	G	PANEL UD1 ASSY	P63						KB00R305G08		
125	S70 E07 669	G	PANEL UD1 ASSY	P100						KB00R305G13		
126	S70 E09 669	G	PANEL UD1 ASSY	P140	1					KB00R305G14		
127	S70 E04 669	G	PANEL UD2 ASSY	P40						KB00R306G17		
128	S70 E06 669	G	PANEL UD2 ASSY	P63						KB00R306G18		
129	S70 E08 669	G	PANEL UD2 ASSY	P100						KB00R306G21		
130	S70 E10 669	G	PANEL UD2 ASSY	P140	1					KB00R306G22		
131	S70 E12 067	G	COVER ASSY		1					KB00M197G06		
132	S70 E13 068	G	COVER BOX ASSY		1					KB00T337G02		
133	S70 E55 500	G	FILTER	550						KB35B880G01		
134	S70 E70 500	G	FILTER	700	1					KB35B882G01		
135	S70 E90 500	G	FILTER	900	1					KB35B881G01		
136	S70 E16 524	G	PLUG		1					KB26H049H01		
137	S70 29H 523	G	SOCKET		1					BB25D449K01		
138	S70 E20 642	G	PANEL TOP ASSY	P40						KB00R292G07		
139	S70 E30 642	G	PANEL TOP ASSY	P63						KB00R292G08		
140	S70 E40 642	G	PANEL TOP ASSY	P100						KB00R292G11		
141	S70 E50 642	G	PANEL TOP ASSY	P140	1					KB00R292G12		

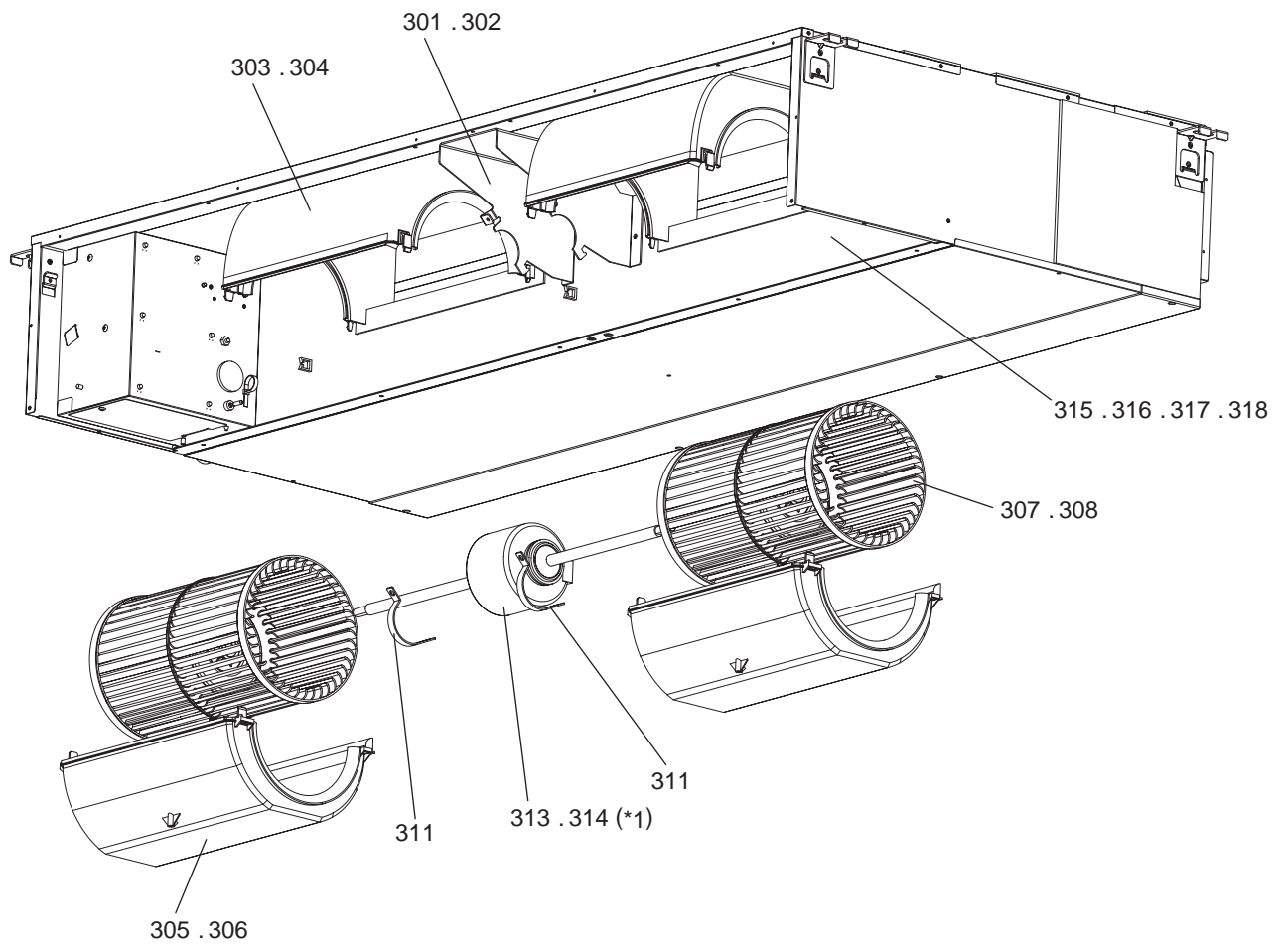
PEAD-M35,M50,M60,M71JAL.UK  
PEAD-M100,M125,M140JAL.UK

EXTERNAL PARTS (2)

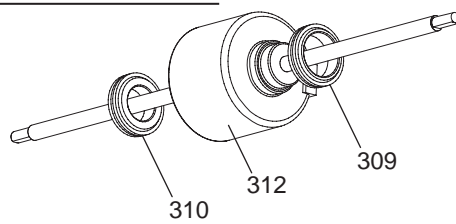








In case of M35 and M50



\*1 Motor (Parts No.313 and 314) comes with rubber mounts.









