

December 2012

No. OCB449

REVISED EDITION-A

PARTS CATALOG

Series PCFY Ceiling Suspended R410A

Indoor unit
[Model names]

[Service Ref.]

PCFY-P40VKM-E

**PCFY-P40VKM-E
PCFY-P40VKM-ER1**

PCFY-P63VKM-E

**PCFY-P63VKM-E
PCFY-P63VKM-ER1**

PCFY-P100VKM-E

**PCFY-P100VKM-E
PCFY-P100VKM-ER1**

PCFY-P125VKM-E

**PCFY-P125VKM-E
PCFY-P125VKM-ER1**

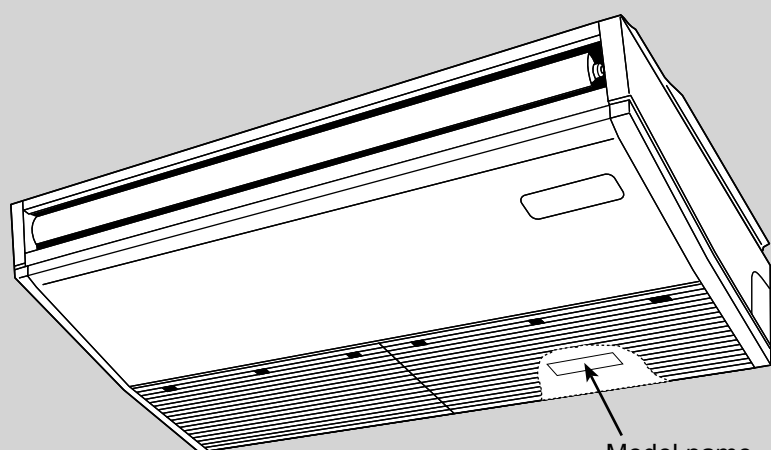
Revision:

- PCFY-P40/63/100/125VKM-ER1 have been added in REVISED EDITION-A.
- Some descriptions have been modified.

- Please void OCB449.

Note:

- RoHS compliant products have <G> mark on the spec name plate.



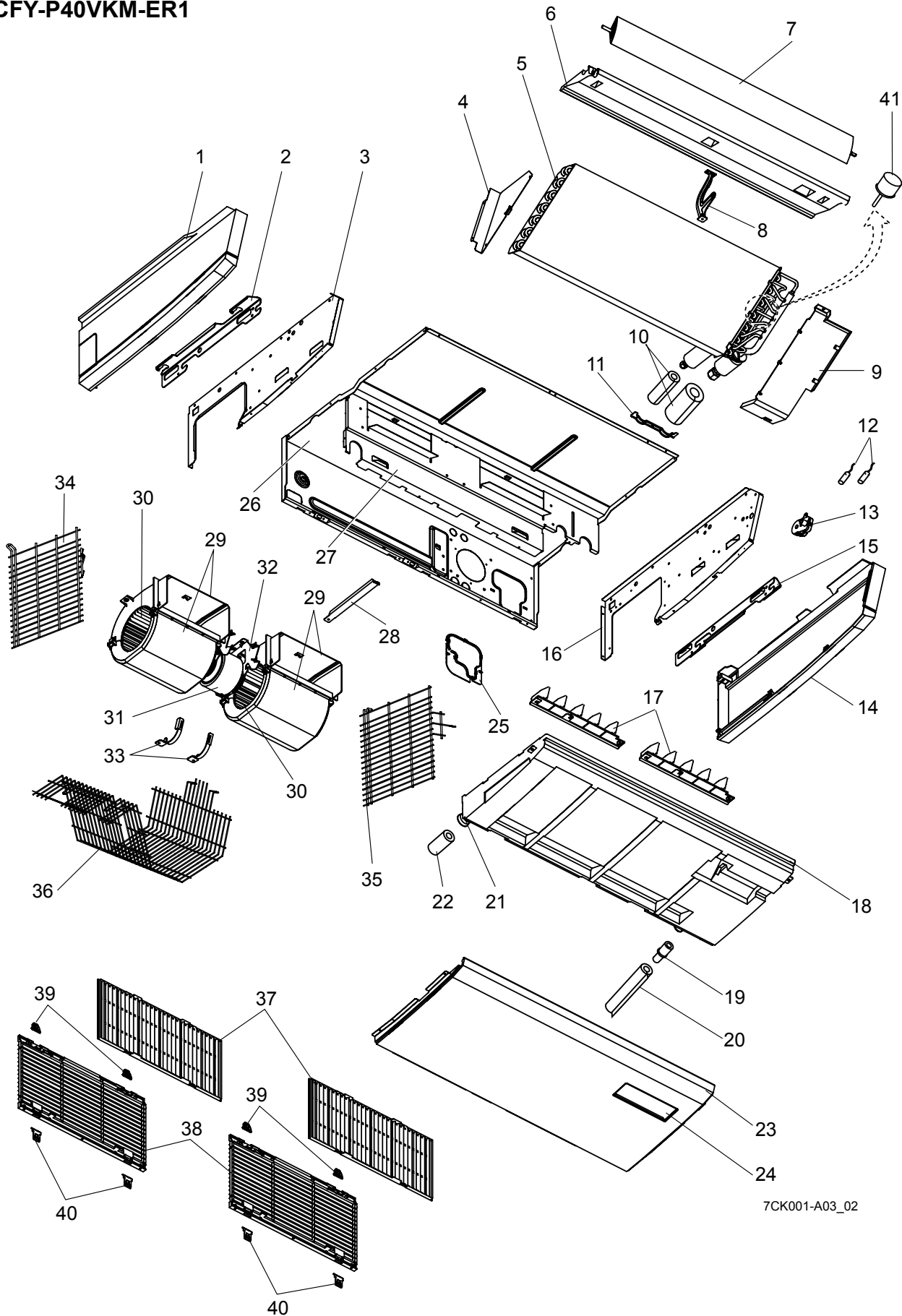
INDOOR UNIT

CONTENTS

1. RoHS PARTS LIST 2
2. OPTIONAL PARTS 7

SERVICE MANUAL (OCH449)

STRUCTURAL AND FUNCTIONAL PARTS (1)
 PCFY-P40VKM-E
 PCFY-P40VKM-ER1



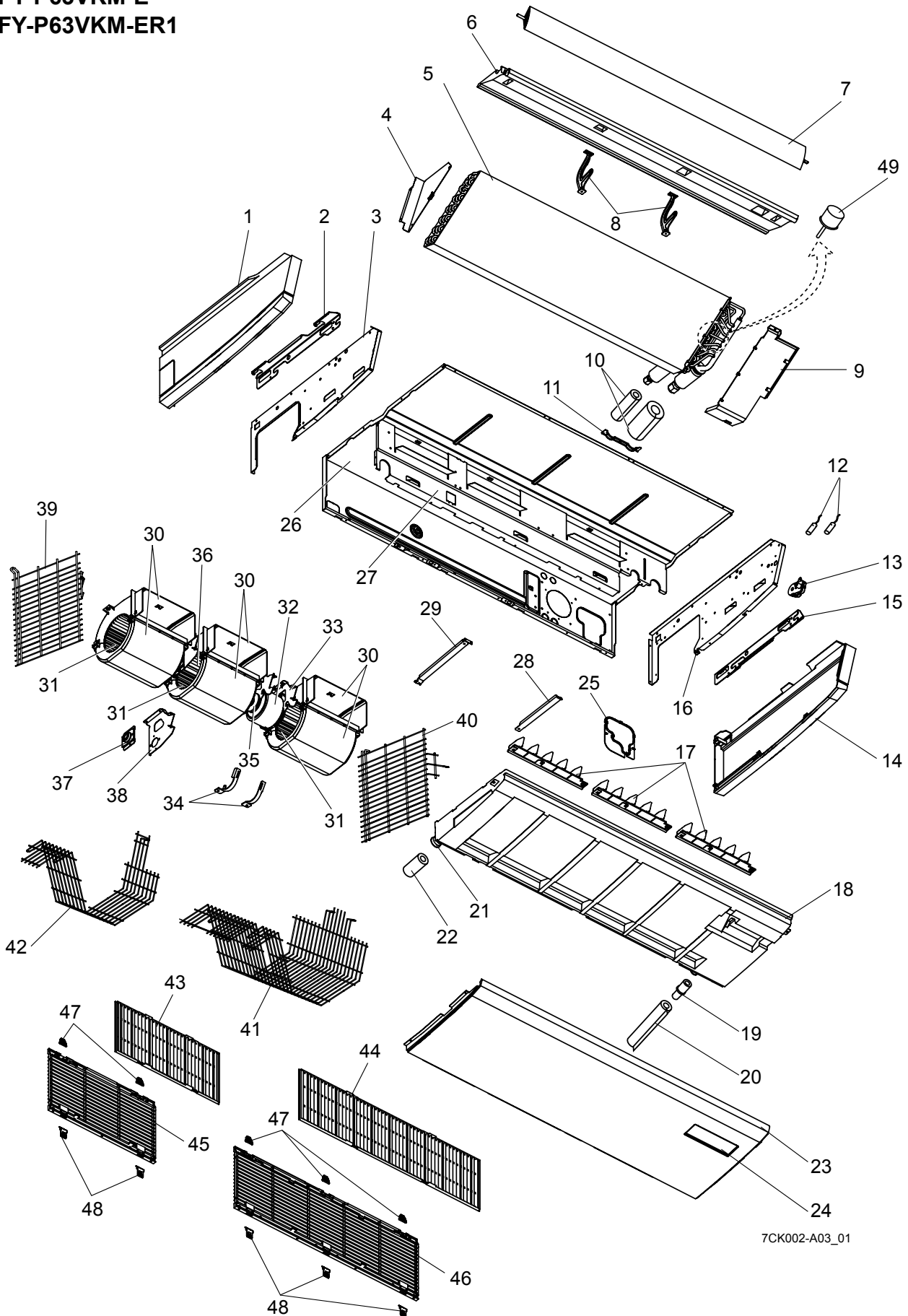
7CK001-A03_02

RoHS PARTS LIST

No.	RoHS	Part No.	Part Name	Specif cation	Q'ty/set		Remarks (Drawing No.)	Wiring Diagram Symbol	Recom- mended Q'ty
					PCFY-P40VKM				
					-E	-ER1			
1	G	R01 E26 662	SIDE PANEL-L		1	1	WITH HANGER		
2	G	R01 E06 809	LEG-L		1	1			
3	G	R01 E02 666	SIDE PLATE-L		1	1	WITH LEG-L		
4	G	R01 E05 615	COIL SUPPORT-H		1	1			
5	G	R01 N55 480	HEAT EXCHANGER		1	1			
6	G	R01 E12 651	FRONT PANEL		1	1			
7	G	R01 E28 002	AUTO VANE		1	1			
8	G	R01 E04 033	VANE SUPPORT		1	1			
9	G	R01 E04 615	COIL SUPPORT		1	1			
10	G	R01 E04 660	PIPE COVER		1	1			
11	G	R01 E02 126	PIPE BAND		1	1			
12	G	T7W E61 202	THERMISTOR (PIPE)		1	1		TH22/TH23	
13	G	R01 E25 223	VANE MOTOR ASSY		1	1		MV	
14	G	R01 E45 661	SIDE PANEL-R		1	1	WITH HANGER		
15	G	R01 E06 808	LEG-R		1	1			
16	G	R01 E02 665	SIDE PLATE-R		1	1	WITH LEG-R		
17	G	R01 E03 085	GUIDE VANE		2	2			
18	G	R01 E42 529	DRAIN PAN		1	1			
19	G	R01 18J 523	JOINT SOCKET		1	1	VP20		
20	G	R01 18J 072	DRAIN HOSE COVER		1	1			
21	G	R01 18J 524	DRAIN PLUG		1	1			
22	G	R01 E03 660	DRAIN SOCKET COVER		1	1			
23	G	R01 E03 669	UNDER PANEL		1	1			
24	G	T7W E04 070	BRAND PLATE		1	1			
25	G	R01 E00 053	PIPE HOLE COVER		1	1			
26	G	-	BASE	Including REAR PANEL	1	1	(RG00V682G57)		
27	G	-	FAN PLATE		1	1	(RG00V683G66)		
28	G	-	BEAM		1	1	(RG00D440G02)		
29	G	R01 20J 110	CASING		2	2	TOP & UNDER		
30	G	R01 E40 114	SIROCCO FAN		2	2	BOSS ϕ 12		
31	G	T7W E38 762	FAN MOTOR		1	1		MF	
32	G	T7W E16 130	MOTOR LEG		1	1			
33	G	T7W E02 126	PIECE (MOTOR) R.L		1	1	LEFT & RIGHT		
34	G	T7W E20 675	FAN GUARD-L		1	1			
35	G	T7W E21 675	FAN GUARD-R		1	1			
36	G	T7W E22 675	FAN GUARD		1	1	FOR MF		
37	G	R01 E24 500	AIR FILTER (SMALL)		2	2			
38	G	R01 E54 691	GRILLE (SMALL)		2	2	WITH HANGER		
39	G	R01 E04 061	GRILLE HINGE		4	4			
40	G	R01 E11 054	GRILLE CATCH		4	4			
41	G	R01 H04 401	EXPANSION VALVE		1	1		LEV	

RoHS PARTS LIST

STRUCTURAL AND FUNCTIONAL PARTS (2) PCFY-P63VKM-E PCFY-P63VKM-ER1



7CK002-A03_01

RoHS PARTS LIST

No.	RoHS	Part No.	Part Name	Specif cation	Q'ty/set		Remarks (Drawing No.)	Wiring Diagram Symbol	Recom- mended Q'ty
					PCFY-P63VKM				
					-E	-ER1			
1	G	R01 E26 662	SIDE PANEL-L		1	1	WITH HANGER		
2	G	R01 E06 809	LEG-L		1	1			
3	G	R01 E02 666	SIDE PLATE-L		1	1	WITH LEG-L		
4	G	R01 E05 615	COIL SUPPORT-H		1	1			
5	G	R01 N56 480	HEAT EXCHANGER		1	1			
6	G	R01 E13 651	FRONT PANEL		1	1			
7	G	R01 E29 002	AUTO VANE		1	1			
8	G	R01 E04 033	VANE SUPPORT		2	2			
9	G	R01 E04 615	COIL SUPPORT		1	1			
10	G	R01 E04 660	PIPE COVER		1	1			
11	G	R01 E02 126	PIPE BAND		1	1			
12	G	T7W E61 202	THERMISTOR (PIPE)		1	1		TH22/TH23	
13	G	R01 E25 223	VANE MOTOR ASSY		1	1		MV	
14	G	R01 E45 661	SIDE PANEL-R		1	1	WITH HANGER		
15	G	R01 E06 808	LEG-R		1	1			
16	G	R01 E02 665	SIDE PLATE-R		1	1	WITH LEG-R		
17	G	R01 E03 085	GUIDE VANE		3	3			
18	G	R01 E43 529	DRAIN PAN		1	1			
19	G	R01 18J 523	JOINT SOCKET		1	1	VP20		
20	G	R01 18J 072	DRAIN HOSE COVER		1	1			
21	G	R01 18J 524	DRAIN PLUG		1	1			
22	G	R01 E03 660	DRAIN SOCKET COVER		1	1			
23	G	R01 E04 669	UNDER PANEL		1	1			
24	G	T7W E04 070	BRAND PLATE		1	1			
25	G	R01 E00 053	PIPE HOLE COVER		1	1			
26	G	-	BASE	Including REAR PANEL	1	1	(RG00V682G58)		
27	G	-	FAN PLATE		1	1	(RG00V683G67)		
28	G	-	BEAM		1	1	(RG00D440G02)		
29	G	-	BEAM		1	1	(BH02G431G10)		
30	G	R01 20J 110	CASING		3	3	TOP & UNDER		
31	G	R01 E40 114	SIROCCO FAN		3	3	BOSS ϕ 12		
32	G	T7W E39 762	FAN MOTOR		1	1		MF	
33	G	T7W E16 130	MOTOR LEG		1	1			
34	G	T7W E02 126	PIECE(MOTOR) R.L		1	1	LEFT & RIGHT		
35	G	R01 E00 116	JOINT (SHAFT)		1	1			
36	G	R01 31J 100	SHAFT		1	1			
37	G	R01 E05 103	BEARING		1	1	OIL SET		
38	G	R01 E00 145	BEARING SUPPORT		1	1			
39	G	T7W E20 675	FAN GUARD-L		1	1			
40	G	T7W E21 675	FAN GUARD-R		1	1			
41	G	T7W E23 675	FAN GUARD		1	1	FOR MF		
42	G	T7W E24 675	FAN GUARD		1	1			
43	G	R01 E24 500	AIR FILTER (SMALL)		1	1			
44	G	R01 E25 500	AIR FILTER (LARGE)		1	1			
45	G	R01 E54 691	GRILLE (SMALL)		1	1	WITH HANGER		
46	G	R01 E55 691	GRILLE (LARGE)		1	1	WITH HANGER		
47	G	R01 E04 061	GRILLE HINGE		5	5			
48	G	R01 E11 054	GRILLE CATCH		5	5			
49	G	R01 H04 401	EXPANSION VALVE		1	1		LEV	

RoHS PARTS LIST

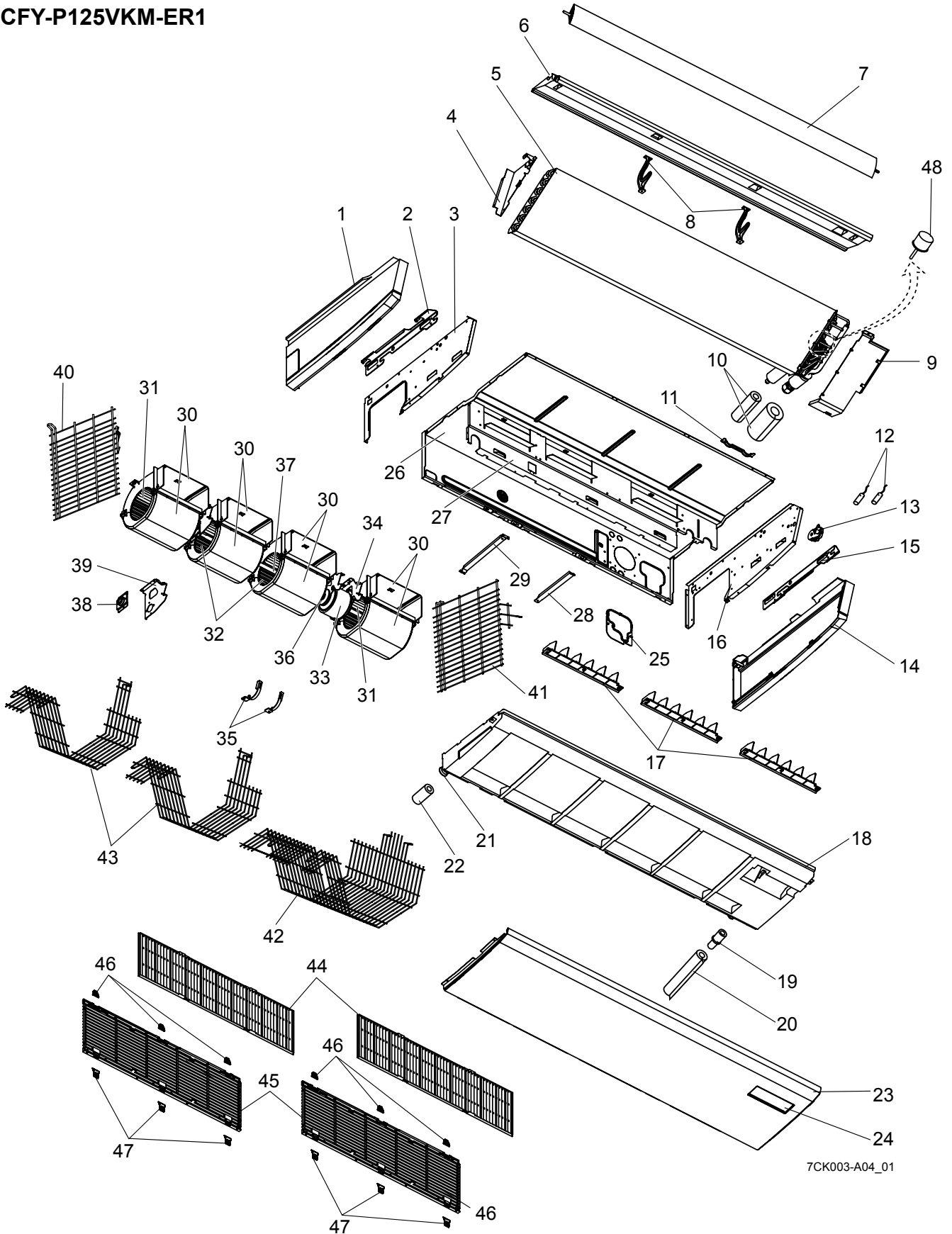
STRUCTURAL AND FUNCTIONAL PARTS (3)

PCFY-P100VKM-E

PCFY-P125VKM-E

PCFY-P100VKM-ER1

PCFY-P125VKM-ER1



7CK003-A04_01

RoHS PARTS LIST

No.	RoHS	Part No.	Part Name	Specification	Q'ty/set				Remarks (Drawing No.)	Wiring Diagram Symbol
					PCFY-P-VKM-E		PCFY-P-VKM-ER1			
					100	125	100	125		
1	G	R01 E26 662	SIDE PANEL-L		1	1	1	1	WITH HANGER	
2	G	R01 E06 809	LEG-L		1	1	1	1		
3	G	R01 E02 666	SIDE PLATE-L		1	1	1	1	WITH LEG-L	
4	G	R01 E08 615	COIL SUPPORT-H		1	1	1	1		
5	G	R01 N58 480	HEAT EXCHANGER		1		1			
	G	R01 N59 480	HEAT EXCHANGER			1		1		
6	G	R01 E14 651	FRONT PANEL		1	1	1	1		
7	G	R01 E30 002	AUTO VANE		1	1	1	1		
8	G	R01 E04 033	VANE SUPPORT		2	2	2	2		
9	G	R01 E04 615	COIL SUPPORT		1	1	1	1		
10	G	R01 E04 660	PIPE COVER		1	1	1	1		
11	G	R01 E02 126	PIPE BAND		1	1	1	1		
12	G	T7W E61 202	THERMISTOR (PIPE)		1	1	1	1		TH22/TH23
13	G	R01 E25 223	VANE MOTOR ASSY		1	1	1	1		MV
14	G	R01 E45 661	SIDE PANEL-R		1	1	1	1	WITH HANGER	
15	G	R01 E06 808	LEG-R		1	1	1	1		
16	G	R01 E02 665	SIDE PLATE-R		1	1	1	1	WITH LEG-R	
17	G	R01 E04 085	GUIDE VANE		3	3	3	3		
18	G	R01 E44 529	DRAIN PAN		1	1	1	1		
19	G	R01 18J 523	JOINT SOCKET		1	1	1	1	VP20	
20	G	R01 18J 072	DRAIN HOSE COVER		1	1	1	1		
21	G	R01 18J 524	DRAIN PLUG		1	1	1	1		
22	G	R01 E03 660	DRAIN SOCKET COVER		1	1	1	1		
23	G	R01 E05 669	UNDER PANEL		1	1	1	1		
24	G	T7W E04 070	BRAND PLATE		1	1	1	1		
25	G	R01 E00 053	PIPE HOLE COVER		1	1	1	1		
26	G	-	BASE	Including REAR PANEL	1	1	1	1	(RG00V682G61)	
27	G	-	FAN PLATE		1	1	1	1	(RG00V683G70)	
28	G	-	BEAM		1	1	1	1	(RG00D440G02)	
29	G	-	BEAM		1	1	1	1	(BH02G431G10)	
30	G	R01 20J 110	CASING		4	4	4	4	TOP & UNDER	
31	G	R01 E40 114	SIROCCO FAN		2	2	2	2	BOSS ϕ 12	
32	G	R01 E41 114	SIROCCO FAN		2	2	2	2	BOSS ϕ 15	
33	G	T7W E40 762	FAN MOTOR		1	1	1	1		MF
34	G	T7W E16 130	MOTOR LEG		1	1	1	1		
35	G	T7W E02 126	PIECE (MOTOR) R.L		1	1	1	1	LEFT & RIGHT	
36	G	R01 E00 116	JOINT (SHAFT)		1	1	1	1		
37	G	R01 32J 100	SHAFT		1	1	1	1		
38	G	R01 E05 103	BEARING		1	1	1	1	OIL SET	
39	G	R01 E00 145	BEARING SUPPORT		1	1	1	1		
40	G	T7W E20 675	FAN GUARD-L		1	1	1	1		
41	G	T7W E21 675	FAN GUARD-R		1	1	1	1		
42	G	T7W E23 675	FAN GUARD		1	1	1	1	FOR MF	
43	G	T7W E25 675	FAN GUARD		2	2	2	2		
44	G	R01 E25 500	AIR FILTER (LARGE)		2	2	2	2		
45	G	R01 E55 691	GRILLE (LARGE)		2	2	2	2	WITH HANGER	
46	G	R01 E04 061	GRILLE HINGE		6	6	6	6		
47	G	R01 E11 054	GRILLE CATCH		6	6	6	6		
48	G	R01 H24 401	EXPANSION VALVE		1	1	1	1		LEV

RoHS PARTS LIST

ELECTRICAL PARTS

PCFY-P40VKM-E

PCFY-P63VKM-E

PCFY-P100VKM-E

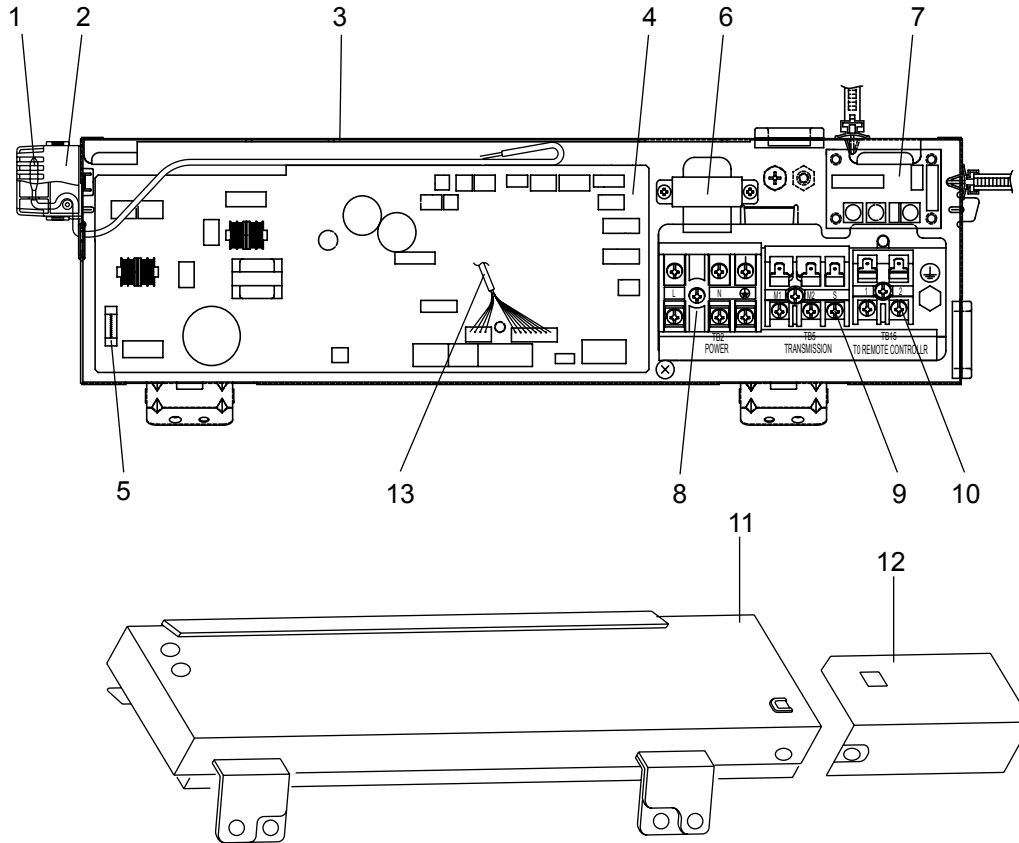
PCFY-P125VKM-E

PCFY-P40VKM-ER1

PCFY-P63VKM-ER1

PCFY-P100VKM-ER1

PCFY-P125VKM-ER1



No.	RoHS	Part No.	Part Name	Specification	Q'ty/set		Remarks (Drawing No.)	Wiring Diagram Symbol
					PCFY-P-VKM-E 40, 63, 100, 125	PCFY-P-VKM-ER1 40, 63, 100, 125		
1	G	R01 H18 202	THERMISTOR (ROOM)		1	1		TH21
2	G	R01 E01 520	SENSOR COVER		1	1	For TH21	
3	G	-	ELECTRICAL BOX		1	1	(BH00G997G23)	
4	G	T7W E81 310	CONTROLLER BOARD		1			I.B
	G	T7W C08 310	CONTROLLER BOARD			1		I.B
5	G	R01 E06 239	FUSE	6.3A 250V	1	1		FUSE
6	G	T7W E19 259	REACTOR		1	1		DCL
7	G	T7W E01 294	ADDRESS BOARD		1	1		A.B
8	G	T7W E32 716	TERMINAL BLOCK	3P (L, N, ⊕)	1	1		TB2
9	G	T7W E35 716	TERMINAL BLOCK	3P (M1,M2,S)	1	1		TB5
10	G	R01 E44 246	TERMINAL BLOCK	2P (1,2)	1	1		TB15
11	G	-	ELECTRICAL BOX COVER		1	1	(BH00L104G09)	
12	G	-	ELECTRICAL BOX COVER		1	1	(RG02V755G02)	
13	G	R01 E09 305	CABLE		1	1		

2**OPTIONAL PARTS****2-1. WIRELESS REMOTE CONTROLLER**

Part No.	PAR-SL94B-E
----------	-------------

2-2. WIRED REMOTE CONTROLLER (MA REMOTE CONTROLLER)

Part No.	PAR-21MAA PAR-30MAA PAR-31MAA
----------	-------------------------------------

2-3. WIRED REMOTE CONTROLLER (ME REMOTE CONTROLLER)

Part No.	PAR-F27MEA
----------	------------

2-4. DRAIN LIFT UP MECHANISM

Part No.	PAC-SH83DM-E	PAC-SH84DM-E
Applied model	PCFY-P40VKM-E	PCFY-P63,100,125VKM-E

2-5. HIGH EFFICIENCY FILTER

Part No.	PAC-SH88KF-E	PAC-SH89KF-E	PAC-SH90KF-E
Applied model	PCFY-P40VKM-E	PCFY-P63VKM-E	PCFY-P100,125VKM-E

CITY MULTI™

MITSUBISHI ELECTRIC CORPORATION

HEAD OFFICE : TOKYO BLDG., 2-7-3, MARUNOUCHI, CHIYODA-KU TOKYO 100-8310, JAPAN
