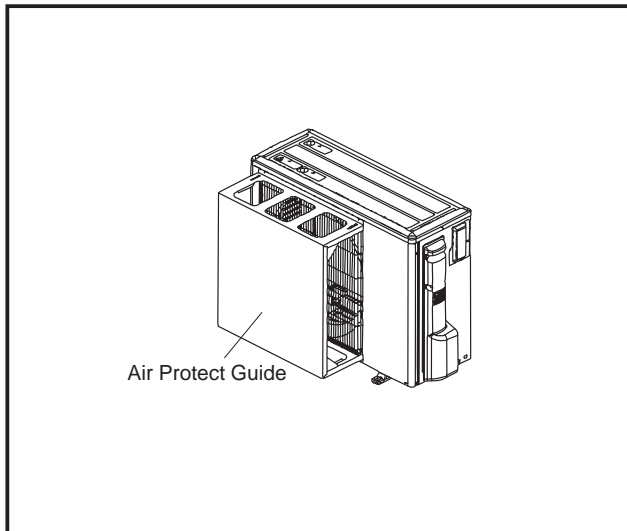




Figure



Descriptions

Enables operation even when the outside temperature is low. Protect the unit from cold wind.

Applicable Models

- PUZ-ZM35VKA
 - PUHZ-ZRP35VKA2
 - PUZ-ZM50VKA
 - PUHZ-ZRP50VKA2
- 1 piece required

[R32 type]

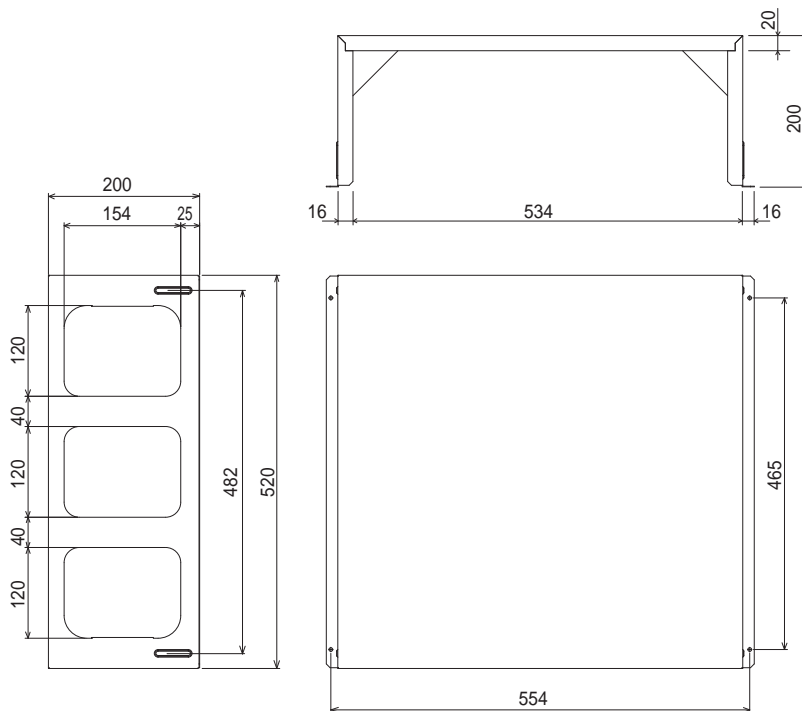
[R410A type]

Specifications

Exterior	Color (Munsell)	Ivory (3.0Y 7.8/1.1)
	Surface treatment	Acrylic resin coating
	Material	Alloy hot-dip zinc-coated carbon steel sheet
Weight		3.4kg
Accessory name x Qty.		Mounting screw (4x10) x 4 Spring washer x 4

Dimensions

Unit: mm



CAUTION

* This Air protect prevents reverse rotation of outdoor unit fan when it enters low speed rotation mode with fan controller being operated. It is also used for protection of fan when strong winds, such as a typhoon, wind blowing through tall buildings, etc., directly strike the air outlet. In addition, installation of this product is necessary when cooling operation is to be performed in outdoor temperature of -5°C or lower (down to -15°C).

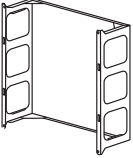
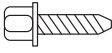


Pay attention to the following points when installing this product:

- 1) To eliminate the effects of external wind, be sure to install this unit with back surface facing wall side.
- 2) Do not install this unit in orientation or site where wind directly blows at the back of the unit.
- 3) Installing of this product will reduce the capacity of the unit (approx. 2 or 3%) and increase the noise of outdoor unit (approx. 1 or 2dB)
- 4) Do not use this product where there is any obstacle at either side or above the outdoor unit (discharge air will be blocked): This may cause a short cycle.

How to Use / How to Install

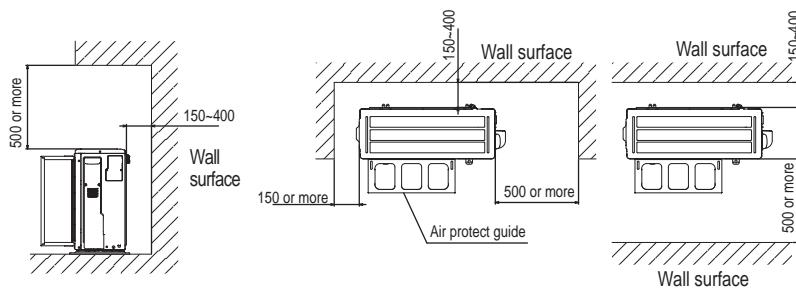
1 Accessories

Make sure that all the following parts, in addition to this manual, are in this box.

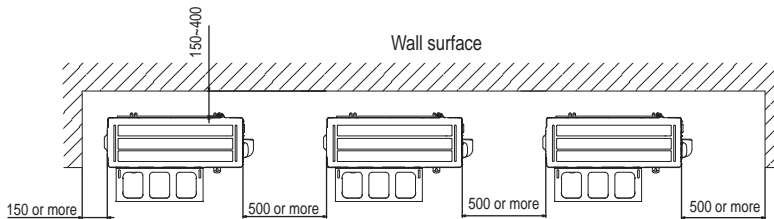
① Air protect guide	1	② Mounting screw 4×16	4	③ Washer	4	④ Spring washer	4
							

2 Requirements of installation space [Unit: mm]

(1) One unit installation:



(2) Multiple unit installation: *Installation of multiple units in series must be no more than five units.



3 Installation procedure

(1) Install the air protect guide ① on the outdoor unit using washers ③, spring washers ④ and screws ②.

