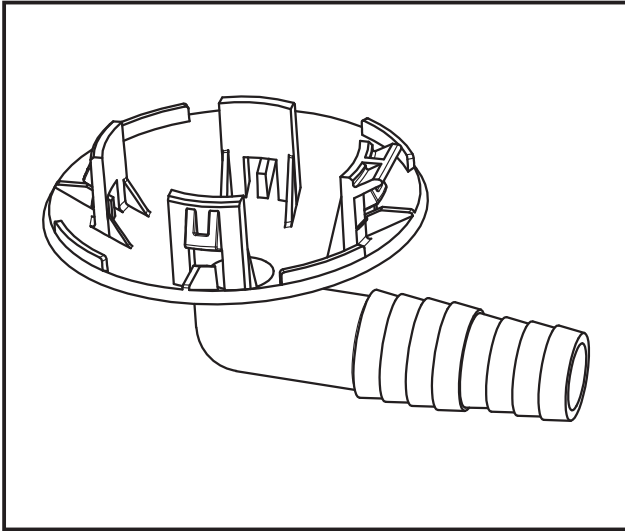




## Photo



## Descriptions

Cap the unnecessary holes on the outdoor unit (bottom) and centralize the drainage when using a drain pipe.

## Applicable Models

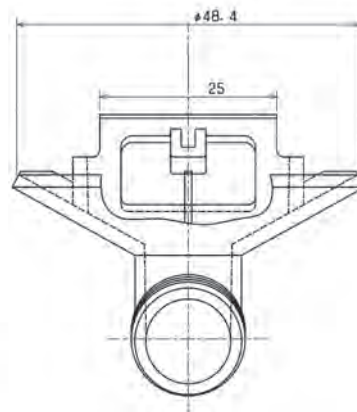
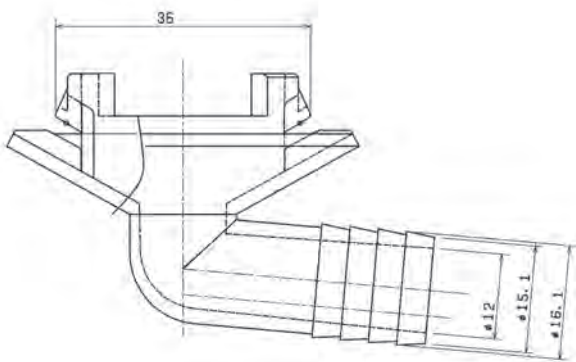
- MXZ-4E83VA
- MXZ-5E102VA
- MXZ-6D122VA2
- MXZ-4F83VF
- MXZ-5F102VF
- MXZ-6F122VF

## Specifications

|                      |                                                         |
|----------------------|---------------------------------------------------------|
| Drain pipe           | PVC VP-25 or vinyl hose (ID: 25mm)                      |
| Operating conditions | No freezing allowed (Never to be used in cold climates) |
| Material             | EPT rubber                                              |
| Component            | Drain socket x 1, Drain cap x 6                         |

## Dimensions

Unit: mm



## How to Use / How to Install

### 1. Accessories

Be aware that the following parts are put in the package together with the installation manual.

|                           |                         |
|---------------------------|-------------------------|
| Ⓐ Drain socket ..... 1 pc | Ⓑ Drain cap ..... 6 pcs |
|                           |                         |

### 2. Installation procedure for drain unit ☆ Prepare the adhesive in the field.

Install the unit horizontally.

- (1) Please perform the drain piping work only when draining from one place.
  - ① Provide drain piping before indoor and outdoor piping connection.
  - ② Attach the drain socket Ⓐ to one of the several drain holes.  
Fix the drain socket Ⓐ into the drain hole of the base using the catches to secure it in place.
  - ③ Connect the soft PVC hose I.D.15 mm as shown in the illustration.
  - ④ Make sure to provide drain piping with a downhill grade for easy drain now.
- (2) Glue the drain caps Ⓑ to close all the other unnecessary holes with the glue (Prepare in the field).  
<Note> Apply the glue securely, as the glue (Prepare in the field) will work as seal to prevent water from leaking.  
<Note> Use the adhesive for the rubber and metal.

