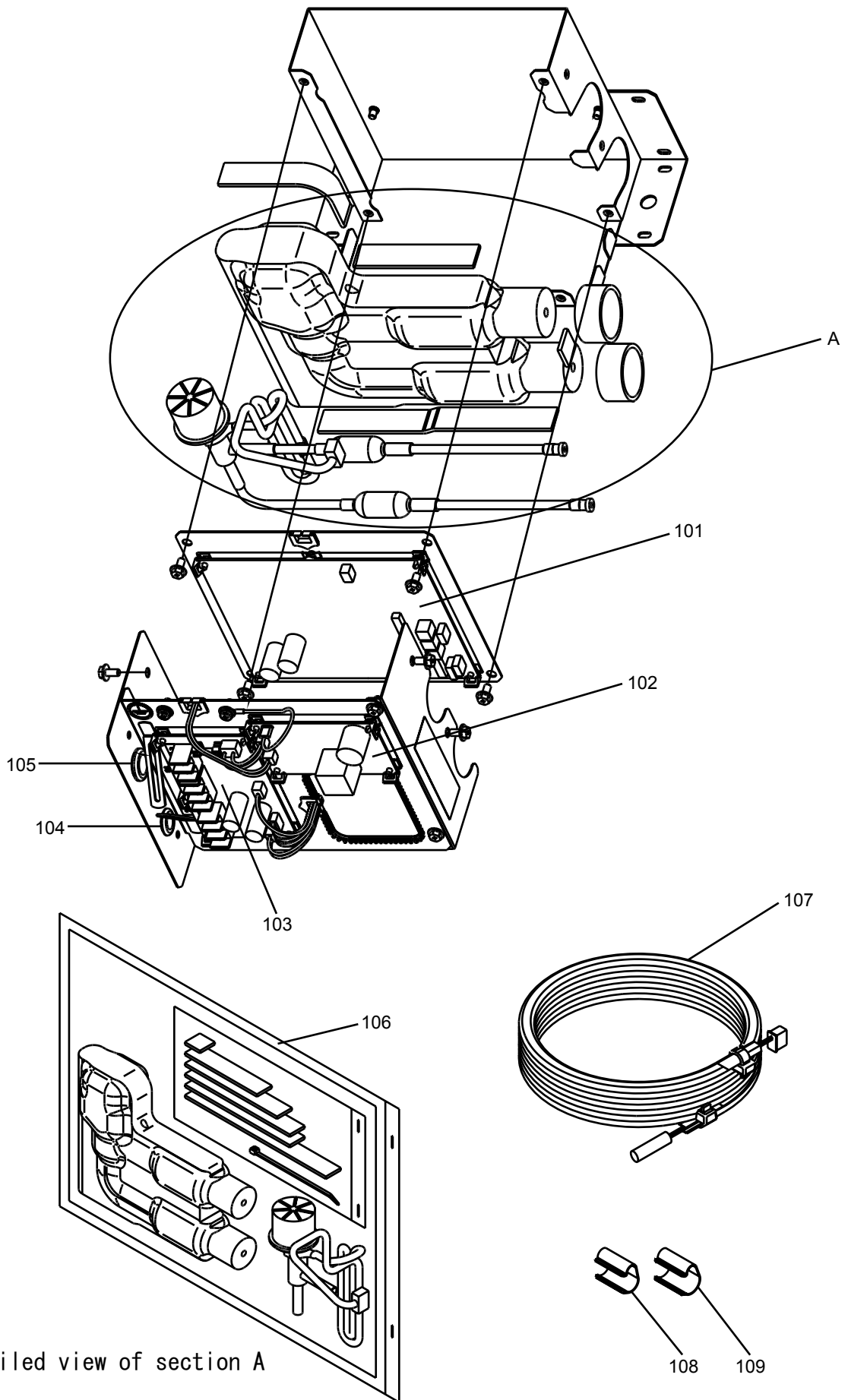


SERVICE PARTS LIST FOR MITSUBISHI ELECTRIC CITY MULTI CONNECTION KIT

Series : PAC-LV•M-J

Nov. 2012
BWE012060

| |
|--------------------|
| INDEX |
| PAC-LV11M-J |



mitsubishi electric corporation
HEAD OFFICE: TOKYO BLDG., 2-7-3, MARUNOUCHI, CHIYODA-KU, TOKYO 100-8310, JAPAN

BWE012060 (20121130)