

MODEL	P-350SB-E
-------	-----------

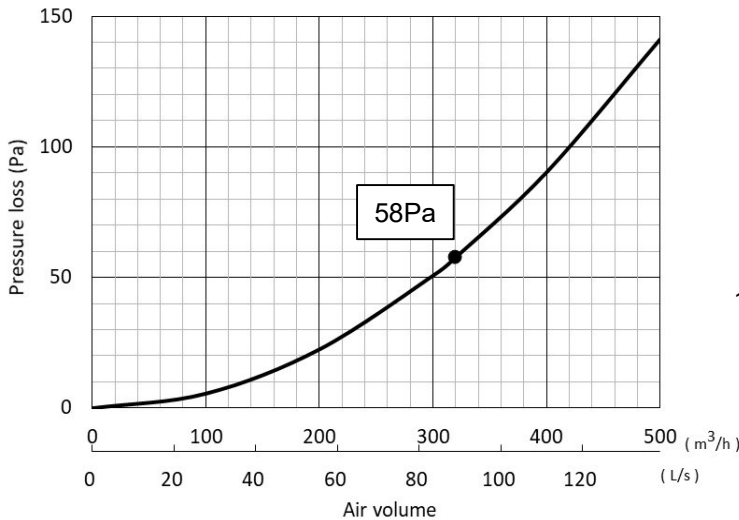
Applicable model	VL-350CZPVU series
Function	Reduce the outlet (SA and EA) noise of the Lossnay unit
Dimensions (Height x Width x Depth)	465mm x 655mm x 430mm
Weight	Silencer Box:17kg
Applicable pipe diameter	Φ150mm
Cladding	Steel sheet
Attenuating material	Grass wool (SA and EA only)
Heat insulation material	Polystyrene and Polyethylene foam
Duct connecting	Synthetic resin
Outside air condition	Shall be higher than -15°C
Surrounding air condition	Indoor temperature and humidity should not exceed the dew point temperature 12°C (e.g. RH60% / 20°C)
Return(Suction) air condition	Shall be lower than 40°C, 95%RH

■ Attenuation of sound power level for center frequency

Air volume (m ³ /h)	Static pressure (Pa)	Point	Attenuation of sound power level for center frequency Hz (dB)							
			63	125	250	500	1000	2000	4000	8000
224	74	Outlet (SA/EA)	12	8	11	21	32	29	19	12

1. Figures on the chart above are measured by Mitsubishi Electric.
2. The silencer box is placed on the just after the outlet of the Lossnay unit based on the Installation Manual.
3. When the air volume differs, the attenuation may be also different from the chart above.


■ Pressure loss curve



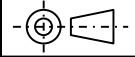
1. The curve on the left is the total pressure drop of the OA and SA or RA and EA ducts in the silencer box.

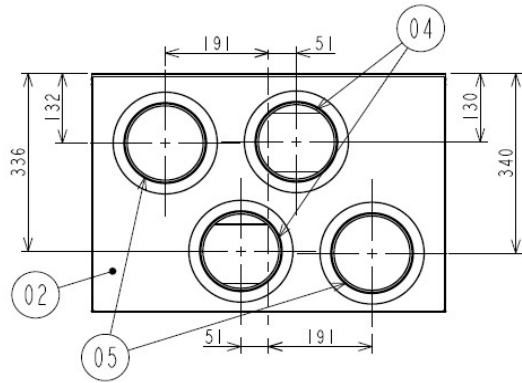
■ Attention

1. This product is for residential use.
2. The silencer box is for installation between the applicable Lossnay unit and the air duct to reduce the outlet (SA and EA) noise of the Lossnay unit. Do not use it for any other purpose (commercial use, etc.). The incorrect operation may be a cause of a malfunction.
3. The product must be correctly installed to ensure that its performance and functions are properly demonstrated and to ensure its safe use and operation. Please read the Installation Manual carefully before installation.
4. For installation parts, be sure to use accessories and designated parts. Use of non-designated parts may be a cause of malfunction.
5. Installation must be performed by dealers and electrical contractors. Incorrect installation may be a cause of malfunction or accident. Installation by the customer may result in a malfunction or accident.
6. The product must be installed indoors.

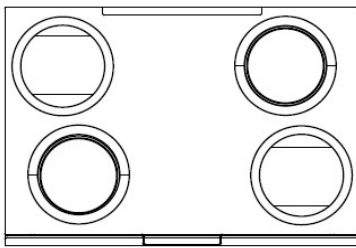
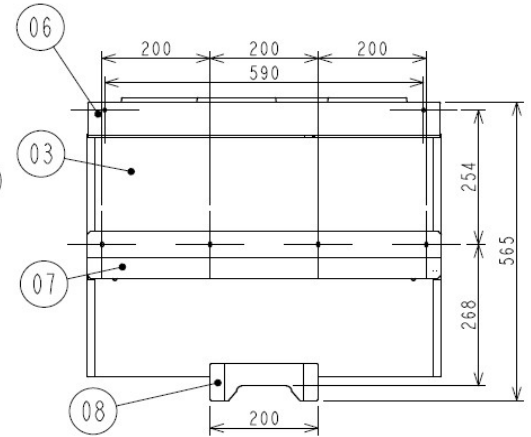
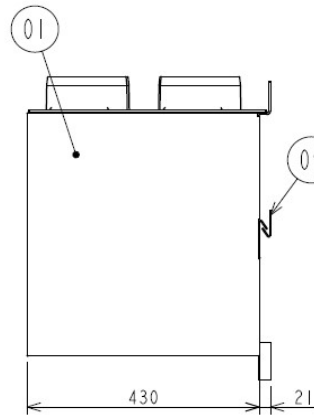
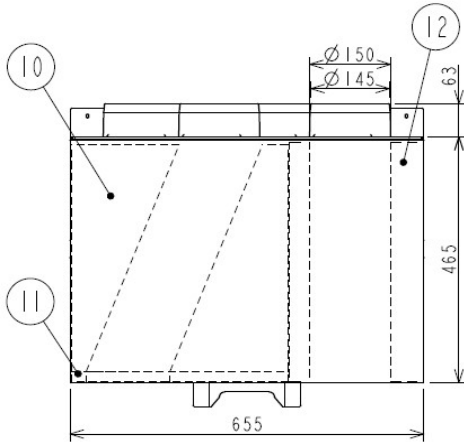
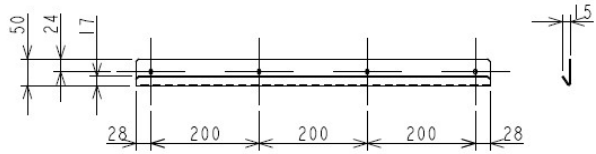
SPECIFICATIONS		※Specification may be subject to change without notice.		
	DATE	TYPE MODEL	Silencer Box for Lossnay P-350SB-E	
	16-Mar-21	NUMBER	N20SGGD0013	1/2

■ Outline drawings

	UNIT	SCALE
	mm	N.T.S



Wall bracket



Parts List

No.	PARTS NAME	MATERIAL	REMARKS
01	Front and Side Casing	Painted metal	Munsell 6.2PB 8.8/1.6
02	Top Casing	Galvanized Steel Sheet covered with Polyurethane	Gray
03	Back and Bottom Casing	Galvanized Steel Sheet	
04	Pipe Guides (SA/EA)	Synthetic Resin	
05	Pipe Guides (OA/RA)	Synthetic Resin	
06	Wall Mount Hook Top	Galvanized Steel	
07	Wall Mount Hook Center	Galvanized Steel	
08	Under Fix Piece	Galvanized Steel	
09	Wall Bracket	Galvanized Steel	
10	Attenuating Material	Grass Wool	
11	Heat Insulation Material	Polyethylene	
12	Heat Insulation Material	Polystyrene	

※OA : Outdoor Air, SA : Supply Air, RA : Return Air, EA : Exhaust Air

OUTLINE DRAWINGS



DATE

16-Mar-21

TYPE
MODEL

NUMBER

Silencer Box for Lossnay
P-350SB-E

N20SGGD0013

2/2