

LOSSNAY HEAT RECOVERY VENTILATOR SYSTEM COMPONENT SILENCER BOX

MODEL	Applicable models
P-250SB-E	VL-250CZPVU series
P-350SB-E	VL-350CZPVU series

Installation Manual

For use by dealers/contractors







- This product is for residential use.
- The silencer box is for installation between the Lossnay unit and the air duct to reduce the noise of the Lossnay unit. Do not use it for any other purpose (commercial use, etc.). The incorrect operation may be a cause of a malfunction.
- The product must be correctly installed to ensure that its performance and functions are properly demonstrated and to ensure its safe use and operation. Please read the Installation Manual carefully before installation.
- For installation parts, be sure to use accessories and designated parts. Use of non-designated parts may be a cause of malfunction.
- Installation must be performed by dealers and electrical contractors. Incorrect installation may be a cause of a malfunction or accident. Installation by the customer may result in a malfunction or accident.
- The product must be installed indoors.




After completing installation, make sure to give the manual to the user.

- To ensure correct and safe use, read the Installation Manual thoroughly. Before using the product, check "Safety Precautions" to use it correctly and safely.
- After reading, store the manual in a handy location for easy access.

1. Safety precautions

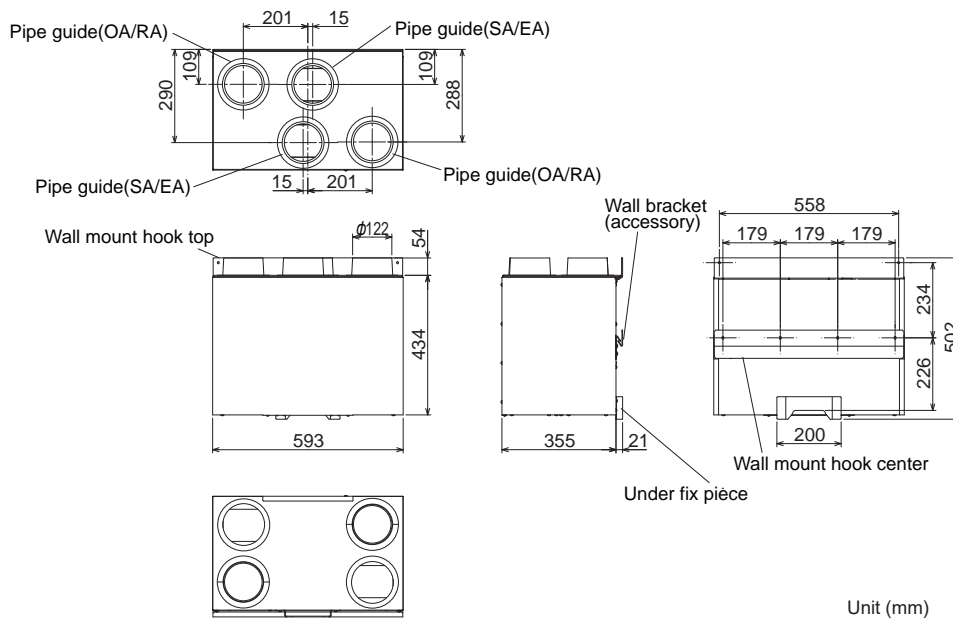
The following symbols denote the type and degree of danger resulting from incorrect handling.

 WARNING		Incorrect handling of the product may result in serious injury or death.	
 Prohibited	Do not install the product in a place that becomes hot place, subject to direct sunlight, place with a lot of oily smoke, or place where organic solvent will get on the product. Failure to heed this warning may result in fire.	 Follow instructions	Select a place which is strong enough to support the product, and install the product securely. Injury could result if parts fall. When metal ducts penetrate through metal-sheeted wooden buildings or structures, install the product so that there is no electrical contact between the metal ducts and the metal sheeting. Electric leakage may cause ignition. Be sure to turn off the circuit breaker of Lossnay before inspection. Failure to heed this warning may result in electric shock or injury. For installation work parts, be sure to use only accessories and designated parts. Use of non-designated parts may result in equipment damage or accidents.
 No water exposure	Refrain from immersing in water or splashing the product with water. Failure to heed this warning could result in short circuit or electric shock.		
 No disassembly	Do not modify or disassemble the product beyond that is necessary. Failure to heed this warning may result in fire, electric shock or injury.		
 Cannot be installed in a bathroom	Do not install Lossnay or the remote controller in a bathroom or other humid location. Failure to heed this warning may result in electric shock or electric leakage.		

 CAUTION		Incorrect handling of the product may result in injury or damage to property or household effects.	
 Follow instructions	Wear gloves when installing. Failure to heed this warning may result in injury. Securely install parts so that they are not twisted or deformed. Injury could result if parts fall. When installing the product, do not subject the product to impact: do not drop or throw the product. Damage to structures inside the product may result in air or water leakage. Securely install removed parts after inspection. Injury could result if parts fall. Do not stand on anything unstable when inspecting, installing, or removing the parts. Injury may result if you tumble down.	 Follow instructions	This appliance is not intended for use by persons (including children) with reduced physical sensory or mental capabilities, or lack of experience and knowledge, unless they have been given supervision or instruction concerning use of the appliance by a person responsible for their safety. Children should be supervised to ensure that they do not play with the appliance. (This appliance can be used by children aged from 8 years and above and persons with reduced physical, sensory or mental capabilities or lack of experience and knowledge if they have been given supervision or instruction concerning use of the appliance in a safe way and understand the hazards involved. Children shall not play with the appliance. Cleaning and user maintenance shall not be performed by children without supervision.)

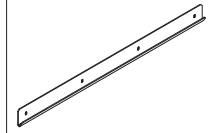
2. Outside Dimensions

P-250SB-E

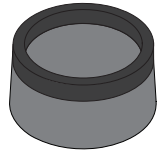


Accessories

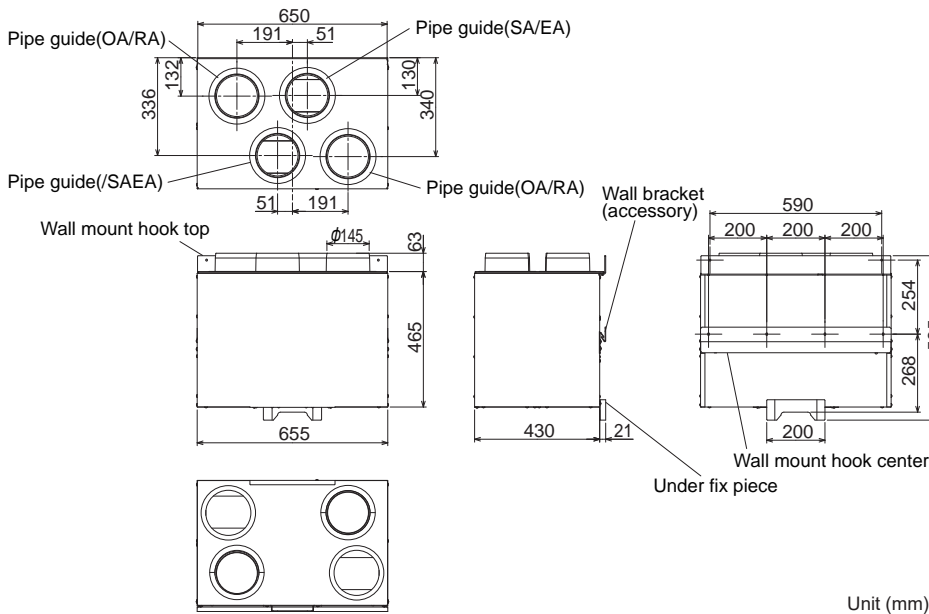
Wall bracket: 1



Heat insulating materials: 4



P-350SB-E



3. Installation Procedure



WARNING

Select a place which is strong enough to support the product, and install the product securely. Injury could result if parts fall.



CAUTION

Install the product in the indoor side of the insulation layer/ airtight layer.

When installed on the outdoor side of the heat insulating layer, the temperature of the heat-exchanged air will drop and condensation will form, which will cause the floor to get wet.

The products should be attached to a vertical and flat surface.

The products may not be properly mounted and may cause deformation of the product.

Transportation and installation of the product is carried out by two or more people.

Cause of damage or injury of the product due to product fall.

Wear gloves when installing.

Failure to heed this warning may result in injury.

Note

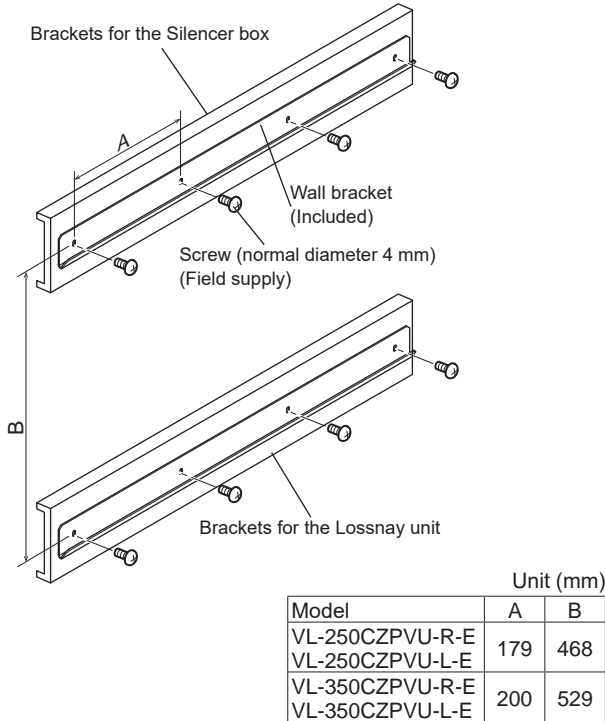
- The product is designed for wall mounting, only on a solid wall. (Wall strength is needed more than 250 kg/m².)

- A gypsum block or stud/plasterboard wall will not suffice.

3.1 Installing the wall brackets for the Lossnay unit and Silencer box

Install the wall bracket for the Lossnay unit using the lower four holes, and the wall bracket for the Silencer box using the upper four holes.

Fix the wall bracket (Included) to the wall, ensuring it is located horizontally. Mark the fixing points through the pre-drilled holes in the bracket, and tighten the screws (normal diameter 4 mm), ensuring the interlock side is at the bottom.

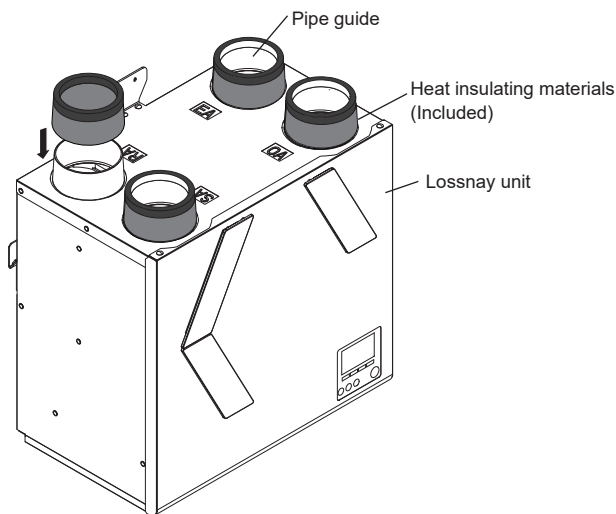


3.2 Mounting the Lossnay unit

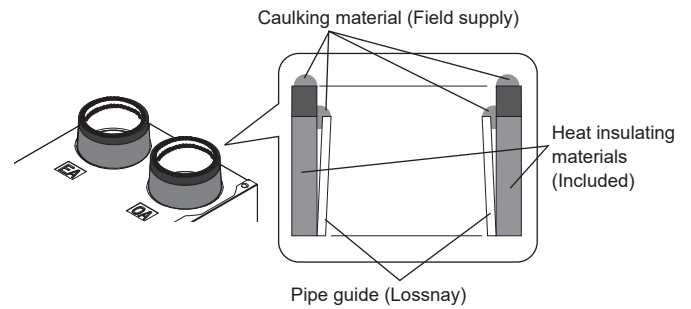
See 4. Installation Procedure in the Installation Manual for the Lossnay unit.

3.3 Mounting the Silencer box

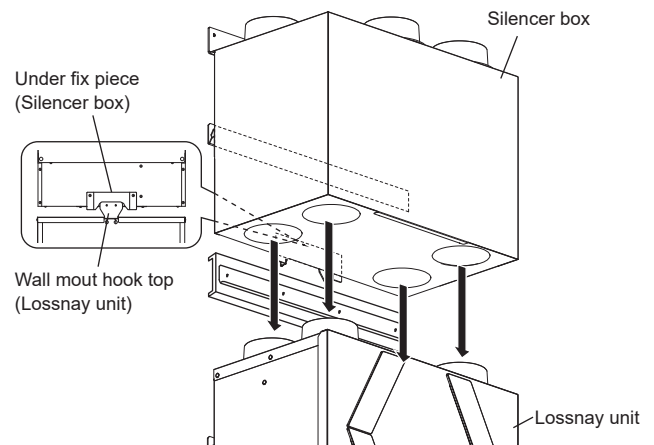
- 1) Fit the heat insulating materials (Included) onto the pipe guides of the Lossnay unit. Stick the adhesive surface of the heat insulating material to the Lossnay unit.



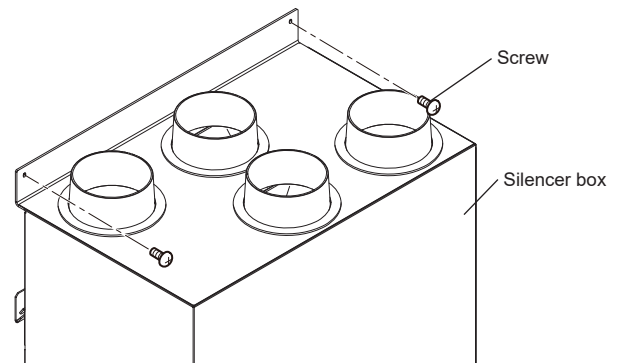
- 2) Apply a good amount of a caulking material (liberally) to the pipe guides and heat insulating materials. Insufficient application may cause water leakage and air leakage.



- 3) Place the Silencer box while aligning the position of the connection ports at the bottom of the Silencer box with the pipe guides of the Lossnay unit. Make sure that the under fix piece of the Silencer box touches the wall mount hook top of the Lossnay unit.



- 4) Fix the Silencer box with the two screws.



3.4 Connecting the pipes

3.4.1 Piping Ducts



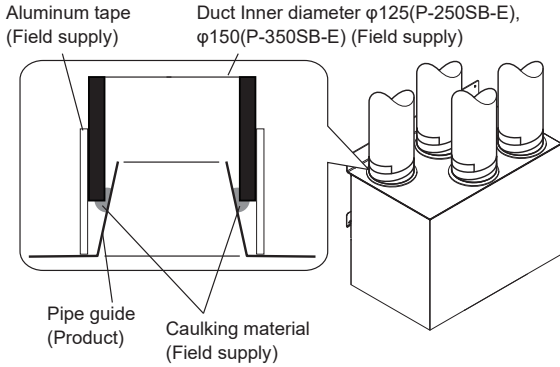
WARNING
Install the ducts in the indoor side of the insulation layer/ airtight layer.

When installed on the outdoor side of the heat insulating layer, the temperature of the heat-recovered air will drop and condensation will form, which will cause the floor to get wet.

Secure duct piping with commercially available fixing bands, aluminum tape, etc. to prevent piping from loose. Install outdoor piping from the product so that it is tilted at a downward pitch of at least 1/30 towards the outside. Failure to heed this warning may cause rain penetration, resulting in electric shock/fire or water damage to household property.

Note

- When discharging the air from a bathroom, use ducts made of a material that does not allow water to leak.
- When using PVC ducts or metal ducts for the SA side ducts, make sure to connect ducts having silencer before the grill.
- The duct for exhaust from the bathroom and the pipe guide should be sealed with caulking material.
- When using caulking material, take care to prevent it from oozing from the ducts. (Otherwise, it could cause aluminum tape to peel off.)
- Before connecting the ducts, make sure that there are no metal chips or other foreign matter (For example paper or vinyl) inside the ducts or inside the product.

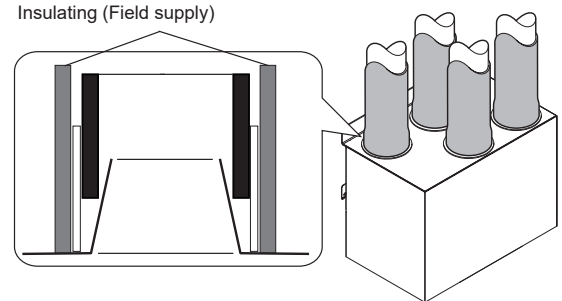


3.4.2 Insulating the ducts



To prevent dew condensation, insulate the ducts and pipe guide. (glass wool 25 mm or equivalent) Make sure to insulate up to the base of pipe guide.

When the Lossnay is anticipated to be stopped for a long time, insulate the RA (Return Air) side ducts also. (i.e. not operated for 24 hours). Indoor humidity can cause condensation because exposed parts can become cold in winter.



Note

- Attach insulation so that the aluminum tape is not exposed.

■ Post-installation Checks

When you have finished installation work, perform trial operation following the installation manual of the Lossnay unit, and check for air leakage or abnormal vibration from the joint parts of the Lossnay unit and silencer box. Inspect the following items according to the following Check list before turning the power on. Make sure to correct any malfunctions that are found. (The functions is not being demonstrated or safety can not be ensured)

	Check Item	Remedy for Malfunction	Check
Installation of the product	Are the Lossnay, silencer box and the duct piping installed on the indoor side of the insulation layer/airtight layer?	Install them on the indoor side of the insulation layer/airtight layer.	
	Are the Lossnay and silencer box installed within $\pm 1^\circ$ of the horizontal?	Install within $\pm 1^\circ$ of the horizontal	
	Are the joint parts of the Lossnay unit and silencer box sufficiently caulked? (Insufficient caulking may cause water leakage, sound leakage, and air leakage.)	Caulk the joint parts sufficiently.	
Duct connections	Is the outdoor side duct installed tilted 1/30 or more towards the outside to prevent rain water from entering?	Install the duct tilted	
	Are there metal chips or other foreign matter (for example paper or vinyl) inside the product or the ducts?	Remove any foreign matter.	
	Are ducts insulated down to their base? * See 3.4.2 Insulating the ducts at 3. Installation Procedure.	Insulate	
	Are ducts connected to the product? (Air leakage causes dew condensation.)	Securely connect the ducts	