

## LOSSNAY HEAT RECOVERY VENTILATOR SYSTEM COMPONENT

### STANDARD REPLACEMENT FILTER

MODEL

**P-220F-E** 2 pieces

 MODEL  
CODE **5KA504**

 Applicable Model  
VL-220CZGV-E

**Instruction Manual**
**For user**

Use this standard replacement filter to replace the supply air filter and the exhaust air filter installed in the Lossnay unit.

■ Please read the manual carefully before use.

## Safety precautions

The following symbols denote the type and degree of danger resulting from incorrect handling.



### WARNING

Incorrect handling of the product may result in serious injury or death.


 Follow  
instructions

**Be sure to turn off the remote controller and the circuit breaker on the power board before replacement and cleaning.**

Working while the product is energized may result in electric shock or injury.



### CAUTION

Incorrect handling of the product may result in injury or damage to property or household effects.


 Follow  
instructions

**Wear gloves during replacement and cleaning.**  
Failure to heed this warning may result in injury.

**Securely install the parts after replacement and cleaning.**  
Injury may result if the parts should fall.

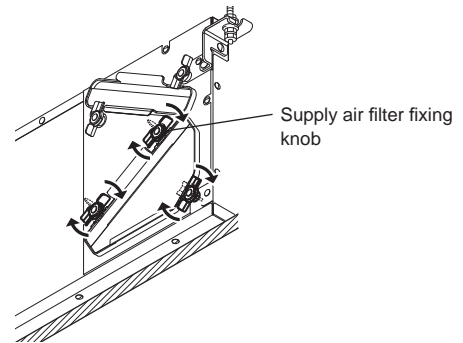
**During replacement and cleaning, do not stand on anything that is unstable.**

Injury may result if you tumble down.

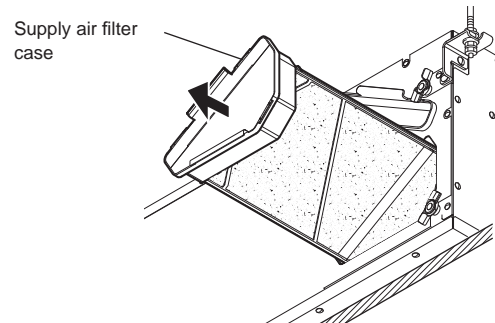
## How to replace the filter

### Remove the filter cases.

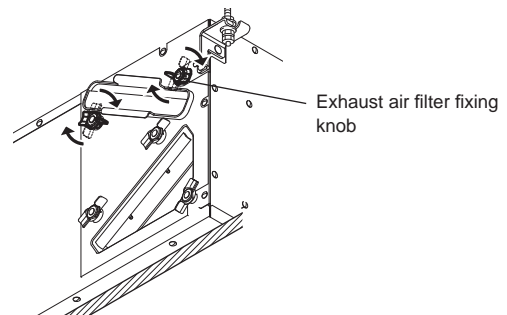
- (1) Set the ON/OFF button on the remote controller to "OFF."
- (2) Turn the three supply air filter fixing knobs to unlock the knobs.



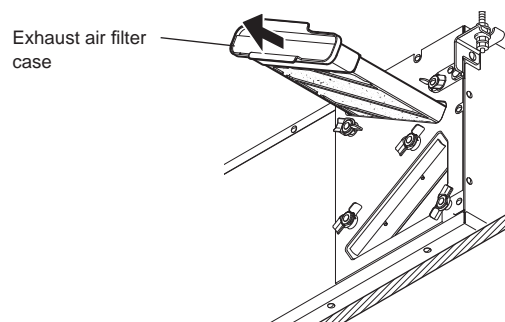
- (3) Gently draw out the supply air filter case.



- (4) Turn the two exhaust air filter fixing knobs to unlock the knobs.



- (5) Gently draw out the exhaust air filter case.



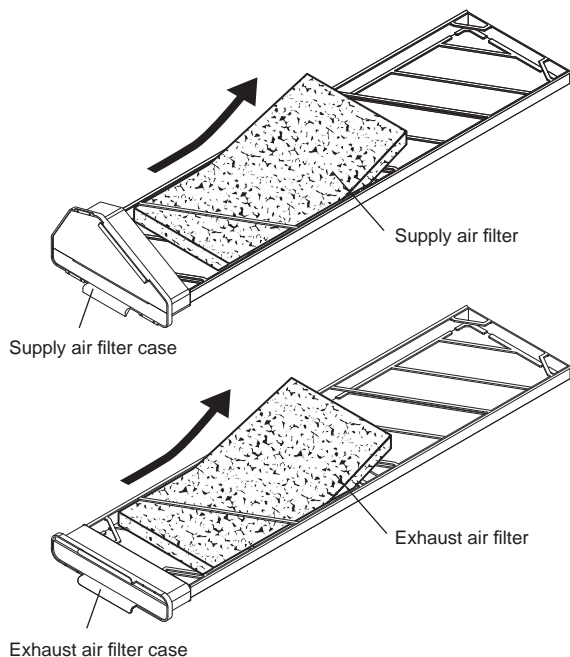
### Note:

- Dirt or dust may fall when the filter cases are removed. Also, dew condensation water sometimes builds up in some operating environments. Remove the filter cases gently by supporting them with both hands so that they are not tilted while taking care not to spill or be splashed with dew condensation water.

## Remove the air filters from the supply air filter case and the exhaust air filter case.

Supply air filter: 2 pieces

Exhaust air filter: 2 pieces



## Install the standard replacement filters in the supply air filter case and exhaust air filter case.

### Note:

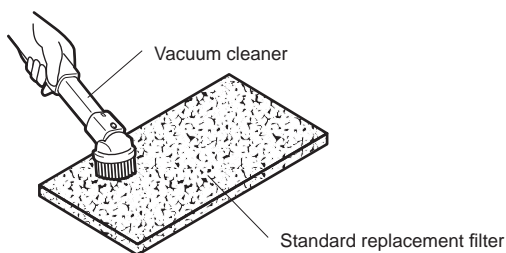
- Install the standard replacement filters so that they do not protrude from the filter cases of the Lossnay unit.

## How to clean

Clean at least once every six months.

Either lightly tap with your hand or wipe off dust with a vacuum cleaner.

If a filter is heavily soiled, press and wash the filter with cold or warm water (40 °C or less), and then let it dry sufficiently.



### Note:

- When a filter is damaged or has been washed with water about four times, replace it.
- After replacing the filters, dispose of the used filters in accordance with disposal method designated in the region where you live.
- Supply air filters and exhaust air filters are made of PET and acrylic fibers.

## Assembling and checking after replacement

### ⚠ CAUTION

Securely install the parts after replacement and cleaning.

Injury may result if the parts should fall.

1. Install the supply air filter case in the unit.
2. Turn the three supply air filter knobs to secure the knobs to the Lossnay unit.
3. Install the exhaust air filter case to the Lossnay unit.
4. Turn the two exhaust air filter knobs to secure the knobs to the Lossnay unit.
5. After installation, set the ON/OFF button on the remote controller to "ON."
6. Check the product according to "Assembling and checking after cleaning and maintenance" in the instruction manual of the Lossnay unit.

### Note:

- In some operating environments, dew condensation water or snow/mist water droplets may adhere to the filters. This, however, does not cause a problem with product performance or quality.
- Do not forget to install the filters inside the Lossnay unit. (Doing so results in dirt clogging the surface of the Lossnay core or a drop in fan speed.)
- Use filters (sold separately) to suit your specific application if you are worried about small insects getting inside or small dirt or dust particles.

Type	Model	Approximate Service Life	Remarks
High Efficiency Supply Air Filter (contains two pieces)	P-220SHF-E	1 year (replacement) Cannot be cleaned	Can be replaced with supply air filter. (M6 class, EN779:2012)
Medium Efficiency Exhaust Air Filter (contains two pieces)	P-220EMF-E	2 years (replacement) Clean approximately once every 6 months	Can be replaced with exhaust air filter. (G4 class, EN779:2012)

- For inquiries regarding handling, cleaning, and other matters, consult your dealer.

Manufactured by: **MITSUBISHI ELECTRIC CORPORATION**

TOKYO BLDG. 2-7-3, MARUNOUCHI, CHIYODA-KU, TOKYO, 100-8310 JAPAN

Importer in EU: MITSUBISHI ELECTRIC EUROPE B.V.

HARMAN HOUSE, 1 GEORGE STREET, UXBRIDGE, MIDDLESEX, UB8 1QQ, U.K.

1508876HC9701