

LOSSNAY HEAT RECOVERY VENTILATOR SYSTEM COMPONENT

MEDIUM EFFICIENCY EXHAUST AIR FILTER

MODEL

P-220EMF-E 2 pieces

 MODEL CODE **5KA503**

 Applicable Model
 VL-220CZGV-E
 VL-220CZGV-EB
 VL-220CZGV-EF

Instruction Manual

For user

Use this medium efficiency exhaust air filter to replace the exhaust air filter installed in the Lossnay unit. The filter removes more fine particles than the exhaust air filter.

- Do not wash the filter with water.
- Please read the manual carefully before use.

Safety precautions

The following symbols denote the type and degree of danger resulting from incorrect handling.



WARNING

Incorrect handling of the product may result in serious injury or death.



Follow instructions

Be sure to turn off the remote controller and the circuit breaker on the power board before replacement and cleaning.

Working while the product is energized may result in electric shock or injury.



CAUTION

Incorrect handling of the product may result in injury or damage to property or household effects.



Follow instructions

Wear gloves during replacement and cleaning. Failure to heed this warning may result in injury.

Securely install the parts after replacement and cleaning. Injury may result if the parts should fall.

During replacement and cleaning, do not stand on anything that is unstable.

Injury may result if you tumble down.

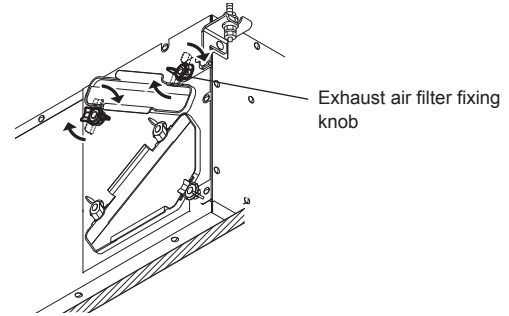
How to replace the medium efficiency exhaust air filter

Replacement interval: Approx. two years

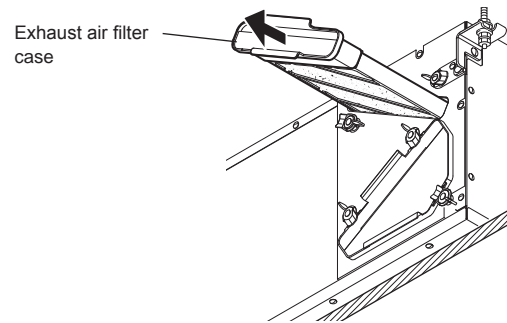
(The replacement interval differs depending on the operating environment.)

Remove the exhaust air filter case.

- (1) Set the ON/OFF button on the remote controller to "OFF."
- (2) Turn the two exhaust air filter fixing knobs to unlock the knobs.



- (3) Gently draw out the exhaust air filter case.

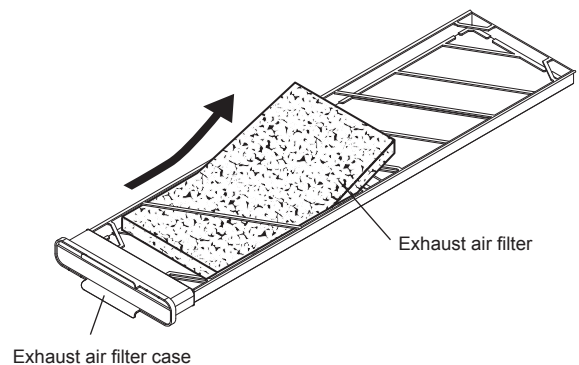


Note:

- Dirt or dust may fall when the exhaust air filter case is removed. Also, dew condensation water sometimes builds up in some operating environments. Remove the filter case gently by supporting it with both hands so that it is not tilted while taking care not to spill or be splashed with dew condensation water.

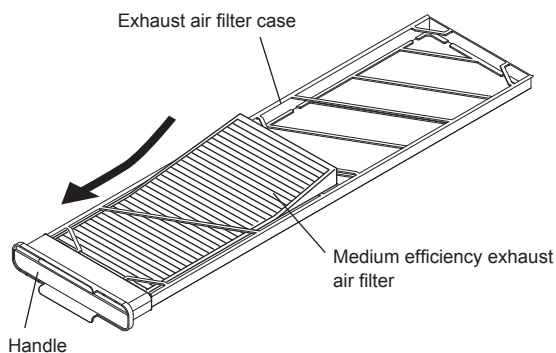
Remove the exhaust air filter from the exhaust air filter case.

Exhaust air filter: 2 pieces

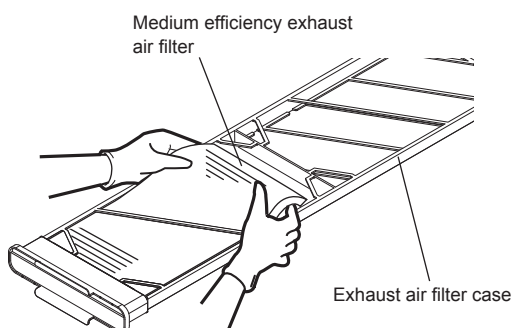


Install the medium efficiency exhaust air filter in the exhaust air filter case.

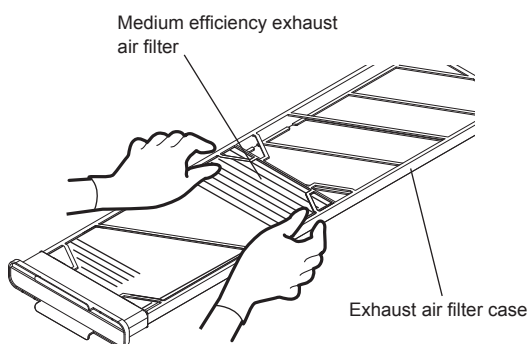
- (1) Insert the medium efficiency exhaust air filter while facing the handle side of the exhaust air filter case.



- (2) Bend the medium efficiency exhaust air filter and insert both corners into the exhaust air filter case as shown in the figure.



- (3) Push the medium efficiency exhaust air filter all the way into the exhaust air filter case.



- (4) Install the second piece with the same procedure.

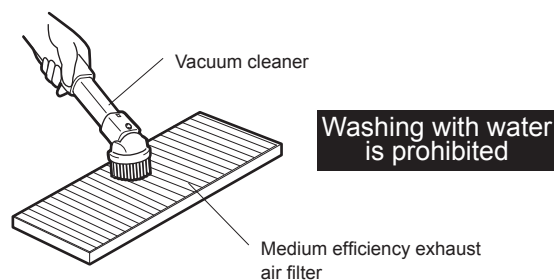
Note:

- Do not mix up the supply air filter and the exhaust air filter. Check that "Exhaust air filter" is indicated on the medium efficiency exhaust air filter side surface.
- The medium efficiency exhaust air filter has no front and back.
- Install the medium efficiency exhaust air filter so that it does not protrude from the filter case of the Lossnay unit.

How to clean

Clean at least once every six months.

Either lightly tap with your hand or suck up the dust with a vacuum cleaner.



Note:

- Never wash the medium efficiency exhaust air filter with cold or hot water. (Doing so will deform or damage the medium efficiency exhaust air filter.)
- Be careful not to damage the filter with the vacuum cleaner.
- Be careful not to damage the filter as it is soft.
- After replacing the filter, dispose of the used filter in accordance with disposal method designated in the region where you live.
- The medium efficiency exhaust air filter is made of polypropylene and polyester.

Assembling and checking after replacement

⚠ CAUTION

Securely install the parts after replacement and cleaning.

Injury may result if the parts should fall.

1. Install the exhaust air filter case to the Lossnay unit.
2. Turn the two exhaust air filter knobs to secure the knobs to the Lossnay unit.
3. After installation, set the ON/OFF button on the remote controller to "ON."
4. Check the product according to "Assembling and checking after cleaning and maintenance" in the instruction manual of the Lossnay unit.

Note:

- In some operating environments, dew condensation water may adhere to the filter. This, however, does not cause a problem with product performance or quality.
- Do not forget to install the filter inside the Lossnay unit. (Doing so results in dirt clogging the surface of the Lossnay element or a drop in fan speed.)
- For inquiries regarding handling, cleaning, and other matters, consult your dealer.

Manufactured by: **MITSUBISHI ELECTRIC CORPORATION**

TOKYO BLDG. 2-7-3, MARUNOUCHI, CHIYODA-KU, TOKYO, 100-8310 JAPAN

Importer in EU: MITSUBISHI ELECTRIC EUROPE B.V.

HARMAN HOUSE, 1 GEORGE STREET, UXBRIDGE, MIDDLESEX, UB8 1QQ, U.K.

1712876HC9602