

Revision B:

• Outdoor control P.C. boards for MXZ-3D54VA- **E1**, MXZ-3D68VA- **E1**, and MXZ-4D72VA- **E1** have been changed.
Please void OBB626 REVISED EDITION-A.

OUTDOOR UNIT PARTS CATALOG



**No. OBB626
REVISED EDITION-B**

Models

MXZ-2D33VA - E1

MXZ-4D83VA - E1

MXZ-2D40VA - E1

MXZ-5D102VA - E1

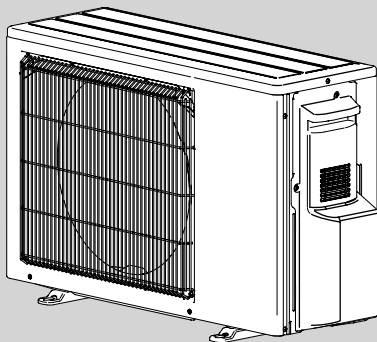
MXZ-2D53VA - E1

MXZ-2D53VAH - E1

MXZ-3D54VA - E1

MXZ-3D68VA - E1

MXZ-4D72VA - E1



**MXZ-2D33VA
MXZ-2D40VA
MXZ-2D53VA MXZ-2D53VAH**

CONTENTS

1. RoHS PARTS LIST.....2.....
2. OPTIONAL PARTS.....BACK COVER

SERVICE MANUAL (OBH626)

NOTE:
RoHS compliant products have <G> mark on the spec name plate.



Revision A:

• MXZ-3D54VA- [E1], MXZ-3D68VA- [E1], MXZ-4D72VA- [E1], MXZ-4D83VA- [E1] and MXZ-5D102VA- [E1] have been added.

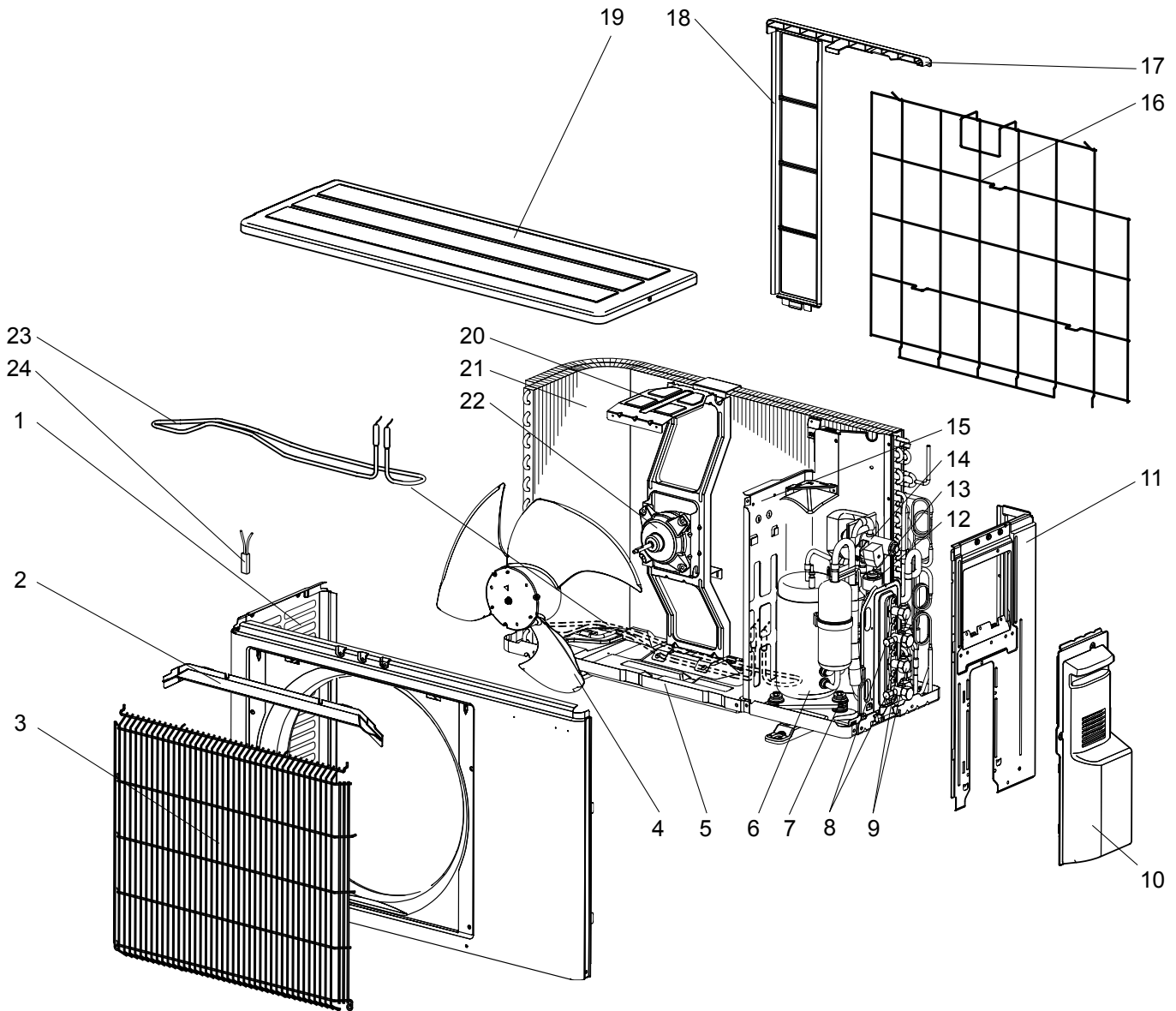
Revision B:

• Outdoor control P.C. boards for MXZ-3D54VA- [E1], MXZ-3D68VA- [E1], and MXZ-4D72VA- [E1] have been changed.

1 RoHS PARTS LIST

MXZ-2D33VA MXZ-2D40VA MXZ-2D53VA MXZ-2D53VAH

1-1. OUTDOOR UNIT STRUCTURAL PARTS AND FUNCTIONAL PARTS



RoHS PARTS LIST

MXZ-2D33VA MXZ-2D40VA MXZ-2D53VA MXZ-2D53VAH

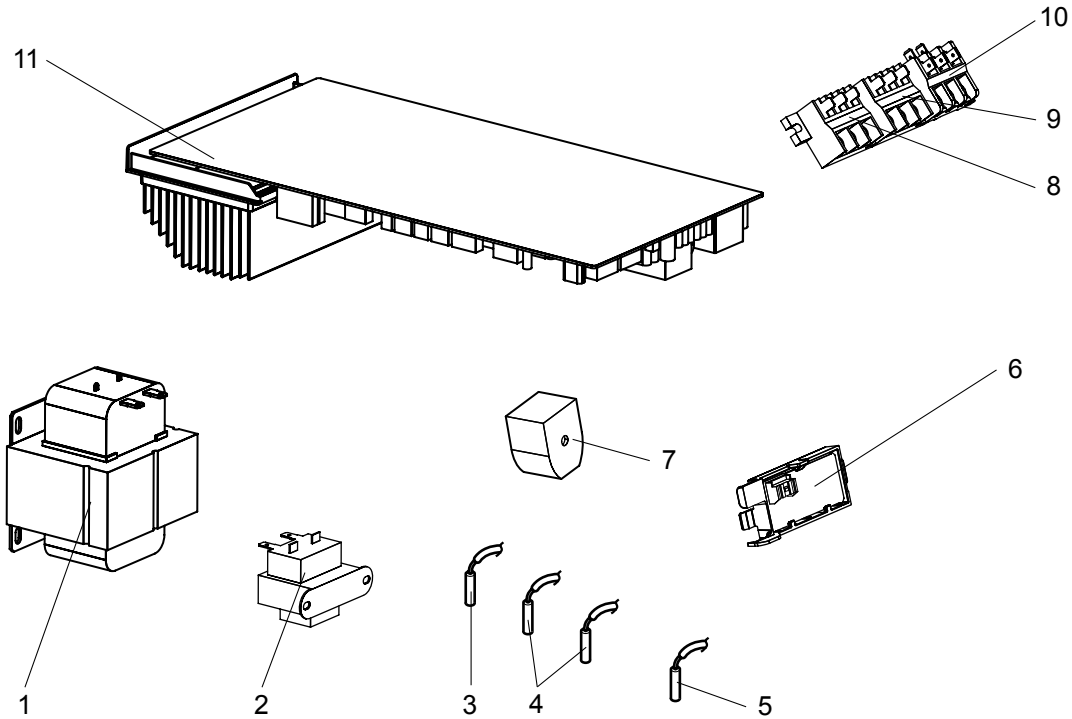
1-1. OUTDOOR UNIT STRUCTURAL PARTS AND FUNCTIONAL PARTS

Part numbers that are circled are not shown in the illustration.

No.	RoHS	Parts No.	Parts Name	Symbol In Wiring Diagram	Q'ty/unit				Remarks
					MXZ-				
					2D33VA - [E1]	2D40VA - [E1]	2D53VA - [E1]	2D53 VAH - [E1]	
1	G	E12 J63 232	CABINET		1		1	1	
	G	E12 J64 232	CABINET			1			
2	G	E12 J63 531	ICE GUARD		1	1	1	1	
3	G	E12 J63 521	GRILLE		1	1	1	1	
4	G	E12 927 501	PROPELLER		1	1	1	1	
	G	E12 J63 290	BASE		1		1		
	G	E12 J64 290	BASE			1			
5	G	E12 J66 290	BASE					1	
	G	E12 D69 900	COMPRESSOR	MC	1				KNB073FFDHC
	G	E12 F24 900	COMPRESSOR	MC		1			KNB092FFDHC
6	G	E12 E05 900	COMPRESSOR	MC			1	1	SNB130FGBHT
	G	E12 065 506	COMPRESSOR RUBBER SET		3	3			3 RUBBERS/SET
	G	E12 C34 506	COMPRESSOR RUBBER SET				3	3	3 RUBBERS/SET
8	G	E12 927 661	STOP VALVE (GAS) 3/8		2	2	2	2	Ø9.52
9	G	E12 927 662	STOP VALVE (LIQUID) 1/4		2	2	2	2	Ø6.35
10	G	E12 J63 245	SERVICE PANEL		1	1	1	1	
11	G	E12 J63 233	BACK PANEL		1	1	1	1	
12	G	E12 735 640	EXPANSION VALVE		1	1	1	1	ROOM B
13	G	E12 F25 493	EXPANSION VALVE COIL	LEV B	1	1	1	1	
14	G	E12 A47 961	4-WAY VALVE				1	1	
	G	E12 927 961	4-WAY VALVE		1	1			
15	G	E12 G10 293	SEPARATOR		1				
	G	E12 G11 293	SEPARATOR			1	1		
	G	E12 G14 293	SEPARATOR					1	
16	G	E12 G04 523	CONDENSER NET		1				
	G	E12 G05 523	CONDENSER NET			1			
	G	E12 G06 523	CONDENSER NET				1		
17	G	E12 930 525	CONDENSER WIRE NET					1	
18	G	E12 930 523	CONDENSER NET					1	
19	G	E12 J63 297	TOP PANEL		1	1	1	1	
20	G	E12 927 515	MOTOR SUPPORT		1				
	G	E12 929 515	MOTOR SUPPORT			1	1	1	
21	G	E12 G04 630	OUTDOOR HEAT EXCHANGER		1				
	G	E12 G05 630	OUTDOOR HEAT EXCHANGER			1			
	G	E12 G06 630	OUTDOOR HEAT EXCHANGER				1	1	
22	G	E12 G11 301	OUTDOOR FAN MOTOR	MF	1	1	1	1	RC0J50-□□
23	G	E12 C36 526	DEFROST HEATER	H				1	
24	G	E12 C36 381	HEATER PROTECTOR	26H				1	
②⑤	G	E12 339 936	CAPILLARY TUBE			4	4	4	Ø3.0 × Ø1.4 × 600
	G	E12 838 936	CAPILLARY TUBE		2	2	2	2	Ø3.0 × Ø2.0 × 200
②⑥	G	E12 735 640	EXPANSION VALVE		1	1	1	1	ROOM A
②⑦	G	E12 F24 493	EXPANSION VALVE COIL	LEV A	1	1	1	1	

RoHS PARTS LIST

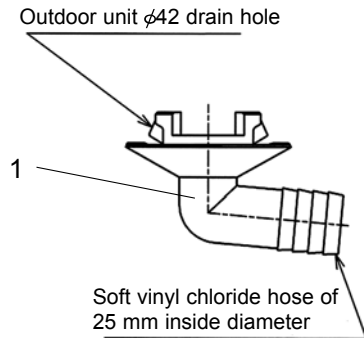
MXZ-2D33VA MXZ-2D40VA MXZ-2D53VA MXZ-2D53VAH 1-2. OUTDOOR UNIT ELECTRICAL PARTS



No.	RoHS	Parts No.	Parts Name	Symbol In Wiring Diagram	Q'ty/unit				Remarks
					MXZ-				
					2D33VA - E1	2D40VA - E1	2D53VA - E1	2D53 VAH - E1	
1	G	E12 G11 337	REACTOR	ACL	1	1	1	1	10A 23μH
2	G	E12 J63 337	REACTOR	ACL2	1	1	1	1	2A 25μH
3	G	E12 C34 307	OUTDOOR HEAT EXCHANGER TEMPERATURE THERMISTOR	RT68	1	1	1	1	
4	G	E12 J63 308	THERMISTOR SET	RT61,62	1	1	1	1	DEFROST, DISCHARGE
5	G	E12 J63 309	AMBIENT TEMPERATURE THERMISTOR	RT65	1	1	1	1	
6	G	E12 J63 329	OUTDOOR DISPLAY P.C. BOARD		1	1	1	1	
7	G	E12 A47 490	R.V. COIL	21S4	1	1	1	1	
8	G	E12 935 374	TERMINAL BLOCK	TB2	1	1	1	1	Indoor unit connecting
9	G	E12 935 374	TERMINAL BLOCK	TB3	1	1	1	1	Indoor unit connecting
10	G	E12 F29 374	TERMINAL BLOCK	TB1	1	1	1	1	Power supply
11	G	E12 J63 451	INVERTER P.C. BOARD		1				Including heat sink and RT64
	G	E12 J64 451	INVERTER P.C. BOARD			1			Including heat sink and RT64
	G	E12 J65 451	INVERTER P.C. BOARD				1		Including heat sink and RT64
	G	E12 J66 451	INVERTER P.C. BOARD					1	Including heat sink and RT64

RoHS PARTS LIST

MXZ-2D33VA MXZ-2D40VA MXZ-2D53VA MXZ-2D53VAH
 1-3. DRAIN SOCKET

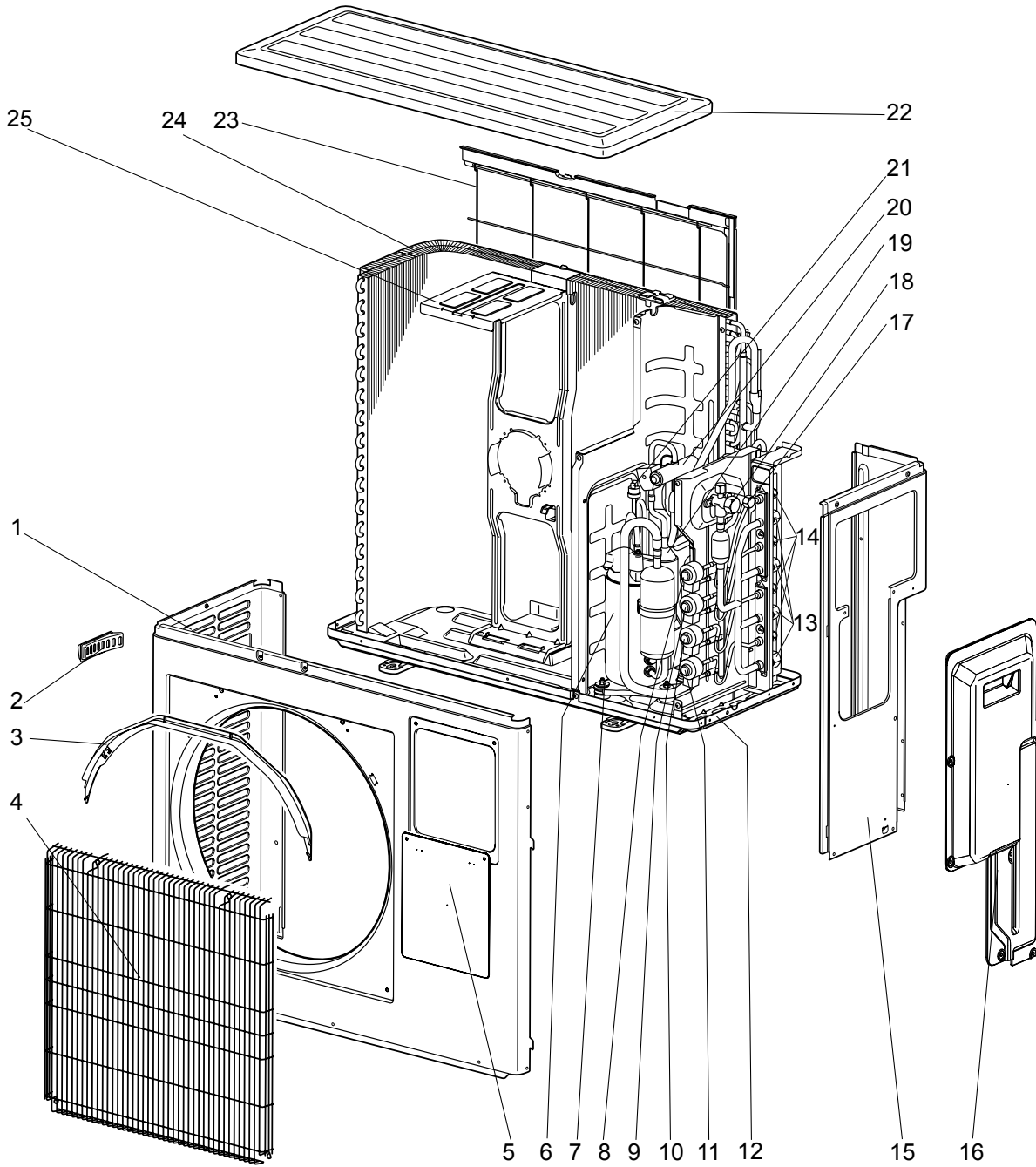


No.	RoHS	Parts No.	Parts Name	Symbol In Wiring Diagram	Q'ty/unit				Remarks
					MXZ-				
					2D33VA - E1	2D40VA - E1	2D53VA - E1	2D53 VAH - E1	
1	G	E12 838 704	DRAIN SOCKET		1	1	1		

RoHS PARTS LIST

MXZ-3D54VA MXZ-3D68VA MXZ-4D72VA

1-4. OUTDOOR UNIT STRUCTURAL PARTS AND FUNCTIONAL PARTS



RoHS PARTS LIST

MXZ-3D54VA MXZ-3D68VA MXZ-4D72VA

1-4. OUTDOOR UNIT STRUCTURAL PARTS AND FUNCTIONAL PARTS

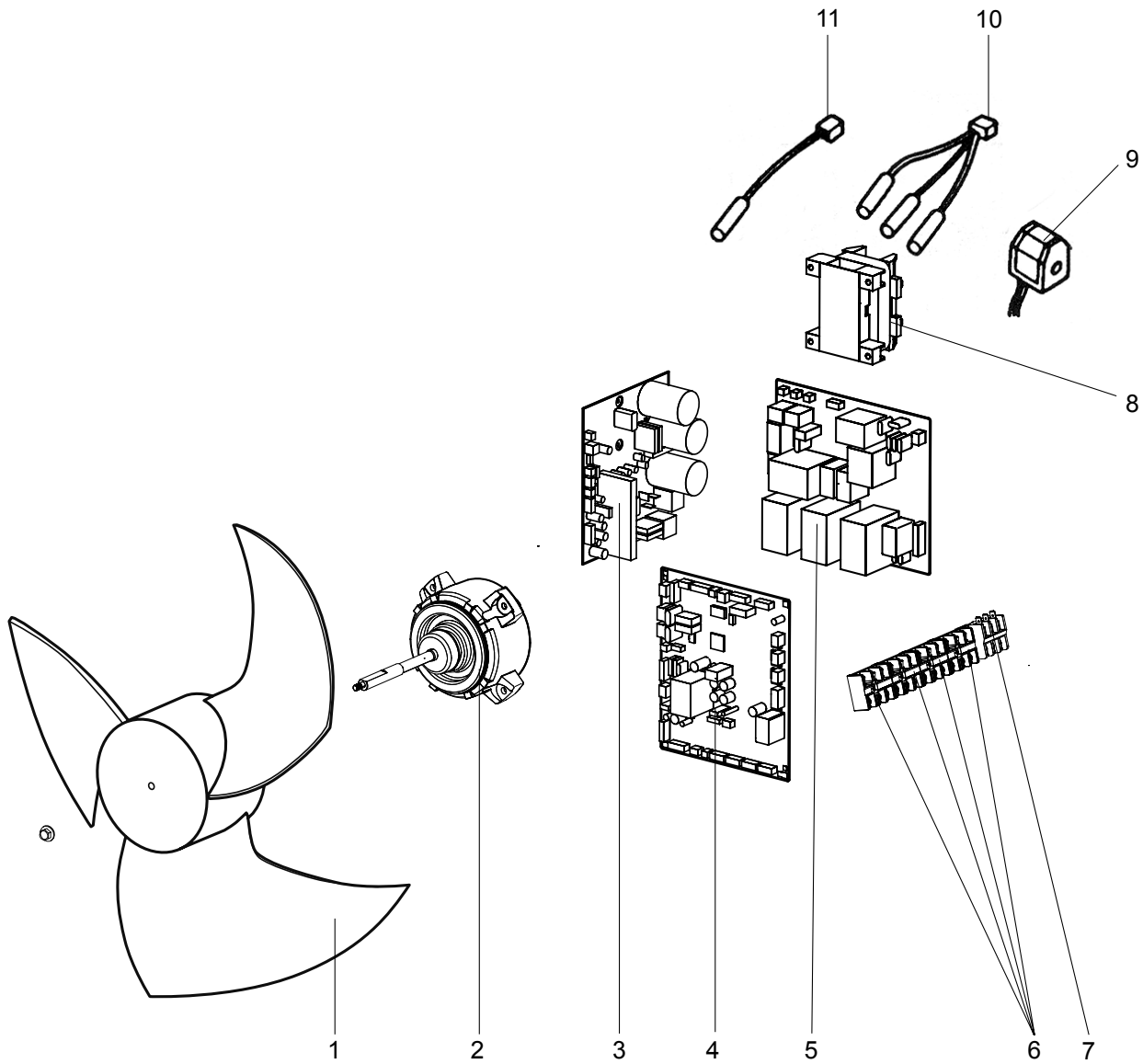
Part numbers that are circled are not shown in the illustration.

No.	RoHS	Parts No.	Parts Name	Symbol In Wiring Diagram	Q'ty/unit			Remarks
					MXZ-			
					3D54VA - E1	3D68VA - E1	4D72VA - E1	
1	G	E12 J69 232	CABINET		1	1	1	
2	G	E12 817 009	HANDLE		1	1	1	
3	G	E12 J69 531	ICE GUARD		1	1	1	
4	G	E12 J69 521	GRILLE		1	1	1	
5	G	E12 D36 246	SUB PANEL		1	1	1	
6	G	E12 F22 900	COMPRESSOR	MC		1	1	SNB172FEGH1T
	G	E12 F10 900	COMPRESSOR	MC	1			SNB130FGBH1T
7	G	E12 C34 506	COMPRESSOR RUBBER SET		3	3	3	3RUBBERS SET
8	G	E12 851 640	EXPANSION VALVE				1	D room
	G	E12 F21 493	LEV COIL	LEV D			1	D room
9	G	E12 851 640	EXPANSION VALVE		1	1	1	C room
	G	E12 F20 493	LEV COIL	LEV C	1	1	1	C room
10	G	E12 851 640	EXPANSION VALVE		1	1	1	B room
	G	E12 F54 493	LEV COIL	LEV B	1	1	1	B room
11	G	E12 851 640	EXPANSION VALVE		1	1	1	A room
	G	E12 F15 493	LEV COIL	LEV A, E	2	2	2	A, room, LEV E
12	G	E12 J69 290	BASE		1	1	1	
13	G	E12 D36 666	UNION(GAS)		3	3	3	Ø9.52
	G	E12 D37 666	UNION(GAS)				1	Ø12.7
14	G	E12 D36 667	UNION(LIQUID)		3	3	4	Ø6.35
15	G	E12 J69 233	BACK PANEL		1			
	G	E12 J70 233	BACK PANEL			1	1	
16	G	E12 J69 245	SERVICE PANEL		1	1	1	
17	G	E12 D36 662	STOP VALVE (LIQUID) 3/8		1	1	1	Ø9.52
18	G	E12 D36 661	STOP VALVE (GAS) 5/8		1	1	1	Ø15.88
19	G	E12 J69 299	OIL SEPARATOR		1	1	1	
20	G	E12 C18 961	4-WAY VALVE		1	1	1	
21	G	E12 853 646	HIGH PRESSURE SWITCH	HPS		1	1	
22	G	E12 819 297	TOP PANEL		1	1	1	
23	G	E12 J69 523	REAR GUARD		1	1	1	
24	G	E12 939 630	OUTDOOR HEAT EXCHANGER		1	1	1	
25	G	E12 J69 515	MOTOR SUPPORT		1	1	1	
②6	G	E12 938 937	CAPILLARY TUBE		8	8	8	Ø3.6 × Ø2.4 × 500
②7	G	E12 939 936	CAPILLARY TUBE		3	3	4	Ø4.0 × Ø2.8 × 100
②8	G	E12 938 936	CAPILLARY TUBE		1	1	1	Ø2.5 × Ø0.6 × 1000
②9	G	E12 C18 959	POWER RECEIVER		1	1	1	
③0	G	E12 853 640	EXPANSION VALVE		1	1	1	E

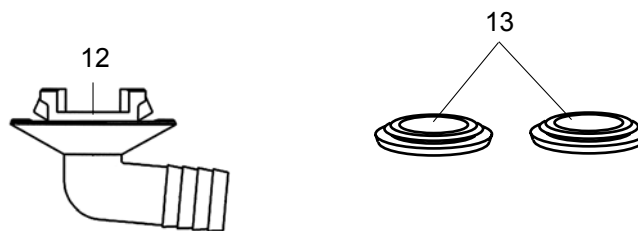
RoHS PARTS LIST

MXZ-3D54VA MXZ-3D68VA MXZ-4D72VA

1-5. OUTDOOR UNIT FUNCTIONAL PARTS AND ELECTRICAL PARTS



1-6. ACCESSORY



RoHS PARTS LIST

MXZ-3D54VA MXZ-3D68VA MXZ-4D72VA

1-5. OUTDOOR UNIT FUNCTIONAL PARTS AND ELECTRICAL PARTS

No.	RoHS	Parts No.	Parts Name	Symbol In Wiring Diagram	Q'ty/unit			Remarks
					MXZ-			
					3D54VA - E1	3D68VA - E1	4D72VA - E1	
1	G	E12 851 501	PROPELLER		1	1	1	
2	G	E12 J69 301	OUTDOOR FAN MOTOR	MF	1	1	1	SIC-71FW-F764-1
3	G	E12 J69 440	OUTDOOR POWER P.C. BOARD		1	1	1	Including heat sink and RT64
4	G	E12 K76 450	OUTDOOR CONTROL P.C. BOARD		1			
	G	E12 K77 450	OUTDOOR CONTROL P.C. BOARD			1		
	G	E12 K78 450	OUTDOOR CONTROL P.C. BOARD				1	
5	G	E12 J69 444	NOISE FILTER P.C. BOARD		1	1	1	
6	G	E12 C92 375	TERMINAL BLOCK	TB2~5	3	3	4	Indoor unit connecting
7	G	E12 G07 374	TERMINAL BLOCK	TB1	1	1	1	Power supply
8	G	E12 938 337	REACTOR	L	1	1	1	20A 600μH
9	G	E12 J69 490	R.V. COIL	21S4	1	1	1	
10	G	E12 J69 308	THERMISTOR SET	RT61,62,68	1	1	1	DEFROST, DISCHARGE, OUTDOOR HEAT EXCHANGER
11	G	E12 J69 309	AMBIENT TEMPERATURE THERMISTOR	RT65	1	1	1	

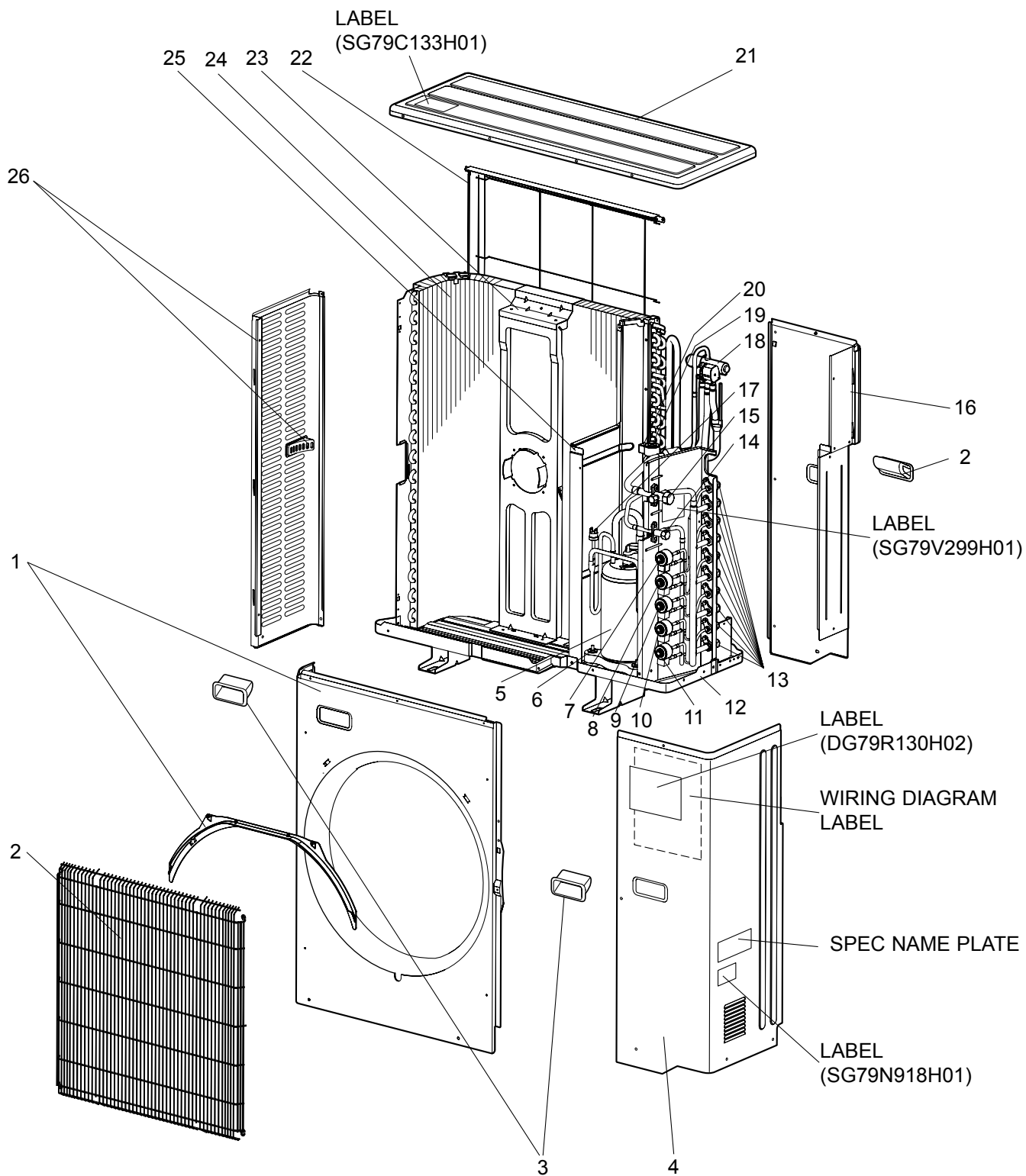
1-6. ACCESSORY

No.	RoHS	Parts No.	Parts Name	Symbol In Wiring Diagram	Q'ty/unit			Remarks
					MXZ-			
					3D54VA - E1	3D68VA - E1	4D72VA - E1	
12	G	E12 817 704	DRAIN SOCKET		1	1	1	
13	G	E12 444 705	DRAIN CAP		2	2	2	

RoHS PARTS LIST

MXZ-4D83VA MXZ-5D102VA

1-7. OUTDOOR UNIT STRUCTURAL PARTS AND FUNCTIONAL PARTS



RoHS PARTS LIST

MXZ-4D83VA MXZ-5D102VA

1-7. OUTDOOR UNIT STRUCTURAL PARTS AND FUNCTIONAL PARTS

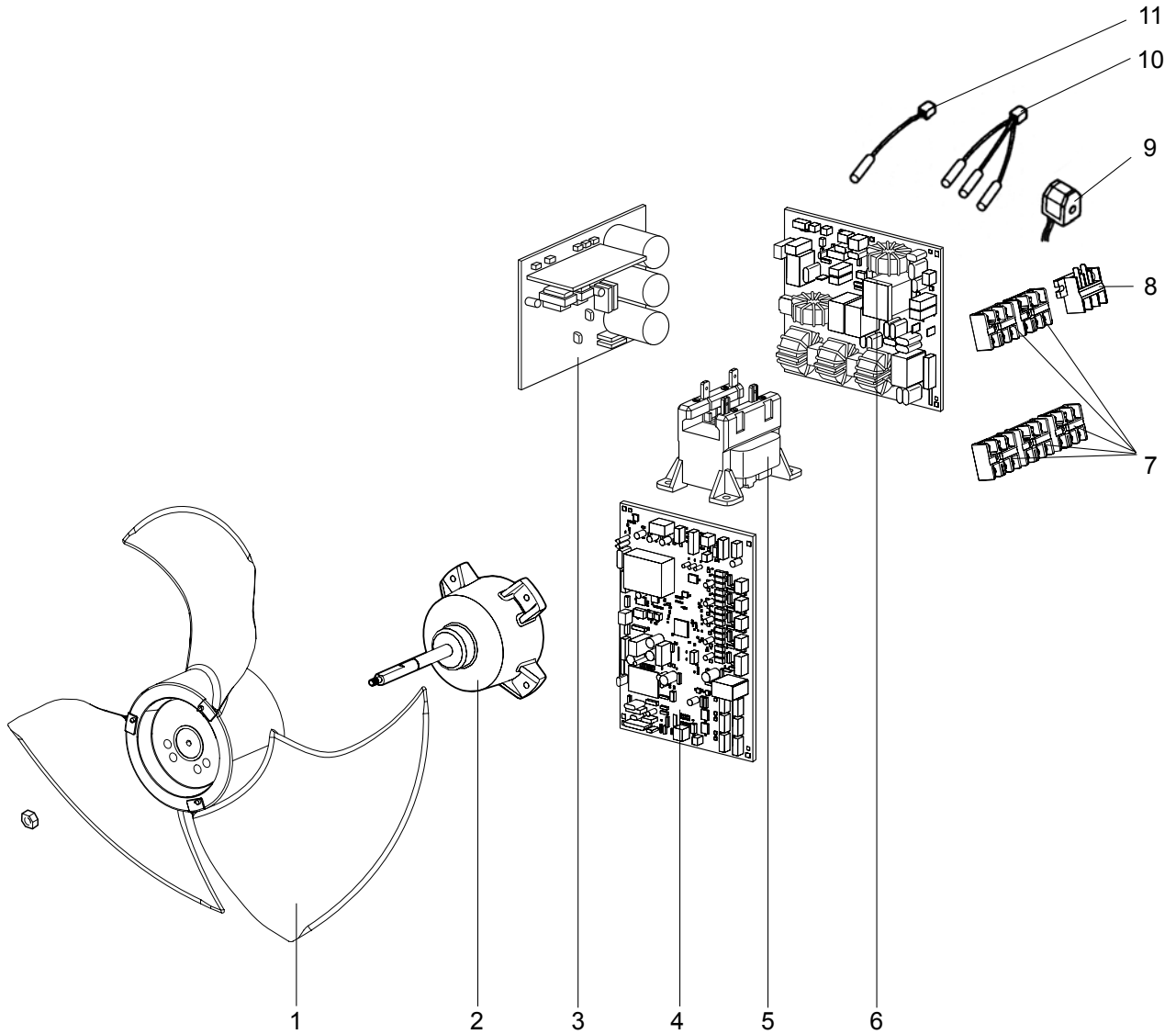
Part numbers that are circled are not shown in the illustration.

No.	ROHS	Parts No.	Parts Name	Symbol In Wiring Diagram	Q'ty/unit		Remarks
					MXZ-		
					4D83VA- [E1]	5D102VA- [E1]	
1	G	M21 EAA 232	FRONT PANEL		1	1	Including grille roof
2	G	M21 EA5 521	GRILLE		1	1	
3	G	M21 0A2 027	HANDLE ASSEMBLY		3	3	
4	G	M21 EA1 245	SERVICE PANEL		1	1	Without LABEL
5	G	T92 505 801	COMPRESSOR	MC	1	1	TNB220FMCH
6	G	M21 L2V 505	COMPRESSOR RUBBER SET		3	3	3RUBBERS SET
7	G	M21 L2V 401	EXPANSION VALVE			1	E room
	G	M21 9T4 655	LEV COIL	LEV E		1	E room
8	G	M21 L2V 401	EXPANSION VALVE		1	1	D room
	G	M21 9T4 654	LEV COIL	LEV D	1	1	D room
9	G	M21 L2V 401	EXPANSION VALVE		1	1	C room
	G	M21 9T4 653	LEV COIL	LEV C	1	1	C room
10	G	M21 L2V 401	EXPANSION VALVE		1	1	B room
	G	M21 9T4 652	LEV COIL	LEV B	1	1	B room
11	G	M21 L2V 401	EXPANSION VALVE		1	1	A room
	G	M21 9T4 651	LEV COIL	LEV A	1	1	A room
12	G	M21 EA5 290	BASE ASSEMBLY		1	1	
13	G	M21 0A2 644	UNION		1	1	Ø12.7, Ø9.52, Ø6.35 SET
14	G	M21 4N9 668	STOP VALVE (LIQUID) 3/8		1	1	Ø9.52
15	G	M21 4N0 667	STOP VALVE (GAS) 5/8		1	1	Ø15.88
16	G	M21 EA0 248	REAR PANEL		1	1	
17	G	M21 L2V 646	HIGH PRESSURE SWITCH	HPS	1	1	4.8 MPa (48.9 kg/cm ²)
18	G	M21 L2V 642	4-WAY VALVE		1	1	
19	G	M21 L2V 402	EXPANSION VALVE		1		F
	G	M21 0A2 402	EXPANSION VALVE			1	F
20	G	M21 9T6 651	LEV COIL	LEV F	1	1	
21	G	M21 EA1 297	TOP PANEL		1	1	Without LABEL
22	G	M21 EA1 523	REAR GUARD		1	1	
23	G	M21 6K8 515	MOTOR SUPPORT		1	1	
24	G	M21 EBE 630	OUTDOOR HEAT EXCHANGER		1	1	
25	G	M21 0A0 293	SEPARATOR		1	1	
26	G	M21 EA0 249	SIDE PANEL		1	1	Including handle
27	G	M21 EAA 959	POWER RECEIVER		1	1	
28	G	M21 0A2 937	CAPILLARY TUBE		2	2	Ø3.0 × Ø2.0 × 300
29	G	M21 0A2 936	CAPILLARY TUBE		4	5	Ø4.0 × Ø2.8 × 100
30	G	M21 L2V 938	CAPILLARY TUBE		1	1	Ø2.5 × Ø0.6 × 1000
31	G	M21 L2V 656	OIL SEPARATOR		1	1	

RoHS PARTS LIST

MXZ-4D83VA MXZ-5D102VA

1-8. OUTDOOR UNIT FUNCTIONAL PARTS AND ELECTRICAL PARTS



1-9. ACCESSORY

Outdoor unit $\phi 42$ drain hole

12

Soft vinyl chloride hose of
25 mm inside diameter

RoHS PARTS LIST

MXZ-4D83VA MXZ-5D102VA

1-8. OUTDOOR UNIT FUNCTIONAL PARTS AND ELECTRICAL PARTS

No.	RoHS	Parts No.	Parts Name	Symbol In Wiring Diagram	Q'ty/unit		Remarks
					MXZ-		
					4D83VA- [E1]	5D102VA- [E1]	
1	G	M21 EA0 501	PROPELLER		1	1	
2	G	M21 EA5 301	OUTDOOR FAN MOTOR	MF	1	1	RC0J60- □□
3	G	M21 EA3 440	OUTDOOR POWER P.C. BOARD		1	1	Including heat sink and RT64
4	G	T2W EKW 451	OUTDOOR CONTROL P.C. BOARD		1		
	G	T2W EKY 451	OUTDOOR CONTROL P.C. BOARD			1	
5	G	M21 9T7 337	REACTOR	L	1	1	20A 600μH
6	G	M21 9T5 424	NOISE FILTER P.C. BOARD		1	1	
7	G	T2W 0A2 376	TERMINAL BLOCK	TB2~6	4	5	Indoor unit connecting
8	G	T2W 9T4 377	TERMINAL BLOCK	TB1	1	1	Power supply
9	G	T2W L2V 398	R.V. COIL	21S4	1	1	
10	G	M21 L2V 308	THERMISTOR SET	RT61,62,68	1	1	DEFROST, DISCHARGE, OUTDOOR HEAT EXCHANGER
11	G	M21 0A2 309	AMBIENT TEMPERATURE THERMISTOR	RT65	1	1	

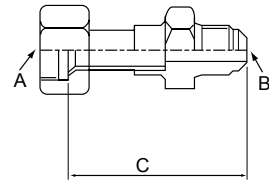
1-9. ACCESSORY

No.	RoHS	Parts No.	Parts Name	Symbol In Wiring Diagram	Q'ty/unit		Remarks
					MXZ-		
					4D83VA- [E1]	5D102VA- [E1]	
12	G	M21 8K9 709	DRAIN SOCKET		1	1	

2-1. DIFFERENT-DIAMETER PIPE

MXZ-2D53VA MXZ-2D53VAH MXZ-3D54VA MXZ-3D68VA MXZ-4D72VA MXZ-4D83VA MXZ-5D102VA	Model name	Connected pipes diameter	Diameter A	Diameter B	Diameter C
For different diameter pipes	MAC-A454JP	φ9.52 — φ12.7 (3/8) (1/2)	φ9.52 (3/8)	φ12.7 (1/2)	69
	MAC-A455JP	φ12.7 — φ9.52 (1/2) (3/8)	φ12.7 (1/2)	φ9.52 (3/8)	65
	MAC-A456JP	φ12.7 — φ15.88 (1/2) (5/8)	φ12.7 (1/2)	φ15.88 (5/8)	66.5
	PAC-493PI	φ6.35 — φ9.52 (1/4) (3/8)	φ6.35 (1/4)	φ9.52 (3/8)	60.5
	PAC-SG76RJ-E	φ9.52 — φ15.88 (3/8) (5/8)	φ9.52 (3/8)	φ15.88 (5/8)	101.5

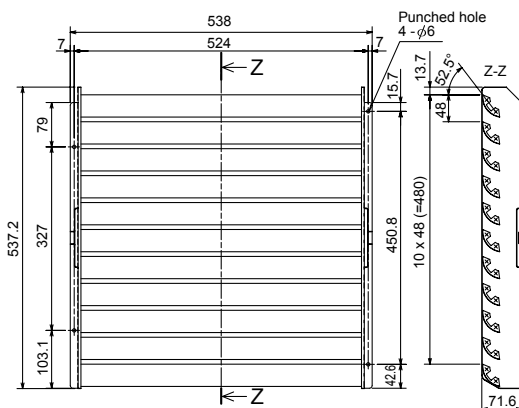
Unit: mm (inch)



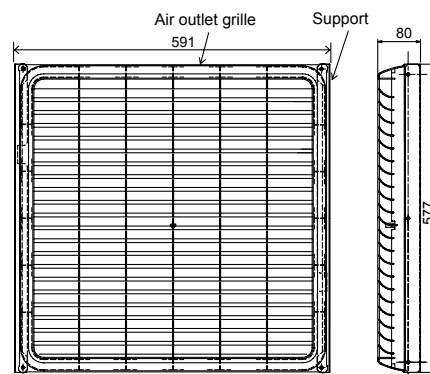
2-2. OUTLET GUIDE

Changes air discharge direction.

Applied unit	Model name	Model code
MXZ-2D33VA MXZ-2D40VA MXZ-2D53VA MXZ-2D53VAH	MAC-889SG	506-889
MXZ-3D54VA MXZ-3D68VA MXZ-4D72VA MXZ-4D83VA MXZ-5D102VA	MAC-856SG	51H-856



MAC-889SG



MAC-856SG

MITSUBISHI ELECTRIC CORPORATION

HEAD OFFICE: TOKYO BLDG., 2-7-3, MARUNOUCHI, CHIYODA-KU, TOKYO 100-8310, JAPAN