

**Revision L:**

 • MXZ-6D122VA- E2, ER2, ET2 have been added.

OBH626 REVISED EDITION-K is void.

# OUTDOOR UNIT

# SERVICE MANUAL


**No. OBH626  
REVISED EDITION-L**

## Models

**MXZ-2D33VA** - E1, E2, E3, ER2, ER3, ET2, ET3

**MXZ-2D40VA** - E1, ER2

**MXZ-2D42VA** - E2, E3, ER3, ET2, ET3

**MXZ-2D42VA2** - E3, ET3, ER3

**MXZ-2D53VA** - E1, E2, E3, ER2, ER3, ET2, ET3

**MXZ-2D53VA2** - E3, ET3, ER3

**MXZ-2D53VAH** - E1, E2, E3, ER2, ER3

**MXZ-2D53VAH2** - E3

**MXZ-3D54VA** - E1

**MXZ-3D54VA2** - E2, E3, ER2, ER3, ET2, ET3

**MXZ-3D68VA** - E1, E2, E3, ER2, ER3, ET2, ET3

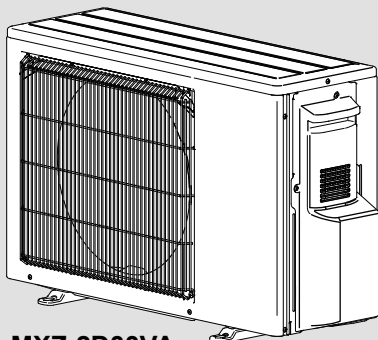
**MXZ-4D72VA** - E1, E2, E3, ER2, ER3, ET2, ET3

**MXZ-4D83VA** - E1, E2, ER1, ER2, ET2

**MXZ-5D102VA** - E1, E2, ER1, ER2, ET2

**MXZ-6D122VA** - E1, E2, ER1, ER2, ET1, ET2

Indoor unit service manual  
 MSZ-EF•VE Series (OBH589)  
 MSZ-GF•VE Series (OBH634)  
 MSZ-SF•VA Series (OBH555)  
 MSZ-SF•VE Series (OBH600)  
 MSZ-FH•VE Series (OBH623)  
 MFZ-KA•VA Series (OB409)  
 MFZ-KJ•VE Series (OBH666)  
 MLZ-KA•VA Series (OBH483)  
 SLZ-KA•VA Series (OC320)  
 SLZ-KF•VA Series (OCH600)  
 SEZ-KD•VA Series (HWE07110)  
 PLA-RP•BA Series (OCH412)  
 PCA-RP•KA Series (OCH454)  
 PEAD-RP•JA Series (HWE08130)



MXZ-2D33VA  
 MXZ-2D40VA  
 MXZ-2D42VA  
 MXZ-2D42VA2  
 MXZ-2D53VA    MXZ-2D53VAH  
 MXZ-2D53VA2    MXZ-2D53VAH2

**NOTE:**

RoHS compliant products have &lt;G&gt; mark on the spec name plate.

## CONTENTS

1. TECHNICAL CHANGES .....	3...
2. PART NAMES AND FUNCTIONS .....	6
3. SPECIFICATION .....	7.....
4. NOISE CRITERIA CURVES .....	17
5. OUTLINES AND DIMENSIONS .....	20
6. WIRING DIAGRAM .....	25...
7. REFRIGERANT SYSTEM DIAGRAM .....	76
8. PERFORMANCE CURVES .....	86
9. ACTUATOR CONTROL .....	120
10. SERVICE FUNCTIONS .....	121
11. TROUBLESHOOTING .....	127
12. DISASSEMBLY INSTRUCTIONS .....	166

## INDOOR UNITS COMBINATION SHEETS

## PARTS CATALOG (OBB626)

# Use the specified refrigerant only

## Never use any refrigerant other than that specified.

Doing so may cause a burst, an explosion, or fire when the unit is being used, serviced, or disposed of.

Correct refrigerant is specified in the manuals and on the spec labels provided with our products.

We will not be held responsible for mechanical failure, system malfunction, unit breakdown or accidents caused by failure to follow the instructions.

### <Preparation before the repair service>

- Prepare the proper tools.
- Prepare the proper protectors.
- Provide adequate ventilation.
- After stopping the operation of the air conditioner, turn off the power-supply breaker and remove the power plug.
- Discharge the capacitor before the work involving the electric parts.

### <Precautions during the repair service>

- Do not perform the work involving the electric parts with wet hands.
- Do not pour water into the electric parts.
- Do not touch the refrigerant.
- Do not touch the hot or cold areas in the refrigeration cycle.
- When the repair or the inspection of the circuit needs to be done without turning off the power, exercise great caution not to touch the live parts.

### Revision A:

- MXZ-3D54VA- [E1], MXZ-3D68VA- [E1], MXZ-4D72VA- [E1], MXZ-4D83VA- [E1] and MXZ-5D102VA- [E1] have been added.

### Revision B:

- INDOOR UNITS COMBINATION SHEETS for MXZ-3D54VA, MXZ-3D68VA, MXZ-4D72VA, MXZ-4D83VA and MXZ-5D102VA have been added.
- 11-4. TROUBLESHOOTING CHECK TABLE (MXZ-2D) has been modified.

### Revision C:

- MXZ-4D83VA- [ER1] and MXZ-5D102VA- [ER1] have been added.

### Revision D:

- MXZ-2D40VA- [ER2], MXZ-2D42VA- [E2], MXZ-2D53VAH- [E2], [ER2], MXZ-3D54VA2- [E2], [ER2] and MXZ-2D33/2D53/3D68/4D72/4D83/5D102VA- [E2], [ER2] have been added.

### Revision E:

- The tables of WHEN CONNECTING TO MFZ-KJ SERIES INDOOR UNIT for MXZ-2D33/2D53/3D68/4D72VA- [E2], [ER2], MXZ-2D42VA- [E2], MXZ-2D53VAH- [E2], [ER2] and MXZ-3D54VA2- [E2], [ER2] have been added to 7. REFRIGERANT SYSTEM DIAGRAM.

### Revision F:

- MXZ-2D33/2D42/2D53/3D68/4D72/4D83/5D102VA- [ET2] and MXZ-3D54VA2- [ET2] have been added.

### Revision G:

- MXZ-2D33/2D42/2D53VA- [E3], [ER3], [ET3], MXZ-2D53VAH- [E3], [ER3], MXZ-3D54VA2- [E3], [ER3], [ET3] and MXZ-3D68/4D72VA- [E3], [ER3], [ET3] have been added.

### Revision H:

- MXZ-6D122VA- [E1], [ER1], [ET1] have been added.

### Revision J:

- MXZ-2D42/2D53VA2- [E3], [ET3] and MXZ-2D53VAH2- [E3] have been added.

### Revision K:

- MXZ-2D42/2D53VA2- [ER3] have been added.

### Revision L:

- MXZ-6D122VA- [E2], [ER2], [ET2] have been added.

**MXZ-2C30VA -[E1] → MXZ-2D33VA -[E1]**

1. Grill has been changed.
2. Ice guard has been added.
3. Electrical parts have been changed.
4. Fan motor has been changed.
5. Indoor units combinations have been added.
6. Compressor has been changed. (KNB073FGDHC → KNB073FFDHC)

**MXZ-2C40VA -[E1] → MXZ-2D40VA -[E1]****MXZ-2C52VA -[E1] → MXZ-2D53VA -[E1]**

1. Grill has been changed.
2. Ice guard has been added.
3. Electrical parts have been changed.
4. Fan motor has been changed.
5. Indoor units combinations have been added.

**MXZ-2C52VA -[E1] → MXZ-2D53VAH -[E1]**

1. Grille has been changed.
2. Ice guard has been added.
3. Electrical parts have been changed.
4. Fan motor has been changed.
5. Indoor units combinations have been added.
6. Base heater has been added.
7. Drain socket has been removed.

**MXZ-3C54VA -[E1] → MXZ-3D54VA -[E1]****MXZ-3C68VA -[E1] → MXZ-3D68VA -[E1]****MXZ-4C71VA -[E1] → MXZ-4D72VA -[E1]**

1. Grille has been changed.
2. Ice guard has been added.
3. Power board has been changed.
4. Electrical control P.C. board has been changed.
5. Noise filter P.C. board has been changed.
6. Fan motor has been changed.
7. Indoor units combinations have been added (MSZ-FH Series).

**MXZ-4C80VA2 -[E1] → MXZ-4D83VA -[E1]****MXZ-5C100VA2 -[E1] → MXZ-5D102VA -[E1]**

1. Indoor units combinations have been added (MSZ-FH Series).

**MXZ-4D83VA -[ER1]****MXZ-5D102VA -[ER1]**

1. New model

**MXZ-2D33VA -[E1] → MXZ-2D33VA -[E2]****MXZ-2D53VA -[E1] → MXZ-2D42VA -[E2]****MXZ-2D53VA -[E1] → MXZ-2D53VA -[E2]****MXZ-2D53VAH -[E1] → MXZ-2D53VAH -[E2]****MXZ-3D54VA -[E1] → MXZ-3D54VA2 -[E2]****MXZ-3D68VA -[E1] → MXZ-3D68VA -[E2]****MXZ-4D72VA -[E1] → MXZ-4D72VA -[E2]****MXZ-4D83VA -[E1] → MXZ-4D83VA -[E2]****MXZ-5D102VA -[E1] → MXZ-5D102VA -[E2]**

1. Indoor units combinations have been added (MFZ-KJ Series).

**MXZ-4D83VA -[ER1] → MXZ-4D83VA -[ER2]****MXZ-5D102VA -[ER1] → MXZ-5D102VA -[ER2]**

1. Indoor units combinations have been added (MFZ-KJ Series).



**MXZ-2D33VA** -[ER2]

**MXZ-2D53VA** -[ER2]

**MXZ-2D53VAH** -[ER2]

**MXZ-3D54VA2** -[ER2]

**MXZ-3D68VA** -[ER2]

**MXZ-4D72VA** -[ER2]

1. New model
2. Indoor units combinations have been added (MFZ-KJ Series).

**MXZ-2D40VA** -[ER2]

1. New model

**MXZ-2D33VA** -[ET2]

**MXZ-2D42VA** -[ET2]

**MXZ-2D53VA** -[ET2]

**MXZ-3D54VA2** -[ET2]

**MXZ-3D68VA** -[ET2]

**MXZ-4D72VA** -[ET2]

**MXZ-4D83VA** -[ET2]

**MXZ-5D102VA** -[ET2]

1. New model

**MXZ-2D33VA** -[E2] → **MXZ-2D33VA** -[E3]

**MXZ-2D42VA** -[E2] → **MXZ-2D42VA** -[E3]

**MXZ-2D53VA** -[E2] → **MXZ-2D53VA** -[E3]

**MXZ-2D53VAH** -[E2] → **MXZ-2D53VAH** -[E3]

1. Inverter P.C. board has been changed.
2. Fuse has been added.

**MXZ-2D33VA** -[ER2] → **MXZ-2D33VA** -[ER3]

**MXZ-2D53VA** -[ER2] → **MXZ-2D53VA** -[ER3]

**MXZ-2D53VAH** -[ER2] → **MXZ-2D53VAH** -[ER3]

1. Inverter P.C. board has been changed.
2. Fuse has been added.

**MXZ-2D33VA** -[ET2] → **MXZ-2D33VA** -[ET3]

**MXZ-2D42VA** -[ET2] → **MXZ-2D42VA** -[ET3]

**MXZ-2D53VA** -[ET2] → **MXZ-2D53VA** -[ET3]

1. Inverter P.C. board has been changed.
2. Fuse has been added.

**MXZ-2D42VA** -[ER3]

1. New model

**MXZ-3D54VA2** -[E2] → **MXZ-3D54VA2** -[E3]

1. High pressure switch has been added.
2. Outdoor control P.C. board has been changed.

**MXZ-3D68VA -[E2] → MXZ-3D68VA -[E3]**

**MXZ-4D72VA -[E2] → MXZ-4D72VA -[E3]**

1. Outdoor control P.C. board has been changed.
2. High pressure switch has been changed.

**MXZ-3D54VA2 -[ER2] → MXZ-3D54VA2 -[ER3]**

1. High pressure switch has been added.
2. Outdoor control P.C. board has been changed.

**MXZ-3D68VA -[ER2] → MXZ-3D68VA -[ER3]**

**MXZ-4D72VA -[ER2] → MXZ-4D72VA -[ER3]**

1. Outdoor control P.C. board has been changed.
2. High pressure switch has been changed.

**MXZ-3D54VA2 -[ET2] → MXZ-3D54VA2 -[ET3]**

1. High pressure switch has been added.
2. Outdoor control P.C. board has been changed.

**MXZ-3D68VA -[E2] → MXZ-3D68VA -[E3]**

**MXZ-4D72VA -[E2] → MXZ-4D72VA -[E3]**

1. Outdoor control P.C. board has been changed.
2. High pressure switch has been changed.

**MXZ-3D54VA2 -[ER2] → MXZ-3D54VA2 -[ER3]**

1. High pressure switch has been added.
2. Outdoor control P.C. board has been changed.

**MXZ-3D68VA -[ER2] → MXZ-3D68VA -[ER3]**

**MXZ-4D72VA -[ER2] → MXZ-4D72VA -[ER3]**

1. Outdoor control P.C. board has been changed.
2. High pressure switch has been changed.

**MXZ-3D54VA2 -[ET2] → MXZ-3D54VA2 -[ET3]**

1. High pressure switch has been added.
2. Outdoor control P.C. board has been changed.

**MXZ-3D68VA -[ET2] → MXZ-3D68VA -[ET3]**

**MXZ-4D72VA -[ET2] → MXZ-4D72VA -[ET3]**

1. Outdoor control P.C. board has been changed.
2. High pressure switch has been changed.

**MXZ-6D122VA -[E1] → MXZ-6D122VA -[E2]**

**MXZ-6D122VA -[ER1] → MXZ-6D122VA -[ER2]**

**MXZ-6D122VA -[ET1] → MXZ-6D122VA -[ET2]**

1. Outdoor control P.C. board has been changed.

**MXZ-2D42VA -[E3] → MXZ-2D42VA2 -[E3]**

**MXZ-2D53VA -[E3] → MXZ-2D53VA2 -[E3]**

**MXZ-2D53VAH -[E3] → MXZ-2D53VAH2 -[E3]**

**MXZ-2D42VA -[ET3] → MXZ-2D42VA2 -[ET3], [ER3]**

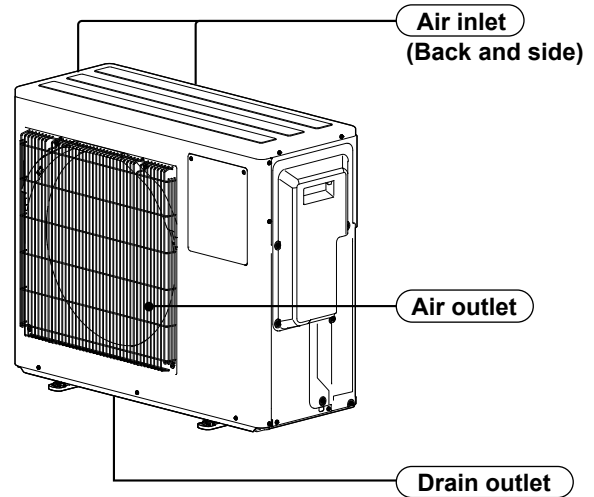
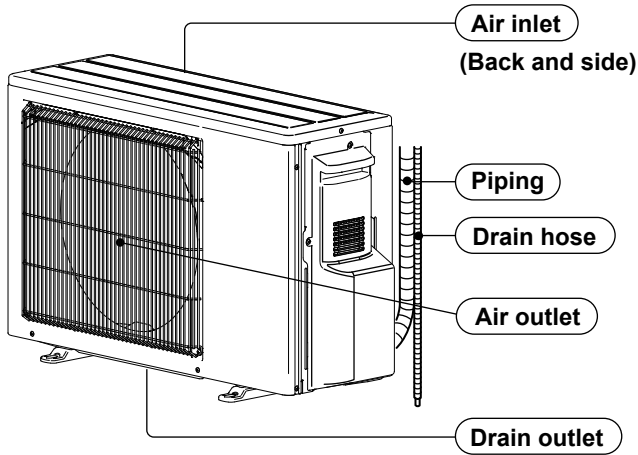
**MXZ-2D53VA -[ET3] → MXZ-2D53VA2 -[ET3], [ER3]**

1. Indoor units combinations have been added (SLZ-KF Series).
2. Inverter P.C. board has been changed.

# PART NAMES AND FUNCTIONS

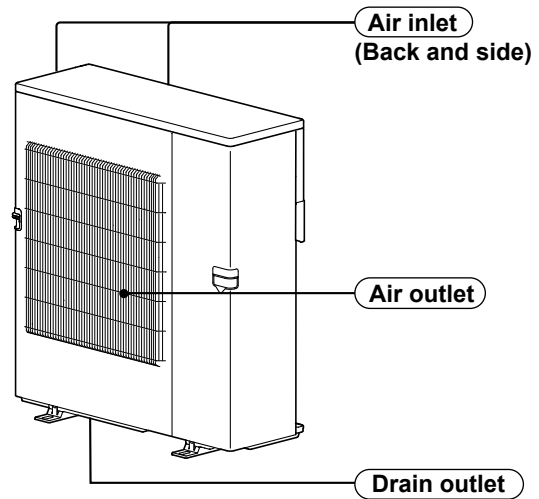
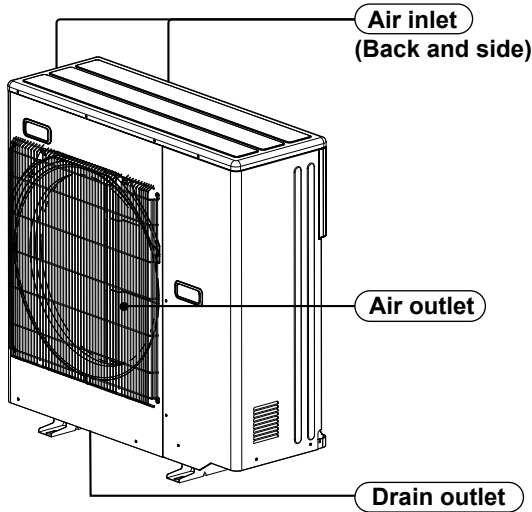
MXZ-2D33VA  
 MXZ-2D40VA  
 MXZ-2D42VA  
 MXZ-2D42VA2  
 MXZ-2D53VA    MXZ-2D53VAH  
 MXZ-2D53VA2    MXZ-2D53VAH2

MXZ-3D54VA  
 MXZ-3D54VA2  
 MXZ-3D68VA  
 MXZ-4D72VA



MXZ-4D83VA  
 MXZ-5D102VA

MXZ-6D122VA



## ACCESSORIES

Model	MXZ-2D33VA MXZ-2D40VA MXZ-2D42VA MXZ-2D42VA2 MXZ-2D53VA MXZ-2D53VA2 MXZ-2D53VAH MXZ-2D53VAH2 MXZ-4D83VA MXZ-5D102VA	MXZ-3D54VA MXZ-3D54VA2 MXZ-3D68VA MXZ-4D72VA	MXZ-6D122VA
① Drain socket	1	1	1
② Drain cap		2	5

## 3

## SPECIFICATION

Outdoor model			<b>MXZ-2D33VA</b>	
Outdoor unit power supply			Single phase 230 V, 50 Hz	
System	Indoor units number		2	
	Piping total length	m	Max. 20	
	Connecting pipe length	m	Max. 15	
	Height difference (Indoor ~ Outdoor)	m	Refer to 7 REFRIGERANT SYSTEM DIAGRAM.	
	Height difference (Indoor ~ Indoor)	m	Refer to 7 REFRIGERANT SYSTEM DIAGRAM.	
Function			Cooling	Heating
Capacity Rated frequency (Min.-Max.) *2		kW	3.3 (1.1 - 3.8)	4.0 (1.0 - 4.1)
Breaker capacity		A	15	
Electrical data	Power input (Total) *1, *2	W	900	960
	Running current (Total) *1, *2	A	4.3	4.6
	Power factor (Total) *1, *2	%	90	
	Starting current (Total) *1, *2	A	4.6	
Coeff. of performance (C.O.P) (Total) *1, *2			3.67	4.17
Compressor	Model		KNB073FFDHC	
	Output	W	800	
	Current *1, *2	A	4.0	4.2
	Refrigeration oil (Model)	L	0.32 (NEO22)	
Fan motor	Model		RC0J50-FA	
	Current *1, *2	A	0.35	
Dimensions W x H x D		mm	800 x 550 x 285	
Weight		kg	32	
Special remarks	Air flow (Rated)	m <sup>3</sup> /h	1,974	2,022
	Sound level (Rated)	dB(A)	49	50
	Fan speed (Rated)	rpm	860	880
	Refrigerant filling capacity (R410A)	kg	1.15	

\*1 Measured under rated operating frequency.

\*2 When connected with indoor units below.

**MSZ-SF15VA + MSZ-EF18VE**

**NOTE:** Test conditions are based on ISO 5151. (Refrigerant piping length (one way): 5 m)

COOLING INDOOR Dry-bulb temperature 27.0 °C Wet-bulb temperature 19.0 °C

OUTDOOR Dry-bulb temperature 35.0 °C Wet-bulb temperature 24.0 °C

HEATING INDOOR Dry-bulb temperature 20.0 °C

OUTDOOR Dry-bulb temperature 7.0 °C Wet-bulb temperature 6.0 °C



Outdoor model			<b>MXZ-2D40VA</b>	
Outdoor unit power supply			Single phase 230 V, 50 Hz	
System	Indoor units number		2	
	Piping total length	m	Max. 30	
	Connecting pipe length	m	Max. 20	
	Height difference (Indoor ~ Outdoor)	m	Refer to 7 REFRIGERANT SYSTEM DIAGRAM.	
	Height difference (Indoor ~ Indoor)	m	Refer to 7 REFRIGERANT SYSTEM DIAGRAM.	
Function			Cooling	Heating
Capacity Rated frequency (Min.-Max.) *2		kW	4.0 (1.1 - 4.3)	4.5 (1.0 - 4.8)
Breaker capacity		A	15	
Electrical data	Power input (Total) *1, *2		W	
	Running current (Total) *1, *2		A	
	Power factor (Total) *1, *2		%	
	Starting current (Total) *1, *2		A	
Coeff icient of performance (C.O.P) (Total) *1, *2			4.12	4.64
Compressor	Model		KNB092FFDHC	
	Output	W	1,100	
	Current *1, *2	A	4.4	4.2
	Refrigeration oil (Model)	L	0.32 (NEO22)	
Fan motor	Model		RC0J50-FA	
	Current *1, *2	A	0.35	
Dimensions W x H x D		mm	800 x 550 x 285	
Weight		kg	34	
Special remarks	Air f ow (Rated)	m <sup>3</sup> /h	1,752	1,662
	Sound level (Rated)	dB(A)	49	50
	Fan speed (Rated)	rpm	840	800
	Refrigerant f lling capacity (R410A)	kg	1.3	

\*1 Measured under rated operating frequency.

\*2 When connected with indoor units below.

**MSZ-EF18VE + MSZ-EF22VE**

**NOTE:** Test conditions are based on ISO 5151. (Refrigerant piping length (one way): 5 m)

COOLING INDOOR Dry-bulb temperature 27.0 °C Wet-bulb temperature 19.0 °C

OUTDOOR Dry-bulb temperature 35.0 °C Wet-bulb temperature 24.0 °C

HEATING INDOOR Dry-bulb temperature 20.0 °C

OUTDOOR Dry-bulb temperature 7.0 °C Wet-bulb temperature 6.0 °C





Outdoor model			<b>MXZ-2D42VA MXZ-2D42VA2</b>	
Outdoor unit power supply			Single phase 230 V, 50 Hz	
System	Indoor units number		2	
	Piping total length	m	Max. 30	
	Connecting pipe length	m	Max. 20	
	Height difference (Indoor ~ Outdoor)	m	Refer to 7 REFRIGERANT SYSTEM DIAGRAM.	
	Height difference (Indoor ~ Indoor)	m	Refer to 7 REFRIGERANT SYSTEM DIAGRAM.	
Function			Cooling	Heating
Capacity Rated frequency (Min.-Max.) *2		kW	4.2 (1.1 - 4.4)	4.5 (1.0 - 4.8)
Breaker capacity		A	15	
Electrical data	Power input (Total) *1, *2	W	1,000	930
	Running current (Total) *1, *2	A	4.5	4.2
	Power factor (Total) *1, *2	%	97	
	Starting current (Total) *1, *2	A	4.5	
Coeff icient of performance (C.O.P) (Total) *1, *2			4.20	4.84
Compressor	Model		SNB130FGBHT	
	Output	W	1,150	
	Current *1, *2	A	4.0	3.6
	Refrigeration oil (Model)	L	0.45 (NEO22)	
Fan motor	Model		RC0J50-FA	
	Current *1, *2	A	0.35	
Dimensions W x H x D		mm	800 x 550 x 285	
Weight		kg	37	
Special remarks	Air f ow (Rated)	m <sup>3</sup> /h	1,662	1,998
	Sound level (Rated)	dB(A)	46	51
	Fan speed (Rated)	rpm	800	910
	Refrigerant f lling capacity (R410A)	kg	1.3	

\*1 Measured under rated operating frequency.

\*2 When connected with indoor units below.

**MSZ-EF18VE + MSZ-EF25VE**

**NOTE:** Test conditions are based on ISO 5151. (Refrigerant piping length (one way): 5 m)

COOLING INDOOR Dry-bulb temperature 27.0 °C Wet-bulb temperature 19.0 °C

OUTDOOR Dry-bulb temperature 35.0 °C Wet-bulb temperature 24.0 °C

HEATING INDOOR Dry-bulb temperature 20.0 °C

OUTDOOR Dry-bulb temperature 7.0 °C Wet-bulb temperature 6.0 °C



Outdoor model			<b>MXZ-2D53VA MXZ-2D53VAH</b> <b>MXZ-2D53VA2 MXZ-2D53VAH2</b>	
Outdoor unit power supply			Single phase 230 V, 50 Hz	
System	Indoor units number		2	
	Piping total length	m	Max. 30	
	Connecting pipe length	m	Max. 20	
	Height difference (Indoor ~ Outdoor)	m	Refer to 7 REFRIGERANT SYSTEM DIAGRAM.	
	Height difference (Indoor ~ Indoor)	m	Refer to 7 REFRIGERANT SYSTEM DIAGRAM.	
Function			Cooling	Heating
Capacity Rated frequency (Min.-Max.) *2		kW	5.3 (1.1 - 5.6)	6.4 (1.0 - 7.0)
Breaker capacity		A	15	
Electrical data	Power input (Total) *1, *2	W	1,540	1,700
	Running current (Total) *1, *2	A	6.9	7.6
	Power factor (Total) *1, *2	%	97	
	Starting current (Total) *1, *2	A	7.6	
Coeff icient of performance (C.O.P) (Total) *1, *2			3.44	3.76
Compressor	Model		SNB130FGBHT	
	Output	W	1,400	
	Current *1, *2	A	6.6	7.2
	Refrigeration oil (Model)	L	0.45 (NEO22)	
Fan motor	Model		RC0J50-FA	
	Current *1, *2	A	0.35	
Dimensions W x H x D		mm	800 x 550 x 285	
Weight		kg	<b>MXZ-2D53VA: 37 MXZ-2D53VAH: 38</b> <b>MXZ-2D53VA2: 37 MXZ-2D53VAH2: 38</b>	
Special remarks	Air f ow (Rated)	m <sup>3</sup> /h	1,974	1,998
	Sound level (Rated)	dB(A)	50	53
	Fan speed (Rated)	rpm	900	910
	Refrigerant f lling capacity (R410A)	kg	1.3	

\*1 Measured under rated operating frequency.

\*2 When connected with indoor units below.

**MSZ-EF18VE + MSZ-EF35VE**

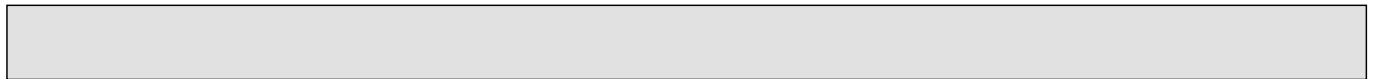
**NOTE:** Test conditions are based on ISO 5151. (Refrigerant piping length (one way): 5 m)

COOLING INDOOR Dry-bulb temperature 27.0 °C Wet-bulb temperature 19.0 °C

OUTDOOR Dry-bulb temperature 35.0 °C Wet-bulb temperature 24.0 °C

HEATING INDOOR Dry-bulb temperature 20.0 °C

OUTDOOR Dry-bulb temperature 7.0 °C Wet-bulb temperature 6.0 °C



Outdoor model			<b>MXZ-3D54VA MXZ-3D54VA2</b>		
Outdoor unit power supply			Single phase 230 V, 50 Hz		
System	Indoor units number		2 to 3		
	Piping total length	m	Max. 50		
	Connecting pipe length	m	Max. 25		
	Height difference (Indoor ~ Outdoor)	m	Refer to 7 REFRIGERANT SYSTEM DIAGRAM.		
	Height difference (Indoor ~ Indoor)	m	Refer to 7 REFRIGERANT SYSTEM DIAGRAM.		
Function			Cooling	Heating	
Capacity Rated frequency (Min.-Max.) *2		kW	5.4 (2.9 - 6.8)	7.0 (2.6 - 9.0)	
Breaker capacity		A	25		
Electrical data	Power input (Total) *1, *2		W	<b>MXZ-3D54VA: 1,390</b> <b>MXZ-3D54VA2: 1,350</b> 1,590	
	Running current (Total) *1, *2		A	<b>MXZ-3D54VA: 6.1</b> <b>MXZ-3D54VA2: 5.9</b> 7.0	
	Power factor (Total) *1, *2		%	99	
	Starting current (Total) *1, *2		A	7.0	
Coeffcient of performance (C.O.P) (Total) *1, *2			<b>MXZ-3D54VA: 3.88</b> <b>MXZ-3D54VA2: 4.00</b>	4.40	
Compressor	Model		SNB130FGBH1T		
	Output	W	1,400		
	Current *1, *2	A	5.72	6.62	
	Refrigeration oil (Model)	L	0.7 (NEO22)		
Fan motor	Model		SIC-71FW-F764-1		
	Current *1, *2	A	0.2		
Dimensions W x H x D		mm	840 x 710 x 330		
Weight		kg	57		
Special remarks	Air f ow (Rated)		m <sup>3</sup> /h	2,334	2,376
	Sound level (Rated)		dB(A)	50	53
	Fan speed (Rated)		rpm	650	660
	Refrigerant f lling capacity (R410A)		kg	2.7	

\*1 Measured under rated operating frequency.

\*2 When connected with indoor units below.

**MSZ-EF18VE + MSZ-EF18VE + MSZ-EF18VE**

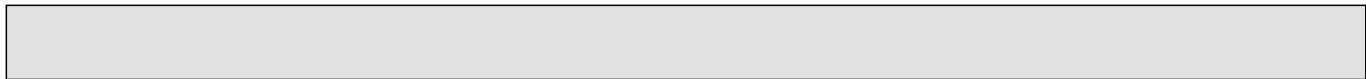
**NOTE:** Test conditions are based on ISO 5151. (Refrigerant piping length (one way): 5 m)

COOLING INDOOR Dry-bulb temperature 27.0 °C Wet-bulb temperature 19.0 °C

OUTDOOR Dry-bulb temperature 35.0 °C Wet-bulb temperature 24.0 °C

HEATING INDOOR Dry-bulb temperature 20.0 °C

OUTDOOR Dry-bulb temperature 7.0 °C Wet-bulb temperature 6.0 °C



Outdoor model			<b>MXZ-3D68VA</b>	
Outdoor unit power supply			Single phase 230 V, 50 Hz	
System	Indoor units number		2 to 3	
	Piping total length	m	Max. 60	
	Connecting pipe length	m	Max. 25	
	Height difference (Indoor ~ Outdoor)	m	Refer to 7 REFRIGERANT SYSTEM DIAGRAM.	
	Height difference (Indoor ~ Indoor)	m	Refer to 7 REFRIGERANT SYSTEM DIAGRAM.	
Function			Cooling	Heating
Capacity Rated frequency (Min.-Max.) *2		kW	6.8 (2.9 - 8.4)	8.6 (2.6 - 10.6)
Breaker capacity		A	25	
Electrical data	Power input (Total) *1, *2	W	2,190	2,380
	Running current (Total) *1, *2	A	9.6	10.5
	Power factor (Total) *1, *2	%	99	
	Starting current (Total) *1, *2	A	10.5	
Coefficient of performance (C.O.P) (Total) *1, *2			3.11	3.61
Compressor	Model		SNB172FEGH1T	
	Output	W	1,800	
	Current *1, *2	A	9.22	10.12
	Refrigeration oil (Model)	L	0.7 (NEO22)	
Fan motor	Model		SIC-71FW-F764-1	
	Current *1, *2	A	0.2	
Dimensions W x H x D		mm	840 x 710 x 330	
Weight		kg	57	
Special remarks	Air flow (Rated)	m <sup>3</sup> /h	2,334	2,376
	Sound level (Rated)	dB(A)	50	53
	Fan speed (Rated)	rpm	650	660
	Refrigerant filling capacity (R410A)	kg	2.7	

\*1 Measured under rated operating frequency.

\*2 When connected with indoor units below.

**MSZ-EF18VE + MSZ-EF25VE + MSZ-EF25VE**

**NOTE:** Test conditions are based on ISO 5151. (Refrigerant piping length (one way): 5 m)

COOLING INDOOR Dry-bulb temperature 27.0 °C Wet-bulb temperature 19.0 °C

OUTDOOR Dry-bulb temperature 35.0 °C Wet-bulb temperature 24.0 °C

HEATING INDOOR Dry-bulb temperature 20.0 °C

OUTDOOR Dry-bulb temperature 7.0 °C Wet-bulb temperature 6.0 °C



Outdoor model			<b>MXZ-4D72VA</b>	
Outdoor unit power supply			Single phase 230 V, 50 Hz	
System	Indoor units number		2 to 4	
	Piping total length	m	Max. 60	
	Connecting pipe length	m	Max. 25	
	Height difference (Indoor ~ Outdoor)	m	Refer to 7 REFRIGERANT SYSTEM DIAGRAM.	
	Height difference (Indoor ~ Indoor)	m	Refer to 7 REFRIGERANT SYSTEM DIAGRAM.	
Function			Cooling	Heating
Capacity Rated frequency (Min.-Max.) *2		kW	7.2 (3.7 - 8.8)	8.6 (3.4 - 10.7)
Breaker capacity		A	25	
Electrical data	Power input (Total) *1, *2	W	2,250	2,280
	Running current (Total) *1, *2	A	9.9	10.0
	Power factor (Total) *1, *2	%	99	
	Starting current (Total) *1, *2	A	10.0	
Coeff icient of performance (C.O.P) (Total) *1, *2			3.20	3.77
Compressor	Model		SNB172FEGH1T	
	Output	W	2,000	
	Current *1, *2	A	9.46	9.56
	Refrigeration oil (Model)	L	0.7 (NEO22)	
Fan motor	Model		SIC-71FW-F764-1	
	Current *1, *2	A	0.2	
Dimensions W x H x D		mm	840 x 710 x 330	
Weight		kg	58	
Special remarks	Air f ow (Rated)	m <sup>3</sup> /h	2,334	2,376
	Sound level (Rated)	dB(A)	50	53
	Fan speed (Rated)	rpm	650	660
	Refrigerant f lling capacity (R410A)	kg	2.7	

\*1 Measured under rated operating frequency.

\*2 When connected with indoor units below.

**MSZ-EF18VE + MSZ-EF18VE + MSZ-EF18VE + MSZ-EF18VE**

**NOTE:** Test conditions are based on ISO 5151. (Refrigerant piping length (one way): 5 m)

COOLING INDOOR Dry-bulb temperature 27.0 °C Wet-bulb temperature 19.0 °C

OUTDOOR Dry-bulb temperature 35.0 °C Wet-bulb temperature 24.0 °C

HEATING INDOOR Dry-bulb temperature 20.0 °C

OUTDOOR Dry-bulb temperature 7.0 °C Wet-bulb temperature 6.0 °C



Outdoor model			<b>MXZ-4D83VA</b>	
Outdoor unit power supply			Single phase 230 V, 50 Hz	
System	Indoor units number		2 to 4	
	Piping total length	m	Max. 70	
	Connecting pipe length	m	Max. 25	
	Height difference (Indoor ~ Outdoor)	m	Refer to 7 REFRIGERANT SYSTEM DIAGRAM.	
	Height difference (Indoor ~ Indoor)	m	Refer to 7 REFRIGERANT SYSTEM DIAGRAM.	
Function			Cooling	Heating
Capacity Rated frequency (Min.-Max.) *2		kW	8.3 ( 3.7 - 9.2 )	9.0 ( 3.4 - 11.6 )
Breaker capacity		A	25	
Electrical data	Power input (Total) *1, *2	W	2,830	2,420
	Running current (Total) *1, *2	A	12.4	10.6
	Power factor (Total) *1, *2	%	99	
	Starting current (Total) *1, *2	A	12.4	
Coeff icient of performance (C.O.P) (Total) *1, *2			2.93	3.72
Compressor	Model		TNB220FMCH	
	Output	W	2,100	
	Current *1, *2	A	11.76	9.96
	Refrigeration oil (Model)	L	0.87 (NEO22)	
Fan motor	Model		RC0J60-CC	
	Current *1, *2	A	0.4	
Dimensions W x H x D		mm	900 x 915 x 320	
Weight		kg	69	
Special remarks	Air f ow (Rated)	m <sup>3</sup> /h	2,526	2,628
	Sound level (Rated)	dB(A)	49	50
	Fan speed (Rated)	rpm	600	620
	Refrigerant f lling capacity (R410A)	kg	3.5	

\*1 Measured under rated operating frequency.

\*2 When connected with indoor units below.

**MSZ-EF18VE + MSZ-EF18VE + MSZ-EF22VE + MSZ-EF25VE**

**NOTE:** Test conditions are based on ISO 5151. (Refrigerant piping length (one way): 5 m)

COOLING INDOOR Dry-bulb temperature 27.0 °C Wet-bulb temperature 19.0 °C

OUTDOOR Dry-bulb temperature 35.0 °C Wet-bulb temperature 24.0 °C

HEATING INDOOR Dry-bulb temperature 20.0 °C

OUTDOOR Dry-bulb temperature 7.0 °C Wet-bulb temperature 6.0 °C



Outdoor model			<b>MXZ-5D102VA</b>	
Outdoor unit power supply			Single phase 230 V, 50 Hz	
System	Indoor units number		2 to 5	
	Piping total length	m	Max. 80	
	Connecting pipe length	m	Max. 25	
	Height difference (Indoor ~ Outdoor)	m	Refer to 7 REFRIGERANT SYSTEM DIAGRAM.	
	Height difference (Indoor ~ Indoor)	m	Refer to 7 REFRIGERANT SYSTEM DIAGRAM.	
Function			Cooling	Heating
Capacity Rated frequency (Min.-Max.) *2		kW	10.2 ( 3.9 - 11.0 )	10.5 ( 4.1 - 14.0 )
Breaker capacity		A	25	
Electrical data	Power input (Total) *1, *2	W	3,910	2,900
	Running current (Total) *1, *2	A	17.2	12.7
	Power factor (Total) *1, *2	%	99	
	Starting current (Total) *1, *2	A	17.2	
Coeff icient of performance (C.O.P) (Total) *1, *2			2.61	3.62
Compressor	Model		TNB220FMCH	
	Output	W	2,700	
	Current *1, *2	A	16.5	12.0
	Refrigeration oil (Model)	L	0.87 (NEO22)	
Fan motor	Model		RC0J60-CC	
	Current *1, *2	A	0.4	
Dimensions W x H x D		mm	900 x 915 x 320	
Weight		kg	70	
Special remarks	Air f ow (Rated)	m <sup>3</sup> /h	3,396	3,558
	Sound level (Rated)	dB(A)	53	55
	Fan speed (Rated)	rpm	780	810
	Refrigerant f lling capacity (R410A)	kg	4.0	

\*1 Measured under rated operating frequency.

\*2 When connected with indoor units below.

**MSZ-EF18VE + MSZ-EF18VE + MSZ-EF22VE + MSZ-EF22VE + MSZ-EF22VE**

**NOTE:** Test conditions are based on ISO 5151. (Refrigerant piping length (one way): 5 m)

COOLING INDOOR Dry-bulb temperature 27.0 °C Wet-bulb temperature 19.0 °C

OUTDOOR Dry-bulb temperature 35.0 °C Wet-bulb temperature 24.0 °C

HEATING INDOOR Dry-bulb temperature 20.0 °C

OUTDOOR Dry-bulb temperature 7.0 °C Wet-bulb temperature 6.0 °C



Outdoor model			<b>MXZ-6D122VA</b>		
Outdoor unit power supply			Single phase 230 V, 50 Hz		
System	Indoor units number		2 to 6		
	Piping total length	m	Max. 80		
	Connecting pipe length	m	Max. 25		
	Height difference (Indoor ~ Outdoor)	m	Refer to 7 REFRIGERANT SYSTEM DIAGRAM.		
	Height difference (Indoor ~ Indoor)	m	Refer to 7 REFRIGERANT SYSTEM DIAGRAM.		
Function			Cooling	Heating	
Capacity Rated frequency (Min.-Max.) *2		kW	12.2 ( 3.5 - 13.5 )	14.0 ( 3.5 - 16.5 )	
Breaker capacity		A	32		
Electrical data	Power input (Total) *1, *2		W	3,660	3,310
	Running current (Total) *1, *2		A	16.1	14.5
	Power factor (Total) *1, *2		%	99	
	Starting current (Total) *1, *2		A	17.2	
Coeff icient of performance (C.O.P) (Total) *1, *2			3.33	4.23	
Compressor	Model		MNB33FBTMC-L		
	Output	W	3,300		
	Current *1, *2	A	15.26	12.94	
	Refrigeration oil (Model)	L	1.10 (FV50S)		
Fan motor	Model		SIC-81FW-D888-9		
	Current *1, *2	A	0.3		
Dimensions W x H x D		mm	950 x 1,048 x 330		
Weight		kg	88		
Special remarks	Air f ow (Rated)	m <sup>3</sup> /h	3,780	4,620	
	Sound level (Rated)	dB(A)	55	57	
	Fan speed (Rated)	rpm	650	770	
	Refrigerant f lling capacity (R410A)	kg	4.0		

\*1 Measured under rated operating frequency.

\*2 When connected with indoor units below.

**MSZ-EF22VE +MSZ-EF22VE +MSZ-EF22VE +MSZ-EF22VE +MSZ-EF22VE +MSZ-EF22VE**

**NOTE:** Test conditions are based on ISO 5151. (Refrigerant piping length (one way): 5 m)

COOLING INDOOR Dry-bulb temperature 27.0 °C Wet-bulb temperature 19.0 °C

OUTDOOR Dry-bulb temperature 35.0 °C Wet-bulb temperature 24.0 °C

HEATING INDOOR Dry-bulb temperature 20.0 °C

OUTDOOR Dry-bulb temperature 7.0 °C Wet-bulb temperature 6.0 °C

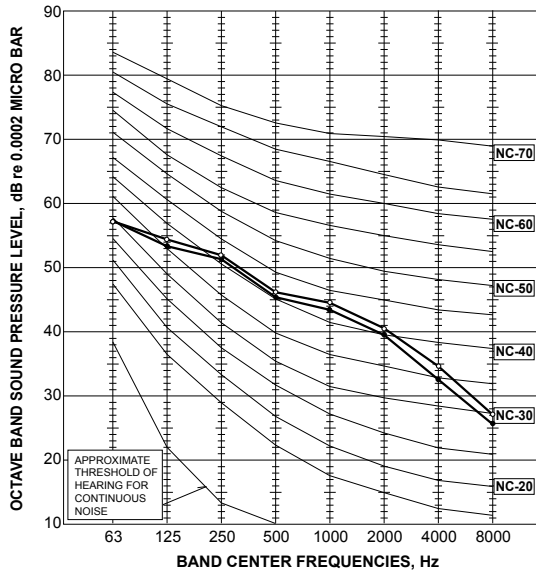


# 4

# NOISE CRITERIA CURVES

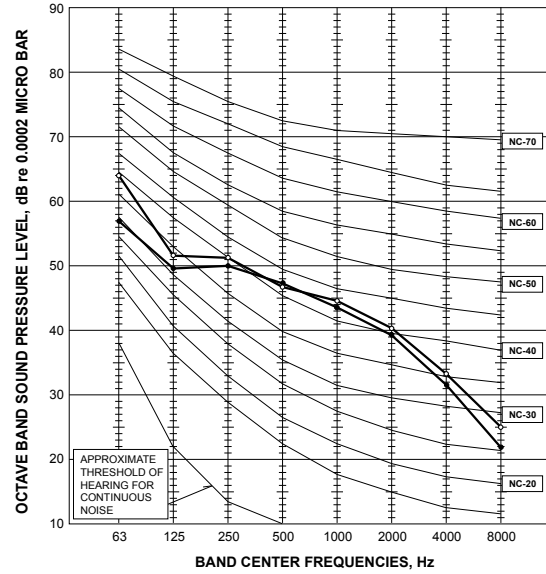
## MXZ-2D33VA

FAN SPEED	FUNCTION	SPL(dB(A))	LINE
High	Cooling	49	●—●
High	Heating	50	○—○



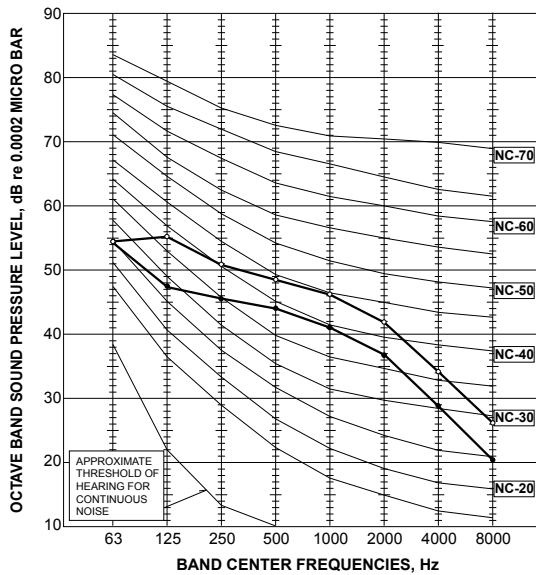
## MXZ-2D40VA

FAN SPEED	FUNCTION	SPL(dB(A))	LINE
High	Cooling	49	●—●
High	Heating	50	○—○



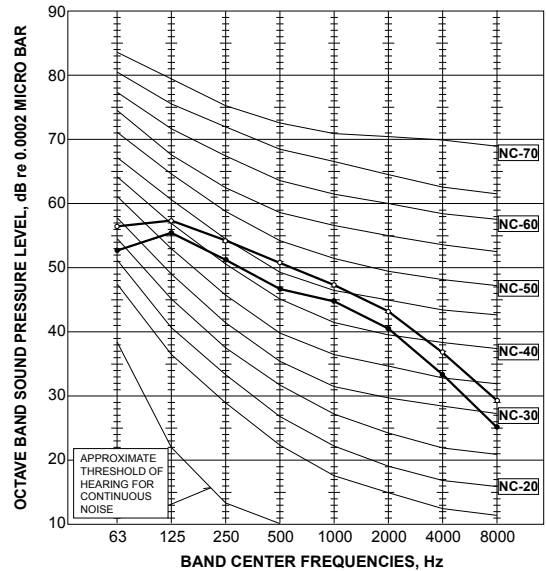
## MXZ-2D42VA MXZ-2D42VA2

FAN SPEED	FUNCTION	SPL(dB(A))	LINE
High	Cooling	46	●—●
High	Heating	51	○—○



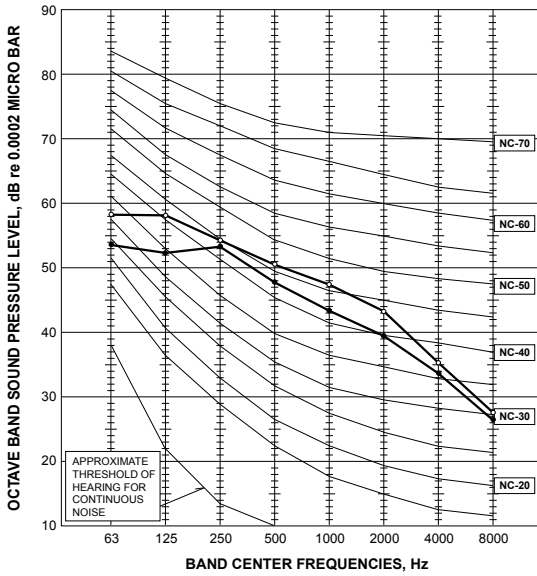
## MXZ-2D53VA MXZ-2D53VA2 MXZ-2D53VAH MXZ-2D53VAH2

FAN SPEED	FUNCTION	SPL(dB(A))	LINE
High	Cooling	50	●—●
High	Heating	53	○—○



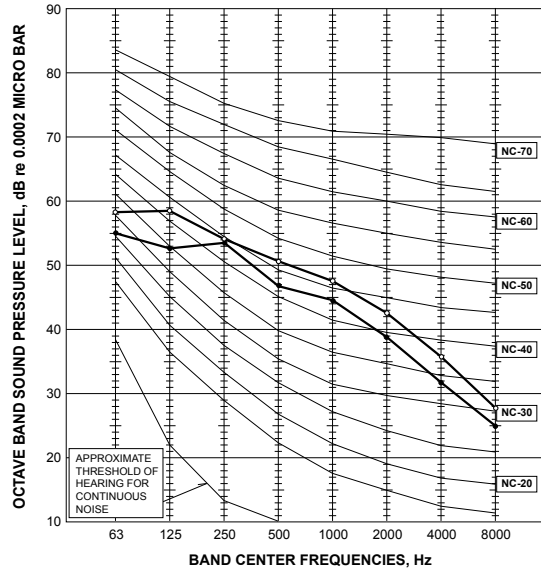
**MXZ-3D54VA**  
**MXZ-3D54VA2**

FAN SPEED	FUNCTION	SPL(dB(A))	LINE
High	Cooling	50	●—●
High	Heating	53	○—○



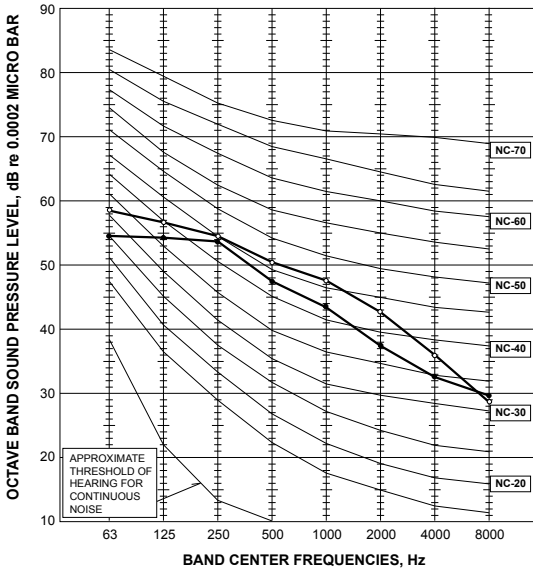
**MXZ-3D68VA**

FAN SPEED	FUNCTION	SPL(dB(A))	LINE
High	Cooling	50	●—●
High	Heating	53	○—○



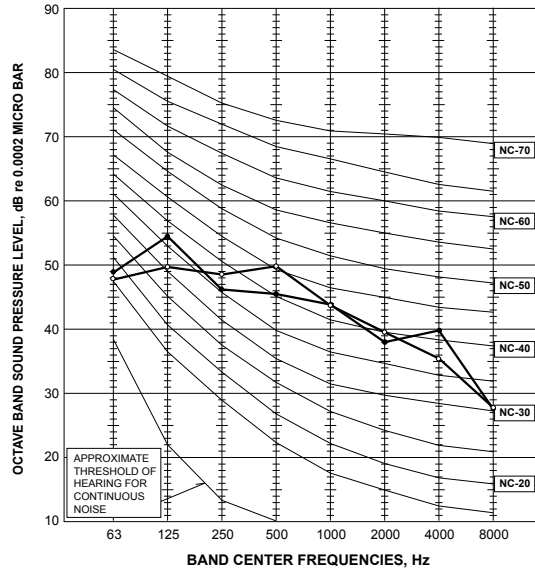
**MXZ-4D72VA**

FAN SPEED	FUNCTION	SPL(dB(A))	LINE
High	Cooling	50	●—●
High	Heating	53	○—○



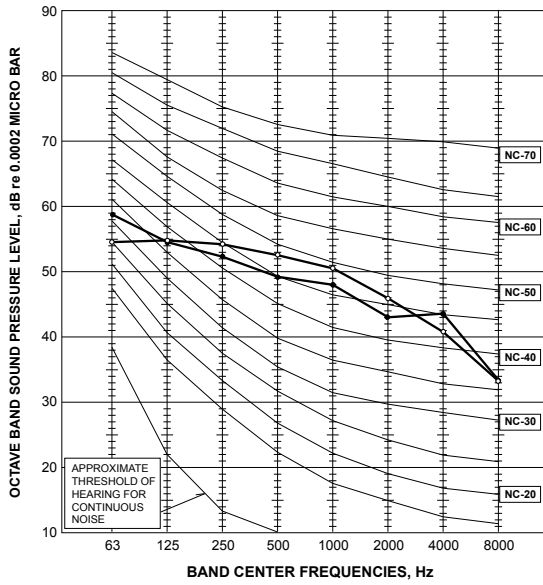
**MXZ-4D83VA**

FAN SPEED	FUNCTION	SPL(dB(A))	LINE
High	Cooling	48	●—●
High	Heating	51	○—○



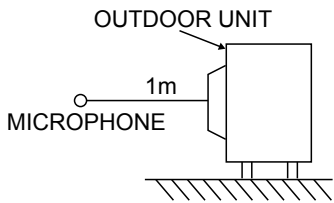
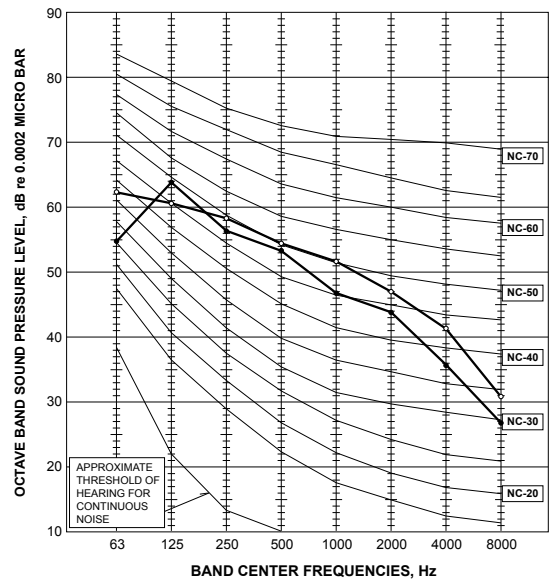
### MXZ-5D102VA

FAN SPEED	FUNCTION	SPL(dB(A))	LINE
High	Cooling	48	●—●
High	Heating	51	○—○



### MXZ-6D122VA

FAN SPEED	FUNCTION	SPL(dB(A))	LINE
High	Cooling	55	●—●
High	Heating	57	○—○



**Test conditions**

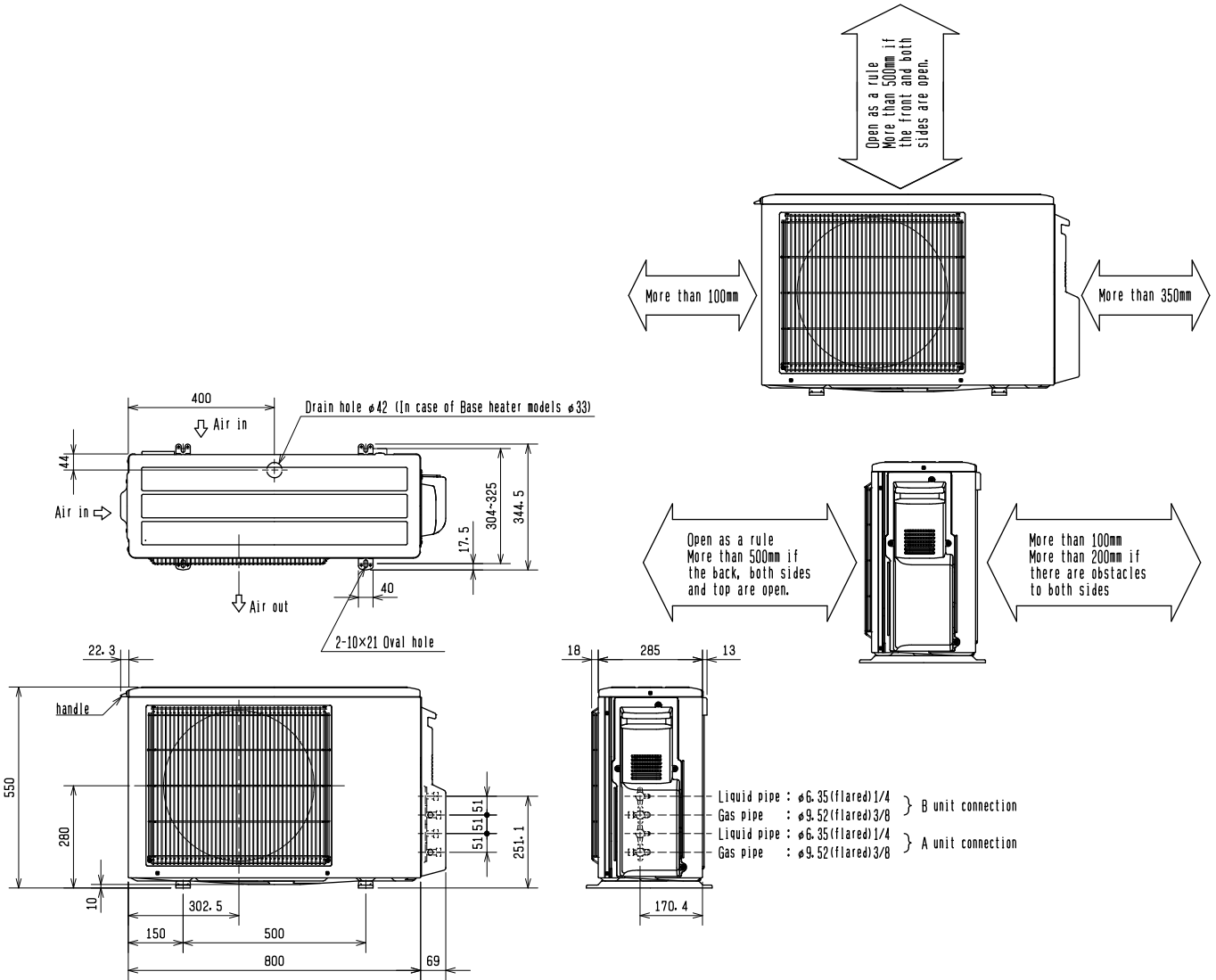
Cooling :Dry-bulb temperature 35°C Wet-bulb temperature 24°C  
 Heating :Dry-bulb temperature 7°C Wet-bulb temperature 6°C

5

OUTLINES AND DIMENSIONS

MXZ-2D33VA MXZ-2D40VA MXZ-2D42VA MXZ-2D42VA2  
 MXZ-2D53VA MXZ-2D53VA2 MXZ-2D53VAH MXZ-2D53VAH2

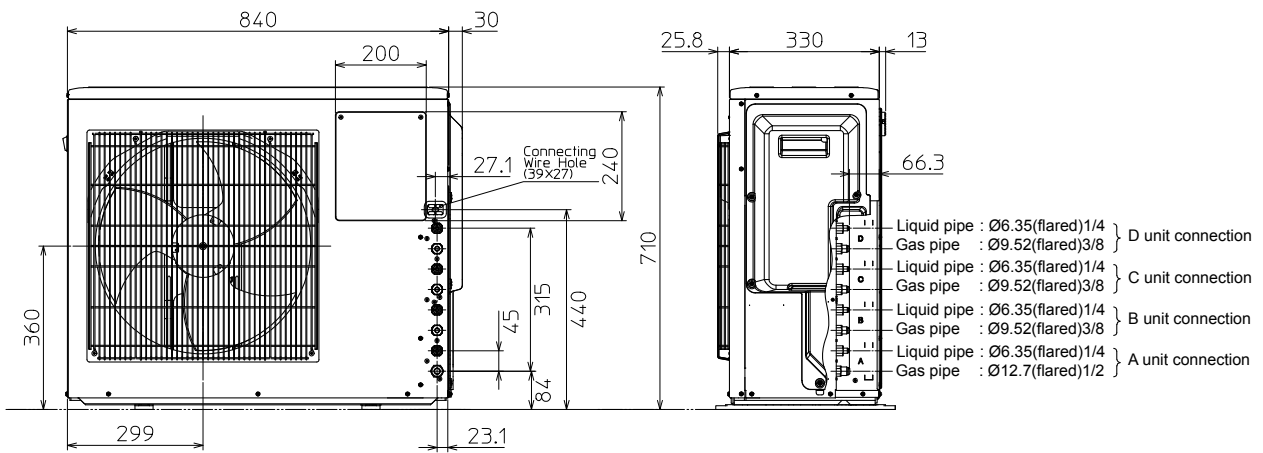
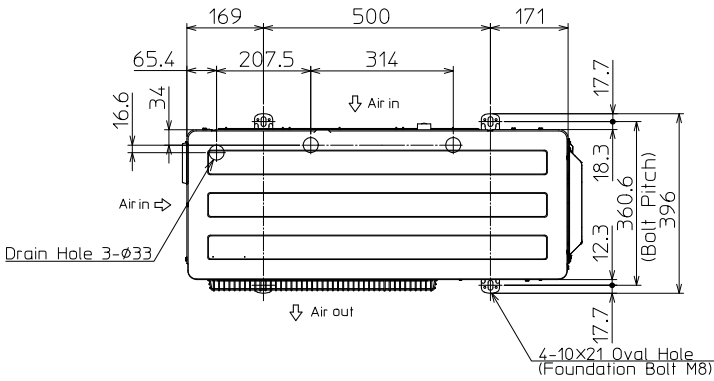
Unit: mm





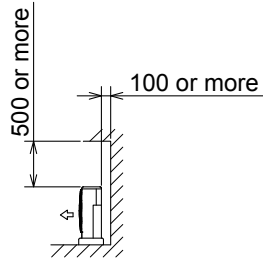
# MXZ-4D72VA

Unit: mm

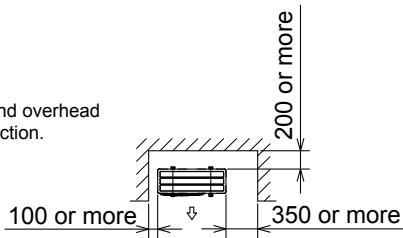


## 1. Installation space

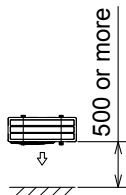
Note : Leave front and both sides free of obstruction.



Note : Leave front and overhead free of obstruction.



Note : Leave rear, overhead and both sides free of obstruction.

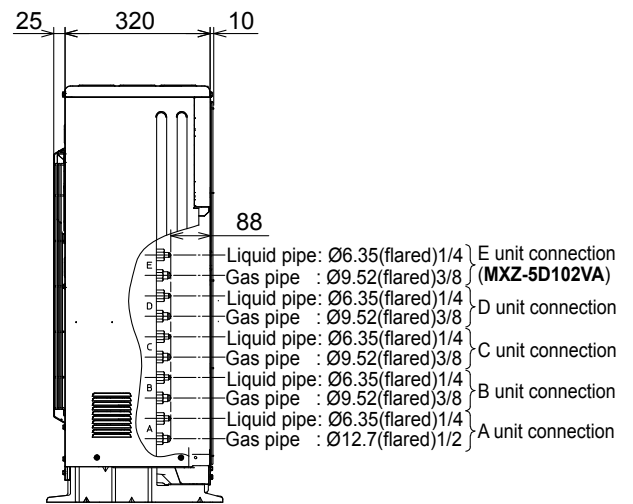
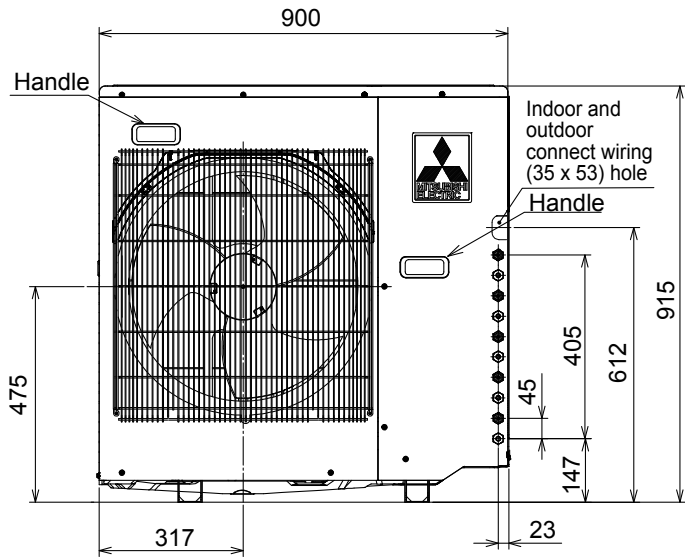
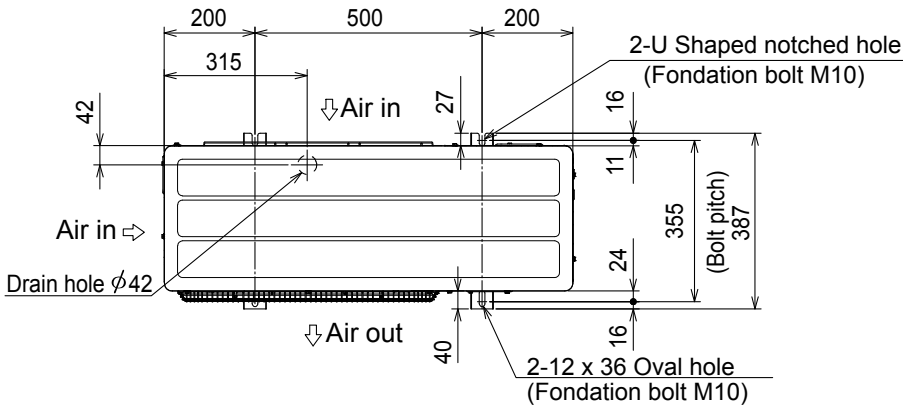


## 2. Service space



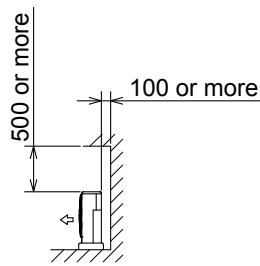
**MXZ-4D83VA MXZ-5D102VA**

Unit: mm

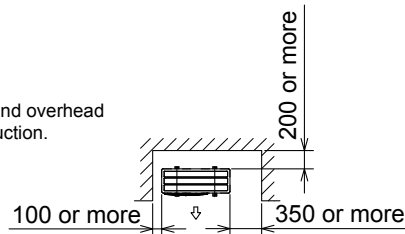


**1. Installation space**

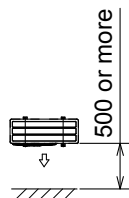
Note : Leave front and both sides free of obstruction.



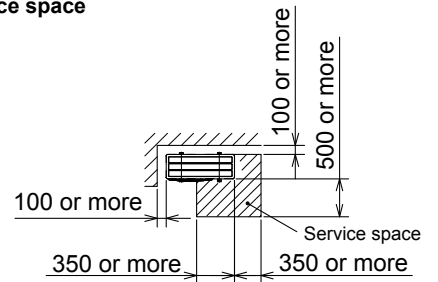
Note : Leave front and overhead free of obstruction.



Note : Leave rear, overhead and both sides free of obstruction.

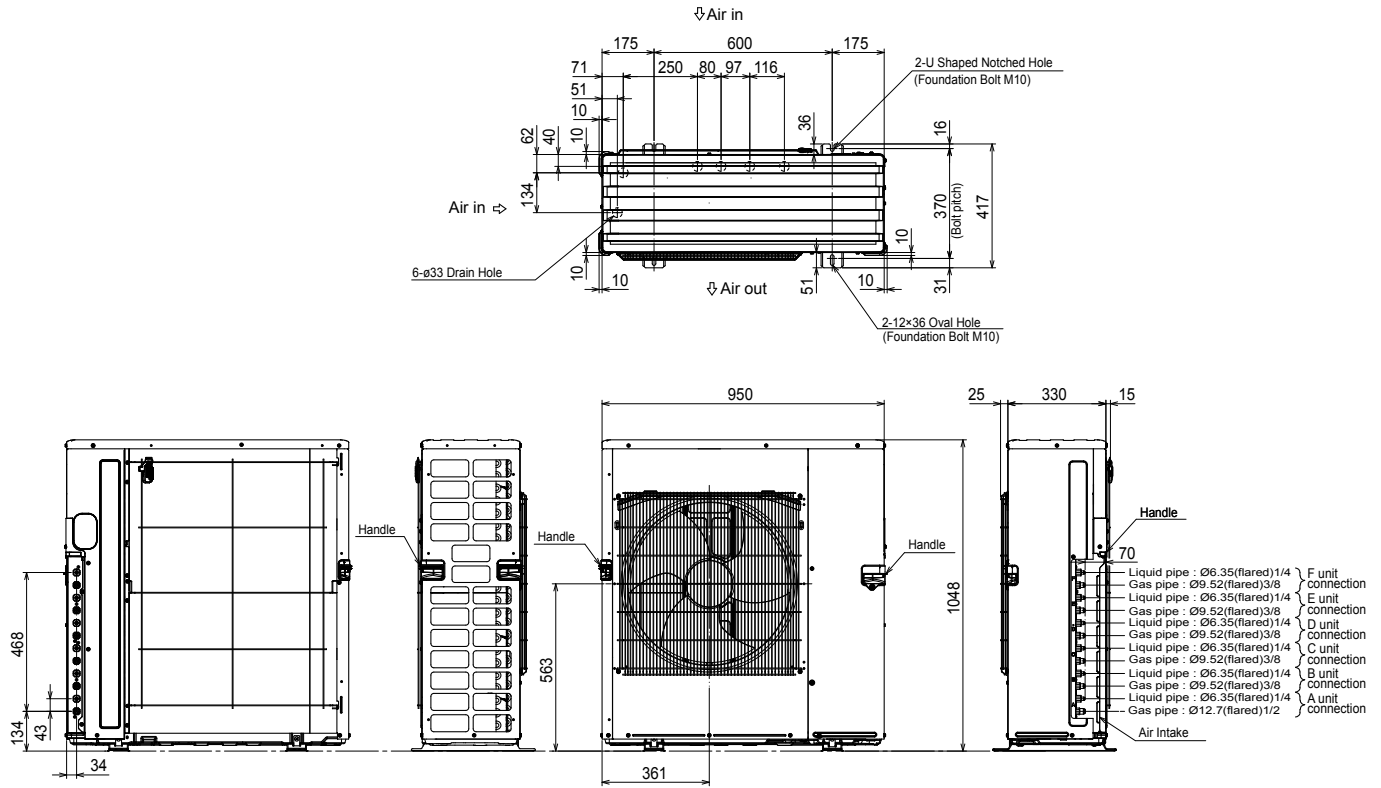


**2. Service space**

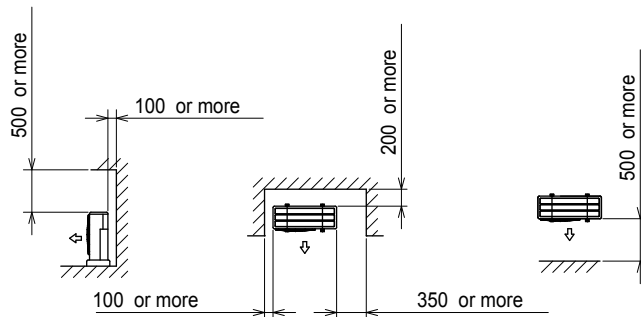


# MXZ-6D122VA

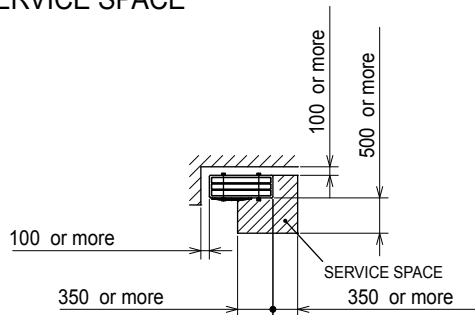
Unit: mm



## 1.FREE SPACE

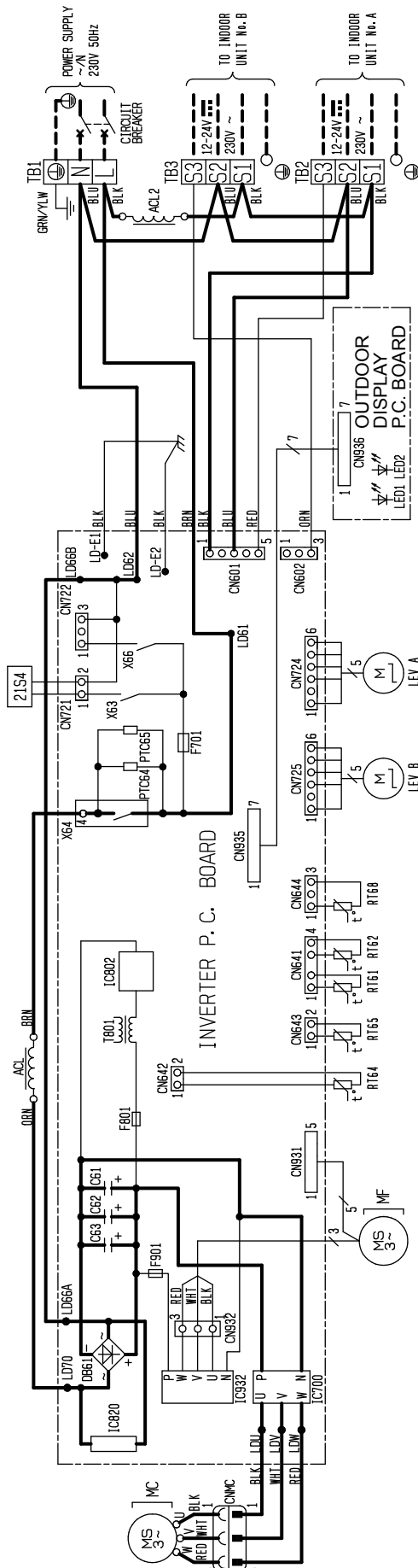


## 2.SERVICE SPACE





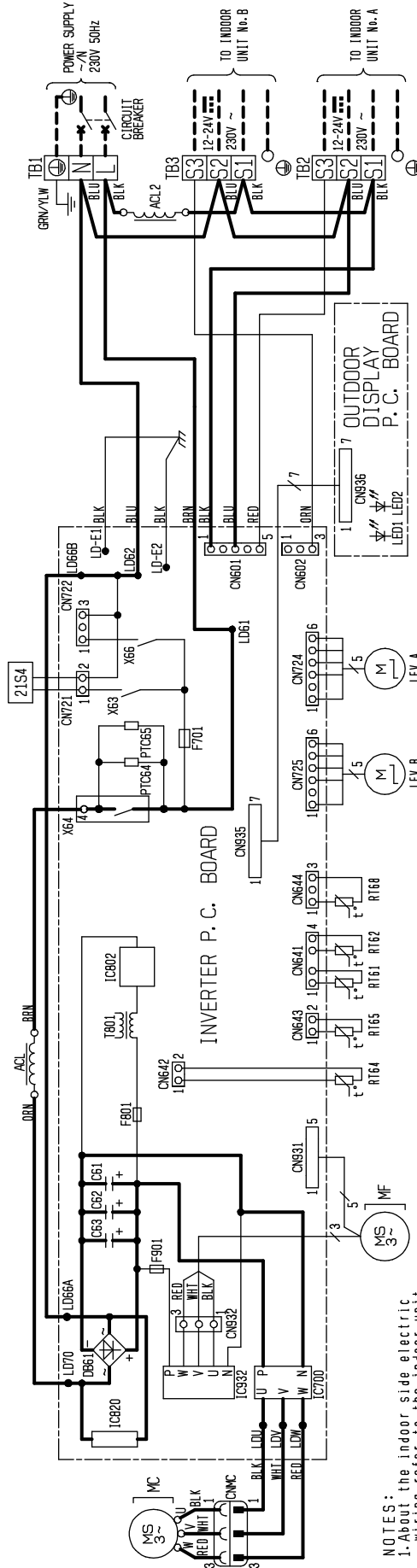
MXZ-2D33VA -[E1] MXZ-2D40VA -[E1] MXZ-2D53VA -[E1]



- NOTES:
1. About the indoor side electric wiring refer to the indoor unit electric wiring diagram for servicing. (For field wiring).
  2. Use copper conductors only.
  3. Symbols below indicate.
    - : Terminal block
    - : Connector

SYMBOL	NAME	SYMBOL	NAME	SYMBOL	NAME
ACL, ACL2	REACTOR	R165	EXPANSION VALVE COIL	R165	AMBIENT TEMP. THERMISTOR
C61, C62, C63	SMOOTHING CAPACITOR	MC	COMPRESSOR	R168	OUTDOOR HEAT EXCHANGER TEMP. THERMISTOR
DB61	DIODE MODULE	MF	FAN MOTOR	TB1, TB2, TB3	TEMP. THERMISTOR TERMINAL BLOCK
F701, F801, F901	FUSE (T3-15A(1250V))	PTC64, PTC65	CIRCUIT PROTECTOR	T801	SWITCHING TRANS RELAY
IC700, IC820, IC932	POWER MODULE	RT61	DEFROST THERMISTOR	X63, X64	REVERSING VALVE COIL
IC802	POWER DEVICE	RT62	DISCHARGE TEMP. THERMISTOR		
LED1, LED2	LED	RT64	FIN TEMP. THERMISTOR	21S4	

MXZ-2D33VA -E2    MXZ-2D42VA -E2    MXZ-2D53VA -E2

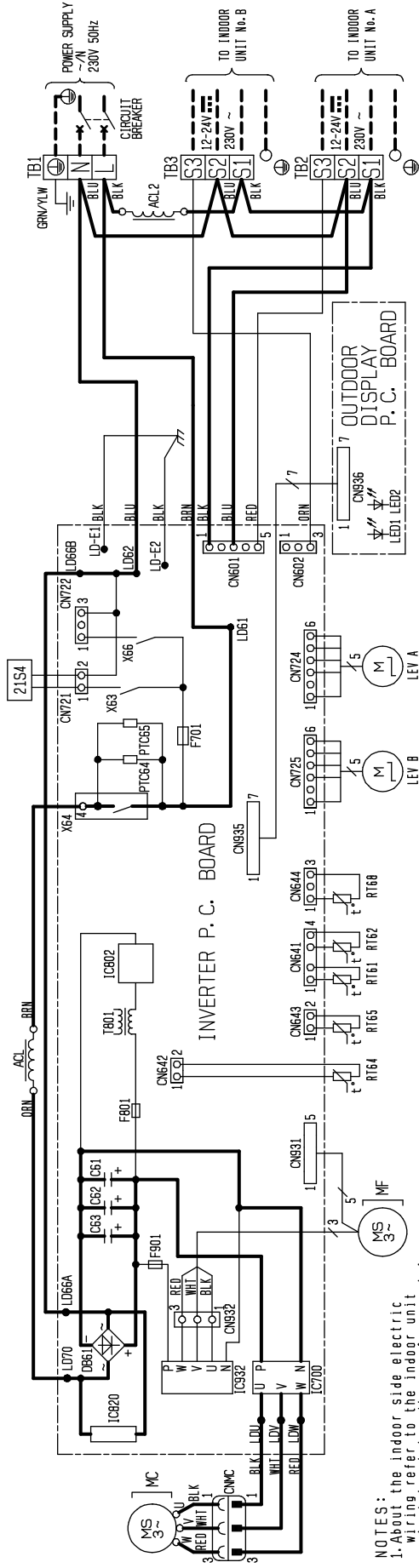


- NOTES:
1. About the indoor side electric wiring refer to the indoor unit electric wiring diagram for servicing.
  2. Use copper conductors only. (For field wiring).
  3. Symbols below indicate.
    - : Terminal block
    - : Connector

SYMBOL	NAME	SYMBOL	NAME	SYMBOL	NAME
ACL, ACL2	REACTOR	LEV A, LEV B	EXPANSION VALVE COIL	RT65	AMBIENT TEMP. THERMISTOR
C61, C62, C63	SMOOTHING CAPACITOR	MC	COMPRESSOR	RT68	OUTDOOR HEAT EXCHANGER TEMP. THERMISTOR
DB61	DIODE MODULE	MF	FAN MOTOR	TB1, TB2, TB3	TERMINAL BLOCK
F701, F801, F901	FUSE (T3, 15AL250V)	PTC64, PTC65	CIRCUIT PROTECTOR	T801	SWITCHING TRANS RELAY
IC820, IC822	POWER MODULE	RT61	DEFROST THERMISTOR	X63, X64	REVERSING VALVE COIL
IC802	POWER DEVICE	RT62	DISCHARGE TEMP. THERMISTOR		
LED1, LED2	LED	RT64	F.I.N TEMP. THERMISTOR		



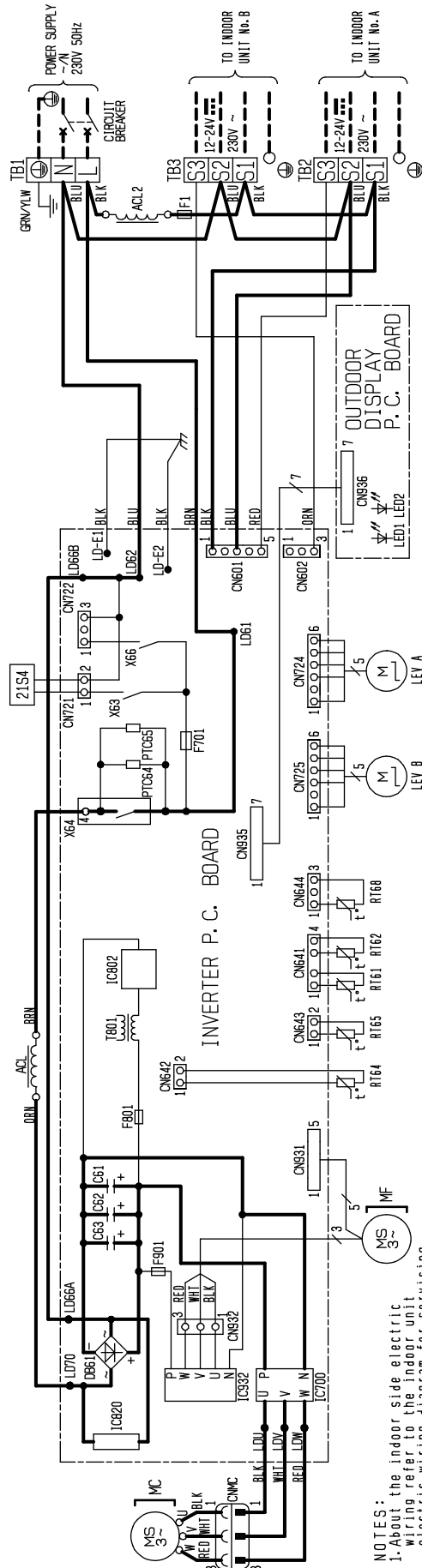
MXZ-2D33VA -ER2    MXZ-2D40VA -ER2    MXZ-2D53VA -ER2



- NOTES:
1. About the indoor side electric wiring refer to the indoor unit electric wiring diagram for servicing.
  2. Use copper conductors only. (For field wiring).
  3. Symbols below indicate.  
 ○: Terminal block  
 □: Connector

SYMBOL	NAME	SYMBOL	NAME	SYMBOL	NAME
ACL, ACL2	REACTOR	LEV A, LEV B	EXPANSION VALVE COIL	RT65	AMBIENT TEMP. THERMISTOR
C61, C62, C63	SMOOTHING CAPACITOR	MC	COMPRESSOR	RT68	OUTDOOR HEAT EXCHANGER TEMP. THERMISTOR
DB61	DIODE MODULE	MF	FAN MOTOR	TB1, TB2, TB3	TERMINAL BLOCK
F701, F901	FUSE (T3, 15A/250V)	PTC64, PTC65	CIRCUIT PROTECTOR	T801	SWITCHING TRANS RELAY
IC700, IC820, IC932	POWER MODULE	RT61	DEFROST THERMISTOR	X63, X64	REVERSING VALVE COIL
IC802	POWER DEVICE	RT62	DISCHARGE TEMP. THERMISTOR	21S4	
LED1, LED2	LED	RT64	FIN TEMP. THERMISTOR		

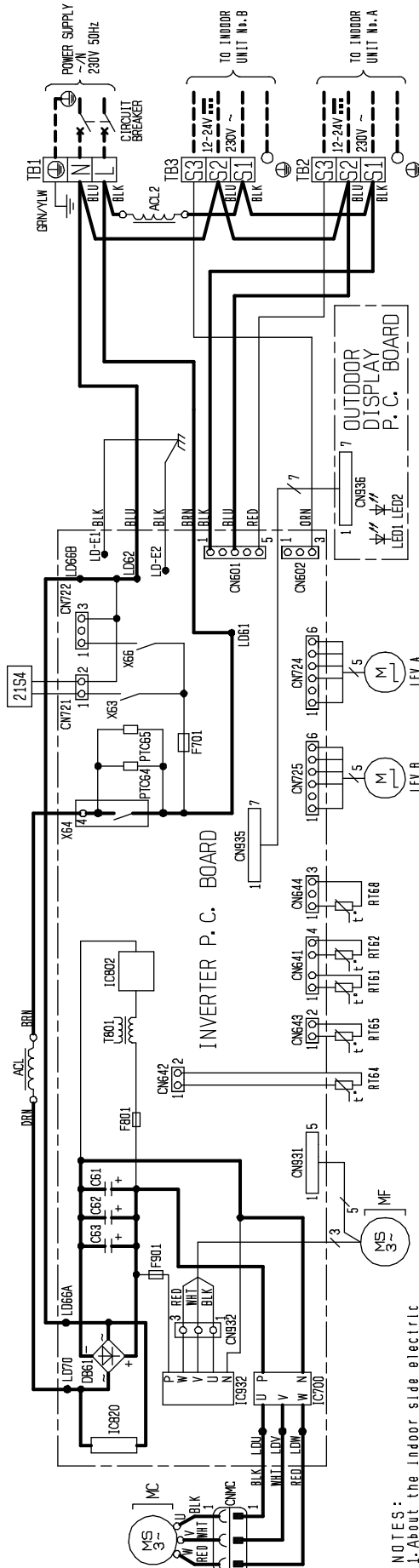
MXZ-2D33VA -ER3    MXZ-2D42VA -ER3    MXZ-2D53VA -ER3



- NOTES:
1. About the indoor side electric wiring refer to the indoor unit electric wiring diagram for servicing.
  2. Use copper conductors only.
  3. Symbols below indicate.
    - : Terminal block
    - : Connector

SYMBOL	NAME	SYMBOL	NAME	SYMBOL	NAME
ACL,ACL2	REACTOR	LEV A, LEV B	EXPANSION VALVE COIL	RT65	AMBIENT TEMP. THERMISTOR
C61,C62,C63	SMOOTHING CAPACITOR	MC	COMPRESSOR	RT68	OUTDOOR HEAT EXCHANGER TEMP. THERMISTOR
DB61	DIODE MODULE	MF	FAN MOTOR	TB1, TB2, TB3	TERMINAL BLOCK
F701,F701-F701-F1	FUSE (T3,15A,250V)	PTC64,PTC65	CIRCUIT PROTECTOR	T801	SWITCHING TRANS RELAY
IC700,IC820,IC932	POWER MODULE	RT61	DEFROST THERMISTOR	X63,X64,X66	REVERSING VALVE COIL
IC802	POWER DEVICE	RT62	DISCHARGE TEMP. THERMISTOR	21S4	
LED1,LED2	LED	RT64	F.I.N TEMP. THERMISTOR		

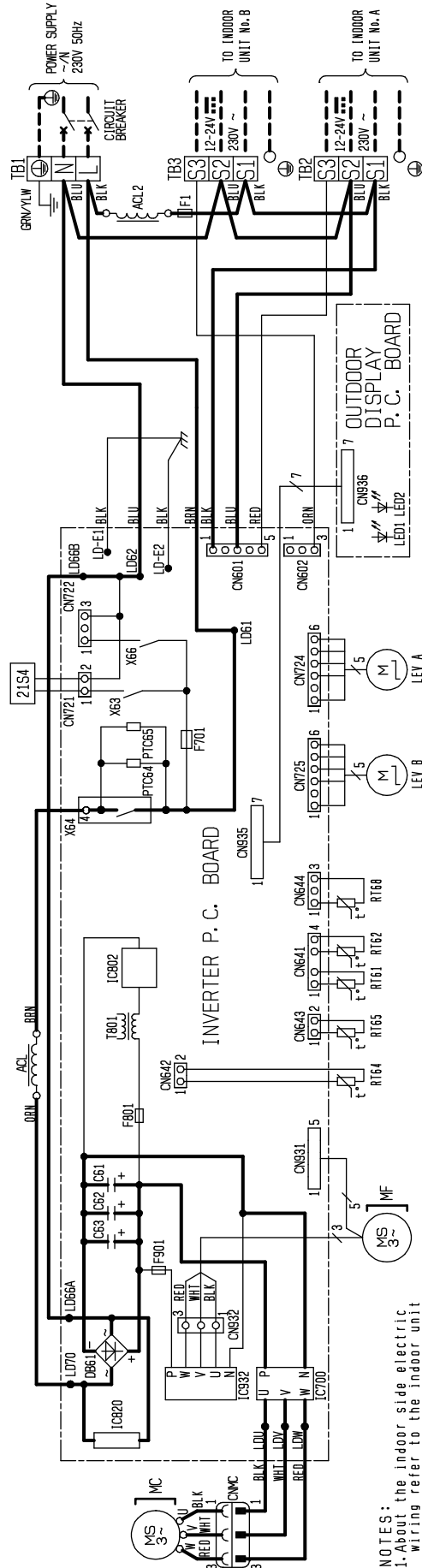
MXZ-2D33VA - [ET2]    MXZ-2D42VA - [ET2]    MXZ-2D53VA - [ET2]



- NOTES:
- About the indoor side electric wiring refer to the indoor unit electric wiring diagram for servicing. (For field wiring.)
  - Use copper conductors only.
  - Symbols below indicate.  
 [ ] : Terminal block  
 [ ] : Connector

SYMBOL	NAME	SYMBOL	NAME	SYMBOL	NAME
ACL, ACL2	REACTOR	RT65	EXPANSION VALVE COIL	RT65	AMBIENT TEMP. THERMISTOR
C61, C62, C63	SMOOTHING CAPACITOR	MC	COMPRESSOR	RT68	OUTDOOR HEAT EXCHANGER TEMP. THERMISTOR
D661	DIODE MODULE	MF	FAN MOTOR	TB1, TB2, TB3	TERMINAL BLOCK
F701, F901, F901	FUSE (T3, 1.5A/250V)	PTC64, PTC65	CIRCUIT PROTECTOR	T801	SWITCHING TRANS RELAY
IC700, IC920, IC932	POWER MODULE	RT61	DEFROST THERMISTOR	X63, X64	REVERSING VALVE COIL
IC802	POWER DEVICE	RT62	DISCHARGE TEMP. THERMISTOR	2154	
LED1, LED2	LED	RT64	F.I.N TEMP. THERMISTOR		

MXZ-2D33VA - [ET3]    MXZ-2D42VA - [ET3]    MXZ-2D53VA - [ET3]



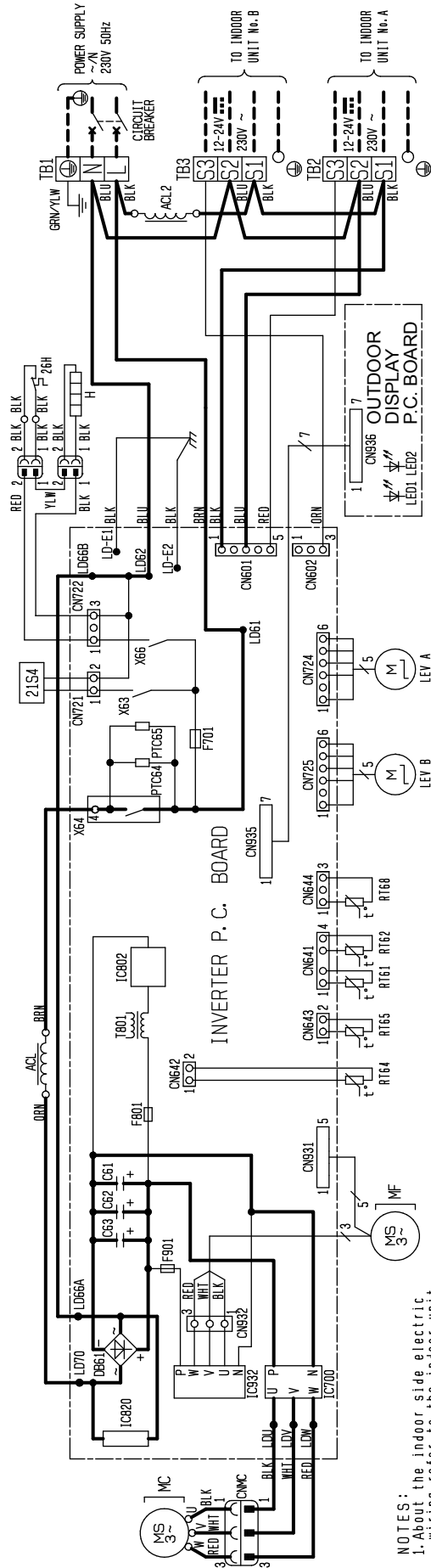
- NOTES:
- About the indoor side electric wiring refer to the indoor unit electric wiring diagram for servicing.
  - Use copper conductors only. (For field wiring).
  - Symbols below indicate.
    - : Terminal block
    - /○: Connector

SYMBOL	NAME	SYMBOL	NAME	SYMBOL	NAME
ACL, ACL2	REACTOR	LEV A, LEV B	EXPANSION VALVE COIL	RT65	AMBIENT TEMP. THERMISTOR
C61, C62, C63	SMOOTHING CAPACITOR	MC	COMPRESSOR	RT68	OUTDOOR HEAT EXCHANGER TEMP. THERMISTOR
DB61	DIODE MODULE	MF	FAN MOTOR	TB1, TB2, TB3	TEMP. THERMISTOR
F70, F80, F90, F1	FUSE (T3, 15A/250V)	PTC64, PTC65	CIRCUIT PROTECTOR	T801	TERMINAL BLOCK
IC700, IC820, IC932	POWER MODULE	RT61	DEFROST THERMISTOR	X63, X64, X66	SWITCHING TRANS RELAY
IC802	POWER DEVICE	RT62	DISCHARGE TEMP. THERMISTOR	21S4	REVERSING VALVE COIL
LED1, LED2	LED	RT64	F IN TEMP. THERMISTOR		





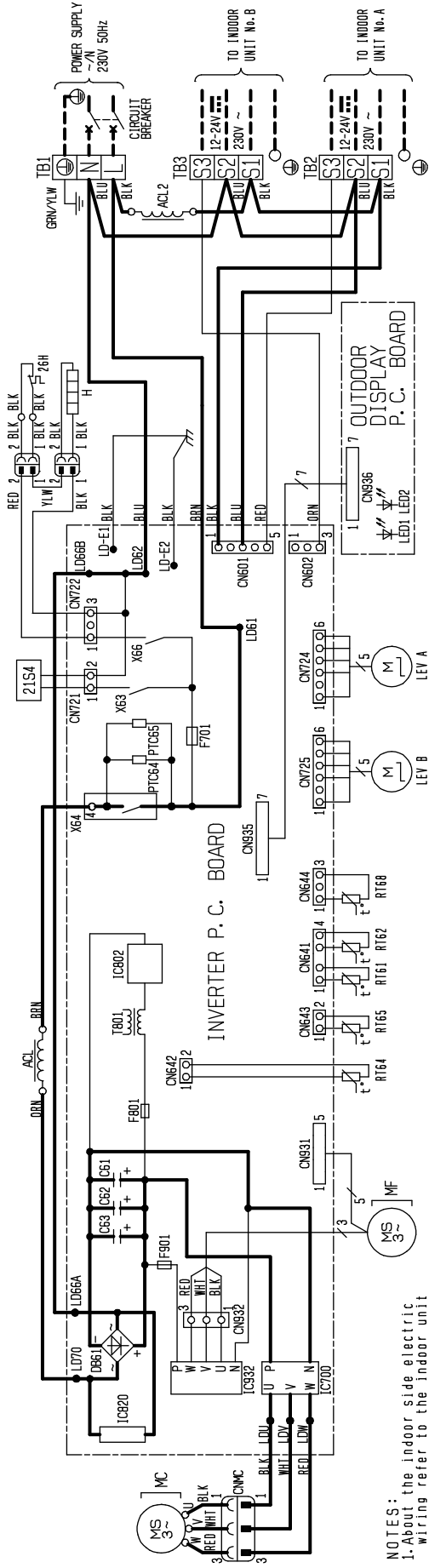
MXZ-2D53VAH -E1



- NOTES:
1. About the indoor side electric wiring refer to the indoor unit electric wiring diagram for servicing.
  2. Use copper conductors only. (For field wiring).
  3. Symbols below indicate.
    - : Terminal block
    - : Connector

SYMBOL	NAME	SYMBOL	NAME	SYMBOL	NAME
ACL,ACL2	REACTOR	LEV A,LEV B	EXPANSION VALVE COIL	RT68	OUTDOOR HEAT EXCHANGER TEMP. THERMISTOR
C61,C62,C63	SMOOTHING CAPACITOR	MC	COMPRESSOR	TB1, TB2, TB3	TERMINAL BLOCK
DB61	DIODE MODULE	MF	FAN MOTOR	T801	SWITCHING TRANS RELAY
F701,F801,F901	FUSE (13, 15AL250V)	PTC64, PTC65	CIRCUIT PROTECTOR	X63, X64, X66	REVERSING VALVE COIL
IC700, IC820, IC932	POWER MODULE	RT61	DEFROST THERMISTOR	21S4	HEATER PROTECTOR
IC802	POWER DEVICE	RT62	DISCHARGE TEMP. THERMISTOR	26H	HEATER PROTECTOR
LED1, LED2	LED	RT64	FIN TEMP. THERMISTOR		
		RT65	AMBIENT TEMP. THERMISTOR		

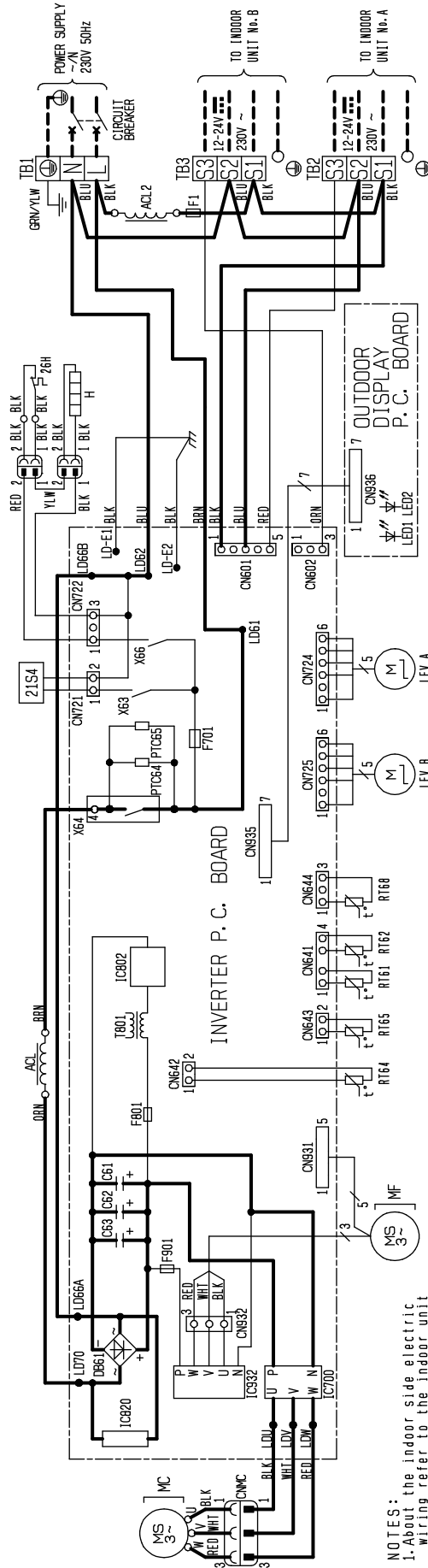
MXZ-2D53VAH - [E2]



- NOTES:
1. About the indoor side electric wiring refer to the indoor unit electric wiring diagram for servicing.
  2. Use copper conductors only. (For field wiring).
  3. Symbols below indicate.
    - □ □ □ □ : Terminal block
    - ○ ○ ○ ○ : Connector

SYMBOL	NAME	SYMBOL	NAME	SYMBOL	NAME
ACL, ACL2	REACTOR	LEV A, LEV B	EXPANSION VALVE COIL		OUTDOOR HEAT EXCHANGER
C61, C62, C63	SMOOTHING CAPACITOR	MC	COMPRESSOR	RT68	OUTDOOR TEMP. THERMISTOR
DB61	DIODE MODULE	MF	FAN MOTOR	TB1, TB2, TB3	TERMINAL BLOCK
F701, F801, F901	FUSE (T3, 15A(250V))	PTC64, PTC65	CIRCUIT PROTECTOR	T801	SWITCHING TRANS RELAY
H	DEFROST HEATER	RT61	DEFROST THERMISTOR	X63, X64, X66	REVERSING VALVE COIL
IC820, IC932	POWER MODULE	RT62	DISCHARGE TEMP. THERMISTOR	2154	HEATER PROTECTOR
IC802	POWER DEVICE	RT64	F IN TEMP. THERMISTOR		
LED1, LED2	LED	RT65	AMBIENT TEMP. THERMISTOR		

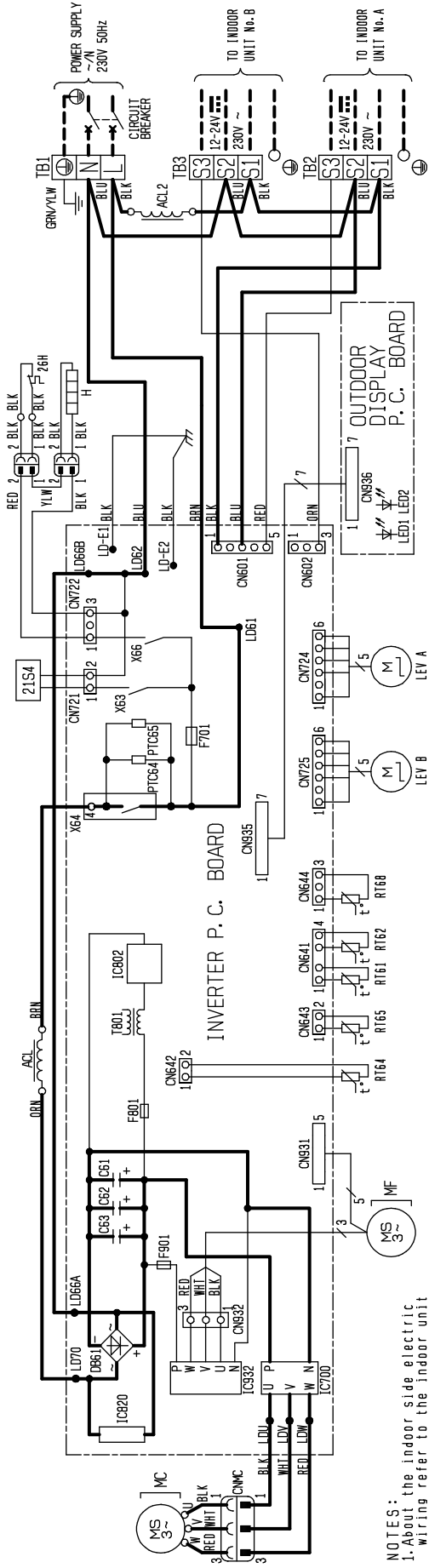
MXZ-2D53VAH -E3



- NOTES:
1. About the indoor side electric wiring refer to the indoor unit electric wiring diagram for servicing.
  2. Use copper conductors only. (For field wiring).
  3. Symbols below indicate.
    - : Terminal block
    - : Connector

SYMBOL	NAME	SYMBOL	NAME	SYMBOL	NAME
ACL, ACL2	REACTOR	LEV A, LEV B	EXPANSION VALVE COIL		OUTDOOR HEAT EXCHANGER
C61, C62, C63	SMOOTHING CAPACITOR	MC	COMPRESSOR	RT68	TEMP. THERMISTOR
DB61	DIODE MODULE	MF	FAN MOTOR	TB1, TB2, TB3	TERMINAL BLOCK
F701, F801, F901, F1	FUSE (T3, 1.5A(250V))	PTC64, PTC65	CIRCUIT PROTECTOR	T801	SWITCHING TRANS RELAY
IC700, IC820, IC932	POWER MODULE	RT61	DEFROST THERMISTOR	X63, X64, X66	REVERSING VALVE COIL
IC902	POWER DEVICE	RT62	DISCHARGE TEMP. THERMISTOR	21S4	HEATER PROTECTOR
LED1, LED2	LED	RT65	AMBIENT TEMP. THERMISTOR		

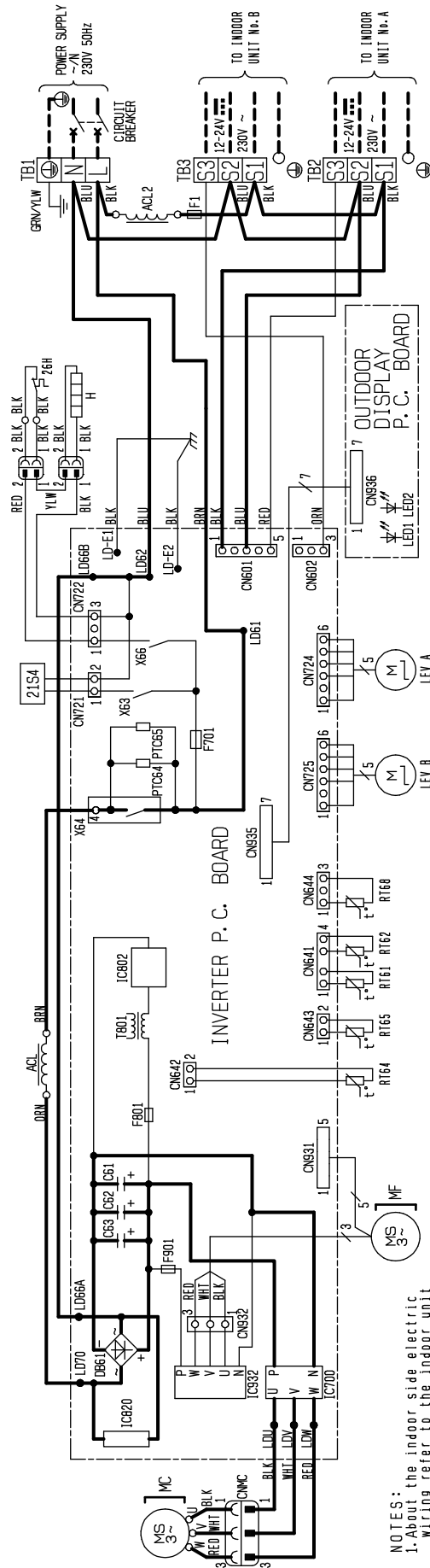
**MXZ-2D53VAH - [ER2]**



- NOTES:**
1. About the indoor side electric wiring refer to the indoor unit electric wiring diagram for servicing.
  2. Use copper conductors only. (For field wiring).
  3. Symbols below indicate.  
 : Terminal block  
 : Connector

SYMBOL	NAME	SYMBOL	NAME	SYMBOL	NAME
ACL, ACL2	REACTOR	LEV A, LEV B	EXPANSION VALVE COIL	RT68	OUTDOOR HEAT EXCHANGER TEMP. THERMISTOR
C61, C62, C63	SMOOTHING CAPACITOR	MC	COMPRESSOR	TB1, TB2, TB3	TERMINAL BLOCK
DB61	DIODE MODULE	MF	FAN MOTOR	T801	SWITCHING TRANS RELAY
F701, F801, F801	FUSE (T3, 1.5A(250V))	PTC64, PTC65	CIRCUIT PROTECTOR	X63, X64, X66	REVERSING VALVE COIL HEATER PROTECTOR
H	DEFROST HEATER	RT61	DEFROST THERMISTOR	21S4	REVERSING VALVE COIL HEATER PROTECTOR
IC700, IC820, IC932	POWER MODULE	RT62	DISCHARGE TEMP. THERMISTOR	26H	HEATER PROTECTOR
IC802	POWER DEVICE	RT64	FIN TEMP. THERMISTOR		
LED1, LED2	LED	RT65	AMBIENT TEMP. THERMISTOR		

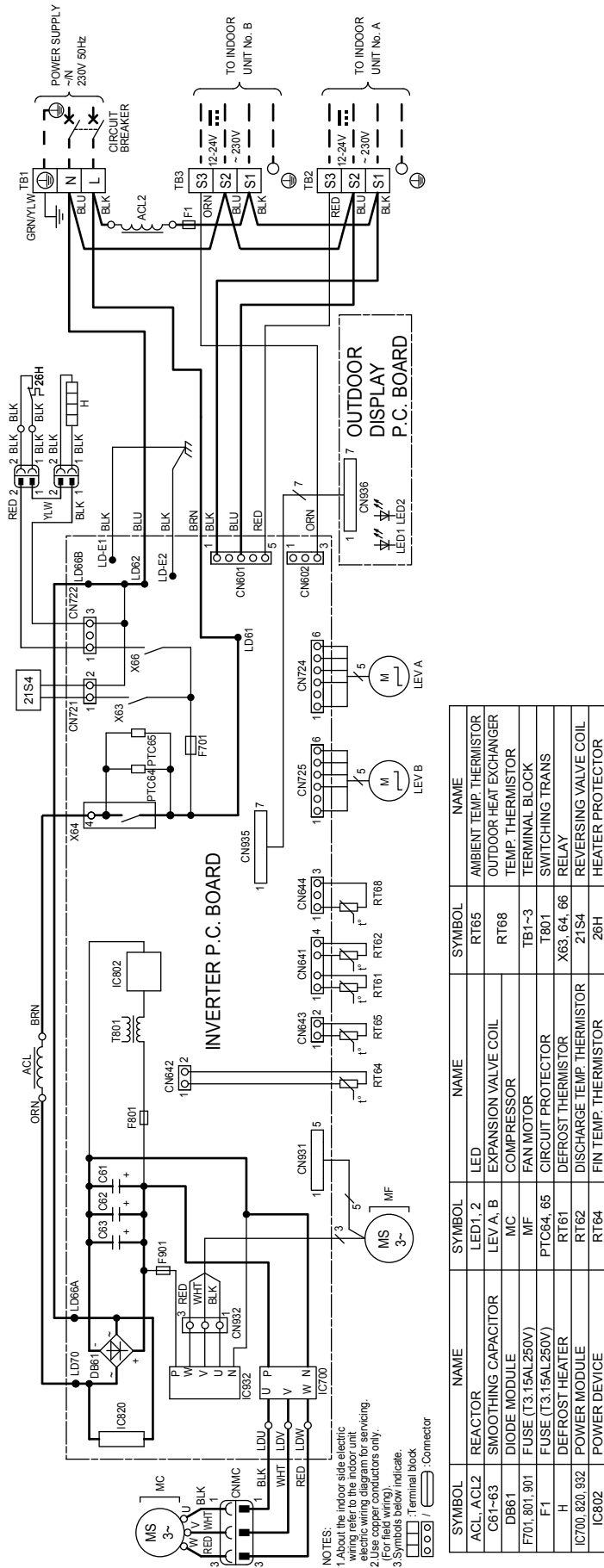
MXZ-2D53VAH -ER3



- NOTES:
1. About the indoor side electric wiring refer to the indoor unit electric wiring diagram for servicing.
  2. Use copper conductors only.
  3. Symbols below indicate.

: Terminal block  
 : Connector

SYMBOL	NAME	SYMBOL	NAME	SYMBOL	NAME
ACL,ACL2	REACTOR	LEV A,LEV B	EXPANSION VALVE COIL	RT68	OUTDOOR HEAT EXCHANGER TEMP. THERMISTOR
C61,C62,C63	SMOOTHING CAPACITOR	MC	COMPRESSOR	TB1, TB2, TB3	TERMINAL BLOCK
D661	DIODE MODULE	MF	FAN MOTOR	T801	SWITCHING TRANS RELAY
F701,F801,F901,F1	FUSE (T.3,15A(250V))	PTC64,PTC65	CIRCUIT PROTECTOR	X63,X64,X66	REVERSING VALVE COIL
IC820,IC830,IC932	DEFROST HEATER POWER MODULE	RT61	DEFROST THERMISTOR	21S4	HEATER PROTECTOR
IC820	POWER DEVICE	RT62	DISCHARGE TEMP. THERMISTOR		
LED1,LED2	LED	RT64	F.I.N TEMP. THERMISTOR		
		RT65	AMBIENT TEMP. THERMISTOR		



SYMBOL	NAME	SYMBOL	NAME	SYMBOL	NAME
ACL, ACL2	REACTOR	LED1, 2	LED	RT65	AMBIENT TEMP. THERMISTOR
C61-63	SMOOTHING CAPACITOR	LEV A, B	EXPANSION VALVE COIL	RT68	OUTDOOR HEAT EXCHANGER TEMP. THERMISTOR
DB61	DIODE MODULE	MC	COMPRESSOR	TB1-3	TERMINAL BLOCK
F701, 801, 901	FUSE (T3.15A/250V)	MF	FAN MOTOR	T801	SWITCHING TRANS
F1	FUSE (T3.15A/250V)	PTC64, 65	CIRCUIT PROTECTOR	X63, 64, 66	RELEAY
H	DEFROST HEATER	RT61	DEFROST THERMISTOR	2T54	REVERSING VALVE COIL
IC700, 820, 932	POWER MODULE	RT62	DISCHARGE TEMP. THERMISTOR	26H	HEATER PROTECTOR
IC802	POWER DEVICE	RT64	FIN TEMP. THERMISTOR		



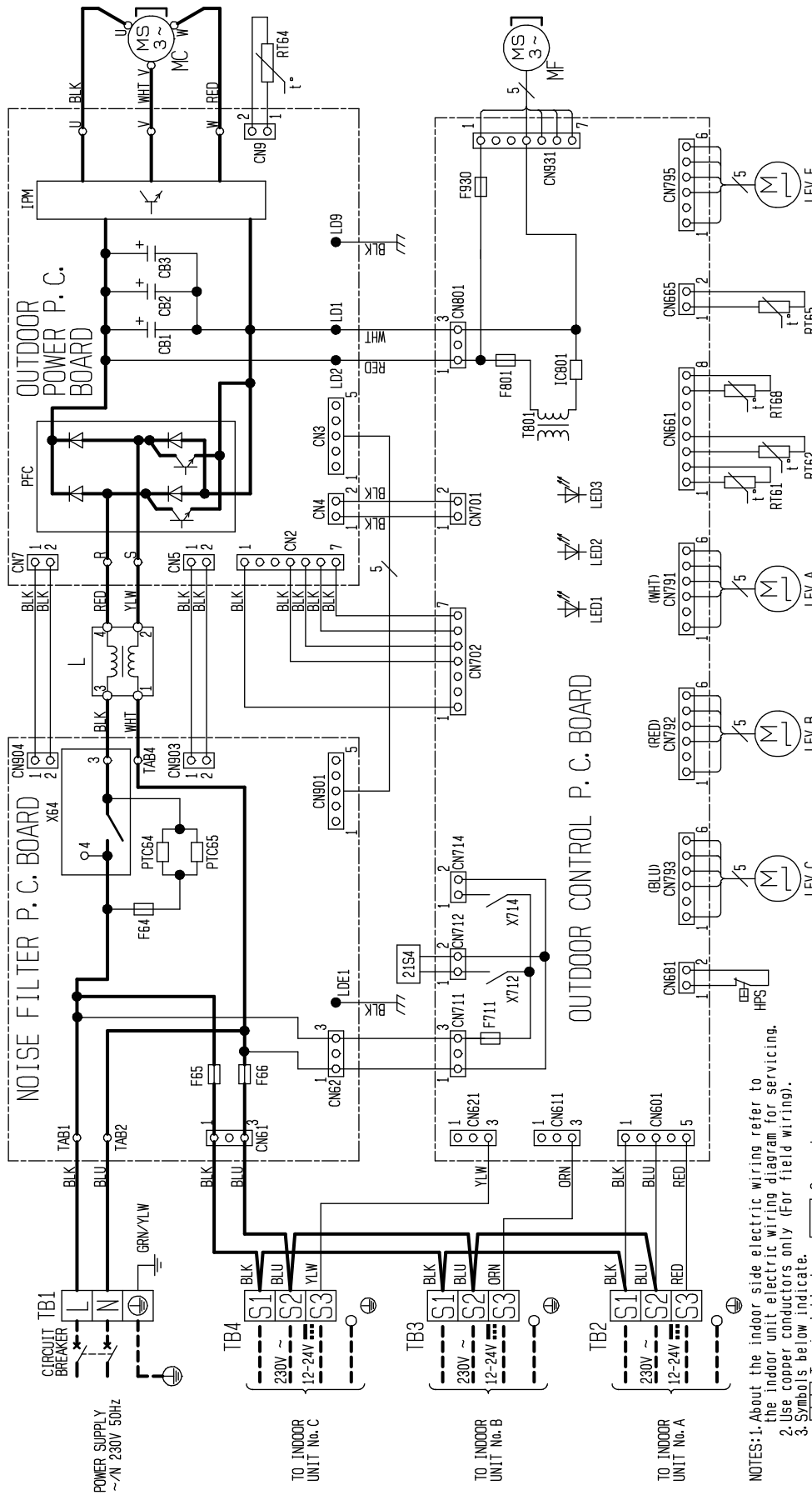








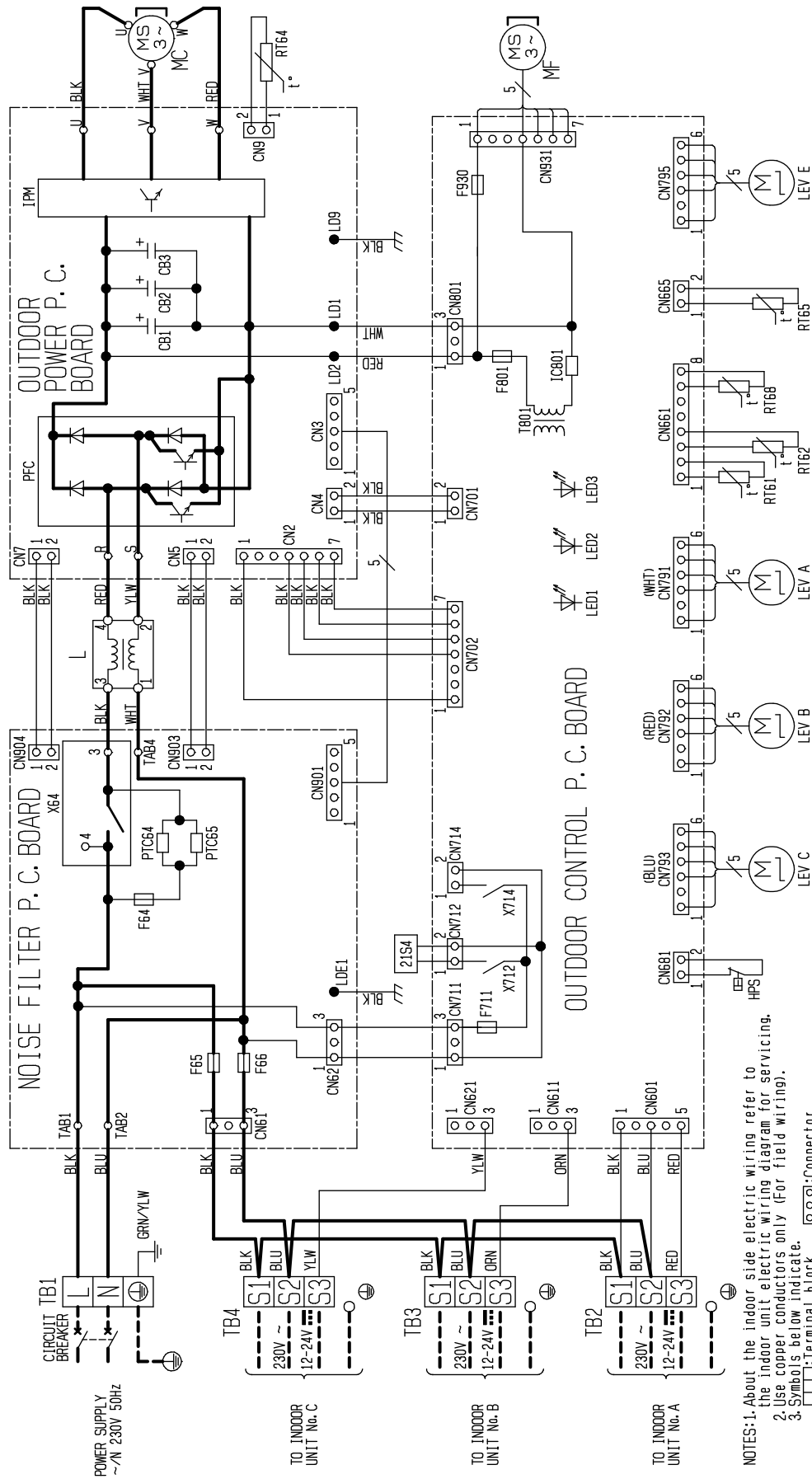
MXZ-3D54VA2 - ER3



NOTES: 1. About the indoor side electric wiring refer to the indoor unit electric wiring diagram for servicing.  
 2. Use copper conductors only (For field wiring).  
 3. Symbols below indicate.  
 □: Terminal block  
 ○: Connector

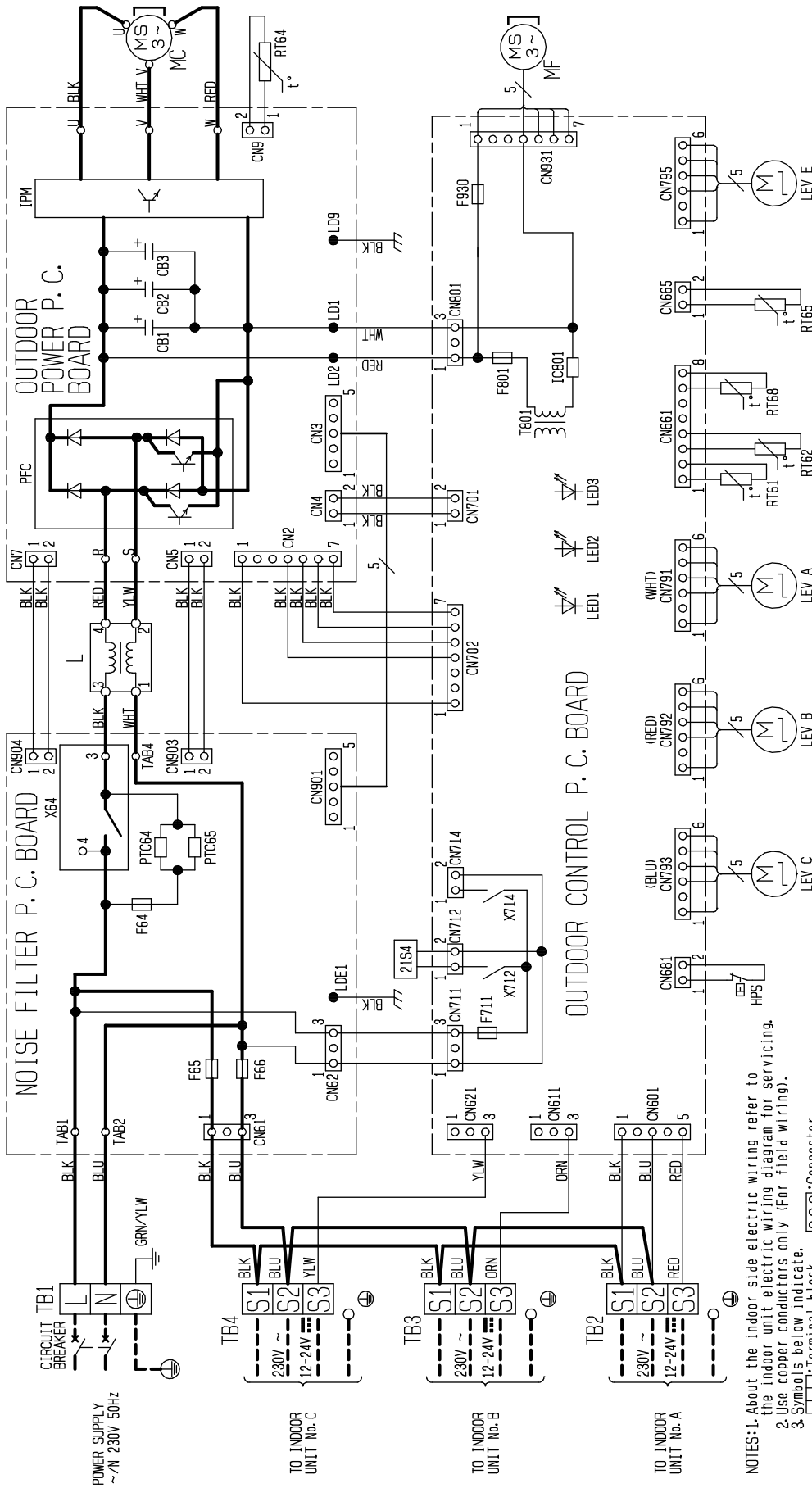
SYMBOL	NAME	SYMBOL	NAME	SYMBOL	NAME	SYMBOL	NAME
CB1 ~ 3	SMOOTHING CAPACITOR	IC801	POWER DEVICE	MC	COMPRESSOR	RT64	F IN TEMP. THERMISTOR
F64	FUSE (T2AL250V)	IPM	POWER MODULE	MF	FAN MOTOR	RT65	AMBIENT TEMP. THERMISTOR
F65, 66	FUSE (T6.3AL250V)	L	REACTOR	PFC	POWER FACTOR CONTROLLER	RT66	OUTDOOR HEAT EXCHANGER TEMP. THERMISTOR
F711, 801, 930	FUSE (T3.15AL250V)	LED1, 2, 3	LED	PTC64, 65	CIRCUIT PROTECTION	T801	TRANSFORMER
HPS	HIGH PRESSURE SWITCH	LEV A ~ C	EXPANSION VALVE	RT61	DEFROST THERMISTOR	TB1 ~ 4	TERMINAL BLOCK
		LEV E	EXPANSION VALVE	RT62	DISCHARGE TEMP. THERMISTOR	X64	RELAY
						X712, 714	RELAY
						21S4	REVERSING VALVE SOLENOID COIL





NOTES: 1. About the indoor side electric wiring refer to the indoor unit electric wiring diagram for servicing.  
 2. Use copper conductors only (For field wiring).  
 3. Symbols below indicate.  
 □: Terminal block  
 ○: Connector

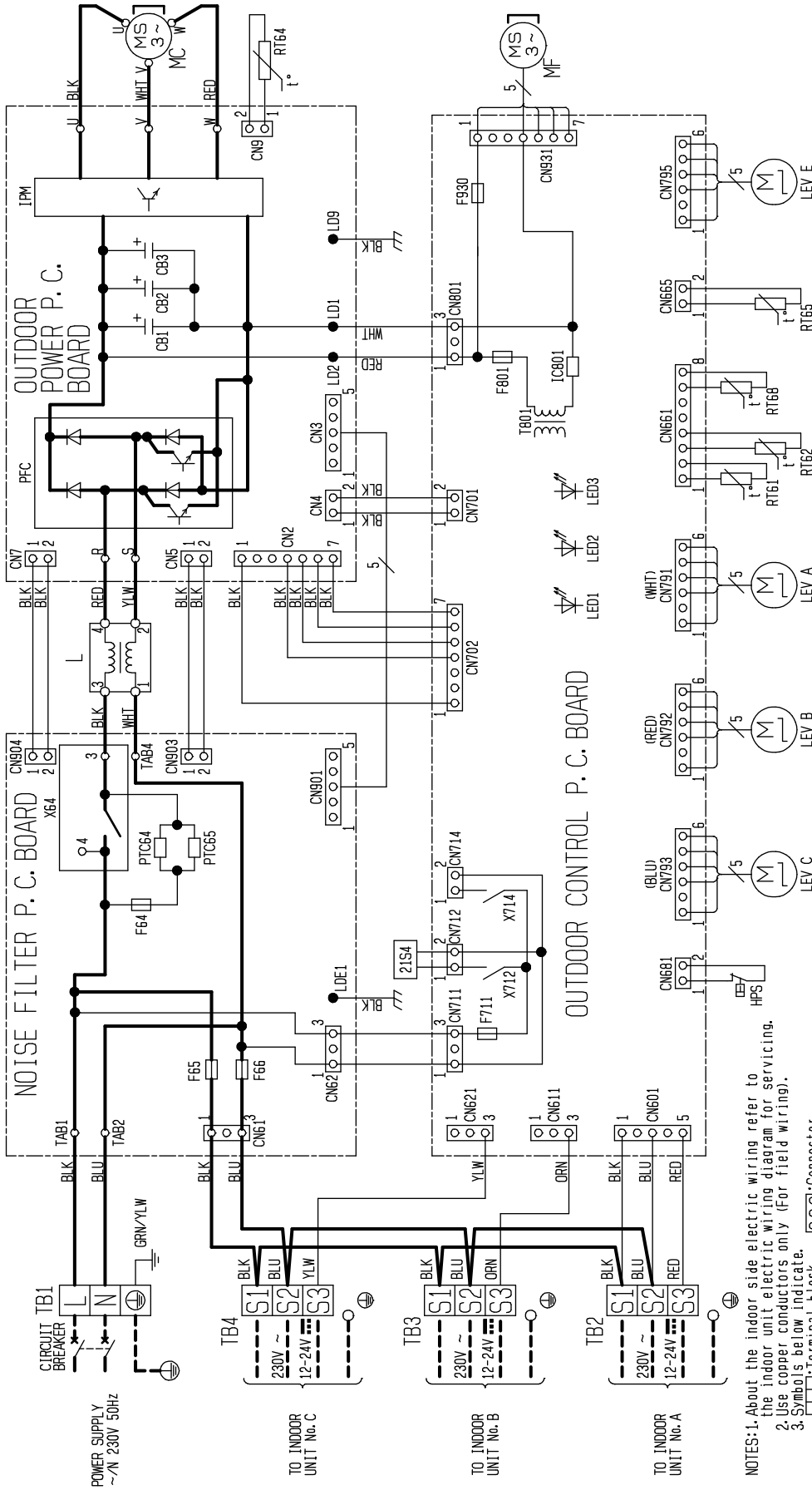
SYMBOL	NAME	SYMBOL	NAME	SYMBOL	NAME	SYMBOL	NAME
CB1~3	SMOOTHING CAPACITOR	MC	COMPRESSOR	RT64	F IN TEMP. THERMISTOR	X712, 714	RELAY
F64	FUSE (T2AL250V)	MF	FAN MOTOR	RT65	AMBIENT TEMP. THERMISTOR	21S4	REVERSING VALVE SOLENOID COIL
F65, 66	FUSE (T6-3AL250V)	PFC	POWER FACTOR CONTROLLER	RT66	OUTDOOR HEAT EXCHANGER TEMP. THERMISTOR		
F711, 801, 930	FUSE (T3-15AL250V)	PTC64, 65	CIRCUIT PROTECTION	T801	TRANSFORMER		
HPS	HIGH PRESSURE SWITCH	RT61	DEFROST THERMISTOR	TB1~4	TERMINAL BLOCK		
		RT62	DISCHARGE TEMP. THERMISTOR	X64	RELAY		



NOTES: 1. About the indoor side electric wiring refer to the indoor unit electric wiring diagram for servicing.  
 2. Use copper conductors only (For field wiring).  
 3. Symbols below indicate.  
 □: terminal block    ⊞: Connector

SYMBOL	NAME	SYMBOL	NAME	SYMBOL	NAME	SYMBOL	NAME
CB1~3	SMOOTHING CAPACITOR	IC801	POWER DEVICE	MC	COMPRESSOR	RT64	FIN TEMP. THERMISTOR
F64	FUSE (T2AL250V)	IPM	POWER MODULE	MF	FAN MOTOR	RT65	AMBIENT TEMP. THERMISTOR
F65, 66	FUSE (T6, 3AL250V)	L	REACTOR	PFC	POWER FACTOR CONTROLLER	RT68	OUTDOOR HEAT EXCHANGER TEMP. THERMISTOR
F711, 801, 930	FUSE (T3, 15AL250V)	LED1, 2, 3	LED	PTC64, 65	CIRCUIT PROTECTION	T801	TRANSFORMER
HPS	HIGH PRESSURE SWITCH	LEV A~C	EXPANSION VALVE	RT61	DEFROST THERMISTOR	TB1~4	TERMINAL BLOCK
		LEV E	EXPANSION VALVE	RT62	DISCHARGE TEMP. THERMISTOR	X64	RELAY
						X712, 714	RELAY
						2154	REVERSING VALVE SOLENOID COIL





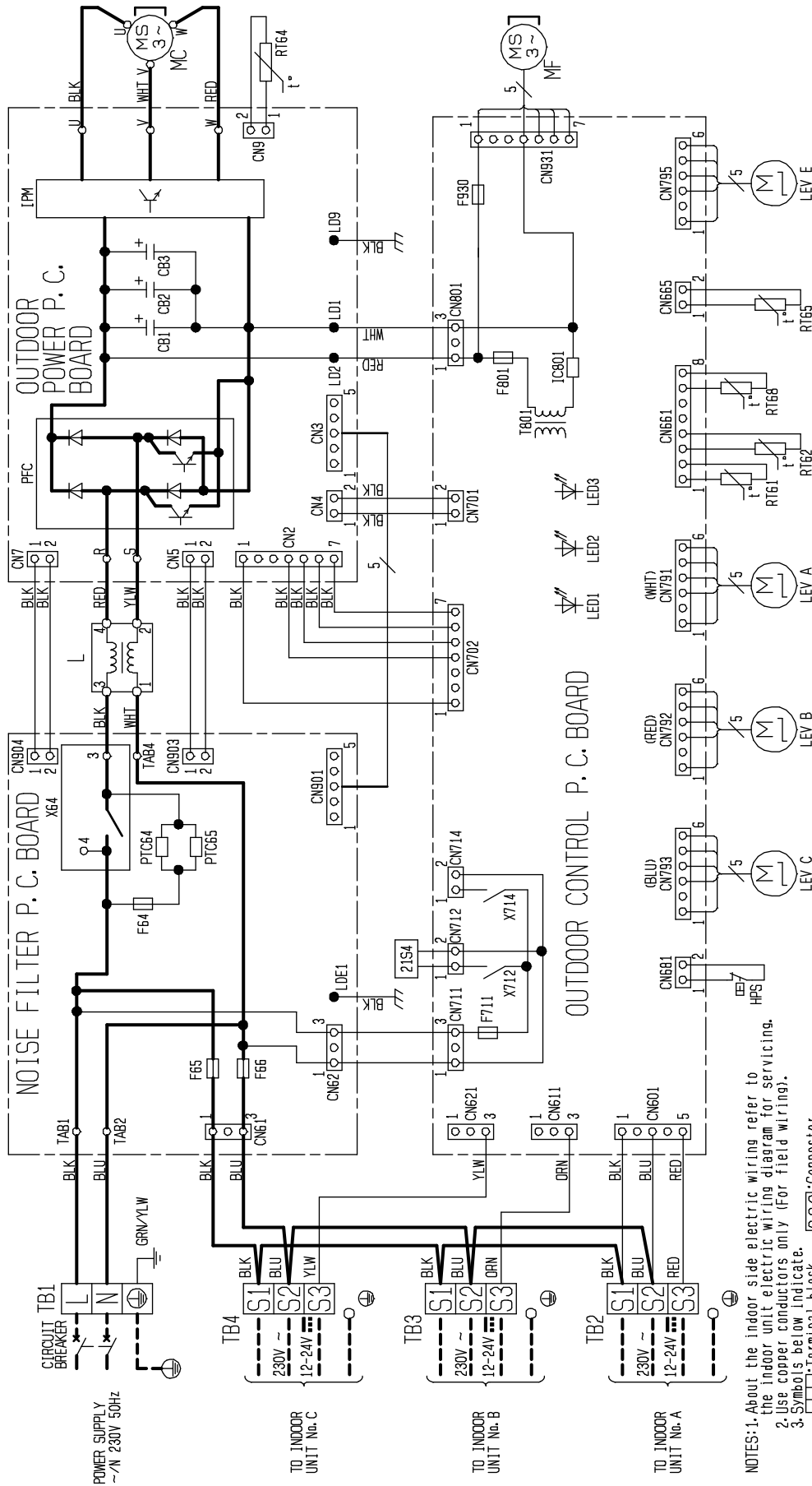
NOTES: 1. About the indoor side electric wiring refer to the indoor unit electric wiring diagram for servicing.  
 2. Use copper conductors only (For field wiring).  
 3. Symbols below indicate.  
 □: Terminal block  
 ○: Connector

SYMBOL	NAME	SYMBOL	NAME	SYMBOL	NAME	SYMBOL	NAME
C801-3	SMOOTHING CAPACITOR	IC801	POWER DEVICE	MC	COMPRESSOR	RT64	FIN TEMP. THERMISTOR
F64	FUSE (T2AL250V)	IPM	POWER MODULE	MF	FAN MOTOR	RT65	AMBIENT TEMP. THERMISTOR
F65, 66	FUSE (T6.3AL250V)	L	REACTOR	PFC	POWER FACTOR CONTROLLER	RT68	OUTDOOR HEAT EXCHANGER TEMP. THERMISTOR
F711, 801, 930	FUSE (T3.15AL250V)	LED1, 2, 3	LED	PTC64, 65	CIRCUIT PROTECTION	T801	TRANSFORMER
HPS	HIGH PRESSURE SWITCH	LEV A~C	EXPANSION VALVE	RT61	DEFROST THERMISTOR	TB1~4	TERMINAL BLOCK
		LEV E	EXPANSION VALVE	RT62	DISCHARGE TEMP. THERMISTOR	X64	RELAY
				X712, 714	RELAY		REVERSING VALVE SOLENOID COIL
				2IS4			



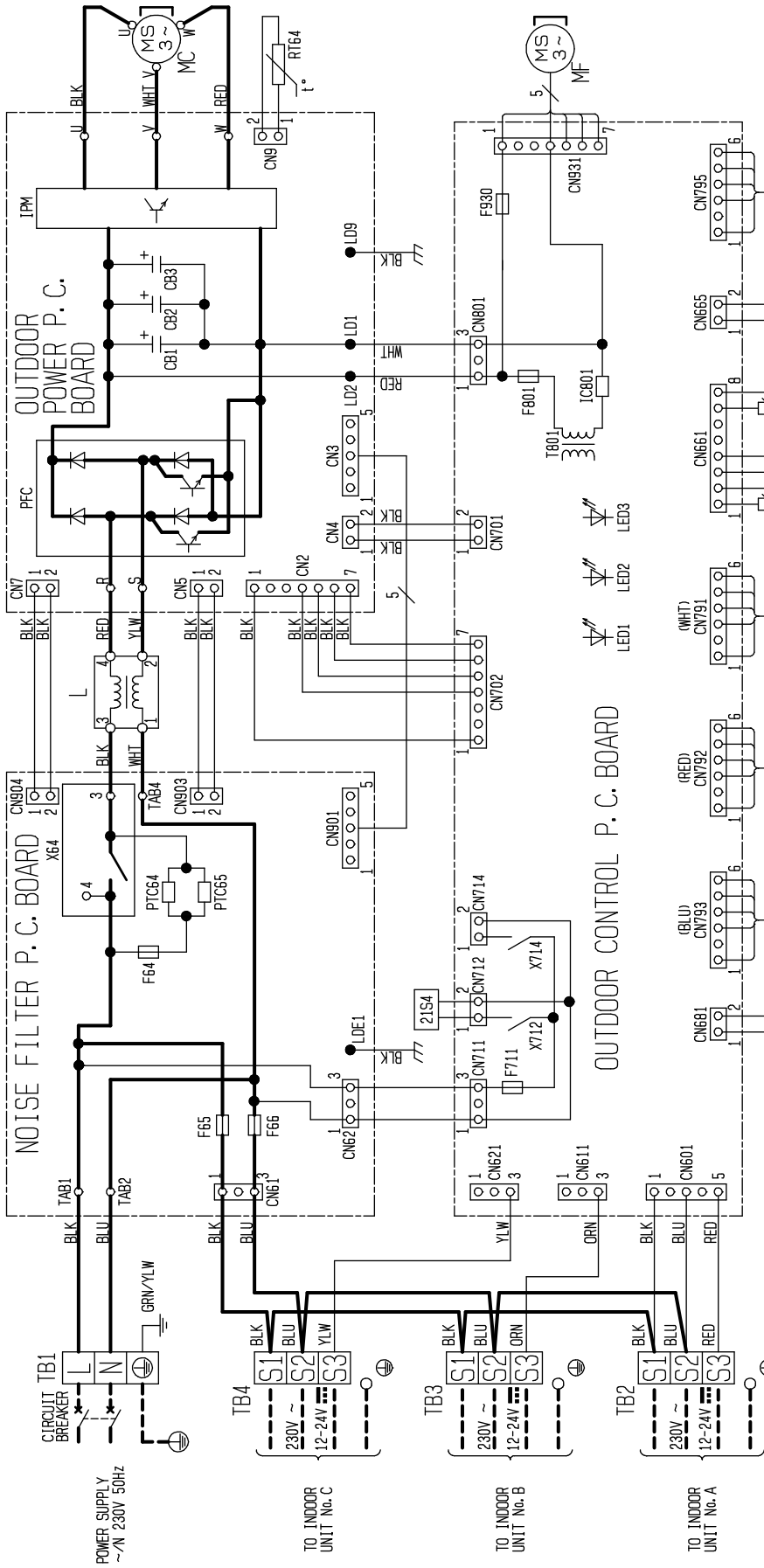






NOTES: 1. About the indoor side electric wiring refer to the indoor unit electric wiring diagram for servicing.  
 2. Use copper conductors only (For field wiring).  
 3. Symbols below indicate:  
 □: Terminal block  
 ○: Connector

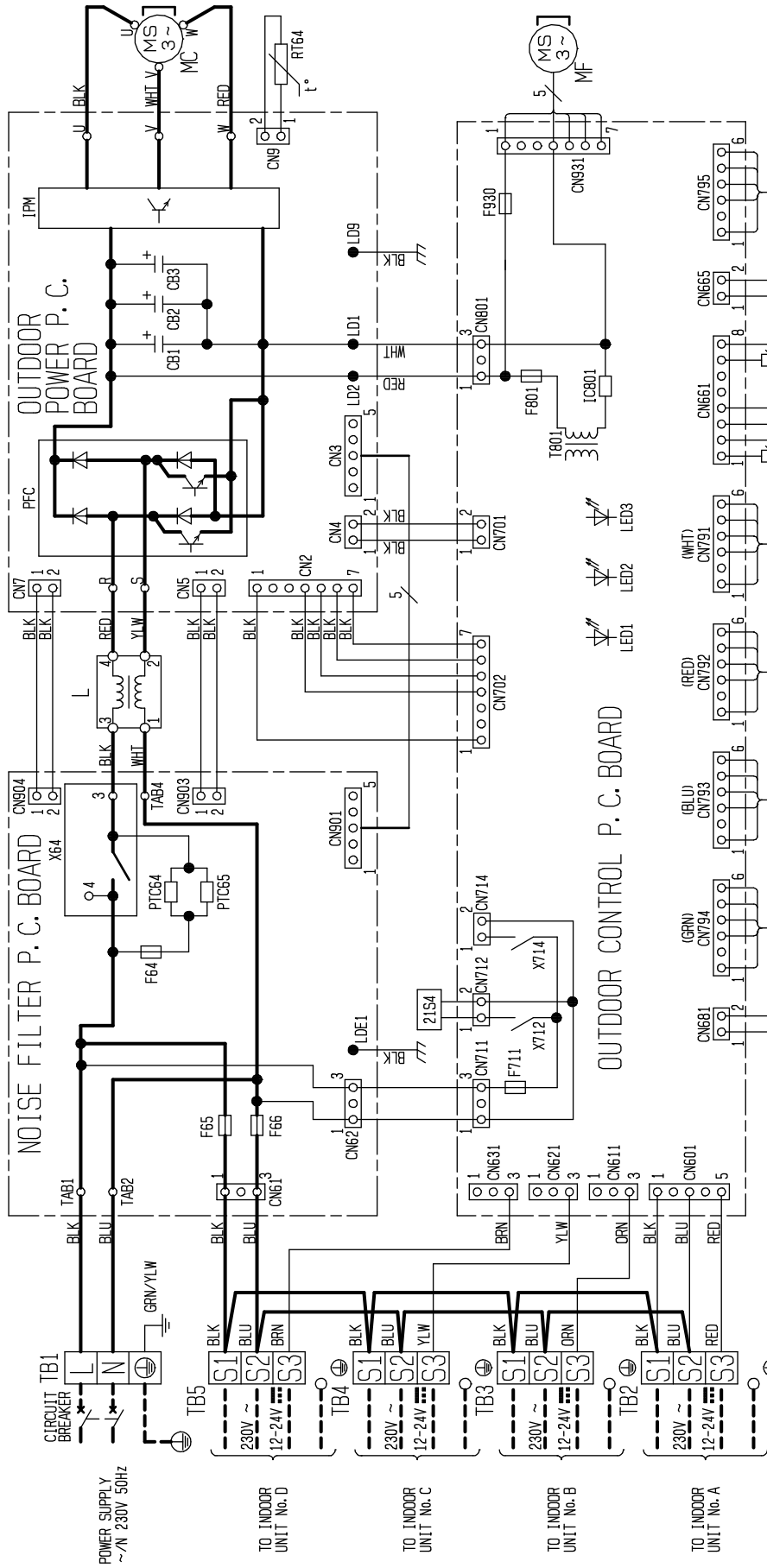
SYMBOL	NAME	SYMBOL	NAME	SYMBOL	NAME	SYMBOL	NAME
IC801	SMOOTHING CAPACITOR	MC	COMPRESSOR	RT64	F IN TEMP. THERMISTOR	X712, 714	RELAY
IPM	POWER DEVICE	MF	FAN MOTOR	RT65	AMBIENT TEMP. THERMISTOR	21S4	REVERSING VALVE SOLENOID COIL
L	POWER MODULE	PFC	POWER FACTOR CONTROLLER	RT68	OUTDOOR HEAT EXCHANGER TEMP. THERMISTOR		
LED1, 2, 3	LED	PTC64, 65	CIRCUIT PROTECTION	T801	TRANSFORMER		
LEV A~C	EXPANSION VALVE	RT61	DEFROST THERMISTOR	TB1~4	TERMINAL BLOCK		
LEV E	EXPANSION VALVE	RT62	DISCHARGE TEMP. THERMISTOR	X64	RELAY		



NOTES: 1. About the indoor side electric wiring, refer to the indoor unit electric wiring diagram for servicing.  
 2. Use copper conductors only (For field wiring).  
 3. Symbols below indicate.  
 □: Terminal block  
 ○: Connector

SYMBOL	NAME	SYMBOL	NAME	SYMBOL	NAME	SYMBOL	NAME
CB1~3	SMOOTHING CAPACITOR	IC801	POWER DEVICE	MC	COMPRESSOR	RT64	FIN TEMP. THERMISTOR
F64	FUSE (T2AL250V)	IPM	POWER MODULE	MF	FAN MOTOR	RT65	AMBIENT TEMP. THERMISTOR
F65, 66	FUSE (T6, 3AL250V)	L	REACTOR	PFC	POWER FACTOR CONTROLLER	RT68	OUTDOOR HEAT EXCHANGER TEMP. THERMISTOR
F711, 801, 930	FUSE (T3, 15AL250V)	LED1, 2, 3	LED	PTC64, 65	CIRCUIT PROTECTION	T801	TRANSFORMER
HPS	HIGH PRESSURE SWITCH	LEV A~C	EXPANSION VALVE	RT61	DEFROST THERMISTOR	TB1~4	TERMINAL BLOCK
		LEV E	EXPANSION VALVE	RT62	DISCHARGE TEMP. THERMISTOR	XB4	RELAY
				X712, 714	RELAY	X712, 714	RELAY
				21S4	REVERSING VALVE SOLENOID COIL	21S4	REVERSING VALVE SOLENOID COIL

MXZ-4D72VA -E1

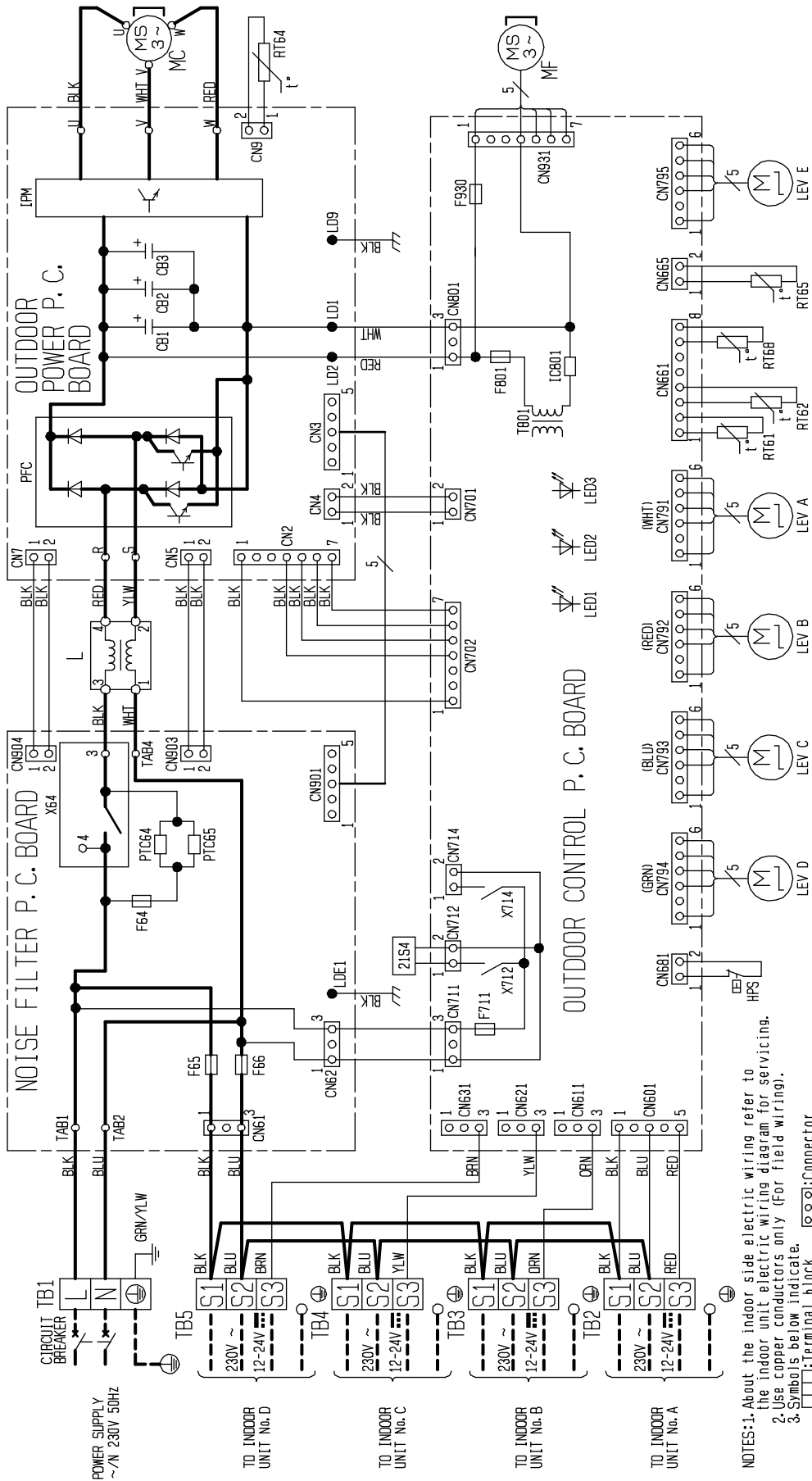


NOTES: 1. About the indoor side electric wiring refer to the indoor unit electric wiring diagram for servicing.  
 2. Use copper conductors only (for field wiring).  
 3. Symbols below indicate.  
 □: Terminal block  
 ○: Connector

SYMBOL	NAME	SYMBOL	NAME	SYMBOL	NAME	SYMBOL	NAME
CB1~3	SMOOTHING CAPACITOR	MC	COMPRESSOR	RT64	F IN TEMP. THERMISTOR	X712, 714	RELAY
F64	FUSE (T2AL250V)	MF	FAN MOTOR	RT65	AMBIENT TEMP. THERMISTOR	21S4	REVERSING VALVE SOLENOID COIL
F65, 66	FUSE (T6, 3AL250V)	PFC	POWER FACTOR CONTROLLER	RT68	OUTDOOR HEAT EXCHANGER TEMP. THERMISTOR		
F711, 801, 930	FUSE (T3, 15AL250V)	PTC64, 65	CIRCUIT PROTECTION	T801	TRANSFORMER		
HPS	HIGH PRESSURE SWITCH	RT61	DEFROST THERMISTOR	TB1~5	TERMINAL BLOCK		
		RT62	DISCHARGE TEMP. THERMISTOR	X64	RELAY		



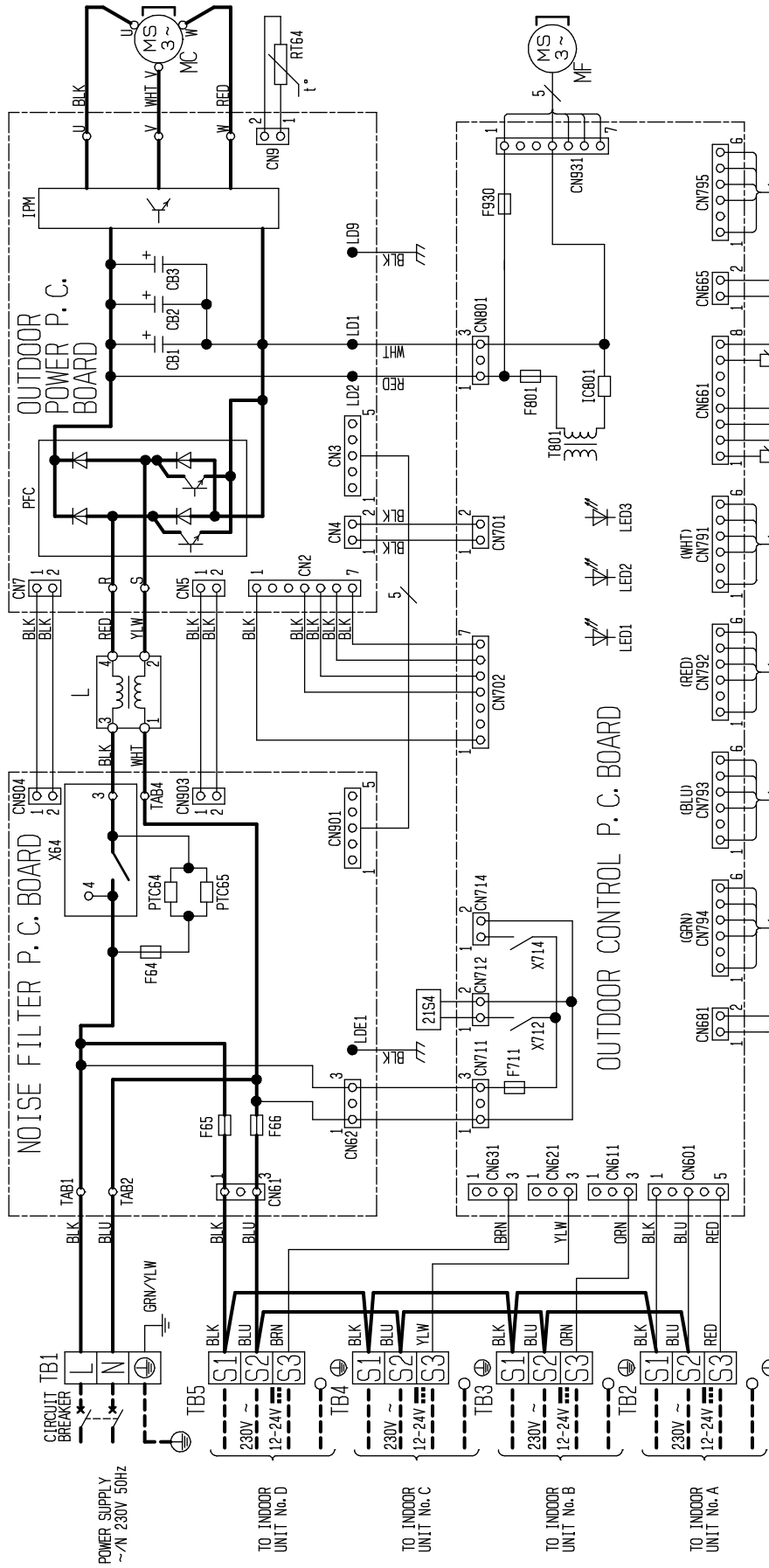




NOTES: 1. About the indoor side electric wiring refer to the indoor unit electric wiring diagram for servicing.  
 2. Use copper conductors only (for field wiring).  
 3. Symbols below indicate.  
 □: Terminal block  
 ○: Connector

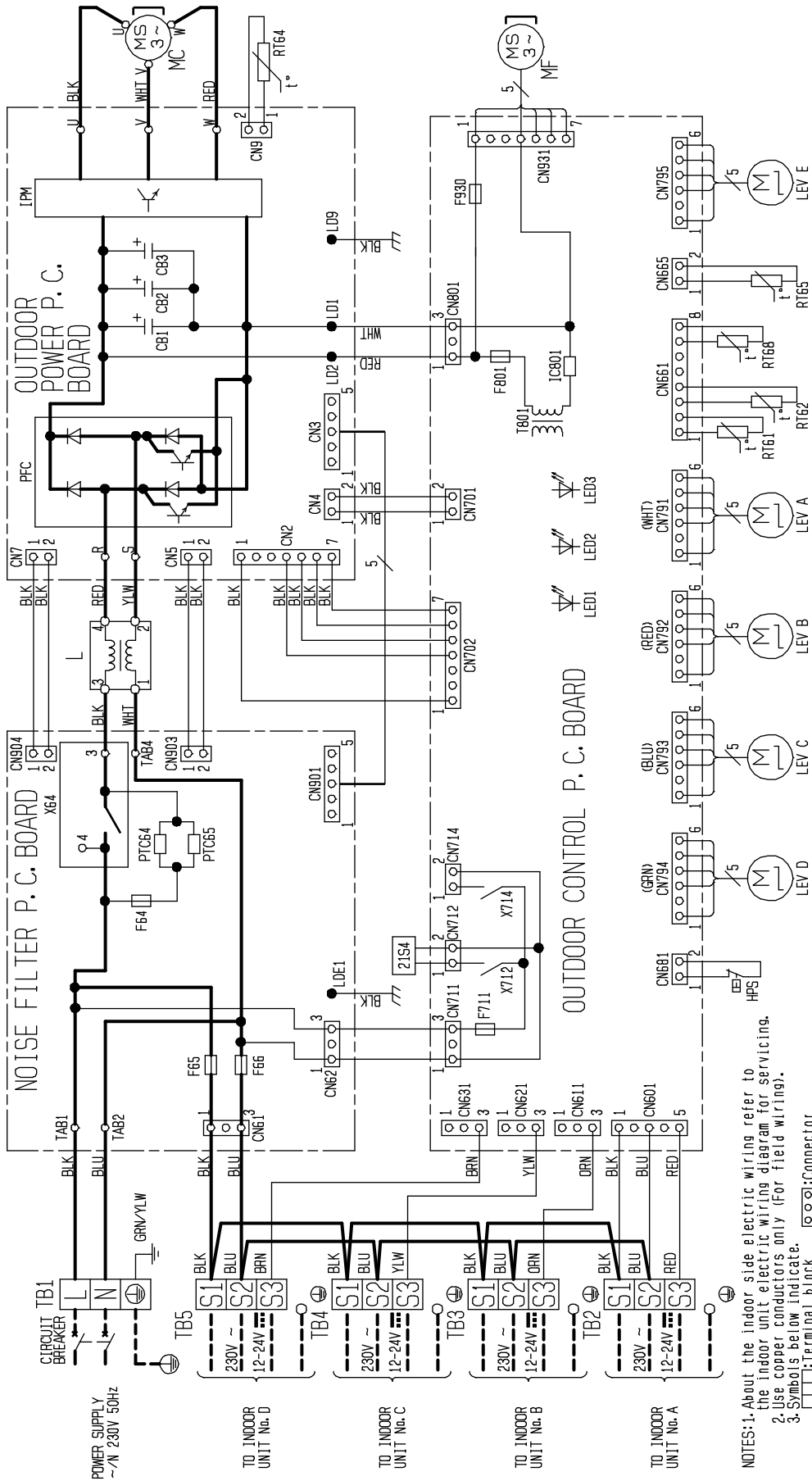
SYMBOL	NAME	SYMBOL	NAME	SYMBOL	NAME	SYMBOL	NAME
C81 ~ 3	SMOOTHING CAPACITOR	MC	COMPRESSOR	RT64	FIN TEMP. THERMISTOR	X71.2, 714	RELAY
F64	FUSE (T2AL250V)	MF	FAN MOTOR	RT65	AMBIENT TEMP. THERMISTOR	21S4	REVERSING VALVE SOLENOID COIL
F65, 66	FUSE (T6.3AL250V)	PFC	POWER FACTOR CONTROLLER	RT68	OUTDOOR HEAT EXCHANGER TEMP. THERMISTOR		
F71.1, 801, 930	FUSE (T3.15AL250V)	PTC64, 65	CIRCUIT PROTECTION	T801	TRANSFORMER		
		RT61	DEFROST THERMISTOR	T81 ~ 5	TERMINAL BLOCK		
		RT62	DISCHARGE TEMP. THERMISTOR	X64	RELAY		





NOTES: 1. About the indoor side electric wiring refer to the indoor unit electric wiring diagram for servicing.  
 2. Use copper conductors only (For field wiring).  
 3. Symbols below indicate:  
 □: Terminal block  
 ○: Connector

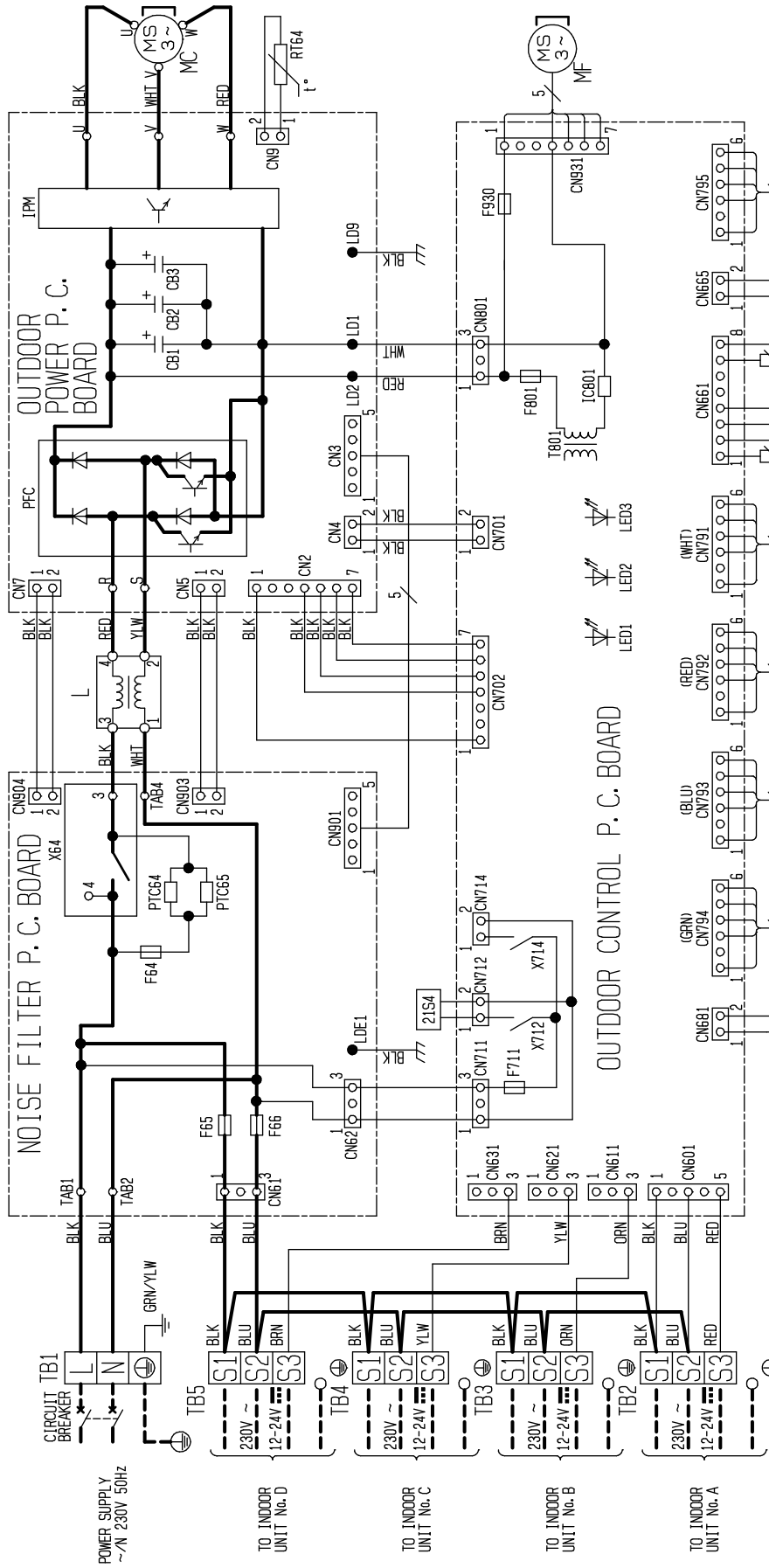
SYMBOL	NAME	SYMBOL	NAME	SYMBOL	NAME	SYMBOL	NAME
CB1 ~ 3	SMOOTHING CAPACITOR	IC801	POWER DEVICE	MC	COMPRESSOR	RT64	F IN TEMP. THERMISTOR
F64	FUSE (T2AL250V)	IPM	POWER MODULE	MF	FAN MOTOR	RT65	AMBIENT TEMP. THERMISTOR
F65, 66	FUSE (T6, 3AL250V)	L	REACTOR	PFC	POWER FACTOR CONTROLLER	RT68	OUTDOOR HEAT EXCHANGER TEMP. THERMISTOR
F711, 801, 930	FUSE (T3, 15AL250V)	LED1, 2, 3	LED	PTC64, 65	CIRCUIT PROTECTION	T801	TRANSFORMER
HPS	HIGH PRESSURE SWITCH	LEV A~D	EXPANSION VALVE	RT61	DEFROST THERMISTOR	TB1 ~ 5	TERMINAL BLOCK
		LEV E	EXPANSION VALVE	RT62	DISCHARGE TEMP. THERMISTOR	X64	RELAY
						X712, 714	RELAY
						21S4	REVERSING VALVE SOLENOID COIL



NOTES: 1. About the indoor side electric wiring refer to the indoor unit electric wiring diagram for servicing.  
 2. Use copper conductors only (For field wiring).  
 3. Symbols below indicate:  
 □: Terminal block  
 ○: Connector

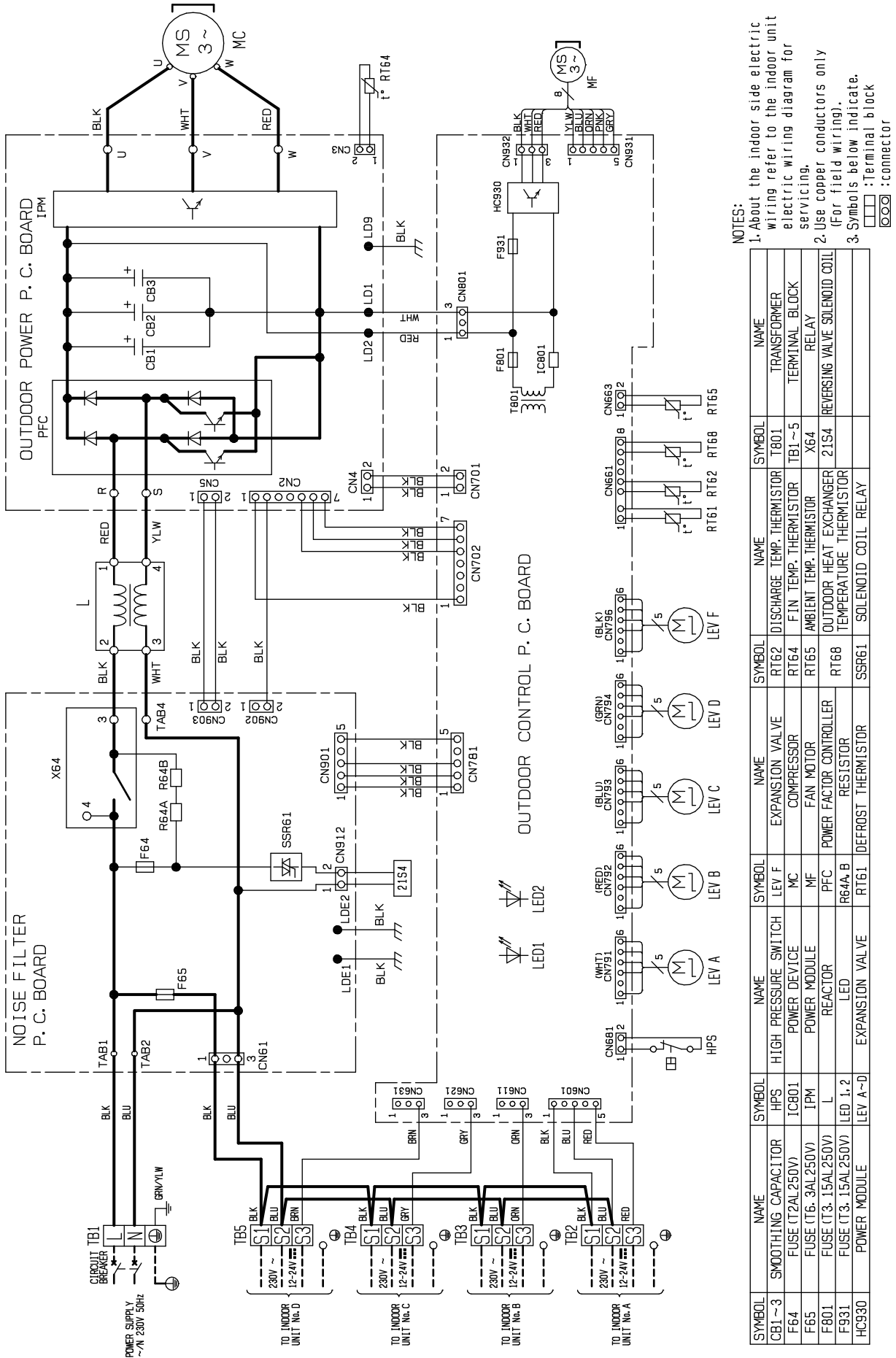
SYMBOL	NAME	SYMBOL	NAME	SYMBOL	NAME	SYMBOL	NAME
CB1~3	SMOOTHING CAPACITOR	IC801	POWER DEVICE	MC	COMPRESSOR	RT64	FIN TEMP. THERMISTOR
F64	FUSE (T2AL/250V)	IPM	POWER MODULE	MF	FAN MOTOR	RT65	AMBIENT TEMP. THERMISTOR
F65, 66	FUSE (T6, 3AL/250V)	L	REACTOR	PFC	POWER FACTOR CONTROLLER	RT68	OUTDOOR HEAT EXCHANGER TEMP. THERMISTOR
F711, 801, 930	FUSE (T3, 15AL/250V)	LED1, 2, 3	LED	PTC64, 65	CIRCUIT PROTECTION	T801	TRANSFORMER
		LEV A~D	EXPANSION VALVE	RT61	DEFROST THERMISTOR	TBI ~5	TERMINAL BLOCK
		LEV E	EXPANSION VALVE	RT62	DISCHARGE TEMP. THERMISTOR	X64	RELAY
						X712, 714	RELAY
						2IS4	REVERSING VALVE SOLENOID COIL

MXZ-4D72VA - ET3



NOTES: 1. About the indoor side electric wiring refer to the indoor unit electric wiring diagram for servicing.  
 2. Use copper conductors only (For field wiring).  
 3. Symbols below indicate.  
 □: Terminal block  
 ○: Connector

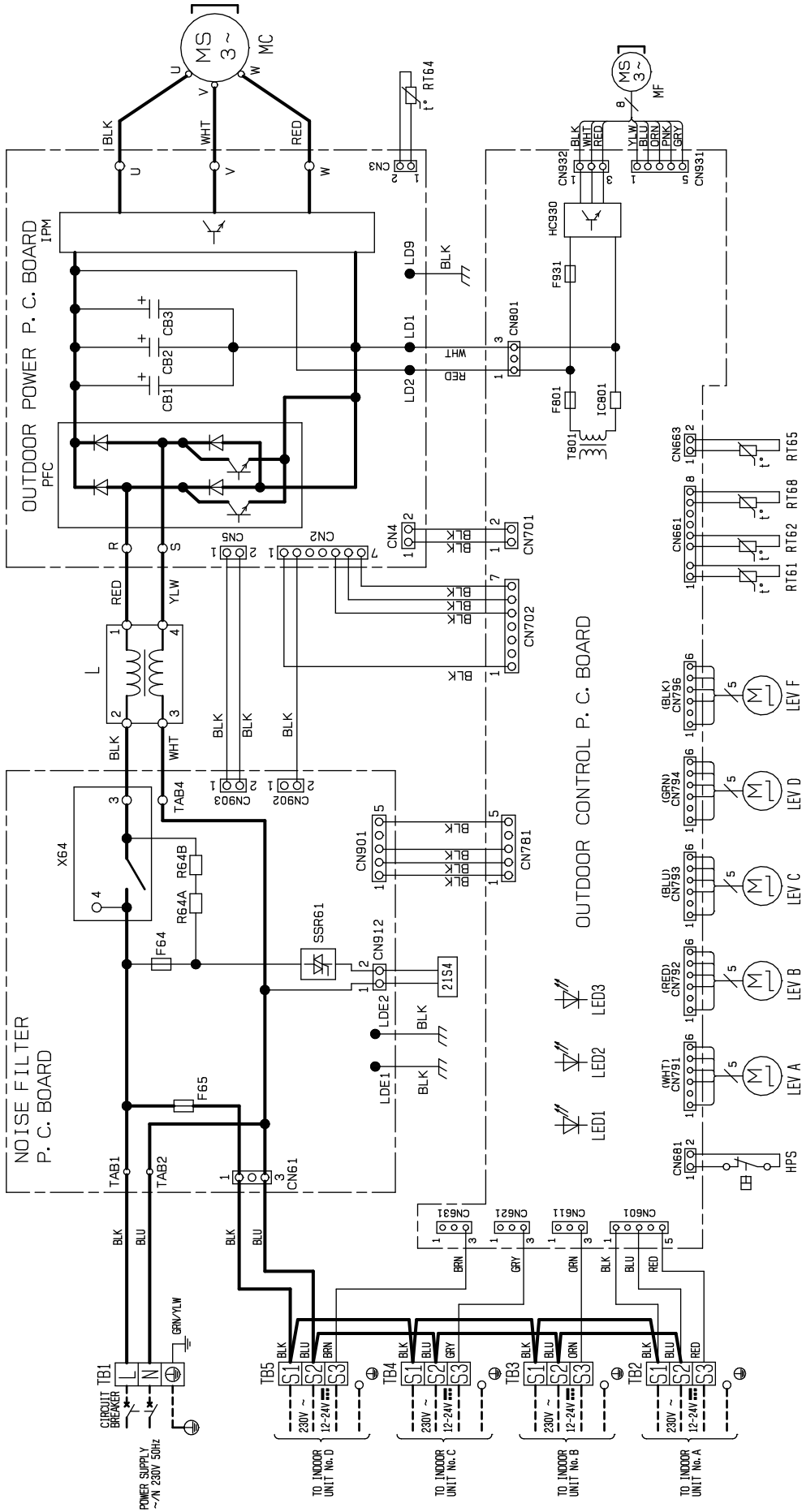
SYMBOL	NAME	SYMBOL	NAME	SYMBOL	NAME	SYMBOL	NAME
CB1~3	SMOOTHING CAPACITOR	IC801	POWER DEVICE	MC	COMPRESSOR	X712, 714	RELAY
F64	FUSE (T2A/250V)	IPM	POWER MODULE	MF	FAN MOTOR	21S4	REVERSING VALVE SOLENOID COIL
F65, 66	FUSE (T6, 3A/250V)	L	REACTOR	PFC	POWER FACTOR CONTROLLER	RT68	OUTDOOR HEAT EXCHANGER TEMP. THERMISTOR
F711, 801, 930	FUSE (T3, 15A/250V)	LED1, 2, 3	LED	PTC64, 65	CIRCUIT PROTECTION	T801	TRANSFORMER
		LEV A~D	EXPANSION VALVE	RT61	DEFROST THERMISTOR	TB1~5	TERMINAL BLOCK
HPS	HIGH PRESSURE SWITCH	LEV E	EXPANSION VALVE	RT62	DISCHARGE TEMP. THERMISTOR	X64	RELAY



- NOTES:
1. About the indoor side electric wiring refer to the indoor unit electric wiring diagram for servicing.
  2. Use copper conductors only (for field wiring).
  3. Symbols below indicate.
    - : terminal block
    - : connector

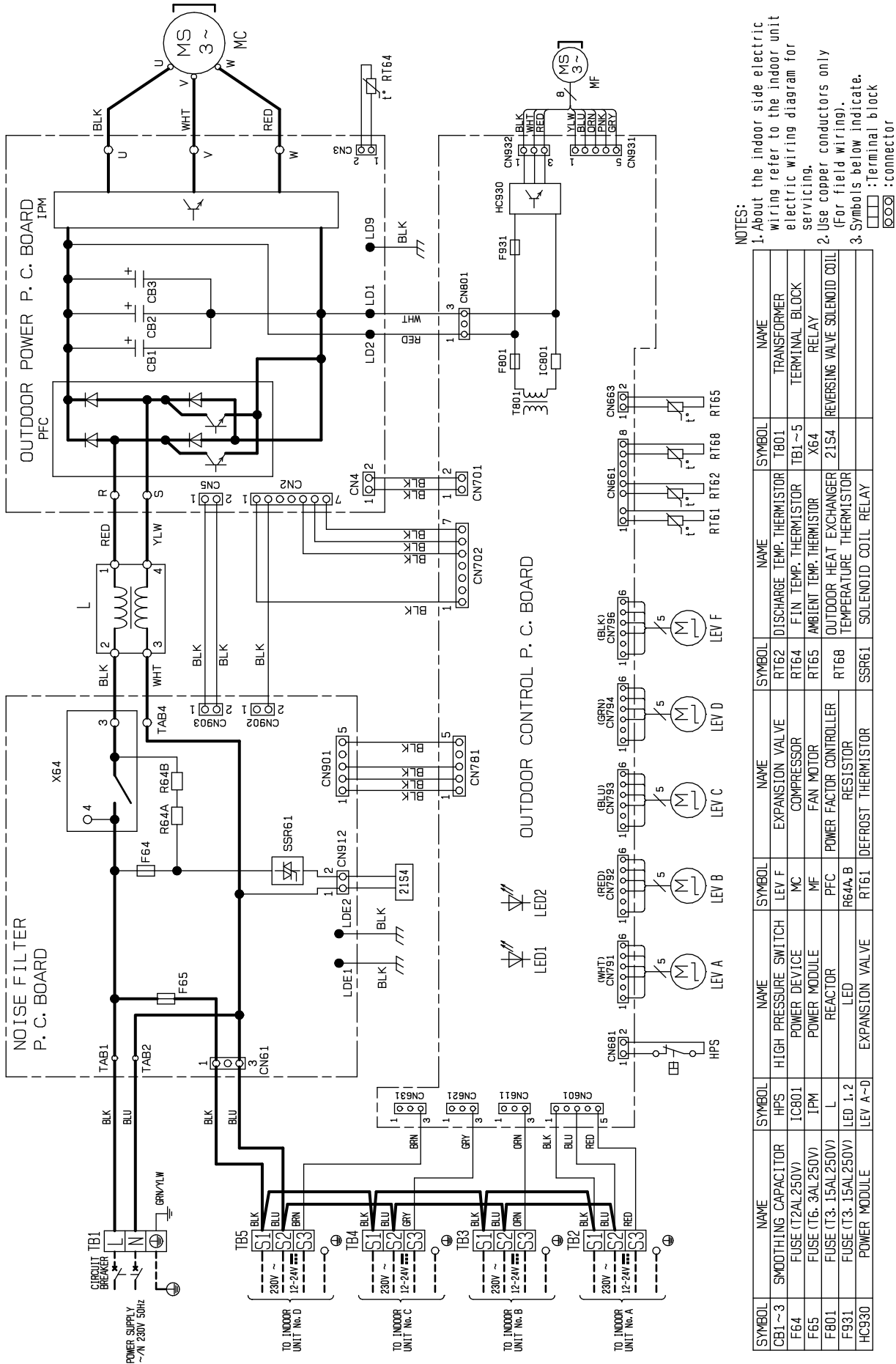
SYMBOL	NAME	SYMBOL	NAME	SYMBOL	NAME	SYMBOL	NAME
CB1~3	SMOOTHING CAPACITOR	HPS	HIGH PRESSURE SWITCH	LEV F	SWITCH	RT61	DISCHARGE TEMP. THERMISTOR
F64	FUSE (T2AL250V)	MC	POWER DEVICE	MC	COMPRESSOR	RT64	FIN TEMP. THERMISTOR
F65	FUSE (T6.3AL250V)	MF	POWER MODULE	MF	FAN MOTOR	RT65	AMBIENT TEMP. THERMISTOR
F801	FUSE (T3.15AL250V)	L	REACTOR	PFC	POWER FACTOR CONTROLLER	RT66	OUTDOOR HEAT EXCHANGER TEMPERATURE THERMISTOR
F931	FUSE (T3.15AL250V)	LED 1,2	LED	R64A, B	RESISTOR	SSR61	SOLENOID COIL RELAY
HC930	POWER MODULE	LEV A~D	EXPANSION VALVE	RT61	DEFROST THERMISTOR		

**MXZ-4D83VA -E2**



- NOTES:**
1. About the indoor side electric wiring refer to the indoor unit electric wiring diagram for servicing.
  2. Use copper conductors only (For field wiring).
  3. Symbols below indicate.
    - : terminal block
    - : connector

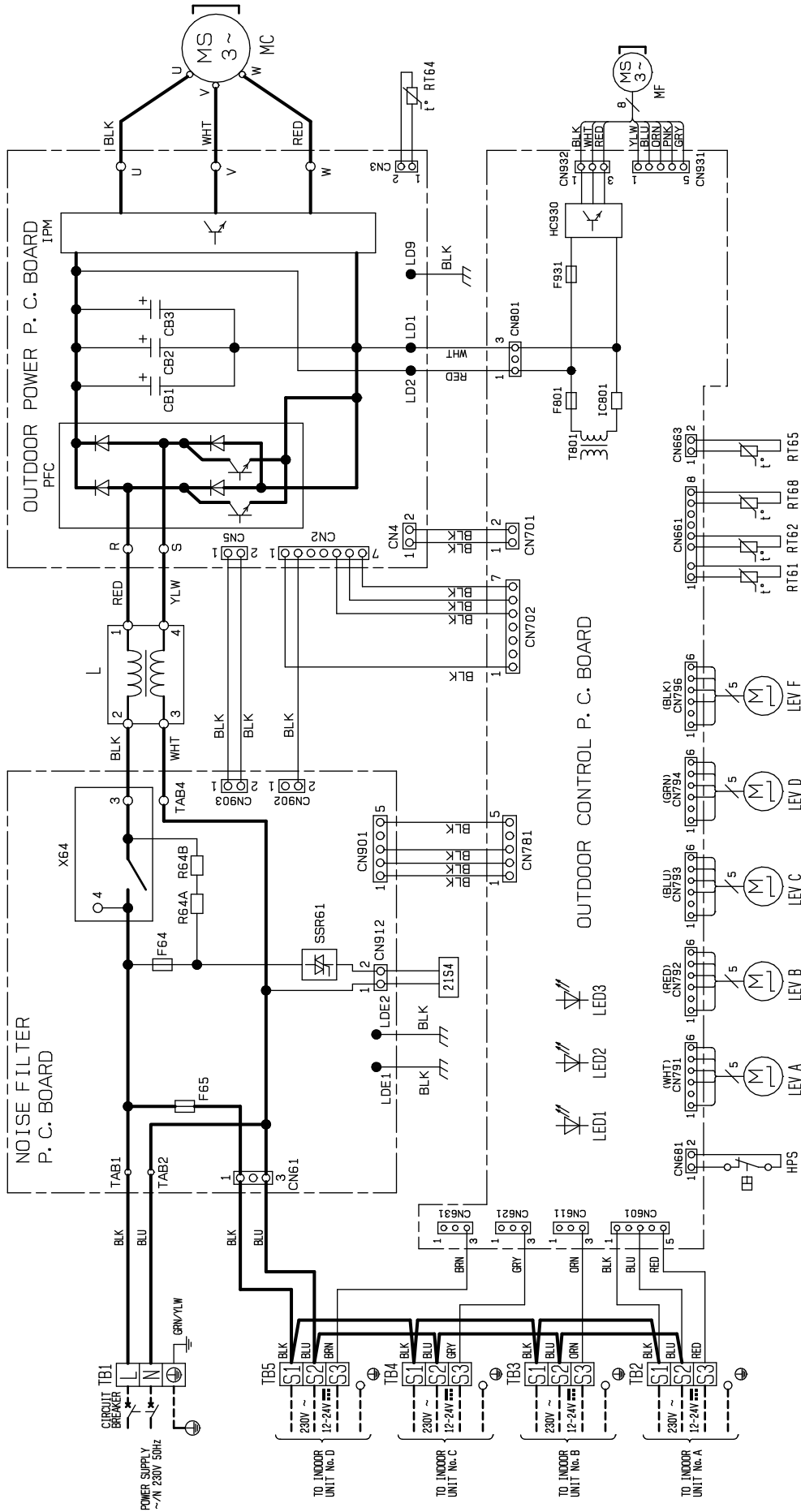
SYMBOL	NAME	SYMBOL	NAME	SYMBOL	NAME	SYMBOL	NAME
CB1~3	SMOOTHING CAPACITOR	HPS	HIGH PRESSURE SWITCH	RT61	DISCHARGE TEMP. THERMISTOR	T801	TRANSFORMER
F64	FUSE (T2AL250V)	MC	POWER DEVICE	RT62	FAN TEMP. THERMISTOR	TB1~5	TERMINAL BLOCK
F65	FUSE (T6.3AL250V)	MF	POWER MODULE	RT65	AMBIENT TEMP. THERMISTOR	X64	RELAY
F801	FUSE (T3.15AL250V)	PFC	REACTOR	RT66	OUTDOOR HEAT EXCHANGER	21S4	REVERSING VALVE SOLENOID COIL
F931	FUSE (T3.15AL250V)	R64A,B	LED	RT68	TEMPERATURE THERMISTOR		
HC930	POWER MODULE	LEV A~D	EXPANSION VALVE	SSR61	DEFROST THERMISTOR		



- NOTES:
1. About the indoor side electric wiring refer to the indoor unit electric wiring diagram for servicing.
  2. Use copper conductors only (For field wiring).
  3. Symbols below indicate.
    - : terminal block
    - : connector

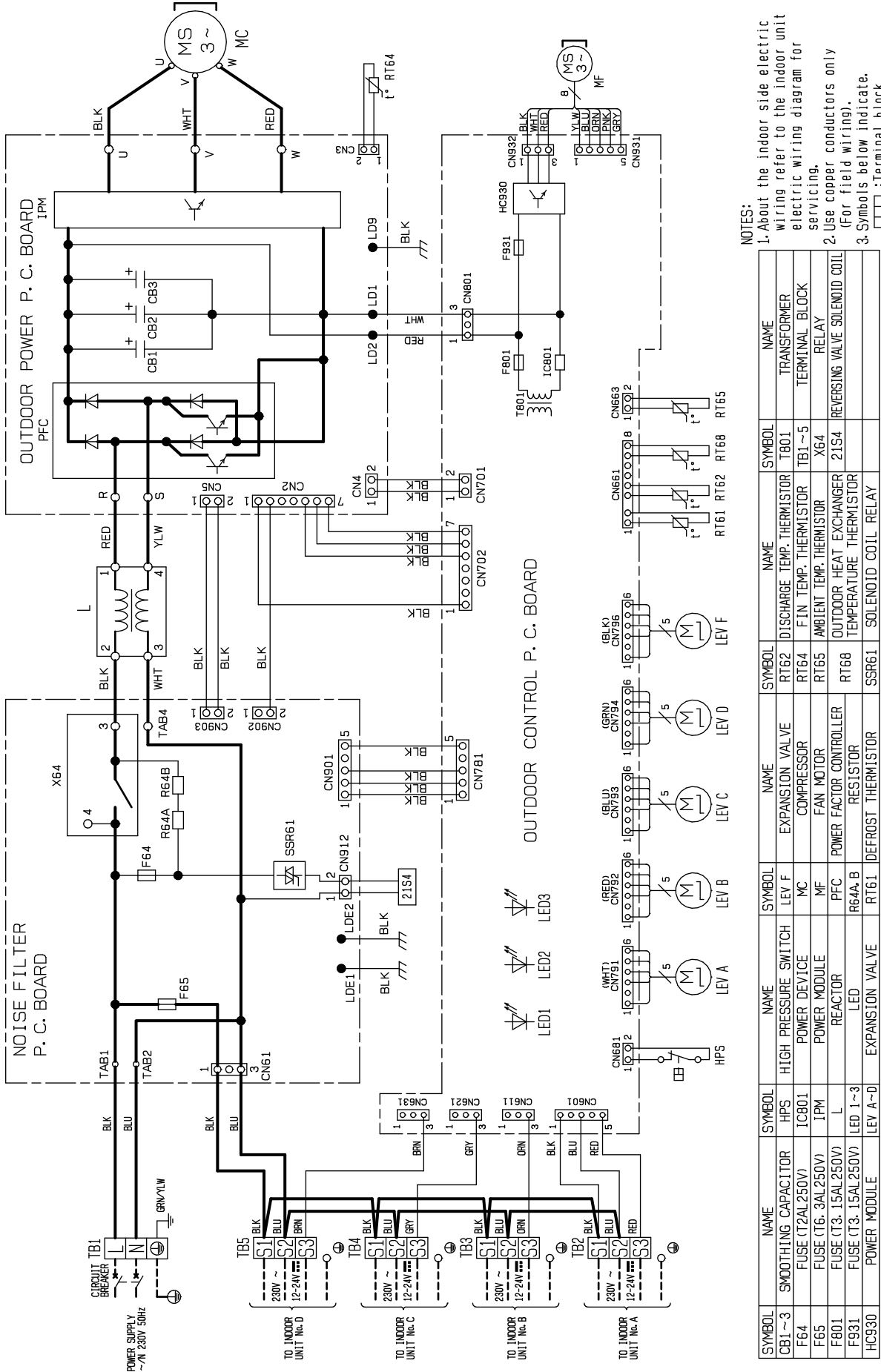
SYMBOL	NAME	SYMBOL	NAME	SYMBOL	NAME	SYMBOL	NAME
CB1~3	SMOOTHING CAPACITOR	HPS	HIGH PRESSURE SWITCH	RT62	DISCHARGE TEMP. THERMISTOR	T801	TRANSFORMER
F64	FUSE (T2AL250V)	IPM	POWER DEVICE	RT64	FIN TEMP. THERMISTOR	TB1~5	TERMINAL BLOCK
F65	FUSE (T6.3AL250V)	L	POWER MODULE REACTOR	RT65	AMBIENT TEMP. THERMISTOR	X64	RELAY
F801	FUSE (T3.15AL250V)	LED 1,2	LED	RT68	OUTDOOR HEAT EXCHANGER TEMPERATURE THERMISTOR	21S4	REVERSING VALVE SOLENOID COIL
F931	FUSE (T3.15AL250V)	LED 1,2	LED	SSR61	SOLENOID COIL RELAY		
HC930	POWER MODULE	LEV A~D	EXPANSION VALVE				

**MXZ-4D83VA -ER2**



**NOTES:**  
 1. About the indoor side electric wiring refer to the indoor unit electric wiring diagram for servicing.  
 2. Use copper conductors only (For field wiring).  
 3. Symbols below indicate.  
 □□□□ : Terminal block  
 ○○○○ : connector

SYMBOL	NAME	SYMBOL	NAME	SYMBOL	NAME	SYMBOL	NAME
CB1~3	SMOOTHING CAPACITOR	HPS	HIGH PRESSURE SWITCH	LEV F	EXPANSION VALVE	RT62	DISCHARGE TEMP. THERMISTOR
F64	FUSE (T2AL/250V)	IC801	POWER DEVICE	MC	COMPRESSOR	RT64	F IN TEMP. THERMISTOR
F65	FUSE (T6-3AL/250V)	IPM	POWER MODULE	MF	FAN MOTOR	RT65	AMBIENT TEMP. THERMISTOR
F801	FUSE (T3-15AL/250V)	L	REACTOR	PFC	POWER FACTOR CONTROLLER	RT68	OUTDOOR HEAT EXCHANGER TEMPERATURE THERMISTOR
F931	FUSE (T3-15AL/250V)	LED 1~3	LED	R64A,B	RESISTOR	SSR61	SOLENOID COIL RELAY
HC930	POWER MODULE	LEV A~D	EXPANSION VALVE	RT61	DEFROST THERMISTOR		



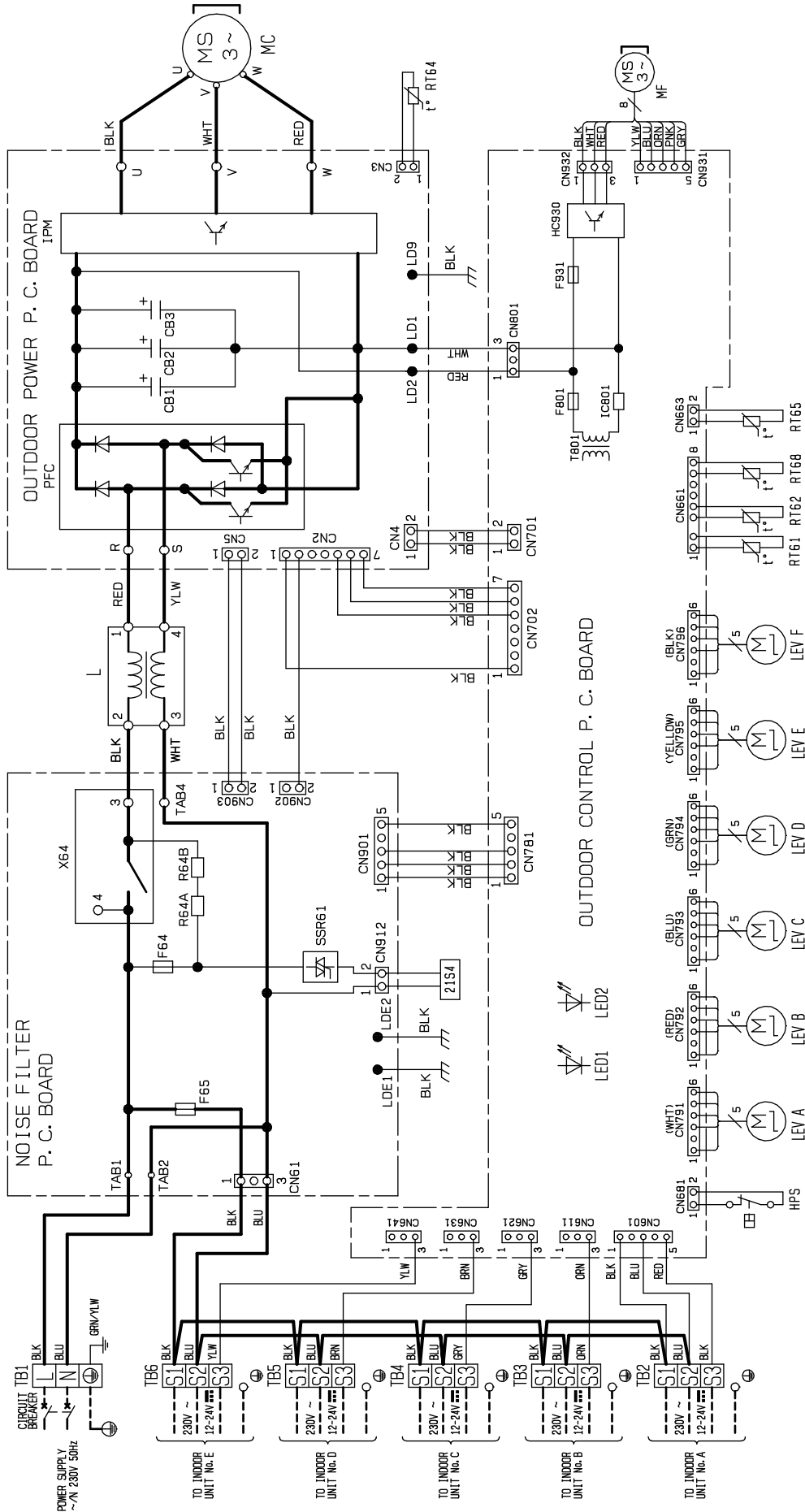
NOTES:

- About the indoor side electric wiring refer to the indoor unit electric wiring diagram for servicing.
- Use copper conductors only. (For field wiring).
- Symbols below indicate.
  - : Terminal block
  - ○ ○ ○ : connector

SYMBOL	NAME	SYMBOL	NAME	SYMBOL	NAME	SYMBOL	NAME
CB1~3	SMOOTHING CAPACITOR	HPS	HIGH PRESSURE SWITCH	T801	DISCHARGE TEMP. THERMISTOR	T801	TRANSFORMER
F64	FUSE (T2AL250V)	MC	POWER DEVICE	RT62	F-IN TEMP. THERMISTOR	T81~5	TERMINAL BLOCK
F65	FUSE (T6.3AL250V)	IPM	POWER MODULE	RT65	AMBIENT TEMP. THERMISTOR	X64	REVERSE VALVE SOLENOID COIL
F801	FUSE (T3.15AL250V)	L	REACTOR	RT68	OUTDOOR HEAT EXCHANGER TEMPERATURE THERMISTOR	2LS4	REVERSING VALVE SOLENOID COIL
F931	FUSE (T3.15AL250V)	LED 1~3	LED	SSR61	SOLENOID COIL RELAY		
HC930	POWER MODULE	LEV A~D	EXPANSION VALVE	RT61	DEFROST THERMISTOR		

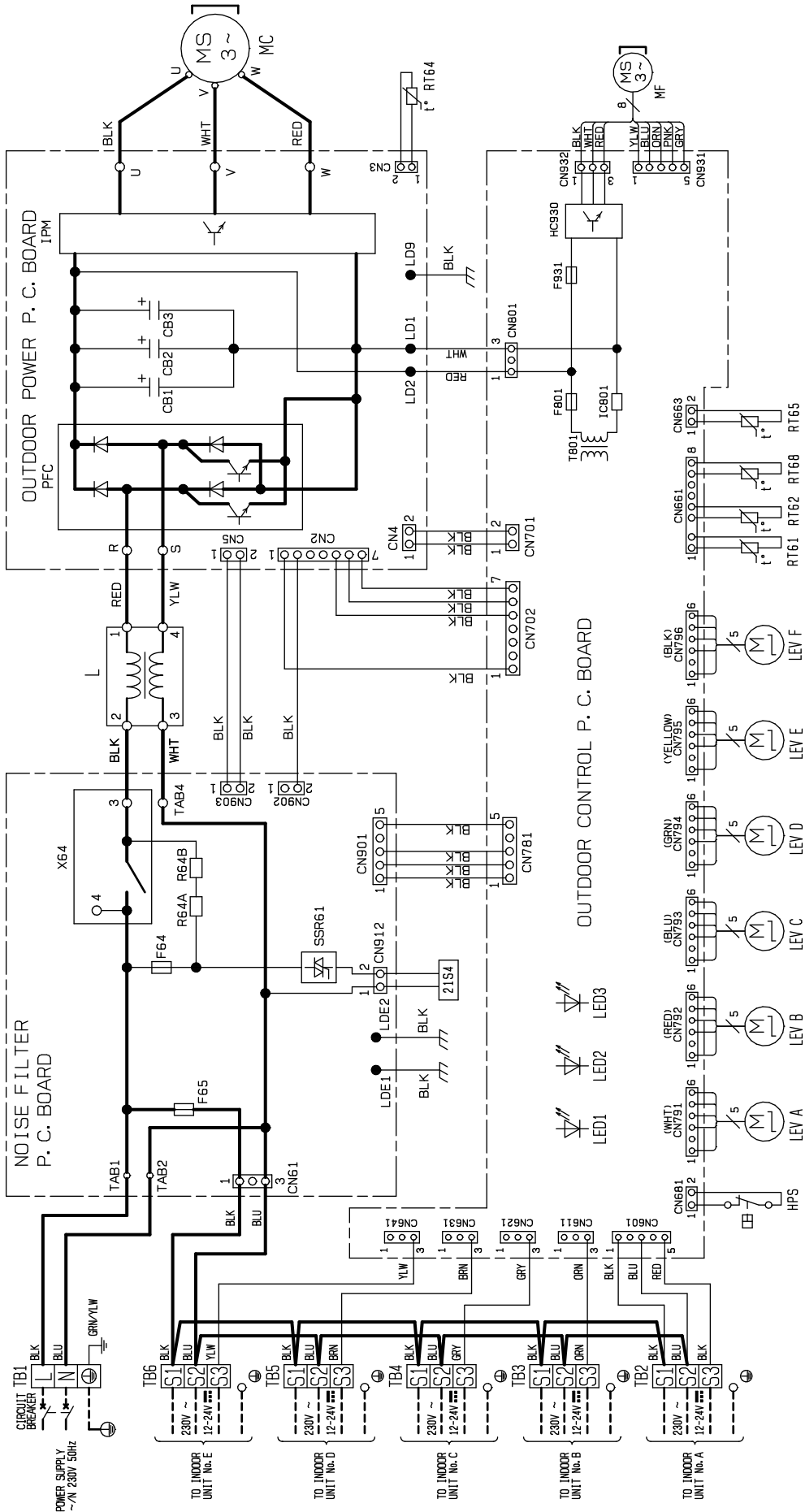


**MXZ-5D102VA -E1**



- NOTES:**
1. About the indoor side electric wiring refer to the indoor unit electric wiring diagram for servicing.
  2. Use copper conductors only (For field wiring).
  3. Symbols below indicate.
    - : Terminal block
    - : connector

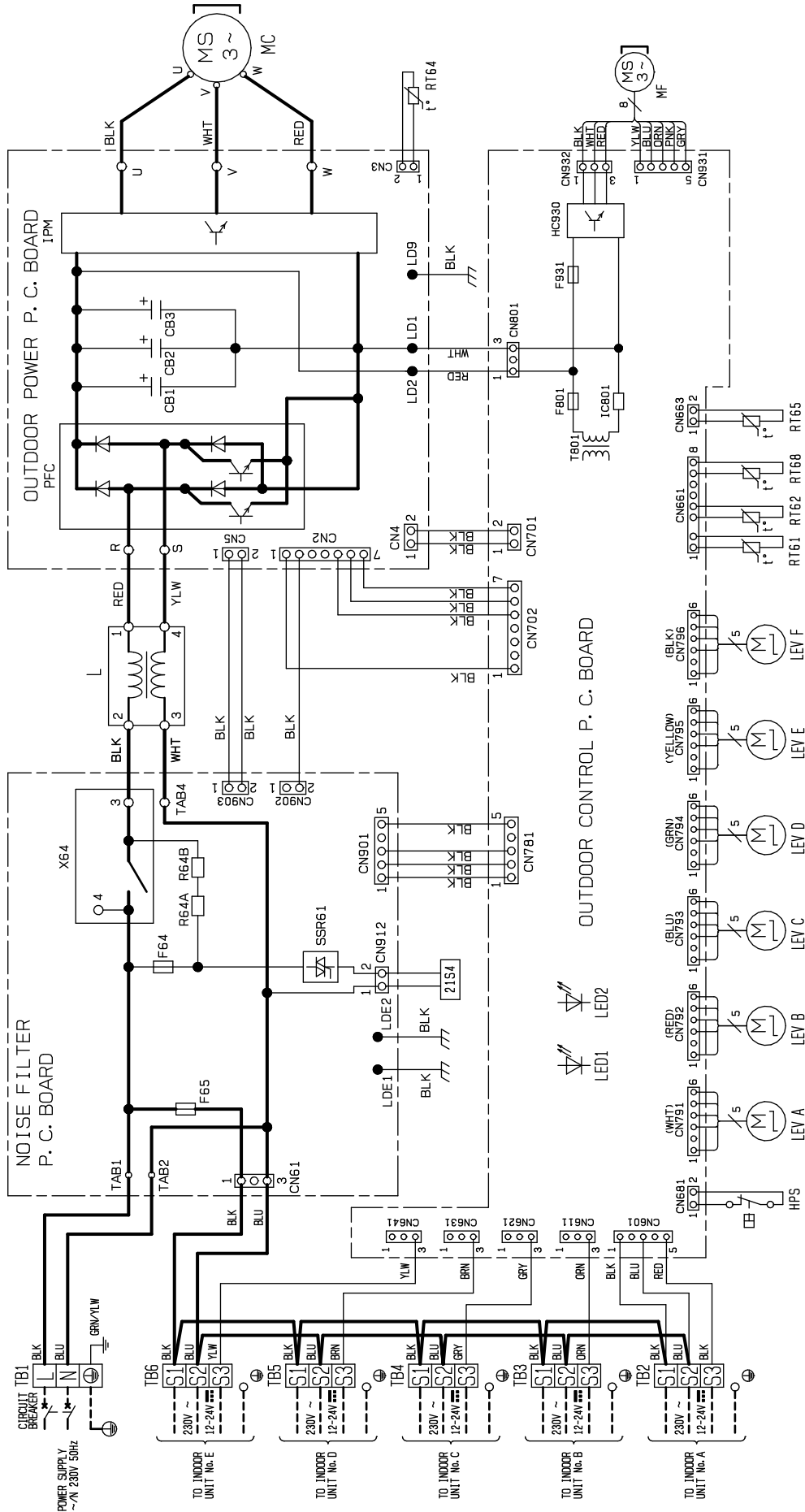
SYMBOL	NAME	SYMBOL	NAME	SYMBOL	NAME	SYMBOL	NAME
CB1~3	SMOOTHING CAPACITOR	HPS	HIGH PRESSURE SWITCH	LEV F	EXPANSION VALVE	RT61	SOLENOID COIL RELAY
F64	FUSE (T2AL/250V)	IC801	POWER DEVICE	MC	COMPRESSOR	RT62	DISCHARGE TEMP. THERMISTOR
F65	FUSE (T6.3AL/250V)	IPM	POWER MODULE	MF	FAN MOTOR	RT64	FIN TEMP. THERMISTOR
F801	FUSE (T3.15AL/250V)	L	REACTOR	PFC	POWER FACTOR CONTROLLER	RT65	AMBIENT TEMP. THERMISTOR
F931	FUSE (T3.15AL/250V)	LED 1, 2	LED	R64A, B	LED	RT68	OUTDOOR HEAT EXCHANGER TEMPERATURE THERMISTOR
HC930	POWER MODULE	LEV A~E	EXPANSION VALVE	RT61	DEFROST THERMISTOR	SSR61	SOLENOID COIL RELAY



NOTES:  
 1. About the indoor side electric wiring refer to the indoor unit electric wiring diagram for servicing.  
 2. Use copper conductors only (for field wiring).  
 3. Symbols below indicate.  
 □□□ : terminal block  
 ○○○ : connector

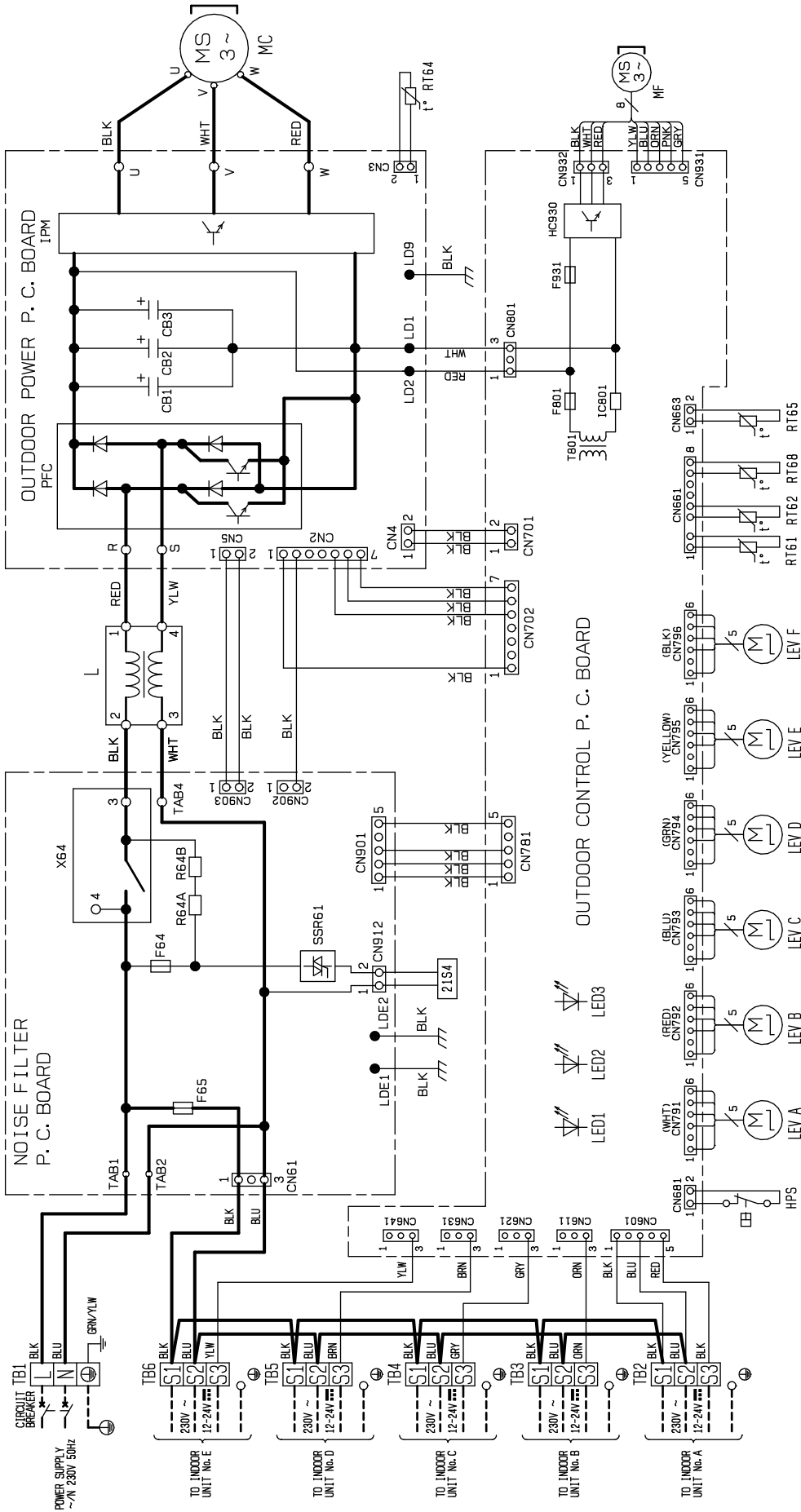
SYMBOL	NAME	SYMBOL	NAME	SYMBOL	NAME
CB1~3	SMOOTHING CAPACITOR	LEV F	EXPANSION VALVE	T801	DISCHARGE TEMP. THERMISTOR
F64	FUSE (T2AL250V)	MC	COMPRESSOR	TB1~6	TERMINAL BLOCK
F65	FUSE (T6.3AL250V)	MF	FAN MOTOR	XG4	RELAY
F801	FUSE (T3.15AL250V)	PFC	POWER FACTOR CONTROLLER	21S4	REVERSING VALVE SOLENOID COIL
F931	FUSE (T3.15AL250V)	LED	REACTOR		
HC930	POWER MODULE	LEV 1~3	EXPANSION VALVE		
		LEV A~E	DEFROST THERMISTOR	SSR61	SOLENOID COIL RELAY

**MXZ-5D102VA -ER1**



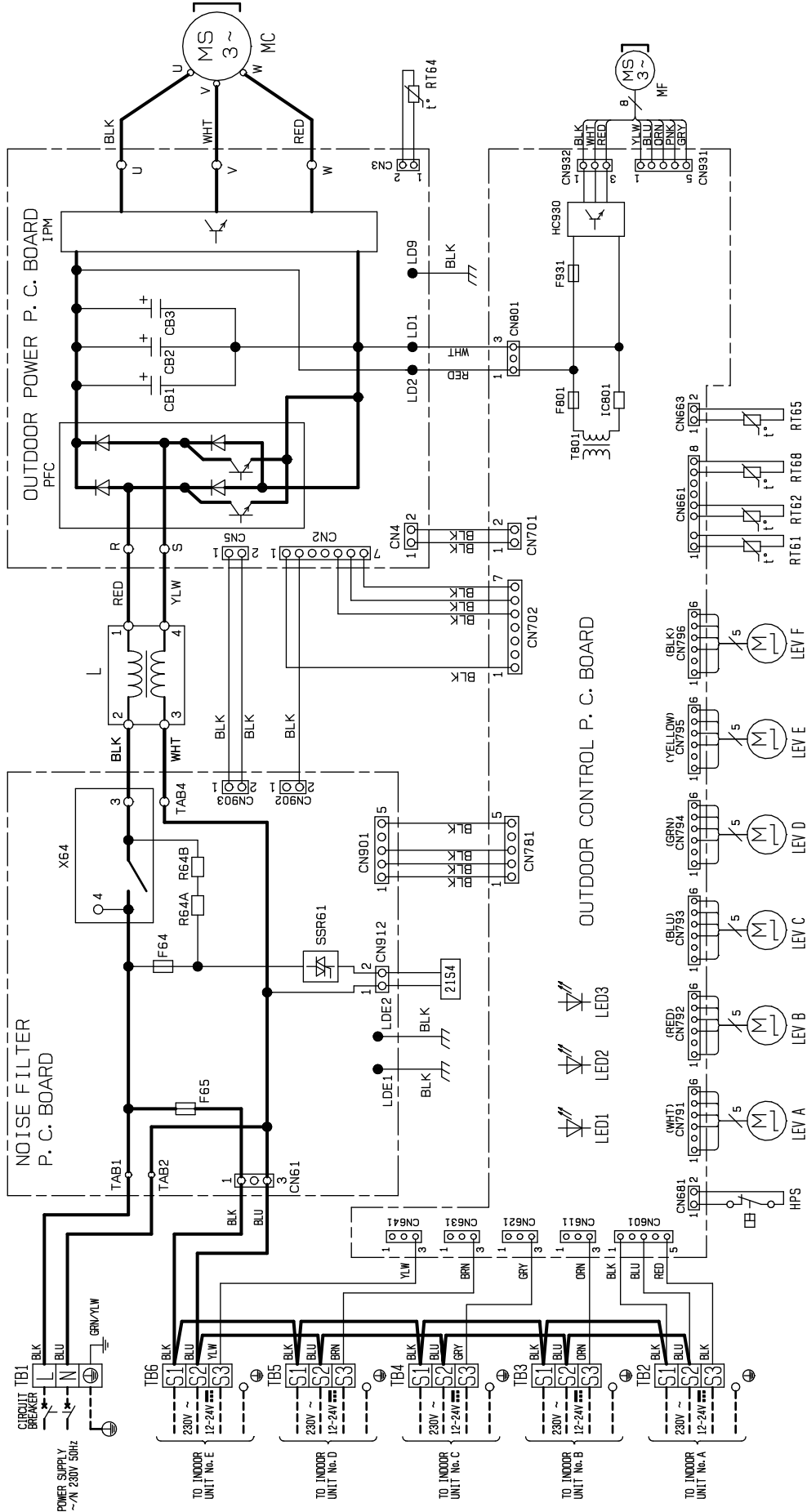
- NOTES:**
1. About the indoor side electric wiring refer to the indoor unit electric wiring diagram for servicing.
  2. Use copper conductors only (For field wiring).
  3. Symbols below indicate.
    - : terminal block
    - : connector

SYMBOL	NAME	SYMBOL	NAME	SYMBOL	NAME	SYMBOL	NAME
CB1~3	SMOOTHING CAPACITOR	HPS	HIGH PRESSURE SWITCH	LEV F	DISCHARGE TEMP. THERMISTOR	T801	TRANSFORMER
F64	FUSE (T2A, 250V)	IC801	POWER DEVICE	MC	COMPRESSOR	RT61~6	TERMINAL BLOCK
F65	FUSE (T6.3A, 250V)	IPM	POWER MODULE	MF	FAN MOTOR	X64	RELAY
F801	FUSE (T3.15A, 250V)	L	REACTOR	PFC	POWER FACTOR CONTROLLER	RT61	REVERSING VALVE SOLENOID COIL
F931	FUSE (T3.15A, 250V)	LED 1-2	LED	R64A, B	DEFROST THERMISTOR	RT68	OUTDOOR HEAT EXCHANGER TEMPERATURE THERMISTOR
HC930	POWER MODULE	LEV A~E	EXPANSION VALVE	RT61	DEFROST THERMISTOR	SSR61	SOLENOID COIL RELAY



NOTES:  
 1. About the indoor side electric wiring refer to the indoor unit electric wiring diagram for servicing.  
 2. Use copper conductors only (For field wiring).  
 3. Symbols below indicate.  
 □ □ □ □ : Terminal block  
 ○ ○ ○ ○ : Connector

SYMBOL	NAME	SYMBOL	NAME	SYMBOL	NAME
CB1~3	SMOOTHING CAPACITOR	HPS	HIGH PRESSURE SWITCH	T801	TRANSFORMER
F64	FUSE (T2A/250V)	IC801	POWER DEVICE	T81~6	TERMINAL BLOCK
F65	FUSE (T6.3A/250V)	IPM	POWER MODULE	X64	REACTOR
F801	FUSE (T3.15A/250V)	L	REACTOR	2IS4	REVERSING VALVE SOLENOID COIL
F931	FUSE (T3.15A/250V)	LED 1~3	LED		
HC930	POWER MODULE	LEV A~E	EXPANSION VALVE	RT61	DEFROST THERMISTOR
				RT62	DISCHARGE TEMP. THERMISTOR
				RT64	F IN TEMP. THERMISTOR
				RT65	AMBIENT TEMP. THERMISTOR
				RT68	OUTDOOR HEAT EXCHANGER TEMPERATURE THERMISTOR
				SSR61	SOLENOID COIL RELAY

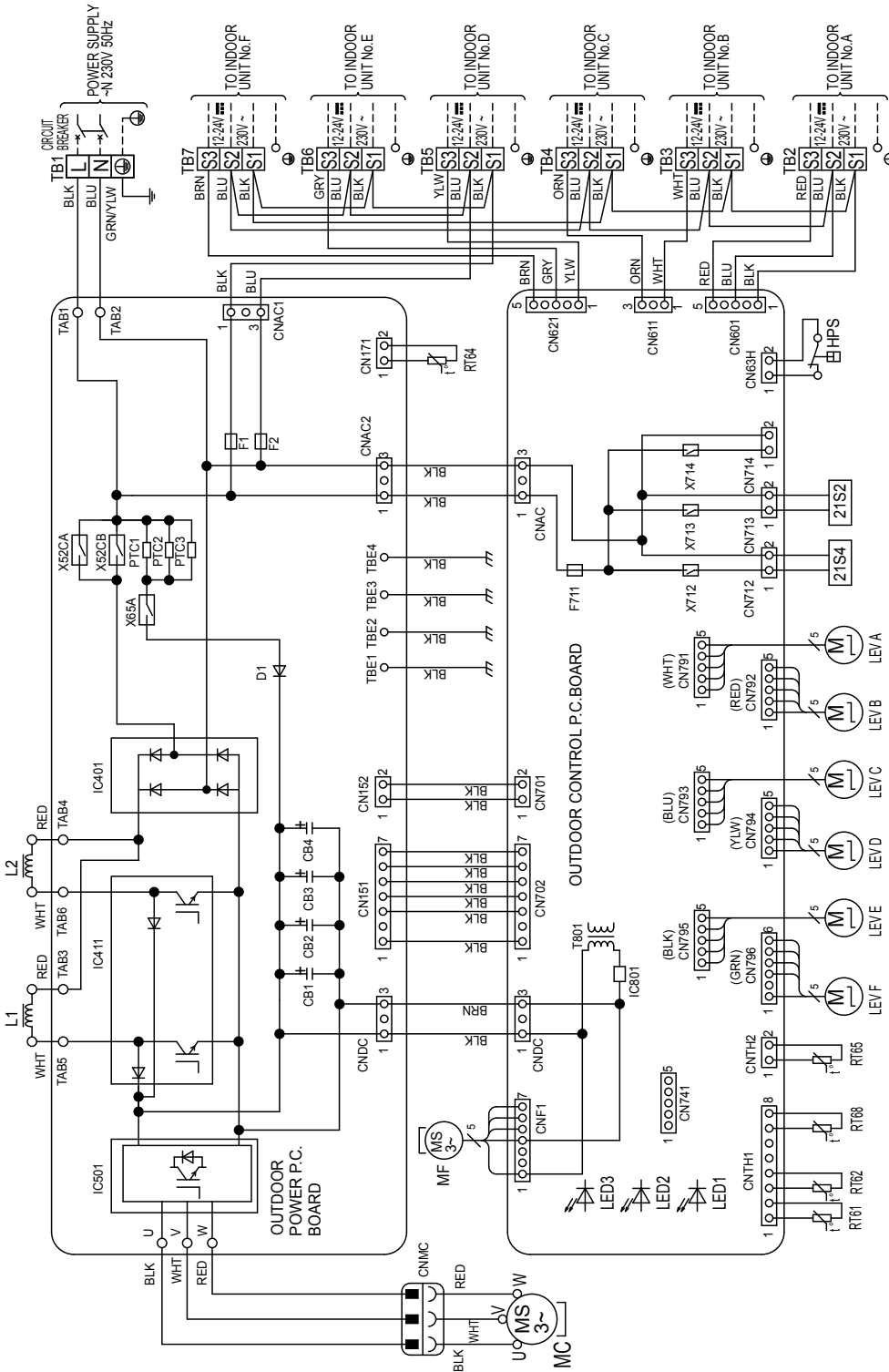


**NOTES:**

1. About the indoor side electric wiring refer to the indoor unit electric wiring diagram for servicing.
2. Use copper conductors only (For field wiring).
3. Symbols below indicate.
  - : Terminal block
  - : Connector

SYMBOL	NAME	SYMBOL	NAME	SYMBOL	NAME	SYMBOL	NAME
CB1 ~ 3	SMOOTHING CAPACITOR	HPS	HIGH PRESSURE SWITCH	LEV F	EXPANSION VALVE	T801	TRANSFORMER
F64	FUSE (T2AL250V)	IC801	POWER DEVICE	RT62	COMPRESSOR	TB1 ~ 6	TERMINAL BLOCK
F65	FUSE (T6. 3AL250V)	IPM	POWER MODULE	RT65	FAN MOTOR	X64	RELAY
F801	FUSE (T3. 15AL250V)	L	REACTOR	PFC	POWER FACTOR CONTROLLER	21S4	REVERSING VALVE SOLENOID COIL
F931	FUSE (T3. 15AL250V)	LED 1~3	LED	R64A, B	RESISTOR	RT68	OUTDOOR HEAT EXCHANGER TEMPERATURE THERMISTOR
HC930	POWER MODULE	LEV A~E	EXPANSION VALVE	RT61	DEFROST THERMISTOR	SSR61	SOLENOID COIL RELAY

MXZ-6D122VA -E1

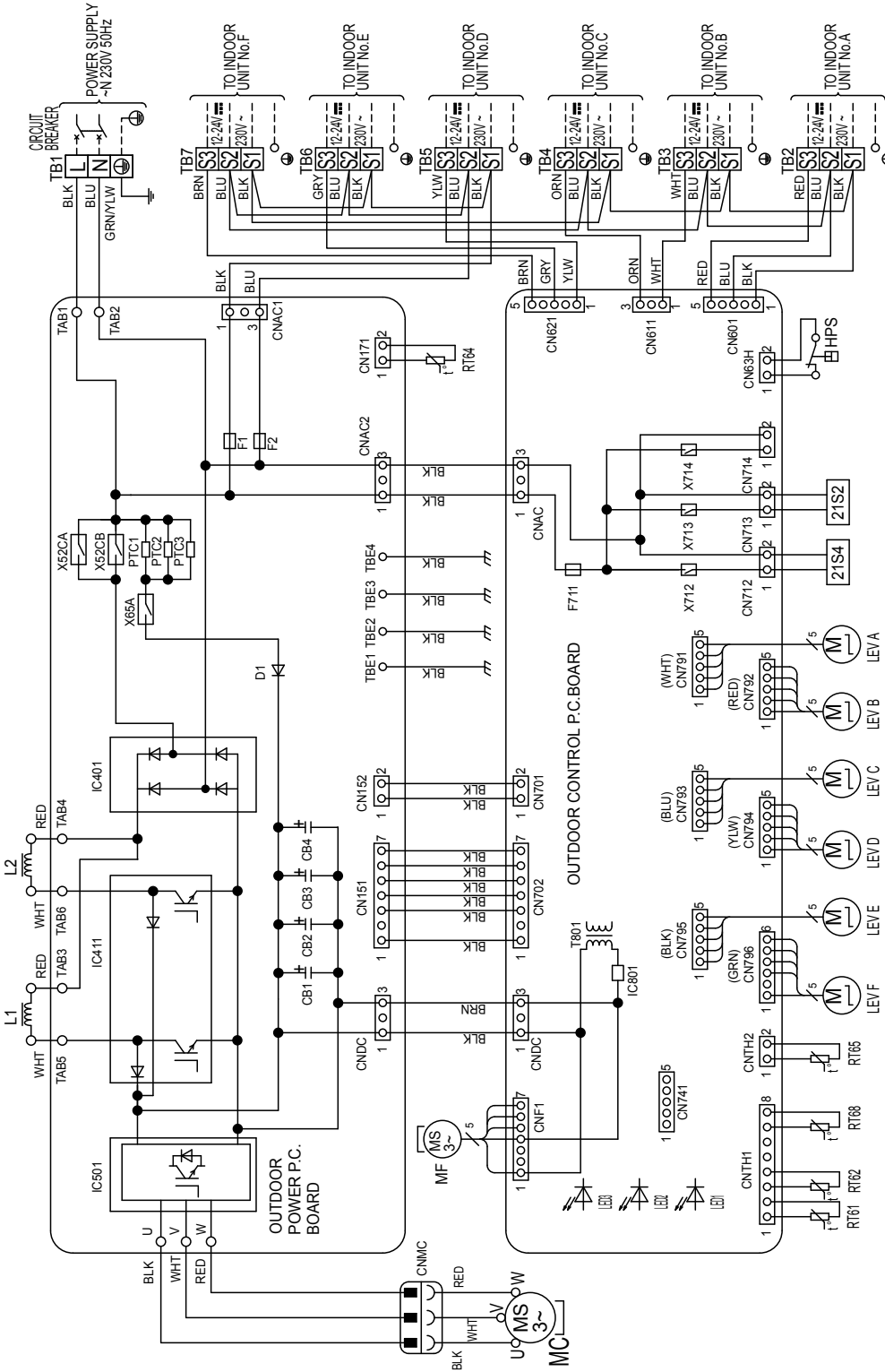


NOTES:  
 1. About the indoor side electric wiring refer to the indoor unit electric wiring diagram for servicing.  
 2. Use copper conductors only (For field wiring).  
 3. Symbols below indicate.

□ : Terminal block  
 ○ : Connector

SYMBOL	NAME	SYMBOL	NAME
CB1-4	SMOOTHING CAPACITOR	L1-L2	REACTOR
D1	DIODE	LED 1-3	LED
F1,F2	FUSE (T6.3A/250V)	LEV A-F	EXPANSION VALVE
F7,F11	FUSE (T3.15A/250V)	MC	COMPRESSOR
HPS	HIGH PRESSURE SWITCH	MF	FAN MOTOR
IC401	DIODE BRIDGE	T801	TRANSFORMER
IC411	POWER MODULE	TB1-7	TERMINAL BLOCK
IC801	POWER DEVICE	X52CA,B	RELAY
PTC1-3	CIRCUIT PROTECTION	X712	RELAY
RT61	DEFROST THERMISTOR	X713	RELAY
RT62	DISCHARGE TEMP.THERMISTOR	X714	RELAY
RT64	FIN TEMP.THERMISTOR	21S2	2 WAY VALVE SOLENOID COIL
RT65	AMBIENT TEMP.THERMISTOR	21S4	REVERSING VALVE SOLENOID COIL
RT68	OUTDOOR HEAT EXCHANGER TEMPERATURE THERMISTOR		

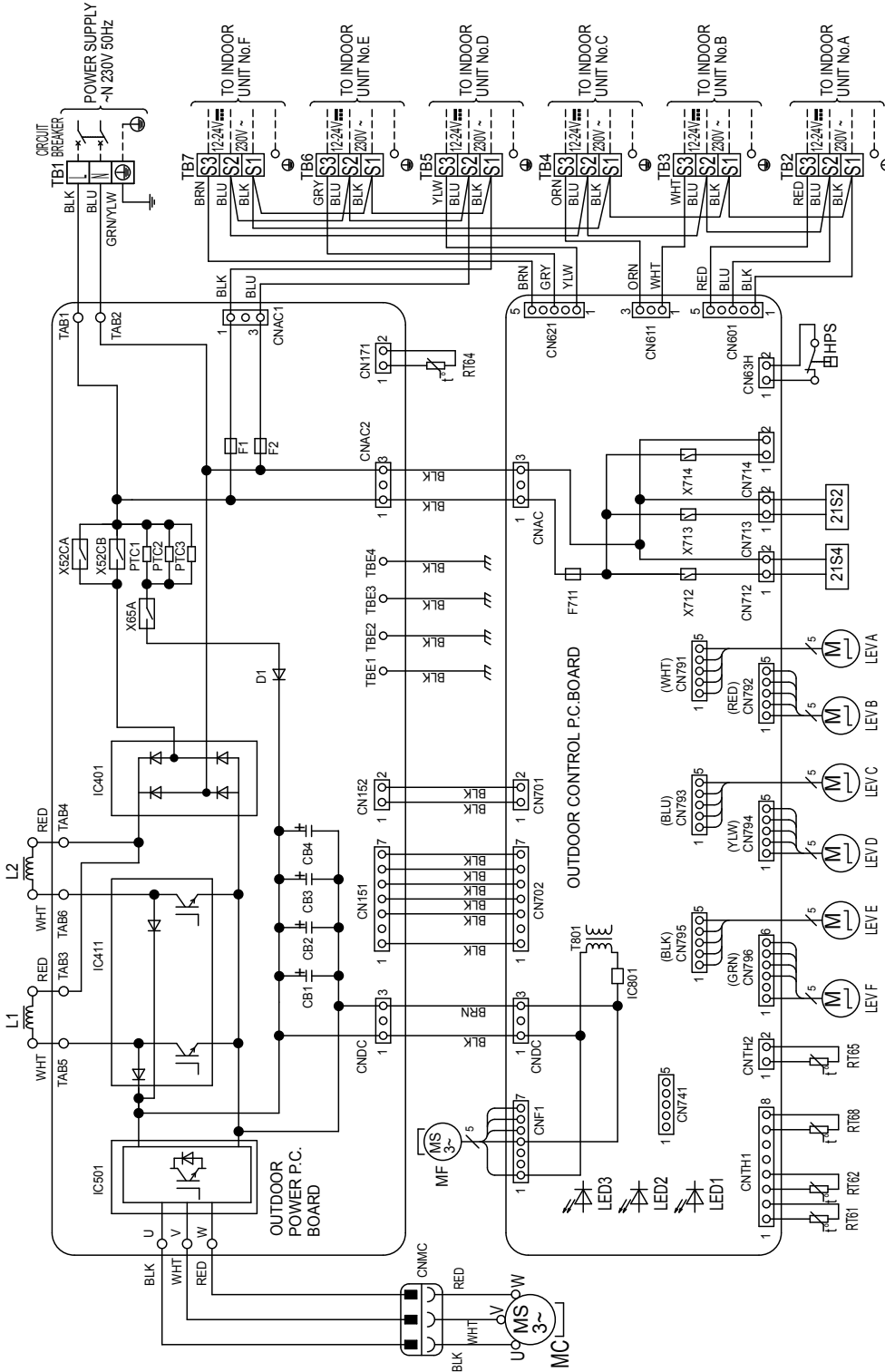
**MXZ-6D122VA -ER1**



**NOTES:**  
 1.About the indoor side electric wiring refer to the indoor unit electric wiring diagram for servicing.  
 2.Use copper conductors only (For field wiring).  
 3.Symbols below indicate.

SYMBOL	NAME	SYMBOL	NAME
CB1~4	SMOOTHING CAPACITOR	L1,L2	REACTOR
D1	DIODE	LED 1~3	LED
F1,F2	FUSE(T6.3AL250V)	LEV A-F	EXPANSION VALVE
F711	FUSE(T3.15AL250V)	MC	COMPRESSOR
IC401	DIODE BRIDGE	MF	FAN MOTOR
IC411	POWER MODULE	T801	TRANSFORMER
IC501	POWER MODULE	TB1~7	TERMINAL BLOCK
IC801	POWER DEVICE	X52CAB	RELAY
PTC1~3	CIRCUIT PROTECTION	X65A	RELAY
RT161	DEFROST THERMISTOR	X712	RELAY
RT62	DISCHARGE THERMISTOR	X713	RELAY
RT64	FIN THERMISTOR	X714	RELAY
RT65	AMBIENT THERMISTOR	21S2	2WAY VALVE SOLENOID COIL
RT68	TEMPERATURE THERMISTOR	21S4	REVERSING VALVE SOLENOID COIL

MXZ-6D122VA - ET1



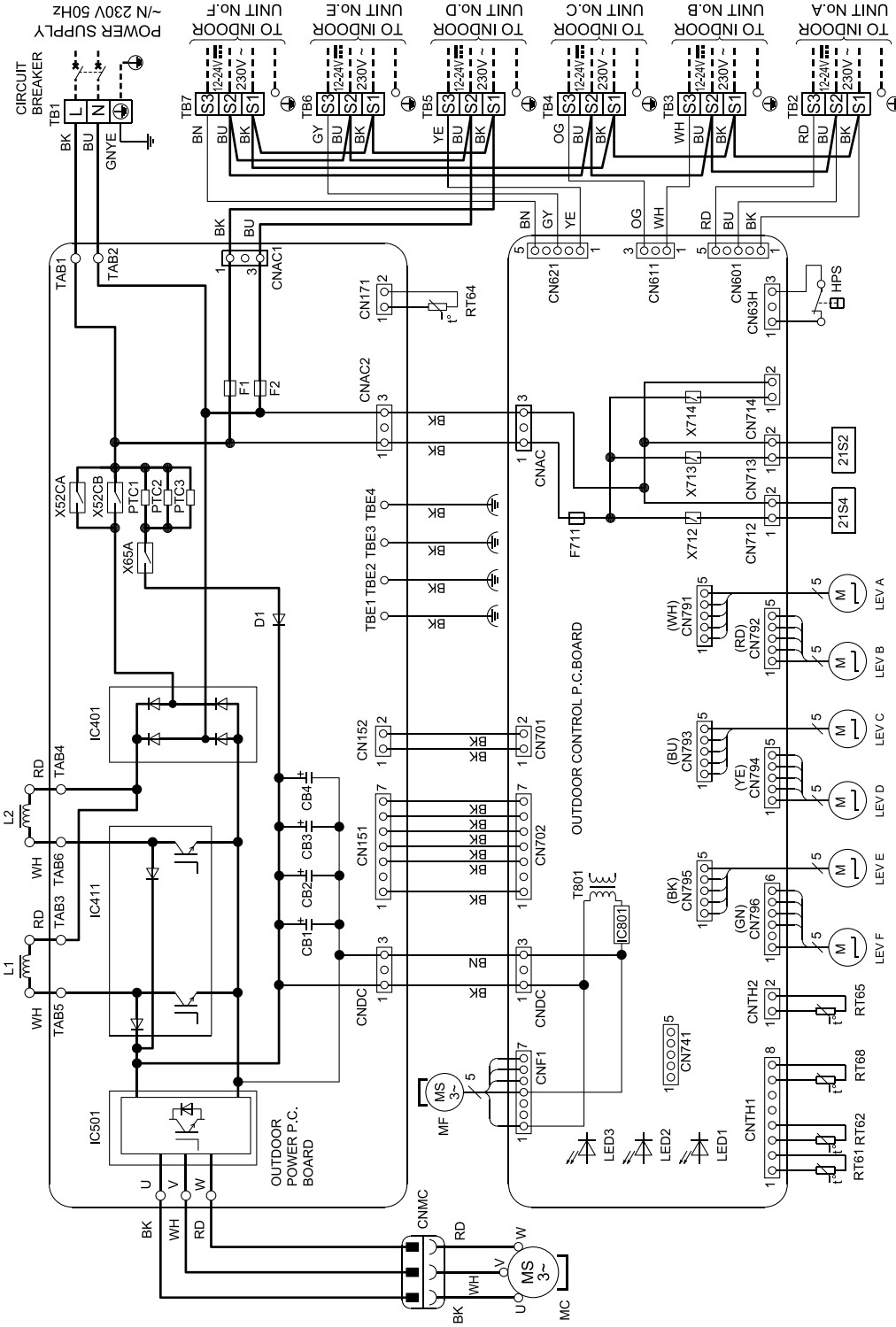
NOTES:  
 1. About the indoor site electric wiring refer to the indoor unit electric wiring diagram for servicing.  
 2. Use copper conductors only (For field wiring).  
 3. Symbols below indicate.

□: Terminal block  
 □: Connector

SYMBOL	NAME	SYMBOL	NAME
CB1~4	SMOOTHING CAPACITOR	L1,L2	REACTOR
D1	DIODE	LED1~3	LED
F1,F2	FUSE(T6.3A/250V)	LEVA~F	EXPANSION VALVE
F711	FUSE(T3.15A/250V)	MC	COMPRESSOR
HPS	HIGH PRESSURE SWITCH	MF	FAN MOTOR
IC401	DIODE BRIDGE	T801	TRANSFORMER
IC411	POWER MODULE	TB1~7	TERMINAL BLOCK
IC501	POWER MODULE	X62CA,B	RELAY
IC801	CIRCUIT PROTECTION	X65A	RELAY
PTC1~3	DEFROST THERMISTOR	X712	RELAY
RT61	DISCHARGE THERMISTOR	X713	RELAY
RT64	FIN TEMP THERMISTOR	X714	RELAY
RT65	AMBIENT TEMP THERMISTOR	21S2	2-WAY VALVE SOLENOID COIL
RT68	OUTDOOR HEAT EXCHANGER TEMPERATURE THERMISTOR	21S4	REVERSING VALVE SOLENOID COIL



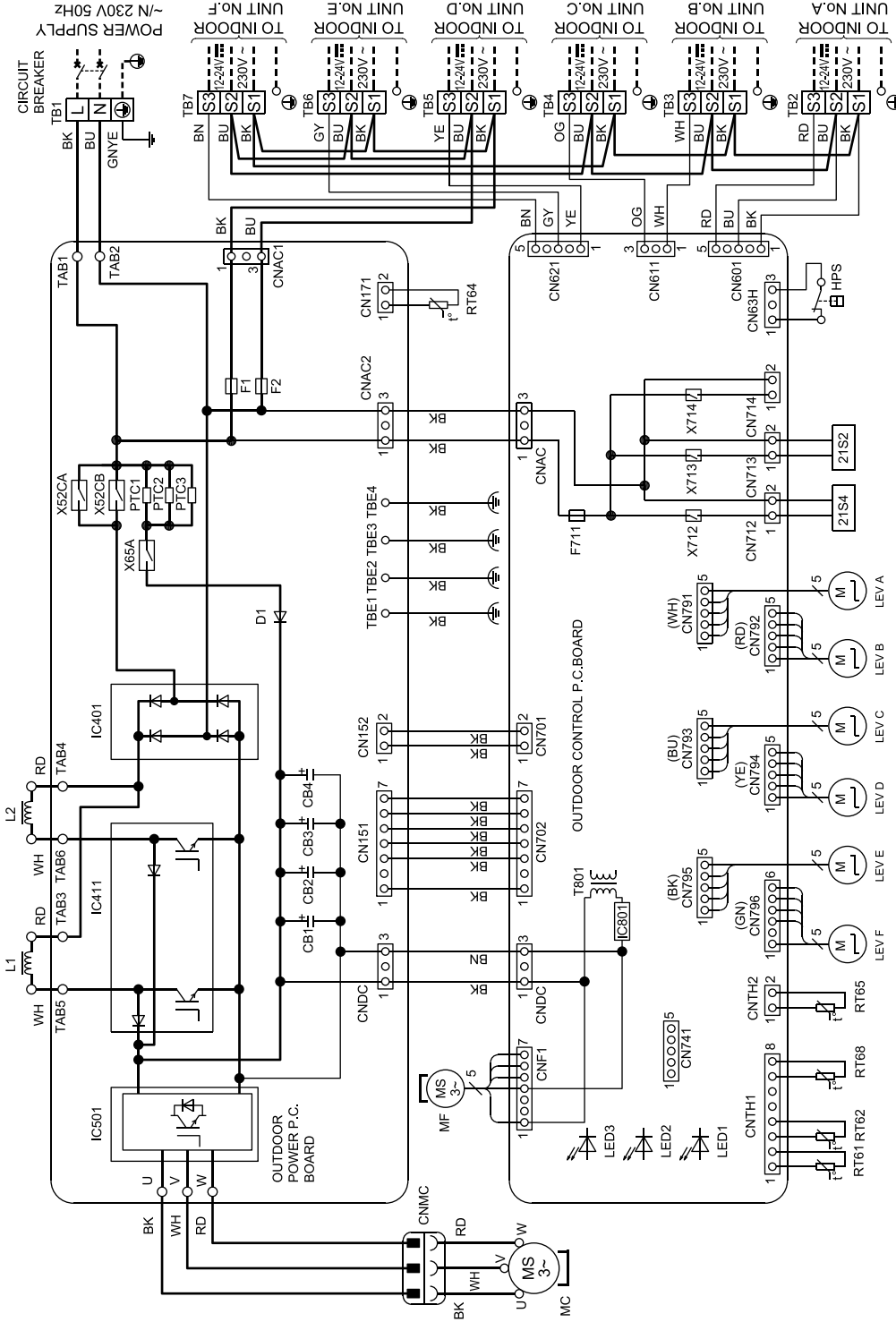
**MXZ-6D122VA - E2**



- NOTES:**
1. About the indoor side electric wiring refer to the indoor unit electric wiring diagram for servicing.
  2. Use copper conductors only (For field wiring).
  3. Symbols below indicate.
    - : Terminal block
    - : Connector

SYMBOL	NAME	SYMBOL	NAME
CB1-4	SMOOTHING CAPACITOR	RT61	DEFROST THERMISTOR
D1	DIODE	RT62	DISCHARGE TEMP.THERMISTOR
F1,F2	FUSE(T6.3AL250V)	RT64	FIN TEMP.THERMISTOR
F711	FUSE(T3.15AL250V)	RT65	AMBIENT TEMP.THERMISTOR
HPS	HIGH PRESSURE SWITCH	RT68	OUTDOOR HEAT EXCHANGER TEMPERATURE THERMISTOR
IC401	DIODE BRIDGE	T801	TRANSFORMER
IC501	POWER MODULE	TB1-7	TERMINAL BLOCK
IC801	POWER DEVICE	X52CA,B	RELAY
L1,L2	REACTOR	X65A	RELAY
LED1-3	LED	X712	RELAY
LEV A-F	EXPANSION VALVE COIL	X713	RELAY
MC	COMPRESSOR	X714	RELAY
MF	FAN MOTOR	21S2	2WAY VALVE SOLENOID COIL
P1C1-3	CIRCUIT PROTECTION	21S4	REVERSING VALVE SOLENOID COIL

**MXZ-6D122VA - ER2**

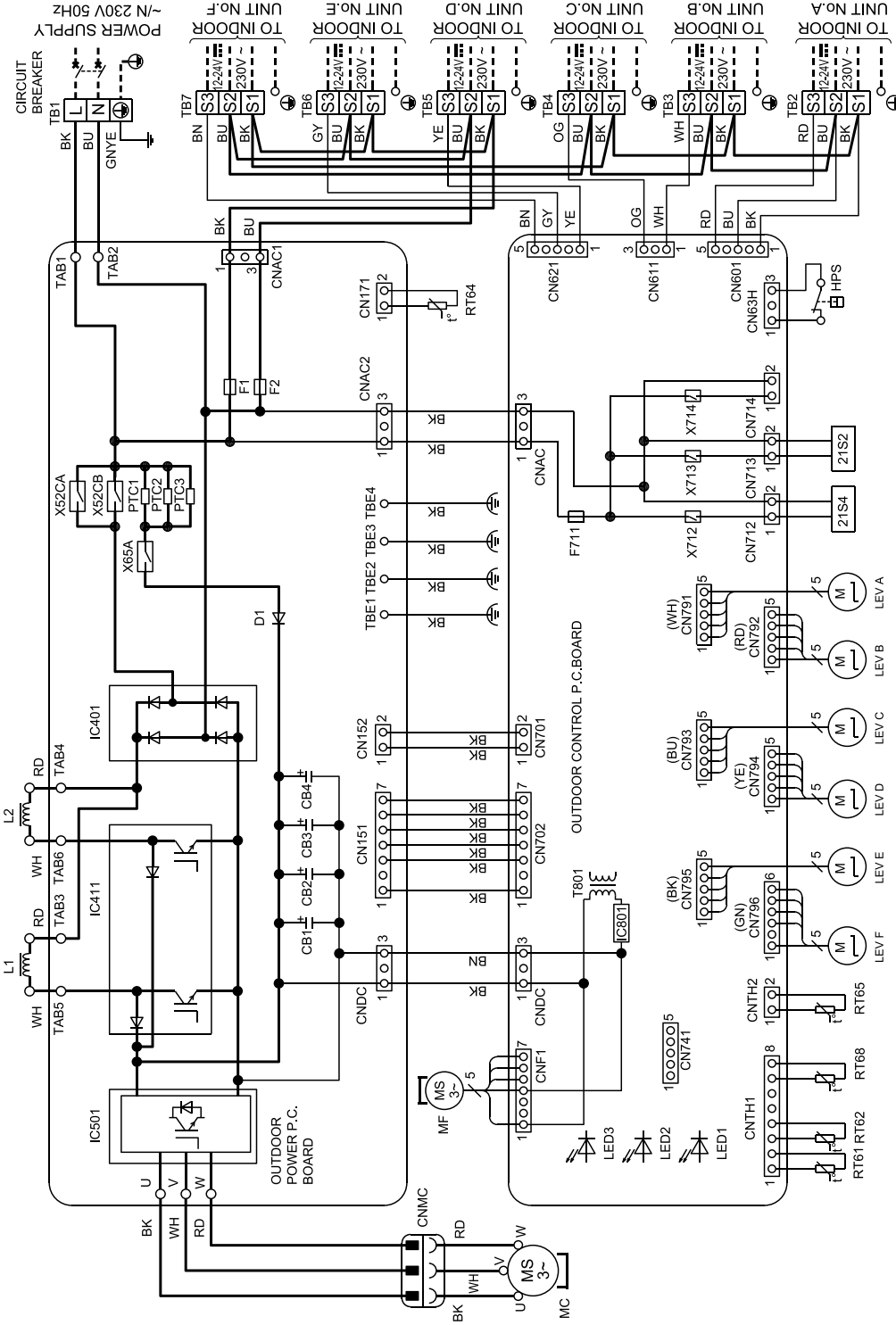


**NOTES:**

1. About the indoor side electric wiring refer to the indoor unit electric wiring diagram for servicing.
2. Use copper conductors only (For field wiring).
3. Symbols below indicate.
  - : Terminal block
  - : Connector

SYMBOL	NAME	SYMBOL	NAME
CB1~4	SMOOTHING CAPACITOR	RT61	DEFROST THERMISTOR
D1	DIODE	RT62	DISCHARGE TEMP.THERMISTOR
F1,F2	FUSE(T6.3AL250V)	RT64	FIN TEMP.THERMISTOR
F711	FUSE(T3.15AL250V)	RT65	AMBIENT TEMP.THERMISTOR
HPS	HIGH PRESSURE SWITCH	RT68	OUTDOOR HEAT EXCHANGER TEMPERATURE THERMISTOR
IC401	DIODE BRIDGE	T801	TRANSFORMER
IC411	POWER MODULE	TB1~7	TERMINAL BLOCK
IC501	POWER MODULE	X52CAB	RELAY
L1,L2	REACTOR	X65A	RELAY
LED1~3	LED	X712	RELAY
LEV A-F	EXPANSION VALVE COIL	X714	RELAY
MC	COMPRESSOR	Z1S2	2WAY VALVE SOLENOID COIL
MF	FAN MOTOR	Z1S4	REVERSING VALVE SOLENOID COIL
PTC1~3	CIRCUIT PROTECTION		

# MXZ-6D122VA -ET2

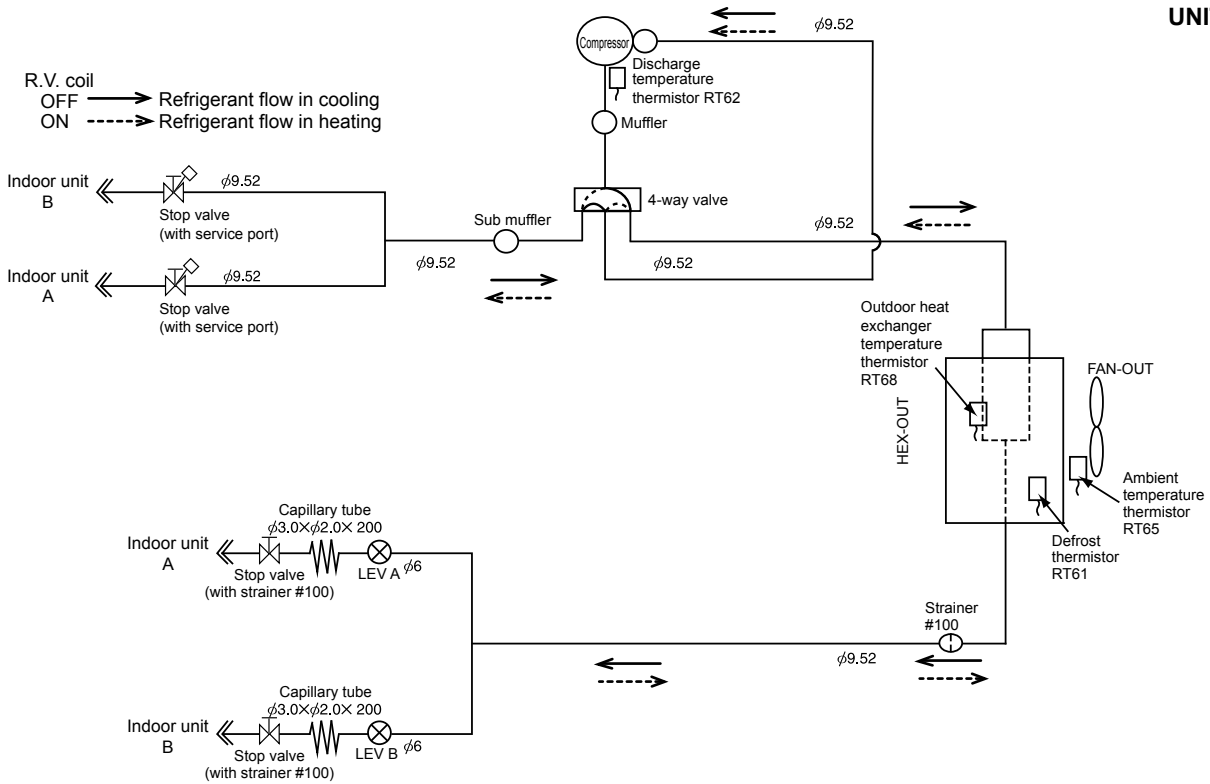


- NOTES:**
- 1. About the indoor side electric wiring refer to the indoor unit electric wiring diagram for servicing.
  - 2. Use copper conductors only (For field wiring).
  - 3. Symbols below indicate.
    - :Terminal block
    - :Connector

SYMBOL	NAME	SYMBOL	NAME
CB1~4	SMOOTHING CAPACITOR	RT61	DEFROST THERMISTOR
D1	DIODE	RT62	DISCHARGE TEMP.THERMISTOR
F1,F2	FUSE(T6.3AL250V)	RT64	FIN TEMP.THERMISTOR
F711	FUSE(T3.15AL250V)	RT65	AMBIENT TEMP.THERMISTOR
HPS	HIGH PRESSURE SWITCH	RT68	OUTDOOR HEAT EXCHANGER
IC401	DIODE BRIDGE	T801	TEMPERATURE THERMISTOR
IC411	POWER MODULE	TB1~7	TERMINAL BLOCK
IC501	POWER MODULE	X52CAB	RELAY
IC801	POWER DEVICE	X65A	RELAY
L1,L2	REACTOR	X712	RELAY
LED1~3	LED	X713	RELAY
LEV A-F	EXPANSION VALVE COIL	X714	RELAY
MC	COMPRESSOR	Z1S2	2WAY VALVE SOLENOID COIL
MF	FAN MOTOR	Z1S4	REVERSING VALVE SOLENOID COIL
PTC1~3	CIRCUIT PROTECTION		

## MXZ-2D33VA

UNIT: mm



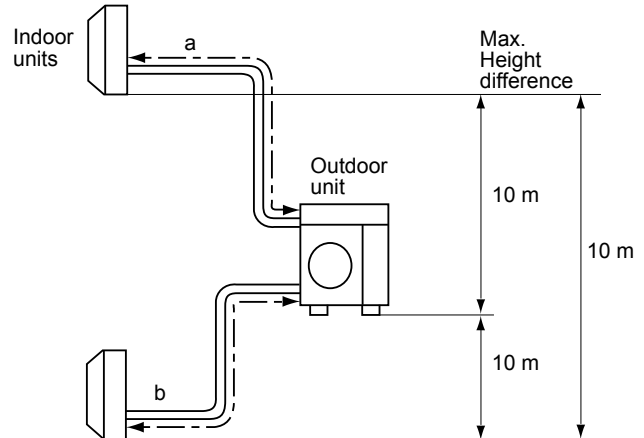
### MAX REFRIGERANT PIPING LENGTH

Piping length each indoor unit (a, b)	15 m
Total piping length (a+b)	20 m
Bending point for each unit	15
Total bending point	20

\*It is irrelevant which unit is higher.

### ADDITIONAL REFRIGERANT CHARGE

Outdoor unit precharged (g)	Refrigerant piping length (one way, 2 unit total)
	20 m
1,150	0



### WHEN CONNECTING TO MFZ-KJ SERIES INDOOR UNIT

MXZ-2D33VA - [E2]/[ER2]/[ET2]/[E3]/[ER3]/[ET3]

No. of MFZ-KJ indoor units	Refrigerant piping length (L)	Maximum amount of refrigerant
	~ 20 m	
None	Charge-less (1,150 g)	1,150 g
1 unit	100 g additional charge (1,250 g)	1,250 g
2 units	Not available	-

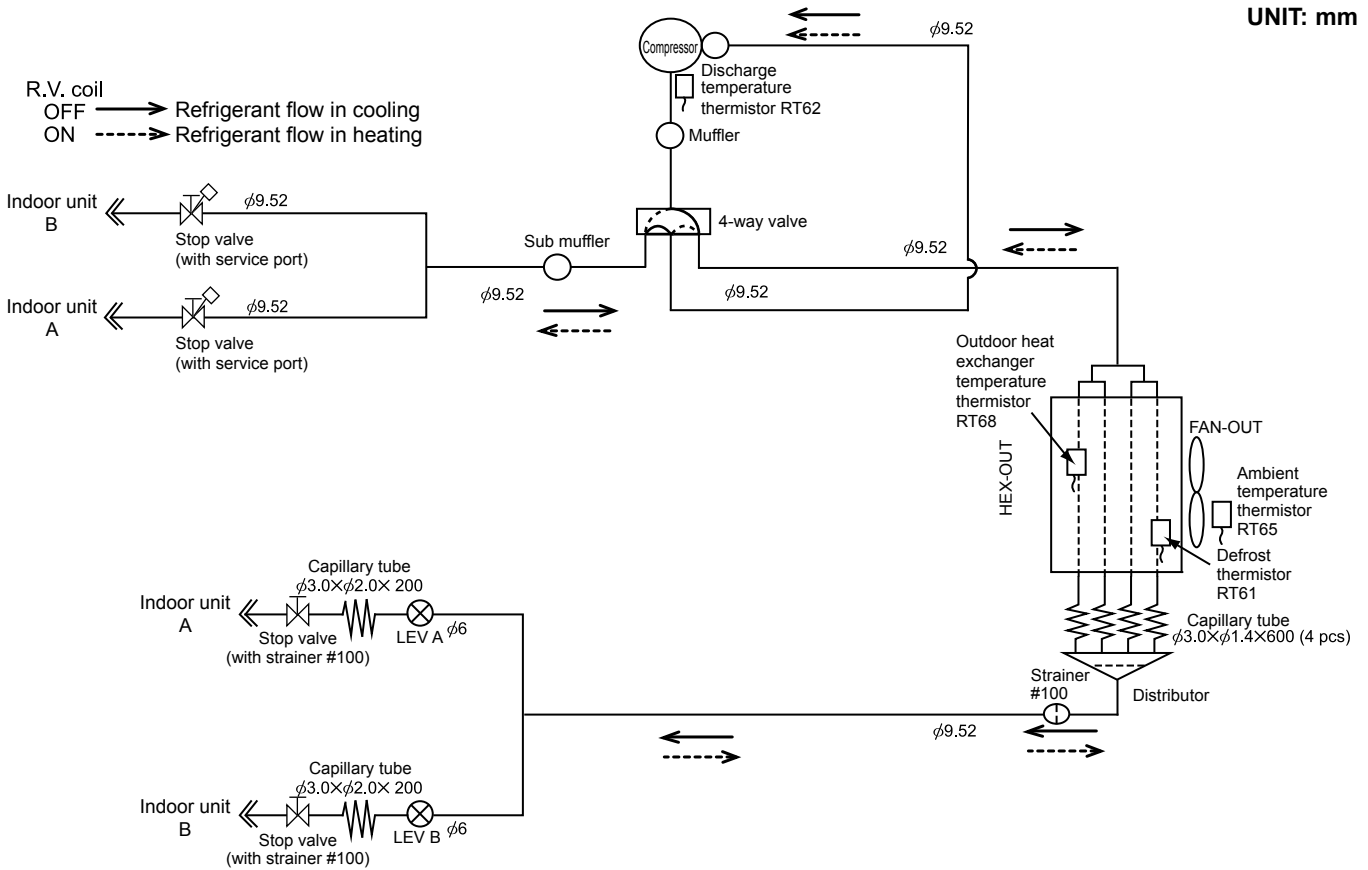
● Refrigerant pipe diameter is different according to indoor unit to be connected. When using extension pipes, refer to the table below.

UNIT: mm (inch)

Outdoor unit union diameter		
For		
Indoor unit A	Liquid	6.35(1/4)
	Gas	9.52(3/8)
Indoor unit B	Liquid	6.35(1/4)
	Gas	9.52(3/8)

# MXZ-2D40VA

UNIT: mm



## MAX REFRIGERANT PIPING LENGTH

Piping length each indoor unit (a, b)	20 m
Total piping length (a+b)	30 m
Bending point for each unit	20
Total bending point	30

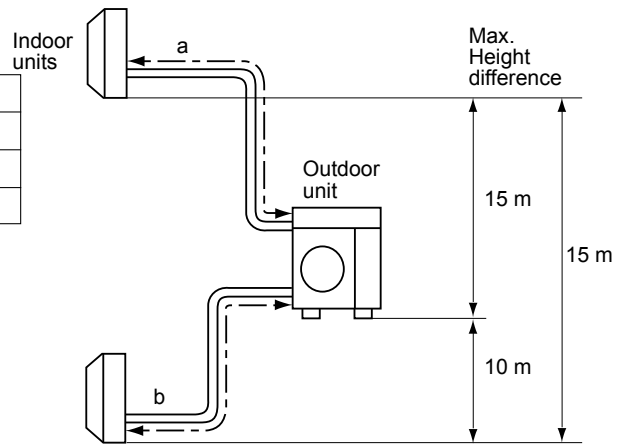
\*It is irrelevant which unit is higher.

## ADDITIONAL REFRIGERANT CHARGE

Outdoor unit precharged (g)	Refrigerant piping length (one way, 2 unit total)	
	20 m	30 m
1,300	0	200

Calculation :  $X_g = 20 \text{ g/m} \times (\text{Refrigerant piping length (m)} - 20)$

- Refrigerant pipe diameter is different according to indoor unit to be connected. When using extension pipes, refer to the table below.

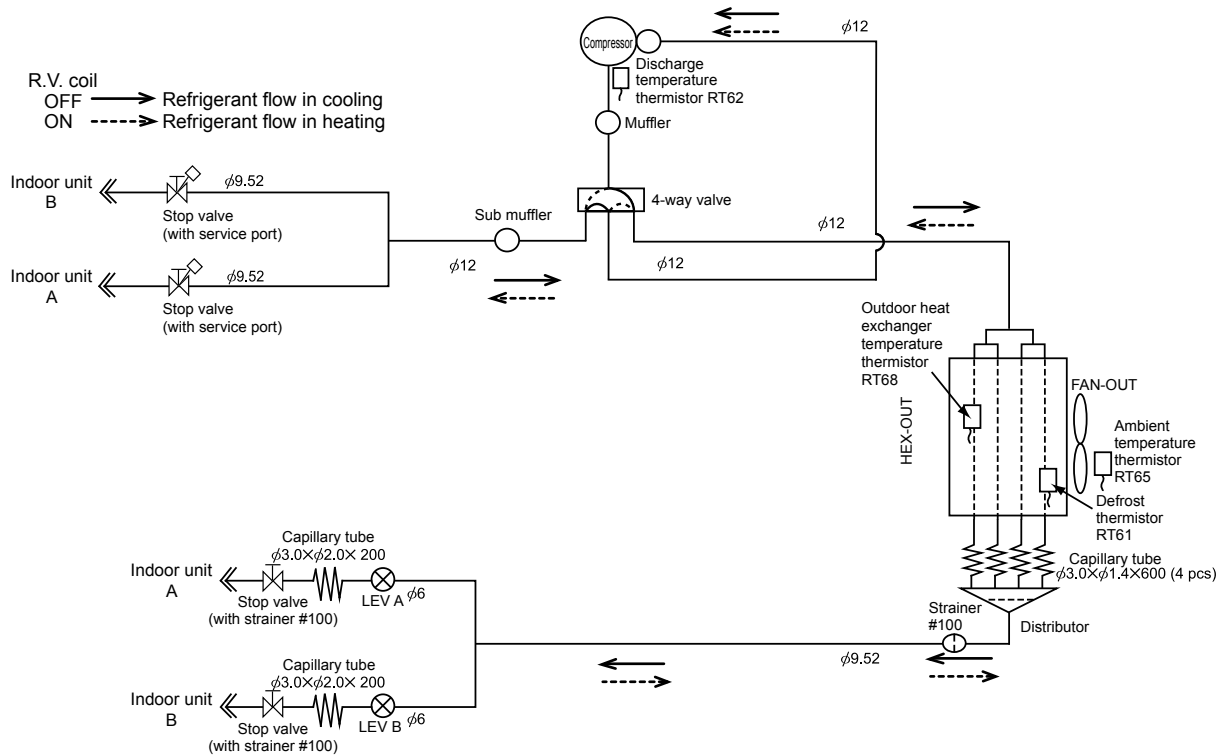


UNIT: mm (inch)

Outdoor unit union diameter		
For		
Indoor unit A	Liquid	6.35(1/4)
	Gas	9.52(3/8)
Indoor unit B	Liquid	6.35(1/4)
	Gas	9.52(3/8)

**MXZ-2D42VA MXZ-2D42VA2 MXZ-2D53VA MXZ-2D53VA2 MXZ-2D53VAH  
MXZ-2D53VAH2**

UNIT: mm



**MAX REFRIGERANT PIPING LENGTH**

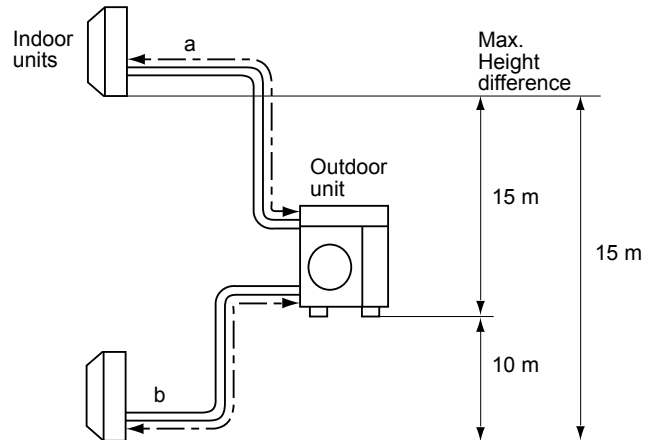
Piping length each indoor unit (a, b)	20 m
Total piping length (a+b)	30 m
Bending point for each unit	20
Total bending point	30

\*It is irrelevant which unit is higher.

**ADDITIONAL REFRIGERANT CHARGE**

Outdoor unit precharged (g)	Refrigerant piping length (one way, 2 unit total)	
	20 m	30 m
1,300	0	200

Calculation :  $Xg = 20 \text{ g/m} \times (\text{Refrigerant piping length (m)} - 20)$



**WHEN CONNECTING TO MFZ-KJ SERIES INDOOR UNIT**

**MXZ-2D42VA** -[E2]/[E3]/[ER3]/[ET2]/[ET3]

**MXZ-2D42VA2** -[E3]/[ET3]/[ER3]

**MXZ-2D53VA** -[E2]/[E3]/[ER2]/[ER3]/[ET2]/[ET3]

**MXZ-2D53VA2** -[E3]/[ET3]/[ER3]

**MXZ-2D53VAH** -[E2]/[E3]/[ER2]/[ER3]

**MXZ-2D53VAH2** -[E3]

No. of MFZ-KJ indoor units	Refrigerant piping length (L)		Maximum amount of refrigerant
	~ 20 m	~ 30 m	
None	Charge-less (1,300 g)	$(L-20) \times 20 \text{ g/m}$	1,500 g
1 unit	100 g additional charge (1,400 g)	$100 \text{ g} + (L-20) \times 20 \text{ g/m}$	1,600 g
2 units	200 g additional charge (1,500 g)	$200 \text{ g} + (L-20) \times 20 \text{ g/m}$	1,700 g

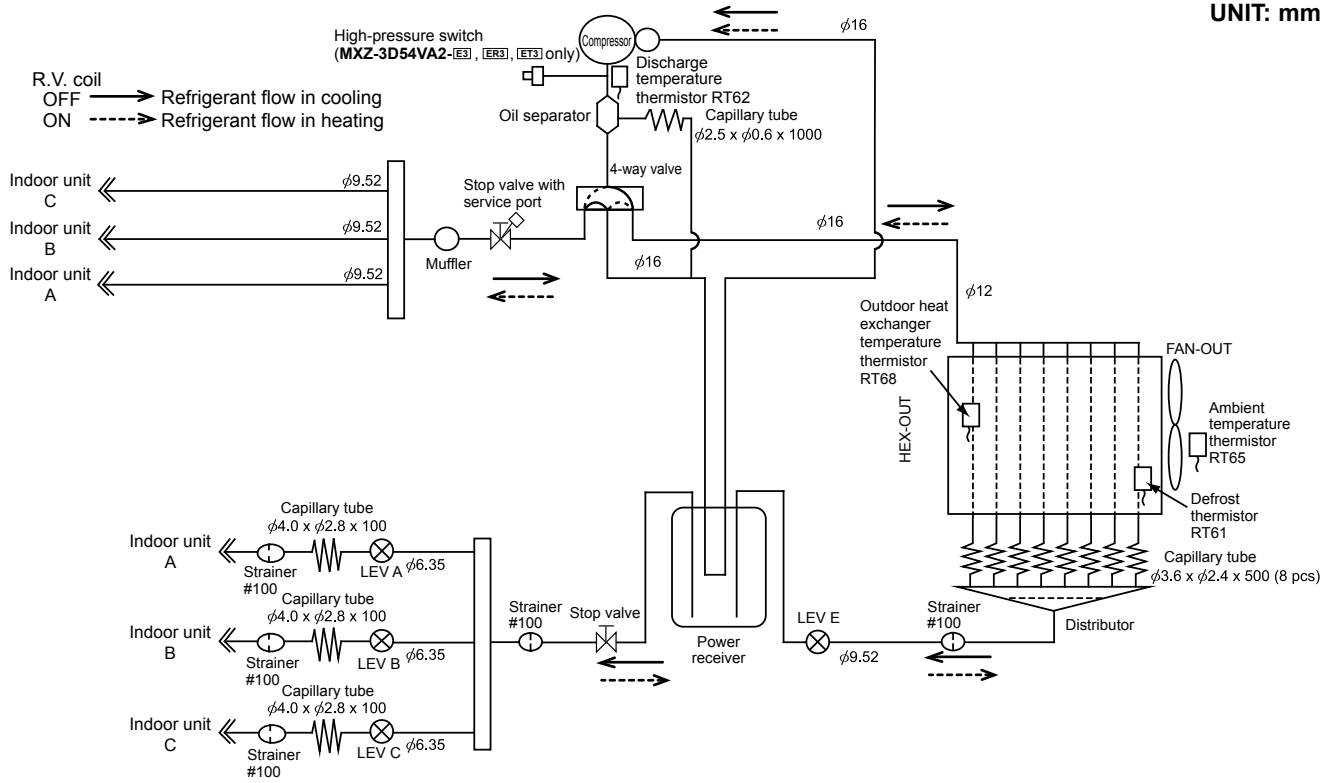
UNIT: mm (inch)

- Refrigerant pipe diameter is different according to indoor unit to be connected. When using extension pipes, refer to the right table.
- When diameter of refrigerant pipe is different from that of outdoor unit union, use optional Different-diameter pipe. For further information on Different-diameter pipe, refer to "PARTS CATALOG".

Outdoor unit union diameter		
For		
Indoor unit A	Liquid	6.35(1/4)
	Gas	9.52(3/8)
Indoor unit B	Liquid	6.35(1/4)
	Gas	9.52(3/8)

**MXZ-3D54VA MXZ-3D54VA2**

**UNIT: mm**



**MAX REFRIGERANT PIPING LENGTH**

Piping length each indoor unit (a, b, c)	25 m
Total piping length (a+b+c)	50 m
Bending point for each unit	25
Total bending point	50

\*It is irrelevant which unit is higher.

**ADDITIONAL REFRIGERANT CHARGE**

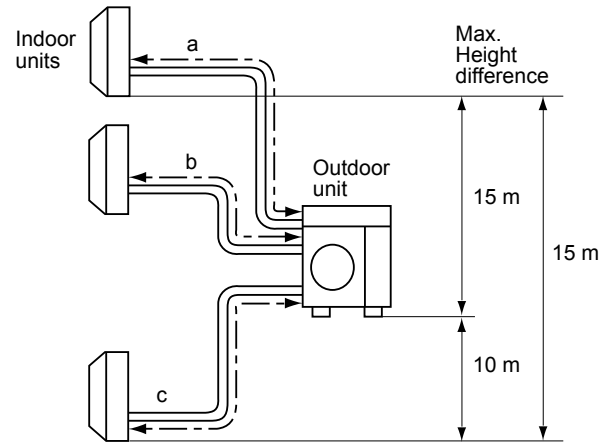
Outdoor unit precharged (g)	Refrigerant piping length (one way, 3 unit total)		
	40 m	50 m	60 m
2,700	0	200	400

Calculation :  $Xg = 20 \text{ g/m} \times (\text{Refrigerant piping length (m)} - 40)$

**WHEN CONNECTING TO MFZ-KJ SERIES INDOOR UNIT**

**MXZ-3D54VA2 -[E2]/[E3]/[ER2]/[ER3]/[ET2]/[ET3]**

No. of MFZ-KJ indoor units	Refrigerant piping length (L)		Maximum amount of refrigerant
	~ 40 m	~ 50 m	
None	Charge-less (2,700 g)	$(L-40) \times 20 \text{ g/m}$	2,900 g
1 unit	100 g additional charge (2,800 g)	$100 \text{ g} + (L-40) \times 20 \text{ g/m}$	3,000 g
2 units	200 g additional charge (2,900 g)	$200 \text{ g} + (L-40) \times 20 \text{ g/m}$	3,100 g
3 units	300 g additional charge (3,000 g)	$300 \text{ g} + (L-40) \times 20 \text{ g/m}$	3,200 g



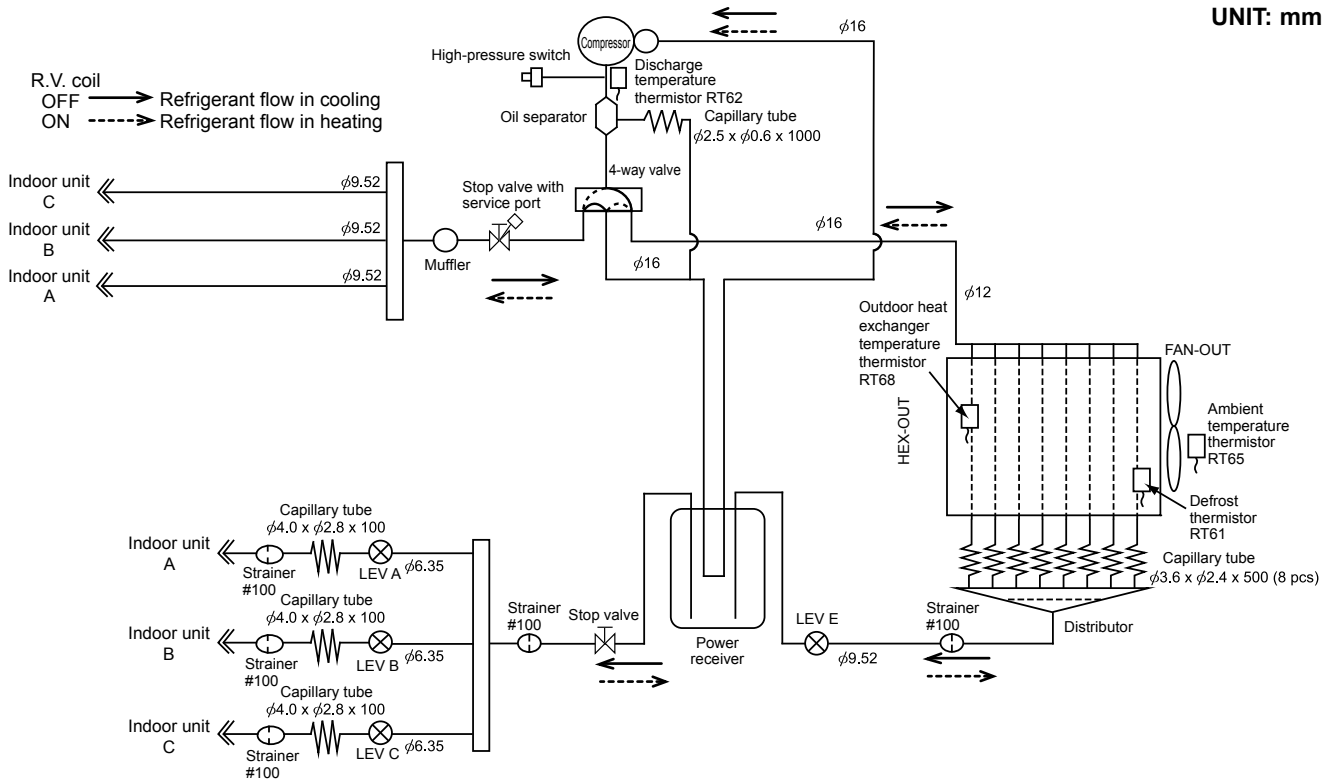
**UNIT: mm (inch)**

- Refrigerant pipe diameter is different according to indoor unit to be connected. When using extension pipes, refer to the right table.
- When diameter of refrigerant pipe is different from that of outdoor unit union, use optional Different-diameter pipe. For further information on Different-diameter pipe, refer to "PARTS CATALOG".

Outdoor unit union diameter		
For		
Indoor unit A	Liquid	6.35(1/4)
	Gas	9.52(3/8)
Indoor unit B	Liquid	6.35(1/4)
	Gas	9.52(3/8)
Indoor unit C	Liquid	6.35(1/4)
	Gas	9.52(3/8)

# MXZ-3D68VA

UNIT: mm



## MAX REFRIGERANT PIPING LENGTH

Piping length each indoor unit (a, b, c)	25 m
Total piping length (a+b+c)	60 m
Bending point for each unit	25
Total bending point	60

\*It is irrelevant which unit is higher.

## ADDITIONAL REFRIGERANT CHARGE

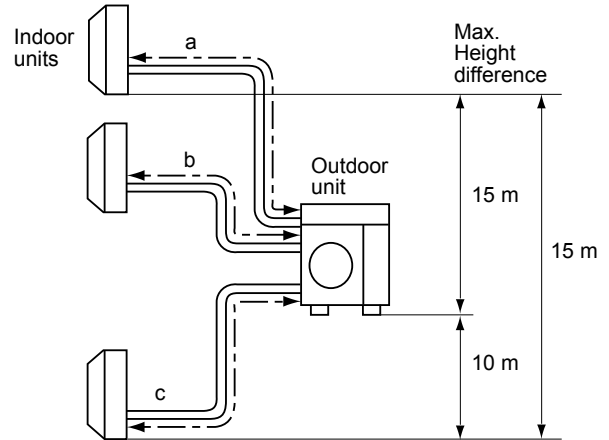
Outdoor unit precharged (g)	Refrigerant piping length (one way, 3 unit total)		
	40 m	50 m	60 m
2,700	0	200	400

Calculation :  $Xg = 20 \text{ g/m} \times (\text{Refrigerant piping length (m)} - 40)$

## WHEN CONNECTING TO MFZ-KJ SERIES INDOOR UNIT

MXZ-3D68VA - [E2]/[E3]/[ER2]/[ER3]/[ET2]/[ET3]

No. of MFZ-KJ indoor units	Refrigerant piping length (L)		Maximum amount of refrigerant
	~ 40 m	~ 60 m	
None	Charge-less (2,700 g)	$(L-40) \times 20 \text{ g/m}$	3,100 g
1 unit	100 g additional charge (2,800 g)	$100 \text{ g} + (L-40) \times 20 \text{ g/m}$	3,200 g
2 units	200 g additional charge (2,900 g)	$200 \text{ g} + (L-40) \times 20 \text{ g/m}$	3,300 g
3 units	300 g additional charge (3,000 g)	$300 \text{ g} + (L-40) \times 20 \text{ g/m}$	3,400 g



UNIT: mm (inch)

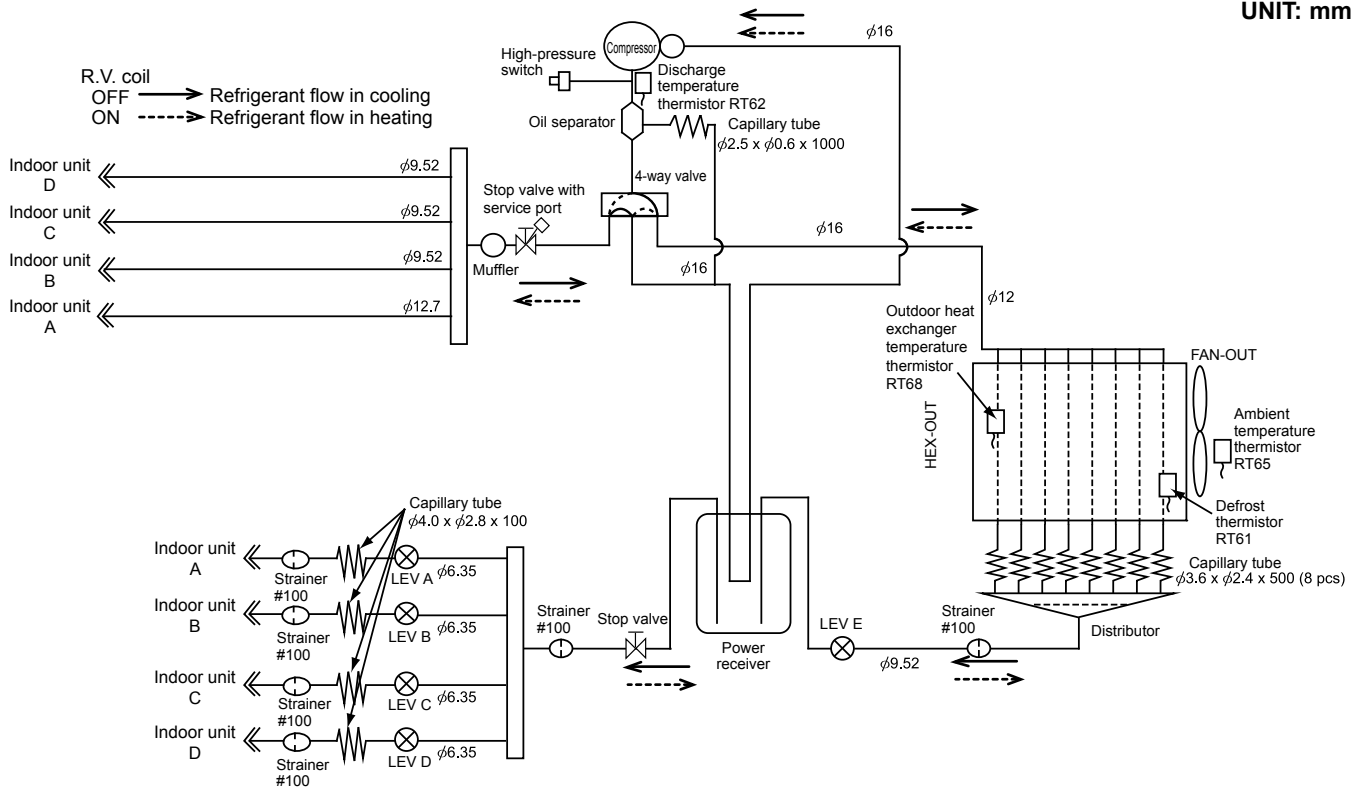
- Refrigerant pipe diameter is different according to indoor unit to be connected. When using extension pipes, refer to the right table.
  - When diameter of refrigerant pipe is different from that of outdoor unit union, use optional Different-diameter pipe.
- For further information on Different-diameter pipe, refer to "PARTS CATALOG".

Outdoor unit union diameter		
For		
Indoor unit A	Liquid	6.35(1/4)
	Gas	9.52(3/8)
Indoor unit B	Liquid	6.35(1/4)
	Gas	9.52(3/8)
Indoor unit C	Liquid	6.35(1/4)
	Gas	9.52(3/8)



# MXZ-4D72VA

UNIT: mm



## MAX REFRIGERANT PIPING LENGTH

Piping length each indoor unit (a, b, c, d)	25 m
Total piping length (a+b+c+d)	60 m
Bending point for each unit	25
Total bending point	60

\*It is irrelevant which unit is higher.

## ADDITIONAL REFRIGERANT CHARGE

Outdoor unit precharged (g)	Refrigerant piping length (one way, 4 unit total)		
	40 m	50 m	60 m
2,700	0	200	400

Calculation :  $X_g = 20 \text{ g/m} \times (\text{Refrigerant piping length (m)} - 40)$

## WHEN CONNECTING TO MFZ-KJ SERIES INDOOR UNIT

MXZ-4D72VA - [E2] / [E3] / [ER2] / [ER3] / [ET2] / [ET3]

No. of MFZ-KJ indoor units	Refrigerant piping length (L)		Maximum amount of refrigerant
	~ 40 m	~ 60 m	
None	Charge-less (2,700 g)	(L-40) x 20 g/m	3,100 g
1 unit	100 g additional charge (2,800 g)	100 g + (L-40) x 20 g/m	3,200 g
2 units	200 g additional charge (2,900 g)	200 g + (L-40) x 20 g/m	3,300 g
3 units	300 g additional charge (3,000 g)	300 g + (L-40) x 20 g/m	3,400 g
4 units	400 g additional charge (3,100 g)	400 g + (L-40) x 20 g/m	3,500 g

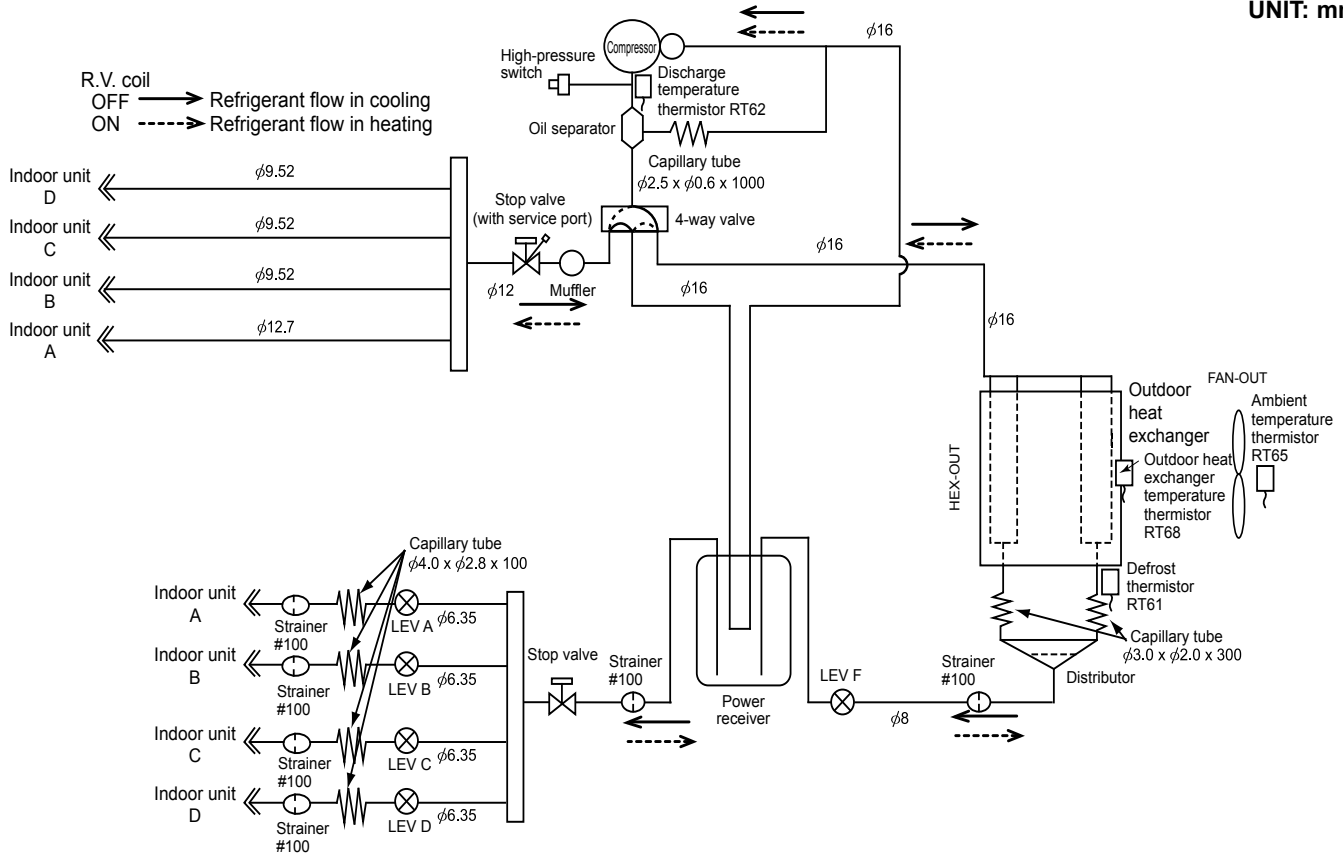
UNIT: mm (inch)

- Refrigerant pipe diameter is different according to indoor unit to be connected. When using extension pipes, refer to the right table.
- When diameter of refrigerant pipe is different from that of outdoor unit union, use optional Different-diameter pipe. For further information on Different-diameter pipe, refer to "PARTS CATALOG".

Outdoor unit union diameter		
For		
Indoor unit A	Liquid	6.35(1/4)
	Gas	12.7(1/2)
Indoor unit B	Liquid	6.35(1/4)
	Gas	9.52(3/8)
Indoor unit C	Liquid	6.35(1/4)
	Gas	9.52(3/8)
Indoor unit D	Liquid	6.35(1/4)
	Gas	9.52(3/8)

# MXZ-4D83VA

UNIT: mm



## MAX REFRIGERANT PIPING LENGTH

Piping length each indoor unit (a, b, c, d)	25 m
Total piping length (a+b+c+d)	70 m
Bending point for each unit	25
Total bending point	70

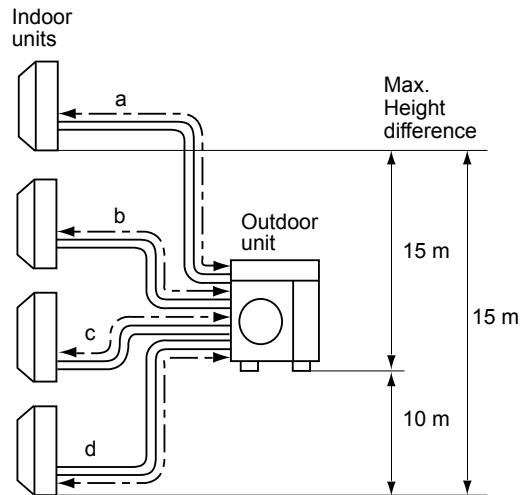
\*It is irrelevant which unit is higher.

## ADDITIONAL REFRIGERANT CHARGE

Outdoor unit precharged (g)	Refrigerant piping length (one way, 4 unit total)			
	40 m	50 m	60 m	70 m
3,500	0	200	400	600

Calculation :  $Xg = 20 \text{ g/m} \times (\text{Refrigerant piping length (m)} - 40)$

- Refrigerant pipe diameter is different according to indoor unit to be connected. When using extension pipes, refer to the tables below.
- When diameter of refrigerant pipe is different from that of outdoor unit union, use optional Different-diameter pipe. For further information on Different-diameter pipe, refer to "PARTS CATALOG".

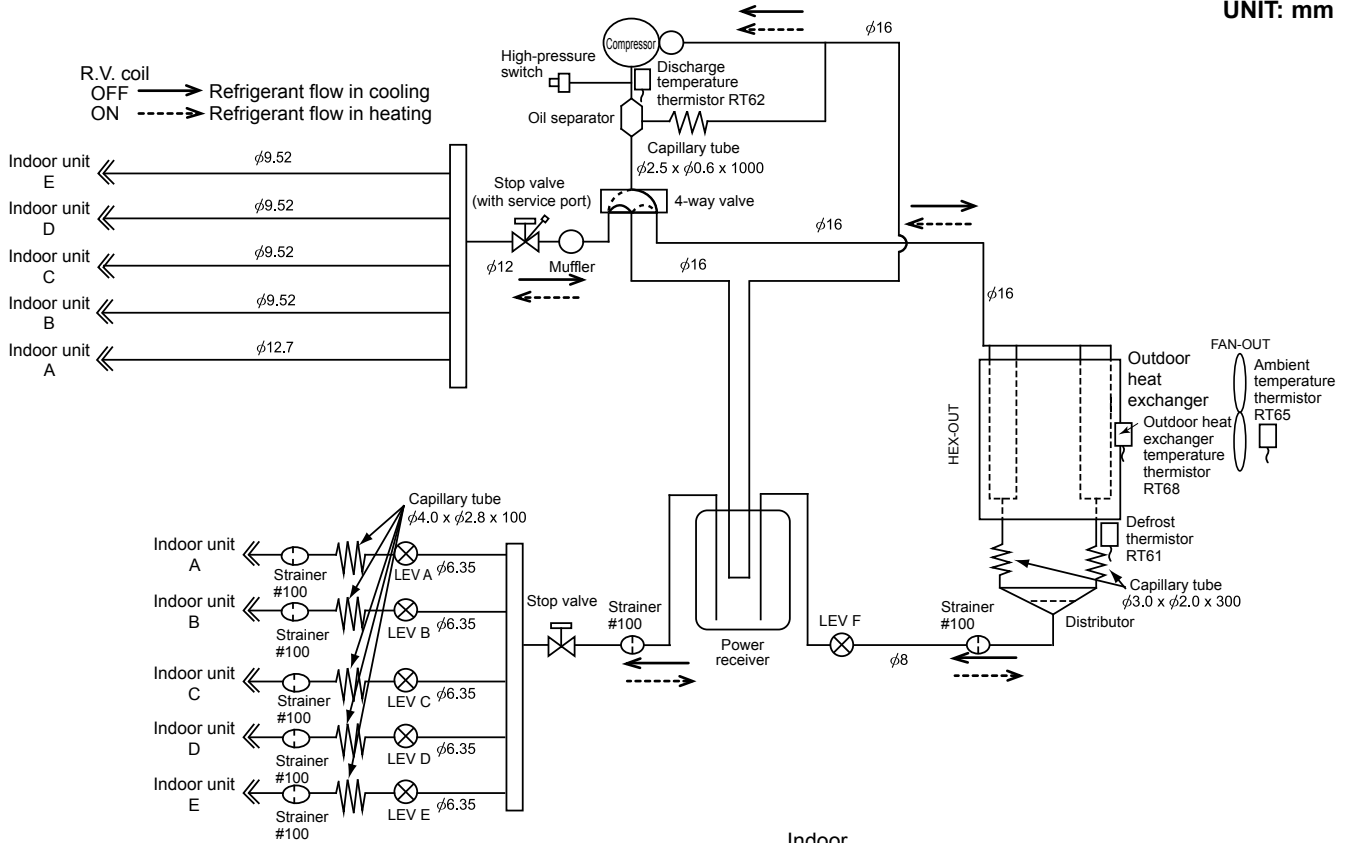


UNIT: mm (inch)

Outdoor unit union diameter		
For		
Indoor unit A	Liquid	6.35(1/4)
	Gas	12.7(1/2)
Indoor unit B	Liquid	6.35(1/4)
	Gas	9.52(3/8)
Indoor unit C	Liquid	6.35(1/4)
	Gas	9.52(3/8)
Indoor unit D	Liquid	6.35(1/4)
	Gas	9.52(3/8)

# MXZ-5D102VA

UNIT: mm



## MAX REFRIGERANT PIPING LENGTH

Piping length each indoor unit (a, b, c, d, e)	25 m
Total piping length (a+b+c+d+e)	80 m
Bending point for each unit	25
Total bending point	80

\*It is irrelevant which unit is higher.

## ADDITIONAL REFRIGERANT CHARGE

Outdoor unit precharged (g)	Refrigerant piping length (one way, 5 unit total)				
	40 m	50 m	60 m	70 m	80 m
4,000	0	200	400	600	800

Calculation :  $Xg = 20 \text{ g/m} \times (\text{Refrigerant piping length (m)} - 40)$

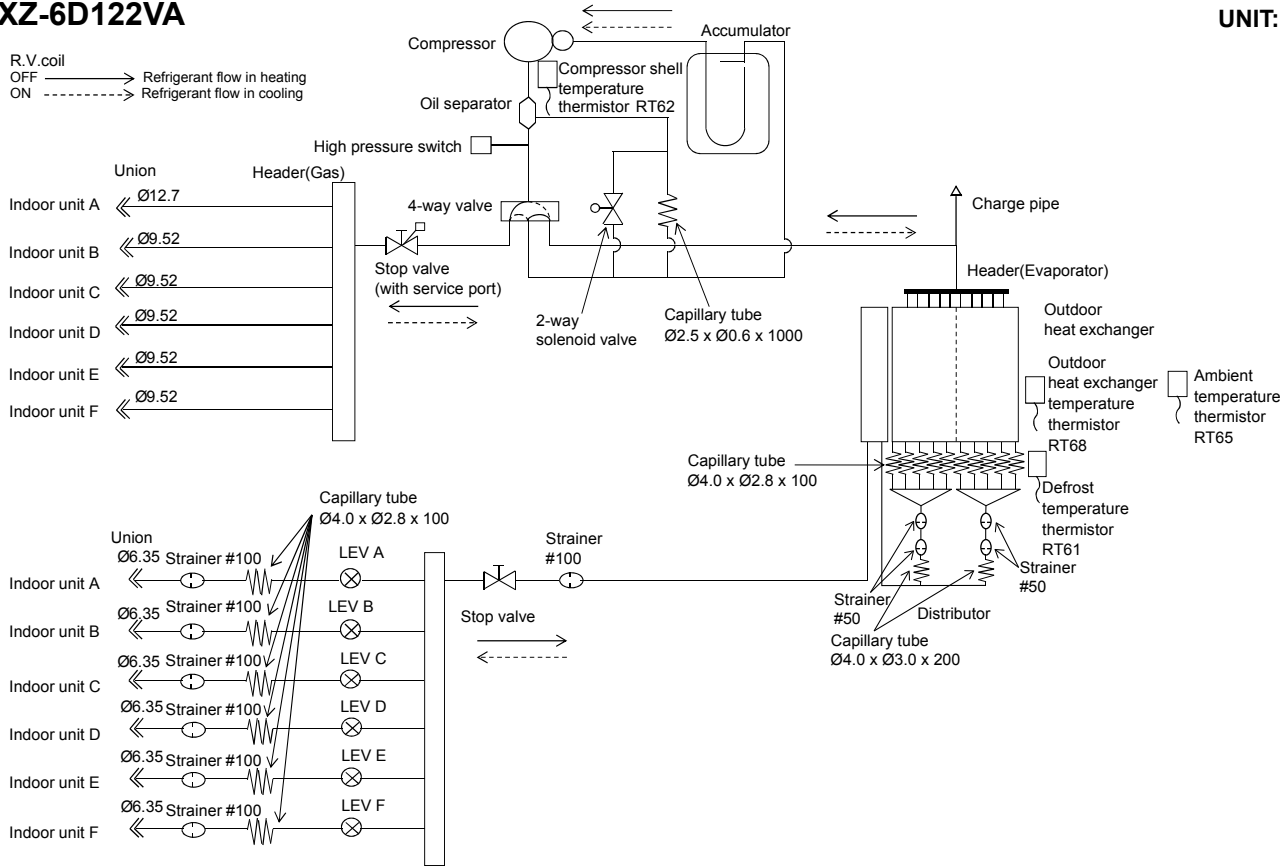
- Refrigerant pipe diameter is different according to indoor unit to be connected. When using extension pipes, refer to the tables below.
- When diameter of refrigerant pipe is different from that of outdoor unit union, use optional Different-diameter pipe. For further information on Different-diameter pipe, refer to "PARTS CATALOG".

UNIT: mm (inch)

Outdoor unit union diameter		
For		
Indoor unit A	Liquid	6.35(1/4)
	Gas	12.7(1/2)
Indoor unit B	Liquid	6.35(1/4)
	Gas	9.52(3/8)
Indoor unit C	Liquid	6.35(1/4)
	Gas	9.52(3/8)
Indoor unit D	Liquid	6.35(1/4)
	Gas	9.52(3/8)
Indoor unit E	Liquid	6.35(1/4)
	Gas	9.52(3/8)

# MXZ-6D122VA

UNIT: mm



## MAX REFRIGERANT PIPING LENGTH

Piping length each indoor unit (a, b, c, d, e)	25 m
Total piping length (a+b+c+d+e)	80 m
Bending point for each unit	25
Total bending point	80

\*It is irrelevant which unit is higher.

## ADDITIONAL REFRIGERANT CHARGE

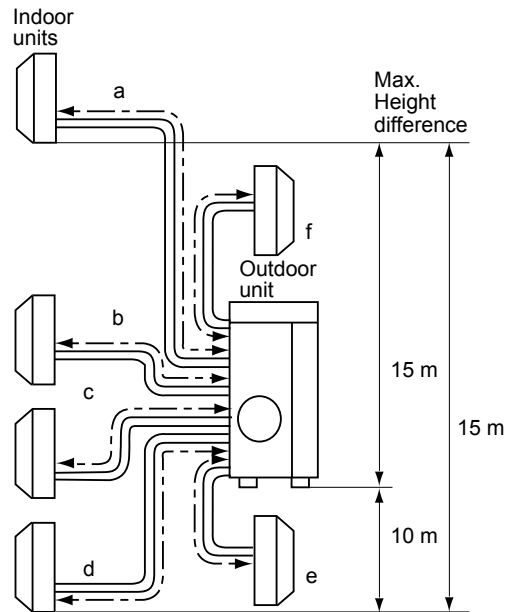
Outdoor unit precharged (g)	Refrigerant piping length (one way, 5 unit total)				
	40 m	50 m	60 m	70 m	80 m
4,000	200	400	600	800	1000

Calculation :  $X_g = 20 \text{ g/m} \times (\text{Refrigerant piping length (m)} - 30)$

- Refrigerant pipe diameter is different according to indoor unit to be connected. When using extension pipes, refer to the tables below.
- When diameter of refrigerant pipe is different from that of outdoor unit union, use optional Different-diameter pipe. For further information on Different-diameter pipe, refer to "PARTS CATALOG".

UNIT: mm (inch)

Outdoor unit union diameter			Outdoor unit union diameter		
For			For		
Indoor unit A	Liquid	6.35(1/4)	Indoor unit D	Liquid	6.35(1/4)
	Gas	12.7(1/2)		Gas	9.52(3/8)
Indoor unit B	Liquid	6.35(1/4)	Indoor unit E	Liquid	6.35(1/4)
	Gas	9.52(3/8)		Gas	9.52(3/8)
Indoor unit C	Liquid	6.35(1/4)	Indoor unit F	Liquid	6.35(1/4)
	Gas	9.52(3/8)		Gas	9.52(3/8)



## PUMPING DOWN

When relocating or disposing of the air conditioner, pump down the system following the procedure below so that no refrigerant is released into the atmosphere.

- 1) Turn off the breaker.
- 2) Connect the gauge manifold valve to the service port of the stop valve on the gas pipe side of the outdoor unit.
- 3) Fully close the stop valve on the liquid pipe side of the outdoor unit.
- 4) Turn on the breaker.
- 5) Start the emergency COOL operation on all the indoor units.
- 6) When the pressure gauge shows 0.05 to 0 MPa [Gauge] (approximately 0.5 to 0 kgf/cm<sup>2</sup>), fully close the stop valve on the gas pipe side of the outdoor unit and stop the operation. (Refer to the indoor unit installation manual about the method for stopping the operation.)
  - \* If too much refrigerant has been added to the air conditioner system, the pressure may not drop to 0.05 to 0 MPa [Gauge] (approximately 0.5 to 0 kgf/cm<sup>2</sup>), or the protection function may operate due to the pressure increase in the high pressure refrigerant circuit. If this occurs, use a refrigerant collecting device to collect all of the refrigerant in the system, and then recharge the system with the correct amount of refrigerant after the indoor and outdoor units have been relocated.
- 7) Turn off the breaker. Remove the pressure gauge and the refrigerant piping.

### WARNING

When pumping down the refrigerant, stop the compressor before disconnecting the refrigerant pipes. The compressor may burst and cause injury if any foreign substance, such as air, enters the pipes.

**MXZ-2D33VA**   **MXZ-2D40VA**   **MXZ-2D42VA**   **MXZ-2D42VA2**  
**MXZ-2D53VA**   **MXZ-2D53VA2**   **MXZ-2D53VAH**   **MXZ-2D53VAH2**  
**MXZ-3D54VA**   **MXZ-3D54VA2**   **MXZ-3D68VA**  
**MXZ-4D72VA**   **MXZ-4D83VA**   **MXZ-5D102VA**   **MXZ-6D122VA**

The standard specifications apply only to the operation of the air conditioner under normal conditions.

Since operating conditions vary according to the areas where these units are installed, the following information has been provided to clarify the operating characteristics of the air conditioner under the conditions indicated by the performance curve.

**(1) GUARANTEED VOLTAGE**

198 - 264 V 50 Hz

**(2) AIR FLOW**

Air flow should be set at MAX.

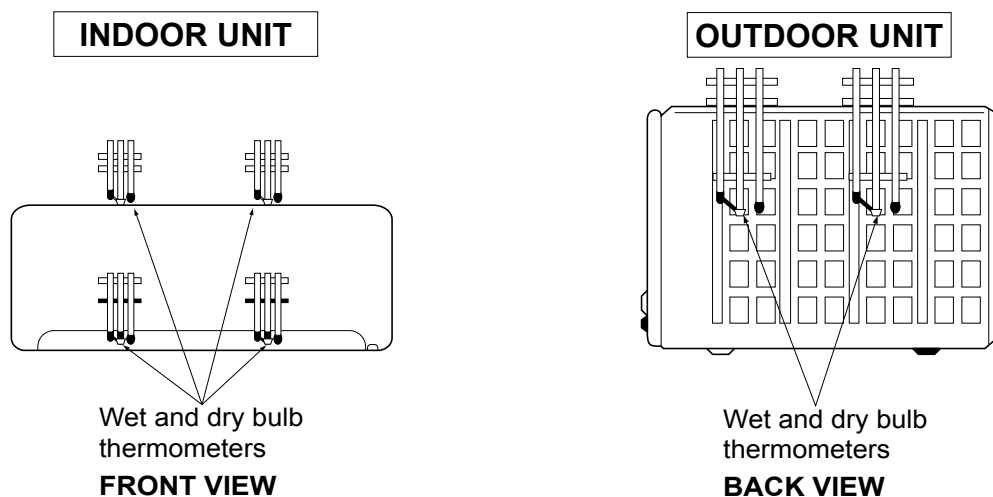
**(3) MAIN READINGS**

- |  |      |           |
|--|------|-----------|
| (1) Indoor intake air wet-bulb temperature:  | °CWB | } Cooling |
| (2) Indoor outlet air wet-bulb temperature:  | °CWB |           |
| (3) Outdoor intake air dry-bulb temperature: | °CDB |           |
| (4) Total input:                             | W    | } Heating |
| (5) Indoor intake air dry-bulb temperature:  | °CDB |           |
| (6) Outdoor intake air wet-bulb temperature: | °CWB |           |
| (7) Total input:                             | W    |           |

Indoor air wet and dry bulb temperature difference on the left side of the following chart shows the difference between the indoor intake air wet and dry bulb temperature and the indoor outlet air wet and dry bulb temperature for your reference at service.

**How to measure the indoor air wet and dry bulb temperature difference**

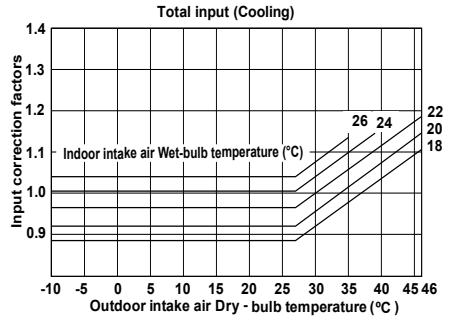
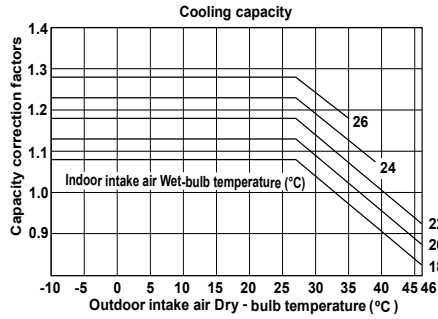
- Attach at least 2 sets of wet and dry bulb thermometers to the indoor air intake as shown in the figure, and at least 2 sets of wet and dry bulb thermometers to the indoor air outlet. The thermometers must be attached to the position where air speed is high.
- Attach at least 2 sets of wet and dry bulb thermometers to the outdoor air intake. Cover the thermometers to prevent direct rays of the sun.
- Check that the air filter is cleaned.
- Open windows and doors of room.
- Press the EMERGENCY OPERATION switch once (twice) to start the EMERGENCY COOL (HEAT) MODE.
- When system stabilizes after more than 15 minutes, measure temperature and take an average temperature.
- 10 minutes later, measure temperature again and check that the temperature does not change.



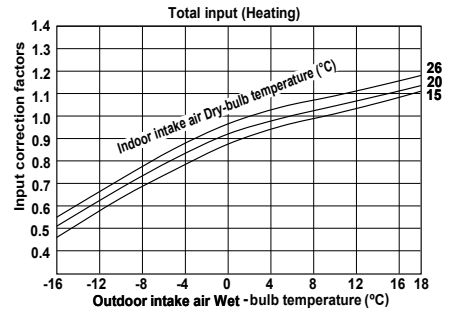
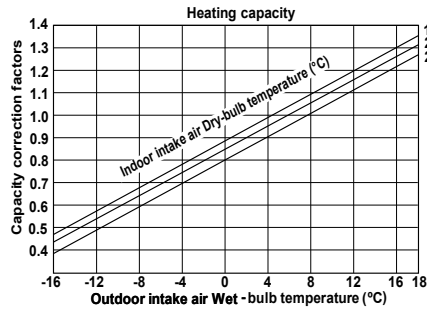
## 8-1. CAPACITY AND THE INPUT CURVES

**MXZ-2D33VA MXZ-2D40VA MXZ-2D42VA MXZ-2D42VA2**  
**MXZ-2D53VA MXZ-2D53VA2 MXZ-2D53VAH MXZ-2D53VAH2**

5.8	4.1	7.4	5.2	6.0	8.8	10.9	11.2
5.4	3.8	6.8	4.8	5.5	8.0	10.0	10.2
4.9	3.5	6.2	4.4	5.0	7.3	9.1	9.3
4.5	3.2	5.7	4.0	4.6	6.6	8.2	8.4
4.0	2.9	5.1	3.6	4.1	6.0	7.3	7.5
3.6	2.6	4.5	3.2	3.7	5.3	6.5	6.7
15 class	18 class	20 class	22 class	25 class	35 class (MXZ-2D40VA)	42 class (MXZ-2D53VA)	50 class (MXZ-2D53VA)

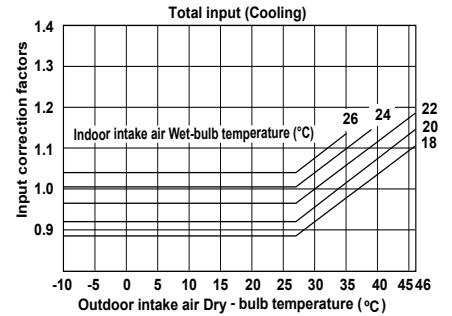
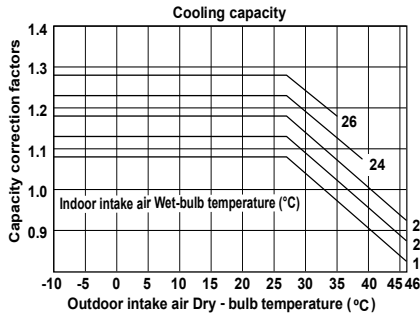


18.6	20.4	22.7	20.4	22.8	23.6	28.5	28.7
17.2	19.0	20.9	19.0	21.0	21.9	26.5	26.6
15.8	17.6	19.1	17.6	19.2	20.2	24.5	24.5
14.4	16.1	17.5	16.1	17.6	18.3	22.2	22.3
13.1	14.5	15.9	14.5	16.0	16.6	20.2	20.2
11.7	13.0	14.2	13.0	14.2	14.8	18.0	18.0
10.3	11.6	12.6	11.6	12.6	13.2	16.0	16.0
9.0	10.0	11.0	10.0	11.1	11.5	13.8	13.8
7.7	8.6	9.3	8.6	9.4	9.8	11.8	11.9
6.4	7.2	7.6	7.2	7.7	8.1	9.8	10.0
5.1	5.8	5.9	5.8	6.0	6.4	7.8	8.1
15 class	18 class	20 class	22 class	25 class	35 class (MXZ-2D40VA)	42 class (MXZ-2D53VA)	50 class (MXZ-2D53VA)

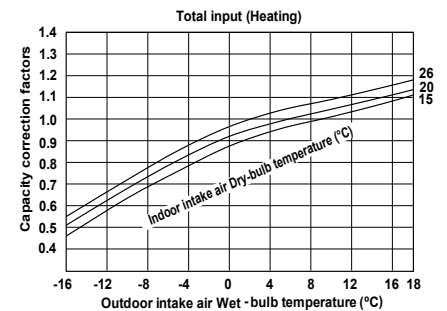
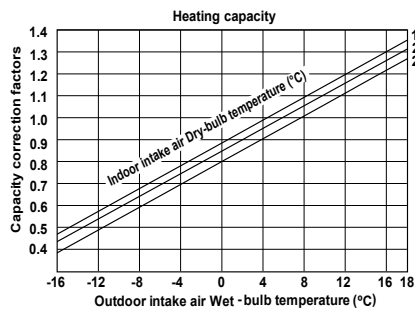


**MXZ-3D54VA MXZ-3D54VA2 MXZ-3D68VA MXZ-4D72VA**

6.3	4.1	8.0	8.5	9.3	10.6	9.5	13.1	13.7
5.8	3.8	7.3	7.8	8.5	9.7	8.7	11.9	12.4
5.3	3.5	6.7	7.1	7.8	8.8	8.0	10.8	11.3
4.8	3.2	6.0	6.4	7.0	7.9	7.2	9.7	10.1
4.3	2.9	5.4	5.8	6.3	7.1	6.5	8.7	9.0
3.9	2.6	4.8	5.1	5.6	6.3	5.7	7.7	8.0
15 class	18 class	20 class	22 class	25 class	35 class	42 class	50 class	60 class



18.4	20.4	21.2	27.4	25.8	27.9	29.1	33.8	34.4
17.1	19.0	19.7	25.4	24.0	25.9	27.0	31.4	31.9
15.8	17.6	18.2	23.4	22.2	23.9	24.9	29.0	29.4
14.5	16.1	16.7	21.5	20.3	21.9	22.8	26.6	27.0
13.2	14.5	15.2	19.5	18.5	19.9	20.7	24.1	24.5
11.8	13.0	13.6	17.6	16.6	17.9	18.7	21.7	22.1
10.5	11.6	12.1	15.6	14.8	15.9	16.6	19.3	19.6
9.2	10.0	10.6	13.7	12.9	13.9	14.5	16.9	17.2
7.9	8.6	9.1	11.7	11.1	12.0	12.4	14.5	14.7
6.6	7.2	7.6	9.7	9.3	10.1	10.3	12.1	12.2
5.3	5.8	6.1	7.7	7.5	8.2	8.2	9.7	9.7
15 class	18 class	20 class	22 class	25 class	35 class	42 class	50 class	60 class



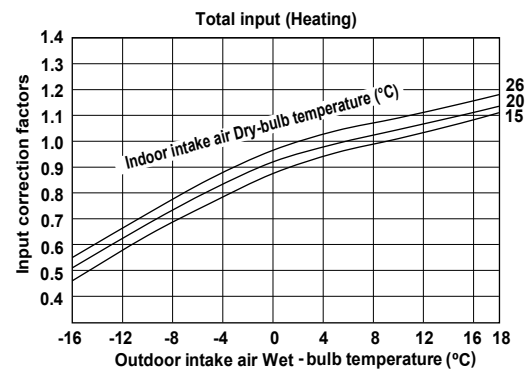
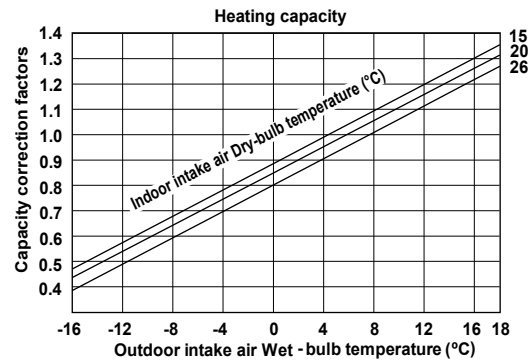
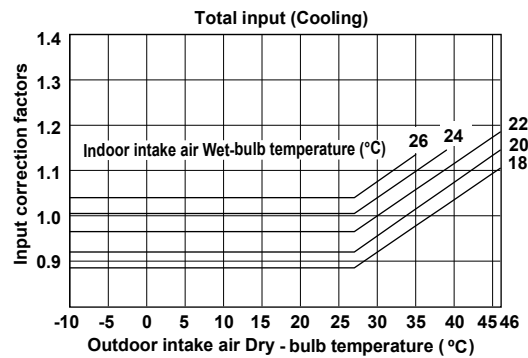
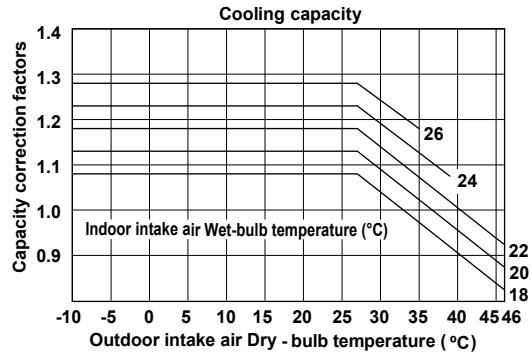
# MXZ-4D83VA MXZ-5D102VA

Indoor air Wet-bulb temperature difference (°C)	6.3	4.1	8.0	8.5	9.3	10.6	9.5	13.1	13.7	17.0
	5.8	3.8	7.3	7.8	8.5	9.7	8.7	11.9	12.4	15.4
	5.3	3.5	6.7	7.1	7.8	8.8	8.0	10.8	11.3	13.9
	4.8	3.2	6.0	6.4	7.0	7.9	7.2	9.7	10.1	12.5
	4.3	2.9	5.4	5.8	6.3	7.1	6.5	8.7	9.0	11.1
	3.9	2.6	4.8	5.1	5.6	6.3	5.7	7.7	8.0	9.7
	<b>15 class</b>	<b>18 class</b>	<b>20 class</b>	<b>22 class</b>	<b>25 class</b>	<b>35 class</b>	<b>42 class</b>	<b>50 class</b>	<b>60 class</b>	<b>71 class</b>

Indoor air Wet-bulb temperature difference (°C)	6.3	4.1	8.0	8.5	9.3	10.6	9.5	13.1	13.7	17.0
	5.8	3.8	7.3	7.8	8.5	9.7	8.7	11.9	12.4	15.4
	5.3	3.5	6.7	7.1	7.8	8.8	8.0	10.8	11.3	13.9
	4.8	3.2	6.0	6.4	7.0	7.9	7.2	9.7	10.1	12.5
	4.3	2.9	5.4	5.8	6.3	7.1	6.5	8.7	9.0	11.1
	3.9	2.6	4.8	5.1	5.6	6.3	5.7	7.7	8.0	9.7
	<b>15 class</b>	<b>18 class</b>	<b>20 class</b>	<b>22 class</b>	<b>25 class</b>	<b>35 class</b>	<b>42 class</b>	<b>50 class</b>	<b>60 class</b>	<b>71 class</b>

Indoor air Dry-bulb temperature difference (°C)	18.4	20.4	21.2	27.4	25.8	27.9	29.1	33.8	34.4	37.8
	17.1	19.0	19.7	25.4	24.0	25.9	27.0	31.4	31.9	35.1
	15.8	17.6	18.2	23.4	22.2	23.9	24.9	29.0	29.4	32.4
	14.5	16.1	16.7	21.5	20.3	21.9	22.8	26.6	27.0	29.7
	13.2	14.5	15.2	19.5	18.5	19.9	20.7	24.1	24.5	27.0
	11.8	13.0	13.6	17.6	16.6	17.9	18.7	21.7	22.1	24.3
	10.5	11.6	12.1	15.6	14.8	15.9	16.6	19.3	19.6	21.6
	9.2	10.0	10.6	13.7	12.9	13.9	14.5	16.9	17.2	18.9
	7.9	8.6	9.1	11.7	11.1	12.0	12.4	14.5	14.7	16.2
	6.6	7.2	7.6	9.7	9.3	10.1	10.3	12.1	12.2	13.5
	5.3	5.8	6.1	7.7	7.5	8.2	8.2	9.7	9.7	10.8
	<b>15 class</b>	<b>18 class</b>	<b>20 class</b>	<b>22 class</b>	<b>25 class</b>	<b>35 class</b>	<b>42 class</b>	<b>50 class</b>	<b>60 class</b>	<b>71 class</b>

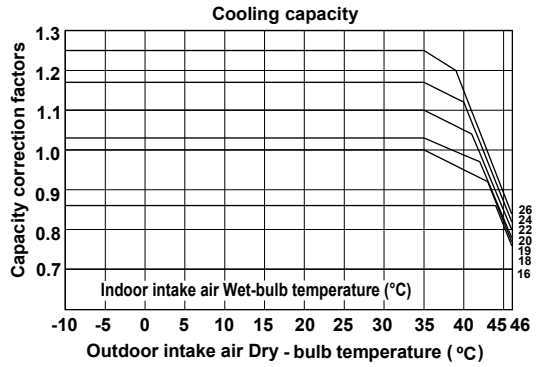
Indoor air Dry-bulb temperature difference (°C)	18.4	20.4	21.2	27.4	25.8	27.9	29.1	33.8	34.4	37.8
	17.1	19.0	19.7	25.4	24.0	25.9	27.0	31.4	31.9	35.1
	15.8	17.6	18.2	23.4	22.2	23.9	24.9	29.0	29.4	32.4
	14.5	16.1	16.7	21.5	20.3	21.9	22.8	26.6	27.0	29.7
	13.2	14.5	15.2	19.5	18.5	19.9	20.7	24.1	24.5	27.0
	11.8	13.0	13.6	17.6	16.6	17.9	18.7	21.7	22.1	24.3
	10.5	11.6	12.1	15.6	14.8	15.9	16.6	19.3	19.6	21.6
	9.2	10.0	10.6	13.7	12.9	13.9	14.5	16.9	17.2	18.9
	7.9	8.6	9.1	11.7	11.1	12.0	12.4	14.5	14.7	16.2
	6.6	7.2	7.6	9.7	9.3	10.1	10.3	12.1	12.2	13.5
	5.3	5.8	6.1	7.7	7.5	8.2	8.2	9.7	9.7	10.8
	<b>15 class</b>	<b>18 class</b>	<b>20 class</b>	<b>22 class</b>	<b>25 class</b>	<b>35 class</b>	<b>42 class</b>	<b>50 class</b>	<b>60 class</b>	<b>71 class</b>



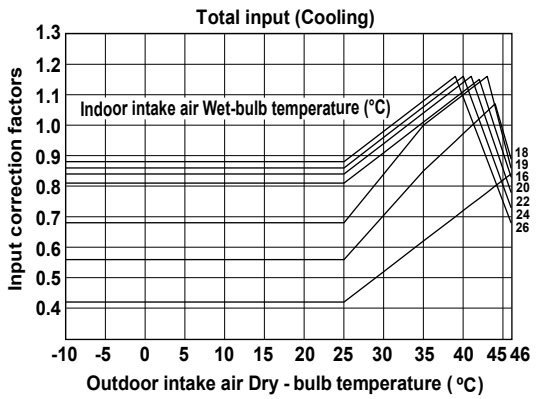


# MXZ-6D122VA

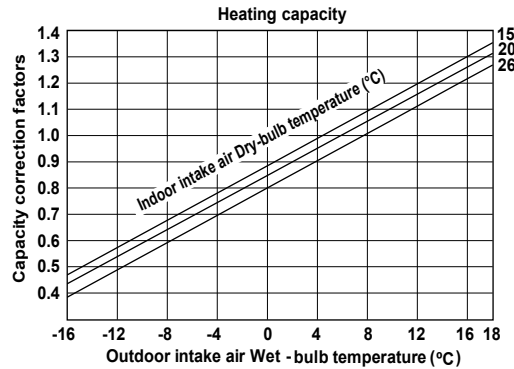
5.4	3.8	6.8	4.8	5.5	8.0	10.2	11.6	8.0	8.2
4.9	3.5	6.2	4.4	5.0	7.3	9.3	10.6	7.3	7.5
4.5	3.2	5.7	4.0	4.6	6.6	8.4	9.5	6.6	6.8
4.0	2.9	5.1	3.6	4.1	6.0	7.5	8.5	6.0	6.1
3.6	2.6	4.5	3.2	3.7	5.3	6.6	7.5	5.3	5.4
3.2	2.3	4.0	2.8	3.2	4.6	5.8	6.6	4.6	4.7
2.8	2.0	3.5	2.5	2.8	4.0	5.0	5.6	4.0	4.1
15 class	18 class	20 class	22 class	25 class	35 class	42 class	50 class	60 class	71 class



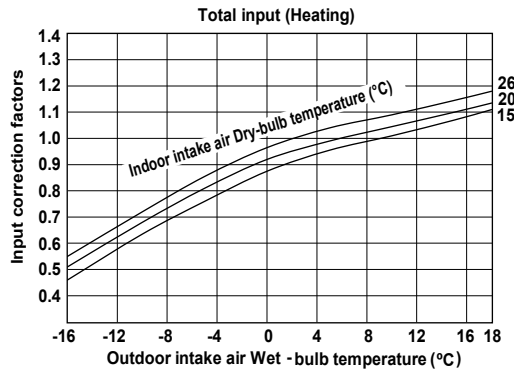
5.4	3.8	6.8	4.8	5.5	8.0	10.2	11.6	8.0	8.2
4.9	3.5	6.2	4.4	5.0	7.3	9.3	10.6	7.3	7.5
4.5	3.2	5.7	4.0	4.6	6.6	8.4	9.5	6.6	6.8
4.0	2.9	5.1	3.6	4.1	6.0	7.5	8.5	6.0	6.1
3.6	2.6	4.5	3.2	3.7	5.3	6.6	7.5	5.3	5.4
3.2	2.3	4.0	2.8	3.2	4.6	5.8	6.6	4.6	4.7
2.8	2.0	3.5	2.5	2.8	4.0	5.0	5.6	4.0	4.1
2.3	1.7	2.9	2.1	2.0	3.4	4.2	4.8	3.4	3.5
1.9	1.4	2.4	1.7	2.0	2.8	3.5	3.9	2.8	2.9
1.5	1.1	1.9	1.4	1.6	2.2	2.7	3.1	2.2	2.3
15 class	18 class	20 class	22 class	25 class	35 class	42 class	50 class	60 class	71 class



18.3	19.7	22.0	19.7	19.7	23.0	31.1	32.1	22.3	28.3
17.0	18.2	20.5	18.2	18.2	21.4	28.9	29.8	20.7	26.3
15.7	16.8	18.9	16.8	16.8	19.7	26.6	27.5	19.1	24.3
14.4	15.4	17.3	15.4	15.4	18.1	24.4	25.2	17.5	22.3
12.9	13.9	15.6	13.9	13.9	16.3	21.9	22.7	15.7	20.0
11.6	12.5	14.0	12.5	12.5	14.6	19.7	20.4	14.2	18.0
10.3	11.1	12.4	11.1	11.1	13.0	17.6	18.1	12.6	16.0
9.0	9.7	10.9	9.7	9.7	11.4	15.4	15.9	11.0	14.0
7.7	8.2	9.2	8.2	8.2	9.6	13.0	13.4	9.3	11.9
6.4	6.9	7.7	6.9	6.9	8.0	10.8	11.2	7.8	9.9
5.1	5.5	6.1	5.5	5.5	6.4	8.7	9.0	6.2	7.9
15 class	18 class	20 class	22 class	25 class	35 class	42 class	50 class	60 class	71 class

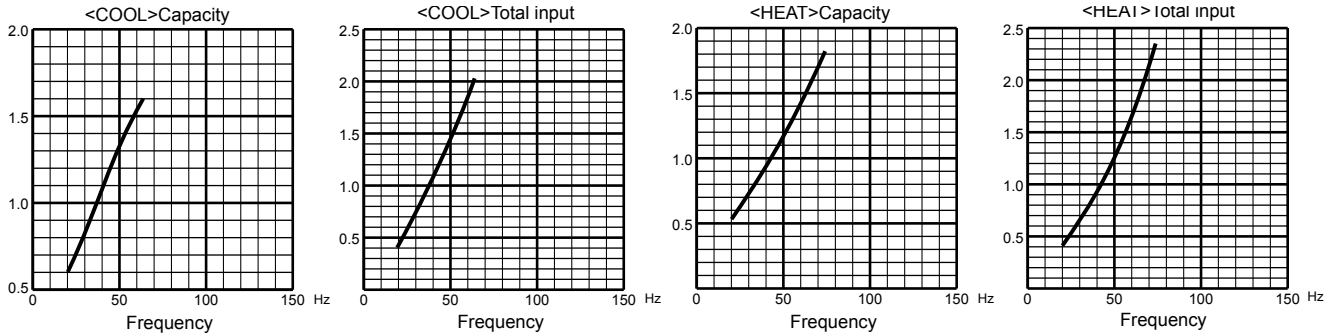


18.3	19.7	22.0	19.7	19.7	23.0	31.1	32.1	22.3	28.3
17.0	18.2	20.5	18.2	18.2	21.4	28.9	29.8	20.7	26.3
15.7	16.8	18.9	16.8	16.8	19.7	26.6	27.5	19.1	24.3
14.4	15.4	17.3	15.4	15.4	18.1	24.4	25.2	17.5	22.3
12.9	13.9	15.6	13.9	13.9	16.3	21.9	22.7	15.7	20.0
11.6	12.5	14.0	12.5	12.5	14.6	19.7	20.4	14.2	18.0
10.3	11.1	12.4	11.1	11.1	13.0	17.6	18.1	12.6	16.0
9.0	9.7	10.9	9.7	9.7	11.4	15.4	15.9	11.0	14.0
7.7	8.2	9.2	8.2	8.2	9.6	13.0	13.4	9.3	11.9
6.4	6.9	7.7	6.9	6.9	8.0	10.8	11.2	7.8	9.9
5.1	5.5	6.1	5.5	5.5	6.4	8.7	9.0	6.2	7.9
15 class	18 class	20 class	22 class	25 class	35 class	42 class	50 class	60 class	71 class

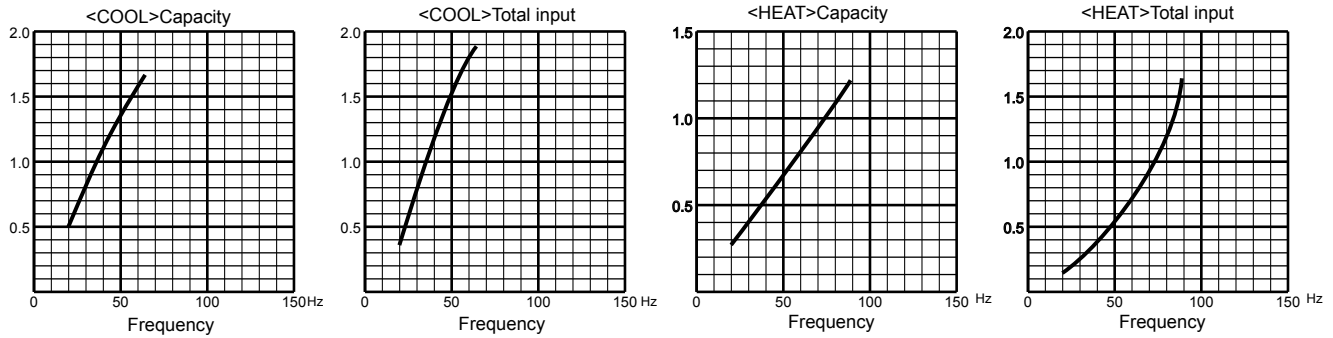


## 8-2. CAPACITY AND INPUT CORRECTION BY INVERTER OUTPUT FREQUENCY (single operation) MXZ-2D33VA

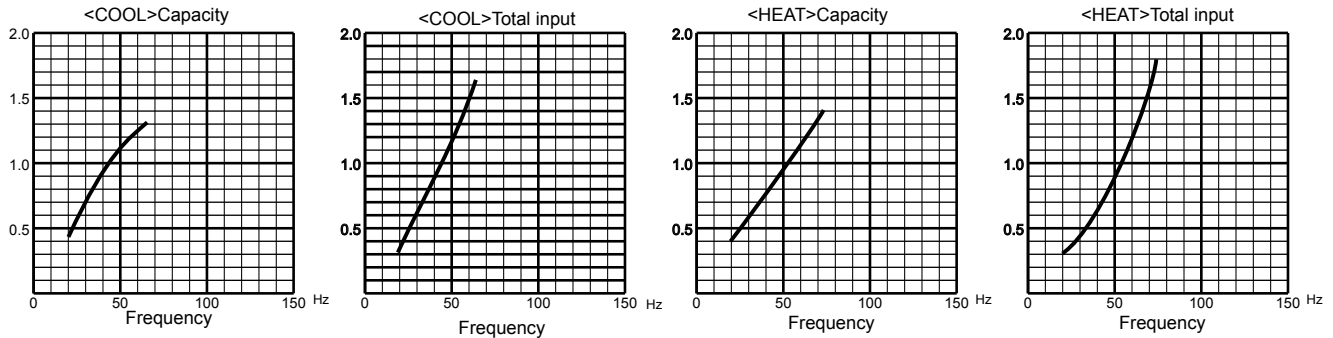
### 15-class unit



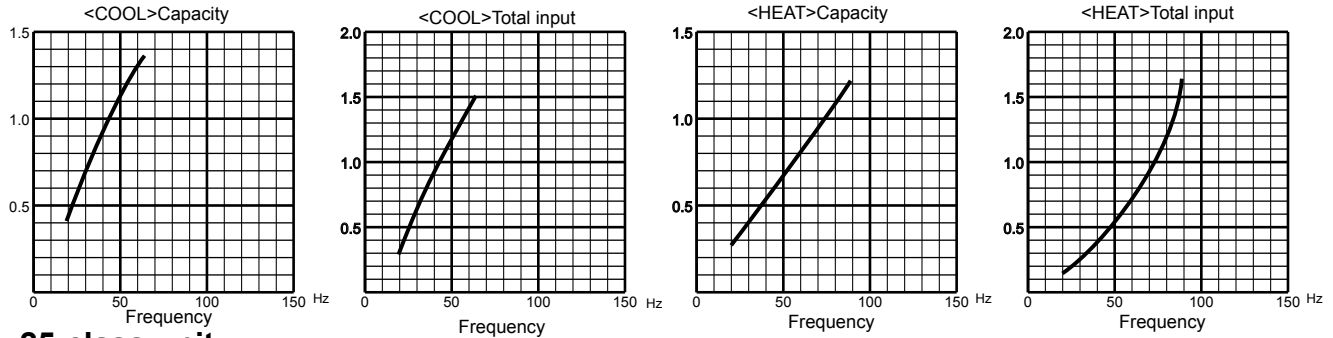
### 18-class unit



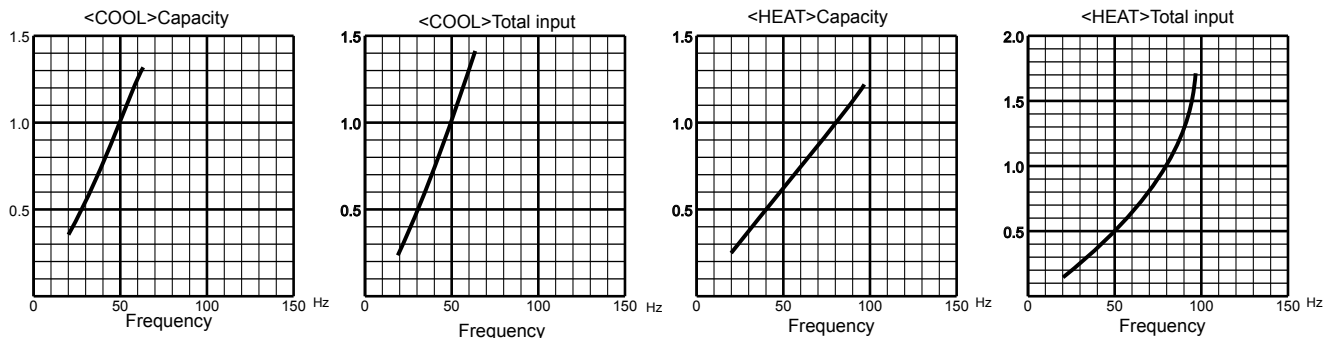
### 20-class unit



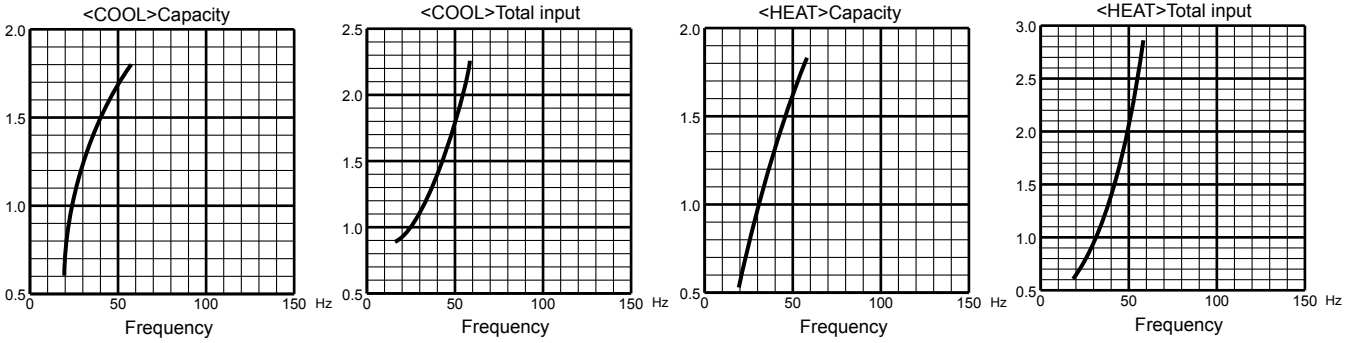
### 22-class unit



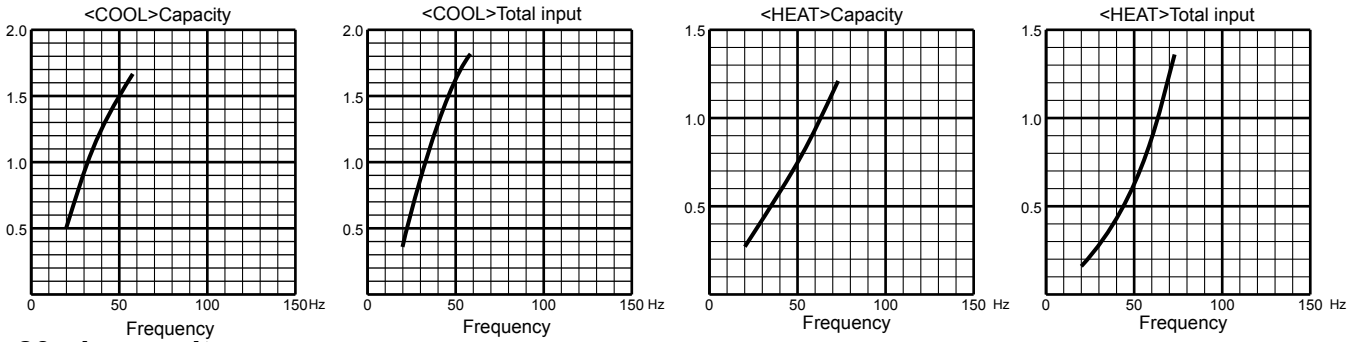
### 25-class unit



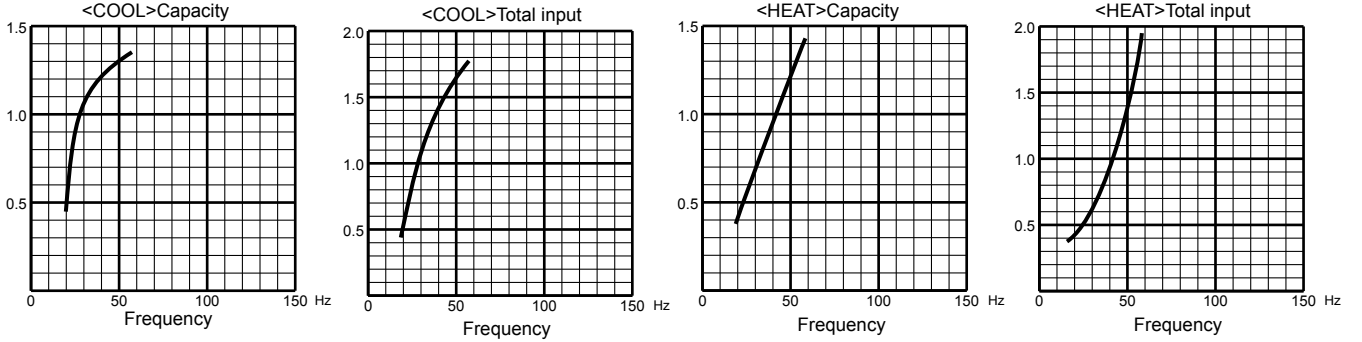
**MXZ-2D40VA**  
**15-class unit**



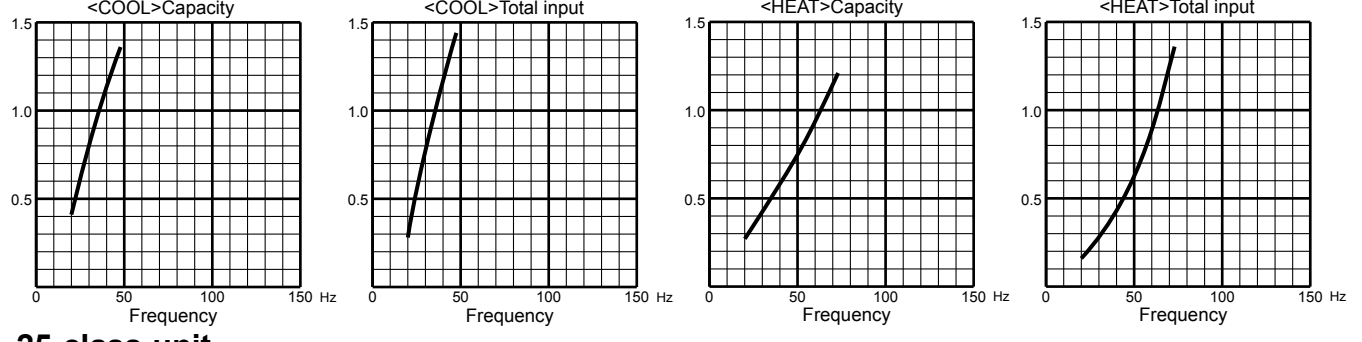
**18-class unit**



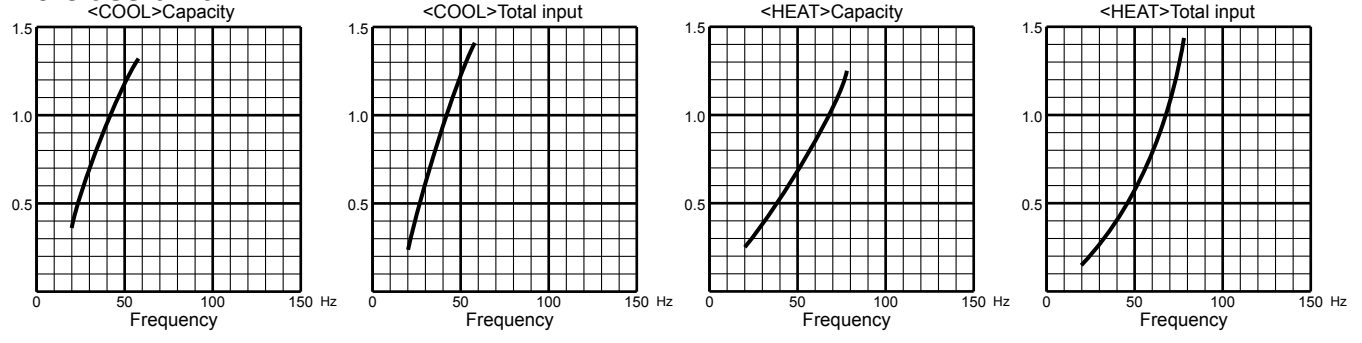
**20-class unit**



**22-class unit**

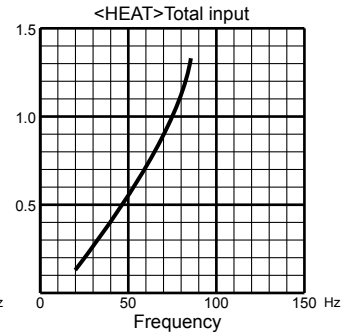
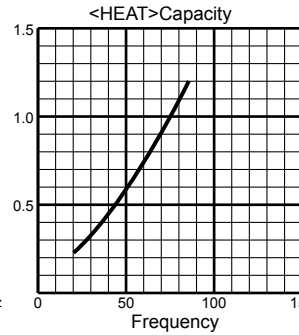
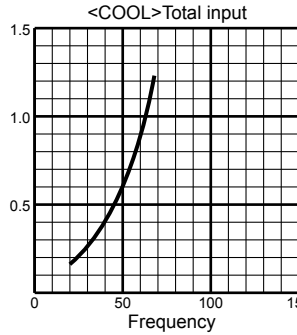
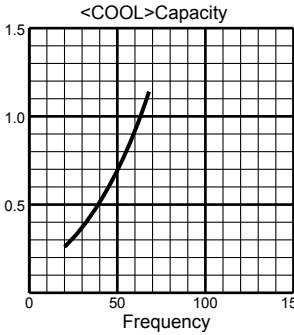


**25-class unit**



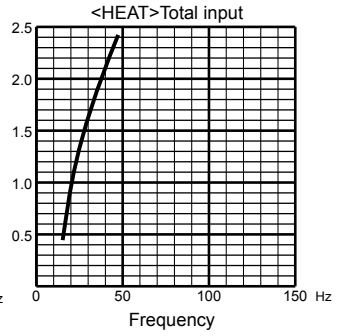
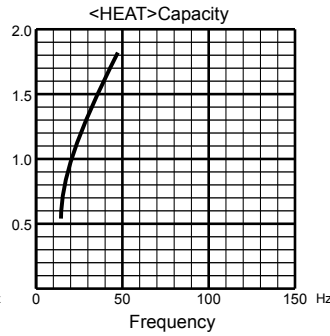
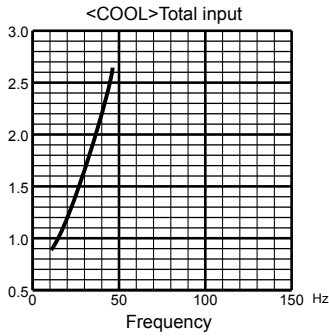
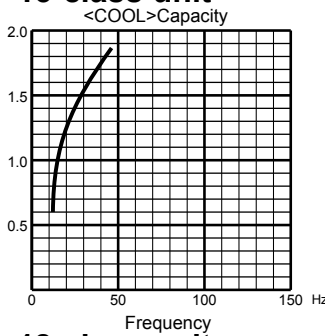
## MXZ-2D40VA

### 35-class unit

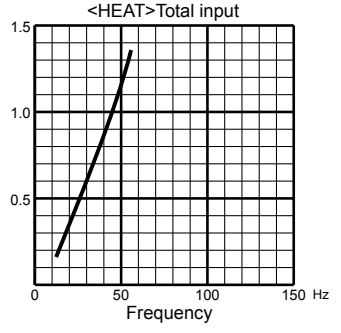
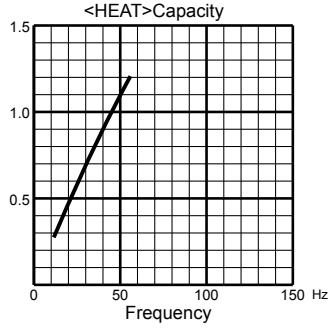
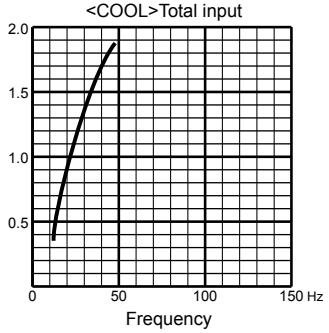
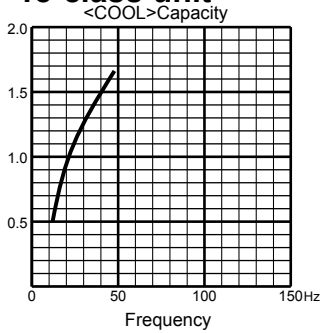


## MXZ-2D42VA MXZ-2D42VA2 MXZ-2D53VA MXZ-2D53VA2 MXZ-2D53VAH MXZ-2D53VAH2

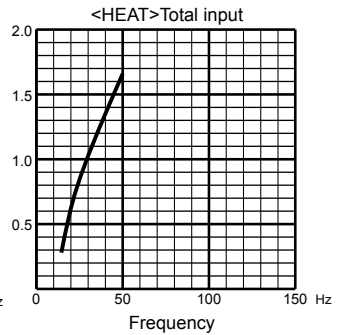
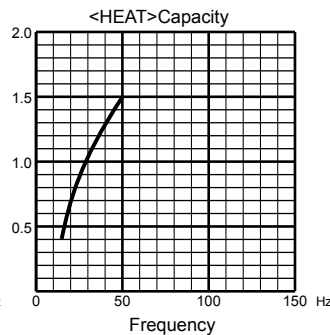
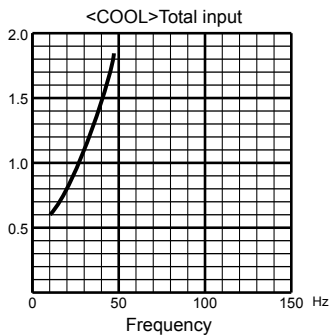
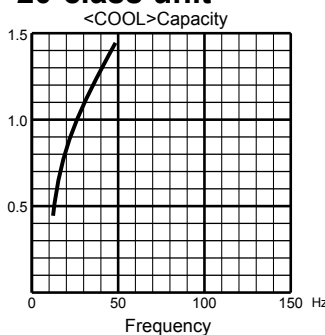
### 15-class unit



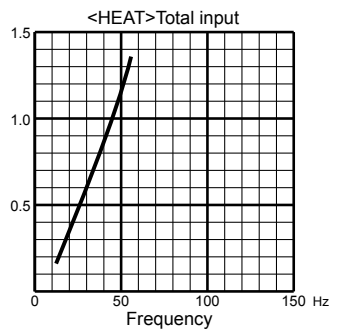
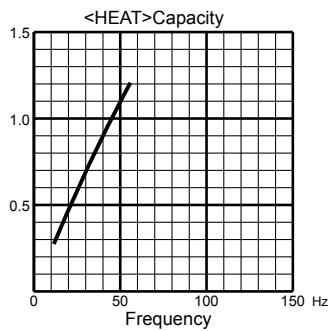
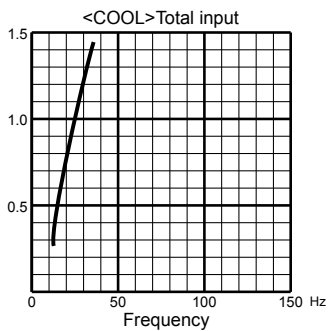
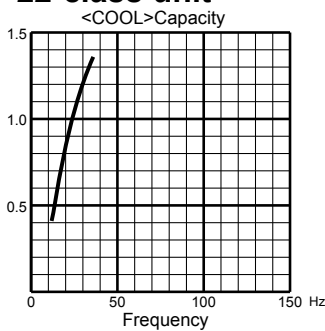
### 18-class unit

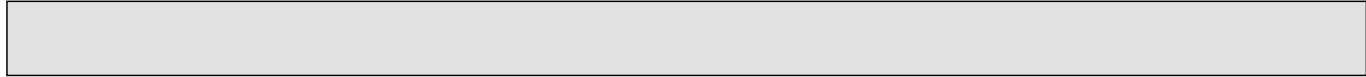


### 20-class unit



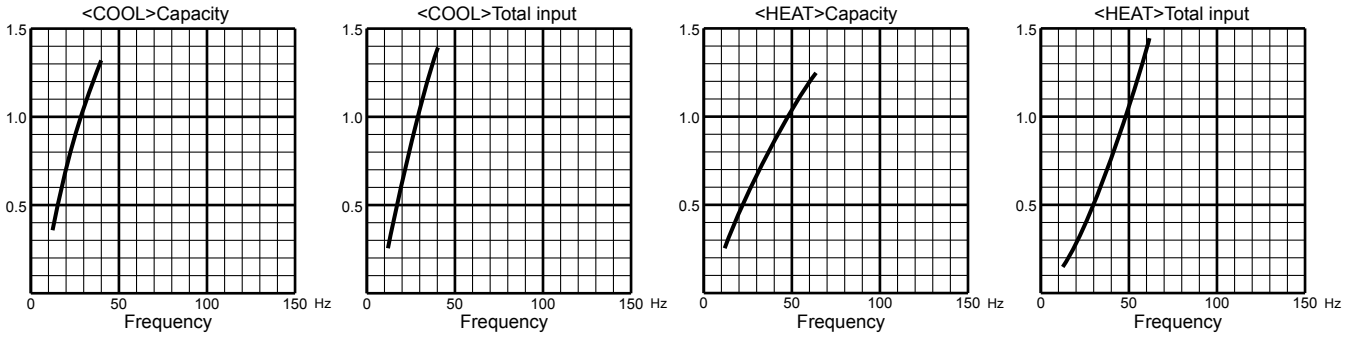
### 22-class unit



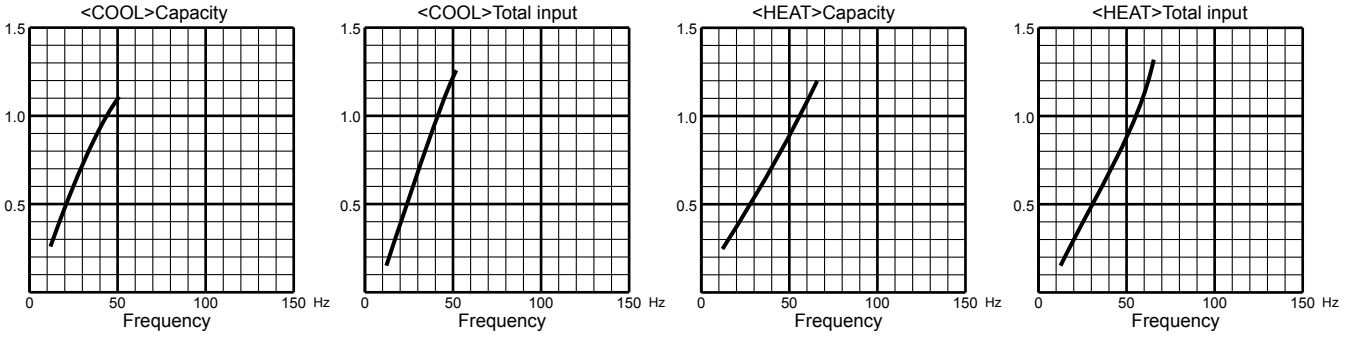


**MXZ-2D42VA MXZ-2D42VA2 MXZ-2D53VA MXZ-2D53VA2 MXZ-2D53VAH MXZ-2D53VAH2**

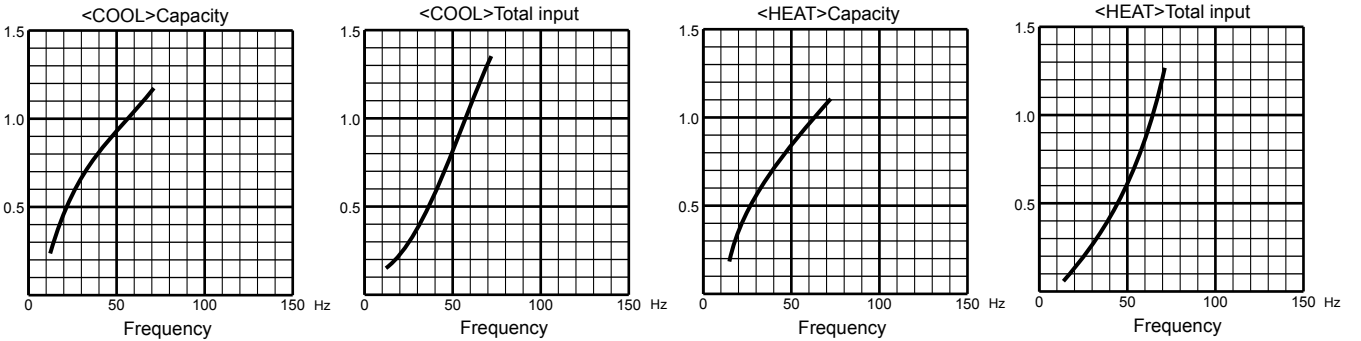
**25-class unit**



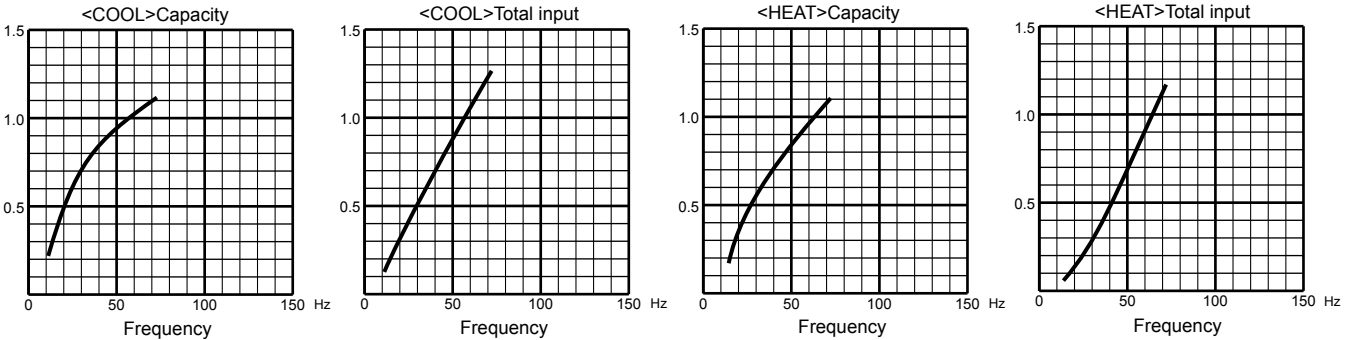
**35-class unit**



**42-class unit**

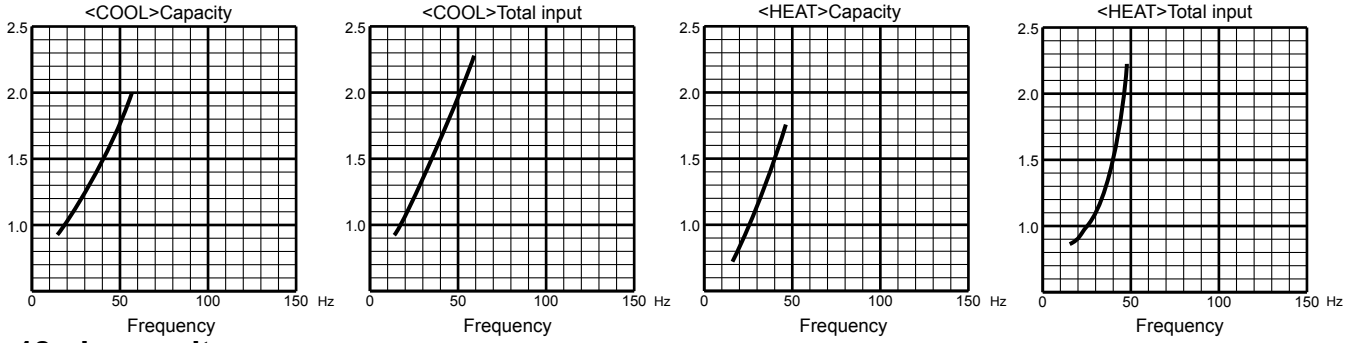


**50-class unit**

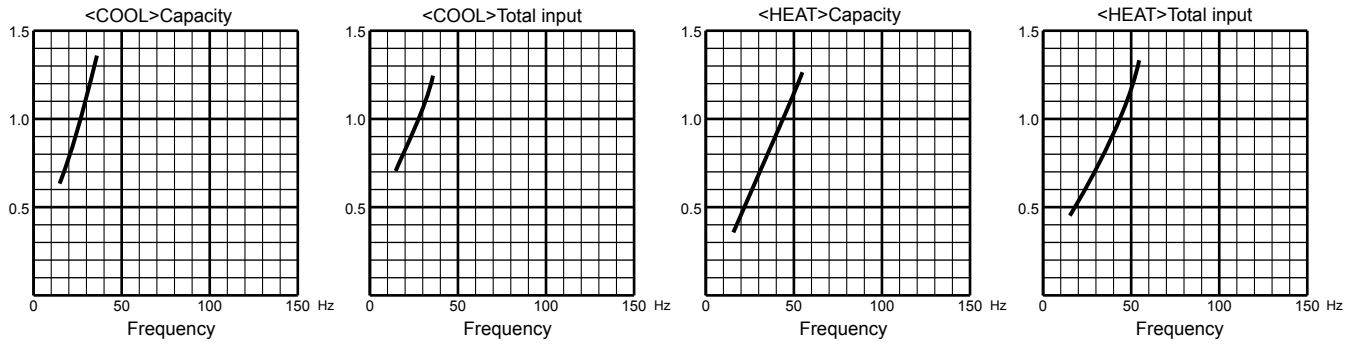


# MXZ-3D54VA MXZ-3D54VA2

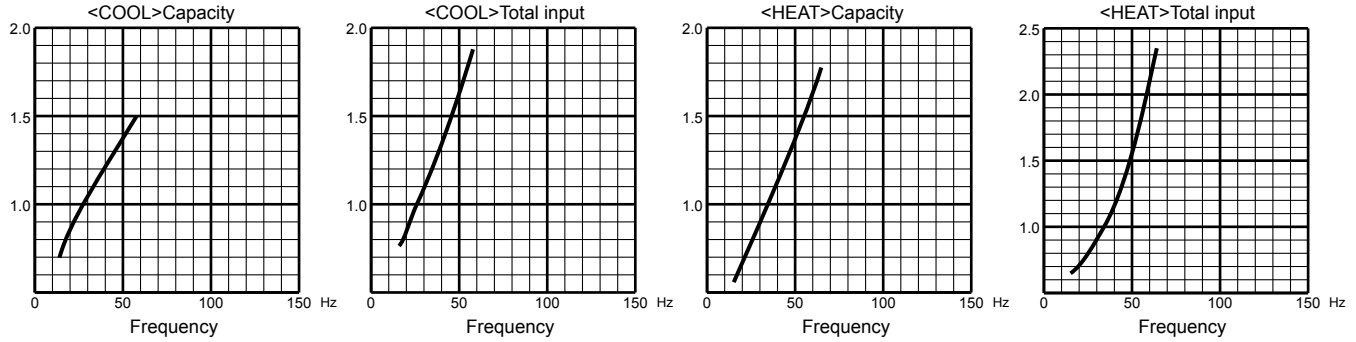
## 15-class unit



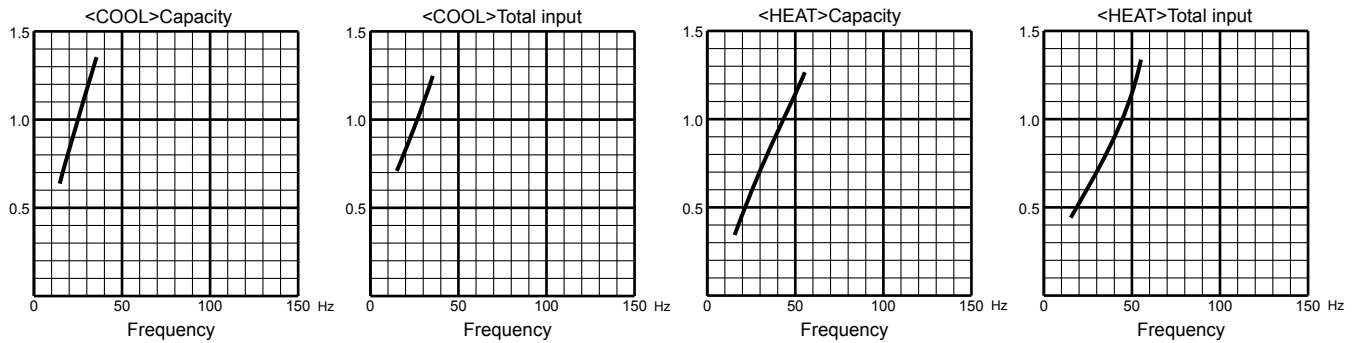
## 18-class unit



## 20-class unit



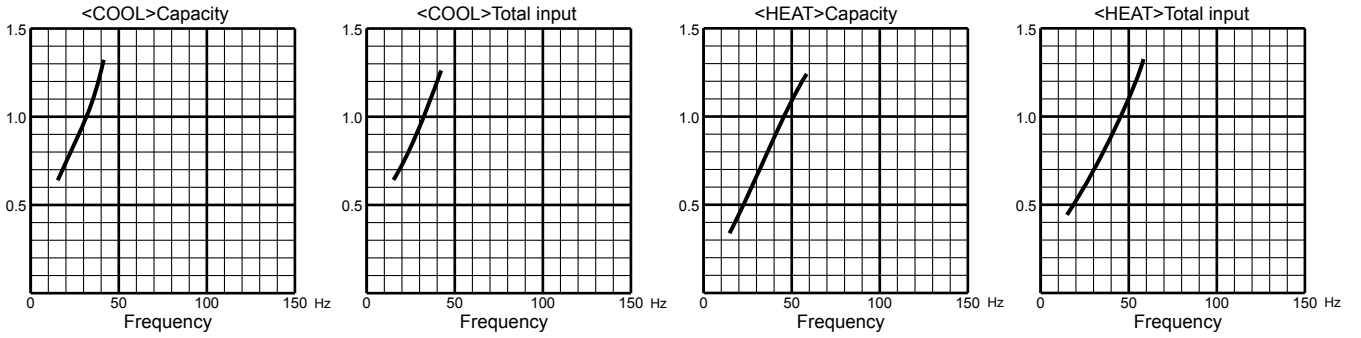
## 22-class unit



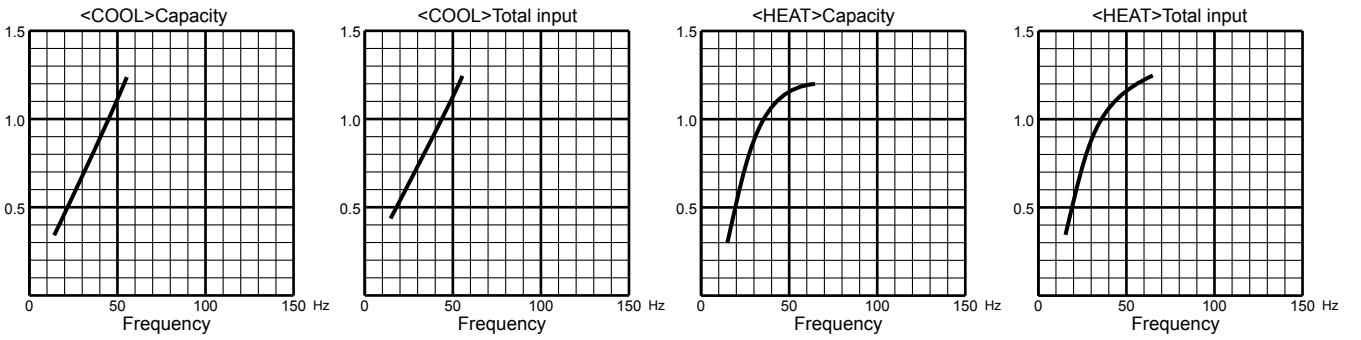


# MXZ-3D54VA MXZ-3D54VA2

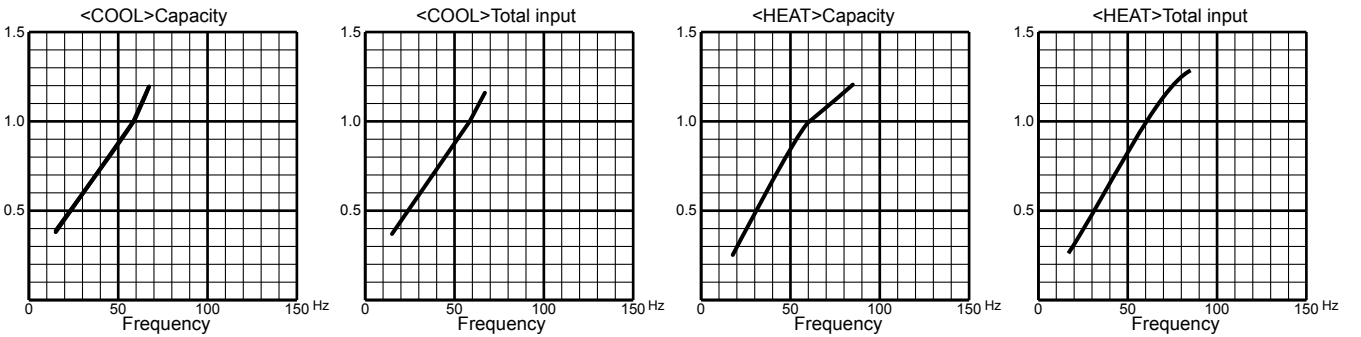
## 25-class unit



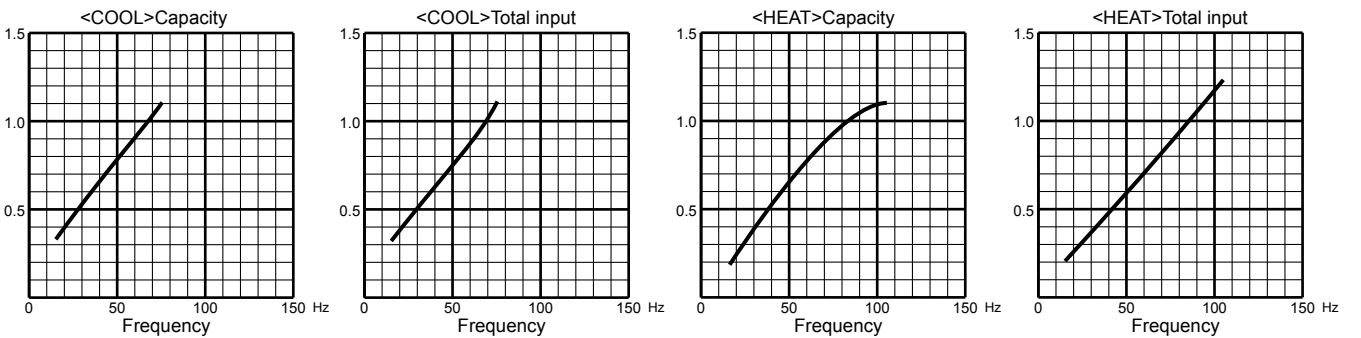
## 35-class unit



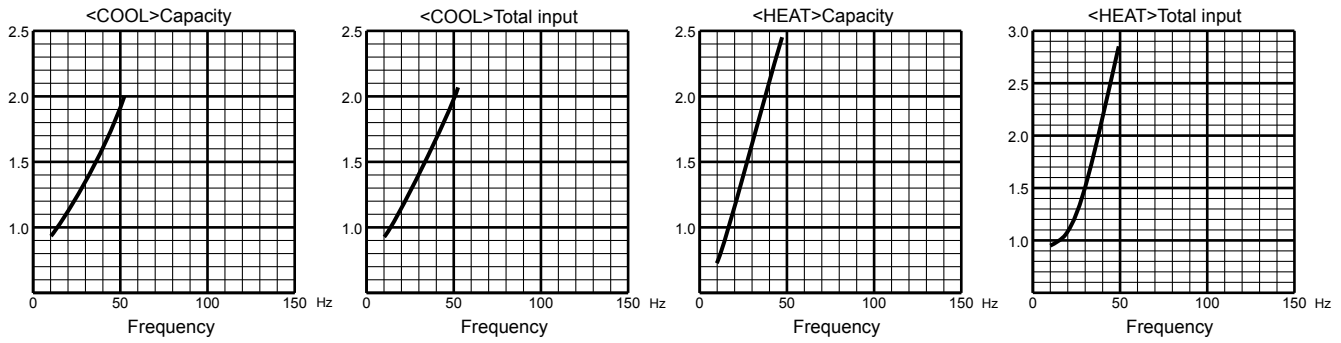
## 42-class unit



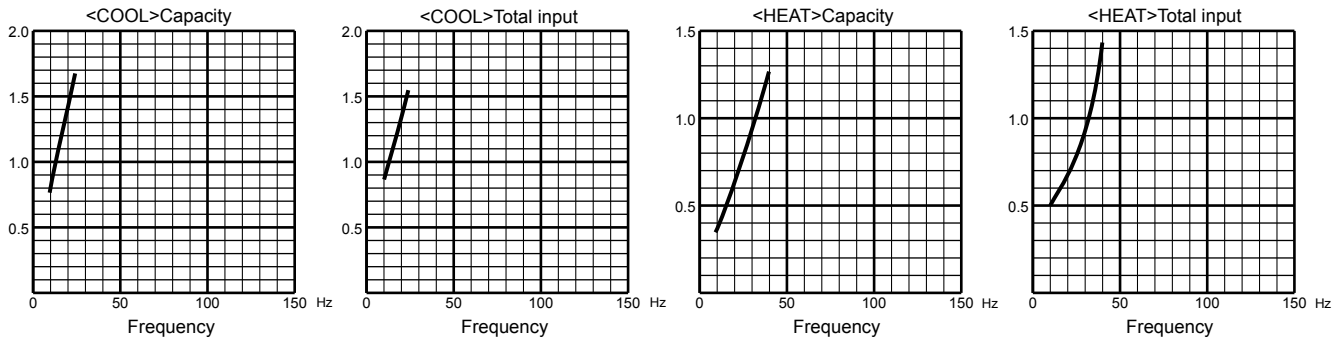
## 50-class unit



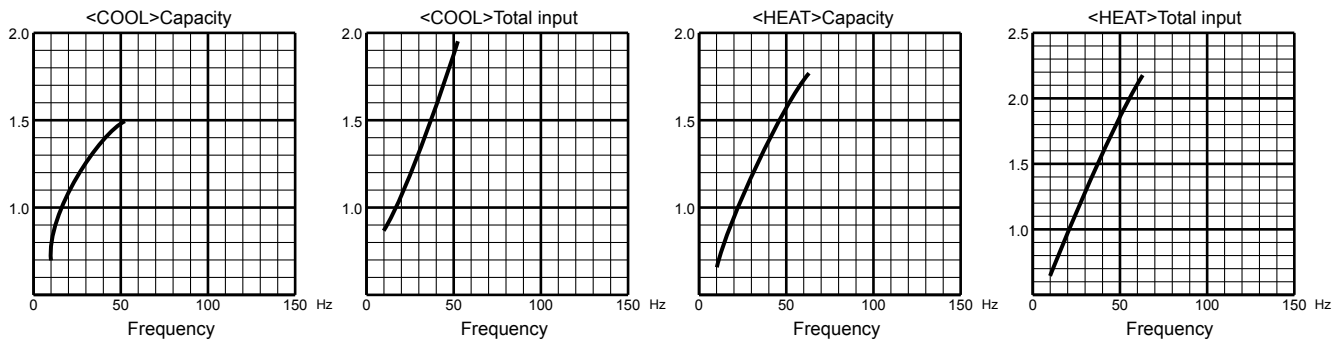
**MXZ-3D68VA**  
**15-class unit**



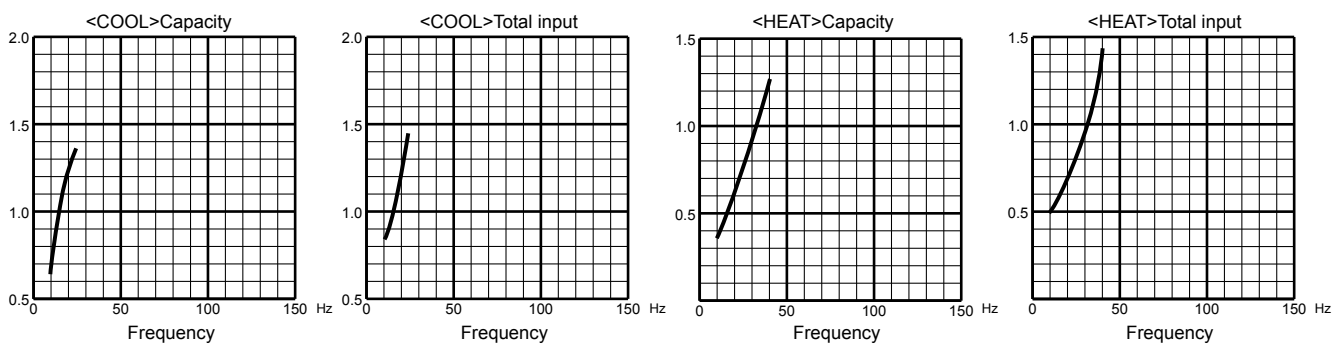
**18-class unit**



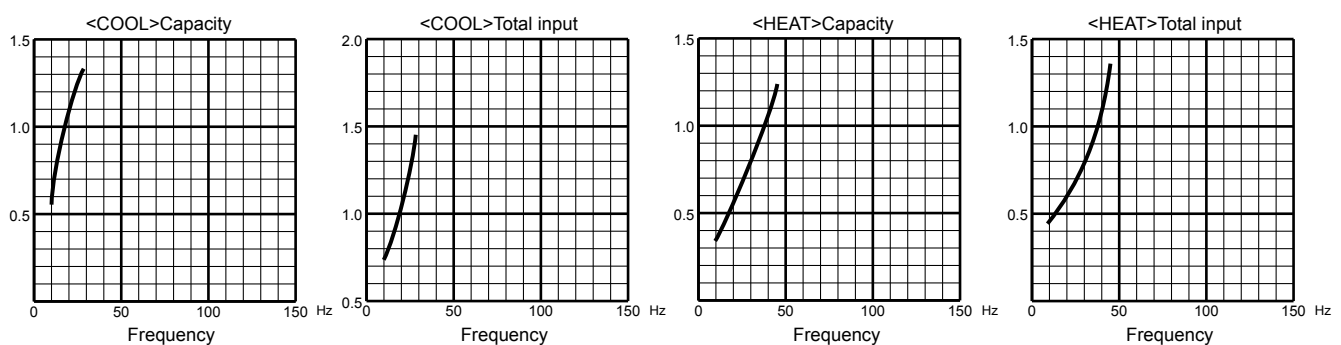
**20-class unit**



**22-class unit**

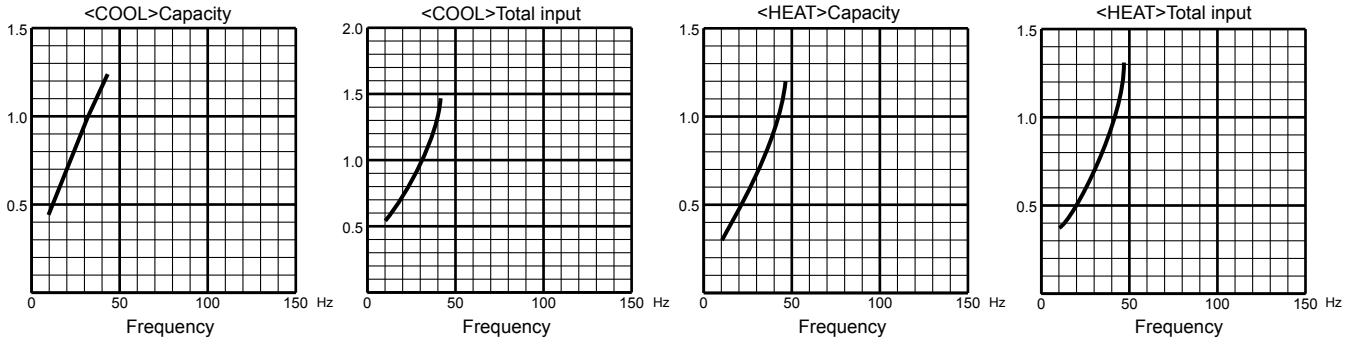


**25-class unit**

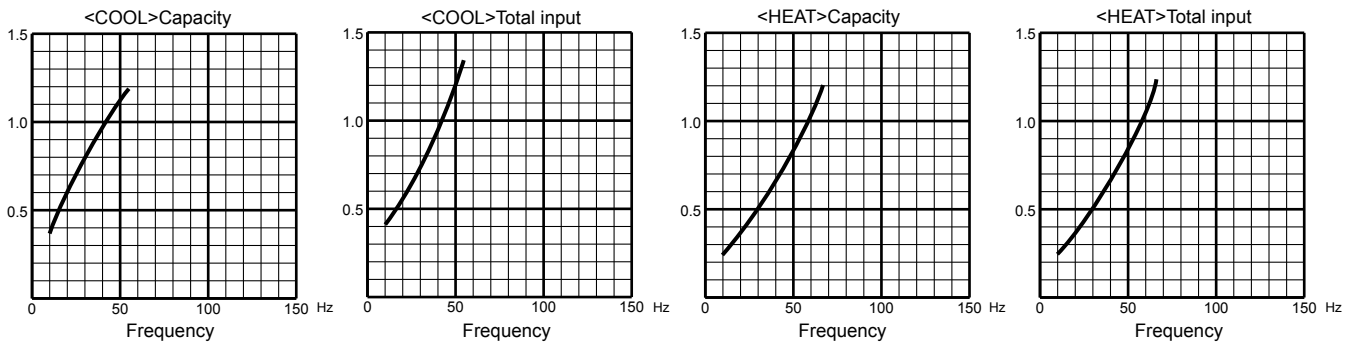




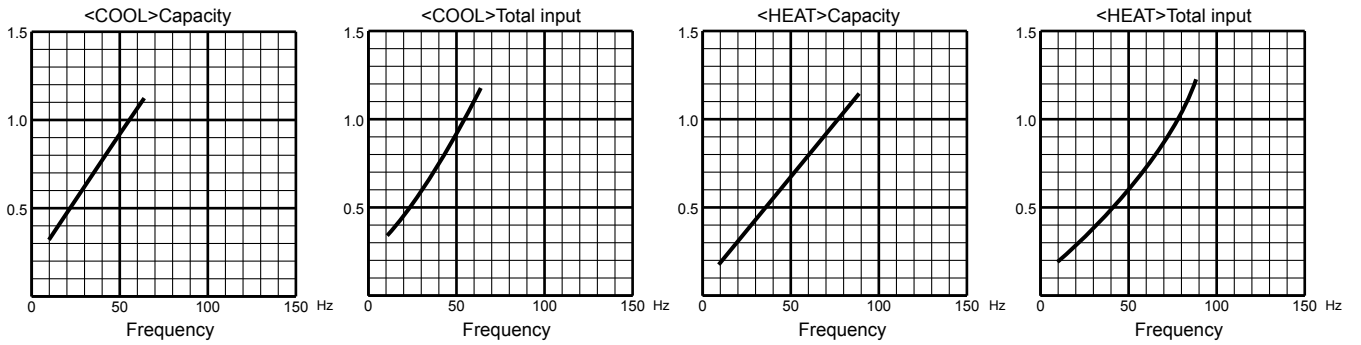
**MXZ-3D68VA**  
**35-class unit**



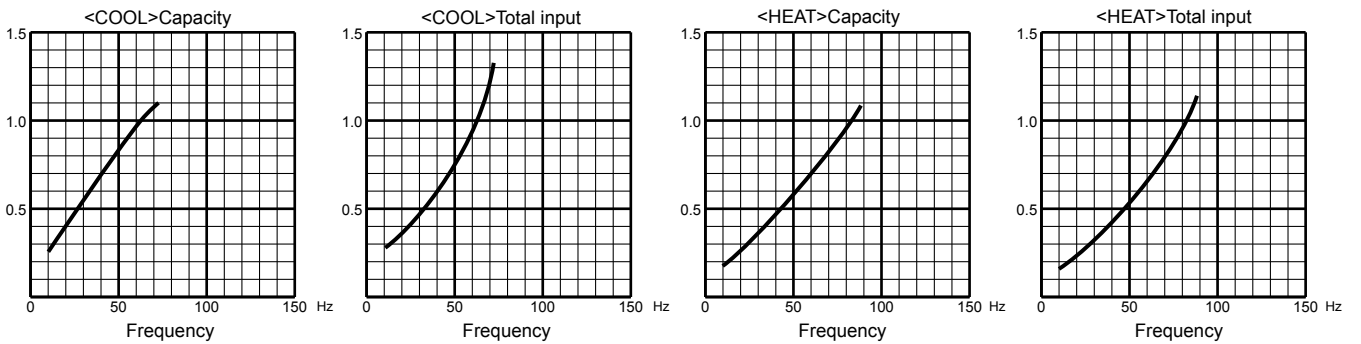
**42-class unit**



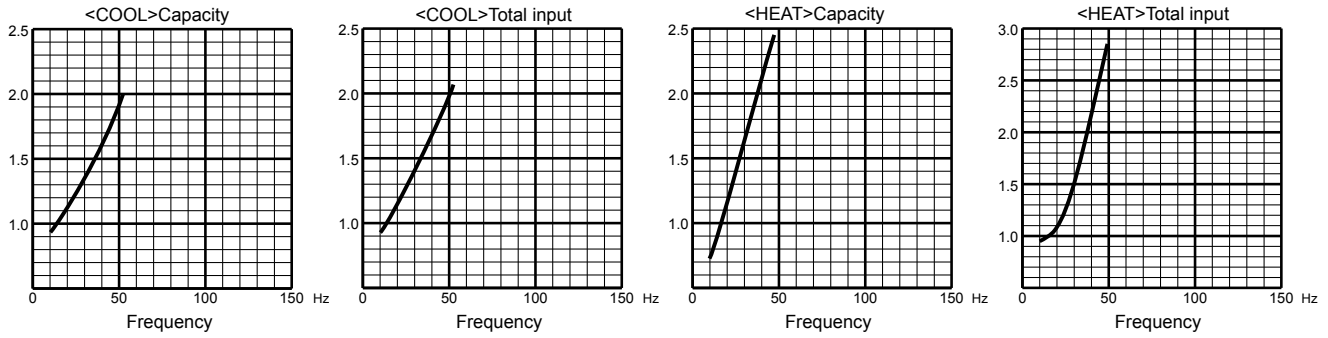
**50-class unit**



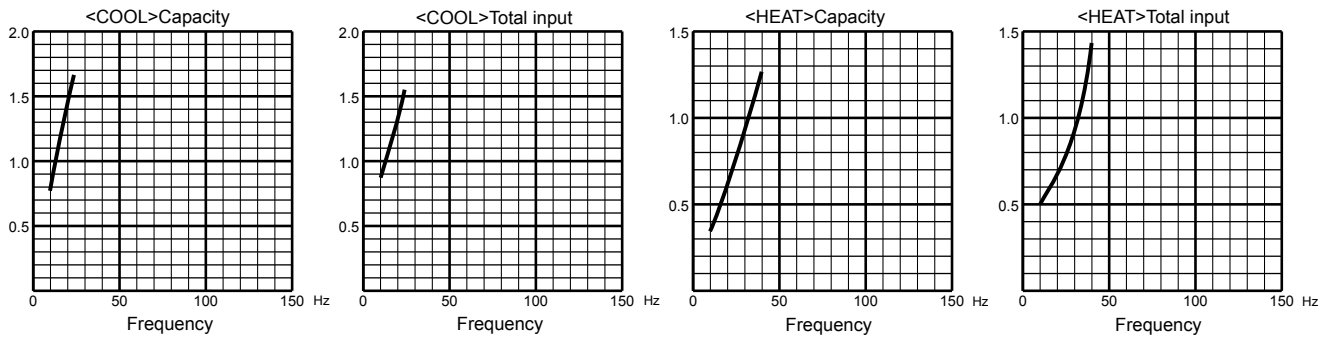
**60-class unit**



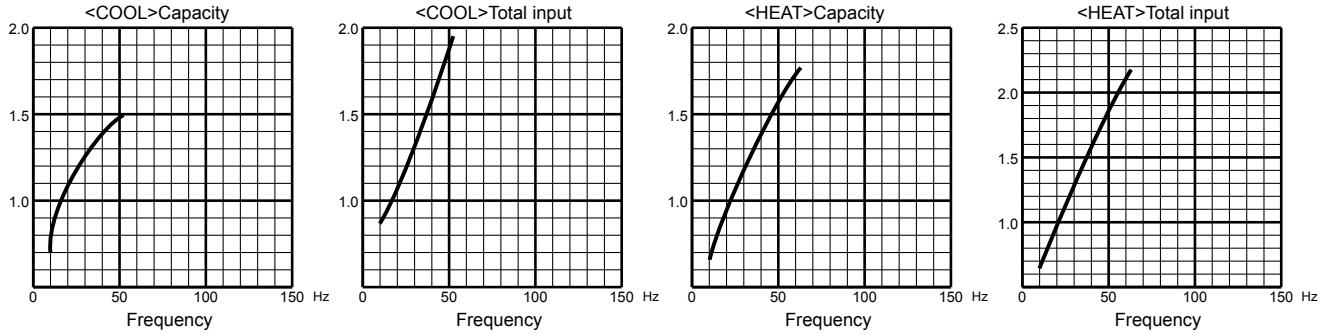
**MXZ-4D72VA**  
**15-class unit**



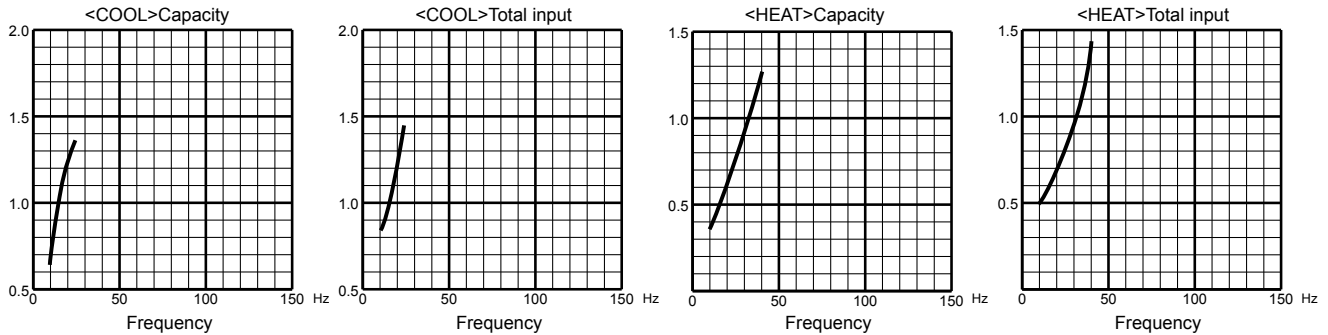
**18-class unit**



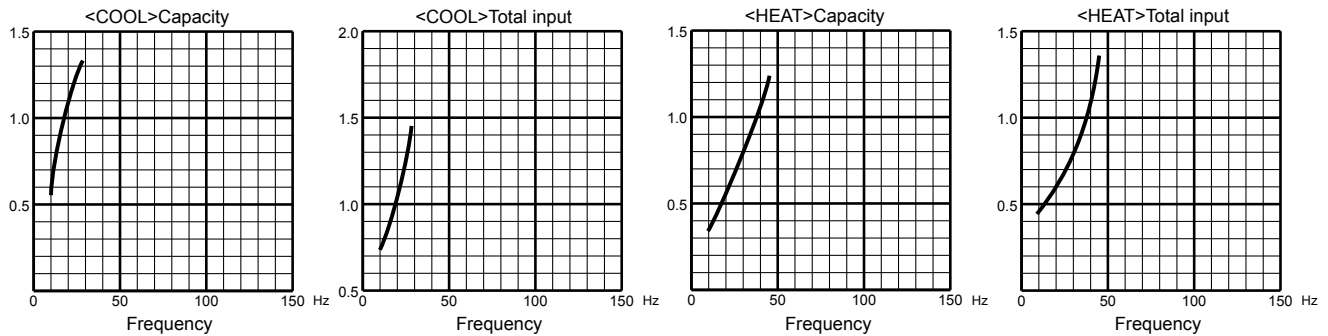
**20-class unit**



**22-class unit**



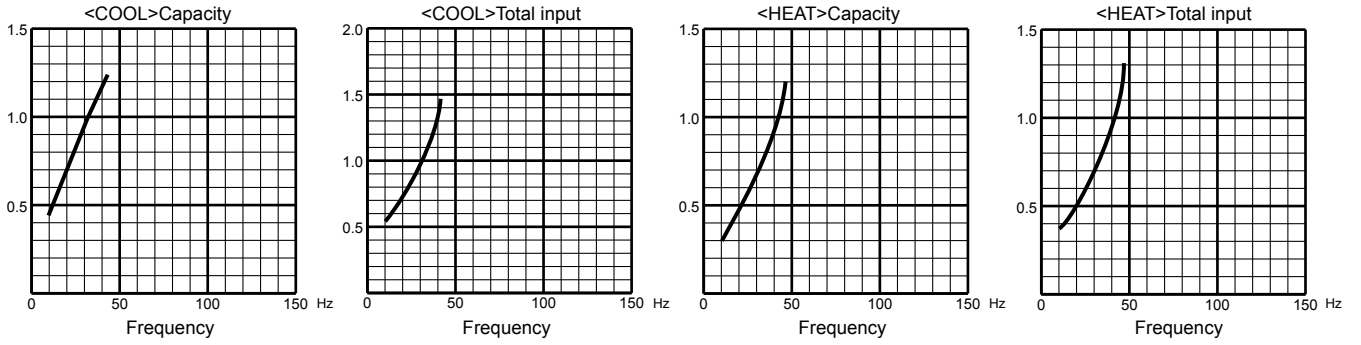
**25-class unit**



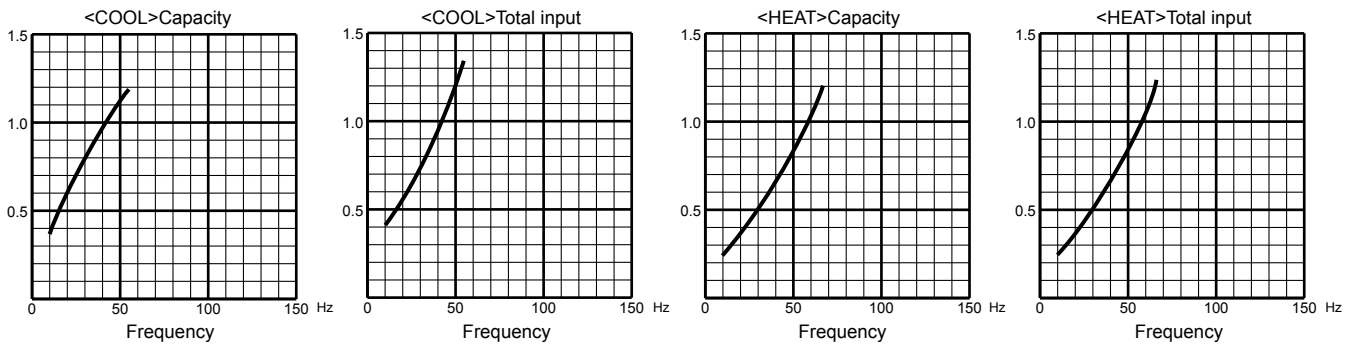


# MXZ-4D72VA

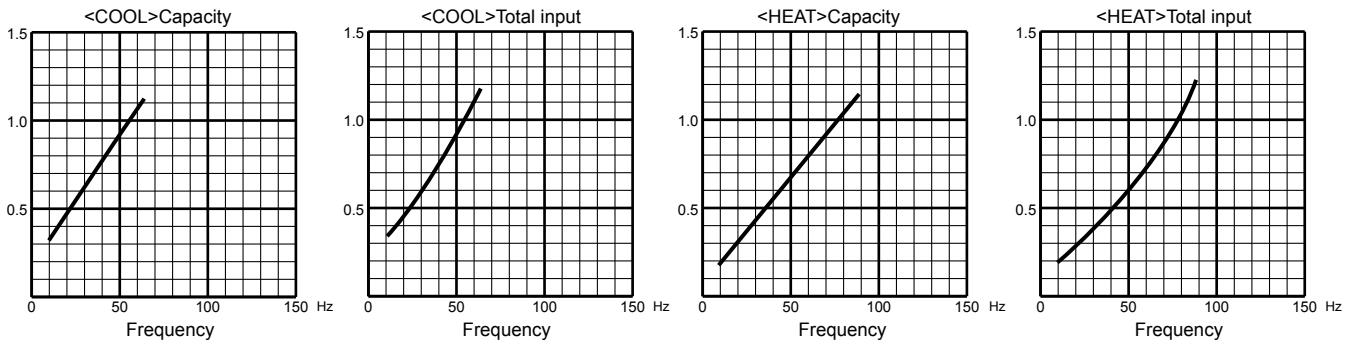
## 35-class unit



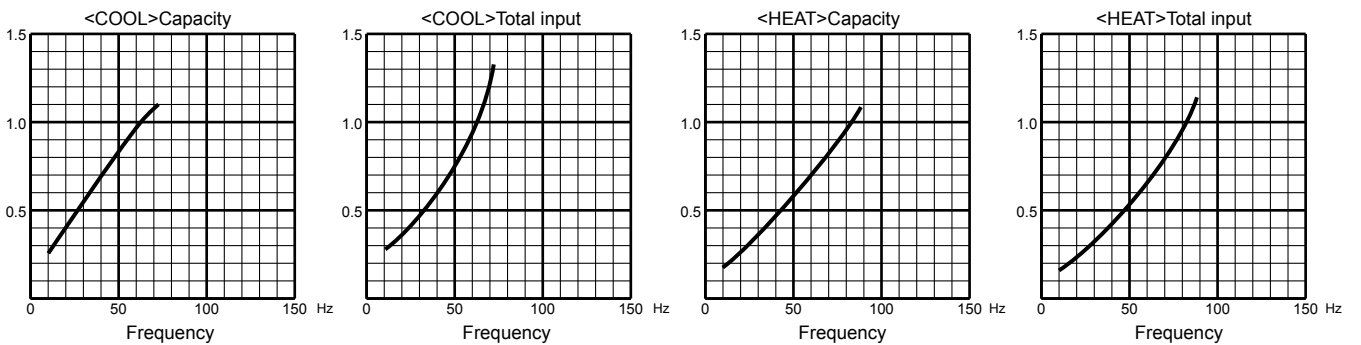
## 42-class unit



## 50-class unit

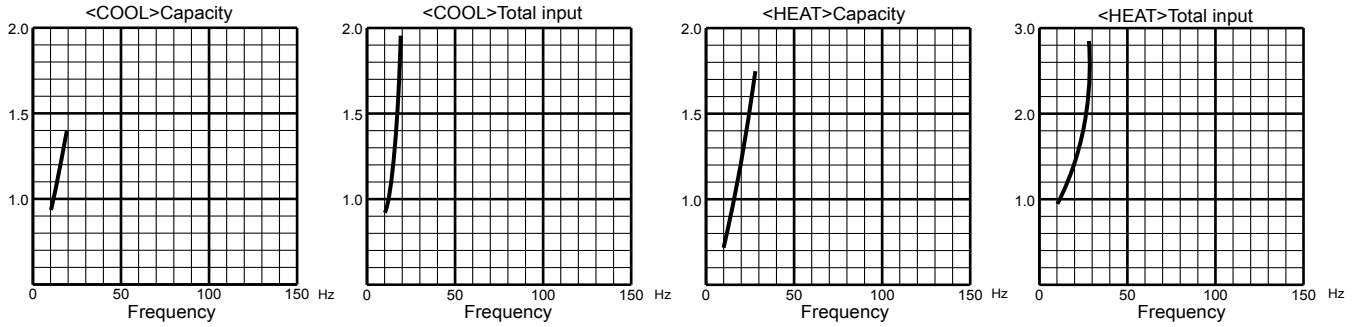


## 60-class unit

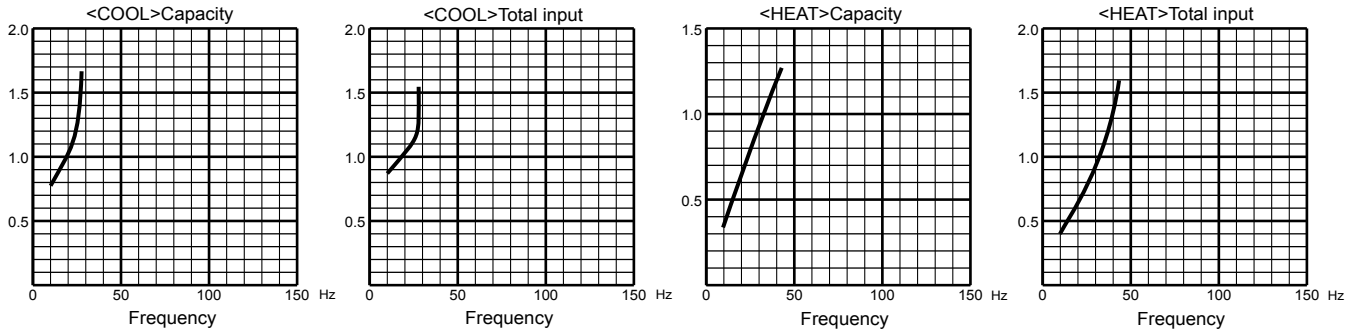


# MXZ-4D83VA

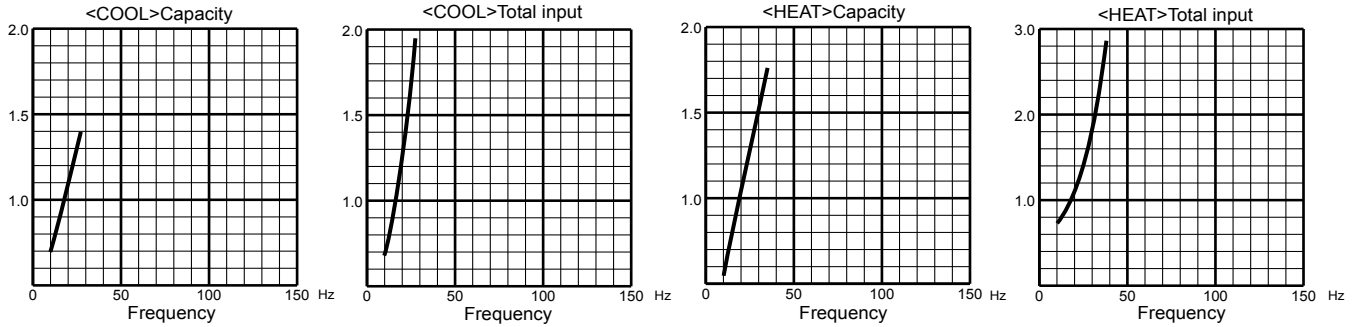
## 15-class unit



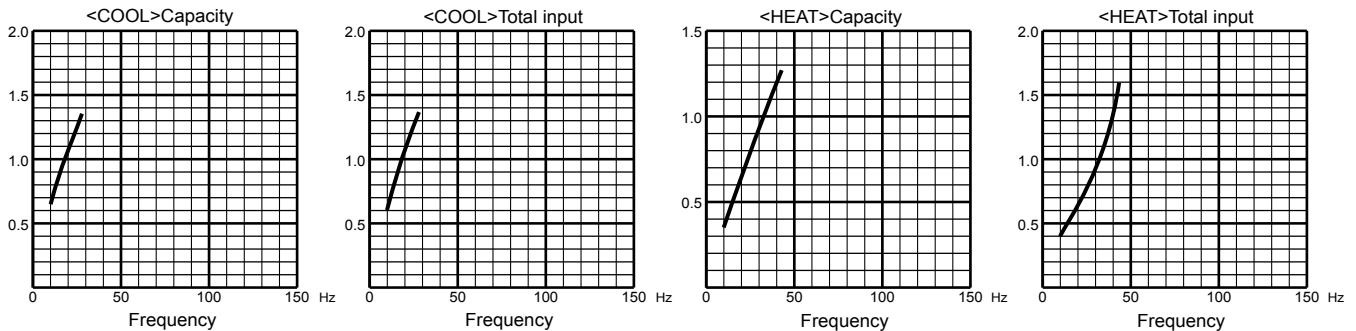
## 18-class unit



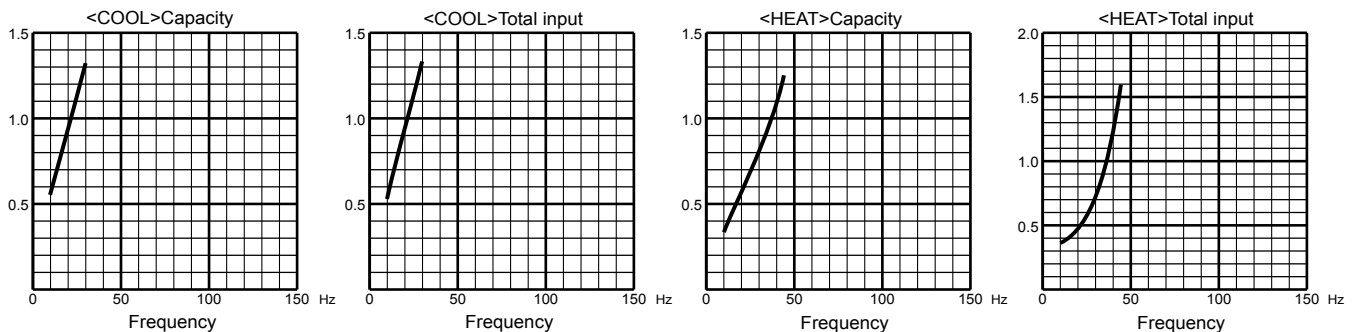
## 20-class unit

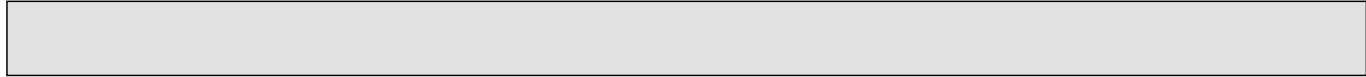


## 22-class unit



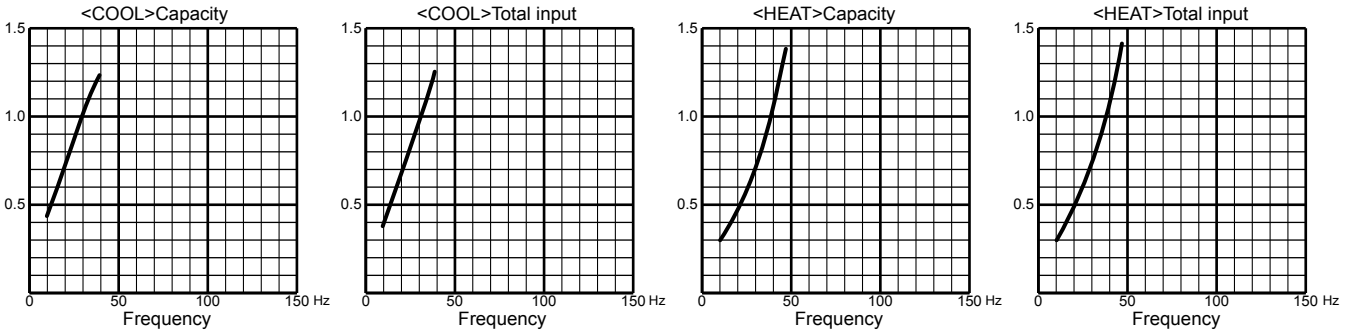
## 25-class unit



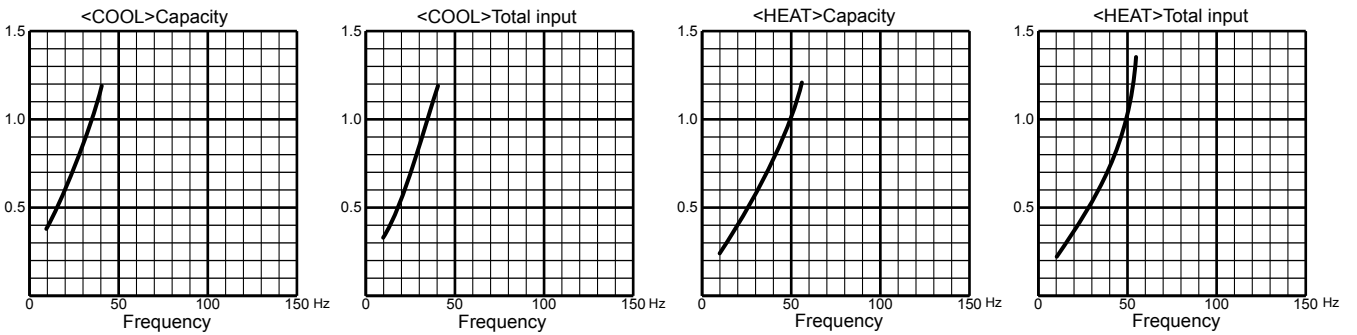


# MXZ-4D83VA

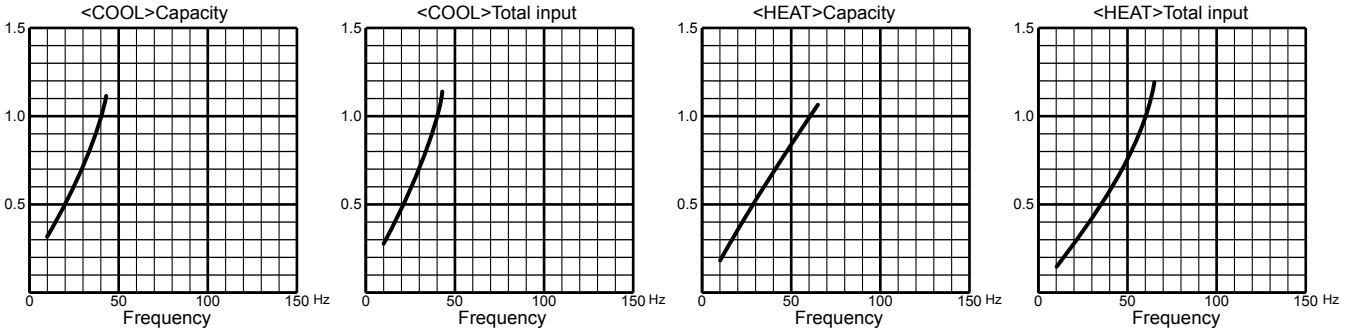
## 35-class unit



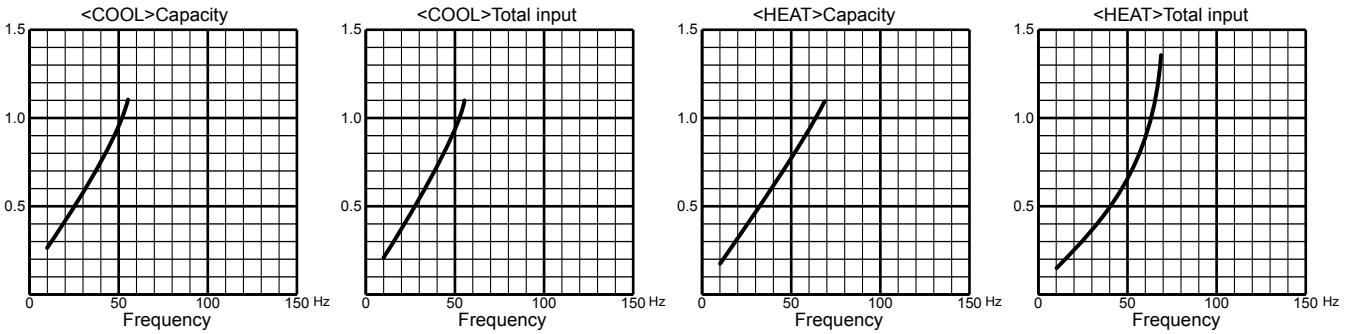
## 42-class unit



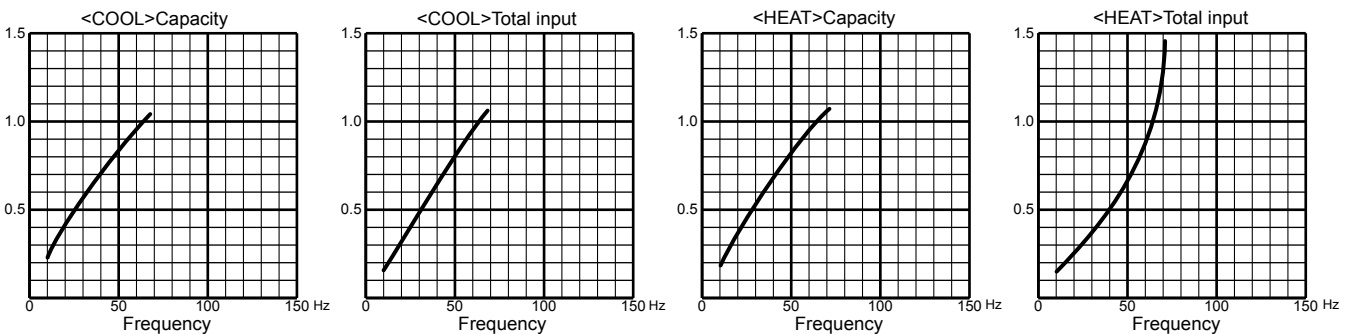
## 50-class unit



## 60-class unit

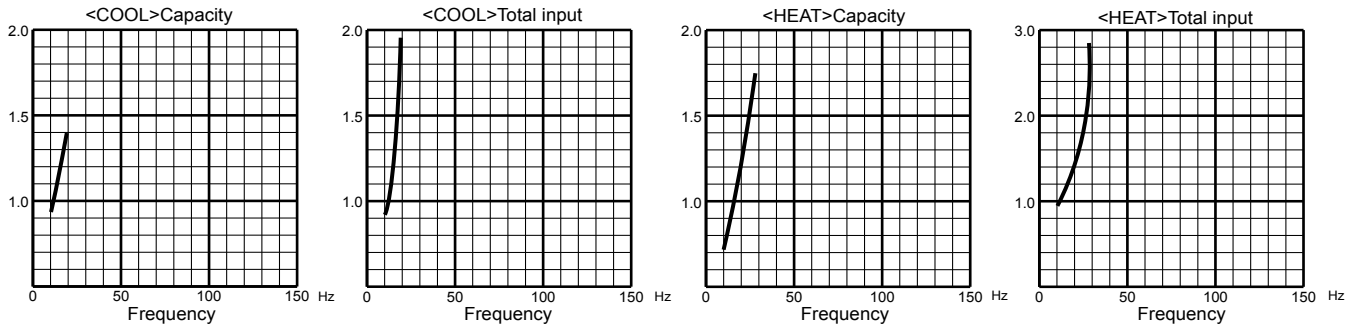


## 71-class unit

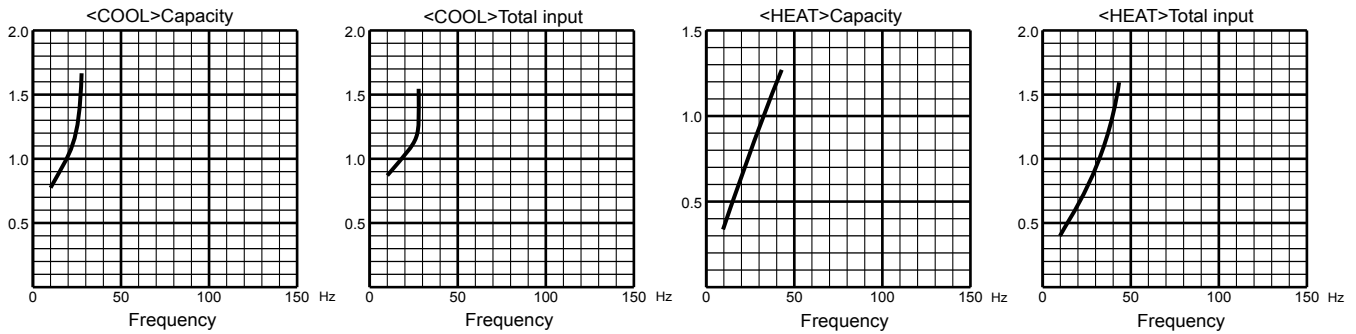


# MXZ-5D102VA

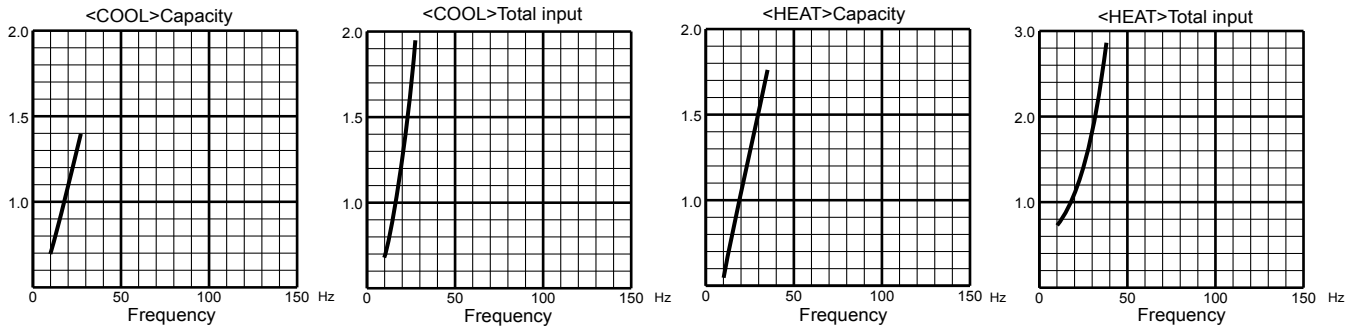
## 15-class unit



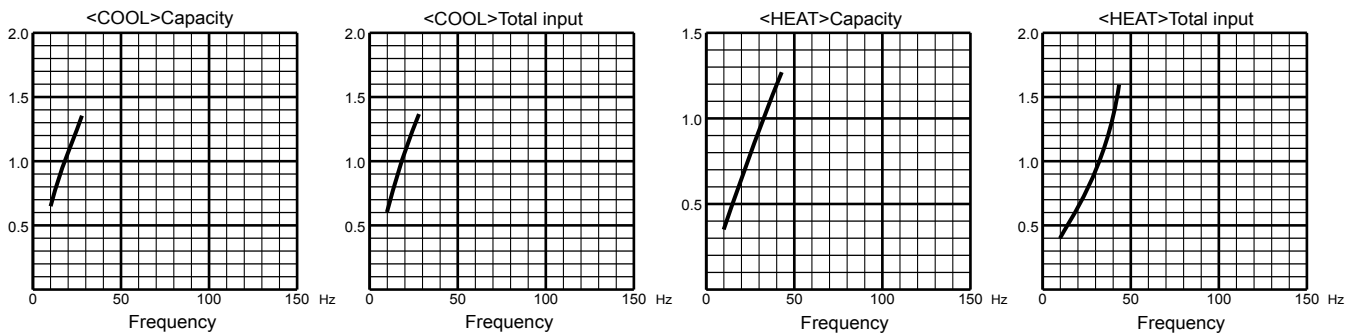
## 18-class unit



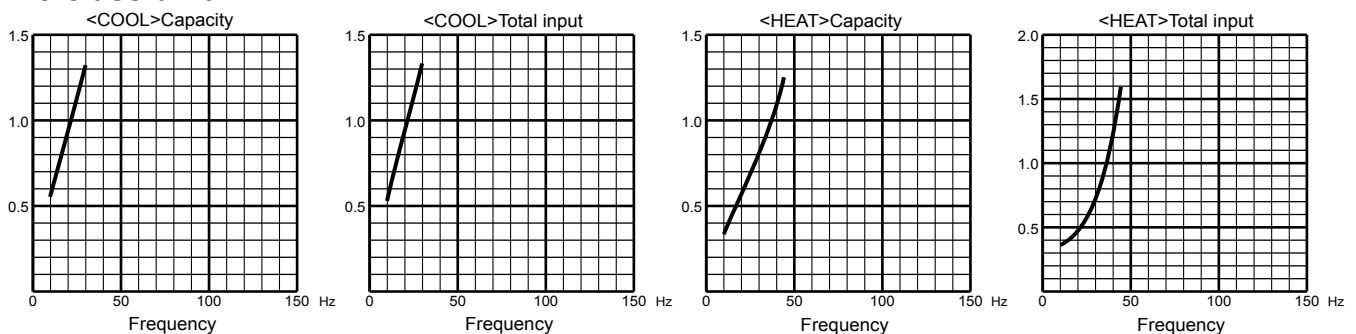
## 20-class unit



## 22-class unit

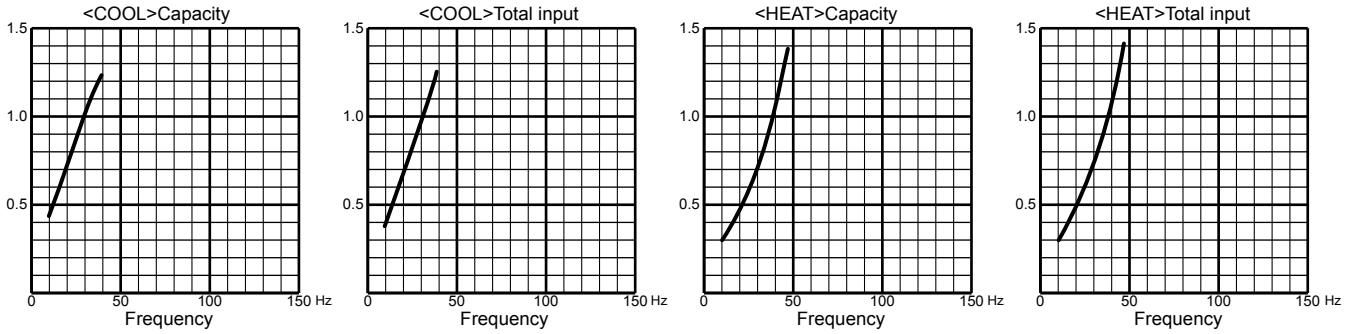


## 25-class unit

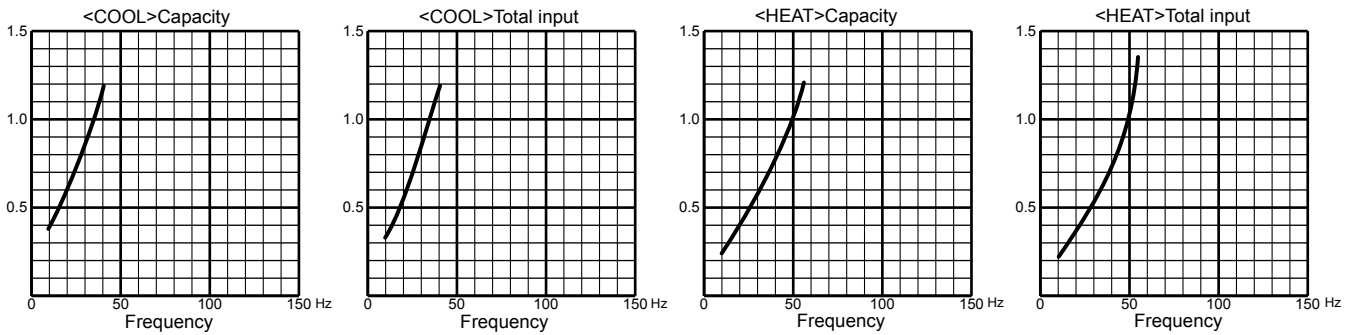


# MXZ-5D102VA

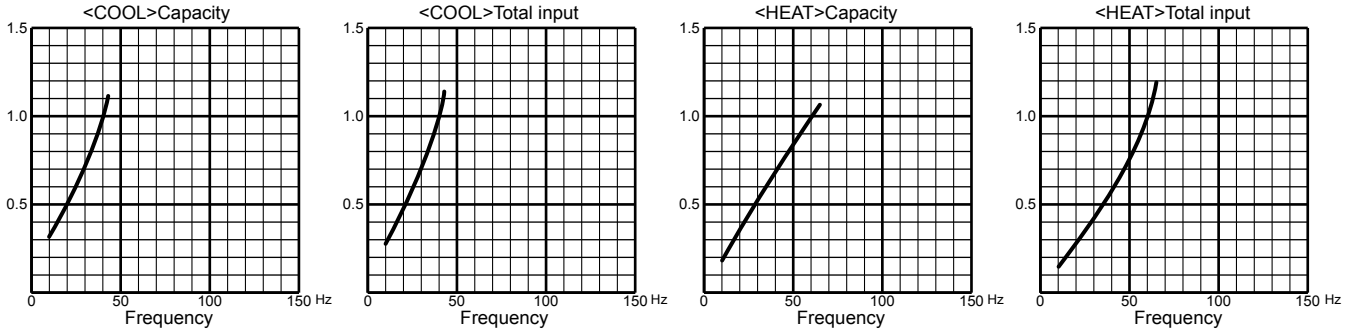
## 35-class unit



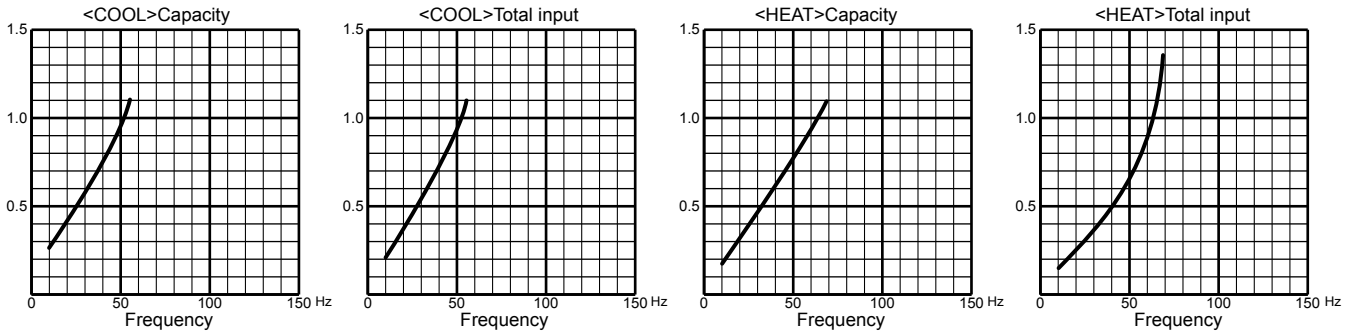
## 42-class unit



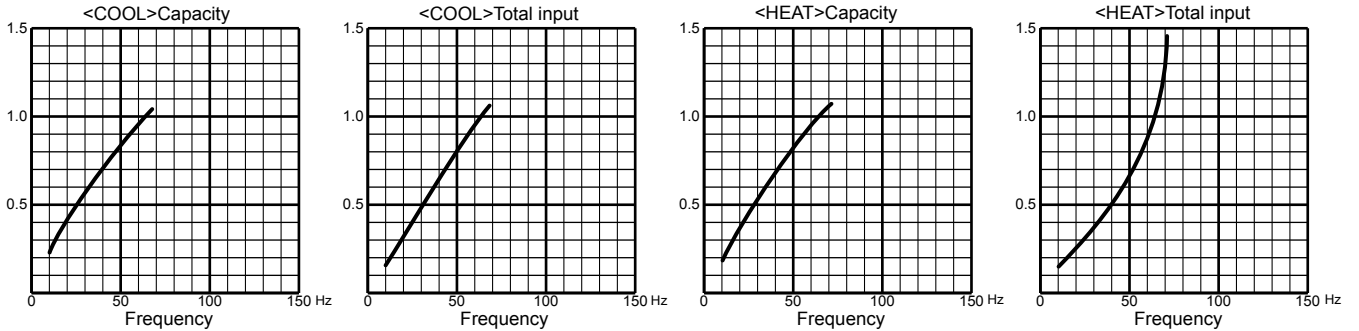
## 50-class unit



## 60-class unit

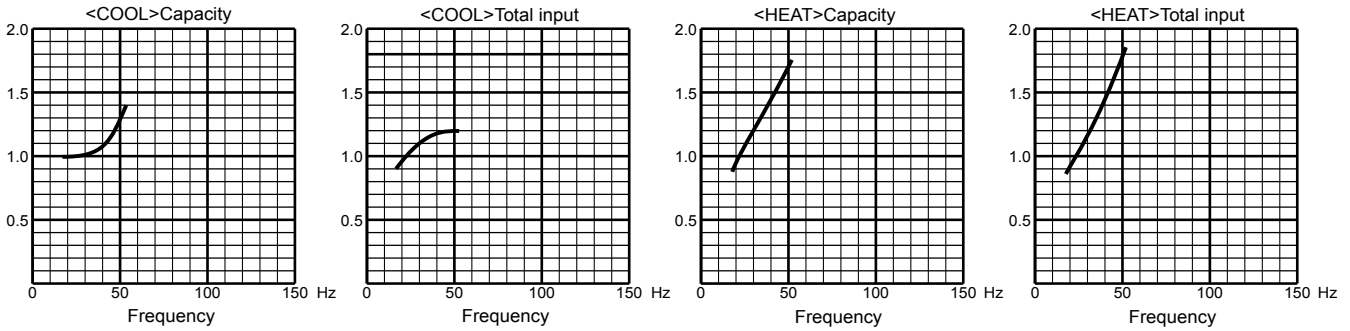


## 71-class unit

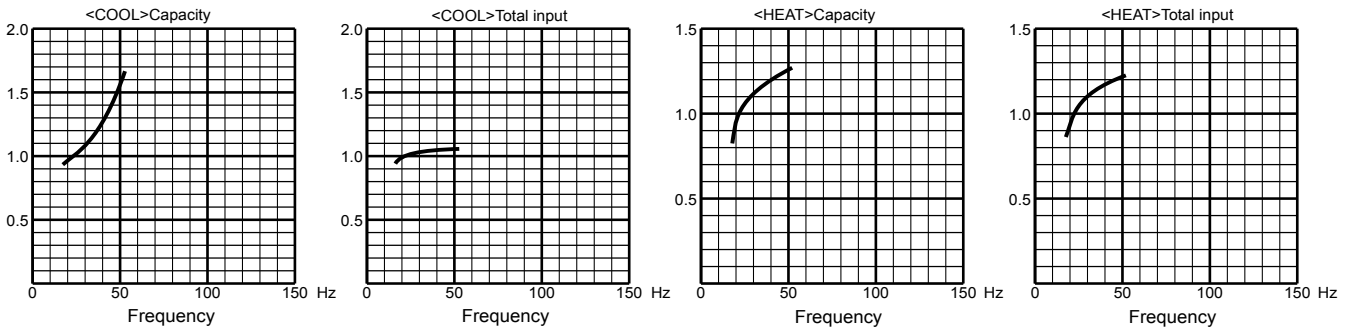


# MXZ-6D122VA

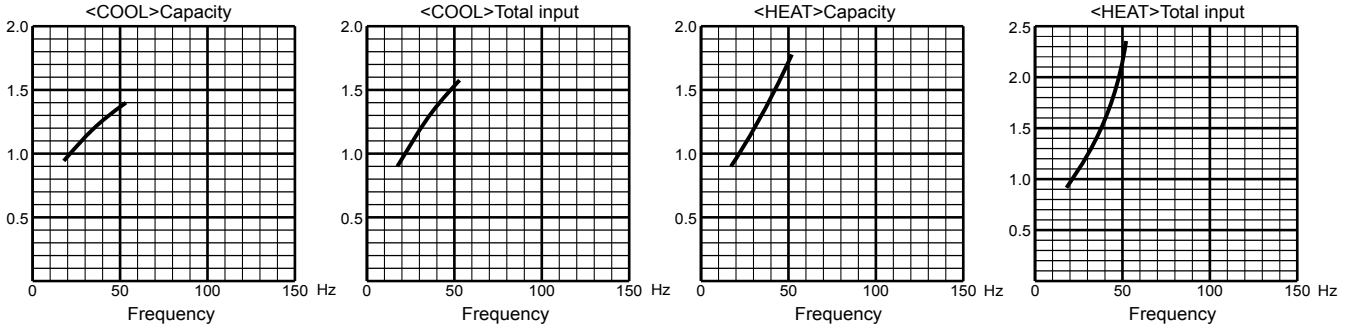
## 15-class unit



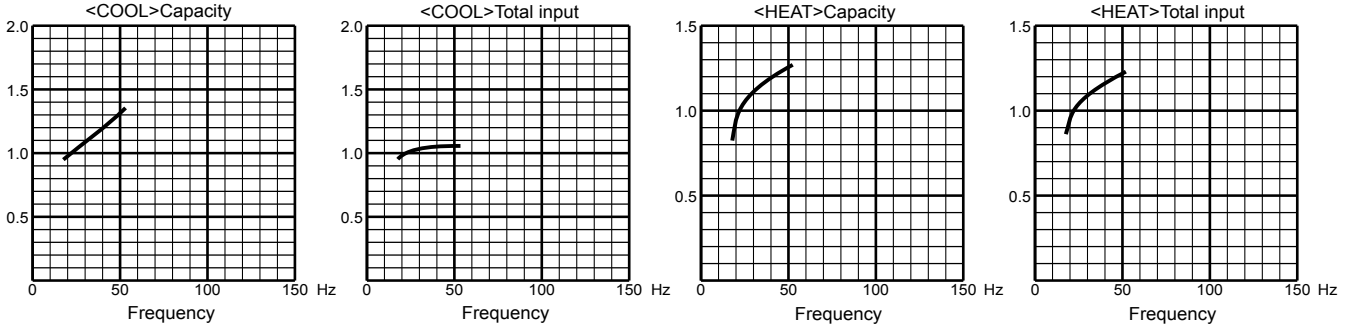
## 18-class unit



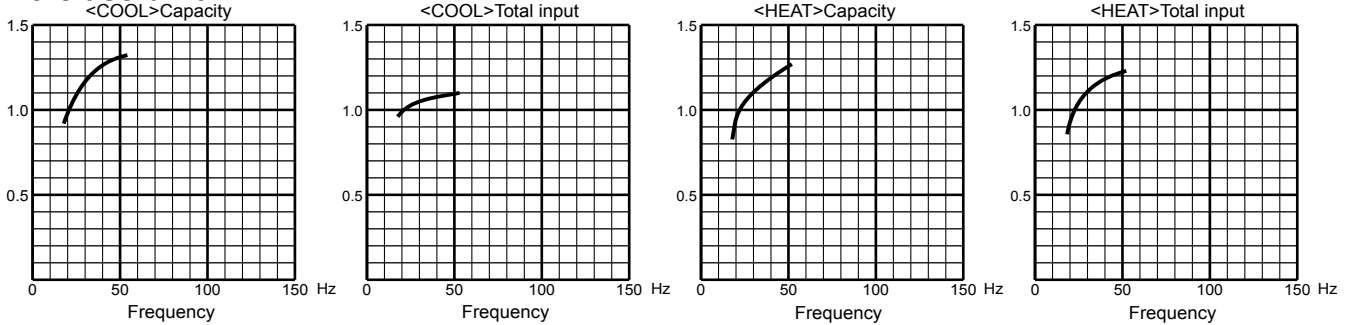
## 20-class unit



## 22-class unit



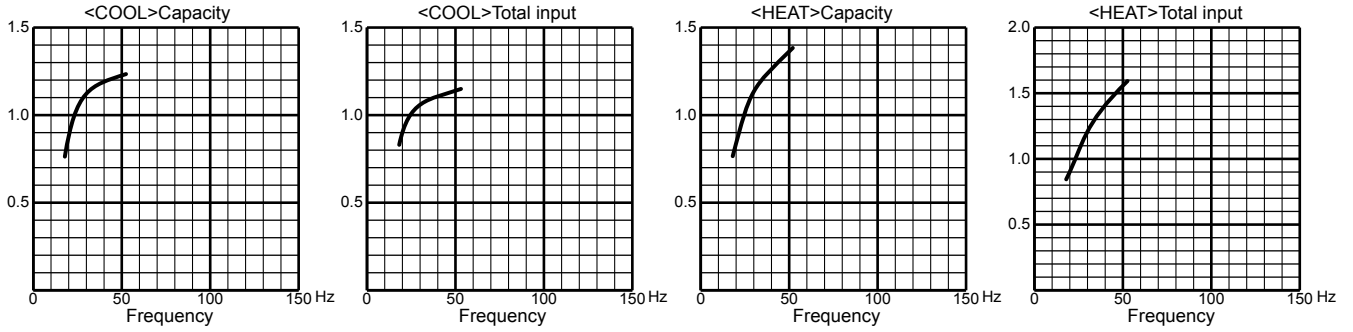
## 25-class unit



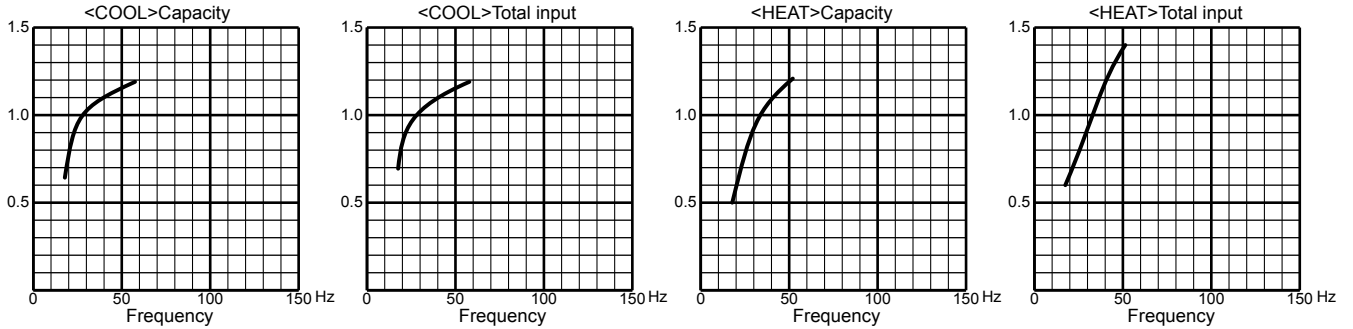


# MXZ-6D122VA

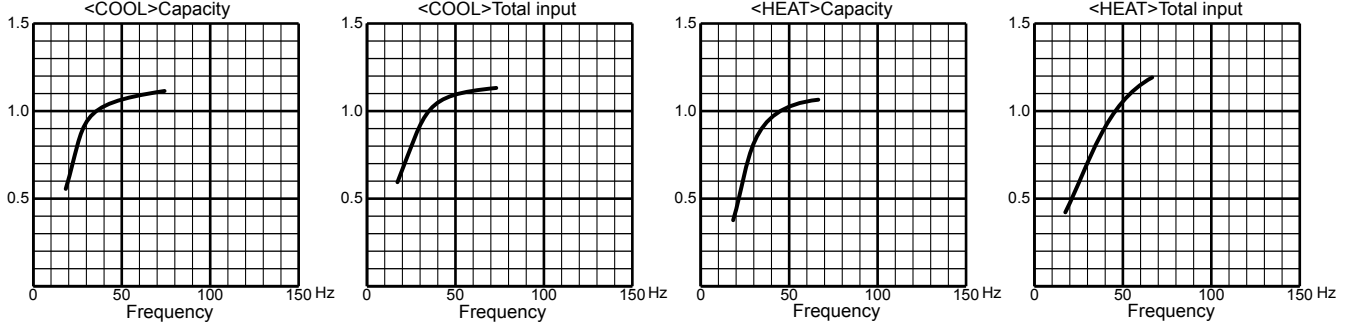
## 35-class unit



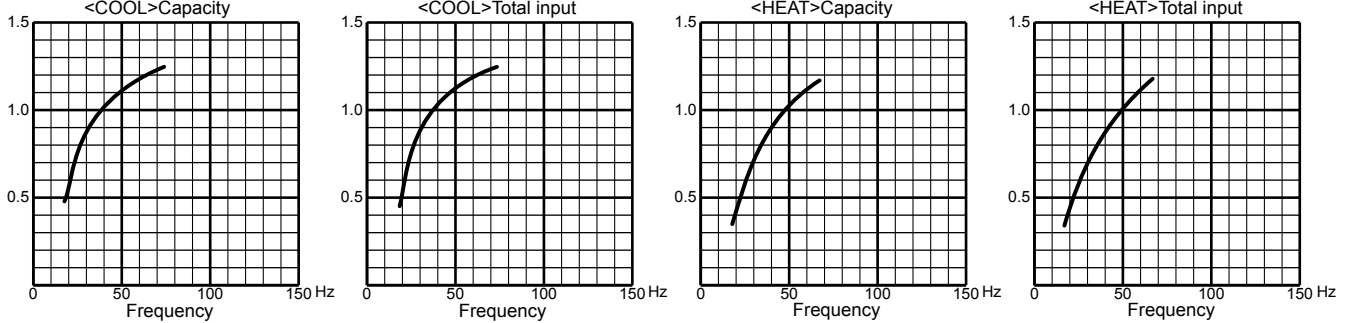
## 42-class unit



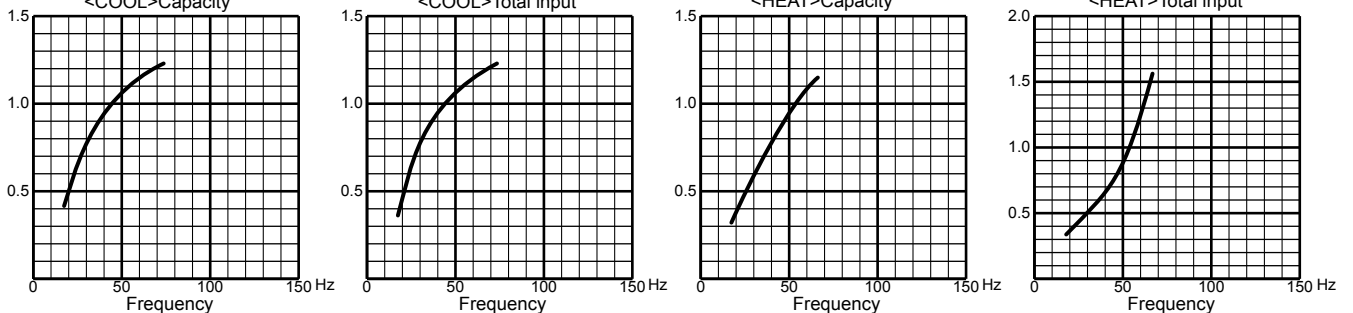
## 50-class unit



## 60-class unit



## 71-class unit



### 8-3. HOW TO OPERATE FIXED-FREQUENCY OPERATION <Test run operation>

1. Press EMERGENCY OPERATION switch to start COOL or HEAT mode (COOL : Press once, HEAT : Press twice).
2. Test run operation starts and continues to operate for 30 minutes.
3. Compressor operates at rated frequency.
4. Indoor fan operates at High speed.
5. After 30 minutes, test run operation finishes and EMERGENCY OPERATION starts (Operation frequency of compressor varies).
6. To cancel test run operation or EMERGENCY OPERATION, press EMERGENCY OPERATION switch or any button on remote controller.

### 8-4. OUTDOOR LOW PRESSURE AND OUTDOOR UNIT CURRENT CURVE (single operation)

**NOTE:** The unit of pressure has been changed to MPa on the international system of units (SI unit system).  
The conversion factor is : **1 (MPa [Gauge]) = 10.2 (kgf/cm<sup>2</sup> [Gauge])**

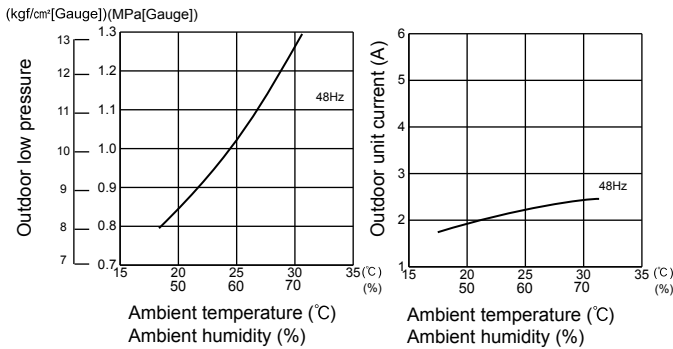
#### (1) COOL operation

- ① Both indoor and outdoor units are under the same temperature/humidity condition.
- ② Operation : TEST RUN OPERATION (Refer to 8-3.)

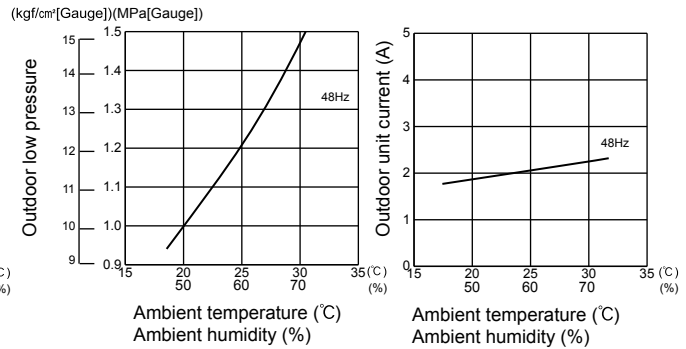
Dry-bulb temperature (°C)	Relative humidity (%)
20	50
25	60
30	70

#### MXZ-2D33VA

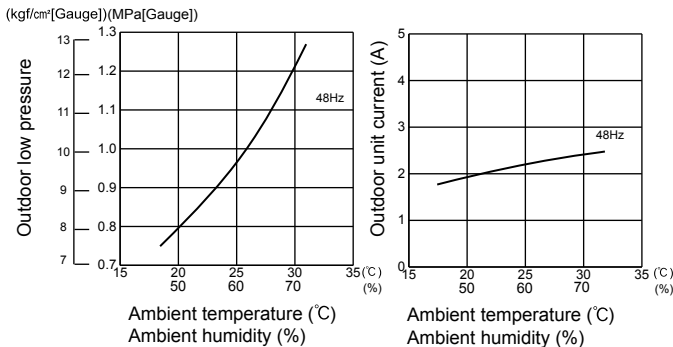
##### 15-class unit



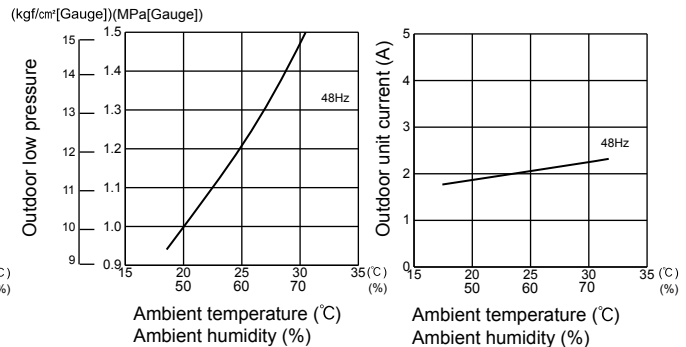
##### 18-class unit



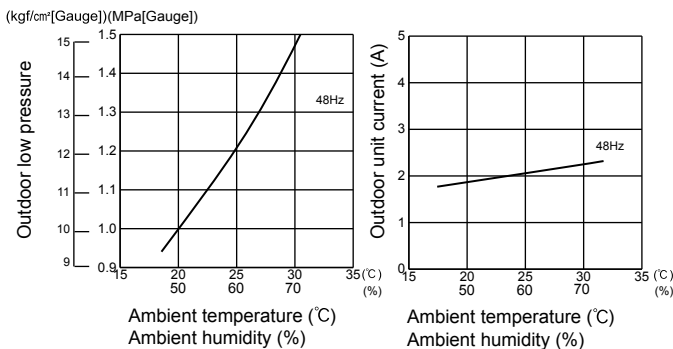
##### 20-class unit



##### 22-class unit

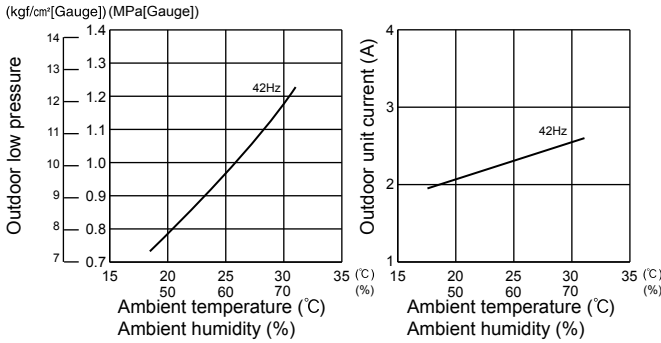


##### 25-class unit

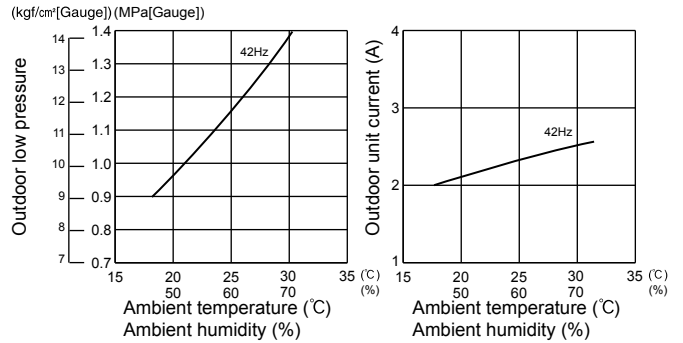


## MXZ-2D40VA

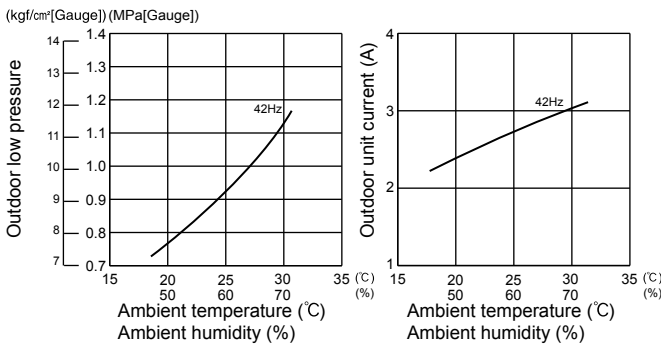
### 15-class unit



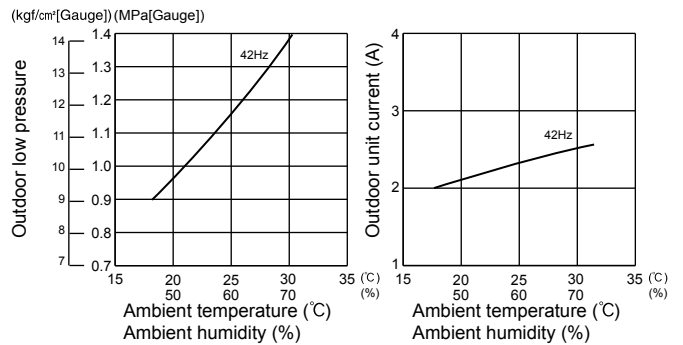
### 18-class unit



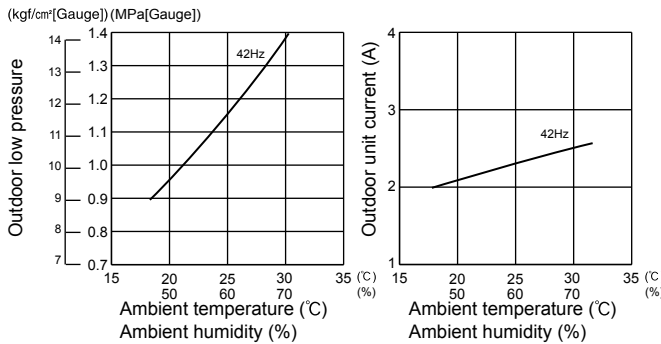
### 20-class unit



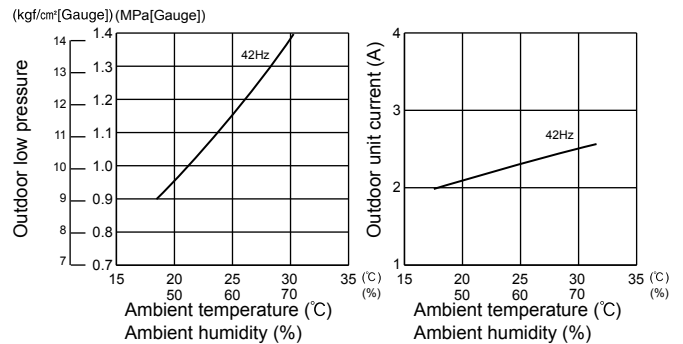
### 22-class unit



### 25-class unit

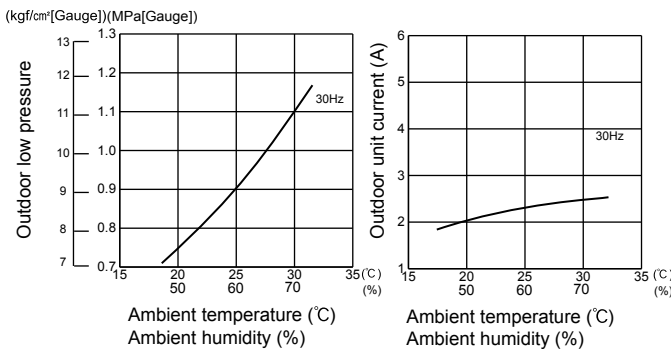


### 35-class unit

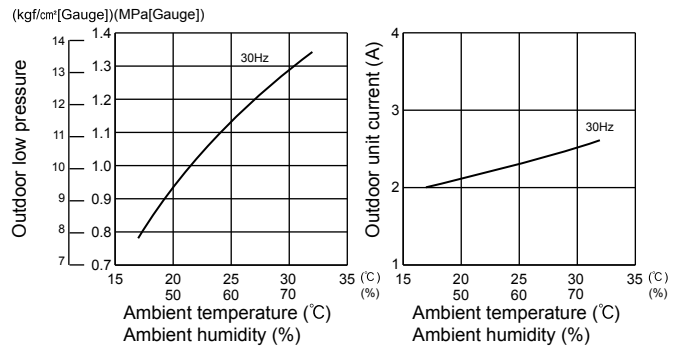


## MXZ-2D42VA MXZ-2D42VA2 MXZ-2D53VA MXZ-2D53VA2 MXZ-2D53VAH MXZ-2D53VAH2

### 15-class unit

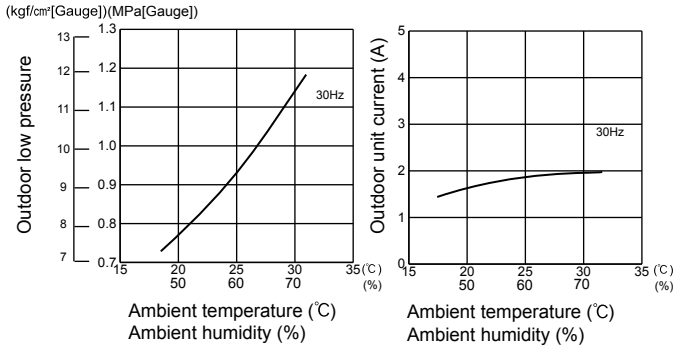


### 18-class unit

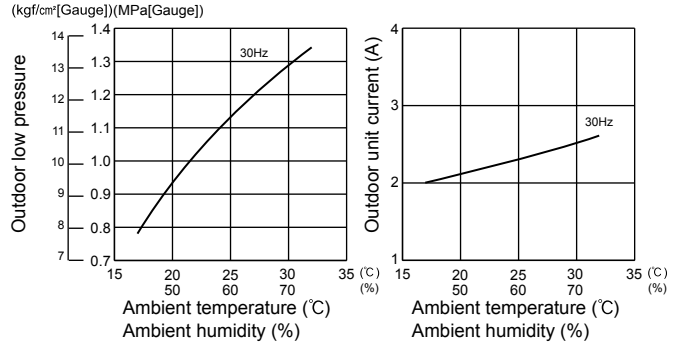


**MXZ-2D42VA MXZ-2D42VA2 MXZ-2D53VA MXZ-2D53VA2 MXZ-2D53VAH MXZ-2D53VAH2**

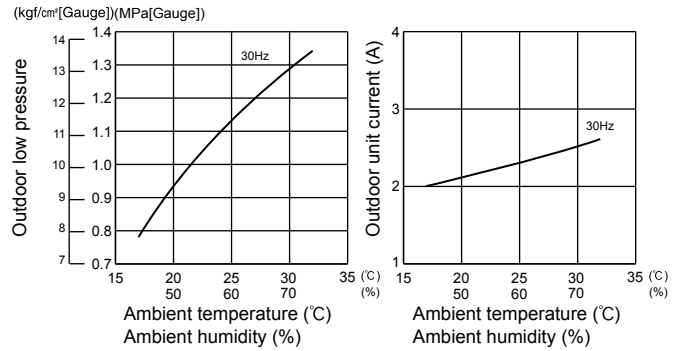
**20-class unit**



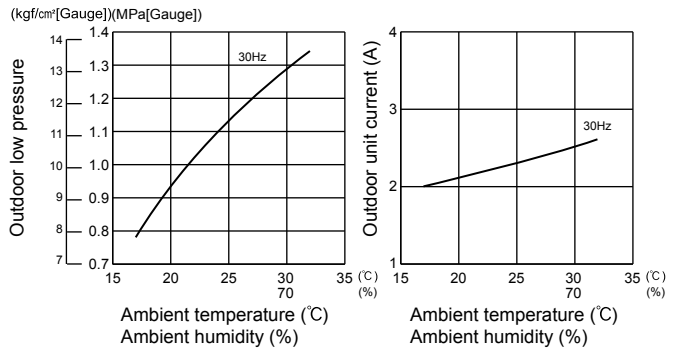
**22-class unit**



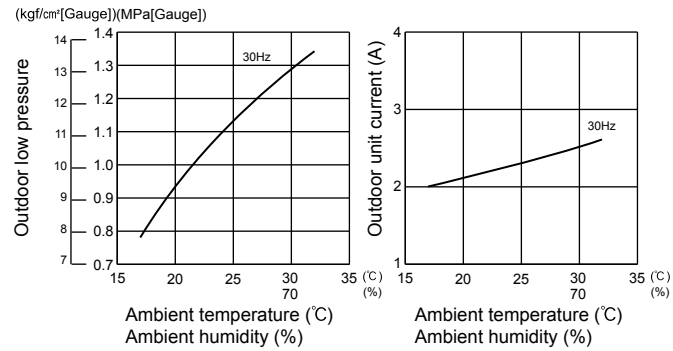
**25-class unit**



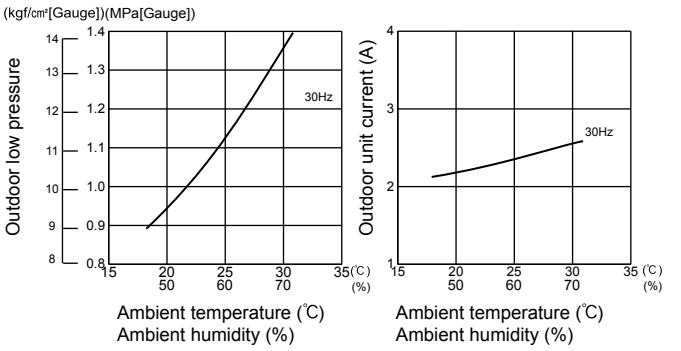
**35-class unit**



**42-class unit**

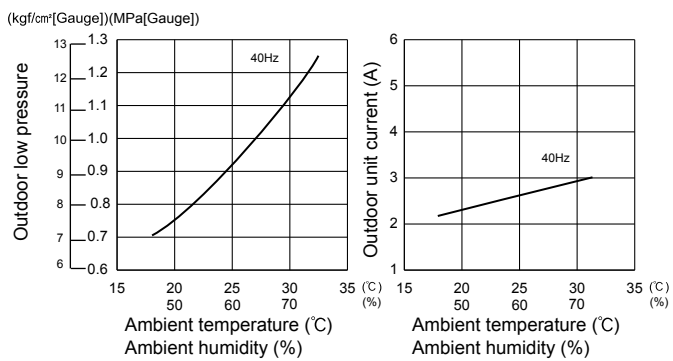


**50-class unit**

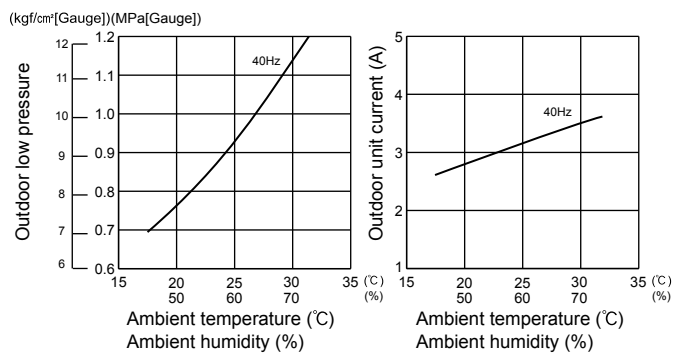


**MXZ-3D54VA MXZ-3D54VA2**

**15-class unit**



**18-class unit**







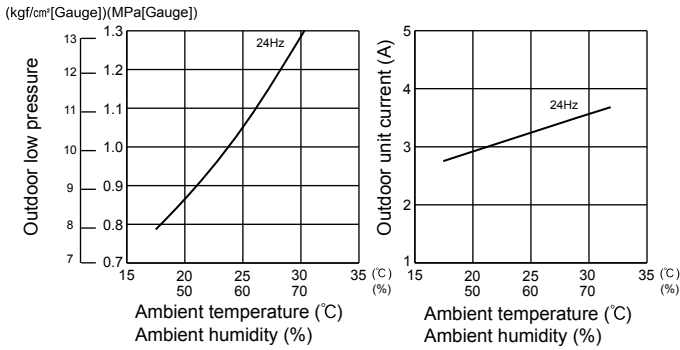




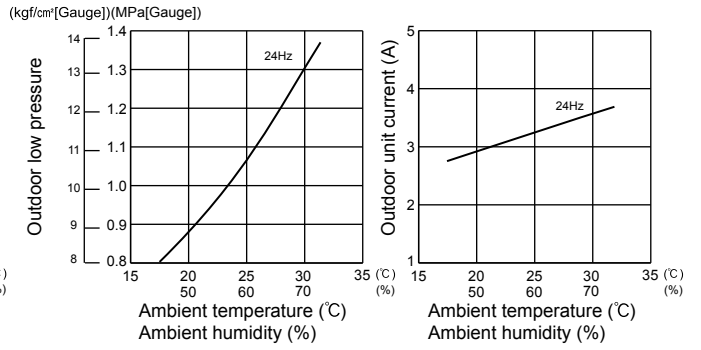


# MXZ-5D102VA

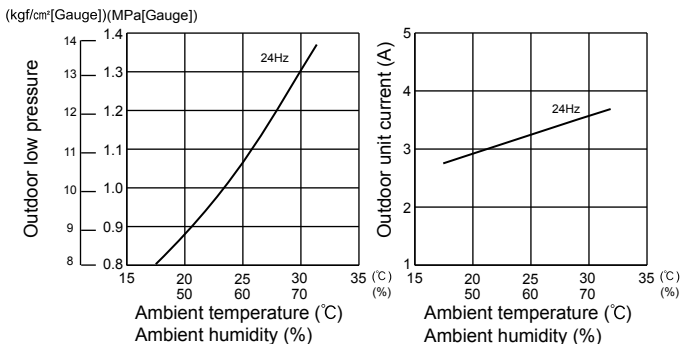
## 50-class unit



## 60-class unit

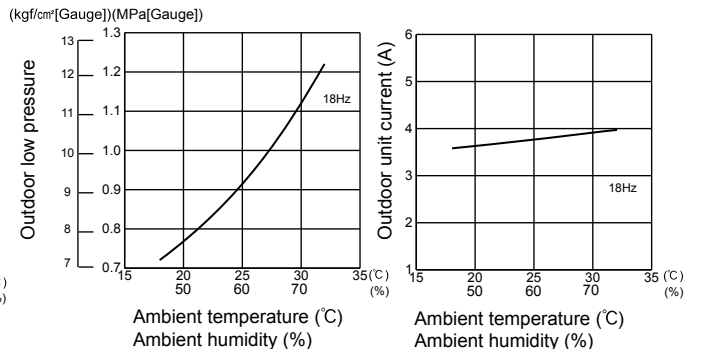


## 71-class unit

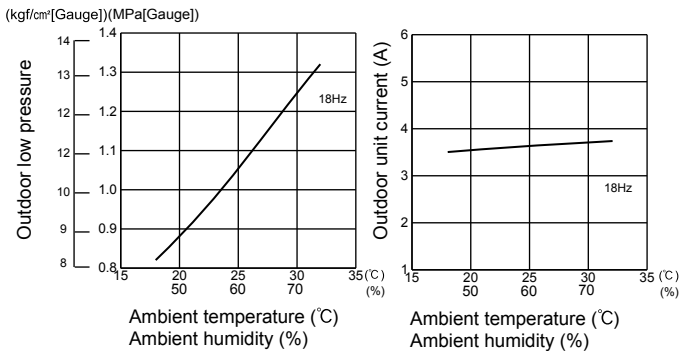


# MXZ-6D122VA

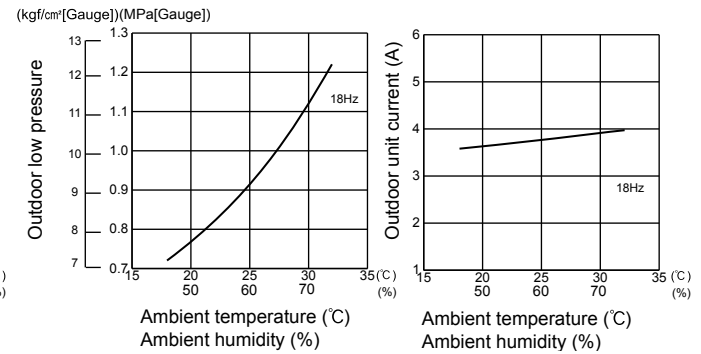
## 15-class unit



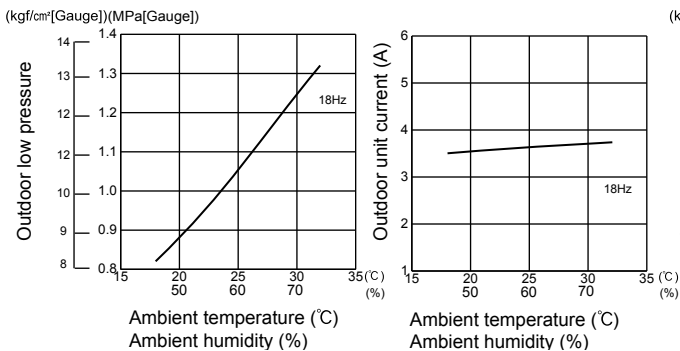
## 18-class unit



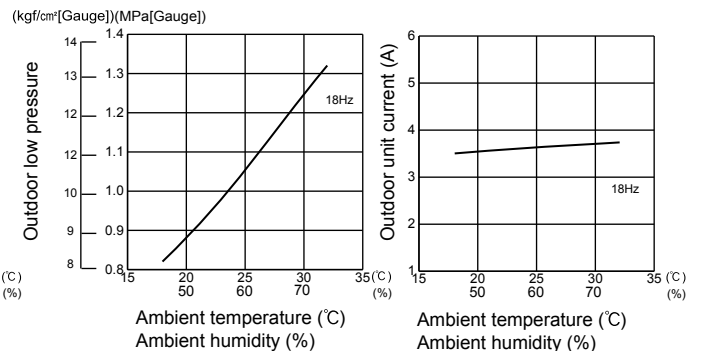
## 20-class unit



## 22-class unit

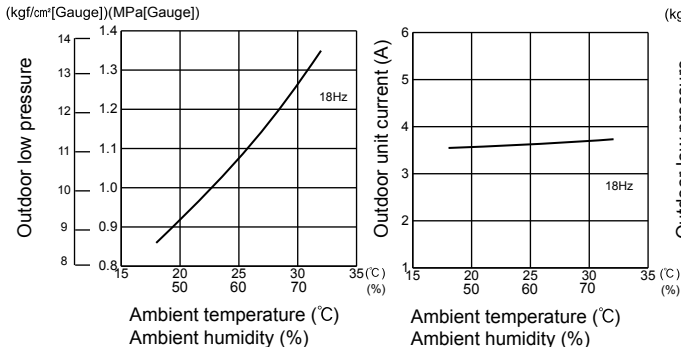


## 25-class unit

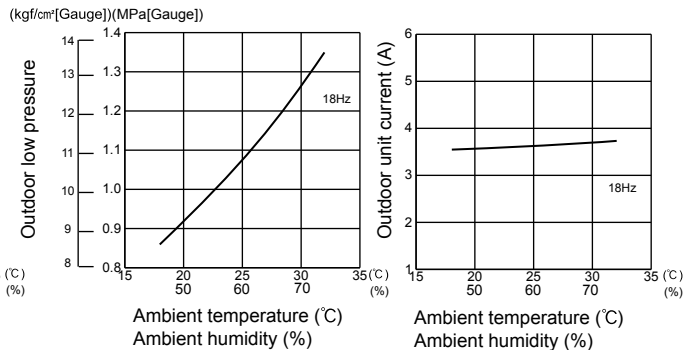


## MXZ-6D122VA

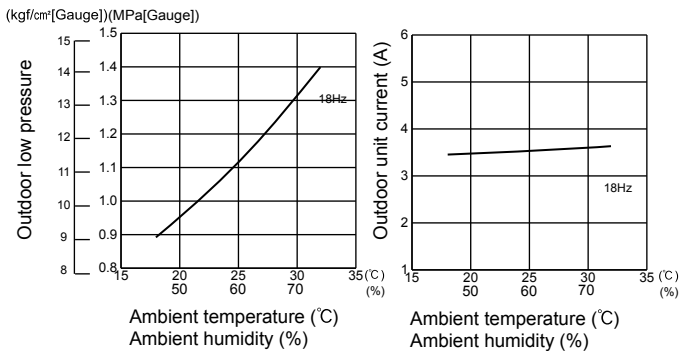
### 35-class unit



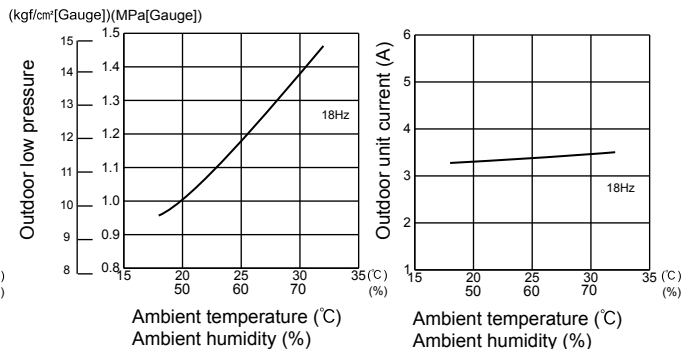
### 42-class unit



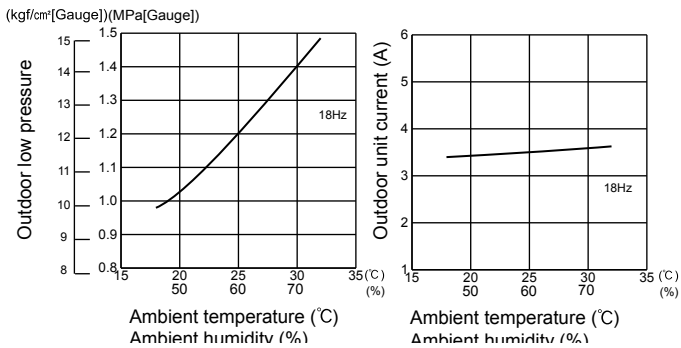
### 50-class unit



### 60-class unit



### 71-class unit



## (2) HEAT operation

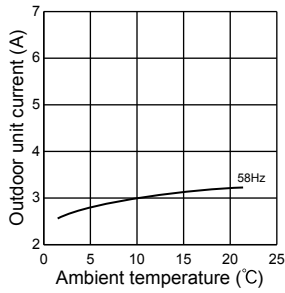
① Condition :

	Indoor	Outdoor			
Dry bulb temperature (°C)	20.0	2	7	15	20.0
Wet bulb temperature (°C)	14.5	1	6	12	14.5

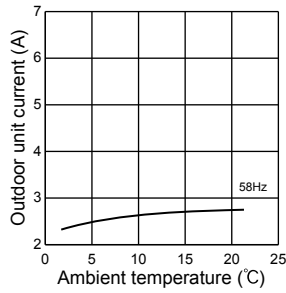
② Operation : TEST RUN OPERATION (Refer to 8-3.)

### MXZ-2D33VA

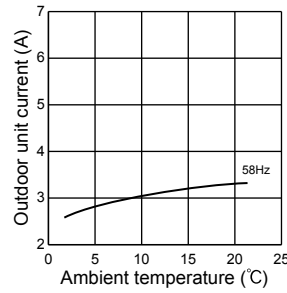
#### 15-class unit



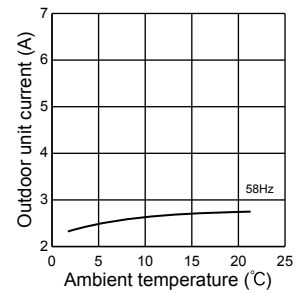
#### 18-class unit



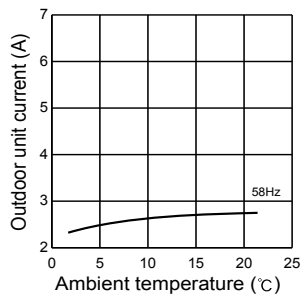
#### 20-class unit



#### 22-class unit

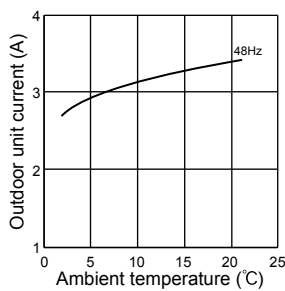


#### 25-class unit

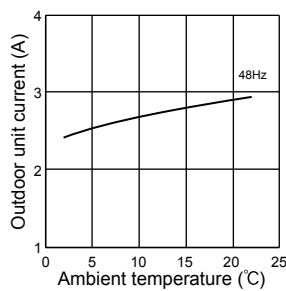


### MXZ-2D40VA

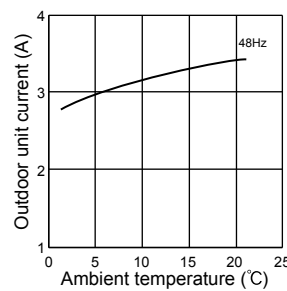
#### 15-class unit



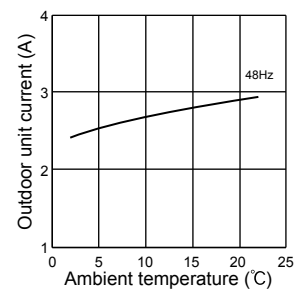
#### 18-class unit



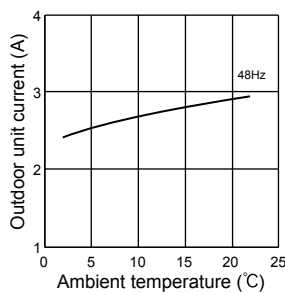
#### 20-class unit



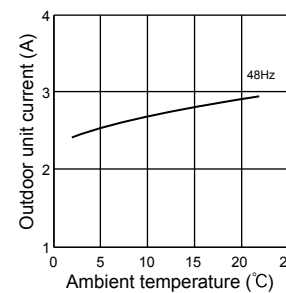
#### 22-class unit



#### 25-class unit

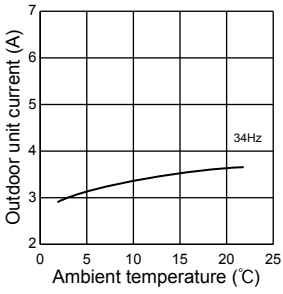


#### 35-class unit

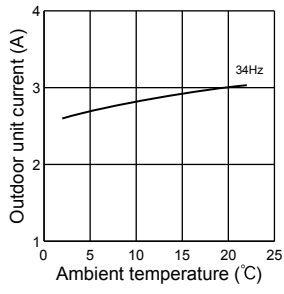


**MXZ-2D42VA MXZ-2D42VA2 MXZ-2D53VA MXZ-2D53VA2 MXZ-2D53VAH MXZ-2D53VAH2**

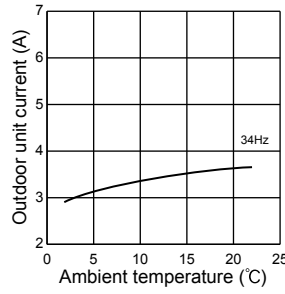
**15-class unit**



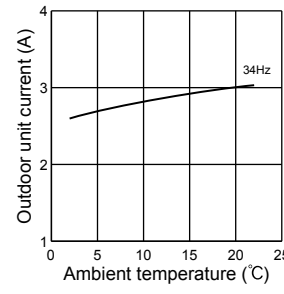
**18-class unit**



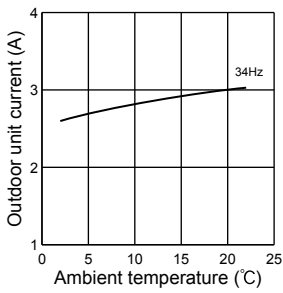
**20-class unit**



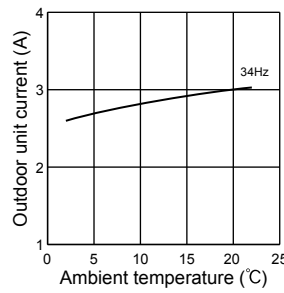
**22-class unit**



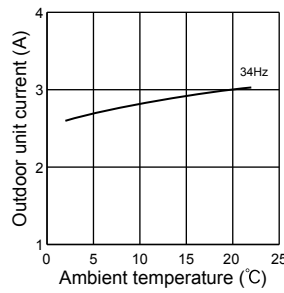
**25-class unit**



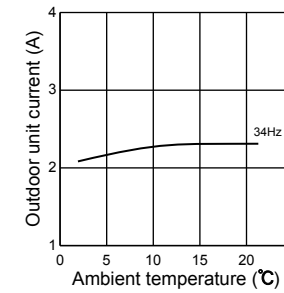
**35-class unit**



**42-class unit**

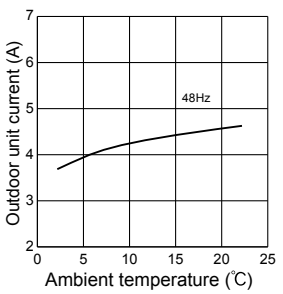


**50-class unit**

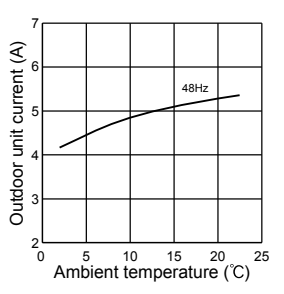


**MXZ-3D54VA MXZ-3D54VA2**

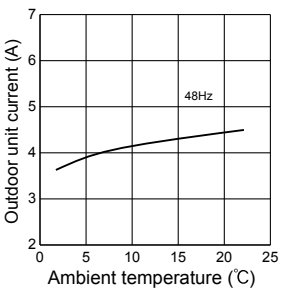
**15-class unit**



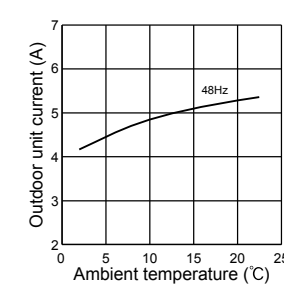
**18-class unit**



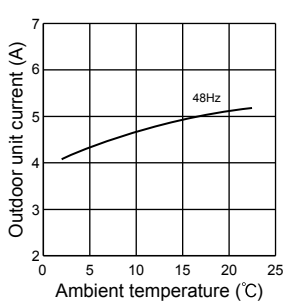
**20-class unit**



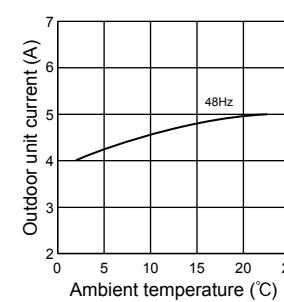
**22-class unit**



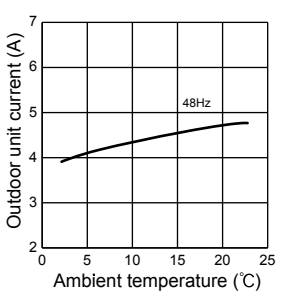
**25-class unit**



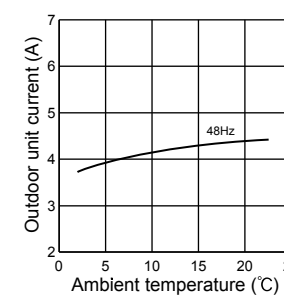
**35-class unit**



**42-class unit**

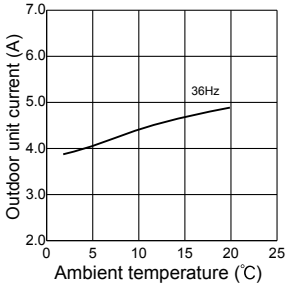


**50-class unit**

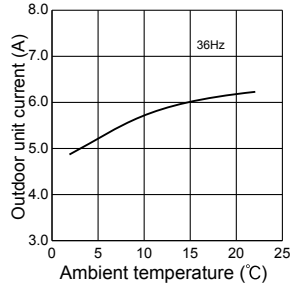


**MXZ-3D68VA MXZ-4D72VA**

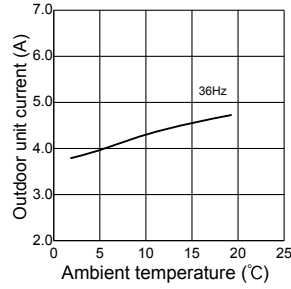
**15-class unit**



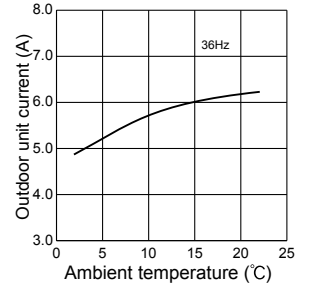
**18-class unit**



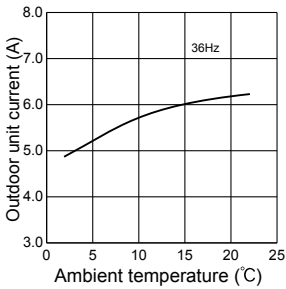
**20-class unit**



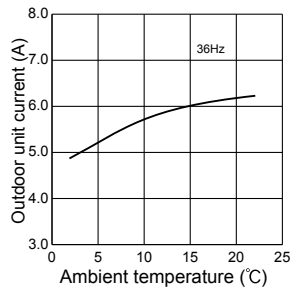
**22-class unit**



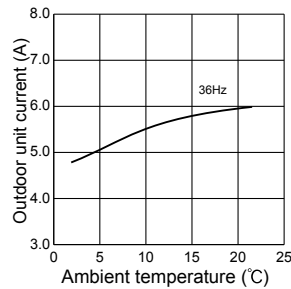
**25-class unit**



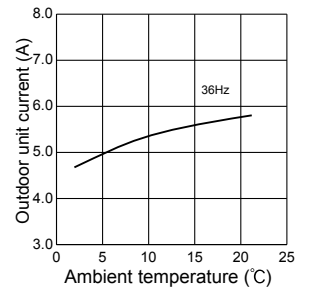
**35-class unit**



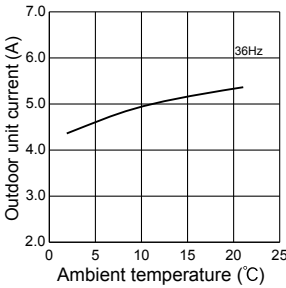
**42-class unit**



**50-class unit**

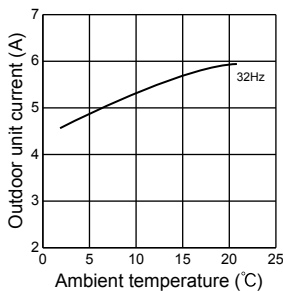


**60-class unit**

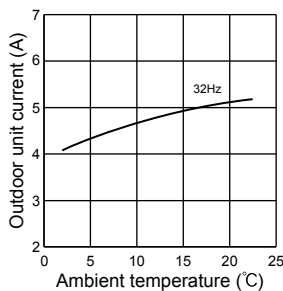


**MXZ-4D83VA**

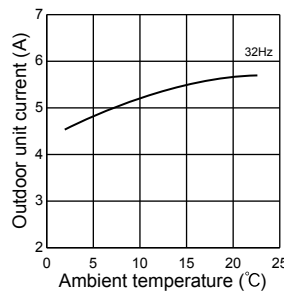
**15-class unit**



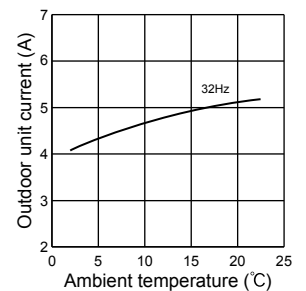
**18-class unit**



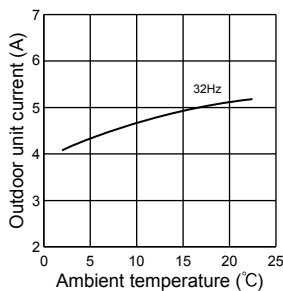
**20-class unit**



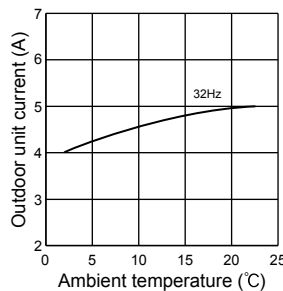
**22-class unit**



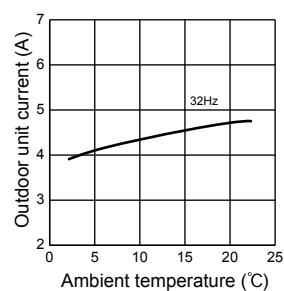
**25-class unit**



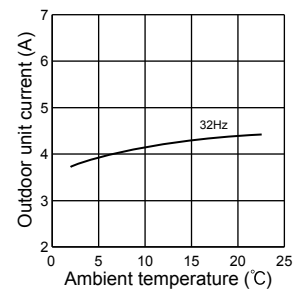
**35-class unit**



**42-class unit**

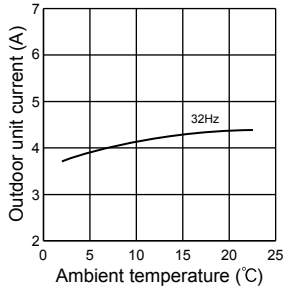


**50-class unit**

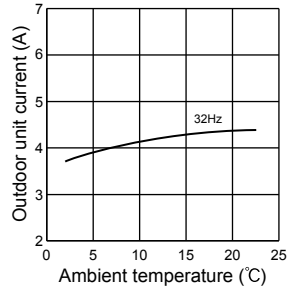


## MXZ-4D83VA

### 60-class unit

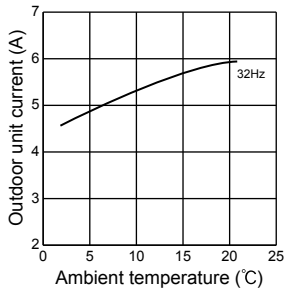


### 71-class unit

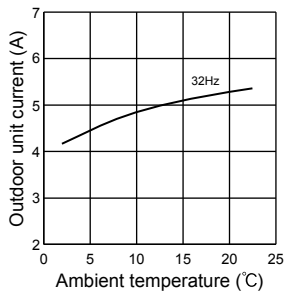


## MXZ-5D102VA

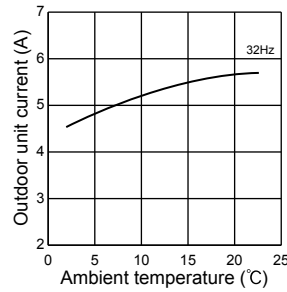
### 15-class unit



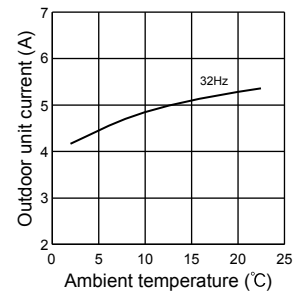
### 18-class unit



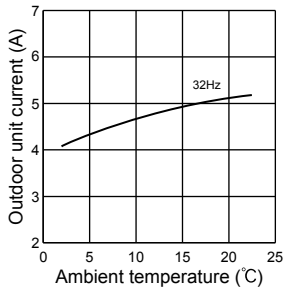
### 20-class unit



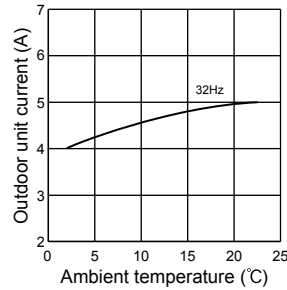
### 22-class unit



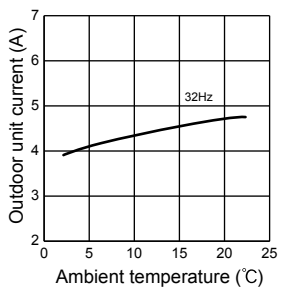
### 25-class unit



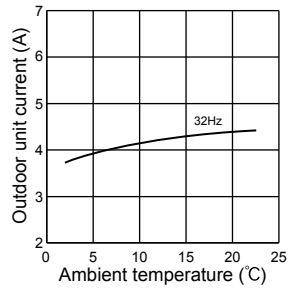
### 35-class unit



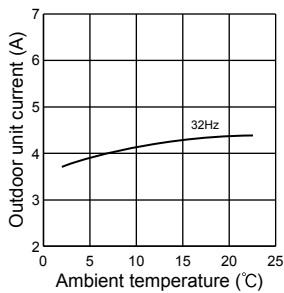
### 42-class unit



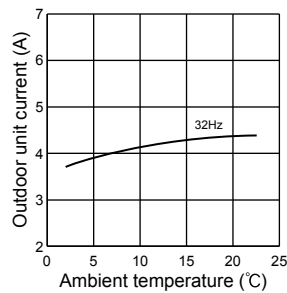
### 50-class unit



### 60-class unit



### 71-class unit





**MXZ-2D33VA**   **MXZ-2D40VA**   **MXZ-2D42VA**   **MXZ-2D42VA2**  
**MXZ-2D53VA**   **MXZ-2D53VA2**   **MXZ-2D53VAH**   **MXZ-2D53VAH2**  
**MXZ-3D54VA**   **MXZ-3D54VA2**   **MXZ-3D68VA**  
**MXZ-4D72VA**   **MXZ-4D83VA**   **MXZ-5D102VA**   **MXZ-6D122VA**

**Relation between main sensor and actuator**

Sensor	Purpose	Actuator				
		Compressor	LEV	Outdoor fan motor	R.V. coil	Defrost heater ※1
Discharge temperature thermistor	Protection	○	○			
Indoor coil temperature thermistor	Cooling: Coil frost prevention	○				
	Heating: High pressure protection	○	○			
Defrost thermistor	Heating: Defrosting	○	○	○	○	
Fin temperature thermistor	Protection	○		○		
Ambient temperature thermistor	Control/Protection	○	○	○		
	Heating: Defrosting (Heater)					○
Outdoor heat exchanger temperature thermistor	Cooling: Control/Protection	○	○	○		
Capacity code	Control	○	○			

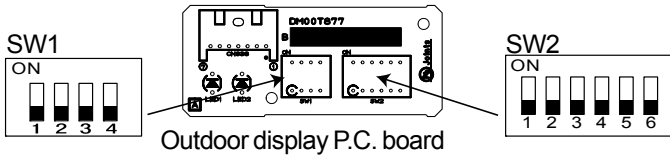
※1 **MXZ-2D53VAH, MXZ-2D53VAH2** only.



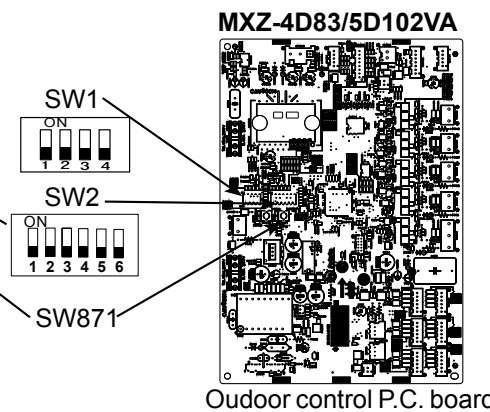
**MXZ-2D33VA MXZ-2D40VA MXZ-2D42VA MXZ-2D42VA2**  
**MXZ-2D53VA MXZ-2D53VA2 MXZ-2D53VAH MXZ-2D53VAH2**  
**MXZ-3D54VA MXZ-3D54VA2 MXZ-3D68VA**  
**MXZ-4D72VA MXZ-4D83VA MXZ-5D102VA MXZ-6D122VA**

**10-1. THE POSITION OF SWITCH**

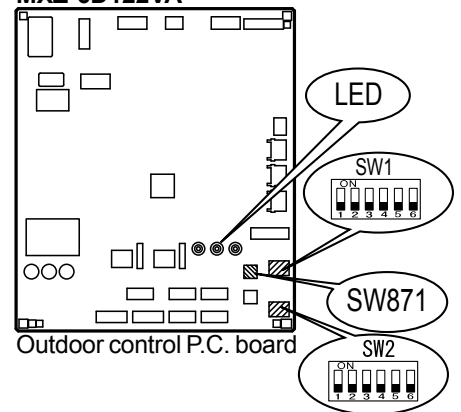
**MXZ-2D33VA MXZ-2D40VA MXZ-2D42VA MXZ-2D42VA2**  
**MXZ-2D53VA MXZ-2D53VA2 MXZ-2D53VAH MXZ-2D53VAH2**



**MXZ-3D54/3D68/4D72VA**  
**MXZ-3D54VA2**



**MXZ-6D122VA**



**10-2. LOCKING THE OPERATION MODE OF THE AIR CONDITIONER (COOL, DRY, HEAT)**

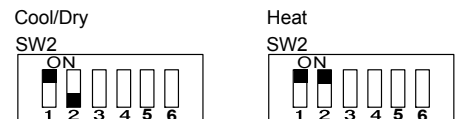
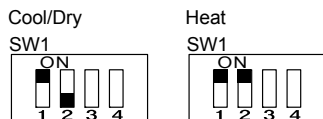
With this function, you can lock the operation mode of the outdoor unit.  
 Once the operation mode is locked to either COOL/DRY mode or HEAT mode, the air conditioner operates in that mode only.  
 Default setting is required to activate this function.  
 Please explain this function to your customers and ask them whether they want to use it.

[How to lock the operation mode]

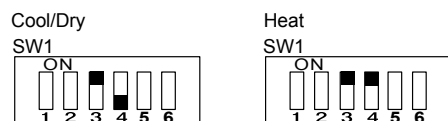
- (1) Turn OFF the power supply and make sure that the LED goes off.
- (2) Set SW1 or SW2 as shown in the figure below.
- (3) Turn ON the power supply.

**MXZ-2D33VA/2D40VA/2D42VA/2D42VA2/2D53VA/2D53VA2 MXZ-3D54VA/3D54VA2/3D68VA/4D72VA**  
**MXZ-2D53VAH/2D53VAH2 SW2 on the outdoor control P.C. board**

**SW1 on the outdoor display P.C. board**  
**MXZ-4D83VA/5D102VA**  
**SW1 on the outdoor control P.C. board**



**MXZ-6D122VA**  
**SW1 on the outdoor control P.C. board**



### 10-3. LOWERING THE OPERATING NOISE OF THE OUTDOOR UNIT

With this function, you can lower the operating noise of the outdoor unit when the operation load is small, for example, during night time in COOL mode.

However, note that the cooling and heating capacity can also be lowered if this function is activated.

Default setting is required to activate this function.

Please explain this function to your customers and ask them whether they want to use it.

[How to lower the operating noise]

(1) Turn OFF the power supply and make sure that the LED goes off.

(2) Set the "3" Switch of SW1 to ON to enable this function. (MXZ-2D33VA/2D40VA/2D42VA/2D42VA2/2D53VA/2D53VA2/2D53VAH/2D53VAH2/4D83VA/5D102VA)

Set the "3" Switch of SW2 to ON to enable this function. (MXZ-3D54VA/3D54VA2/3D68VA/4D72VA)

Set the "5" Switch of SW1 to ON to enable this function. (MXZ-6D122VA)

(3) Turn ON the power supply.

**MXZ-2D33VA/2D40VA/2D42VA/2D42VA2/2D53VA/2D53VA2**    **MXZ-3D54VA/3D54VA2/3D68VA/4D72VA**

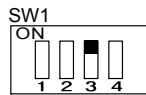
**MXZ-2D53VAH/2D53VAH2**

**SW2 on the outdoor control P.C. board**

**SW1 on the outdoor display P.C. board**

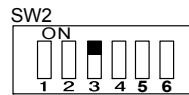
**MXZ-4D83VA/5D102VA**

**SW1 on the outdoor control P.C. board**



**MXZ-6D122VA**

**SW1 on the outdoor control P.C. board**



### 10-4. AUTOMATIC LINE CORRECTING

This outdoor unit has an automatic line correcting function which automatically detects and corrects improper wiring or piping.

**<MXZ-2D33VA/2D40VA/2D42VA/2D42VA2/2D53VA/2D53VA2/2D53VAH/2D53VAH2>**

Improper wiring or piping can be automatically detected when one indoor unit is operated in COOL mode for 30 minutes.

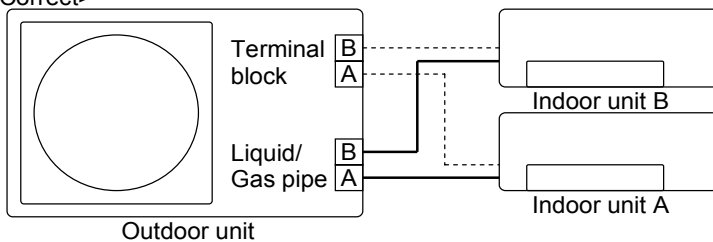
When improper wiring or piping is detected, wiring lines are corrected (A to B/ B to A) with the software.

**NOTE:** This function may not work due to the condition or environment of the unit, such as the following:

- gas leak, closed stop valve
- unit failure such as defective LEV
- indoor/outdoor temperature

**NOTE:** This function does not work when the "2" of SW2 on the outdoor display P.C. board is turned OFF.

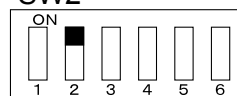
<Correct>



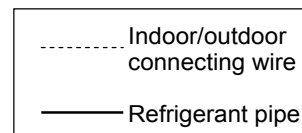
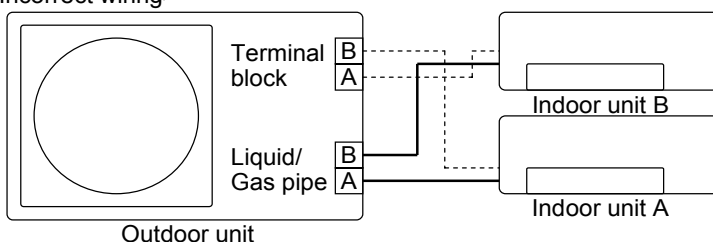
**MXZ-2D33VA/2D40VA/2D42VA/2D42VA2**  
**MXZ-2D53VA/2D53VA2/2D53VAH/2D53VAH2**

**SW2 on the outdoor display P.C. board**

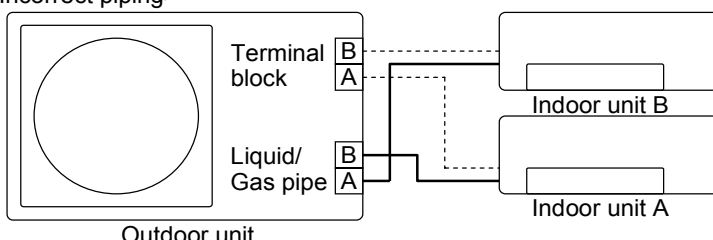
**SW2**



<Incorrect wiring>



<Incorrect piping>

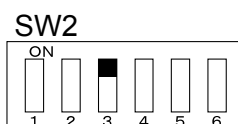


The record of automatic line correcting can be checked in the following way:

- (1) Turn OFF the power supply and make sure that the LED goes off.
- (2) Turn ON the "3" of SW2 on the outdoor display P.C. board.
- (3) Turn ON the power supply.
- (4) Check the correction state with the LED lamps on the outdoor display P.C. board.
- (5) Turn OFF the power supply and make sure that the LED goes off.
- (6) Turn ON the "3" of SW2 on the outdoor display P.C. board.
- (7) Turn ON the power supply.

Number of blinks		Wiring line
LED1 (Red)	LED2 (Yellow)	
Once	Once	Not corrected
3 times	3 times	Corrected

**MXZ-2D33VA/2D40VA/2D42VA/2D42VA2  
MXZ-2D53VA/2D53VA2/2D53VAH/2D53VAH2  
SW2 on the outdoor display P.C. board**



**<MXZ-3D54VA/3D54VA2/3D68VA/4D72VA/4D83VA/5D102VA>**

Improper wiring or piping can be automatically detected by pressing the piping/wiring correction switch (SW871) on the outdoor control P.C. board.

When improper wiring or piping is detected, wiring lines are corrected.

This will be completed in about 10 to 20 minutes.

[How to activate this function]

1. Check that outside temperature is above 0°C.  
(This function does not work when outside temperature is not above 0°C.)
2. Check that the stop valves of the liquid pipe and gas pipe are open.
3. Check that the wiring between indoor and outdoor unit is correct.  
(If the wiring is not correct, this function does not work.)
4. Turn ON the power supply and wait at least 1 minute.
5. Press the piping/wiring correction switch (SW871) on the outdoor P.C. board.  
Do not touch energized parts.

LED indication during detection:

LED1 (Red)	LED2 (Yellow)	LED3 (Green)
Lighted	Lighted	Once

LED indication after detection:

LED1 (Red)	LED2 (Yellow)	LED3 (Green)	Indication
Lighted	Not lighted	Lighted	Completed (Problem corrected/Normal)
Once	Once	Once	Not completed (Detection failed)
Other indications			Refer to "SAFETY PRECAUTIONS WHEN LED FLASHES" located behind the service panel.

※Make sure that the valves are open and the pipes are not collapsed or clogged.

6. Press the switch to cancel.

LED indication after cancel:

LED1 (Red)	LED2 (Yellow)	LED3 (Green)
Lighted	Lighted	Not lighted

**NOTE:** Indoor unit cannot be operated while this function is activated.

When this function is activated while indoor unit is operating, the operation will be stopped.

Operate indoor unit after the automatic line correcting is finished.

Pressing the switch during detection cancels this function.

**The record of automatic line correcting can be checked in the following way:**

Press the switch for more than 5 seconds

LED will show the record of automatic correcting for about 30 seconds as shown in the table below:

Number of blinks			Wiring line
LED1 (Red)	LED2 (Yellow)	LED3 (Green)	
Once	Once	Lighted	Not corrected
3 times	3 times	Lighted	Corrected

**NOTE:** Activate this function to check the correct wiring after replacing the outdoor P.C. board.

(Previous records are deleted when the outdoor control P.C. board is replaced.)

The record cannot be shown if automatic line correcting is not cancelled (Refer to "How to activate this function").

### <MXZ-6D122VA>

Improper wiring or piping can be automatically detected by pressing the piping/wiring correction switch (SW871).  
When improper wiring or piping is detected, wiring lines are corrected.  
This will be completed in about 10 to 20 minutes.

#### [How to activate this function]

1. Check that outside temperature is above 0°C.  
(This function does not work when outside temperature is not above 0°C.)
2. Check that the stop valves of the liquid pipe and gas pipe are open.
3. Check that the wiring between indoor and outdoor unit is correct.  
(If the wiring is not correct, this function does not work.)
4. Turn ON the power supply and wait at least 1 minute.
5. Press the piping/wiring correction switch (SW871) on the outdoor control P.C. board.

Do not touch energized parts.

LED indication during detection:

LED1 (Red)	LED2 (Yellow)	LED3 (Green)
Lighted	Lighted	Once

LED indication after detection:

LED1 (Red)	LED2 (Yellow)	LED3 (Green)	Indication
Lighted	Not lighted	Lighted	Completed (Problem corrected/ normal)
Once	Once	Once	Not completed (Detection failed)
Other indications			Refer to "SAFETY PRECAUTIONS WHEN LED FLASHES" located behind the service panel.

※Make sure that the valves are open and the pipes are not collapsed or clogged.

6. Press the switch to cancel.

LED indication after cancel:

LED1 (Red)	LED2 (Yellow)	LED3 (Green)
Lighted	Lighted	Not lighted

**NOTE:** Indoor unit cannot be operated while this function is activated.

When this function is activated while indoor unit is operating, the operation will be stopped.

Operate indoor unit after the auto line correcting is finished.

Pressing the switch during detection cancels this function.

#### The record of auto line correcting can be confirmed in the following way:

Press the switch for more than 5 seconds.

LED will show the record of auto correcting for about 30 seconds as shown in the table below:

Number of blinks			Wiring line
LED1 (Red)	LED2 (Yellow)	LED3 (Green)	
Once	Once	Lighted	Not corrected
3 times	3 times	Lighted	Corrected

**NOTE:** Activate this function to check the correct wiring after replacing the outdoor P.C. board.

(Previous records are deleted when the outdoor control P.C. board is replaced.)

The record cannot be shown if automatic line correcting is not cancelled (Refer to "How to activate this function").

## 10-5. PRE-HEAT CONTROL

If moisture gets into the refrigerant cycle, or when refrigerant is liquefied and collected in the compressor, it may interfere the startup of the compressor. To improve startup condition, the compressor is energized even while it is not operating to generate heat at the winding.

The compressor uses about 50 W when pre-heat control is turned ON. Pre-heat control is OFF(MXZ-2D33VA/2D40VA/2D42VA/2D42VA2/2D53VA/2D53VA2/2D53VAH/2D53VAH2)/ON (MXZ-3D54VA/3D54VA2/3D68VA/4D72VA/4D83VA/5D102VA/6D122VA) at the default setting.

### [How to activate/ deactivate pre-heat control]

#### MXZ-2D33VA/2D40VA/2D42VA/2D42VA2/2D53VA/2D53VA2/2D53VAH/2D53VAH2

- (1) Turn OFF the power supply and make sure that the LED goes off.
- (2) Set "4" of SW2 to ON to activate or OFF to deactivate the pre-heat control function as shown in the figure below.
- (3) Turn ON the power supply.

#### SW2 on the outdoor display P.C. board

Switch	Pre-heat control	
SW2	Deactivated (Default setting)	Activated

#### MXZ-3D54VA/3D54VA2/3D68VA/4D72VA/4D83VA/5D102VA/6D122VA

- (1) Turn OFF the power supply and make sure that the LED goes off.
- (2) Set "4" of SW2 to OFF to activate or ON to deactivate the pre-heat control function as shown in the figure below.
- (3) Turn ON the power supply.

#### SW2 on the outdoor control P.C. board

Switch	Pre-heat control	
SW2	Activated (Default setting)	Deactivated

**NOTE:** Pre-heat control will be turned OFF when the power supply is turned OFF.

## 10-6. CHANGING THE AMPERE LIMIT

With this function, you can change the current that flows in the outdoor unit.

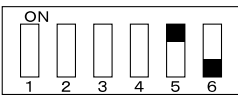
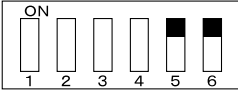
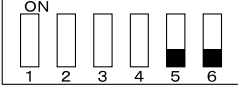
**NOTE:** Use this function only when the amount of current exceeds the allowed value.

[How to change the ampere limit]

### MXZ-4D83VA/5D102VA

- (1) Turn OFF the power supply and make sure that the LED goes off.
- (2) Set SW2 as shown in the table below.
- (3) Turn ON the power supply.

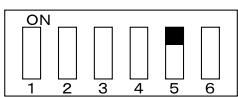
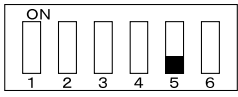
#### SW2 on the outdoor control P.C. board

SW2	MXZ-4D83VA/5D102VA
	10.5 A
	15.5 A
	Default setting Full

### MXZ-6D122VA

- (1) Be sure to turn off the main power for the air conditioner before making the setting.
- (2) Make the setting referring to the table below.
- (3) Turn ON the power supply.

#### SW2 on the outdoor control P.C. board

SW2	MXZ-6D122VA
	20 A
	Default setting Full

**MXZ-2D33VA**   **MXZ-2D40VA**   **MXZ-2D42VA**   **MXZ-2D42VA2**  
**MXZ-2D53VA**   **MXZ-2D53VA2**   **MXZ-2D53VAH**   **MXZ-2D53VAH2**  
**MXZ-3D54VA**   **MXZ-3D54VA2**   **MXZ-3D68VA**  
**MXZ-4D72VA**   **MXZ-4D83VA**   **MXZ-5D102VA**   **MXZ-6D122VA**

### 11-1. CAUTIONS ON TROUBLESHOOTING

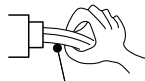
#### 1. Before troubleshooting, check the following:

- 1) Check the power supply voltage.
- 2) Check the indoor/outdoor connecting wire for miswiring.

#### 2. Take care of the following during servicing

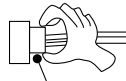
- 1) Before servicing the air conditioner, be sure to turn OFF the unit first with the remote controller, and after confirming the horizontal vane is closed, turn OFF the power supply and/or disconnect the power plug.
- 2) Be sure to turn OFF the power supply before removing the front panel, the cabinet, the top panel, and the P.C. board.
- 3) When removing the electrical parts, be careful of the residual voltage of smoothing capacitor.
- 4) When removing the P.C. board, hold the edge of the board with care NOT to apply stress on the components.
- 5) When connecting or disconnecting the connectors, hold the connector housing. DO NOT pull the lead wires.

<Incorrect>



**Lead wiring**

<Correct>



**Connector housing**

#### 3. Troubleshooting procedure

- 1) Check if the OPERATION INDICATOR lamp on the indoor unit is flashing on and off to indicate an abnormality. To make sure, check how many times the OPERATION INDICATOR lamp is flashing on and off before starting service work.
- 2) Before servicing, check that the connector and terminal are connected properly.
- 3) When the P.C. board seems to be defective, check the copper foil pattern for disconnection and the components for bursting and discoloration.
- 4) Refer to 11-2, 11-3 and 11-4.

### 11-2. FAILURE MODE RECALL FUNCTION

This air conditioner can memorize the abnormal condition which has occurred once.

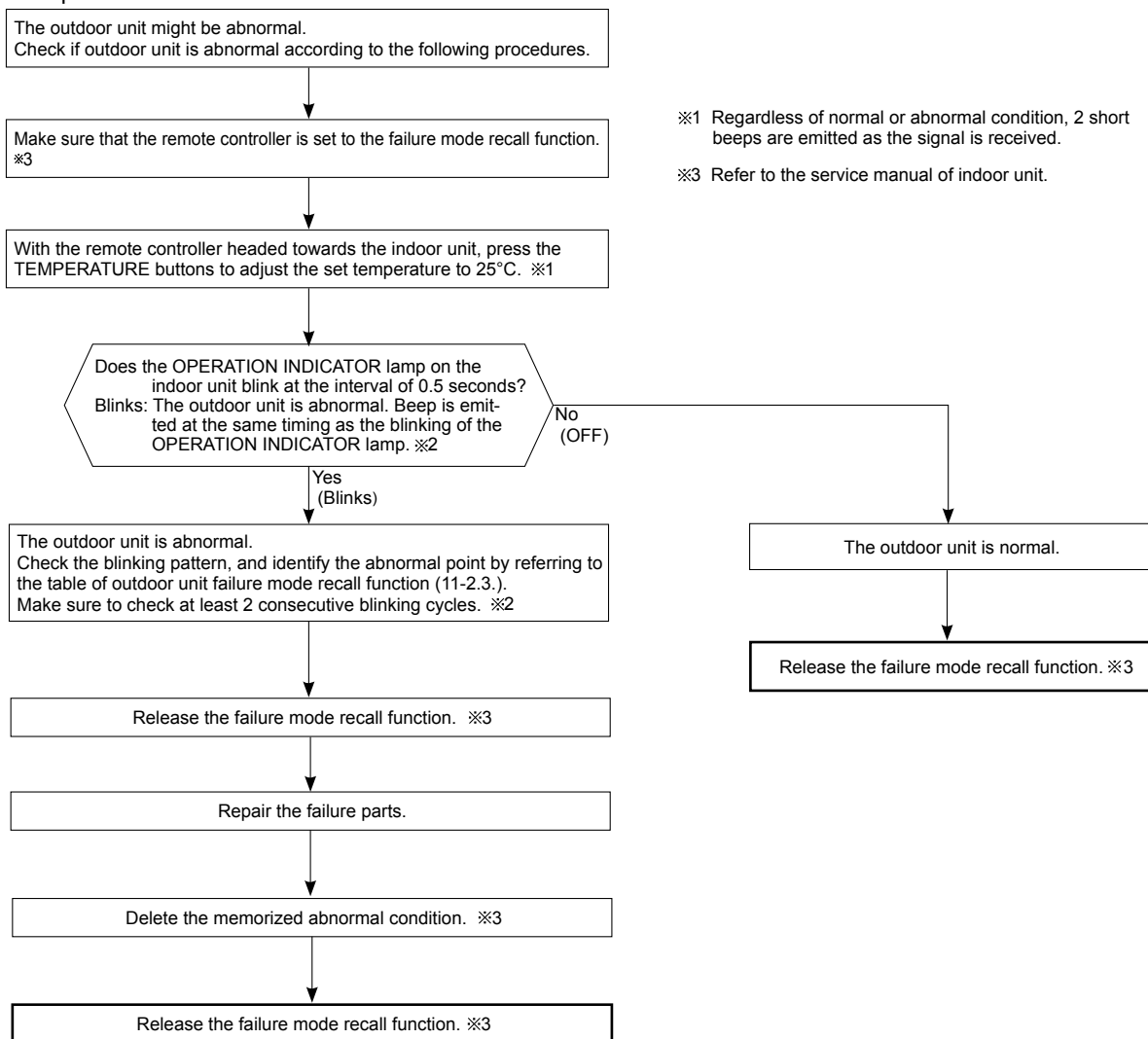
Even though LED indication listed on the troubleshooting check table (11-4.) disappears, the memorized failure details can be recalled.

#### 1. Flow chart of failure mode recall function for the indoor/outdoor unit

Refer to the service manual of indoor unit.

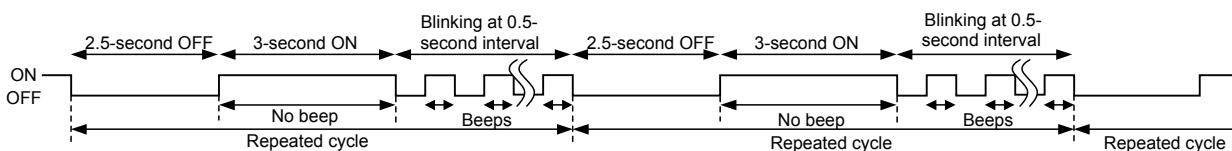
## 2. Flow chart of the detailed outdoor unit failure mode recall function

### Operational procedure



**NOTE:** 1. Make sure to release the failure mode recall function after it is set up, otherwise the unit cannot operate properly.  
2. If the abnormal condition is not deleted from the memory, the last abnormal condition is kept memorized.

※2. Blinking pattern when outdoor unit is abnormal:







**3. Table of outdoor unit failure mode recall function MXZ-2D**

**NOTE:** Blinking patterns of this mode differ from the ones of Troubleshooting check table (11-4).

Upper or left lamp of OPERATION INDICATOR lamp (Indoor unit)	Abnormal point (Failure mode/protection)	LED indication (Outdoor P.C. board)		Condition	Remedy	Indoor/outdoor unit failure mode recall function
		LED 1	LED 2			
OFF	None (Normal)	Not lighted	Not lighted	—	—	—
2-time f ash	Outdoor power system	Lighted	Lighted	Overcurrent protection cut-out operates 3 consecutive times within 1 minute after the compressor gets started. Compressor protection cut-out operates 24 consecutive times within 10 seconds after the compressor gets started.	<ul style="list-style-type: none"> <li>• Check the compressor connecting wire.</li> <li>• Refer to 11-6. ③ "How to check inverter/compressor".</li> <li>• Check the stop valve.</li> </ul>	○
3-time f ash	Discharge temperature thermistor	Lighted	Once	Thermistor shorts or opens during compressor running.	<ul style="list-style-type: none"> <li>• Refer to 11-6. ⑥ "Check of outdoor thermistors".</li> </ul>	○
	Defrost thermistor	Lighted	Once			○
	Ambient temperature thermistor	Lighted	Twice			○
	Fin temperature thermistor	Lighted	3 times			○
	P.C. board temperature thermistor	Lighted	4 times			○
	Outdoor heat exchanger temperature thermistor	Lighted	9 times			○
4-time f ash	Overcurrent	Once	Not lighted	The overcurrent f ows into intelligent power module.	<ul style="list-style-type: none"> <li>• Check the compressor connecting wire.</li> <li>• Refer to 11-6. ③ "How to check inverter/compressor".</li> <li>• Check the stop valve.</li> </ul>	—
	Compressor	Twice	Not lighted	The overcurrent f ows into intelligent power module within 10 seconds after the compressor gets started. ( The compressor gets restarted in 15 seconds.)	<ul style="list-style-type: none"> <li>• Check the compressor connecting wire.</li> <li>• Refer to 11-6. ③ "How to check inverter/compressor".</li> </ul>	—
		9 times	Not lighted	Waveform of compressor current is distorted.		—
5-time f ash	Discharge temperature	Lighted	Lighted	Discharge temperature exceeds 116°C during operation.	<ul style="list-style-type: none"> <li>• Check the refrigerant circuit and the refrigerant amount.</li> <li>• Refer to 11-6. ③ "Check of LEV".</li> </ul>	—
6-time f ash	High pressure	Lighted	Lighted	The outdoor heat exchanger temperature exceeds 70°C during cooling or the indoor gas pipe temperature exceeds 70°C during heating.	<ul style="list-style-type: none"> <li>• Check the refrigerant circuit and the refrigerant amount.</li> <li>• Check the stop valve.</li> </ul>	—
7-time f ash	Fin temperature	3 times	Not lighted	The f n temperature exceeds 90°C during operation.	<ul style="list-style-type: none"> <li>• Check the around outdoor unit.</li> <li>• Check the outdoor unit air passage.</li> </ul>	—
	P.C. board temperature	4 times	Not lighted	The P.C. board temperature exceeds 80°C during operation.	<ul style="list-style-type: none"> <li>• Refer to 11-6. ⑥ "Check of outdoor fan motor".</li> </ul>	—
8-time f ash	Outdoor fan motor	Lighted	Lighted	Failure occurs 3 consecutive times within 30 seconds after the fan gets started.	<ul style="list-style-type: none"> <li>• Refer to 11-6. ⑥ "Check of outdoor fan motor".</li> </ul>	—
9-time f ash	Nonvolatile memory data	Lighted	5 times	Nonvolatile memory data cannot be read properly.	<ul style="list-style-type: none"> <li>• Replace the inverter P.C. board.</li> </ul>	○
	Power module	7 times	Not lighted	The output of the power module that drove the compressor was shorted or the winding of the compressor was shorted.	<ul style="list-style-type: none"> <li>• Refer to 11-6. ③ "How to check inverter/compressor".</li> </ul>	○
10-time f ash	Discharge temperature	Lighted	Lighted	The discharge temperature is kept under 50°C (COOL mode)/40°C (HEAT mode) for more than 40 minutes.	<ul style="list-style-type: none"> <li>• Check the refrigerant circuit and the refrigerant amount.</li> <li>• Refer to 11-6. ③ "Check of LEV".</li> </ul>	—
11-time f ash	Current sensor	8 times	Not lighted	The sensor circuit of current of compressor shorts or opens during compressor operate.	<ul style="list-style-type: none"> <li>• Replace the inverter P.C. board.</li> </ul>	○
	Bus-bar voltage	6 times	Not lighted	The bus-bar voltage exceeds 430 V or falls to 50 V or below during compressor operating.	<ul style="list-style-type: none"> <li>• Check the power supply.</li> <li>• Replace the inverter P.C. board.</li> </ul>	○
14-time f ash	Stop valve	Lighted	12 times	The current of compressor is power module is out of order.	<ul style="list-style-type: none"> <li>• Check the stop valve.</li> <li>• Check the refrigerant circuit and the refrigerant amount.</li> </ul>	○
17 time f ash	Outdoor refrigerant system abnormality	Lighted	17 times	A closed valve and air trapped in the refrigerant circuit are detected based on the temperature sensed by the indoor and outdoor thermistors and the current of the compressor.	<ul style="list-style-type: none"> <li>• Check for a gas leak in a connecting piping etc.</li> <li>• Check the stop valve.</li> <li>• Refer to 11-6. ③ "Check of outdoor refrigerant circuit".</li> </ul>	○



**MXZ-3D/4D/5D**

**NOTE:** Blinking patterns of this mode differ from the ones of Troubleshooting check table (11-4).

Upper or left lamp of OPERATION INDICATOR lamp (Indoor unit)	Abnormal point (Failure mode/protection)	LED indication (Outdoor P.C. board)		Condition	Remedy	Indoor/outdoor unit failure mode recall function
		LED 1	LED 2			
OFF	None (Normal)	Lighted	Lighted	—	—	—
2-time flash	Outdoor power system	Lighted	Lighted	Overcurrent protection cut-out operates 3 consecutive times within 1 minute after the compressor gets started, or converter protection or bus-bar voltage protection cut-out operates 3 consecutive times within 3 minutes after startup.	<ul style="list-style-type: none"> <li>• Check the connection of the compressor connecting wire.</li> <li>• Refer to 11-6. Ⓒ "How to check inverter/compressor".</li> <li>• Check the stop valve.</li> </ul>	○
3-time flash	Discharge temperature thermistor	Lighted	Once	Thermistor shorts or opens during compressor running.	<ul style="list-style-type: none"> <li>• Refer to 11-6. Ⓓ "Check of outdoor thermistors".</li> </ul>	○
	Defrost thermistor	Lighted	Once			
	Ambient temperature thermistor	Lighted	Twice			
	Fin temperature thermistor	Lighted	3 times			
	P.C. board temperature thermistor	Lighted	4 times			
Outdoor heat exchanger temperature thermistor	Lighted	9 times	<ul style="list-style-type: none"> <li>• Replace the outdoor control P.C. board.</li> <li>• Refer to 11-6. Ⓓ "Check of outdoor thermistors".</li> </ul>			
4-time flash	Overcurrent	Once	Not lighted	28 A current flows into intelligent power module.	<ul style="list-style-type: none"> <li>• Reconnect compressor connector.</li> <li>• Refer to 11-6. Ⓒ "How to check inverter/compressor".</li> <li>• Check the stop valve.</li> </ul>	—
5-time flash	Discharge temperature	Lighted	Lighted	Discharge temperature exceeds 116°C during operation. Compressor can restart if discharge temperature thermistor reads 100°C or less 3 minutes later.	<ul style="list-style-type: none"> <li>• Check the refrigerant circuit and the refrigerant amount.</li> <li>• Refer to 11-6. Ⓔ "Check of LEV".</li> </ul>	—
6-time flash	High pressure	Lighted	Lighted	High pressure is detected with the high pressure switch (HPS) during operation. <b>(MXZ-3D54VA2-<sup>[E3]</sup>, <sup>[ER3]</sup>, <sup>[ET3]</sup> MXZ-3D68/4D72/4D83/5D102VA)</b>	<ul style="list-style-type: none"> <li>• Check the refrigerant circuit and the refrigerant amount.</li> <li>• Check the stop valve.</li> </ul>	—
				The outdoor heat exchanger temperature exceeds 70°C during cooling or the indoor gas pipe temperature exceeds 70°C during heating.		
7-time flash	Fin temperature	3 times	Not lighted	The fin temperature exceeds 89°C during operation.	<ul style="list-style-type: none"> <li>• Check the around outdoor unit.</li> <li>• Check the outdoor unit air passage.</li> <li>• Refer to 11-6. Ⓕ "Check of outdoor fan motor".</li> </ul>	—
	P.C. board temperature	4 times	Not lighted	The P.C. board temperature exceeds 73°C ( <b>MXZ-3D54/3D68/4D72VA MXZ-3D54VA2</b> )/ 87°C ( <b>MXZ-4D83/5D102VA</b> ) during operation.		
8-time flash	Outdoor fan motor	Lighted	Lighted	Failure occurs 3 consecutive times within 30 seconds after the fan gets started.	<ul style="list-style-type: none"> <li>• Refer to 11-6. Ⓖ "Check of outdoor fan motor".</li> </ul>	—
9-time flash	Nonvolatile memory data	Lighted	5 times	Nonvolatile memory data cannot be read properly.	<ul style="list-style-type: none"> <li>• Replace the outdoor control P.C. board.</li> </ul>	○
10-time flash	Discharge temperature	Lighted	Lighted	The frequency of the compressor is kept 80Hz or more and the discharge temperature is kept under 50°C (cooling)/40°C (heating) for more than 40 minutes.	<ul style="list-style-type: none"> <li>• Check the refrigerant circuit and the refrigerant amount.</li> <li>• Refer to 11-6. Ⓔ "Check of LEV".</li> </ul>	—

**NOTE:** Blinking patterns of this mode differ from the ones of Troubleshooting check table (11-4).

Upper or left lamp of OPERATION INDICATOR lamp (Indoor unit)	Abnormal point (Failure mode/protection)	LED indication (Outdoor P.C. board)		Condition	Remedy	Indoor/outdoor unit failure mode recall function
		LED 1	LED 2			
11-time flash	Communication error between P.C. boards	Lighted	6 times	Communication error occurs between the electronic control P.C. board and power board for more than 10 seconds.	• Check the connecting wire between the outdoor control P.C. board and the power P.C. board.	—
				The communication between boards protection cut-out operates 2 consecutive times.		○
	Current sensor	Lighted	7 times	A short or open circuit is detected in the current sensor during compressor operating.	• Replace the power P.C. board.	—
				Current sensor protection cut-out operates 2 consecutive times.		○
	Zero cross detecting circuit	5 times	Not lighted	Zero cross signal cannot be detected while the compressor is operating.	• Check the connecting wire between the control P.C. board, the noise filter P.C. board and the power P.C. board.	—
				The protection cut-out of the zero cross detecting circuit operates 10 consecutive times.		○
	Converter	5 times	Not lighted	A failure is detected in the operation of the converter during operation.	• Check the voltage of the power supply. • Replace the power P.C. board.	—
Bus-bar voltage (1)	5 times	Not lighted	The bus-bar voltage exceeds 400 V or falls to 200 V or below during compressor operating.			
Bus-bar voltage (2) * Even if this protection stop is performed continuously three times, it does not mean the abnormality in outdoor power system.	6 times	Not lighted	The bus-bar voltage exceeds 400 V ( <b>MXZ-3D54/3D68/4D72VA</b> <b>MXZ-3D54VA2</b> ) 430 V ( <b>MXZ-4D83/5D102VA</b> ) or falls to 50V or below during compressor operating.	• Check the voltage of the power supply. • Replace the outdoor control P.C. board.	—	
15-time flash	LEV and drain pump	Lighted	Lighted	The indoor unit detects an abnormality in the LEV and drain pump.	• Refer to 11-6. ©"Check of LEV". • Check the drain pump of the indoor unit.	—

**NOTE:** Blinking patterns of this mode differ from the ones of Troubleshooting check table (11-4).

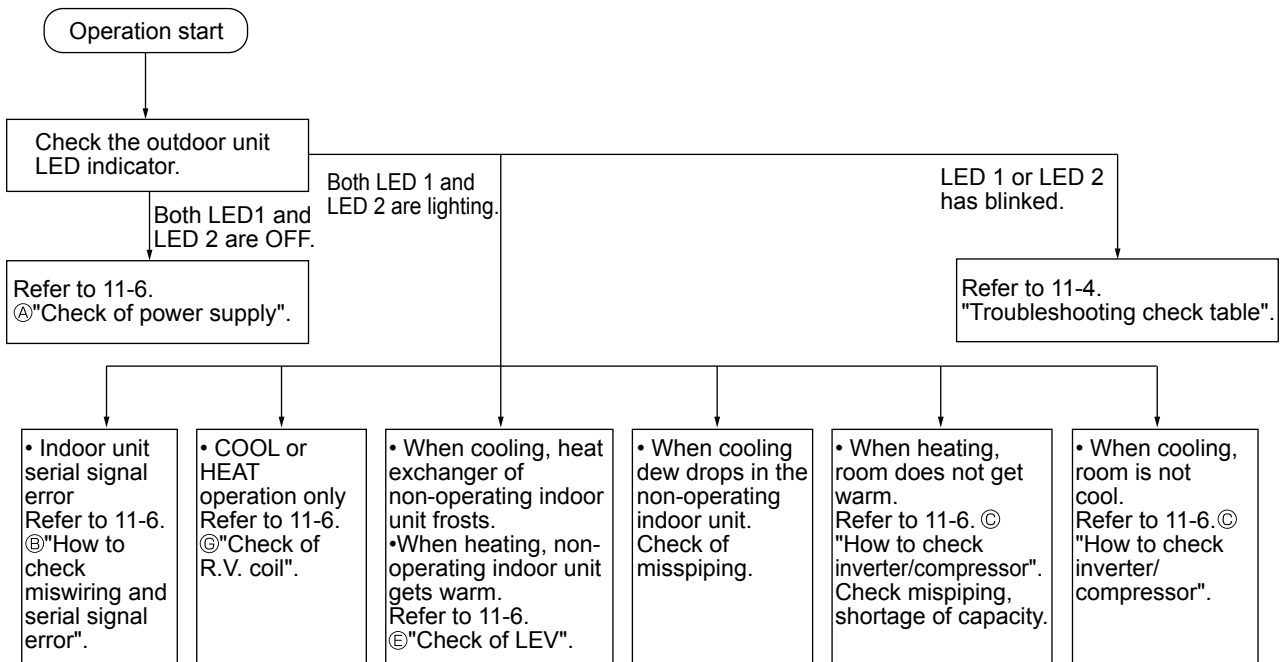
**MXZ-6D**

The left lamp of OPERATION INDICATOR lamp (Indoor unit)	Abnormal point (Failure mode/protection)	LED indication (Outdoor P.C. board)		Condition	Remedy	Indoor/outdoor unit failure mode recall function
		LED 1	LED 2			
OFF	None (Normal)	Lighted	Lighted			
2-time flash	Outdoor power system	Lighted	Lighted	Overcurrent protection cut-out operates 3 consecutive times within 1 minute after the compressor gets started, or converter protection cut-out or bus-bar voltage protection cut-out operates 3 consecutive times within 3 minutes after startup.	<ul style="list-style-type: none"> <li>Check the compressor connecting wire.</li> <li>Refer to 11-6. ④ "How to check inverter/compressor".</li> <li>Check the stop valve.</li> </ul>	○
3-time flash	Discharge temperature thermistor	Lighted	Once	A thermistor shorts or opens during compressor running.	<ul style="list-style-type: none"> <li>Refer to 11-6. ④ "Check of outdoor thermistors".</li> </ul>	○
	Defrost thermistor	Lighted	Once			
	Ambient temperature thermistor	Lighted	Twice			
	Fin temperature thermistor	Lighted	3 times			
	P.C. board temperature thermistor	Lighted	4 times			
Outdoor heat exchanger temperature thermistor	Lighted	9 times		<ul style="list-style-type: none"> <li>Replace the outdoor control P.C. board.</li> <li>Refer to 11-6. ④ "Check of outdoor thermistors".</li> </ul>		
4-time flash	Overcurrent	Once	Not lighted	28 A current flows into power module.	<ul style="list-style-type: none"> <li>Reconnect compressor connector.</li> <li>Refer to 11-6. ④ "How to check inverter/compressor".</li> <li>Check the stop valve.</li> </ul>	—
5-time flash	Discharge temperature	Lighted	Lighted	The discharge temperature exceeds 116°C during operation. Compressor can restart if discharge temperature thermistor reads 100°C or less 3 minutes later.	<ul style="list-style-type: none"> <li>Check refrigerant circuit and refrigerant amount.</li> <li>Refer to 11-6. ④ "Check of LEV".</li> </ul>	—
6-time flash	High pressure	Lighted	Lighted	The outdoor heat exchanger temperature exceeds 70°C during cooling or the indoor gas pipe temperature exceeds 70°C during heating.	<ul style="list-style-type: none"> <li>Check refrigerant circuit and refrigerant amount.</li> <li>Check the stop valve.</li> </ul>	—
7-time flash	Fin temperature	3 times	Not lighted	The fin temperature exceeds 89°C during operation.	<ul style="list-style-type: none"> <li>Check around outdoor unit.</li> <li>Check outdoor unit air passage.</li> </ul>	—
	P.C. board temperature	4 times	Not lighted	The P.C. board temperature exceeds 87°C during operation.	<ul style="list-style-type: none"> <li>Refer to 11-6. ⑤ "Check of outdoor fan motor".</li> </ul>	
8-time flash	Outdoor fan motor	Lighted	Lighted	A failure occurs 3 consecutive times within 30 seconds after the fan gets started.	<ul style="list-style-type: none"> <li>Refer to 11-6. ⑤ "Check of outdoor fan motor".</li> </ul>	—
9-time flash	Outdoor control system	Lighted	5 times	Nonvolatile memory data cannot be read properly.	<ul style="list-style-type: none"> <li>Replace the outdoor control P.C. board.</li> </ul>	○
10-time flash	Low discharge temperature protection	Lighted	Lighted	The frequency of the compressor is kept 80 Hz or more and the discharge temperature is kept under 39°C for more than 20 minutes.	<ul style="list-style-type: none"> <li>Check refrigerant circuit and refrigerant amount.</li> <li>Refer to 11-6. ④ "Check of LEV".</li> </ul>	—
11-time flash	Communication error between P.C. boards	Lighted	6 times	Communication error occurs between the outdoor control P.C. board and outdoor power P.C. board for more than 10 seconds.	<ul style="list-style-type: none"> <li>Check the connecting wire between outdoor control P.C. board and outdoor power P.C. board.</li> </ul>	—
				The communication between boards protection cut-out operates 2 consecutive times.		○
	Current sensor	Lighted	7 times	A short or open circuit is detected in the current sensor during compressor operating.	—	—
				Current sensor protection cut-out operates 2 consecutive times.		○
	Zero cross detecting circuit	5 times	Not lighted	Zero cross signal cannot be detected while the compressor is operating.	<ul style="list-style-type: none"> <li>Check the connecting wire among outdoor control P.C. board and outdoor power P.C. board.</li> </ul>	—
				The protection cut-out of the zero cross detecting circuit operates 10 consecutive times.		○
Converter	5 times	Not lighted	A failure is detected in the operation of the converter during operation.	<ul style="list-style-type: none"> <li>Check the voltage of power supply.</li> <li>Replace the outdoor power P.C. board.</li> </ul>	—	
Bus-bar voltage	5 times	Not lighted	The bus-bar voltage exceeds 400 V or falls to low level during compressor operating.	<ul style="list-style-type: none"> <li>Check the voltage of power supply.</li> <li>Replace the outdoor control P.C. board.</li> </ul>	—	
15-time flash	LEV and drain pump	Lighted	Lighted	The indoor unit detects an abnormality in the LEV and drain pump.	<ul style="list-style-type: none"> <li>Refer to 11-6. ④ "Check of LEV".</li> <li>Check the drain pump of the indoor unit.</li> </ul>	—



### 11-3. INSTRUCTION OF TROUBLESHOOTING

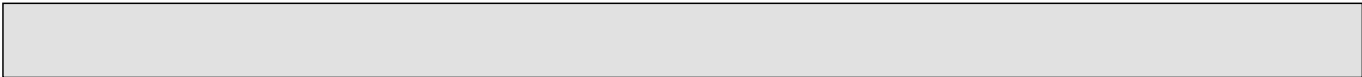
- Check the indoor unit with referring to the indoor unit service manual, and confirm that there is any problem in the indoor unit.  
Then, check the outdoor unit with referring to this page.



## 11-4. TROUBLESHOOTING CHECK TABLE

### MXZ-2D

No.	Symptom	Indication		Abnormal point / Condition	Condition	Remedy
		LED1(Red)	LED2(Yellow)			
1	Outdoor unit does not operate.	Lighted	Once	LEV and drain pump	The indoor unit detects an abnormality in the LEV and drain pump.	<ul style="list-style-type: none"> <li>Refer to 11-6. ㊦ "Check of LEV".</li> <li>Check the drain pump of the indoor unit.</li> </ul>
2		Lighted	Twice	Outdoor power system	Overcurrent protection cut-out operates 3 consecutive times within 1 minute after the compressor gets started.	<ul style="list-style-type: none"> <li>Check the connection of the compressor connecting wire.</li> <li>Refer to 11-6. ㊦ "How to check inverter/compressor".</li> <li>Check the stop valve.</li> </ul>
3		Lighted	3 times	Discharge temperature thermistor	A short circuit is detected in the thermistor during operation, or when an open circuit is detected in the thermistor after 10 minutes of compressor startup.	Refer to 11-6. ㊦ "Check of outdoor thermistors".
4		Lighted	4 times	Fin temperature thermistor	A short or open circuit is detected in the thermistor during operation.	Refer to 11-6. ㊦ "Check of outdoor thermistors".
				P.C board temperature thermistor		
5		Lighted	5 times	Ambient temperature thermistor	A short or open circuit is detected in the thermistor during operation.	Refer to 11-6. ㊦ "Check of outdoor thermistors".
				Outdoor heat exchanger temperature thermistor	A short circuit is detected in the thermistor during operation, or when an open circuit is detected in the thermistor after 5 minutes (in cooling) and 10 minutes (in heating) of compressor startup.	
				Defrost thermistor	A short circuit is detected in the thermistor during operation, or when an open circuit is detected in the thermistor after 5 minutes of compressor startup.	
6	Lighted	7 times	Nonvolatile memory data	The nonvolatile memory data cannot be read properly.	Replace the inverter P.C. board.	
7	Lighted	11 times	Stop valve Closed valve	Closed valve is detected by compressor current. <b>(MXZ-2D33VA, MXZ-2D40VA)</b>	Check the stop valve.	
8	Lighted	17 times	Outdoor refrigerant system abnormality	A closed valve and air trapped in the refrigerant circuit are detected based on the temperature sensed by the indoor and outdoor thermistors and the current of the compressor.	<ul style="list-style-type: none"> <li>Check for a gas leak in a connecting piping etc.</li> <li>Check the stop valve.</li> <li>Refer to 11-6. ㊦ "Check of outdoor refrigerant circuit".</li> </ul>	
9	'Outdoor unit stops and restarts 3 minutes later' is repeated.	Twice	Not lighted	Overcurrent	14 A (MXZ-2D33VA)/18 A (MXZ-2D40VA, MXZ-2D42VA, MXZ-2D42VA2, MXZ-2D53VA/VAH, MXZ-2D53VA2/VAH2) current flows into intelligent power module.	<ul style="list-style-type: none"> <li>Reconnect compressor connector.</li> <li>Refer to 11-6. ㊦ "How to check inverter/compressor".</li> <li>Check the stop valve.</li> </ul>
10		3 times	Not lighted	Discharge temperature protection	Discharge temperature exceeds 116°C during operation. Compressor can restart if discharge temperature thermistor reads 100°C or less 3 minutes later.	<ul style="list-style-type: none"> <li>Check the amount of gas and the refrigerant circuit.</li> <li>Refer to 11-6. ㊦ "Check of LEV".</li> </ul>
11		4 times	Not lighted	Fin temperature protection	The fin temperature exceeds 90°C during operation.	<ul style="list-style-type: none"> <li>Check the refrigerant circuit and the refrigerant amount.</li> <li>Refer to 11-6. ㊦ "Check of outdoor fan motor".</li> </ul>
				P.C. board temperature protection	The P.C. board temperature exceeds 78°C during operation.	
12		5 times	Not lighted	High pressure protection	The outdoor heat exchanger temperature exceeds 70°C during cooling or indoor gas pipe temperature exceeds 70°C during heating.	<ul style="list-style-type: none"> <li>Check the amount of gas and the refrigerant circuit.</li> <li>Check the stop valve.</li> </ul>
13		9 times	Not lighted	Bus-bar voltage protection	The bus-bar voltage exceeds 430 V or falls to 50 V or below during compressor operating.	Replace the inverter P.C. board.
14		13 times	Not lighted	Outdoor fan motor	Failure occurs 3 consecutive times within 30 seconds after the fan gets started.	Refer to 11-6. ㊦ "Check of outdoor fan motor".
15		8 times	Not lighted	Current sensor protection	A short or open circuit is detected in the current sensor during compressor operating.	Replace the inverter P.C. board.
16		10 times	Not lighted	Compressor	The compressor does not synchronize with the operating power.	<ul style="list-style-type: none"> <li>Reconnect compressor connector.</li> <li>Refer to 11-6. ㊦ "How to check inverter/compressor".</li> <li>Check the stop valve.</li> </ul>
17		Once	Lighted	Primary current protection	The input current exceeds 8 A (MXZ-2D33VA)/ 10 A (MXZ-2D40VA, MXZ-2D42VA, MXZ-2D42VA2, MXZ-2D53VA/VAH, MXZ-2D53VA2/VAH2).	<ul style="list-style-type: none"> <li>These symptoms do not mean any abnormality of the product, but check the following points.</li> <li>Check if indoor filters are clogged.</li> <li>Check if refrigerant is short.</li> <li>Check if indoor/outdoor unit air circulation is short cycled.</li> </ul>
	Secondary current protection			The current of the compressor exceeds 17 A.		
18	Twice	Lighted	High pressure protection	The indoor gas pipe temperature exceeds 45°C during heating.	<ul style="list-style-type: none"> <li>Check if indoor/outdoor unit air circulation is short cycled.</li> </ul>	
			Defrosting in cooling	The indoor gas pipe temperature falls 3°C or below during cooling.		
19	3 times	Lighted	Discharge temperature protection	The discharge temperature exceeds 100°C during operation.	<ul style="list-style-type: none"> <li>Check the refrigerant circuit and the refrigerant amount.</li> <li>Refer to 11-6. ㊦ "Check of LEV".</li> <li>Refer to 11-6. ㊦ "Check of outdoor thermistors".</li> </ul>	
20	4 times	Lighted	Low discharge temperature protection	The frequency of the compressor is kept 68 Hz (MXZ-2D33VA, MXZ-2D40VA)/80 Hz (MSZ-2D42VA, MSZ-2D42VA2, MXZ-2D53VA/VAH, MXZ-2D53VA2/VAH2) or more and the discharge temperature is kept under 50°C (COOL mode)/40°C (HEAT mode) for more than 40 minutes.	<ul style="list-style-type: none"> <li>Refer to 11-6. ㊦ "Check of LEV".</li> <li>Check the refrigerant circuit and the refrigerant amount.</li> </ul>	



No.	Symptom	Indication		Abnormal point / Condition	Condition	Remedy
		LED1(Red)	LED2(Yellow)			
21	Outdoor unit operates.	5 times	Lighted	Cooling high pressure protection	The outdoor heat exchanger temperature exceeds 58°C during operation.	This symptom does not mean any abnormality of the product, but check the following points. <ul style="list-style-type: none"> <li>• Check if indoor filters are clogged.</li> <li>• Check if refrigerant is short.</li> <li>• Check if indoor/outdoor unit air circulation is short cycled.</li> </ul>
22		8 times	Lighted	Converter protection	A failure is detected in the operation of the converter during operation.	<ul style="list-style-type: none"> <li>• Check the voltage of power supply.</li> <li>• Replace the inverter P.C. board.</li> </ul>
23	Outdoor unit operates normally.	9 times	Lighted	Inverter check mode	The connector of compressor is disconnected. Inverter check mode starts.	—
24		Lighted	Lighted	Normal	—	—

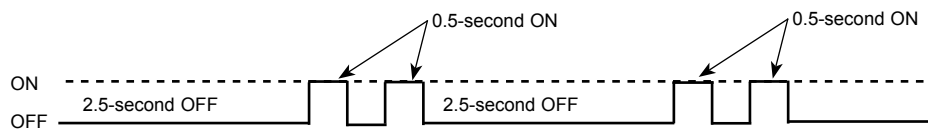
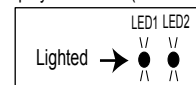
**NOTE:** 1. The location of LED is illustrated at the right figure. Refer to 11-7.4.

2. LED is lighted during normal operation.

The flashing frequency shows the number of times the LED blinks after every 2.5-second OFF.

(Example) The flashing frequency is "2".

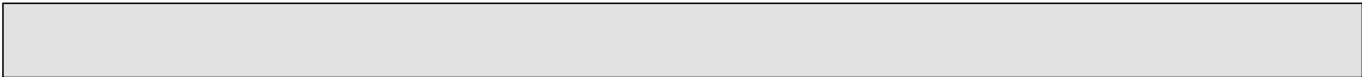
Outdoor display P.C. board (Parts side)



## MXZ-3D/4D/5D

No.	Symptom	Indication		Abnormal point / Condition	Condition	Remedy
		LED1(Red)	LED2(Yellow)			
1	Outdoor unit does not operate.	Lighted	Once	LEV and drain pump	The indoor unit detects an abnormality in the LEV and drain pump.	<ul style="list-style-type: none"> <li>Refer to 11-6. ⑥ "Check of LEV".</li> <li>Check the drain pump of the indoor unit.</li> </ul>
2		Lighted	Twice	Outdoor power system	Overcurrent protection cut-out operates 3 consecutive times within 1 minute after the compressor gets started, or converter protection or bus-bar voltage protection cut-out operates 3 consecutive times within 3 minutes after startup.	<ul style="list-style-type: none"> <li>Check the connection of the compressor connecting wire.</li> <li>Refer to 11-6. ⑥ "How to check inverter/compressor".</li> <li>Check the stop valve.</li> </ul>
3		Lighted	3 times	Discharge temperature thermistor	A short circuit is detected in the thermistor during operation, or an open circuit is detected in the thermistor 10 minutes after compressor startup.	Refer to 11-6. ⑥ "Check of outdoor thermistors".
4		Lighted	4 times	Fin temperature thermistor	A short or open circuit is detected in the thermistor during operation.	Refer to 11-6. ⑥ "Check of outdoor thermistors".
				P.C board temperature thermistor		Replace the outdoor control P.C. board.
5		Lighted	5 times	Ambient temperature thermistor	A short or open circuit is detected in the thermistor during operation.	Refer to 11-6. ⑥ "Check of outdoor thermistors".
				Outdoor heat exchanger temperature thermistor	A short circuit is detected in the thermistor during operation, or an open circuit is detected in the thermistor 5 minutes (in cooling) and 10 minutes (in heating) after compressor startup.	
				Defrost thermistor	A short circuit is detected in the thermistor during operation, or an open circuit is detected in the thermistor 5 minutes after compressor startup.	
6		Lighted	7 times	Nonvolatile memory data	The nonvolatile memory data cannot be read properly.	Replace the outdoor control P.C. board.
7	Lighted	8 times	Current sensor	Current sensor protection cut-out operates 2 consecutive times.	Replace the power P.C. board.	
8	Lighted	11 times	Communication error between P.C. boards	Communication error occurs twice between the outdoor control P.C. board and the power P.C. board for more than 10 seconds.	Check the connecting wire between the outdoor control P.C. board and the power P.C. board.	
9	Lighted	12 times	Zero cross detecting circuit	The protection cut-out of the zero cross detecting circuit operates 10 consecutive times.	Check the connecting wire between the outdoor control P.C. board, the noise filter P.C. board and the power P.C. board.	
10	'Outdoor unit stops and restarts 3 minutes later' is repeated.	Twice	Not lighted	IPM protection	Overcurrent is detected 30 seconds after compressor startup.	<ul style="list-style-type: none"> <li>Reconnect compressor connector.</li> <li>Refer to 11-6. ⑥ "How to check inverter/compressor".</li> <li>Check the stop valve.</li> <li>Check the power module (PAM module).</li> </ul>
				Lock protection	Overcurrent is detected within 30 seconds after compressor startup.	
11		3 times	Not lighted	Discharge temperature protection	Discharge temperature exceeds 116°C during operation. Compressor can restart if discharge temperature thermistor reads 100°C or less 3 minutes later.	<ul style="list-style-type: none"> <li>Check the amount of gas and the refrigerant circuit.</li> <li>Refer to 11-6. ⑥ "Check of LEV".</li> </ul>
12		4 times	Not lighted	Fin temperature protection	The fin temperature exceeds 89°C during operation.	Check the refrigerant circuit and the refrigerant amount.
				P.C. board temperature protection	The P.C. board temperature exceeds 73°C (MXZ-3D54/3D68/4D72VA, MXZ-3D54VA2)/87°C (MXZ-4D83/5D102VA) during operation.	Refer to 11-6. ⑥ "Check of outdoor fan motor".
13		5 times	Not lighted	High pressure protection	High-pressure is detected with the high pressure switch (HPS) during operation. (MXZ-3D68/4D72/4D83/5D102VA) The outdoor heat exchanger temperature exceeds 70°C during cooling or indoor gas pipe temperature exceeds 70°C during heating.	<ul style="list-style-type: none"> <li>Check the amount of gas and the refrigerant circuit.</li> <li>Check the stop valve.</li> </ul>
		6 times	Not lighted	Pre-heat protection	A failure is detected in the operation of pre-heat. (MXZ-3D54/3D68/4D72VA, MXZ-3D54VA2)	Replace the power P.C. board.
14		8 times	Not lighted	Converter protection	A failure is detected in the operation of the converter during operation.	Replace the power P.C. board.
15		9 times	Not lighted	Bus-bar voltage protection (1)	The bus-bar voltage falls to 200 V or below during compressor operating.	<ul style="list-style-type: none"> <li>Check the voltage of power supply.</li> <li>Replace the power P.C. board or the outdoor control P.C. board.</li> </ul>
				Bus-bar voltage protection (2)	The bus-bar voltage exceeds 400 V (MXZ-3D54/3D68/4D72VA, MXZ-3D54VA2)/430 V (MXZ-4D83/5D102VA) or falls to 50 V or below while the compressor is operating.	Refer to 11-6. ① "Check of bus-bar voltage".
16		13 times	Not lighted	Outdoor fan motor	Failure occurs 3 consecutive times within 30 seconds after the fan gets started.	Refer to 11-6. ⑥ "Check of outdoor fan motor".
17		Lighted	8 times	Current sensor protection	A short or open circuit is detected in the current sensor while the compressor is operating.	Replace the power P.C. board.
18		Lighted	11 times	Communication protection between P.C. boards	Communication error occurs between the outdoor control P.C. board and the power P.C. board for more than 10 seconds.	Check the connecting wire between the outdoor control P.C. board and the power P.C. board.
19		Lighted	12 times	Zero cross detecting circuit protection	Zero cross signal cannot be detected while the compressor is operating.	Check the connecting wire between the outdoor control P.C. board, the noise filter P.C. board and the power P.C. board.

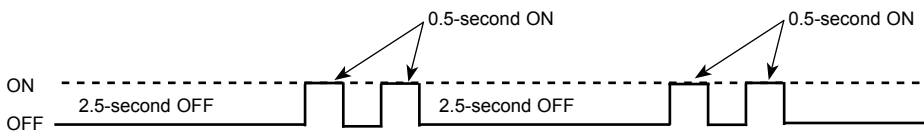




No.	Symptom	Indication		Abnormal point / Condition	Condition	Remedy
		LED1(Red)	LED2(Yellow)			
20	Outdoor unit operates.	Once	Lighted	Primary current protection	The primary current exceeds 15 A (MXZ-3D54/3D68/4D72VA, MXZ-3D54VA2)/17 A (MXZ-4D83VA)/18 A (MXZ-5D102VA).	These symptoms do not mean any abnormality of the product, but check the following points. • Check the indoor filters are not clogged. • Check there is sufficient refrigerant. • Check the indoor/outdoor unit air circulation is not short cycling.
				Secondary current protection		
21	Twice	Lighted	High pressure protection	The indoor gas pipe temperature exceeds 45°C during heating.		
			Defrosting in cooling	The indoor gas pipe temperature falls 3°C or below during cooling.		
22	3 times	Lighted	Discharge temperature protection	The discharge temperature exceeds 100°C during operation.	• Check the refrigerant circuit and the refrigerant amount. • Refer to 11-6. Ⓔ "Check of LEV". • Refer to 11-6. Ⓕ "Check of outdoor thermistors".	
23	4 times	Lighted	Low discharge temperature protection	The frequency of the compressor is kept 80 Hz or more and the discharge temperature is kept under 50°C (cooling) /40°C (heating) for more than 40 minutes.	• Refer to 11-6. Ⓔ "Check of LEV". • Check the refrigerant circuit and the refrigerant amount.	
24	5 times	Lighted	Cooling high pressure protection	The outdoor heat exchanger temperature exceeds 58°C during operation.	This symptom does not mean any abnormality of the product, but check the following points. • Check the indoor filters are not clogged. • Check there is sufficient refrigerant. • Check the indoor/outdoor unit air circulation is not short cycling.	
25	Outdoor unit operates normally.	9 times	Lighted	Inverter check mode	The unit is operated with emergency operation switch.	—
26		Lighted	Lighted	Normal	—	—

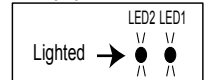
**NOTE:** 1. The location of LED is illustrated at the right figure. Refer to 11-7.2.  
2. LED is lighted during normal operation.

The flashing frequency shows the number of times the LED blinks after every 2.5-second OFF.  
(Example) The flashing frequency is "2".

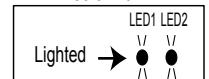


Outdoor control P.C. board(Parts side)

**MXZ-3D54/3D68/4D72VA**  
**MXZ-3D54VA2**



**MXZ-4D83/5D102VA**



**MXZ-6D**

No.	Symptom	Indication		Abnormal point / Condition	Condition	Remedy
		LED1(Red)	LED2(Yellow)			
1	Outdoor unit does not operate.	Lighted	Once	LEV and drain pump	The indoor unit detects an abnormality in the LEV and drain pump.	<ul style="list-style-type: none"> <li>Refer to 11-6. Ⓔ "Check of LEV".</li> <li>Check the drain pump of the indoor unit.</li> </ul>
2		Lighted	Twice	Outdoor power system	Overcurrent protection cut-out operates 3 consecutive times within 1 minute after the compressor gets started, or converter protection cut-out or bus-bar voltage protection cut-out operates 3 consecutive times within 3 minutes after startup.	<ul style="list-style-type: none"> <li>Check the connection of the compressor connecting wire.</li> <li>Refer to 11-6. Ⓒ "How to check inverter/compressor".</li> <li>Check the stop valve.</li> </ul>
3		Lighted	3 times	Discharge temperature thermistor	A short circuit is detected in the thermistor during operation, or an open circuit is detected in the thermistor after 10 minutes of compressor startup.	<ul style="list-style-type: none"> <li>Refer to 11-6. Ⓓ "Check of outdoor thermistors".</li> </ul>
4		Lighted	4 times	Fin temperature thermistor P. C. board temperature thermistor	A short or open circuit is detected in the thermistor during operation.	<ul style="list-style-type: none"> <li>Refer to 11-6. Ⓓ "Check of outdoor thermistors".</li> <li>Replace the outdoor control P.C. board.</li> </ul>
5		Lighted	5 times	Ambient temperature thermistor Outdoor heat exchanger temperature thermistor Defrost thermistor	A short or open circuit is detected in the thermistor during operation. A short circuit is detected in the thermistor during operation, or an open circuit is detected in the thermistor after 5 minutes (in cooling) and 10 minutes (in heating) of compressor startup. A short circuit is detected in the thermistor during operation, or an open circuit is detected in the thermistor after 5 minutes of compressor startup.	<ul style="list-style-type: none"> <li>Refer to 11-6. Ⓓ "Check of outdoor thermistors".</li> </ul>
6		Lighted	6 times	Zero cross detecting circuit (outdoor control P.C. board)	Zero cross signal can not be detected.	<ul style="list-style-type: none"> <li>Replace the outdoor control P.C. board.</li> </ul>
7		Lighted	7 times	Outdoor control system	The nonvolatile memory data cannot be read properly.	<ul style="list-style-type: none"> <li>Replace the outdoor control P.C. board.</li> </ul>
8		Lighted	8 times	Current sensor	Current sensor protection cut-out operates 2 consecutive times.	<ul style="list-style-type: none"> <li>Replace the outdoor power P.C. board.</li> </ul>
9		Lighted	11 times	Communication error between P.C. boards M-NET communication error	The communication protection cut-out between boards operates 2 consecutive times. M-NET adapter P.C. board detects an abnormality in the communication error.	<ul style="list-style-type: none"> <li>Check the connecting wire between outdoor control P.C. board and outdoor power P.C. board.</li> <li>Check the connecting wire between M-NET adapter P.C. board and outdoor control P.C. board, or terminal bed.</li> </ul>
10		Lighted	12 times	Zero cross detecting circuit (outdoor power P.C. board)	The protection cut-out of the zero cross detecting circuit operates 10 consecutive times.	<ul style="list-style-type: none"> <li>Replace the outdoor power P.C. board.</li> </ul>
11		Lighted	13 times	Current sensor	A short or open circuit is detected in the input current detection circuit during operation.	<ul style="list-style-type: none"> <li>Replace the outdoor power P.C. board.</li> </ul>
12		Lighted	14 times	Voltage sensor	A short or open circuit is detected in the input voltage detection circuit during operation.	<ul style="list-style-type: none"> <li>Replace the outdoor power P.C. board.</li> </ul>
13		Lighted	15 times	Relay operation	No relay operation is detected during operation.	<ul style="list-style-type: none"> <li>Replace the outdoor power P.C. board.</li> </ul>
14	'Outdoor unit stops and restarts 3 minutes later' is repeated.	Twice	Not lighted	IPM protection	Overcurrent is detected after 30 seconds of compressor startup.	<ul style="list-style-type: none"> <li>Reconnect compressor connector.</li> <li>Refer to 11-6. Ⓒ "How to check inverter/compressor".</li> </ul>
15				Lock protection	Overcurrent is detected within 30 seconds of compressor startup.	<ul style="list-style-type: none"> <li>Check the stop valve.</li> <li>Check the power module (PAM module).</li> </ul>
16		3 times	Not lighted	Discharge temperature protection	The discharge temperature exceeds 116°C during operation. Compressor can restart if discharge temperature thermistor reads 100°C or less 3 minutes later.	<ul style="list-style-type: none"> <li>Check the amount of gas and refrigerant circuit.</li> <li>Refer to 11-6. Ⓔ "Check of LEV".</li> </ul>
17		4 times	Not lighted	Fin temperature protection	The fin temperature exceeds during operation.	<ul style="list-style-type: none"> <li>Check refrigerant circuit and refrigerant amount.</li> </ul>
				P.C. board temperature protection	The P.C. board temperature exceeds during operation.	<ul style="list-style-type: none"> <li>Refer to 11-6. Ⓔ "Check of outdoor fan motor".</li> </ul>
18		5 times	Not lighted	High pressure protection	High pressure is detected with the high pressure switch (HPS) during operation.	<ul style="list-style-type: none"> <li>Check around of gas and the refrigerant circuit.</li> <li>Check the stop valve.</li> </ul>
					The outdoor heat exchanger temperature exceeds 70°C during cooling or the indoor gas pipe temperature exceeds 70°C during heating.	
19		6 times	Not lighted	Pre-heating protection	Overcurrent is detected during pre-heating.	<ul style="list-style-type: none"> <li>Reconnect compressor connector.</li> <li>Refer to 11-6. Ⓒ "How to check inverter/compressor".</li> <li>Check the power module.</li> </ul>
20		8 times	Not lighted	Converter protection	A failure is detected in the operation of the converter during operation.	<ul style="list-style-type: none"> <li>Replace the outdoor power P.C. board.</li> </ul>
20	9 times	Not lighted	Bus-bar voltage protection	The bus-bar voltage exceeds 400 V or falls to low level during compressor operating.	<ul style="list-style-type: none"> <li>Check the voltage of power supply.</li> <li>Replace the outdoor power P.C. board or the outdoor control P.C. board.</li> <li>Refer to 11-6. Ⓐ "Check of bus-bar voltage".</li> </ul>	



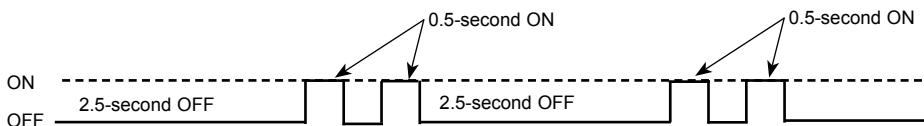
No.	Symptom	Indication		Abnormal point / Condition	Condition	Remedy	
		LED1(Red)	LED2(Yellow)				
21	'Outdoor unit stops and restarts 3 minutes later' is repeated.	13 times	Not lighted	Outdoor fan motor	A failure occurs 3 consecutive times within 30 seconds after the fan gets started.	• Refer to 11-6. Ⓒ "Check of outdoor fan motor".	
22		Lighted	8 times	Current sensor protection	A short or open circuit is detected in the current sensor during compressor operating.	• Replace the outdoor power P.C. board.	
23		Lighted	11 times	Communication between P.C. boards protection	Communication error occurs between the outdoor control P.C. board and outdoor power P.C. board for more than 10 seconds.	• Check the connecting wire between outdoor control P.C. board and outdoor power P.C. board.	
24		Lighted	12 times	Zero cross detecting circuit (outdoor power P.C. board)	Zero cross signal cannot be detected while the compressor is operating.	• Replace the outdoor power P.C. board.	
25	Outdoor unit operates.	Once	Lighted	Primary current protection	The input current exceeds 15 A.	These symptoms do not mean any abnormality of the product, but check the following points. • Check if indoor filters are clogged. • Check if refrigerant is short. • Check if indoor/outdoor unit air circulation is short cycled.	
26		Twice	Lighted	High pressure protection	The indoor gas pipe temperature exceeds 45°C during heating.		
27				Defrosting in cooling	The indoor gas pipe temperature falls 3°C or below during cooling.		
27		3 times	Lighted	Discharge temperature protection	The frequency of the compressor is kept 80 Hz or more and the discharge temperature is kept under 50°C(COOL mode)/40°C(HEAT mode) for more than 40 minutes.		• Check refrigerant circuit and refrigerant amount. • Refer to 11-6. Ⓒ "Check of LEV". • Refer to 11-6. Ⓓ "Check of outdoor thermistors".
28		4 times	Lighted	Low discharge temperature protection	The frequency of the compressor is kept 80 Hz or more and the discharge temperature is kept under 39°C for more than 20 minutes.		• Refer to 11-6. Ⓒ "Check of LEV". • Check refrigerant circuit and refrigerant amount.
29		5 times	Lighted	Cooling high pressure protection	The outdoor heat exchanger temperature exceeds 58°C during operation.		This symptom does not mean any abnormality of the product, but check the following points. • Check if indoor filters are clogged. • Check if refrigerant is short. • Check if indoor/outdoor unit air circulation is short cycled.
30	7 times	Lighted	High → Low Pressure bypass valve Cooling evaporating temperature drop prevention control	During cooling operation, the temperature of indoor heat exchanger becomes 3°C or less within 1 hour after the compressor starts running, or it becomes less than 12°C - 16°C* later than that. * It depends on the difference between the set temperature and the room temperature.	This symptom does not mean any abnormality of the product, but check the following points. • Check the indoor filters are not clogged. • Check there is sufficient refrigerant. • Check the indoor/outdoor unit air circulation is not short cycled.		
31	Outdoor unit operates normally.	7 times	Lighted	High → Low pressure bypass valve High pressure protection control at startup of heating operation	The room temperature is 24°C or more when 1 or 2 unit(s) start(s) the heating operation.	This symptom does not mean any abnormality of the product.	
32				High → Low pressure bypass valve Compressor oil tempering control at startup of heating operation	Both the following are true: • The outside temperature is -2°C or less when the heating operation is started. • [(Discharge temperature) - (Indoor heat exchanger temperature)] < 5°C		
33				8 times	Lighted		Cooling evaporating temperature protection
34		Lighted	Lighted	Normal	—	—	

NOTE 1. The location of LED is illustrated at the right figure. Refer to 11-7.2.

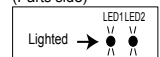
2. LED is lighted during normal operation.

The flashing frequency shows the number of times the LED blinks after every 2.5-second OFF.

(Example) When the flashing frequency is "2".

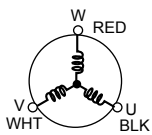
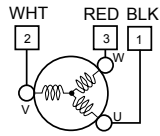
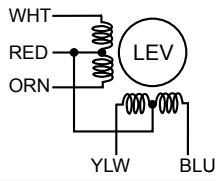


Outdoor control P.C. board (Parts side)



11-5. TROUBLE CRITERION OF MAIN PARTS

**MXZ-2D33VA MXZ-2D40VA MXZ-2D42VA MXZ-2D42VA2 MXZ-2D53VA**  
**MXZ-2D53VA2 MXZ-2D53VAH MXZ-2D53VAH2 MXZ-3D54VA MXZ-3D54VA2**  
**MXZ-3D68VA MXZ-4D72VA MXZ-4D83VA MXZ-5D102VA MXZ-6D122VA**

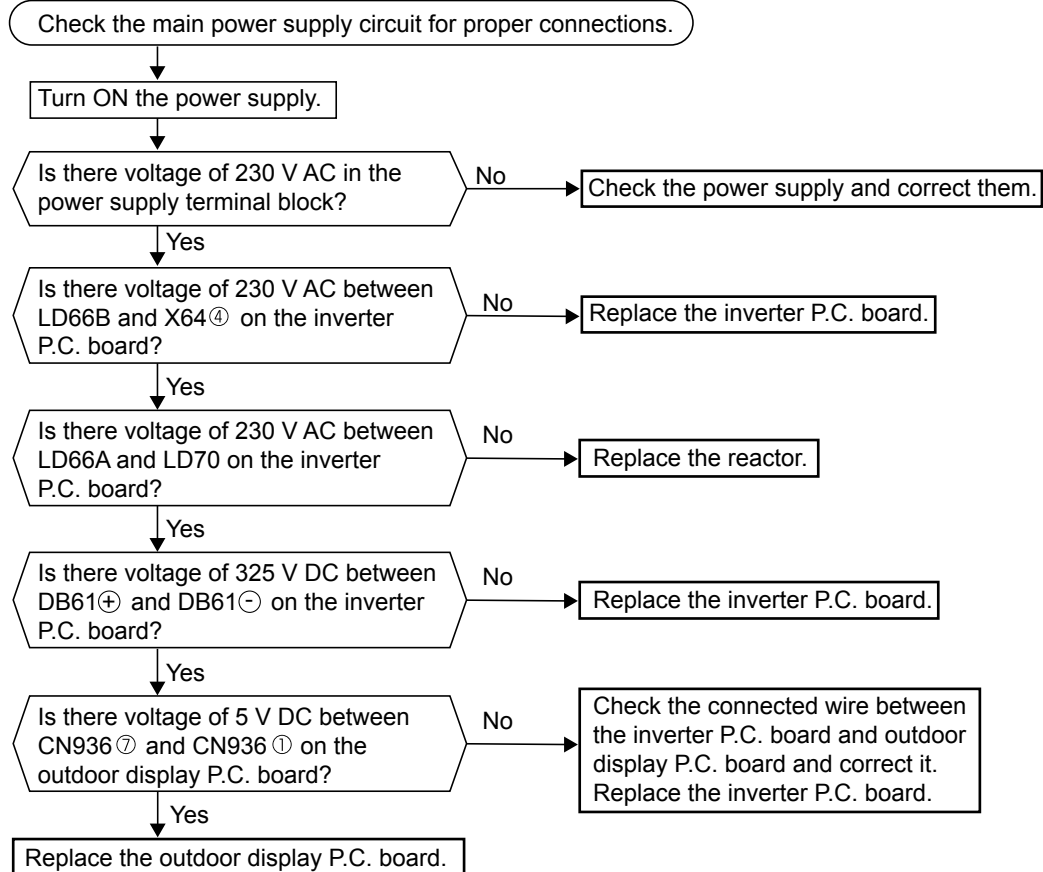
Part name	Check method and criterion																														
Defrost thermistor (RT61) Fin temperature thermistor (RT64) Ambient temperature thermistor (RT65) Outdoor heat exchanger temperature thermistor (RT68)	Measure the resistance with a tester. Refer to 11-7. "TEST POINT DIAGRAM AND VOLTAGE" 1. "Inverter P.C. board", 2. "Outdoor control P.C. board" or 3. "Outdoor power P.C. board" for the chart of thermistor.																														
Discharge temperature thermistor (RT62)	Measure the resistance with a tester. Before measurement, hold the thermistor with your hands to warm it up. Refer to 11-7. "TEST POINT DIAGRAM AND VOLTAGE" 1. "Inverter P.C. board", 2. "Outdoor control P.C. board", for the chart of thermistor.																														
Compressor 	Measure the resistance between terminals with a tester. (Winding temperature : -10°C - 40°C) <table border="1" style="width: 100%; text-align: center;"> <thead> <tr> <th colspan="6">Normal (Each phase)</th> </tr> <tr> <th>MXZ-2D33VA MXZ-2D40VA</th> <th>MXZ-2D42VA MXZ-2D42VA2 MXZ-2D53VA MXZ-2D53VA2 MXZ-3D54VA MXZ-3D54VA2</th> <th>MXZ-2D53VAH MXZ-2D53VAH2</th> <th>MXZ-3D68VA MXZ-4D72VA</th> <th>MXZ-4D83VA MXZ-5D102VA</th> <th>MXZ-6D122VA</th> </tr> </thead> <tbody> <tr> <td>1.49 Ω - 1.84 Ω</td> <td>0.86 Ω - 1.06 Ω</td> <td></td> <td>0.63 Ω - 0.78 Ω</td> <td>1.29 Ω - 1.49 Ω</td> <td>0.77 Ω - 0.95 Ω</td> </tr> </tbody> </table>	Normal (Each phase)						MXZ-2D33VA MXZ-2D40VA	MXZ-2D42VA MXZ-2D42VA2 MXZ-2D53VA MXZ-2D53VA2 MXZ-3D54VA MXZ-3D54VA2	MXZ-2D53VAH MXZ-2D53VAH2	MXZ-3D68VA MXZ-4D72VA	MXZ-4D83VA MXZ-5D102VA	MXZ-6D122VA	1.49 Ω - 1.84 Ω	0.86 Ω - 1.06 Ω		0.63 Ω - 0.78 Ω	1.29 Ω - 1.49 Ω	0.77 Ω - 0.95 Ω												
Normal (Each phase)																															
MXZ-2D33VA MXZ-2D40VA	MXZ-2D42VA MXZ-2D42VA2 MXZ-2D53VA MXZ-2D53VA2 MXZ-3D54VA MXZ-3D54VA2	MXZ-2D53VAH MXZ-2D53VAH2	MXZ-3D68VA MXZ-4D72VA	MXZ-4D83VA MXZ-5D102VA	MXZ-6D122VA																										
1.49 Ω - 1.84 Ω	0.86 Ω - 1.06 Ω		0.63 Ω - 0.78 Ω	1.29 Ω - 1.49 Ω	0.77 Ω - 0.95 Ω																										
Outdoor fan motor  MXZ-2D33VA/40VA/42VA/42VA2/53VA MXZ-2D53VA2/2D53VAH/2D53VAH2 MXZ-4D83VA/5D102VA	Measure the resistance between lead wires with a tester. (Part temperature : -10°C - 40°C) <table border="1" style="width: 100%; text-align: center;"> <thead> <tr> <th colspan="2">Normal (Each phase)</th> </tr> <tr> <th>MXZ-2D</th> <th>MXZ-4D83VA MXZ-5D102VA</th> </tr> </thead> <tbody> <tr> <td>12 Ω - 16 Ω</td> <td>13.4 Ω - 16.4 Ω</td> </tr> </tbody> </table>	Normal (Each phase)		MXZ-2D	MXZ-4D83VA MXZ-5D102VA	12 Ω - 16 Ω	13.4 Ω - 16.4 Ω																								
Normal (Each phase)																															
MXZ-2D	MXZ-4D83VA MXZ-5D102VA																														
12 Ω - 16 Ω	13.4 Ω - 16.4 Ω																														
Outdoor fan motor MXZ-3D54VA/3D54VA2/3D68VA/4D72VA/6D122VA	Refer to 11-6. ㉔.																														
R.V. coil	Measure the resistance with a tester. (Part temperature : -10°C - 40°C) <table border="1" style="width: 100%; text-align: center;"> <thead> <tr> <th colspan="3">Normal</th> </tr> </thead> <tbody> <tr> <td>MXZ-2D33VA MXZ-2D40VA MXZ-2D42VA MXZ-2D42VA2 MXZ-2D53VA MXZ-2D53VA2 MXZ-4D83VA MXZ-5D102VA</td> <td>MXZ-3D54VA MXZ-3D54VA2 MXZ-3D68VA MXZ-4D72VA</td> <td>MXZ-6D122VA</td> </tr> <tr> <td>1.2 kΩ - 1.56 kΩ</td> <td>1.26 kΩ - 1.62 kΩ</td> <td>1.24 kΩ - 1.86 kΩ</td> </tr> </tbody> </table>	Normal			MXZ-2D33VA MXZ-2D40VA MXZ-2D42VA MXZ-2D42VA2 MXZ-2D53VA MXZ-2D53VA2 MXZ-4D83VA MXZ-5D102VA	MXZ-3D54VA MXZ-3D54VA2 MXZ-3D68VA MXZ-4D72VA	MXZ-6D122VA	1.2 kΩ - 1.56 kΩ	1.26 kΩ - 1.62 kΩ	1.24 kΩ - 1.86 kΩ																					
Normal																															
MXZ-2D33VA MXZ-2D40VA MXZ-2D42VA MXZ-2D42VA2 MXZ-2D53VA MXZ-2D53VA2 MXZ-4D83VA MXZ-5D102VA	MXZ-3D54VA MXZ-3D54VA2 MXZ-3D68VA MXZ-4D72VA	MXZ-6D122VA																													
1.2 kΩ - 1.56 kΩ	1.26 kΩ - 1.62 kΩ	1.24 kΩ - 1.86 kΩ																													
Linear expansion valve 	Measure the resistance with a tester. (Part temperature : -10°C - 40°C) <table border="1" style="width: 100%; text-align: center;"> <thead> <tr> <th>Color of lead wire</th> <th>Normal</th> </tr> </thead> <tbody> <tr> <td>WHT - RED</td> <td rowspan="4">37.4 Ω - 53.9 Ω</td> </tr> <tr> <td>RED - ORN</td> </tr> <tr> <td>YLW - RED</td> </tr> <tr> <td>RED - BLU</td> </tr> </tbody> </table>	Color of lead wire	Normal	WHT - RED	37.4 Ω - 53.9 Ω	RED - ORN	YLW - RED	RED - BLU																							
Color of lead wire	Normal																														
WHT - RED	37.4 Ω - 53.9 Ω																														
RED - ORN																															
YLW - RED																															
RED - BLU																															
High pressure switch (HPS) MXZ-3D54VA2- <sup>[E3]</sup> , <sup>[ER3]</sup> , <sup>[ET3]</sup> MXZ-3D68VA/4D72VA MXZ-4D83VA/5D102VA MXZ-6D122VA	<table border="1" style="width: 100%; text-align: center;"> <thead> <tr> <th colspan="4">Pressure</th> </tr> </thead> <tbody> <tr> <td rowspan="4">HPS</td> <td>MXZ-3D54VA2-<sup>[E3]</sup>, <sup>[ER3]</sup>, <sup>[ET3]</sup></td> <td>MXZ-3D68VA-<sup>[E1]</sup>, <sup>[E2]</sup>, <sup>[ER2]</sup>, <sup>[ET2]</sup></td> <td>MXZ-6D122VA</td> <td rowspan="2">Normal</td> </tr> <tr> <td>MXZ-3D68VA-<sup>[E3]</sup>, <sup>[ER3]</sup>, <sup>[ET3]</sup></td> <td>MXZ-4D72VA-<sup>[E1]</sup>, <sup>[E2]</sup>, <sup>[ER2]</sup>, <sup>[ET2]</sup></td> <td></td> </tr> <tr> <td></td> <td>MXZ-4D72VA-<sup>[E3]</sup>, <sup>[ER3]</sup>, <sup>[ET3]</sup></td> <td>MXZ-4D83VA/5D102VA</td> <td></td> </tr> <tr> <td></td> <td></td> <td></td> <td></td> </tr> <tr> <td></td> <td>3.43 ± 0.15 MPa</td> <td>3.7 ± 0.3 MPa</td> <td>3.43 ± 0.15 MPa</td> <td>Close</td> </tr> <tr> <td></td> <td>4.41 ± 0.1 MPa</td> <td>4.8 ± 0.2 MPa</td> <td>4.41 ± 0.1 MPa</td> <td>Open</td> </tr> </tbody> </table>	Pressure				HPS	MXZ-3D54VA2- <sup>[E3]</sup> , <sup>[ER3]</sup> , <sup>[ET3]</sup>	MXZ-3D68VA- <sup>[E1]</sup> , <sup>[E2]</sup> , <sup>[ER2]</sup> , <sup>[ET2]</sup>	MXZ-6D122VA	Normal	MXZ-3D68VA- <sup>[E3]</sup> , <sup>[ER3]</sup> , <sup>[ET3]</sup>	MXZ-4D72VA- <sup>[E1]</sup> , <sup>[E2]</sup> , <sup>[ER2]</sup> , <sup>[ET2]</sup>			MXZ-4D72VA- <sup>[E3]</sup> , <sup>[ER3]</sup> , <sup>[ET3]</sup>	MXZ-4D83VA/5D102VA							3.43 ± 0.15 MPa	3.7 ± 0.3 MPa	3.43 ± 0.15 MPa	Close		4.41 ± 0.1 MPa	4.8 ± 0.2 MPa	4.41 ± 0.1 MPa	Open
Pressure																															
HPS	MXZ-3D54VA2- <sup>[E3]</sup> , <sup>[ER3]</sup> , <sup>[ET3]</sup>	MXZ-3D68VA- <sup>[E1]</sup> , <sup>[E2]</sup> , <sup>[ER2]</sup> , <sup>[ET2]</sup>	MXZ-6D122VA	Normal																											
	MXZ-3D68VA- <sup>[E3]</sup> , <sup>[ER3]</sup> , <sup>[ET3]</sup>	MXZ-4D72VA- <sup>[E1]</sup> , <sup>[E2]</sup> , <sup>[ER2]</sup> , <sup>[ET2]</sup>																													
		MXZ-4D72VA- <sup>[E3]</sup> , <sup>[ER3]</sup> , <sup>[ET3]</sup>	MXZ-4D83VA/5D102VA																												
	3.43 ± 0.15 MPa	3.7 ± 0.3 MPa	3.43 ± 0.15 MPa	Close																											
	4.41 ± 0.1 MPa	4.8 ± 0.2 MPa	4.41 ± 0.1 MPa	Open																											
Defrost heater MXZ-2D53VAH/53VAH2	Measure the resistance with a tester. (Part temperature : -10°C - 40°C) <table border="1" style="width: 100%; text-align: center;"> <thead> <tr> <th>Normal</th> </tr> </thead> <tbody> <tr> <td>349 Ω - 428 Ω</td> </tr> </tbody> </table>	Normal	349 Ω - 428 Ω																												
Normal																															
349 Ω - 428 Ω																															

## 11-6. TROUBLESHOOTING FLOW

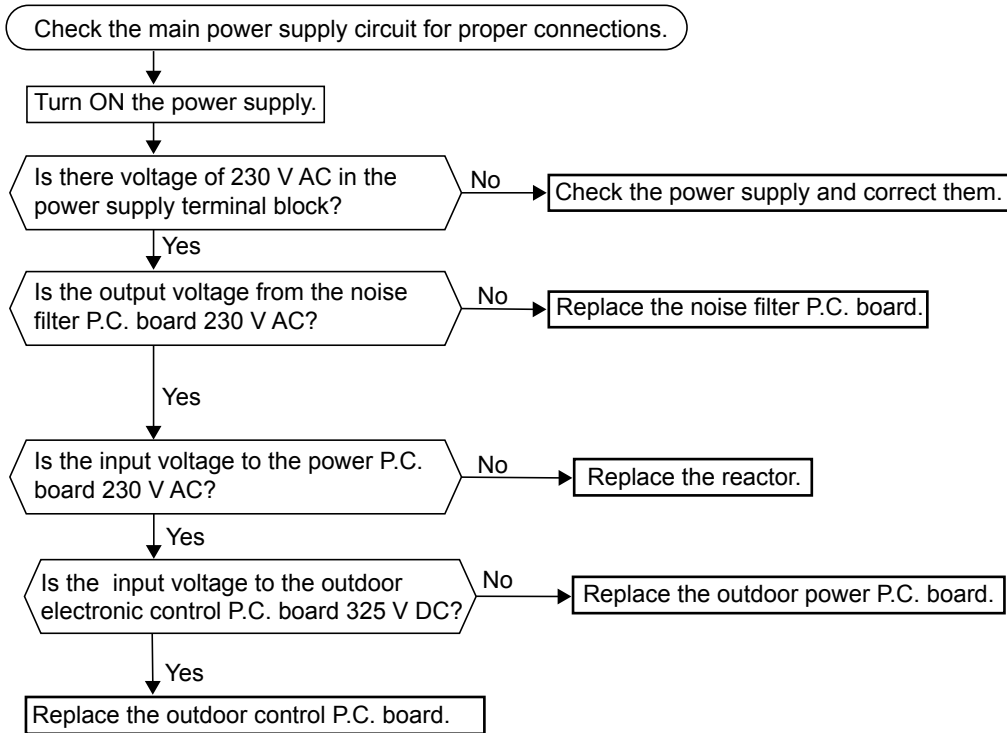
- When outdoor unit does not operate, LED on outdoor P.C. board is not lighting.

### Ⓐ Check of power supply

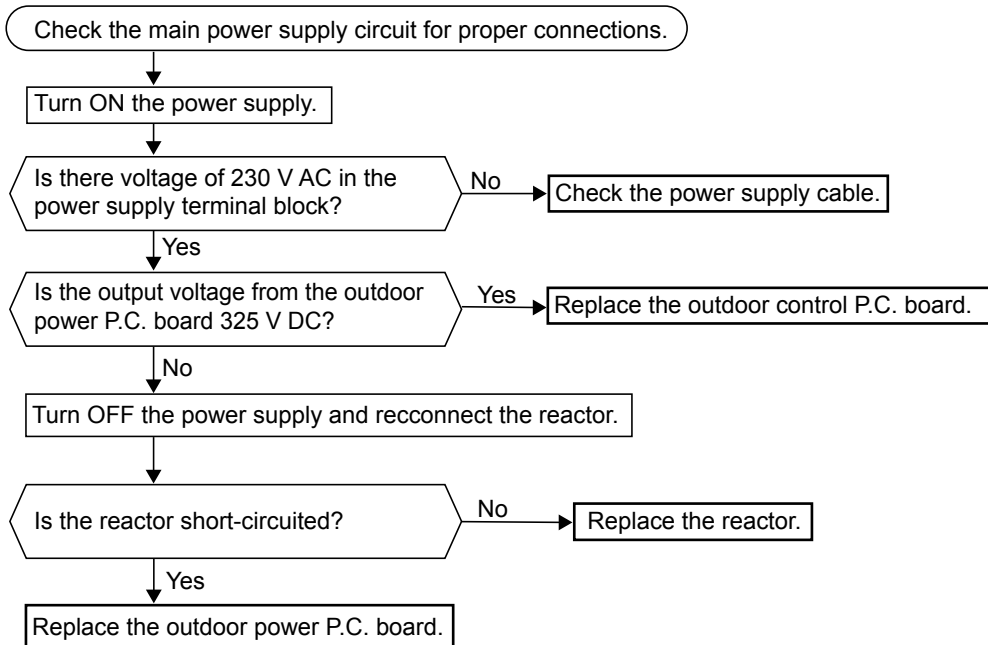
**MXZ-2D33VA/2D40VA/2D42VA/2D42VA2/2D53VA/2D53VA2  
MXZ-2D53VAH/2D53VAH2**



**MXZ-3D54VA/3D54VA2/3D68VA/4D72VA/4D83VA/5D102VA**



**MXZ-6D122VA**



- When the indoor unit does not operate, it cannot be operated either with the remote controller or with the EMERGENCY OPERATION switch.
- When the outdoor unit does not operate, the OPERATION INDICATOR lamp on the indoor unit flashes ON and OFF every 0.5-second.

**Ⓑ How to check miswiring and serial signal error (when outdoor unit does not work)**

**MXZ-2D/3D/4D/5D**

**LED indication for communication status**

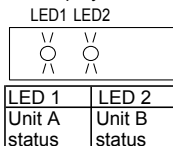
Communication status is indicated by the LED.

**Unit status**

Blinking: normal communication  
 Lighted: abnormal communication or not connected  
 Not lighted: The outdoor P.C. board is abnormal.  
 NOTE: "Lighted" and "Not lighted" in the table below does not indicate abnormal.

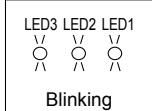
- MXZ-2D33VA/2D40VA/2D42VA/2D42VA2
- MXZ-2D53VA/2D53VA2
- MXZ-2D53VAH/2D53VAH2

Outdoor display P.C. board



- MXZ-3D54/3D68/4D72VA
- MXZ-3D54VA2

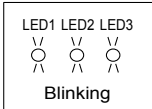
Outdoor control P.C. board



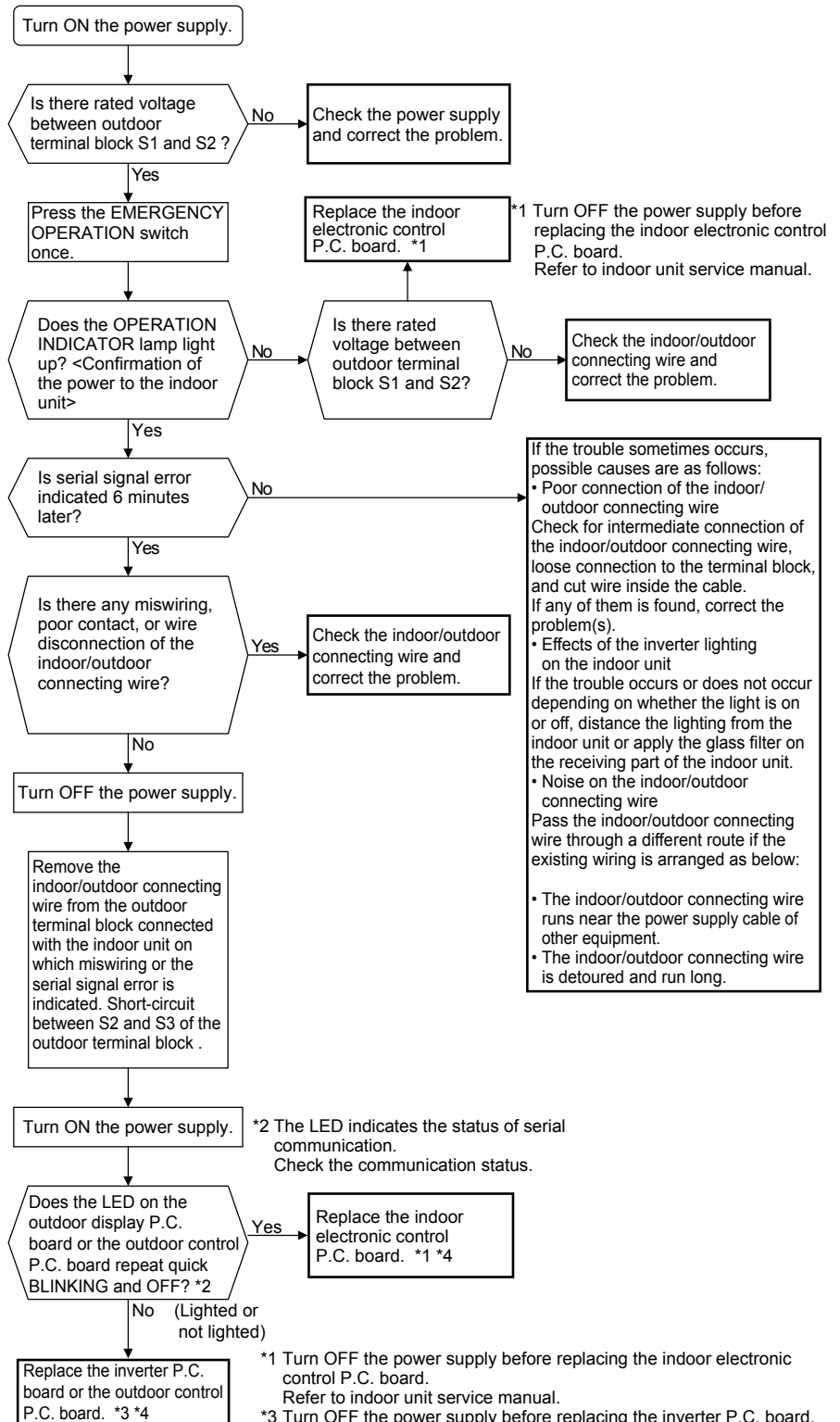
Pattern	LED 3	LED 2	LED 1
1	Lighted	Unit B status	Unit A status
2	Not lighted	Unit D status	Unit C status

- MXZ-4D83/5D102VA

Outdoor control P.C. board



Pattern	LED 1	LED 2	LED 3
1	Unit A status	Unit B status	Unit C status
2	Unit D status	Unit E status	Not lighted



\*2 The LED indicates the status of serial communication. Check the communication status.

\*1 Turn OFF the power supply before replacing the indoor electronic control P.C. board. Refer to indoor unit service manual.  
 \*3 Turn OFF the power supply before replacing the inverter P.C. board. Be careful of residual voltage of smoothing capacitor.  
 \*4 Remove the short-circuit between outdoor terminal block S2 and S3. Connect the indoor/outdoor connecting wire.

# MXZ-6D122VA

## LED indication for communication status

Communication status is indicated by the LED.

Unit status

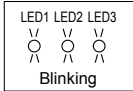
Blinking: normal communication

Lighting: abnormal communication or not connected

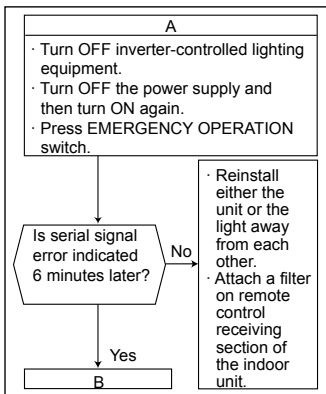
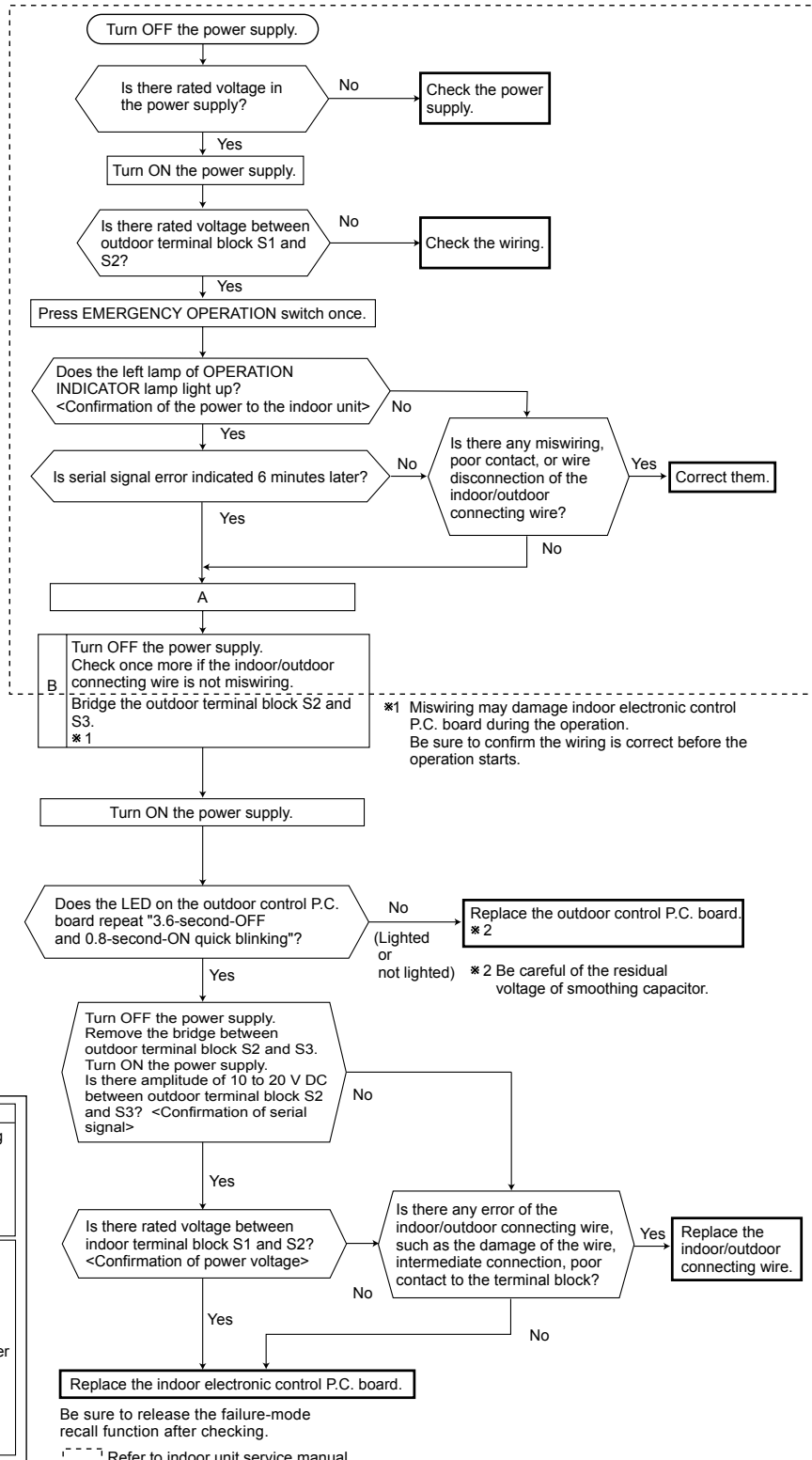
Pattern 1 and 2 is repeatedly displayed alternately. Each pattern is displayed for 10 seconds.

**NOTE:** "Lighting" in the table below does not indicate abnormal communication.

Outdoor control P.C. board



Pattern	LED 1	LED 2	LED 3
1	Unit A status	Unit B status	Lighted
2	Unit C status	Unit D status	Not lighted
3	Unit E status	Unit F status	Blinking



Be sure to release the failure-mode recall function after checking.  
 [---] Refer to indoor unit service manual.



- In heating, the room does not get warm.
- In cooling, the room does not get cool.

### © How to check inverter/compressor

Disconnect the connector (CNMC) between the inverter P.C. board/the outdoor control P.C. board and compressor, or disconnect the terminal of the compressor.  
3 minutes after turning ON the power supply, start EMERGENCY OPERATION.

Measure the voltage between each lead wire leading to the compressor.  
U (BLK) - V (WHT)  
V (WHT) - W (RED)  
W (RED) - U (BLK)  
Is there voltage of 50 VAC - 250 V AC? \* 1, \* 2

Yes

Is output balanced?

No

Replace the inverter P.C. board or the outdoor power P.C. board.

Yes

(Except **MXZ-2D**)  
Is the input voltage to the outdoor control P.C. board 370 V DC or more?

No

Replace the outdoor power P.C. board.

Yes

Turn OFF the power supply, and measure the compressor winding resistance between the compressor terminals.  
Is there resistance between each terminal normal? (Refer to 11-5.)

No

Replace the compressor.

Yes

Reconnect the lead wire of compressor.  
3 minutes after turning ON the power supply, start EMERGENCY OPERATION.

Clarify the causes by counting time until the inverter stops.  
0 to 10 seconds: compressor layer short  
10 to 60 seconds: compressor lock  
60 seconds to 5minutes: refrigerant circuit defective  
5 minutes or more: normal

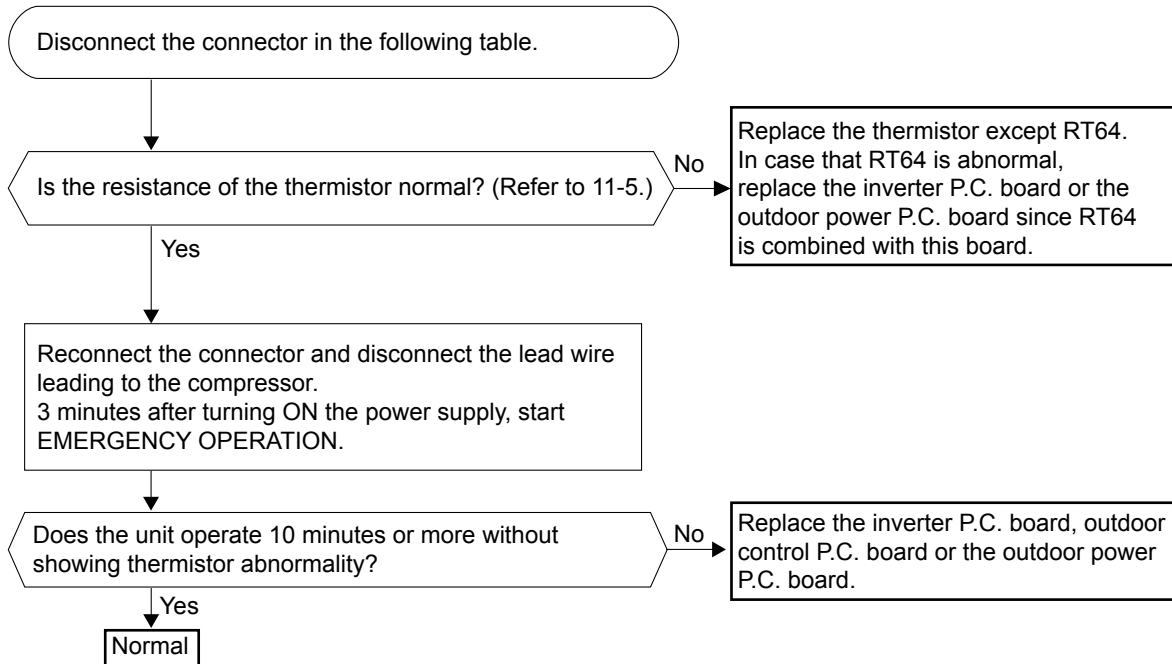
\* 1 After the outdoor fan starts running, wait for 1 minute or more before measuring the voltage.

The output voltage values have the tolerance of  $\pm 20\%$ .

\* 2 The output differs depending on the capacity or the number of indoor units to be operated.

• The thermistor is abnormal.

① Check of outdoor thermistors



**MXZ-2D33VA/2D40VA/2D42VA/2D42VA2/2D53VA/2D53VA2  
MXZ-2D53VAH/2D53VAH2**

Thermistor	Symbol	Connector, Pin No.	Board
Defrost	RT61	CN641 pin1 and pin2	Inverter P.C. board
Discharge temperature	RT62	CN641 pin3 and pin4	
Fin temperature	RT64	CN642 pin1 and pin2	
Ambient temperature	RT65	CN643 pin1 and pin2	
Outdoor heat exchanger temperature	RT68	CN644 pin1 and pin3	

**MXZ-3D54/3D68/4D72VA  
MXZ-3D54VA2**

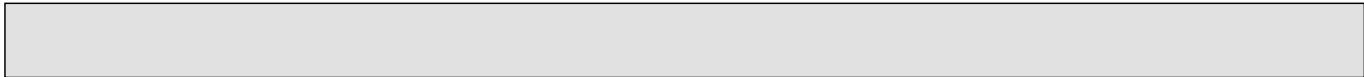
Thermistor	Symbol	Connector, Pin No.	Board
Defrost	RT61	CN661 pin1 and pin2	Outdoor control P.C. board
Discharge temperature	RT62	CN661 pin3 and pin4	Outdoor power P.C. board
Fin temperature	RT64	CN9 pin1 and pin2	
Ambient temperature	RT65	CN665 pin1 and pin2	Outdoor control P.C. board
Outdoor heat exchanger temperature	RT68	CN661 pin7 and pin8	

**MXZ-4D83/5D102VA**

Thermistor	Symbol	Connector, Pin No.	Board
Defrost	RT61	CN661 pin1 and pin2	Outdoor control P.C. board
Discharge temperature	RT62	CN661 pin3 and pin4	
Fin temperature	RT64	CN3 pin1 and pin2	Outdoor power P.C. board
Ambient temperature	RT65	CN661 pin7 and pin8	Outdoor control P.C. board
Outdoor heat exchanger temperature	RT68	CN663 pin1 and pin2	

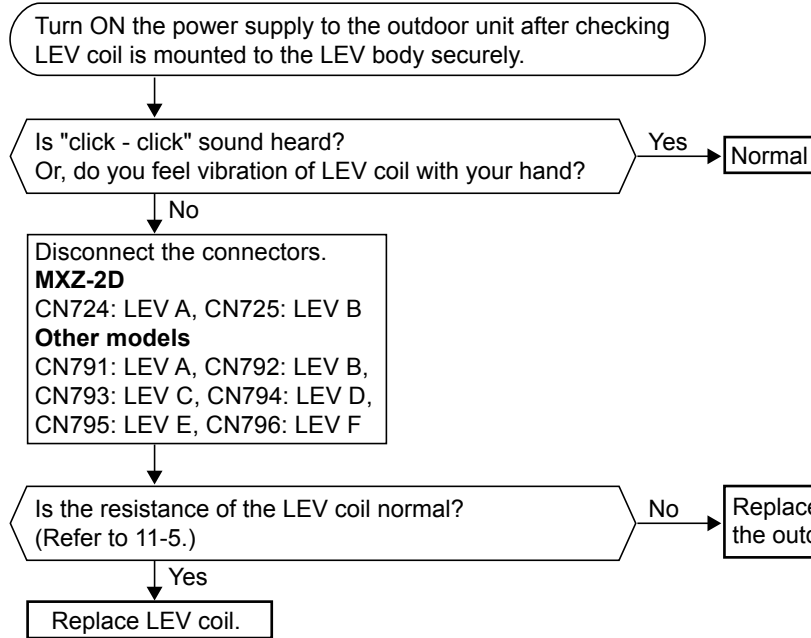
**MXZ-6D122VA**

Thermistor	Symbol	Connector, Pin No.	Board
Defrost	RT61	Between CNTH1 pin1 and pin2	Outdoor control P.C. board
Discharge temperature	RT62	Between CNTH1 pin3 and pin4	
Outdoor heat exchanger temperature	RT68	Between CNTH1 pin7 and pin8	
Ambient temperature	RT65	Between CNTH2 pin1 and pin2	Outdoor power P.C. board
Fin temperature	RT64	Between CN171 pin1 and pin2	



- In cooling, the heat exchanger of non-operating indoor unit has frosted.
- In heating, non-operating indoor unit gets warm.

**Ⓔ Check of LEV**



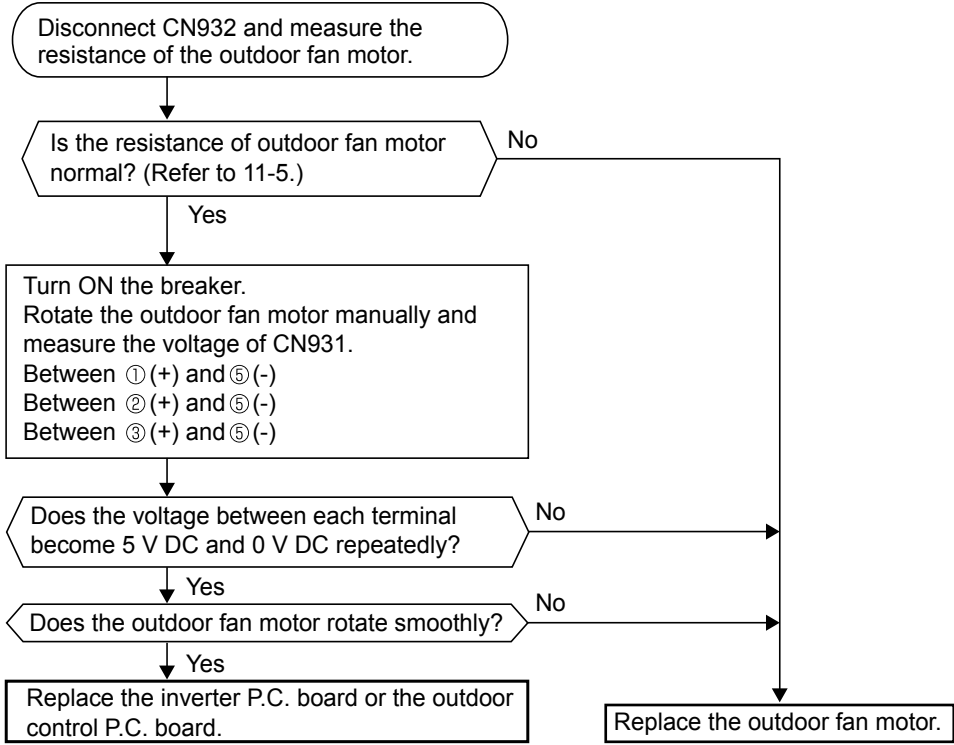
	MXZ-2D	MXZ-3D/4D/5D/6D
CN724	Inverter P.C. board	Outdoor control P.C. board
CN725		
CN791	—	
CN792		
CN793		
CN794		
CN795		
CN796		

• Fan motor does not operate or stops operating shortly after starting the operation.

Ⓕ Check of outdoor fan motor

MXZ-2D33VA/2D40VA/2D42VA/2D42VA2/2D53VA/2D53VA2  
 MXZ-2D53VAH/2D53VAH2  
 MXZ-4D83VA/5D102VA

	MXZ-2D	MXZ-4D83VA/5D102VA
CN931	Inverter P.C. board	Outdoor control P.C. board
CN932		



**MXZ-3D54VA/3D54VA2/3D68VA/4D72VA**

	<b>MXZ-3D54VA/3D54VA2/3D68VA/4D72VA</b>
CN931	Outdoor control P.C. board

Disconnect CN931 and measure the resistance of the outdoor fan motor.

Is the resistance of outdoor fan motor normal? (Refer to right table)

No → Replace the outdoor fan motor.

Does the outdoor fan motor rotate smoothly?

No → Replace the outdoor fan motor.

Turn on the power supply to start operation and measure the voltage of connector CN931.

CN931	Voltage
pin1 - pin4	325 V DC
pin5 - pin4	15 V DC
pin6 - pin4	1 - 5 V DC

Measuring points	Resistance
pin1 - pin4	∞
pin5 - pin4	60 kΩ
pin6 - pin4	160 kΩ
pin7 - pin4	∞

\* To measure the resistance, connect the negative (-) end of the tester to pin4.

\* To measure the voltage, connect the negative (-) end of the tester to pin4.  
 \* Voltage between pin4 and 6 should be measured within 1 minute after the operation starts.

Is the voltage of connector CN931 normal? (Refer to right table.)

No → Replace the outdoor control P.C. board.

Turn OFF the power supply and connect the connector CN931. Turn ON the power supply and measure the voltage of connector CN931 while rotating the motor by the hand.

Does the voltage between pin7 and pin4 of connector CN931 repeat 0 V DC and 5 V DC?

No → Replace the outdoor fan motor.

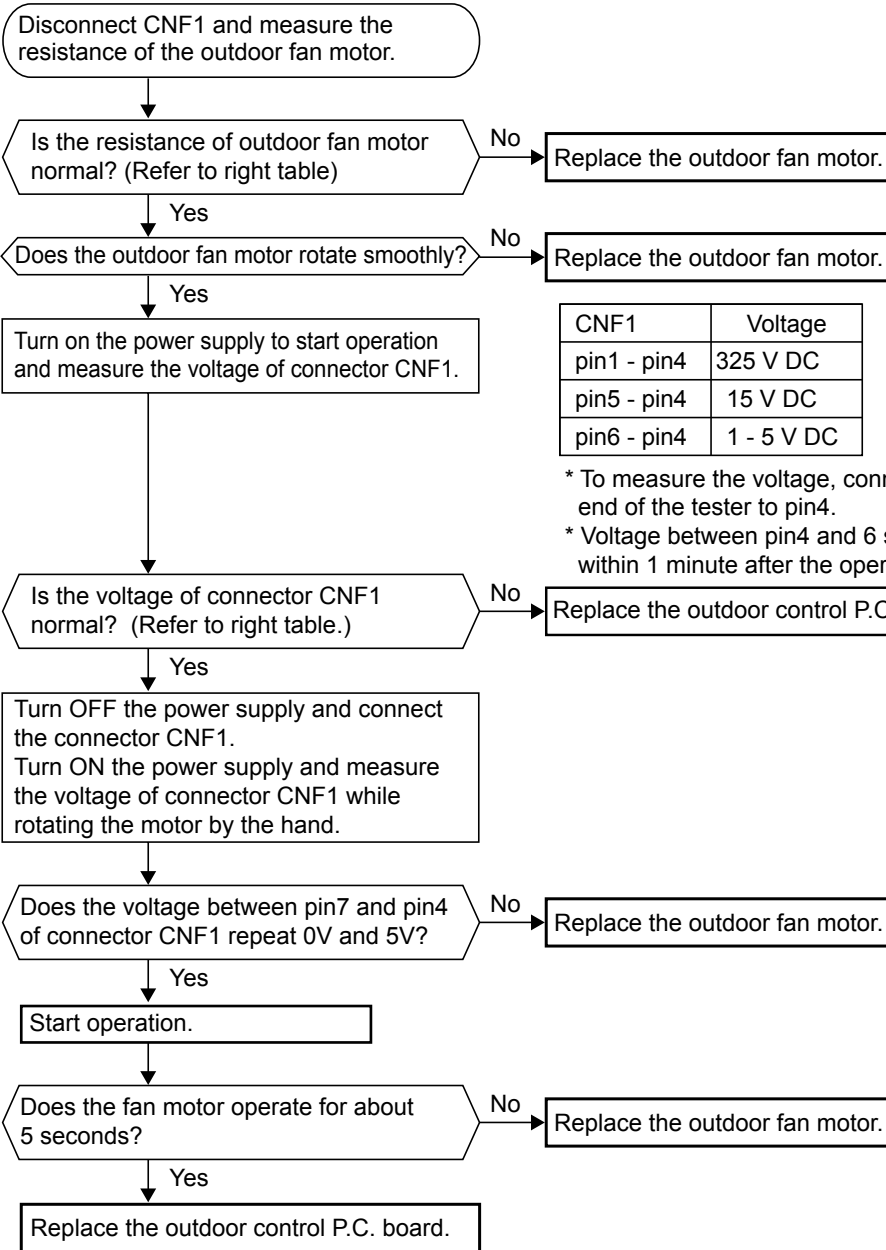
Start operation.

Does the fan motor operate for about 5 seconds?

No → Replace the outdoor fan motor.

Replace the outdoor control P.C. board.

## MXZ-6D122VA



CNF1	Outdoor control P.C. board
------	----------------------------

Measuring points	Resistance
pin1 - pin4	$\infty$
pin5 - pin4	60 k $\Omega$
pin6 - pin4	160 k $\Omega$
pin7 - pin4	$\infty$

\* To measure the resistance, connect the negative (-) end of the tester to pin4.

CNF1	Voltage
pin1 - pin4	325 V DC
pin5 - pin4	15 V DC
pin6 - pin4	1 - 5 V DC

\* To measure the voltage, connect the negative (-) end of the tester to pin4.

\* Voltage between pin4 and 6 should be measured within 1 minute after the operation starts.

• The cooling operation or the heating operation does not operate.

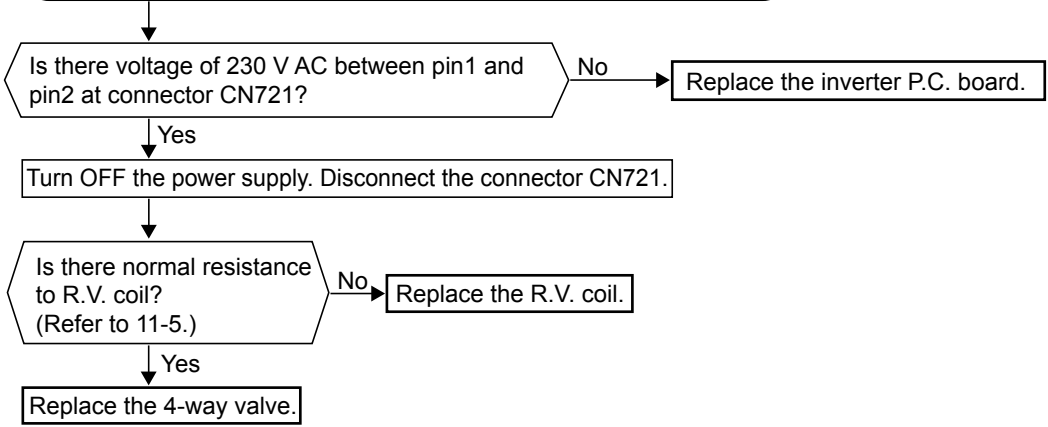
**Ⓒ Check of R.V. coil**

**MXZ-2D33VA/2D40VA/2D42VA/2D42VA2/2D53VA/2D53VA2  
MXZ-2D53VAH/2D53VAH2**

	<b>MXZ-2D</b>
CN721	Inverter P.C. board

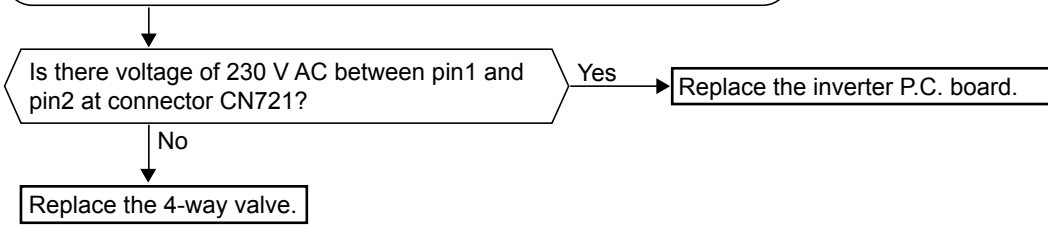
• The heating operation does not operate.

1. Disconnect the lead wire leading to the compressor.
2. 3 minutes after turning ON the power supply, start EMERGENCY OPERATION in HEAT mode.



• The cooling operation does not operate.

1. Disconnect the lead wire leading to the compressor.
2. 3 minutes after turning ON the power supply, start EMERGENCY OPERATION in COOL mode.

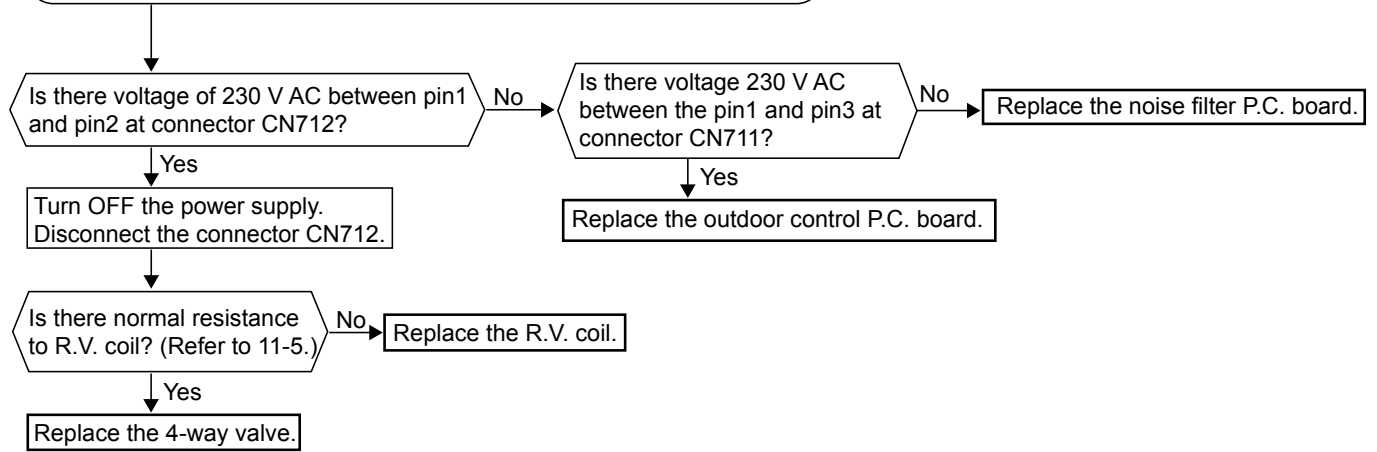


## MXZ-3D54VA/3D54VA2/3D68VA/4D72VA

### • When heating operation does not operate.

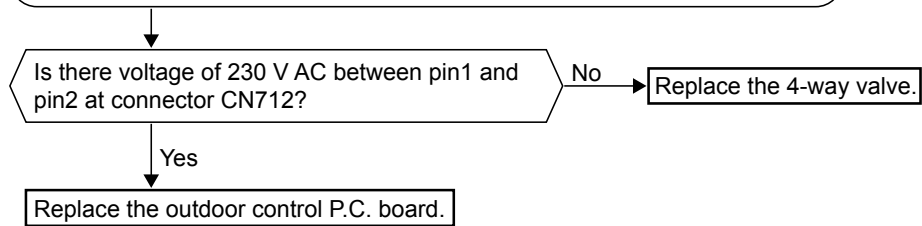
1. Disconnect the lead wire leading to the compressor.
2. 3 minutes after turning ON the power supply, start EMERGENCY OPERATION in HEAT mode.

	MXZ-3D54VA/3D54VA2/3D68VA/4D72VA
CN711 CN712	Outdoor control P.C. board



### • When cooling operation does not operate.

1. Disconnect the lead wire leading to the compressor.
2. 3 minutes after turning ON the power supply, start EMERGENCY OPERATION in COOL mode.

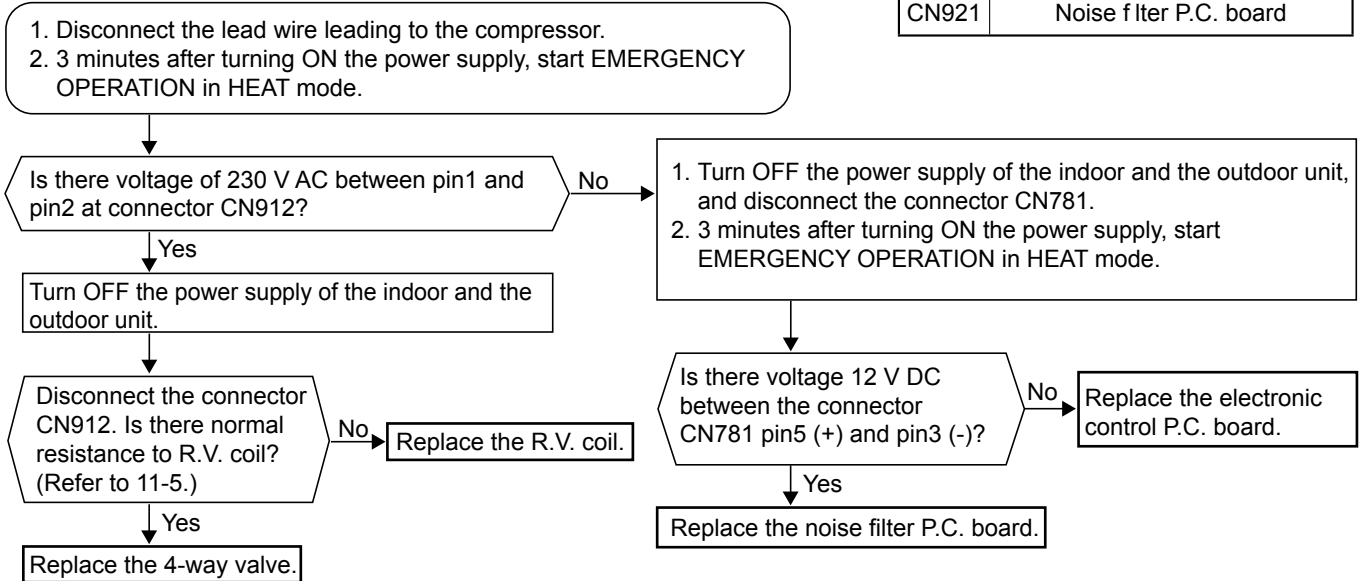




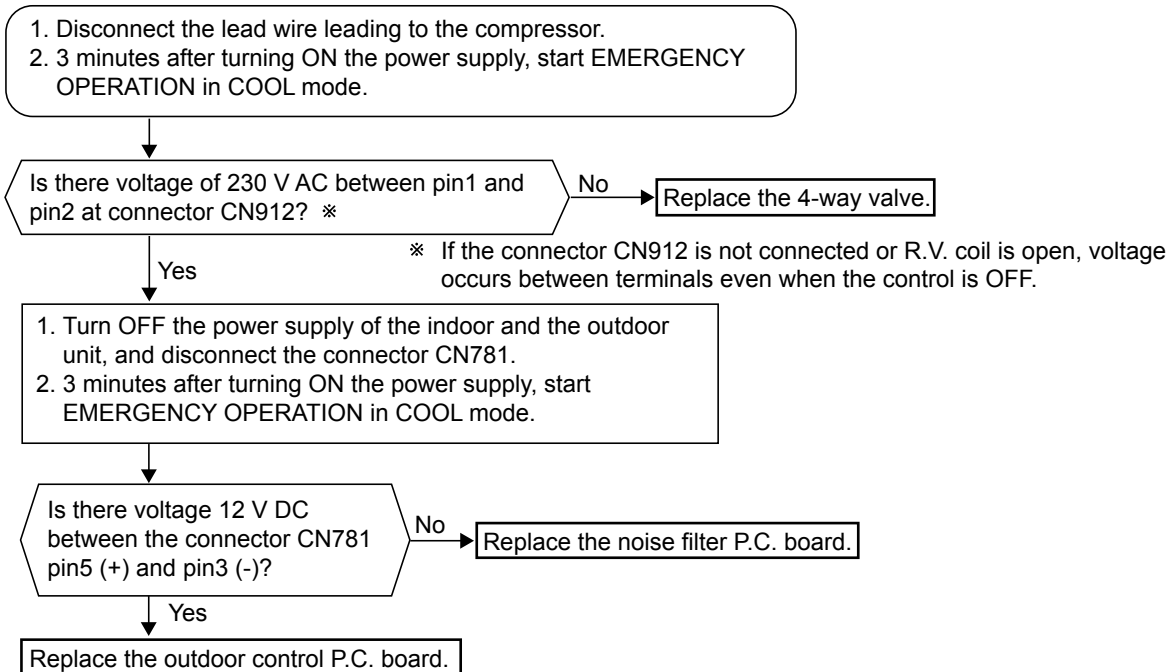
## MXZ-4D83VA/5D102VA

	<b>MXZ-4D83VA/5D102VA</b>
CN921	Noise filter P.C. board

### • When heating operation does not operate.



### • When cooling operation does not operate.

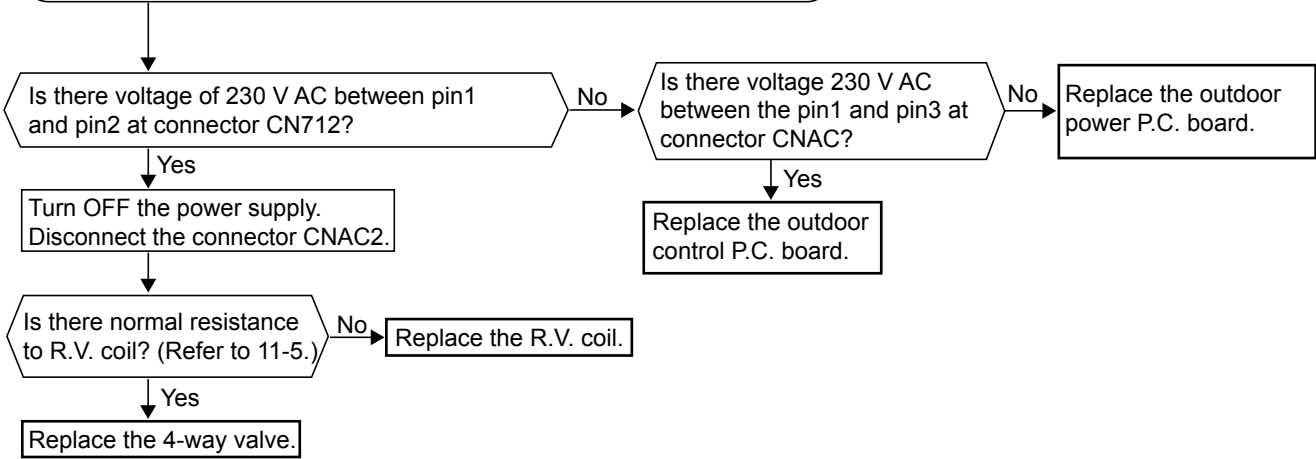


## MXZ-6D122VA

### • When cooling operation does not work.

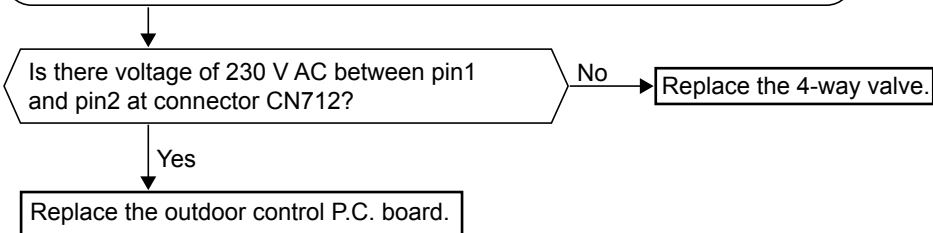
1. Disconnect the lead wire leading to the compressor.
2. 3 minutes after turning ON the power supply, start EMERGENCY OPERATION in COOL mode.

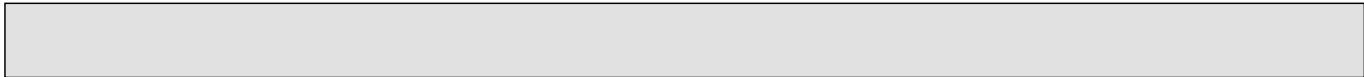
CNAC CN712	Outdoor control P.C. board
CNAC2	Outdoor power P.C. board



### • When heating operation does not work.

1. Disconnect the lead wire leading to the compressor.
2. 3 minutes after turning ON the power supply, start EMERGENCY OPERATION in HEAT mode.



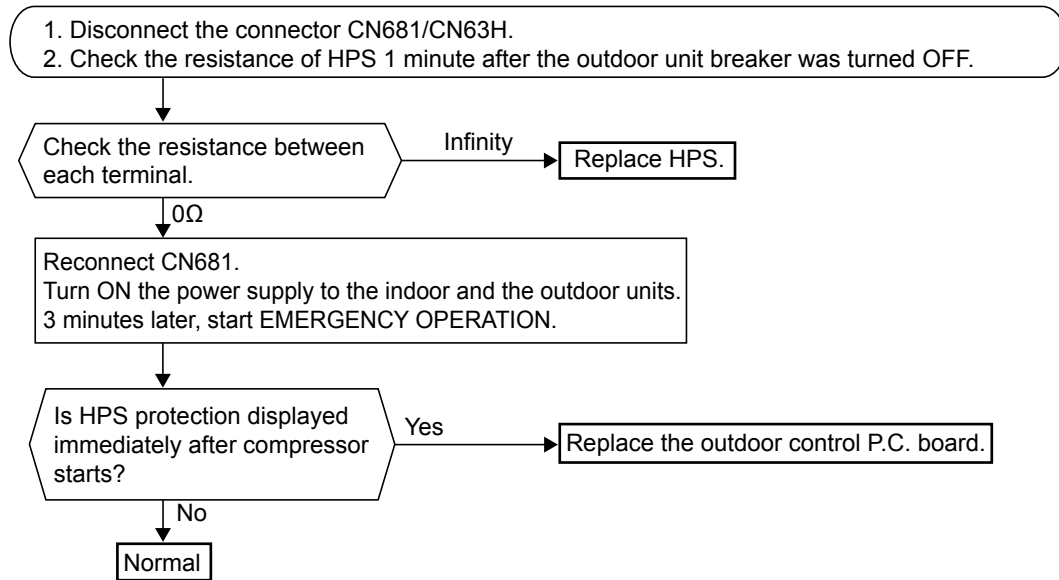


• When the operation frequency does not go up from lowest frequency.

**⊕ Check of HPS**

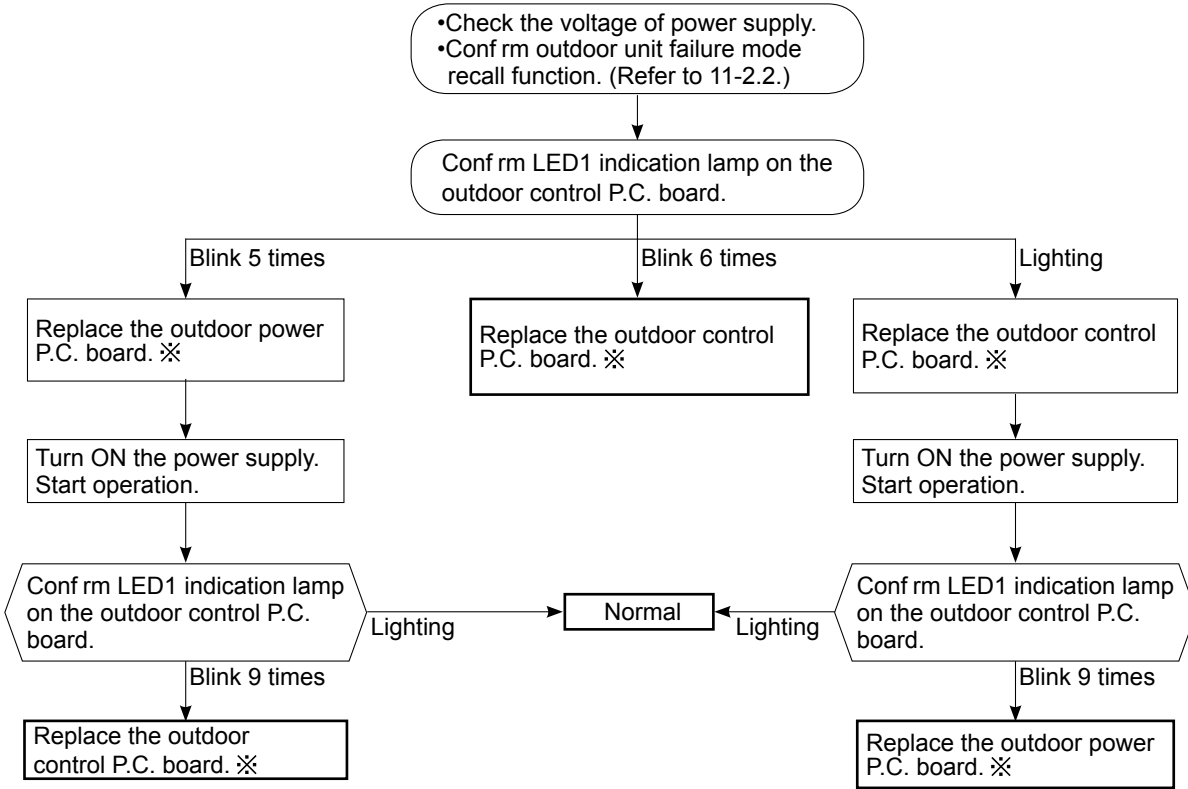
**MXZ-3D54VA2-<sup>[E3]</sup>, <sup>[ER3]</sup>, <sup>[ET3]</sup>**  
**MXZ-3D68VA/4D72VA/4D83VA/5D102VA/6D122VA**

CN681	<b>MXZ-3D54VA2-<sup>[E3]</sup>, <sup>[ER3]</sup>, <sup>[ET3]</sup></b>
	Outdoor control P.C. board
CN63H	<b>MXZ-6D122VA</b>
	Outdoor control P.C. board



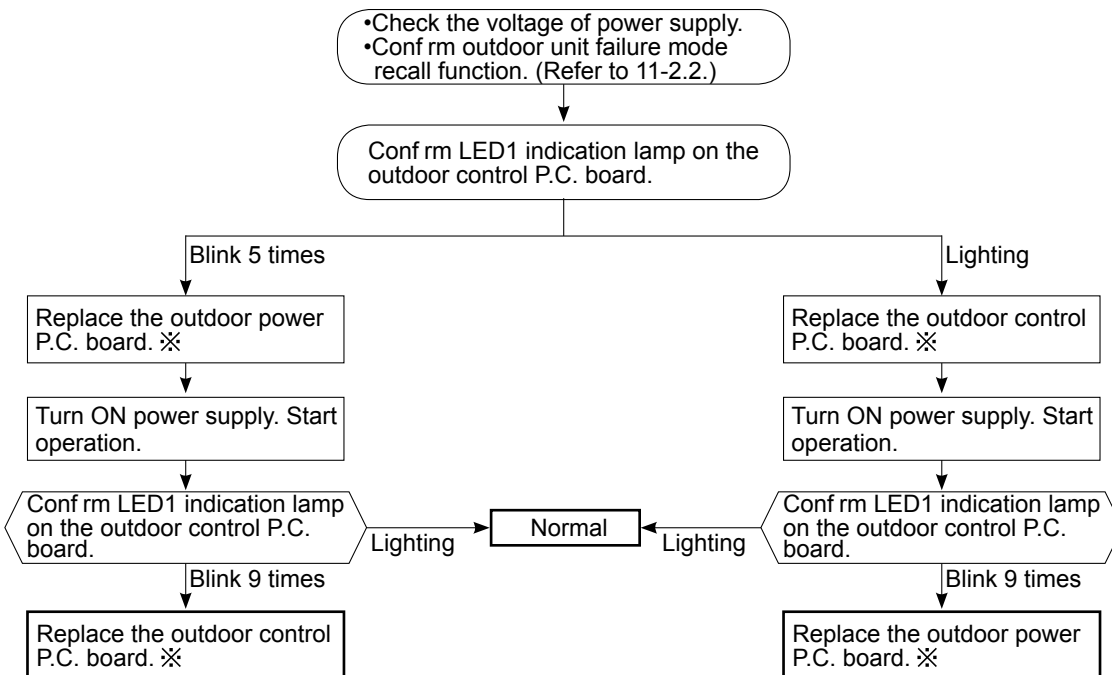
① Check of bus-bar voltage

MXZ-3D54VA/3D54VA2/3D68VA/4D72VA  
MXZ-4D83VA/5D102VA



※ Turn OFF the power supply before removing P.C. board.

MXZ-6D122VA



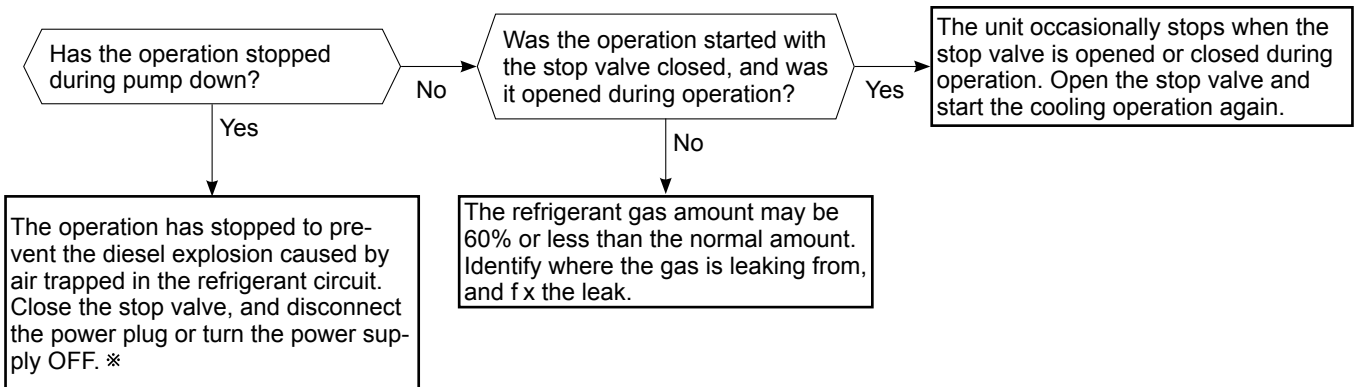
※ Turn OFF the power supply before removing P.C. board.

## ⌚ The other cases

Indoor unit does not operate. (different operating models in multi system)

- When you try to run 2 indoor units simultaneously, one for cooling and the other for heating, the unit which transmits signal to the outdoor unit first decides the operation mode.
- When the above situation occurs, set all the indoor units to the same mode, turn OFF the indoor units, then turn them back ON.
- Though the top of the indoor unit sometimes gets warm, this does not mean malfunction.  
The reason is that the refrigerant gas continuously flows into the indoor unit even while it is not operating.

## ⌚ Check of outdoor refrigerant circuit



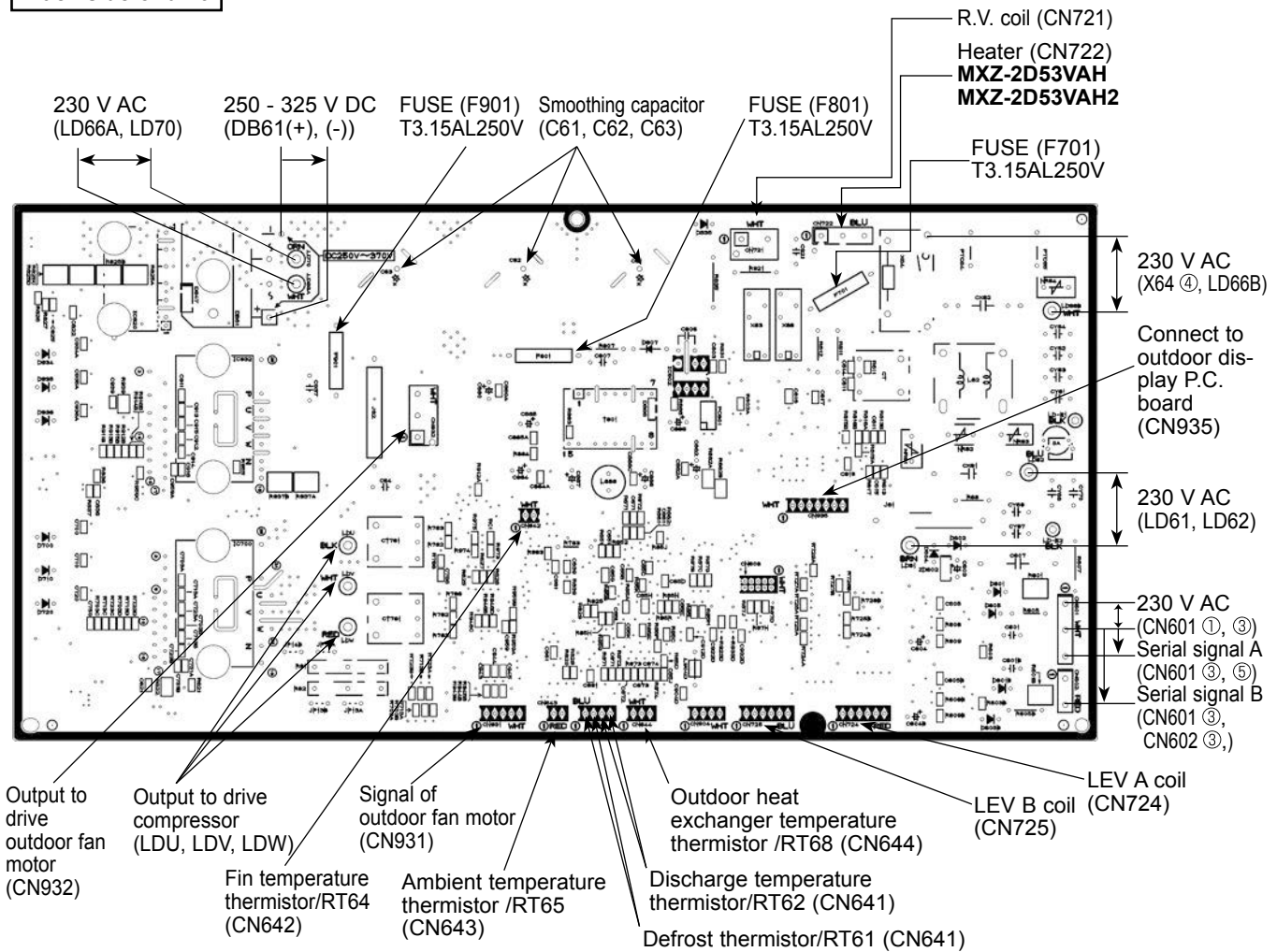
**\* CAUTION : Do not start the operation again to prevent hazards.**

## 11-7. TEST POINT DIAGRAM AND VOLTAGE

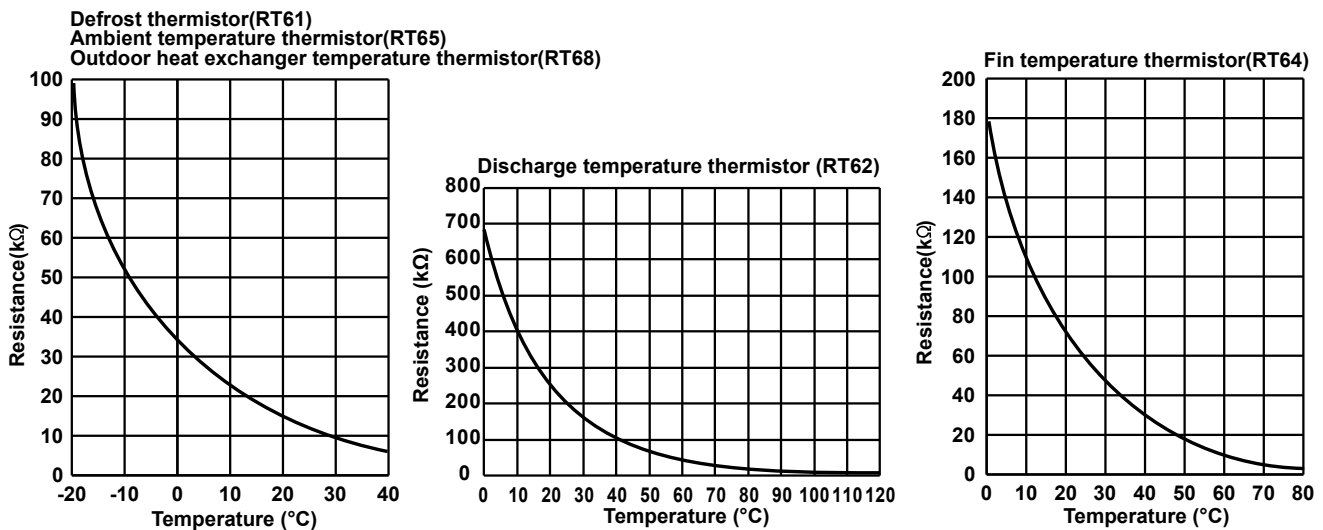
### 1. Inverter P.C. board

**MXZ-2D33VA MXZ-2D40VA MXZ-2D42VA MXZ-2D42VA2**  
**MXZ-2D53VA MXZ-2D53VA2 MXZ-2D53VAH MXZ-2D53VAH2**

#### Back side of unit



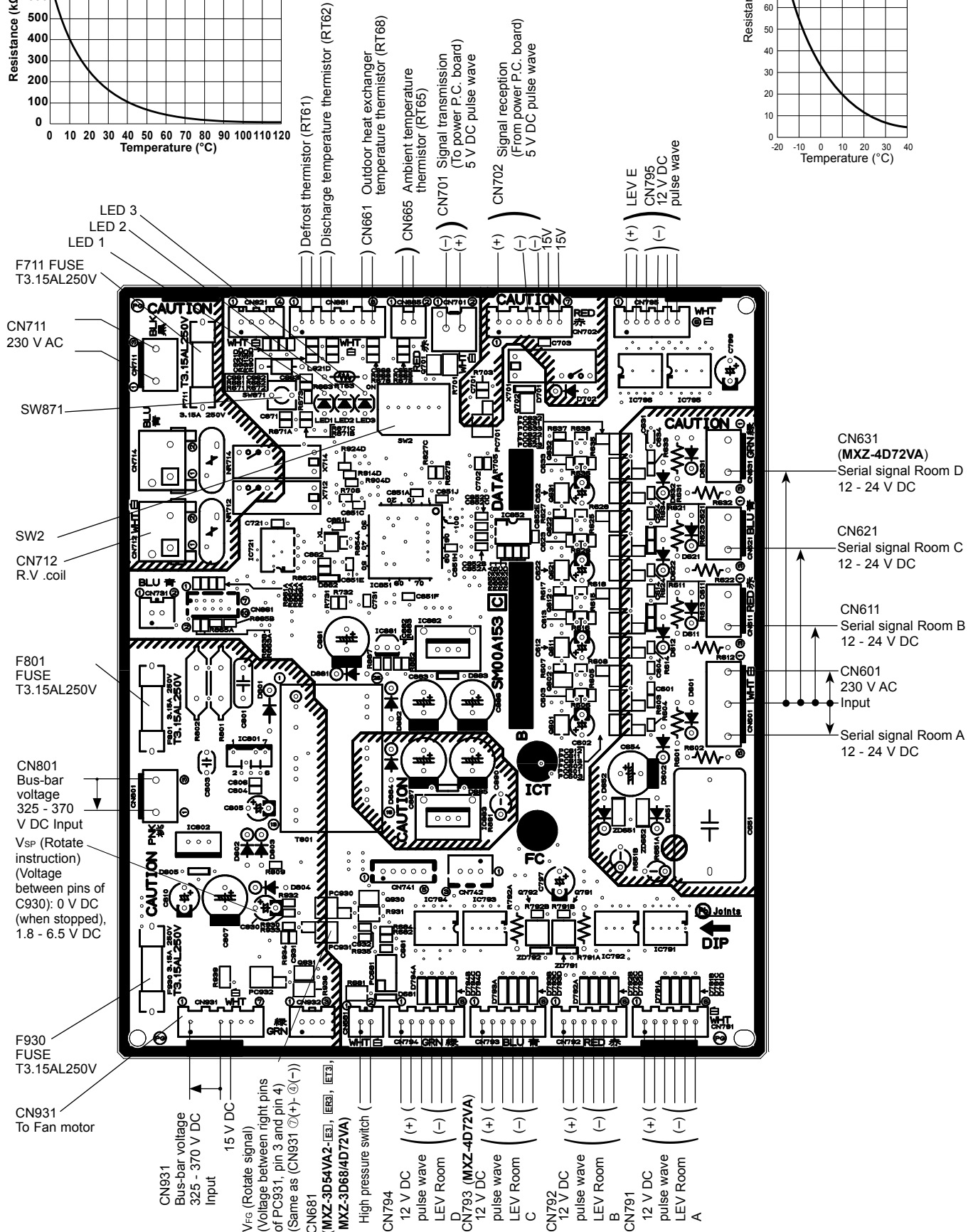
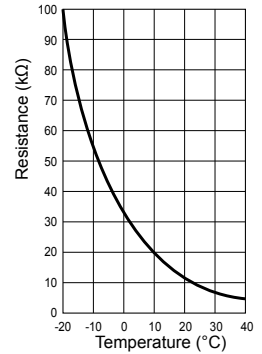
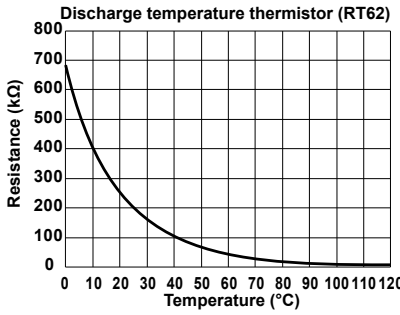
#### Front side of unit



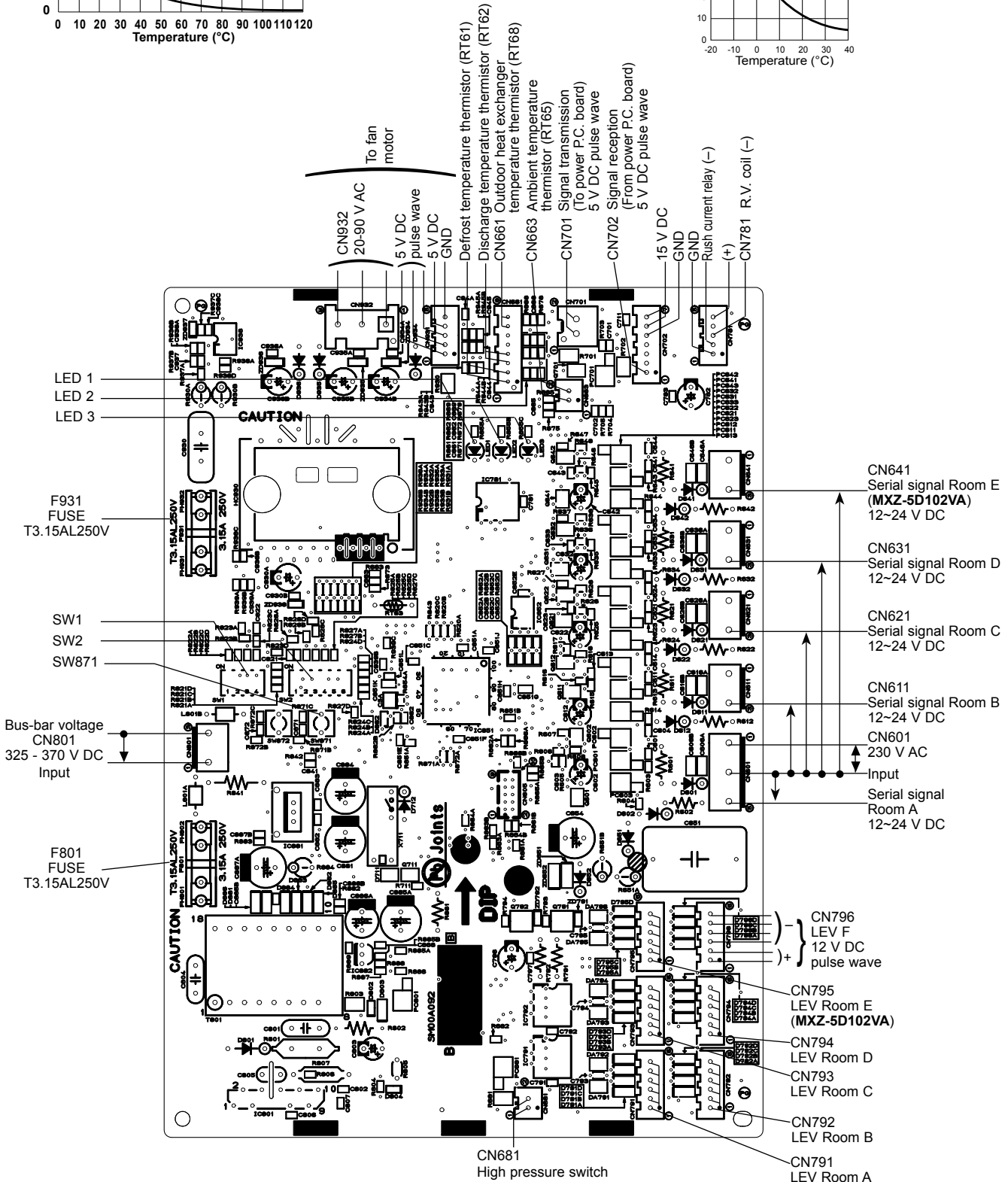
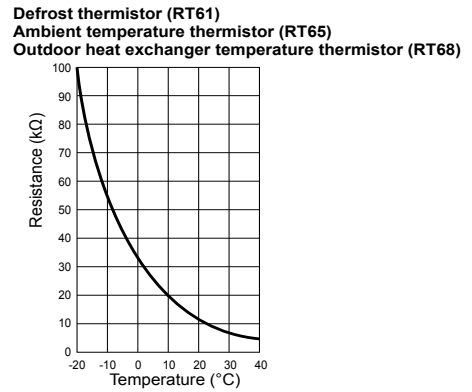
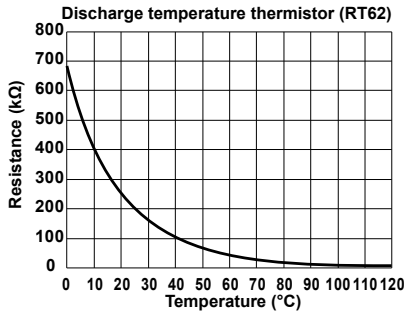
## 2. Outdoor control P.C. board

**MXZ-3D54VA MXZ-3D54VA2 MXZ-3D68VA MXZ-4D72VA**

Defrost thermistor (RT61)  
Ambient temperature thermistor (RT65)  
Outdoor heat exchanger temperature thermistor (RT68)



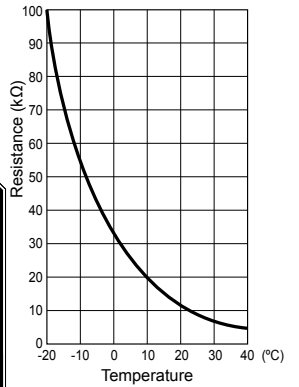
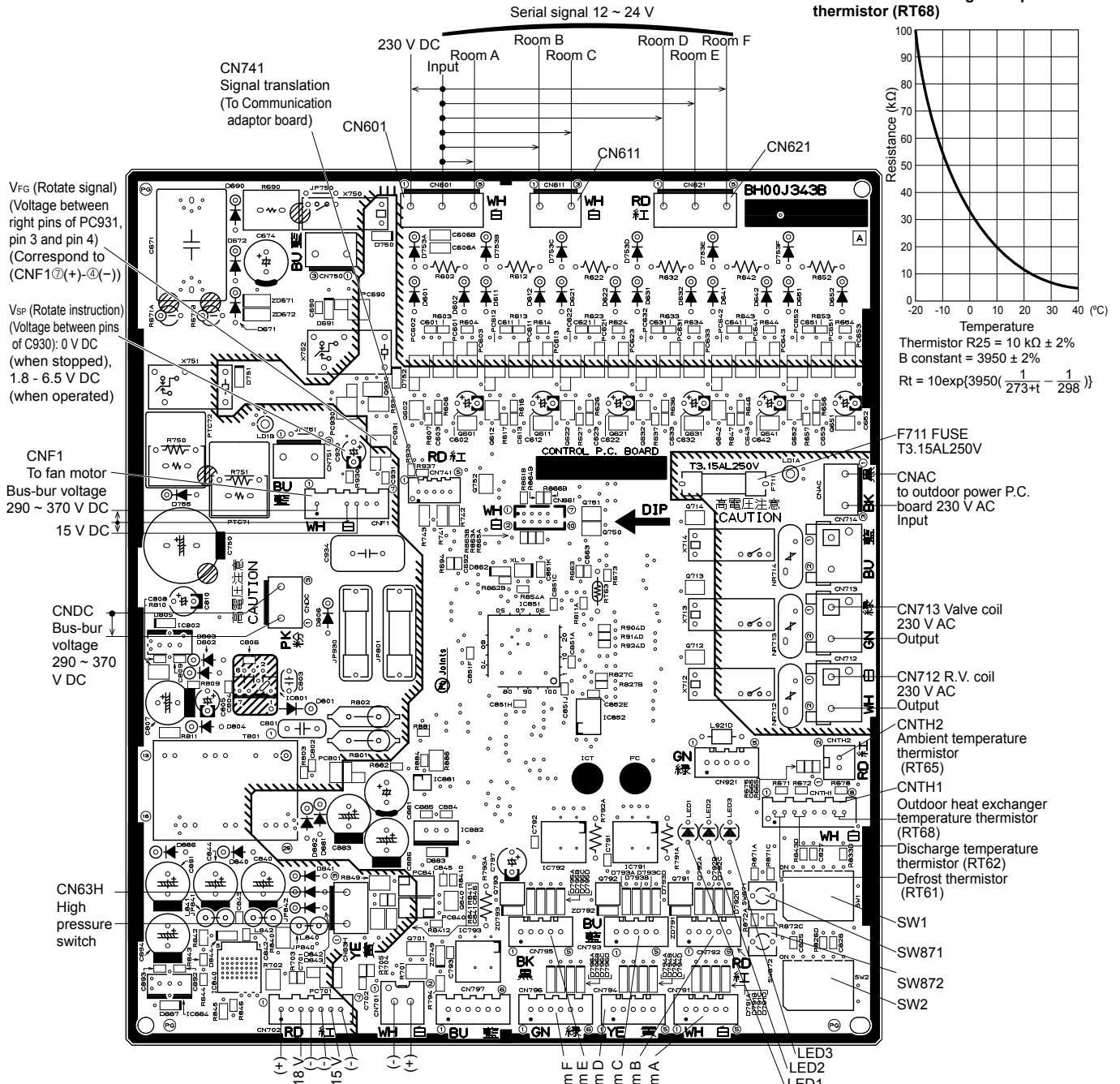
# MXZ-4D83VA MXZ-5D102VA





# MXZ-6D122VA

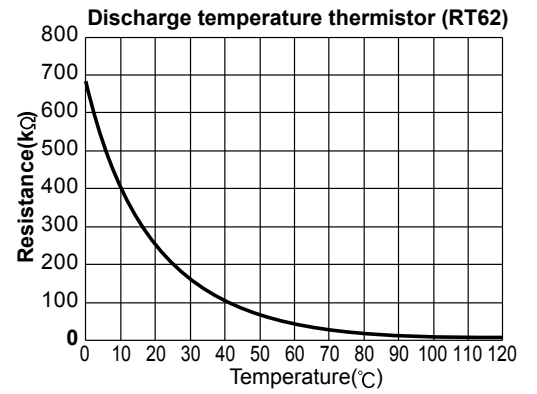
Defrost thermistor (RT61)  
Ambient temperature thermistor (RT65)  
Outdoor heat exchanger thermistor (RT68)



Thermistor R25 = 10 kΩ ± 2%  
B constant = 3950 ± 2%  
 $R_t = 10 \exp\left\{3950 \left(\frac{1}{273+t} - \frac{1}{298}\right)\right\}$

F711 FUSE  
T3.15A/250V  
CNAC  
to outdoor power P.C.  
board 230 V AC  
Input

CN713 Valve coil  
230 V AC  
Output  
CN712 R.V. coil  
230 V AC  
Output  
CNTH2  
Ambient temperature  
thermistor  
(RT65)  
CNTH1  
Outdoor heat exchanger  
temperature thermistor  
(RT68)  
Discharge temperature  
thermistor  
(RT62)  
Defrost thermistor  
(RT61)  
SW1  
SW871  
SW872  
SW2



Thermistor R100 = 13.36 kΩ ± 2%  
B constant = 4014 ± 2%  
 $R_t = 13.36 \exp\left\{4014 \left(\frac{1}{273+t} - \frac{1}{373}\right)\right\}$

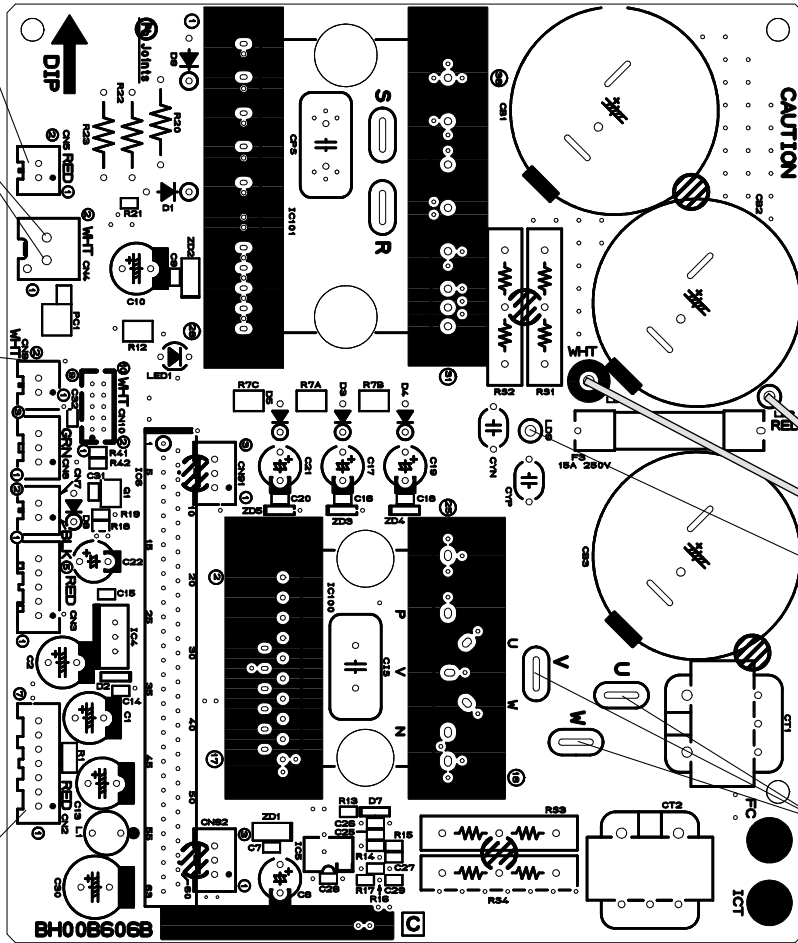
### 3. Outdoor power P.C. board

**MXZ-3D54VA MXZ-3D54VA2 MXZ-3D68VA MXZ-4D72VA**

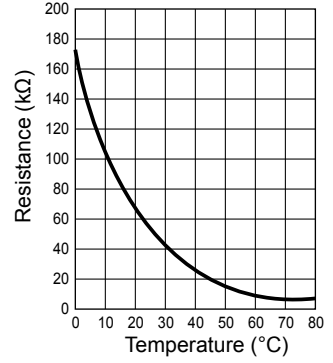
CN5  
Primary current detection  
(Connect to the noise filter)

Signal reception  
(From electronic control P.C. board)  
5 V DC pulse wave

CN9  
Fin temperature thermistor RT64



Fin temperature thermistor (RT64)

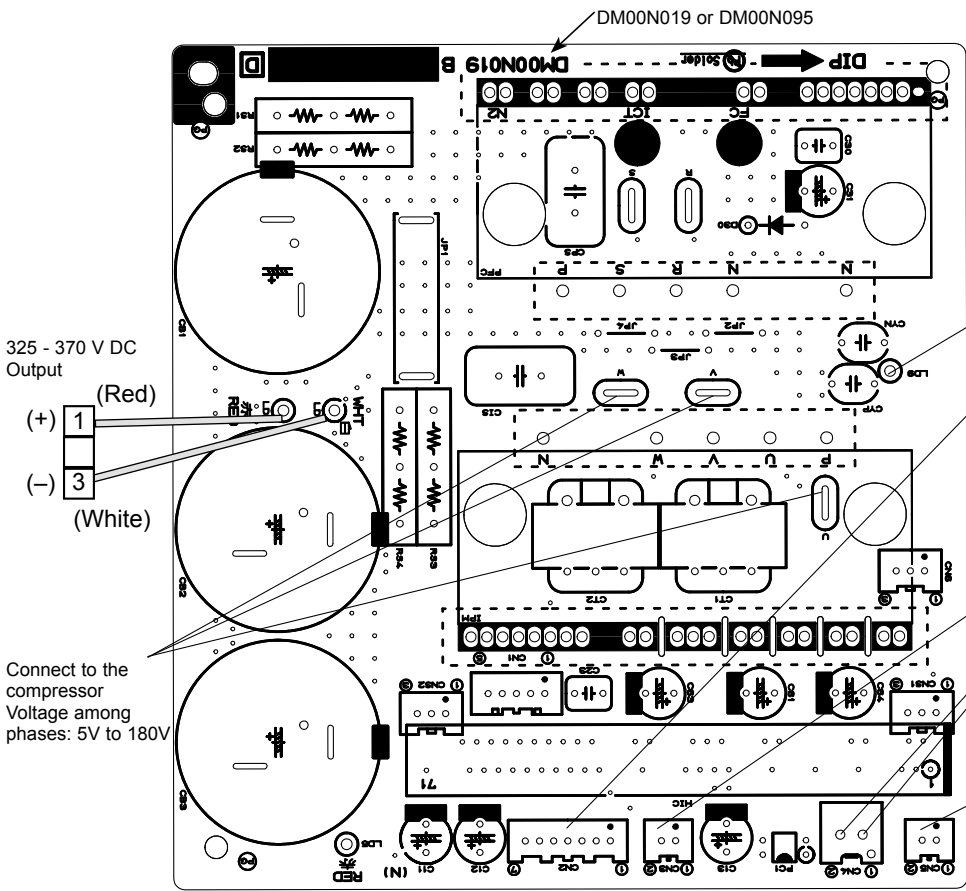


(Red)  
1 (+)  
325 - 370 V DC  
Output  
(White)  
3 (-)  
Connect to the earth

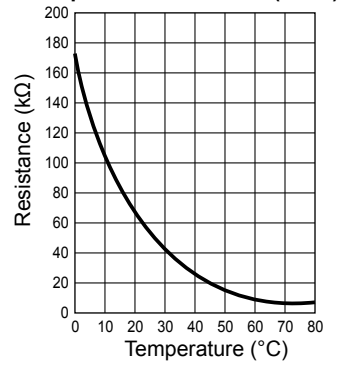
Connect to the compressor  
Voltage among phases: 5V to 180V

CN2  
Connect to the controller board  
(+)1-5(-): Signal transmission  
(To electronic control P.C. board)  
5 V DC pulse wave  
(+)2-5(-): Zero cross signal  
3-4 : Not used  
(+)6-5(-): 15V  
(+)7-5(-): 15V

**MXZ-4D83VA MXZ-5D102VA**



**Fin temperature thermistor (RT64)**



325 - 370 V DC Output

(+) 1 (Red)  
(-) 3 (White)

Connect to the compressor  
Voltage among phases: 5V to 180V

Connect to the earth

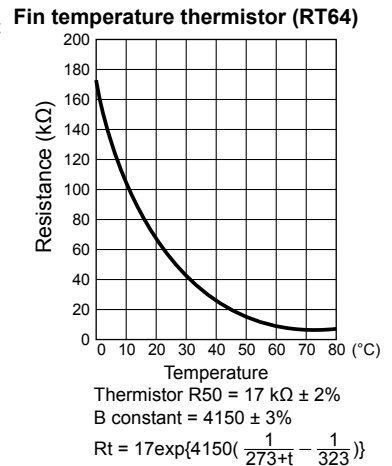
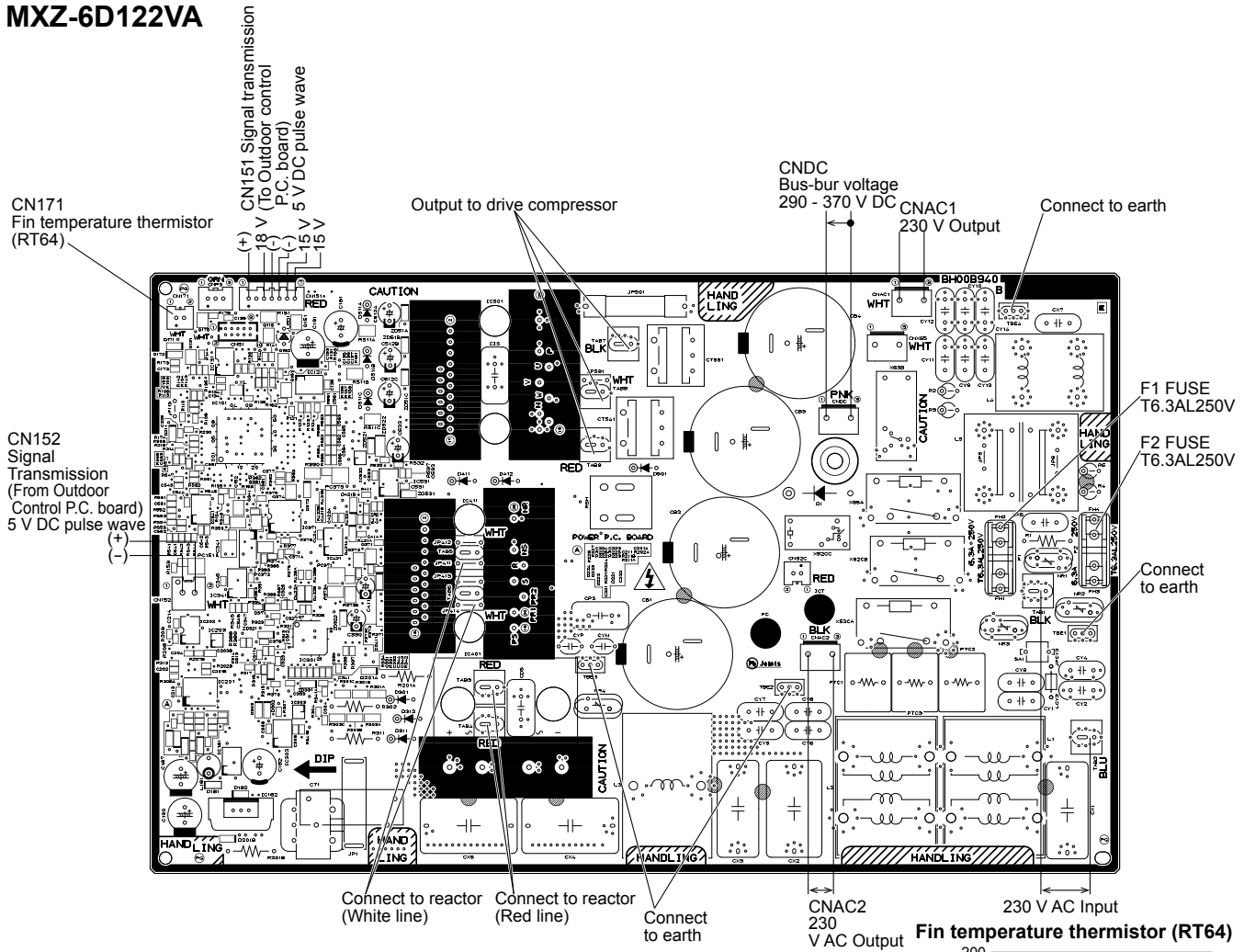
CN2  
Connect to the controller board  
(+)1-5(-): Signal transmission  
(To electronic control P.C. board)  
5 V DC pulse wave  
(+)2-5(-): Zero cross signal  
3-4 : Not used  
(+)6-5(-): 15V  
(+)7-5(-): 15V

CN3  
Fin temperature thermistor RT64

Signal reception (From  
electronic control P.C. board)  
5 V DC pulse wave

CN5  
Primary current detection  
(Connect to the noise filter)

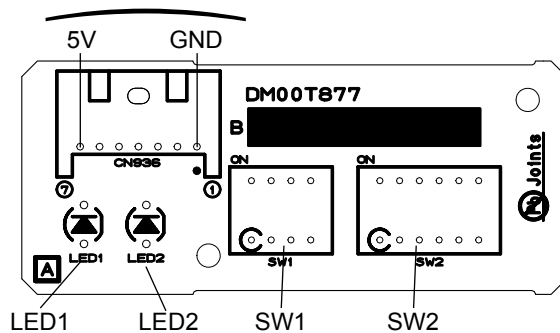
# MXZ-6D122VA



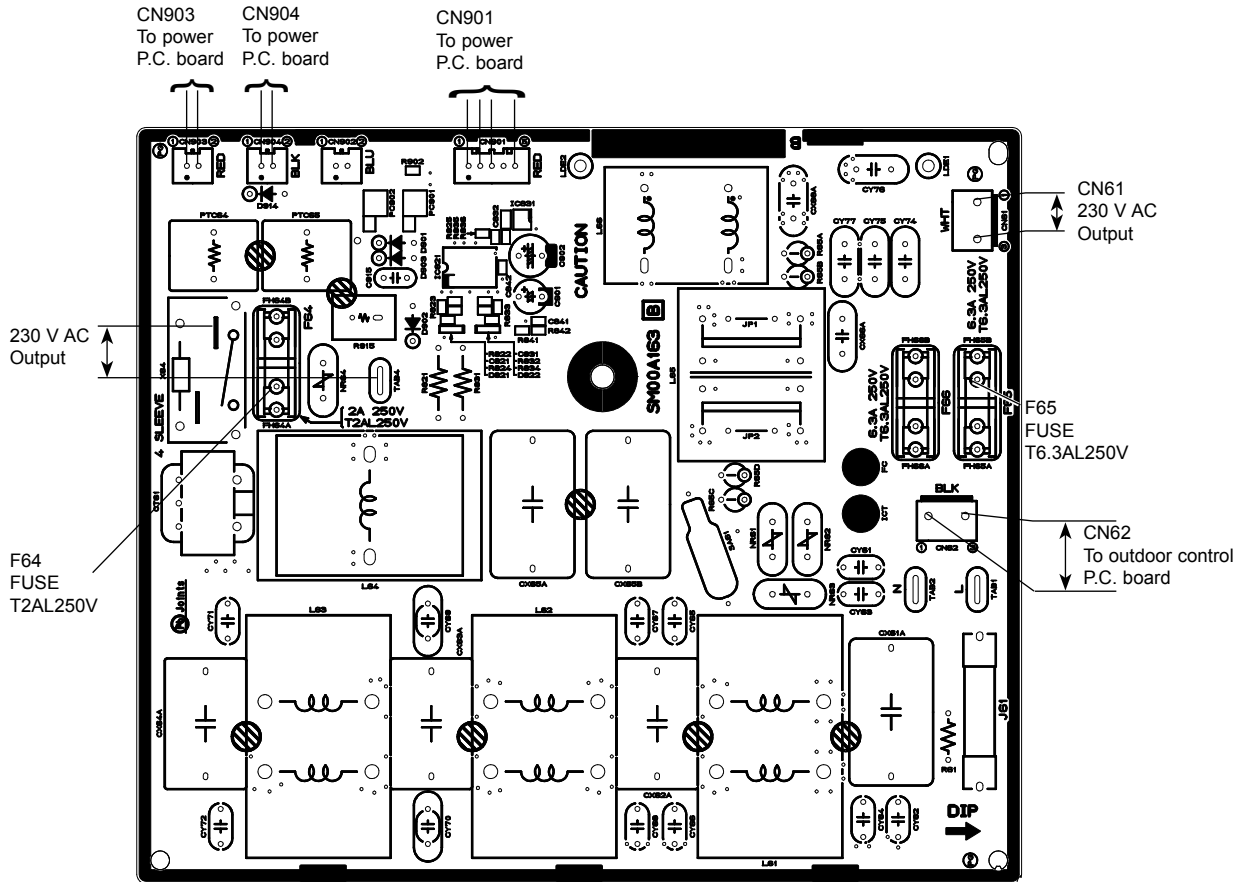
## 4. Outdoor display P.C. board

- MXZ-2D33VA    MXZ-2D40VA    MXZ-2D42VA    MXZ-2D42VA2
- MXZ-2D53VA    MXZ-2D53VA2    MXZ-2D53VAH    MXZ-2D53VAH2

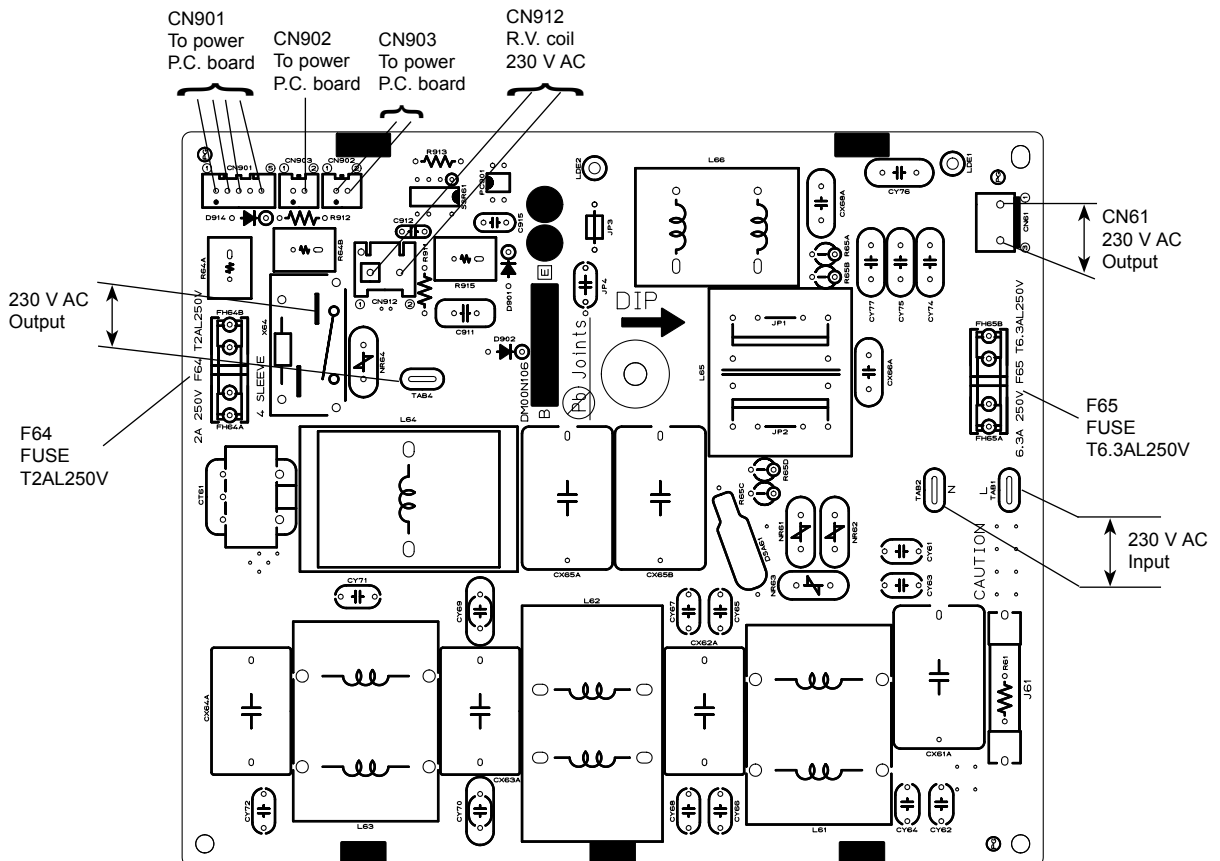
To inverter P.C. board (CN936)



**5. Noise filter P.C. board**  
**MXZ-3D54VA MXZ-3D54VA2 MXZ-3D68VA MXZ-4D72VA**



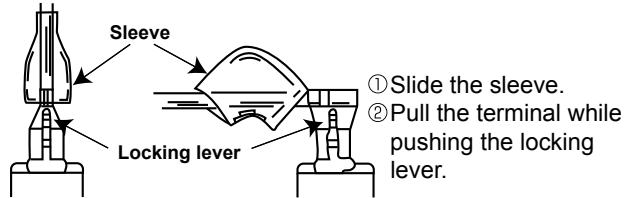
**MXZ-4D83VA MXZ-5D102VA**



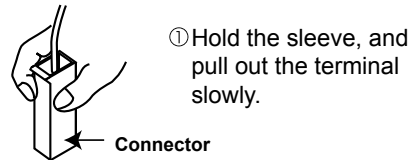
<"Terminal with locking mechanism" Detaching points>

The terminal which has the locking mechanism can be detached as shown below. There are 2 types ( Refer to (1) and (2)) of the terminal with locking mechanism. The terminal without locking mechanism can be detached by pulling it out. Check the shape of the terminal before detaching.

(1) Slide the sleeve and check if there is a locking lever or not.



(2) The terminal with this connector has the locking mechanism.



- 12-1. MXZ-2D33VA    MXZ-2D40VA    MXZ-2D42VA    MXZ-2D42VA2  
 MXZ-2D53VA    MXZ-2D53VA2    MXZ-2D53VAH    MXZ-2D53VAH2

**NOTE:** Turn OFF the power supply before disassembly.

OPERATING PROCEDURE	PHOTOS
<p><b>1. Removing the cabinet and the panels</b></p> <ol style="list-style-type: none"> <li>(1) Remove the screws fixing the service panel.</li> <li>(2) Pull down the service panel and remove it.</li> <li>(3) Disconnect the power supply and indoor/outdoor connecting wire.</li> <li>(4) Remove the screws fixing the top panel.</li> <li>(5) Remove the top panel.</li> <li>(6) Remove the screws fixing the cabinet.</li> <li>(7) Remove the cabinet.</li> <li>(8) Remove the screws fixing the back panel.</li> <li>(9) Remove the back panel.</li> </ol> <p><b>Photo 2</b></p> <p>Screws of the terminal block support and the back panel</p> <p>Screws of the cabinet</p>	<p><b>Photo 1</b></p> <p>Screws of the top panel</p> <p>Direction to remove</p> <p>Hooks</p> <p>Screws of Service panel</p> <p><b>Photo 3</b></p> <p>Screws of the back panel</p>

## OPERATING PROCEDURE

### 2. Removing the inverter assembly and the inverter P.C. board

- (1) Remove the service panel, the top panel and the cabinet (Refer to 1).
- (2) Disconnect the power supply and indoor/outdoor connecting wire and remove the back panel (Refer to 1).
- (3) Disconnect all connectors and lead wires on the inverter P.C. board.
- (4) Remove the compressor connector (CNMC).
- (5) Remove the screws fixing the heat sink support and the separator.
- (6) Remove the screws of the terminal block support and the back panel. (Photo 2)
- (7) Remove the inverter assembly.
- (8) Remove the screw of the earth wire and screws of the terminal block support.
- (9) Remove the hooks of the heat sink support and remove the heat sink support from the P.C. board support.
- (10) Remove the screw fixing the inverter P.C. board and remove the inverter P.C. board from the P.C. board support.

### 3. Removing the R.V. coil

- (1) Remove the service panel, the top panel and the cabinet (Refer to 1).
- (2) Disconnect the power supply and indoor/outdoor connecting wire and remove the back panel (Refer to 1).
- (3) Remove the inverter assembly (Refer to 2).
- (4) Remove the R.V. coil.

### 4. Removing the discharge temperature thermistor, defrost thermistor and outdoor heat exchanger temperature thermistor

- (1) Remove the service panel, the top panel and the cabinet (Refer to 1).
- (2) Disconnect the power supply and indoor/outdoor connecting wire and remove the back panel (Refer to 1).
- (3) Remove the inverter assembly (Refer to 2).
- (4) Pull out the discharge temperature thermistor from its holder.
- (5) Pull out the defrost thermistor from its holder (Photo 7).
- (6) Pull out the outdoor heat exchanger temperature thermistor from its holder (Photo 7).

## PHOTOS

Photo 4

Screws of the heat sink support and the separator

Inverter assembly



Photo 5

Screws of the terminal block support

Compressor connector

Reactor (ACL2)

P.C. board support

Hooks of the heat sink support

Screw of the earth wire  
Screw of the inverter P.C. board

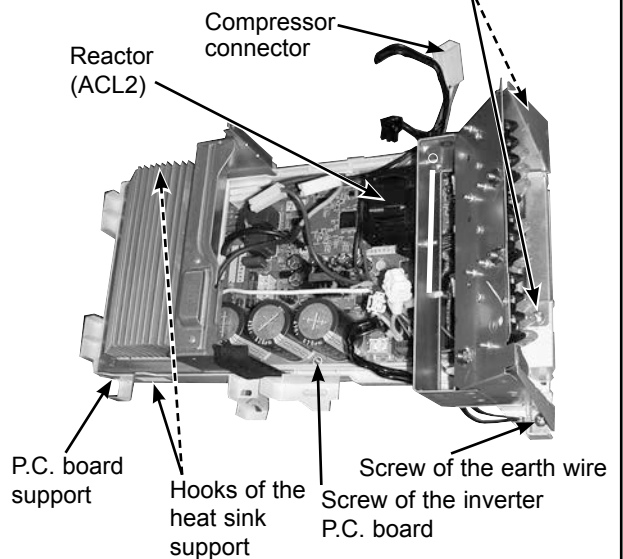
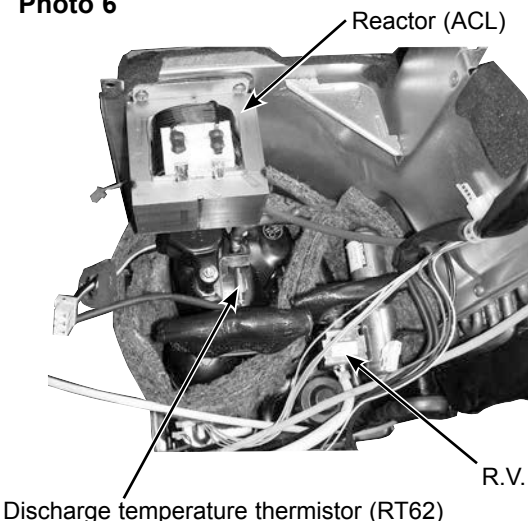


Photo 6

Reactor (ACL)

R.V. coil

Discharge temperature thermistor (RT62)



## OPERATING PROCEDURE

### 5. Removing the outdoor fan motor

- (1) Remove the service panel, the top panel and the cabinet (Refer to 1).
- (2) Disconnect the power supply and indoor/outdoor connecting wire.
- (3) Disconnect the connectors for outdoor fan motor.
- (4) Remove the propeller fan nut.
- (5) Remove the propeller fan.
- (6) Remove the screws fixing the fan motor.
- (7) Remove the fan motor.

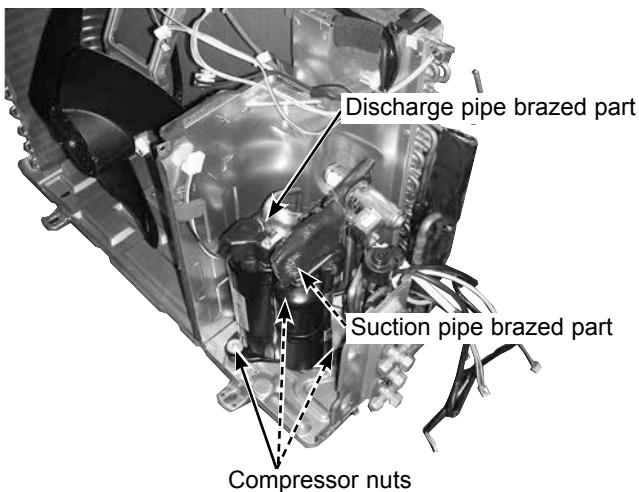
### 6. Removing the compressor and the 4-way valve

- (1) Remove the service panel, the top panel and the cabinet (Refer to 1).
- (2) Disconnect the power supply and indoor/outdoor connecting wire and remove the back panel (Refer to 1).
- (3) Remove the inverter assembly (Refer to 2).
- (4) Recover gas from the refrigerant circuit.

**NOTE:** Recover gas from the pipes until the pressure gauge shows 0 kg/cm<sup>2</sup> (0 MPa).

- (5) Detach the brazed part of the suction and the discharge pipe connected with compressor.
- (6) Remove the nuts of compressor legs.
- (7) Remove the compressor.
- (8) Detach the brazed part of pipes connected with 4-way valve.

Photo 10



## PHOTOS

Photo 7

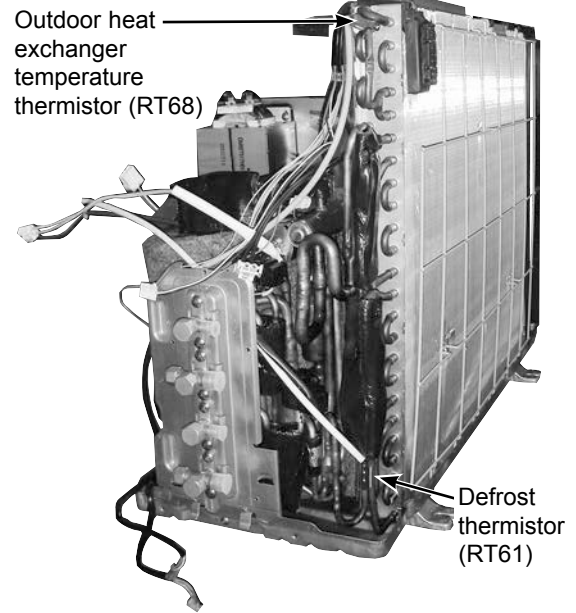


Photo 8

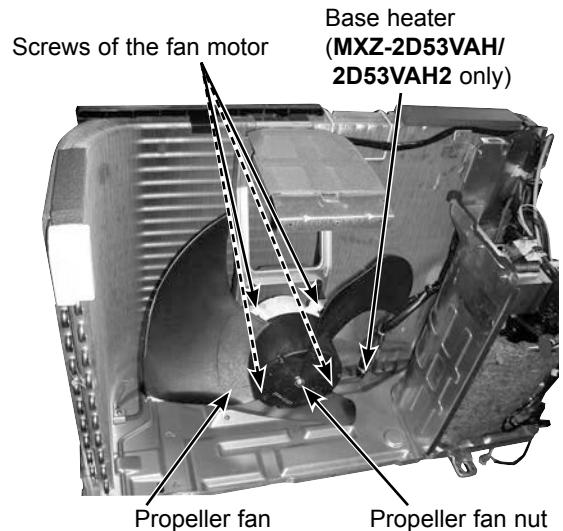
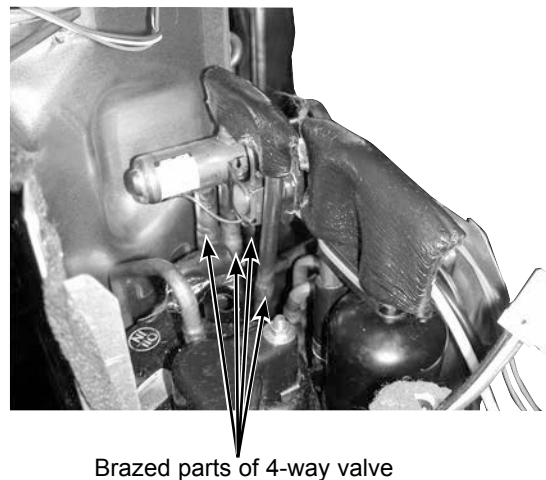


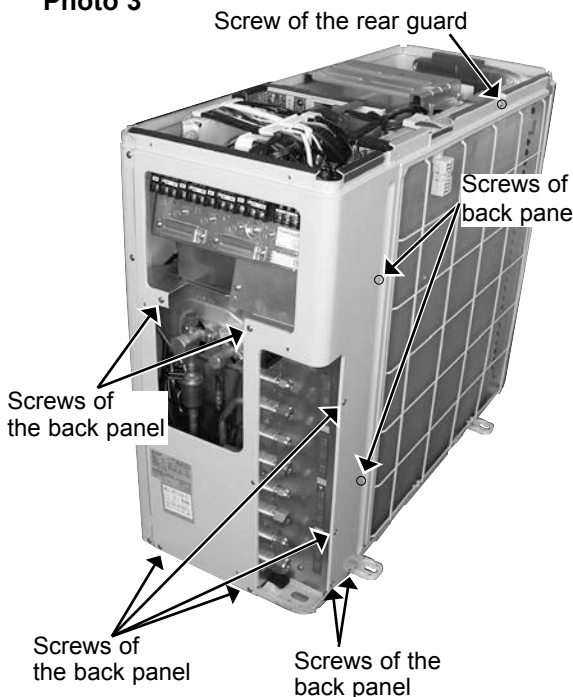
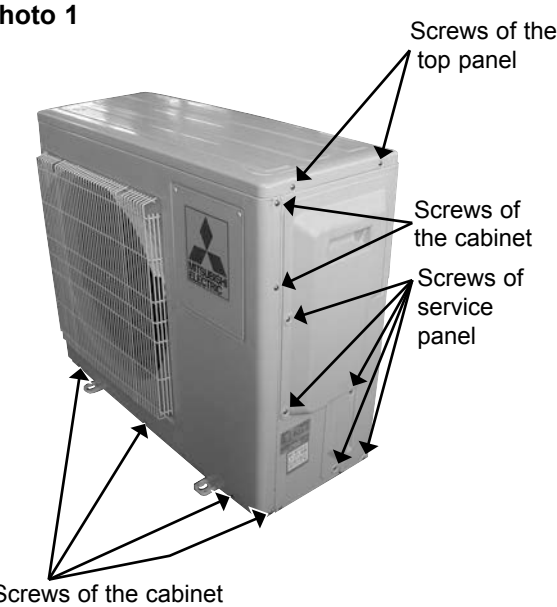
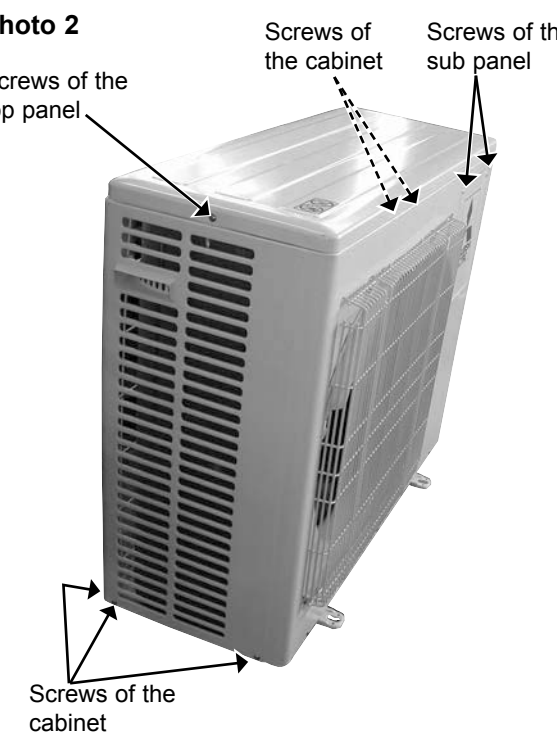
Photo 9





**12-2. MXZ-3D54VA MXZ-3D54VA2 MXZ-3D68VA MXZ-4D72VA**

**NOTE:** Turn OFF the power supply before disassembly.

OPERATING PROCEDURE	PHOTOS
<p><b>1. Removing the cabinet and the panels</b></p> <p>(1) Remove the screws of the service panel, and remove the service panel.</p> <p>(2) Remove the screws of the top panel, and remove the top panel.</p> <p>(3) Remove the screws of the cabinet, and remove the cabinet.</p> <p>(4) Remove the screws of the back panel, and remove the back panel (Photo 3).</p> <p><b>Photo 3</b></p> 	<p><b>Photo 1</b></p>  <p><b>Photo 2</b></p> 

## OPERATING PROCEDURE

### 2. Removing the outdoor control P.C. board, the outdoor power P.C. board and the noise filter P.C. board

- (1) Remove the service panel (Photo 1).
- (2) Remove the top panel, the cabinet, and the back panel (Photo 1, 2, 3).
- (3) Disconnect all connectors and lead wires on the outdoor control P.C. board.
- (4) Remove the outdoor control P.C. board.
- (5) Remove the screws fixing the outdoor power P.C. board.
- (6) Disconnect all connectors and lead wires on the outdoor power P.C. board.
- (7) Pull up the power P.C. board and remove it upward.
- (8) Disconnect all connectors and lead wires on the noise filter P.C. board.
- (9) Remove the noise filter P.C. board.

## PHOTOS

Photo 4

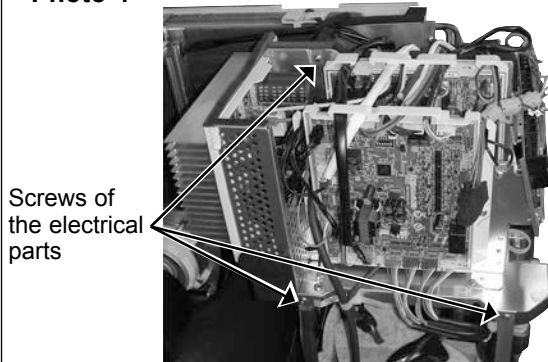
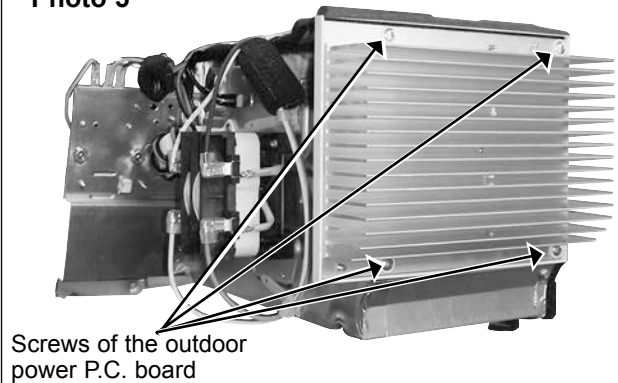


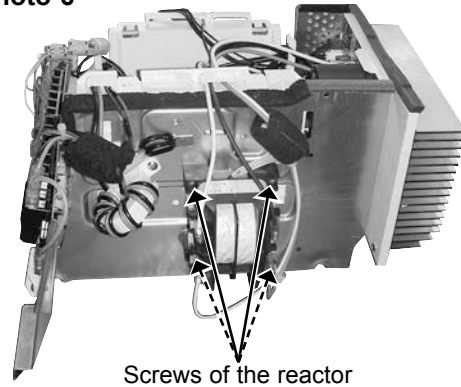
Photo 5



### 3. Removing the reactor

- (1) Remove the service panel (Photo 1).
- (2) Remove the top panel, cabinet, back panel, and the electrical parts (Photo 1, 2, 3, 4).
- (3) Disconnect the reactor lead wire from the terminal of the reactor.
- (4) Remove the screws of the reactor, and remove the reactor.

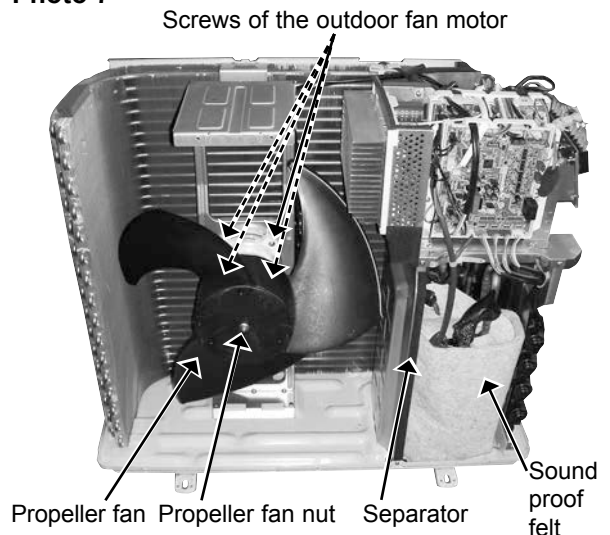
Photo 6



### 4. Removing the fan motor

- (1) Remove the service panel, the top panel, and the cabinet (Photo 1, 2).
- (2) Disconnect the connector CN931 on the outdoor control P.C. board.
- (3) Remove the propeller fan.
- (4) Remove the fan motor.

Photo 7



## OPERATING PROCEDURE

### 5. Removing the compressor and the 4-way valve

- (1) Remove the service panel (Photo 1).
- (2) Remove the top panel, the cabinet, and the back panel (Photo 1, 2, 3).
- (3) Recover gas from the refrigerant circuit.  
**NOTE:** Recover gas from the pipes until the pressure gauge shows 0 kg/cm<sup>2</sup> (0 MPa).
- (4) Disconnect the compressor lead wire from terminal of the compressor (U, V, W).
- (5) Disconnect the outdoor control P.C. board connectors:  
CN661, CN665, CN681 (**MXZ-3D54VA-ER3**, **-ER3**, **-ET3**, **MXZ-3D68VA**, **MXZ-4D72VA**), CN711, CN712, CN791, CN792, CN793, CN794 (**MXZ-4D72VA**), CN795, CN931
- (6) Remove the screws of the electrical parts, and remove the electrical parts (Photo 4).
- (7) Remove the propeller fan.
- (8) Remove the screws of the separator, and remove the separator (Photo 7).
- (9) Remove the sound proof felt (Photo 7).
- (10) Detach the brazed parts of the compressor suction and discharge pipes.
- (11) Remove the compressor nuts and remove the compressor.
- (12) Detach the brazed parts of 4-way valve and pipe.

### 6. Removing the expansion valve

- (1) Remove the service panel (Photo 1).
- (2) Remove the top panel, the cabinet, and the back panel (Photo 1, 2, 3).  
(Gas recovery is not required if the unit is pumped down.)
- (3) Remove the electrical parts for removing LEV E (Photo 4, 8).
- (4) Remove the LEV coils.
- (5) Detach the brazed parts of expansion valves and pipes.

## PHOTOS

Photo 8

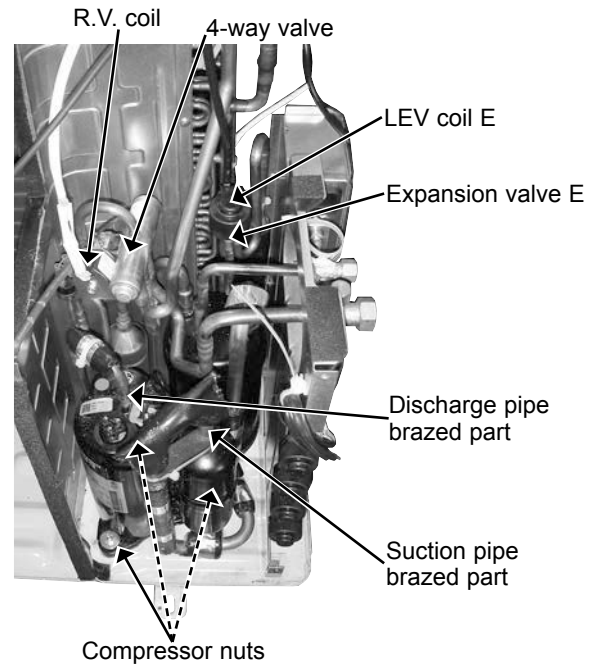


Photo 9

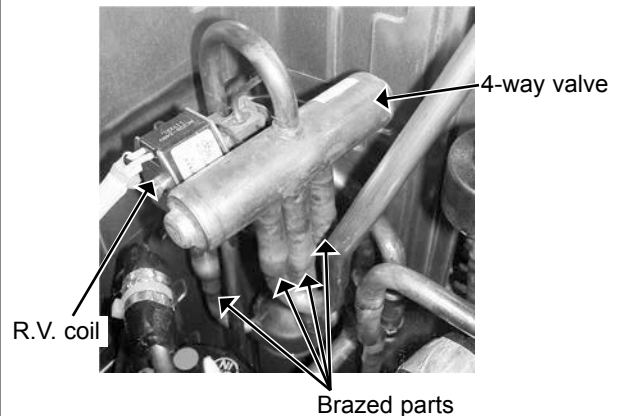
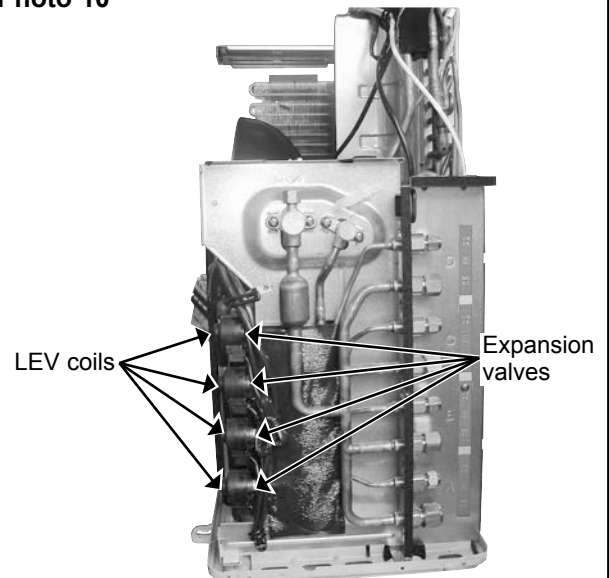


Photo 10



## 12-3. MXZ-4D83VA MXZ-5D102VA

**NOTE:** Turn OFF the power supply before disassembly.

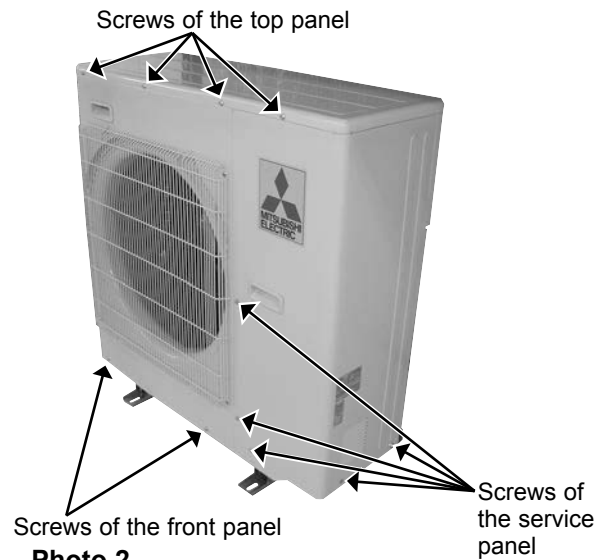
### OPERATING PROCEDURE

#### 1. Removing the panels

- (1) Remove the screws of the service panel, and remove the service panel.
- (2) Remove the screws of the top panel, and remove the service panel.
- (3) Remove the screws of the front panel, and remove the front panel.
- (4) Remove the screws of the rear panel, and remove the rear panel.

### PHOTOS

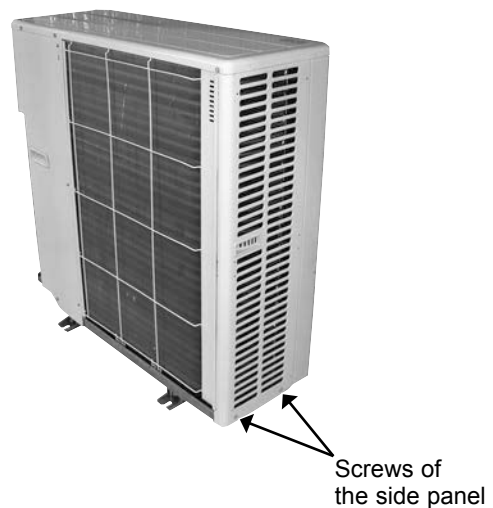
**Photo 1**

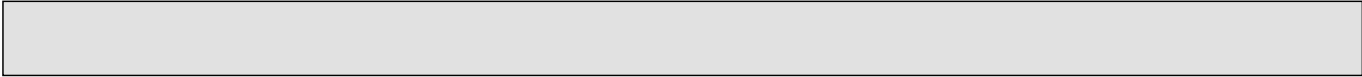


**Photo 2**



**Photo 3**

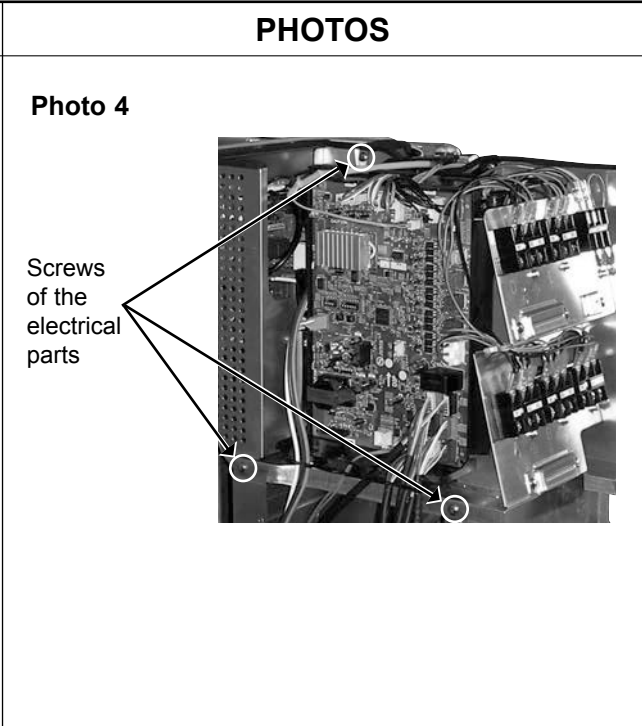




**OPERATING PROCEDURE**

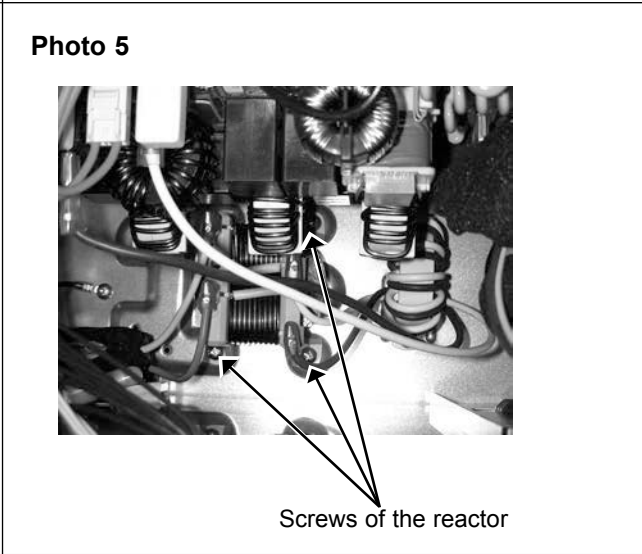
**2. Removing the outdoor control P.C. board the outdoor power P.C. board and the noise filter P.C. board**

- (1) Remove the service panel.
- (2) Remove the top panel, the front panel, and the rear panel.
- (3) Disconnect all connectors and lead wires on the outdoor control P.C. board.
- (4) Remove the outdoor control P.C. board.
- (5) Remove the screws fixing the outdoor power P.C. board.
- (6) Disconnect all connectors and lead wires on the outdoor power P.C. board.
- (7) Remove the outdoor power P.C. board.
- (8) Disconnect all connectors and lead wires on the noise filter P.C. board.
- (9) Remove the noise filter P.C. board.



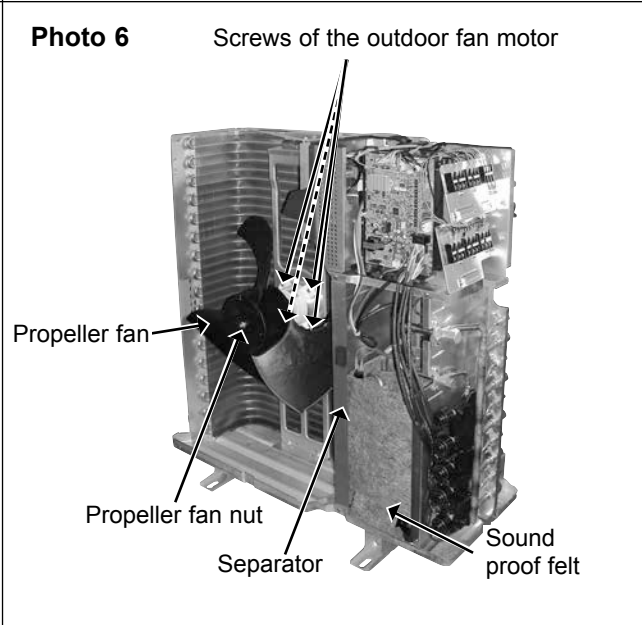
**3. Removing the reactor**

- (1) Remove the top panel (Photo 1).
- (2) Disconnect the reactor lead wire.
- (3) Remove the screws of the reactor, and remove the reactor.



**4. Removing the fan motor**

- (1) Remove the service panel, the top panel, and the front panel (Photo 1).
- (2) Disconnect the connector CN931 and CN932 on the outdoor control P.C. board.
- (3) Remove the propeller fan.
- (4) Remove the fan motor.



## OPERATING PROCEDURE

### 5. Removing the compressor and the 4-way valve

- (1) Remove the service panel (Photo 1).
- (2) Remove the top panel, the front panel and the rear panel.
- (3) Recover gas from the refrigerant circuit.

**NOTE:** Recover gas from the pipes until the pressure gauge shows 0 kg/cm<sup>2</sup> (0 MPa).

- (4) Disconnect the compressor lead wire from terminal of compressor (U, V, W).
- (5) Disconnect the outdoor control P.C. board connectors:  
CN661, CN663, CN681, CN791, CN792, CN793, CN794, CN795 (**MXZ-5D102VA**), CN796, CN931, CN932  
Disconnect the noise filter P.C. board connector:  
CN912
- (6) Remove the screws of the electrical parts, and remove the electrical parts.
- (7) Remove the propeller fan.
- (8) Remove the screws of the separator, and remove the separator (Photo 6).
- (9) Remove the sound proof felt (Photo 6).
- (10) Detach the brazed parts of the compressor suction and discharge pipes.
- (11) Remove the compressor nuts and remove the compressor.
- (12) Detach the brazed parts of 4-way valve and pipe.

### 6. Removing the expansion valve

- (1) Remove the service panel (Photo 1, 2).
- (2) Remove the top panel (Photo 1).  
(Gas recovery is not required if the unit is pumped down.)
- (3) Remove the front panel for removing LEV F (Photo 1).
- (4) Remove the electrical parts for removing LEV F (Photo 4).
- (5) Remove the LEV coils.
- (6) Detach the brazed parts of expansion valves and pipes.

## PHOTOS

Photo 7

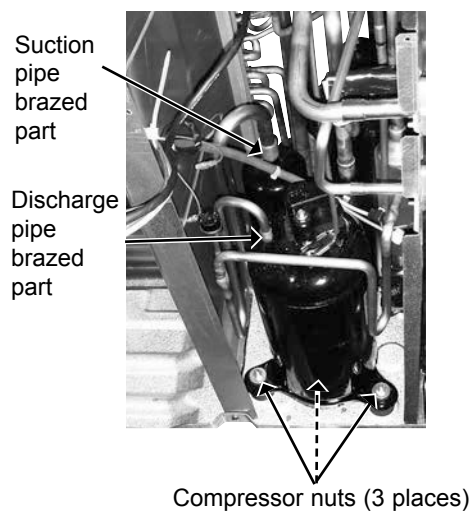


Photo 8

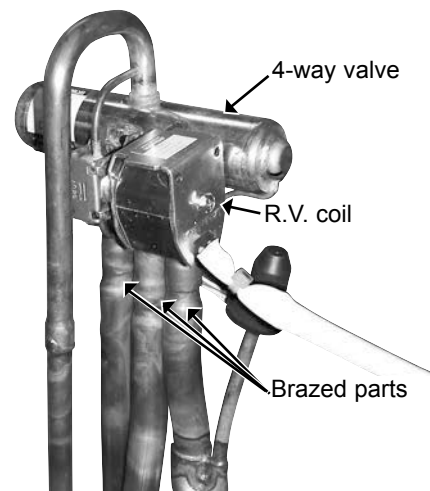
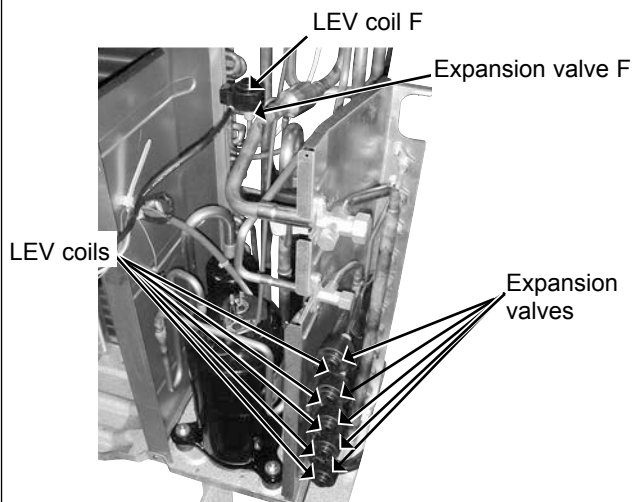


Photo 9



## 12-4. MXZ-6D122VA

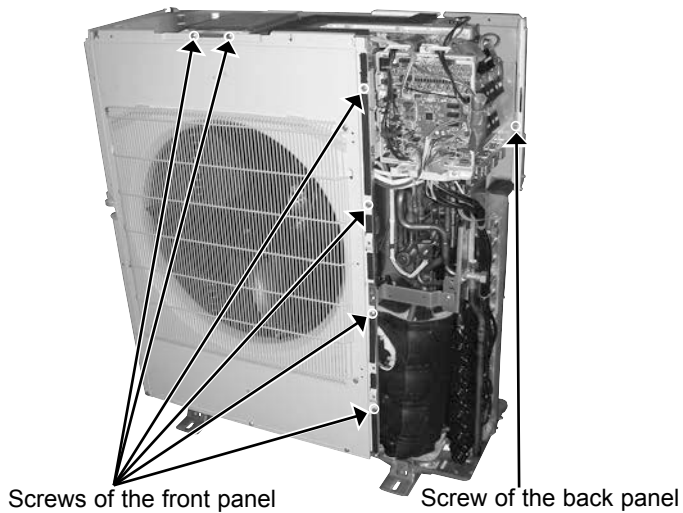
**NOTE:** Turn OFF the power supply before disassembly.

### OPERATING PROCEDURE

#### 1. Removing the panels

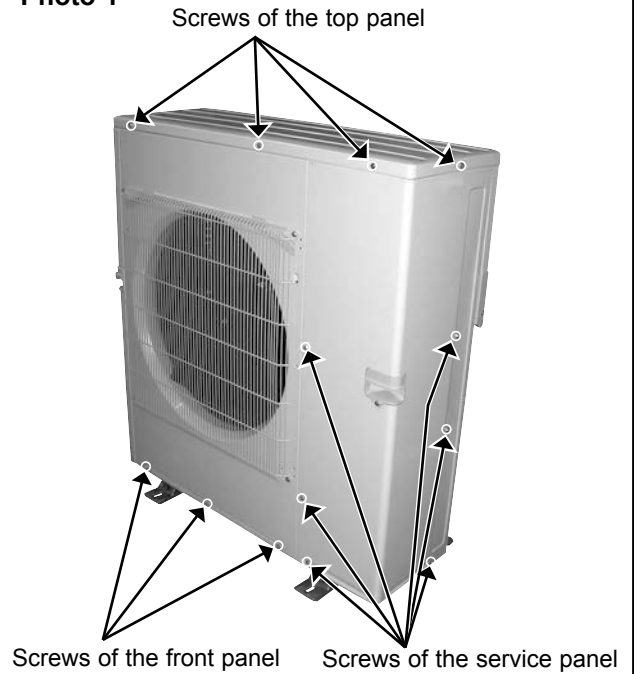
- (1) Remove the screws fixing the service panel, and remove the service panel.
- (2) Remove the screws fixing the top panel, remove the top panel.
- (3) Disconnect the power supply and indoor/outdoor connecting wire.
- (4) Remove the screws fixing the front panel, and remove the front panel.
- (5) Remove the screws fixing the back panel, and remove the back panel.

**Photo 3**

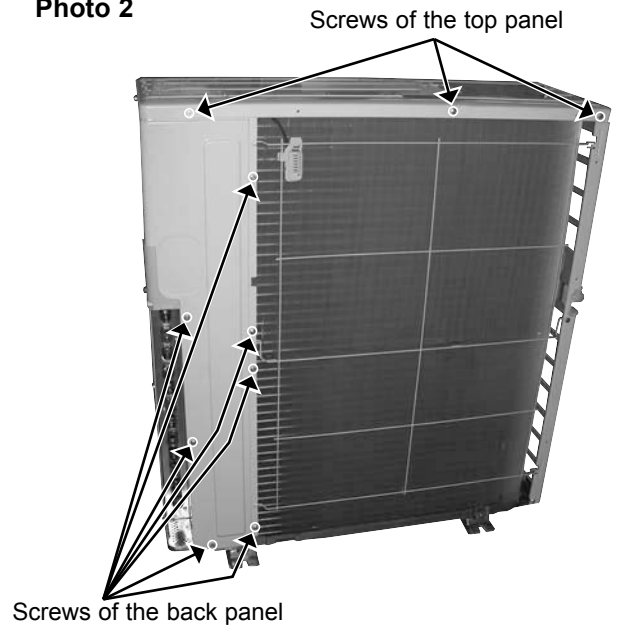


### PHOTOS

**Photo 1**



**Photo 2**

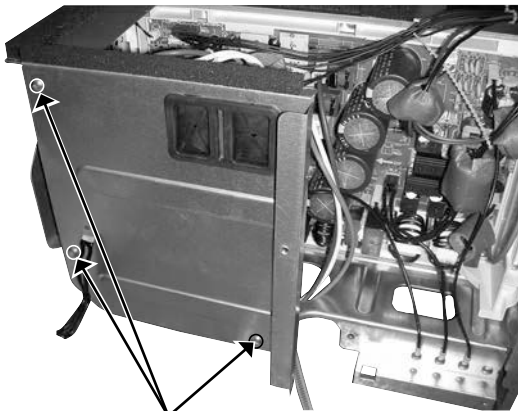


## OPERATING PROCEDURE

### 2. Removing the outdoor control P.C. board, the reactor and the outdoor power P.C. board

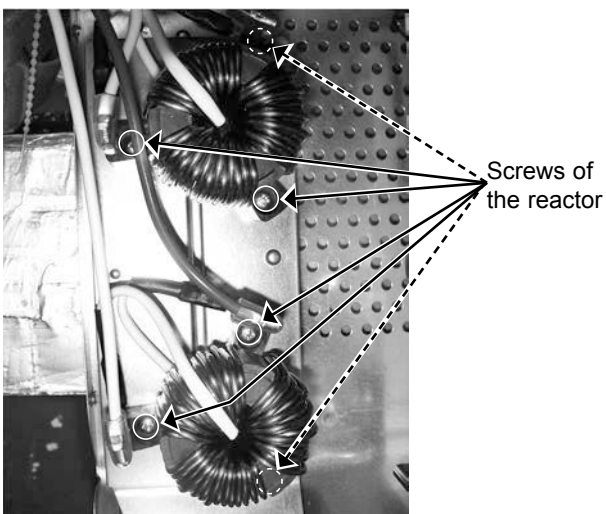
- (1) Remove the service panel, the top panel and the front panel (Refer to 1).
- (2) Disconnect the power supply and indoor/outdoor connecting wire.
- (3) Disconnect the connectors on the outdoor control P.C. board.
- (4) Remove the screws fixing the outdoor control P.C. board, and remove the outdoor control P.C. board.
- (5) Remove the screws fixing the electrical parts, and remove the electrical parts.
- (6) Remove the screws fixing the TB support, and remove the TB support.
- (7) Remove the screws fixing the control box separator, and remove the control box separator.
- (8) Disconnect the lead wire of the outdoor power P.C. board.
- (9) Remove the screws fixing the outdoor power P.C. board, and remove the outdoor power P.C. board with the outdoor P.C. board holder.
- (10) Remove the screws fixing the control box F, and remove the control box F.
- (11) Remove the screws fixing the reactors, and remove the reactors.

Photo 7



Screws of the control box F

Photo 8



Screws of the reactor

## PHOTOS

Photo 4

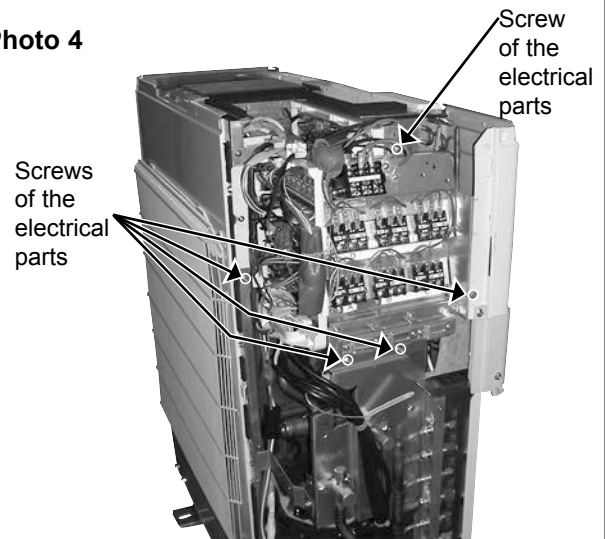


Photo 5

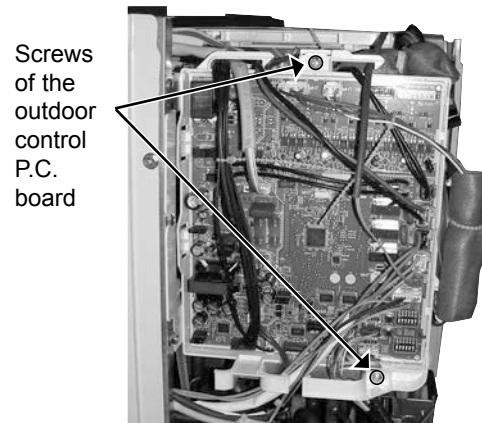
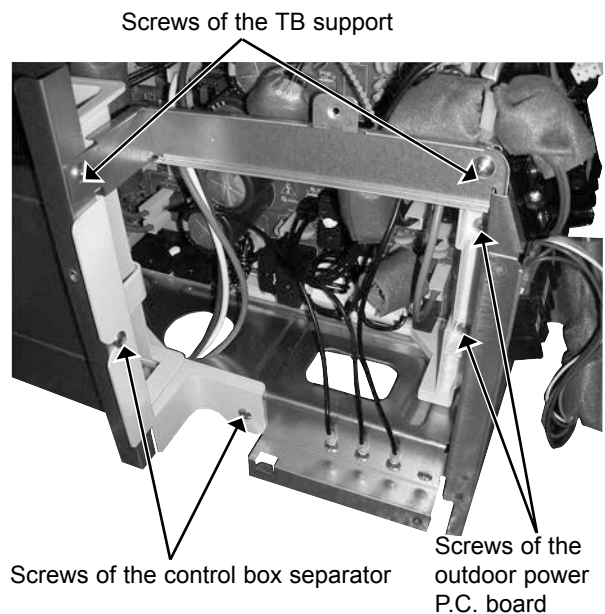


Photo 6





## OPERATING PROCEDURE

### 3. Removing the fan motor

- (1) Remove the service panel, the top panel and the front panel (Refer to 1).
- (2) Disconnect the power supply and indoor/outdoor connecting wire.
- (3) Disconnect the connector CNF1 on the outdoor control P.C. board.
- (4) Remove the propeller fan.
- (5) Remove the fan motor.

### 4. Removing the compressor and 4-way valve

- (1) Remove the service panel, the top panel, the back panel and the front panel (Refer to 1).
- (2) Disconnect the power supply and indoor/outdoor connecting wire, and remove the back panel.
- (3) Recover gas from the refrigerant circuit.  
**NOTE:** Recover gas from the pipes until the pressure gauge shows 0 kg/cm<sup>2</sup> (0 MPa).
- (5) Disconnect the compressor lead wire from the terminal of the compressor (U, V, W).
- (6) Disconnect the outdoor control P.C. board connectors: CNF1, CNTH1, CNTH2, CN63H, CN712, CN713, CN714, CN791, CN792, CN793, CN794, CN795
- (7) Remove the screws fixing the electrical parts, and remove the electrical parts (Photo 4).
- (8) Remove the propeller fan.
- (9) Remove the screws fixing the VB fixture, and remove the VB fixture.
- (10) Remove the screws fixing the separator, and remove the separator.  
**NOTE:** When installing the separator, insert the tabs of the heat exchanger into the separator.
- (11) Remove the sound proof felt.
- (12) Detach the brazed parts of the suction and discharge pipes (Photo 11).
- (13) Remove the nuts of the compressor, and remove the compressor (Photo 11).
- (14) Detach the brazed parts of 4-way valve and pipes.

## PHOTOS

Photo 9

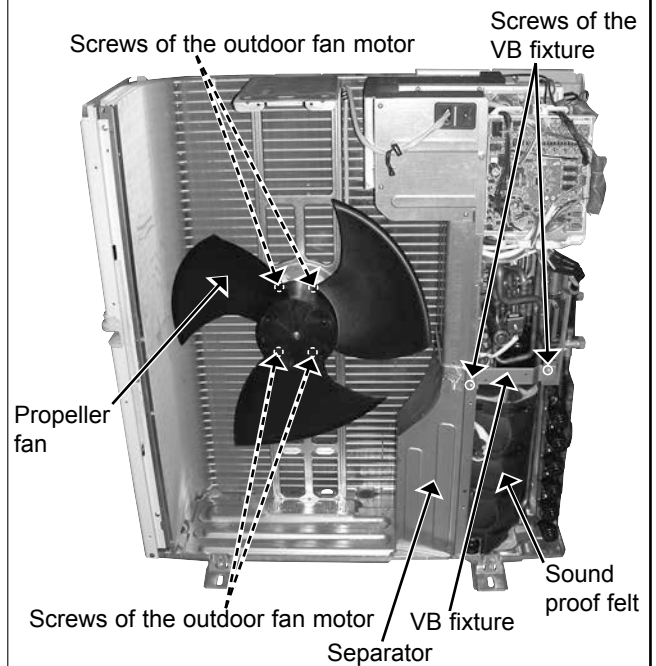


Photo 10



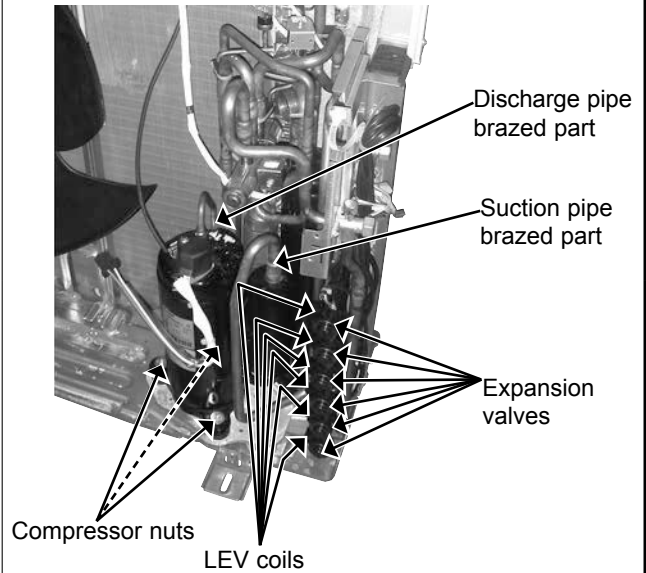
## OPERATING PROCEDURE

### 5. Removing the expansion valve

- (1) Remove the service panel and the top panel (Refer to 1).
- (2) Disconnect the power supply and indoor/outdoor connecting wire.  
(Gas recovery is not required if the unit is pumped down.)
- (3) Remove the LEV coils.
- (4) Detach the brazed parts of expansion valves and pipes.

## PHOTOS

Photo 11





# MITSUBISHI ELECTRIC CORPORATION

HEAD OFFICE: TOKYO BUILDING, 2-7-3, MARUNOUCHI, CHIYODA-KU, TOKYO 100-8310, JAPAN

© Copyright 2012 MITSUBISHI ELECTRIC CORPORATION

Issued: Feb. 2017. No.OBH626 REVISED EDITION-L

Issued: Mar. 2016. No.OBH626 REVISED EDITION-K

Issued: Dec. 2015. No.OBH626 REVISED EDITION-J

Issued: Apr. 2015. No.OBH626 REVISED EDITION-H

Issued: Jan. 2015. No.OBH626 REVISED EDITION-G

Issued: Aug. 2014. No.OBH626 REVISED EDITION-F

Issued: Apr. 2014. No.OBH626 REVISED EDITION-E

Issued: Jan. 2014. No.OBH626 REVISED EDITION-D

Issued: Oct. 2013. No.OBH626 REVISED EDITION-C

Issued: Jan. 2013. No.OBH626 REVISED EDITION-B

Issued: Dec. 2012. No.OBH626 REVISED EDITION-A

Published: Nov. 2012. No.OBH626

Made in Japan

Specifications are subject to change without notice.

## MXZ-2D33VA COOLING

Indoor units combination	Cooling capacity (kW)			Outdoor unit power consumption(kW)	Current (A)	Power factor(%)
	Unit A	Unit B	Total			
15	1.50	-	1.50 ( 0.90 - 2.40 )	0.333 ( 0.143 - 0.673 )	1.61	90
18	1.80	-	1.80 ( 0.90 - 3.00 )	0.326 ( 0.116 - 0.616 )	1.57	90
20	2.00	-	2.00 ( 0.90 - 2.60 )	0.441 ( 0.141 - 0.721 )	2.13	90
22	2.20	-	2.20 ( 0.90 - 3.00 )	0.406 ( 0.116 - 0.616 )	1.96	90
25	2.50	-	2.50 ( 0.90 - 3.30 )	0.486 ( 0.116 - 0.686 )	2.35	90
15+15	1.20	1.20	2.40 ( 1.10 - 3.80 )	0.536 ( 0.296 - 1.106 )	2.59	90
15+18	1.50	1.80	3.30 ( 1.10 - 3.80 )	0.869 ( 0.279 - 1.029 )	4.20	90
15+20	1.41	1.89	3.30 ( 1.10 - 3.80 )	0.894 ( 0.304 - 1.104 )	4.32	90
15+22	1.34	1.96	3.30 ( 1.10 - 3.80 )	0.869 ( 0.279 - 1.029 )	4.20	90
15+25	1.24	2.06	3.30 ( 1.10 - 3.80 )	0.892 ( 0.302 - 1.102 )	4.31	90
18+18	1.65	1.65	3.30 ( 1.10 - 3.80 )	0.752 ( 0.252 - 0.962 )	3.63	90
18+20	1.56	1.74	3.30 ( 1.10 - 3.80 )	0.867 ( 0.277 - 1.027 )	4.19	90
18+22	1.49	1.82	3.30 ( 1.10 - 3.80 )	0.892 ( 0.302 - 1.102 )	4.31	90
18+25	1.38	1.92	3.30 ( 1.10 - 3.90 )	0.752 ( 0.252 - 1.002 )	3.63	90
20+20	1.65	1.65	3.30 ( 1.10 - 3.80 )	0.892 ( 0.302 - 1.102 )	4.31	90
20+22	1.57	1.73	3.30 ( 1.10 - 3.80 )	0.867 ( 0.277 - 1.027 )	4.19	90
20+25	1.47	1.83	3.30 ( 1.10 - 3.80 )	0.867 ( 0.277 - 1.027 )	4.19	90
22+22	1.65	1.65	3.30 ( 1.10 - 3.80 )	0.752 ( 0.252 - 0.962 )	3.63	90
22+25	1.54	1.76	3.30 ( 1.10 - 3.90 )	0.752 ( 0.252 - 1.002 )	3.63	90
25+25	1.65	1.65	3.30 ( 1.10 - 4.00 )	0.752 ( 0.252 - 1.042 )	3.63	90

## MXZ-2D33VA HEATING

Indoor units combination	Heating capacity (kW)			Outdoor unit power consumption(kW)	Current (A)	Power factor(%)
	Unit A	Unit B	Total			
15	1.70	-	1.70 ( 0.90 - 3.10 )	0.353 ( 0.143 - 0.823 )	1.71	90
18	3.30	-	3.30 ( 0.90 - 4.00 )	0.673 ( 0.113 - 1.103 )	3.25	90
20	2.20	-	2.20 ( 0.90 - 3.10 )	0.471 ( 0.141 - 0.851 )	2.28	90
22	3.30	-	3.30 ( 0.90 - 4.00 )	0.673 ( 0.113 - 1.103 )	3.25	90
25	3.60	-	3.60 ( 0.90 - 4.40 )	0.733 ( 0.113 - 1.253 )	3.54	90
15+15	1.50	1.50	3.00 ( 1.00 - 3.90 )	0.636 ( 0.246 - 0.936 )	3.07	90
15+18	1.36	2.64	4.00 ( 1.00 - 4.10 )	0.916 ( 0.226 - 0.956 )	4.43	90
15+20	1.70	2.20	3.90 ( 1.00 - 4.00 )	0.934 ( 0.254 - 0.974 )	4.51	90
15+22	1.36	2.64	4.00 ( 1.00 - 4.10 )	0.916 ( 0.226 - 0.956 )	4.43	90
15+25	1.28	2.72	4.00 ( 1.00 - 4.00 )	0.972 ( 0.252 - 0.972 )	4.70	90
18+18	2.00	2.00	4.00 ( 1.00 - 4.30 )	0.836 ( 0.196 - 0.956 )	4.04	90
18+20	2.40	1.60	4.00 ( 1.00 - 4.10 )	0.914 ( 0.234 - 0.954 )	4.42	90
18+22	2.00	2.00	4.00 ( 1.00 - 4.00 )	0.972 ( 0.252 - 0.972 )	4.70	90
18+25	1.91	2.09	4.00 ( 1.00 - 4.30 )	0.836 ( 0.196 - 0.956 )	4.04	90
20+20	2.00	2.00	4.00 ( 1.00 - 4.00 )	0.972 ( 0.252 - 0.972 )	4.70	90
20+22	1.60	2.40	4.00 ( 1.00 - 4.10 )	0.914 ( 0.234 - 0.954 )	4.42	90
20+25	1.49	2.44	4.00 ( 1.00 - 4.10 )	0.914 ( 0.234 - 0.954 )	4.42	90
22+22	2.00	2.00	4.00 ( 1.00 - 4.30 )	0.836 ( 0.196 - 0.956 )	4.04	90
22+25	1.91	2.09	4.00 ( 1.00 - 4.30 )	0.836 ( 0.196 - 0.956 )	4.04	90
25+25	2.00	2.00	4.00 ( 1.00 - 4.40 )	0.836 ( 0.196 - 0.996 )	4.04	90

## MXZ-2D40VA COOLING

Indoor units combination	Cooling capacity (kW)			Outdoor unit power consumption(kW)	Current (A)	Power factor(%)
	Unit A	Unit B	Total			
15	1.50	-	1.50 ( 0.90 - 2.70 )	0.333 ( 0.263 - 0.893 )	1.61	90
18	1.80	-	1.80 ( 0.90 - 3.00 )	0.336 ( 0.116 - 0.616 )	1.62	90
20	2.00	-	2.00 ( 0.90 - 2.70 )	0.501 ( 0.261 - 0.891 )	2.42	90
22	2.20	-	2.20 ( 0.90 - 3.00 )	0.426 ( 0.116 - 0.616 )	2.06	90
25	2.50	-	2.50 ( 0.90 - 3.30 )	0.486 ( 0.116 - 0.686 )	2.35	90
35	3.50	-	3.50 ( 0.90 - 4.00 )	0.726 ( 0.116 - 0.896 )	3.51	90
15+15	1.40	1.40	2.80 ( 1.10 - 4.30 )	0.626 ( 0.446 - 1.286 )	3.02	90
15+18	1.50	1.80	3.30 ( 1.10 - 4.30 )	1.069 ( 0.289 - 1.539 )	5.16	90
15+20	1.41	1.89	3.30 ( 1.10 - 4.30 )	1.314 ( 0.334 - 1.944 )	6.35	90
15+22	1.34	1.96	3.30 ( 1.10 - 4.30 )	1.069 ( 0.289 - 1.539 )	5.16	90
15+25	1.50	2.50	4.00 ( 1.10 - 4.30 )	1.162 ( 0.292 - 1.472 )	5.61	90
15+35	1.20	2.80	4.00 ( 1.10 - 4.40 )	1.162 ( 0.292 - 1.512 )	5.61	90
18+18	1.65	1.65	3.30 ( 1.10 - 4.30 )	0.732 ( 0.252 - 1.142 )	3.54	90
18+20	1.66	1.84	3.50 ( 1.10 - 4.30 )	1.137 ( 0.287 - 1.537 )	5.49	90
18+22	1.80	2.20	4.00 ( 1.10 - 4.30 )	0.942 ( 0.252 - 1.142 )	4.55	90
18+25	1.67	2.33	4.00 ( 1.10 - 4.40 )	0.942 ( 0.252 - 1.182 )	4.55	90
18+35	1.36	2.64	4.00 ( 1.10 - 4.40 )	0.942 ( 0.252 - 1.182 )	4.55	90
20+20	2.00	2.00	4.00 ( 1.10 - 4.30 )	1.222 ( 0.442 - 1.282 )	5.90	90
20+22	1.90	2.10	4.00 ( 1.10 - 4.30 )	1.307 ( 0.287 - 1.537 )	6.31	90
20+25	1.78	2.22	4.00 ( 1.10 - 4.30 )	1.307 ( 0.287 - 1.537 )	6.31	90
20+35	1.45	2.55	4.00 ( 1.10 - 4.40 )	1.307 ( 0.287 - 1.577 )	6.31	90
22+22	2.00	2.00	4.00 ( 1.10 - 4.30 )	0.942 ( 0.252 - 1.142 )	4.55	90
22+25	1.87	2.13	4.00 ( 1.10 - 4.40 )	0.942 ( 0.252 - 1.182 )	4.55	90
22+35	1.54	2.46	4.00 ( 1.10 - 4.40 )	0.942 ( 0.252 - 1.182 )	4.55	90
25+25	2.00	2.00	4.00 ( 1.10 - 4.40 )	0.942 ( 0.252 - 1.182 )	4.55	90
25+35	1.67	2.33	4.00 ( 1.10 - 4.50 )	0.942 ( 0.252 - 1.212 )	4.55	90

## MXZ-2D40VA HEATING

Indoor units combination	Heating capacity (kW)			Outdoor unit power consumption(kW)	Current (A)	Power factor(%)
	Unit A	Unit B	Total			
15	1.70	-	1.70 ( 0.90 - 3.10 )	0.383 ( 0.233 - 1.083 )	1.85	90
18	3.30	-	3.30 ( 0.90 - 4.00 )	0.673 ( 0.113 - 0.913 )	3.25	90
20	2.20	-	2.20 ( 0.90 - 3.10 )	0.551 ( 0.231 - 1.081 )	2.66	90
22	3.30	-	3.30 ( 0.90 - 4.00 )	0.673 ( 0.113 - 0.913 )	3.25	90
25	3.60	-	3.60 ( 0.90 - 4.50 )	0.733 ( 0.113 - 1.053 )	3.54	90
35	4.00	-	4.00 ( 0.90 - 4.80 )	0.869 ( 0.109 - 1.149 )	4.20	90
15+15	1.60	1.60	3.20 ( 1.00 - 4.80 )	0.666 ( 0.356 - 1.126 )	3.22	90
15+18	1.36	2.64	4.00 ( 1.00 - 4.80 )	1.056 ( 0.276 - 1.366 )	5.10	90
15+20	1.70	2.20	3.90 ( 1.00 - 4.80 )	1.314 ( 0.364 - 1.724 )	6.35	90
15+22	1.36	2.64	4.00 ( 1.00 - 4.80 )	1.056 ( 0.276 - 1.366 )	5.10	90
15+25	1.44	3.06	4.50 ( 1.00 - 4.80 )	1.116 ( 0.276 - 1.296 )	5.39	90
15+35	1.34	3.16	4.50 ( 1.00 - 4.90 )	1.116 ( 0.276 - 1.326 )	5.39	90
18+18	2.00	2.00	4.00 ( 1.00 - 4.80 )	0.786 ( 0.196 - 0.996 )	3.80	90
18+20	2.40	1.60	4.00 ( 1.00 - 4.80 )	1.054 ( 0.284 - 1.364 )	5.09	90
18+22	2.25	2.25	4.50 ( 1.00 - 4.80 )	0.916 ( 0.196 - 0.996 )	4.43	90
18+25	2.15	2.35	4.50 ( 1.00 - 4.80 )	0.916 ( 0.196 - 0.996 )	4.43	90
18+35	2.03	2.47	4.50 ( 1.00 - 4.90 )	0.912 ( 0.202 - 1.022 )	4.41	90
20+20	2.20	2.20	4.40 ( 1.00 - 4.80 )	1.052 ( 0.362 - 1.122 )	5.08	90
20+22	1.80	2.70	4.50 ( 1.00 - 4.80 )	1.184 ( 0.284 - 1.364 )	5.72	90
20+25	1.71	2.79	4.50 ( 1.00 - 4.80 )	1.184 ( 0.284 - 1.364 )	5.72	90
20+35	1.60	2.90	4.50 ( 1.00 - 4.90 )	1.180 ( 0.280 - 1.390 )	5.70	90
22+22	2.25	2.25	4.50 ( 1.00 - 4.80 )	0.916 ( 0.196 - 0.996 )	4.43	90
22+25	2.15	2.35	4.50 ( 1.00 - 4.80 )	0.916 ( 0.196 - 0.996 )	4.43	90
22+35	2.03	2.47	4.50 ( 1.00 - 4.90 )	0.912 ( 0.202 - 1.022 )	4.41	90
25+25	2.25	2.25	4.50 ( 1.00 - 4.90 )	0.916 ( 0.196 - 1.026 )	4.43	90
25+35	2.13	2.37	4.50 ( 1.00 - 5.00 )	0.912 ( 0.202 - 1.052 )	4.41	90



## MXZ-2D42VA/MXZ-2D42VA2 COOLING

Indoor units combination	Cooling capacity (kW)			Outdoor unit power consumption(kW)	Current (A)	Power factor(%)
	Unit A	Unit B	Total			
15	1.50	-	1.50 (0.90~2.70)	0.333 (0.263~0.893)	1.52	95
18	1.80	-	1.80 (0.90~3.00)	0.336 (0.116~0.616)	1.54	95
20	2.00	-	2.00 (0.90~2.70)	0.501 (0.261~0.891)	2.29	95
22	2.20	-	2.20 (0.90~3.00)	0.426 (0.116~0.616)	1.95	95
25	2.50	-	2.50 (0.90~3.30)	0.486 (0.116~0.686)	2.22	95
35	3.50	-	3.50 (0.90~4.00)	0.726 (0.116~0.896)	3.32	95
15+15	1.40	1.40	2.80 (1.10~4.30)	0.626 (0.446~1.286)	2.81	97
15+18	1.50	1.80	3.30 (1.10~4.30)	1.069 (0.289~1.539)	4.79	97
15+20	1.41	1.89	3.30 (1.10~4.30)	1.314 (0.334~1.944)	5.89	97
15+22	1.34	1.96	3.30 (1.10~4.30)	1.069 (0.289~1.539)	4.79	97
15+25	1.50	2.50	4.00 (1.10~4.30)	1.162 (0.292~1.472)	5.21	97
15+35	1.20	2.80	4.00 (1.10~4.40)	1.162 (0.292~1.512)	5.21	97
18+18	1.65	1.65	3.30 (1.10~4.30)	0.732 (0.252~1.142)	3.28	97
18+20	1.66	1.84	3.50 (1.10~4.30)	1.137 (0.287~1.537)	5.01	97
18+22	1.80	2.20	4.00 (1.10~4.30)	0.942 (0.252~1.142)	4.22	97
18+25	1.67	2.33	4.20 (1.10~4.40)	0.972 (0.252~1.182)	4.36	97
18+35	1.36	2.64	4.20 (1.10~4.40)	0.972 (0.252~1.182)	4.36	97
20+20	2.00	2.00	4.00 (1.10~4.30)	1.222 (0.442~1.282)	5.48	97
20+25	1.78	2.22	4.20 (1.10~4.30)	1.432 (0.287~1.537)	6.42	97
20+35	1.45	2.55	4.20 (1.10~4.40)	1.432 (0.287~1.577)	6.42	97
22+22	2.00	2.00	4.20 (1.10~4.40)	0.972 (0.252~1.182)	4.36	97
22+25	1.87	2.13	4.20 (1.10~4.40)	0.972 (0.252~1.182)	4.36	97
22+35	1.54	2.46	4.20 (1.10~4.40)	0.972 (0.252~1.182)	4.36	97
25+25	2.00	2.00	4.20 (1.10~4.40)	0.972 (0.252~1.182)	4.36	97
25+35	1.67	2.33	4.20 (1.10~4.50)	0.972 (0.252~1.212)	4.36	97

## MXZ-2D42VA/MXZ-2D42VA2 HEATING

Indoor units combination	Heating capacity (kW)			Outdoor unit power consumption(kW)	Current (A)	Power factor(%)
	Unit A	Unit B	Total			
15	1.70	-	1.70 (0.90~3.10)	0.383 (0.233~1.083)	1.75	95
18	3.30	-	3.30 (0.90~4.00)	0.673 (0.113~0.913)	3.08	95
20	2.20	-	2.20 (0.90~3.10)	0.551 (0.231~1.081)	2.52	95
22	3.30	-	3.30 (0.90~4.00)	0.673 (0.113~0.913)	3.08	95
25	3.60	-	3.60 (0.90~4.50)	0.733 (0.113~1.053)	3.35	95
35	4.00	-	4.00 (0.90~4.80)	0.869 (0.109~1.149)	3.98	95
15+15	1.60	1.60	3.20 (1.00~4.80)	0.666 (0.356~1.724)	3.99	97
15+18	1.36	2.64	4.00 (1.00~4.80)	1.056 (0.276~1.366)	4.73	97
15+20	1.70	2.20	3.90 (1.00~4.80)	1.314 (0.364~1.724)	5.89	97
15+22	1.36	2.64	4.00 (1.00~4.80)	1.056 (0.276~1.366)	4.73	97
15+25	1.44	3.06	4.50 (1.00~4.80)	1.116 (0.276~1.366)	5.00	97
15+35	1.34	3.16	4.50 (1.00~4.90)	1.116 (0.276~1.390)	5.00	97
18+18	2.00	2.00	4.00 (1.00~4.80)	0.786 (0.196~0.996)	3.52	97
18+20	2.40	1.60	4.00 (1.00~4.80)	1.054 (0.284~1.366)	4.72	97
18+22	2.25	2.25	4.50 (1.00~4.80)	0.876 (0.196~0.996)	3.93	97
18+25	2.15	2.35	4.50 (1.00~4.80)	0.876 (0.196~0.996)	3.93	97
18+35	2.03	2.47	4.50 (1.00~4.90)	0.876 (0.202~1.022)	3.93	97
20+20	2.20	2.20	4.40 (1.00~4.80)	1.052 (0.362~1.724)	4.72	97
20+25	1.71	2.79	4.50 (1.00~4.80)	1.184 (0.284~1.366)	5.31	97
20+35	1.60	2.90	4.50 (1.00~4.90)	1.180 (0.280~1.390)	5.29	97
22+22	2.25	2.25	4.50 (1.00~4.80)	0.876 (0.196~0.996)	3.93	97
22+25	2.15	2.35	4.50 (1.00~4.80)	0.876 (0.196~0.996)	3.93	97
22+35	2.03	2.47	4.50 (1.00~4.90)	0.872 (0.202~1.022)	3.91	97
25+25	2.25	2.25	4.50 (1.00~4.90)	0.876 (0.196~1.026)	3.93	97
25+35	2.13	2.37	4.50 (1.00~5.00)	0.872 (0.202~1.052)	3.91	97

## MXZ-2D53VA(H)/MXZ-2D53VA(H)2 COOLING

Indoor units combination	Cooling capacity (kW)			Outdoor unit power consumption(kW)	Current (A)	Power factor(%)
	Unit A	Unit B	Total			
15	1.50	-	1.50 ( 0.90 - 2.80 )	0.313 ( 0.283 - 0.823 )	1.43	95
18	1.80	-	1.80 ( 0.90 - 3.00 )	0.326 ( 0.116 - 0.616 )	1.49	95
20	2.00	-	2.00 ( 0.90 - 2.90 )	0.471 ( 0.281 - 0.871 )	2.16	95
22	2.20	-	2.20 ( 0.90 - 3.00 )	0.426 ( 0.116 - 0.616 )	1.95	95
25	2.50	-	2.50 ( 0.90 - 3.30 )	0.486 ( 0.116 - 0.686 )	2.22	95
35	3.50	-	3.50 ( 0.90 - 4.00 )	0.726 ( 0.116 - 0.896 )	3.32	95
42	4.20	-	4.20 ( 1.00 - 4.90 )	1.096 ( 0.156 - 1.496 )	5.02	95
50	4.50	-	4.50 ( 1.00 - 5.00 )	1.222 ( 0.162 - 1.552 )	5.59	95
15+15	1.50	1.50	3.00 ( 1.10 - 4.80 )	0.706 ( 0.326 - 1.326 )	3.16	97
15+18	1.50	1.80	3.30 ( 1.10 - 5.00 )	0.779 ( 0.289 - 1.299 )	3.49	97
15+20	1.50	2.00	3.50 ( 1.10 - 4.80 )	0.914 ( 0.334 - 1.324 )	4.10	97
15+22	1.50	2.20	3.70 ( 1.10 - 5.00 )	0.959 ( 0.289 - 1.299 )	4.30	97
15+25	1.50	2.50	4.00 ( 1.10 - 4.80 )	1.332 ( 0.372 - 1.652 )	5.97	97
15+35	1.50	3.50	5.00 ( 1.10 - 5.60 )	1.452 ( 0.292 - 1.882 )	6.51	97
15+42	1.39	3.91	5.30 ( 1.10 - 5.60 )	1.732 ( 0.292 - 1.882 )	7.76	97
15+50	1.22	4.08	5.30 ( 1.10 - 5.80 )	1.855 ( 0.295 - 2.035 )	8.31	97
18+18	1.80	1.80	3.60 ( 1.10 - 5.30 )	0.912 ( 0.252 - 1.512 )	4.09	97
18+20	1.80	2.00	3.80 ( 1.10 - 5.00 )	0.987 ( 0.287 - 1.297 )	4.42	97
18+22	1.80	2.20	4.00 ( 1.10 - 4.80 )	1.112 ( 0.332 - 1.322 )	4.98	97
18+25	1.80	2.50	4.30 ( 1.10 - 5.40 )	1.072 ( 0.252 - 1.532 )	4.81	97
18+35	1.80	3.50	5.30 ( 1.10 - 5.60 )	1.512 ( 0.252 - 1.552 )	6.78	97
18+42	1.59	3.71	5.30 ( 1.10 - 5.80 )	1.512 ( 0.252 - 1.582 )	6.78	97
18+50	1.40	3.90	5.30 ( 1.10 - 6.00 )	1.508 ( 0.248 - 1.618 )	6.76	97
20+20	2.00	2.00	4.00 ( 1.10 - 4.80 )	1.112 ( 0.332 - 1.322 )	4.98	97
20+22	2.00	2.20	4.20 ( 1.10 - 5.00 )	1.107 ( 0.287 - 1.297 )	4.96	97
20+25	2.00	2.50	4.50 ( 1.10 - 5.20 )	1.177 ( 0.287 - 1.617 )	5.28	97
20+35	1.93	3.37	5.30 ( 1.10 - 5.60 )	1.857 ( 0.287 - 2.007 )	8.32	97
20+42	1.71	3.59	5.30 ( 1.10 - 5.80 )	1.857 ( 0.287 - 2.037 )	8.32	97
20+50	1.51	3.79	5.30 ( 1.10 - 6.00 )	1.732 ( 0.292 - 1.952 )	7.76	97
22+22	2.20	2.20	4.40 ( 1.10 - 5.30 )	1.102 ( 0.252 - 1.512 )	4.94	97
22+25	2.20	2.50	4.70 ( 1.10 - 5.40 )	1.162 ( 0.252 - 1.532 )	5.21	97
22+35	2.05	3.25	5.30 ( 1.10 - 5.60 )	1.512 ( 0.252 - 1.552 )	6.78	97
22+42	1.82	3.48	5.30 ( 1.10 - 5.80 )	1.512 ( 0.252 - 1.582 )	6.78	97
22+50	1.62	3.68	5.30 ( 1.10 - 6.00 )	1.508 ( 0.248 - 1.618 )	6.76	97
25+25	2.50	2.50	5.00 ( 1.10 - 5.60 )	1.232 ( 0.252 - 1.552 )	5.52	97
25+35	2.21	3.09	5.30 ( 1.10 - 5.80 )	1.512 ( 0.252 - 1.582 )	6.78	97
25+42	1.98	3.32	5.30 ( 1.10 - 5.80 )	1.512 ( 0.252 - 1.582 )	6.78	97
25+50	1.77	3.53	5.30 ( 1.10 - 6.00 )	1.508 ( 0.248 - 1.618 )	6.76	97
35+35	2.65	2.65	5.30 ( 1.10 - 6.00 )	1.512 ( 0.252 - 1.622 )	6.78	97

## MXZ-2D53VA(H)/MXZ-2D53VA(H)2 HEATING

Indoor units combination	Heating capacity (kW)			Outdoor unit power consumption(kW)	Current (A)	Power factor(%)
	Unit A	Unit B	Total			
15	1.70	-	1.70 ( 0.90 - 3.10 )	0.473 ( 0.203 - 1.143 )	2.16	95
18	3.30	-	3.30 ( 0.90 - 4.00 )	0.673 ( 0.113 - 0.913 )	3.08	95
20	2.20	-	2.20 ( 0.90 - 3.30 )	0.701 ( 0.201 - 1.171 )	3.21	95
22	3.30	-	3.30 ( 0.90 - 4.00 )	0.673 ( 0.113 - 0.913 )	3.08	95
25	3.60	-	3.60 ( 0.90 - 4.50 )	0.733 ( 0.113 - 1.053 )	3.35	95
35	4.00	-	4.00 ( 0.90 - 4.80 )	0.869 ( 0.109 - 1.149 )	3.98	95
42	4.80	-	4.80 ( 0.90 - 5.30 )	1.579 ( 0.099 - 1.999 )	7.23	95
50	5.00	-	5.00 ( 0.90 - 5.50 )	1.776 ( 0.096 - 2.076 )	8.13	95
15+15	1.70	1.70	3.40 ( 1.00 - 5.00 )	0.706 ( 0.356 - 1.176 )	3.16	97
15+18	1.46	2.84	4.30 ( 1.00 - 5.30 )	0.926 ( 0.356 - 1.246 )	4.15	97
15+20	1.70	2.20	3.90 ( 1.00 - 5.20 )	0.874 ( 0.364 - 1.314 )	3.92	97
15+22	1.46	2.84	4.30 ( 1.00 - 5.30 )	0.926 ( 0.356 - 1.246 )	4.15	97
15+25	1.44	3.06	4.50 ( 1.00 - 5.40 )	1.232 ( 0.442 - 1.752 )	5.52	97
15+35	1.70	4.00	5.70 ( 1.00 - 7.00 )	1.756 ( 0.276 - 2.126 )	7.87	97
15+42	1.67	4.73	6.40 ( 1.00 - 7.00 )	1.842 ( 0.282 - 2.122 )	8.26	97
15+50	1.62	4.78	6.40 ( 1.00 - 7.00 )	1.949 ( 0.279 - 2.249 )	8.74	97
18+18	3.05	3.05	6.10 ( 1.00 - 6.70 )	1.376 ( 0.196 - 1.736 )	6.17	97
18+20	3.12	2.08	5.20 ( 1.00 - 6.10 )	1.214 ( 0.364 - 1.484 )	5.44	97
18+22	2.25	2.25	4.50 ( 1.00 - 5.40 )	1.032 ( 0.362 - 1.452 )	4.63	97
18+25	2.97	3.23	6.20 ( 1.00 - 6.80 )	1.466 ( 0.196 - 1.766 )	6.57	97
18+35	2.89	3.51	6.40 ( 1.00 - 7.00 )	1.642 ( 0.202 - 1.822 )	7.36	97
18+42	2.61	3.79	6.40 ( 1.00 - 7.00 )	1.642 ( 0.202 - 1.822 )	7.36	97
18+50	2.54	3.86	6.40 ( 1.00 - 7.00 )	1.639 ( 0.199 - 1.819 )	7.35	97
20+20	2.20	2.20	4.40 ( 1.00 - 5.40 )	1.032 ( 0.362 - 1.452 )	4.63	97
20+22	2.08	3.12	5.20 ( 1.00 - 6.10 )	1.214 ( 0.364 - 1.484 )	5.44	97
20+25	2.05	3.35	5.40 ( 1.00 - 6.20 )	1.344 ( 0.364 - 1.574 )	6.02	97
20+35	2.20	4.00	6.20 ( 1.00 - 7.00 )	1.950 ( 0.280 - 2.250 )	8.74	97
20+42	2.01	4.39	6.40 ( 1.00 - 7.00 )	1.950 ( 0.280 - 2.250 )	8.74	97
20+50	1.96	4.44	6.40 ( 1.00 - 7.00 )	1.838 ( 0.278 - 2.118 )	8.24	97
22+22	3.05	3.05	6.10 ( 1.00 - 6.70 )	1.376 ( 0.196 - 1.736 )	6.17	97
22+25	2.97	3.23	6.20 ( 1.00 - 6.80 )	1.466 ( 0.196 - 1.766 )	6.57	97
22+35	2.89	3.51	6.40 ( 1.00 - 7.00 )	1.642 ( 0.202 - 1.822 )	7.36	97
22+42	2.61	3.79	6.40 ( 1.00 - 7.00 )	1.642 ( 0.202 - 1.822 )	7.36	97
22+50	2.54	3.86	6.40 ( 1.00 - 7.00 )	1.639 ( 0.199 - 1.819 )	7.35	97
25+25	3.15	3.15	6.30 ( 1.00 - 7.00 )	1.556 ( 0.196 - 1.826 )	6.97	97
25+35	3.03	3.37	6.40 ( 1.00 - 7.00 )	1.642 ( 0.202 - 1.822 )	7.36	97
25+42	2.74	3.66	6.40 ( 1.00 - 7.00 )	1.642 ( 0.202 - 1.822 )	7.36	97
25+50	2.68	3.72	6.40 ( 1.00 - 7.00 )	1.639 ( 0.199 - 1.819 )	7.35	97
35+35	3.20	3.20	6.40 ( 1.00 - 7.00 )	1.638 ( 0.198 - 1.818 )	7.34	97

# MXZ-3D54VA COOLING

Indoor units combination	Cooling capacity (kW)						Outdoor unit power consumption(kW)	Current (A)	Power factor(%)
	Unit A	Unit B	Unit C	Unit D	Unit E	Total			
15	1.50	-	-	-	-	1.50 (1.40-3.00)	0.490 (0.450-1.020)	2.15	99
18	1.80	-	-	-	-	1.80 (1.40-3.00)	0.420 (0.420-0.740)	1.84	99
20	2.00	-	-	-	-	2.00 (1.40-3.00)	0.540 (0.450-1.020)	2.37	99
22	2.20	-	-	-	-	2.20 (1.40-3.00)	0.510 (0.420-0.740)	2.24	99
25	2.50	-	-	-	-	2.50 (1.40-3.30)	0.580 (0.420-0.830)	2.55	99
35	3.50	-	-	-	-	3.50 (1.50-4.30)	0.820 (0.430-1.180)	3.60	99
42	4.20	-	-	-	-	4.20 (1.60-5.00)	1.080 (0.450-1.420)	4.74	99
50	5.00	-	-	-	-	5.00 (1.60-5.60)	1.430 (0.480-1.660)	6.28	99
15+15	1.50	1.50	-	-	-	3.00 (2.00-5.40)	0.790 (0.540-1.800)	3.47	99
15+18	1.50	1.80	-	-	-	3.30 (2.00-5.40)	0.841 (0.620-1.890)	3.69	99
15+20	1.50	2.00	-	-	-	3.50 (2.00-5.40)	0.885 (0.700-2.005)	3.89	99
15+22	1.50	2.20	-	-	-	3.70 (2.00-5.40)	0.929 (0.660-1.850)	4.08	99
15+25	1.50	2.50	-	-	-	4.00 (2.00-5.40)	1.130 (0.780-1.970)	4.96	99
15+35	1.50	3.50	-	-	-	5.00 (2.00-6.00)	1.470 (0.620-2.150)	6.46	99
15+42	1.42	3.98	-	-	-	5.40 (2.00-6.80)	1.613 (0.620-2.790)	7.08	99
15+50	1.25	4.15	-	-	-	5.40 (2.00-6.80)	1.613 (0.630-2.780)	7.08	99
18+18	1.80	1.80	-	-	-	3.60 (2.00-5.40)	0.832 (0.540-1.640)	3.65	99
18+20	1.80	2.00	-	-	-	3.80 (2.00-5.40)	0.996 (0.700-1.890)	4.37	99
18+22	1.80	2.20	-	-	-	4.00 (2.00-5.40)	1.100 (0.700-1.800)	4.83	99
18+25	1.80	2.50	-	-	-	4.30 (2.00-5.40)	1.177 (0.580-1.680)	5.17	99
18+35	1.80	3.50	-	-	-	5.30 (2.00-6.60)	1.547 (0.540-2.460)	6.79	99
18+42	1.62	3.78	-	-	-	5.40 (2.00-6.80)	1.583 (0.540-2.620)	6.95	99
18+50	1.43	3.97	-	-	-	5.40 (2.00-6.80)	1.583 (0.550-2.610)	6.95	99
20+20	2.00	2.00	-	-	-	4.00 (2.00-5.40)	1.100 (0.700-1.800)	4.83	99
20+22	2.00	2.20	-	-	-	4.20 (2.00-5.40)	1.181 (0.700-1.890)	5.19	99
20+25	2.00	2.50	-	-	-	4.50 (2.00-5.50)	1.272 (0.620-1.865)	5.59	99
20+35	1.96	3.44	-	-	-	5.40 (2.00-6.80)	1.613 (0.620-2.790)	7.08	99
20+42	1.74	3.66	-	-	-	5.40 (2.00-6.80)	1.613 (0.620-2.790)	7.08	99
20+50	1.54	3.86	-	-	-	5.40 (2.00-6.80)	1.613 (0.630-2.780)	7.08	99
22+22	2.20	2.20	-	-	-	4.40 (2.00-5.40)	1.202 (0.540-1.640)	5.28	99
22+25	2.20	2.50	-	-	-	4.70 (2.00-5.70)	1.321 (0.540-1.810)	5.80	99
22+35	2.08	3.32	-	-	-	5.40 (2.00-6.80)	1.583 (0.540-2.620)	6.95	99
22+42	1.86	3.54	-	-	-	5.40 (2.00-6.80)	1.583 (0.540-2.620)	6.95	99
22+50	1.65	3.75	-	-	-	5.40 (2.00-6.80)	1.583 (0.550-2.610)	6.95	99
25+25	2.50	2.50	-	-	-	5.00 (2.00-6.00)	1.440 (0.540-1.980)	6.32	99
25+35	2.25	3.15	-	-	-	5.40 (2.00-6.80)	1.583 (0.540-2.620)	6.95	99
25+42	2.01	3.39	-	-	-	5.40 (2.00-6.80)	1.583 (0.540-2.620)	6.95	99
25+50	1.80	3.60	-	-	-	5.40 (2.00-6.80)	1.583 (0.550-2.610)	6.95	99
35+35	2.70	2.70	-	-	-	5.40 (2.00-6.80)	1.583 (0.540-2.620)	6.95	99
35+42	2.45	2.95	-	-	-	5.40 (2.00-6.80)	1.583 (0.550-2.620)	6.95	99
35+50	2.22	3.18	-	-	-	5.40 (2.00-6.80)	1.580 (0.560-2.595)	6.94	99

# MXZ-3D54VA COOLING

Indoor units combination	Cooling capacity (kW)						Outdoor unit power consumption(kW)	Current (A)	Power factor(%)
	Unit A	Unit B	Unit C	Unit D	Unit E	Total			
42+42	2.70	2.70	-	-	-	5.40 (2.00-6.80)	1.583 (0.550-2.620)	6.95	99
42+50	2.47	2.93	-	-	-	5.40 (2.10-6.80)	1.557 (0.570-2.470)	6.84	99
50+50	2.70	2.70	-	-	-	5.40 (2.10-6.80)	1.530 (0.560-2.340)	6.72	99
15+15+15	1.50	1.50	1.50	-	-	4.50 (2.90-6.80)	0.960 (0.670-1.770)	4.22	99
15+15+18	1.50	1.50	1.80	-	-	4.80 (2.90-6.80)	1.189 (0.730-2.130)	5.22	99
15+15+20	1.50	1.50	2.00	-	-	5.00 (2.90-6.80)	1.326 (0.760-2.310)	5.82	99
15+15+22	1.50	1.50	2.20	-	-	5.20 (2.90-6.80)	1.362 (0.730-2.130)	5.98	99
15+15+25	1.47	1.47	2.45	-	-	5.40 (2.90-6.80)	1.448 (0.730-2.130)	6.36	99
15+15+35	1.25	1.25	2.91	-	-	5.40 (2.90-6.80)	1.448 (0.730-2.130)	6.36	99
15+15+42	1.13	1.13	3.15	-	-	5.40 (2.90-6.80)	1.428 (0.730-2.120)	6.27	99
15+15+50	1.01	1.01	3.38	-	-	5.40 (2.90-6.80)	1.418 (0.730-2.110)	6.23	99
15+18+18	1.50	1.80	1.80	-	-	5.10 (2.90-6.80)	1.269 (0.700-1.950)	5.57	99
15+18+20	1.50	1.80	2.00	-	-	5.30 (2.90-6.80)	1.405 (0.730-2.130)	6.17	99
15+18+22	1.47	1.77	2.16	-	-	5.40 (2.90-6.80)	1.398 (0.700-1.950)	6.14	99
15+18+25	1.40	1.68	2.33	-	-	5.40 (2.90-6.80)	1.398 (0.700-1.950)	6.14	99
15+18+35	1.19	1.43	2.78	-	-	5.40 (2.90-6.80)	1.398 (0.700-1.950)	6.14	99
15+18+42	1.08	1.30	3.02	-	-	5.40 (2.90-6.80)	1.378 (0.700-1.940)	6.05	99
15+18+50	0.98	1.17	3.25	-	-	5.40 (2.90-6.80)	1.368 (0.700-1.930)	6.01	99
15+20+20	1.47	1.96	1.96	-	-	5.40 (2.90-6.80)	1.498 (0.760-2.310)	6.58	99
15+20+22	1.42	1.89	2.08	-	-	5.40 (2.90-6.80)	1.448 (0.730-2.130)	6.36	99
15+20+25	1.35	1.80	2.25	-	-	5.40 (2.90-6.80)	1.448 (0.730-2.130)	6.36	99
15+20+35	1.16	1.54	2.70	-	-	5.40 (2.90-6.80)	1.448 (0.730-2.130)	6.36	99
15+20+42	1.05	1.40	2.95	-	-	5.40 (2.90-6.80)	1.428 (0.730-2.120)	6.27	99
15+20+50	0.95	1.27	3.18	-	-	5.40 (2.90-6.80)	1.418 (0.730-2.110)	6.23	99
15+22+22	1.37	2.01	2.01	-	-	5.40 (2.90-6.80)	1.398 (0.700-1.950)	6.14	99
15+22+25	1.31	1.92	2.18	-	-	5.40 (2.90-6.80)	1.398 (0.700-1.950)	6.14	99
15+22+35	1.13	1.65	2.63	-	-	5.40 (2.90-6.80)	1.398 (0.700-1.950)	6.14	99
15+22+42	1.03	1.50	2.87	-	-	5.40 (2.90-6.80)	1.378 (0.700-1.940)	6.05	99
15+22+50	0.93	1.37	3.10	-	-	5.40 (2.90-6.80)	1.368 (0.700-1.930)	6.01	99
15+25+25	1.25	2.08	2.08	-	-	5.40 (2.90-6.80)	1.398 (0.700-1.950)	6.14	99
15+25+35	1.08	1.80	2.52	-	-	5.40 (2.90-6.80)	1.398 (0.700-1.950)	6.14	99
15+25+42	0.99	1.65	2.77	-	-	5.40 (2.90-6.80)	1.378 (0.700-1.940)	6.05	99
15+25+50	0.90	1.50	3.00	-	-	5.40 (2.90-6.80)	1.368 (0.700-1.930)	6.01	99
15+35+35	0.95	2.22	2.22	-	-	5.40 (2.90-6.80)	1.398 (0.700-1.950)	6.14	99
15+35+42	0.88	2.05	2.47	-	-	5.40 (2.90-6.80)	1.378 (0.700-1.940)	6.05	99
15+35+50	0.81	1.89	2.70	-	-	5.40 (2.90-6.80)	1.368 (0.700-1.930)	6.01	99
15+42+42	0.82	2.29	2.29	-	-	5.40 (2.90-6.80)	1.358 (0.700-1.930)	5.96	99
18+18+18	1.80	1.80	1.80	-	-	5.40 (2.90-6.80)	1.348 (0.670-1.770)	5.92	99
18+18+20	1.74	1.74	1.93	-	-	5.40 (2.90-6.80)	1.398 (0.700-1.950)	6.14	99
18+18+22	1.68	1.68	2.05	-	-	5.40 (2.90-6.80)	1.348 (0.670-1.770)	5.92	99
18+18+25	1.59	1.59	2.21	-	-	5.40 (2.90-6.80)	1.348 (0.670-1.770)	5.92	99

# MXZ-3D54VA COOLING

Indoor units combination	Cooling capacity (kW)						Outdoor unit power consumption(kW)	Current (A)	Power factor(%)
	Unit A	Unit B	Unit C	Unit D	Unit E	Total			
18+18+35	1.37	1.37	2.66	-	-	5.40 (2.90-6.80)	1.348 (0.670-1.770)	5.92	99
18+18+42	1.25	1.25	2.91	-	-	5.40 (2.90-6.80)	1.328 (0.670-1.760)	5.83	99
18+18+50	1.13	1.13	3.14	-	-	5.40 (2.90-6.80)	1.318 (0.670-1.750)	5.79	99
18+20+20	1.68	1.86	1.86	-	-	5.40 (2.90-6.80)	1.448 (0.730-2.130)	6.36	99
18+20+22	1.62	1.80	1.98	-	-	5.40 (2.90-6.80)	1.398 (0.700-1.950)	6.14	99
18+20+25	1.54	1.71	2.14	-	-	5.40 (2.90-6.80)	1.398 (0.700-1.950)	6.14	99
18+20+35	1.33	1.48	2.59	-	-	5.40 (2.90-6.80)	1.398 (0.700-1.950)	6.14	99
18+20+42	1.22	1.35	2.84	-	-	5.40 (2.90-6.80)	1.378 (0.700-1.940)	6.05	99
18+20+50	1.10	1.23	3.07	-	-	5.40 (2.90-6.80)	1.368 (0.700-1.930)	6.01	99
18+22+22	1.57	1.92	1.92	-	-	5.40 (2.90-6.80)	1.348 (0.670-1.770)	5.92	99
18+22+25	1.50	1.83	2.08	-	-	5.40 (2.90-6.80)	1.348 (0.670-1.770)	5.92	99
18+22+35	1.30	1.58	2.52	-	-	5.40 (2.90-6.80)	1.348 (0.670-1.770)	5.92	99
18+22+42	1.19	1.45	2.77	-	-	5.40 (2.90-6.80)	1.328 (0.670-1.760)	5.83	99
18+22+50	1.08	1.32	3.00	-	-	5.40 (2.90-6.80)	1.318 (0.670-1.750)	5.79	99
18+25+25	1.43	1.99	1.99	-	-	5.40 (2.90-6.80)	1.348 (0.670-1.770)	5.92	99
18+25+35	1.25	1.73	2.42	-	-	5.40 (2.90-6.80)	1.348 (0.670-1.770)	5.92	99
18+25+42	1.14	1.59	2.67	-	-	5.40 (2.90-6.80)	1.328 (0.670-1.760)	5.83	99
18+25+50	1.05	1.45	2.90	-	-	5.40 (2.90-6.80)	1.318 (0.670-1.750)	5.79	99
18+35+35	1.10	2.15	2.15	-	-	5.40 (2.90-6.80)	1.348 (0.670-1.770)	5.92	99
18+35+42	1.02	1.99	2.39	-	-	5.40 (2.90-6.80)	1.328 (0.670-1.760)	5.83	99
20+20+20	1.80	1.80	1.80	-	-	5.40 (2.90-6.80)	1.498 (0.760-2.310)	6.58	99
20+20+22	1.74	1.74	1.92	-	-	5.40 (2.90-6.80)	1.448 (0.730-2.130)	6.36	99
20+20+25	1.66	1.66	2.08	-	-	5.40 (2.90-6.80)	1.448 (0.730-2.130)	6.36	99
20+20+35	1.44	1.44	2.52	-	-	5.40 (2.90-6.80)	1.448 (0.730-2.130)	6.36	99
20+20+42	1.32	1.32	2.77	-	-	5.40 (2.90-6.80)	1.428 (0.730-2.120)	6.27	99
20+20+50	1.20	1.20	3.00	-	-	5.40 (2.90-6.80)	1.418 (0.730-2.110)	6.23	99
20+22+22	1.69	1.86	1.86	-	-	5.40 (2.90-6.80)	1.398 (0.700-1.950)	6.14	99
20+22+25	1.61	1.77	2.01	-	-	5.40 (2.90-6.80)	1.398 (0.700-1.950)	6.14	99
20+22+35	1.40	1.54	2.45	-	-	5.40 (2.90-6.80)	1.398 (0.700-1.950)	6.14	99
20+22+42	1.29	1.41	2.70	-	-	5.40 (2.90-6.80)	1.378 (0.700-1.940)	6.05	99
20+22+50	1.17	1.29	2.93	-	-	5.40 (2.90-6.80)	1.368 (0.700-1.930)	6.01	99
20+25+25	1.54	1.93	1.93	-	-	5.40 (2.90-6.80)	1.398 (0.700-1.950)	6.14	99
20+25+35	1.35	1.69	2.36	-	-	5.40 (2.90-6.80)	1.398 (0.700-1.950)	6.14	99
20+25+42	1.24	1.55	2.61	-	-	5.40 (2.90-6.80)	1.378 (0.700-1.940)	6.05	99
20+25+50	1.14	1.42	2.84	-	-	5.40 (2.90-6.80)	1.368 (0.700-1.930)	6.01	99
20+35+35	1.20	2.10	2.10	-	-	5.40 (2.90-6.80)	1.398 (0.700-1.950)	6.14	99
20+35+42	1.11	1.95	2.34	-	-	5.40 (2.90-6.80)	1.378 (0.700-1.940)	6.05	99
22+22+22	1.80	1.80	1.80	-	-	5.40 (2.90-6.80)	1.348 (0.670-1.770)	5.92	99
22+22+25	1.72	1.72	1.96	-	-	5.40 (2.90-6.80)	1.348 (0.670-1.770)	5.92	99
22+22+35	1.50	1.50	2.39	-	-	5.40 (2.90-6.80)	1.348 (0.670-1.770)	5.92	99
22+22+42	1.38	1.38	2.64	-	-	5.40 (2.90-6.80)	1.328 (0.670-1.760)	5.83	99

## MXZ-3D54VA COOLING

Indoor units combination	Cooling capacity (kW)						Outdoor unit power consumption(kW)	Current (A)	Power factor(%)
	Unit A	Unit B	Unit C	Unit D	Unit E	Total			
22+22+50	1.26	1.26	2.87	-	-	5.40 (2.90-6.80)	1.318 (0.670-1.750)	5.79	99
22+25+25	1.65	1.88	1.88	-	-	5.40 (2.90-6.80)	1.348 (0.670-1.770)	5.92	99
22+25+35	1.45	1.65	2.30	-	-	5.40 (2.90-6.80)	1.348 (0.670-1.770)	5.92	99
22+25+42	1.33	1.52	2.55	-	-	5.40 (2.90-6.80)	1.328 (0.670-1.760)	5.83	99
22+25+50	1.22	1.39	2.78	-	-	5.40 (2.90-6.80)	1.318 (0.670-1.750)	5.79	99
22+35+35	1.29	2.05	2.05	-	-	5.40 (2.90-6.80)	1.348 (0.670-1.770)	5.92	99
22+35+42	1.20	1.91	2.29	-	-	5.40 (2.90-6.80)	1.328 (0.670-1.760)	5.83	99
25+25+25	1.80	1.80	1.80	-	-	5.40 (2.90-6.80)	1.348 (0.670-1.770)	5.92	99
25+25+35	1.59	1.59	2.22	-	-	5.40 (2.90-6.80)	1.348 (0.670-1.770)	5.92	99
25+25+42	1.47	1.47	2.47	-	-	5.40 (2.90-6.80)	1.328 (0.670-1.760)	5.83	99
25+25+50	1.35	1.35	2.70	-	-	5.40 (2.90-6.80)	1.318 (0.670-1.750)	5.79	99
25+35+35	1.42	1.99	1.99	-	-	5.40 (2.90-6.80)	1.348 (0.670-1.770)	5.92	99



# MXZ-3D54VA HEATING

Indoor units combination	Heating capacity (kW)						Outdoor unit power consumption(kW)	Current (A)	Power factor(%)
	Unit A	Unit B	Unit C	Unit D	Unit E	Total			
15	1.70	-	-	-	-	1.70 (1.20-3.00)	0.460 (0.400-1.020)	2.02	99
18	3.30	-	-	-	-	3.30 (1.20-4.20)	0.780 (0.380-1.090)	3.43	99
20	2.20	-	-	-	-	2.20 (1.20-3.90)	0.610 (0.390-1.440)	2.68	99
22	3.30	-	-	-	-	3.30 (1.20-4.20)	0.780 (0.380-1.090)	3.43	99
25	3.60	-	-	-	-	3.60 (1.20-4.50)	0.880 (0.380-1.190)	3.86	99
35	4.00	-	-	-	-	4.00 (1.20-4.80)	1.020 (0.380-1.300)	4.48	99
42	5.40	-	-	-	-	5.40 (1.30-6.50)	1.400 (0.370-1.800)	6.15	99
50	6.80	-	-	-	-	6.80 (1.40-8.20)	1.770 (0.370-2.300)	7.77	99
15+15	1.70	1.70	-	-	-	3.40 (1.80-5.00)	0.796 (0.670-1.300)	3.50	99
15+18	1.70	3.30	-	-	-	5.00 (1.80-6.10)	1.146 (0.540-1.530)	5.03	99
15+20	1.70	2.20	-	-	-	3.90 (1.80-5.80)	0.966 (0.650-1.625)	4.24	99
15+22	1.70	3.30	-	-	-	5.00 (1.80-6.10)	1.146 (0.540-1.530)	5.03	99
15+25	1.60	3.40	-	-	-	5.00 (1.80-6.10)	1.146 (0.540-1.530)	5.03	99
15+35	1.55	3.65	-	-	-	5.20 (1.80-7.90)	1.230 (0.540-2.090)	5.40	99
15+42	1.25	3.95	-	-	-	5.20 (1.80-7.90)	1.230 (0.540-2.090)	5.40	99
15+50	1.04	4.16	-	-	-	5.20 (1.80-7.90)	1.220 (0.540-2.080)	5.36	99
18+18	3.30	3.30	-	-	-	6.60 (1.80-7.20)	1.496 (0.410-1.760)	6.57	99
18+20	3.30	2.20	-	-	-	5.50 (1.80-6.90)	1.316 (0.520-1.855)	5.78	99
18+22	3.30	3.30	-	-	-	6.60 (1.80-7.20)	1.496 (0.410-1.760)	6.57	99
18+25	3.16	3.44	-	-	-	6.60 (1.80-7.20)	1.496 (0.410-1.760)	6.57	99
18+35	3.07	3.73	-	-	-	6.80 (1.80-9.00)	1.580 (0.410-2.320)	6.94	99
18+42	2.58	4.22	-	-	-	6.80 (1.80-9.00)	1.580 (0.410-2.320)	6.94	99
18+50	2.22	4.58	-	-	-	6.80 (1.80-9.00)	1.570 (0.410-2.310)	6.90	99
20+20	2.20	2.20	-	-	-	4.40 (1.80-6.60)	1.136 (0.630-1.950)	4.99	99
20+22	2.20	3.30	-	-	-	5.50 (1.80-6.90)	1.316 (0.520-1.855)	5.78	99
20+25	2.09	3.41	-	-	-	5.50 (1.80-7.20)	1.330 (0.520-1.950)	5.84	99
20+35	2.02	3.68	-	-	-	5.70 (1.80-8.70)	1.400 (0.520-2.415)	6.15	99
20+42	1.65	4.05	-	-	-	5.70 (1.80-8.70)	1.400 (0.520-2.415)	6.15	99
20+50	1.39	4.31	-	-	-	5.70 (1.80-8.70)	1.390 (0.520-2.405)	6.10	99
22+22	3.30	3.30	-	-	-	6.60 (1.80-7.20)	1.496 (0.410-1.760)	6.57	99
22+25	3.20	3.50	-	-	-	6.70 (1.80-8.10)	1.538 (0.410-2.040)	6.75	99
22+35	3.07	3.73	-	-	-	6.80 (1.80-9.00)	1.580 (0.410-2.320)	6.94	99
22+42	2.58	4.22	-	-	-	6.80 (1.80-9.00)	1.580 (0.410-2.320)	6.94	99
22+50	2.22	4.58	-	-	-	6.80 (1.80-9.00)	1.550 (0.410-2.300)	6.81	99
25+25	3.40	3.40	-	-	-	6.80 (1.80-9.00)	1.580 (0.410-2.320)	6.94	99
25+35	3.22	3.58	-	-	-	6.80 (1.80-9.00)	1.580 (0.410-2.320)	6.94	99
25+42	2.72	4.08	-	-	-	6.80 (1.80-9.00)	1.580 (0.410-2.320)	6.94	99
25+50	2.35	4.45	-	-	-	6.80 (1.80-9.00)	1.520 (0.410-2.290)	6.68	99
35+35	3.40	3.40	-	-	-	6.80 (1.80-9.00)	1.580 (0.410-2.320)	6.94	99
35+42	2.89	3.91	-	-	-	6.80 (1.80-9.00)	1.510 (0.410-2.290)	6.63	99
35+50	2.52	4.28	-	-	-	6.80 (1.80-9.00)	1.427 (0.410-2.240)	6.27	99

# MXZ-3D54VA HEATING

Indoor units combination	Heating capacity (kW)						Outdoor unit power consumption(kW)	Current (A)	Power factor(%)
	Unit A	Unit B	Unit C	Unit D	Unit E	Total			
42+42	3.40	3.40	-	-	-	6.80 (1.80-9.00)	1.440 (0.410-2.260)	6.32	99
42+50	3.01	3.79	-	-	-	6.80 (1.90-9.00)	1.405 (0.390-2.170)	6.17	99
50+50	3.40	3.40	-	-	-	6.80 (1.90-9.00)	1.370 (0.360-2.080)	6.02	99
15+15+15	1.70	1.70	1.70	-	-	5.10 (2.60-7.90)	1.149 (0.710-2.410)	5.05	99
15+15+18	1.47	1.47	2.86	-	-	5.80 (2.60-8.40)	1.269 (0.640-2.300)	5.57	99
15+15+20	1.70	1.70	2.20	-	-	5.60 (2.60-8.10)	1.319 (0.600-2.380)	5.79	99
15+15+22	1.47	1.47	2.86	-	-	5.80 (2.60-8.40)	1.269 (0.560-2.300)	5.57	99
15+15+25	1.41	1.41	2.98	-	-	5.80 (2.60-8.40)	1.269 (0.550-2.300)	5.57	99
15+15+35	1.33	1.33	3.14	-	-	5.80 (2.60-8.40)	1.269 (0.550-2.300)	5.57	99
15+15+42	1.12	1.12	3.56	-	-	5.80 (2.60-8.40)	1.269 (0.520-2.300)	5.57	99
15+15+50	0.97	0.97	3.87	-	-	5.80 (2.60-8.40)	1.269 (0.520-2.300)	5.57	99
15+18+18	1.31	2.54	2.54	-	-	6.40 (2.60-8.70)	1.389 (0.570-2.190)	6.10	99
15+18+20	1.49	2.89	1.93	-	-	6.30 (2.60-8.40)	1.439 (0.530-2.270)	6.32	99
15+18+22	1.31	2.54	2.54	-	-	6.40 (2.60-8.70)	1.389 (0.540-2.190)	6.10	99
15+18+25	1.27	2.46	2.68	-	-	6.40 (2.60-8.70)	1.389 (0.630-2.190)	6.10	99
15+18+35	1.21	2.35	2.84	-	-	6.40 (2.60-8.70)	1.389 (0.510-2.190)	6.10	99
15+18+42	1.05	2.03	3.32	-	-	6.40 (2.60-8.70)	1.389 (0.510-2.190)	6.10	99
15+18+50	0.92	1.79	3.69	-	-	6.40 (2.60-8.70)	1.389 (0.510-2.190)	6.10	99
15+20+20	1.70	2.20	2.20	-	-	6.10 (2.60-8.10)	1.489 (0.540-2.350)	6.54	99
15+20+22	1.49	1.93	2.89	-	-	6.30 (2.60-8.40)	1.439 (0.600-2.270)	6.32	99
15+20+25	1.43	1.85	3.02	-	-	6.30 (2.60-8.40)	1.439 (0.690-2.270)	6.32	99
15+20+35	1.36	1.75	3.19	-	-	6.30 (2.60-8.40)	1.439 (0.510-2.270)	6.32	99
15+20+42	1.15	1.49	3.66	-	-	6.30 (2.60-8.40)	1.439 (0.510-2.270)	6.32	99
15+20+50	1.00	1.30	4.00	-	-	6.30 (2.60-8.40)	1.439 (0.510-2.270)	6.32	99
15+22+22	1.31	2.54	2.54	-	-	6.40 (2.60-8.70)	1.389 (0.660-2.190)	6.10	99
15+22+25	1.27	2.46	2.68	-	-	6.40 (2.60-8.70)	1.389 (0.630-2.190)	6.10	99
15+22+35	1.21	2.35	2.84	-	-	6.40 (2.60-8.70)	1.389 (0.510-2.190)	6.10	99
15+22+42	1.05	2.03	3.32	-	-	6.40 (2.60-8.70)	1.389 (0.510-2.190)	6.10	99
15+22+50	0.92	1.79	3.69	-	-	6.40 (2.60-8.70)	1.389 (0.510-2.190)	6.10	99
15+25+25	1.22	2.59	2.59	-	-	6.40 (2.60-8.70)	1.389 (0.540-2.190)	6.10	99
15+25+35	1.17	2.48	2.75	-	-	6.40 (2.60-8.70)	1.389 (0.510-2.190)	6.10	99
15+25+42	1.02	2.15	3.23	-	-	6.40 (2.60-8.70)	1.389 (0.510-2.190)	6.10	99
15+25+50	0.90	1.90	3.60	-	-	6.40 (2.60-8.70)	1.389 (0.510-2.190)	6.10	99
15+35+35	1.12	2.64	2.64	-	-	6.40 (2.60-8.70)	1.389 (0.510-2.190)	6.10	99
15+35+42	0.98	2.31	3.11	-	-	6.40 (2.60-8.70)	1.389 (0.510-2.190)	6.10	99
15+35+50	0.87	2.05	3.48	-	-	6.40 (2.60-8.70)	1.389 (0.510-2.190)	6.10	99
15+42+42	0.87	2.76	2.76	-	-	6.40 (2.60-8.70)	1.389 (0.510-2.190)	6.10	99
18+18+18	2.33	2.33	2.33	-	-	7.00 (2.60-9.00)	1.509 (0.500-2.080)	6.63	99
18+18+20	2.59	2.59	1.73	-	-	6.90 (2.60-8.70)	1.559 (0.560-2.160)	6.85	99
18+18+22	2.33	2.33	2.33	-	-	7.00 (2.60-9.00)	1.509 (0.620-2.080)	6.63	99
18+18+25	2.26	2.26	2.47	-	-	7.00 (2.60-9.00)	1.509 (0.650-2.080)	6.63	99

# MXZ-3D54VA HEATING

Indoor units combination	Heating capacity (kW)						Outdoor unit power consumption(kW)	Current (A)	Power factor(%)
	Unit A	Unit B	Unit C	Unit D	Unit E	Total			
18+18+35	2.18	2.18	2.64	-	-	7.00 (2.60-9.00)	1.509 (0.500-2.080)	6.63	99
18+18+42	1.93	1.93	3.15	-	-	7.00 (2.60-9.00)	1.509 (0.500-2.080)	6.63	99
18+18+50	1.72	1.72	3.55	-	-	7.00 (2.60-9.00)	1.509 (0.500-2.080)	6.63	99
18+20+20	2.91	1.94	1.94	-	-	6.80 (2.60-8.40)	1.609 (0.620-2.240)	7.07	99
18+20+22	2.59	1.73	2.59	-	-	6.90 (2.60-8.70)	1.559 (0.680-2.160)	6.85	99
18+20+25	2.50	1.67	2.73	-	-	6.90 (2.60-8.70)	1.559 (0.590-2.160)	6.85	99
18+20+35	2.40	1.60	2.91	-	-	6.90 (2.60-8.70)	1.559 (0.500-2.160)	6.85	99
18+20+42	2.09	1.39	3.42	-	-	6.90 (2.60-8.70)	1.559 (0.500-2.160)	6.85	99
18+20+50	1.85	1.23	3.81	-	-	6.90 (2.60-8.70)	1.559 (0.500-2.160)	6.85	99
18+22+22	2.33	2.33	2.33	-	-	7.00 (2.60-9.00)	1.509 (0.620-2.080)	6.63	99
18+22+25	2.26	2.26	2.47	-	-	7.00 (2.60-9.00)	1.509 (0.530-2.080)	6.63	99
18+22+35	2.18	2.18	2.64	-	-	7.00 (2.60-9.00)	1.509 (0.500-2.080)	6.63	99
18+22+42	1.93	1.93	3.15	-	-	7.00 (2.60-9.00)	1.509 (0.500-2.080)	6.63	99
18+22+50	1.72	1.72	3.55	-	-	7.00 (2.60-9.00)	1.509 (0.500-2.080)	6.63	99
18+25+25	2.20	2.40	2.40	-	-	7.00 (2.60-9.00)	1.509 (0.500-2.080)	6.63	99
18+25+35	2.12	2.31	2.57	-	-	7.00 (2.60-9.00)	1.509 (0.500-2.080)	6.63	99
18+25+42	1.88	2.05	3.07	-	-	7.00 (2.60-9.00)	1.509 (0.500-2.080)	6.63	99
18+25+50	1.69	1.84	3.47	-	-	7.00 (2.60-9.00)	1.509 (0.500-2.080)	6.63	99
18+35+35	2.04	2.48	2.48	-	-	7.00 (2.60-9.00)	1.509 (0.500-2.080)	6.63	99
18+35+42	1.82	2.20	2.98	-	-	7.00 (2.60-9.00)	1.509 (0.500-2.080)	6.63	99
20+20+20	2.20	2.20	2.20	-	-	6.60 (2.60-8.00)	1.659 (0.680-2.320)	7.29	99
20+20+22	1.94	1.94	2.91	-	-	6.80 (2.60-8.40)	1.609 (0.620-2.240)	7.07	99
20+20+25	1.87	1.87	3.06	-	-	6.80 (2.60-8.40)	1.609 (0.530-2.240)	7.07	99
20+20+35	1.78	1.78	3.24	-	-	6.80 (2.60-8.40)	1.609 (0.500-2.240)	7.07	99
20+20+42	1.53	1.53	3.75	-	-	6.80 (2.60-8.40)	1.609 (0.500-2.240)	7.07	99
20+20+50	1.34	1.34	4.13	-	-	6.80 (2.60-8.40)	1.609 (0.500-2.240)	7.07	99
20+22+22	1.73	2.59	2.59	-	-	6.90 (2.60-8.70)	1.559 (0.560-2.160)	6.85	99
20+22+25	1.67	2.50	2.73	-	-	6.90 (2.60-8.70)	1.559 (0.500-2.160)	6.85	99
20+22+35	1.60	2.40	2.91	-	-	6.90 (2.60-8.70)	1.559 (0.500-2.160)	6.85	99
20+22+42	1.39	2.09	3.42	-	-	6.90 (2.60-8.70)	1.559 (0.500-2.160)	6.85	99
20+22+50	1.23	1.85	3.81	-	-	6.90 (2.60-8.70)	1.559 (0.500-2.160)	6.85	99
20+25+25	1.61	2.64	2.64	-	-	6.90 (2.60-8.70)	1.559 (0.500-2.160)	6.85	99
20+25+35	1.55	2.53	2.82	-	-	6.90 (2.60-8.70)	1.559 (0.500-2.160)	6.85	99
20+25+42	1.36	2.22	3.33	-	-	6.90 (2.60-8.70)	1.559 (0.500-2.160)	6.85	99
20+25+50	1.20	1.97	3.72	-	-	6.90 (2.60-8.70)	1.559 (0.500-2.160)	6.85	99
20+35+35	1.49	2.71	2.71	-	-	6.90 (2.60-8.70)	1.559 (0.500-2.160)	6.85	99
20+35+42	1.31	2.38	3.21	-	-	6.90 (2.60-8.70)	1.559 (0.500-2.160)	6.85	99
22+22+22	2.33	2.33	2.33	-	-	7.00 (2.60-9.00)	1.509 (0.500-2.080)	6.63	99
22+22+25	2.26	2.26	2.47	-	-	7.00 (2.60-9.00)	1.509 (0.500-2.080)	6.63	99
22+22+35	2.18	2.18	2.64	-	-	7.00 (2.60-9.00)	1.509 (0.500-2.080)	6.63	99
22+22+42	1.93	1.93	3.15	-	-	7.00 (2.60-9.00)	1.509 (0.500-2.080)	6.63	99

## MXZ-3D54VA HEATING

Indoor units combination	Heating capacity (kW)						Outdoor unit power consumption(kW)	Current (A)	Power factor(%)
	Unit A	Unit B	Unit C	Unit D	Unit E	Total			
22+22+50	1.72	1.72	3.55	-	-	7.00 (2.60-9.00)	1.509 (0.500-2.080)	6.63	99
22+25+25	2.20	2.40	2.40	-	-	7.00 (2.60-9.00)	1.509 (0.500-2.080)	6.63	99
22+25+35	2.12	2.31	2.57	-	-	7.00 (2.60-9.00)	1.509 (0.500-2.080)	6.63	99
22+25+42	1.88	2.05	3.07	-	-	7.00 (2.60-9.00)	1.509 (0.500-2.080)	6.63	99
22+25+50	1.69	1.84	3.47	-	-	7.00 (2.60-9.00)	1.509 (0.500-2.080)	6.63	99
22+35+35	2.04	2.48	2.48	-	-	7.00 (2.60-9.00)	1.509 (0.500-2.080)	6.63	99
22+35+42	1.82	2.20	2.98	-	-	7.00 (2.60-9.00)	1.509 (0.500-2.080)	6.63	99
25+25+25	2.33	2.33	2.33	-	-	7.00 (2.60-9.00)	1.509 (0.500-2.080)	6.63	99
25+25+35	2.25	2.25	2.50	-	-	7.00 (2.60-9.00)	1.509 (0.500-2.080)	6.63	99
25+25+42	2.00	2.00	3.00	-	-	7.00 (2.60-9.00)	1.509 (0.500-2.080)	6.63	99
25+25+50	1.80	1.80	3.40	-	-	7.00 (2.60-9.00)	1.509 (0.500-2.080)	6.63	99
25+35+35	2.17	2.41	2.41	-	-	7.00 (2.60-9.00)	1.509 (0.500-2.080)	6.63	99

# MXZ-3D54VA2 COOLING

Indoor units combination	Cooling capacity (kW)						Outdoor unit power consumption(kW)	Current (A)	Power factor(%)
	Unit A	Unit B	Unit C	Unit D	Unit E	Total			
15	1.50	-	-	-	-	1.50 (1.40~3.00)	0.490 (0.450~1.020)	2.15	99
18	1.80	-	-	-	-	1.80 (1.40~3.00)	0.420 (0.420~0.740)	1.84	99
20	2.00	-	-	-	-	2.00 (1.40~3.00)	0.540 (0.450~1.020)	2.37	99
22	2.20	-	-	-	-	2.20 (1.40~3.00)	0.510 (0.420~0.740)	2.24	99
25	2.50	-	-	-	-	2.50 (1.40~3.30)	0.580 (0.420~0.830)	2.55	99
35	3.50	-	-	-	-	3.50 (1.50~4.30)	0.820 (0.430~1.180)	3.60	99
42	4.20	-	-	-	-	4.20 (1.60~5.00)	1.080 (0.450~1.420)	4.74	99
50	5.00	-	-	-	-	5.00 (1.60~5.60)	1.430 (0.480~1.660)	6.28	99
15+15	1.50	1.50	-	-	-	3.00 (2.00~5.40)	0.790 (0.540~1.800)	3.47	99
15+18	1.50	1.80	-	-	-	3.30 (2.00~5.40)	0.841 (0.620~1.890)	3.69	99
15+20	1.50	2.00	-	-	-	3.50 (2.00~5.40)	0.885 (0.700~2.005)	3.89	99
15+22	1.50	2.20	-	-	-	3.70 (2.00~5.40)	0.929 (0.660~1.850)	4.08	99
15+25	1.50	2.50	-	-	-	4.00 (2.00~5.40)	1.130 (0.780~1.970)	4.96	99
15+35	1.50	3.50	-	-	-	5.00 (2.00~6.00)	1.470 (0.620~2.150)	6.46	99
15+42	1.42	3.98	-	-	-	5.40 (2.00~6.80)	1.613 (0.620~2.790)	7.08	99
15+50	1.25	4.15	-	-	-	5.40 (2.00~6.80)	1.613 (0.630~2.780)	7.08	99
18+18	1.80	1.80	-	-	-	3.60 (2.00~5.40)	0.832 (0.540~1.640)	3.65	99
18+20	1.80	2.00	-	-	-	3.80 (2.00~5.40)	0.996 (0.700~1.890)	4.37	99
18+22	1.80	2.20	-	-	-	4.00 (2.00~5.40)	1.100 (0.700~1.800)	4.83	99
18+25	1.80	2.50	-	-	-	4.30 (2.00~5.40)	1.177 (0.580~1.680)	5.17	99
18+35	1.80	3.50	-	-	-	5.30 (2.00~6.60)	1.547 (0.540~2.460)	6.79	99
18+42	1.62	3.78	-	-	-	5.40 (2.00~6.80)	1.583 (0.540~2.620)	6.95	99
18+50	1.43	3.97	-	-	-	5.40 (2.00~6.80)	1.583 (0.550~2.610)	6.95	99
20+20	2.00	2.00	-	-	-	4.00 (2.00~5.40)	1.100 (0.700~1.800)	4.83	99
20+22	2.00	2.20	-	-	-	4.20 (2.00~5.40)	1.181 (0.700~1.890)	5.19	99
20+25	2.00	2.50	-	-	-	4.50 (2.00~5.50)	1.272 (0.620~1.865)	5.59	99
20+35	1.96	3.44	-	-	-	5.40 (2.00~6.80)	1.613 (0.620~2.790)	7.08	99
20+42	1.74	3.66	-	-	-	5.40 (2.00~6.80)	1.613 (0.620~2.790)	7.08	99
20+50	1.54	3.86	-	-	-	5.40 (2.00~6.80)	1.613 (0.630~2.780)	7.08	99
22+22	2.20	2.20	-	-	-	4.40 (2.00~5.40)	1.202 (0.540~1.640)	5.28	99
22+25	2.20	2.50	-	-	-	4.70 (2.00~5.70)	1.321 (0.540~1.810)	5.80	99
22+35	2.08	3.32	-	-	-	5.40 (2.00~6.80)	1.583 (0.540~2.620)	6.95	99
22+42	1.86	3.54	-	-	-	5.40 (2.00~6.80)	1.583 (0.540~2.620)	6.95	99
22+50	1.65	3.75	-	-	-	5.40 (2.00~6.80)	1.583 (0.550~2.610)	6.95	99
25+25	2.50	2.50	-	-	-	5.00 (2.00~6.00)	1.440 (0.540~1.980)	6.32	99
25+35	2.25	3.15	-	-	-	5.40 (2.00~6.80)	1.583 (0.540~2.620)	6.95	99
25+42	2.01	3.39	-	-	-	5.40 (2.00~6.80)	1.583 (0.540~2.620)	6.95	99
25+50	1.80	3.60	-	-	-	5.40 (2.00~6.80)	1.583 (0.550~2.610)	6.95	99
35+35	2.70	2.70	-	-	-	5.40 (2.00~6.80)	1.583 (0.540~2.620)	6.95	99
35+42	2.45	2.95	-	-	-	5.40 (2.00~6.80)	1.583 (0.550~2.620)	6.95	99
35+50	2.22	3.18	-	-	-	5.40 (2.00~6.80)	1.580 (0.560~2.595)	6.94	99

**MXZ-3D54VA2 COOLING**

Indoor units combination	Cooling capacity (kW)						Outdoor unit power consumption(kW)	Current (A)	Power factor(%)
	Unit A	Unit B	Unit C	Unit D	Unit E	Total			
42+42	2.70	2.70	-	-	-	5.40 (2.00~6.80)	1.583 (0.550~2.620)	6.95	99
42+50	2.47	2.93	-	-	-	5.40 (2.10~6.80)	1.557 (0.570~2.470)	6.84	99
50+50	2.70	2.70	-	-	-	5.40 (2.10~6.80)	1.530 (0.560~2.340)	6.72	99
15+15+15	1.50	1.50	1.50	-	-	4.50 (2.90~6.80)	0.960 (0.670~1.770)	4.22	99
15+15+18	1.50	1.50	1.80	-	-	4.80 (2.90~6.80)	1.176 (0.730~2.130)	5.16	99
15+15+20	1.50	1.50	2.00	-	-	5.00 (2.90~6.80)	1.303 (0.760~2.310)	5.72	99
15+15+22	1.50	1.50	2.20	-	-	5.20 (2.90~6.80)	1.331 (0.730~2.130)	5.85	99
15+15+25	1.47	1.47	2.45	-	-	5.40 (2.90~6.80)	1.408 (0.730~2.130)	6.18	99
15+15+35	1.25	1.25	2.91	-	-	5.40 (2.90~6.80)	1.408 (0.730~2.130)	6.18	99
15+15+42	1.13	1.13	3.15	-	-	5.40 (2.90~6.80)	1.388 (0.730~2.120)	6.10	99
15+15+50	1.01	1.01	3.38	-	-	5.40 (2.90~6.80)	1.378 (0.730~2.110)	6.05	99
15+18+18	1.50	1.80	1.80	-	-	5.10 (2.90~6.80)	1.242 (0.700~1.950)	5.45	99
15+18+20	1.50	1.80	2.00	-	-	5.30 (2.90~6.80)	1.369 (0.730~2.130)	6.01	99
15+18+22	1.47	1.77	2.16	-	-	5.40 (2.90~6.80)	1.358 (0.700~1.950)	5.96	99
15+18+25	1.40	1.68	2.33	-	-	5.40 (2.90~6.80)	1.358 (0.700~1.950)	5.96	99
15+18+35	1.19	1.43	2.78	-	-	5.40 (2.90~6.80)	1.358 (0.700~1.950)	5.96	99
15+18+42	1.08	1.30	3.02	-	-	5.40 (2.90~6.80)	1.338 (0.700~1.940)	5.88	99
15+18+50	0.98	1.17	3.25	-	-	5.40 (2.90~6.80)	1.328 (0.700~1.930)	5.83	99
15+20+20	1.47	1.96	1.96	-	-	5.40 (2.90~6.80)	1.458 (0.760~2.310)	6.40	99
15+20+22	1.42	1.89	2.08	-	-	5.40 (2.90~6.80)	1.408 (0.730~2.130)	6.18	99
15+20+25	1.35	1.80	2.25	-	-	5.40 (2.90~6.80)	1.408 (0.730~2.130)	6.18	99
15+20+35	1.16	1.54	2.70	-	-	5.40 (2.90~6.80)	1.408 (0.730~2.130)	6.18	99
15+20+42	1.05	1.40	2.95	-	-	5.40 (2.90~6.80)	1.388 (0.730~2.120)	6.10	99
15+20+50	0.95	1.27	3.18	-	-	5.40 (2.90~6.80)	1.378 (0.730~2.110)	6.05	99
15+22+22	1.37	2.01	2.01	-	-	5.40 (2.90~6.80)	1.358 (0.700~1.950)	5.96	99
15+22+25	1.31	1.92	2.18	-	-	5.40 (2.90~6.80)	1.358 (0.700~1.950)	5.96	99
15+22+35	1.13	1.65	2.63	-	-	5.40 (2.90~6.80)	1.358 (0.700~1.950)	5.96	99
15+22+42	1.03	1.50	2.87	-	-	5.40 (2.90~6.80)	1.338 (0.700~1.940)	5.88	99
15+22+50	0.93	1.37	3.10	-	-	5.40 (2.90~6.80)	1.328 (0.700~1.930)	5.83	99
15+25+25	1.25	2.08	2.08	-	-	5.40 (2.90~6.80)	1.358 (0.700~1.950)	5.96	99
15+25+35	1.08	1.80	2.52	-	-	5.40 (2.90~6.80)	1.358 (0.700~1.950)	5.96	99
15+25+42	0.99	1.65	2.77	-	-	5.40 (2.90~6.80)	1.338 (0.700~1.940)	5.88	99
15+25+50	0.90	1.50	3.00	-	-	5.40 (2.90~6.80)	1.328 (0.700~1.930)	5.83	99
15+35+35	0.95	2.22	2.22	-	-	5.40 (2.90~6.80)	1.358 (0.700~1.950)	5.96	99
15+35+42	0.88	2.05	2.47	-	-	5.40 (2.90~6.80)	1.338 (0.700~1.940)	5.88	99
15+35+50	0.81	1.89	2.70	-	-	5.40 (2.90~6.80)	1.328 (0.700~1.930)	5.83	99
15+42+42	0.82	2.29	2.29	-	-	5.40 (2.90~6.80)	1.318 (0.700~1.930)	5.79	99
18+18+18	1.80	1.80	1.80	-	-	5.40 (2.90~6.80)	1.308 (0.670~1.770)	5.74	99
18+18+20	1.74	1.74	1.93	-	-	5.40 (2.90~6.80)	1.358 (0.700~1.950)	5.96	99
18+18+22	1.68	1.68	2.05	-	-	5.40 (2.90~6.80)	1.308 (0.670~1.770)	5.74	99
18+18+25	1.59	1.59	2.21	-	-	5.40 (2.90~6.80)	1.308 (0.670~1.770)	5.74	99

**MXZ-3D54VA2 COOLING**

Indoor units combination	Cooling capacity (kW)						Outdoor unit power consumption(kW)	Current (A)	Power factor(%)
	Unit A	Unit B	Unit C	Unit D	Unit E	Total			
18+18+35	1.37	1.37	2.66	-	-	5.40 (2.90~6.80)	1.308 (0.670~1.770)	5.74	99
18+18+42	1.25	1.25	2.91	-	-	5.40 (2.90~6.80)	1.288 (0.670~1.760)	5.66	99
18+18+50	1.13	1.13	3.14	-	-	5.40 (2.90~6.80)	1.278 (0.670~1.750)	5.61	99
18+20+20	1.68	1.86	1.86	-	-	5.40 (2.90~6.80)	1.408 (0.730~2.130)	6.18	99
18+20+22	1.62	1.80	1.98	-	-	5.40 (2.90~6.80)	1.358 (0.700~1.950)	5.96	99
18+20+25	1.54	1.71	2.14	-	-	5.40 (2.90~6.80)	1.358 (0.700~1.950)	5.96	99
18+20+35	1.33	1.48	2.59	-	-	5.40 (2.90~6.80)	1.358 (0.700~1.950)	5.96	99
18+20+42	1.22	1.35	2.84	-	-	5.40 (2.90~6.80)	1.338 (0.700~1.940)	5.88	99
18+20+50	1.10	1.23	3.07	-	-	5.40 (2.90~6.80)	1.328 (0.700~1.930)	5.83	99
18+22+22	1.57	1.92	1.92	-	-	5.40 (2.90~6.80)	1.308 (0.670~1.770)	5.74	99
18+22+25	1.50	1.83	2.08	-	-	5.40 (2.90~6.80)	1.308 (0.670~1.770)	5.74	99
18+22+35	1.30	1.58	2.52	-	-	5.40 (2.90~6.80)	1.308 (0.670~1.770)	5.74	99
18+22+42	1.19	1.45	2.77	-	-	5.40 (2.90~6.80)	1.288 (0.670~1.760)	5.66	99
18+22+50	1.08	1.32	3.00	-	-	5.40 (2.90~6.80)	1.278 (0.670~1.750)	5.61	99
18+25+25	1.43	1.99	1.99	-	-	5.40 (2.90~6.80)	1.308 (0.670~1.770)	5.74	99
18+25+35	1.25	1.73	2.42	-	-	5.40 (2.90~6.80)	1.308 (0.670~1.770)	5.74	99
18+25+42	1.14	1.59	2.67	-	-	5.40 (2.90~6.80)	1.288 (0.670~1.760)	5.66	99
18+25+50	1.05	1.45	2.90	-	-	5.40 (2.90~6.80)	1.278 (0.670~1.750)	5.61	99
18+35+35	1.10	2.15	2.15	-	-	5.40 (2.90~6.80)	1.308 (0.670~1.770)	5.74	99
18+35+42	1.02	1.99	2.39	-	-	5.40 (2.90~6.80)	1.288 (0.670~1.760)	5.66	99
20+20+20	1.80	1.80	1.80	-	-	5.40 (2.90~6.80)	1.458 (0.760~2.310)	6.40	99
20+20+22	1.74	1.74	1.92	-	-	5.40 (2.90~6.80)	1.408 (0.730~2.130)	6.18	99
20+20+25	1.66	1.66	2.08	-	-	5.40 (2.90~6.80)	1.408 (0.730~2.130)	6.18	99
20+20+35	1.44	1.44	2.52	-	-	5.40 (2.90~6.80)	1.408 (0.730~2.130)	6.18	99
20+20+42	1.32	1.32	2.77	-	-	5.40 (2.90~6.80)	1.388 (0.730~2.120)	6.10	99
20+20+50	1.20	1.20	3.00	-	-	5.40 (2.90~6.80)	1.378 (0.730~2.110)	6.05	99
20+22+22	1.69	1.86	1.86	-	-	5.40 (2.90~6.80)	1.358 (0.700~1.950)	5.96	99
20+22+25	1.61	1.77	2.01	-	-	5.40 (2.90~6.80)	1.358 (0.700~1.950)	5.96	99
20+22+35	1.40	1.54	2.45	-	-	5.40 (2.90~6.80)	1.358 (0.700~1.950)	5.96	99
20+22+42	1.29	1.41	2.70	-	-	5.40 (2.90~6.80)	1.338 (0.700~1.940)	5.88	99
20+22+50	1.17	1.29	2.93	-	-	5.40 (2.90~6.80)	1.328 (0.700~1.930)	5.83	99
20+25+25	1.54	1.93	1.93	-	-	5.40 (2.90~6.80)	1.358 (0.700~1.950)	5.96	99
20+25+35	1.35	1.69	2.36	-	-	5.40 (2.90~6.80)	1.358 (0.700~1.950)	5.96	99
20+25+42	1.24	1.55	2.61	-	-	5.40 (2.90~6.80)	1.338 (0.700~1.940)	5.88	99
20+25+50	1.14	1.42	2.84	-	-	5.40 (2.90~6.80)	1.328 (0.700~1.930)	5.83	99
20+35+35	1.20	2.10	2.10	-	-	5.40 (2.90~6.80)	1.358 (0.700~1.950)	5.96	99
20+35+42	1.11	1.95	2.34	-	-	5.40 (2.90~6.80)	1.338 (0.700~1.940)	5.88	99
22+22+22	1.80	1.80	1.80	-	-	5.40 (2.90~6.80)	1.308 (0.670~1.770)	5.74	99
22+22+25	1.72	1.72	1.96	-	-	5.40 (2.90~6.80)	1.308 (0.670~1.770)	5.74	99
22+22+35	1.50	1.50	2.39	-	-	5.40 (2.90~6.80)	1.308 (0.670~1.770)	5.74	99
22+22+42	1.38	1.38	2.64	-	-	5.40 (2.90~6.80)	1.288 (0.670~1.760)	5.66	99

## MXZ-3D54VA2 COOLING

Indoor units combination	Cooling capacity (kW)						Outdoor unit power consumption(kW)	Current (A)	Power factor(%)
	Unit A	Unit B	Unit C	Unit D	Unit E	Total			
22+22+50	1.26	1.26	2.87	-	-	5.40 (2.90~6.80)	1.278 (0.670~1.750)	5.61	99
22+25+25	1.65	1.88	1.88	-	-	5.40 (2.90~6.80)	1.308 (0.670~1.770)	5.74	99
22+25+35	1.45	1.65	2.30	-	-	5.40 (2.90~6.80)	1.308 (0.670~1.770)	5.74	99
22+25+42	1.33	1.52	2.55	-	-	5.40 (2.90~6.80)	1.288 (0.670~1.760)	5.66	99
22+25+50	1.22	1.39	2.78	-	-	5.40 (2.90~6.80)	1.278 (0.670~1.750)	5.61	99
22+35+35	1.29	2.05	2.05	-	-	5.40 (2.90~6.80)	1.308 (0.670~1.770)	5.74	99
22+35+42	1.20	1.91	2.29	-	-	5.40 (2.90~6.80)	1.288 (0.670~1.760)	5.66	99
25+25+25	1.80	1.80	1.80	-	-	5.40 (2.90~6.80)	1.308 (0.670~1.770)	5.74	99
25+25+35	1.59	1.59	2.22	-	-	5.40 (2.90~6.80)	1.308 (0.670~1.770)	5.74	99
25+25+42	1.47	1.47	2.47	-	-	5.40 (2.90~6.80)	1.288 (0.670~1.760)	5.66	99
25+25+50	1.35	1.35	2.70	-	-	5.40 (2.90~6.80)	1.278 (0.670~1.750)	5.61	99
25+35+35	1.42	1.99	1.99	-	-	5.40 (2.90~6.80)	1.308 (0.670~1.770)	5.74	99



# MXZ-3D54VA2 HEATING

Indoor units combination	Cooling capacity (kW)						Outdoor unit power consumption(kW)	Current (A)	Power factor(%)
	Unit A	Unit B	Unit C	Unit D	Unit E	Total			
15	1.70	-	-	-	-	1.70 (1.20~3.00)	0.460 (0.400~1.020)	2.02	99
18	3.30	-	-	-	-	3.30 (1.20~4.20)	0.780 (0.380~1.090)	3.43	99
20	2.20	-	-	-	-	2.20 (1.20~3.90)	0.610 (0.390~1.440)	2.68	99
22	3.30	-	-	-	-	3.30 (1.20~4.20)	0.780 (0.380~1.090)	3.43	99
25	3.60	-	-	-	-	3.60 (1.20~4.50)	0.880 (0.380~1.190)	3.86	99
35	4.00	-	-	-	-	4.00 (1.20~4.80)	1.020 (0.380~1.300)	4.48	99
42	5.40	-	-	-	-	5.40 (1.30~6.50)	1.400 (0.370~1.800)	6.15	99
50	6.80	-	-	-	-	6.80 (1.40~8.20)	1.770 (0.370~2.300)	7.77	99
15+15	1.70	1.70	-	-	-	3.40 (1.80~5.00)	0.796 (0.670~1.300)	3.50	99
15+18	1.70	3.30	-	-	-	5.00 (1.80~6.10)	1.146 (0.540~1.530)	5.03	99
15+20	1.70	2.20	-	-	-	3.90 (1.80~5.80)	0.966 (0.650~1.625)	4.24	99
15+22	1.70	3.30	-	-	-	5.00 (1.80~6.10)	1.146 (0.540~1.530)	5.03	99
15+25	1.60	3.40	-	-	-	5.00 (1.80~6.10)	1.146 (0.540~1.530)	5.03	99
15+35	1.55	3.65	-	-	-	5.20 (1.80~7.90)	1.230 (0.540~2.090)	5.40	99
15+42	1.25	3.95	-	-	-	5.20 (1.80~7.90)	1.230 (0.540~2.090)	5.40	99
15+50	1.04	4.16	-	-	-	5.20 (1.80~7.90)	1.220 (0.540~2.080)	5.36	99
18+18	3.30	3.30	-	-	-	6.60 (1.80~7.20)	1.496 (0.410~1.760)	6.57	99
18+20	3.30	2.20	-	-	-	5.50 (1.80~6.90)	1.316 (0.520~1.855)	5.78	99
18+22	3.30	3.30	-	-	-	6.60 (1.80~7.20)	1.496 (0.410~1.760)	6.57	99
18+25	3.16	3.44	-	-	-	6.60 (1.80~7.20)	1.496 (0.410~1.760)	6.57	99
18+35	3.07	3.73	-	-	-	6.80 (1.80~9.00)	1.580 (0.410~2.320)	6.94	99
18+42	2.58	4.22	-	-	-	6.80 (1.80~9.00)	1.580 (0.410~2.320)	6.94	99
18+50	2.22	4.58	-	-	-	6.80 (1.80~9.00)	1.570 (0.410~2.310)	6.90	99
20+20	2.20	2.20	-	-	-	4.40 (1.80~6.60)	1.136 (0.630~1.950)	4.99	99
20+22	2.20	3.30	-	-	-	5.50 (1.80~6.90)	1.316 (0.520~1.855)	5.78	99
20+25	2.09	3.41	-	-	-	5.50 (1.80~7.20)	1.330 (0.520~1.950)	5.84	99
20+35	2.02	3.68	-	-	-	5.70 (1.80~8.70)	1.400 (0.520~2.415)	6.15	99
20+42	1.65	4.05	-	-	-	5.70 (1.80~8.70)	1.400 (0.520~2.415)	6.15	99
20+50	1.39	4.31	-	-	-	5.70 (1.80~8.70)	1.390 (0.520~2.405)	6.10	99
22+22	3.30	3.30	-	-	-	6.60 (1.80~7.20)	1.496 (0.410~1.760)	6.57	99
22+25	3.20	3.50	-	-	-	6.70 (1.80~8.10)	1.538 (0.410~2.040)	6.75	99
22+35	3.07	3.73	-	-	-	6.80 (1.80~9.00)	1.580 (0.410~2.320)	6.94	99
22+42	2.58	4.22	-	-	-	6.80 (1.80~9.00)	1.580 (0.410~2.320)	6.94	99
22+50	2.22	4.58	-	-	-	6.80 (1.80~9.00)	1.550 (0.410~2.300)	6.81	99
25+25	3.40	3.40	-	-	-	6.80 (1.80~9.00)	1.580 (0.410~2.320)	6.94	99
25+35	3.22	3.58	-	-	-	6.80 (1.80~9.00)	1.580 (0.410~2.320)	6.94	99
25+42	2.72	4.08	-	-	-	6.80 (1.80~9.00)	1.580 (0.410~2.320)	6.94	99
25+50	2.35	4.45	-	-	-	6.80 (1.80~9.00)	1.520 (0.410~2.290)	6.68	99
35+35	3.40	3.40	-	-	-	6.80 (1.80~9.00)	1.580 (0.410~2.320)	6.94	99
35+42	2.89	3.91	-	-	-	6.80 (1.80~9.00)	1.510 (0.410~2.290)	6.63	99
35+50	2.52	4.28	-	-	-	6.80 (1.80~9.00)	1.427 (0.410~2.240)	6.27	99

**MXZ-3D54VA2 HEATING**

Indoor units combination	Cooling capacity (kW)						Outdoor unit power consumption(kW)	Current (A)	Power factor(%)
	Unit A	Unit B	Unit C	Unit D	Unit E	Total			
42+42	3.40	3.40	-	-	-	6.80 (1.80~9.00)	1.440 (0.410~2.260)	6.32	99
42+50	3.01	3.79	-	-	-	6.80 (1.90~9.00)	1.405 (0.390~2.170)	6.17	99
50+50	3.40	3.40	-	-	-	6.80 (1.90~9.00)	1.370 (0.360~2.080)	6.02	99
15+15+15	1.70	1.70	1.70	-	-	5.10 (2.60~7.90)	1.149 (0.710~2.410)	5.05	99
15+15+18	1.47	1.47	2.86	-	-	5.80 (2.60~8.40)	1.269 (0.640~2.300)	5.57	99
15+15+20	1.70	1.70	2.20	-	-	5.60 (2.60~8.10)	1.319 (0.600~2.380)	5.79	99
15+15+22	1.47	1.47	2.86	-	-	5.80 (2.60~8.40)	1.269 (0.560~2.300)	5.57	99
15+15+25	1.41	1.41	2.98	-	-	5.80 (2.60~8.40)	1.269 (0.550~2.300)	5.57	99
15+15+35	1.33	1.33	3.14	-	-	5.80 (2.60~8.40)	1.269 (0.550~2.300)	5.57	99
15+15+42	1.12	1.12	3.56	-	-	5.80 (2.60~8.40)	1.269 (0.520~2.300)	5.57	99
15+15+50	0.97	0.97	3.87	-	-	5.80 (2.60~8.40)	1.269 (0.520~2.300)	5.57	99
15+18+18	1.31	2.54	2.54	-	-	6.40 (2.60~8.70)	1.389 (0.570~2.190)	6.10	99
15+18+20	1.49	2.89	1.93	-	-	6.30 (2.60~8.40)	1.439 (0.530~2.270)	6.32	99
15+18+22	1.31	2.54	2.54	-	-	6.40 (2.60~8.70)	1.389 (0.540~2.190)	6.10	99
15+18+25	1.27	2.46	2.68	-	-	6.40 (2.60~8.70)	1.389 (0.630~2.190)	6.10	99
15+18+35	1.21	2.35	2.84	-	-	6.40 (2.60~8.70)	1.389 (0.510~2.190)	6.10	99
15+18+42	1.05	2.03	3.32	-	-	6.40 (2.60~8.70)	1.389 (0.510~2.190)	6.10	99
15+18+50	0.92	1.79	3.69	-	-	6.40 (2.60~8.70)	1.389 (0.510~2.190)	6.10	99
15+20+20	1.70	2.20	2.20	-	-	6.10 (2.60~8.10)	1.489 (0.540~2.350)	6.54	99
15+20+22	1.49	1.93	2.89	-	-	6.30 (2.60~8.40)	1.439 (0.600~2.270)	6.32	99
15+20+25	1.43	1.85	3.02	-	-	6.30 (2.60~8.40)	1.439 (0.690~2.270)	6.32	99
15+20+35	1.36	1.75	3.19	-	-	6.30 (2.60~8.40)	1.439 (0.510~2.270)	6.32	99
15+20+42	1.15	1.49	3.66	-	-	6.30 (2.60~8.40)	1.439 (0.510~2.270)	6.32	99
15+20+50	1.00	1.30	4.00	-	-	6.30 (2.60~8.40)	1.439 (0.510~2.270)	6.32	99
15+22+22	1.31	2.54	2.54	-	-	6.40 (2.60~8.70)	1.389 (0.660~2.190)	6.10	99
15+22+25	1.27	2.46	2.68	-	-	6.40 (2.60~8.70)	1.389 (0.630~2.190)	6.10	99
15+22+35	1.21	2.35	2.84	-	-	6.40 (2.60~8.70)	1.389 (0.510~2.190)	6.10	99
15+22+42	1.05	2.03	3.32	-	-	6.40 (2.60~8.70)	1.389 (0.510~2.190)	6.10	99
15+22+50	0.92	1.79	3.69	-	-	6.40 (2.60~8.70)	1.389 (0.510~2.190)	6.10	99
15+25+25	1.22	2.59	2.59	-	-	6.40 (2.60~8.70)	1.389 (0.540~2.190)	6.10	99
15+25+35	1.17	2.48	2.75	-	-	6.40 (2.60~8.70)	1.389 (0.510~2.190)	6.10	99
15+25+42	1.02	2.15	3.23	-	-	6.40 (2.60~8.70)	1.389 (0.510~2.190)	6.10	99
15+25+50	0.90	1.90	3.60	-	-	6.40 (2.60~8.70)	1.389 (0.510~2.190)	6.10	99
15+35+35	1.12	2.64	2.64	-	-	6.40 (2.60~8.70)	1.389 (0.510~2.190)	6.10	99
15+35+42	0.98	2.31	3.11	-	-	6.40 (2.60~8.70)	1.389 (0.510~2.190)	6.10	99
15+35+50	0.87	2.05	3.48	-	-	6.40 (2.60~8.70)	1.389 (0.510~2.190)	6.10	99
15+42+42	0.87	2.76	2.76	-	-	6.40 (2.60~8.70)	1.389 (0.510~2.190)	6.10	99
18+18+18	2.33	2.33	2.33	-	-	7.00 (2.60~9.00)	1.509 (0.500~2.080)	6.63	99
18+18+20	2.59	2.59	1.73	-	-	6.90 (2.60~8.70)	1.559 (0.560~2.160)	6.85	99
18+18+22	2.33	2.33	2.33	-	-	7.00 (2.60~9.00)	1.509 (0.620~2.080)	6.63	99
18+18+25	2.26	2.26	2.47	-	-	7.00 (2.60~9.00)	1.509 (0.650~2.080)	6.63	99

**MXZ-3D54VA2 HEATING**

Indoor units combination	Cooling capacity (kW)						Outdoor unit power consumption(kW)	Current (A)	Power factor(%)
	Unit A	Unit B	Unit C	Unit D	Unit E	Total			
18+18+35	2.18	2.18	2.64	-	-	7.00 (2.60~9.00)	1.509 (0.500~2.080)	6.63	99
18+18+42	1.93	1.93	3.15	-	-	7.00 (2.60~9.00)	1.509 (0.500~2.080)	6.63	99
18+18+50	1.72	1.72	3.55	-	-	7.00 (2.60~9.00)	1.509 (0.500~2.080)	6.63	99
18+20+20	2.91	1.94	1.94	-	-	6.80 (2.60~8.40)	1.609 (0.620~2.240)	7.07	99
18+20+22	2.59	1.73	2.59	-	-	6.90 (2.60~8.70)	1.559 (0.680~2.160)	6.85	99
18+20+25	2.50	1.67	2.73	-	-	6.90 (2.60~8.70)	1.559 (0.590~2.160)	6.85	99
18+20+35	2.40	1.60	2.91	-	-	6.90 (2.60~8.70)	1.559 (0.500~2.160)	6.85	99
18+20+42	2.09	1.39	3.42	-	-	6.90 (2.60~8.70)	1.559 (0.500~2.160)	6.85	99
18+20+50	1.85	1.23	3.81	-	-	6.90 (2.60~8.70)	1.559 (0.500~2.160)	6.85	99
18+22+22	2.33	2.33	2.33	-	-	7.00 (2.60~9.00)	1.509 (0.620~2.080)	6.63	99
18+22+25	2.26	2.26	2.47	-	-	7.00 (2.60~9.00)	1.509 (0.530~2.080)	6.63	99
18+22+35	2.18	2.18	2.64	-	-	7.00 (2.60~9.00)	1.509 (0.500~2.080)	6.63	99
18+22+42	1.93	1.93	3.15	-	-	7.00 (2.60~9.00)	1.509 (0.500~2.080)	6.63	99
18+22+50	1.72	1.72	3.55	-	-	7.00 (2.60~9.00)	1.509 (0.500~2.080)	6.63	99
18+25+25	2.20	2.40	2.40	-	-	7.00 (2.60~9.00)	1.509 (0.500~2.080)	6.63	99
18+25+35	2.12	2.31	2.57	-	-	7.00 (2.60~9.00)	1.509 (0.500~2.080)	6.63	99
18+25+42	1.88	2.05	3.07	-	-	7.00 (2.60~9.00)	1.509 (0.500~2.080)	6.63	99
18+25+50	1.69	1.84	3.47	-	-	7.00 (2.60~9.00)	1.509 (0.500~2.080)	6.63	99
18+35+35	2.04	2.48	2.48	-	-	7.00 (2.60~9.00)	1.509 (0.500~2.080)	6.63	99
18+35+42	1.82	2.20	2.98	-	-	7.00 (2.60~9.00)	1.509 (0.500~2.080)	6.63	99
20+20+20	2.20	2.20	2.20	-	-	6.60 (2.60~8.00)	1.659 (0.680~2.320)	7.29	99
20+20+22	1.94	1.94	2.91	-	-	6.80 (2.60~8.40)	1.609 (0.620~2.240)	7.07	99
20+20+25	1.87	1.87	3.06	-	-	6.80 (2.60~8.40)	1.609 (0.530~2.240)	7.07	99
20+20+35	1.78	1.78	3.24	-	-	6.80 (2.60~8.40)	1.609 (0.500~2.240)	7.07	99
20+20+42	1.53	1.53	3.75	-	-	6.80 (2.60~8.40)	1.609 (0.500~2.240)	7.07	99
20+20+50	1.34	1.34	4.13	-	-	6.80 (2.60~8.40)	1.609 (0.500~2.240)	7.07	99
20+22+22	1.73	2.59	2.59	-	-	6.90 (2.60~8.70)	1.559 (0.560~2.160)	6.85	99
20+22+25	1.67	2.50	2.73	-	-	6.90 (2.60~8.70)	1.559 (0.500~2.160)	6.85	99
20+22+35	1.60	2.40	2.91	-	-	6.90 (2.60~8.70)	1.559 (0.500~2.160)	6.85	99
20+22+42	1.39	2.09	3.42	-	-	6.90 (2.60~8.70)	1.559 (0.500~2.160)	6.85	99
20+22+50	1.23	1.85	3.81	-	-	6.90 (2.60~8.70)	1.559 (0.500~2.160)	6.85	99
20+25+25	1.61	2.64	2.64	-	-	6.90 (2.60~8.70)	1.559 (0.500~2.160)	6.85	99
20+25+35	1.55	2.53	2.82	-	-	6.90 (2.60~8.70)	1.559 (0.500~2.160)	6.85	99
20+25+42	1.36	2.22	3.33	-	-	6.90 (2.60~8.70)	1.559 (0.500~2.160)	6.85	99
20+25+50	1.20	1.97	3.72	-	-	6.90 (2.60~8.70)	1.559 (0.500~2.160)	6.85	99
20+35+35	1.49	2.71	2.71	-	-	6.90 (2.60~8.70)	1.559 (0.500~2.160)	6.85	99
20+35+42	1.31	2.38	3.21	-	-	6.90 (2.60~8.70)	1.559 (0.500~2.160)	6.85	99
22+22+22	2.33	2.33	2.33	-	-	7.00 (2.60~9.00)	1.509 (0.500~2.080)	6.63	99
22+22+25	2.26	2.26	2.47	-	-	7.00 (2.60~9.00)	1.509 (0.500~2.080)	6.63	99
22+22+35	2.18	2.18	2.64	-	-	7.00 (2.60~9.00)	1.509 (0.500~2.080)	6.63	99
22+22+42	1.93	1.93	3.15	-	-	7.00 (2.60~9.00)	1.509 (0.500~2.080)	6.63	99

## MXZ-3D54VA2 HEATING

Indoor units combination	Cooling capacity (kW)						Outdoor unit power consumption(kW)	Current (A)	Power factor(%)
	Unit A	Unit B	Unit C	Unit D	Unit E	Total			
22+22+50	1.72	1.72	3.55	-	-	7.00 (2.60~9.00)	1.509 (0.500~2.080)	6.63	99
22+25+25	2.20	2.40	2.40	-	-	7.00 (2.60~9.00)	1.509 (0.500~2.080)	6.63	99
22+25+35	2.12	2.31	2.57	-	-	7.00 (2.60~9.00)	1.509 (0.500~2.080)	6.63	99
22+25+42	1.88	2.05	3.07	-	-	7.00 (2.60~9.00)	1.509 (0.500~2.080)	6.63	99
22+25+50	1.69	1.84	3.47	-	-	7.00 (2.60~9.00)	1.509 (0.500~2.080)	6.63	99
22+35+35	2.04	2.48	2.48	-	-	7.00 (2.60~9.00)	1.509 (0.500~2.080)	6.63	99
22+35+42	1.82	2.20	2.98	-	-	7.00 (2.60~9.00)	1.509 (0.500~2.080)	6.63	99
25+25+25	2.33	2.33	2.33	-	-	7.00 (2.60~9.00)	1.509 (0.500~2.080)	6.63	99
25+25+35	2.25	2.25	2.50	-	-	7.00 (2.60~9.00)	1.509 (0.500~2.080)	6.63	99
25+25+42	2.00	2.00	3.00	-	-	7.00 (2.60~9.00)	1.509 (0.500~2.080)	6.63	99
25+25+50	1.80	1.80	3.40	-	-	7.00 (2.60~9.00)	1.509 (0.500~2.080)	6.63	99
25+35+35	2.17	2.41	2.41	-	-	7.00 (2.60~9.00)	1.509 (0.500~2.080)	6.63	99

# MXZ-3D68VA COOLING

Indoor units combination	Cooling capacity (kW)						Outdoor unit power consumption(kW)	Current (A)	Power factor(%)
	Unit A	Unit B	Unit C	Unit D	Unit E	Total			
15	1.50	-	-	-	-	1.50 (1.40-3.00)	0.490 (0.450-1.020)	2.15	99
18	1.80	-	-	-	-	1.80 (1.40-3.00)	0.420 (0.420-0.740)	1.84	99
20	2.00	-	-	-	-	2.00 (1.40-3.00)	0.540 (0.450-1.020)	2.37	99
22	2.20	-	-	-	-	2.20 (1.40-3.00)	0.510 (0.420-0.740)	2.24	99
25	2.50	-	-	-	-	2.50 (1.40-3.30)	0.580 (0.420-0.830)	2.55	99
35	3.50	-	-	-	-	3.50 (1.50-4.30)	0.820 (0.430-1.180)	3.60	99
42	4.20	-	-	-	-	4.20 (1.60-5.00)	1.080 (0.450-1.420)	4.74	99
50	5.00	-	-	-	-	5.00 (1.60-5.60)	1.430 (0.480-1.660)	6.28	99
60	6.00	-	-	-	-	6.00 (1.60-6.60)	1.700 (0.480-2.250)	7.47	99
15+15	1.50	1.50	-	-	-	3.00 (2.00-5.40)	0.790 (0.540-1.800)	3.47	99
15+18	1.50	1.80	-	-	-	3.30 (2.00-5.40)	0.841 (0.620-1.890)	3.69	99
15+20	1.50	2.00	-	-	-	3.50 (2.00-5.40)	0.885 (0.700-2.005)	3.89	99
15+22	1.50	2.20	-	-	-	3.70 (2.00-5.40)	0.929 (0.660-1.850)	4.08	99
15+25	1.50	2.50	-	-	-	4.00 (2.00-5.40)	1.130 (0.780-1.970)	4.96	99
15+35	1.50	3.50	-	-	-	5.00 (2.00-6.00)	1.470 (0.620-2.150)	6.46	99
15+42	1.50	4.20	-	-	-	5.70 (2.00-6.40)	1.691 (0.620-2.500)	7.43	99
15+50	1.50	5.00	-	-	-	6.50 (2.00-6.90)	2.064 (0.630-2.860)	9.06	99
15+60	1.36	5.44	-	-	-	6.80 (2.00-7.10)	2.232 (0.640-2.980)	9.80	99
18+18	1.80	1.80	-	-	-	3.60 (2.00-5.40)	0.832 (0.540-1.640)	3.65	99
18+20	1.80	2.00	-	-	-	3.80 (2.00-5.40)	0.996 (0.700-1.890)	4.37	99
18+22	1.80	2.20	-	-	-	4.00 (2.00-5.40)	1.100 (0.700-1.800)	4.83	99
18+25	1.80	2.50	-	-	-	4.30 (2.00-5.40)	1.177 (0.580-1.680)	5.17	99
18+35	1.80	3.50	-	-	-	5.30 (2.00-6.20)	1.535 (0.540-2.130)	6.74	99
18+42	1.80	4.20	-	-	-	6.00 (2.00-6.60)	1.755 (0.540-2.480)	7.71	99
18+60	1.57	5.23	-	-	-	6.80 (2.00-7.10)	2.202 (0.560-2.810)	9.67	99
20+20	2.00	2.00	-	-	-	4.00 (2.00-5.40)	1.100 (0.700-1.800)	4.83	99
20+22	2.00	2.20	-	-	-	4.20 (2.00-5.40)	1.181 (0.700-1.890)	5.19	99
20+25	2.00	2.50	-	-	-	4.50 (2.00-5.50)	1.272 (0.620-1.865)	5.59	99
20+35	2.00	3.50	-	-	-	5.50 (2.00-6.30)	1.628 (0.620-2.400)	7.15	99
20+42	2.00	4.20	-	-	-	6.20 (2.00-6.70)	1.897 (0.620-2.740)	8.33	99
20+50	1.94	4.86	-	-	-	6.80 (2.00-7.10)	2.232 (0.630-2.990)	9.80	99
20+60	1.70	5.10	-	-	-	6.80 (2.00-7.10)	2.232 (0.640-2.980)	9.80	99
22+22	2.20	2.20	-	-	-	4.40 (2.00-5.40)	1.202 (0.540-1.640)	5.28	99
22+25	2.20	2.50	-	-	-	4.70 (2.00-5.70)	1.321 (0.540-1.810)	5.80	99
22+35	2.20	3.50	-	-	-	5.70 (2.00-6.40)	1.661 (0.540-2.330)	7.29	99
22+42	2.20	4.20	-	-	-	6.40 (2.00-6.90)	1.979 (0.540-2.655)	8.69	99
22+50	2.08	4.72	-	-	-	6.80 (2.00-7.10)	2.202 (0.550-2.820)	9.67	99
22+60	1.82	4.98	-	-	-	6.80 (2.00-7.10)	2.202 (0.560-2.810)	9.67	99
25+25	2.50	2.50	-	-	-	5.00 (2.00-6.00)	1.440 (0.540-1.980)	6.32	99
25+35	2.50	3.50	-	-	-	6.00 (2.00-6.60)	1.755 (0.540-2.480)	7.71	99
25+42	2.50	4.20	-	-	-	6.70 (2.00-7.00)	2.146 (0.540-2.785)	9.42	99

# MXZ-3D68VA COOLING

Indoor units combination	Cooling capacity (kW)						Outdoor unit power consumption(kW)	Current (A)	Power factor(%)
	Unit A	Unit B	Unit C	Unit D	Unit E	Total			
25+50	2.27	4.53	-	-	-	6.80 (2.00-7.10)	2.202 (0.550-2.820)	9.67	99
25+60	2.00	4.80	-	-	-	6.80 (2.00-7.10)	2.194 (0.560-2.810)	9.64	99
35+35	3.40	3.40	-	-	-	6.80 (2.00-7.10)	2.202 (0.540-2.830)	9.67	99
35+42	3.09	3.71	-	-	-	6.80 (2.00-7.10)	2.202 (0.540-2.830)	9.67	99
35+50	2.80	4.00	-	-	-	6.80 (2.00-7.10)	2.194 (0.550-2.820)	9.64	99
35+60	2.51	4.29	-	-	-	6.80 (2.10-7.10)	2.119 (0.570-2.830)	9.31	99
42+42	3.40	3.40	-	-	-	6.80 (2.00-7.10)	2.202 (0.540-2.830)	9.67	99
42+50	3.10	3.70	-	-	-	6.80 (2.10-7.10)	2.142 (0.560-2.835)	9.41	99
42+60	2.80	4.00	-	-	-	6.80 (2.10-7.10)	2.064 (0.580-2.845)	9.06	99
50+50	3.40	3.40	-	-	-	6.80 (2.10-7.10)	2.081 (0.560-2.860)	9.14	99
50+60	3.09	3.71	-	-	-	6.80 (2.10-7.10)	1.997 (0.600-2.860)	8.77	99
60+60	3.40	3.40	-	-	-	6.80 (2.10-7.10)	1.912 (0.580-2.920)	8.40	99
15+15+15	1.50	1.50	1.50	-	-	4.50 (2.90-6.80)	0.810 (0.670-1.770)	3.56	99
15+15+18	1.50	1.50	1.80	-	-	4.80 (2.90-6.80)	1.097 (0.750-2.130)	4.82	99
15+15+20	1.50	1.50	2.00	-	-	5.00 (2.90-6.60)	1.267 (0.790-2.160)	5.56	99
15+15+22	1.50	1.50	2.20	-	-	5.20 (2.90-6.80)	1.336 (0.750-2.130)	5.87	99
15+15+25	1.50	1.50	2.50	-	-	5.50 (2.90-7.00)	1.499 (0.750-2.305)	6.58	99
15+15+35	1.50	1.50	3.50	-	-	6.50 (2.90-8.10)	1.928 (0.750-3.235)	8.47	99
15+15+42	1.42	1.42	3.97	-	-	6.80 (2.90-8.40)	2.236 (0.750-3.280)	9.82	99
15+15+50	1.28	1.28	4.25	-	-	6.80 (2.90-8.40)	2.165 (0.750-3.270)	9.51	99
15+15+60	1.13	1.13	4.53	-	-	6.80 (2.90-8.40)	2.012 (0.750-3.255)	8.84	99
15+18+18	1.50	1.80	1.80	-	-	5.10 (2.90-6.80)	1.223 (0.710-1.950)	5.37	99
15+18+20	1.50	1.80	2.00	-	-	5.30 (2.90-6.60)	1.392 (0.750-1.980)	6.11	99
15+18+22	1.50	1.80	2.20	-	-	5.50 (2.90-7.00)	1.445 (0.710-2.125)	6.35	99
15+18+25	1.50	1.80	2.50	-	-	5.80 (2.90-7.70)	1.574 (0.710-2.645)	6.91	99
15+18+42	1.36	1.63	3.81	-	-	6.80 (2.90-8.40)	2.182 (0.710-3.100)	9.58	99
15+18+50	1.23	1.47	4.10	-	-	6.80 (2.90-8.40)	2.074 (0.710-3.085)	9.11	99
15+18+60	1.10	1.32	4.39	-	-	6.80 (2.90-8.40)	1.921 (0.710-3.075)	8.44	99
15+20+20	1.50	2.00	2.00	-	-	5.50 (2.90-6.60)	1.545 (0.790-2.185)	6.79	99
15+20+22	1.50	2.00	2.20	-	-	5.70 (2.90-7.30)	1.581 (0.750-2.500)	6.94	99
15+20+25	1.50	2.00	2.50	-	-	6.00 (2.90-7.90)	1.710 (0.750-3.020)	7.51	99
15+20+35	1.46	1.94	3.40	-	-	6.80 (2.90-8.20)	2.252 (0.750-3.140)	9.89	99
15+20+42	1.32	1.77	3.71	-	-	6.80 (2.90-8.20)	2.207 (0.750-3.130)	9.69	99
15+20+50	1.20	1.60	4.00	-	-	6.80 (2.90-8.20)	2.099 (0.750-3.115)	9.22	99
15+20+60	1.07	1.43	4.29	-	-	6.80 (2.90-8.20)	1.946 (0.750-3.105)	8.55	99
15+22+22	1.50	2.20	2.20	-	-	5.90 (2.90-7.90)	1.617 (0.710-2.815)	7.10	99
15+22+25	1.50	2.20	2.50	-	-	6.20 (2.90-8.10)	1.746 (0.710-3.015)	7.67	99
15+22+35	1.42	2.08	3.31	-	-	6.80 (2.90-8.40)	2.202 (0.710-3.110)	9.67	99
15+22+42	1.29	1.89	3.62	-	-	6.80 (2.90-8.40)	2.133 (0.710-3.100)	9.37	99
15+22+50	1.17	1.72	3.91	-	-	6.80 (2.90-8.40)	2.024 (0.710-3.085)	8.89	99
15+22+60	1.05	1.54	4.21	-	-	6.80 (2.90-8.40)	1.871 (0.710-3.075)	8.22	99

# MXZ-3D68VA COOLING

Indoor units combination	Cooling capacity (kW)						Outdoor unit power consumption(kW)	Current (A)	Power factor(%)
	Unit A	Unit B	Unit C	Unit D	Unit E	Total			
15+25+25	1.50	2.50	2.50	-	-	6.50 (2.90-8.10)	1.874 (0.710-3.055)	8.23	99
15+25+35	1.36	2.27	3.17	-	-	6.80 (2.90-8.40)	2.202 (0.710-3.110)	9.67	99
15+25+42	1.24	2.07	3.48	-	-	6.80 (2.90-8.40)	2.096 (0.710-3.100)	9.21	99
15+25+50	1.13	1.89	3.78	-	-	6.80 (2.90-8.40)	1.988 (0.710-3.085)	8.73	99
15+25+60	1.02	1.70	4.08	-	-	6.80 (2.90-8.40)	1.835 (0.710-3.070)	8.06	99
15+35+35	1.20	2.80	2.80	-	-	6.80 (2.90-8.40)	2.079 (0.710-3.105)	9.13	99
15+35+42	1.11	2.59	3.10	-	-	6.80 (2.90-8.40)	1.973 (0.710-3.095)	8.66	99
15+35+50	1.02	2.38	3.40	-	-	6.80 (2.90-8.40)	1.865 (0.710-3.080)	8.19	99
15+35+60	0.93	2.16	3.71	-	-	6.80 (2.90-8.40)	1.773 (0.710-3.070)	7.79	99
15+42+42	1.03	2.88	2.88	-	-	6.80 (2.90-8.40)	1.867 (0.710-3.080)	8.20	99
15+42+50	0.95	2.67	3.18	-	-	6.80 (2.90-8.40)	1.783 (0.710-3.070)	7.83	99
15+42+60	0.87	2.44	3.49	-	-	6.80 (2.90-8.40)	1.753 (0.710-3.060)	7.70	99
15+50+50	0.89	2.96	2.96	-	-	6.80 (2.90-8.40)	1.773 (0.710-3.060)	7.79	99
18+18+18	1.80	1.80	1.80	-	-	5.40 (2.90-6.80)	1.348 (0.670-1.770)	5.92	99
18+18+20	1.80	1.80	2.00	-	-	5.60 (2.90-7.00)	1.484 (0.710-2.145)	6.52	99
18+18+22	1.80	1.80	2.20	-	-	5.80 (2.90-7.70)	1.520 (0.670-2.465)	6.68	99
18+18+25	1.80	1.80	2.50	-	-	6.10 (2.90-8.10)	1.649 (0.670-2.825)	7.24	99
18+18+35	1.72	1.72	3.35	-	-	6.80 (2.90-8.40)	2.148 (0.670-2.930)	9.43	99
18+18+42	1.57	1.57	3.66	-	-	6.80 (2.90-8.40)	2.091 (0.670-2.920)	9.18	99
18+18+50	1.42	1.42	3.95	-	-	6.80 (2.90-8.40)	1.983 (0.670-2.905)	8.71	99
18+18+60	1.28	1.28	4.25	-	-	6.80 (2.90-8.40)	1.830 (0.670-2.895)	8.04	99
18+20+20	1.80	2.00	2.00	-	-	5.60 (2.90-7.30)	1.620 (0.750-2.525)	7.11	99
18+20+22	1.80	2.00	2.20	-	-	6.00 (2.90-7.90)	1.656 (0.710-2.840)	7.27	99
18+20+25	1.80	2.00	2.50	-	-	6.30 (2.90-7.90)	1.785 (0.710-2.880)	7.84	99
18+20+35	1.68	1.86	3.26	-	-	6.80 (2.90-8.20)	2.198 (0.710-2.960)	9.65	99
18+20+42	1.53	1.70	3.57	-	-	6.80 (2.90-8.20)	2.117 (0.710-2.950)	9.30	99
18+20+50	1.39	1.55	3.86	-	-	6.80 (2.90-8.20)	2.008 (0.710-2.935)	8.82	99
18+20+60	1.25	1.39	4.16	-	-	6.80 (2.90-8.20)	1.855 (0.710-2.920)	8.15	99
18+22+22	1.80	2.20	2.20	-	-	6.20 (2.90-8.10)	1.692 (0.670-2.835)	7.43	99
18+22+25	1.80	2.20	2.50	-	-	6.50 (2.90-8.10)	1.820 (0.670-2.875)	7.99	99
18+22+35	1.63	1.99	3.17	-	-	6.80 (2.90-8.40)	2.148 (0.670-2.930)	9.43	99
18+22+42	1.49	1.82	3.48	-	-	6.80 (2.90-8.40)	2.042 (0.670-2.920)	8.97	99
18+22+50	1.36	1.66	3.78	-	-	6.80 (2.90-8.40)	1.934 (0.670-2.905)	8.49	99
18+22+60	1.22	1.50	4.08	-	-	6.80 (2.90-8.40)	1.781 (0.670-2.890)	7.82	99
18+25+25	1.80	2.50	2.50	-	-	6.80 (2.90-8.40)	2.148 (0.670-2.930)	9.43	99
18+25+35	1.57	2.18	3.05	-	-	6.80 (2.90-8.40)	2.111 (0.670-2.930)	9.27	99
18+25+42	1.44	2.00	3.36	-	-	6.80 (2.90-8.40)	2.005 (0.670-2.915)	8.81	99
18+25+50	1.32	1.83	3.66	-	-	6.80 (2.90-8.40)	1.897 (0.670-2.905)	8.33	99
18+25+60	1.19	1.65	3.96	-	-	6.80 (2.90-8.40)	1.744 (0.670-2.890)	7.66	99
18+35+35	1.39	2.70	2.70	-	-	6.80 (2.90-8.40)	1.988 (0.670-2.925)	8.73	99
18+35+42	1.29	2.51	3.01	-	-	6.80 (2.90-8.40)	1.882 (0.670-2.915)	8.27	99

# MXZ-3D68VA COOLING

Indoor units combination	Cooling capacity (kW)						Outdoor unit power consumption(kW)	Current (A)	Power factor(%)
	Unit A	Unit B	Unit C	Unit D	Unit E	Total			
18+35+50	1.19	2.31	3.30	-	-	6.80 (2.90-8.40)	1.774 (0.670-2.900)	7.79	99
18+35+60	1.08	2.11	3.61	-	-	6.80 (2.90-8.40)	1.719 (0.670-2.890)	7.55	99
18+42+42	1.20	2.80	2.80	-	-	6.80 (2.90-8.40)	1.776 (0.670-2.900)	7.80	99
18+42+50	1.11	2.60	3.09	-	-	6.80 (2.90-8.40)	1.729 (0.670-2.890)	7.59	99
18+42+60	1.02	2.38	3.40	-	-	6.80 (2.90-8.40)	1.699 (0.670-2.880)	7.46	99
18+50+50	1.04	2.88	2.88	-	-	6.80 (2.90-8.40)	1.719 (0.670-2.880)	7.55	99
20+20+20	2.00	2.00	2.00	-	-	6.00 (2.90-7.50)	1.756 (0.790-2.900)	7.71	99
20+20+22	2.00	2.00	2.20	-	-	6.20 (2.90-7.70)	1.792 (0.750-2.895)	7.87	99
20+20+25	2.00	2.00	2.50	-	-	6.50 (2.90-7.70)	1.920 (0.750-2.935)	8.43	99
20+20+35	1.81	1.81	3.17	-	-	6.80 (2.90-8.00)	2.248 (0.750-2.990)	9.87	99
20+20+42	1.66	1.66	3.48	-	-	6.80 (2.90-8.00)	2.142 (0.750-2.980)	9.41	99
20+20+50	1.51	1.51	3.78	-	-	6.80 (2.90-8.00)	2.034 (0.750-2.965)	8.93	99
20+20+60	1.36	1.36	4.08	-	-	6.80 (2.90-8.00)	1.881 (0.750-2.950)	8.26	99
20+22+22	2.00	2.20	2.20	-	-	6.40 (2.90-7.90)	1.827 (0.710-2.895)	8.02	99
20+22+25	2.00	2.20	2.50	-	-	6.70 (2.90-8.10)	2.056 (0.710-2.940)	9.03	99
20+22+35	1.77	1.94	3.09	-	-	6.80 (2.90-8.20)	2.173 (0.710-2.960)	9.54	99
20+22+42	1.62	1.78	3.40	-	-	6.80 (2.90-8.20)	2.067 (0.710-2.945)	9.08	99
20+22+50	1.48	1.63	3.70	-	-	6.80 (2.90-8.20)	1.959 (0.710-2.935)	8.60	99
20+22+60	1.33	1.47	4.00	-	-	6.80 (2.90-8.20)	1.806 (0.710-2.920)	7.93	99
20+25+25	1.94	2.43	2.43	-	-	6.80 (2.90-8.20)	2.198 (0.710-2.960)	9.65	99
20+25+35	1.70	2.13	2.98	-	-	6.80 (2.90-8.20)	2.137 (0.710-2.960)	9.39	99
20+25+42	1.56	1.95	3.28	-	-	6.80 (2.90-8.20)	2.030 (0.710-2.945)	8.92	99
20+25+50	1.43	1.79	3.58	-	-	6.80 (2.90-8.20)	1.922 (0.710-2.935)	8.44	99
20+25+60	1.30	1.62	3.89	-	-	6.80 (2.90-8.20)	1.769 (0.710-2.920)	7.77	99
20+35+35	1.51	2.64	2.64	-	-	6.80 (2.90-8.20)	2.014 (0.710-2.955)	8.84	99
20+35+42	1.40	2.45	2.94	-	-	6.80 (2.90-8.20)	1.907 (0.710-2.945)	8.38	99
20+35+50	1.30	2.27	3.24	-	-	6.80 (2.90-8.20)	1.799 (0.710-2.930)	7.90	99
20+35+60	1.18	2.07	3.55	-	-	6.80 (2.90-8.20)	1.769 (0.710-2.920)	7.77	99
20+42+42	1.31	2.75	2.75	-	-	6.80 (2.90-8.20)	1.801 (0.710-2.930)	7.91	99
20+42+50	1.21	2.55	3.04	-	-	6.80 (2.90-8.20)	1.779 (0.710-2.920)	7.81	99
20+50+50	1.13	2.83	2.83	-	-	6.80 (2.90-8.20)	1.769 (0.710-2.910)	7.77	99
22+22+22	2.20	2.20	2.20	-	-	6.60 (2.90-8.10)	1.863 (0.670-2.890)	8.18	99
22+22+25	2.17	2.17	2.46	-	-	6.80 (2.90-8.40)	2.148 (0.670-2.930)	9.43	99
22+22+35	1.89	1.89	3.01	-	-	6.80 (2.90-8.40)	2.099 (0.670-2.930)	9.22	99
22+22+42	1.74	1.74	3.32	-	-	6.80 (2.90-8.40)	1.993 (0.670-2.915)	8.75	99
22+22+50	1.59	1.59	3.62	-	-	6.80 (2.90-8.40)	1.884 (0.670-2.905)	8.27	99
22+22+60	1.44	1.44	3.92	-	-	6.80 (2.90-8.40)	1.731 (0.670-2.890)	7.60	99
22+25+25	2.08	2.36	2.36	-	-	6.80 (2.90-8.40)	2.148 (0.670-2.930)	9.43	99
22+25+35	1.82	2.07	2.90	-	-	6.80 (2.90-8.40)	2.062 (0.670-2.930)	9.06	99
22+25+42	1.68	1.91	3.21	-	-	6.80 (2.90-8.40)	1.956 (0.670-2.915)	8.59	99
22+25+50	1.54	1.75	3.51	-	-	6.80 (2.90-8.40)	1.847 (0.670-2.905)	8.11	99



## MXZ-3D68VA COOLING

Indoor units combination	Cooling capacity (kW)						Outdoor unit power consumption(kW)	Current (A)	Power factor(%)
	Unit A	Unit B	Unit C	Unit D	Unit E	Total			
22+25+60	1.40	1.59	3.81	-	-	6.80 (2.90-8.40)	1.719 (0.670-2.890)	7.55	99
22+35+35	1.63	2.59	2.59	-	-	6.80 (2.90-8.40)	1.939 (0.670-2.925)	8.52	99
22+35+42	1.51	2.40	2.88	-	-	6.80 (2.90-8.40)	1.833 (0.670-2.910)	8.05	99
22+35+50	1.40	2.22	3.18	-	-	6.80 (2.90-8.40)	1.749 (0.670-2.900)	7.68	99
22+35+60	1.28	2.03	3.49	-	-	6.80 (2.90-8.40)	1.719 (0.670-2.890)	7.55	99
22+42+42	1.41	2.69	2.69	-	-	6.80 (2.90-8.40)	1.739 (0.670-2.900)	7.64	99
22+42+50	1.31	2.51	2.98	-	-	6.80 (2.90-8.40)	1.729 (0.670-2.890)	7.59	99
25+25+25	2.27	2.27	2.27	-	-	6.80 (2.90-8.40)	2.148 (0.670-2.930)	9.43	99
25+25+35	2.00	2.00	2.80	-	-	6.80 (2.90-8.40)	2.025 (0.670-2.925)	8.89	99
25+25+42	1.85	1.85	3.10	-	-	6.80 (2.90-8.40)	1.919 (0.670-2.915)	8.43	99
25+25+50	1.70	1.70	3.40	-	-	6.80 (2.90-8.40)	1.811 (0.670-2.900)	7.95	99
25+25+60	1.55	1.55	3.71	-	-	6.80 (2.90-8.40)	1.719 (0.670-2.890)	7.55	99
25+35+35	1.79	2.51	2.51	-	-	6.80 (2.90-8.40)	1.902 (0.670-2.925)	8.35	99
25+35+42	1.67	2.33	2.80	-	-	6.80 (2.90-8.40)	1.796 (0.670-2.910)	7.89	99
25+35+50	1.55	2.16	3.09	-	-	6.80 (2.90-8.40)	1.749 (0.670-2.900)	7.68	99
25+35+60	1.42	1.98	3.40	-	-	6.80 (2.90-8.40)	1.719 (0.670-2.890)	7.55	99
25+42+42	1.56	2.62	2.62	-	-	6.80 (2.90-8.40)	1.739 (0.670-2.900)	7.64	99
25+42+50	1.45	2.44	2.91	-	-	6.80 (2.90-8.40)	1.729 (0.670-2.890)	7.59	99
35+35+35	2.27	2.27	2.27	-	-	6.80 (2.90-8.40)	1.779 (0.670-2.920)	7.81	99
35+35+42	2.13	2.13	2.55	-	-	6.80 (2.90-8.40)	1.759 (0.670-2.910)	7.73	99
35+35+50	1.98	1.98	2.83	-	-	6.80 (2.90-8.40)	1.749 (0.670-2.900)	7.68	99
35+42+42	2.00	2.40	2.40	-	-	6.80 (2.90-8.40)	1.739 (0.670-2.900)	7.64	99

# MXZ-3D68VA HEATING

Indoor units combination	Heating capacity (kW)					Outdoor unit power consumption(kW)	Current (A)	Power factor(%)	
	Unit A	Unit B	Unit C	Unit D	Unit E				Total
15	1.70	-	-	-	-	1.70 (1.20-3.00)	0.500 (0.400-0.950)	2.20	99
18	3.30	-	-	-	-	3.30 (1.20-4.20)	0.760 (0.380-1.090)	3.34	99
20	2.20	-	-	-	-	2.20 (1.20-3.90)	0.610 (0.390-1.330)	2.68	99
22	3.30	-	-	-	-	3.30 (1.20-4.20)	0.760 (0.380-1.090)	3.34	99
25	3.60	-	-	-	-	3.60 (1.20-4.50)	0.860 (0.380-1.190)	3.78	99
35	4.00	-	-	-	-	4.00 (1.20-4.80)	1.000 (0.380-1.300)	4.39	99
42	5.40	-	-	-	-	5.40 (1.30-6.50)	1.460 (0.370-1.800)	6.41	99
50	7.20	-	-	-	-	7.20 (1.40-8.20)	1.880 (0.370-2.300)	8.26	99
60	7.90	-	-	-	-	7.90 (1.40-8.60)	2.120 (0.360-2.410)	9.31	99
15+15	1.70	1.70	-	-	-	3.40 (1.80-5.00)	0.796 (0.670-1.300)	3.50	99
15+18	1.70	3.30	-	-	-	5.00 (1.80-6.10)	1.146 (0.540-1.530)	5.03	99
15+20	1.70	2.20	-	-	-	3.90 (1.80-5.80)	0.966 (0.650-1.625)	4.24	99
15+22	1.70	3.30	-	-	-	5.00 (1.80-6.10)	1.146 (0.540-1.530)	5.03	99
15+25	1.60	3.40	-	-	-	5.00 (1.80-6.10)	1.146 (0.540-1.530)	5.03	99
15+35	1.67	3.93	-	-	-	5.60 (1.80-7.90)	1.320 (0.540-2.190)	5.80	99
15+42	1.46	4.64	-	-	-	6.10 (1.80-7.90)	1.446 (0.540-2.190)	6.35	99
15+50	1.28	5.42	-	-	-	6.70 (1.80-7.90)	1.575 (0.540-2.180)	6.92	99
15+60	1.24	5.76	-	-	-	7.00 (1.80-7.90)	1.671 (0.540-2.150)	7.34	99
18+18	3.30	3.30	-	-	-	6.60 (1.80-7.20)	1.496 (0.410-1.760)	6.57	99
18+20	3.30	2.20	-	-	-	5.50 (1.80-6.90)	1.316 (0.520-1.855)	5.78	99
18+22	3.30	3.30	-	-	-	6.60 (1.80-7.20)	1.496 (0.410-1.760)	6.57	99
18+25	3.16	3.44	-	-	-	6.60 (1.80-7.20)	1.496 (0.410-1.760)	6.57	99
18+35	3.30	4.00	-	-	-	7.30 (1.80-9.00)	1.724 (0.410-2.420)	7.57	99
18+42	3.00	4.90	-	-	-	7.90 (1.80-9.00)	1.850 (0.410-2.420)	8.12	99
18+60	2.53	6.07	-	-	-	8.60 (1.80-9.00)	2.034 (0.400-2.365)	8.93	99
20+20	2.20	2.20	-	-	-	4.40 (1.80-6.60)	1.136 (0.630-1.950)	4.99	99
20+22	2.20	3.30	-	-	-	5.50 (1.80-6.90)	1.316 (0.520-1.855)	5.78	99
20+25	2.12	3.48	-	-	-	5.60 (1.80-7.20)	1.347 (0.520-1.965)	5.92	99
20+35	2.20	4.00	-	-	-	6.20 (1.80-8.70)	1.580 (0.520-2.515)	6.94	99
20+42	2.00	4.90	-	-	-	6.90 (1.80-8.70)	1.704 (0.520-2.515)	7.48	99
20+50	1.76	5.74	-	-	-	7.50 (1.80-8.70)	1.830 (0.520-2.505)	8.04	99
20+60	1.63	5.87	-	-	-	7.50 (1.80-8.70)	1.863 (0.510-2.450)	8.18	99
22+22	3.30	3.30	-	-	-	6.60 (1.80-7.20)	1.496 (0.410-1.760)	6.57	99
22+25	3.30	3.60	-	-	-	6.90 (1.80-8.10)	1.588 (0.410-2.095)	6.97	99
22+35	3.30	4.00	-	-	-	7.30 (1.80-9.00)	1.796 (0.410-2.420)	7.89	99
22+42	3.11	5.09	-	-	-	8.20 (1.80-9.00)	1.918 (0.410-2.420)	8.42	99
22+50	2.70	5.90	-	-	-	8.60 (1.80-9.00)	2.019 (0.410-2.400)	8.87	99
22+60	2.53	6.07	-	-	-	8.60 (1.80-9.00)	2.051 (0.400-2.350)	9.01	99
25+25	3.60	3.60	-	-	-	7.20 (1.80-9.00)	1.680 (0.410-2.430)	7.38	99
25+35	3.60	4.00	-	-	-	7.60 (1.80-9.00)	1.850 (0.410-2.420)	8.12	99
25+42	3.36	5.04	-	-	-	8.40 (1.80-9.00)	1.969 (0.410-2.420)	8.65	99

# MXZ-3D68VA HEATING

Indoor units combination	Heating capacity (kW)						Outdoor unit power consumption(kW)	Current (A)	Power factor(%)
	Unit A	Unit B	Unit C	Unit D	Unit E	Total			
25+50	2.87	5.73	-	-	-	8.60 (1.80-9.00)	2.031 (0.410-2.390)	8.92	99
25+60	2.69	5.91	-	-	-	8.60 (1.80-9.00)	2.043 (0.400-2.335)	8.97	99
35+35	4.00	4.00	-	-	-	8.00 (1.80-9.00)	2.010 (0.410-2.410)	8.83	99
35+42	3.66	4.94	-	-	-	8.60 (1.80-9.00)	2.040 (0.410-2.380)	8.96	99
35+50	3.07	5.53	-	-	-	8.60 (1.80-9.00)	2.043 (0.400-2.335)	8.97	99
35+60	2.89	5.71	-	-	-	8.60 (1.90-9.00)	1.864 (0.370-2.275)	8.19	99
42+42	4.30	4.30	-	-	-	8.60 (1.80-9.00)	2.070 (0.400-2.350)	9.09	99
42+50	3.69	4.91	-	-	-	8.60 (1.90-9.00)	1.925 (0.380-2.300)	8.45	99
42+60	3.49	5.11	-	-	-	8.60 (1.90-9.00)	1.778 (0.360-2.235)	7.81	99
50+50	4.30	4.30	-	-	-	8.60 (1.90-9.00)	1.780 (0.360-2.250)	7.82	99
50+60	4.10	4.50	-	-	-	8.60 (1.90-9.00)	1.760 (0.360-2.160)	7.73	99
60+60	4.30	4.30	-	-	-	8.60 (1.90-9.00)	1.740 (0.360-2.070)	7.64	99
15+15+15	1.70	1.70	1.70	-	-	5.10 (2.60-8.50)	1.129 (0.890-2.425)	4.96	99
15+15+18	1.62	1.62	3.15	-	-	6.40 (2.60-9.20)	1.519 (0.760-2.775)	6.67	99
15+15+20	1.70	1.70	2.20	-	-	5.60 (2.60-9.00)	1.269 (0.890-2.645)	5.57	99
15+15+22	1.62	1.62	3.15	-	-	6.40 (2.60-9.20)	1.519 (0.760-2.775)	6.67	99
15+15+25	1.55	1.55	3.29	-	-	6.40 (2.60-9.20)	1.519 (0.760-2.775)	6.67	99
15+15+35	1.47	1.47	3.46	-	-	6.40 (2.60-9.20)	1.509 (0.760-2.765)	6.63	99
15+15+42	1.24	1.24	3.93	-	-	6.40 (2.60-9.20)	1.509 (0.760-2.765)	6.63	99
15+15+50	1.03	1.03	4.35	-	-	6.40 (2.60-9.20)	1.499 (1.510-2.755)	6.58	99
15+15+60	0.96	0.96	4.47	-	-	6.40 (2.60-9.20)	1.489 (3.010-2.745)	6.54	99
15+18+18	1.54	2.98	2.98	-	-	7.50 (2.60-9.90)	1.909 (0.630-3.125)	8.38	99
15+18+20	1.63	3.16	2.11	-	-	6.90 (2.60-9.70)	1.659 (0.760-2.995)	7.29	99
15+18+22	1.54	2.98	2.98	-	-	7.50 (2.60-9.90)	1.909 (0.630-3.125)	8.38	99
15+18+25	1.48	2.88	3.14	-	-	7.50 (2.60-9.90)	1.909 (0.630-3.125)	8.38	99
15+18+42	1.23	2.38	3.89	-	-	7.50 (2.60-9.90)	1.899 (0.630-3.115)	8.34	99
15+18+50	1.05	2.03	4.43	-	-	7.50 (2.60-9.90)	1.889 (1.830-3.105)	8.30	99
15+18+60	0.99	1.92	4.59	-	-	7.50 (2.60-9.90)	1.879 (3.330-3.095)	8.25	99
15+20+20	1.70	2.20	2.20	-	-	6.10 (2.60-9.50)	1.409 (0.890-2.865)	6.19	99
15+20+22	1.63	2.11	3.16	-	-	6.90 (2.60-9.70)	1.659 (0.760-2.995)	7.29	99
15+20+25	1.56	2.02	3.31	-	-	6.90 (2.60-9.70)	1.659 (0.760-2.995)	7.29	99
15+20+35	1.48	1.92	3.49	-	-	6.90 (2.60-9.70)	1.649 (0.760-2.985)	7.24	99
15+20+42	1.26	1.63	4.01	-	-	6.90 (2.60-9.70)	1.649 (1.060-2.985)	7.24	99
15+20+50	1.06	1.37	4.48	-	-	6.90 (2.60-9.70)	1.639 (2.260-2.975)	7.20	99
15+20+60	0.99	1.29	4.62	-	-	6.90 (2.60-9.70)	1.629 (3.760-2.965)	7.15	99
15+22+22	1.54	2.98	2.98	-	-	7.50 (2.60-9.90)	1.909 (0.630-3.125)	8.38	99
15+22+25	1.48	2.88	3.14	-	-	7.50 (2.60-9.90)	1.909 (0.630-3.125)	8.38	99
15+22+35	1.42	2.75	3.33	-	-	7.50 (2.60-9.90)	1.899 (0.630-3.115)	8.34	99
15+22+42	1.23	2.38	3.89	-	-	7.50 (2.60-9.90)	1.899 (1.230-3.115)	8.34	99
15+22+50	1.05	2.03	4.43	-	-	7.50 (2.60-9.90)	1.889 (2.430-3.105)	8.30	99
15+22+60	0.99	1.92	4.59	-	-	7.50 (2.60-9.90)	1.879 (3.930-3.095)	8.25	99

# MXZ-3D68VA HEATING

Indoor units combination	Heating capacity (kW)						Outdoor unit power consumption(kW)	Current (A)	Power factor(%)
	Unit A	Unit B	Unit C	Unit D	Unit E	Total			
15+25+25	1.43	3.03	3.03	-	-	7.50 (2.60-9.90)	1.909 (0.630-3.125)	8.38	99
15+25+35	1.37	2.90	3.23	-	-	7.50 (2.60-9.90)	1.899 (0.630-3.115)	8.34	99
15+25+42	1.19	2.52	3.79	-	-	7.50 (2.60-9.90)	1.899 (1.680-3.115)	8.34	99
15+25+50	1.02	2.16	4.32	-	-	7.50 (2.60-9.90)	1.889 (2.880-3.105)	8.30	99
15+25+60	0.97	2.05	4.49	-	-	7.50 (2.60-9.90)	1.879 (4.380-3.095)	8.25	99
15+35+35	1.31	3.09	3.09	-	-	7.50 (2.60-9.90)	1.889 (2.130-3.105)	8.30	99
15+35+42	1.15	2.70	3.65	-	-	7.50 (2.60-9.90)	1.889 (3.180-3.105)	8.30	99
15+35+50	0.99	2.33	4.19	-	-	7.50 (2.60-9.90)	1.879 (4.380-3.095)	8.25	99
15+35+60	0.94	2.21	4.36	-	-	7.50 (2.60-9.90)	1.869 (4.060-3.085)	8.21	99
15+42+42	1.02	3.24	3.24	-	-	7.50 (2.60-9.90)	1.889 (4.230-3.105)	8.30	99
15+42+50	0.89	2.83	3.78	-	-	7.50 (2.60-9.90)	1.879 (4.700-3.095)	8.25	99
15+42+60	0.85	2.70	3.95	-	-	7.50 (2.60-9.90)	1.869 (2.560-3.085)	8.21	99
15+50+50	0.79	3.35	3.35	-	-	7.50 (2.60-9.90)	1.869 (2.990-3.085)	8.21	99
18+18+18	2.87	2.87	2.87	-	-	8.60 (2.60-10.60)	2.299 (0.500-3.475)	10.10	99
18+18+20	3.00	3.00	2.00	-	-	8.00 (2.60-10.40)	2.049 (0.630-3.345)	9.00	99
18+18+22	2.87	2.87	2.87	-	-	8.60 (2.60-10.60)	2.299 (0.500-3.475)	10.10	99
18+18+25	2.78	2.78	3.04	-	-	8.60 (2.60-10.60)	2.299 (0.500-3.475)	10.10	99
18+18+35	2.68	2.68	3.25	-	-	8.60 (2.60-10.60)	2.289 (0.500-3.465)	10.05	99
18+18+42	2.37	2.37	3.87	-	-	8.60 (2.60-10.60)	2.289 (0.950-3.465)	10.05	99
18+18+50	2.06	2.06	4.49	-	-	8.60 (2.60-10.60)	2.279 (2.150-3.455)	10.01	99
18+18+60	1.96	1.96	4.69	-	-	8.60 (2.60-10.60)	2.269 (3.650-3.445)	9.96	99
18+20+20	3.17	2.11	2.11	-	-	7.40 (2.60-10.20)	1.799 (0.760-3.215)	7.90	99
18+20+22	3.00	2.00	3.00	-	-	8.00 (2.60-10.40)	2.049 (0.630-3.345)	9.00	99
18+20+25	2.90	1.93	3.16	-	-	8.00 (2.60-10.40)	2.049 (0.630-3.345)	9.00	99
18+20+35	2.78	1.85	3.37	-	-	8.00 (2.60-10.40)	2.039 (0.630-3.335)	8.95	99
18+20+42	2.42	1.61	3.96	-	-	8.00 (2.60-10.40)	2.039 (1.380-3.335)	8.95	99
18+20+50	2.08	1.39	4.54	-	-	8.00 (2.60-10.40)	2.029 (2.580-3.325)	8.91	99
18+20+60	1.97	1.31	4.72	-	-	8.00 (2.60-10.40)	2.019 (4.080-3.315)	8.87	99
18+22+22	2.87	2.87	2.87	-	-	8.60 (2.60-10.60)	2.299 (0.500-3.475)	10.10	99
18+22+25	2.78	2.78	3.04	-	-	8.60 (2.60-10.60)	2.299 (0.500-3.475)	10.10	99
18+22+35	2.68	2.68	3.25	-	-	8.60 (2.60-10.60)	2.289 (0.500-3.465)	10.05	99
18+22+42	2.37	2.37	3.87	-	-	8.60 (2.60-10.60)	2.289 (1.550-3.465)	10.05	99
18+22+50	2.06	2.06	4.49	-	-	8.60 (2.60-10.60)	2.279 (2.750-3.455)	10.01	99
18+22+60	1.96	1.96	4.69	-	-	8.60 (2.60-10.60)	2.269 (4.250-3.445)	9.96	99
18+25+25	2.70	2.95	2.95	-	-	8.60 (2.60-10.60)	2.299 (0.500-3.475)	10.10	99
18+25+35	2.60	2.84	3.16	-	-	8.60 (2.60-10.60)	2.289 (0.950-3.465)	10.05	99
18+25+42	2.31	2.52	3.78	-	-	8.60 (2.60-10.60)	2.289 (2.000-3.465)	10.05	99
18+25+50	2.01	2.20	4.39	-	-	8.60 (2.60-10.60)	2.279 (3.200-3.455)	10.01	99
18+25+60	1.92	2.09	4.59	-	-	8.60 (2.60-10.60)	2.269 (4.700-3.445)	9.96	99
18+35+35	2.51	3.04	3.04	-	-	8.60 (2.60-10.60)	2.279 (2.450-3.455)	10.01	99
18+35+42	2.23	2.71	3.66	-	-	8.60 (2.60-10.60)	2.279 (3.500-3.455)	10.01	99

# MXZ-3D68VA HEATING

Indoor units combination	Heating capacity (kW)						Outdoor unit power consumption(kW)	Current (A)	Power factor(%)
	Unit A	Unit B	Unit C	Unit D	Unit E	Total			
18+35+50	1.96	2.37	4.27	-	-	8.60 (2.60-10.60)	2.269 (4.700-3.445)	9.96	99
18+35+60	1.87	2.26	4.47	-	-	8.60 (2.60-10.60)	2.259 (3.290-3.435)	9.92	99
18+42+42	2.01	3.29	3.29	-	-	8.60 (2.60-10.60)	2.279 (4.550-3.455)	10.01	99
18+42+50	1.78	2.92	3.89	-	-	8.60 (2.60-10.60)	2.269 (3.930-3.445)	9.96	99
18+42+60	1.71	2.80	4.09	-	-	8.60 (2.60-10.60)	2.259 (1.790-3.435)	9.92	99
18+50+50	1.60	3.50	3.50	-	-	8.60 (2.60-10.60)	2.259 (2.210-3.435)	9.92	99
20+20+20	2.20	2.20	2.20	-	-	6.60 (2.60-10.00)	1.549 (0.890-3.085)	6.80	99
20+20+22	2.11	2.11	3.17	-	-	7.40 (2.60-10.20)	1.799 (0.760-3.215)	7.90	99
20+20+25	2.04	2.04	3.33	-	-	7.40 (2.60-10.20)	1.799 (0.760-3.215)	7.90	99
20+20+35	1.94	1.94	3.52	-	-	7.40 (2.60-10.20)	1.789 (0.760-3.205)	7.86	99
20+20+42	1.66	1.66	4.08	-	-	7.40 (2.60-10.20)	1.789 (1.810-3.205)	7.86	99
20+20+50	1.40	1.40	4.59	-	-	7.40 (2.60-10.20)	1.779 (3.010-3.195)	7.81	99
20+20+60	1.32	1.32	4.75	-	-	7.40 (2.60-10.20)	1.769 (4.510-3.185)	7.77	99
20+22+22	2.00	3.00	3.00	-	-	8.00 (2.60-10.40)	2.049 (0.630-3.345)	9.00	99
20+22+25	1.93	2.90	3.16	-	-	8.00 (2.60-10.40)	2.049 (0.630-3.345)	9.00	99
20+22+35	1.85	2.78	3.37	-	-	8.00 (2.60-10.40)	2.039 (0.930-3.335)	8.95	99
20+22+42	1.61	2.42	3.96	-	-	8.00 (2.60-10.40)	2.039 (1.980-3.335)	8.95	99
20+22+50	1.39	2.08	4.54	-	-	8.00 (2.60-10.40)	2.029 (3.180-3.325)	8.91	99
20+22+60	1.31	1.97	4.72	-	-	8.00 (2.60-10.40)	2.019 (4.680-3.315)	8.87	99
20+25+25	1.87	3.06	3.06	-	-	8.00 (2.60-10.40)	2.049 (0.630-3.345)	9.00	99
20+25+35	1.80	2.94	3.27	-	-	8.00 (2.60-10.40)	2.039 (1.380-3.335)	8.95	99
20+25+42	1.57	2.57	3.86	-	-	8.00 (2.60-10.40)	2.039 (2.430-3.335)	8.95	99
20+25+50	1.35	2.22	4.43	-	-	8.00 (2.60-10.40)	2.029 (3.630-3.325)	8.91	99
20+25+60	1.28	2.10	4.61	-	-	8.00 (2.60-10.40)	2.019 (5.130-3.315)	8.87	99
20+35+35	1.73	3.14	3.14	-	-	8.00 (2.60-10.40)	2.029 (2.880-3.325)	8.91	99
20+35+42	1.52	2.76	3.72	-	-	8.00 (2.60-10.40)	2.029 (3.930-3.325)	8.91	99
20+35+50	1.31	2.39	4.30	-	-	8.00 (2.60-10.40)	2.019 (5.130-3.315)	8.87	99
20+35+60	1.25	2.27	4.48	-	-	8.00 (2.60-10.40)	2.009 (2.990-3.305)	8.82	99
20+42+42	1.35	3.32	3.32	-	-	8.00 (2.60-10.40)	2.029 (4.980-3.325)	8.91	99
20+42+50	1.19	2.92	3.89	-	-	8.00 (2.60-10.40)	2.019 (3.630-3.315)	8.87	99
20+50+50	1.06	3.47	3.47	-	-	8.00 (2.60-10.40)	2.009 (1.920-3.305)	8.82	99
22+22+22	2.87	2.87	2.87	-	-	8.60 (2.60-10.60)	2.299 (0.500-3.475)	10.10	99
22+22+25	2.78	2.78	3.04	-	-	8.60 (2.60-10.60)	2.299 (0.500-3.475)	10.10	99
22+22+35	2.68	2.68	3.25	-	-	8.60 (2.60-10.60)	2.289 (1.100-3.465)	10.05	99
22+22+42	2.37	2.37	3.87	-	-	8.60 (2.60-10.60)	2.289 (2.150-3.465)	10.05	99
22+22+50	2.06	2.06	4.49	-	-	8.60 (2.60-10.60)	2.279 (3.350-3.455)	10.01	99
22+22+60	1.96	1.96	4.69	-	-	8.60 (2.60-10.60)	2.269 (4.850-3.445)	9.96	99
22+25+25	2.70	2.95	2.95	-	-	8.60 (2.60-10.60)	2.299 (0.500-3.475)	10.10	99
22+25+35	2.60	2.84	3.16	-	-	8.60 (2.60-10.60)	2.289 (1.550-3.465)	10.05	99
22+25+42	2.31	2.52	3.78	-	-	8.60 (2.60-10.60)	2.289 (2.600-3.465)	10.05	99
22+25+50	2.01	2.20	4.39	-	-	8.60 (2.60-10.60)	2.279 (3.800-3.455)	10.01	99

## MXZ-3D68VA HEATING

Indoor units combination	Heating capacity (kW)						Outdoor unit power consumption(kW)	Current (A)	Power factor(%)
	Unit A	Unit B	Unit C	Unit D	Unit E	Total			
22+25+60	1.92	2.09	4.59	-	-	8.60 (2.60-10.60)	2.269 (4.570-3.445)	9.96	99
22+35+35	2.51	3.04	3.04	-	-	8.60 (2.60-10.60)	2.279 (3.050-3.455)	10.01	99
22+35+42	2.23	2.71	3.66	-	-	8.60 (2.60-10.60)	2.279 (4.100-3.455)	10.01	99
22+35+50	1.96	2.37	4.27	-	-	8.60 (2.60-10.60)	2.269 (4.570-3.445)	9.96	99
22+35+60	1.87	2.26	4.47	-	-	8.60 (2.60-10.60)	2.259 (2.430-3.435)	9.92	99
22+42+42	2.01	3.29	3.29	-	-	8.60 (2.60-10.60)	2.279 (4.790-3.455)	10.01	99
22+42+50	1.78	2.92	3.89	-	-	8.60 (2.60-10.60)	2.269 (3.070-3.445)	9.96	99
25+25+25	2.87	2.87	2.87	-	-	8.60 (2.60-10.60)	2.299 (0.500-3.475)	10.10	99
25+25+35	2.76	2.76	3.07	-	-	8.60 (2.60-10.60)	2.289 (2.000-3.465)	10.05	99
25+25+42	2.46	2.46	3.69	-	-	8.60 (2.60-10.60)	2.289 (3.050-3.465)	10.05	99
25+25+50	2.15	2.15	4.30	-	-	8.60 (2.60-10.60)	2.279 (4.250-3.455)	10.01	99
25+25+60	2.05	2.05	4.50	-	-	8.60 (2.60-10.60)	2.269 (3.930-3.445)	9.96	99
25+35+35	2.67	2.97	2.97	-	-	8.60 (2.60-10.60)	2.279 (3.500-3.455)	10.01	99
25+35+42	2.38	2.65	3.57	-	-	8.60 (2.60-10.60)	2.279 (4.550-3.455)	10.01	99
25+35+50	2.09	2.32	4.18	-	-	8.60 (2.60-10.60)	2.269 (3.930-3.445)	9.96	99
25+35+60	2.00	2.22	4.38	-	-	8.60 (2.60-10.60)	2.259 (1.790-3.435)	9.92	99
25+42+42	2.15	3.23	3.23	-	-	8.60 (2.60-10.60)	2.279 (4.140-3.455)	10.01	99
25+42+50	1.91	2.87	3.82	-	-	8.60 (2.60-10.60)	2.269 (2.430-3.445)	9.96	99
35+35+35	2.87	2.87	2.87	-	-	8.60 (2.60-10.60)	2.269 (5.000-3.445)	9.96	99
35+35+42	2.57	2.57	3.47	-	-	8.60 (2.60-10.60)	2.269 (3.500-3.445)	9.96	99
35+35+50	2.26	2.26	4.07	-	-	8.60 (2.60-10.60)	2.259 (1.790-3.435)	9.92	99
35+42+42	2.32	3.14	3.14	-	-	8.60 (2.60-10.60)	2.269 (2.000-3.445)	9.96	99

# MXZ-4D72VA COOLING

Indoor units combination	Cooling capacity (kW)						Outdoor unit power consumption(kW)	Current (A)	Power factor(%)
	Unit A	Unit B	Unit C	Unit D	Unit E	Total			
15	1.50	-	-	-	-	1.50 (1.40-3.00)	0.490 (0.450-1.020)	2.15	99
18	1.80	-	-	-	-	1.80 (1.40-3.00)	0.420 (0.420-0.740)	1.84	99
20	2.00	-	-	-	-	2.00 (1.40-3.00)	0.540 (0.450-1.020)	2.37	99
22	2.20	-	-	-	-	2.20 (1.40-3.00)	0.510 (0.420-0.740)	2.24	99
25	2.50	-	-	-	-	2.50 (1.40-3.30)	0.580 (0.420-0.830)	2.55	99
35	3.50	-	-	-	-	3.50 (1.50-4.30)	0.820 (0.430-1.180)	3.60	99
42	4.20	-	-	-	-	4.20 (1.60-5.00)	1.080 (0.450-1.420)	4.74	99
50	5.00	-	-	-	-	5.00 (1.60-5.60)	1.430 (0.480-1.660)	6.28	99
60	6.00	-	-	-	-	6.00 (1.60-6.60)	1.700 (0.480-2.250)	7.47	99
15+15	1.50	1.50	-	-	-	3.00 (2.00-5.40)	0.790 (0.540-1.800)	3.47	99
15+18	1.50	1.80	-	-	-	3.30 (2.00-5.40)	0.841 (0.620-1.890)	3.69	99
15+20	1.50	2.00	-	-	-	3.50 (2.00-5.40)	0.885 (0.700-2.005)	3.89	99
15+22	1.50	2.20	-	-	-	3.70 (2.00-5.40)	0.929 (0.660-1.850)	4.08	99
15+25	1.50	2.50	-	-	-	4.00 (2.00-5.40)	1.130 (0.780-1.970)	4.96	99
15+35	1.50	3.50	-	-	-	5.00 (2.00-6.00)	1.470 (0.620-2.150)	6.46	99
15+42	1.50	4.20	-	-	-	5.70 (2.00-6.40)	1.691 (0.620-2.500)	7.43	99
15+50	1.50	5.00	-	-	-	6.50 (2.00-6.90)	2.064 (0.630-2.860)	9.06	99
15+60	1.36	5.44	-	-	-	6.80 (2.00-7.10)	2.232 (0.640-2.980)	9.80	99
18+18	1.80	1.80	-	-	-	3.60 (2.00-5.40)	0.832 (0.540-1.640)	3.65	99
18+20	1.80	2.00	-	-	-	3.80 (2.00-5.40)	0.996 (0.700-1.890)	4.37	99
18+22	1.80	2.20	-	-	-	4.00 (2.00-5.40)	1.100 (0.700-1.800)	4.83	99
18+25	1.80	2.50	-	-	-	4.30 (2.00-5.40)	1.177 (0.580-1.680)	5.17	99
18+35	1.80	3.50	-	-	-	5.30 (2.00-6.20)	1.535 (0.540-2.130)	6.74	99
18+42	1.80	4.20	-	-	-	6.00 (2.00-6.60)	1.755 (0.540-2.480)	7.71	99
18+50	1.80	5.00	-	-	-	6.80 (2.00-7.10)	2.202 (0.550-2.820)	9.67	99
18+60	1.57	5.23	-	-	-	6.80 (2.00-7.10)	2.202 (0.560-2.810)	9.67	99
20+20	2.00	2.00	-	-	-	4.00 (2.00-5.40)	1.100 (0.700-1.800)	4.83	99
20+22	2.00	2.20	-	-	-	4.20 (2.00-5.40)	1.181 (0.700-1.890)	5.19	99
20+25	2.00	2.50	-	-	-	4.50 (2.00-5.50)	1.272 (0.620-1.865)	5.59	99
20+35	2.00	3.50	-	-	-	5.50 (2.00-6.30)	1.628 (0.620-2.400)	7.15	99
20+42	2.00	4.20	-	-	-	6.20 (2.00-6.70)	1.897 (0.620-2.740)	8.33	99
20+50	1.94	4.86	-	-	-	6.80 (2.00-7.10)	2.232 (0.630-2.990)	9.80	99
20+60	1.70	5.10	-	-	-	6.80 (2.00-7.10)	2.232 (0.640-2.980)	9.80	99
22+22	2.20	2.20	-	-	-	4.40 (2.00-5.40)	1.202 (0.540-1.640)	5.28	99
22+25	2.20	2.50	-	-	-	4.70 (2.00-5.70)	1.321 (0.540-1.810)	5.80	99
22+35	2.20	3.50	-	-	-	5.70 (2.00-6.40)	1.661 (0.540-2.330)	7.29	99
22+42	2.20	4.20	-	-	-	6.40 (2.00-6.90)	1.979 (0.540-2.655)	8.69	99
22+60	1.82	4.98	-	-	-	6.80 (2.00-7.10)	2.202 (0.560-2.810)	9.67	99
25+25	2.50	2.50	-	-	-	5.00 (2.00-6.00)	1.440 (0.540-1.980)	6.32	99
25+35	2.50	3.50	-	-	-	6.00 (2.00-6.60)	1.755 (0.540-2.480)	7.71	99
25+42	2.50	4.20	-	-	-	6.70 (2.00-7.00)	2.146 (0.540-2.785)	9.42	99

# MXZ-4D72VA COOLING

Indoor units combination	Cooling capacity (kW)						Outdoor unit power consumption(kW)	Current (A)	Power factor(%)
	Unit A	Unit B	Unit C	Unit D	Unit E	Total			
25+50	2.27	4.53	-	-	-	6.80 (2.00-7.10)	2.202 (0.550-2.820)	9.67	99
25+60	2.00	4.80	-	-	-	6.80 (2.00-7.10)	2.194 (0.560-2.810)	9.64	99
35+35	3.40	3.40	-	-	-	6.80 (2.00-7.10)	2.202 (0.540-2.830)	9.67	99
35+42	3.09	3.71	-	-	-	6.80 (2.00-7.10)	2.202 (0.540-2.830)	9.67	99
35+50	2.80	4.00	-	-	-	6.80 (2.00-7.10)	2.194 (0.550-2.820)	9.64	99
35+60	2.51	4.29	-	-	-	6.80 (2.10-7.10)	2.119 (0.570-2.830)	9.31	99
42+42	3.40	3.40	-	-	-	6.80 (2.00-7.10)	2.202 (0.540-2.830)	9.67	99
42+50	3.10	3.70	-	-	-	6.80 (2.10-7.10)	2.142 (0.560-2.835)	9.41	99
42+60	2.80	4.00	-	-	-	6.80 (2.10-7.10)	2.064 (0.580-2.845)	9.06	99
50+50	3.40	3.40	-	-	-	6.80 (2.10-7.10)	2.081 (0.560-2.860)	9.14	99
50+60	3.09	3.71	-	-	-	6.80 (2.10-7.10)	1.997 (0.600-2.860)	8.77	99
60+60	3.40	3.40	-	-	-	6.80 (2.10-7.10)	1.912 (0.580-2.920)	8.40	99
15+15+15	1.50	1.50	1.50	-	-	4.50 (2.90-7.30)	0.970 (0.780-2.310)	4.26	99
15+15+18	1.50	1.50	1.80	-	-	4.80 (2.90-7.60)	1.176 (0.800-2.210)	5.16	99
15+15+20	1.50	1.50	2.00	-	-	5.00 (2.90-7.70)	1.300 (0.810-2.130)	5.71	99
15+15+22	1.50	1.50	2.20	-	-	5.20 (2.90-7.90)	1.344 (0.750-1.970)	5.90	99
15+15+25	1.50	1.50	2.50	-	-	5.50 (2.90-8.10)	1.475 (0.750-2.205)	6.48	99
15+15+35	1.50	1.50	3.50	-	-	6.50 (2.90-8.10)	1.635 (0.750-3.140)	7.18	99
15+15+50	1.35	1.35	4.50	-	-	7.20 (2.90-8.50)	1.907 (0.730-2.555)	8.38	99
15+15+60	1.20	1.20	4.80	-	-	7.20 (2.90-8.50)	1.810 (0.730-2.535)	7.95	99
15+18+18	1.50	1.80	1.80	-	-	5.10 (2.90-7.80)	1.262 (0.740-1.990)	5.54	99
15+18+20	1.50	1.80	2.00	-	-	5.30 (2.90-8.00)	1.386 (0.740-1.910)	6.09	99
15+18+22	1.50	1.80	2.20	-	-	5.50 (2.90-8.10)	1.435 (0.720-2.165)	6.30	99
15+18+25	1.50	1.80	2.50	-	-	5.80 (2.90-8.10)	1.576 (0.770-3.230)	6.92	99
15+18+35	1.50	1.80	3.50	-	-	6.80 (2.90-8.20)	1.697 (0.700-2.790)	7.45	99
15+18+42	1.44	1.73	4.03	-	-	7.20 (2.90-8.50)	1.910 (0.700-2.530)	8.39	99
15+18+50	1.30	1.56	4.34	-	-	7.20 (2.90-8.50)	1.847 (0.700-2.510)	8.11	99
15+18+60	1.16	1.39	4.65	-	-	7.20 (2.90-8.50)	1.750 (0.700-2.490)	7.69	99
15+20+20	1.50	2.00	2.00	-	-	5.50 (2.90-8.10)	1.515 (0.780-2.245)	6.65	99
15+20+22	1.50	2.00	2.20	-	-	5.70 (2.90-8.10)	1.569 (0.780-2.915)	6.89	99
15+20+25	1.50	2.00	2.50	-	-	6.00 (2.90-8.10)	1.710 (0.830-3.980)	7.51	99
15+20+35	1.50	2.00	3.50	-	-	7.00 (2.90-8.30)	1.853 (0.740-2.690)	8.14	99
15+20+42	1.40	1.87	3.93	-	-	7.20 (2.90-8.50)	1.937 (0.730-2.570)	8.51	99
15+20+50	1.27	1.69	4.24	-	-	7.20 (2.90-8.50)	1.873 (0.730-2.550)	8.23	99
15+20+60	1.14	1.52	4.55	-	-	7.20 (2.90-8.50)	1.777 (0.730-2.530)	7.80	99
15+22+22	1.50	2.20	2.20	-	-	5.90 (2.90-8.10)	1.623 (0.780-3.585)	7.13	99
15+22+25	1.50	2.20	2.50	-	-	6.20 (2.90-8.10)	1.640 (0.770-3.605)	7.20	99
15+22+42	1.37	2.01	3.83	-	-	7.20 (2.90-8.50)	1.883 (0.700-2.525)	8.27	99
15+22+50	1.24	1.82	4.14	-	-	7.20 (2.90-8.50)	1.820 (0.700-2.510)	7.99	99
15+22+60	1.11	1.63	4.45	-	-	7.20 (2.90-8.50)	1.723 (0.700-2.490)	7.57	99
15+25+25	1.50	2.50	2.50	-	-	6.50 (2.90-8.10)	1.595 (0.720-3.100)	7.00	99



# MXZ-4D72VA COOLING

Indoor units combination	Cooling capacity (kW)						Outdoor unit power consumption(kW)	Current (A)	Power factor(%)
	Unit A	Unit B	Unit C	Unit D	Unit E	Total			
15+25+35	1.44	2.40	3.36	-	-	7.20 (2.90-8.50)	1.930 (0.700-2.540)	8.48	99
15+25+42	1.32	2.20	3.69	-	-	7.20 (2.90-8.50)	1.863 (0.700-2.525)	8.18	99
15+25+50	1.20	2.00	4.00	-	-	7.20 (2.90-8.50)	1.800 (0.700-2.505)	7.91	99
15+25+60	1.08	1.80	4.32	-	-	7.20 (2.90-8.50)	1.703 (0.700-2.485)	7.48	99
15+35+35	1.27	2.96	2.96	-	-	7.20 (2.90-8.50)	1.863 (0.700-2.530)	8.18	99
15+35+42	1.17	2.74	3.29	-	-	7.20 (2.90-8.50)	1.797 (0.700-2.515)	7.89	99
15+35+50	1.08	2.52	3.60	-	-	7.20 (2.90-8.50)	1.733 (0.700-2.495)	7.61	99
15+35+60	0.98	2.29	3.93	-	-	7.20 (2.90-8.50)	1.670 (0.700-2.480)	7.33	99
15+42+42	1.09	3.05	3.05	-	-	7.20 (2.90-8.50)	1.730 (0.700-2.495)	7.60	99
15+42+50	1.01	2.83	3.36	-	-	7.20 (2.90-8.50)	1.680 (0.700-2.480)	7.38	99
15+42+60	0.92	2.58	3.69	-	-	7.20 (2.90-8.50)	1.650 (0.700-2.470)	7.25	99
15+50+50	0.94	3.13	3.13	-	-	7.20 (2.90-8.50)	1.670 (0.700-2.470)	7.33	99
15+50+60	0.86	2.88	3.46	-	-	7.20 (2.90-8.50)	1.640 (0.700-2.460)	7.20	99
18+18+18	1.80	1.80	1.80	-	-	5.40 (2.90-8.10)	1.348 (0.670-1.770)	5.92	99
18+18+20	1.80	1.80	2.00	-	-	5.60 (2.90-8.10)	1.482 (0.730-2.520)	6.51	99
18+18+22	1.80	1.80	2.20	-	-	5.80 (2.90-8.10)	1.536 (0.740-3.190)	6.75	99
18+18+25	1.80	1.80	2.50	-	-	6.10 (2.90-8.10)	1.615 (0.750-3.730)	7.09	99
18+18+35	1.80	1.80	3.50	-	-	7.10 (2.90-8.40)	1.832 (0.680-2.540)	8.05	99
18+18+42	1.66	1.66	3.88	-	-	7.20 (2.90-8.50)	1.850 (0.670-2.485)	8.12	99
18+18+50	1.51	1.51	4.19	-	-	7.20 (2.90-8.50)	1.787 (0.670-2.470)	7.85	99
18+18+60	1.35	1.35	4.50	-	-	7.20 (2.90-8.50)	1.690 (0.670-2.450)	7.42	99
18+20+20	1.80	2.00	2.00	-	-	5.80 (2.90-8.10)	1.616 (0.800-3.270)	7.10	99
18+20+22	1.80	2.00	2.20	-	-	6.00 (2.90-8.10)	1.670 (0.800-3.940)	7.33	99
18+20+25	1.80	2.00	2.50	-	-	6.30 (2.90-8.10)	1.625 (0.750-3.435)	7.14	99
18+20+35	1.78	1.97	3.45	-	-	7.20 (2.90-8.40)	1.930 (0.710-2.520)	8.48	99
18+20+42	1.62	1.80	3.78	-	-	7.20 (2.90-8.50)	1.877 (0.700-2.525)	8.24	99
18+20+50	1.47	1.64	4.09	-	-	7.20 (2.90-8.50)	1.813 (0.700-2.505)	7.96	99
18+20+60	1.32	1.47	4.41	-	-	7.20 (2.90-8.50)	1.717 (0.700-2.485)	7.54	99
18+22+22	1.80	2.20	2.20	-	-	6.20 (2.90-8.10)	1.600 (0.740-3.565)	7.03	99
18+22+25	1.80	2.20	2.50	-	-	6.50 (2.90-8.10)	1.555 (0.690-3.060)	6.83	99
18+22+35	1.73	2.11	3.36	-	-	7.20 (2.90-8.50)	1.890 (0.670-2.500)	8.30	99
18+22+42	1.58	1.93	3.69	-	-	7.20 (2.90-8.50)	1.823 (0.670-2.485)	8.01	99
18+22+50	1.44	1.76	4.00	-	-	7.20 (2.90-8.50)	1.760 (0.670-2.465)	7.73	99
18+22+60	1.30	1.58	4.32	-	-	7.20 (2.90-8.50)	1.663 (0.670-2.445)	7.30	99
18+25+25	1.80	2.50	2.50	-	-	6.80 (2.90-8.20)	1.657 (0.670-2.750)	7.28	99
18+25+35	1.66	2.31	3.23	-	-	7.20 (2.90-8.50)	1.870 (0.670-2.495)	8.21	99
18+25+42	1.52	2.12	3.56	-	-	7.20 (2.90-8.50)	1.803 (0.670-2.480)	7.92	99
18+25+50	1.39	1.94	3.87	-	-	7.20 (2.90-8.50)	1.740 (0.670-2.460)	7.64	99
18+25+60	1.26	1.75	4.19	-	-	7.20 (2.90-8.50)	1.643 (0.670-2.440)	7.22	99
18+35+35	1.47	2.86	2.86	-	-	7.20 (2.90-8.50)	1.803 (0.670-2.485)	7.92	99
18+35+42	1.36	2.65	3.18	-	-	7.20 (2.90-8.50)	1.737 (0.670-2.470)	7.63	99

# MXZ-4D72VA COOLING

Indoor units combination	Cooling capacity (kW)						Outdoor unit power consumption(kW)	Current (A)	Power factor(%)
	Unit A	Unit B	Unit C	Unit D	Unit E	Total			
18+35+50	1.26	2.45	3.50	-	-	7.20 (2.90-8.50)	1.673 (0.670-2.450)	7.35	99
18+35+60	1.15	2.23	3.82	-	-	7.20 (2.90-8.50)	1.630 (0.670-2.440)	7.16	99
18+42+42	1.27	2.96	2.96	-	-	7.20 (2.90-8.50)	1.670 (0.670-2.455)	7.33	99
18+42+50	1.18	2.75	3.27	-	-	7.20 (2.90-8.50)	1.640 (0.670-2.440)	7.20	99
18+42+60	1.08	2.52	3.60	-	-	7.20 (2.90-8.50)	1.610 (0.670-2.430)	7.07	99
18+50+50	1.10	3.05	3.05	-	-	7.20 (2.90-8.50)	1.630 (0.670-2.430)	7.16	99
20+20+20	2.00	2.00	2.00	-	-	6.00 (2.90-8.10)	1.630 (0.770-3.900)	7.16	99
20+20+22	2.00	2.00	2.20	-	-	6.20 (2.90-8.10)	1.680 (0.800-3.645)	7.38	99
20+20+25	2.00	2.00	2.50	-	-	6.50 (2.90-8.10)	1.635 (0.750-3.140)	7.18	99
20+20+35	1.92	1.92	3.36	-	-	7.20 (2.90-8.50)	1.970 (0.730-2.580)	8.65	99
20+20+42	1.76	1.76	3.69	-	-	7.20 (2.90-8.50)	1.903 (0.730-2.565)	8.36	99
20+20+50	1.60	1.60	4.00	-	-	7.20 (2.90-8.50)	1.840 (0.730-2.545)	8.08	99
20+20+60	1.44	1.44	4.32	-	-	7.20 (2.90-8.50)	1.743 (0.730-2.525)	7.65	99
20+22+22	2.00	2.20	2.20	-	-	6.40 (2.90-8.10)	1.610 (0.730-3.265)	7.07	99
20+22+25	2.00	2.20	2.50	-	-	6.70 (2.90-8.20)	1.638 (0.700-2.860)	7.19	99
20+22+35	1.87	2.06	3.27	-	-	7.20 (2.90-8.50)	1.917 (0.700-2.540)	8.42	99
20+22+42	1.71	1.89	3.60	-	-	7.20 (2.90-8.50)	1.850 (0.700-2.520)	8.12	99
20+22+50	1.57	1.72	3.91	-	-	7.20 (2.90-8.50)	1.787 (0.700-2.505)	7.85	99
20+22+60	1.41	1.55	4.24	-	-	7.20 (2.90-8.50)	1.690 (0.700-2.485)	7.42	99
20+25+25	2.00	2.50	2.50	-	-	7.00 (2.90-8.30)	1.813 (0.710-2.650)	7.96	99
20+25+35	1.80	2.25	3.15	-	-	7.20 (2.90-8.50)	1.897 (0.700-2.535)	8.33	99
20+25+42	1.66	2.07	3.48	-	-	7.20 (2.90-8.50)	1.830 (0.700-2.520)	8.04	99
20+25+50	1.52	1.89	3.79	-	-	7.20 (2.90-8.50)	1.767 (0.700-2.500)	7.76	99
20+25+60	1.37	1.71	4.11	-	-	7.20 (2.90-8.50)	1.670 (0.700-2.480)	7.33	99
20+35+35	1.60	2.80	2.80	-	-	7.20 (2.90-8.50)	1.830 (0.700-2.525)	8.04	99
20+35+42	1.48	2.60	3.12	-	-	7.20 (2.90-8.50)	1.763 (0.700-2.510)	7.74	99
20+35+50	1.37	2.40	3.43	-	-	7.20 (2.90-8.50)	1.700 (0.700-2.490)	7.47	99
20+35+60	1.25	2.19	3.76	-	-	7.20 (2.90-8.50)	1.670 (0.700-2.480)	7.33	99
20+42+42	1.38	2.91	2.91	-	-	7.20 (2.90-8.50)	1.697 (0.700-2.490)	7.45	99
20+42+50	1.29	2.70	3.21	-	-	7.20 (2.90-8.50)	1.680 (0.700-2.480)	7.38	99
20+42+60	1.18	2.48	3.54	-	-	7.20 (2.90-8.50)	1.650 (0.700-2.470)	7.25	99
20+50+50	1.20	3.00	3.00	-	-	7.20 (2.90-8.50)	1.670 (0.700-2.470)	7.33	99
22+22+22	2.20	2.20	2.20	-	-	6.60 (2.90-8.10)	1.540 (0.670-2.890)	6.76	99
22+22+25	2.20	2.20	2.50	-	-	6.90 (2.90-8.30)	1.715 (0.680-2.680)	7.53	99
22+22+35	2.01	2.01	3.19	-	-	7.20 (2.90-8.50)	1.863 (0.670-2.495)	8.18	99
22+22+42	1.84	1.84	3.52	-	-	7.20 (2.90-8.50)	1.797 (0.670-2.480)	7.89	99
22+22+50	1.69	1.69	3.83	-	-	7.20 (2.90-8.50)	1.733 (0.670-2.460)	7.61	99
22+22+60	1.52	1.52	4.15	-	-	7.20 (2.90-8.50)	1.637 (0.670-2.440)	7.19	99
22+25+35	1.93	2.20	3.07	-	-	7.20 (2.90-8.50)	1.843 (0.670-2.495)	8.09	99
22+25+42	1.78	2.02	3.40	-	-	7.20 (2.90-8.50)	1.777 (0.670-2.475)	7.80	99
22+25+50	1.63	1.86	3.71	-	-	7.20 (2.90-8.50)	1.713 (0.670-2.460)	7.52	99

# MXZ-4D72VA COOLING

Indoor units combination	Cooling capacity (kW)						Outdoor unit power consumption(kW)	Current (A)	Power factor(%)
	Unit A	Unit B	Unit C	Unit D	Unit E	Total			
22+25+60	1.48	1.68	4.04	-	-	7.20 (2.90-8.50)	1.630 (0.670-2.440)	7.16	99
22+35+35	1.72	2.74	2.74	-	-	7.20 (2.90-8.50)	1.777 (0.670-2.485)	7.80	99
22+35+42	1.60	2.55	3.05	-	-	7.20 (2.90-8.50)	1.710 (0.670-2.465)	7.51	99
22+35+50	1.48	2.36	3.36	-	-	7.20 (2.90-8.50)	1.660 (0.670-2.450)	7.29	99
22+35+60	1.35	2.15	3.69	-	-	7.20 (2.90-8.50)	1.630 (0.670-2.440)	7.16	99
22+42+42	1.49	2.85	2.85	-	-	7.20 (2.90-8.50)	1.650 (0.670-2.450)	7.25	99
22+42+50	1.39	2.65	3.16	-	-	7.20 (2.90-8.50)	1.640 (0.670-2.440)	7.20	99
22+42+60	1.28	2.44	3.48	-	-	7.20 (2.90-8.50)	1.610 (0.670-2.430)	7.07	99
22+50+50	1.30	2.95	2.95	-	-	7.20 (2.90-8.50)	1.630 (0.670-2.430)	7.16	99
25+25+25	2.40	2.40	2.40	-	-	7.20 (2.90-8.50)	1.890 (0.670-2.500)	8.30	99
25+25+35	2.12	2.12	2.96	-	-	7.20 (2.90-8.50)	1.823 (0.670-2.490)	8.01	99
25+25+42	1.96	1.96	3.29	-	-	7.20 (2.90-8.50)	1.757 (0.670-2.475)	7.72	99
25+25+50	1.80	1.80	3.60	-	-	7.20 (2.90-8.50)	1.693 (0.670-2.455)	7.44	99
25+25+60	1.64	1.64	3.93	-	-	7.20 (2.90-8.50)	1.630 (0.670-2.440)	7.16	99
25+35+35	1.89	2.65	2.65	-	-	7.20 (2.90-8.50)	1.757 (0.670-2.480)	7.72	99
25+35+42	1.76	2.47	2.96	-	-	7.20 (2.90-8.50)	1.690 (0.670-2.465)	7.42	99
25+35+50	1.64	2.29	3.27	-	-	7.20 (2.90-8.50)	1.660 (0.670-2.450)	7.29	99
25+35+60	1.50	2.10	3.60	-	-	7.20 (2.90-8.50)	1.630 (0.670-2.440)	7.16	99
25+42+42	1.65	2.77	2.77	-	-	7.20 (2.90-8.50)	1.650 (0.670-2.450)	7.25	99
25+42+50	1.54	2.58	3.08	-	-	7.20 (2.90-8.50)	1.640 (0.670-2.440)	7.20	99
25+50+50	1.44	2.88	2.88	-	-	7.20 (2.90-8.50)	1.630 (0.670-2.430)	7.16	99
35+35+35	2.40	2.40	2.40	-	-	7.20 (2.90-8.50)	1.690 (0.670-2.470)	7.42	99
35+35+42	2.25	2.25	2.70	-	-	7.20 (2.90-8.50)	1.670 (0.670-2.460)	7.33	99
35+35+50	2.10	2.10	3.00	-	-	7.20 (2.90-8.50)	1.660 (0.670-2.450)	7.29	99
35+42+42	2.12	2.54	2.54	-	-	7.20 (2.90-8.50)	1.650 (0.670-2.450)	7.25	99
15+15+15+15	1.50	1.50	1.50	1.50	-	6.00 (3.70-8.00)	1.788 (0.800-3.190)	7.85	99
15+15+15+18	1.50	1.50	1.50	1.80	-	6.30 (3.70-8.20)	2.010 (0.890-3.340)	8.83	99
15+15+15+20	1.50	1.50	1.50	2.00	-	6.50 (3.70-8.00)	2.117 (0.920-3.390)	9.30	99
15+15+15+22	1.50	1.50	1.50	2.20	-	6.70 (3.70-8.20)	2.145 (0.890-3.340)	9.42	99
15+15+15+25	1.50	1.50	1.50	2.50	-	7.00 (3.70-8.20)	2.246 (0.890-3.340)	9.86	99
15+15+15+35	1.35	1.35	1.35	3.15	-	7.20 (3.70-8.20)	2.314 (0.890-3.340)	10.16	99
15+15+15+42	1.24	1.24	1.24	3.48	-	7.20 (3.70-8.20)	2.294 (0.890-3.330)	10.07	99
15+15+15+50	1.14	1.14	1.14	3.79	-	7.20 (3.70-8.20)	2.284 (0.890-3.320)	10.03	99
15+15+15+60	1.03	1.03	1.03	4.11	-	7.20 (3.70-8.20)	2.254 (0.890-3.310)	9.90	99
15+15+18+18	1.50	1.50	1.80	1.80	-	6.60 (3.70-8.40)	2.071 (0.860-3.290)	9.10	99
15+15+18+20	1.50	1.50	1.80	2.00	-	6.80 (3.70-8.20)	2.179 (0.890-3.340)	9.57	99
15+15+18+22	1.50	1.50	1.80	2.20	-	7.00 (3.70-8.40)	2.206 (0.860-3.290)	9.69	99
15+15+18+25	1.48	1.48	1.78	2.47	-	7.20 (3.70-8.40)	2.274 (0.860-3.290)	9.99	99
15+15+18+35	1.30	1.30	1.56	3.04	-	7.20 (3.70-8.40)	2.274 (0.860-3.290)	9.99	99
15+15+18+42	1.20	1.20	1.44	3.36	-	7.20 (3.70-8.40)	2.254 (0.860-3.280)	9.90	99
15+15+18+50	1.10	1.10	1.32	3.67	-	7.20 (3.70-8.40)	2.244 (0.860-3.270)	9.86	99

# MXZ-4D72VA COOLING

Indoor units combination	Cooling capacity (kW)						Outdoor unit power consumption(kW)	Current (A)	Power factor(%)
	Unit A	Unit B	Unit C	Unit D	Unit E	Total			
15+15+18+60	1.00	1.00	1.20	4.00	-	7.20 (3.70-8.40)	2.214 (0.860-3.260)	9.72	99
15+15+20+20	1.50	1.50	2.00	2.00	-	7.00 (3.70-8.00)	2.286 (0.920-3.390)	10.04	99
15+15+20+25	1.44	1.44	1.92	2.40	-	7.20 (3.70-8.20)	2.314 (0.890-3.340)	10.16	99
15+15+20+35	1.27	1.27	1.69	2.96	-	7.20 (3.70-8.20)	2.314 (0.890-3.340)	10.16	99
15+15+20+42	1.17	1.17	1.57	3.29	-	7.20 (3.70-8.20)	2.294 (0.890-3.330)	10.07	99
15+15+20+50	1.08	1.08	1.44	3.60	-	7.20 (3.70-8.20)	2.284 (0.890-3.320)	10.03	99
15+15+20+60	0.98	0.98	1.31	3.93	-	7.20 (3.70-8.20)	2.254 (0.890-3.310)	9.90	99
15+15+22+22	1.46	1.46	2.14	2.14	-	7.20 (3.70-8.40)	2.274 (0.860-3.290)	9.99	99
15+15+22+25	1.40	1.40	2.06	2.34	-	7.20 (3.70-8.40)	2.274 (0.860-3.290)	9.99	99
15+15+22+35	1.24	1.24	1.82	2.90	-	7.20 (3.70-8.40)	2.274 (0.860-3.290)	9.99	99
15+15+22+42	1.15	1.15	1.69	3.22	-	7.20 (3.70-8.40)	2.254 (0.860-3.280)	9.90	99
15+15+22+50	1.06	1.06	1.55	3.53	-	7.20 (3.70-8.40)	2.244 (0.860-3.270)	9.86	99
15+15+22+60	0.96	0.96	1.41	3.86	-	7.20 (3.70-8.40)	2.214 (0.860-3.260)	9.72	99
15+15+25+25	1.35	1.35	2.25	2.25	-	7.20 (3.70-8.40)	2.274 (0.860-3.290)	9.99	99
15+15+25+35	1.20	1.20	2.00	2.80	-	7.20 (3.70-8.40)	2.274 (0.860-3.290)	9.99	99
15+15+25+42	1.11	1.11	1.86	3.12	-	7.20 (3.70-8.40)	2.254 (0.860-3.280)	9.90	99
15+15+25+50	1.03	1.03	1.71	3.43	-	7.20 (3.70-8.40)	2.244 (0.860-3.270)	9.86	99
15+15+25+60	0.94	0.94	1.57	3.76	-	7.20 (3.70-8.40)	2.214 (0.860-3.260)	9.72	99
15+15+35+35	1.08	1.08	2.52	2.52	-	7.20 (3.70-8.40)	2.274 (0.860-3.290)	9.99	99
15+15+35+42	1.01	1.01	2.36	2.83	-	7.20 (3.70-8.40)	2.254 (0.860-3.280)	9.90	99
15+15+35+50	0.94	0.94	2.19	3.13	-	7.20 (3.70-8.40)	2.244 (0.860-3.270)	9.86	99
15+15+35+60	0.86	0.86	2.02	3.46	-	7.20 (3.70-8.40)	2.214 (0.860-3.260)	9.72	99
15+15+42+42	0.95	0.95	2.65	2.65	-	7.20 (3.70-8.40)	2.234 (0.860-3.270)	9.81	99
15+15+42+50	0.89	0.89	2.48	2.95	-	7.20 (3.70-8.40)	2.224 (0.860-3.260)	9.77	99
15+18+18+18	1.50	1.80	1.80	1.80	-	6.90 (3.70-8.60)	2.133 (0.830-3.240)	9.37	99
15+18+18+20	1.50	1.80	1.80	2.00	-	7.10 (3.70-8.40)	2.240 (0.860-3.290)	9.84	99
15+18+18+22	1.48	1.78	1.78	2.17	-	7.20 (3.70-8.60)	2.234 (0.830-3.240)	9.81	99
15+18+18+25	1.42	1.71	1.71	2.37	-	7.20 (3.70-8.60)	2.234 (0.830-3.240)	9.81	99
15+18+18+35	1.26	1.51	1.51	2.93	-	7.20 (3.70-8.60)	2.234 (0.830-3.240)	9.81	99
15+18+18+42	1.16	1.39	1.39	3.25	-	7.20 (3.70-8.60)	2.214 (0.830-3.230)	9.72	99
15+18+18+50	1.07	1.28	1.28	3.56	-	7.20 (3.70-8.60)	2.204 (0.830-3.220)	9.68	99
15+18+18+60	0.97	1.17	1.17	3.89	-	7.20 (3.70-8.60)	2.174 (0.830-3.210)	9.55	99
15+18+20+20	1.48	1.78	1.97	1.97	-	7.20 (3.70-8.20)	2.314 (0.890-3.340)	10.16	99
15+18+20+22	1.44	1.73	1.92	2.11	-	7.20 (3.70-8.40)	2.274 (0.860-3.290)	9.99	99
15+18+20+25	1.38	1.66	1.85	2.31	-	7.20 (3.70-8.40)	2.274 (0.860-3.290)	9.99	99
15+18+20+35	1.23	1.47	1.64	2.86	-	7.20 (3.70-8.40)	2.274 (0.860-3.290)	9.99	99
15+18+20+42	1.14	1.36	1.52	3.18	-	7.20 (3.70-8.40)	2.254 (0.860-3.280)	9.90	99
15+18+20+50	1.05	1.26	1.40	3.50	-	7.20 (3.70-8.40)	2.244 (0.860-3.270)	9.86	99
15+18+20+60	0.96	1.15	1.27	3.82	-	7.20 (3.70-8.40)	2.214 (0.860-3.260)	9.72	99
15+18+22+22	1.40	1.68	2.06	2.06	-	7.20 (3.70-8.60)	2.234 (0.830-3.240)	9.81	99
15+18+22+25	1.35	1.62	1.98	2.25	-	7.20 (3.70-8.60)	2.234 (0.830-3.240)	9.81	99

# MXZ-4D72VA COOLING

Indoor units combination	Cooling capacity (kW)						Outdoor unit power consumption(kW)	Current (A)	Power factor(%)
	Unit A	Unit B	Unit C	Unit D	Unit E	Total			
15+18+22+35	1.20	1.44	1.76	2.80	-	7.20 (3.70-8.60)	2.234 (0.830-3.240)	9.81	99
15+18+22+42	1.11	1.34	1.63	3.12	-	7.20 (3.70-8.60)	2.214 (0.830-3.230)	9.72	99
15+18+22+50	1.03	1.23	1.51	3.43	-	7.20 (3.70-8.60)	2.204 (0.830-3.220)	9.68	99
15+18+22+60	0.94	1.13	1.38	3.76	-	7.20 (3.70-8.60)	2.174 (0.830-3.210)	9.55	99
15+18+25+25	1.30	1.56	2.17	2.17	-	7.20 (3.70-8.60)	2.234 (0.830-3.240)	9.81	99
15+18+25+35	1.16	1.39	1.94	2.71	-	7.20 (3.70-8.60)	2.234 (0.830-3.240)	9.81	99
15+18+25+42	1.08	1.30	1.80	3.02	-	7.20 (3.70-8.60)	2.214 (0.830-3.230)	9.72	99
15+18+25+50	1.00	1.20	1.67	3.33	-	7.20 (3.70-8.60)	2.204 (0.830-3.220)	9.68	99
15+18+25+60	0.92	1.10	1.53	3.66	-	7.20 (3.70-8.60)	2.174 (0.830-3.210)	9.55	99
15+18+35+35	1.05	1.26	2.45	2.45	-	7.20 (3.70-8.60)	2.234 (0.830-3.240)	9.81	99
15+18+35+42	0.98	1.18	2.29	2.75	-	7.20 (3.70-8.60)	2.214 (0.830-3.230)	9.72	99
15+18+35+50	0.92	1.10	2.14	3.05	-	7.20 (3.70-8.60)	2.204 (0.830-3.220)	9.68	99
15+18+42+42	0.92	1.11	2.58	2.58	-	7.20 (3.70-8.60)	2.194 (0.830-3.220)	9.64	99
15+18+42+50	0.86	1.04	2.42	2.88	-	7.20 (3.70-8.60)	2.184 (0.830-3.210)	9.59	99
15+20+20+20	1.44	1.92	1.92	1.92	-	7.20 (3.70-8.00)	2.354 (0.920-3.390)	10.34	99
15+20+20+22	1.40	1.87	1.87	2.06	-	7.20 (3.70-8.20)	2.314 (0.890-3.340)	10.16	99
15+20+20+25	1.35	1.80	1.80	2.25	-	7.20 (3.70-8.20)	2.314 (0.890-3.340)	10.16	99
15+20+20+35	1.20	1.60	1.60	2.80	-	7.20 (3.70-8.20)	2.314 (0.890-3.340)	10.16	99
15+20+20+42	1.11	1.48	1.48	3.12	-	7.20 (3.70-8.20)	2.294 (0.890-3.330)	10.07	99
15+20+20+50	1.03	1.37	1.37	3.43	-	7.20 (3.70-8.20)	2.284 (0.890-3.320)	10.03	99
15+20+20+60	0.94	1.25	1.25	3.76	-	7.20 (3.70-8.20)	2.254 (0.890-3.310)	9.90	99
15+20+22+22	1.37	1.82	2.01	2.01	-	7.20 (3.70-8.40)	2.274 (0.860-3.290)	9.99	99
15+20+22+25	1.32	1.76	1.93	2.20	-	7.20 (3.70-8.40)	2.274 (0.860-3.290)	9.99	99
15+20+22+35	1.17	1.57	1.72	2.74	-	7.20 (3.70-8.40)	2.274 (0.860-3.290)	9.99	99
15+20+22+42	1.09	1.45	1.60	3.05	-	7.20 (3.70-8.40)	2.254 (0.860-3.280)	9.90	99
15+20+22+50	1.01	1.35	1.48	3.36	-	7.20 (3.70-8.40)	2.244 (0.860-3.270)	9.86	99
15+20+22+60	0.92	1.23	1.35	3.69	-	7.20 (3.70-8.40)	2.214 (0.860-3.260)	9.72	99
15+20+25+25	1.27	1.69	2.12	2.12	-	7.20 (3.70-8.40)	2.274 (0.860-3.290)	9.99	99
15+20+25+35	1.14	1.52	1.89	2.65	-	7.20 (3.70-8.40)	2.274 (0.860-3.290)	9.99	99
15+20+25+42	1.06	1.41	1.76	2.96	-	7.20 (3.70-8.40)	2.254 (0.860-3.280)	9.90	99
15+20+25+50	0.98	1.31	1.64	3.27	-	7.20 (3.70-8.40)	2.244 (0.860-3.270)	9.86	99
15+20+25+60	0.90	1.20	1.50	3.60	-	7.20 (3.70-8.40)	2.214 (0.860-3.260)	9.72	99
15+20+35+35	1.03	1.37	2.40	2.40	-	7.20 (3.70-8.40)	2.274 (0.860-3.290)	9.99	99
15+20+35+42	0.96	1.29	2.25	2.70	-	7.20 (3.70-8.40)	2.254 (0.860-3.280)	9.90	99
15+20+35+50	0.90	1.20	2.10	3.00	-	7.20 (3.70-8.40)	2.244 (0.860-3.270)	9.86	99
15+20+42+42	0.91	1.21	2.54	2.54	-	7.20 (3.70-8.40)	2.234 (0.860-3.270)	9.81	99
15+22+22+22	1.33	1.96	1.96	1.96	-	7.20 (3.70-8.60)	2.234 (0.830-3.240)	9.81	99
15+22+22+25	1.29	1.89	1.89	2.14	-	7.20 (3.70-8.60)	2.234 (0.830-3.240)	9.81	99
15+22+22+35	1.15	1.69	1.69	2.68	-	7.20 (3.70-8.60)	2.234 (0.830-3.240)	9.81	99
15+22+22+42	1.07	1.57	1.57	2.99	-	7.20 (3.70-8.60)	2.214 (0.830-3.230)	9.72	99
15+22+22+50	0.99	1.45	1.45	3.30	-	7.20 (3.70-8.60)	2.204 (0.830-3.220)	9.68	99

# MXZ-4D72VA COOLING

Indoor units combination	Cooling capacity (kW)						Outdoor unit power consumption(kW)	Current (A)	Power factor(%)
	Unit A	Unit B	Unit C	Unit D	Unit E	Total			
15+22+22+60	0.91	1.33	1.33	3.63	-	7.20 (3.70-8.60)	2.174 (0.830-3.210)	9.55	99
15+22+25+25	1.24	1.82	2.07	2.07	-	7.20 (3.70-8.60)	2.234 (0.830-3.240)	9.81	99
15+22+25+35	1.11	1.63	1.86	2.60	-	7.20 (3.70-8.60)	2.234 (0.830-3.240)	9.81	99
15+22+25+42	1.04	1.52	1.73	2.91	-	7.20 (3.70-8.60)	2.214 (0.830-3.230)	9.72	99
15+22+25+50	0.96	1.41	1.61	3.21	-	7.20 (3.70-8.60)	2.204 (0.830-3.220)	9.68	99
15+22+25+60	0.89	1.30	1.48	3.54	-	7.20 (3.70-8.60)	2.174 (0.830-3.210)	9.55	99
15+22+35+35	1.01	1.48	2.36	2.36	-	7.20 (3.70-8.60)	2.234 (0.830-3.240)	9.81	99
15+22+35+42	0.95	1.39	2.21	2.65	-	7.20 (3.70-8.60)	2.214 (0.830-3.230)	9.72	99
15+22+35+50	0.89	1.30	2.07	2.95	-	7.20 (3.70-8.60)	2.204 (0.830-3.220)	9.68	99
15+22+42+42	0.89	1.31	2.50	2.50	-	7.20 (3.70-8.60)	2.194 (0.830-3.220)	9.64	99
15+25+25+25	1.20	2.00	2.00	2.00	-	7.20 (3.70-8.60)	2.234 (0.830-3.240)	9.81	99
15+25+25+35	1.08	1.80	1.80	2.52	-	7.20 (3.70-8.60)	2.234 (0.830-3.240)	9.81	99
15+25+25+42	1.01	1.68	1.68	2.83	-	7.20 (3.70-8.60)	2.214 (0.830-3.230)	9.72	99
15+25+25+50	0.94	1.57	1.57	3.13	-	7.20 (3.70-8.60)	2.204 (0.830-3.220)	9.68	99
15+25+25+60	0.86	1.44	1.44	3.46	-	7.20 (3.70-8.60)	2.174 (0.830-3.210)	9.55	99
15+25+35+35	0.98	1.64	2.29	2.29	-	7.20 (3.70-8.60)	2.234 (0.830-3.240)	9.81	99
15+25+35+42	0.92	1.54	2.15	2.58	-	7.20 (3.70-8.60)	2.214 (0.830-3.230)	9.72	99
15+25+35+50	0.86	1.44	2.02	2.88	-	7.20 (3.70-8.60)	2.204 (0.830-3.220)	9.68	99
15+25+42+42	0.87	1.45	2.44	2.44	-	7.20 (3.70-8.60)	2.194 (0.830-3.220)	9.64	99
15+35+35+35	0.90	2.10	2.10	2.10	-	7.20 (3.70-8.60)	2.234 (0.830-3.240)	9.81	99
18+18+18+18	1.80	1.80	1.80	1.80	-	7.20 (3.70-8.80)	2.194 (0.800-3.190)	9.64	99
18+18+18+20	1.75	1.75	1.75	1.95	-	7.20 (3.70-8.60)	2.234 (0.830-3.240)	9.81	99
18+18+18+22	1.71	1.71	1.71	2.08	-	7.20 (3.70-8.80)	2.194 (0.800-3.190)	9.64	99
18+18+18+25	1.64	1.64	1.64	2.28	-	7.20 (3.70-8.80)	2.194 (0.800-3.190)	9.64	99
18+18+18+35	1.46	1.46	1.46	2.83	-	7.20 (3.70-8.80)	2.194 (0.800-3.190)	9.64	99
18+18+18+42	1.35	1.35	1.35	3.15	-	7.20 (3.70-8.80)	2.174 (0.800-3.180)	9.55	99
18+18+18+50	1.25	1.25	1.25	3.46	-	7.20 (3.70-8.80)	2.164 (0.800-3.170)	9.50	99
18+18+18+60	1.14	1.14	1.14	3.79	-	7.20 (3.70-8.80)	2.134 (0.800-3.160)	9.37	99
18+18+20+20	1.71	1.71	1.89	1.89	-	7.20 (3.70-8.40)	2.274 (0.860-3.290)	9.99	99
18+18+20+22	1.66	1.66	1.85	2.03	-	7.20 (3.70-8.60)	2.234 (0.830-3.240)	9.81	99
18+18+20+25	1.60	1.60	1.78	2.22	-	7.20 (3.70-8.60)	2.234 (0.830-3.240)	9.81	99
18+18+20+35	1.42	1.42	1.58	2.77	-	7.20 (3.70-8.60)	2.234 (0.830-3.240)	9.81	99
18+18+20+42	1.32	1.32	1.47	3.09	-	7.20 (3.70-8.60)	2.214 (0.830-3.230)	9.72	99
18+18+20+50	1.22	1.22	1.36	3.40	-	7.20 (3.70-8.60)	2.204 (0.830-3.220)	9.68	99
18+18+20+60	1.12	1.12	1.24	3.72	-	7.20 (3.70-8.60)	2.174 (0.830-3.210)	9.55	99
18+18+22+22	1.62	1.62	1.98	1.98	-	7.20 (3.70-8.80)	2.194 (0.800-3.190)	9.64	99
18+18+22+25	1.56	1.56	1.91	2.17	-	7.20 (3.70-8.80)	2.194 (0.800-3.190)	9.64	99
18+18+22+35	1.39	1.39	1.70	2.71	-	7.20 (3.70-8.80)	2.194 (0.800-3.190)	9.64	99
18+18+22+42	1.30	1.30	1.58	3.02	-	7.20 (3.70-8.80)	2.174 (0.800-3.180)	9.55	99
18+18+22+50	1.20	1.20	1.47	3.33	-	7.20 (3.70-8.80)	2.164 (0.800-3.170)	9.50	99
18+18+22+60	1.10	1.10	1.34	3.66	-	7.20 (3.70-8.80)	2.134 (0.800-3.160)	9.37	99

# MXZ-4D72VA COOLING

Indoor units combination	Cooling capacity (kW)					Outdoor unit power consumption(kW)	Current (A)	Power factor(%)	
	Unit A	Unit B	Unit C	Unit D	Unit E				Total
18+18+25+25	1.51	1.51	2.09	2.09	-	7.20 (3.70-8.80)	2.194 (0.800-3.190)	9.64	99
18+18+25+35	1.35	1.35	1.88	2.63	-	7.20 (3.70-8.80)	2.194 (0.800-3.190)	9.64	99
18+18+25+42	1.26	1.26	1.75	2.94	-	7.20 (3.70-8.80)	2.174 (0.800-3.180)	9.55	99
18+18+25+50	1.17	1.17	1.62	3.24	-	7.20 (3.70-8.80)	2.164 (0.800-3.170)	9.50	99
18+18+25+60	1.07	1.07	1.49	3.57	-	7.20 (3.70-8.80)	2.134 (0.800-3.160)	9.37	99
18+18+35+35	1.22	1.22	2.38	2.38	-	7.20 (3.70-8.80)	2.194 (0.800-3.190)	9.64	99
18+18+35+42	1.15	1.15	2.23	2.68	-	7.20 (3.70-8.80)	2.174 (0.800-3.180)	9.55	99
18+18+35+50	1.07	1.07	2.08	2.98	-	7.20 (3.70-8.80)	2.164 (0.800-3.170)	9.50	99
18+18+42+42	1.08	1.08	2.52	2.52	-	7.20 (3.70-8.80)	2.154 (0.800-3.170)	9.46	99
18+20+20+20	1.66	1.85	1.85	1.85	-	7.20 (3.70-8.20)	2.314 (0.890-3.340)	10.16	99
18+20+20+22	1.62	1.80	1.80	1.98	-	7.20 (3.70-8.40)	2.274 (0.860-3.290)	9.99	99
18+20+20+25	1.56	1.73	1.73	2.17	-	7.20 (3.70-8.40)	2.274 (0.860-3.290)	9.99	99
18+20+20+35	1.39	1.55	1.55	2.71	-	7.20 (3.70-8.40)	2.274 (0.860-3.290)	9.99	99
18+20+20+42	1.30	1.44	1.44	3.02	-	7.20 (3.70-8.40)	2.254 (0.860-3.280)	9.90	99
18+20+20+50	1.20	1.33	1.33	3.33	-	7.20 (3.70-8.40)	2.244 (0.860-3.270)	9.86	99
18+20+20+60	1.10	1.22	1.22	3.66	-	7.20 (3.70-8.40)	2.214 (0.860-3.260)	9.72	99
18+20+22+22	1.58	1.76	1.93	1.93	-	7.20 (3.70-8.60)	2.234 (0.830-3.240)	9.81	99
18+20+22+25	1.52	1.69	1.86	2.12	-	7.20 (3.70-8.60)	2.234 (0.830-3.240)	9.81	99
18+20+22+35	1.36	1.52	1.67	2.65	-	7.20 (3.70-8.60)	2.234 (0.830-3.240)	9.81	99
18+20+22+42	1.27	1.41	1.55	2.96	-	7.20 (3.70-8.60)	2.214 (0.830-3.230)	9.72	99
18+20+22+50	1.18	1.31	1.44	3.27	-	7.20 (3.70-8.60)	2.204 (0.830-3.220)	9.68	99
18+20+22+60	1.08	1.20	1.32	3.60	-	7.20 (3.70-8.60)	2.174 (0.830-3.210)	9.55	99
18+20+25+25	1.47	1.64	2.05	2.05	-	7.20 (3.70-8.60)	2.234 (0.830-3.240)	9.81	99
18+20+25+35	1.32	1.47	1.84	2.57	-	7.20 (3.70-8.60)	2.234 (0.830-3.240)	9.81	99
18+20+25+42	1.23	1.37	1.71	2.88	-	7.20 (3.70-8.60)	2.214 (0.830-3.230)	9.72	99
18+20+25+50	1.15	1.27	1.59	3.19	-	7.20 (3.70-8.60)	2.204 (0.830-3.220)	9.68	99
18+20+25+60	1.05	1.17	1.46	3.51	-	7.20 (3.70-8.60)	2.174 (0.830-3.210)	9.55	99
18+20+35+35	1.20	1.33	2.33	2.33	-	7.20 (3.70-8.60)	2.234 (0.830-3.240)	9.81	99
18+20+35+42	1.13	1.25	2.19	2.63	-	7.20 (3.70-8.60)	2.214 (0.830-3.230)	9.72	99
18+20+35+50	1.05	1.17	2.05	2.93	-	7.20 (3.70-8.60)	2.204 (0.830-3.220)	9.68	99
18+20+42+42	1.06	1.18	2.48	2.48	-	7.20 (3.70-8.60)	2.194 (0.830-3.220)	9.64	99
18+22+22+22	1.54	1.89	1.89	1.89	-	7.20 (3.70-8.80)	2.194 (0.800-3.190)	9.64	99
18+22+22+25	1.49	1.82	1.82	2.07	-	7.20 (3.70-8.80)	2.194 (0.800-3.190)	9.64	99
18+22+22+35	1.34	1.63	1.63	2.60	-	7.20 (3.70-8.80)	2.194 (0.800-3.190)	9.64	99
18+22+22+42	1.25	1.52	1.52	2.91	-	7.20 (3.70-8.80)	2.174 (0.800-3.180)	9.55	99
18+22+22+50	1.16	1.41	1.41	3.21	-	7.20 (3.70-8.80)	2.164 (0.800-3.170)	9.50	99
18+22+22+60	1.06	1.30	1.30	3.54	-	7.20 (3.70-8.80)	2.134 (0.800-3.160)	9.37	99
18+22+25+25	1.44	1.76	2.00	2.00	-	7.20 (3.70-8.80)	2.194 (0.800-3.190)	9.64	99
18+22+25+35	1.30	1.58	1.80	2.52	-	7.20 (3.70-8.80)	2.194 (0.800-3.190)	9.64	99
18+22+25+42	1.21	1.48	1.68	2.83	-	7.20 (3.70-8.80)	2.174 (0.800-3.180)	9.55	99
18+22+25+50	1.13	1.38	1.57	3.13	-	7.20 (3.70-8.80)	2.164 (0.800-3.170)	9.50	99

# MXZ-4D72VA COOLING

Indoor units combination	Cooling capacity (kW)						Outdoor unit power consumption(kW)	Current (A)	Power factor(%)
	Unit A	Unit B	Unit C	Unit D	Unit E	Total			
18+22+25+60	1.04	1.27	1.44	3.46	-	7.20 (3.70-8.80)	2.134 (0.800-3.160)	9.37	99
18+22+35+35	1.18	1.44	2.29	2.29	-	7.20 (3.70-8.80)	2.194 (0.800-3.190)	9.64	99
18+22+35+42	1.11	1.35	2.15	2.58	-	7.20 (3.70-8.80)	2.174 (0.800-3.180)	9.55	99
18+22+35+50	1.04	1.27	2.02	2.88	-	7.20 (3.70-8.80)	2.164 (0.800-3.170)	9.50	99
18+22+42+42	1.05	1.28	2.44	2.44	-	7.20 (3.70-8.80)	2.154 (0.800-3.170)	9.46	99
18+25+25+25	1.39	1.94	1.94	1.94	-	7.20 (3.70-8.80)	2.194 (0.800-3.190)	9.64	99
18+25+25+35	1.26	1.75	1.75	2.45	-	7.20 (3.70-8.80)	2.194 (0.800-3.190)	9.64	99
18+25+25+42	1.18	1.64	1.64	2.75	-	7.20 (3.70-8.80)	2.174 (0.800-3.180)	9.55	99
18+25+25+50	1.10	1.53	1.53	3.05	-	7.20 (3.70-8.80)	2.164 (0.800-3.170)	9.50	99
18+25+35+35	1.15	1.59	2.23	2.23	-	7.20 (3.70-8.80)	2.194 (0.800-3.190)	9.64	99
18+25+35+42	1.08	1.50	2.10	2.52	-	7.20 (3.70-8.80)	2.174 (0.800-3.180)	9.55	99
18+35+35+35	1.05	2.05	2.05	2.05	-	7.20 (3.70-8.80)	2.194 (0.800-3.190)	9.64	99
20+20+20+20	1.80	1.80	1.80	1.80	-	7.20 (3.70-8.00)	2.194 (0.800-3.190)	9.64	99
20+20+20+22	1.76	1.76	1.76	1.93	-	7.20 (3.70-8.20)	2.314 (0.890-3.340)	10.16	99
20+20+20+25	1.69	1.69	1.69	2.12	-	7.20 (3.70-8.20)	2.314 (0.890-3.340)	10.16	99
20+20+20+35	1.52	1.52	1.52	2.65	-	7.20 (3.70-8.20)	2.314 (0.890-3.340)	10.16	99
20+20+20+42	1.41	1.41	1.41	2.96	-	7.20 (3.70-8.20)	2.294 (0.890-3.330)	10.07	99
20+20+20+50	1.31	1.31	1.31	3.27	-	7.20 (3.70-8.20)	2.284 (0.890-3.320)	10.03	99
20+20+20+60	1.20	1.20	1.20	3.60	-	7.20 (3.70-8.20)	2.254 (0.890-3.310)	9.90	99
20+20+22+22	1.71	1.71	1.89	1.89	-	7.20 (3.70-8.40)	2.274 (0.860-3.290)	9.99	99
20+20+22+25	1.66	1.66	1.82	2.07	-	7.20 (3.70-8.40)	2.274 (0.860-3.290)	9.99	99
20+20+22+35	1.48	1.48	1.63	2.60	-	7.20 (3.70-8.40)	2.274 (0.860-3.290)	9.99	99
20+20+22+42	1.38	1.38	1.52	2.91	-	7.20 (3.70-8.40)	2.254 (0.860-3.280)	9.90	99
20+20+22+50	1.29	1.29	1.41	3.21	-	7.20 (3.70-8.40)	2.244 (0.860-3.270)	9.86	99
20+20+22+60	1.18	1.18	1.30	3.54	-	7.20 (3.70-8.40)	2.214 (0.860-3.260)	9.72	99
20+20+25+25	1.60	1.60	2.00	2.00	-	7.20 (3.70-8.40)	2.274 (0.860-3.290)	9.99	99
20+20+25+35	1.44	1.44	1.80	2.52	-	7.20 (3.70-8.40)	2.274 (0.860-3.290)	9.99	99
20+20+25+42	1.35	1.35	1.68	2.83	-	7.20 (3.70-8.40)	2.254 (0.860-3.280)	9.90	99
20+20+25+50	1.25	1.25	1.57	3.13	-	7.20 (3.70-8.40)	2.244 (0.860-3.270)	9.86	99
20+20+25+60	1.15	1.15	1.44	3.46	-	7.20 (3.70-8.40)	2.214 (0.860-3.260)	9.72	99
20+20+35+35	1.31	1.31	2.29	2.29	-	7.20 (3.70-8.40)	2.274 (0.860-3.290)	9.99	99
20+20+35+42	1.23	1.23	2.15	2.58	-	7.20 (3.70-8.40)	2.254 (0.860-3.280)	9.90	99
20+20+35+50	1.15	1.15	2.02	2.88	-	7.20 (3.70-8.40)	2.244 (0.860-3.270)	9.86	99
20+20+42+42	1.16	1.16	2.44	2.44	-	7.20 (3.70-8.40)	2.234 (0.860-3.270)	9.81	99
20+22+22+22	1.67	1.84	1.84	1.84	-	7.20 (3.70-8.60)	2.234 (0.830-3.240)	9.81	99
20+22+22+25	1.62	1.78	1.78	2.02	-	7.20 (3.70-8.60)	2.234 (0.830-3.240)	9.81	99
20+22+22+35	1.45	1.60	1.60	2.55	-	7.20 (3.70-8.60)	2.234 (0.830-3.240)	9.81	99
20+22+22+42	1.36	1.49	1.49	2.85	-	7.20 (3.70-8.60)	2.214 (0.830-3.230)	9.72	99
20+22+22+50	1.26	1.39	1.39	3.16	-	7.20 (3.70-8.60)	2.204 (0.830-3.220)	9.68	99
20+22+22+60	1.16	1.28	1.28	3.48	-	7.20 (3.70-8.60)	2.174 (0.830-3.210)	9.55	99
20+22+25+25	1.57	1.72	1.96	1.96	-	7.20 (3.70-8.60)	2.234 (0.830-3.240)	9.81	99



## MXZ-4D72VA COOLING

Indoor units combination	Cooling capacity (kW)						Outdoor unit power consumption(kW)	Current (A)	Power factor(%)
	Unit A	Unit B	Unit C	Unit D	Unit E	Total			
20+22+25+35	1.41	1.55	1.76	2.47	-	7.20 (3.70-8.60)	2.234 (0.830-3.240)	9.81	99
20+22+25+42	1.32	1.45	1.65	2.77	-	7.20 (3.70-8.60)	2.214 (0.830-3.230)	9.72	99
20+22+25+50	1.23	1.35	1.54	3.08	-	7.20 (3.70-8.60)	2.204 (0.830-3.220)	9.68	99
20+22+35+35	1.29	1.41	2.25	2.25	-	7.20 (3.70-8.60)	2.234 (0.830-3.240)	9.81	99
20+22+35+42	1.21	1.33	2.12	2.54	-	7.20 (3.70-8.60)	2.214 (0.830-3.230)	9.72	99
20+25+25+25	1.52	1.89	1.89	1.89	-	7.20 (3.70-8.60)	2.234 (0.830-3.240)	9.81	99
20+25+25+35	1.37	1.71	1.71	2.40	-	7.20 (3.70-8.60)	2.234 (0.830-3.240)	9.81	99
20+25+25+42	1.29	1.61	1.61	2.70	-	7.20 (3.70-8.60)	2.214 (0.830-3.230)	9.72	99
20+25+25+50	1.20	1.50	1.50	3.00	-	7.20 (3.70-8.60)	2.204 (0.830-3.220)	9.68	99
20+25+35+35	1.25	1.57	2.19	2.19	-	7.20 (3.70-8.60)	2.234 (0.830-3.240)	9.81	99
20+25+35+42	1.18	1.48	2.07	2.48	-	7.20 (3.70-8.60)	2.214 (0.830-3.230)	9.72	99
20+35+35+35	1.15	2.02	2.02	2.02	-	7.20 (3.70-8.60)	2.234 (0.830-3.240)	9.81	99
22+22+22+22	1.80	1.80	1.80	1.80	-	7.20 (3.70-8.80)	2.194 (0.800-3.190)	9.64	99
22+22+22+25	1.74	1.74	1.74	1.98	-	7.20 (3.70-8.80)	2.194 (0.800-3.190)	9.64	99
22+22+22+35	1.57	1.57	1.57	2.50	-	7.20 (3.70-8.80)	2.194 (0.800-3.190)	9.64	99
22+22+22+42	1.47	1.47	1.47	2.80	-	7.20 (3.70-8.80)	2.174 (0.800-3.180)	9.55	99
22+22+22+50	1.37	1.37	1.37	3.10	-	7.20 (3.70-8.80)	2.164 (0.800-3.170)	9.50	99
22+22+25+25	1.69	1.69	1.91	1.91	-	7.20 (3.70-8.80)	2.194 (0.800-3.190)	9.64	99
22+22+25+35	1.52	1.52	1.73	2.42	-	7.20 (3.70-8.80)	2.194 (0.800-3.190)	9.64	99
22+22+25+42	1.43	1.43	1.62	2.72	-	7.20 (3.70-8.80)	2.174 (0.800-3.180)	9.55	99
22+22+25+50	1.33	1.33	1.51	3.03	-	7.20 (3.70-8.80)	2.164 (0.800-3.170)	9.50	99
22+22+35+35	1.39	1.39	2.21	2.21	-	7.20 (3.70-8.80)	2.194 (0.800-3.190)	9.64	99
22+22+35+42	1.31	1.31	2.08	2.50	-	7.20 (3.70-8.80)	2.174 (0.800-3.180)	9.55	99
22+25+25+25	1.63	1.86	1.86	1.86	-	7.20 (3.70-8.80)	2.194 (0.800-3.190)	9.64	99
22+25+25+35	1.48	1.68	1.68	2.36	-	7.20 (3.70-8.80)	2.194 (0.800-3.190)	9.64	99
22+25+25+42	1.39	1.58	1.58	2.65	-	7.20 (3.70-8.80)	2.174 (0.800-3.180)	9.55	99
22+25+25+50	1.30	1.48	1.48	2.95	-	7.20 (3.70-8.80)	2.164 (0.800-3.170)	9.50	99
22+25+35+35	1.35	1.54	2.15	2.15	-	7.20 (3.70-8.80)	2.194 (0.800-3.190)	9.64	99
22+25+35+42	1.28	1.45	2.03	2.44	-	7.20 (3.70-8.80)	2.174 (0.800-3.180)	9.55	99
25+25+25+25	1.80	1.80	1.80	1.80	-	7.20 (3.70-8.80)	2.194 (0.800-3.190)	9.64	99
25+25+25+35	1.64	1.64	1.64	2.29	-	7.20 (3.70-8.80)	2.194 (0.800-3.190)	9.64	99
25+25+25+42	1.54	1.54	1.54	2.58	-	7.20 (3.70-8.80)	2.174 (0.800-3.180)	9.55	99
25+25+25+50	1.44	1.44	1.44	2.88	-	7.20 (3.70-8.80)	2.164 (0.800-3.170)	9.50	99
25+25+35+35	1.50	1.50	2.10	2.10	-	7.20 (3.70-8.80)	2.194 (0.800-3.190)	9.64	99

# MXZ-4D72VA HEATING

Indoor units combination	Heating capacity (kW)					Outdoor unit power consumption(kW)	Current (A)	Power factor(%)	
	Unit A	Unit B	Unit C	Unit D	Unit E				Total
15	1.70	-	-	-	-	1.70 (1.20-3.00)	0.500 (0.400-0.950)	2.20	99
18	3.30	-	-	-	-	3.30 (1.20-4.20)	0.760 (0.380-1.090)	3.34	99
20	2.20	-	-	-	-	2.20 (1.20-3.90)	0.610 (0.390-1.330)	2.68	99
22	3.30	-	-	-	-	3.30 (1.20-4.20)	0.760 (0.380-1.090)	3.34	99
25	3.60	-	-	-	-	3.60 (1.20-4.50)	0.860 (0.380-1.190)	3.78	99
35	4.00	-	-	-	-	4.00 (1.20-4.80)	1.000 (0.380-1.300)	4.39	99
42	5.40	-	-	-	-	5.40 (1.30-6.50)	1.460 (0.370-1.800)	6.41	99
50	7.20	-	-	-	-	7.20 (1.40-8.20)	1.880 (0.370-2.300)	8.26	99
60	7.90	-	-	-	-	7.90 (1.40-8.60)	2.120 (0.360-2.410)	9.31	99
15+15	1.70	1.70	-	-	-	3.40 (1.80-5.00)	0.796 (0.670-1.300)	3.50	99
15+18	1.70	3.30	-	-	-	5.00 (1.80-6.10)	1.146 (0.540-1.530)	5.03	99
15+20	1.70	2.20	-	-	-	3.90 (1.80-5.80)	0.966 (0.650-1.625)	4.24	99
15+22	1.70	3.30	-	-	-	5.00 (1.80-6.10)	1.146 (0.540-1.530)	5.03	99
15+25	1.60	3.40	-	-	-	5.00 (1.80-6.10)	1.146 (0.540-1.530)	5.03	99
15+35	1.67	3.93	-	-	-	5.60 (1.80-7.90)	1.320 (0.540-2.190)	5.80	99
15+42	1.46	4.64	-	-	-	6.10 (1.80-7.90)	1.446 (0.540-2.190)	6.35	99
15+50	1.28	5.42	-	-	-	6.70 (1.80-7.90)	1.575 (0.540-2.180)	6.92	99
15+60	1.24	5.76	-	-	-	7.00 (1.80-7.90)	1.671 (0.540-2.150)	7.34	99
18+18	3.30	3.30	-	-	-	6.60 (1.80-7.20)	1.496 (0.410-1.760)	6.57	99
18+20	3.30	2.20	-	-	-	5.50 (1.80-6.90)	1.316 (0.520-1.855)	5.78	99
18+22	3.30	3.30	-	-	-	6.60 (1.80-7.20)	1.496 (0.410-1.760)	6.57	99
18+25	3.16	3.44	-	-	-	6.60 (1.80-7.20)	1.496 (0.410-1.760)	6.57	99
18+35	3.30	4.00	-	-	-	7.30 (1.80-9.00)	1.724 (0.410-2.420)	7.57	99
18+42	3.00	4.90	-	-	-	7.90 (1.80-9.00)	1.850 (0.410-2.420)	8.12	99
18+50	2.67	5.83	-	-	-	8.50 (1.80-9.00)	1.976 (0.410-2.410)	8.68	99
18+60	2.53	6.07	-	-	-	8.60 (1.80-9.00)	2.034 (0.400-2.365)	8.93	99
20+20	2.20	2.20	-	-	-	4.40 (1.80-6.60)	1.136 (0.630-1.950)	4.99	99
20+22	2.20	3.30	-	-	-	5.50 (1.80-6.90)	1.316 (0.520-1.855)	5.78	99
20+25	2.12	3.48	-	-	-	5.60 (1.80-7.20)	1.347 (0.520-1.965)	5.92	99
20+35	2.20	4.00	-	-	-	6.20 (1.80-8.70)	1.580 (0.520-2.515)	6.94	99
20+42	2.00	4.90	-	-	-	6.90 (1.80-8.70)	1.704 (0.520-2.515)	7.48	99
20+50	1.76	5.74	-	-	-	7.50 (1.80-8.70)	1.830 (0.520-2.505)	8.04	99
20+60	1.63	5.87	-	-	-	7.50 (1.80-8.70)	1.863 (0.510-2.450)	8.18	99
22+22	3.30	3.30	-	-	-	6.60 (1.80-7.20)	1.496 (0.410-1.760)	6.57	99
22+25	3.30	3.60	-	-	-	6.90 (1.80-8.10)	1.588 (0.410-2.095)	6.97	99
22+35	3.30	4.00	-	-	-	7.30 (1.80-9.00)	1.796 (0.410-2.420)	7.89	99
22+42	3.11	5.09	-	-	-	8.20 (1.80-9.00)	1.918 (0.410-2.420)	8.42	99
22+60	2.53	6.07	-	-	-	8.60 (1.80-9.00)	2.051 (0.400-2.350)	9.01	99
25+25	3.60	3.60	-	-	-	7.20 (1.80-9.00)	1.680 (0.410-2.430)	7.38	99
25+35	3.60	4.00	-	-	-	7.60 (1.80-9.00)	1.850 (0.410-2.420)	8.12	99
25+42	3.36	5.04	-	-	-	8.40 (1.80-9.00)	1.969 (0.410-2.420)	8.65	99

# MXZ-4D72VA HEATING

Indoor units combination	Heating capacity (kW)						Outdoor unit power consumption(kW)	Current (A)	Power factor(%)
	Unit A	Unit B	Unit C	Unit D	Unit E	Total			
25+50	2.87	5.73	-	-	-	8.60 (1.80-9.00)	2.031 (0.410-2.390)	8.92	99
25+60	2.69	5.91	-	-	-	8.60 (1.80-9.00)	2.043 (0.400-2.335)	8.97	99
35+35	4.00	4.00	-	-	-	8.00 (1.80-9.00)	2.010 (0.410-2.410)	8.83	99
35+42	3.66	4.94	-	-	-	8.60 (1.80-9.00)	2.040 (0.410-2.380)	8.96	99
35+50	3.07	5.53	-	-	-	8.60 (1.80-9.00)	2.043 (0.400-2.335)	8.97	99
35+60	2.89	5.71	-	-	-	8.60 (1.90-9.00)	1.864 (0.370-2.275)	8.19	99
42+42	4.30	4.30	-	-	-	8.60 (1.80-9.00)	2.070 (0.400-2.350)	9.09	99
42+50	3.69	4.91	-	-	-	8.60 (1.90-9.00)	1.925 (0.380-2.300)	8.45	99
42+60	3.49	5.11	-	-	-	8.60 (1.90-9.00)	1.778 (0.360-2.235)	7.81	99
50+50	4.30	4.30	-	-	-	8.60 (1.90-9.00)	1.780 (0.360-2.250)	7.82	99
50+60	4.10	4.50	-	-	-	8.60 (1.90-9.00)	1.760 (0.360-2.160)	7.73	99
60+60	4.30	4.30	-	-	-	8.60 (1.90-9.00)	1.740 (0.360-2.070)	7.64	99
15+15+15	1.70	1.70	1.70	-	-	5.10 (2.60-8.50)	1.129 (0.890-2.425)	4.96	99
15+15+18	1.62	1.62	3.15	-	-	6.40 (2.60-9.20)	1.519 (0.770-2.775)	6.67	99
15+15+20	1.70	1.70	2.20	-	-	5.60 (2.60-9.00)	1.269 (0.910-2.645)	5.57	99
15+15+22	1.62	1.62	3.15	-	-	6.40 (2.60-9.20)	1.519 (0.780-2.775)	6.67	99
15+15+25	1.55	1.55	3.29	-	-	6.40 (2.60-9.20)	1.519 (0.790-2.775)	6.67	99
15+15+35	1.47	1.47	3.46	-	-	6.40 (2.60-9.20)	1.509 (0.790-2.765)	6.63	99
15+15+50	1.03	1.03	4.35	-	-	6.40 (2.60-9.20)	1.499 (0.790-2.755)	6.58	99
15+15+60	0.96	0.96	4.47	-	-	6.40 (2.60-9.20)	1.489 (0.790-2.745)	6.54	99
15+18+18	1.54	2.98	2.98	-	-	7.50 (2.60-9.90)	1.909 (0.650-3.125)	8.38	99
15+18+20	1.63	3.16	2.11	-	-	6.90 (2.60-9.70)	1.659 (0.790-2.995)	7.29	99
15+18+22	1.54	2.98	2.98	-	-	7.50 (2.60-9.90)	1.909 (0.660-3.125)	8.38	99
15+18+25	1.48	2.88	3.14	-	-	7.50 (2.60-9.90)	1.909 (0.640-3.125)	8.38	99
15+18+35	1.42	2.75	3.33	-	-	7.50 (2.60-9.90)	1.899 (0.660-3.115)	8.34	99
15+18+42	1.23	2.38	3.89	-	-	7.50 (2.60-9.90)	1.899 (0.660-3.115)	8.34	99
15+18+50	1.05	2.03	4.43	-	-	7.50 (2.60-9.90)	1.889 (0.660-3.105)	8.30	99
15+18+60	0.99	1.92	4.59	-	-	7.50 (2.60-9.90)	1.879 (0.660-3.095)	8.25	99
15+20+20	1.70	2.20	2.20	-	-	6.10 (2.60-9.50)	1.409 (0.920-2.865)	6.19	99
15+20+22	1.63	2.11	3.16	-	-	6.90 (2.60-9.70)	1.659 (0.780-2.995)	7.29	99
15+20+25	1.56	2.02	3.31	-	-	6.90 (2.60-9.70)	1.659 (0.760-2.995)	7.29	99
15+20+35	1.48	1.92	3.49	-	-	6.90 (2.60-9.70)	1.649 (0.790-2.985)	7.24	99
15+20+42	1.26	1.63	4.01	-	-	6.90 (2.60-9.70)	1.649 (0.790-2.985)	7.24	99
15+20+50	1.06	1.37	4.48	-	-	6.90 (2.60-9.70)	1.639 (0.790-2.975)	7.20	99
15+20+60	0.99	1.29	4.62	-	-	6.90 (2.60-9.70)	1.629 (0.790-2.965)	7.15	99
15+22+22	1.54	2.98	2.98	-	-	7.50 (2.60-9.90)	1.909 (0.640-3.125)	8.38	99
15+22+25	1.48	2.88	3.14	-	-	7.50 (2.60-9.90)	1.909 (0.640-3.125)	8.38	99
15+22+42	1.23	2.38	3.89	-	-	7.50 (2.60-9.90)	1.899 (0.660-3.115)	8.34	99
15+22+50	1.05	2.03	4.43	-	-	7.50 (2.60-9.90)	1.889 (0.660-3.105)	8.30	99
15+22+60	0.99	1.92	4.59	-	-	7.50 (2.60-9.90)	1.879 (0.660-3.095)	8.25	99
15+25+25	1.43	3.03	3.03	-	-	7.50 (2.60-9.90)	1.909 (0.660-3.125)	8.38	99

# MXZ-4D72VA HEATING

Indoor units combination	Heating capacity (kW)						Outdoor unit power consumption(kW)	Current (A)	Power factor(%)
	Unit A	Unit B	Unit C	Unit D	Unit E	Total			
15+25+35	1.37	2.90	3.23	-	-	7.50 (2.60-9.90)	1.899 (0.660-3.115)	8.34	99
15+25+42	1.19	2.52	3.79	-	-	7.50 (2.60-9.90)	1.899 (0.660-3.115)	8.34	99
15+25+50	1.02	2.16	4.32	-	-	7.50 (2.60-9.90)	1.889 (0.660-3.105)	8.30	99
15+25+60	0.97	2.05	4.49	-	-	7.50 (2.60-9.90)	1.879 (0.660-3.095)	8.25	99
15+35+35	1.31	3.09	3.09	-	-	7.50 (2.60-9.90)	1.889 (0.660-3.105)	8.30	99
15+35+42	1.15	2.70	3.65	-	-	7.50 (2.60-9.90)	1.889 (0.660-3.105)	8.30	99
15+35+50	0.99	2.33	4.19	-	-	7.50 (2.60-9.90)	1.879 (0.660-3.095)	8.25	99
15+35+60	0.94	2.21	4.36	-	-	7.50 (2.60-9.90)	1.869 (0.660-3.085)	8.21	99
15+42+42	1.02	3.24	3.24	-	-	7.50 (2.60-9.90)	1.889 (0.660-3.105)	8.30	99
15+42+50	0.89	2.83	3.78	-	-	7.50 (2.60-9.90)	1.879 (0.660-3.095)	8.25	99
15+42+60	0.85	2.70	3.95	-	-	7.50 (2.60-9.90)	1.869 (0.650-3.085)	8.21	99
15+50+50	0.79	3.35	3.35	-	-	7.50 (2.60-9.90)	1.869 (0.650-3.085)	8.21	99
15+50+60	0.76	3.21	3.53	-	-	7.50 (2.60-9.90)	1.859 (0.640-3.075)	8.16	99
18+18+18	2.87	2.87	2.87	-	-	8.60 (2.60-10.60)	2.299 (0.530-3.475)	10.10	99
18+18+20	3.00	3.00	2.00	-	-	8.00 (2.60-10.40)	2.049 (0.650-3.345)	9.00	99
18+18+22	2.87	2.87	2.87	-	-	8.60 (2.60-10.60)	2.299 (0.510-3.475)	10.10	99
18+18+25	2.78	2.78	3.04	-	-	8.60 (2.60-10.60)	2.299 (0.510-3.475)	10.10	99
18+18+35	2.68	2.68	3.25	-	-	8.60 (2.60-10.60)	2.289 (0.530-3.465)	10.05	99
18+18+42	2.37	2.37	3.87	-	-	8.60 (2.60-10.60)	2.289 (0.530-3.465)	10.05	99
18+18+50	2.06	2.06	4.49	-	-	8.60 (2.60-10.60)	2.279 (0.530-3.455)	10.01	99
18+18+60	1.96	1.96	4.69	-	-	8.60 (2.60-10.60)	2.269 (0.530-3.445)	9.96	99
18+20+20	3.17	2.11	2.11	-	-	7.40 (2.60-10.20)	1.799 (0.770-3.215)	7.90	99
18+20+22	3.00	2.00	3.00	-	-	8.00 (2.60-10.40)	2.049 (0.630-3.345)	9.00	99
18+20+25	2.90	1.93	3.16	-	-	8.00 (2.60-10.40)	2.049 (0.650-3.345)	9.00	99
18+20+35	2.78	1.85	3.37	-	-	8.00 (2.60-10.40)	2.039 (0.660-3.335)	8.95	99
18+20+42	2.42	1.61	3.96	-	-	8.00 (2.60-10.40)	2.039 (0.660-3.335)	8.95	99
18+20+50	2.08	1.39	4.54	-	-	8.00 (2.60-10.40)	2.029 (0.660-3.325)	8.91	99
18+20+60	1.97	1.31	4.72	-	-	8.00 (2.60-10.40)	2.019 (0.660-3.315)	8.87	99
18+22+22	2.87	2.87	2.87	-	-	8.60 (2.60-10.60)	2.299 (0.510-3.475)	10.10	99
18+22+25	2.78	2.78	3.04	-	-	8.60 (2.60-10.60)	2.299 (0.530-3.475)	10.10	99
18+22+35	2.68	2.68	3.25	-	-	8.60 (2.60-10.60)	2.289 (0.530-3.465)	10.05	99
18+22+42	2.37	2.37	3.87	-	-	8.60 (2.60-10.60)	2.289 (0.530-3.465)	10.05	99
18+22+50	2.06	2.06	4.49	-	-	8.60 (2.60-10.60)	2.279 (0.530-3.455)	10.01	99
18+22+60	1.96	1.96	4.69	-	-	8.60 (2.60-10.60)	2.269 (0.530-3.445)	9.96	99
18+25+25	2.70	2.95	2.95	-	-	8.60 (2.60-10.60)	2.299 (0.530-3.475)	10.10	99
18+25+35	2.60	2.84	3.16	-	-	8.60 (2.60-10.60)	2.289 (0.530-3.465)	10.05	99
18+25+42	2.31	2.52	3.78	-	-	8.60 (2.60-10.60)	2.289 (0.530-3.465)	10.05	99
18+25+50	2.01	2.20	4.39	-	-	8.60 (2.60-10.60)	2.279 (0.530-3.455)	10.01	99
18+25+60	1.92	2.09	4.59	-	-	8.60 (2.60-10.60)	2.269 (0.530-3.445)	9.96	99
18+35+35	2.51	3.04	3.04	-	-	8.60 (2.60-10.60)	2.279 (0.530-3.455)	10.01	99
18+35+42	2.23	2.71	3.66	-	-	8.60 (2.60-10.60)	2.279 (0.530-3.455)	10.01	99

# MXZ-4D72VA HEATING

Indoor units combination	Heating capacity (kW)						Outdoor unit power consumption(kW)	Current (A)	Power factor(%)
	Unit A	Unit B	Unit C	Unit D	Unit E	Total			
18+35+50	1.96	2.37	4.27	-	-	8.60 (2.60-10.60)	2.269 (0.530-3.445)	9.96	99
18+35+60	1.87	2.26	4.47	-	-	8.60 (2.60-10.60)	2.259 (0.520-3.435)	9.92	99
18+42+42	2.01	3.29	3.29	-	-	8.60 (2.60-10.60)	2.279 (0.530-3.455)	10.01	99
18+42+50	1.78	2.92	3.89	-	-	8.60 (2.60-10.60)	2.269 (0.530-3.445)	9.96	99
18+42+60	1.71	2.80	4.09	-	-	8.60 (2.60-10.60)	2.259 (0.520-3.435)	9.92	99
18+50+50	1.60	3.50	3.50	-	-	8.60 (2.60-10.60)	2.259 (0.520-3.435)	9.92	99
20+20+20	2.20	2.20	2.20	-	-	6.60 (2.60-10.00)	1.549 (0.890-3.085)	6.80	99
20+20+22	2.11	2.11	3.17	-	-	7.40 (2.60-10.20)	1.799 (0.770-3.215)	7.90	99
20+20+25	2.04	2.04	3.33	-	-	7.40 (2.60-10.20)	1.799 (0.790-3.215)	7.90	99
20+20+35	1.94	1.94	3.52	-	-	7.40 (2.60-10.20)	1.789 (0.790-3.205)	7.86	99
20+20+42	1.66	1.66	4.08	-	-	7.40 (2.60-10.20)	1.789 (0.790-3.205)	7.86	99
20+20+50	1.40	1.40	4.59	-	-	7.40 (2.60-10.20)	1.779 (0.790-3.195)	7.81	99
20+20+60	1.32	1.32	4.75	-	-	7.40 (2.60-10.20)	1.769 (0.790-3.185)	7.77	99
20+22+22	2.00	3.00	3.00	-	-	8.00 (2.60-10.40)	2.049 (0.650-3.345)	9.00	99
20+22+25	1.93	2.90	3.16	-	-	8.00 (2.60-10.40)	2.049 (0.660-3.345)	9.00	99
20+22+35	1.85	2.78	3.37	-	-	8.00 (2.60-10.40)	2.039 (0.660-3.335)	8.95	99
20+22+42	1.61	2.42	3.96	-	-	8.00 (2.60-10.40)	2.039 (0.660-3.335)	8.95	99
20+22+50	1.39	2.08	4.54	-	-	8.00 (2.60-10.40)	2.029 (0.660-3.325)	8.91	99
20+22+60	1.31	1.97	4.72	-	-	8.00 (2.60-10.40)	2.019 (0.660-3.315)	8.87	99
20+25+25	1.87	3.06	3.06	-	-	8.00 (2.60-10.40)	2.049 (0.660-3.345)	9.00	99
20+25+35	1.80	2.94	3.27	-	-	8.00 (2.60-10.40)	2.039 (0.660-3.335)	8.95	99
20+25+42	1.57	2.57	3.86	-	-	8.00 (2.60-10.40)	2.039 (0.660-3.335)	8.95	99
20+25+50	1.35	2.22	4.43	-	-	8.00 (2.60-10.40)	2.029 (0.660-3.325)	8.91	99
20+25+60	1.28	2.10	4.61	-	-	8.00 (2.60-10.40)	2.019 (0.660-3.315)	8.87	99
20+35+35	1.73	3.14	3.14	-	-	8.00 (2.60-10.40)	2.029 (0.660-3.325)	8.91	99
20+35+42	1.52	2.76	3.72	-	-	8.00 (2.60-10.40)	2.029 (0.660-3.325)	8.91	99
20+35+50	1.31	2.39	4.30	-	-	8.00 (2.60-10.40)	2.019 (0.660-3.315)	8.87	99
20+35+60	1.25	2.27	4.48	-	-	8.00 (2.60-10.40)	2.009 (0.650-3.305)	8.82	99
20+42+42	1.35	3.32	3.32	-	-	8.00 (2.60-10.40)	2.029 (0.660-3.325)	8.91	99
20+42+50	1.19	2.92	3.89	-	-	8.00 (2.60-10.40)	2.019 (0.650-3.315)	8.87	99
20+42+60	1.14	2.79	4.08	-	-	8.00 (2.60-10.40)	2.009 (0.640-3.305)	8.82	99
20+50+50	1.06	3.47	3.47	-	-	8.00 (2.60-10.40)	2.009 (0.650-3.305)	8.82	99
22+22+22	2.87	2.87	2.87	-	-	8.60 (2.60-10.60)	2.299 (0.530-3.475)	10.10	99
22+22+25	2.78	2.78	3.04	-	-	8.60 (2.60-10.60)	2.299 (0.530-3.475)	10.10	99
22+22+35	2.68	2.68	3.25	-	-	8.60 (2.60-10.60)	2.289 (0.530-3.465)	10.05	99
22+22+42	2.37	2.37	3.87	-	-	8.60 (2.60-10.60)	2.289 (0.530-3.465)	10.05	99
22+22+50	2.06	2.06	4.49	-	-	8.60 (2.60-10.60)	2.279 (0.530-3.455)	10.01	99
22+22+60	1.96	1.96	4.69	-	-	8.60 (2.60-10.60)	2.269 (0.530-3.445)	9.96	99
22+25+35	2.60	2.84	3.16	-	-	8.60 (2.60-10.60)	2.289 (0.530-3.465)	10.05	99
22+25+42	2.31	2.52	3.78	-	-	8.60 (2.60-10.60)	2.289 (0.530-3.465)	10.05	99
22+25+50	2.01	2.20	4.39	-	-	8.60 (2.60-10.60)	2.279 (0.530-3.455)	10.01	99

# MXZ-4D72VA HEATING

Indoor units combination	Heating capacity (kW)						Outdoor unit power consumption(kW)	Current (A)	Power factor(%)
	Unit A	Unit B	Unit C	Unit D	Unit E	Total			
22+25+60	1.92	2.09	4.59	-	-	8.60 (2.60-10.60)	2.269 (0.530-3.445)	9.96	99
22+35+35	2.51	3.04	3.04	-	-	8.60 (2.60-10.60)	2.279 (0.530-3.455)	10.01	99
22+35+42	2.23	2.71	3.66	-	-	8.60 (2.60-10.60)	2.279 (0.530-3.455)	10.01	99
22+35+50	1.96	2.37	4.27	-	-	8.60 (2.60-10.60)	2.269 (0.530-3.445)	9.96	99
22+35+60	1.87	2.26	4.47	-	-	8.60 (2.60-10.60)	2.259 (0.520-3.435)	9.92	99
22+42+42	2.01	3.29	3.29	-	-	8.60 (2.60-10.60)	2.279 (0.530-3.455)	10.01	99
22+42+50	1.78	2.92	3.89	-	-	8.60 (2.60-10.60)	2.269 (0.520-3.445)	9.96	99
22+42+60	1.71	2.80	4.09	-	-	8.60 (2.60-10.60)	2.259 (0.510-3.435)	9.92	99
22+50+50	1.60	3.50	3.50	-	-	8.60 (2.60-10.60)	2.259 (0.510-3.435)	9.92	99
25+25+25	2.87	2.87	2.87	-	-	8.60 (2.60-10.60)	2.299 (0.530-3.475)	10.10	99
25+25+35	2.76	2.76	3.07	-	-	8.60 (2.60-10.60)	2.289 (0.530-3.465)	10.05	99
25+25+42	2.46	2.46	3.69	-	-	8.60 (2.60-10.60)	2.289 (0.530-3.465)	10.05	99
25+25+50	2.15	2.15	4.30	-	-	8.60 (2.60-10.60)	2.279 (0.530-3.455)	10.01	99
25+25+60	2.05	2.05	4.50	-	-	8.60 (2.60-10.60)	2.269 (0.530-3.445)	9.96	99
25+35+35	2.67	2.97	2.97	-	-	8.60 (2.60-10.60)	2.279 (0.530-3.455)	10.01	99
25+35+42	2.38	2.65	3.57	-	-	8.60 (2.60-10.60)	2.279 (0.530-3.455)	10.01	99
25+35+50	2.09	2.32	4.18	-	-	8.60 (2.60-10.60)	2.269 (0.530-3.445)	9.96	99
25+35+60	2.00	2.22	4.38	-	-	8.60 (2.60-10.60)	2.259 (0.520-3.435)	9.92	99
25+42+42	2.15	3.23	3.23	-	-	8.60 (2.60-10.60)	2.279 (0.530-3.455)	10.01	99
25+42+50	1.91	2.87	3.82	-	-	8.60 (2.60-10.60)	2.269 (0.520-3.445)	9.96	99
25+50+50	1.72	3.44	3.44	-	-	8.60 (2.60-10.60)	2.259 (0.510-3.435)	9.92	99
35+35+35	2.87	2.87	2.87	-	-	8.60 (2.60-10.60)	2.269 (0.530-3.445)	9.96	99
35+35+42	2.57	2.57	3.47	-	-	8.60 (2.60-10.60)	2.269 (0.520-3.445)	9.96	99
35+35+50	2.26	2.26	4.07	-	-	8.60 (2.60-10.60)	2.259 (0.520-3.435)	9.92	99
35+42+42	2.32	3.14	3.14	-	-	8.60 (2.60-10.60)	2.269 (0.520-3.445)	9.96	99
15+15+15+15	1.70	1.70	1.70	1.70	-	6.80 (3.40-9.50)	1.492 (0.880-2.470)	6.55	99
15+15+15+18	1.50	1.50	1.50	2.91	-	7.40 (3.40-9.80)	1.662 (0.810-2.550)	7.30	99
15+15+15+20	1.70	1.70	1.70	2.20	-	7.30 (3.40-9.80)	1.762 (0.880-2.695)	7.74	99
15+15+15+22	1.50	1.50	1.50	2.91	-	7.40 (3.40-9.80)	1.662 (0.810-2.550)	7.30	99
15+15+15+25	1.45	1.45	1.45	3.06	-	7.40 (3.40-9.80)	1.662 (0.810-2.550)	7.30	99
15+15+15+35	1.38	1.38	1.38	3.25	-	7.40 (3.40-9.80)	1.652 (0.810-2.540)	7.26	99
15+15+15+42	1.20	1.20	1.20	3.81	-	7.40 (3.40-9.80)	1.652 (0.810-2.700)	7.26	99
15+15+15+50	1.02	1.02	1.02	4.33	-	7.40 (3.40-9.80)	1.642 (0.810-2.710)	7.21	99
15+15+15+60	0.97	0.97	0.97	4.50	-	7.40 (3.40-9.80)	1.632 (0.810-2.700)	7.17	99
15+15+18+18	1.33	1.33	2.57	2.57	-	7.80 (3.40-10.10)	1.832 (0.740-2.630)	8.05	99
15+15+18+20	1.49	1.49	2.89	1.93	-	7.80 (3.40-10.10)	1.932 (0.810-2.775)	8.48	99
15+15+18+22	1.33	1.33	2.57	2.57	-	7.80 (3.40-10.10)	1.832 (0.740-2.630)	8.05	99
15+15+18+25	1.29	1.29	2.50	2.73	-	7.80 (3.40-10.10)	1.832 (0.740-2.630)	8.05	99
15+15+18+35	1.24	1.24	2.41	2.92	-	7.80 (3.40-10.10)	1.822 (0.740-2.690)	8.00	99
15+15+18+42	1.10	1.10	2.13	3.48	-	7.80 (3.40-10.10)	1.822 (0.740-2.800)	8.00	99
15+15+18+50	0.95	0.95	1.85	4.04	-	7.80 (3.40-10.10)	1.812 (0.740-2.790)	7.96	99

# MXZ-4D72VA HEATING

Indoor units combination	Heating capacity (kW)						Outdoor unit power consumption(kW)	Current (A)	Power factor(%)
	Unit A	Unit B	Unit C	Unit D	Unit E	Total			
15+15+18+60	0.91	0.91	1.76	4.22	-	7.80 (3.40-10.10)	1.802 (0.740-2.780)	7.91	99
15+15+20+20	1.70	1.70	2.20	2.20	-	7.80 (3.40-10.10)	2.032 (0.880-2.920)	8.92	99
15+15+20+25	1.44	1.44	1.87	3.05	-	7.80 (3.40-10.10)	1.932 (0.810-2.775)	8.48	99
15+15+20+35	1.38	1.38	1.79	3.25	-	7.80 (3.40-10.10)	1.922 (0.810-2.880)	8.44	99
15+15+20+42	1.21	1.21	1.56	3.83	-	7.80 (3.40-10.10)	1.922 (0.810-2.945)	8.44	99
15+15+20+50	1.04	1.04	1.34	4.39	-	7.80 (3.40-10.10)	1.912 (0.810-2.935)	8.40	99
15+15+20+60	0.98	0.98	1.27	4.56	-	7.80 (3.40-10.10)	1.902 (0.810-2.925)	8.35	99
15+15+22+22	1.33	1.33	2.57	2.57	-	7.80 (3.40-10.10)	1.832 (0.740-2.630)	8.05	99
15+15+22+25	1.29	1.29	2.50	2.73	-	7.80 (3.40-10.10)	1.832 (0.740-2.630)	8.05	99
15+15+22+35	1.24	1.24	2.41	2.92	-	7.80 (3.40-10.10)	1.822 (0.740-2.780)	8.00	99
15+15+22+42	1.10	1.10	2.13	3.48	-	7.80 (3.40-10.10)	1.822 (0.740-2.800)	8.00	99
15+15+22+50	0.95	0.95	1.85	4.04	-	7.80 (3.40-10.10)	1.812 (0.740-2.790)	7.96	99
15+15+22+60	0.91	0.91	1.76	4.22	-	7.80 (3.40-10.10)	1.802 (0.740-2.780)	7.91	99
15+15+25+25	1.25	1.25	2.65	2.65	-	7.80 (3.40-10.10)	1.832 (0.740-2.630)	8.05	99
15+15+25+35	1.21	1.21	2.55	2.84	-	7.80 (3.40-10.10)	1.822 (0.740-2.800)	8.00	99
15+15+25+42	1.07	1.07	2.26	3.40	-	7.80 (3.40-10.10)	1.822 (0.740-2.800)	8.00	99
15+15+25+50	0.93	0.93	1.98	3.95	-	7.80 (3.40-10.10)	1.812 (0.740-2.790)	7.96	99
15+15+25+60	0.89	0.89	1.88	4.14	-	7.80 (3.40-10.10)	1.802 (0.740-2.780)	7.91	99
15+15+35+35	1.16	1.16	2.74	2.74	-	7.80 (3.40-10.10)	1.812 (0.740-2.790)	7.96	99
15+15+35+42	1.04	1.04	2.44	3.29	-	7.80 (3.40-10.10)	1.812 (0.740-2.790)	7.96	99
15+15+35+50	0.91	0.91	2.14	3.85	-	7.80 (3.40-10.10)	1.802 (0.740-2.780)	7.91	99
15+15+35+60	0.87	0.87	2.04	4.03	-	7.80 (3.40-10.10)	1.792 (0.740-2.770)	7.87	99
15+15+42+42	0.93	0.93	2.97	2.97	-	7.80 (3.40-10.10)	1.812 (0.740-2.790)	7.96	99
15+15+42+50	0.83	0.83	2.63	3.51	-	7.80 (3.40-10.10)	1.802 (0.740-2.780)	7.91	99
15+18+18+18	1.20	2.33	2.33	2.33	-	8.20 (3.40-10.40)	2.002 (0.670-2.710)	8.79	99
15+18+18+20	1.33	2.58	2.58	1.72	-	8.20 (3.40-10.40)	2.102 (0.740-2.855)	9.23	99
15+18+18+22	1.20	2.33	2.33	2.33	-	8.20 (3.40-10.40)	2.002 (0.670-2.710)	8.79	99
15+18+18+25	1.17	2.27	2.27	2.48	-	8.20 (3.40-10.40)	2.002 (0.670-2.710)	8.79	99
15+18+18+35	1.13	2.20	2.20	2.67	-	8.20 (3.40-10.40)	1.992 (0.670-2.835)	8.75	99
15+18+18+42	1.02	1.98	1.98	3.23	-	8.20 (3.40-10.40)	1.992 (0.670-2.880)	8.75	99
15+18+18+50	0.90	1.75	1.75	3.81	-	8.20 (3.40-10.40)	1.982 (0.670-2.870)	8.70	99
15+18+18+60	0.86	1.67	1.67	4.00	-	8.20 (3.40-10.40)	1.972 (0.670-2.860)	8.66	99
15+18+20+20	1.48	2.88	1.92	1.92	-	8.20 (3.40-10.40)	2.202 (0.810-3.000)	9.67	99
15+18+20+22	1.33	2.58	1.72	2.58	-	8.20 (3.40-10.40)	2.102 (0.740-2.855)	9.23	99
15+18+20+25	1.29	2.51	1.67	2.73	-	8.20 (3.40-10.40)	2.102 (0.740-2.855)	9.23	99
15+18+20+35	1.24	2.42	1.61	2.93	-	8.20 (3.40-10.40)	2.092 (0.740-3.025)	9.19	99
15+18+20+42	1.11	2.15	1.43	3.51	-	8.20 (3.40-10.40)	2.092 (0.740-3.025)	9.19	99
15+18+20+50	0.97	1.88	1.25	4.10	-	8.20 (3.40-10.40)	2.082 (0.740-3.015)	9.14	99
15+18+20+60	0.92	1.79	1.19	4.29	-	8.20 (3.40-10.40)	2.072 (0.740-3.005)	9.10	99
15+18+22+22	1.20	2.33	2.33	2.33	-	8.20 (3.40-10.40)	2.002 (0.670-2.710)	8.79	99
15+18+22+25	1.17	2.27	2.27	2.48	-	8.20 (3.40-10.40)	2.002 (0.670-2.710)	8.79	99

# MXZ-4D72VA HEATING

Indoor units combination	Heating capacity (kW)						Outdoor unit power consumption(kW)	Current (A)	Power factor(%)
	Unit A	Unit B	Unit C	Unit D	Unit E	Total			
15+18+22+35	1.13	2.20	2.20	2.67	-	8.20 (3.40-10.40)	1.992 (0.670-2.880)	8.75	99
15+18+22+42	1.02	1.98	1.98	3.23	-	8.20 (3.40-10.40)	1.992 (0.670-2.880)	8.75	99
15+18+22+50	0.90	1.75	1.75	3.81	-	8.20 (3.40-10.40)	1.982 (0.670-2.870)	8.70	99
15+18+22+60	0.86	1.67	1.67	4.00	-	8.20 (3.40-10.40)	1.972 (0.670-2.860)	8.66	99
15+18+25+25	1.14	2.22	2.42	2.42	-	8.20 (3.40-10.40)	2.002 (0.670-2.780)	8.79	99
15+18+25+35	1.11	2.15	2.34	2.60	-	8.20 (3.40-10.40)	1.992 (0.670-2.880)	8.75	99
15+18+25+42	1.00	1.93	2.11	3.16	-	8.20 (3.40-10.40)	1.992 (0.670-2.880)	8.75	99
15+18+25+50	0.88	1.71	1.87	3.74	-	8.20 (3.40-10.40)	1.982 (0.670-2.870)	8.70	99
15+18+25+60	0.84	1.64	1.79	3.93	-	8.20 (3.40-10.40)	1.972 (0.670-2.860)	8.66	99
15+18+35+35	1.07	2.08	2.52	2.52	-	8.20 (3.40-10.40)	1.982 (0.670-2.870)	8.70	99
15+18+35+42	0.97	1.88	2.28	3.08	-	8.20 (3.40-10.40)	1.982 (0.670-2.870)	8.70	99
15+18+35+50	0.86	1.67	2.02	3.64	-	8.20 (3.40-10.40)	1.972 (0.670-2.860)	8.66	99
15+18+42+42	0.88	1.71	2.80	2.80	-	8.20 (3.40-10.40)	1.982 (0.670-2.870)	8.70	99
15+18+42+50	0.79	1.54	2.52	3.35	-	8.20 (3.40-10.40)	1.972 (0.670-2.860)	8.66	99
15+20+20+20	1.68	2.17	2.17	2.17	-	8.20 (3.40-10.40)	2.302 (0.880-3.145)	10.11	99
15+20+20+22	1.48	1.92	1.92	2.88	-	8.20 (3.40-10.40)	2.202 (0.810-3.000)	9.67	99
15+20+20+25	1.44	1.86	1.86	3.04	-	8.20 (3.40-10.40)	2.202 (0.810-3.000)	9.67	99
15+20+20+35	1.38	1.79	1.79	3.25	-	8.20 (3.40-10.40)	2.192 (0.810-3.170)	9.63	99
15+20+20+42	1.21	1.57	1.57	3.85	-	8.20 (3.40-10.40)	2.192 (0.810-3.170)	9.63	99
15+20+20+50	1.05	1.36	1.36	4.44	-	8.20 (3.40-10.40)	2.182 (0.810-3.160)	9.58	99
15+20+20+60	1.00	1.29	1.29	4.63	-	8.20 (3.40-10.40)	2.172 (0.810-3.150)	9.54	99
15+20+22+22	1.33	1.72	2.58	2.58	-	8.20 (3.40-10.40)	2.102 (0.740-2.855)	9.23	99
15+20+22+25	1.29	1.67	2.51	2.73	-	8.20 (3.40-10.40)	2.102 (0.740-2.900)	9.23	99
15+20+22+35	1.24	1.61	2.42	2.93	-	8.20 (3.40-10.40)	2.092 (0.740-3.025)	9.19	99
15+20+22+42	1.11	1.43	2.15	3.51	-	8.20 (3.40-10.40)	2.092 (0.740-3.025)	9.19	99
15+20+22+50	0.97	1.25	1.88	4.10	-	8.20 (3.40-10.40)	2.082 (0.740-3.015)	9.14	99
15+20+22+60	0.92	1.19	1.79	4.29	-	8.20 (3.40-10.40)	2.072 (0.740-3.005)	9.10	99
15+20+25+25	1.26	1.63	2.66	2.66	-	8.20 (3.40-10.40)	2.102 (0.740-2.970)	9.23	99
15+20+25+35	1.21	1.57	2.57	2.85	-	8.20 (3.40-10.40)	2.092 (0.740-3.025)	9.19	99
15+20+25+42	1.08	1.40	2.29	3.43	-	8.20 (3.40-10.40)	2.092 (0.740-3.025)	9.19	99
15+20+25+50	0.95	1.23	2.01	4.02	-	8.20 (3.40-10.40)	2.082 (0.740-3.015)	9.14	99
15+20+25+60	0.91	1.17	1.92	4.21	-	8.20 (3.40-10.40)	2.072 (0.740-3.005)	9.10	99
15+20+35+35	1.17	1.52	2.76	2.76	-	8.20 (3.40-10.40)	2.082 (0.740-3.015)	9.14	99
15+20+35+42	1.05	1.36	2.47	3.33	-	8.20 (3.40-10.40)	2.082 (0.740-3.015)	9.14	99
15+20+35+50	0.92	1.19	2.17	3.91	-	8.20 (3.40-10.40)	2.072 (0.740-3.005)	9.10	99
15+20+42+42	0.95	1.23	3.01	3.01	-	8.20 (3.40-10.40)	2.082 (0.740-3.015)	9.14	99
15+22+22+22	1.20	2.33	2.33	2.33	-	8.20 (3.40-10.40)	2.002 (0.670-2.735)	8.79	99
15+22+22+25	1.17	2.27	2.27	2.48	-	8.20 (3.40-10.40)	2.002 (0.670-2.800)	8.79	99
15+22+22+35	1.13	2.20	2.20	2.67	-	8.20 (3.40-10.40)	1.992 (0.670-2.880)	8.75	99
15+22+22+42	1.02	1.98	1.98	3.23	-	8.20 (3.40-10.40)	1.992 (0.670-2.880)	8.75	99
15+22+22+50	0.90	1.75	1.75	3.81	-	8.20 (3.40-10.40)	1.982 (0.670-2.870)	8.70	99



# MXZ-4D72VA HEATING

Indoor units combination	Heating capacity (kW)						Outdoor unit power consumption(kW)	Current (A)	Power factor(%)
	Unit A	Unit B	Unit C	Unit D	Unit E	Total			
15+22+22+60	0.86	1.67	1.67	4.00	-	8.20 (3.40-10.40)	1.972 (0.670-2.860)	8.66	99
15+22+25+25	1.14	2.22	2.42	2.42	-	8.20 (3.40-10.40)	2.002 (0.670-2.870)	8.79	99
15+22+25+35	1.11	2.15	2.34	2.60	-	8.20 (3.40-10.40)	1.992 (0.670-2.880)	8.75	99
15+22+25+42	1.00	1.93	2.11	3.16	-	8.20 (3.40-10.40)	1.992 (0.670-2.880)	8.75	99
15+22+25+50	0.88	1.71	1.87	3.74	-	8.20 (3.40-10.40)	1.982 (0.670-2.870)	8.70	99
15+22+25+60	0.84	1.64	1.79	3.93	-	8.20 (3.40-10.40)	1.972 (0.670-2.860)	8.66	99
15+22+35+35	1.07	2.08	2.52	2.52	-	8.20 (3.40-10.40)	1.982 (0.670-2.870)	8.70	99
15+22+35+42	0.97	1.88	2.28	3.08	-	8.20 (3.40-10.40)	1.982 (0.670-2.870)	8.70	99
15+22+35+50	0.86	1.67	2.02	3.64	-	8.20 (3.40-10.40)	1.972 (0.670-2.860)	8.66	99
15+22+42+42	0.88	1.71	2.80	2.80	-	8.20 (3.40-10.40)	1.982 (0.670-2.870)	8.70	99
15+25+25+25	1.12	2.36	2.36	2.36	-	8.20 (3.40-10.40)	2.002 (0.670-2.890)	8.79	99
15+25+25+35	1.08	2.29	2.29	2.54	-	8.20 (3.40-10.40)	1.992 (0.670-2.880)	8.75	99
15+25+25+42	0.97	2.06	2.06	3.10	-	8.20 (3.40-10.40)	1.992 (0.670-2.880)	8.75	99
15+25+25+50	0.87	1.83	1.83	3.67	-	8.20 (3.40-10.40)	1.982 (0.670-2.870)	8.70	99
15+25+25+60	0.83	1.76	1.76	3.86	-	8.20 (3.40-10.40)	1.972 (0.670-2.860)	8.66	99
15+25+35+35	1.05	2.22	2.47	2.47	-	8.20 (3.40-10.40)	1.982 (0.670-2.870)	8.70	99
15+25+35+42	0.95	2.01	2.23	3.01	-	8.20 (3.40-10.40)	1.982 (0.670-2.870)	8.70	99
15+25+35+50	0.84	1.79	1.99	3.58	-	8.20 (3.40-10.40)	1.972 (0.670-2.860)	8.66	99
15+25+42+42	0.87	1.83	2.75	2.75	-	8.20 (3.40-10.40)	1.982 (0.670-2.870)	8.70	99
15+35+35+35	1.02	2.39	2.39	2.39	-	8.20 (3.40-10.40)	1.972 (0.670-2.860)	8.66	99
18+18+18+18	2.15	2.15	2.15	2.15	-	8.60 (3.40-10.70)	2.172 (0.600-2.790)	9.54	99
18+18+18+20	2.35	2.35	2.35	1.56	-	8.60 (3.40-10.70)	2.272 (0.670-2.935)	9.98	99
18+18+18+22	2.15	2.15	2.15	2.15	-	8.60 (3.40-10.70)	2.172 (0.600-2.790)	9.54	99
18+18+18+25	2.10	2.10	2.10	2.29	-	8.60 (3.40-10.70)	2.172 (0.600-2.790)	9.54	99
18+18+18+35	2.04	2.04	2.04	2.47	-	8.60 (3.40-10.70)	2.162 (0.600-2.960)	9.49	99
18+18+18+42	1.85	1.85	1.85	3.04	-	8.60 (3.40-10.70)	2.162 (0.600-2.960)	9.49	99
18+18+18+50	1.66	1.66	1.66	3.62	-	8.60 (3.40-10.70)	2.152 (0.600-2.950)	9.45	99
18+18+18+60	1.59	1.59	1.59	3.82	-	8.60 (3.40-10.70)	2.142 (0.600-2.940)	9.41	99
18+18+20+20	2.58	2.58	1.72	1.72	-	8.60 (3.40-10.70)	2.372 (0.740-3.080)	10.42	99
18+18+20+22	2.35	2.35	1.56	2.35	-	8.60 (3.40-10.70)	2.272 (0.670-2.935)	9.98	99
18+18+20+25	2.29	2.29	1.53	2.50	-	8.60 (3.40-10.70)	2.272 (0.670-2.960)	9.98	99
18+18+20+35	2.22	2.22	1.48	2.69	-	8.60 (3.40-10.70)	2.262 (0.670-3.105)	9.93	99
18+18+20+42	2.00	2.00	1.33	3.27	-	8.60 (3.40-10.70)	2.262 (0.670-3.105)	9.93	99
18+18+20+50	1.77	1.77	1.18	3.87	-	8.60 (3.40-10.70)	2.252 (0.670-3.095)	9.89	99
18+18+20+60	1.70	1.70	1.13	4.07	-	8.60 (3.40-10.70)	2.242 (0.670-3.085)	9.85	99
18+18+22+22	2.15	2.15	2.15	2.15	-	8.60 (3.40-10.70)	2.172 (0.600-2.790)	9.54	99
18+18+22+25	2.10	2.10	2.10	2.29	-	8.60 (3.40-10.70)	2.172 (0.600-2.860)	9.54	99
18+18+22+35	2.04	2.04	2.04	2.47	-	8.60 (3.40-10.70)	2.162 (0.600-2.960)	9.49	99
18+18+22+42	1.85	1.85	1.85	3.04	-	8.60 (3.40-10.70)	2.162 (0.600-2.960)	9.49	99
18+18+22+50	1.66	1.66	1.66	3.62	-	8.60 (3.40-10.70)	2.152 (0.600-2.950)	9.45	99
18+18+22+60	1.59	1.59	1.59	3.82	-	8.60 (3.40-10.70)	2.142 (0.600-2.940)	9.41	99

# MXZ-4D72VA HEATING

Indoor units combination	Heating capacity (kW)						Outdoor unit power consumption(kW)	Current (A)	Power factor(%)
	Unit A	Unit B	Unit C	Unit D	Unit E	Total			
18+18+25+25	2.06	2.06	2.24	2.24	-	8.60 (3.40-10.70)	2.172 (0.600-2.925)	9.54	99
18+18+25+35	2.00	2.00	2.18	2.42	-	8.60 (3.40-10.70)	2.162 (0.600-2.960)	9.49	99
18+18+25+42	1.82	1.82	1.98	2.98	-	8.60 (3.40-10.70)	2.162 (0.600-2.960)	9.49	99
18+18+25+50	1.63	1.63	1.78	3.56	-	8.60 (3.40-10.70)	2.152 (0.600-2.950)	9.45	99
18+18+25+60	1.57	1.57	1.71	3.75	-	8.60 (3.40-10.70)	2.142 (0.600-2.940)	9.41	99
18+18+35+35	1.94	1.94	2.36	2.36	-	8.60 (3.40-10.70)	2.152 (0.600-2.950)	9.45	99
18+18+35+42	1.77	1.77	2.15	2.90	-	8.60 (3.40-10.70)	2.152 (0.600-2.950)	9.45	99
18+18+35+50	1.59	1.59	1.93	3.48	-	8.60 (3.40-10.70)	2.142 (0.600-2.940)	9.41	99
18+18+42+42	1.63	1.63	2.67	2.67	-	8.60 (3.40-10.70)	2.152 (0.600-2.950)	9.45	99
18+20+20+20	2.87	1.91	1.91	1.91	-	8.60 (3.40-10.70)	2.472 (0.810-3.225)	10.86	99
18+20+20+22	2.58	1.72	1.72	2.58	-	8.60 (3.40-10.70)	2.372 (0.740-3.080)	10.42	99
18+20+20+25	2.51	1.67	1.67	2.74	-	8.60 (3.40-10.70)	2.372 (0.740-3.150)	10.42	99
18+20+20+35	2.43	1.62	1.62	2.94	-	8.60 (3.40-10.70)	2.362 (0.740-3.250)	10.37	99
18+20+20+42	2.17	1.44	1.44	3.55	-	8.60 (3.40-10.70)	2.362 (0.740-3.250)	10.37	99
18+20+20+50	1.90	1.27	1.27	4.16	-	8.60 (3.40-10.70)	2.352 (0.740-3.240)	10.33	99
18+20+20+60	1.82	1.21	1.21	4.36	-	8.60 (3.40-10.70)	2.342 (0.740-3.230)	10.29	99
18+20+22+22	2.35	1.56	2.35	2.35	-	8.60 (3.40-10.70)	2.272 (0.670-2.980)	9.98	99
18+20+22+25	2.29	1.53	2.29	2.50	-	8.60 (3.40-10.70)	2.272 (0.670-3.050)	9.98	99
18+20+22+35	2.22	1.48	2.22	2.69	-	8.60 (3.40-10.70)	2.262 (0.670-3.105)	9.93	99
18+20+22+42	2.00	1.33	2.00	3.27	-	8.60 (3.40-10.70)	2.262 (0.670-3.105)	9.93	99
18+20+22+50	1.77	1.18	1.77	3.87	-	8.60 (3.40-10.70)	2.252 (0.670-3.095)	9.89	99
18+20+22+60	1.70	1.13	1.70	4.07	-	8.60 (3.40-10.70)	2.242 (0.670-3.085)	9.85	99
18+20+25+25	2.23	1.49	2.44	2.44	-	8.60 (3.40-10.70)	2.272 (0.670-3.115)	9.98	99
18+20+25+35	2.17	1.44	2.36	2.63	-	8.60 (3.40-10.70)	2.262 (0.670-3.105)	9.93	99
18+20+25+42	1.96	1.30	2.14	3.20	-	8.60 (3.40-10.70)	2.262 (0.670-3.105)	9.93	99
18+20+25+50	1.74	1.16	1.90	3.80	-	8.60 (3.40-10.70)	2.252 (0.670-3.095)	9.89	99
18+20+25+60	1.67	1.11	1.82	4.00	-	8.60 (3.40-10.70)	2.242 (0.670-3.085)	9.85	99
18+20+35+35	2.10	1.40	2.55	2.55	-	8.60 (3.40-10.70)	2.252 (0.670-3.095)	9.89	99
18+20+35+42	1.90	1.27	2.31	3.12	-	8.60 (3.40-10.70)	2.252 (0.670-3.095)	9.89	99
18+20+35+50	1.70	1.13	2.06	3.71	-	8.60 (3.40-10.70)	2.242 (0.670-3.085)	9.85	99
18+20+42+42	1.74	1.16	2.85	2.85	-	8.60 (3.40-10.70)	2.252 (0.670-3.095)	9.89	99
18+22+22+22	2.15	2.15	2.15	2.15	-	8.60 (3.40-10.70)	2.172 (0.600-2.880)	9.54	99
18+22+22+25	2.10	2.10	2.10	2.29	-	8.60 (3.40-10.70)	2.172 (0.600-2.950)	9.54	99
18+22+22+35	2.04	2.04	2.04	2.47	-	8.60 (3.40-10.70)	2.162 (0.600-2.960)	9.49	99
18+22+22+42	1.85	1.85	1.85	3.04	-	8.60 (3.40-10.70)	2.162 (0.600-2.960)	9.49	99
18+22+22+50	1.66	1.66	1.66	3.62	-	8.60 (3.40-10.70)	2.152 (0.600-2.950)	9.45	99
18+22+22+60	1.59	1.59	1.59	3.82	-	8.60 (3.40-10.70)	2.142 (0.600-2.940)	9.41	99
18+22+25+25	2.06	2.06	2.24	2.24	-	8.60 (3.40-10.70)	2.172 (0.600-2.970)	9.54	99
18+22+25+35	2.00	2.00	2.18	2.42	-	8.60 (3.40-10.70)	2.162 (0.600-2.960)	9.49	99
18+22+25+42	1.82	1.82	1.98	2.98	-	8.60 (3.40-10.70)	2.162 (0.600-2.960)	9.49	99
18+22+25+50	1.63	1.63	1.78	3.56	-	8.60 (3.40-10.70)	2.152 (0.600-2.950)	9.45	99

# MXZ-4D72VA HEATING

Indoor units combination	Heating capacity (kW)						Outdoor unit power consumption(kW)	Current (A)	Power factor(%)
	Unit A	Unit B	Unit C	Unit D	Unit E	Total			
18+22+25+60	1.57	1.57	1.71	3.75	-	8.60 (3.40-10.70)	2.142 (0.600-2.940)	9.41	99
18+22+35+35	1.94	1.94	2.36	2.36	-	8.60 (3.40-10.70)	2.152 (0.600-2.950)	9.45	99
18+22+35+42	1.77	1.77	2.15	2.90	-	8.60 (3.40-10.70)	2.152 (0.600-2.950)	9.45	99
18+22+35+50	1.59	1.59	1.93	3.48	-	8.60 (3.40-10.70)	2.142 (0.600-2.940)	9.41	99
18+22+42+42	1.63	1.63	2.67	2.67	-	8.60 (3.40-10.70)	2.152 (0.600-2.950)	9.45	99
18+25+25+25	2.01	2.20	2.20	2.20	-	8.60 (3.40-10.70)	2.172 (0.600-2.970)	9.54	99
18+25+25+35	1.96	2.14	2.14	2.37	-	8.60 (3.40-10.70)	2.162 (0.600-2.960)	9.49	99
18+25+25+42	1.78	1.95	1.95	2.92	-	8.60 (3.40-10.70)	2.162 (0.600-2.960)	9.49	99
18+25+25+50	1.60	1.75	1.75	3.50	-	8.60 (3.40-10.70)	2.152 (0.600-2.950)	9.45	99
18+25+35+35	1.90	2.08	2.31	2.31	-	8.60 (3.40-10.70)	2.152 (0.600-2.950)	9.45	99
18+25+35+42	1.74	1.90	2.11	2.85	-	8.60 (3.40-10.70)	2.152 (0.600-2.950)	9.45	99
18+35+35+35	1.85	2.25	2.25	2.25	-	8.60 (3.40-10.70)	2.142 (0.600-2.940)	9.41	99
20+20+20+20	2.15	2.15	2.15	2.15	-	8.60 (3.40-10.70)	2.572 (0.880-3.370)	11.30	99
20+20+20+22	1.91	1.91	1.91	2.87	-	8.60 (3.40-10.70)	2.472 (0.810-3.270)	10.86	99
20+20+20+25	1.85	1.85	1.85	3.04	-	8.60 (3.40-10.70)	2.472 (0.810-3.340)	10.86	99
20+20+20+35	1.78	1.78	1.78	3.25	-	8.60 (3.40-10.70)	2.462 (0.810-3.395)	10.81	99
20+20+20+42	1.58	1.58	1.58	3.87	-	8.60 (3.40-10.70)	2.462 (0.810-3.395)	10.81	99
20+20+20+50	1.37	1.37	1.37	4.49	-	8.60 (3.40-10.70)	2.452 (0.810-3.385)	10.77	99
20+20+20+60	1.30	1.30	1.30	4.69	-	8.60 (3.40-10.70)	2.442 (0.810-3.375)	10.72	99
20+20+22+22	1.72	1.72	2.58	2.58	-	8.60 (3.40-10.70)	2.372 (0.740-3.170)	10.42	99
20+20+22+25	1.67	1.67	2.51	2.74	-	8.60 (3.40-10.70)	2.372 (0.740-3.240)	10.42	99
20+20+22+35	1.62	1.62	2.43	2.94	-	8.60 (3.40-10.70)	2.362 (0.740-3.250)	10.37	99
20+20+22+42	1.44	1.44	2.17	3.55	-	8.60 (3.40-10.70)	2.362 (0.740-3.250)	10.37	99
20+20+22+50	1.27	1.27	1.90	4.16	-	8.60 (3.40-10.70)	2.352 (0.740-3.240)	10.33	99
20+20+22+60	1.21	1.21	1.82	4.36	-	8.60 (3.40-10.70)	2.342 (0.740-3.230)	10.29	99
20+20+25+25	1.63	1.63	2.67	2.67	-	8.60 (3.40-10.70)	2.372 (0.740-3.260)	10.42	99
20+20+25+35	1.58	1.58	2.58	2.87	-	8.60 (3.40-10.70)	2.362 (0.740-3.250)	10.37	99
20+20+25+42	1.41	1.41	2.31	3.47	-	8.60 (3.40-10.70)	2.362 (0.740-3.250)	10.37	99
20+20+25+50	1.24	1.24	2.04	4.07	-	8.60 (3.40-10.70)	2.352 (0.740-3.240)	10.33	99
20+20+25+60	1.19	1.19	1.95	4.27	-	8.60 (3.40-10.70)	2.342 (0.740-3.230)	10.29	99
20+20+35+35	1.53	1.53	2.77	2.77	-	8.60 (3.40-10.70)	2.352 (0.740-3.240)	10.33	99
20+20+35+42	1.37	1.37	2.49	3.37	-	8.60 (3.40-10.70)	2.352 (0.740-3.240)	10.33	99
20+20+35+50	1.21	1.21	2.21	3.97	-	8.60 (3.40-10.70)	2.342 (0.740-3.230)	10.29	99
20+20+42+42	1.24	1.24	3.06	3.06	-	8.60 (3.40-10.70)	2.352 (0.740-3.240)	10.33	99
20+22+22+22	1.56	2.35	2.35	2.35	-	8.60 (3.40-10.70)	2.272 (0.670-3.070)	9.98	99
20+22+22+25	1.53	2.29	2.29	2.50	-	8.60 (3.40-10.70)	2.272 (0.670-3.115)	9.98	99
20+22+22+35	1.48	2.22	2.22	2.69	-	8.60 (3.40-10.70)	2.262 (0.670-3.105)	9.93	99
20+22+22+42	1.33	2.00	2.00	3.27	-	8.60 (3.40-10.70)	2.262 (0.670-3.105)	9.93	99
20+22+22+50	1.18	1.77	1.77	3.87	-	8.60 (3.40-10.70)	2.252 (0.670-3.095)	9.89	99
20+22+22+60	1.13	1.70	1.70	4.07	-	8.60 (3.40-10.70)	2.242 (0.670-3.085)	9.85	99
20+22+25+25	1.49	2.23	2.44	2.44	-	8.60 (3.40-10.70)	2.272 (0.670-3.115)	9.98	99

# MXZ-4D72VA HEATING

Indoor units combination	Heating capacity (kW)						Outdoor unit power consumption(kW)	Current (A)	Power factor(%)
	Unit A	Unit B	Unit C	Unit D	Unit E	Total			
20+22+25+35	1.44	2.17	2.36	2.63	-	8.60 (3.40-10.70)	2.262 (0.670-3.105)	9.93	99
20+22+25+42	1.30	1.96	2.14	3.20	-	8.60 (3.40-10.70)	2.262 (0.670-3.105)	9.93	99
20+22+25+50	1.16	1.74	1.90	3.80	-	8.60 (3.40-10.70)	2.252 (0.670-3.095)	9.89	99
20+22+35+35	1.40	2.10	2.55	2.55	-	8.60 (3.40-10.70)	2.252 (0.670-3.095)	9.89	99
20+22+35+42	1.27	1.90	2.31	3.12	-	8.60 (3.40-10.70)	2.252 (0.670-3.095)	9.89	99
20+25+25+25	1.46	2.38	2.38	2.38	-	8.60 (3.40-10.70)	2.272 (0.670-3.115)	9.98	99
20+25+25+35	1.41	2.31	2.31	2.57	-	8.60 (3.40-10.70)	2.262 (0.670-3.105)	9.93	99
20+25+25+42	1.28	2.09	2.09	3.14	-	8.60 (3.40-10.70)	2.262 (0.670-3.105)	9.93	99
20+25+25+50	1.14	1.87	1.87	3.73	-	8.60 (3.40-10.70)	2.252 (0.670-3.095)	9.89	99
20+25+35+35	1.37	2.24	2.49	2.49	-	8.60 (3.40-10.70)	2.252 (0.670-3.095)	9.89	99
20+25+35+42	1.24	2.04	2.26	3.06	-	8.60 (3.40-10.70)	2.252 (0.670-3.095)	9.89	99
20+35+35+35	1.33	2.42	2.42	2.42	-	8.60 (3.40-10.70)	2.242 (0.670-3.085)	9.85	99
22+22+22+22	2.15	2.15	2.15	2.15	-	8.60 (3.40-10.70)	2.172 (0.600-2.970)	9.54	99
22+22+22+25	2.10	2.10	2.10	2.29	-	8.60 (3.40-10.70)	2.172 (0.600-2.970)	9.54	99
22+22+22+35	2.04	2.04	2.04	2.47	-	8.60 (3.40-10.70)	2.162 (0.600-2.960)	9.49	99
22+22+22+42	1.85	1.85	1.85	3.04	-	8.60 (3.40-10.70)	2.162 (0.600-2.960)	9.49	99
22+22+22+50	1.66	1.66	1.66	3.62	-	8.60 (3.40-10.70)	2.152 (0.600-2.950)	9.45	99
22+22+25+25	2.06	2.06	2.24	2.24	-	8.60 (3.40-10.70)	2.172 (0.600-2.970)	9.54	99
22+22+25+35	2.00	2.00	2.18	2.42	-	8.60 (3.40-10.70)	2.162 (0.600-2.960)	9.49	99
22+22+25+42	1.82	1.82	1.98	2.98	-	8.60 (3.40-10.70)	2.162 (0.600-2.960)	9.49	99
22+22+25+50	1.63	1.63	1.78	3.56	-	8.60 (3.40-10.70)	2.152 (0.600-2.950)	9.45	99
22+22+35+35	1.94	1.94	2.36	2.36	-	8.60 (3.40-10.70)	2.152 (0.600-2.950)	9.45	99
22+22+35+42	1.77	1.77	2.15	2.90	-	8.60 (3.40-10.70)	2.152 (0.600-2.950)	9.45	99
22+25+25+25	2.01	2.20	2.20	2.20	-	8.60 (3.40-10.70)	2.172 (0.600-2.970)	9.54	99
22+25+25+35	1.96	2.14	2.14	2.37	-	8.60 (3.40-10.70)	2.162 (0.600-2.960)	9.49	99
22+25+25+42	1.78	1.95	1.95	2.92	-	8.60 (3.40-10.70)	2.162 (0.600-2.960)	9.49	99
22+25+25+50	1.60	1.75	1.75	3.50	-	8.60 (3.40-10.70)	2.152 (0.600-2.950)	9.45	99
22+25+35+35	1.90	2.08	2.31	2.31	-	8.60 (3.40-10.70)	2.152 (0.600-2.950)	9.45	99
22+25+35+42	1.74	1.90	2.11	2.85	-	8.60 (3.40-10.70)	2.152 (0.600-2.950)	9.45	99
25+25+25+25	2.15	2.15	2.15	2.15	-	8.60 (3.40-10.70)	2.172 (0.600-2.970)	9.54	99
25+25+25+35	2.09	2.09	2.09	2.32	-	8.60 (3.40-10.70)	2.162 (0.600-2.960)	9.49	99
25+25+25+42	1.91	1.91	1.91	2.87	-	8.60 (3.40-10.70)	2.162 (0.600-2.960)	9.49	99
25+25+25+50	1.72	1.72	1.72	3.44	-	8.60 (3.40-10.70)	2.152 (0.600-2.950)	9.45	99
25+25+35+35	2.04	2.04	2.26	2.26	-	8.60 (3.40-10.70)	2.152 (0.600-2.950)	9.45	99

# MXZ-4D83VA COOLING

Indoor units combination	Cooling capacity (kW)					Total	Outdoor unit power consumption(kW)	Current (A)	Power factor(%)
	Unit A	Unit B	Unit C	Unit D	Unit E				
15	1.50	-	-	-	-	1.50 (1.40-2.10)	0.540 (0.470-1.000)	2.37	99
18	1.80	-	-	-	-	1.80 (1.40-3.00)	0.560 (0.400-0.920)	2.46	99
20	2.00	-	-	-	-	2.00 (1.40-2.80)	0.720 (0.470-1.330)	3.16	99
22	2.20	-	-	-	-	2.20 (1.40-3.00)	0.680 (0.400-0.920)	2.99	99
25	2.50	-	-	-	-	2.50 (1.40-3.30)	0.760 (0.400-1.010)	3.34	99
35	3.50	-	-	-	-	3.50 (1.50-4.30)	1.030 (0.400-1.290)	4.52	99
42	4.20	-	-	-	-	4.20 (1.60-5.00)	1.230 (0.410-1.460)	5.40	99
50	5.00	-	-	-	-	5.00 (1.60-5.60)	1.440 (0.420-1.630)	6.32	99
60	6.00	-	-	-	-	6.00 (1.60-6.60)	1.880 (0.400-2.130)	8.26	99
71	7.10	-	-	-	-	7.10 (1.70-7.40)	2.340 (0.410-2.710)	10.28	99
15+15	1.50	1.50	-	-	-	3.00 (2.00-4.00)	0.750 (0.600-2.120)	3.29	99
15+18	1.50	1.80	-	-	-	3.30 (2.00-4.80)	0.838 (0.600-1.860)	3.68	99
15+20	1.50	2.00	-	-	-	3.50 (2.00-5.00)	1.003 (0.600-2.440)	4.40	99
15+22	1.50	2.20	-	-	-	3.70 (2.00-5.40)	0.991 (0.600-1.860)	4.35	99
15+25	1.50	2.50	-	-	-	4.00 (2.00-5.40)	1.067 (0.600-1.860)	4.69	99
15+35	1.50	3.50	-	-	-	5.00 (2.00-6.00)	1.400 (0.580-2.210)	6.15	99
15+42	1.50	4.20	-	-	-	5.70 (2.00-6.60)	1.665 (0.580-2.615)	7.31	99
15+50	1.50	5.00	-	-	-	6.50 (2.00-7.20)	2.040 (0.580-2.870)	8.96	99
15+60	1.50	6.00	-	-	-	7.50 (2.00-7.80)	2.609 (0.580-3.050)	11.46	99
15+71	1.36	6.44	-	-	-	7.80 (2.00-8.10)	2.805 (0.590-3.150)	12.32	99
18+18	1.80	1.80	-	-	-	3.60 (2.00-5.60)	0.925 (0.600-1.600)	4.06	99
18+20	1.80	2.00	-	-	-	3.80 (2.00-5.40)	1.056 (0.600-2.180)	4.64	99
18+22	1.80	2.20	-	-	-	4.00 (2.00-5.60)	1.027 (0.600-1.600)	4.51	99
18+25	1.80	2.50	-	-	-	4.30 (2.00-5.60)	1.104 (0.600-1.600)	4.85	99
18+35	1.80	3.50	-	-	-	5.30 (2.00-6.50)	1.495 (0.580-2.125)	6.57	99
18+42	1.80	4.20	-	-	-	6.00 (2.00-7.10)	1.760 (0.580-2.530)	7.73	99
18+50	1.80	5.00	-	-	-	6.80 (2.00-7.60)	2.144 (0.580-2.665)	9.42	99
18+60	1.78	5.92	-	-	-	7.70 (2.00-8.10)	2.710 (0.580-2.835)	11.90	99
18+71	1.58	6.22	-	-	-	7.80 (2.00-8.40)	2.758 (0.590-2.945)	12.11	99
20+20	2.00	2.00	-	-	-	4.00 (2.00-5.20)	1.187 (0.600-2.760)	5.21	99
20+22	2.00	2.20	-	-	-	4.20 (2.00-5.40)	1.159 (0.600-2.180)	5.09	99
20+25	2.00	2.50	-	-	-	4.50 (2.00-5.50)	1.248 (0.600-2.240)	5.48	99
20+35	2.00	3.50	-	-	-	5.50 (2.00-6.50)	1.665 (0.580-2.825)	7.31	99
20+42	2.00	4.20	-	-	-	6.20 (2.00-7.00)	1.936 (0.580-3.145)	8.50	99
20+50	2.00	5.00	-	-	-	7.00 (2.00-7.50)	2.320 (0.580-3.280)	10.19	99
20+60	1.93	5.78	-	-	-	7.70 (2.00-7.90)	2.810 (0.580-3.425)	12.34	99
20+71	1.71	6.09	-	-	-	7.80 (2.00-8.30)	2.833 (0.590-3.560)	12.44	99
22+22	2.20	2.20	-	-	-	4.40 (2.00-5.60)	1.130 (0.600-1.600)	4.96	99
22+25	2.20	2.50	-	-	-	4.70 (2.00-5.90)	1.245 (0.590-1.775)	5.47	99
22+35	2.20	3.50	-	-	-	5.70 (2.00-6.80)	1.675 (0.580-2.365)	7.36	99
22+42	2.20	4.20	-	-	-	6.40 (2.00-7.30)	1.952 (0.580-2.600)	8.57	99

# MXZ-4D83VA COOLING

Indoor units combination	Cooling capacity (kW)						Outdoor unit power consumption(kW)	Current (A)	Power factor(%)
	Unit A	Unit B	Unit C	Unit D	Unit E	Total			
22+50	2.20	5.00	-	-	-	7.20 (2.00-7.80)	2.371 (0.580-2.740)	10.41	99
22+60	2.09	5.71	-	-	-	7.80 (2.00-8.20)	2.750 (0.590-2.850)	12.08	99
22+71	1.87	6.03	-	-	-	7.90 (2.10-8.50)	2.748 (0.590-3.020)	12.07	99
25+25	2.50	2.50	-	-	-	5.00 (2.00-6.20)	1.360 (0.580-1.950)	5.97	99
25+35	2.50	3.50	-	-	-	6.00 (2.00-7.10)	1.810 (0.580-2.540)	7.95	99
25+42	2.50	4.20	-	-	-	6.70 (2.00-7.50)	2.096 (0.580-2.655)	9.21	99
25+50	2.50	5.00	-	-	-	7.50 (2.00-8.00)	2.569 (0.580-2.800)	11.28	99
25+60	2.29	5.51	-	-	-	7.80 (2.00-8.20)	2.768 (0.590-2.880)	12.16	99
25+71	2.06	5.84	-	-	-	7.90 (2.10-8.70)	2.740 (0.590-3.075)	12.03	99
35+35	3.50	3.50	-	-	-	7.00 (2.00-7.70)	2.290 (0.580-2.720)	10.06	99
35+42	3.50	4.20	-	-	-	7.70 (2.00-8.10)	2.700 (0.580-2.850)	11.86	99
35+50	3.21	4.59	-	-	-	7.80 (2.00-8.20)	2.768 (0.590-2.890)	12.16	99
35+60	2.91	4.99	-	-	-	7.90 (2.10-8.60)	2.743 (0.590-3.065)	12.05	99
35+71	2.61	5.29	-	-	-	7.90 (2.10-8.80)	2.667 (0.580-3.115)	11.71	99
42+42	3.90	3.90	-	-	-	7.80 (2.00-8.20)	2.720 (0.590-2.870)	11.95	99
42+50	3.61	4.29	-	-	-	7.90 (2.10-8.50)	2.700 (0.590-3.010)	11.86	99
42+71	2.97	5.03	-	-	-	8.00 (2.10-8.80)	2.544 (0.560-3.070)	11.17	99
50+50	3.95	3.95	-	-	-	7.90 (2.10-8.80)	2.680 (0.590-3.150)	11.77	99
50+60	3.64	4.36	-	-	-	8.00 (2.10-8.80)	2.575 (0.570-3.085)	11.31	99
50+71	3.31	4.69	-	-	-	8.00 (2.10-8.80)	2.470 (0.550-3.020)	10.85	99
60+60	4.00	4.00	-	-	-	8.00 (2.10-8.80)	2.470 (0.550-3.020)	10.85	99
60+71	3.66	4.34	-	-	-	8.00 (2.10-8.80)	2.470 (0.550-3.010)	10.85	99
15+15+15	1.50	1.50	1.50	-	-	4.50 (2.90-5.70)	1.306 (0.780-3.010)	5.74	99
15+15+18	1.50	1.50	1.80	-	-	4.80 (2.90-6.50)	1.345 (0.750-2.810)	5.91	99
15+15+20	1.50	1.50	2.00	-	-	5.00 (2.90-6.70)	1.438 (0.780-3.240)	6.32	99
15+15+22	1.50	1.50	2.20	-	-	5.20 (2.90-7.30)	1.450 (0.750-2.810)	6.37	99
15+15+25	1.50	1.50	2.50	-	-	5.50 (2.90-7.70)	1.529 (0.750-2.810)	6.71	99
15+15+35	1.50	1.50	3.50	-	-	6.50 (2.90-7.70)	1.794 (0.750-2.810)	7.88	99
15+15+42	1.50	1.50	4.20	-	-	7.20 (2.90-8.30)	2.067 (0.750-3.200)	9.08	99
15+15+50	1.43	1.43	4.75	-	-	7.60 (2.90-8.60)	2.213 (0.760-3.395)	9.72	99
15+15+60	1.30	1.30	5.20	-	-	7.80 (2.90-8.60)	2.230 (0.770-3.390)	9.79	99
15+15+71	1.17	1.17	5.55	-	-	7.90 (2.90-8.60)	2.261 (0.780-3.385)	9.93	99
15+18+18	1.50	1.80	1.80	-	-	5.10 (2.90-7.30)	1.384 (0.720-2.610)	6.08	99
15+18+20	1.50	1.80	2.00	-	-	5.30 (2.90-7.50)	1.477 (0.750-3.040)	6.49	99
15+18+22	1.50	1.80	2.20	-	-	5.50 (2.90-7.90)	1.489 (0.720-2.610)	6.54	99
15+18+25	1.50	1.80	2.50	-	-	5.80 (2.90-7.90)	1.568 (0.720-2.610)	6.89	99
15+18+35	1.50	1.80	3.50	-	-	6.80 (2.90-8.10)	1.869 (0.720-2.745)	8.21	99
15+18+42	1.50	1.80	4.20	-	-	7.50 (2.90-8.80)	2.160 (0.720-3.200)	9.49	99
15+18+60	1.26	1.51	5.03	-	-	7.80 (2.90-8.80)	2.204 (0.740-3.190)	9.68	99
15+18+71	1.15	1.38	5.46	-	-	8.00 (2.90-8.80)	2.235 (0.750-3.190)	9.82	99
15+20+20	1.50	2.00	2.00	-	-	5.50 (2.90-7.50)	1.569 (0.780-3.470)	6.89	99

## MXZ-4D83VA COOLING

Indoor units combination	Cooling capacity (kW)						Outdoor unit power consumption(kW)	Current (A)	Power factor(%)
	Unit A	Unit B	Unit C	Unit D	Unit E	Total			
15+20+22	1.50	2.00	2.20	-	-	5.70 (2.90-7.70)	1.582 (0.750-3.040)	6.95	99
15+20+25	1.50	2.00	2.50	-	-	6.00 (2.90-7.70)	1.661 (0.750-3.040)	7.29	99
15+20+35	1.50	2.00	3.50	-	-	7.00 (2.90-8.10)	1.998 (0.750-3.305)	8.77	99
15+20+42	1.46	1.95	4.09	-	-	7.50 (2.90-8.60)	2.209 (0.750-3.630)	9.70	99
15+20+50	1.36	1.81	4.53	-	-	7.70 (2.90-8.60)	2.237 (0.760-3.625)	9.82	99
15+20+60	1.23	1.64	4.93	-	-	7.80 (2.90-8.60)	2.253 (0.770-3.625)	9.89	99
15+20+71	1.13	1.51	5.36	-	-	8.00 (2.90-8.60)	2.280 (0.780-3.620)	10.01	99
15+22+22	1.50	2.20	2.20	-	-	5.90 (2.90-7.90)	1.595 (0.720-2.610)	7.00	99
15+22+25	1.50	2.20	2.50	-	-	6.20 (2.90-7.90)	1.674 (0.720-2.610)	7.35	99
15+22+35	1.50	2.20	3.50	-	-	7.20 (2.90-8.50)	2.047 (0.720-3.010)	8.99	99
15+22+42	1.44	2.12	4.04	-	-	7.60 (2.90-8.80)	2.179 (0.720-3.205)	9.57	99
15+22+50	1.33	1.95	4.43	-	-	7.70 (2.90-8.80)	2.206 (0.730-3.200)	9.69	99
15+22+60	1.22	1.79	4.89	-	-	7.90 (2.90-8.80)	2.223 (0.740-3.195)	9.76	99
15+22+71	1.11	1.63	5.26	-	-	8.00 (2.90-8.80)	2.240 (0.750-3.195)	9.84	99
15+25+25	1.50	2.50	2.50	-	-	6.50 (2.90-7.90)	1.754 (0.720-2.610)	7.70	99
15+25+35	1.50	2.50	3.50	-	-	7.50 (2.90-8.80)	2.180 (0.720-3.210)	9.57	99
15+25+42	1.39	2.32	3.89	-	-	7.60 (2.90-8.80)	2.193 (0.730-3.205)	9.63	99
15+25+50	1.30	2.17	4.33	-	-	7.80 (2.90-8.80)	2.220 (0.740-3.200)	9.75	99
15+25+60	1.19	1.98	4.74	-	-	7.90 (2.90-8.80)	2.237 (0.750-3.195)	9.82	99
15+25+71	1.08	1.80	5.12	-	-	8.00 (2.90-8.80)	2.240 (0.740-3.200)	9.84	99
15+35+35	1.36	3.17	3.17	-	-	7.70 (2.90-8.80)	2.227 (0.730-3.215)	9.78	99
15+35+42	1.27	2.97	3.56	-	-	7.80 (2.90-8.80)	2.239 (0.740-3.210)	9.83	99
15+35+50	1.19	2.77	3.95	-	-	7.90 (2.90-8.80)	2.267 (0.750-3.205)	9.96	99
15+35+60	1.09	2.55	4.36	-	-	8.00 (2.90-8.80)	2.260 (0.740-3.210)	9.93	99
15+35+71	0.99	2.31	4.69	-	-	8.00 (2.90-8.80)	2.240 (0.730-3.220)	9.84	99
15+42+42	1.20	3.35	3.35	-	-	7.90 (2.90-8.80)	2.252 (0.740-3.205)	9.89	99
15+42+50	1.12	3.14	3.74	-	-	8.00 (2.90-8.80)	2.270 (0.750-3.205)	9.97	99
15+42+60	1.03	2.87	4.10	-	-	8.00 (2.90-8.80)	2.240 (0.730-3.215)	9.84	99
15+42+71	0.94	2.63	4.44	-	-	8.00 (2.90-8.80)	2.220 (0.720-3.215)	9.75	99
15+50+50	1.04	3.48	3.48	-	-	8.00 (2.90-8.80)	2.260 (0.740-3.210)	9.93	99
15+50+60	0.96	3.20	3.84	-	-	8.00 (2.90-8.80)	2.230 (0.720-3.220)	9.79	99
15+50+71	0.88	2.94	4.18	-	-	8.00 (2.90-8.80)	2.210 (0.730-3.195)	9.71	99
15+60+60	0.89	3.56	3.56	-	-	8.00 (2.90-8.80)	2.200 (0.730-3.195)	9.66	99
18+18+18	1.80	1.80	1.80	-	-	5.40 (2.90-8.10)	1.423 (0.690-2.410)	6.25	99
18+18+20	1.80	1.80	2.00	-	-	5.60 (2.90-7.90)	1.516 (0.720-2.840)	6.66	99
18+18+22	1.80	1.80	2.20	-	-	5.80 (2.90-8.10)	1.528 (0.690-2.410)	6.71	99
18+18+25	1.80	1.80	2.50	-	-	6.10 (2.90-8.10)	1.608 (0.690-2.410)	7.06	99
18+18+35	1.80	1.80	3.50	-	-	7.10 (2.90-8.60)	1.962 (0.690-2.745)	8.62	99
18+18+42	1.75	1.75	4.09	-	-	7.60 (2.90-9.00)	2.134 (0.690-3.000)	9.37	99
18+18+50	1.61	1.61	4.48	-	-	7.70 (2.90-9.00)	2.161 (0.700-2.995)	9.49	99
18+18+60	1.48	1.48	4.94	-	-	7.90 (2.90-9.00)	2.178 (0.710-2.995)	9.57	99

# MXZ-4D83VA COOLING

Indoor units combination	Cooling capacity (kW)						Outdoor unit power consumption(kW)	Current (A)	Power factor(%)
	Unit A	Unit B	Unit C	Unit D	Unit E	Total			
18+18+71	1.35	1.35	5.31	-	-	8.00 (2.90-9.00)	2.200 (0.720-2.995)	9.66	99
18+20+20	1.80	2.00	2.00	-	-	5.80 (2.90-7.70)	1.608 (0.750-3.270)	7.06	99
18+20+22	1.80	2.00	2.20	-	-	6.00 (2.90-7.90)	1.621 (0.720-2.840)	7.12	99
18+20+25	1.80	2.00	2.50	-	-	6.30 (2.90-7.90)	1.701 (0.720-2.840)	7.47	99
18+20+35	1.80	2.00	3.50	-	-	7.30 (2.90-8.60)	2.091 (0.720-3.305)	9.18	99
18+20+42	1.71	1.90	3.99	-	-	7.60 (2.90-8.80)	2.183 (0.730-3.435)	9.59	99
18+20+50	1.58	1.75	4.38	-	-	7.70 (2.90-8.80)	2.211 (0.730-3.430)	9.71	99
18+20+60	1.45	1.61	4.84	-	-	7.90 (2.90-8.80)	2.227 (0.740-3.425)	9.78	99
18+20+71	1.32	1.47	5.21	-	-	8.00 (2.90-8.80)	2.240 (0.740-3.430)	9.84	99
18+22+22	1.80	2.20	2.20	-	-	6.20 (2.90-8.10)	1.634 (0.690-2.410)	7.18	99
18+22+25	1.80	2.20	2.50	-	-	6.50 (2.90-8.10)	1.714 (0.690-2.410)	7.53	99
18+22+35	1.80	2.20	3.50	-	-	7.50 (2.90-9.00)	2.140 (0.690-3.010)	9.40	99
18+22+42	1.67	2.04	3.89	-	-	7.60 (2.90-9.00)	2.153 (0.700-3.005)	9.46	99
18+22+50	1.56	1.91	4.33	-	-	7.80 (2.90-9.00)	2.180 (0.710-3.000)	9.57	99
18+22+60	1.42	1.74	4.74	-	-	7.90 (2.90-9.00)	2.197 (0.720-2.995)	9.65	99
18+22+71	1.30	1.59	5.12	-	-	8.00 (2.90-9.00)	2.200 (0.710-3.000)	9.66	99
18+25+25	1.80	2.50	2.50	-	-	6.80 (2.90-8.30)	1.829 (0.690-2.545)	8.03	99
18+25+35	1.75	2.44	3.41	-	-	7.60 (2.90-9.00)	2.154 (0.690-3.010)	9.46	99
18+25+42	1.63	2.26	3.80	-	-	7.70 (2.90-9.00)	2.167 (0.700-3.005)	9.52	99
18+25+50	1.51	2.10	4.19	-	-	7.80 (2.90-9.00)	2.194 (0.710-3.000)	9.64	99
18+25+60	1.40	1.94	4.66	-	-	8.00 (2.90-9.00)	2.211 (0.720-3.000)	9.71	99
18+25+71	1.26	1.75	4.98	-	-	8.00 (2.90-9.00)	2.200 (0.710-3.005)	9.66	99
18+35+35	1.58	3.06	3.06	-	-	7.70 (2.90-9.00)	2.201 (0.700-3.020)	9.67	99
18+35+42	1.48	2.87	3.45	-	-	7.80 (2.90-9.00)	2.213 (0.710-3.015)	9.72	99
18+35+50	1.40	2.72	3.88	-	-	8.00 (2.90-9.00)	2.241 (0.720-3.010)	9.84	99
18+35+60	1.27	2.48	4.25	-	-	8.00 (2.90-9.00)	2.220 (0.710-3.015)	9.75	99
18+35+71	1.16	2.26	4.58	-	-	8.00 (2.90-9.00)	2.200 (0.690-3.025)	9.66	99
18+42+42	1.41	3.29	3.29	-	-	8.00 (2.90-9.00)	2.226 (0.720-3.010)	9.78	99
18+42+50	1.31	3.05	3.64	-	-	8.00 (2.90-9.00)	2.230 (0.710-3.010)	9.79	99
18+42+60	1.20	2.80	4.00	-	-	8.00 (2.90-9.00)	2.200 (0.700-3.020)	9.66	99
18+42+71	1.10	2.56	4.34	-	-	8.00 (2.90-9.00)	2.180 (0.700-3.010)	9.57	99
18+50+50	1.22	3.39	3.39	-	-	8.00 (2.90-9.00)	2.220 (0.700-3.015)	9.75	99
18+50+60	1.13	3.13	3.75	-	-	8.00 (2.90-9.00)	2.190 (0.690-3.015)	9.62	99
18+50+71	1.04	2.88	4.09	-	-	8.00 (2.90-9.00)	2.170 (0.710-2.990)	9.53	99
18+60+60	1.04	3.48	3.48	-	-	8.00 (2.90-9.00)	2.160 (0.710-2.990)	9.49	99
20+20+20	2.00	2.00	2.00	-	-	6.00 (2.90-7.50)	1.701 (0.780-3.700)	7.47	99
20+20+22	2.00	2.00	2.20	-	-	6.20 (2.90-7.70)	1.714 (0.750-3.270)	7.53	99
20+20+25	2.00	2.00	2.50	-	-	6.50 (2.90-7.70)	1.794 (0.750-3.270)	7.88	99
20+20+35	2.00	2.00	3.50	-	-	7.50 (2.90-8.60)	2.220 (0.750-3.870)	9.75	99
20+20+42	1.85	1.85	3.89	-	-	7.60 (2.90-8.60)	2.233 (0.760-3.865)	9.81	99
20+20+50	1.73	1.73	4.33	-	-	7.80 (2.90-8.60)	2.260 (0.770-3.860)	9.93	99



# MXZ-4D83VA COOLING

Indoor units combination	Cooling capacity (kW)						Outdoor unit power consumption(kW)	Current (A)	Power factor(%)
	Unit A	Unit B	Unit C	Unit D	Unit E	Total			
20+20+60	1.58	1.58	4.74	-	-	7.90 (2.90-8.60)	2.277 (0.780-3.855)	10.00	99
20+20+71	1.44	1.44	5.12	-	-	8.00 (2.90-8.60)	2.280 (0.770-3.860)	10.01	99
20+22+22	2.00	2.20	2.20	-	-	6.40 (2.90-7.90)	1.727 (0.720-2.840)	7.58	99
20+22+25	2.00	2.20	2.50	-	-	6.70 (2.90-8.00)	1.824 (0.720-2.905)	8.01	99
20+22+35	1.95	2.14	3.41	-	-	7.50 (2.90-8.80)	2.189 (0.720-3.440)	9.61	99
20+22+42	1.83	2.02	3.85	-	-	7.70 (2.90-8.80)	2.202 (0.730-3.435)	9.67	99
20+22+50	1.70	1.87	4.24	-	-	7.80 (2.90-8.80)	2.229 (0.740-3.430)	9.79	99
20+22+60	1.57	1.73	4.71	-	-	8.00 (2.90-8.80)	2.246 (0.750-3.430)	9.86	99
20+22+71	1.42	1.56	5.03	-	-	8.00 (2.90-8.80)	2.240 (0.740-3.435)	9.84	99
20+25+25	2.00	2.50	2.50	-	-	7.00 (2.90-8.30)	1.958 (0.720-3.105)	8.60	99
20+25+35	1.90	2.38	3.33	-	-	7.60 (2.90-8.80)	2.203 (0.730-3.445)	9.68	99
20+25+42	1.77	2.21	3.72	-	-	7.70 (2.90-8.80)	2.216 (0.730-3.440)	9.73	99
20+25+50	1.64	2.05	4.11	-	-	7.80 (2.90-8.80)	2.243 (0.740-3.435)	9.85	99
20+25+60	1.52	1.90	4.57	-	-	8.00 (2.90-8.80)	2.260 (0.750-3.430)	9.93	99
20+25+71	1.38	1.72	4.90	-	-	8.00 (2.90-8.80)	2.240 (0.730-3.440)	9.84	99
20+35+35	1.73	3.03	3.03	-	-	7.80 (2.90-8.80)	2.250 (0.740-3.450)	9.88	99
20+35+42	1.63	2.85	3.42	-	-	7.90 (2.90-8.80)	2.263 (0.740-3.445)	9.94	99
20+35+50	1.52	2.67	3.81	-	-	8.00 (2.90-8.80)	2.290 (0.750-3.440)	10.06	99
20+35+60	1.39	2.43	4.17	-	-	8.00 (2.90-8.80)	2.260 (0.740-3.450)	9.93	99
20+35+71	1.27	2.22	4.51	-	-	8.00 (2.90-8.80)	2.240 (0.720-3.460)	9.84	99
20+42+42	1.54	3.23	3.23	-	-	8.00 (2.90-8.80)	2.275 (0.750-3.440)	9.99	99
20+42+50	1.43	3.00	3.57	-	-	8.00 (2.90-8.80)	2.270 (0.740-3.445)	9.97	99
20+42+60	1.31	2.75	3.93	-	-	8.00 (2.90-8.80)	2.240 (0.730-3.450)	9.84	99
20+42+71	1.20	2.53	4.27	-	-	8.00 (2.90-8.80)	2.220 (0.730-3.440)	9.75	99
20+50+50	1.33	3.33	3.33	-	-	8.00 (2.90-8.80)	2.260 (0.730-3.450)	9.93	99
20+50+60	1.23	3.08	3.69	-	-	8.00 (2.90-8.80)	2.230 (0.730-3.445)	9.79	99
20+50+71	1.13	2.84	4.03	-	-	8.00 (2.90-8.80)	2.210 (0.740-3.415)	9.71	99
20+60+60	1.14	3.43	3.43	-	-	8.00 (2.90-8.80)	2.200 (0.740-3.415)	9.66	99
22+22+22	2.20	2.20	2.20	-	-	6.60 (2.90-8.10)	1.740 (0.690-2.410)	7.64	99
22+22+25	2.20	2.20	2.50	-	-	6.90 (2.90-8.40)	1.873 (0.690-2.610)	8.23	99
22+22+35	2.12	2.12	3.37	-	-	7.60 (2.90-9.00)	2.159 (0.690-3.015)	9.48	99
22+22+42	1.97	1.97	3.76	-	-	7.70 (2.90-9.00)	2.171 (0.700-3.005)	9.53	99
22+22+50	1.83	1.83	4.15	-	-	7.80 (2.90-9.00)	2.199 (0.710-3.005)	9.66	99
22+22+60	1.69	1.69	4.62	-	-	8.00 (2.90-9.00)	2.215 (0.720-3.000)	9.73	99
22+22+71	1.53	1.53	4.94	-	-	8.00 (2.90-9.00)	2.200 (0.710-3.010)	9.66	99
22+25+25	2.20	2.50	2.50	-	-	7.20 (2.90-8.70)	2.007 (0.690-2.810)	8.81	99
22+25+35	2.04	2.32	3.24	-	-	7.60 (2.90-9.00)	2.173 (0.700-3.015)	9.54	99
22+25+42	1.90	2.16	3.63	-	-	7.70 (2.90-9.00)	2.185 (0.700-3.010)	9.60	99
22+25+50	1.79	2.04	4.07	-	-	7.90 (2.90-9.00)	2.213 (0.710-3.005)	9.72	99
22+25+60	1.64	1.87	4.49	-	-	8.00 (2.90-9.00)	2.220 (0.720-3.005)	9.75	99
22+25+71	1.49	1.69	4.81	-	-	8.00 (2.90-9.00)	2.200 (0.700-3.015)	9.66	99

# MXZ-4D83VA COOLING

Indoor units combination	Cooling capacity (kW)						Outdoor unit power consumption(kW)	Current (A)	Power factor(%)
	Unit A	Unit B	Unit C	Unit D	Unit E	Total			
22+35+35	1.87	2.97	2.97	-	-	7.80 (2.90-9.00)	2.219 (0.710-3.020)	9.75	99
22+35+42	1.76	2.79	3.35	-	-	7.90 (2.90-9.00)	2.232 (0.710-3.015)	9.80	99
22+35+50	1.64	2.62	3.74	-	-	8.00 (2.90-9.00)	2.250 (0.720-3.015)	9.88	99
22+35+60	1.50	2.39	4.10	-	-	8.00 (2.90-9.00)	2.220 (0.700-3.025)	9.75	99
22+35+71	1.38	2.19	4.44	-	-	8.00 (2.90-9.00)	2.200 (0.690-3.025)	9.66	99
22+42+42	1.66	3.17	3.17	-	-	8.00 (2.90-9.00)	2.240 (0.720-3.010)	9.84	99
22+42+50	1.54	2.95	3.51	-	-	8.00 (2.90-9.00)	2.230 (0.710-3.015)	9.79	99
22+42+60	1.42	2.71	3.87	-	-	8.00 (2.90-9.00)	2.200 (0.690-3.025)	9.66	99
22+42+71	1.30	2.49	4.21	-	-	8.00 (2.90-9.00)	2.180 (0.700-3.005)	9.57	99
22+50+50	1.44	3.28	3.28	-	-	8.00 (2.90-9.00)	2.220 (0.700-3.020)	9.75	99
22+50+60	1.33	3.03	3.64	-	-	8.00 (2.90-9.00)	2.190 (0.700-3.010)	9.62	99
22+50+71	1.23	2.80	3.97	-	-	8.00 (2.90-9.00)	2.170 (0.710-2.980)	9.53	99
22+60+60	1.24	3.38	3.38	-	-	8.00 (2.90-9.00)	2.160 (0.710-2.985)	9.49	99
25+25+25	2.50	2.50	2.50	-	-	7.50 (2.90-9.00)	2.140 (0.690-3.010)	9.40	99
25+25+35	2.26	2.26	3.17	-	-	7.70 (2.90-9.00)	2.187 (0.700-3.015)	9.60	99
25+25+42	2.12	2.12	3.56	-	-	7.80 (2.90-9.00)	2.199 (0.710-3.010)	9.66	99
25+25+50	1.98	1.98	3.95	-	-	7.90 (2.90-9.00)	2.227 (0.720-3.005)	9.78	99
25+25+60	1.82	1.82	4.36	-	-	8.00 (2.90-9.00)	2.220 (0.710-3.010)	9.75	99
25+25+71	1.65	1.65	4.69	-	-	8.00 (2.90-9.00)	2.200 (0.700-3.020)	9.66	99
25+35+35	2.05	2.87	2.87	-	-	7.80 (2.90-9.00)	2.233 (0.710-3.025)	9.81	99
25+35+42	1.96	2.75	3.29	-	-	8.00 (2.90-9.00)	2.246 (0.720-3.020)	9.86	99
25+35+50	1.82	2.55	3.64	-	-	8.00 (2.90-9.00)	2.250 (0.710-3.020)	9.88	99
25+35+60	1.67	2.33	4.00	-	-	8.00 (2.90-9.00)	2.220 (0.700-3.030)	9.75	99
25+35+71	1.53	2.14	4.34	-	-	8.00 (2.90-9.00)	2.200 (0.700-3.020)	9.66	99
25+42+42	1.83	3.08	3.08	-	-	8.00 (2.90-9.00)	2.240 (0.710-3.020)	9.84	99
25+42+50	1.71	2.87	3.42	-	-	8.00 (2.90-9.00)	2.230 (0.700-3.025)	9.79	99
25+42+60	1.57	2.65	3.78	-	-	8.00 (2.90-9.00)	2.200 (0.690-3.030)	9.66	99
25+42+71	1.45	2.43	4.12	-	-	8.00 (2.90-9.00)	2.180 (0.710-3.000)	9.57	99
25+50+50	1.60	3.20	3.20	-	-	8.00 (2.90-9.00)	2.220 (0.690-3.030)	9.75	99
25+50+60	1.48	2.96	3.56	-	-	8.00 (2.90-9.00)	2.190 (0.700-3.005)	9.62	99
25+60+60	1.38	3.31	3.31	-	-	8.00 (2.90-9.00)	2.160 (0.710-2.980)	9.49	99
35+35+35	2.67	2.67	2.67	-	-	8.00 (2.90-9.00)	2.280 (0.720-3.030)	10.01	99
35+35+42	2.50	2.50	3.00	-	-	8.00 (2.90-9.00)	2.260 (0.710-3.035)	9.93	99
35+35+50	2.33	2.33	3.33	-	-	8.00 (2.90-9.00)	2.250 (0.700-3.040)	9.88	99
35+35+60	2.15	2.15	3.69	-	-	8.00 (2.90-9.00)	2.220 (0.700-3.035)	9.75	99
35+35+71	1.99	1.99	4.03	-	-	8.00 (2.90-9.00)	2.200 (0.710-3.005)	9.66	99
35+42+42	2.35	2.82	2.82	-	-	8.00 (2.90-9.00)	2.240 (0.700-3.035)	9.84	99
35+42+50	2.20	2.65	3.15	-	-	8.00 (2.90-9.00)	2.230 (0.690-3.040)	9.79	99
35+42+60	2.04	2.45	3.50	-	-	8.00 (2.90-9.00)	2.200 (0.700-3.010)	9.66	99
35+50+50	2.07	2.96	2.96	-	-	8.00 (2.90-9.00)	2.220 (0.700-3.015)	9.75	99
35+50+60	1.93	2.76	3.31	-	-	8.00 (2.90-9.00)	2.190 (0.710-2.990)	9.62	99

# MXZ-4D83VA COOLING

Indoor units combination	Cooling capacity (kW)						Outdoor unit power consumption(kW)	Current (A)	Power factor(%)
	Unit A	Unit B	Unit C	Unit D	Unit E	Total			
42+42+42	2.67	2.67	2.67	-	-	8.00 (2.90-9.00)	2.220 (0.690-3.040)	9.75	99
42+42+50	2.51	2.51	2.99	-	-	8.00 (2.90-9.00)	2.210 (0.700-3.015)	9.71	99
42+42+60	2.33	2.33	3.33	-	-	8.00 (2.90-9.00)	2.180 (0.710-2.990)	9.57	99
42+50+50	2.37	2.82	2.82	-	-	8.00 (2.90-9.00)	2.200 (0.710-2.995)	9.66	99
15+15+15+15	1.50	1.50	1.50	1.50	-	6.00 (3.70-6.40)	1.405 (0.930-3.195)	6.17	99
15+15+15+18	1.50	1.50	1.50	1.80	-	6.30 (3.70-7.10)	1.655 (0.900-3.195)	7.27	99
15+15+15+20	1.48	1.48	1.48	1.97	-	6.40 (3.70-7.20)	1.582 (0.930-3.265)	6.95	99
15+15+15+22	1.50	1.50	1.50	2.20	-	6.70 (3.70-7.80)	1.789 (0.900-3.195)	7.86	99
15+15+15+25	1.50	1.50	1.50	2.50	-	7.00 (3.70-8.30)	1.889 (0.900-3.195)	8.30	99
15+15+15+35	1.50	1.50	1.50	3.50	-	8.00 (3.70-8.60)	2.224 (0.900-3.195)	9.77	99
15+15+15+42	1.43	1.43	1.43	4.01	-	8.30 (3.70-8.60)	2.304 (0.900-3.185)	10.12	99
15+15+15+50	1.31	1.31	1.31	4.37	-	8.30 (3.70-8.60)	2.294 (0.900-3.175)	10.07	99
15+15+15+60	1.19	1.19	1.19	4.74	-	8.30 (3.70-8.60)	2.264 (0.900-3.165)	9.94	99
15+15+15+71	1.07	1.07	1.07	5.08	-	8.30 (3.70-8.60)	2.244 (0.900-3.155)	9.86	99
15+15+18+18	1.50	1.50	1.80	1.80	-	6.60 (3.70-7.80)	1.906 (0.870-3.195)	8.37	99
15+15+18+20	1.48	1.48	1.77	1.97	-	6.70 (3.70-7.90)	1.832 (0.900-3.265)	8.05	99
15+15+18+22	1.50	1.50	1.80	2.20	-	7.00 (3.70-8.50)	2.039 (0.870-3.195)	8.95	99
15+15+18+25	1.50	1.50	1.80	2.50	-	7.30 (3.70-8.80)	2.140 (0.870-3.195)	9.40	99
15+15+18+42	1.38	1.38	1.66	3.87	-	8.30 (3.70-8.80)	2.454 (0.870-3.185)	10.78	99
15+15+18+50	1.27	1.27	1.52	4.23	-	8.30 (3.70-8.80)	2.444 (0.870-3.175)	10.73	99
15+15+18+60	1.15	1.15	1.38	4.61	-	8.30 (3.70-8.80)	2.414 (0.870-3.165)	10.60	99
15+15+18+71	1.05	1.05	1.26	4.95	-	8.30 (3.70-8.80)	2.394 (0.870-3.155)	10.51	99
15+15+20+20	1.46	1.46	1.94	1.94	-	6.80 (3.70-8.10)	1.759 (0.930-3.335)	7.73	99
15+15+20+22	1.48	1.48	1.97	2.17	-	7.10 (3.70-8.60)	1.966 (0.900-3.265)	8.63	99
15+15+20+25	1.48	1.48	1.97	2.47	-	7.40 (3.70-8.60)	2.067 (0.900-3.265)	9.08	99
15+15+20+35	1.45	1.45	1.93	3.38	-	8.20 (3.70-8.60)	2.334 (0.900-3.265)	10.25	99
15+15+20+42	1.34	1.34	1.78	3.74	-	8.20 (3.70-8.60)	2.314 (0.900-3.255)	10.16	99
15+15+20+50	1.23	1.23	1.64	4.10	-	8.20 (3.70-8.60)	2.304 (0.900-3.245)	10.12	99
15+15+20+60	1.12	1.12	1.49	4.47	-	8.20 (3.70-8.60)	2.274 (0.900-3.235)	9.99	99
15+15+20+71	1.02	1.02	1.36	4.81	-	8.20 (3.70-8.60)	2.254 (0.900-3.225)	9.90	99
15+15+22+22	1.50	1.50	2.20	2.20	-	7.40 (3.70-8.80)	2.173 (0.870-3.195)	9.54	99
15+15+22+25	1.50	1.50	2.20	2.50	-	7.70 (3.70-8.80)	2.274 (0.870-3.195)	9.99	99
15+15+22+35	1.43	1.43	2.10	3.34	-	8.30 (3.70-8.80)	2.474 (0.870-3.195)	10.87	99
15+15+22+42	1.32	1.32	1.94	3.71	-	8.30 (3.70-8.80)	2.454 (0.870-3.185)	10.78	99
15+15+22+50	1.22	1.22	1.79	4.07	-	8.30 (3.70-8.80)	2.444 (0.870-3.175)	10.73	99
15+15+22+60	1.11	1.11	1.63	4.45	-	8.30 (3.70-8.80)	2.414 (0.870-3.165)	10.60	99
15+15+22+71	1.01	1.01	1.48	4.79	-	8.30 (3.70-8.80)	2.394 (0.870-3.155)	10.51	99
15+15+25+25	1.50	1.50	2.50	2.50	-	8.00 (3.70-8.80)	2.374 (0.870-3.195)	10.43	99
15+15+25+35	1.38	1.38	2.31	3.23	-	8.30 (3.70-8.80)	2.474 (0.870-3.195)	10.87	99
15+15+25+42	1.28	1.28	2.14	3.59	-	8.30 (3.70-8.80)	2.454 (0.870-3.185)	10.78	99
15+15+25+50	1.19	1.19	1.98	3.95	-	8.30 (3.70-8.80)	2.444 (0.870-3.175)	10.73	99

# MXZ-4D83VA COOLING

Indoor units combination	Cooling capacity (kW)						Outdoor unit power consumption(kW)	Current (A)	Power factor(%)
	Unit A	Unit B	Unit C	Unit D	Unit E	Total			
15+15+25+60	1.08	1.08	1.80	4.33	-	8.30 (3.70-8.80)	2.414 (0.870-3.165)	10.60	99
15+15+25+71	0.99	0.99	1.65	4.68	-	8.30 (3.70-8.80)	2.394 (0.870-3.155)	10.51	99
15+15+35+35	1.25	1.25	2.91	2.91	-	8.30 (3.70-8.80)	2.474 (0.870-3.195)	10.87	99
15+15+35+42	1.16	1.16	2.71	3.26	-	8.30 (3.70-8.80)	2.454 (0.870-3.185)	10.78	99
15+15+35+50	1.08	1.08	2.53	3.61	-	8.30 (3.70-8.80)	2.444 (0.870-3.175)	10.73	99
15+15+35+60	1.00	1.00	2.32	3.98	-	8.30 (3.70-8.80)	2.414 (0.870-3.165)	10.60	99
15+15+35+71	0.92	0.92	2.14	4.33	-	8.30 (3.70-8.80)	2.394 (0.870-3.155)	10.51	99
15+15+42+42	1.09	1.09	3.06	3.06	-	8.30 (3.70-8.80)	2.434 (0.870-3.175)	10.69	99
15+15+42+50	1.02	1.02	2.86	3.40	-	8.30 (3.70-8.80)	2.424 (0.870-3.165)	10.65	99
15+15+42+60	0.94	0.94	2.64	3.77	-	8.30 (3.70-8.80)	2.394 (0.870-3.155)	10.51	99
15+15+42+71	0.87	0.87	2.44	4.12	-	8.30 (3.70-8.80)	2.374 (0.870-3.145)	10.43	99
15+15+50+50	0.96	0.96	3.19	3.19	-	8.30 (3.70-8.80)	2.414 (0.870-3.155)	10.60	99
15+15+50+60	0.89	0.89	2.96	3.56	-	8.30 (3.70-8.80)	2.384 (0.870-3.145)	10.47	99
15+18+18+18	1.50	1.80	1.80	1.80	-	6.90 (3.70-8.50)	2.156 (0.840-3.195)	9.47	99
15+18+18+20	1.48	1.77	1.77	1.97	-	7.00 (3.70-8.60)	2.083 (0.870-3.265)	9.15	99
15+18+18+22	1.50	1.80	1.80	2.20	-	7.30 (3.70-9.00)	2.290 (0.840-3.195)	10.06	99
15+18+18+25	1.50	1.80	1.80	2.50	-	7.60 (3.70-9.00)	2.390 (0.840-3.195)	10.50	99
15+18+18+35	1.45	1.74	1.74	3.38	-	8.30 (3.70-9.00)	2.624 (0.840-3.195)	11.52	99
15+18+18+42	1.34	1.61	1.61	3.75	-	8.30 (3.70-9.00)	2.604 (0.840-3.185)	11.44	99
15+18+18+50	1.23	1.48	1.48	4.11	-	8.30 (3.70-9.00)	2.594 (0.840-3.175)	11.39	99
15+18+18+60	1.12	1.35	1.35	4.49	-	8.30 (3.70-9.00)	2.564 (0.840-3.165)	11.26	99
15+18+18+71	1.02	1.22	1.22	4.83	-	8.30 (3.70-9.00)	2.544 (0.840-3.155)	11.17	99
15+18+20+20	1.46	1.75	1.95	1.95	-	7.10 (3.70-8.60)	2.010 (0.900-3.335)	8.83	99
15+18+20+22	1.48	1.78	1.97	2.17	-	7.40 (3.70-8.80)	2.217 (0.870-3.265)	9.74	99
15+18+20+25	1.48	1.78	1.97	2.47	-	7.70 (3.70-8.80)	2.317 (0.870-3.265)	10.18	99
15+18+20+35	1.40	1.68	1.86	3.26	-	8.20 (3.70-8.80)	2.484 (0.870-3.265)	10.91	99
15+18+20+42	1.29	1.55	1.73	3.63	-	8.20 (3.70-8.80)	2.464 (0.870-3.255)	10.82	99
15+18+20+50	1.19	1.43	1.59	3.98	-	8.20 (3.70-8.80)	2.454 (0.870-3.245)	10.78	99
15+18+20+60	1.09	1.31	1.45	4.35	-	8.20 (3.70-8.80)	2.424 (0.870-3.235)	10.65	99
15+18+20+71	0.99	1.19	1.32	4.70	-	8.20 (3.70-8.80)	2.404 (0.870-3.225)	10.56	99
15+18+22+22	1.50	1.80	2.20	2.20	-	7.70 (3.70-9.00)	2.424 (0.840-3.195)	10.65	99
15+18+22+25	1.50	1.80	2.20	2.50	-	8.00 (3.70-9.00)	2.524 (0.840-3.195)	11.08	99
15+18+22+35	1.38	1.66	2.03	3.23	-	8.30 (3.70-9.00)	2.624 (0.840-3.195)	11.52	99
15+18+22+42	1.28	1.54	1.88	3.59	-	8.30 (3.70-9.00)	2.604 (0.840-3.185)	11.44	99
15+18+22+50	1.19	1.42	1.74	3.95	-	8.30 (3.70-9.00)	2.594 (0.840-3.175)	11.39	99
15+18+22+60	1.08	1.30	1.59	4.33	-	8.30 (3.70-9.00)	2.564 (0.840-3.165)	11.26	99
15+18+22+71	0.99	1.19	1.45	4.68	-	8.30 (3.70-9.00)	2.544 (0.840-3.155)	11.17	99
15+18+25+35	1.34	1.61	2.23	3.12	-	8.30 (3.70-9.00)	2.624 (0.840-3.195)	11.52	99
15+18+25+42	1.25	1.49	2.08	3.49	-	8.30 (3.70-9.00)	2.604 (0.840-3.185)	11.44	99
15+18+25+50	1.15	1.38	1.92	3.84	-	8.30 (3.70-9.00)	2.594 (0.840-3.175)	11.39	99
15+18+25+60	1.06	1.27	1.76	4.22	-	8.30 (3.70-9.00)	2.564 (0.840-3.165)	11.26	99

# MXZ-4D83VA COOLING

Indoor units combination	Cooling capacity (kW)						Outdoor unit power consumption(kW)	Current (A)	Power factor(%)
	Unit A	Unit B	Unit C	Unit D	Unit E	Total			
15+18+25+71	0.97	1.16	1.61	4.57	-	8.30 (3.70-9.00)	2.544 (0.840-3.155)	11.17	99
15+18+35+35	1.21	1.45	2.82	2.82	-	8.30 (3.70-9.00)	2.624 (0.840-3.195)	11.52	99
15+18+35+42	1.13	1.36	2.64	3.17	-	8.30 (3.70-9.00)	2.604 (0.840-3.185)	11.44	99
15+18+35+50	1.06	1.27	2.46	3.52	-	8.30 (3.70-9.00)	2.594 (0.840-3.175)	11.39	99
15+18+35+60	0.97	1.17	2.27	3.89	-	8.30 (3.70-9.00)	2.564 (0.840-3.165)	11.26	99
15+18+35+71	0.90	1.07	2.09	4.24	-	8.30 (3.70-9.00)	2.544 (0.840-3.155)	11.17	99
15+18+42+42	1.06	1.28	2.98	2.98	-	8.30 (3.70-9.00)	2.584 (0.840-3.175)	11.35	99
15+18+42+50	1.00	1.20	2.79	3.32	-	8.30 (3.70-9.00)	2.574 (0.840-3.165)	11.30	99
15+18+42+60	0.92	1.11	2.58	3.69	-	8.30 (3.70-9.00)	2.544 (0.840-3.155)	11.17	99
15+18+50+50	0.94	1.12	3.12	3.12	-	8.30 (3.70-9.00)	2.564 (0.840-3.155)	11.26	99
15+18+50+60	0.87	1.04	2.90	3.48	-	8.30 (3.70-9.00)	2.534 (0.840-3.145)	11.13	99
15+20+20+20	1.44	1.92	1.92	1.92	-	7.20 (3.70-8.40)	1.937 (0.930-3.405)	8.51	99
15+20+20+22	1.46	1.95	1.95	2.14	-	7.50 (3.70-8.60)	2.144 (0.900-3.335)	9.42	99
15+20+20+25	1.46	1.95	1.95	2.44	-	7.80 (3.70-8.60)	2.244 (0.900-3.335)	9.86	99
15+20+20+35	1.35	1.80	1.80	3.15	-	8.10 (3.70-8.60)	2.344 (0.900-3.335)	10.29	99
15+20+20+42	1.25	1.67	1.67	3.51	-	8.10 (3.70-8.60)	2.324 (0.900-3.325)	10.21	99
15+20+20+50	1.16	1.54	1.54	3.86	-	8.10 (3.70-8.60)	2.314 (0.900-3.315)	10.16	99
15+20+20+60	1.06	1.41	1.41	4.23	-	8.10 (3.70-8.60)	2.284 (0.900-3.305)	10.03	99
15+20+20+71	0.96	1.29	1.29	4.56	-	8.10 (3.70-8.60)	2.264 (0.900-3.295)	9.94	99
15+20+22+22	1.48	1.97	2.17	2.17	-	7.80 (3.70-8.80)	2.351 (0.870-3.265)	10.32	99
15+20+22+25	1.48	1.98	2.17	2.47	-	8.10 (3.70-8.80)	2.451 (0.870-3.265)	10.76	99
15+20+22+35	1.34	1.78	1.96	3.12	-	8.20 (3.70-8.80)	2.484 (0.870-3.265)	10.91	99
15+20+22+42	1.24	1.66	1.82	3.48	-	8.20 (3.70-8.80)	2.464 (0.870-3.255)	10.82	99
15+20+22+50	1.15	1.53	1.69	3.83	-	8.20 (3.70-8.80)	2.454 (0.870-3.245)	10.78	99
15+20+22+60	1.05	1.40	1.54	4.21	-	8.20 (3.70-8.80)	2.424 (0.870-3.235)	10.65	99
15+20+22+71	0.96	1.28	1.41	4.55	-	8.20 (3.70-8.80)	2.404 (0.870-3.225)	10.56	99
15+20+25+25	1.45	1.93	2.41	2.41	-	8.20 (3.70-8.80)	2.484 (0.870-3.265)	10.91	99
15+20+25+35	1.29	1.73	2.16	3.02	-	8.20 (3.70-8.80)	2.484 (0.870-3.265)	10.91	99
15+20+25+42	1.21	1.61	2.01	3.38	-	8.20 (3.70-8.80)	2.464 (0.870-3.255)	10.82	99
15+20+25+50	1.12	1.49	1.86	3.73	-	8.20 (3.70-8.80)	2.454 (0.870-3.245)	10.78	99
15+20+25+60	1.03	1.37	1.71	4.10	-	8.20 (3.70-8.80)	2.424 (0.870-3.235)	10.65	99
15+20+25+71	0.94	1.25	1.56	4.44	-	8.20 (3.70-8.80)	2.404 (0.870-3.225)	10.56	99
15+20+35+35	1.17	1.56	2.73	2.73	-	8.20 (3.70-8.80)	2.484 (0.870-3.265)	10.91	99
15+20+35+42	1.10	1.46	2.56	3.08	-	8.20 (3.70-8.80)	2.464 (0.870-3.255)	10.82	99
15+20+35+50	1.03	1.37	2.39	3.42	-	8.20 (3.70-8.80)	2.454 (0.870-3.245)	10.78	99
15+20+35+60	0.95	1.26	2.21	3.78	-	8.20 (3.70-8.80)	2.424 (0.870-3.235)	10.65	99
15+20+35+71	0.87	1.16	2.04	4.13	-	8.20 (3.70-8.80)	2.404 (0.870-3.225)	10.56	99
15+20+42+42	1.03	1.38	2.89	2.89	-	8.20 (3.70-8.80)	2.444 (0.870-3.245)	10.73	99
15+20+42+50	0.97	1.29	2.71	3.23	-	8.20 (3.70-8.80)	2.434 (0.870-3.235)	10.69	99
15+20+42+60	0.90	1.20	2.51	3.59	-	8.20 (3.70-8.80)	2.404 (0.870-3.225)	10.56	99
15+20+50+50	0.91	1.21	3.04	3.04	-	8.20 (3.70-8.80)	2.424 (0.870-3.225)	10.65	99

# MXZ-4D83VA COOLING

Indoor units combination	Cooling capacity (kW)						Outdoor unit power consumption(kW)	Current (A)	Power factor(%)
	Unit A	Unit B	Unit C	Unit D	Unit E	Total			
15+20+50+60	0.85	1.13	2.83	3.39	-	8.20 (3.70-8.80)	2.394 (0.870-3.215)	10.51	99
15+22+22+22	1.50	2.20	2.20	2.20	-	8.10 (3.70-9.00)	2.557 (0.840-3.195)	11.23	99
15+22+22+25	1.48	2.17	2.17	2.47	-	8.30 (3.70-9.00)	2.624 (0.840-3.195)	11.52	99
15+22+22+35	1.32	1.94	1.94	3.09	-	8.30 (3.70-9.00)	2.624 (0.840-3.195)	11.52	99
15+22+22+42	1.23	1.81	1.81	3.45	-	8.30 (3.70-9.00)	2.604 (0.840-3.185)	11.44	99
15+22+22+50	1.14	1.68	1.68	3.81	-	8.30 (3.70-9.00)	2.594 (0.840-3.175)	11.39	99
15+22+22+60	1.05	1.53	1.53	4.18	-	8.30 (3.70-9.00)	2.564 (0.840-3.165)	11.26	99
15+22+22+71	0.96	1.40	1.40	4.53	-	8.30 (3.70-9.00)	2.544 (0.840-3.155)	11.17	99
15+22+25+25	1.43	2.10	2.39	2.39	-	8.30 (3.70-9.00)	2.624 (0.840-3.195)	11.52	99
15+22+25+35	1.28	1.88	2.14	2.99	-	8.30 (3.70-9.00)	2.624 (0.840-3.195)	11.52	99
15+22+25+42	1.20	1.76	2.00	3.35	-	8.30 (3.70-9.00)	2.604 (0.840-3.185)	11.44	99
15+22+25+50	1.11	1.63	1.85	3.71	-	8.30 (3.70-9.00)	2.594 (0.840-3.175)	11.39	99
15+22+25+60	1.02	1.50	1.70	4.08	-	8.30 (3.70-9.00)	2.564 (0.840-3.165)	11.26	99
15+22+25+71	0.94	1.37	1.56	4.43	-	8.30 (3.70-9.00)	2.544 (0.840-3.155)	11.17	99
15+22+35+35	1.16	1.71	2.71	2.71	-	8.30 (3.70-9.00)	2.624 (0.840-3.195)	11.52	99
15+22+35+42	1.09	1.60	2.55	3.06	-	8.30 (3.70-9.00)	2.604 (0.840-3.185)	11.44	99
15+22+35+50	1.02	1.50	2.38	3.40	-	8.30 (3.70-9.00)	2.594 (0.840-3.175)	11.39	99
15+22+35+60	0.94	1.38	2.20	3.77	-	8.30 (3.70-9.00)	2.564 (0.840-3.165)	11.26	99
15+22+35+71	0.87	1.28	2.03	4.12	-	8.30 (3.70-9.00)	2.544 (0.840-3.155)	11.17	99
15+22+42+42	1.03	1.51	2.88	2.88	-	8.30 (3.70-9.00)	2.584 (0.840-3.175)	11.35	99
15+22+42+50	0.97	1.42	2.70	3.22	-	8.30 (3.70-9.00)	2.574 (0.840-3.165)	11.30	99
15+22+42+60	0.90	1.31	2.51	3.58	-	8.30 (3.70-9.00)	2.544 (0.840-3.155)	11.17	99
15+22+50+50	0.91	1.33	3.03	3.03	-	8.30 (3.70-9.00)	2.564 (0.840-3.155)	11.26	99
15+25+25+25	1.38	2.31	2.31	2.31	-	8.30 (3.70-9.00)	2.624 (0.840-3.195)	11.52	99
15+25+25+35	1.25	2.08	2.08	2.91	-	8.30 (3.70-9.00)	2.624 (0.840-3.195)	11.52	99
15+25+25+42	1.16	1.94	1.94	3.26	-	8.30 (3.70-9.00)	2.604 (0.840-3.185)	11.44	99
15+25+25+50	1.08	1.80	1.80	3.61	-	8.30 (3.70-9.00)	2.594 (0.840-3.175)	11.39	99
15+25+25+60	1.00	1.66	1.66	3.98	-	8.30 (3.70-9.00)	2.564 (0.840-3.165)	11.26	99
15+25+25+71	0.92	1.53	1.53	4.33	-	8.30 (3.70-9.00)	2.544 (0.840-3.155)	11.17	99
15+25+35+35	1.13	1.89	2.64	2.64	-	8.30 (3.70-9.00)	2.624 (0.840-3.195)	11.52	99
15+25+35+42	1.06	1.77	2.48	2.98	-	8.30 (3.70-9.00)	2.604 (0.840-3.185)	11.44	99
15+25+35+50	1.00	1.66	2.32	3.32	-	8.30 (3.70-9.00)	2.594 (0.840-3.175)	11.39	99
15+25+35+60	0.92	1.54	2.15	3.69	-	8.30 (3.70-9.00)	2.564 (0.840-3.165)	11.26	99
15+25+42+42	1.00	1.67	2.81	2.81	-	8.30 (3.70-9.00)	2.584 (0.840-3.175)	11.35	99
15+25+42+50	0.94	1.57	2.64	3.14	-	8.30 (3.70-9.00)	2.574 (0.840-3.165)	11.30	99
15+25+42+60	0.88	1.46	2.45	3.51	-	8.30 (3.70-9.00)	2.544 (0.840-3.155)	11.17	99
15+25+50+50	0.89	1.48	2.96	2.96	-	8.30 (3.70-9.00)	2.564 (0.840-3.155)	11.26	99
15+35+35+35	1.04	2.42	2.42	2.42	-	8.30 (3.70-9.00)	2.624 (0.840-3.195)	11.52	99
15+35+35+42	0.98	2.29	2.29	2.74	-	8.30 (3.70-9.00)	2.604 (0.840-3.185)	11.44	99
15+35+35+50	0.92	2.15	2.15	3.07	-	8.30 (3.70-9.00)	2.594 (0.840-3.175)	11.39	99
15+35+35+60	0.86	2.00	2.00	3.43	-	8.30 (3.70-9.00)	2.564 (0.840-3.165)	11.26	99

# MXZ-4D83VA COOLING

Indoor units combination	Cooling capacity (kW)						Outdoor unit power consumption(kW)	Current (A)	Power factor(%)
	Unit A	Unit B	Unit C	Unit D	Unit E	Total			
15+35+42+42	0.93	2.17	2.60	2.60	-	8.30 (3.70-9.00)	2.584 (0.840-3.175)	11.35	99
15+35+42+50	0.88	2.05	2.45	2.92	-	8.30 (3.70-9.00)	2.574 (0.840-3.165)	11.30	99
15+42+42+42	0.88	2.47	2.47	2.47	-	8.30 (3.70-9.00)	2.564 (0.840-3.165)	11.26	99
18+18+18+18	1.80	1.80	1.80	1.80	-	7.20 (3.70-9.20)	2.406 (0.810-3.195)	10.57	99
18+18+18+20	1.78	1.78	1.78	1.97	-	7.30 (3.70-9.00)	2.333 (0.840-3.265)	10.25	99
18+18+18+22	1.80	1.80	1.80	2.20	-	7.60 (3.70-9.20)	2.540 (0.810-3.195)	11.16	99
18+18+18+25	1.80	1.80	1.80	2.50	-	7.90 (3.70-9.20)	2.641 (0.810-3.195)	11.60	99
18+18+18+35	1.68	1.68	1.68	3.26	-	8.30 (3.70-9.20)	2.774 (0.810-3.195)	12.18	99
18+18+18+42	1.56	1.56	1.56	3.63	-	8.30 (3.70-9.20)	2.754 (0.810-3.185)	12.09	99
18+18+18+50	1.44	1.44	1.44	3.99	-	8.30 (3.70-9.20)	2.744 (0.810-3.175)	12.05	99
18+18+18+60	1.31	1.31	1.31	4.37	-	8.30 (3.70-9.20)	2.714 (0.810-3.165)	11.92	99
18+18+18+71	1.20	1.20	1.20	4.71	-	8.30 (3.70-9.20)	2.694 (0.810-3.155)	11.83	99
18+18+20+20	1.75	1.75	1.95	1.95	-	7.40 (3.70-8.80)	2.260 (0.870-3.335)	9.93	99
18+18+20+22	1.78	1.78	1.97	2.17	-	7.70 (3.70-9.00)	2.467 (0.840-3.265)	10.83	99
18+18+20+25	1.78	1.78	1.98	2.47	-	8.00 (3.70-9.00)	2.567 (0.840-3.265)	11.27	99
18+18+20+35	1.62	1.62	1.80	3.15	-	8.20 (3.70-9.00)	2.634 (0.840-3.265)	11.57	99
18+18+20+42	1.51	1.51	1.67	3.51	-	8.20 (3.70-9.00)	2.614 (0.840-3.255)	11.48	99
18+18+20+50	1.39	1.39	1.55	3.87	-	8.20 (3.70-9.00)	2.604 (0.840-3.245)	11.44	99
18+18+20+60	1.27	1.27	1.41	4.24	-	8.20 (3.70-9.00)	2.574 (0.840-3.235)	11.30	99
18+18+20+71	1.16	1.16	1.29	4.58	-	8.20 (3.70-9.00)	2.554 (0.840-3.225)	11.22	99
18+18+22+22	1.80	1.80	2.20	2.20	-	8.00 (3.70-9.20)	2.674 (0.810-3.195)	11.74	99
18+18+22+25	1.80	1.80	2.20	2.50	-	8.30 (3.70-9.20)	2.774 (0.810-3.195)	12.18	99
18+18+22+35	1.61	1.61	1.96	3.12	-	8.30 (3.70-9.20)	2.774 (0.810-3.195)	12.18	99
18+18+22+42	1.49	1.49	1.83	3.49	-	8.30 (3.70-9.20)	2.754 (0.810-3.185)	12.09	99
18+18+22+50	1.38	1.38	1.69	3.84	-	8.30 (3.70-9.20)	2.744 (0.810-3.175)	12.05	99
18+18+22+60	1.27	1.27	1.55	4.22	-	8.30 (3.70-9.20)	2.714 (0.810-3.165)	11.92	99
18+18+22+71	1.16	1.16	1.42	4.57	-	8.30 (3.70-9.20)	2.694 (0.810-3.155)	11.83	99
18+18+25+25	1.74	1.74	2.41	2.41	-	8.30 (3.70-9.20)	2.774 (0.810-3.195)	12.18	99
18+18+25+35	1.56	1.56	2.16	3.03	-	8.30 (3.70-9.20)	2.774 (0.810-3.195)	12.18	99
18+18+25+42	1.45	1.45	2.01	3.38	-	8.30 (3.70-9.20)	2.754 (0.810-3.185)	12.09	99
18+18+25+50	1.35	1.35	1.87	3.74	-	8.30 (3.70-9.20)	2.744 (0.810-3.175)	12.05	99
18+18+25+60	1.23	1.23	1.71	4.12	-	8.30 (3.70-9.20)	2.714 (0.810-3.165)	11.92	99
18+18+25+71	1.13	1.13	1.57	4.46	-	8.30 (3.70-9.20)	2.694 (0.810-3.155)	11.83	99
18+18+35+35	1.41	1.41	2.74	2.74	-	8.30 (3.70-9.20)	2.774 (0.810-3.195)	12.18	99
18+18+35+42	1.32	1.32	2.57	3.08	-	8.30 (3.70-9.20)	2.754 (0.810-3.185)	12.09	99
18+18+35+50	1.23	1.23	2.40	3.43	-	8.30 (3.70-9.20)	2.744 (0.810-3.175)	12.05	99
18+18+35+60	1.14	1.14	2.22	3.80	-	8.30 (3.70-9.20)	2.714 (0.810-3.165)	11.92	99
18+18+35+71	1.05	1.05	2.05	4.15	-	8.30 (3.70-9.20)	2.694 (0.810-3.155)	11.83	99
18+18+42+42	1.25	1.25	2.91	2.91	-	8.30 (3.70-9.20)	2.734 (0.810-3.175)	12.01	99
18+18+42+50	1.17	1.17	2.72	3.24	-	8.30 (3.70-9.20)	2.724 (0.810-3.165)	11.96	99
18+18+42+60	1.08	1.08	2.53	3.61	-	8.30 (3.70-9.20)	2.694 (0.810-3.155)	11.83	99

# MXZ-4D83VA COOLING

Indoor units combination	Cooling capacity (kW)						Outdoor unit power consumption(kW)	Current (A)	Power factor(%)
	Unit A	Unit B	Unit C	Unit D	Unit E	Total			
18+18+50+50	1.10	1.10	3.05	3.05	-	8.30 (3.70-9.20)	2.714 (0.810-3.155)	11.92	99
18+20+20+20	1.73	1.92	1.92	1.92	-	7.50 (3.70-8.60)	2.187 (0.900-3.405)	9.60	99
18+20+20+22	1.76	1.95	1.95	2.15	-	7.80 (3.70-8.80)	2.394 (0.870-3.335)	10.51	99
18+20+20+35	1.57	1.74	1.74	3.05	-	8.10 (3.70-8.80)	2.494 (0.870-3.335)	10.95	99
18+20+20+42	1.46	1.62	1.62	3.40	-	8.10 (3.70-8.80)	2.474 (0.870-3.325)	10.87	99
18+20+20+50	1.35	1.50	1.50	3.75	-	8.10 (3.70-8.80)	2.464 (0.870-3.315)	10.82	99
18+20+20+60	1.24	1.37	1.37	4.12	-	8.10 (3.70-8.80)	2.434 (0.870-3.305)	10.69	99
18+20+20+71	1.13	1.26	1.26	4.46	-	8.10 (3.70-8.80)	2.414 (0.870-3.295)	10.60	99
18+20+22+22	1.78	1.98	2.17	2.17	-	8.10 (3.70-9.00)	2.601 (0.840-3.265)	11.42	99
18+20+22+25	1.74	1.93	2.12	2.41	-	8.20 (3.70-9.00)	2.634 (0.840-3.265)	11.57	99
18+20+22+35	1.55	1.73	1.90	3.02	-	8.20 (3.70-9.00)	2.634 (0.840-3.265)	11.57	99
18+20+22+42	1.45	1.61	1.77	3.38	-	8.20 (3.70-9.00)	2.614 (0.840-3.255)	11.48	99
18+20+22+50	1.34	1.49	1.64	3.73	-	8.20 (3.70-9.00)	2.604 (0.840-3.245)	11.44	99
18+20+22+60	1.23	1.37	1.50	4.10	-	8.20 (3.70-9.00)	2.574 (0.840-3.235)	11.30	99
18+20+22+71	1.13	1.25	1.38	4.44	-	8.20 (3.70-9.00)	2.554 (0.840-3.225)	11.22	99
18+20+25+25	1.68	1.86	2.33	2.33	-	8.20 (3.70-9.00)	2.634 (0.840-3.265)	11.57	99
18+20+25+35	1.51	1.67	2.09	2.93	-	8.20 (3.70-9.00)	2.634 (0.840-3.265)	11.57	99
18+20+25+42	1.41	1.56	1.95	3.28	-	8.20 (3.70-9.00)	2.614 (0.840-3.255)	11.48	99
18+20+25+50	1.31	1.45	1.81	3.63	-	8.20 (3.70-9.00)	2.604 (0.840-3.245)	11.44	99
18+20+25+60	1.20	1.33	1.67	4.00	-	8.20 (3.70-9.00)	2.574 (0.840-3.235)	11.30	99
18+20+25+71	1.10	1.22	1.53	4.34	-	8.20 (3.70-9.00)	2.554 (0.840-3.225)	11.22	99
18+20+35+35	1.37	1.52	2.66	2.66	-	8.20 (3.70-9.00)	2.634 (0.840-3.265)	11.57	99
18+20+35+42	1.28	1.43	2.50	2.99	-	8.20 (3.70-9.00)	2.614 (0.840-3.255)	11.48	99
18+20+35+50	1.20	1.33	2.33	3.33	-	8.20 (3.70-9.00)	2.604 (0.840-3.245)	11.44	99
18+20+35+60	1.11	1.23	2.16	3.70	-	8.20 (3.70-9.00)	2.574 (0.840-3.235)	11.30	99
18+20+35+71	1.03	1.14	1.99	4.04	-	8.20 (3.70-9.00)	2.554 (0.840-3.225)	11.22	99
18+20+42+42	1.21	1.34	2.82	2.82	-	8.20 (3.70-9.00)	2.594 (0.840-3.245)	11.39	99
18+20+42+50	1.14	1.26	2.65	3.15	-	8.20 (3.70-9.00)	2.584 (0.840-3.235)	11.35	99
18+20+42+60	1.05	1.17	2.46	3.51	-	8.20 (3.70-9.00)	2.554 (0.840-3.225)	11.22	99
18+20+50+50	1.07	1.19	2.97	2.97	-	8.20 (3.70-9.00)	2.574 (0.840-3.225)	11.30	99
18+22+22+22	1.78	2.17	2.17	2.17	-	8.30 (3.70-9.20)	2.774 (0.810-3.195)	12.18	99
18+22+22+25	1.72	2.10	2.10	2.39	-	8.30 (3.70-9.20)	2.774 (0.810-3.195)	12.18	99
18+22+22+35	1.54	1.88	1.88	2.99	-	8.30 (3.70-9.20)	2.774 (0.810-3.195)	12.18	99
18+22+22+42	1.44	1.76	1.76	3.35	-	8.30 (3.70-9.20)	2.754 (0.810-3.185)	12.09	99
18+22+22+50	1.33	1.63	1.63	3.71	-	8.30 (3.70-9.20)	2.744 (0.810-3.175)	12.05	99
18+22+22+60	1.22	1.50	1.50	4.08	-	8.30 (3.70-9.20)	2.714 (0.810-3.165)	11.92	99
18+22+22+71	1.12	1.37	1.37	4.43	-	8.30 (3.70-9.20)	2.694 (0.810-3.155)	11.83	99
18+22+25+25	1.66	2.03	2.31	2.31	-	8.30 (3.70-9.20)	2.774 (0.810-3.195)	12.18	99
18+22+25+35	1.49	1.83	2.08	2.91	-	8.30 (3.70-9.20)	2.774 (0.810-3.195)	12.18	99
18+22+25+42	1.40	1.71	1.94	3.26	-	8.30 (3.70-9.20)	2.754 (0.810-3.185)	12.09	99
18+22+25+50	1.30	1.59	1.80	3.61	-	8.30 (3.70-9.20)	2.744 (0.810-3.175)	12.05	99



# MXZ-4D83VA COOLING

Indoor units combination	Cooling capacity (kW)						Outdoor unit power consumption(kW)	Current (A)	Power factor(%)
	Unit A	Unit B	Unit C	Unit D	Unit E	Total			
18+22+25+60	1.20	1.46	1.66	3.98	-	8.30 (3.70-9.20)	2.714 (0.810-3.165)	11.92	99
18+22+25+71	1.10	1.34	1.53	4.33	-	8.30 (3.70-9.20)	2.694 (0.810-3.155)	11.83	99
18+22+35+35	1.36	1.66	2.64	2.64	-	8.30 (3.70-9.20)	2.774 (0.810-3.195)	12.18	99
18+22+35+42	1.28	1.56	2.48	2.98	-	8.30 (3.70-9.20)	2.754 (0.810-3.185)	12.09	99
18+22+35+50	1.20	1.46	2.32	3.32	-	8.30 (3.70-9.20)	2.744 (0.810-3.175)	12.05	99
18+22+35+60	1.11	1.35	2.15	3.69	-	8.30 (3.70-9.20)	2.714 (0.810-3.165)	11.92	99
18+22+42+42	1.20	1.47	2.81	2.81	-	8.30 (3.70-9.20)	2.734 (0.810-3.175)	12.01	99
18+22+42+50	1.13	1.38	2.64	3.14	-	8.30 (3.70-9.20)	2.724 (0.810-3.165)	11.96	99
18+22+42+60	1.05	1.29	2.45	3.51	-	8.30 (3.70-9.20)	2.694 (0.810-3.155)	11.83	99
18+22+50+50	1.07	1.30	2.96	2.96	-	8.30 (3.70-9.20)	2.714 (0.810-3.155)	11.92	99
18+25+25+25	1.61	2.23	2.23	2.23	-	8.30 (3.70-9.20)	2.774 (0.810-3.195)	12.18	99
18+25+25+35	1.45	2.01	2.01	2.82	-	8.30 (3.70-9.20)	2.774 (0.810-3.195)	12.18	99
18+25+25+42	1.36	1.89	1.89	3.17	-	8.30 (3.70-9.20)	2.754 (0.810-3.185)	12.09	99
18+25+25+50	1.27	1.76	1.76	3.52	-	8.30 (3.70-9.20)	2.744 (0.810-3.175)	12.05	99
18+25+25+60	1.17	1.62	1.62	3.89	-	8.30 (3.70-9.20)	2.714 (0.810-3.165)	11.92	99
18+25+25+71	1.07	1.49	1.49	4.24	-	8.30 (3.70-9.20)	2.694 (0.810-3.155)	11.83	99
18+25+35+35	1.32	1.84	2.57	2.57	-	8.30 (3.70-9.20)	2.774 (0.810-3.195)	12.18	99
18+25+35+42	1.25	1.73	2.42	2.91	-	8.30 (3.70-9.20)	2.754 (0.810-3.185)	12.09	99
18+25+35+50	1.17	1.62	2.27	3.24	-	8.30 (3.70-9.20)	2.744 (0.810-3.175)	12.05	99
18+25+35+60	1.08	1.50	2.11	3.61	-	8.30 (3.70-9.20)	2.714 (0.810-3.165)	11.92	99
18+25+42+42	1.18	1.63	2.74	2.74	-	8.30 (3.70-9.20)	2.734 (0.810-3.175)	12.01	99
18+25+42+50	1.11	1.54	2.58	3.07	-	8.30 (3.70-9.20)	2.724 (0.810-3.165)	11.96	99
18+25+42+60	1.03	1.43	2.40	3.43	-	8.30 (3.70-9.20)	2.694 (0.810-3.155)	11.83	99
18+25+50+50	1.04	1.45	2.90	2.90	-	8.30 (3.70-9.20)	2.714 (0.810-3.155)	11.92	99
18+35+35+35	1.21	2.36	2.36	2.36	-	8.30 (3.70-9.20)	2.774 (0.810-3.195)	12.18	99
18+35+35+42	1.15	2.23	2.23	2.68	-	8.30 (3.70-9.20)	2.754 (0.810-3.185)	12.09	99
18+35+35+50	1.08	2.11	2.11	3.01	-	8.30 (3.70-9.20)	2.744 (0.810-3.175)	12.05	99
18+35+42+42	1.09	2.12	2.54	2.54	-	8.30 (3.70-9.20)	2.734 (0.810-3.175)	12.01	99
18+35+42+50	1.03	2.00	2.40	2.86	-	8.30 (3.70-9.20)	2.724 (0.810-3.165)	11.96	99
18+42+42+42	1.04	2.42	2.42	2.42	-	8.30 (3.70-9.20)	2.714 (0.810-3.165)	11.92	99
20+20+20+20	1.90	1.90	1.90	1.90	-	7.60 (3.70-8.40)	2.114 (0.930-3.475)	9.28	99
20+20+20+22	1.93	1.93	1.93	2.12	-	7.90 (3.70-8.60)	2.321 (0.900-3.405)	10.19	99
20+20+20+25	1.88	1.88	1.88	2.35	-	8.00 (3.70-8.60)	2.354 (0.900-3.405)	10.34	99
20+20+20+35	1.68	1.68	1.68	2.95	-	8.00 (3.70-8.60)	2.354 (0.900-3.405)	10.34	99
20+20+20+42	1.57	1.57	1.57	3.29	-	8.00 (3.70-8.60)	2.334 (0.900-3.395)	10.25	99
20+20+20+50	1.45	1.45	1.45	3.64	-	8.00 (3.70-8.60)	2.324 (0.900-3.385)	10.21	99
20+20+20+60	1.33	1.33	1.33	4.00	-	8.00 (3.70-8.60)	2.294 (0.900-3.375)	10.07	99
20+20+20+71	1.22	1.22	1.22	4.34	-	8.00 (3.70-8.60)	2.274 (0.900-3.365)	9.99	99
20+20+22+22	1.93	1.93	2.12	2.12	-	8.10 (3.70-8.80)	2.494 (0.870-3.335)	10.95	99
20+20+22+25	1.86	1.86	2.05	2.33	-	8.10 (3.70-8.80)	2.494 (0.870-3.335)	10.95	99
20+20+22+35	1.67	1.67	1.84	2.92	-	8.10 (3.70-8.80)	2.494 (0.870-3.335)	10.95	99

# MXZ-4D83VA COOLING

Indoor units combination	Cooling capacity (kW)						Outdoor unit power consumption(kW)	Current (A)	Power factor(%)
	Unit A	Unit B	Unit C	Unit D	Unit E	Total			
20+20+22+42	1.56	1.56	1.71	3.27	-	8.10 (3.70-8.80)	2.474 (0.870-3.325)	10.87	99
20+20+22+50	1.45	1.45	1.59	3.62	-	8.10 (3.70-8.80)	2.464 (0.870-3.315)	10.82	99
20+20+22+60	1.33	1.33	1.46	3.98	-	8.10 (3.70-8.80)	2.434 (0.870-3.305)	10.69	99
20+20+22+71	1.22	1.22	1.34	4.32	-	8.10 (3.70-8.80)	2.414 (0.870-3.295)	10.60	99
20+20+25+25	1.80	1.80	2.25	2.25	-	8.10 (3.70-8.80)	2.494 (0.870-3.335)	10.95	99
20+20+25+35	1.62	1.62	2.03	2.84	-	8.10 (3.70-8.80)	2.494 (0.870-3.335)	10.95	99
20+20+25+42	1.51	1.51	1.89	3.18	-	8.10 (3.70-8.80)	2.474 (0.870-3.325)	10.87	99
20+20+25+50	1.41	1.41	1.76	3.52	-	8.10 (3.70-8.80)	2.464 (0.870-3.315)	10.82	99
20+20+25+60	1.30	1.30	1.62	3.89	-	8.10 (3.70-8.80)	2.434 (0.870-3.305)	10.69	99
20+20+25+71	1.19	1.19	1.49	4.23	-	8.10 (3.70-8.80)	2.414 (0.870-3.295)	10.60	99
20+20+35+35	1.47	1.47	2.58	2.58	-	8.10 (3.70-8.80)	2.494 (0.870-3.335)	10.95	99
20+20+35+42	1.38	1.38	2.42	2.91	-	8.10 (3.70-8.80)	2.474 (0.870-3.325)	10.87	99
20+20+35+50	1.30	1.30	2.27	3.24	-	8.10 (3.70-8.80)	2.464 (0.870-3.315)	10.82	99
20+20+35+60	1.20	1.20	2.10	3.60	-	8.10 (3.70-8.80)	2.434 (0.870-3.305)	10.69	99
20+20+42+42	1.31	1.31	2.74	2.74	-	8.10 (3.70-8.80)	2.454 (0.870-3.315)	10.78	99
20+20+42+50	1.23	1.23	2.58	3.07	-	8.10 (3.70-8.80)	2.444 (0.870-3.305)	10.73	99
20+20+42+60	1.14	1.14	2.40	3.42	-	8.10 (3.70-8.80)	2.414 (0.870-3.295)	10.60	99
20+20+50+50	1.16	1.16	2.89	2.89	-	8.10 (3.70-8.80)	2.434 (0.870-3.295)	10.69	99
20+22+22+22	1.91	2.10	2.10	2.10	-	8.20 (3.70-9.00)	2.634 (0.840-3.265)	11.57	99
20+22+22+25	1.84	2.03	2.03	2.30	-	8.20 (3.70-9.00)	2.634 (0.840-3.265)	11.57	99
20+22+22+35	1.66	1.82	1.82	2.90	-	8.20 (3.70-9.00)	2.634 (0.840-3.265)	11.57	99
20+22+22+42	1.55	1.70	1.70	3.25	-	8.20 (3.70-9.00)	2.614 (0.840-3.255)	11.48	99
20+22+22+50	1.44	1.58	1.58	3.60	-	8.20 (3.70-9.00)	2.604 (0.840-3.245)	11.44	99
20+22+22+60	1.32	1.45	1.45	3.97	-	8.20 (3.70-9.00)	2.574 (0.840-3.235)	11.30	99
20+22+22+71	1.21	1.34	1.34	4.31	-	8.20 (3.70-9.00)	2.554 (0.840-3.225)	11.22	99
20+22+25+25	1.78	1.96	2.23	2.23	-	8.20 (3.70-9.00)	2.634 (0.840-3.265)	11.57	99
20+22+25+35	1.61	1.77	2.01	2.81	-	8.20 (3.70-9.00)	2.634 (0.840-3.265)	11.57	99
20+22+25+42	1.50	1.66	1.88	3.16	-	8.20 (3.70-9.00)	2.614 (0.840-3.255)	11.48	99
20+22+25+50	1.40	1.54	1.75	3.50	-	8.20 (3.70-9.00)	2.604 (0.840-3.245)	11.44	99
20+22+25+60	1.29	1.42	1.61	3.87	-	8.20 (3.70-9.00)	2.574 (0.840-3.235)	11.30	99
20+22+25+71	1.19	1.31	1.49	4.22	-	8.20 (3.70-9.00)	2.554 (0.840-3.225)	11.22	99
20+22+35+35	1.46	1.61	2.56	2.56	-	8.20 (3.70-9.00)	2.634 (0.840-3.265)	11.57	99
20+22+35+42	1.38	1.52	2.41	2.89	-	8.20 (3.70-9.00)	2.614 (0.840-3.255)	11.48	99
20+22+35+50	1.29	1.42	2.26	3.23	-	8.20 (3.70-9.00)	2.604 (0.840-3.245)	11.44	99
20+22+35+60	1.20	1.32	2.09	3.59	-	8.20 (3.70-9.00)	2.574 (0.840-3.235)	11.30	99
20+22+42+42	1.30	1.43	2.73	2.73	-	8.20 (3.70-9.00)	2.594 (0.840-3.245)	11.39	99
20+22+42+50	1.22	1.35	2.57	3.06	-	8.20 (3.70-9.00)	2.584 (0.840-3.235)	11.35	99
20+22+42+60	1.14	1.25	2.39	3.42	-	8.20 (3.70-9.00)	2.554 (0.840-3.225)	11.22	99
20+22+50+50	1.15	1.27	2.89	2.89	-	8.20 (3.70-9.00)	2.574 (0.840-3.225)	11.30	99
20+25+25+25	1.73	2.16	2.16	2.16	-	8.20 (3.70-9.00)	2.634 (0.840-3.265)	11.57	99
20+25+25+35	1.56	1.95	1.95	2.73	-	8.20 (3.70-9.00)	2.634 (0.840-3.265)	11.57	99

# MXZ-4D83VA COOLING

Indoor units combination	Cooling capacity (kW)						Outdoor unit power consumption(kW)	Current (A)	Power factor(%)
	Unit A	Unit B	Unit C	Unit D	Unit E	Total			
20+25+25+42	1.46	1.83	1.83	3.08	-	8.20 (3.70-9.00)	2.614 (0.840-3.255)	11.48	99
20+25+25+50	1.37	1.71	1.71	3.42	-	8.20 (3.70-9.00)	2.604 (0.840-3.245)	11.44	99
20+25+25+60	1.26	1.58	1.58	3.78	-	8.20 (3.70-9.00)	2.574 (0.840-3.235)	11.30	99
20+25+25+71	1.16	1.45	1.45	4.13	-	8.20 (3.70-9.00)	2.554 (0.840-3.225)	11.22	99
20+25+35+35	1.43	1.78	2.50	2.50	-	8.20 (3.70-9.00)	2.634 (0.840-3.265)	11.57	99
20+25+35+42	1.34	1.68	2.35	2.82	-	8.20 (3.70-9.00)	2.614 (0.840-3.255)	11.48	99
20+25+35+50	1.26	1.58	2.21	3.15	-	8.20 (3.70-9.00)	2.604 (0.840-3.245)	11.44	99
20+25+35+60	1.17	1.46	2.05	3.51	-	8.20 (3.70-9.00)	2.574 (0.840-3.235)	11.30	99
20+25+42+42	1.27	1.59	2.67	2.67	-	8.20 (3.70-9.00)	2.594 (0.840-3.245)	11.39	99
20+25+42+50	1.20	1.50	2.51	2.99	-	8.20 (3.70-9.00)	2.584 (0.840-3.235)	11.35	99
20+25+50+50	1.13	1.41	2.83	2.83	-	8.20 (3.70-9.00)	2.574 (0.840-3.225)	11.30	99
20+35+35+35	1.31	2.30	2.30	2.30	-	8.20 (3.70-9.00)	2.634 (0.840-3.265)	11.57	99
20+35+35+42	1.24	2.17	2.17	2.61	-	8.20 (3.70-9.00)	2.614 (0.840-3.255)	11.48	99
20+35+35+50	1.17	2.05	2.05	2.93	-	8.20 (3.70-9.00)	2.604 (0.840-3.245)	11.44	99
20+35+42+42	1.18	2.06	2.48	2.48	-	8.20 (3.70-9.00)	2.594 (0.840-3.245)	11.39	99
22+22+22+22	2.08	2.08	2.08	2.08	-	8.30 (3.70-9.20)	2.774 (0.810-3.195)	12.18	99
22+22+22+25	2.01	2.01	2.01	2.28	-	8.30 (3.70-9.20)	2.774 (0.810-3.195)	12.18	99
22+22+22+35	1.81	1.81	1.81	2.88	-	8.30 (3.70-9.20)	2.774 (0.810-3.195)	12.18	99
22+22+22+42	1.69	1.69	1.69	3.23	-	8.30 (3.70-9.20)	2.754 (0.810-3.185)	12.09	99
22+22+22+50	1.57	1.57	1.57	3.58	-	8.30 (3.70-9.20)	2.744 (0.810-3.175)	12.05	99
22+22+22+60	1.45	1.45	1.45	3.95	-	8.30 (3.70-9.20)	2.714 (0.810-3.165)	11.92	99
22+22+22+71	1.33	1.33	1.33	4.30	-	8.30 (3.70-9.20)	2.694 (0.810-3.155)	11.83	99
22+22+25+25	1.94	1.94	2.21	2.21	-	8.30 (3.70-9.20)	2.774 (0.810-3.195)	12.18	99
22+22+25+35	1.76	1.76	2.00	2.79	-	8.30 (3.70-9.20)	2.774 (0.810-3.195)	12.18	99
22+22+25+42	1.65	1.65	1.87	3.14	-	8.30 (3.70-9.20)	2.754 (0.810-3.185)	12.09	99
22+22+25+50	1.53	1.53	1.74	3.49	-	8.30 (3.70-9.20)	2.744 (0.810-3.175)	12.05	99
22+22+25+60	1.42	1.42	1.61	3.86	-	8.30 (3.70-9.20)	2.714 (0.810-3.165)	11.92	99
22+22+25+71	1.30	1.30	1.48	4.21	-	8.30 (3.70-9.20)	2.694 (0.810-3.155)	11.83	99
22+22+35+35	1.60	1.60	2.55	2.55	-	8.30 (3.70-9.20)	2.774 (0.810-3.195)	12.18	99
22+22+35+42	1.51	1.51	2.40	2.88	-	8.30 (3.70-9.20)	2.754 (0.810-3.185)	12.09	99
22+22+35+50	1.42	1.42	2.25	3.22	-	8.30 (3.70-9.20)	2.744 (0.810-3.175)	12.05	99
22+22+35+60	1.31	1.31	2.09	3.58	-	8.30 (3.70-9.20)	2.714 (0.810-3.165)	11.92	99
22+22+42+42	1.43	1.43	2.72	2.72	-	8.30 (3.70-9.20)	2.734 (0.810-3.175)	12.01	99
22+22+42+50	1.34	1.34	2.56	3.05	-	8.30 (3.70-9.20)	2.724 (0.810-3.165)	11.96	99
22+22+50+50	1.27	1.27	2.88	2.88	-	8.30 (3.70-9.20)	2.714 (0.810-3.155)	11.92	99
22+25+25+25	1.88	2.14	2.14	2.14	-	8.30 (3.70-9.20)	2.774 (0.810-3.195)	12.18	99
22+25+25+35	1.71	1.94	1.94	2.71	-	8.30 (3.70-9.20)	2.774 (0.810-3.195)	12.18	99
22+25+25+42	1.60	1.82	1.82	3.06	-	8.30 (3.70-9.20)	2.754 (0.810-3.185)	12.09	99
22+25+25+50	1.50	1.70	1.70	3.40	-	8.30 (3.70-9.20)	2.744 (0.810-3.175)	12.05	99
22+25+25+60	1.38	1.57	1.57	3.77	-	8.30 (3.70-9.20)	2.714 (0.810-3.165)	11.92	99
22+25+25+71	1.28	1.45	1.45	4.12	-	8.30 (3.70-9.20)	2.694 (0.810-3.155)	11.83	99

## MXZ-4D83VA COOLING

Indoor units combination	Cooling capacity (kW)						Outdoor unit power consumption(kW)	Current (A)	Power factor(%)
	Unit A	Unit B	Unit C	Unit D	Unit E	Total			
22+25+35+35	1.56	1.77	2.48	2.48	-	8.30 (3.70-9.20)	2.774 (0.810-3.195)	12.18	99
22+25+35+42	1.47	1.67	2.34	2.81	-	8.30 (3.70-9.20)	2.754 (0.810-3.185)	12.09	99
22+25+35+50	1.38	1.57	2.20	3.14	-	8.30 (3.70-9.20)	2.744 (0.810-3.175)	12.05	99
22+25+35+60	1.29	1.46	2.05	3.51	-	8.30 (3.70-9.20)	2.714 (0.810-3.165)	11.92	99
22+25+42+42	1.39	1.58	2.66	2.66	-	8.30 (3.70-9.20)	2.734 (0.810-3.175)	12.01	99
22+25+42+50	1.31	1.49	2.51	2.99	-	8.30 (3.70-9.20)	2.724 (0.810-3.165)	11.96	99
22+35+35+35	1.44	2.29	2.29	2.29	-	8.30 (3.70-9.20)	2.774 (0.810-3.195)	12.18	99
22+35+35+42	1.36	2.17	2.17	2.60	-	8.30 (3.70-9.20)	2.754 (0.810-3.185)	12.09	99
22+35+35+50	1.29	2.05	2.05	2.92	-	8.30 (3.70-9.20)	2.744 (0.810-3.175)	12.05	99
22+35+42+42	1.30	2.06	2.47	2.47	-	8.30 (3.70-9.20)	2.734 (0.810-3.175)	12.01	99
25+25+25+25	2.08	2.08	2.08	2.08	-	8.30 (3.70-9.20)	2.774 (0.810-3.195)	12.18	99
25+25+25+35	1.89	1.89	1.89	2.64	-	8.30 (3.70-9.20)	2.774 (0.810-3.195)	12.18	99
25+25+25+42	1.77	1.77	1.77	2.98	-	8.30 (3.70-9.20)	2.754 (0.810-3.185)	12.09	99
25+25+25+50	1.66	1.66	1.66	3.32	-	8.30 (3.70-9.20)	2.744 (0.810-3.175)	12.05	99
25+25+25+60	1.54	1.54	1.54	3.69	-	8.30 (3.70-9.20)	2.714 (0.810-3.165)	11.92	99
25+25+35+35	1.73	1.73	2.42	2.42	-	8.30 (3.70-9.20)	2.774 (0.810-3.195)	12.18	99
25+25+35+42	1.63	1.63	2.29	2.74	-	8.30 (3.70-9.20)	2.754 (0.810-3.185)	12.09	99
25+25+35+50	1.54	1.54	2.15	3.07	-	8.30 (3.70-9.20)	2.744 (0.810-3.175)	12.05	99
25+25+35+60	1.43	1.43	2.00	3.43	-	8.30 (3.70-9.20)	2.714 (0.810-3.165)	11.92	99
25+25+42+42	1.55	1.55	2.60	2.60	-	8.30 (3.70-9.20)	2.734 (0.810-3.175)	12.01	99
25+25+42+50	1.46	1.46	2.45	2.92	-	8.30 (3.70-9.20)	2.724 (0.810-3.165)	11.96	99
25+35+35+35	1.60	2.23	2.23	2.23	-	8.30 (3.70-9.20)	2.774 (0.810-3.195)	12.18	99
25+35+35+42	1.51	2.12	2.12	2.54	-	8.30 (3.70-9.20)	2.754 (0.810-3.185)	12.09	99
25+35+35+50	1.43	2.00	2.00	2.86	-	8.30 (3.70-9.20)	2.744 (0.810-3.175)	12.05	99
25+35+42+42	1.44	2.02	2.42	2.42	-	8.30 (3.70-9.20)	2.734 (0.810-3.175)	12.01	99
35+35+35+35	2.08	2.08	2.08	2.08	-	8.30 (3.70-9.20)	2.774 (0.810-3.195)	12.18	99

# MXZ-4D83VA HEATING

Indoor units combination	Heating capacity (kW)						Outdoor unit power consumption(kW)	Current (A)	Power factor(%)
	Unit A	Unit B	Unit C	Unit D	Unit E	Total			
15	1.70	-	-	-	-	1.70 (1.20-3.00)	0.650 (0.540-1.670)	2.85	99
18	3.30	-	-	-	-	3.30 (1.20-4.20)	0.890 (0.340-1.590)	3.91	99
20	2.20	-	-	-	-	2.20 (1.20-3.90)	0.830 (0.540-2.170)	3.65	99
22	3.30	-	-	-	-	3.30 (1.20-4.20)	0.890 (0.340-1.590)	3.91	99
25	3.60	-	-	-	-	3.60 (1.20-4.50)	0.990 (0.340-1.740)	4.35	99
35	4.00	-	-	-	-	4.00 (1.20-5.50)	1.140 (0.330-1.810)	5.01	99
42	5.40	-	-	-	-	5.40 (1.30-6.50)	1.610 (0.330-2.260)	7.07	99
50	7.20	-	-	-	-	7.20 (1.40-7.70)	2.270 (0.330-2.710)	9.97	99
60	7.90	-	-	-	-	7.90 (1.40-8.60)	2.270 (0.330-3.060)	9.97	99
71	8.60	-	-	-	-	8.60 (1.60-9.20)	2.410 (0.360-3.520)	10.58	99
15+15	1.70	1.70	-	-	-	3.40 (1.80-5.00)	0.770 (0.520-2.800)	3.38	99
15+18	1.70	3.30	-	-	-	5.00 (1.80-6.10)	1.170 (0.500-2.780)	5.14	99
15+20	1.70	2.20	-	-	-	3.90 (1.80-5.80)	0.620 (0.490-2.775)	2.72	99
15+22	1.70	3.30	-	-	-	5.00 (1.80-6.10)	1.170 (0.490-3.000)	5.14	99
15+25	1.60	3.40	-	-	-	5.00 (1.80-6.10)	1.170 (0.520-3.680)	5.14	99
15+35	1.67	3.93	-	-	-	5.60 (1.80-7.70)	1.360 (0.480-3.150)	5.97	99
15+42	1.41	4.49	-	-	-	5.90 (1.80-8.20)	1.479 (0.480-3.275)	6.50	99
15+50	1.18	5.02	-	-	-	6.20 (1.80-8.60)	1.585 (0.480-3.320)	6.96	99
15+60	1.22	5.68	-	-	-	6.90 (1.80-9.10)	1.815 (0.470-3.290)	7.97	99
15+71	1.38	6.42	-	-	-	7.80 (1.80-9.80)	2.098 (0.460-3.255)	9.21	99
18+18	3.30	3.30	-	-	-	6.60 (1.80-7.20)	1.570 (0.480-2.760)	6.90	99
18+20	3.30	2.20	-	-	-	5.50 (1.80-6.90)	1.020 (0.500-3.215)	4.48	99
18+22	3.30	3.30	-	-	-	6.60 (1.80-7.20)	1.570 (0.520-3.670)	6.90	99
18+25	3.16	3.44	-	-	-	6.60 (1.80-7.20)	1.570 (0.490-2.990)	6.90	99
18+35	3.30	4.00	-	-	-	7.30 (1.80-9.00)	1.811 (0.480-3.195)	7.95	99
18+42	2.88	4.72	-	-	-	7.60 (1.80-9.50)	1.930 (0.480-3.320)	8.48	99
18+50	2.48	5.42	-	-	-	7.90 (1.80-9.70)	2.024 (0.480-3.310)	8.89	99
18+60	2.59	6.21	-	-	-	8.80 (1.80-10.40)	2.320 (0.470-3.270)	10.19	99
18+71	2.77	6.63	-	-	-	9.40 (1.80-11.00)	2.464 (0.450-3.255)	10.82	99
20+20	2.20	2.20	-	-	-	4.40 (1.80-6.60)	0.470 (0.520-3.670)	2.06	99
20+22	2.20	3.30	-	-	-	5.50 (1.80-6.90)	1.020 (0.500-3.215)	4.48	99
20+25	2.12	3.48	-	-	-	5.60 (1.80-7.20)	1.052 (0.480-2.825)	4.62	99
20+35	2.20	4.00	-	-	-	6.20 (1.80-8.90)	1.295 (0.480-3.230)	5.69	99
20+42	1.91	4.69	-	-	-	6.60 (1.80-9.30)	1.406 (0.480-3.320)	6.17	99
20+50	1.61	5.29	-	-	-	6.90 (1.80-9.50)	1.500 (0.480-3.310)	6.59	99
20+60	1.72	6.18	-	-	-	7.90 (1.80-10.30)	1.840 (0.470-3.265)	8.08	99
20+71	1.81	6.49	-	-	-	8.30 (1.80-10.70)	1.891 (0.450-3.260)	8.30	99
22+22	3.30	3.30	-	-	-	6.60 (1.80-7.20)	1.570 (0.480-2.760)	6.90	99
22+25	3.30	3.60	-	-	-	6.90 (1.80-8.00)	1.665 (0.480-2.950)	7.31	99
22+35	3.30	4.00	-	-	-	7.30 (1.80-9.30)	1.879 (0.480-3.265)	8.25	99
22+42	2.96	4.84	-	-	-	7.80 (1.80-9.60)	1.982 (0.480-3.320)	8.70	99

# MXZ-4D83VA HEATING

Indoor units combination	Heating capacity (kW)					Outdoor unit power consumption(kW)	Current (A)	Power factor(%)	
	Unit A	Unit B	Unit C	Unit D	Unit E				Total
22+50	2.58	5.62	-	-	-	8.20 (1.80-10.00)	2.120 (0.480-3.305)	9.31	99
22+60	2.71	6.49	-	-	-	9.20 (1.80-10.70)	2.460 (0.460-3.255)	10.80	99
22+71	2.77	6.63	-	-	-	9.40 (1.90-11.10)	2.419 (0.450-3.270)	10.62	99
25+25	3.60	3.60	-	-	-	7.20 (1.80-8.80)	1.760 (0.480-3.140)	7.73	99
25+35	3.60	4.00	-	-	-	7.60 (1.80-9.50)	1.930 (0.480-3.320)	8.48	99
25+42	3.16	4.74	-	-	-	7.90 (1.80-9.70)	2.021 (0.480-3.320)	8.88	99
25+50	2.83	5.67	-	-	-	8.50 (1.80-10.20)	2.225 (0.470-3.290)	9.77	99
25+60	2.94	6.46	-	-	-	9.40 (1.80-10.90)	2.519 (0.460-3.255)	11.06	99
25+71	2.94	6.46	-	-	-	9.40 (1.90-11.10)	2.385 (0.450-3.280)	10.47	99
35+35	4.00	4.00	-	-	-	8.00 (1.80-9.80)	2.060 (0.480-3.320)	9.05	99
35+42	3.70	5.00	-	-	-	8.70 (1.80-10.40)	2.305 (0.470-3.295)	10.12	99
35+50	3.36	6.04	-	-	-	9.40 (1.80-10.90)	2.529 (0.460-3.265)	11.11	99
35+60	3.16	6.24	-	-	-	9.40 (1.90-11.10)	2.406 (0.450-3.285)	10.57	99
35+71	3.16	6.24	-	-	-	9.40 (1.90-11.20)	2.271 (0.440-3.290)	9.97	99
42+42	4.70	4.70	-	-	-	9.40 (1.80-10.90)	2.550 (0.460-3.270)	11.20	99
42+50	4.03	5.37	-	-	-	9.40 (1.90-11.10)	2.450 (0.450-3.285)	10.76	99
42+71	3.82	5.58	-	-	-	9.40 (1.90-11.20)	2.191 (0.440-3.290)	9.62	99
50+50	4.70	4.70	-	-	-	9.40 (1.90-11.20)	2.350 (0.440-3.300)	10.32	99
50+60	4.48	4.92	-	-	-	9.40 (1.90-11.20)	2.225 (0.440-3.290)	9.77	99
50+71	4.48	4.92	-	-	-	9.40 (1.90-11.20)	2.100 (0.440-3.280)	9.22	99
60+60	4.70	4.70	-	-	-	9.40 (1.90-11.20)	2.100 (0.440-3.280)	9.22	99
60+71	4.70	4.70	-	-	-	9.40 (1.90-11.20)	2.090 (0.440-3.270)	9.18	99
15+15+15	1.70	1.70	1.70	-	-	5.10 (2.60-8.50)	1.150 (0.650-3.900)	5.05	99
15+15+18	1.60	1.60	3.10	-	-	6.30 (2.60-9.20)	1.420 (0.610-3.620)	6.24	99
15+15+20	1.70	1.70	2.20	-	-	5.60 (2.60-8.90)	1.310 (0.650-3.435)	5.75	99
15+15+22	1.60	1.60	3.10	-	-	6.30 (2.60-9.20)	1.420 (0.610-3.245)	6.24	99
15+15+25	1.53	1.53	3.24	-	-	6.30 (2.60-9.20)	1.420 (0.610-3.200)	6.24	99
15+15+35	1.45	1.45	3.41	-	-	6.30 (2.60-9.20)	1.420 (0.610-3.200)	6.24	99
15+15+42	1.26	1.26	3.99	-	-	6.50 (2.60-9.90)	1.473 (0.610-3.300)	6.47	99
15+15+50	1.09	1.09	4.62	-	-	6.80 (2.60-10.20)	1.565 (0.610-3.415)	6.87	99
15+15+60	1.05	1.05	4.89	-	-	7.00 (2.60-10.20)	1.620 (0.610-3.395)	7.11	99
15+15+71	1.05	1.05	4.89	-	-	7.00 (2.60-10.20)	1.610 (0.610-3.365)	7.07	99
15+18+18	1.54	2.98	2.98	-	-	7.50 (2.60-9.90)	1.690 (0.570-3.340)	7.42	99
15+18+20	1.61	3.12	2.08	-	-	6.80 (2.60-9.60)	1.580 (0.610-3.155)	6.94	99
15+18+22	1.54	2.98	2.98	-	-	7.50 (2.60-9.90)	1.690 (0.570-3.200)	7.42	99
15+18+25	1.48	2.88	3.14	-	-	7.50 (2.60-9.90)	1.690 (0.570-3.620)	7.42	99
15+18+35	1.44	2.79	3.38	-	-	7.60 (2.60-10.10)	1.708 (0.570-3.140)	7.50	99
15+18+42	1.28	2.48	4.05	-	-	7.80 (2.60-10.90)	1.770 (0.570-3.420)	7.77	99
15+18+60	1.08	2.10	5.02	-	-	8.20 (2.60-10.90)	1.890 (0.570-3.390)	8.30	99
15+18+71	1.08	2.10	5.02	-	-	8.20 (2.60-10.90)	1.880 (0.570-3.360)	8.26	99
15+20+20	1.70	2.20	2.20	-	-	6.10 (2.60-9.30)	1.470 (0.650-3.200)	6.46	99

# MXZ-4D83VA HEATING

Indoor units combination	Heating capacity (kW)						Outdoor unit power consumption(kW)	Current (A)	Power factor(%)
	Unit A	Unit B	Unit C	Unit D	Unit E	Total			
15+20+22	1.61	2.08	3.12	-	-	6.80 (2.60-9.60)	1.580 (0.610-3.480)	6.94	99
15+20+25	1.54	1.99	3.26	-	-	6.80 (2.60-9.60)	1.580 (0.610-3.900)	6.94	99
15+20+35	1.48	1.92	3.49	-	-	6.90 (2.60-10.00)	1.616 (0.610-3.220)	7.10	99
15+20+42	1.32	1.70	4.18	-	-	7.20 (2.60-10.60)	1.686 (0.610-3.420)	7.40	99
15+20+50	1.15	1.49	4.86	-	-	7.50 (2.60-10.60)	1.790 (0.610-3.410)	7.86	99
15+20+60	1.08	1.40	5.02	-	-	7.50 (2.60-10.60)	1.780 (0.610-3.385)	7.82	99
15+20+71	1.08	1.40	5.02	-	-	7.50 (2.60-10.60)	1.770 (0.610-3.360)	7.77	99
15+22+22	1.54	2.98	2.98	-	-	7.50 (2.60-9.90)	1.690 (0.570-3.760)	7.42	99
15+22+25	1.48	2.88	3.14	-	-	7.50 (2.60-9.90)	1.690 (0.570-3.620)	7.42	99
15+22+35	1.45	2.82	3.42	-	-	7.70 (2.60-10.60)	1.743 (0.570-3.300)	7.65	99
15+22+42	1.31	2.54	4.15	-	-	8.00 (2.60-10.90)	1.822 (0.570-3.415)	8.00	99
15+22+50	1.14	2.22	4.84	-	-	8.20 (2.60-10.90)	1.900 (0.570-3.405)	8.34	99
15+22+60	1.08	2.10	5.02	-	-	8.20 (2.60-10.90)	1.890 (0.570-3.380)	8.30	99
15+22+71	1.08	2.10	5.02	-	-	8.20 (2.60-10.90)	1.880 (0.570-3.360)	8.26	99
15+25+25	1.43	3.03	3.03	-	-	7.50 (2.60-9.90)	1.690 (0.570-3.200)	7.42	99
15+25+35	1.43	3.02	3.35	-	-	7.80 (2.60-10.90)	1.770 (0.570-3.420)	7.77	99
15+25+42	1.29	2.73	4.09	-	-	8.10 (2.60-10.90)	1.861 (0.570-3.415)	8.17	99
15+25+50	1.12	2.36	4.72	-	-	8.20 (2.60-10.90)	1.900 (0.570-3.405)	8.34	99
15+25+60	1.06	2.24	4.91	-	-	8.20 (2.60-10.90)	1.890 (0.570-3.380)	8.30	99
15+25+71	1.06	2.24	4.91	-	-	8.20 (2.60-10.90)	1.880 (0.570-3.360)	8.26	99
15+35+35	1.44	3.38	3.38	-	-	8.20 (2.60-10.90)	1.900 (0.570-3.410)	8.34	99
15+35+42	1.26	2.95	3.99	-	-	8.20 (2.60-10.90)	1.900 (0.570-3.400)	8.34	99
15+35+50	1.08	2.54	4.58	-	-	8.20 (2.60-10.90)	1.900 (0.570-3.390)	8.34	99
15+35+60	1.03	2.41	4.76	-	-	8.20 (2.60-10.90)	1.890 (0.570-3.370)	8.30	99
15+35+71	1.03	2.41	4.76	-	-	8.20 (2.60-10.90)	1.880 (0.570-3.360)	8.26	99
15+42+42	1.12	3.54	3.54	-	-	8.20 (2.60-10.90)	1.900 (0.570-3.390)	8.34	99
15+42+50	0.97	3.10	4.13	-	-	8.20 (2.60-10.90)	1.900 (0.570-3.380)	8.34	99
15+42+60	0.93	2.95	4.32	-	-	8.20 (2.60-10.90)	1.890 (0.570-3.370)	8.30	99
15+42+71	0.93	2.95	4.32	-	-	8.20 (2.60-10.90)	1.880 (0.570-3.360)	8.26	99
15+50+50	0.87	3.67	3.67	-	-	8.20 (2.60-10.90)	1.900 (0.570-3.380)	8.34	99
15+50+60	0.83	3.51	3.86	-	-	8.20 (2.60-10.90)	1.890 (0.570-3.370)	8.30	99
15+50+71	0.83	3.51	3.86	-	-	8.20 (2.60-10.90)	1.880 (0.570-3.360)	8.26	99
15+60+60	0.80	3.70	3.70	-	-	8.20 (2.60-10.90)	1.880 (0.570-3.360)	8.26	99
18+18+18	2.90	2.90	2.90	-	-	8.70 (2.60-10.60)	1.960 (0.530-3.060)	8.61	99
18+18+20	3.00	3.00	2.00	-	-	8.00 (2.60-10.30)	1.850 (0.570-3.340)	8.12	99
18+18+22	2.90	2.90	2.90	-	-	8.70 (2.60-10.60)	1.960 (0.530-3.620)	8.61	99
18+18+25	2.81	2.81	3.07	-	-	8.70 (2.60-10.60)	1.960 (0.530-3.760)	8.61	99
18+18+35	2.77	2.77	3.36	-	-	8.90 (2.60-11.20)	2.004 (0.530-3.260)	8.80	99
18+18+42	2.50	2.50	4.10	-	-	9.10 (2.60-11.60)	2.079 (0.530-3.415)	9.13	99
18+18+50	2.25	2.25	4.90	-	-	9.40 (2.60-11.60)	2.170 (0.530-3.410)	9.53	99
18+18+60	2.14	2.14	5.12	-	-	9.40 (2.60-11.60)	2.160 (0.530-3.385)	9.49	99

# MXZ-4D83VA HEATING

Indoor units combination	Heating capacity (kW)						Outdoor unit power consumption(kW)	Current (A)	Power factor(%)
	Unit A	Unit B	Unit C	Unit D	Unit E	Total			
18+18+71	2.14	2.14	5.12	-	-	9.40 (2.60-11.60)	2.150 (0.530-3.360)	9.44	99
18+20+20	3.13	2.09	2.09	-	-	7.30 (2.60-10.00)	1.740 (0.610-3.620)	7.64	99
18+20+22	3.00	2.00	3.00	-	-	8.00 (2.60-10.30)	1.850 (0.570-3.900)	8.12	99
18+20+25	2.90	1.93	3.16	-	-	8.00 (2.60-10.30)	1.850 (0.570-3.480)	8.12	99
18+20+35	2.85	1.90	3.45	-	-	8.20 (2.60-11.10)	1.912 (0.570-3.340)	8.40	99
18+20+42	2.57	1.72	4.21	-	-	8.50 (2.60-11.30)	1.995 (0.570-3.415)	8.76	99
18+20+50	2.26	1.51	4.93	-	-	8.70 (2.60-11.30)	2.060 (0.570-3.405)	9.05	99
18+20+60	2.14	1.43	5.13	-	-	8.70 (2.60-11.30)	2.050 (0.570-3.380)	9.00	99
18+20+71	2.14	1.43	5.13	-	-	8.70 (2.60-11.30)	2.040 (0.570-3.360)	8.96	99
18+22+22	2.90	2.90	2.90	-	-	8.70 (2.60-10.60)	1.960 (0.530-3.620)	8.61	99
18+22+25	2.81	2.81	3.07	-	-	8.70 (2.60-10.60)	1.960 (0.530-3.200)	8.61	99
18+22+35	2.80	2.80	3.40	-	-	9.00 (2.60-11.60)	2.040 (0.530-3.420)	8.96	99
18+22+42	2.56	2.56	4.19	-	-	9.30 (2.60-11.60)	2.131 (0.530-3.415)	9.36	99
18+22+50	2.25	2.25	4.90	-	-	9.40 (2.60-11.60)	2.170 (0.530-3.405)	9.53	99
18+22+60	2.14	2.14	5.12	-	-	9.40 (2.60-11.60)	2.160 (0.530-3.380)	9.49	99
18+22+71	2.14	2.14	5.12	-	-	9.40 (2.60-11.60)	2.150 (0.530-3.360)	9.44	99
18+25+25	2.77	3.02	3.02	-	-	8.80 (2.60-10.80)	1.978 (0.530-3.140)	8.69	99
18+25+35	2.76	3.01	3.34	-	-	9.10 (2.60-11.60)	2.079 (0.530-3.415)	9.13	99
18+25+42	2.52	2.75	4.13	-	-	9.40 (2.60-11.60)	2.170 (0.530-3.410)	9.53	99
18+25+50	2.20	2.40	4.80	-	-	9.40 (2.60-11.60)	2.170 (0.530-3.400)	9.53	99
18+25+60	2.10	2.29	5.02	-	-	9.40 (2.60-11.60)	2.160 (0.530-3.375)	9.49	99
18+25+71	2.10	2.29	5.02	-	-	9.40 (2.60-11.60)	2.150 (0.530-3.360)	9.44	99
18+35+35	2.75	3.33	3.33	-	-	9.40 (2.60-11.60)	2.170 (0.530-3.405)	9.53	99
18+35+42	2.44	2.96	4.00	-	-	9.40 (2.60-11.60)	2.170 (0.530-3.395)	9.53	99
18+35+50	2.14	2.59	4.67	-	-	9.40 (2.60-11.60)	2.170 (0.530-3.385)	9.53	99
18+35+60	2.04	2.47	4.89	-	-	9.40 (2.60-11.60)	2.160 (0.530-3.370)	9.49	99
18+35+71	2.04	2.47	4.89	-	-	9.40 (2.60-11.60)	2.150 (0.530-3.360)	9.44	99
18+42+42	2.20	3.60	3.60	-	-	9.40 (2.60-11.60)	2.170 (0.530-3.385)	9.53	99
18+42+50	1.95	3.19	4.26	-	-	9.40 (2.60-11.60)	2.170 (0.530-3.380)	9.53	99
18+42+60	1.87	3.06	4.47	-	-	9.40 (2.60-11.60)	2.160 (0.530-3.370)	9.49	99
18+42+71	1.87	3.06	4.47	-	-	9.40 (2.60-11.60)	2.150 (0.530-3.360)	9.44	99
18+50+50	1.75	3.82	3.82	-	-	9.40 (2.60-11.60)	2.170 (0.530-3.380)	9.53	99
18+50+60	1.69	3.68	4.04	-	-	9.40 (2.60-11.60)	2.160 (0.530-3.370)	9.49	99
18+50+71	1.69	3.68	4.04	-	-	9.40 (2.60-11.60)	2.150 (0.530-3.360)	9.44	99
18+60+60	1.62	3.89	3.89	-	-	9.40 (2.60-11.60)	2.150 (0.530-3.360)	9.44	99
20+20+20	2.20	2.20	2.20	-	-	6.60 (2.60-9.70)	1.630 (0.650-3.900)	7.16	99
20+20+22	2.09	2.09	3.13	-	-	7.30 (2.60-10.00)	1.740 (0.610-3.620)	7.64	99
20+20+25	2.01	2.01	3.29	-	-	7.30 (2.60-10.00)	1.740 (0.610-3.200)	7.64	99
20+20+35	1.99	1.99	3.62	-	-	7.60 (2.60-11.00)	1.820 (0.610-3.420)	7.99	99
20+20+42	1.77	1.77	4.35	-	-	7.90 (2.60-11.00)	1.911 (0.610-3.415)	8.39	99
20+20+50	1.52	1.52	4.97	-	-	8.00 (2.60-11.00)	1.950 (0.610-3.405)	8.56	99



# MXZ-4D83VA HEATING

Indoor units combination	Heating capacity (kW)						Outdoor unit power consumption(kW)	Current (A)	Power factor(%)
	Unit A	Unit B	Unit C	Unit D	Unit E	Total			
20+20+60	1.43	1.43	5.14	-	-	8.00 (2.60-11.00)	1.940 (0.610-3.380)	8.52	99
20+20+71	1.43	1.43	5.14	-	-	8.00 (2.60-11.00)	1.930 (0.610-3.360)	8.48	99
20+22+22	2.00	3.00	3.00	-	-	8.00 (2.60-10.30)	1.850 (0.570-3.340)	8.12	99
20+22+25	1.93	2.90	3.16	-	-	8.00 (2.60-10.40)	1.859 (0.570-3.100)	8.16	99
20+22+35	1.95	2.92	3.54	-	-	8.40 (2.60-11.30)	1.956 (0.570-3.420)	8.59	99
20+22+42	1.76	2.63	4.31	-	-	8.70 (2.60-11.30)	2.047 (0.570-3.410)	8.99	99
20+22+50	1.51	2.26	4.93	-	-	8.70 (2.60-11.30)	2.060 (0.570-3.400)	9.05	99
20+22+60	1.43	2.14	5.13	-	-	8.70 (2.60-11.30)	2.050 (0.570-3.375)	9.00	99
20+22+71	1.43	2.14	5.13	-	-	8.70 (2.60-11.30)	2.040 (0.570-3.360)	8.96	99
20+25+25	1.90	3.10	3.10	-	-	8.10 (2.60-10.70)	1.886 (0.570-3.220)	8.28	99
20+25+35	1.91	3.12	3.47	-	-	8.50 (2.60-11.30)	1.995 (0.570-3.415)	8.76	99
20+25+42	1.71	2.80	4.19	-	-	8.70 (2.60-11.30)	2.060 (0.570-3.405)	9.05	99
20+25+50	1.47	2.41	4.82	-	-	8.70 (2.60-11.30)	2.060 (0.570-3.395)	9.05	99
20+25+60	1.40	2.29	5.02	-	-	8.70 (2.60-11.30)	2.050 (0.570-3.370)	9.00	99
20+25+71	1.40	2.29	5.02	-	-	8.70 (2.60-11.30)	2.040 (0.570-3.360)	8.96	99
20+35+35	1.88	3.41	3.41	-	-	8.70 (2.60-11.30)	2.060 (0.570-3.405)	9.05	99
20+35+42	1.65	3.00	4.05	-	-	8.70 (2.60-11.30)	2.060 (0.570-3.390)	9.05	99
20+35+50	1.43	2.60	4.67	-	-	8.70 (2.60-11.30)	2.060 (0.570-3.380)	9.05	99
20+35+60	1.36	2.47	4.87	-	-	8.70 (2.60-11.30)	2.050 (0.570-3.370)	9.00	99
20+35+71	1.36	2.47	4.87	-	-	8.70 (2.60-11.30)	2.040 (0.570-3.360)	8.96	99
20+42+42	1.47	3.61	3.61	-	-	8.70 (2.60-11.30)	2.060 (0.570-3.380)	9.05	99
20+42+50	1.29	3.17	4.23	-	-	8.70 (2.60-11.30)	2.060 (0.570-3.380)	9.05	99
20+42+60	1.23	3.03	4.43	-	-	8.70 (2.60-11.30)	2.050 (0.570-3.370)	9.00	99
20+42+71	1.23	3.03	4.43	-	-	8.70 (2.60-11.30)	2.040 (0.570-3.360)	8.96	99
20+50+50	1.15	3.77	3.77	-	-	8.70 (2.60-11.30)	2.060 (0.570-3.380)	9.05	99
20+50+60	1.11	3.62	3.97	-	-	8.70 (2.60-11.30)	2.050 (0.570-3.370)	9.00	99
20+50+71	1.11	3.62	3.97	-	-	8.70 (2.60-11.30)	2.040 (0.570-3.360)	8.96	99
20+60+60	1.06	3.82	3.82	-	-	8.70 (2.60-11.30)	2.040 (0.570-3.360)	8.96	99
22+22+22	2.90	2.90	2.90	-	-	8.70 (2.60-10.60)	1.960 (0.530-3.060)	8.61	99
22+22+25	2.85	2.85	3.11	-	-	8.80 (2.60-10.90)	1.987 (0.530-3.180)	8.73	99
22+22+35	2.86	2.86	3.47	-	-	9.20 (2.60-11.60)	2.092 (0.530-3.415)	9.19	99
22+22+42	2.59	2.59	4.23	-	-	9.40 (2.60-11.60)	2.170 (0.530-3.410)	9.53	99
22+22+50	2.25	2.25	4.90	-	-	9.40 (2.60-11.60)	2.170 (0.530-3.395)	9.53	99
22+22+60	2.14	2.14	5.12	-	-	9.40 (2.60-11.60)	2.160 (0.530-3.370)	9.49	99
22+22+71	2.14	2.14	5.12	-	-	9.40 (2.60-11.60)	2.150 (0.530-3.360)	9.44	99
22+25+25	2.80	3.05	3.05	-	-	8.90 (2.60-11.30)	2.013 (0.530-3.300)	8.84	99
22+25+35	2.82	3.07	3.41	-	-	9.30 (2.60-11.60)	2.131 (0.530-3.415)	9.36	99
22+25+42	2.52	2.75	4.13	-	-	9.40 (2.60-11.60)	2.170 (0.530-3.405)	9.53	99
22+25+50	2.20	2.40	4.80	-	-	9.40 (2.60-11.60)	2.170 (0.530-3.390)	9.53	99
22+25+60	2.10	2.29	5.02	-	-	9.40 (2.60-11.60)	2.160 (0.530-3.370)	9.49	99
22+25+71	2.10	2.29	5.02	-	-	9.40 (2.60-11.60)	2.150 (0.530-3.360)	9.44	99

# MXZ-4D83VA HEATING

Indoor units combination	Heating capacity (kW)						Outdoor unit power consumption(kW)	Current (A)	Power factor(%)
	Unit A	Unit B	Unit C	Unit D	Unit E	Total			
22+35+35	2.75	3.33	3.33	-	-	9.40 (2.60-11.60)	2.170 (0.530-3.400)	9.53	99
22+35+42	2.44	2.96	4.00	-	-	9.40 (2.60-11.60)	2.170 (0.530-3.390)	9.53	99
22+35+50	2.14	2.59	4.67	-	-	9.40 (2.60-11.60)	2.170 (0.530-3.380)	9.53	99
22+35+60	2.04	2.47	4.89	-	-	9.40 (2.60-11.60)	2.160 (0.530-3.370)	9.49	99
22+35+71	2.04	2.47	4.89	-	-	9.40 (2.60-11.60)	2.150 (0.530-3.360)	9.44	99
22+42+42	2.20	3.60	3.60	-	-	9.40 (2.60-11.60)	2.170 (0.530-3.380)	9.53	99
22+42+50	1.95	3.19	4.26	-	-	9.40 (2.60-11.60)	2.170 (0.530-3.380)	9.53	99
22+42+60	1.87	3.06	4.47	-	-	9.40 (2.60-11.60)	2.160 (0.530-3.370)	9.49	99
22+42+71	1.87	3.06	4.47	-	-	9.40 (2.60-11.60)	2.150 (0.530-3.360)	9.44	99
22+50+50	1.75	3.82	3.82	-	-	9.40 (2.60-11.60)	2.170 (0.530-3.380)	9.53	99
22+50+60	1.69	3.68	4.04	-	-	9.40 (2.60-11.60)	2.160 (0.530-3.370)	9.49	99
22+50+71	1.69	3.68	4.04	-	-	9.40 (2.60-11.60)	2.150 (0.530-3.360)	9.44	99
22+60+60	1.62	3.89	3.89	-	-	9.40 (2.60-11.60)	2.150 (0.530-3.360)	9.44	99
25+25+25	3.00	3.00	3.00	-	-	9.00 (2.60-11.60)	2.040 (0.530-3.420)	8.96	99
25+25+35	3.02	3.02	3.36	-	-	9.40 (2.60-11.60)	2.170 (0.530-3.410)	9.53	99
25+25+42	2.69	2.69	4.03	-	-	9.40 (2.60-11.60)	2.170 (0.530-3.400)	9.53	99
25+25+50	2.35	2.35	4.70	-	-	9.40 (2.60-11.60)	2.170 (0.530-3.390)	9.53	99
25+25+60	2.24	2.24	4.92	-	-	9.40 (2.60-11.60)	2.160 (0.530-3.370)	9.49	99
25+25+71	2.24	2.24	4.92	-	-	9.40 (2.60-11.60)	2.150 (0.530-3.360)	9.44	99
25+35+35	2.92	3.24	3.24	-	-	9.40 (2.60-11.60)	2.170 (0.530-3.395)	9.53	99
25+35+42	2.60	2.89	3.90	-	-	9.40 (2.60-11.60)	2.170 (0.530-3.385)	9.53	99
25+35+50	2.29	2.54	4.57	-	-	9.40 (2.60-11.60)	2.170 (0.530-3.380)	9.53	99
25+35+60	2.18	2.43	4.79	-	-	9.40 (2.60-11.60)	2.160 (0.530-3.370)	9.49	99
25+35+71	2.18	2.43	4.79	-	-	9.40 (2.60-11.60)	2.150 (0.530-3.360)	9.44	99
25+42+42	2.35	3.53	3.53	-	-	9.40 (2.60-11.60)	2.170 (0.530-3.380)	9.53	99
25+42+50	2.09	3.13	4.18	-	-	9.40 (2.60-11.60)	2.170 (0.530-3.380)	9.53	99
25+42+60	2.00	3.00	4.39	-	-	9.40 (2.60-11.60)	2.160 (0.530-3.370)	9.49	99
25+42+71	2.00	3.00	4.39	-	-	9.40 (2.60-11.60)	2.150 (0.530-3.360)	9.44	99
25+50+50	1.88	3.76	3.76	-	-	9.40 (2.60-11.60)	2.170 (0.530-3.380)	9.53	99
25+50+60	1.81	3.62	3.97	-	-	9.40 (2.60-11.60)	2.160 (0.530-3.370)	9.49	99
25+60+60	1.74	3.83	3.83	-	-	9.40 (2.60-11.60)	2.150 (0.530-3.360)	9.44	99
35+35+35	3.13	3.13	3.13	-	-	9.40 (2.60-11.60)	2.170 (0.530-3.380)	9.53	99
35+35+42	2.81	2.81	3.79	-	-	9.40 (2.60-11.60)	2.170 (0.530-3.380)	9.53	99
35+35+50	2.47	2.47	4.45	-	-	9.40 (2.60-11.60)	2.170 (0.530-3.380)	9.53	99
35+35+60	2.36	2.36	4.67	-	-	9.40 (2.60-11.60)	2.160 (0.530-3.370)	9.49	99
35+35+71	2.36	2.36	4.67	-	-	9.40 (2.60-11.60)	2.150 (0.530-3.360)	9.44	99
35+42+42	2.54	3.43	3.43	-	-	9.40 (2.60-11.60)	2.170 (0.530-3.380)	9.53	99
35+42+50	2.27	3.06	4.08	-	-	9.40 (2.60-11.60)	2.170 (0.530-3.380)	9.53	99
35+42+60	2.17	2.93	4.29	-	-	9.40 (2.60-11.60)	2.160 (0.530-3.370)	9.49	99
35+50+50	2.04	3.68	3.68	-	-	9.40 (2.60-11.60)	2.170 (0.530-3.380)	9.53	99
35+50+60	1.97	3.54	3.89	-	-	9.40 (2.60-11.60)	2.160 (0.530-3.370)	9.49	99

# MXZ-4D83VA HEATING

Indoor units combination	Heating capacity (kW)						Outdoor unit power consumption(kW)	Current (A)	Power factor(%)
	Unit A	Unit B	Unit C	Unit D	Unit E	Total			
42+42+42	3.13	3.13	3.13	-	-	9.40 (2.60-11.60)	2.170 (0.530-3.380)	9.53	99
42+42+50	2.82	2.82	3.76	-	-	9.40 (2.60-11.60)	2.170 (0.530-3.380)	9.53	99
42+42+60	2.71	2.71	3.97	-	-	9.40 (2.60-11.60)	2.160 (0.530-3.370)	9.49	99
42+50+50	2.56	3.42	3.42	-	-	9.40 (2.60-11.60)	2.170 (0.530-3.380)	9.53	99
15+15+15+15	1.70	1.70	1.70	1.70	-	6.80 (3.40-8.80)	1.532 (0.790-3.900)	6.73	99
15+15+15+18	1.52	1.52	1.52	2.95	-	7.50 (3.40-9.50)	1.727 (0.740-3.780)	7.58	99
15+15+15+20	1.70	1.70	1.70	2.20	-	7.30 (3.40-9.30)	1.697 (0.790-3.700)	7.45	99
15+15+15+22	1.52	1.52	1.52	2.95	-	7.50 (3.40-9.50)	1.727 (0.740-3.620)	7.58	99
15+15+15+25	1.47	1.47	1.47	3.10	-	7.50 (3.40-9.50)	1.727 (0.740-3.500)	7.58	99
15+15+15+35	1.40	1.40	1.40	3.30	-	7.50 (3.40-9.50)	1.727 (0.740-3.900)	7.58	99
15+15+15+42	1.21	1.21	1.21	3.86	-	7.50 (3.40-9.50)	1.727 (0.740-3.480)	7.58	99
15+15+15+50	1.04	1.04	1.04	4.39	-	7.50 (3.40-9.50)	1.727 (0.740-3.420)	7.58	99
15+15+15+60	0.98	0.98	0.98	4.56	-	7.50 (3.40-9.50)	1.717 (0.740-3.410)	7.54	99
15+15+15+71	0.98	0.98	0.98	4.56	-	7.50 (3.40-9.50)	1.707 (0.740-3.400)	7.50	99
15+15+18+18	1.36	1.36	2.64	2.64	-	8.00 (3.40-10.20)	1.922 (0.690-3.660)	8.44	99
15+15+18+20	1.49	1.49	2.89	1.93	-	7.80 (3.40-10.00)	1.892 (0.740-3.580)	8.31	99
15+15+18+22	1.36	1.36	2.64	2.64	-	8.00 (3.40-10.20)	1.922 (0.690-3.500)	8.44	99
15+15+18+25	1.32	1.32	2.56	2.80	-	8.00 (3.40-10.20)	1.922 (0.690-3.480)	8.44	99
15+15+18+42	1.12	1.12	2.18	3.57	-	8.00 (3.40-10.20)	1.922 (0.690-3.420)	8.44	99
15+15+18+50	0.98	0.98	1.90	4.14	-	8.00 (3.40-10.20)	1.922 (0.690-3.420)	8.44	99
15+15+18+60	0.93	0.93	1.81	4.33	-	8.00 (3.40-10.20)	1.912 (0.690-3.410)	8.40	99
15+15+18+71	0.93	0.93	1.81	4.33	-	8.00 (3.40-10.20)	1.902 (0.690-3.400)	8.35	99
15+15+20+20	1.66	1.66	2.14	2.14	-	7.60 (3.40-9.80)	1.862 (0.790-3.500)	8.18	99
15+15+20+22	1.49	1.49	1.93	2.89	-	7.80 (3.40-10.00)	1.892 (0.740-3.420)	8.31	99
15+15+20+25	1.44	1.44	1.87	3.05	-	7.80 (3.40-10.00)	1.892 (0.740-3.600)	8.31	99
15+15+20+35	1.38	1.38	1.79	3.25	-	7.80 (3.40-10.00)	1.892 (0.740-3.600)	8.31	99
15+15+20+42	1.21	1.21	1.56	3.83	-	7.80 (3.40-10.00)	1.892 (0.740-3.420)	8.31	99
15+15+20+50	1.04	1.04	1.34	4.39	-	7.80 (3.40-10.00)	1.892 (0.740-3.420)	8.31	99
15+15+20+60	0.98	0.98	1.27	4.56	-	7.80 (3.40-10.00)	1.882 (0.740-3.410)	8.27	99
15+15+20+71	0.98	0.98	1.27	4.56	-	7.80 (3.40-10.00)	1.872 (0.740-3.400)	8.22	99
15+15+22+22	1.36	1.36	2.64	2.64	-	8.00 (3.40-10.20)	1.922 (0.690-3.540)	8.44	99
15+15+22+25	1.32	1.32	2.56	2.80	-	8.00 (3.40-10.20)	1.922 (0.690-3.720)	8.44	99
15+15+22+35	1.27	1.27	2.47	2.99	-	8.00 (3.40-10.20)	1.922 (0.690-3.480)	8.44	99
15+15+22+42	1.12	1.12	2.18	3.57	-	8.00 (3.40-10.20)	1.922 (0.690-3.420)	8.44	99
15+15+22+50	0.98	0.98	1.90	4.14	-	8.00 (3.40-10.20)	1.922 (0.690-3.420)	8.44	99
15+15+22+60	0.93	0.93	1.81	4.33	-	8.00 (3.40-10.20)	1.912 (0.690-3.410)	8.40	99
15+15+22+71	0.93	0.93	1.81	4.33	-	8.00 (3.40-10.20)	1.902 (0.690-3.400)	8.35	99
15+15+25+25	1.28	1.28	2.72	2.72	-	8.00 (3.40-10.20)	1.922 (0.690-3.900)	8.44	99
15+15+25+35	1.24	1.24	2.62	2.91	-	8.00 (3.40-10.20)	1.922 (0.690-3.420)	8.44	99
15+15+25+42	1.10	1.10	2.32	3.48	-	8.00 (3.40-10.20)	1.922 (0.690-3.420)	8.44	99
15+15+25+50	0.96	0.96	2.03	4.06	-	8.00 (3.40-10.20)	1.922 (0.690-3.420)	8.44	99

# MXZ-4D83VA HEATING

Indoor units combination	Heating capacity (kW)						Outdoor unit power consumption(kW)	Current (A)	Power factor(%)
	Unit A	Unit B	Unit C	Unit D	Unit E	Total			
15+15+25+60	0.91	0.91	1.93	4.24	-	8.00 (3.40-10.20)	1.912 (0.690-3.410)	8.40	99
15+15+25+71	0.91	0.91	1.93	4.24	-	8.00 (3.40-10.20)	1.902 (0.690-3.400)	8.35	99
15+15+35+35	1.19	1.19	2.81	2.81	-	8.00 (3.40-10.20)	1.922 (0.690-3.420)	8.44	99
15+15+35+42	1.06	1.06	2.50	3.38	-	8.00 (3.40-10.20)	1.922 (0.690-3.420)	8.44	99
15+15+35+50	0.93	0.93	2.19	3.95	-	8.00 (3.40-10.20)	1.922 (0.690-3.420)	8.44	99
15+15+35+60	0.89	0.89	2.09	4.13	-	8.00 (3.40-10.20)	1.912 (0.690-3.410)	8.40	99
15+15+35+71	0.89	0.89	2.09	4.13	-	8.00 (3.40-10.20)	1.902 (0.690-3.400)	8.35	99
15+15+42+42	0.96	0.96	3.04	3.04	-	8.00 (3.40-10.20)	1.922 (0.690-3.420)	8.44	99
15+15+42+50	0.85	0.85	2.70	3.60	-	8.00 (3.40-10.20)	1.922 (0.690-3.420)	8.44	99
15+15+42+60	0.81	0.81	2.59	3.78	-	8.00 (3.40-10.20)	1.912 (0.690-3.410)	8.40	99
15+15+42+71	0.81	0.81	2.59	3.78	-	8.00 (3.40-10.20)	1.902 (0.690-3.400)	8.35	99
15+15+50+50	0.76	0.76	3.24	3.24	-	8.00 (3.40-10.20)	1.922 (0.690-3.420)	8.44	99
15+15+50+60	0.74	0.74	3.11	3.42	-	8.00 (3.40-10.20)	1.912 (0.690-3.410)	8.40	99
15+18+18+18	1.25	2.42	2.42	2.42	-	8.50 (3.40-10.90)	2.117 (0.640-3.540)	9.30	99
15+18+18+20	1.34	2.61	2.61	1.74	-	8.30 (3.40-10.70)	2.087 (0.690-3.460)	9.17	99
15+18+18+22	1.25	2.42	2.42	2.42	-	8.50 (3.40-10.90)	2.117 (0.640-3.480)	9.30	99
15+18+18+25	1.21	2.36	2.36	2.57	-	8.50 (3.40-10.90)	2.117 (0.640-3.660)	9.30	99
15+18+18+35	1.17	2.28	2.28	2.76	-	8.50 (3.40-10.90)	2.117 (0.640-3.540)	9.30	99
15+18+18+42	1.05	2.05	2.05	3.35	-	8.50 (3.40-10.90)	2.117 (0.640-3.420)	9.30	99
15+18+18+50	0.93	1.81	1.81	3.95	-	8.50 (3.40-10.90)	2.117 (0.640-3.420)	9.30	99
15+18+18+60	0.89	1.73	1.73	4.15	-	8.50 (3.40-10.90)	2.107 (0.640-3.410)	9.25	99
15+18+18+71	0.89	1.73	1.73	4.15	-	8.50 (3.40-10.90)	2.097 (0.640-3.400)	9.21	99
15+18+20+20	1.46	2.84	1.90	1.90	-	8.10 (3.40-10.50)	2.057 (0.740-3.480)	9.03	99
15+18+20+22	1.34	2.61	1.74	2.61	-	8.30 (3.40-10.70)	2.087 (0.690-3.600)	9.17	99
15+18+20+25	1.31	2.54	1.69	2.77	-	8.30 (3.40-10.70)	2.087 (0.690-3.780)	9.17	99
15+18+20+35	1.26	2.45	1.63	2.96	-	8.30 (3.40-10.70)	2.087 (0.690-3.420)	9.17	99
15+18+20+42	1.12	2.17	1.45	3.56	-	8.30 (3.40-10.70)	2.087 (0.690-3.420)	9.17	99
15+18+20+50	0.98	1.90	1.27	4.15	-	8.30 (3.40-10.70)	2.087 (0.690-3.420)	9.17	99
15+18+20+60	0.93	1.81	1.21	4.34	-	8.30 (3.40-10.70)	2.077 (0.690-3.410)	9.12	99
15+18+20+71	0.93	1.81	1.21	4.34	-	8.30 (3.40-10.70)	2.067 (0.690-3.400)	9.08	99
15+18+22+22	1.25	2.42	2.42	2.42	-	8.50 (3.40-10.90)	2.117 (0.640-3.720)	9.30	99
15+18+22+25	1.21	2.36	2.36	2.57	-	8.50 (3.40-10.90)	2.117 (0.640-3.900)	9.30	99
15+18+22+35	1.17	2.28	2.28	2.76	-	8.50 (3.40-10.90)	2.117 (0.640-3.420)	9.30	99
15+18+22+42	1.05	2.05	2.05	3.35	-	8.50 (3.40-10.90)	2.117 (0.640-3.420)	9.30	99
15+18+22+50	0.93	1.81	1.81	3.95	-	8.50 (3.40-10.90)	2.117 (0.640-3.420)	9.30	99
15+18+22+60	0.89	1.73	1.73	4.15	-	8.50 (3.40-10.90)	2.107 (0.640-3.410)	9.25	99
15+18+22+71	0.89	1.73	1.73	4.15	-	8.50 (3.40-10.90)	2.097 (0.640-3.400)	9.21	99
15+18+25+35	1.15	2.23	2.43	2.70	-	8.50 (3.40-10.90)	2.117 (0.640-3.420)	9.30	99
15+18+25+42	1.03	2.00	2.19	3.28	-	8.50 (3.40-10.90)	2.117 (0.640-3.420)	9.30	99
15+18+25+50	0.91	1.78	1.94	3.87	-	8.50 (3.40-10.90)	2.117 (0.640-3.420)	9.30	99
15+18+25+60	0.88	1.70	1.85	4.07	-	8.50 (3.40-10.90)	2.107 (0.640-3.410)	9.25	99

# MXZ-4D83VA HEATING

Indoor units combination	Heating capacity (kW)						Outdoor unit power consumption(kW)	Current (A)	Power factor(%)
	Unit A	Unit B	Unit C	Unit D	Unit E	Total			
15+18+25+71	0.88	1.70	1.85	4.07	-	8.50 (3.40-10.90)	2.097 (0.640-3.400)	9.21	99
15+18+35+35	1.11	2.16	2.62	2.62	-	8.50 (3.40-10.90)	2.117 (0.640-3.420)	9.30	99
15+18+35+42	1.00	1.95	2.36	3.19	-	8.50 (3.40-10.90)	2.117 (0.640-3.420)	9.30	99
15+18+35+50	0.89	1.73	2.10	3.78	-	8.50 (3.40-10.90)	2.117 (0.640-3.420)	9.30	99
15+18+35+60	0.86	1.66	2.01	3.97	-	8.50 (3.40-10.90)	2.107 (0.640-3.410)	9.25	99
15+18+35+71	0.86	1.66	2.01	3.97	-	8.50 (3.40-10.90)	2.097 (0.640-3.400)	9.21	99
15+18+42+42	0.91	1.78	2.91	2.91	-	8.50 (3.40-10.90)	2.117 (0.640-3.420)	9.30	99
15+18+42+50	0.82	1.59	2.61	3.48	-	8.50 (3.40-10.90)	2.117 (0.640-3.420)	9.30	99
15+18+42+60	0.79	1.53	2.51	3.67	-	8.50 (3.40-10.90)	2.107 (0.640-3.410)	9.25	99
15+18+50+50	0.74	1.45	3.15	3.15	-	8.50 (3.40-10.90)	2.117 (0.640-3.420)	9.30	99
15+18+50+60	0.72	1.40	3.04	3.34	-	8.50 (3.40-10.90)	2.107 (0.640-3.410)	9.25	99
15+20+20+20	1.62	2.09	2.09	2.09	-	7.90 (3.40-10.30)	2.027 (0.790-3.600)	8.90	99
15+20+20+22	1.46	1.90	1.90	2.84	-	8.10 (3.40-10.50)	2.057 (0.740-3.720)	9.03	99
15+20+20+25	1.42	1.84	1.84	3.01	-	8.10 (3.40-10.50)	2.057 (0.740-3.900)	9.03	99
15+20+20+35	1.36	1.76	1.76	3.21	-	8.10 (3.40-10.50)	2.057 (0.740-3.420)	9.03	99
15+20+20+42	1.20	1.55	1.55	3.80	-	8.10 (3.40-10.50)	2.057 (0.740-3.420)	9.03	99
15+20+20+50	1.04	1.34	1.34	4.38	-	8.10 (3.40-10.50)	2.057 (0.740-3.420)	9.03	99
15+20+20+60	0.98	1.27	1.27	4.57	-	8.10 (3.40-10.50)	2.047 (0.740-3.410)	8.99	99
15+20+20+71	0.98	1.27	1.27	4.57	-	8.10 (3.40-10.50)	2.037 (0.740-3.400)	8.95	99
15+20+22+22	1.34	1.74	2.61	2.61	-	8.30 (3.40-10.70)	2.087 (0.690-3.840)	9.17	99
15+20+22+25	1.31	1.69	2.54	2.77	-	8.30 (3.40-10.70)	2.087 (0.690-3.780)	9.17	99
15+20+22+35	1.26	1.63	2.45	2.96	-	8.30 (3.40-10.70)	2.087 (0.690-3.420)	9.17	99
15+20+22+42	1.12	1.45	2.17	3.56	-	8.30 (3.40-10.70)	2.087 (0.690-3.420)	9.17	99
15+20+22+50	0.98	1.27	1.90	4.15	-	8.30 (3.40-10.70)	2.087 (0.690-3.420)	9.17	99
15+20+22+60	0.93	1.21	1.81	4.34	-	8.30 (3.40-10.70)	2.077 (0.690-3.410)	9.12	99
15+20+22+71	0.93	1.21	1.81	4.34	-	8.30 (3.40-10.70)	2.067 (0.690-3.400)	9.08	99
15+20+25+25	1.27	1.65	2.69	2.69	-	8.30 (3.40-10.70)	2.087 (0.690-3.600)	9.17	99
15+20+25+35	1.23	1.59	2.60	2.89	-	8.30 (3.40-10.70)	2.087 (0.690-3.420)	9.17	99
15+20+25+42	1.09	1.42	2.32	3.47	-	8.30 (3.40-10.70)	2.087 (0.690-3.420)	9.17	99
15+20+25+50	0.96	1.24	2.03	4.07	-	8.30 (3.40-10.70)	2.087 (0.690-3.420)	9.17	99
15+20+25+60	0.92	1.19	1.94	4.26	-	8.30 (3.40-10.70)	2.077 (0.690-3.410)	9.12	99
15+20+25+71	0.92	1.19	1.94	4.26	-	8.30 (3.40-10.70)	2.067 (0.690-3.400)	9.08	99
15+20+35+35	1.19	1.53	2.79	2.79	-	8.30 (3.40-10.70)	2.087 (0.690-3.420)	9.17	99
15+20+35+42	1.06	1.37	2.50	3.37	-	8.30 (3.40-10.70)	2.087 (0.690-3.420)	9.17	99
15+20+35+50	0.93	1.21	2.20	3.96	-	8.30 (3.40-10.70)	2.087 (0.690-3.420)	9.17	99
15+20+35+60	0.89	1.16	2.10	4.15	-	8.30 (3.40-10.70)	2.077 (0.690-3.410)	9.12	99
15+20+35+71	0.89	1.16	2.10	4.15	-	8.30 (3.40-10.70)	2.067 (0.690-3.400)	9.08	99
15+20+42+42	0.96	1.24	3.05	3.05	-	8.30 (3.40-10.70)	2.087 (0.690-3.420)	9.17	99
15+20+42+50	0.86	1.11	2.72	3.62	-	8.30 (3.40-10.70)	2.087 (0.690-3.420)	9.17	99
15+20+42+60	0.82	1.06	2.61	3.81	-	8.30 (3.40-10.70)	2.077 (0.690-3.410)	9.12	99
15+20+50+50	0.77	1.00	3.27	3.27	-	8.30 (3.40-10.70)	2.087 (0.690-3.420)	9.17	99

# MXZ-4D83VA HEATING

Indoor units combination	Heating capacity (kW)						Outdoor unit power consumption(kW)	Current (A)	Power factor(%)
	Unit A	Unit B	Unit C	Unit D	Unit E	Total			
15+20+50+60	0.74	0.96	3.15	3.45	-	8.30 (3.40-10.70)	2.077 (0.690-3.410)	9.12	99
15+22+22+22	1.25	2.42	2.42	2.42	-	8.50 (3.40-10.90)	2.117 (0.640-3.840)	9.30	99
15+22+22+25	1.21	2.36	2.36	2.57	-	8.50 (3.40-10.90)	2.117 (0.640-3.660)	9.30	99
15+22+22+35	1.17	2.28	2.28	2.76	-	8.50 (3.40-10.90)	2.117 (0.640-3.420)	9.30	99
15+22+22+42	1.05	2.05	2.05	3.35	-	8.50 (3.40-10.90)	2.117 (0.640-3.420)	9.30	99
15+22+22+50	0.93	1.81	1.81	3.95	-	8.50 (3.40-10.90)	2.117 (0.640-3.420)	9.30	99
15+22+22+60	0.89	1.73	1.73	4.15	-	8.50 (3.40-10.90)	2.107 (0.640-3.410)	9.25	99
15+22+22+71	0.89	1.73	1.73	4.15	-	8.50 (3.40-10.90)	2.097 (0.640-3.400)	9.21	99
15+22+25+25	1.18	2.30	2.51	2.51	-	8.50 (3.40-10.90)	2.117 (0.640-3.480)	9.30	99
15+22+25+35	1.15	2.23	2.43	2.70	-	8.50 (3.40-10.90)	2.117 (0.640-3.420)	9.30	99
15+22+25+42	1.03	2.00	2.19	3.28	-	8.50 (3.40-10.90)	2.117 (0.640-3.420)	9.30	99
15+22+25+50	0.91	1.78	1.94	3.87	-	8.50 (3.40-10.90)	2.117 (0.640-3.420)	9.30	99
15+22+25+60	0.88	1.70	1.85	4.07	-	8.50 (3.40-10.90)	2.107 (0.640-3.410)	9.25	99
15+22+25+71	0.88	1.70	1.85	4.07	-	8.50 (3.40-10.90)	2.097 (0.640-3.400)	9.21	99
15+22+35+35	1.11	2.16	2.62	2.62	-	8.50 (3.40-10.90)	2.117 (0.640-3.420)	9.30	99
15+22+35+42	1.00	1.95	2.36	3.19	-	8.50 (3.40-10.90)	2.117 (0.640-3.420)	9.30	99
15+22+35+50	0.89	1.73	2.10	3.78	-	8.50 (3.40-10.90)	2.117 (0.640-3.420)	9.30	99
15+22+35+60	0.86	1.66	2.01	3.97	-	8.50 (3.40-10.90)	2.107 (0.640-3.410)	9.25	99
15+22+35+71	0.86	1.66	2.01	3.97	-	8.50 (3.40-10.90)	2.097 (0.640-3.400)	9.21	99
15+22+42+42	0.91	1.78	2.91	2.91	-	8.50 (3.40-10.90)	2.117 (0.640-3.420)	9.30	99
15+22+42+50	0.82	1.59	2.61	3.48	-	8.50 (3.40-10.90)	2.117 (0.640-3.420)	9.30	99
15+22+42+60	0.79	1.53	2.51	3.67	-	8.50 (3.40-10.90)	2.107 (0.640-3.410)	9.25	99
15+22+50+50	0.74	1.45	3.15	3.15	-	8.50 (3.40-10.90)	2.117 (0.640-3.420)	9.30	99
15+25+25+25	1.16	2.45	2.45	2.45	-	8.50 (3.40-10.90)	2.117 (0.640-3.420)	9.30	99
15+25+25+35	1.12	2.37	2.37	2.64	-	8.50 (3.40-10.90)	2.117 (0.640-3.420)	9.30	99
15+25+25+42	1.01	2.14	2.14	3.21	-	8.50 (3.40-10.90)	2.117 (0.640-3.420)	9.30	99
15+25+25+50	0.90	1.90	1.90	3.80	-	8.50 (3.40-10.90)	2.117 (0.640-3.420)	9.30	99
15+25+25+60	0.86	1.82	1.82	4.00	-	8.50 (3.40-10.90)	2.107 (0.640-3.410)	9.25	99
15+25+25+71	0.86	1.82	1.82	4.00	-	8.50 (3.40-10.90)	2.097 (0.640-3.400)	9.21	99
15+25+35+35	1.09	2.30	2.56	2.56	-	8.50 (3.40-10.90)	2.117 (0.640-3.420)	9.30	99
15+25+35+42	0.98	2.08	2.31	3.12	-	8.50 (3.40-10.90)	2.117 (0.640-3.420)	9.30	99
15+25+35+50	0.88	1.85	2.06	3.71	-	8.50 (3.40-10.90)	2.117 (0.640-3.420)	9.30	99
15+25+35+60	0.84	1.78	1.98	3.90	-	8.50 (3.40-10.90)	2.107 (0.640-3.410)	9.25	99
15+25+42+42	0.90	1.90	2.85	2.85	-	8.50 (3.40-10.90)	2.117 (0.640-3.420)	9.30	99
15+25+42+50	0.81	1.71	2.56	3.42	-	8.50 (3.40-10.90)	2.117 (0.640-3.420)	9.30	99
15+25+42+60	0.78	1.65	2.47	3.61	-	8.50 (3.40-10.90)	2.107 (0.640-3.410)	9.25	99
15+25+50+50	0.73	1.55	3.11	3.11	-	8.50 (3.40-10.90)	2.117 (0.640-3.420)	9.30	99
15+35+35+35	1.05	2.48	2.48	2.48	-	8.50 (3.40-10.90)	2.117 (0.640-3.420)	9.30	99
15+35+35+42	0.96	2.25	2.25	3.04	-	8.50 (3.40-10.90)	2.117 (0.640-3.420)	9.30	99
15+35+35+50	0.86	2.01	2.01	3.62	-	8.50 (3.40-10.90)	2.117 (0.640-3.420)	9.30	99
15+35+35+60	0.82	1.93	1.93	3.82	-	8.50 (3.40-10.90)	2.107 (0.640-3.410)	9.25	99

# MXZ-4D83VA HEATING

Indoor units combination	Heating capacity (kW)						Outdoor unit power consumption(kW)	Current (A)	Power factor(%)
	Unit A	Unit B	Unit C	Unit D	Unit E	Total			
15+35+42+42	0.88	2.06	2.78	2.78	-	8.50 (3.40-10.90)	2.117 (0.640-3.420)	9.30	99
15+35+42+50	0.79	1.86	2.51	3.34	-	8.50 (3.40-10.90)	2.117 (0.640-3.420)	9.30	99
15+42+42+42	0.81	2.56	2.56	2.56	-	8.50 (3.40-10.90)	2.117 (0.640-3.420)	9.30	99
18+18+18+18	2.25	2.25	2.25	2.25	-	9.00 (3.40-11.60)	2.312 (0.590-3.420)	10.15	99
18+18+18+20	2.40	2.40	2.40	1.60	-	8.80 (3.40-11.40)	2.282 (0.640-3.540)	10.02	99
18+18+18+22	2.25	2.25	2.25	2.25	-	9.00 (3.40-11.60)	2.312 (0.590-3.660)	10.15	99
18+18+18+25	2.20	2.20	2.20	2.40	-	9.00 (3.40-11.60)	2.312 (0.590-3.840)	10.15	99
18+18+18+35	2.14	2.14	2.14	2.59	-	9.00 (3.40-11.60)	2.312 (0.590-3.420)	10.15	99
18+18+18+42	1.94	1.94	1.94	3.18	-	9.00 (3.40-11.60)	2.312 (0.590-3.420)	10.15	99
18+18+18+50	1.74	1.74	1.74	3.79	-	9.00 (3.40-11.60)	2.312 (0.590-3.420)	10.15	99
18+18+18+60	1.67	1.67	1.67	3.99	-	9.00 (3.40-11.60)	2.302 (0.590-3.410)	10.11	99
18+18+18+71	1.67	1.67	1.67	3.99	-	9.00 (3.40-11.60)	2.292 (0.590-3.400)	10.07	99
18+18+20+20	2.58	2.58	1.72	1.72	-	8.60 (3.40-11.20)	2.252 (0.690-3.660)	9.89	99
18+18+20+22	2.40	2.40	1.60	2.40	-	8.80 (3.40-11.40)	2.282 (0.640-3.780)	10.02	99
18+18+20+25	2.34	2.34	1.56	2.55	-	8.80 (3.40-11.40)	2.282 (0.640-3.840)	10.02	99
18+18+20+35	2.27	2.27	1.51	2.75	-	8.80 (3.40-11.40)	2.282 (0.640-3.420)	10.02	99
18+18+20+42	2.05	2.05	1.36	3.35	-	8.80 (3.40-11.40)	2.282 (0.640-3.420)	10.02	99
18+18+20+50	1.82	1.82	1.21	3.96	-	8.80 (3.40-11.40)	2.282 (0.640-3.420)	10.02	99
18+18+20+60	1.74	1.74	1.16	4.16	-	8.80 (3.40-11.40)	2.272 (0.640-3.410)	9.98	99
18+18+20+71	1.74	1.74	1.16	4.16	-	8.80 (3.40-11.40)	2.262 (0.640-3.400)	9.93	99
18+18+22+22	2.25	2.25	2.25	2.25	-	9.00 (3.40-11.60)	2.312 (0.590-3.900)	10.15	99
18+18+22+25	2.20	2.20	2.20	2.40	-	9.00 (3.40-11.60)	2.312 (0.590-3.420)	10.15	99
18+18+22+35	2.14	2.14	2.14	2.59	-	9.00 (3.40-11.60)	2.312 (0.590-3.420)	10.15	99
18+18+22+42	1.94	1.94	1.94	3.18	-	9.00 (3.40-11.60)	2.312 (0.590-3.420)	10.15	99
18+18+22+50	1.74	1.74	1.74	3.79	-	9.00 (3.40-11.60)	2.312 (0.590-3.420)	10.15	99
18+18+22+60	1.67	1.67	1.67	3.99	-	9.00 (3.40-11.60)	2.302 (0.590-3.410)	10.11	99
18+18+22+71	1.67	1.67	1.67	3.99	-	9.00 (3.40-11.60)	2.292 (0.590-3.400)	10.07	99
18+18+25+25	2.15	2.15	2.35	2.35	-	9.00 (3.40-11.60)	2.312 (0.590-3.540)	10.15	99
18+18+25+35	2.09	2.09	2.28	2.54	-	9.00 (3.40-11.60)	2.312 (0.590-3.420)	10.15	99
18+18+25+42	1.90	1.90	2.08	3.12	-	9.00 (3.40-11.60)	2.312 (0.590-3.420)	10.15	99
18+18+25+50	1.71	1.71	1.86	3.72	-	9.00 (3.40-11.60)	2.312 (0.590-3.420)	10.15	99
18+18+25+60	1.64	1.64	1.79	3.93	-	9.00 (3.40-11.60)	2.302 (0.590-3.410)	10.11	99
18+18+25+71	1.64	1.64	1.79	3.93	-	9.00 (3.40-11.60)	2.292 (0.590-3.400)	10.07	99
18+18+35+35	2.03	2.03	2.47	2.47	-	9.00 (3.40-11.60)	2.312 (0.590-3.420)	10.15	99
18+18+35+42	1.86	1.86	2.25	3.04	-	9.00 (3.40-11.60)	2.312 (0.590-3.420)	10.15	99
18+18+35+50	1.67	1.67	2.02	3.64	-	9.00 (3.40-11.60)	2.312 (0.590-3.420)	10.15	99
18+18+35+60	1.61	1.61	1.95	3.84	-	9.00 (3.40-11.60)	2.302 (0.590-3.410)	10.11	99
18+18+35+71	1.61	1.61	1.95	3.84	-	9.00 (3.40-11.60)	2.292 (0.590-3.400)	10.07	99
18+18+42+42	1.71	1.71	2.79	2.79	-	9.00 (3.40-11.60)	2.312 (0.590-3.420)	10.15	99
18+18+42+50	1.55	1.55	2.53	3.38	-	9.00 (3.40-11.60)	2.312 (0.590-3.420)	10.15	99
18+18+42+60	1.49	1.49	2.44	3.57	-	9.00 (3.40-11.60)	2.302 (0.590-3.410)	10.11	99

# MXZ-4D83VA HEATING

Indoor units combination	Heating capacity (kW)						Outdoor unit power consumption(kW)	Current (A)	Power factor(%)
	Unit A	Unit B	Unit C	Unit D	Unit E	Total			
18+18+50+50	1.41	1.41	3.09	3.09	-	9.00 (3.40-11.60)	2.312 (0.590-3.420)	10.15	99
18+20+20+20	2.80	1.87	1.87	1.87	-	8.40 (3.40-11.00)	2.222 (0.740-3.780)	9.76	99
18+20+20+22	2.58	1.72	1.72	2.58	-	8.60 (3.40-11.20)	2.252 (0.690-3.900)	9.89	99
18+20+20+35	2.43	1.62	1.62	2.94	-	8.60 (3.40-11.20)	2.252 (0.690-3.420)	9.89	99
18+20+20+42	2.17	1.44	1.44	3.55	-	8.60 (3.40-11.20)	2.252 (0.690-3.420)	9.89	99
18+20+20+50	1.90	1.27	1.27	4.16	-	8.60 (3.40-11.20)	2.252 (0.690-3.420)	9.89	99
18+20+20+60	1.82	1.21	1.21	4.36	-	8.60 (3.40-11.20)	2.242 (0.690-3.410)	9.85	99
18+20+20+71	1.82	1.21	1.21	4.36	-	8.60 (3.40-11.20)	2.232 (0.690-3.400)	9.80	99
18+20+22+22	2.40	1.60	2.40	2.40	-	8.80 (3.40-11.40)	2.282 (0.640-3.780)	10.02	99
18+20+22+25	2.34	1.56	2.34	2.55	-	8.80 (3.40-11.40)	2.282 (0.640-3.600)	10.02	99
18+20+22+35	2.27	1.51	2.27	2.75	-	8.80 (3.40-11.40)	2.282 (0.640-3.420)	10.02	99
18+20+22+42	2.05	1.36	2.05	3.35	-	8.80 (3.40-11.40)	2.282 (0.640-3.420)	10.02	99
18+20+22+50	1.82	1.21	1.82	3.96	-	8.80 (3.40-11.40)	2.282 (0.640-3.420)	10.02	99
18+20+22+60	1.74	1.16	1.74	4.16	-	8.80 (3.40-11.40)	2.272 (0.640-3.410)	9.98	99
18+20+22+71	1.74	1.16	1.74	4.16	-	8.80 (3.40-11.40)	2.262 (0.640-3.400)	9.93	99
18+20+25+25	2.29	1.52	2.49	2.49	-	8.80 (3.40-11.40)	2.282 (0.640-3.420)	10.02	99
18+20+25+35	2.22	1.48	2.42	2.69	-	8.80 (3.40-11.40)	2.282 (0.640-3.420)	10.02	99
18+20+25+42	2.00	1.34	2.18	3.28	-	8.80 (3.40-11.40)	2.282 (0.640-3.420)	10.02	99
18+20+25+50	1.78	1.19	1.94	3.89	-	8.80 (3.40-11.40)	2.282 (0.640-3.420)	10.02	99
18+20+25+60	1.71	1.14	1.86	4.09	-	8.80 (3.40-11.40)	2.272 (0.640-3.410)	9.98	99
18+20+25+71	1.71	1.14	1.86	4.09	-	8.80 (3.40-11.40)	2.262 (0.640-3.400)	9.93	99
18+20+35+35	2.15	1.43	2.61	2.61	-	8.80 (3.40-11.40)	2.282 (0.640-3.420)	10.02	99
18+20+35+42	1.95	1.30	2.36	3.19	-	8.80 (3.40-11.40)	2.282 (0.640-3.420)	10.02	99
18+20+35+50	1.74	1.16	2.11	3.79	-	8.80 (3.40-11.40)	2.282 (0.640-3.420)	10.02	99
18+20+35+60	1.67	1.11	2.02	4.00	-	8.80 (3.40-11.40)	2.272 (0.640-3.410)	9.98	99
18+20+35+71	1.67	1.11	2.02	4.00	-	8.80 (3.40-11.40)	2.262 (0.640-3.400)	9.93	99
18+20+42+42	1.78	1.19	2.92	2.92	-	8.80 (3.40-11.40)	2.282 (0.640-3.420)	10.02	99
18+20+42+50	1.60	1.07	2.63	3.50	-	8.80 (3.40-11.40)	2.282 (0.640-3.420)	10.02	99
18+20+42+60	1.54	1.03	2.53	3.70	-	8.80 (3.40-11.40)	2.272 (0.640-3.410)	9.98	99
18+20+50+50	1.46	0.97	3.18	3.18	-	8.80 (3.40-11.40)	2.282 (0.640-3.420)	10.02	99
18+22+22+22	2.25	2.25	2.25	2.25	-	9.00 (3.40-11.60)	2.312 (0.590-3.660)	10.15	99
18+22+22+25	2.20	2.20	2.20	2.40	-	9.00 (3.40-11.60)	2.312 (0.590-3.480)	10.15	99
18+22+22+35	2.14	2.14	2.14	2.59	-	9.00 (3.40-11.60)	2.312 (0.590-3.420)	10.15	99
18+22+22+42	1.94	1.94	1.94	3.18	-	9.00 (3.40-11.60)	2.312 (0.590-3.420)	10.15	99
18+22+22+50	1.74	1.74	1.74	3.79	-	9.00 (3.40-11.60)	2.312 (0.590-3.420)	10.15	99
18+22+22+60	1.67	1.67	1.67	3.99	-	9.00 (3.40-11.60)	2.302 (0.590-3.410)	10.11	99
18+22+22+71	1.67	1.67	1.67	3.99	-	9.00 (3.40-11.60)	2.292 (0.590-3.400)	10.07	99
18+22+25+25	2.15	2.15	2.35	2.35	-	9.00 (3.40-11.60)	2.312 (0.590-3.420)	10.15	99
18+22+25+35	2.09	2.09	2.28	2.54	-	9.00 (3.40-11.60)	2.312 (0.590-3.420)	10.15	99
18+22+25+42	1.90	1.90	2.08	3.12	-	9.00 (3.40-11.60)	2.312 (0.590-3.420)	10.15	99
18+22+25+50	1.71	1.71	1.86	3.72	-	9.00 (3.40-11.60)	2.312 (0.590-3.420)	10.15	99



# MXZ-4D83VA HEATING

Indoor units combination	Heating capacity (kW)						Outdoor unit power consumption(kW)	Current (A)	Power factor(%)
	Unit A	Unit B	Unit C	Unit D	Unit E	Total			
18+22+25+60	1.64	1.64	1.79	3.93	-	9.00 (3.40-11.60)	2.302 (0.590-3.410)	10.11	99
18+22+25+71	1.64	1.64	1.79	3.93	-	9.00 (3.40-11.60)	2.292 (0.590-3.400)	10.07	99
18+22+35+35	2.03	2.03	2.47	2.47	-	9.00 (3.40-11.60)	2.312 (0.590-3.420)	10.15	99
18+22+35+42	1.86	1.86	2.25	3.04	-	9.00 (3.40-11.60)	2.312 (0.590-3.420)	10.15	99
18+22+35+50	1.67	1.67	2.02	3.64	-	9.00 (3.40-11.60)	2.312 (0.590-3.420)	10.15	99
18+22+35+60	1.61	1.61	1.95	3.84	-	9.00 (3.40-11.60)	2.302 (0.590-3.410)	10.11	99
18+22+42+42	1.71	1.71	2.79	2.79	-	9.00 (3.40-11.60)	2.312 (0.590-3.420)	10.15	99
18+22+42+50	1.55	1.55	2.53	3.38	-	9.00 (3.40-11.60)	2.312 (0.590-3.420)	10.15	99
18+22+42+60	1.49	1.49	2.44	3.57	-	9.00 (3.40-11.60)	2.302 (0.590-3.410)	10.11	99
18+22+50+50	1.41	1.41	3.09	3.09	-	9.00 (3.40-11.60)	2.312 (0.590-3.420)	10.15	99
18+25+25+25	2.11	2.30	2.30	2.30	-	9.00 (3.40-11.60)	2.312 (0.590-3.420)	10.15	99
18+25+25+35	2.05	2.23	2.23	2.48	-	9.00 (3.40-11.60)	2.312 (0.590-3.420)	10.15	99
18+25+25+42	1.87	2.04	2.04	3.06	-	9.00 (3.40-11.60)	2.312 (0.590-3.420)	10.15	99
18+25+25+50	1.68	1.83	1.83	3.66	-	9.00 (3.40-11.60)	2.312 (0.590-3.420)	10.15	99
18+25+25+60	1.61	1.76	1.76	3.86	-	9.00 (3.40-11.60)	2.302 (0.590-3.410)	10.11	99
18+25+25+71	1.61	1.76	1.76	3.86	-	9.00 (3.40-11.60)	2.292 (0.590-3.400)	10.07	99
18+25+35+35	1.99	2.17	2.42	2.42	-	9.00 (3.40-11.60)	2.312 (0.590-3.420)	10.15	99
18+25+35+42	1.82	1.99	2.21	2.98	-	9.00 (3.40-11.60)	2.312 (0.590-3.420)	10.15	99
18+25+35+50	1.64	1.79	1.99	3.58	-	9.00 (3.40-11.60)	2.312 (0.590-3.420)	10.15	99
18+25+35+60	1.58	1.72	1.91	3.78	-	9.00 (3.40-11.60)	2.302 (0.590-3.410)	10.11	99
18+25+42+42	1.68	1.83	2.75	2.75	-	9.00 (3.40-11.60)	2.312 (0.590-3.420)	10.15	99
18+25+42+50	1.52	1.66	2.49	3.32	-	9.00 (3.40-11.60)	2.312 (0.590-3.420)	10.15	99
18+25+42+60	1.47	1.60	2.41	3.52	-	9.00 (3.40-11.60)	2.302 (0.590-3.410)	10.11	99
18+25+50+50	1.39	1.52	3.04	3.04	-	9.00 (3.40-11.60)	2.312 (0.590-3.420)	10.15	99
18+35+35+35	1.94	2.35	2.35	2.35	-	9.00 (3.40-11.60)	2.312 (0.590-3.420)	10.15	99
18+35+35+42	1.78	2.16	2.16	2.91	-	9.00 (3.40-11.60)	2.312 (0.590-3.420)	10.15	99
18+35+35+50	1.61	1.95	1.95	3.50	-	9.00 (3.40-11.60)	2.312 (0.590-3.420)	10.15	99
18+35+42+42	1.64	1.99	2.69	2.69	-	9.00 (3.40-11.60)	2.312 (0.590-3.420)	10.15	99
18+35+42+50	1.49	1.81	2.44	3.26	-	9.00 (3.40-11.60)	2.312 (0.590-3.420)	10.15	99
18+42+42+42	1.52	2.49	2.49	2.49	-	9.00 (3.40-11.60)	2.312 (0.590-3.420)	10.15	99
20+20+20+20	2.05	2.05	2.05	2.05	-	8.20 (3.40-10.80)	2.192 (0.790-3.900)	9.63	99
20+20+20+22	1.87	1.87	1.87	2.80	-	8.40 (3.40-11.00)	2.222 (0.740-3.780)	9.76	99
20+20+20+25	1.81	1.81	1.81	2.96	-	8.40 (3.40-11.00)	2.222 (0.740-3.600)	9.76	99
20+20+20+35	1.74	1.74	1.74	3.17	-	8.40 (3.40-11.00)	2.222 (0.740-3.420)	9.76	99
20+20+20+42	1.54	1.54	1.54	3.78	-	8.40 (3.40-11.00)	2.222 (0.740-3.420)	9.76	99
20+20+20+50	1.34	1.34	1.34	4.38	-	8.40 (3.40-11.00)	2.222 (0.740-3.420)	9.76	99
20+20+20+60	1.27	1.27	1.27	4.58	-	8.40 (3.40-11.00)	2.212 (0.740-3.410)	9.71	99
20+20+20+71	1.27	1.27	1.27	4.58	-	8.40 (3.40-11.00)	2.202 (0.740-3.400)	9.67	99
20+20+22+22	1.72	1.72	2.58	2.58	-	8.60 (3.40-11.20)	2.252 (0.690-3.660)	9.89	99
20+20+22+25	1.67	1.67	2.51	2.74	-	8.60 (3.40-11.20)	2.252 (0.690-3.480)	9.89	99
20+20+22+35	1.62	1.62	2.43	2.94	-	8.60 (3.40-11.20)	2.252 (0.690-3.420)	9.89	99

# MXZ-4D83VA HEATING

Indoor units combination	Heating capacity (kW)						Outdoor unit power consumption(kW)	Current (A)	Power factor(%)
	Unit A	Unit B	Unit C	Unit D	Unit E	Total			
20+20+22+42	1.44	1.44	2.17	3.55	-	8.60 (3.40-11.20)	2.252 (0.690-3.420)	9.89	99
20+20+22+50	1.27	1.27	1.90	4.16	-	8.60 (3.40-11.20)	2.252 (0.690-3.420)	9.89	99
20+20+22+60	1.21	1.21	1.82	4.36	-	8.60 (3.40-11.20)	2.242 (0.690-3.410)	9.85	99
20+20+22+71	1.21	1.21	1.82	4.36	-	8.60 (3.40-11.20)	2.232 (0.690-3.400)	9.80	99
20+20+25+25	1.63	1.63	2.67	2.67	-	8.60 (3.40-11.20)	2.252 (0.690-3.420)	9.89	99
20+20+25+35	1.58	1.58	2.58	2.87	-	8.60 (3.40-11.20)	2.252 (0.690-3.420)	9.89	99
20+20+25+42	1.41	1.41	2.31	3.47	-	8.60 (3.40-11.20)	2.252 (0.690-3.420)	9.89	99
20+20+25+50	1.24	1.24	2.04	4.07	-	8.60 (3.40-11.20)	2.252 (0.690-3.420)	9.89	99
20+20+25+60	1.19	1.19	1.95	4.27	-	8.60 (3.40-11.20)	2.242 (0.690-3.410)	9.85	99
20+20+25+71	1.19	1.19	1.95	4.27	-	8.60 (3.40-11.20)	2.232 (0.690-3.400)	9.80	99
20+20+35+35	1.53	1.53	2.77	2.77	-	8.60 (3.40-11.20)	2.252 (0.690-3.420)	9.89	99
20+20+35+42	1.37	1.37	2.49	3.37	-	8.60 (3.40-11.20)	2.252 (0.690-3.420)	9.89	99
20+20+35+50	1.21	1.21	2.21	3.97	-	8.60 (3.40-11.20)	2.252 (0.690-3.420)	9.89	99
20+20+35+60	1.16	1.16	2.11	4.17	-	8.60 (3.40-11.20)	2.242 (0.690-3.410)	9.85	99
20+20+42+42	1.24	1.24	3.06	3.06	-	8.60 (3.40-11.20)	2.252 (0.690-3.420)	9.89	99
20+20+42+50	1.11	1.11	2.73	3.64	-	8.60 (3.40-11.20)	2.252 (0.690-3.420)	9.89	99
20+20+42+60	1.07	1.07	2.62	3.84	-	8.60 (3.40-11.20)	2.242 (0.690-3.410)	9.85	99
20+20+50+50	1.01	1.01	3.29	3.29	-	8.60 (3.40-11.20)	2.252 (0.690-3.420)	9.89	99
20+22+22+22	1.60	2.40	2.40	2.40	-	8.80 (3.40-11.40)	2.282 (0.640-3.540)	10.02	99
20+22+22+25	1.56	2.34	2.34	2.55	-	8.80 (3.40-11.40)	2.282 (0.640-3.420)	10.02	99
20+22+22+35	1.51	2.27	2.27	2.75	-	8.80 (3.40-11.40)	2.282 (0.640-3.420)	10.02	99
20+22+22+42	1.36	2.05	2.05	3.35	-	8.80 (3.40-11.40)	2.282 (0.640-3.420)	10.02	99
20+22+22+50	1.21	1.82	1.82	3.96	-	8.80 (3.40-11.40)	2.282 (0.640-3.420)	10.02	99
20+22+22+60	1.16	1.74	1.74	4.16	-	8.80 (3.40-11.40)	2.272 (0.640-3.410)	9.98	99
20+22+22+71	1.16	1.74	1.74	4.16	-	8.80 (3.40-11.40)	2.262 (0.640-3.400)	9.93	99
20+22+25+25	1.52	2.29	2.49	2.49	-	8.80 (3.40-11.40)	2.282 (0.640-3.420)	10.02	99
20+22+25+35	1.48	2.22	2.42	2.69	-	8.80 (3.40-11.40)	2.282 (0.640-3.420)	10.02	99
20+22+25+42	1.34	2.00	2.18	3.28	-	8.80 (3.40-11.40)	2.282 (0.640-3.420)	10.02	99
20+22+25+50	1.19	1.78	1.94	3.89	-	8.80 (3.40-11.40)	2.282 (0.640-3.420)	10.02	99
20+22+25+60	1.14	1.71	1.86	4.09	-	8.80 (3.40-11.40)	2.272 (0.640-3.410)	9.98	99
20+22+25+71	1.14	1.71	1.86	4.09	-	8.80 (3.40-11.40)	2.262 (0.640-3.400)	9.93	99
20+22+35+35	1.43	2.15	2.61	2.61	-	8.80 (3.40-11.40)	2.282 (0.640-3.420)	10.02	99
20+22+35+42	1.30	1.95	2.36	3.19	-	8.80 (3.40-11.40)	2.282 (0.640-3.420)	10.02	99
20+22+35+50	1.16	1.74	2.11	3.79	-	8.80 (3.40-11.40)	2.282 (0.640-3.420)	10.02	99
20+22+35+60	1.11	1.67	2.02	4.00	-	8.80 (3.40-11.40)	2.272 (0.640-3.410)	9.98	99
20+22+42+42	1.19	1.78	2.92	2.92	-	8.80 (3.40-11.40)	2.282 (0.640-3.420)	10.02	99
20+22+42+50	1.07	1.60	2.63	3.50	-	8.80 (3.40-11.40)	2.282 (0.640-3.420)	10.02	99
20+22+42+60	1.03	1.54	2.53	3.70	-	8.80 (3.40-11.40)	2.272 (0.640-3.410)	9.98	99
20+22+50+50	0.97	1.46	3.18	3.18	-	8.80 (3.40-11.40)	2.282 (0.640-3.420)	10.02	99
20+25+25+25	1.49	2.44	2.44	2.44	-	8.80 (3.40-11.40)	2.282 (0.640-3.420)	10.02	99
20+25+25+35	1.44	2.36	2.36	2.63	-	8.80 (3.40-11.40)	2.282 (0.640-3.420)	10.02	99

# MXZ-4D83VA HEATING

Indoor units combination	Heating capacity (kW)						Outdoor unit power consumption(kW)	Current (A)	Power factor(%)
	Unit A	Unit B	Unit C	Unit D	Unit E	Total			
20+25+25+42	1.31	2.14	2.14	3.21	-	8.80 (3.40-11.40)	2.282 (0.640-3.420)	10.02	99
20+25+25+50	1.17	1.91	1.91	3.82	-	8.80 (3.40-11.40)	2.282 (0.640-3.420)	10.02	99
20+25+25+60	1.12	1.83	1.83	4.02	-	8.80 (3.40-11.40)	2.272 (0.640-3.410)	9.98	99
20+25+25+71	1.12	1.83	1.83	4.02	-	8.80 (3.40-11.40)	2.262 (0.640-3.400)	9.93	99
20+25+35+35	1.40	2.30	2.55	2.55	-	8.80 (3.40-11.40)	2.282 (0.640-3.420)	10.02	99
20+25+35+42	1.27	2.08	2.32	3.13	-	8.80 (3.40-11.40)	2.282 (0.640-3.420)	10.02	99
20+25+35+50	1.14	1.86	2.07	3.73	-	8.80 (3.40-11.40)	2.282 (0.640-3.420)	10.02	99
20+25+35+60	1.09	1.79	1.99	3.93	-	8.80 (3.40-11.40)	2.272 (0.640-3.410)	9.98	99
20+25+42+42	1.17	1.91	2.86	2.86	-	8.80 (3.40-11.40)	2.282 (0.640-3.420)	10.02	99
20+25+42+50	1.05	1.72	2.58	3.44	-	8.80 (3.40-11.40)	2.282 (0.640-3.420)	10.02	99
20+25+50+50	0.96	1.57	3.14	3.14	-	8.80 (3.40-11.40)	2.282 (0.640-3.420)	10.02	99
20+35+35+35	1.36	2.48	2.48	2.48	-	8.80 (3.40-11.40)	2.282 (0.640-3.420)	10.02	99
20+35+35+42	1.24	2.26	2.26	3.05	-	8.80 (3.40-11.40)	2.282 (0.640-3.420)	10.02	99
20+35+35+50	1.11	2.02	2.02	3.64	-	8.80 (3.40-11.40)	2.282 (0.640-3.420)	10.02	99
20+35+42+42	1.14	2.07	2.80	2.80	-	8.80 (3.40-11.40)	2.282 (0.640-3.420)	10.02	99
22+22+22+22	2.25	2.25	2.25	2.25	-	9.00 (3.40-11.60)	2.312 (0.590-3.420)	10.15	99
22+22+22+25	2.20	2.20	2.20	2.40	-	9.00 (3.40-11.60)	2.312 (0.590-3.420)	10.15	99
22+22+22+35	2.14	2.14	2.14	2.59	-	9.00 (3.40-11.60)	2.312 (0.590-3.420)	10.15	99
22+22+22+42	1.94	1.94	1.94	3.18	-	9.00 (3.40-11.60)	2.312 (0.590-3.420)	10.15	99
22+22+22+50	1.74	1.74	1.74	3.79	-	9.00 (3.40-11.60)	2.312 (0.590-3.420)	10.15	99
22+22+22+60	1.67	1.67	1.67	3.99	-	9.00 (3.40-11.60)	2.302 (0.590-3.410)	10.11	99
22+22+22+71	1.67	1.67	1.67	3.99	-	9.00 (3.40-11.60)	2.292 (0.590-3.400)	10.07	99
22+22+25+25	2.15	2.15	2.35	2.35	-	9.00 (3.40-11.60)	2.312 (0.590-3.420)	10.15	99
22+22+25+35	2.09	2.09	2.28	2.54	-	9.00 (3.40-11.60)	2.312 (0.590-3.420)	10.15	99
22+22+25+42	1.90	1.90	2.08	3.12	-	9.00 (3.40-11.60)	2.312 (0.590-3.420)	10.15	99
22+22+25+50	1.71	1.71	1.86	3.72	-	9.00 (3.40-11.60)	2.312 (0.590-3.420)	10.15	99
22+22+25+60	1.64	1.64	1.79	3.93	-	9.00 (3.40-11.60)	2.302 (0.590-3.410)	10.11	99
22+22+25+71	1.64	1.64	1.79	3.93	-	9.00 (3.40-11.60)	2.292 (0.590-3.400)	10.07	99
22+22+35+35	2.03	2.03	2.47	2.47	-	9.00 (3.40-11.60)	2.312 (0.590-3.420)	10.15	99
22+22+35+42	1.86	1.86	2.25	3.04	-	9.00 (3.40-11.60)	2.312 (0.590-3.420)	10.15	99
22+22+35+50	1.67	1.67	2.02	3.64	-	9.00 (3.40-11.60)	2.312 (0.590-3.420)	10.15	99
22+22+35+60	1.61	1.61	1.95	3.84	-	9.00 (3.40-11.60)	2.302 (0.590-3.410)	10.11	99
22+22+42+42	1.71	1.71	2.79	2.79	-	9.00 (3.40-11.60)	2.312 (0.590-3.420)	10.15	99
22+22+42+50	1.55	1.55	2.53	3.38	-	9.00 (3.40-11.60)	2.312 (0.590-3.420)	10.15	99
22+22+50+50	1.41	1.41	3.09	3.09	-	9.00 (3.40-11.60)	2.312 (0.590-3.420)	10.15	99
22+25+25+25	2.11	2.30	2.30	2.30	-	9.00 (3.40-11.60)	2.312 (0.590-3.420)	10.15	99
22+25+25+35	2.05	2.23	2.23	2.48	-	9.00 (3.40-11.60)	2.312 (0.590-3.420)	10.15	99
22+25+25+42	1.87	2.04	2.04	3.06	-	9.00 (3.40-11.60)	2.312 (0.590-3.420)	10.15	99
22+25+25+50	1.68	1.83	1.83	3.66	-	9.00 (3.40-11.60)	2.312 (0.590-3.420)	10.15	99
22+25+25+60	1.61	1.76	1.76	3.86	-	9.00 (3.40-11.60)	2.302 (0.590-3.410)	10.11	99
22+25+25+71	1.61	1.76	1.76	3.86	-	9.00 (3.40-11.60)	2.292 (0.590-3.400)	10.07	99

## MXZ-4D83VA HEATING

Indoor units combination	Heating capacity (kW)						Outdoor unit power consumption(kW)	Current (A)	Power factor(%)
	Unit A	Unit B	Unit C	Unit D	Unit E	Total			
22+25+35+35	1.99	2.17	2.42	2.42	-	9.00 (3.40-11.60)	2.312 (0.590-3.420)	10.15	99
22+25+35+42	1.82	1.99	2.21	2.98	-	9.00 (3.40-11.60)	2.312 (0.590-3.420)	10.15	99
22+25+35+50	1.64	1.79	1.99	3.58	-	9.00 (3.40-11.60)	2.312 (0.590-3.420)	10.15	99
22+25+35+60	1.58	1.72	1.91	3.78	-	9.00 (3.40-11.60)	2.302 (0.590-3.410)	10.11	99
22+25+42+42	1.68	1.83	2.75	2.75	-	9.00 (3.40-11.60)	2.312 (0.590-3.420)	10.15	99
22+25+42+50	1.52	1.66	2.49	3.32	-	9.00 (3.40-11.60)	2.312 (0.590-3.420)	10.15	99
22+35+35+35	1.94	2.35	2.35	2.35	-	9.00 (3.40-11.60)	2.312 (0.590-3.420)	10.15	99
22+35+35+42	1.78	2.16	2.16	2.91	-	9.00 (3.40-11.60)	2.312 (0.590-3.420)	10.15	99
22+35+35+50	1.61	1.95	1.95	3.50	-	9.00 (3.40-11.60)	2.312 (0.590-3.420)	10.15	99
22+35+42+42	1.64	1.99	2.69	2.69	-	9.00 (3.40-11.60)	2.312 (0.590-3.420)	10.15	99
25+25+25+25	2.25	2.25	2.25	2.25	-	9.00 (3.40-11.60)	2.312 (0.590-3.420)	10.15	99
25+25+25+35	2.19	2.19	2.19	2.43	-	9.00 (3.40-11.60)	2.312 (0.590-3.420)	10.15	99
25+25+25+42	2.00	2.00	2.00	3.00	-	9.00 (3.40-11.60)	2.312 (0.590-3.420)	10.15	99
25+25+25+50	1.80	1.80	1.80	3.60	-	9.00 (3.40-11.60)	2.312 (0.590-3.420)	10.15	99
25+25+25+60	1.73	1.73	1.73	3.80	-	9.00 (3.40-11.60)	2.302 (0.590-3.410)	10.11	99
25+25+35+35	2.13	2.13	2.37	2.37	-	9.00 (3.40-11.60)	2.312 (0.590-3.420)	10.15	99
25+25+35+42	1.95	1.95	2.17	2.93	-	9.00 (3.40-11.60)	2.312 (0.590-3.420)	10.15	99
25+25+35+50	1.76	1.76	1.96	3.52	-	9.00 (3.40-11.60)	2.312 (0.590-3.420)	10.15	99
25+25+35+60	1.70	1.70	1.88	3.72	-	9.00 (3.40-11.60)	2.302 (0.590-3.410)	10.11	99
25+25+42+42	1.80	1.80	2.70	2.70	-	9.00 (3.40-11.60)	2.312 (0.590-3.420)	10.15	99
25+25+42+50	1.64	1.64	2.45	3.27	-	9.00 (3.40-11.60)	2.312 (0.590-3.420)	10.15	99
25+35+35+35	2.08	2.31	2.31	2.31	-	9.00 (3.40-11.60)	2.312 (0.590-3.420)	10.15	99
25+35+35+42	1.91	2.12	2.12	2.86	-	9.00 (3.40-11.60)	2.312 (0.590-3.420)	10.15	99
25+35+35+50	1.72	1.91	1.91	3.45	-	9.00 (3.40-11.60)	2.312 (0.590-3.420)	10.15	99
25+35+42+42	1.76	1.96	2.64	2.64	-	9.00 (3.40-11.60)	2.312 (0.590-3.420)	10.15	99
35+35+35+35	2.25	2.25	2.25	2.25	-	9.00 (3.40-11.60)	2.312 (0.590-3.420)	10.15	99

# MXZ-5D102VA COOLING

Indoor units combination	Cooling capacity (kW)						Outdoor unit power consumption(kW)	Current (A)	Power factor(%)
	Unit A	Unit B	Unit C	Unit D	Unit E	Total			
15	1.50	-	-	-	-	1.50 (1.40-2.10)	0.540 (0.470-1.000)	2.37	99
18	1.80	-	-	-	-	1.80 (1.40-3.00)	0.560 (0.400-0.920)	2.46	99
20	2.00	-	-	-	-	2.00 (1.40-2.80)	0.720 (0.470-1.330)	3.16	99
22	2.20	-	-	-	-	2.20 (1.40-3.00)	0.680 (0.400-0.920)	2.99	99
25	2.50	-	-	-	-	2.50 (1.40-3.30)	0.760 (0.400-1.010)	3.34	99
35	3.50	-	-	-	-	3.50 (1.50-4.30)	1.030 (0.400-1.290)	4.52	99
42	4.20	-	-	-	-	4.20 (1.60-5.00)	1.230 (0.410-1.460)	5.40	99
50	5.00	-	-	-	-	5.00 (1.60-5.60)	1.440 (0.420-1.630)	6.32	99
60	6.00	-	-	-	-	6.00 (1.60-6.60)	1.880 (0.400-2.130)	8.26	99
71	7.10	-	-	-	-	7.10 (1.70-7.40)	2.340 (0.410-2.710)	10.28	99
15+15	1.50	1.50	-	-	-	3.00 (2.00-4.00)	0.670 (0.600-1.600)	2.94	99
15+18	1.50	1.80	-	-	-	3.30 (2.00-4.80)	0.838 (0.600-1.860)	3.68	99
15+20	1.50	2.00	-	-	-	3.50 (2.00-5.00)	1.003 (0.600-2.440)	4.40	99
15+22	1.50	2.20	-	-	-	3.70 (2.00-5.40)	0.991 (0.600-1.860)	4.35	99
15+25	1.50	2.50	-	-	-	4.00 (2.00-5.40)	1.067 (0.600-1.860)	4.69	99
15+35	1.50	3.50	-	-	-	5.00 (2.00-6.00)	1.400 (0.580-2.210)	6.15	99
15+42	1.50	4.20	-	-	-	5.70 (2.00-6.60)	1.665 (0.580-2.615)	7.31	99
15+50	1.50	5.00	-	-	-	6.50 (2.00-7.20)	2.040 (0.580-2.870)	8.96	99
15+60	1.46	5.84	-	-	-	7.30 (2.00-7.90)	2.476 (0.580-3.150)	10.87	99
15+71	1.38	6.52	-	-	-	7.90 (2.00-8.60)	2.861 (0.590-3.525)	12.56	99
18+18	1.80	1.80	-	-	-	3.60 (2.00-5.60)	0.925 (0.600-1.600)	4.06	99
18+20	1.80	2.00	-	-	-	3.80 (2.00-5.40)	1.056 (0.600-2.180)	4.64	99
18+22	1.80	2.20	-	-	-	4.00 (2.00-5.60)	1.027 (0.600-1.600)	4.51	99
18+25	1.80	2.50	-	-	-	4.30 (2.00-5.60)	1.104 (0.600-1.600)	4.85	99
18+35	1.80	3.50	-	-	-	5.30 (2.00-6.50)	1.495 (0.580-2.125)	6.57	99
18+42	1.80	4.20	-	-	-	6.00 (2.00-7.10)	1.760 (0.580-2.530)	7.73	99
18+50	1.80	5.00	-	-	-	6.80 (2.00-7.60)	2.144 (0.580-2.665)	9.42	99
18+60	1.73	5.77	-	-	-	7.50 (2.00-8.30)	2.554 (0.590-3.010)	11.22	99
18+71	1.62	6.38	-	-	-	8.00 (2.00-8.90)	2.868 (0.590-3.305)	12.60	99
20+20	2.00	2.00	-	-	-	4.00 (2.00-5.20)	1.027 (0.600-1.600)	4.51	99
20+22	2.00	2.20	-	-	-	4.20 (2.00-5.40)	1.159 (0.600-2.180)	5.09	99
20+25	2.00	2.50	-	-	-	4.50 (2.00-5.50)	1.248 (0.600-2.240)	5.48	99
20+35	2.00	3.50	-	-	-	5.50 (2.00-6.50)	1.665 (0.580-2.825)	7.31	99
20+42	2.00	4.20	-	-	-	6.20 (2.00-7.00)	1.936 (0.580-3.145)	8.50	99
20+50	2.00	5.00	-	-	-	7.00 (2.00-7.50)	2.320 (0.580-3.280)	10.19	99
20+60	1.90	5.70	-	-	-	7.60 (2.00-8.30)	2.713 (0.590-3.670)	11.91	99
20+71	1.76	6.24	-	-	-	8.00 (2.00-8.70)	2.979 (0.590-3.910)	13.08	99
22+22	2.20	2.20	-	-	-	4.40 (2.00-5.60)	1.130 (0.600-1.600)	4.96	99
22+25	2.20	2.50	-	-	-	4.70 (2.00-5.90)	1.245 (0.590-1.775)	5.47	99
22+35	2.20	3.50	-	-	-	5.70 (2.00-6.80)	1.675 (0.580-2.365)	7.36	99
22+42	2.20	4.20	-	-	-	6.40 (2.00-7.30)	1.952 (0.580-2.600)	8.57	99

# MXZ-5D102VA COOLING

Indoor units combination	Cooling capacity (kW)						Outdoor unit power consumption(kW)	Current (A)	Power factor(%)
	Unit A	Unit B	Unit C	Unit D	Unit E	Total			
22+50	2.17	4.93	-	-	-	7.10 (2.00-7.90)	2.319 (0.580-2.780)	10.18	99
22+60	2.07	5.63	-	-	-	7.70 (2.00-8.60)	2.711 (0.590-3.170)	11.91	99
22+71	1.92	6.18	-	-	-	8.10 (2.10-9.00)	2.931 (0.590-3.355)	12.87	99
25+25	2.50	2.50	-	-	-	5.00 (2.00-6.20)	1.360 (0.580-1.950)	5.97	99
25+35	2.50	3.50	-	-	-	6.00 (2.00-7.10)	1.810 (0.580-2.540)	7.95	99
25+42	2.50	4.20	-	-	-	6.70 (2.00-7.50)	2.096 (0.580-2.655)	9.21	99
25+50	2.43	4.87	-	-	-	7.30 (2.00-8.10)	2.436 (0.580-2.900)	10.70	99
25+60	2.29	5.51	-	-	-	7.80 (2.00-8.80)	2.806 (0.590-3.265)	12.32	99
25+71	2.14	6.06	-	-	-	8.20 (2.10-9.00)	2.978 (0.590-3.390)	13.08	99
35+35	3.50	3.50	-	-	-	7.00 (2.00-7.70)	2.290 (0.580-2.720)	10.06	99
35+42	3.36	4.04	-	-	-	7.40 (2.00-8.30)	2.515 (0.590-2.990)	11.05	99
35+50	3.21	4.59	-	-	-	7.80 (2.00-8.80)	2.806 (0.590-3.275)	12.32	99
35+60	2.98	5.12	-	-	-	8.10 (2.10-9.00)	2.962 (0.590-3.390)	13.01	99
35+71	2.81	5.69	-	-	-	8.50 (2.10-9.20)	3.061 (0.580-3.475)	13.44	99
42+42	3.90	3.90	-	-	-	7.80 (2.00-8.80)	2.840 (0.590-3.280)	12.47	99
42+50	3.70	4.40	-	-	-	8.10 (2.10-9.00)	2.865 (0.590-3.350)	12.58	99
42+71	3.23	5.47	-	-	-	8.70 (2.10-9.20)	3.036 (0.560-3.510)	13.33	99
50+50	4.15	4.15	-	-	-	8.30 (2.10-9.10)	3.090 (0.590-3.480)	13.57	99
50+60	3.91	4.69	-	-	-	8.60 (2.10-9.20)	3.025 (0.570-3.490)	13.29	99
50+71	3.68	5.22	-	-	-	8.90 (2.10-9.30)	3.056 (0.550-3.545)	13.42	99
60+60	4.45	4.45	-	-	-	8.90 (2.10-9.30)	3.160 (0.550-3.600)	13.88	99
60+71	4.12	4.88	-	-	-	9.00 (2.10-9.40)	3.015 (0.550-3.580)	13.24	99
71+71	4.55	4.55	-	-	-	9.10 (2.10-9.50)	3.070 (0.550-3.700)	13.48	99
15+15+15	1.50	1.50	1.50	-	-	4.50 (2.90-5.70)	1.186 (0.690-2.410)	5.21	99
15+15+18	1.50	1.50	1.80	-	-	4.80 (2.90-6.50)	1.345 (0.750-2.810)	5.91	99
15+15+20	1.50	1.50	2.00	-	-	5.00 (2.90-6.70)	1.438 (0.780-3.240)	6.32	99
15+15+22	1.50	1.50	2.20	-	-	5.20 (2.90-7.30)	1.450 (0.750-2.810)	6.37	99
15+15+25	1.50	1.50	2.50	-	-	5.50 (2.90-7.70)	1.529 (0.750-2.810)	6.71	99
15+15+35	1.50	1.50	3.50	-	-	6.50 (2.90-7.70)	1.794 (0.750-2.810)	7.88	99
15+15+42	1.50	1.50	4.20	-	-	7.20 (2.90-8.30)	2.067 (0.750-3.200)	9.08	99
15+15+50	1.44	1.44	4.81	-	-	7.70 (2.90-8.70)	2.252 (0.760-3.395)	9.89	99
15+15+60	1.35	1.35	5.40	-	-	8.10 (2.90-8.80)	2.345 (0.770-3.390)	10.30	99
15+15+71	1.26	1.26	5.98	-	-	8.50 (2.90-8.90)	2.461 (0.780-3.385)	10.81	99
15+18+18	1.50	1.80	1.80	-	-	5.10 (2.90-7.30)	1.384 (0.720-2.610)	6.08	99
15+18+20	1.50	1.80	2.00	-	-	5.30 (2.90-7.50)	1.477 (0.750-3.040)	6.49	99
15+18+22	1.50	1.80	2.20	-	-	5.50 (2.90-7.90)	1.489 (0.720-2.610)	6.54	99
15+18+25	1.50	1.80	2.50	-	-	5.80 (2.90-7.90)	1.568 (0.720-2.610)	6.89	99
15+18+35	1.50	1.80	3.50	-	-	6.80 (2.90-8.10)	1.869 (0.720-2.745)	8.21	99
15+18+42	1.50	1.80	4.20	-	-	7.50 (2.90-8.80)	2.160 (0.720-3.200)	9.49	99
15+18+50	1.41	1.69	4.70	-	-	7.80 (2.90-8.90)	2.249 (0.730-3.195)	9.88	99
15+18+60	1.32	1.59	5.29	-	-	8.20 (2.90-9.00)	2.342 (0.740-3.190)	10.29	99

# MXZ-5D102VA COOLING

Indoor units combination	Cooling capacity (kW)						Outdoor unit power consumption(kW)	Current (A)	Power factor(%)
	Unit A	Unit B	Unit C	Unit D	Unit E	Total			
15+18+71	1.24	1.49	5.87	-	-	8.60 (2.90-9.20)	2.458 (0.750-3.190)	10.79	99
15+20+20	1.50	2.00	2.00	-	-	5.50 (2.90-7.50)	1.569 (0.780-3.470)	6.89	99
15+20+22	1.50	2.00	2.20	-	-	5.70 (2.90-7.70)	1.582 (0.750-3.040)	6.95	99
15+20+25	1.50	2.00	2.50	-	-	6.00 (2.90-7.70)	1.661 (0.750-3.040)	7.29	99
15+20+35	1.50	2.00	3.50	-	-	7.00 (2.90-8.10)	1.998 (0.750-3.305)	8.77	99
15+20+42	1.48	1.97	4.15	-	-	7.60 (2.90-8.60)	2.225 (0.750-3.630)	9.77	99
15+20+50	1.39	1.86	4.65	-	-	7.90 (2.90-8.70)	2.313 (0.760-3.625)	10.16	99
15+20+60	1.29	1.73	5.18	-	-	8.20 (2.90-8.90)	2.407 (0.770-3.625)	10.57	99
15+20+71	1.22	1.62	5.76	-	-	8.60 (2.90-9.00)	2.520 (0.780-3.625)	11.07	99
15+22+22	1.50	2.20	2.20	-	-	5.90 (2.90-7.90)	1.595 (0.720-2.610)	7.00	99
15+22+25	1.50	2.20	2.50	-	-	6.20 (2.90-7.90)	1.674 (0.720-2.610)	7.35	99
15+22+35	1.50	2.20	3.50	-	-	7.20 (2.90-8.50)	2.047 (0.720-3.010)	8.99	99
15+22+42	1.44	2.12	4.04	-	-	7.60 (2.90-8.90)	2.209 (0.720-3.205)	9.70	99
15+22+50	1.36	2.00	4.54	-	-	7.90 (2.90-9.00)	2.298 (0.730-3.200)	10.09	99
15+22+60	1.28	1.88	5.13	-	-	8.30 (2.90-9.10)	2.391 (0.740-3.195)	10.50	99
15+22+71	1.21	1.77	5.72	-	-	8.70 (2.90-9.30)	2.501 (0.750-3.205)	10.98	99
15+25+25	1.50	2.50	2.50	-	-	6.50 (2.90-7.90)	1.754 (0.720-2.610)	7.70	99
15+25+35	1.50	2.50	3.50	-	-	7.50 (2.90-8.80)	2.180 (0.720-3.210)	9.57	99
15+25+42	1.43	2.38	4.00	-	-	7.80 (2.90-8.90)	2.246 (0.730-3.205)	9.86	99
15+25+50	1.35	2.25	4.50	-	-	8.10 (2.90-9.00)	2.335 (0.740-3.200)	10.25	99
15+25+60	1.26	2.10	5.04	-	-	8.40 (2.90-9.10)	2.428 (0.750-3.195)	10.66	99
15+25+71	1.18	1.96	5.56	-	-	8.70 (2.90-9.30)	2.533 (0.740-3.220)	11.12	99
15+35+35	1.39	3.25	3.25	-	-	7.90 (2.90-8.90)	2.303 (0.730-3.215)	10.11	99
15+35+42	1.32	3.08	3.70	-	-	8.10 (2.90-9.00)	2.370 (0.740-3.210)	10.41	99
15+35+50	1.26	2.94	4.20	-	-	8.40 (2.90-9.10)	2.458 (0.750-3.205)	10.79	99
15+35+60	1.19	2.77	4.75	-	-	8.70 (2.90-9.30)	2.542 (0.740-3.225)	11.16	99
15+35+71	1.10	2.57	5.22	-	-	8.90 (2.90-9.60)	2.638 (0.730-3.265)	11.59	99
15+42+42	1.27	3.56	3.56	-	-	8.40 (2.90-9.10)	2.436 (0.740-3.205)	10.70	99
15+42+50	1.21	3.38	4.02	-	-	8.60 (2.90-9.20)	2.521 (0.750-3.210)	11.07	99
15+42+60	1.13	3.16	4.51	-	-	8.80 (2.90-9.50)	2.596 (0.730-3.245)	11.40	99
15+42+71	1.05	2.95	4.99	-	-	9.00 (2.90-9.80)	2.675 (0.720-3.305)	11.75	99
15+50+50	1.15	3.83	3.83	-	-	8.80 (2.90-9.40)	2.595 (0.740-3.240)	11.40	99
15+50+60	1.08	3.60	4.32	-	-	9.00 (2.90-9.70)	2.670 (0.720-3.275)	11.73	99
15+50+71	1.01	3.38	4.80	-	-	9.20 (2.90-10.10)	2.685 (0.710-3.395)	11.79	99
15+60+60	1.02	4.09	4.09	-	-	9.20 (2.90-10.00)	2.673 (0.710-3.385)	11.74	99
15+60+71	0.96	3.82	4.52	-	-	9.30 (2.90-10.50)	2.680 (0.700-3.510)	11.77	99
15+71+71	0.90	4.25	4.25	-	-	9.40 (2.90-10.60)	2.670 (0.690-3.550)	11.73	99
18+18+18	1.80	1.80	1.80	-	-	5.40 (2.90-8.10)	1.423 (0.690-2.410)	6.25	99
18+18+20	1.80	1.80	2.00	-	-	5.60 (2.90-7.90)	1.516 (0.720-2.840)	6.66	99
18+18+22	1.80	1.80	2.20	-	-	5.80 (2.90-8.10)	1.528 (0.690-2.410)	6.71	99
18+18+25	1.80	1.80	2.50	-	-	6.10 (2.90-8.10)	1.608 (0.690-2.410)	7.06	99

# MXZ-5D102VA COOLING

Indoor units combination	Cooling capacity (kW)						Outdoor unit power consumption(kW)	Current (A)	Power factor(%)
	Unit A	Unit B	Unit C	Unit D	Unit E	Total			
18+18+35	1.80	1.80	3.50	-	-	7.10 (2.90-8.60)	1.962 (0.690-2.745)	8.62	99
18+18+42	1.75	1.75	4.09	-	-	7.60 (2.90-9.00)	2.157 (0.690-3.000)	9.47	99
18+18+50	1.65	1.65	4.59	-	-	7.90 (2.90-9.10)	2.246 (0.700-2.995)	9.86	99
18+18+60	1.56	1.56	5.19	-	-	8.30 (2.90-9.30)	2.339 (0.710-2.995)	10.27	99
18+18+71	1.45	1.45	5.71	-	-	8.60 (2.90-9.40)	2.451 (0.720-3.000)	10.76	99
18+20+20	1.80	2.00	2.00	-	-	5.80 (2.90-7.70)	1.608 (0.750-3.270)	7.06	99
18+20+22	1.80	2.00	2.20	-	-	6.00 (2.90-7.90)	1.621 (0.720-2.840)	7.12	99
18+20+25	1.80	2.00	2.50	-	-	6.30 (2.90-7.90)	1.701 (0.720-2.840)	7.47	99
18+20+35	1.80	2.00	3.50	-	-	7.30 (2.90-8.60)	2.091 (0.720-3.305)	9.18	99
18+20+42	1.73	1.93	4.04	-	-	7.70 (2.90-8.90)	2.222 (0.730-3.435)	9.76	99
18+20+50	1.64	1.82	4.55	-	-	8.00 (2.90-9.00)	2.310 (0.730-3.430)	10.14	99
18+20+60	1.52	1.69	5.08	-	-	8.30 (2.90-9.10)	2.404 (0.740-3.425)	10.56	99
18+20+71	1.44	1.60	5.67	-	-	8.70 (2.90-9.30)	2.512 (0.740-3.440)	11.03	99
18+22+22	1.80	2.20	2.20	-	-	6.20 (2.90-8.10)	1.634 (0.690-2.410)	7.18	99
18+22+25	1.80	2.20	2.50	-	-	6.50 (2.90-8.10)	1.714 (0.690-2.410)	7.53	99
18+22+35	1.80	2.20	3.50	-	-	7.50 (2.90-9.00)	2.140 (0.690-3.010)	9.40	99
18+22+42	1.71	2.09	4.00	-	-	7.80 (2.90-9.10)	2.206 (0.700-3.005)	9.69	99
18+22+50	1.62	1.98	4.50	-	-	8.10 (2.90-9.20)	2.295 (0.710-3.000)	10.08	99
18+22+60	1.51	1.85	5.04	-	-	8.40 (2.90-9.30)	2.388 (0.720-2.995)	10.49	99
18+22+71	1.41	1.72	5.56	-	-	8.70 (2.90-9.50)	2.493 (0.710-3.020)	10.95	99
18+25+25	1.80	2.50	2.50	-	-	6.80 (2.90-8.30)	1.829 (0.690-2.545)	8.03	99
18+25+35	1.75	2.44	3.41	-	-	7.60 (2.90-9.00)	2.177 (0.690-3.010)	9.56	99
18+25+42	1.67	2.32	3.90	-	-	7.90 (2.90-9.10)	2.243 (0.700-3.005)	9.85	99
18+25+50	1.59	2.20	4.41	-	-	8.20 (2.90-9.20)	2.332 (0.710-3.000)	10.24	99
18+25+60	1.49	2.06	4.95	-	-	8.50 (2.90-9.40)	2.425 (0.720-3.000)	10.65	99
18+25+71	1.39	1.93	5.48	-	-	8.80 (2.90-9.60)	2.524 (0.710-3.035)	11.08	99
18+35+35	1.64	3.18	3.18	-	-	8.00 (2.90-9.20)	2.300 (0.700-3.020)	10.10	99
18+35+42	1.55	3.02	3.63	-	-	8.20 (2.90-9.30)	2.367 (0.710-3.015)	10.40	99
18+35+50	1.49	2.89	4.13	-	-	8.50 (2.90-9.40)	2.455 (0.720-3.010)	10.78	99
18+35+60	1.40	2.73	4.67	-	-	8.80 (2.90-9.60)	2.534 (0.710-3.040)	11.13	99
18+35+71	1.31	2.54	5.15	-	-	9.00 (2.90-9.90)	2.629 (0.690-3.080)	11.55	99
18+42+50	1.42	3.32	3.95	-	-	8.70 (2.90-9.50)	2.512 (0.710-3.025)	11.03	99
18+42+60	1.34	3.12	4.45	-	-	8.90 (2.90-9.80)	2.587 (0.700-3.060)	11.36	99
18+42+71	1.25	2.92	4.93	-	-	9.10 (2.90-10.10)	2.643 (0.680-3.145)	11.61	99
18+50+50	1.34	3.73	3.73	-	-	8.80 (2.90-9.70)	2.586 (0.700-3.050)	11.36	99
18+50+60	1.27	3.52	4.22	-	-	9.00 (2.90-10.00)	2.645 (0.690-3.105)	11.62	99
18+50+71	1.19	3.31	4.70	-	-	9.20 (2.90-10.40)	2.653 (0.670-3.235)	11.65	99
18+60+60	1.20	4.00	4.00	-	-	9.20 (2.90-10.40)	2.640 (0.680-3.220)	11.59	99
18+60+71	1.14	3.79	4.48	-	-	9.40 (2.90-10.80)	2.648 (0.660-3.350)	11.63	99
18+71+71	1.06	4.17	4.17	-	-	9.40 (2.90-10.80)	2.630 (0.660-3.350)	11.55	99
20+20+20	2.00	2.00	2.00	-	-	6.00 (2.90-7.50)	1.581 (0.690-2.410)	6.94	99



# MXZ-5D102VA COOLING

Indoor units combination	Cooling capacity (kW)						Outdoor unit power consumption(kW)	Current (A)	Power factor(%)
	Unit A	Unit B	Unit C	Unit D	Unit E	Total			
20+20+22	2.00	2.00	2.20	-	-	6.20 (2.90-7.70)	1.714 (0.750-3.270)	7.53	99
20+20+25	2.00	2.00	2.50	-	-	6.50 (2.90-7.70)	1.794 (0.750-3.270)	7.88	99
20+20+35	2.00	2.00	3.50	-	-	7.50 (2.90-8.60)	2.220 (0.750-3.870)	9.75	99
20+20+42	1.90	1.90	4.00	-	-	7.80 (2.90-8.70)	2.286 (0.760-3.865)	10.04	99
20+20+50	1.80	1.80	4.50	-	-	8.10 (2.90-8.80)	2.375 (0.770-3.860)	10.43	99
20+20+60	1.68	1.68	5.04	-	-	8.40 (2.90-8.90)	2.468 (0.780-3.855)	10.84	99
20+20+71	1.57	1.57	5.56	-	-	8.70 (2.90-9.10)	2.573 (0.770-3.880)	11.30	99
20+22+22	2.00	2.20	2.20	-	-	6.40 (2.90-7.90)	1.727 (0.720-2.840)	7.58	99
20+22+25	2.00	2.20	2.50	-	-	6.70 (2.90-8.00)	1.824 (0.720-2.905)	8.01	99
20+22+35	1.97	2.17	3.45	-	-	7.60 (2.90-8.80)	2.205 (0.720-3.440)	9.68	99
20+22+42	1.86	2.04	3.90	-	-	7.80 (2.90-8.90)	2.271 (0.730-3.435)	9.97	99
20+22+50	1.76	1.94	4.40	-	-	8.10 (2.90-9.00)	2.360 (0.740-3.430)	10.36	99
20+22+71	1.56	1.71	5.53	-	-	8.80 (2.90-9.40)	2.554 (0.740-3.460)	11.22	99
20+25+25	2.00	2.50	2.50	-	-	7.00 (2.90-8.30)	1.958 (0.720-3.105)	8.60	99
20+25+35	1.93	2.41	3.37	-	-	7.70 (2.90-8.90)	2.242 (0.730-3.445)	9.85	99
20+25+42	1.82	2.27	3.81	-	-	7.90 (2.90-9.00)	2.308 (0.730-3.440)	10.14	99
20+25+50	1.73	2.16	4.32	-	-	8.20 (2.90-9.10)	2.397 (0.740-3.435)	10.53	99
20+25+60	1.64	2.05	4.91	-	-	8.60 (2.90-9.20)	2.490 (0.750-3.430)	10.94	99
20+25+71	1.52	1.90	5.39	-	-	8.80 (2.90-9.50)	2.585 (0.730-3.470)	11.35	99
20+35+35	1.80	3.15	3.15	-	-	8.10 (2.90-9.00)	2.365 (0.740-3.450)	10.39	99
20+35+42	1.71	2.99	3.59	-	-	8.30 (2.90-9.10)	2.431 (0.740-3.445)	10.68	99
20+35+50	1.64	2.87	4.10	-	-	8.60 (2.90-9.20)	2.520 (0.750-3.440)	11.07	99
20+35+60	1.53	2.68	4.59	-	-	8.80 (2.90-9.40)	2.595 (0.740-3.480)	11.40	99
20+35+71	1.43	2.50	5.07	-	-	9.00 (2.90-9.70)	2.690 (0.720-3.520)	11.81	99
20+42+42	1.65	3.47	3.47	-	-	8.60 (2.90-9.20)	2.498 (0.750-3.440)	10.97	99
20+42+50	1.55	3.26	3.88	-	-	8.70 (2.90-9.40)	2.573 (0.740-3.465)	11.30	99
20+42+60	1.46	3.06	4.38	-	-	8.90 (2.90-9.60)	2.648 (0.730-3.500)	11.63	99
20+42+71	1.37	2.87	4.86	-	-	9.10 (2.90-10.00)	2.688 (0.710-3.600)	11.81	99
20+50+50	1.48	3.71	3.71	-	-	8.90 (2.90-9.60)	2.647 (0.730-3.490)	11.62	99
20+50+60	1.40	3.50	4.20	-	-	9.10 (2.90-9.90)	2.690 (0.720-3.560)	11.81	99
20+50+71	1.32	3.30	4.68	-	-	9.30 (2.90-10.30)	2.698 (0.700-3.690)	11.85	99
20+60+60	1.31	3.94	3.94	-	-	9.20 (2.90-10.20)	2.685 (0.700-3.675)	11.79	99
20+60+71	1.25	3.74	4.42	-	-	9.40 (2.90-10.60)	2.690 (0.690-3.790)	11.81	99
20+71+71	1.16	4.12	4.12	-	-	9.40 (2.90-10.60)	2.670 (0.690-3.780)	11.73	99
22+22+22	2.20	2.20	2.20	-	-	6.60 (2.90-8.10)	1.740 (0.690-2.410)	7.64	99
22+22+25	2.20	2.20	2.50	-	-	6.90 (2.90-8.40)	1.873 (0.690-2.610)	8.23	99
22+22+35	2.12	2.12	3.37	-	-	7.60 (2.90-9.10)	2.189 (0.690-3.015)	9.61	99
22+22+42	2.02	2.02	3.86	-	-	7.90 (2.90-9.10)	2.256 (0.700-3.005)	9.91	99
22+22+50	1.92	1.92	4.36	-	-	8.20 (2.90-9.30)	2.344 (0.710-3.005)	10.29	99
22+22+60	1.82	1.82	4.96	-	-	8.60 (2.90-9.40)	2.438 (0.720-3.000)	10.71	99
22+22+71	1.68	1.68	5.43	-	-	8.80 (2.90-9.60)	2.535 (0.710-3.040)	11.13	99

# MXZ-5D102VA COOLING

Indoor units combination	Cooling capacity (kW)						Outdoor unit power consumption(kW)	Current (A)	Power factor(%)
	Unit A	Unit B	Unit C	Unit D	Unit E	Total			
22+25+25	2.20	2.50	2.50	-	-	7.20 (2.90-8.70)	2.007 (0.690-2.810)	8.81	99
22+25+35	2.09	2.38	3.33	-	-	7.80 (2.90-9.10)	2.226 (0.700-3.015)	9.78	99
22+25+42	1.98	2.25	3.78	-	-	8.00 (2.90-9.20)	2.293 (0.700-3.010)	10.07	99
22+25+50	1.88	2.14	4.28	-	-	8.30 (2.90-9.30)	2.381 (0.710-3.005)	10.46	99
22+25+60	1.77	2.01	4.82	-	-	8.60 (2.90-9.40)	2.471 (0.720-3.010)	10.85	99
22+25+71	1.64	1.86	5.29	-	-	8.80 (2.90-9.70)	2.566 (0.700-3.050)	11.27	99
22+35+35	1.94	3.08	3.08	-	-	8.10 (2.90-9.20)	2.350 (0.710-3.020)	10.32	99
22+35+42	1.87	2.97	3.56	-	-	8.40 (2.90-9.30)	2.416 (0.710-3.015)	10.61	99
22+35+50	1.77	2.81	4.02	-	-	8.60 (2.90-9.40)	2.501 (0.720-3.020)	10.98	99
22+35+60	1.65	2.63	4.51	-	-	8.80 (2.90-9.70)	2.576 (0.700-3.055)	11.31	99
22+35+71	1.55	2.46	4.99	-	-	9.00 (2.90-10.00)	2.655 (0.690-3.115)	11.66	99
22+42+42	1.78	3.41	3.41	-	-	8.60 (2.90-9.40)	2.480 (0.720-3.015)	10.89	99
22+42+50	1.70	3.24	3.86	-	-	8.80 (2.90-9.60)	2.554 (0.710-3.045)	11.22	99
22+42+60	1.60	3.05	4.35	-	-	9.00 (2.90-9.90)	2.629 (0.690-3.080)	11.55	99
22+42+71	1.50	2.86	4.84	-	-	9.20 (2.90-10.20)	2.653 (0.680-3.195)	11.65	99
22+50+50	1.60	3.65	3.65	-	-	8.90 (2.90-9.80)	2.628 (0.700-3.070)	11.54	99
22+50+60	1.52	3.45	4.14	-	-	9.10 (2.90-10.10)	2.655 (0.680-3.155)	11.66	99
22+50+71	1.43	3.25	4.62	-	-	9.30 (2.90-10.50)	2.663 (0.670-3.285)	11.70	99
22+60+60	1.44	3.93	3.93	-	-	9.30 (2.90-10.50)	2.650 (0.670-3.270)	11.64	99
22+60+71	1.35	3.69	4.36	-	-	9.40 (2.90-10.80)	2.650 (0.660-3.360)	11.64	99
22+71+71	1.26	4.07	4.07	-	-	9.40 (2.90-10.80)	2.630 (0.660-3.350)	11.55	99
25+25+25	2.50	2.50	2.50	-	-	7.50 (2.90-9.00)	2.140 (0.690-3.010)	9.40	99
25+25+35	2.32	2.32	3.25	-	-	7.90 (2.90-9.10)	2.263 (0.700-3.015)	9.94	99
25+25+42	2.20	2.20	3.70	-	-	8.10 (2.90-9.20)	2.330 (0.710-3.010)	10.23	99
25+25+50	2.10	2.10	4.20	-	-	8.40 (2.90-9.30)	2.418 (0.720-3.005)	10.62	99
25+25+60	1.98	1.98	4.75	-	-	8.70 (2.90-9.50)	2.502 (0.710-3.025)	10.99	99
25+25+71	1.84	1.84	5.22	-	-	8.90 (2.90-9.80)	2.598 (0.700-3.065)	11.41	99
25+35+35	2.16	3.02	3.02	-	-	8.20 (2.90-9.30)	2.387 (0.710-3.025)	10.48	99
25+35+50	1.98	2.77	3.95	-	-	8.70 (2.90-9.50)	2.532 (0.710-3.035)	11.12	99
25+35+60	1.85	2.60	4.45	-	-	8.90 (2.90-9.80)	2.607 (0.700-3.070)	11.45	99
25+35+71	1.74	2.43	4.93	-	-	9.10 (2.90-10.10)	2.663 (0.680-3.155)	11.70	99
25+42+42	2.00	3.35	3.35	-	-	8.70 (2.90-9.50)	2.512 (0.710-3.030)	11.03	99
25+42+50	1.88	3.16	3.76	-	-	8.80 (2.90-9.70)	2.586 (0.700-3.055)	11.36	99
25+42+60	1.77	2.98	4.25	-	-	9.00 (2.90-9.90)	2.653 (0.690-3.105)	11.65	99
25+42+71	1.67	2.80	4.73	-	-	9.20 (2.90-10.40)	2.660 (0.680-3.230)	11.68	99
25+50+50	1.80	3.60	3.60	-	-	9.00 (2.90-9.90)	2.660 (0.690-3.085)	11.68	99
25+50+60	1.70	3.41	4.09	-	-	9.20 (2.90-10.20)	2.663 (0.680-3.195)	11.70	99
25+50+71	1.59	3.18	4.52	-	-	9.30 (2.90-10.70)	2.670 (0.670-3.320)	11.73	99
25+60+60	1.60	3.85	3.85	-	-	9.30 (2.90-10.60)	2.658 (0.670-3.310)	11.67	99
25+60+71	1.51	3.62	4.28	-	-	9.40 (2.90-10.80)	2.650 (0.660-3.360)	11.64	99
25+71+71	1.41	4.00	4.00	-	-	9.40 (2.90-10.80)	2.630 (0.660-3.350)	11.55	99

# MXZ-5D102VA COOLING

Indoor units combination	Cooling capacity (kW)						Outdoor unit power consumption(kW)	Current (A)	Power factor(%)
	Unit A	Unit B	Unit C	Unit D	Unit E	Total			
35+35+35	2.87	2.87	2.87	-	-	8.60 (2.90-9.40)	2.510 (0.720-3.030)	11.02	99
35+35+42	2.72	2.72	3.26	-	-	8.70 (2.90-9.60)	2.563 (0.710-3.055)	11.26	99
35+35+50	2.60	2.60	3.71	-	-	8.90 (2.90-9.80)	2.637 (0.700-3.080)	11.58	99
35+35+60	2.45	2.45	4.20	-	-	9.10 (2.90-10.10)	2.680 (0.690-3.150)	11.77	99
35+35+71	2.31	2.31	4.68	-	-	9.30 (2.90-10.50)	2.688 (0.670-3.280)	11.81	99
35+42+42	2.62	3.14	3.14	-	-	8.90 (2.90-9.70)	2.617 (0.700-3.075)	11.49	99
35+42+50	2.48	2.98	3.54	-	-	9.00 (2.90-9.90)	2.683 (0.690-3.115)	11.78	99
35+42+60	2.35	2.82	4.03	-	-	9.20 (2.90-10.30)	2.678 (0.680-3.230)	11.76	99
35+42+71	2.22	2.67	4.51	-	-	9.40 (2.90-10.70)	2.685 (0.660-3.355)	11.79	99
35+50+50	2.39	3.41	3.41	-	-	9.20 (2.90-10.20)	2.693 (0.680-3.205)	11.83	99
35+50+60	2.24	3.21	3.85	-	-	9.30 (2.90-10.60)	2.688 (0.670-3.320)	11.81	99
35+50+71	2.11	3.01	4.28	-	-	9.40 (2.90-10.80)	2.680 (0.660-3.370)	11.77	99
35+60+60	2.12	3.64	3.64	-	-	9.40 (2.90-10.80)	2.670 (0.660-3.370)	11.73	99
35+60+71	1.98	3.40	4.02	-	-	9.40 (2.90-10.80)	2.650 (0.660-3.360)	11.64	99
42+42+42	3.00	3.00	3.00	-	-	9.00 (2.90-9.90)	2.730 (0.690-3.130)	11.99	99
42+42+50	2.85	2.85	3.40	-	-	9.10 (2.90-10.20)	2.680 (0.680-3.190)	11.77	99
42+42+60	2.71	2.71	3.88	-	-	9.30 (2.90-10.60)	2.675 (0.670-3.305)	11.75	99
42+42+71	2.55	2.55	4.31	-	-	9.40 (2.90-10.80)	2.670 (0.660-3.370)	11.73	99
42+50+50	2.75	3.27	3.27	-	-	9.30 (2.90-10.50)	2.690 (0.670-3.280)	11.81	99
42+50+60	2.60	3.09	3.71	-	-	9.40 (2.90-10.80)	2.680 (0.660-3.370)	11.77	99
42+50+71	2.42	2.88	4.09	-	-	9.40 (2.90-10.80)	2.660 (0.660-3.360)	11.68	99
42+60+60	2.44	3.48	3.48	-	-	9.40 (2.90-10.80)	2.650 (0.660-3.360)	11.64	99
50+50+50	3.13	3.13	3.13	-	-	9.40 (2.90-10.80)	2.790 (0.660-3.430)	12.25	99
50+50+60	2.94	2.94	3.53	-	-	9.40 (2.90-10.80)	2.670 (0.660-3.360)	11.73	99
50+50+71	2.75	2.75	3.90	-	-	9.40 (2.90-10.80)	2.650 (0.660-3.350)	11.64	99
50+60+60	2.76	3.32	3.32	-	-	9.40 (2.90-10.80)	2.640 (0.660-3.350)	11.59	99
15+15+15+15	1.50	1.50	1.50	1.50	-	6.00 (3.70-6.40)	2.005 (0.810-3.195)	8.81	99
15+15+15+18	1.50	1.50	1.50	1.80	-	6.30 (3.70-7.10)	1.655 (0.900-3.195)	7.27	99
15+15+15+20	1.48	1.48	1.48	1.97	-	6.40 (3.70-7.20)	1.582 (0.930-3.265)	6.95	99
15+15+15+22	1.50	1.50	1.50	2.20	-	6.70 (3.70-7.80)	1.789 (0.900-3.195)	7.86	99
15+15+15+25	1.50	1.50	1.50	2.50	-	7.00 (3.70-8.30)	1.889 (0.900-3.195)	8.30	99
15+15+15+35	1.50	1.50	1.50	3.50	-	8.00 (3.70-8.60)	2.224 (0.900-3.195)	9.77	99
15+15+15+42	1.50	1.50	1.50	4.20	-	8.70 (3.70-8.60)	2.445 (0.900-3.185)	10.74	99
15+15+15+50	1.37	1.37	1.37	4.58	-	8.70 (3.70-9.00)	2.470 (0.900-3.320)	10.85	99
15+15+15+60	1.24	1.24	1.24	4.97	-	8.70 (3.70-9.30)	2.478 (0.900-3.425)	10.88	99
15+15+15+71	1.15	1.15	1.15	5.45	-	8.90 (3.70-9.30)	2.540 (0.900-3.450)	11.16	99
15+15+18+18	1.50	1.50	1.80	1.80	-	6.60 (3.70-7.80)	1.906 (0.870-3.195)	8.37	99
15+15+18+20	1.48	1.48	1.77	1.97	-	6.70 (3.70-7.90)	1.832 (0.900-3.265)	8.05	99
15+15+18+22	1.50	1.50	1.80	2.20	-	7.00 (3.70-8.50)	2.039 (0.870-3.195)	8.95	99
15+15+18+25	1.50	1.50	1.80	2.50	-	7.30 (3.70-8.80)	2.140 (0.870-3.195)	9.40	99
15+15+18+35	1.50	1.50	1.80	3.50	-	8.30 (3.70-8.80)	2.474 (0.870-3.195)	10.87	99

# MXZ-5D102VA COOLING

Indoor units combination	Cooling capacity (kW)						Outdoor unit power consumption(kW)	Current (A)	Power factor(%)
	Unit A	Unit B	Unit C	Unit D	Unit E	Total			
15+15+18+42	1.47	1.47	1.76	4.11	-	8.80 (3.70-8.90)	2.630 (0.870-3.225)	11.55	99
15+15+18+50	1.32	1.32	1.58	4.39	-	8.60 (3.70-9.40)	2.620 (0.870-3.380)	11.51	99
15+15+18+60	1.22	1.22	1.47	4.89	-	8.80 (3.70-9.50)	2.650 (0.870-3.435)	11.64	99
15+15+18+71	1.13	1.13	1.36	5.37	-	9.00 (3.70-9.50)	2.713 (0.870-3.455)	11.91	99
15+15+20+20	1.46	1.46	1.94	1.94	-	6.80 (3.70-8.10)	1.759 (0.930-3.335)	7.73	99
15+15+20+22	1.48	1.48	1.97	2.17	-	7.10 (3.70-8.60)	1.966 (0.900-3.265)	8.63	99
15+15+20+25	1.48	1.48	1.97	2.47	-	7.40 (3.70-8.60)	2.067 (0.900-3.265)	9.08	99
15+15+20+35	1.48	1.48	1.98	3.46	-	8.40 (3.70-8.60)	2.404 (0.900-3.265)	10.56	99
15+15+20+42	1.40	1.40	1.87	3.93	-	8.60 (3.70-8.80)	2.490 (0.900-3.335)	10.94	99
15+15+20+50	1.28	1.28	1.70	4.25	-	8.50 (3.70-9.30)	2.480 (0.902-3.490)	10.89	99
15+15+20+60	1.19	1.19	1.58	4.75	-	8.70 (3.70-9.30)	2.525 (0.900-3.510)	11.09	99
15+15+20+71	1.10	1.10	1.47	5.22	-	8.90 (3.70-9.40)	2.588 (0.900-3.535)	11.37	99
15+15+22+22	1.50	1.50	2.20	2.20	-	7.40 (3.70-8.80)	2.173 (0.870-3.195)	9.54	99
15+15+22+25	1.50	1.50	2.20	2.50	-	7.70 (3.70-8.80)	2.274 (0.870-3.195)	9.99	99
15+15+22+35	1.50	1.50	2.20	3.50	-	8.70 (3.70-8.80)	2.615 (0.870-3.195)	11.48	99
15+15+22+42	1.39	1.39	2.04	3.89	-	8.70 (3.70-9.20)	2.630 (0.870-3.310)	11.55	99
15+15+22+60	1.18	1.18	1.73	4.71	-	8.80 (3.70-9.50)	2.680 (0.870-3.445)	11.77	99
15+15+22+71	1.11	1.11	1.63	5.25	-	9.10 (3.70-9.60)	2.743 (0.870-3.470)	12.05	99
15+15+25+25	1.50	1.50	2.50	2.50	-	8.00 (3.70-8.80)	2.374 (0.870-3.195)	10.43	99
15+15+25+35	1.47	1.47	2.44	3.42	-	8.80 (3.70-8.90)	2.650 (0.870-3.235)	11.64	99
15+15+25+42	1.35	1.35	2.24	3.77	-	8.70 (3.70-9.30)	2.630 (0.870-3.370)	11.55	99
15+15+25+50	1.24	1.24	2.07	4.14	-	8.70 (3.70-9.50)	2.658 (0.870-3.435)	11.67	99
15+15+25+60	1.16	1.16	1.93	4.64	-	8.90 (3.70-9.50)	2.703 (0.870-3.455)	11.87	99
15+15+25+71	1.08	1.08	1.81	5.13	-	9.10 (3.70-9.60)	2.765 (0.870-3.480)	12.14	99
15+15+35+35	1.29	1.29	3.01	3.01	-	8.60 (3.70-9.50)	2.650 (0.872-3.440)	11.64	99
15+15+35+42	1.22	1.22	2.85	3.41	-	8.70 (3.70-9.50)	2.683 (0.870-3.450)	11.78	99
15+15+35+50	1.16	1.16	2.71	3.87	-	8.90 (3.70-9.50)	2.733 (0.870-3.465)	12.00	99
15+15+35+60	1.09	1.09	2.55	4.37	-	9.10 (3.70-9.60)	2.778 (0.870-3.485)	12.20	99
15+15+35+71	1.03	1.03	2.39	4.86	-	9.30 (3.70-9.60)	2.840 (0.870-3.510)	12.47	99
15+15+42+42	1.17	1.17	3.28	3.28	-	8.90 (3.70-9.50)	2.715 (0.870-3.460)	11.92	99
15+15+42+50	1.11	1.11	3.10	3.69	-	9.00 (3.70-9.60)	2.765 (0.870-3.475)	12.14	99
15+15+42+60	1.05	1.05	2.93	4.18	-	9.20 (3.70-9.60)	2.810 (0.870-3.495)	12.34	99
15+15+42+71	0.99	0.99	2.76	4.67	-	9.40 (3.70-9.60)	2.850 (0.870-3.510)	12.52	99
15+15+50+50	1.06	1.06	3.54	3.54	-	9.20 (3.70-9.60)	2.815 (0.870-3.490)	12.36	99
15+15+50+60	1.01	1.01	3.36	4.03	-	9.40 (3.70-9.60)	2.860 (0.870-3.510)	12.56	99
15+15+50+71	0.93	0.93	3.11	4.42	-	9.40 (3.70-9.60)	2.840 (0.870-3.500)	12.47	99
15+15+60+60	0.94	0.94	3.76	3.76	-	9.40 (3.70-9.60)	2.830 (0.870-3.500)	12.43	99
15+15+60+71	0.88	0.88	3.50	4.15	-	9.40 (3.70-9.60)	2.810 (0.870-3.490)	12.34	99
15+15+71+71	0.82	0.82	3.88	3.88	-	9.40 (3.70-9.60)	2.790 (0.870-3.480)	12.25	99
15+18+18+18	1.50	1.80	1.80	1.80	-	6.90 (3.70-8.50)	2.156 (0.840-3.195)	9.47	99
15+18+18+20	1.48	1.77	1.77	1.97	-	7.00 (3.70-8.60)	2.083 (0.870-3.265)	9.15	99

# MXZ-5D102VA COOLING

Indoor units combination	Cooling capacity (kW)						Outdoor unit power consumption(kW)	Current (A)	Power factor(%)
	Unit A	Unit B	Unit C	Unit D	Unit E	Total			
15+18+18+22	1.50	1.80	1.80	2.20	-	7.30 (3.70-9.00)	2.290 (0.840-3.195)	10.06	99
15+18+18+25	1.50	1.80	1.80	2.50	-	7.60 (3.70-9.00)	2.390 (0.840-3.195)	10.50	99
15+18+18+35	1.50	1.80	1.80	3.50	-	8.60 (3.70-9.00)	2.730 (0.840-3.195)	11.99	99
15+18+18+42	1.40	1.68	1.68	3.93	-	8.70 (3.70-9.30)	2.780 (0.840-3.285)	12.21	99
15+18+18+50	1.28	1.53	1.53	4.26	-	8.60 (3.70-9.70)	2.778 (0.840-3.425)	12.20	99
15+18+18+60	1.19	1.43	1.43	4.76	-	8.80 (3.70-9.70)	2.823 (0.840-3.445)	12.40	99
15+18+18+71	1.11	1.33	1.33	5.24	-	9.00 (3.70-9.80)	2.885 (0.840-3.465)	12.67	99
15+18+20+20	1.46	1.75	1.95	1.95	-	7.10 (3.70-8.60)	2.010 (0.900-3.335)	8.83	99
15+18+20+22	1.48	1.78	1.97	2.17	-	7.40 (3.70-8.80)	2.217 (0.870-3.265)	9.74	99
15+18+20+25	1.48	1.78	1.97	2.47	-	7.70 (3.70-8.80)	2.317 (0.870-3.265)	10.18	99
15+18+20+35	1.48	1.78	1.98	3.46	-	8.70 (3.70-8.80)	2.660 (0.870-3.265)	11.68	99
15+18+20+42	1.36	1.63	1.81	3.80	-	8.60 (3.70-9.20)	2.640 (0.870-3.400)	11.59	99
15+18+20+50	1.25	1.50	1.67	4.17	-	8.60 (3.70-9.50)	2.653 (0.870-3.500)	11.65	99
15+18+20+60	1.17	1.40	1.56	4.67	-	8.80 (3.70-9.50)	2.698 (0.870-3.520)	11.85	99
15+18+20+71	1.09	1.31	1.45	5.15	-	9.00 (3.70-9.60)	2.760 (0.870-3.540)	12.12	99
15+18+22+22	1.50	1.80	2.20	2.20	-	7.70 (3.70-9.00)	2.424 (0.840-3.195)	10.65	99
15+18+22+25	1.50	1.80	2.20	2.50	-	8.00 (3.70-9.00)	2.524 (0.840-3.195)	11.08	99
15+18+22+35	1.47	1.76	2.15	3.42	-	8.80 (3.70-9.10)	2.800 (0.840-3.235)	12.30	99
15+18+22+42	1.35	1.61	1.97	3.77	-	8.70 (3.70-9.50)	2.780 (0.840-3.370)	12.21	99
15+18+22+50	1.24	1.49	1.82	4.14	-	8.70 (3.70-9.70)	2.808 (0.840-3.435)	12.33	99
15+18+22+60	1.16	1.39	1.70	4.64	-	8.90 (3.70-9.70)	2.853 (0.840-3.455)	12.53	99
15+18+22+71	1.08	1.30	1.59	5.13	-	9.10 (3.70-9.80)	2.915 (0.840-3.480)	12.80	99
15+18+25+25	1.50	1.80	2.50	2.50	-	8.30 (3.70-9.00)	2.624 (0.840-3.195)	11.52	99
15+18+25+35	1.40	1.68	2.34	3.27	-	8.70 (3.70-9.30)	2.800 (0.840-3.295)	12.30	99
15+18+25+42	1.29	1.55	2.15	3.61	-	8.60 (3.70-9.70)	2.780 (0.842-3.430)	12.21	99
15+18+25+50	1.22	1.47	2.04	4.07	-	8.80 (3.70-9.70)	2.830 (0.840-3.445)	12.43	99
15+18+25+60	1.14	1.37	1.91	4.58	-	9.00 (3.70-9.70)	2.875 (0.840-3.465)	12.63	99
15+18+25+71	1.07	1.28	1.78	5.06	-	9.20 (3.70-9.80)	2.938 (0.840-3.485)	12.90	99
15+18+35+35	1.27	1.52	2.96	2.96	-	8.70 (3.70-9.70)	2.823 (0.840-3.450)	12.40	99
15+18+35+42	1.20	1.44	2.80	3.36	-	8.80 (3.70-9.70)	2.855 (0.840-3.460)	12.54	99
15+18+35+50	1.14	1.37	2.67	3.81	-	9.00 (3.70-9.70)	2.905 (0.840-3.475)	12.76	99
15+18+35+60	1.08	1.29	2.52	4.31	-	9.20 (3.70-9.80)	2.950 (0.840-3.495)	12.96	99
15+18+35+71	1.01	1.22	2.37	4.80	-	9.40 (3.70-9.80)	3.013 (0.840-3.515)	13.23	99
15+18+42+42	1.14	1.37	3.19	3.19	-	8.90 (3.70-9.70)	2.888 (0.840-3.470)	12.68	99
15+18+42+50	1.09	1.31	3.06	3.64	-	9.10 (3.70-9.80)	2.938 (0.840-3.485)	12.90	99
15+18+42+60	1.03	1.24	2.89	4.13	-	9.30 (3.70-9.80)	2.983 (0.840-3.505)	13.10	99
15+18+42+71	0.97	1.16	2.70	4.57	-	9.40 (3.70-9.80)	3.000 (0.840-3.510)	13.18	99
15+18+50+50	1.05	1.26	3.50	3.50	-	9.30 (3.70-9.80)	2.988 (0.840-3.500)	13.12	99
15+18+50+60	0.99	1.18	3.29	3.94	-	9.40 (3.70-9.80)	3.010 (0.840-3.510)	13.22	99
15+18+50+71	0.92	1.10	3.05	4.33	-	9.40 (3.70-9.80)	2.990 (0.840-3.500)	13.13	99
15+18+60+60	0.92	1.11	3.69	3.69	-	9.40 (3.70-9.80)	2.980 (0.840-3.500)	13.09	99

# MXZ-5D102VA COOLING

Indoor units combination	Cooling capacity (kW)						Outdoor unit power consumption(kW)	Current (A)	Power factor(%)
	Unit A	Unit B	Unit C	Unit D	Unit E	Total			
15+18+60+71	0.86	1.03	3.44	4.07	-	9.40 (3.70-9.80)	2.960 (0.840-3.490)	13.00	99
15+20+20+20	1.44	1.92	1.92	1.92	-	7.20 (3.70-8.40)	1.937 (0.930-3.405)	8.51	99
15+20+20+22	1.46	1.95	1.95	2.14	-	7.50 (3.70-8.60)	2.144 (0.900-3.335)	9.42	99
15+20+20+25	1.46	1.95	1.95	2.44	-	7.80 (3.70-8.60)	2.244 (0.900-3.335)	9.86	99
15+20+20+35	1.43	1.91	1.91	3.34	-	8.60 (3.70-8.70)	2.520 (0.900-3.375)	11.07	99
15+20+20+42	1.31	1.75	1.75	3.68	-	8.50 (3.70-9.10)	2.500 (0.900-3.510)	10.98	99
15+20+20+50	1.21	1.62	1.62	4.05	-	8.50 (3.70-9.30)	2.528 (0.900-3.575)	11.10	99
15+20+20+60	1.13	1.51	1.51	4.54	-	8.70 (3.70-9.30)	2.573 (0.900-3.595)	11.30	99
15+20+20+71	1.06	1.41	1.41	5.02	-	8.90 (3.70-9.40)	2.635 (0.900-3.620)	11.57	99
15+20+22+22	1.48	1.97	2.17	2.17	-	7.80 (3.70-8.80)	2.351 (0.870-3.265)	10.32	99
15+20+22+25	1.48	1.98	2.17	2.47	-	8.10 (3.70-8.80)	2.451 (0.870-3.265)	10.76	99
15+20+22+35	1.40	1.87	2.06	3.27	-	8.60 (3.70-9.00)	2.660 (0.870-3.345)	11.68	99
15+20+22+42	1.29	1.72	1.89	3.61	-	8.50 (3.70-9.40)	2.640 (0.870-3.480)	11.59	99
15+20+22+50	1.21	1.61	1.77	4.02	-	8.60 (3.70-9.50)	2.683 (0.870-3.510)	11.78	99
15+20+22+60	1.13	1.50	1.65	4.51	-	8.80 (3.70-9.50)	2.728 (0.870-3.530)	11.98	99
15+20+22+71	1.07	1.42	1.56	5.05	-	9.10 (3.70-9.60)	2.790 (0.870-3.555)	12.25	99
15+20+25+25	1.48	1.98	2.47	2.47	-	8.40 (3.70-8.80)	2.554 (0.870-3.265)	11.22	99
15+20+25+35	1.36	1.81	2.26	3.17	-	8.60 (3.70-9.20)	2.660 (0.870-3.410)	11.68	99
15+20+25+50	1.19	1.58	1.98	3.95	-	8.70 (3.70-9.50)	2.705 (0.870-3.520)	11.88	99
15+20+25+60	1.11	1.48	1.85	4.45	-	8.90 (3.70-9.60)	2.750 (0.870-3.540)	12.08	99
15+20+25+71	1.04	1.39	1.74	4.93	-	9.10 (3.70-9.60)	2.813 (0.870-3.565)	12.35	99
15+20+35+35	1.23	1.64	2.87	2.87	-	8.60 (3.70-9.50)	2.698 (0.870-3.525)	11.85	99
15+20+35+42	1.17	1.55	2.72	3.26	-	8.70 (3.70-9.50)	2.730 (0.870-3.535)	11.99	99
15+20+35+50	1.11	1.48	2.60	3.71	-	8.90 (3.70-9.60)	2.780 (0.870-3.550)	12.21	99
15+20+35+60	1.05	1.40	2.45	4.20	-	9.10 (3.70-9.60)	2.825 (0.870-3.570)	12.41	99
15+20+35+71	0.99	1.32	2.31	4.68	-	9.30 (3.70-9.60)	2.880 (0.870-3.590)	12.65	99
15+20+42+42	1.12	1.50	3.14	3.14	-	8.90 (3.70-9.50)	2.763 (0.870-3.545)	12.13	99
15+20+42+50	1.06	1.42	2.98	3.54	-	9.00 (3.70-9.60)	2.813 (0.870-3.560)	12.35	99
15+20+42+60	1.01	1.34	2.82	4.03	-	9.20 (3.70-9.60)	2.858 (0.870-3.580)	12.55	99
15+20+42+71	0.94	1.26	2.64	4.46	-	9.30 (3.70-9.60)	2.860 (0.870-3.580)	12.56	99
15+20+50+50	1.02	1.36	3.41	3.41	-	9.20 (3.70-9.60)	2.863 (0.870-3.575)	12.57	99
15+20+50+60	0.96	1.28	3.21	3.85	-	9.30 (3.70-9.60)	2.870 (0.870-3.580)	12.60	99
15+20+50+71	0.89	1.19	2.98	4.23	-	9.30 (3.70-9.60)	2.850 (0.870-3.570)	12.52	99
15+20+60+60	0.90	1.20	3.60	3.60	-	9.30 (3.70-9.60)	2.840 (0.870-3.570)	12.47	99
15+20+60+71	0.84	1.12	3.36	3.98	-	9.30 (3.70-9.60)	2.820 (0.870-3.560)	12.38	99
15+22+22+22	1.50	2.20	2.20	2.20	-	8.10 (3.70-9.00)	2.557 (0.840-3.195)	11.23	99
15+22+22+25	1.50	2.20	2.20	2.50	-	8.40 (3.70-9.00)	2.659 (0.840-3.195)	11.68	99
15+22+22+35	1.39	2.04	2.04	3.24	-	8.70 (3.70-9.40)	2.800 (0.840-3.320)	12.30	99
15+22+22+42	1.28	1.87	1.87	3.58	-	8.60 (3.70-9.70)	2.788 (0.840-3.435)	12.24	99
15+22+22+50	1.21	1.78	1.78	4.04	-	8.80 (3.70-9.70)	2.838 (0.840-3.445)	12.46	99
15+22+22+60	1.13	1.66	1.66	4.54	-	9.00 (3.70-9.70)	2.883 (0.840-3.465)	12.66	99

# MXZ-5D102VA COOLING

Indoor units combination	Cooling capacity (kW)					Outdoor unit power consumption(kW)	Current (A)	Power factor(%)	
	Unit A	Unit B	Unit C	Unit D	Unit E				Total
15+22+22+71	1.06	1.56	1.56	5.02	-	9.20 (3.70-9.80)	2.945 (0.840-3.490)	12.93	99
15+22+25+25	1.50	2.20	2.50	2.50	-	8.70 (3.70-9.00)	2.765 (0.840-3.195)	12.14	99
15+22+25+35	1.35	1.97	2.24	3.14	-	8.70 (3.70-9.50)	2.800 (0.840-3.380)	12.30	99
15+22+25+42	1.25	1.84	2.09	3.51	-	8.70 (3.70-9.70)	2.810 (0.840-3.440)	12.34	99
15+22+25+50	1.18	1.73	1.96	3.93	-	8.80 (3.70-9.70)	2.860 (0.840-3.455)	12.56	99
15+22+25+60	1.11	1.62	1.84	4.43	-	9.00 (3.70-9.80)	2.905 (0.840-3.475)	12.76	99
15+22+25+71	1.05	1.54	1.75	4.96	-	9.30 (3.70-9.80)	2.968 (0.840-3.500)	13.03	99
15+22+35+35	1.22	1.79	2.85	2.85	-	8.70 (3.70-9.70)	2.853 (0.840-3.460)	12.53	99
15+22+35+42	1.17	1.72	2.73	3.28	-	8.90 (3.70-9.70)	2.885 (0.840-3.470)	12.67	99
15+22+35+50	1.11	1.62	2.58	3.69	-	9.00 (3.70-9.80)	2.935 (0.840-3.485)	12.89	99
15+22+35+60	1.05	1.53	2.44	4.18	-	9.20 (3.70-9.80)	2.980 (0.840-3.505)	13.09	99
15+22+35+71	0.99	1.45	2.30	4.67	-	9.40 (3.70-9.80)	3.020 (0.840-3.520)	13.26	99
15+22+42+42	1.12	1.64	3.12	3.12	-	9.00 (3.70-9.80)	2.918 (0.840-3.485)	12.82	99
15+22+42+50	1.07	1.57	3.00	3.57	-	9.20 (3.70-9.80)	2.968 (0.840-3.495)	13.03	99
15+22+42+60	1.01	1.49	2.84	4.06	-	9.40 (3.70-9.80)	3.013 (0.840-3.515)	13.23	99
15+22+42+71	0.94	1.38	2.63	4.45	-	9.40 (3.70-9.80)	3.000 (0.840-3.510)	13.18	99
15+22+50+50	1.02	1.49	3.39	3.39	-	9.30 (3.70-9.80)	3.018 (0.840-3.510)	13.25	99
15+22+50+60	0.96	1.41	3.20	3.84	-	9.40 (3.70-9.80)	3.010 (0.840-3.510)	13.22	99
15+22+50+71	0.89	1.31	2.97	4.22	-	9.40 (3.70-9.80)	2.990 (0.840-3.500)	13.13	99
15+22+60+60	0.90	1.32	3.59	3.59	-	9.40 (3.70-9.80)	2.980 (0.840-3.500)	13.09	99
15+22+60+71	0.84	1.23	3.36	3.97	-	9.40 (3.70-9.80)	2.960 (0.840-3.490)	13.00	99
15+25+25+25	1.47	2.44	2.44	2.44	-	8.80 (3.70-9.10)	2.800 (0.840-3.235)	12.30	99
15+25+25+35	1.29	2.15	2.15	3.01	-	8.60 (3.70-9.70)	2.800 (0.842-3.440)	12.30	99
15+25+25+42	1.22	2.03	2.03	3.41	-	8.70 (3.70-9.70)	2.833 (0.840-3.450)	12.44	99
15+25+25+50	1.16	1.93	1.93	3.87	-	8.90 (3.70-9.70)	2.883 (0.840-3.465)	12.66	99
15+25+25+60	1.09	1.82	1.82	4.37	-	9.10 (3.70-9.80)	2.928 (0.840-3.485)	12.86	99
15+25+25+71	1.03	1.71	1.71	4.86	-	9.30 (3.70-9.80)	2.990 (0.840-3.510)	13.13	99
15+25+35+35	1.20	2.00	2.80	2.80	-	8.80 (3.70-9.70)	2.875 (0.840-3.470)	12.63	99
15+25+35+42	1.14	1.90	2.66	3.19	-	8.90 (3.70-9.70)	2.908 (0.840-3.480)	12.77	99
15+25+35+50	1.09	1.82	2.55	3.64	-	9.10 (3.70-9.80)	2.958 (0.840-3.495)	12.99	99
15+25+35+60	1.03	1.72	2.41	4.13	-	9.30 (3.70-9.80)	3.003 (0.840-3.515)	13.19	99
15+25+35+71	0.97	1.61	2.25	4.57	-	9.40 (3.70-9.80)	3.020 (0.840-3.520)	13.26	99
15+25+42+42	1.10	1.83	3.08	3.08	-	9.10 (3.70-9.80)	2.940 (0.840-3.490)	12.91	99
15+25+42+50	1.05	1.74	2.93	3.48	-	9.20 (3.70-9.80)	2.990 (0.840-3.505)	13.13	99
15+25+42+60	0.99	1.65	2.78	3.97	-	9.40 (3.70-9.80)	3.020 (0.840-3.520)	13.26	99
15+25+42+71	0.92	1.54	2.58	4.36	-	9.40 (3.70-9.80)	3.000 (0.840-3.510)	13.18	99
15+25+50+50	1.01	1.68	3.36	3.36	-	9.40 (3.70-9.80)	3.040 (0.840-3.520)	13.35	99
15+25+50+60	0.94	1.57	3.13	3.76	-	9.40 (3.70-9.80)	3.010 (0.840-3.510)	13.22	99
15+25+50+71	0.88	1.46	2.92	4.15	-	9.40 (3.70-9.80)	2.990 (0.840-3.500)	13.13	99
15+25+60+60	0.88	1.47	3.53	3.53	-	9.40 (3.70-9.80)	2.980 (0.840-3.500)	13.09	99
15+25+60+71	0.82	1.37	3.30	3.90	-	9.40 (3.70-9.80)	2.960 (0.840-3.490)	13.00	99

# MXZ-5D102VA COOLING

Indoor units combination	Cooling capacity (kW)						Outdoor unit power consumption(kW)	Current (A)	Power factor(%)
	Unit A	Unit B	Unit C	Unit D	Unit E	Total			
15+35+35+35	1.13	2.63	2.63	2.63	-	9.00 (3.70-9.80)	2.950 (0.840-3.500)	12.96	99
15+35+35+42	1.07	2.51	2.51	3.01	-	9.10 (3.70-9.80)	2.983 (0.840-3.510)	13.10	99
15+35+35+50	1.03	2.41	2.41	3.44	-	9.30 (3.70-9.80)	3.033 (0.840-3.525)	13.32	99
15+35+35+60	0.97	2.27	2.27	3.89	-	9.40 (3.70-9.80)	3.040 (0.840-3.530)	13.35	99
15+35+35+71	0.90	2.11	2.11	4.28	-	9.40 (3.70-9.80)	3.020 (0.840-3.520)	13.26	99
15+35+42+42	1.04	2.43	2.91	2.91	-	9.30 (3.70-9.80)	3.015 (0.840-3.520)	13.24	99
15+35+42+50	0.99	2.32	2.78	3.31	-	9.40 (3.70-9.80)	3.050 (0.840-3.530)	13.39	99
15+35+42+60	0.93	2.16	2.60	3.71	-	9.40 (3.70-9.80)	3.020 (0.840-3.520)	13.26	99
15+35+42+71	0.87	2.02	2.42	4.09	-	9.40 (3.70-9.80)	3.000 (0.840-3.510)	13.18	99
15+35+50+50	0.94	2.19	3.13	3.13	-	9.40 (3.70-9.80)	3.040 (0.840-3.520)	13.35	99
15+35+50+60	0.88	2.06	2.94	3.53	-	9.40 (3.70-9.80)	3.010 (0.840-3.510)	13.22	99
15+35+50+71	0.82	1.92	2.75	3.90	-	9.40 (3.70-9.80)	2.990 (0.840-3.500)	13.13	99
15+35+60+60	0.83	1.94	3.32	3.32	-	9.40 (3.70-9.80)	2.980 (0.840-3.500)	13.09	99
15+42+42+42	1.00	2.80	2.80	2.80	-	9.40 (3.70-9.80)	3.040 (0.840-3.530)	13.35	99
15+42+42+50	0.95	2.65	2.65	3.15	-	9.40 (3.70-9.80)	3.030 (0.840-3.520)	13.31	99
15+42+42+60	0.89	2.48	2.48	3.55	-	9.40 (3.70-9.80)	3.000 (0.840-3.510)	13.18	99
15+42+42+71	0.83	2.32	2.32	3.93	-	9.40 (3.70-9.80)	2.980 (0.840-3.500)	13.09	99
15+42+50+50	0.90	2.51	2.99	2.99	-	9.40 (3.70-9.80)	3.020 (0.840-3.510)	13.26	99
15+42+50+60	0.84	2.36	2.81	3.38	-	9.40 (3.70-9.80)	2.990 (0.840-3.500)	13.13	99
15+50+50+50	0.85	2.85	2.85	2.85	-	9.40 (3.70-9.80)	3.010 (0.840-3.500)	13.22	99
18+18+18+18	1.80	1.80	1.80	1.80	-	7.20 (3.70-9.20)	2.406 (0.810-3.195)	10.57	99
18+18+18+20	1.78	1.78	1.78	1.97	-	7.30 (3.70-9.00)	2.333 (0.840-3.265)	10.25	99
18+18+18+22	1.80	1.80	1.80	2.20	-	7.60 (3.70-9.20)	2.540 (0.810-3.195)	11.16	99
18+18+18+25	1.80	1.80	1.80	2.50	-	7.90 (3.70-9.20)	2.641 (0.810-3.195)	11.60	99
18+18+18+35	1.78	1.78	1.78	3.46	-	8.80 (3.70-9.30)	2.950 (0.810-3.215)	12.96	99
18+18+18+42	1.63	1.63	1.63	3.81	-	8.70 (3.70-9.70)	2.930 (0.810-3.350)	12.87	99
18+18+18+50	1.51	1.51	1.51	4.18	-	8.70 (3.70-9.90)	2.950 (0.810-3.430)	12.96	99
18+18+18+60	1.41	1.41	1.41	4.68	-	8.90 (3.70-9.90)	2.995 (0.810-3.450)	13.15	99
18+18+18+71	1.31	1.31	1.31	5.17	-	9.10 (3.70-10.00)	3.058 (0.810-3.475)	13.43	99
18+18+20+20	1.75	1.75	1.95	1.95	-	7.40 (3.70-8.80)	2.260 (0.870-3.335)	9.93	99
18+18+20+22	1.78	1.78	1.97	2.17	-	7.70 (3.70-9.00)	2.467 (0.840-3.265)	10.83	99
18+18+20+25	1.78	1.78	1.98	2.47	-	8.00 (3.70-9.00)	2.567 (0.840-3.265)	11.27	99
18+18+20+35	1.72	1.72	1.91	3.35	-	8.70 (3.70-9.20)	2.810 (0.840-3.325)	12.34	99
18+18+20+42	1.56	1.56	1.73	3.64	-	8.50 (3.70-9.60)	2.790 (0.840-3.460)	12.25	99
18+18+20+50	1.46	1.46	1.62	4.06	-	8.60 (3.70-9.70)	2.825 (0.840-3.510)	12.41	99
18+18+20+60	1.37	1.37	1.52	4.55	-	8.80 (3.70-9.70)	2.870 (0.840-3.530)	12.60	99
18+18+20+71	1.28	1.28	1.42	5.03	-	9.00 (3.70-9.80)	2.933 (0.840-3.550)	12.88	99
18+18+22+22	1.80	1.80	2.20	2.20	-	8.00 (3.70-9.20)	2.674 (0.810-3.195)	11.74	99
18+18+22+25	1.80	1.80	2.20	2.50	-	8.30 (3.70-9.20)	2.774 (0.810-3.195)	12.18	99
18+18+22+35	1.68	1.68	2.06	3.27	-	8.70 (3.70-9.50)	2.950 (0.810-3.295)	12.96	99
18+18+22+42	1.55	1.55	1.89	3.61	-	8.60 (3.70-9.90)	2.930 (0.812-3.430)	12.87	99



# MXZ-5D102VA COOLING

Indoor units combination	Cooling capacity (kW)					Outdoor unit power consumption(kW)	Current (A)	Power factor(%)	
	Unit A	Unit B	Unit C	Unit D	Unit E				Total
18+18+22+50	1.47	1.47	1.79	4.07	-	8.80 (3.70-9.90)	2.980 (0.810-3.445)	13.09	99
18+18+22+60	1.37	1.37	1.68	4.58	-	9.00 (3.70-9.90)	3.025 (0.810-3.465)	13.29	99
18+18+22+71	1.28	1.28	1.57	5.06	-	9.20 (3.70-10.00)	3.088 (0.810-3.485)	13.56	99
18+18+25+25	1.80	1.80	2.50	2.50	-	8.60 (3.70-9.20)	2.880 (0.810-3.195)	12.65	99
18+18+25+35	1.63	1.63	2.27	3.17	-	8.70 (3.70-9.70)	2.950 (0.810-3.360)	12.96	99
18+18+25+42	1.52	1.52	2.11	3.55	-	8.70 (3.70-9.90)	2.953 (0.810-3.440)	12.97	99
18+18+25+50	1.43	1.43	1.98	3.96	-	8.80 (3.70-9.90)	3.003 (0.810-3.455)	13.19	99
18+18+25+60	1.34	1.34	1.86	4.46	-	9.00 (3.70-10.00)	3.048 (0.810-3.475)	13.39	99
18+18+25+71	1.25	1.25	1.74	4.95	-	9.20 (3.70-10.00)	3.110 (0.810-3.495)	13.66	99
18+18+35+35	1.48	1.48	2.87	2.87	-	8.70 (3.70-9.90)	2.995 (0.810-3.460)	13.15	99
18+18+35+42	1.42	1.42	2.76	3.31	-	8.90 (3.70-9.90)	3.028 (0.810-3.470)	13.30	99
18+18+35+50	1.34	1.34	2.60	3.72	-	9.00 (3.70-10.00)	3.078 (0.810-3.485)	13.52	99
18+18+35+60	1.26	1.26	2.46	4.21	-	9.20 (3.70-10.00)	3.123 (0.810-3.505)	13.72	99
18+18+35+71	1.19	1.19	2.32	4.70	-	9.40 (3.70-10.00)	3.170 (0.810-3.520)	13.92	99
18+18+42+42	1.35	1.35	3.15	3.15	-	9.00 (3.70-10.00)	3.060 (0.810-3.480)	13.44	99
18+18+42+50	1.29	1.29	3.02	3.59	-	9.20 (3.70-10.00)	3.110 (0.810-3.495)	13.66	99
18+18+42+60	1.23	1.23	2.86	4.09	-	9.40 (3.70-10.00)	3.155 (0.810-3.515)	13.86	99
18+18+42+71	1.14	1.14	2.65	4.48	-	9.40 (3.70-10.00)	3.150 (0.810-3.510)	13.83	99
18+18+50+50	1.23	1.23	3.42	3.42	-	9.30 (3.70-10.00)	3.160 (0.810-3.510)	13.88	99
18+18+50+60	1.16	1.16	3.22	3.86	-	9.40 (3.70-10.00)	3.160 (0.810-3.510)	13.88	99
18+18+50+71	1.08	1.08	2.99	4.25	-	9.40 (3.70-10.00)	3.140 (0.810-3.500)	13.79	99
18+18+60+60	1.08	1.08	3.62	3.62	-	9.40 (3.70-10.00)	3.130 (0.810-3.500)	13.75	99
18+18+60+71	1.01	1.01	3.38	4.00	-	9.40 (3.70-10.00)	3.110 (0.810-3.490)	13.66	99
18+20+20+20	1.73	1.92	1.92	1.92	-	7.50 (3.70-8.60)	2.187 (0.900-3.405)	9.60	99
18+20+20+22	1.76	1.95	1.95	2.15	-	7.80 (3.70-8.80)	2.394 (0.870-3.335)	10.51	99
18+20+20+25	1.76	1.95	1.95	2.44	-	8.10 (3.70-8.80)	2.494 (0.870-3.335)	10.95	99
18+20+20+35	1.65	1.83	1.83	3.20	-	8.50 (3.70-9.10)	2.670 (0.870-3.435)	11.73	99
18+20+20+42	1.51	1.68	1.68	3.53	-	8.40 (3.70-9.50)	2.650 (0.872-3.570)	11.64	99
18+20+20+50	1.43	1.59	1.59	3.98	-	8.60 (3.70-9.50)	2.700 (0.870-3.585)	11.86	99
18+20+20+60	1.34	1.49	1.49	4.47	-	8.80 (3.70-9.50)	2.745 (0.870-3.605)	12.06	99
18+20+20+71	1.26	1.40	1.40	4.95	-	9.00 (3.70-9.60)	2.808 (0.870-3.625)	12.33	99
18+20+22+22	1.78	1.98	2.17	2.17	-	8.10 (3.70-9.00)	2.601 (0.840-3.265)	11.42	99
18+20+22+25	1.78	1.98	2.17	2.47	-	8.40 (3.70-9.00)	2.704 (0.840-3.265)	11.88	99
18+20+22+35	1.63	1.81	1.99	3.17	-	8.60 (3.70-9.40)	2.810 (0.840-3.410)	12.34	99
18+20+22+50	1.42	1.58	1.74	3.95	-	8.70 (3.70-9.70)	2.855 (0.840-3.520)	12.54	99
18+20+22+60	1.34	1.48	1.63	4.45	-	8.90 (3.70-9.80)	2.900 (0.840-3.540)	12.74	99
18+20+22+71	1.25	1.39	1.53	4.93	-	9.10 (3.70-9.80)	2.963 (0.840-3.565)	13.01	99
18+20+25+25	1.78	1.98	2.47	2.47	-	8.70 (3.70-9.00)	2.810 (0.840-3.265)	12.34	99
18+20+25+35	1.56	1.73	2.17	3.04	-	8.50 (3.70-9.60)	2.810 (0.840-3.470)	12.34	99
18+20+25+42	1.47	1.64	2.05	3.44	-	8.60 (3.70-9.70)	2.828 (0.840-3.515)	12.42	99
18+20+25+50	1.40	1.56	1.95	3.89	-	8.80 (3.70-9.70)	2.878 (0.840-3.530)	12.64	99

# MXZ-5D102VA COOLING

Indoor units combination	Cooling capacity (kW)						Outdoor unit power consumption(kW)	Current (A)	Power factor(%)
	Unit A	Unit B	Unit C	Unit D	Unit E	Total			
18+20+25+60	1.32	1.46	1.83	4.39	-	9.00 (3.70-9.80)	2.923 (0.840-3.550)	12.84	99
18+20+25+71	1.24	1.37	1.72	4.87	-	9.20 (3.70-9.80)	2.985 (0.840-3.570)	13.11	99
18+20+35+35	1.45	1.61	2.82	2.82	-	8.70 (3.70-9.70)	2.870 (0.840-3.535)	12.60	99
18+20+35+42	1.38	1.53	2.68	3.21	-	8.80 (3.70-9.70)	2.903 (0.840-3.545)	12.75	99
18+20+35+50	1.32	1.46	2.56	3.66	-	9.00 (3.70-9.80)	2.953 (0.840-3.560)	12.97	99
18+20+35+60	1.25	1.38	2.42	4.15	-	9.20 (3.70-9.80)	2.998 (0.840-3.580)	13.17	99
18+20+35+71	1.16	1.29	2.26	4.59	-	9.30 (3.70-9.80)	3.030 (0.840-3.590)	13.31	99
18+20+42+42	1.31	1.46	3.06	3.06	-	8.90 (3.70-9.80)	2.935 (0.840-3.555)	12.89	99
18+20+42+50	1.26	1.40	2.94	3.50	-	9.10 (3.70-9.80)	2.985 (0.840-3.570)	13.11	99
18+20+42+60	1.20	1.33	2.79	3.99	-	9.30 (3.70-9.80)	3.030 (0.840-3.590)	13.31	99
18+20+42+71	1.11	1.23	2.59	4.37	-	9.30 (3.70-9.80)	3.010 (0.840-3.580)	13.22	99
18+20+50+50	1.21	1.35	3.37	3.37	-	9.30 (3.70-9.80)	3.035 (0.840-3.585)	13.33	99
18+20+50+60	1.13	1.26	3.14	3.77	-	9.30 (3.70-9.80)	3.020 (0.840-3.580)	13.26	99
18+20+50+71	1.05	1.17	2.92	4.15	-	9.30 (3.70-9.80)	3.000 (0.840-3.570)	13.18	99
18+20+60+60	1.06	1.18	3.53	3.53	-	9.30 (3.70-9.80)	2.990 (0.840-3.570)	13.13	99
18+20+60+71	0.99	1.10	3.30	3.91	-	9.30 (3.70-9.80)	2.970 (0.840-3.560)	13.04	99
18+22+22+22	1.80	2.20	2.20	2.20	-	8.40 (3.70-9.20)	2.809 (0.810-3.195)	12.34	99
18+22+22+25	1.80	2.20	2.20	2.50	-	8.70 (3.70-9.20)	2.915 (0.810-3.195)	12.80	99
18+22+22+35	1.61	1.97	1.97	3.14	-	8.70 (3.70-9.70)	2.950 (0.810-3.380)	12.96	99
18+22+22+42	1.51	1.84	1.84	3.51	-	8.70 (3.70-9.90)	2.960 (0.810-3.440)	13.00	99
18+22+22+50	1.41	1.73	1.73	3.93	-	8.80 (3.70-9.90)	3.010 (0.810-3.455)	13.22	99
18+22+22+60	1.33	1.62	1.62	4.43	-	9.00 (3.70-10.00)	3.055 (0.810-3.475)	13.42	99
18+22+22+71	1.26	1.54	1.54	4.96	-	9.30 (3.70-10.00)	3.118 (0.810-3.500)	13.69	99
18+22+25+25	1.76	2.15	2.44	2.44	-	8.80 (3.70-9.30)	2.950 (0.810-3.235)	12.96	99
18+22+25+35	1.55	1.89	2.15	3.01	-	8.60 (3.70-9.90)	2.950 (0.812-3.440)	12.96	99
18+22+25+42	1.46	1.79	2.03	3.41	-	8.70 (3.70-9.90)	2.983 (0.810-3.450)	13.10	99
18+22+25+50	1.39	1.70	1.93	3.87	-	8.90 (3.70-9.90)	3.033 (0.810-3.465)	13.32	99
18+22+25+60	1.31	1.60	1.82	4.37	-	9.10 (3.70-10.00)	3.078 (0.810-3.485)	13.52	99
18+22+25+71	1.23	1.50	1.71	4.86	-	9.30 (3.70-10.00)	3.140 (0.810-3.510)	13.79	99
18+22+35+35	1.44	1.76	2.80	2.80	-	8.80 (3.70-9.90)	3.025 (0.810-3.470)	13.29	99
18+22+35+42	1.37	1.67	2.66	3.19	-	8.90 (3.70-9.90)	3.058 (0.810-3.480)	13.43	99
18+22+35+50	1.31	1.60	2.55	3.64	-	9.10 (3.70-10.00)	3.108 (0.810-3.495)	13.65	99
18+22+35+60	1.24	1.52	2.41	4.13	-	9.30 (3.70-10.00)	3.153 (0.810-3.515)	13.85	99
18+22+35+71	1.16	1.42	2.25	4.57	-	9.40 (3.70-10.00)	3.170 (0.810-3.520)	13.92	99
18+22+42+42	1.32	1.61	3.08	3.08	-	9.10 (3.70-10.00)	3.090 (0.810-3.490)	13.57	99
18+22+42+50	1.25	1.53	2.93	3.48	-	9.20 (3.70-10.00)	3.140 (0.810-3.505)	13.79	99
18+22+42+60	1.19	1.46	2.78	3.97	-	9.40 (3.70-10.00)	3.170 (0.810-3.520)	13.92	99
18+22+42+71	1.11	1.35	2.58	4.36	-	9.40 (3.70-10.00)	3.150 (0.810-3.510)	13.83	99
18+22+50+50	1.21	1.48	3.36	3.36	-	9.40 (3.70-10.00)	3.190 (0.810-3.520)	14.01	99
18+22+50+60	1.13	1.38	3.13	3.76	-	9.40 (3.70-10.00)	3.160 (0.810-3.510)	13.88	99
18+22+50+71	1.05	1.28	2.92	4.15	-	9.40 (3.70-10.00)	3.140 (0.810-3.500)	13.79	99

# MXZ-5D102VA COOLING

Indoor units combination	Cooling capacity (kW)						Outdoor unit power consumption(kW)	Current (A)	Power factor(%)
	Unit A	Unit B	Unit C	Unit D	Unit E	Total			
18+22+60+60	1.06	1.29	3.53	3.53	-	9.40 (3.70-10.00)	3.130 (0.810-3.500)	13.75	99
18+22+60+71	0.99	1.21	3.30	3.90	-	9.40 (3.70-10.00)	3.110 (0.810-3.490)	13.66	99
18+25+25+25	1.68	2.34	2.34	2.34	-	8.70 (3.70-9.50)	2.950 (0.810-3.295)	12.96	99
18+25+25+35	1.52	2.11	2.11	2.96	-	8.70 (3.70-9.90)	2.973 (0.810-3.450)	13.06	99
18+25+25+42	1.44	2.00	2.00	3.36	-	8.80 (3.70-9.90)	3.005 (0.810-3.460)	13.20	99
18+25+25+50	1.37	1.91	1.91	3.81	-	9.00 (3.70-9.90)	3.055 (0.810-3.475)	13.42	99
18+25+25+60	1.29	1.80	1.80	4.31	-	9.20 (3.70-10.00)	3.100 (0.810-3.495)	13.61	99
18+25+25+71	1.22	1.69	1.69	4.80	-	9.40 (3.70-10.00)	3.163 (0.810-3.515)	13.89	99
18+25+35+35	1.42	1.97	2.76	2.76	-	8.90 (3.70-9.90)	3.048 (0.810-3.480)	13.39	99
18+25+35+42	1.35	1.88	2.63	3.15	-	9.00 (3.70-10.00)	3.080 (0.810-3.490)	13.53	99
18+25+35+50	1.29	1.80	2.52	3.59	-	9.20 (3.70-10.00)	3.130 (0.810-3.505)	13.75	99
18+25+35+60	1.23	1.70	2.38	4.09	-	9.40 (3.70-10.00)	3.175 (0.810-3.525)	13.94	99
18+25+35+71	1.14	1.58	2.21	4.48	-	9.40 (3.70-10.00)	3.170 (0.810-3.520)	13.92	99
18+25+42+42	1.29	1.79	3.01	3.01	-	9.10 (3.70-10.00)	3.113 (0.810-3.500)	13.67	99
18+25+42+50	1.24	1.72	2.89	3.44	-	9.30 (3.70-10.00)	3.163 (0.810-3.515)	13.89	99
18+25+42+60	1.17	1.62	2.72	3.89	-	9.40 (3.70-10.00)	3.170 (0.810-3.520)	13.92	99
18+25+42+71	1.08	1.51	2.53	4.28	-	9.40 (3.70-10.00)	3.150 (0.810-3.510)	13.83	99
18+25+50+50	1.18	1.64	3.29	3.29	-	9.40 (3.70-10.00)	3.190 (0.810-3.520)	14.01	99
18+25+50+60	1.11	1.54	3.07	3.69	-	9.40 (3.70-10.00)	3.160 (0.810-3.510)	13.88	99
18+25+50+71	1.03	1.43	2.87	4.07	-	9.40 (3.70-10.00)	3.140 (0.810-3.500)	13.79	99
18+25+60+60	1.04	1.44	3.46	3.46	-	9.40 (3.70-10.00)	3.130 (0.810-3.500)	13.75	99
18+35+35+35	1.33	2.59	2.59	2.59	-	9.10 (3.70-10.00)	3.123 (0.810-3.510)	13.72	99
18+35+35+42	1.27	2.48	2.48	2.97	-	9.20 (3.70-10.00)	3.155 (0.810-3.520)	13.86	99
18+35+35+50	1.23	2.38	2.38	3.41	-	9.40 (3.70-10.00)	3.205 (0.810-3.535)	14.08	99
18+35+35+60	1.14	2.22	2.22	3.81	-	9.40 (3.70-10.00)	3.190 (0.810-3.530)	14.01	99
18+35+35+71	1.06	2.07	2.07	4.20	-	9.40 (3.70-10.00)	3.170 (0.810-3.520)	13.92	99
18+35+42+42	1.22	2.38	2.85	2.85	-	9.30 (3.70-10.00)	3.188 (0.810-3.530)	14.00	99
18+35+42+50	1.17	2.27	2.72	3.24	-	9.40 (3.70-10.00)	3.200 (0.810-3.530)	14.05	99
18+35+42+60	1.09	2.12	2.55	3.64	-	9.40 (3.70-10.00)	3.170 (0.810-3.520)	13.92	99
18+35+42+71	1.02	1.98	2.38	4.02	-	9.40 (3.70-10.00)	3.150 (0.810-3.510)	13.83	99
18+35+50+50	1.11	2.15	3.07	3.07	-	9.40 (3.70-10.00)	3.190 (0.810-3.520)	14.01	99
18+35+50+60	1.04	2.02	2.88	3.46	-	9.40 (3.70-10.00)	3.160 (0.810-3.510)	13.88	99
18+42+42+42	1.18	2.74	2.74	2.74	-	9.40 (3.70-10.00)	3.190 (0.810-3.530)	14.01	99
18+42+42+50	1.11	2.60	2.60	3.09	-	9.40 (3.70-10.00)	3.180 (0.810-3.520)	13.97	99
18+42+42+60	1.04	2.44	2.44	3.48	-	9.40 (3.70-10.00)	3.150 (0.810-3.510)	13.83	99
18+42+50+50	1.06	2.47	2.94	2.94	-	9.40 (3.70-10.00)	3.170 (0.810-3.510)	13.92	99
18+42+50+60	1.00	2.32	2.76	3.32	-	9.40 (3.70-10.00)	3.140 (0.810-3.500)	13.79	99
18+50+50+50	1.01	2.80	2.80	2.80	-	9.40 (3.70-10.00)	3.160 (0.810-3.500)	13.88	99
20+20+20+20	1.90	1.90	1.90	1.90	-	7.60 (3.70-8.40)	2.674 (0.810-3.195)	11.74	99
20+20+20+22	1.93	1.93	1.93	2.12	-	7.90 (3.70-8.60)	2.321 (0.900-3.405)	10.19	99
20+20+20+25	1.93	1.93	1.93	2.41	-	8.20 (3.70-8.60)	2.424 (0.900-3.405)	10.65	99

# MXZ-5D102VA COOLING

Indoor units combination	Cooling capacity (kW)						Outdoor unit power consumption(kW)	Current (A)	Power factor(%)
	Unit A	Unit B	Unit C	Unit D	Unit E	Total			
20+20+20+35	1.77	1.77	1.77	3.09	-	8.40 (3.70-9.00)	2.530 (0.900-3.550)	11.11	99
20+20+20+50	1.55	1.55	1.55	3.86	-	8.50 (3.70-9.30)	2.575 (0.900-3.660)	11.31	99
20+20+20+60	1.45	1.45	1.45	4.35	-	8.70 (3.70-9.40)	2.620 (0.900-3.680)	11.51	99
20+20+20+71	1.36	1.36	1.36	4.82	-	8.90 (3.70-9.40)	2.683 (0.900-3.705)	11.78	99
20+20+22+22	1.95	1.95	2.15	2.15	-	8.20 (3.70-8.80)	2.529 (0.870-3.335)	11.11	99
20+20+22+25	1.95	1.95	2.15	2.44	-	8.50 (3.70-8.80)	2.635 (0.870-3.335)	11.57	99
20+20+22+35	1.75	1.75	1.93	3.07	-	8.50 (3.70-9.30)	2.670 (0.870-3.520)	11.73	99
20+20+22+42	1.63	1.63	1.80	3.43	-	8.50 (3.70-9.50)	2.680 (0.870-3.580)	11.77	99
20+20+22+50	1.54	1.54	1.69	3.84	-	8.60 (3.70-9.50)	2.730 (0.870-3.595)	11.99	99
20+20+22+60	1.44	1.44	1.59	4.33	-	8.80 (3.70-9.60)	2.775 (0.870-3.615)	12.19	99
20+20+22+71	1.37	1.37	1.51	4.86	-	9.10 (3.70-9.60)	2.838 (0.870-3.640)	12.46	99
20+20+25+25	1.91	1.91	2.39	2.39	-	8.60 (3.70-8.90)	2.670 (0.870-3.375)	11.73	99
20+20+25+35	1.68	1.68	2.10	2.94	-	8.40 (3.70-9.50)	2.670 (0.872-3.580)	11.73	99
20+20+25+42	1.59	1.59	1.99	3.34	-	8.50 (3.70-9.50)	2.703 (0.870-3.590)	11.87	99
20+20+25+50	1.51	1.51	1.89	3.78	-	8.70 (3.70-9.50)	2.753 (0.870-3.605)	12.09	99
20+20+25+60	1.42	1.42	1.78	4.27	-	8.90 (3.70-9.60)	2.798 (0.870-3.625)	12.29	99
20+20+25+71	1.34	1.34	1.67	4.75	-	9.10 (3.70-9.60)	2.860 (0.870-3.650)	12.56	99
20+20+35+35	1.56	1.56	2.74	2.74	-	8.60 (3.70-9.50)	2.745 (0.870-3.610)	12.06	99
20+20+35+42	1.49	1.49	2.60	3.12	-	8.70 (3.70-9.50)	2.778 (0.870-3.620)	12.20	99
20+20+35+50	1.42	1.42	2.49	3.56	-	8.90 (3.70-9.60)	2.828 (0.870-3.635)	12.42	99
20+20+35+60	1.35	1.35	2.36	4.04	-	9.10 (3.70-9.60)	2.873 (0.870-3.655)	12.62	99
20+20+35+71	1.26	1.26	2.21	4.47	-	9.20 (3.70-9.60)	2.890 (0.870-3.660)	12.69	99
20+20+42+42	1.44	1.44	3.01	3.01	-	8.90 (3.70-9.60)	2.810 (0.870-3.630)	12.34	99
20+20+42+50	1.36	1.36	2.86	3.41	-	9.00 (3.70-9.60)	2.860 (0.870-3.645)	12.56	99
20+20+42+60	1.30	1.30	2.72	3.89	-	9.20 (3.70-9.60)	2.890 (0.870-3.660)	12.69	99
20+20+42+71	1.20	1.20	2.53	4.27	-	9.20 (3.70-9.60)	2.870 (0.870-3.650)	12.60	99
20+20+50+50	1.31	1.31	3.29	3.29	-	9.20 (3.70-9.60)	2.910 (0.870-3.660)	12.78	99
20+20+50+60	1.23	1.23	3.07	3.68	-	9.20 (3.70-9.60)	2.880 (0.870-3.650)	12.65	99
20+20+50+71	1.14	1.14	2.86	4.06	-	9.20 (3.70-9.60)	2.860 (0.870-3.640)	12.56	99
20+20+60+60	1.15	1.15	3.45	3.45	-	9.20 (3.70-9.60)	2.850 (0.870-3.640)	12.52	99
20+20+60+71	1.08	1.08	3.23	3.82	-	9.20 (3.70-9.60)	2.830 (0.870-3.630)	12.43	99
20+22+22+22	1.98	2.17	2.17	2.17	-	8.50 (3.70-9.00)	2.740 (0.840-3.265)	12.03	99
20+22+22+25	1.96	2.15	2.15	2.44	-	8.70 (3.70-9.10)	2.810 (0.840-3.285)	12.34	99
20+22+22+35	1.72	1.89	1.89	3.01	-	8.50 (3.70-9.60)	2.810 (0.840-3.490)	12.34	99
20+22+22+42	1.62	1.78	1.78	3.41	-	8.60 (3.70-9.70)	2.835 (0.840-3.520)	12.45	99
20+22+22+50	1.54	1.70	1.70	3.86	-	8.80 (3.70-9.70)	2.885 (0.840-3.530)	12.67	99
20+22+22+60	1.45	1.60	1.60	4.35	-	9.00 (3.70-9.80)	2.930 (0.840-3.550)	12.87	99
20+22+22+71	1.36	1.50	1.50	4.84	-	9.20 (3.70-9.80)	2.993 (0.840-3.575)	13.14	99
20+22+25+25	1.87	2.06	2.34	2.34	-	8.60 (3.70-9.20)	2.810 (0.840-3.345)	12.34	99
20+22+25+42	1.60	1.76	2.00	3.35	-	8.70 (3.70-9.70)	2.858 (0.840-3.525)	12.55	99
20+22+25+50	1.50	1.65	1.88	3.76	-	8.80 (3.70-9.70)	2.908 (0.840-3.540)	12.77	99

# MXZ-5D102VA COOLING

Indoor units combination	Cooling capacity (kW)						Outdoor unit power consumption(kW)	Current (A)	Power factor(%)
	Unit A	Unit B	Unit C	Unit D	Unit E	Total			
20+22+25+60	1.42	1.56	1.77	4.25	-	9.00 (3.70-9.80)	2.953 (0.840-3.560)	12.97	99
20+22+25+71	1.35	1.48	1.68	4.78	-	9.30 (3.70-9.80)	3.015 (0.840-3.585)	13.24	99
20+22+35+35	1.55	1.71	2.72	2.72	-	8.70 (3.70-9.70)	2.900 (0.840-3.545)	12.74	99
20+22+35+42	1.50	1.65	2.62	3.14	-	8.90 (3.70-9.70)	2.933 (0.840-3.555)	12.88	99
20+22+35+50	1.42	1.56	2.48	3.54	-	9.00 (3.70-9.80)	2.983 (0.840-3.570)	13.10	99
20+22+35+60	1.34	1.48	2.35	4.03	-	9.20 (3.70-9.80)	3.028 (0.840-3.590)	13.30	99
20+22+35+71	1.26	1.38	2.20	4.46	-	9.30 (3.70-9.80)	3.030 (0.840-3.590)	13.31	99
20+22+42+42	1.43	1.57	3.00	3.00	-	9.00 (3.70-9.80)	2.965 (0.840-3.570)	13.02	99
20+22+42+50	1.37	1.51	2.88	3.43	-	9.20 (3.70-9.80)	3.015 (0.840-3.580)	13.24	99
20+22+42+60	1.29	1.42	2.71	3.88	-	9.30 (3.70-9.80)	3.030 (0.840-3.590)	13.31	99
20+22+42+71	1.20	1.32	2.52	4.26	-	9.30 (3.70-9.80)	3.010 (0.840-3.580)	13.22	99
20+22+50+50	1.31	1.44	3.27	3.27	-	9.30 (3.70-9.80)	3.050 (0.840-3.590)	13.39	99
20+22+50+60	1.22	1.35	3.06	3.67	-	9.30 (3.70-9.80)	3.020 (0.840-3.580)	13.26	99
20+22+50+71	1.14	1.26	2.85	4.05	-	9.30 (3.70-9.80)	3.000 (0.840-3.570)	13.18	99
20+22+60+60	1.15	1.26	3.44	3.44	-	9.30 (3.70-9.80)	2.990 (0.840-3.570)	13.13	99
20+25+25+25	1.81	2.26	2.26	2.26	-	8.60 (3.70-9.40)	2.810 (0.840-3.410)	12.34	99
20+25+25+35	1.64	2.05	2.05	2.87	-	8.60 (3.70-9.70)	2.848 (0.840-3.525)	12.51	99
20+25+25+42	1.55	1.94	1.94	3.26	-	8.70 (3.70-9.70)	2.880 (0.840-3.535)	12.65	99
20+25+25+50	1.48	1.85	1.85	3.71	-	8.90 (3.70-9.80)	2.930 (0.840-3.550)	12.87	99
20+25+25+60	1.40	1.75	1.75	4.20	-	9.10 (3.70-9.80)	2.975 (0.840-3.570)	13.07	99
20+25+25+71	1.32	1.65	1.65	4.68	-	9.30 (3.70-9.80)	3.030 (0.840-3.590)	13.31	99
20+25+35+35	1.53	1.91	2.68	2.68	-	8.80 (3.70-9.70)	2.923 (0.840-3.555)	12.84	99
20+25+35+42	1.46	1.82	2.55	3.06	-	8.90 (3.70-9.80)	2.955 (0.840-3.565)	12.98	99
20+25+35+50	1.40	1.75	2.45	3.50	-	9.10 (3.70-9.80)	3.005 (0.840-3.580)	13.20	99
20+25+35+60	1.33	1.66	2.33	3.99	-	9.30 (3.70-9.80)	3.050 (0.840-3.600)	13.39	99
20+25+35+71	1.23	1.54	2.16	4.37	-	9.30 (3.70-9.80)	3.030 (0.840-3.590)	13.31	99
20+25+42+42	1.41	1.76	2.96	2.96	-	9.10 (3.70-9.80)	2.988 (0.840-3.575)	13.12	99
20+25+42+50	1.34	1.68	2.82	3.36	-	9.20 (3.70-9.80)	3.038 (0.840-3.590)	13.34	99
20+25+42+60	1.27	1.58	2.66	3.80	-	9.30 (3.70-9.80)	3.030 (0.840-3.590)	13.31	99
20+25+42+71	1.18	1.47	2.47	4.18	-	9.30 (3.70-9.80)	3.010 (0.840-3.580)	13.22	99
20+25+50+50	1.28	1.60	3.21	3.21	-	9.30 (3.70-9.80)	3.050 (0.840-3.590)	13.39	99
20+25+50+60	1.20	1.50	3.00	3.60	-	9.30 (3.70-9.80)	3.020 (0.840-3.580)	13.26	99
20+25+50+71	1.12	1.40	2.80	3.98	-	9.30 (3.70-9.80)	3.000 (0.840-3.570)	13.18	99
20+25+60+60	1.13	1.41	3.38	3.38	-	9.30 (3.70-9.80)	2.990 (0.840-3.570)	13.13	99
20+35+35+35	1.44	2.52	2.52	2.52	-	9.00 (3.70-9.80)	2.998 (0.840-3.585)	13.17	99
20+35+35+42	1.38	2.41	2.41	2.90	-	9.10 (3.70-9.80)	3.030 (0.840-3.595)	13.31	99
20+35+35+50	1.33	2.33	2.33	3.32	-	9.30 (3.70-9.80)	3.080 (0.840-3.610)	13.53	99
20+35+35+60	1.24	2.17	2.17	3.72	-	9.30 (3.70-9.80)	3.050 (0.840-3.600)	13.39	99
20+35+35+71	1.16	2.02	2.02	4.10	-	9.30 (3.70-9.80)	3.030 (0.840-3.590)	13.31	99
20+35+42+42	1.34	2.34	2.81	2.81	-	9.30 (3.70-9.80)	3.063 (0.840-3.605)	13.45	99
20+35+42+50	1.27	2.21	2.66	3.16	-	9.30 (3.70-9.80)	3.060 (0.840-3.600)	13.44	99

# MXZ-5D102VA COOLING

Indoor units combination	Cooling capacity (kW)						Outdoor unit power consumption(kW)	Current (A)	Power factor(%)
	Unit A	Unit B	Unit C	Unit D	Unit E	Total			
20+35+42+60	1.18	2.07	2.49	3.55	-	9.30 (3.70-9.80)	3.030 (0.840-3.590)	13.31	99
20+35+42+71	1.11	1.94	2.33	3.93	-	9.30 (3.70-9.80)	3.010 (0.840-3.580)	13.22	99
20+35+50+50	1.20	2.10	3.00	3.00	-	9.30 (3.70-9.80)	3.050 (0.840-3.590)	13.39	99
20+35+50+60	1.13	1.97	2.82	3.38	-	9.30 (3.70-9.80)	3.020 (0.840-3.580)	13.26	99
20+42+42+42	1.27	2.68	2.68	2.68	-	9.30 (3.70-9.80)	3.050 (0.840-3.600)	13.39	99
20+42+42+50	1.21	2.54	2.54	3.02	-	9.30 (3.70-9.80)	3.040 (0.840-3.590)	13.35	99
20+42+42+60	1.13	2.38	2.38	3.40	-	9.30 (3.70-9.80)	3.010 (0.840-3.580)	13.22	99
20+42+50+50	1.15	2.41	2.87	2.87	-	9.30 (3.70-9.80)	3.030 (0.840-3.580)	13.31	99
20+42+50+60	1.08	2.27	2.70	3.24	-	9.30 (3.70-9.80)	3.000 (0.840-3.570)	13.18	99
20+50+50+50	1.09	2.74	2.74	2.74	-	9.30 (3.70-9.80)	3.020 (0.840-3.570)	13.26	99
22+22+22+22	2.20	2.20	2.20	2.20	-	8.80 (3.70-9.20)	2.950 (0.810-3.195)	12.96	99
22+22+22+25	2.13	2.13	2.13	2.42	-	8.80 (3.70-9.40)	2.950 (0.810-3.255)	12.96	99
22+22+22+35	1.87	1.87	1.87	2.98	-	8.60 (3.70-9.90)	2.958 (0.810-3.445)	12.99	99
22+22+22+42	1.79	1.79	1.79	3.42	-	8.80 (3.70-9.90)	2.990 (0.810-3.455)	13.13	99
22+22+22+50	1.69	1.69	1.69	3.84	-	8.90 (3.70-9.90)	3.040 (0.810-3.470)	13.35	99
22+22+22+60	1.59	1.59	1.59	4.33	-	9.10 (3.70-10.00)	3.085 (0.810-3.490)	13.55	99
22+22+22+71	1.49	1.49	1.49	4.82	-	9.30 (3.70-10.00)	3.148 (0.810-3.510)	13.83	99
22+22+25+25	2.04	2.04	2.31	2.31	-	8.70 (3.70-9.60)	2.950 (0.810-3.320)	12.96	99
22+22+25+35	1.84	1.84	2.09	2.93	-	8.70 (3.70-9.90)	2.980 (0.810-3.450)	13.09	99
22+22+25+42	1.74	1.74	1.98	3.33	-	8.80 (3.70-9.90)	3.013 (0.810-3.465)	13.23	99
22+22+25+50	1.66	1.66	1.89	3.78	-	9.00 (3.70-9.90)	3.063 (0.810-3.475)	13.45	99
22+22+25+60	1.57	1.57	1.78	4.28	-	9.20 (3.70-10.00)	3.108 (0.810-3.495)	13.65	99
22+22+25+71	1.48	1.48	1.68	4.77	-	9.40 (3.70-10.00)	3.170 (0.810-3.520)	13.92	99
22+22+35+35	1.72	1.72	2.73	2.73	-	8.90 (3.70-9.90)	3.055 (0.810-3.480)	13.42	99
22+22+35+42	1.64	1.64	2.60	3.12	-	9.00 (3.70-10.00)	3.088 (0.810-3.495)	13.56	99
22+22+35+50	1.57	1.57	2.50	3.57	-	9.20 (3.70-10.00)	3.138 (0.810-3.505)	13.78	99
22+22+35+60	1.49	1.49	2.37	4.06	-	9.40 (3.70-10.00)	3.183 (0.810-3.525)	13.98	99
22+22+35+71	1.38	1.38	2.19	4.45	-	9.40 (3.70-10.00)	3.170 (0.810-3.520)	13.92	99
22+22+42+42	1.58	1.58	3.02	3.02	-	9.20 (3.70-10.00)	3.120 (0.810-3.505)	13.70	99
22+22+42+50	1.50	1.50	2.87	3.42	-	9.30 (3.70-10.00)	3.170 (0.810-3.520)	13.92	99
22+22+42+60	1.42	1.42	2.70	3.86	-	9.40 (3.70-10.00)	3.170 (0.810-3.520)	13.92	99
22+22+42+71	1.32	1.32	2.51	4.25	-	9.40 (3.70-10.00)	3.150 (0.810-3.510)	13.83	99
22+22+50+50	1.44	1.44	3.26	3.26	-	9.40 (3.70-10.00)	3.190 (0.810-3.520)	14.01	99
22+22+50+60	1.34	1.34	3.05	3.66	-	9.40 (3.70-10.00)	3.160 (0.810-3.510)	13.88	99
22+22+50+71	1.25	1.25	2.85	4.04	-	9.40 (3.70-10.00)	3.140 (0.810-3.500)	13.79	99
22+22+60+60	1.26	1.26	3.44	3.44	-	9.40 (3.70-10.00)	3.130 (0.810-3.500)	13.75	99
22+25+25+25	1.97	2.24	2.24	2.24	-	8.70 (3.70-9.70)	2.950 (0.810-3.380)	12.96	99
22+25+25+35	1.79	2.03	2.03	2.85	-	8.70 (3.70-9.90)	3.003 (0.810-3.460)	13.19	99
22+25+25+42	1.72	1.95	1.95	3.28	-	8.90 (3.70-9.90)	3.035 (0.810-3.470)	13.33	99
22+25+25+50	1.62	1.84	1.84	3.69	-	9.00 (3.70-10.00)	3.085 (0.810-3.485)	13.55	99
22+25+25+60	1.53	1.74	1.74	4.18	-	9.20 (3.70-10.00)	3.130 (0.810-3.505)	13.75	99

# MXZ-5D102VA COOLING

Indoor units combination	Cooling capacity (kW)						Outdoor unit power consumption(kW)	Current (A)	Power factor(%)
	Unit A	Unit B	Unit C	Unit D	Unit E	Total			
22+25+25+71	1.45	1.64	1.64	4.67	-	9.40 (3.70-10.00)	3.170 (0.810-3.520)	13.92	99
22+25+35+35	1.67	1.90	2.66	2.66	-	8.90 (3.70-9.90)	3.078 (0.810-3.490)	13.52	99
22+25+35+42	1.61	1.83	2.57	3.08	-	9.10 (3.70-10.00)	3.110 (0.810-3.500)	13.66	99
22+25+35+50	1.53	1.74	2.44	3.48	-	9.20 (3.70-10.00)	3.160 (0.810-3.515)	13.88	99
22+25+35+60	1.46	1.65	2.32	3.97	-	9.40 (3.70-10.00)	3.190 (0.810-3.530)	14.01	99
22+25+35+71	1.35	1.54	2.15	4.36	-	9.40 (3.70-10.00)	3.170 (0.810-3.520)	13.92	99
22+25+42+42	1.55	1.76	2.95	2.95	-	9.20 (3.70-10.00)	3.143 (0.810-3.515)	13.80	99
22+25+42+50	1.49	1.69	2.84	3.38	-	9.40 (3.70-10.00)	3.193 (0.810-3.525)	14.02	99
22+25+42+60	1.39	1.58	2.65	3.79	-	9.40 (3.70-10.00)	3.170 (0.810-3.520)	13.92	99
22+25+42+71	1.29	1.47	2.47	4.17	-	9.40 (3.70-10.00)	3.150 (0.810-3.510)	13.83	99
22+25+50+50	1.41	1.60	3.20	3.20	-	9.40 (3.70-10.00)	3.190 (0.810-3.520)	14.01	99
22+25+50+60	1.32	1.50	2.99	3.59	-	9.40 (3.70-10.00)	3.160 (0.810-3.510)	13.88	99
22+25+50+71	1.23	1.40	2.80	3.97	-	9.40 (3.70-10.00)	3.140 (0.810-3.500)	13.79	99
22+25+60+60	1.24	1.41	3.38	3.38	-	9.40 (3.70-10.00)	3.130 (0.810-3.500)	13.75	99
22+35+35+35	1.58	2.51	2.51	2.51	-	9.10 (3.70-10.00)	3.153 (0.810-3.520)	13.85	99
22+35+35+42	1.53	2.43	2.43	2.91	-	9.30 (3.70-10.00)	3.185 (0.810-3.530)	13.99	99
22+35+35+50	1.46	2.32	2.32	3.31	-	9.40 (3.70-10.00)	3.220 (0.810-3.540)	14.14	99
22+35+35+60	1.36	2.16	2.16	3.71	-	9.40 (3.70-10.00)	3.190 (0.810-3.530)	14.01	99
22+35+35+71	1.27	2.02	2.02	4.09	-	9.40 (3.70-10.00)	3.170 (0.810-3.520)	13.92	99
22+35+42+42	1.47	2.33	2.80	2.80	-	9.40 (3.70-10.00)	3.210 (0.810-3.540)	14.10	99
22+35+42+50	1.39	2.21	2.65	3.15	-	9.40 (3.70-10.00)	3.200 (0.810-3.530)	14.05	99
22+35+42+60	1.30	2.07	2.48	3.55	-	9.40 (3.70-10.00)	3.170 (0.810-3.520)	13.92	99
22+35+42+71	1.22	1.94	2.32	3.93	-	9.40 (3.70-10.00)	3.150 (0.810-3.510)	13.83	99
22+35+50+50	1.32	2.10	2.99	2.99	-	9.40 (3.70-10.00)	3.190 (0.810-3.520)	14.01	99
22+35+50+60	1.24	1.97	2.81	3.38	-	9.40 (3.70-10.00)	3.160 (0.810-3.510)	13.88	99
22+42+42+42	1.40	2.67	2.67	2.67	-	9.40 (3.70-10.00)	3.190 (0.810-3.530)	14.01	99
22+42+42+50	1.33	2.53	2.53	3.01	-	9.40 (3.70-10.00)	3.180 (0.810-3.520)	13.97	99
22+42+42+60	1.25	2.38	2.38	3.40	-	9.40 (3.70-10.00)	3.150 (0.810-3.510)	13.83	99
22+42+50+50	1.26	2.41	2.87	2.87	-	9.40 (3.70-10.00)	3.170 (0.810-3.510)	13.92	99
22+50+50+50	1.20	2.73	2.73	2.73	-	9.40 (3.70-10.00)	3.160 (0.810-3.500)	13.88	99
25+25+25+25	2.15	2.15	2.15	2.15	-	8.60 (3.70-9.90)	2.950 (0.812-3.440)	12.96	99
25+25+25+35	2.00	2.00	2.00	2.80	-	8.80 (3.70-9.90)	3.025 (0.810-3.470)	13.29	99
25+25+25+42	1.90	1.90	1.90	3.19	-	8.90 (3.70-9.90)	3.058 (0.810-3.480)	13.43	99
25+25+25+50	1.82	1.82	1.82	3.64	-	9.10 (3.70-10.00)	3.108 (0.810-3.495)	13.65	99
25+25+25+60	1.72	1.72	1.72	4.13	-	9.30 (3.70-10.00)	3.153 (0.810-3.515)	13.85	99
25+25+25+71	1.61	1.61	1.61	4.57	-	9.40 (3.70-10.00)	3.170 (0.810-3.520)	13.92	99
25+25+35+35	1.88	1.88	2.63	2.63	-	9.00 (3.70-10.00)	3.100 (0.810-3.500)	13.61	99
25+25+35+42	1.79	1.79	2.51	3.01	-	9.10 (3.70-10.00)	3.133 (0.810-3.510)	13.76	99
25+25+35+50	1.72	1.72	2.41	3.44	-	9.30 (3.70-10.00)	3.183 (0.810-3.525)	13.98	99
25+25+35+60	1.62	1.62	2.27	3.89	-	9.40 (3.70-10.00)	3.190 (0.810-3.530)	14.01	99
25+25+35+71	1.51	1.51	2.11	4.28	-	9.40 (3.70-10.00)	3.170 (0.810-3.520)	13.92	99

# MXZ-5D102VA COOLING

Indoor units combination	Cooling capacity (kW)						Outdoor unit power consumption(kW)	Current (A)	Power factor(%)
	Unit A	Unit B	Unit C	Unit D	Unit E	Total			
25+25+42+42	1.74	1.74	2.91	2.91	-	9.30 (3.70-10.00)	3.165 (0.810-3.520)	13.90	99
25+25+42+50	1.65	1.65	2.78	3.31	-	9.40 (3.70-10.00)	3.200 (0.810-3.530)	14.05	99
25+25+42+60	1.55	1.55	2.60	3.71	-	9.40 (3.70-10.00)	3.170 (0.810-3.520)	13.92	99
25+25+42+71	1.44	1.44	2.42	4.09	-	9.40 (3.70-10.00)	3.150 (0.810-3.510)	13.83	99
25+25+50+50	1.57	1.57	3.13	3.13	-	9.40 (3.70-10.00)	3.190 (0.810-3.520)	14.01	99
25+25+50+60	1.47	1.47	2.94	3.53	-	9.40 (3.70-10.00)	3.160 (0.810-3.510)	13.88	99
25+25+50+71	1.37	1.37	2.75	3.90	-	9.40 (3.70-10.00)	3.140 (0.810-3.500)	13.79	99
25+25+60+60	1.38	1.38	3.32	3.32	-	9.40 (3.70-10.00)	3.130 (0.810-3.500)	13.75	99
25+35+35+35	1.77	2.48	2.48	2.48	-	9.20 (3.70-10.00)	3.175 (0.810-3.530)	13.94	99
25+35+35+42	1.70	2.38	2.38	2.85	-	9.30 (3.70-10.00)	3.208 (0.810-3.540)	14.09	99
25+35+35+50	1.62	2.27	2.27	3.24	-	9.40 (3.70-10.00)	3.220 (0.810-3.540)	14.14	99
25+35+35+60	1.52	2.12	2.12	3.64	-	9.40 (3.70-10.00)	3.190 (0.810-3.530)	14.01	99
25+35+35+71	1.42	1.98	1.98	4.02	-	9.40 (3.70-10.00)	3.170 (0.810-3.520)	13.92	99
25+35+42+42	1.63	2.28	2.74	2.74	-	9.40 (3.70-10.00)	3.210 (0.810-3.540)	14.10	99
25+35+42+50	1.55	2.16	2.60	3.09	-	9.40 (3.70-10.00)	3.200 (0.810-3.530)	14.05	99
25+35+42+60	1.45	2.03	2.44	3.48	-	9.40 (3.70-10.00)	3.170 (0.810-3.520)	13.92	99
25+35+50+50	1.47	2.06	2.94	2.94	-	9.40 (3.70-10.00)	3.190 (0.810-3.520)	14.01	99
25+35+50+60	1.38	1.94	2.76	3.32	-	9.40 (3.70-10.00)	3.160 (0.810-3.510)	13.88	99
25+42+42+42	1.56	2.61	2.61	2.61	-	9.40 (3.70-10.00)	3.190 (0.810-3.530)	14.01	99
25+42+42+50	1.48	2.48	2.48	2.96	-	9.40 (3.70-10.00)	3.180 (0.810-3.520)	13.97	99
25+42+42+60	1.39	2.34	2.34	3.34	-	9.40 (3.70-10.00)	3.150 (0.810-3.510)	13.83	99
25+42+50+50	1.41	2.36	2.81	2.81	-	9.40 (3.70-10.00)	3.170 (0.810-3.510)	13.92	99
35+35+35+35	2.35	2.35	2.35	2.35	-	9.40 (3.70-10.00)	3.250 (0.810-3.560)	14.27	99
35+35+35+42	2.24	2.24	2.24	2.69	-	9.40 (3.70-10.00)	3.230 (0.810-3.550)	14.19	99
35+35+35+50	2.12	2.12	2.12	3.03	-	9.40 (3.70-10.00)	3.220 (0.810-3.540)	14.14	99
35+35+35+60	1.99	1.99	1.99	3.42	-	9.40 (3.70-10.00)	3.190 (0.810-3.530)	14.01	99
35+35+42+42	2.14	2.14	2.56	2.56	-	9.40 (3.70-10.00)	3.210 (0.810-3.540)	14.10	99
35+35+42+50	2.03	2.03	2.44	2.90	-	9.40 (3.70-10.00)	3.200 (0.810-3.530)	14.05	99
35+35+42+60	1.91	1.91	2.30	3.28	-	9.40 (3.70-10.00)	3.170 (0.810-3.520)	13.92	99
35+35+50+50	1.94	1.94	2.76	2.76	-	9.40 (3.70-10.00)	3.190 (0.810-3.520)	14.01	99
35+42+42+42	2.04	2.45	2.45	2.45	-	9.40 (3.70-10.00)	3.190 (0.810-3.530)	14.01	99
35+42+42+50	1.95	2.34	2.34	2.78	-	9.40 (3.70-10.00)	3.180 (0.810-3.520)	13.97	99
42+42+42+42	2.35	2.35	2.35	2.35	-	9.40 (3.70-10.00)	3.250 (0.810-3.560)	14.27	99
15+15+15+15+15	1.50	1.50	1.50	1.50	1.50	7.50 (3.90-8.40)	1.980 (0.930-3.435)	8.70	99
15+15+15+15+18	1.50	1.50	1.50	1.50	1.80	7.80 (3.90-8.90)	2.262 (0.900-3.550)	9.93	99
15+15+15+15+20	1.48	1.48	1.48	1.48	1.98	7.90 (3.90-9.10)	2.210 (0.930-3.595)	9.71	99
15+15+15+15+22	1.50	1.50	1.50	1.50	2.20	8.20 (3.90-9.50)	2.438 (0.900-3.700)	10.71	99
15+15+15+15+25	1.50	1.50	1.50	1.50	2.50	8.50 (3.90-9.90)	2.570 (0.900-3.810)	11.29	99
15+15+15+15+35	1.50	1.50	1.50	1.50	3.50	9.50 (3.90-10.60)	2.978 (0.900-4.000)	13.08	99
15+15+15+15+50	1.39	1.39	1.39	1.39	4.64	10.20 (3.90-10.60)	3.210 (0.900-3.980)	14.10	99
15+15+15+15+60	1.28	1.28	1.28	1.28	5.10	10.20 (3.90-10.60)	3.180 (0.900-3.970)	13.97	99



# MXZ-5D102VA COOLING

Indoor units combination	Cooling capacity (kW)						Outdoor unit power consumption(kW)	Current (A)	Power factor(%)
	Unit A	Unit B	Unit C	Unit D	Unit E	Total			
15+15+15+15+71	1.17	1.17	1.17	1.17	5.53	10.20 (3.90-10.60)	3.160 (0.900-3.960)	13.88	99
15+15+15+18+18	1.50	1.50	1.50	1.80	1.80	8.10 (3.90-9.40)	2.544 (0.870-3.660)	11.17	99
15+15+15+18+20	1.48	1.48	1.48	1.78	1.98	8.20 (3.90-9.60)	2.492 (0.900-3.705)	10.94	99
15+15+15+18+22	1.50	1.50	1.50	1.80	2.20	8.50 (3.90-10.00)	2.720 (0.870-3.810)	11.95	99
15+15+15+18+25	1.50	1.50	1.50	1.80	2.50	8.80 (3.90-10.40)	2.852 (0.870-3.925)	12.53	99
15+15+15+18+35	1.50	1.50	1.50	1.80	3.50	9.80 (3.90-10.70)	3.240 (0.870-4.000)	14.23	99
15+15+15+18+42	1.46	1.46	1.46	1.75	4.08	10.20 (3.90-10.70)	3.370 (0.870-3.990)	14.80	99
15+15+15+18+50	1.35	1.35	1.35	1.62	4.51	10.20 (3.90-10.70)	3.360 (0.870-3.980)	14.76	99
15+15+15+18+60	1.24	1.24	1.24	1.49	4.98	10.20 (3.90-10.70)	3.330 (0.870-3.970)	14.62	99
15+15+15+18+71	1.14	1.14	1.14	1.37	5.40	10.20 (3.90-10.70)	3.310 (0.870-3.960)	14.54	99
15+15+15+20+20	1.46	1.46	1.46	1.95	1.95	8.30 (3.90-9.80)	2.440 (0.930-3.750)	10.72	99
15+15+15+20+22	1.48	1.48	1.48	1.98	2.17	8.60 (3.90-10.20)	2.668 (0.900-3.855)	11.72	99
15+15+15+20+25	1.48	1.48	1.48	1.98	2.47	8.90 (3.90-10.60)	2.800 (0.900-3.970)	12.30	99
15+15+15+20+35	1.49	1.49	1.49	1.98	3.47	9.90 (3.90-10.60)	3.175 (0.900-3.970)	13.94	99
15+15+15+20+42	1.42	1.42	1.42	1.89	3.96	10.10 (3.90-10.60)	3.230 (0.900-3.960)	14.19	99
15+15+15+20+50	1.32	1.32	1.32	1.76	4.39	10.10 (3.90-10.60)	3.220 (0.900-3.950)	14.14	99
15+15+15+20+60	1.21	1.21	1.21	1.62	4.85	10.10 (3.90-10.60)	3.190 (0.900-3.940)	14.01	99
15+15+15+20+71	1.11	1.11	1.11	1.49	5.27	10.10 (3.90-10.60)	3.170 (0.900-3.930)	13.92	99
15+15+15+22+22	1.50	1.50	1.50	2.20	2.20	8.90 (3.90-10.60)	2.896 (0.870-3.960)	12.72	99
15+15+15+22+25	1.50	1.50	1.50	2.20	2.50	9.20 (3.90-10.70)	3.015 (0.870-4.000)	13.24	99
15+15+15+22+42	1.40	1.40	1.40	2.06	3.93	10.20 (3.90-10.70)	3.370 (0.870-3.990)	14.80	99
15+15+15+22+50	1.31	1.31	1.31	1.92	4.36	10.20 (3.90-10.70)	3.360 (0.870-3.980)	14.76	99
15+15+15+22+60	1.20	1.20	1.20	1.77	4.82	10.20 (3.90-10.70)	3.330 (0.870-3.970)	14.62	99
15+15+15+22+71	1.11	1.11	1.11	1.63	5.25	10.20 (3.90-10.70)	3.310 (0.870-3.960)	14.54	99
15+15+15+25+25	1.50	1.50	1.50	2.50	2.50	9.50 (3.90-10.70)	3.128 (0.870-4.000)	13.74	99
15+15+15+25+35	1.46	1.46	1.46	2.43	3.40	10.20 (3.90-10.70)	3.390 (0.870-4.000)	14.89	99
15+15+15+25+42	1.37	1.37	1.37	2.28	3.83	10.20 (3.90-10.70)	3.370 (0.870-3.990)	14.80	99
15+15+15+25+50	1.28	1.28	1.28	2.13	4.25	10.20 (3.90-10.70)	3.360 (0.870-3.980)	14.76	99
15+15+15+25+60	1.18	1.18	1.18	1.96	4.71	10.20 (3.90-10.70)	3.330 (0.870-3.970)	14.62	99
15+15+15+25+71	1.09	1.09	1.09	1.81	5.14	10.20 (3.90-10.70)	3.310 (0.870-3.960)	14.54	99
15+15+15+35+35	1.33	1.33	1.33	3.10	3.10	10.20 (3.90-10.70)	3.390 (0.870-4.000)	14.89	99
15+15+15+35+42	1.25	1.25	1.25	2.93	3.51	10.20 (3.90-10.70)	3.370 (0.870-3.990)	14.80	99
15+15+15+35+50	1.18	1.18	1.18	2.75	3.92	10.20 (3.90-10.70)	3.360 (0.870-3.980)	14.76	99
15+15+15+35+60	1.09	1.09	1.09	2.55	4.37	10.20 (3.90-10.70)	3.330 (0.870-3.970)	14.62	99
15+15+15+35+71	1.01	1.01	1.01	2.36	4.80	10.20 (3.90-10.70)	3.310 (0.870-3.960)	14.54	99
15+15+15+42+42	1.19	1.19	1.19	3.32	3.32	10.20 (3.90-10.70)	3.350 (0.870-3.980)	14.71	99
15+15+15+42+50	1.12	1.12	1.12	3.13	3.72	10.20 (3.90-10.70)	3.340 (0.870-3.970)	14.67	99
15+15+15+42+60	1.04	1.04	1.04	2.91	4.16	10.20 (3.90-10.70)	3.310 (0.870-3.960)	14.54	99
15+15+15+42+71	0.97	0.97	0.97	2.71	4.58	10.20 (3.90-10.70)	3.290 (0.870-3.950)	14.45	99
15+15+15+50+50	1.06	1.06	1.06	3.52	3.52	10.20 (3.90-10.70)	3.330 (0.870-3.960)	14.62	99
15+15+15+50+60	0.99	0.99	0.99	3.29	3.95	10.20 (3.90-10.70)	3.300 (0.870-3.950)	14.49	99

# MXZ-5D102VA COOLING

Indoor units combination	Cooling capacity (kW)						Outdoor unit power consumption(kW)	Current (A)	Power factor(%)
	Unit A	Unit B	Unit C	Unit D	Unit E	Total			
15+15+15+50+71	0.92	0.92	0.92	3.07	4.36	10.20 (3.90-10.70)	3.280 (0.870-3.940)	14.40	99
15+15+15+60+60	0.93	0.93	0.93	3.71	3.71	10.20 (3.90-10.70)	3.270 (0.870-3.940)	14.36	99
15+15+18+18+18	1.50	1.50	1.80	1.80	1.80	8.40 (3.90-10.00)	2.826 (0.840-3.775)	12.41	99
15+15+18+18+20	1.48	1.48	1.78	1.78	1.98	8.50 (3.90-10.10)	2.774 (0.870-3.820)	12.18	99
15+15+18+18+22	1.50	1.50	1.80	1.80	2.20	8.80 (3.90-10.50)	3.002 (0.840-3.925)	13.18	99
15+15+18+18+25	1.50	1.50	1.80	1.80	2.50	9.10 (3.90-10.80)	3.128 (0.840-4.000)	13.74	99
15+15+18+18+35	1.50	1.50	1.80	1.80	3.50	10.10 (3.90-10.80)	3.503 (0.840-4.000)	15.38	99
15+15+18+18+42	1.42	1.42	1.70	1.70	3.97	10.20 (3.90-10.80)	3.520 (0.840-3.990)	15.46	99
15+15+18+18+50	1.32	1.32	1.58	1.58	4.40	10.20 (3.90-10.80)	3.510 (0.840-3.980)	15.42	99
15+15+18+18+60	1.21	1.21	1.46	1.46	4.86	10.20 (3.90-10.80)	3.480 (0.840-3.970)	15.28	99
15+15+18+18+71	1.12	1.12	1.34	1.34	5.29	10.20 (3.90-10.80)	3.460 (0.840-3.960)	15.20	99
15+15+18+20+20	1.47	1.47	1.76	1.95	1.95	8.60 (3.90-10.30)	2.722 (0.900-3.865)	11.95	99
15+15+18+20+22	1.48	1.48	1.78	1.98	2.18	8.90 (3.90-10.70)	2.950 (0.870-3.970)	12.96	99
15+15+18+20+25	1.48	1.48	1.78	1.98	2.47	9.20 (3.90-10.70)	3.063 (0.870-3.970)	13.45	99
15+15+18+20+35	1.47	1.47	1.77	1.96	3.43	10.10 (3.90-10.70)	3.400 (0.870-3.970)	14.93	99
15+15+18+20+42	1.38	1.38	1.65	1.84	3.86	10.10 (3.90-10.70)	3.380 (0.870-3.960)	14.84	99
15+15+18+20+50	1.28	1.28	1.54	1.71	4.28	10.10 (3.90-10.70)	3.370 (0.870-3.950)	14.80	99
15+15+18+20+60	1.18	1.18	1.42	1.58	4.73	10.10 (3.90-10.70)	3.340 (0.870-3.940)	14.67	99
15+15+18+20+71	1.09	1.09	1.31	1.45	5.16	10.10 (3.90-10.70)	3.320 (0.870-3.930)	14.58	99
15+15+18+22+22	1.50	1.50	1.80	2.20	2.20	9.20 (3.90-10.80)	3.165 (0.840-4.000)	13.90	99
15+15+18+22+25	1.50	1.50	1.80	2.20	2.50	9.50 (3.90-10.80)	3.278 (0.840-4.000)	14.40	99
15+15+18+22+35	1.46	1.46	1.75	2.14	3.40	10.20 (3.90-10.80)	3.540 (0.840-4.000)	15.55	99
15+15+18+22+42	1.37	1.37	1.64	2.00	3.83	10.20 (3.90-10.80)	3.520 (0.840-3.990)	15.46	99
15+15+18+22+50	1.28	1.28	1.53	1.87	4.25	10.20 (3.90-10.80)	3.510 (0.840-3.980)	15.42	99
15+15+18+22+60	1.18	1.18	1.41	1.73	4.71	10.20 (3.90-10.80)	3.480 (0.840-3.970)	15.28	99
15+15+18+22+71	1.09	1.09	1.30	1.59	5.14	10.20 (3.90-10.80)	3.460 (0.840-3.960)	15.20	99
15+15+18+25+25	1.50	1.50	1.80	2.50	2.50	9.80 (3.90-10.80)	3.390 (0.840-4.000)	14.89	99
15+15+18+25+35	1.42	1.42	1.70	2.36	3.31	10.20 (3.90-10.80)	3.540 (0.840-4.000)	15.55	99
15+15+18+25+42	1.33	1.33	1.60	2.22	3.73	10.20 (3.90-10.80)	3.520 (0.840-3.990)	15.46	99
15+15+18+25+50	1.24	1.24	1.49	2.07	4.15	10.20 (3.90-10.80)	3.510 (0.840-3.980)	15.42	99
15+15+18+25+60	1.15	1.15	1.38	1.92	4.60	10.20 (3.90-10.80)	3.480 (0.840-3.970)	15.28	99
15+15+18+25+71	1.06	1.06	1.28	1.77	5.03	10.20 (3.90-10.80)	3.460 (0.840-3.960)	15.20	99
15+15+18+35+35	1.30	1.30	1.56	3.03	3.03	10.20 (3.90-10.80)	3.540 (0.840-4.000)	15.55	99
15+15+18+35+42	1.22	1.22	1.47	2.86	3.43	10.20 (3.90-10.80)	3.520 (0.840-3.990)	15.46	99
15+15+18+35+50	1.15	1.15	1.38	2.68	3.83	10.20 (3.90-10.80)	3.510 (0.840-3.980)	15.42	99
15+15+18+35+60	1.07	1.07	1.28	2.50	4.28	10.20 (3.90-10.80)	3.480 (0.840-3.970)	15.28	99
15+15+18+35+71	0.99	0.99	1.19	2.32	4.70	10.20 (3.90-10.80)	3.460 (0.840-3.960)	15.20	99
15+15+18+42+42	1.16	1.16	1.39	3.25	3.25	10.20 (3.90-10.80)	3.500 (0.840-3.980)	15.37	99
15+15+18+42+50	1.09	1.09	1.31	3.06	3.64	10.20 (3.90-10.80)	3.490 (0.840-3.970)	15.33	99
15+15+18+42+60	1.02	1.02	1.22	2.86	4.08	10.20 (3.90-10.80)	3.460 (0.840-3.960)	15.20	99
15+15+18+42+71	0.95	0.95	1.14	2.66	4.50	10.20 (3.90-10.80)	3.440 (0.840-3.950)	15.11	99

# MXZ-5D102VA COOLING

Indoor units combination	Cooling capacity (kW)					Outdoor unit power consumption(kW)	Current (A)	Power factor(%)	
	Unit A	Unit B	Unit C	Unit D	Unit E				Total
15+15+18+50+50	1.03	1.03	1.24	3.45	3.45	10.20 (3.90-10.80)	3.480 (0.840-3.960)	15.28	99
15+15+18+50+60	0.97	0.97	1.16	3.23	3.87	10.20 (3.90-10.80)	3.450 (0.840-3.950)	15.15	99
15+15+18+50+71	0.91	0.91	1.09	3.02	4.29	10.20 (3.90-10.80)	3.430 (0.840-3.940)	15.06	99
15+15+18+60+60	0.91	0.91	1.09	3.64	3.64	10.20 (3.90-10.80)	3.420 (0.840-3.940)	15.02	99
15+15+20+20+20	1.45	1.45	1.93	1.93	1.93	8.70 (3.90-10.50)	2.670 (0.930-3.910)	11.73	99
15+15+20+20+22	1.47	1.47	1.96	1.96	2.15	9.00 (3.90-10.60)	2.885 (0.900-3.940)	12.67	99
15+15+20+20+25	1.47	1.47	1.96	1.96	2.45	9.30 (3.90-10.60)	2.998 (0.900-3.940)	13.17	99
15+15+20+20+35	1.43	1.43	1.90	1.90	3.33	10.00 (3.90-10.60)	3.260 (0.900-3.940)	14.32	99
15+15+20+20+42	1.34	1.34	1.79	1.79	3.75	10.00 (3.90-10.60)	3.240 (0.900-3.930)	14.23	99
15+15+20+20+50	1.25	1.25	1.67	1.67	4.17	10.00 (3.90-10.60)	3.230 (0.900-3.920)	14.19	99
15+15+20+20+60	1.15	1.15	1.54	1.54	4.62	10.00 (3.90-10.60)	3.200 (0.900-3.910)	14.05	99
15+15+20+20+71	1.06	1.06	1.42	1.42	5.04	10.00 (3.90-10.60)	3.180 (0.900-3.900)	13.97	99
15+15+20+22+22	1.48	1.48	1.98	2.18	2.18	9.30 (3.90-10.70)	3.100 (0.870-3.970)	13.61	99
15+15+20+22+25	1.48	1.48	1.98	2.18	2.47	9.60 (3.90-10.70)	3.213 (0.870-3.970)	14.11	99
15+15+20+22+35	1.42	1.42	1.89	2.08	3.30	10.10 (3.90-10.70)	3.400 (0.870-3.970)	14.93	99
15+15+20+22+42	1.33	1.33	1.77	1.95	3.72	10.10 (3.90-10.70)	3.380 (0.870-3.960)	14.84	99
15+15+20+22+50	1.24	1.24	1.66	1.82	4.14	10.10 (3.90-10.70)	3.370 (0.870-3.950)	14.80	99
15+15+20+22+60	1.15	1.15	1.53	1.68	4.59	10.10 (3.90-10.70)	3.340 (0.870-3.940)	14.67	99
15+15+20+22+71	1.06	1.06	1.41	1.55	5.01	10.10 (3.90-10.70)	3.320 (0.870-3.930)	14.58	99
15+15+20+25+25	1.49	1.49	1.98	2.48	2.48	9.90 (3.90-10.70)	3.325 (0.870-3.970)	14.60	99
15+15+20+25+35	1.38	1.38	1.84	2.30	3.21	10.10 (3.90-10.70)	3.400 (0.870-3.970)	14.93	99
15+15+20+25+42	1.29	1.29	1.73	2.16	3.63	10.10 (3.90-10.70)	3.380 (0.870-3.960)	14.84	99
15+15+20+25+50	1.21	1.21	1.62	2.02	4.04	10.10 (3.90-10.70)	3.370 (0.870-3.950)	14.80	99
15+15+20+25+60	1.12	1.12	1.50	1.87	4.49	10.10 (3.90-10.70)	3.340 (0.870-3.940)	14.67	99
15+15+20+25+71	1.04	1.04	1.38	1.73	4.91	10.10 (3.90-10.70)	3.320 (0.870-3.930)	14.58	99
15+15+20+35+35	1.26	1.26	1.68	2.95	2.95	10.10 (3.90-10.70)	3.400 (0.870-3.970)	14.93	99
15+15+20+35+42	1.19	1.19	1.59	2.78	3.34	10.10 (3.90-10.70)	3.380 (0.870-3.960)	14.84	99
15+15+20+35+50	1.12	1.12	1.50	2.62	3.74	10.10 (3.90-10.70)	3.370 (0.870-3.950)	14.80	99
15+15+20+35+60	1.04	1.04	1.39	2.44	4.18	10.10 (3.90-10.70)	3.340 (0.870-3.940)	14.67	99
15+15+20+35+71	0.97	0.97	1.29	2.27	4.60	10.10 (3.90-10.70)	3.320 (0.870-3.930)	14.58	99
15+15+20+42+42	1.13	1.13	1.51	3.17	3.17	10.10 (3.90-10.70)	3.360 (0.870-3.950)	14.76	99
15+15+20+42+50	1.07	1.07	1.42	2.99	3.56	10.10 (3.90-10.70)	3.350 (0.870-3.940)	14.71	99
15+15+20+42+60	1.00	1.00	1.33	2.79	3.99	10.10 (3.90-10.70)	3.320 (0.870-3.930)	14.58	99
15+15+20+42+71	0.93	0.93	1.24	2.60	4.40	10.10 (3.90-10.70)	3.300 (0.870-3.920)	14.49	99
15+15+20+50+50	1.01	1.01	1.35	3.37	3.37	10.10 (3.90-10.70)	3.340 (0.870-3.930)	14.67	99
15+15+20+50+60	0.95	0.95	1.26	3.16	3.79	10.10 (3.90-10.70)	3.310 (0.870-3.920)	14.54	99
15+15+20+50+71	0.89	0.89	1.18	2.95	4.19	10.10 (3.90-10.70)	3.290 (0.870-3.910)	14.45	99
15+15+20+60+60	0.89	0.89	1.19	3.56	3.56	10.10 (3.90-10.70)	3.280 (0.870-3.910)	14.40	99
15+15+22+22+22	1.50	1.50	2.20	2.20	2.20	9.60 (3.90-10.80)	3.315 (0.840-4.000)	14.56	99
15+15+22+22+25	1.50	1.50	2.20	2.20	2.50	9.90 (3.90-10.80)	3.428 (0.840-4.000)	15.05	99
15+15+22+22+35	1.40	1.40	2.06	2.06	3.28	10.20 (3.90-10.80)	3.540 (0.840-4.000)	15.55	99

# MXZ-5D102VA COOLING

Indoor units combination	Cooling capacity (kW)						Outdoor unit power consumption(kW)	Current (A)	Power factor(%)
	Unit A	Unit B	Unit C	Unit D	Unit E	Total			
15+15+22+22+42	1.32	1.32	1.93	1.93	3.69	10.20 (3.90-10.80)	3.520 (0.840-3.990)	15.46	99
15+15+22+22+50	1.23	1.23	1.81	1.81	4.11	10.20 (3.90-10.80)	3.510 (0.840-3.980)	15.42	99
15+15+22+22+60	1.14	1.14	1.67	1.67	4.57	10.20 (3.90-10.80)	3.480 (0.840-3.970)	15.28	99
15+15+22+22+71	1.06	1.06	1.55	1.55	4.99	10.20 (3.90-10.80)	3.460 (0.840-3.960)	15.20	99
15+15+22+25+35	1.37	1.37	2.00	2.28	3.19	10.20 (3.90-10.80)	3.540 (0.840-4.000)	15.55	99
15+15+22+25+42	1.29	1.29	1.89	2.14	3.60	10.20 (3.90-10.80)	3.520 (0.840-3.990)	15.46	99
15+15+22+25+50	1.20	1.20	1.77	2.01	4.02	10.20 (3.90-10.80)	3.510 (0.840-3.980)	15.42	99
15+15+22+25+60	1.12	1.12	1.64	1.86	4.47	10.20 (3.90-10.80)	3.480 (0.840-3.970)	15.28	99
15+15+22+25+71	1.03	1.03	1.52	1.72	4.89	10.20 (3.90-10.80)	3.460 (0.840-3.960)	15.20	99
15+15+22+35+35	1.25	1.25	1.84	2.93	2.93	10.20 (3.90-10.80)	3.540 (0.840-4.000)	15.55	99
15+15+22+35+42	1.19	1.19	1.74	2.77	3.32	10.20 (3.90-10.80)	3.520 (0.840-3.990)	15.46	99
15+15+22+35+50	1.12	1.12	1.64	2.61	3.72	10.20 (3.90-10.80)	3.510 (0.840-3.980)	15.42	99
15+15+22+35+60	1.04	1.04	1.53	2.43	4.16	10.20 (3.90-10.80)	3.480 (0.840-3.970)	15.28	99
15+15+22+35+71	0.97	0.97	1.42	2.26	4.58	10.20 (3.90-10.80)	3.460 (0.840-3.960)	15.20	99
15+15+22+42+42	1.13	1.13	1.65	3.15	3.15	10.20 (3.90-10.80)	3.500 (0.840-3.980)	15.37	99
15+15+22+42+50	1.06	1.06	1.56	2.98	3.54	10.20 (3.90-10.80)	3.490 (0.840-3.970)	15.33	99
15+15+22+42+60	0.99	0.99	1.46	2.78	3.97	10.20 (3.90-10.80)	3.460 (0.840-3.960)	15.20	99
15+15+22+42+71	0.93	0.93	1.36	2.60	4.39	10.20 (3.90-10.80)	3.440 (0.840-3.950)	15.11	99
15+15+22+50+50	1.01	1.01	1.48	3.36	3.36	10.20 (3.90-10.80)	3.480 (0.840-3.960)	15.28	99
15+15+22+50+60	0.94	0.94	1.39	3.15	3.78	10.20 (3.90-10.80)	3.450 (0.840-3.950)	15.15	99
15+15+22+60+60	0.89	0.89	1.30	3.56	3.56	10.20 (3.90-10.80)	3.420 (0.840-3.940)	15.02	99
15+15+25+25+25	1.46	1.46	2.43	2.43	2.43	10.20 (3.90-10.80)	3.540 (0.840-4.000)	15.55	99
15+15+25+25+35	1.33	1.33	2.22	2.22	3.10	10.20 (3.90-10.80)	3.540 (0.840-4.000)	15.55	99
15+15+25+25+42	1.25	1.25	2.09	2.09	3.51	10.20 (3.90-10.80)	3.520 (0.840-3.990)	15.46	99
15+15+25+25+50	1.18	1.18	1.96	1.96	3.92	10.20 (3.90-10.80)	3.510 (0.840-3.980)	15.42	99
15+15+25+25+60	1.09	1.09	1.82	1.82	4.37	10.20 (3.90-10.80)	3.480 (0.840-3.970)	15.28	99
15+15+25+25+71	1.01	1.01	1.69	1.69	4.80	10.20 (3.90-10.80)	3.460 (0.840-3.960)	15.20	99
15+15+25+35+35	1.22	1.22	2.04	2.86	2.86	10.20 (3.90-10.80)	3.540 (0.840-4.000)	15.55	99
15+15+25+35+42	1.16	1.16	1.93	2.70	3.25	10.20 (3.90-10.80)	3.520 (0.840-3.990)	15.46	99
15+15+25+35+50	1.09	1.09	1.82	2.55	3.64	10.20 (3.90-10.80)	3.510 (0.840-3.980)	15.42	99
15+15+25+35+60	1.02	1.02	1.70	2.38	4.08	10.20 (3.90-10.80)	3.480 (0.840-3.970)	15.28	99
15+15+25+35+71	0.95	0.95	1.58	2.22	4.50	10.20 (3.90-10.80)	3.460 (0.840-3.960)	15.20	99
15+15+25+42+42	1.10	1.10	1.83	3.08	3.08	10.20 (3.90-10.80)	3.500 (0.840-3.980)	15.37	99
15+15+25+42+50	1.04	1.04	1.73	2.91	3.47	10.20 (3.90-10.80)	3.490 (0.840-3.970)	15.33	99
15+15+25+42+60	0.97	0.97	1.62	2.73	3.90	10.20 (3.90-10.80)	3.460 (0.840-3.960)	15.20	99
15+15+25+42+71	0.91	0.91	1.52	2.55	4.31	10.20 (3.90-10.80)	3.440 (0.840-3.950)	15.11	99
15+15+25+50+50	0.99	0.99	1.65	3.29	3.29	10.20 (3.90-10.80)	3.480 (0.840-3.960)	15.28	99
15+15+25+50+60	0.93	0.93	1.55	3.09	3.71	10.20 (3.90-10.80)	3.450 (0.840-3.950)	15.15	99
15+15+35+35+35	1.13	1.13	2.64	2.64	2.64	10.20 (3.90-10.80)	3.540 (0.840-4.000)	15.55	99
15+15+35+35+42	1.08	1.08	2.51	2.51	3.02	10.20 (3.90-10.80)	3.520 (0.840-3.990)	15.46	99
15+15+35+35+50	1.02	1.02	2.38	2.38	3.40	10.20 (3.90-10.80)	3.510 (0.840-3.980)	15.42	99

# MXZ-5D102VA COOLING

Indoor units combination	Cooling capacity (kW)						Outdoor unit power consumption(kW)	Current (A)	Power factor(%)
	Unit A	Unit B	Unit C	Unit D	Unit E	Total			
15+15+35+35+60	0.96	0.96	2.23	2.23	3.83	10.20 (3.90-10.80)	3.480 (0.840-3.970)	15.28	99
15+15+35+35+71	0.89	0.89	2.09	2.09	4.24	10.20 (3.90-10.80)	3.460 (0.840-3.960)	15.20	99
15+15+35+42+42	1.03	1.03	2.40	2.88	2.88	10.20 (3.90-10.80)	3.500 (0.840-3.980)	15.37	99
15+15+35+42+50	0.97	0.97	2.27	2.73	3.25	10.20 (3.90-10.80)	3.490 (0.840-3.970)	15.33	99
15+15+35+42+60	0.92	0.92	2.14	2.57	3.66	10.20 (3.90-10.80)	3.460 (0.840-3.960)	15.20	99
15+15+35+50+50	0.93	0.93	2.16	3.09	3.09	10.20 (3.90-10.80)	3.480 (0.840-3.960)	15.28	99
15+15+42+42+42	0.98	0.98	2.75	2.75	2.75	10.20 (3.90-10.80)	3.480 (0.840-3.970)	15.28	99
15+15+42+42+50	0.93	0.93	2.61	2.61	3.11	10.20 (3.90-10.80)	3.470 (0.840-3.960)	15.24	99
15+15+42+50+50	0.89	0.89	2.49	2.97	2.97	10.20 (3.90-10.80)	3.460 (0.840-3.950)	15.20	99
15+18+18+18+18	1.50	1.80	1.80	1.80	1.80	8.70 (3.90-10.50)	3.108 (0.810-3.885)	13.65	99
15+18+18+18+20	1.48	1.78	1.78	1.78	1.98	8.80 (3.90-10.70)	3.056 (0.840-3.930)	13.42	99
15+18+18+18+22	1.50	1.80	1.80	1.80	2.20	9.10 (3.90-10.90)	3.278 (0.810-4.000)	14.40	99
15+18+18+18+25	1.50	1.80	1.80	1.80	2.50	9.40 (3.90-10.90)	3.390 (0.810-4.000)	14.89	99
15+18+18+18+35	1.47	1.77	1.77	1.77	3.43	10.20 (3.90-10.90)	3.690 (0.810-4.000)	16.21	99
15+18+18+18+42	1.38	1.65	1.65	1.65	3.86	10.20 (3.90-10.90)	3.670 (0.810-3.990)	16.12	99
15+18+18+18+50	1.29	1.54	1.54	1.54	4.29	10.20 (3.90-10.90)	3.660 (0.810-3.980)	16.07	99
15+18+18+18+60	1.19	1.42	1.42	1.42	4.74	10.20 (3.90-10.90)	3.630 (0.810-3.970)	15.94	99
15+18+18+18+71	1.09	1.31	1.31	1.31	5.17	10.20 (3.90-10.90)	3.610 (0.810-3.960)	15.85	99
15+18+18+20+20	1.47	1.76	1.76	1.96	1.96	8.90 (3.90-10.70)	2.998 (0.870-3.940)	13.17	99
15+18+18+20+22	1.48	1.78	1.78	1.98	2.18	9.20 (3.90-10.80)	3.213 (0.840-3.970)	14.11	99
15+18+18+20+25	1.48	1.78	1.78	1.98	2.47	9.50 (3.90-10.80)	3.325 (0.840-3.970)	14.60	99
15+18+18+20+35	1.43	1.72	1.72	1.91	3.33	10.10 (3.90-10.80)	3.550 (0.840-3.970)	15.59	99
15+18+18+20+42	1.34	1.61	1.61	1.79	3.75	10.10 (3.90-10.80)	3.530 (0.840-3.960)	15.50	99
15+18+18+20+50	1.25	1.50	1.50	1.67	4.17	10.10 (3.90-10.80)	3.520 (0.840-3.950)	15.46	99
15+18+18+20+60	1.16	1.39	1.39	1.54	4.63	10.10 (3.90-10.80)	3.490 (0.840-3.940)	15.33	99
15+18+18+20+71	1.07	1.28	1.28	1.42	5.05	10.10 (3.90-10.80)	3.470 (0.840-3.930)	15.24	99
15+18+18+22+22	1.50	1.80	1.80	2.20	2.20	9.50 (3.90-10.90)	3.428 (0.810-4.000)	15.05	99
15+18+18+22+25	1.50	1.80	1.80	2.20	2.50	9.80 (3.90-10.90)	3.540 (0.810-4.000)	15.55	99
15+18+18+22+35	1.42	1.70	1.70	2.08	3.31	10.20 (3.90-10.90)	3.690 (0.810-4.000)	16.21	99
15+18+18+22+42	1.33	1.60	1.60	1.95	3.73	10.20 (3.90-10.90)	3.670 (0.810-3.990)	16.12	99
15+18+18+22+50	1.24	1.49	1.49	1.82	4.15	10.20 (3.90-10.90)	3.660 (0.810-3.980)	16.07	99
15+18+18+22+60	1.15	1.38	1.38	1.69	4.60	10.20 (3.90-10.90)	3.630 (0.810-3.970)	15.94	99
15+18+18+22+71	1.06	1.28	1.28	1.56	5.03	10.20 (3.90-10.90)	3.610 (0.810-3.960)	15.85	99
15+18+18+25+25	1.50	1.80	1.80	2.50	2.50	10.10 (3.90-10.90)	3.653 (0.810-4.000)	16.04	99
15+18+18+25+35	1.38	1.65	1.65	2.30	3.22	10.20 (3.90-10.90)	3.690 (0.810-4.000)	16.21	99
15+18+18+25+42	1.30	1.56	1.56	2.16	3.63	10.20 (3.90-10.90)	3.670 (0.810-3.990)	16.12	99
15+18+18+25+50	1.21	1.46	1.46	2.02	4.05	10.20 (3.90-10.90)	3.660 (0.810-3.980)	16.07	99
15+18+18+25+60	1.13	1.35	1.35	1.88	4.50	10.20 (3.90-10.90)	3.630 (0.810-3.970)	15.94	99
15+18+18+25+71	1.04	1.25	1.25	1.73	4.93	10.20 (3.90-10.90)	3.610 (0.810-3.960)	15.85	99
15+18+18+35+35	1.26	1.52	1.52	2.95	2.95	10.20 (3.90-10.90)	3.690 (0.810-4.000)	16.21	99
15+18+18+35+42	1.20	1.43	1.43	2.79	3.35	10.20 (3.90-10.90)	3.670 (0.810-3.990)	16.12	99

# MXZ-5D102VA COOLING

Indoor units combination	Cooling capacity (kW)						Outdoor unit power consumption(kW)	Current (A)	Power factor(%)
	Unit A	Unit B	Unit C	Unit D	Unit E	Total			
15+18+18+35+50	1.13	1.35	1.35	2.63	3.75	10.20 (3.90-10.90)	3.660 (0.810-3.980)	16.07	99
15+18+18+35+60	1.05	1.26	1.26	2.45	4.19	10.20 (3.90-10.90)	3.630 (0.810-3.970)	15.94	99
15+18+18+35+71	0.97	1.17	1.17	2.27	4.61	10.20 (3.90-10.90)	3.610 (0.810-3.960)	15.85	99
15+18+18+42+42	1.13	1.36	1.36	3.17	3.17	10.20 (3.90-10.90)	3.650 (0.810-3.980)	16.03	99
15+18+18+42+50	1.07	1.28	1.28	3.00	3.57	10.20 (3.90-10.90)	3.640 (0.810-3.970)	15.99	99
15+18+18+42+60	1.00	1.20	1.20	2.80	4.00	10.20 (3.90-10.90)	3.610 (0.810-3.960)	15.85	99
15+18+18+42+71	0.93	1.12	1.12	2.61	4.42	10.20 (3.90-10.90)	3.590 (0.810-3.950)	15.77	99
15+18+18+50+50	1.01	1.22	1.22	3.38	3.38	10.20 (3.90-10.90)	3.630 (0.810-3.960)	15.94	99
15+18+18+50+60	0.95	1.14	1.14	3.17	3.80	10.20 (3.90-10.90)	3.600 (0.810-3.950)	15.81	99
15+18+18+50+71	0.89	1.07	1.07	2.97	4.21	10.20 (3.90-10.90)	3.580 (0.810-3.940)	15.72	99
15+18+18+60+60	0.89	1.07	1.07	3.58	3.58	10.20 (3.90-10.90)	3.570 (0.810-3.940)	15.68	99
15+18+20+20+20	1.45	1.74	1.94	1.94	1.94	9.00 (3.90-10.60)	2.933 (0.900-3.910)	12.88	99
15+18+20+20+22	1.47	1.76	1.96	1.96	2.15	9.30 (3.90-10.70)	3.148 (0.870-3.940)	13.83	99
15+18+20+20+25	1.47	1.76	1.96	1.96	2.45	9.60 (3.90-10.70)	3.260 (0.870-3.940)	14.32	99
15+18+20+20+35	1.39	1.67	1.85	1.85	3.24	10.00 (3.90-10.70)	3.410 (0.870-3.940)	14.98	99
15+18+20+20+42	1.30	1.57	1.74	1.74	3.65	10.00 (3.90-10.70)	3.390 (0.870-3.930)	14.89	99
15+18+20+20+50	1.22	1.46	1.63	1.63	4.07	10.00 (3.90-10.70)	3.380 (0.870-3.920)	14.84	99
15+18+20+20+60	1.13	1.35	1.50	1.50	4.51	10.00 (3.90-10.70)	3.350 (0.870-3.910)	14.71	99
15+18+20+20+71	1.04	1.25	1.39	1.39	4.93	10.00 (3.90-10.70)	3.330 (0.870-3.900)	14.62	99
15+18+20+22+22	1.48	1.78	1.98	2.18	2.18	9.60 (3.90-10.80)	3.363 (0.840-3.970)	14.77	99
15+18+20+22+25	1.49	1.78	1.98	2.18	2.48	9.90 (3.90-10.80)	3.475 (0.840-3.970)	15.26	99
15+18+20+22+35	1.38	1.65	1.84	2.02	3.21	10.10 (3.90-10.80)	3.550 (0.840-3.970)	15.59	99
15+18+20+22+42	1.29	1.55	1.73	1.90	3.63	10.10 (3.90-10.80)	3.530 (0.840-3.960)	15.50	99
15+18+20+22+50	1.21	1.45	1.62	1.78	4.04	10.10 (3.90-10.80)	3.520 (0.840-3.950)	15.46	99
15+18+20+22+60	1.12	1.35	1.50	1.65	4.49	10.10 (3.90-10.80)	3.490 (0.840-3.940)	15.33	99
15+18+20+22+71	1.04	1.25	1.38	1.52	4.91	10.10 (3.90-10.80)	3.470 (0.840-3.930)	15.24	99
15+18+20+25+25	1.47	1.77	1.96	2.45	2.45	10.10 (3.90-10.80)	3.550 (0.840-3.970)	15.59	99
15+18+20+25+35	1.34	1.61	1.79	2.23	3.13	10.10 (3.90-10.80)	3.550 (0.840-3.970)	15.59	99
15+18+20+25+42	1.26	1.52	1.68	2.10	3.54	10.10 (3.90-10.80)	3.530 (0.840-3.960)	15.50	99
15+18+20+25+50	1.18	1.42	1.58	1.97	3.95	10.10 (3.90-10.80)	3.520 (0.840-3.950)	15.46	99
15+18+20+25+60	1.10	1.32	1.46	1.83	4.39	10.10 (3.90-10.80)	3.490 (0.840-3.940)	15.33	99
15+18+20+25+71	1.02	1.22	1.36	1.69	4.81	10.10 (3.90-10.80)	3.470 (0.840-3.930)	15.24	99
15+18+20+35+35	1.23	1.48	1.64	2.87	2.87	10.10 (3.90-10.80)	3.550 (0.840-3.970)	15.59	99
15+18+20+35+42	1.17	1.40	1.55	2.72	3.26	10.10 (3.90-10.80)	3.530 (0.840-3.960)	15.50	99
15+18+20+35+50	1.10	1.32	1.46	2.56	3.66	10.10 (3.90-10.80)	3.520 (0.840-3.950)	15.46	99
15+18+20+35+60	1.02	1.23	1.36	2.39	4.09	10.10 (3.90-10.80)	3.490 (0.840-3.940)	15.33	99
15+18+20+35+71	0.95	1.14	1.27	2.22	4.51	10.10 (3.90-10.80)	3.470 (0.840-3.930)	15.24	99
15+18+20+42+42	1.11	1.33	1.47	3.10	3.10	10.10 (3.90-10.80)	3.510 (0.840-3.950)	15.42	99
15+18+20+42+50	1.04	1.25	1.39	2.93	3.48	10.10 (3.90-10.80)	3.500 (0.840-3.940)	15.37	99
15+18+20+42+60	0.98	1.17	1.30	2.74	3.91	10.10 (3.90-10.80)	3.470 (0.840-3.930)	15.24	99
15+18+20+42+71	0.91	1.10	1.22	2.56	4.32	10.10 (3.90-10.80)	3.450 (0.840-3.920)	15.15	99

## MXZ-5D102VA COOLING

Indoor units combination	Cooling capacity (kW)					Outdoor unit power consumption(kW)	Current (A)	Power factor(%)	
	Unit A	Unit B	Unit C	Unit D	Unit E				Total
15+18+20+50+50	0.99	1.19	1.32	3.30	3.30	10.10 (3.90-10.80)	3.490 (0.840-3.930)	15.33	99
15+18+20+50+60	0.93	1.12	1.24	3.10	3.72	10.10 (3.90-10.80)	3.460 (0.840-3.920)	15.20	99
15+18+22+22+22	1.50	1.80	2.20	2.20	2.20	9.90 (3.90-10.90)	3.578 (0.810-4.000)	15.71	99
15+18+22+22+35	1.37	1.64	2.00	2.00	3.19	10.20 (3.90-10.90)	3.690 (0.810-4.000)	16.21	99
15+18+22+22+42	1.29	1.54	1.89	1.89	3.60	10.20 (3.90-10.90)	3.670 (0.810-3.990)	16.12	99
15+18+22+22+50	1.20	1.45	1.77	1.77	4.02	10.20 (3.90-10.90)	3.660 (0.810-3.980)	16.07	99
15+18+22+22+60	1.12	1.34	1.64	1.64	4.47	10.20 (3.90-10.90)	3.630 (0.810-3.970)	15.94	99
15+18+22+22+71	1.03	1.24	1.52	1.52	4.89	10.20 (3.90-10.90)	3.610 (0.810-3.960)	15.85	99
15+18+22+25+25	1.46	1.75	2.14	2.43	2.43	10.20 (3.90-10.90)	3.690 (0.810-4.000)	16.21	99
15+18+22+25+35	1.33	1.60	1.95	2.22	3.10	10.20 (3.90-10.90)	3.690 (0.810-4.000)	16.21	99
15+18+22+25+42	1.25	1.50	1.84	2.09	3.51	10.20 (3.90-10.90)	3.670 (0.810-3.990)	16.12	99
15+18+22+25+50	1.18	1.41	1.73	1.96	3.92	10.20 (3.90-10.90)	3.660 (0.810-3.980)	16.07	99
15+18+22+25+60	1.09	1.31	1.60	1.82	4.37	10.20 (3.90-10.90)	3.630 (0.810-3.970)	15.94	99
15+18+22+25+71	1.01	1.22	1.49	1.69	4.80	10.20 (3.90-10.90)	3.610 (0.810-3.960)	15.85	99
15+18+22+35+35	1.22	1.47	1.80	2.86	2.86	10.20 (3.90-10.90)	3.690 (0.810-4.000)	16.21	99
15+18+22+35+42	1.16	1.39	1.70	2.70	3.25	10.20 (3.90-10.90)	3.670 (0.810-3.990)	16.12	99
15+18+22+35+50	1.09	1.31	1.60	2.55	3.64	10.20 (3.90-10.90)	3.660 (0.810-3.980)	16.07	99
15+18+22+35+60	1.02	1.22	1.50	2.38	4.08	10.20 (3.90-10.90)	3.630 (0.810-3.970)	15.94	99
15+18+22+35+71	0.95	1.14	1.39	2.22	4.50	10.20 (3.90-10.90)	3.610 (0.810-3.960)	15.85	99
15+18+22+42+42	1.10	1.32	1.61	3.08	3.08	10.20 (3.90-10.90)	3.650 (0.810-3.980)	16.03	99
15+18+22+42+50	1.04	1.25	1.53	2.91	3.47	10.20 (3.90-10.90)	3.640 (0.810-3.970)	15.99	99
15+18+22+42+60	0.97	1.17	1.43	2.73	3.90	10.20 (3.90-10.90)	3.610 (0.810-3.960)	15.85	99
15+18+22+42+71	0.91	1.09	1.34	2.55	4.31	10.20 (3.90-10.90)	3.590 (0.810-3.950)	15.77	99
15+18+22+50+50	0.99	1.18	1.45	3.29	3.29	10.20 (3.90-10.90)	3.630 (0.810-3.960)	15.94	99
15+18+22+50+60	0.93	1.11	1.36	3.09	3.71	10.20 (3.90-10.90)	3.600 (0.810-3.950)	15.81	99
15+18+25+25+25	1.42	1.70	2.36	2.36	2.36	10.20 (3.90-10.90)	3.690 (0.810-4.000)	16.21	99
15+18+25+25+35	1.30	1.56	2.16	2.16	3.03	10.20 (3.90-10.90)	3.690 (0.810-4.000)	16.21	99
15+18+25+25+42	1.22	1.47	2.04	2.04	3.43	10.20 (3.90-10.90)	3.670 (0.810-3.990)	16.12	99
15+18+25+25+50	1.15	1.38	1.92	1.92	3.83	10.20 (3.90-10.90)	3.660 (0.810-3.980)	16.07	99
15+18+25+25+60	1.07	1.28	1.78	1.78	4.28	10.20 (3.90-10.90)	3.630 (0.810-3.970)	15.94	99
15+18+25+25+71	0.99	1.19	1.66	1.66	4.70	10.20 (3.90-10.90)	3.610 (0.810-3.960)	15.85	99
15+18+25+35+35	1.20	1.43	1.99	2.79	2.79	10.20 (3.90-10.90)	3.690 (0.810-4.000)	16.21	99
15+18+25+35+42	1.13	1.36	1.89	2.64	3.17	10.20 (3.90-10.90)	3.670 (0.810-3.990)	16.12	99
15+18+25+35+50	1.07	1.28	1.78	2.50	3.57	10.20 (3.90-10.90)	3.660 (0.810-3.980)	16.07	99
15+18+25+35+60	1.00	1.20	1.67	2.33	4.00	10.20 (3.90-10.90)	3.630 (0.810-3.970)	15.94	99
15+18+25+35+71	0.93	1.12	1.55	2.18	4.42	10.20 (3.90-10.90)	3.610 (0.810-3.960)	15.85	99
15+18+25+42+42	1.08	1.29	1.80	3.02	3.02	10.20 (3.90-10.90)	3.650 (0.810-3.980)	16.03	99
15+18+25+42+50	1.02	1.22	1.70	2.86	3.40	10.20 (3.90-10.90)	3.640 (0.810-3.970)	15.99	99
15+18+25+42+60	0.96	1.15	1.59	2.68	3.83	10.20 (3.90-10.90)	3.610 (0.810-3.960)	15.85	99
15+18+25+42+71	0.89	1.07	1.49	2.51	4.24	10.20 (3.90-10.90)	3.590 (0.810-3.950)	15.77	99
15+18+25+50+50	0.97	1.16	1.61	3.23	3.23	10.20 (3.90-10.90)	3.630 (0.810-3.960)	15.94	99

# MXZ-5D102VA COOLING

Indoor units combination	Cooling capacity (kW)						Outdoor unit power consumption(kW)	Current (A)	Power factor(%)
	Unit A	Unit B	Unit C	Unit D	Unit E	Total			
15+18+25+50+60	0.91	1.09	1.52	3.04	3.64	10.20 (3.90-10.90)	3.600 (0.810-3.950)	15.81	99
15+18+35+35+35	1.11	1.33	2.59	2.59	2.59	10.20 (3.90-10.90)	3.690 (0.810-4.000)	16.21	99
15+18+35+35+42	1.06	1.27	2.46	2.46	2.95	10.20 (3.90-10.90)	3.670 (0.810-3.990)	16.12	99
15+18+35+35+50	1.00	1.20	2.33	2.33	3.33	10.20 (3.90-10.90)	3.660 (0.810-3.980)	16.07	99
15+18+35+35+60	0.94	1.13	2.19	2.19	3.75	10.20 (3.90-10.90)	3.630 (0.810-3.970)	15.94	99
15+18+35+42+42	1.01	1.21	2.35	2.82	2.82	10.20 (3.90-10.90)	3.650 (0.810-3.980)	16.03	99
15+18+35+42+50	0.96	1.15	2.23	2.68	3.19	10.20 (3.90-10.90)	3.640 (0.810-3.970)	15.99	99
15+18+35+42+60	0.90	1.08	2.10	2.52	3.60	10.20 (3.90-10.90)	3.610 (0.810-3.960)	15.85	99
15+18+35+50+50	0.91	1.09	2.13	3.04	3.04	10.20 (3.90-10.90)	3.630 (0.810-3.960)	15.94	99
15+18+42+42+42	0.96	1.15	2.69	2.69	2.69	10.20 (3.90-10.90)	3.630 (0.810-3.970)	15.94	99
15+18+42+42+50	0.92	1.10	2.57	2.57	3.05	10.20 (3.90-10.90)	3.620 (0.810-3.960)	15.90	99
15+20+20+20+20	1.44	1.92	1.92	1.92	1.92	9.10 (3.90-10.50)	2.868 (0.930-3.880)	12.60	99
15+20+20+20+22	1.45	1.94	1.94	1.94	2.13	9.40 (3.90-10.60)	3.083 (0.900-3.910)	13.54	99
15+20+20+20+25	1.46	1.94	1.94	1.94	2.43	9.70 (3.90-10.60)	3.195 (0.900-3.910)	14.03	99
15+20+20+20+35	1.35	1.80	1.80	1.80	3.15	9.90 (3.90-10.60)	3.270 (0.900-3.910)	14.36	99
15+20+20+20+42	1.27	1.69	1.69	1.69	3.55	9.90 (3.90-10.60)	3.250 (0.900-3.900)	14.27	99
15+20+20+20+50	1.19	1.58	1.58	1.58	3.96	9.90 (3.90-10.60)	3.240 (0.900-3.890)	14.23	99
15+20+20+20+60	1.10	1.47	1.47	1.47	4.40	9.90 (3.90-10.60)	3.210 (0.900-3.880)	14.10	99
15+20+20+20+71	1.02	1.36	1.36	1.36	4.81	9.90 (3.90-10.60)	3.190 (0.900-3.870)	14.01	99
15+20+20+22+22	1.47	1.96	1.96	2.16	2.16	9.70 (3.90-10.70)	3.298 (0.870-3.940)	14.48	99
15+20+20+22+35	1.34	1.79	1.79	1.96	3.13	10.00 (3.90-10.70)	3.410 (0.870-3.940)	14.98	99
15+20+20+22+42	1.26	1.68	1.68	1.85	3.53	10.00 (3.90-10.70)	3.390 (0.870-3.930)	14.89	99
15+20+20+22+50	1.18	1.57	1.57	1.73	3.94	10.00 (3.90-10.70)	3.380 (0.870-3.920)	14.84	99
15+20+20+22+60	1.09	1.46	1.46	1.61	4.38	10.00 (3.90-10.70)	3.350 (0.870-3.910)	14.71	99
15+20+20+22+71	1.01	1.35	1.35	1.49	4.80	10.00 (3.90-10.70)	3.330 (0.870-3.900)	14.62	99
15+20+20+25+25	1.43	1.90	1.90	2.38	2.38	10.00 (3.90-10.70)	3.410 (0.870-3.940)	14.98	99
15+20+20+25+35	1.30	1.74	1.74	2.17	3.04	10.00 (3.90-10.70)	3.410 (0.870-3.940)	14.98	99
15+20+20+25+42	1.23	1.64	1.64	2.05	3.44	10.00 (3.90-10.70)	3.390 (0.870-3.930)	14.89	99
15+20+20+25+50	1.15	1.54	1.54	1.92	3.85	10.00 (3.90-10.70)	3.380 (0.870-3.920)	14.84	99
15+20+20+25+60	1.07	1.43	1.43	1.79	4.29	10.00 (3.90-10.70)	3.350 (0.870-3.910)	14.71	99
15+20+20+25+71	0.99	1.32	1.32	1.66	4.70	10.00 (3.90-10.70)	3.330 (0.870-3.900)	14.62	99
15+20+20+35+35	1.20	1.60	1.60	2.80	2.80	10.00 (3.90-10.70)	3.410 (0.870-3.940)	14.98	99
15+20+20+35+42	1.14	1.52	1.52	2.65	3.18	10.00 (3.90-10.70)	3.390 (0.870-3.930)	14.89	99
15+20+20+35+50	1.07	1.43	1.43	2.50	3.57	10.00 (3.90-10.70)	3.380 (0.870-3.920)	14.84	99
15+20+20+35+60	1.00	1.33	1.33	2.33	4.00	10.00 (3.90-10.70)	3.350 (0.870-3.910)	14.71	99
15+20+20+35+71	0.93	1.24	1.24	2.17	4.41	10.00 (3.90-10.70)	3.330 (0.870-3.900)	14.62	99
15+20+20+42+42	1.08	1.44	1.44	3.02	3.02	10.00 (3.90-10.70)	3.370 (0.870-3.920)	14.80	99
15+20+20+42+50	1.02	1.36	1.36	2.86	3.40	10.00 (3.90-10.70)	3.360 (0.870-3.910)	14.76	99
15+20+20+42+60	0.96	1.27	1.27	2.68	3.82	10.00 (3.90-10.70)	3.330 (0.870-3.900)	14.62	99
15+20+20+42+71	0.89	1.19	1.19	2.50	4.23	10.00 (3.90-10.70)	3.310 (0.870-3.890)	14.54	99
15+20+20+50+50	0.97	1.29	1.29	3.23	3.23	10.00 (3.90-10.70)	3.350 (0.870-3.900)	14.71	99



# MXZ-5D102VA COOLING

Indoor units combination	Cooling capacity (kW)						Outdoor unit power consumption(kW)	Current (A)	Power factor(%)
	Unit A	Unit B	Unit C	Unit D	Unit E	Total			
15+20+20+50+60	0.91	1.21	1.21	3.03	3.64	10.00 (3.90-10.70)	3.320 (0.870-3.890)	14.58	99
15+20+22+22+22	1.49	1.98	2.18	2.18	2.18	10.00 (3.90-10.80)	3.513 (0.840-3.970)	15.43	99
15+20+22+22+25	1.46	1.94	2.14	2.14	2.43	10.10 (3.90-10.80)	3.550 (0.840-3.970)	15.59	99
15+20+22+22+35	1.33	1.77	1.95	1.95	3.10	10.10 (3.90-10.80)	3.550 (0.840-3.970)	15.59	99
15+20+22+22+42	1.25	1.67	1.84	1.84	3.51	10.10 (3.90-10.80)	3.530 (0.840-3.960)	15.50	99
15+20+22+22+50	1.17	1.57	1.72	1.72	3.91	10.10 (3.90-10.80)	3.520 (0.840-3.950)	15.46	99
15+20+22+22+60	1.09	1.45	1.60	1.60	4.36	10.10 (3.90-10.80)	3.490 (0.840-3.940)	15.33	99
15+20+22+22+71	1.01	1.35	1.48	1.48	4.78	10.10 (3.90-10.80)	3.470 (0.840-3.930)	15.24	99
15+20+22+25+25	1.42	1.89	2.08	2.36	2.36	10.10 (3.90-10.80)	3.550 (0.840-3.970)	15.59	99
15+20+22+25+35	1.29	1.73	1.90	2.16	3.02	10.10 (3.90-10.80)	3.550 (0.840-3.970)	15.59	99
15+20+22+25+42	1.22	1.63	1.79	2.04	3.42	10.10 (3.90-10.80)	3.530 (0.840-3.960)	15.50	99
15+20+22+25+50	1.15	1.53	1.68	1.91	3.83	10.10 (3.90-10.80)	3.520 (0.840-3.950)	15.46	99
15+20+22+25+60	1.07	1.42	1.56	1.78	4.27	10.10 (3.90-10.80)	3.490 (0.840-3.940)	15.33	99
15+20+22+25+71	0.99	1.32	1.45	1.65	4.69	10.10 (3.90-10.80)	3.470 (0.840-3.930)	15.24	99
15+20+22+35+35	1.19	1.59	1.75	2.78	2.78	10.10 (3.90-10.80)	3.550 (0.840-3.970)	15.59	99
15+20+22+35+42	1.13	1.51	1.66	2.64	3.17	10.10 (3.90-10.80)	3.530 (0.840-3.960)	15.50	99
15+20+22+35+50	1.07	1.42	1.56	2.49	3.56	10.10 (3.90-10.80)	3.520 (0.840-3.950)	15.46	99
15+20+22+35+60	1.00	1.33	1.46	2.33	3.99	10.10 (3.90-10.80)	3.490 (0.840-3.940)	15.33	99
15+20+22+35+71	0.93	1.24	1.36	2.17	4.40	10.10 (3.90-10.80)	3.470 (0.840-3.930)	15.24	99
15+20+22+42+42	1.07	1.43	1.58	3.01	3.01	10.10 (3.90-10.80)	3.510 (0.840-3.950)	15.42	99
15+20+22+42+50	1.02	1.36	1.49	2.85	3.39	10.10 (3.90-10.80)	3.500 (0.840-3.940)	15.37	99
15+20+22+42+60	0.95	1.27	1.40	2.67	3.81	10.10 (3.90-10.80)	3.470 (0.840-3.930)	15.24	99
15+20+22+42+71	0.89	1.19	1.31	2.50	4.22	10.10 (3.90-10.80)	3.450 (0.840-3.920)	15.15	99
15+20+22+50+50	0.96	1.29	1.42	3.22	3.22	10.10 (3.90-10.80)	3.490 (0.840-3.930)	15.33	99
15+20+22+50+60	0.91	1.21	1.33	3.02	3.63	10.10 (3.90-10.80)	3.460 (0.840-3.920)	15.20	99
15+20+25+25+25	1.38	1.84	2.30	2.30	2.30	10.10 (3.90-10.80)	3.550 (0.840-3.970)	15.59	99
15+20+25+25+35	1.26	1.68	2.10	2.10	2.95	10.10 (3.90-10.80)	3.550 (0.840-3.970)	15.59	99
15+20+25+25+42	1.19	1.59	1.99	1.99	3.34	10.10 (3.90-10.80)	3.530 (0.840-3.960)	15.50	99
15+20+25+25+50	1.12	1.50	1.87	1.87	3.74	10.10 (3.90-10.80)	3.520 (0.840-3.950)	15.46	99
15+20+25+25+60	1.04	1.39	1.74	1.74	4.18	10.10 (3.90-10.80)	3.490 (0.840-3.940)	15.33	99
15+20+25+25+71	0.97	1.29	1.62	1.62	4.60	10.10 (3.90-10.80)	3.470 (0.840-3.930)	15.24	99
15+20+25+35+35	1.17	1.55	1.94	2.72	2.72	10.10 (3.90-10.80)	3.550 (0.840-3.970)	15.59	99
15+20+25+35+42	1.11	1.47	1.84	2.58	3.10	10.10 (3.90-10.80)	3.530 (0.840-3.960)	15.50	99
15+20+25+35+50	1.04	1.39	1.74	2.44	3.48	10.10 (3.90-10.80)	3.520 (0.840-3.950)	15.46	99
15+20+25+35+60	0.98	1.30	1.63	2.28	3.91	10.10 (3.90-10.80)	3.490 (0.840-3.940)	15.33	99
15+20+25+35+71	0.91	1.22	1.52	2.13	4.32	10.10 (3.90-10.80)	3.470 (0.840-3.930)	15.24	99
15+20+25+42+42	1.05	1.40	1.75	2.95	2.95	10.10 (3.90-10.80)	3.510 (0.840-3.950)	15.42	99
15+20+25+42+50	1.00	1.33	1.66	2.79	3.32	10.10 (3.90-10.80)	3.500 (0.840-3.940)	15.37	99
15+20+25+42+60	0.94	1.25	1.56	2.62	3.74	10.10 (3.90-10.80)	3.470 (0.840-3.930)	15.24	99
15+20+25+50+50	0.95	1.26	1.58	3.16	3.16	10.10 (3.90-10.80)	3.490 (0.840-3.930)	15.33	99
15+20+25+50+60	0.89	1.19	1.49	2.97	3.56	10.10 (3.90-10.80)	3.460 (0.840-3.920)	15.20	99

# MXZ-5D102VA COOLING

Indoor units combination	Cooling capacity (kW)						Outdoor unit power consumption(kW)	Current (A)	Power factor(%)
	Unit A	Unit B	Unit C	Unit D	Unit E	Total			
15+20+35+35+35	1.08	1.44	2.53	2.53	2.53	10.10 (3.90-10.80)	3.550 (0.840-3.970)	15.59	99
15+20+35+35+42	1.03	1.37	2.40	2.40	2.89	10.10 (3.90-10.80)	3.530 (0.840-3.960)	15.50	99
15+20+35+35+50	0.98	1.30	2.28	2.28	3.26	10.10 (3.90-10.80)	3.520 (0.840-3.950)	15.46	99
15+20+35+35+60	0.92	1.22	2.14	2.14	3.67	10.10 (3.90-10.80)	3.490 (0.840-3.940)	15.33	99
15+20+35+42+42	0.98	1.31	2.30	2.75	2.75	10.10 (3.90-10.80)	3.510 (0.840-3.950)	15.42	99
15+20+35+42+50	0.94	1.25	2.18	2.62	3.12	10.10 (3.90-10.80)	3.500 (0.840-3.940)	15.37	99
15+20+35+42+60	0.88	1.17	2.06	2.47	3.52	10.10 (3.90-10.80)	3.470 (0.840-3.930)	15.24	99
15+20+35+50+50	0.89	1.19	2.08	2.97	2.97	10.10 (3.90-10.80)	3.490 (0.840-3.930)	15.33	99
15+20+42+42+42	0.94	1.25	2.63	2.63	2.63	10.10 (3.90-10.80)	3.490 (0.840-3.940)	15.33	99
15+20+42+42+50	0.90	1.20	2.51	2.51	2.99	10.10 (3.90-10.80)	3.480 (0.840-3.930)	15.28	99
15+22+22+22+22	1.49	2.18	2.18	2.18	2.18	10.20 (3.90-10.90)	3.690 (0.810-4.000)	16.21	99
15+22+22+22+25	1.44	2.12	2.12	2.12	2.41	10.20 (3.90-10.90)	3.690 (0.810-4.000)	16.21	99
15+22+22+22+35	1.32	1.93	1.93	1.93	3.08	10.20 (3.90-10.90)	3.690 (0.810-4.000)	16.21	99
15+22+22+22+42	1.24	1.82	1.82	1.82	3.48	10.20 (3.90-10.90)	3.670 (0.810-3.990)	16.12	99
15+22+22+22+50	1.17	1.71	1.71	1.71	3.89	10.20 (3.90-10.90)	3.660 (0.810-3.980)	16.07	99
15+22+22+22+60	1.09	1.59	1.59	1.59	4.34	10.20 (3.90-10.90)	3.630 (0.810-3.970)	15.94	99
15+22+22+22+71	1.01	1.48	1.48	1.48	4.76	10.20 (3.90-10.90)	3.610 (0.810-3.960)	15.85	99
15+22+22+25+25	1.40	2.06	2.06	2.34	2.34	10.20 (3.90-10.90)	3.690 (0.810-4.000)	16.21	99
15+22+22+25+35	1.29	1.89	1.89	2.14	3.00	10.20 (3.90-10.90)	3.690 (0.810-4.000)	16.21	99
15+22+22+25+42	1.21	1.78	1.78	2.02	3.40	10.20 (3.90-10.90)	3.670 (0.810-3.990)	16.12	99
15+22+22+25+50	1.14	1.67	1.67	1.90	3.81	10.20 (3.90-10.90)	3.660 (0.810-3.980)	16.07	99
15+22+22+25+60	1.06	1.56	1.56	1.77	4.25	10.20 (3.90-10.90)	3.630 (0.810-3.970)	15.94	99
15+22+22+25+71	0.99	1.45	1.45	1.65	4.67	10.20 (3.90-10.90)	3.610 (0.810-3.960)	15.85	99
15+22+22+35+35	1.19	1.74	1.74	2.77	2.77	10.20 (3.90-10.90)	3.690 (0.810-4.000)	16.21	99
15+22+22+35+42	1.13	1.65	1.65	2.63	3.15	10.20 (3.90-10.90)	3.670 (0.810-3.990)	16.12	99
15+22+22+35+50	1.06	1.56	1.56	2.48	3.54	10.20 (3.90-10.90)	3.660 (0.810-3.980)	16.07	99
15+22+22+35+60	0.99	1.46	1.46	2.32	3.97	10.20 (3.90-10.90)	3.630 (0.810-3.970)	15.94	99
15+22+22+35+71	0.93	1.36	1.36	2.16	4.39	10.20 (3.90-10.90)	3.610 (0.810-3.960)	15.85	99
15+22+22+42+42	1.07	1.57	1.57	3.00	3.00	10.20 (3.90-10.90)	3.650 (0.810-3.980)	16.03	99
15+22+22+42+50	1.01	1.49	1.49	2.84	3.38	10.20 (3.90-10.90)	3.640 (0.810-3.970)	15.99	99
15+22+22+42+60	0.95	1.39	1.39	2.66	3.80	10.20 (3.90-10.90)	3.610 (0.810-3.960)	15.85	99
15+22+22+42+71	0.89	1.30	1.30	2.49	4.21	10.20 (3.90-10.90)	3.590 (0.810-3.950)	15.77	99
15+22+22+50+50	0.96	1.41	1.41	3.21	3.21	10.20 (3.90-10.90)	3.630 (0.810-3.960)	15.94	99
15+22+22+50+60	0.91	1.33	1.33	3.02	3.62	10.20 (3.90-10.90)	3.600 (0.810-3.950)	15.81	99
15+22+25+25+25	1.37	2.00	2.28	2.28	2.28	10.20 (3.90-10.90)	3.690 (0.810-4.000)	16.21	99
15+22+25+25+35	1.25	1.84	2.09	2.09	2.93	10.20 (3.90-10.90)	3.690 (0.810-4.000)	16.21	99
15+22+25+25+42	1.19	1.74	1.98	1.98	3.32	10.20 (3.90-10.90)	3.670 (0.810-3.990)	16.12	99
15+22+25+25+50	1.12	1.64	1.86	1.86	3.72	10.20 (3.90-10.90)	3.660 (0.810-3.980)	16.07	99
15+22+25+25+60	1.04	1.53	1.73	1.73	4.16	10.20 (3.90-10.90)	3.630 (0.810-3.970)	15.94	99
15+22+25+25+71	0.97	1.42	1.61	1.61	4.58	10.20 (3.90-10.90)	3.610 (0.810-3.960)	15.85	99
15+22+25+35+35	1.16	1.70	1.93	2.70	2.70	10.20 (3.90-10.90)	3.690 (0.810-4.000)	16.21	99

# MXZ-5D102VA COOLING

Indoor units combination	Cooling capacity (kW)						Outdoor unit power consumption(kW)	Current (A)	Power factor(%)
	Unit A	Unit B	Unit C	Unit D	Unit E	Total			
15+22+25+35+42	1.10	1.61	1.83	2.57	3.08	10.20 (3.90-10.90)	3.670 (0.810-3.990)	16.12	99
15+22+25+35+50	1.04	1.53	1.73	2.43	3.47	10.20 (3.90-10.90)	3.660 (0.810-3.980)	16.07	99
15+22+25+35+60	0.97	1.43	1.62	2.27	3.90	10.20 (3.90-10.90)	3.630 (0.810-3.970)	15.94	99
15+22+25+35+71	0.91	1.34	1.52	2.13	4.31	10.20 (3.90-10.90)	3.610 (0.810-3.960)	15.85	99
15+22+25+42+42	1.05	1.54	1.75	2.93	2.93	10.20 (3.90-10.90)	3.650 (0.810-3.980)	16.03	99
15+22+25+42+50	0.99	1.46	1.66	2.78	3.31	10.20 (3.90-10.90)	3.640 (0.810-3.970)	15.99	99
15+22+25+42+60	0.93	1.37	1.55	2.61	3.73	10.20 (3.90-10.90)	3.610 (0.810-3.960)	15.85	99
15+22+25+50+50	0.94	1.39	1.57	3.15	3.15	10.20 (3.90-10.90)	3.630 (0.810-3.960)	15.94	99
15+22+25+50+60	0.89	1.30	1.48	2.97	3.56	10.20 (3.90-10.90)	3.600 (0.810-3.950)	15.81	99
15+22+35+35+35	1.08	1.58	2.51	2.51	2.51	10.20 (3.90-10.90)	3.690 (0.810-4.000)	16.21	99
15+22+35+35+42	1.03	1.51	2.40	2.40	2.88	10.20 (3.90-10.90)	3.670 (0.810-3.990)	16.12	99
15+22+35+35+50	0.97	1.43	2.27	2.27	3.25	10.20 (3.90-10.90)	3.660 (0.810-3.980)	16.07	99
15+22+35+35+60	0.92	1.34	2.14	2.14	3.66	10.20 (3.90-10.90)	3.630 (0.810-3.970)	15.94	99
15+22+35+42+42	0.98	1.44	2.29	2.75	2.75	10.20 (3.90-10.90)	3.650 (0.810-3.980)	16.03	99
15+22+35+42+50	0.93	1.37	2.18	2.61	3.11	10.20 (3.90-10.90)	3.640 (0.810-3.970)	15.99	99
15+22+35+50+50	0.89	1.30	2.08	2.97	2.97	10.20 (3.90-10.90)	3.630 (0.810-3.960)	15.94	99
15+22+42+42+42	0.94	1.38	2.63	2.63	2.63	10.20 (3.90-10.90)	3.630 (0.810-3.970)	15.94	99
15+22+42+42+50	0.89	1.31	2.51	2.51	2.98	10.20 (3.90-10.90)	3.620 (0.810-3.960)	15.90	99
15+25+25+25+25	1.33	2.22	2.22	2.22	2.22	10.20 (3.90-10.90)	3.690 (0.810-4.000)	16.21	99
15+25+25+25+35	1.22	2.04	2.04	2.04	2.86	10.20 (3.90-10.90)	3.690 (0.810-4.000)	16.21	99
15+25+25+25+42	1.16	1.93	1.93	1.93	3.25	10.20 (3.90-10.90)	3.670 (0.810-3.990)	16.12	99
15+25+25+25+50	1.09	1.82	1.82	1.82	3.64	10.20 (3.90-10.90)	3.660 (0.810-3.980)	16.07	99
15+25+25+25+60	1.02	1.70	1.70	1.70	4.08	10.20 (3.90-10.90)	3.630 (0.810-3.970)	15.94	99
15+25+25+25+71	0.95	1.58	1.58	1.58	4.50	10.20 (3.90-10.90)	3.610 (0.810-3.960)	15.85	99
15+25+25+35+35	1.13	1.89	1.89	2.64	2.64	10.20 (3.90-10.90)	3.690 (0.810-4.000)	16.21	99
15+25+25+35+42	1.08	1.80	1.80	2.51	3.02	10.20 (3.90-10.90)	3.670 (0.810-3.990)	16.12	99
15+25+25+35+50	1.02	1.70	1.70	2.38	3.40	10.20 (3.90-10.90)	3.660 (0.810-3.980)	16.07	99
15+25+25+35+60	0.96	1.59	1.59	2.23	3.83	10.20 (3.90-10.90)	3.630 (0.810-3.970)	15.94	99
15+25+25+35+71	0.89	1.49	1.49	2.09	4.24	10.20 (3.90-10.90)	3.610 (0.810-3.960)	15.85	99
15+25+25+42+42	1.03	1.71	1.71	2.88	2.88	10.20 (3.90-10.90)	3.650 (0.810-3.980)	16.03	99
15+25+25+42+50	0.97	1.62	1.62	2.73	3.25	10.20 (3.90-10.90)	3.640 (0.810-3.970)	15.99	99
15+25+25+42+60	0.92	1.53	1.53	2.57	3.66	10.20 (3.90-10.90)	3.610 (0.810-3.960)	15.85	99
15+25+25+50+50	0.93	1.55	1.55	3.09	3.09	10.20 (3.90-10.90)	3.630 (0.810-3.960)	15.94	99
15+25+35+35+35	1.06	1.76	2.46	2.46	2.46	10.20 (3.90-10.90)	3.690 (0.810-4.000)	16.21	99
15+25+35+35+42	1.01	1.68	2.35	2.35	2.82	10.20 (3.90-10.90)	3.670 (0.810-3.990)	16.12	99
15+25+35+35+50	0.96	1.59	2.23	2.23	3.19	10.20 (3.90-10.90)	3.660 (0.810-3.980)	16.07	99
15+25+35+35+60	0.90	1.50	2.10	2.10	3.60	10.20 (3.90-10.90)	3.630 (0.810-3.970)	15.94	99
15+25+35+42+42	0.96	1.60	2.25	2.69	2.69	10.20 (3.90-10.90)	3.650 (0.810-3.980)	16.03	99
15+25+35+42+50	0.92	1.53	2.14	2.57	3.05	10.20 (3.90-10.90)	3.640 (0.810-3.970)	15.99	99
15+25+42+42+42	0.92	1.54	2.58	2.58	2.58	10.20 (3.90-10.90)	3.630 (0.810-3.970)	15.94	99
15+35+35+35+35	0.99	2.30	2.30	2.30	2.30	10.20 (3.90-10.90)	3.690 (0.810-4.000)	16.21	99

# MXZ-5D102VA COOLING

Indoor units combination	Cooling capacity (kW)						Outdoor unit power consumption(kW)	Current (A)	Power factor(%)
	Unit A	Unit B	Unit C	Unit D	Unit E	Total			
15+35+35+35+42	0.94	2.20	2.20	2.20	2.64	10.20 (3.90-10.90)	3.670 (0.810-3.990)	16.12	99
15+35+35+35+50	0.90	2.10	2.10	2.10	3.00	10.20 (3.90-10.90)	3.660 (0.810-3.980)	16.07	99
15+35+35+42+42	0.91	2.11	2.11	2.53	2.53	10.20 (3.90-10.90)	3.650 (0.810-3.980)	16.03	99
18+18+18+18+18	1.80	1.80	1.80	1.80	1.80	9.00 (3.90-11.00)	3.390 (0.780-4.000)	14.89	99
18+18+18+18+20	1.78	1.78	1.78	1.78	1.98	9.10 (3.90-10.90)	3.325 (0.810-3.970)	14.60	99
18+18+18+18+22	1.80	1.80	1.80	1.80	2.20	9.40 (3.90-11.00)	3.540 (0.780-4.000)	15.55	99
18+18+18+18+25	1.80	1.80	1.80	1.80	2.50	9.70 (3.90-11.00)	3.653 (0.780-4.000)	16.04	99
18+18+18+18+35	1.72	1.72	1.72	1.72	3.34	10.20 (3.90-11.00)	3.840 (0.780-4.000)	16.86	99
18+18+18+18+42	1.61	1.61	1.61	1.61	3.76	10.20 (3.90-11.00)	3.820 (0.780-3.990)	16.78	99
18+18+18+18+50	1.50	1.50	1.50	1.50	4.18	10.20 (3.90-11.00)	3.810 (0.780-3.980)	16.73	99
18+18+18+18+60	1.39	1.39	1.39	1.39	4.64	10.20 (3.90-11.00)	3.780 (0.780-3.970)	16.60	99
18+18+18+18+71	1.28	1.28	1.28	1.28	5.06	10.20 (3.90-11.00)	3.760 (0.780-3.960)	16.51	99
18+18+18+20+20	1.76	1.76	1.76	1.96	1.96	9.20 (3.90-10.80)	3.260 (0.840-3.940)	14.32	99
18+18+18+20+22	1.78	1.78	1.78	1.98	2.18	9.50 (3.90-10.90)	3.475 (0.810-3.970)	15.26	99
18+18+18+20+25	1.78	1.78	1.78	1.98	2.47	9.80 (3.90-10.90)	3.588 (0.810-3.970)	15.76	99
18+18+18+20+35	1.67	1.67	1.67	1.85	3.24	10.10 (3.90-10.90)	3.700 (0.810-3.970)	16.25	99
18+18+18+20+42	1.57	1.57	1.57	1.74	3.66	10.10 (3.90-10.90)	3.680 (0.810-3.960)	16.16	99
18+18+18+20+50	1.47	1.47	1.47	1.63	4.07	10.10 (3.90-10.90)	3.670 (0.810-3.950)	16.12	99
18+18+18+20+60	1.36	1.36	1.36	1.51	4.52	10.10 (3.90-10.90)	3.640 (0.810-3.940)	15.99	99
18+18+18+20+71	1.25	1.25	1.25	1.39	4.95	10.10 (3.90-10.90)	3.620 (0.810-3.930)	15.90	99
18+18+18+22+22	1.80	1.80	1.80	2.20	2.20	9.80 (3.90-11.00)	3.690 (0.780-4.000)	16.21	99
18+18+18+22+25	1.80	1.80	1.80	2.20	2.50	10.10 (3.90-11.00)	3.803 (0.780-4.000)	16.70	99
18+18+18+22+35	1.65	1.65	1.65	2.02	3.22	10.20 (3.90-11.00)	3.840 (0.780-4.000)	16.86	99
18+18+18+22+42	1.56	1.56	1.56	1.90	3.63	10.20 (3.90-11.00)	3.820 (0.780-3.990)	16.78	99
18+18+18+22+50	1.46	1.46	1.46	1.78	4.05	10.20 (3.90-11.00)	3.810 (0.780-3.980)	16.73	99
18+18+18+22+60	1.35	1.35	1.35	1.65	4.50	10.20 (3.90-11.00)	3.780 (0.780-3.970)	16.60	99
18+18+18+22+71	1.25	1.25	1.25	1.53	4.93	10.20 (3.90-11.00)	3.760 (0.780-3.960)	16.51	99
18+18+18+25+25	1.77	1.77	1.77	2.45	2.45	10.20 (3.90-11.00)	3.840 (0.780-4.000)	16.86	99
18+18+18+25+35	1.61	1.61	1.61	2.24	3.13	10.20 (3.90-11.00)	3.840 (0.780-4.000)	16.86	99
18+18+18+25+42	1.52	1.52	1.52	2.11	3.54	10.20 (3.90-11.00)	3.820 (0.780-3.990)	16.78	99
18+18+18+25+50	1.42	1.42	1.42	1.98	3.95	10.20 (3.90-11.00)	3.810 (0.780-3.980)	16.73	99
18+18+18+25+60	1.32	1.32	1.32	1.83	4.40	10.20 (3.90-11.00)	3.780 (0.780-3.970)	16.60	99
18+18+18+25+71	1.22	1.22	1.22	1.70	4.83	10.20 (3.90-11.00)	3.760 (0.780-3.960)	16.51	99
18+18+18+35+35	1.48	1.48	1.48	2.88	2.88	10.20 (3.90-11.00)	3.840 (0.780-4.000)	16.86	99
18+18+18+35+42	1.40	1.40	1.40	2.73	3.27	10.20 (3.90-11.00)	3.820 (0.780-3.990)	16.78	99
18+18+18+35+50	1.32	1.32	1.32	2.57	3.67	10.20 (3.90-11.00)	3.810 (0.780-3.980)	16.73	99
18+18+18+35+60	1.23	1.23	1.23	2.40	4.11	10.20 (3.90-11.00)	3.780 (0.780-3.970)	16.60	99
18+18+18+35+71	1.15	1.15	1.15	2.23	4.53	10.20 (3.90-11.00)	3.760 (0.780-3.960)	16.51	99
18+18+18+42+42	1.33	1.33	1.33	3.10	3.10	10.20 (3.90-11.00)	3.800 (0.780-3.980)	16.69	99
18+18+18+42+50	1.26	1.26	1.26	2.93	3.49	10.20 (3.90-11.00)	3.790 (0.780-3.970)	16.64	99
18+18+18+42+60	1.18	1.18	1.18	2.75	3.92	10.20 (3.90-11.00)	3.760 (0.780-3.960)	16.51	99

# MXZ-5D102VA COOLING

Indoor units combination	Cooling capacity (kW)						Outdoor unit power consumption(kW)	Current (A)	Power factor(%)
	Unit A	Unit B	Unit C	Unit D	Unit E	Total			
18+18+18+42+71	1.10	1.10	1.10	2.57	4.34	10.20 (3.90-11.00)	3.740 (0.780-3.950)	16.43	99
18+18+18+50+50	1.19	1.19	1.19	3.31	3.31	10.20 (3.90-11.00)	3.780 (0.780-3.960)	16.60	99
18+18+18+50+60	1.12	1.12	1.12	3.11	3.73	10.20 (3.90-11.00)	3.750 (0.780-3.950)	16.47	99
18+18+20+20+20	1.74	1.74	1.94	1.94	1.94	9.30 (3.90-10.70)	3.195 (0.870-3.910)	14.03	99
18+18+20+20+22	1.76	1.76	1.96	1.96	2.16	9.60 (3.90-10.80)	3.410 (0.840-3.940)	14.98	99
18+18+20+20+25	1.76	1.76	1.96	1.96	2.45	9.90 (3.90-10.80)	3.523 (0.840-3.940)	15.47	99
18+18+20+20+35	1.62	1.62	1.80	1.80	3.15	10.00 (3.90-10.80)	3.560 (0.840-3.940)	15.63	99
18+18+20+20+42	1.53	1.53	1.69	1.69	3.56	10.00 (3.90-10.80)	3.540 (0.840-3.930)	15.55	99
18+18+20+20+50	1.43	1.43	1.59	1.59	3.97	10.00 (3.90-10.80)	3.530 (0.840-3.920)	15.50	99
18+18+20+20+60	1.32	1.32	1.47	1.47	4.41	10.00 (3.90-10.80)	3.500 (0.840-3.910)	15.37	99
18+18+20+20+71	1.22	1.22	1.36	1.36	4.83	10.00 (3.90-10.80)	3.480 (0.840-3.900)	15.28	99
18+18+20+22+22	1.78	1.78	1.98	2.18	2.18	9.90 (3.90-10.90)	3.625 (0.810-3.970)	15.92	99
18+18+20+22+25	1.77	1.77	1.96	2.16	2.45	10.10 (3.90-10.90)	3.700 (0.810-3.970)	16.25	99
18+18+20+22+35	1.61	1.61	1.79	1.97	3.13	10.10 (3.90-10.90)	3.700 (0.810-3.970)	16.25	99
18+18+20+22+42	1.52	1.52	1.68	1.85	3.54	10.10 (3.90-10.90)	3.680 (0.810-3.960)	16.16	99
18+18+20+22+50	1.42	1.42	1.58	1.74	3.95	10.10 (3.90-10.90)	3.670 (0.810-3.950)	16.12	99
18+18+20+22+60	1.32	1.32	1.46	1.61	4.39	10.10 (3.90-10.90)	3.640 (0.810-3.940)	15.99	99
18+18+20+22+71	1.22	1.22	1.36	1.49	4.81	10.10 (3.90-10.90)	3.620 (0.810-3.930)	15.90	99
18+18+20+25+25	1.72	1.72	1.91	2.38	2.38	10.10 (3.90-10.90)	3.700 (0.810-3.970)	16.25	99
18+18+20+25+35	1.57	1.57	1.74	2.18	3.05	10.10 (3.90-10.90)	3.700 (0.810-3.970)	16.25	99
18+18+20+25+42	1.48	1.48	1.64	2.05	3.45	10.10 (3.90-10.90)	3.680 (0.810-3.960)	16.16	99
18+18+20+25+50	1.39	1.39	1.54	1.93	3.85	10.10 (3.90-10.90)	3.670 (0.810-3.950)	16.12	99
18+18+20+25+60	1.29	1.29	1.43	1.79	4.30	10.10 (3.90-10.90)	3.640 (0.810-3.940)	15.99	99
18+18+20+25+71	1.20	1.20	1.33	1.66	4.72	10.10 (3.90-10.90)	3.620 (0.810-3.930)	15.90	99
18+18+20+35+35	1.44	1.44	1.60	2.81	2.81	10.10 (3.90-10.90)	3.700 (0.810-3.970)	16.25	99
18+18+20+35+42	1.37	1.37	1.52	2.66	3.19	10.10 (3.90-10.90)	3.680 (0.810-3.960)	16.16	99
18+18+20+35+50	1.29	1.29	1.43	2.51	3.58	10.10 (3.90-10.90)	3.670 (0.810-3.950)	16.12	99
18+18+20+35+60	1.20	1.20	1.34	2.34	4.01	10.10 (3.90-10.90)	3.640 (0.810-3.940)	15.99	99
18+18+20+35+71	1.12	1.12	1.25	2.18	4.43	10.10 (3.90-10.90)	3.620 (0.810-3.930)	15.90	99
18+18+20+42+42	1.30	1.30	1.44	3.03	3.03	10.10 (3.90-10.90)	3.660 (0.810-3.950)	16.07	99
18+18+20+42+50	1.23	1.23	1.36	2.87	3.41	10.10 (3.90-10.90)	3.650 (0.810-3.940)	16.03	99
18+18+20+42+60	1.15	1.15	1.28	2.68	3.84	10.10 (3.90-10.90)	3.620 (0.810-3.930)	15.90	99
18+18+20+42+71	1.08	1.08	1.20	2.51	4.24	10.10 (3.90-10.90)	3.600 (0.810-3.920)	15.81	99
18+18+20+50+50	1.17	1.17	1.29	3.24	3.24	10.10 (3.90-10.90)	3.640 (0.810-3.930)	15.99	99
18+18+20+50+60	1.10	1.10	1.22	3.04	3.65	10.10 (3.90-10.90)	3.610 (0.810-3.920)	15.85	99
18+18+22+22+22	1.80	1.80	2.20	2.20	2.20	10.20 (3.90-11.00)	3.840 (0.780-4.000)	16.86	99
18+18+22+22+25	1.75	1.75	2.14	2.14	2.43	10.20 (3.90-11.00)	3.840 (0.780-4.000)	16.86	99
18+18+22+22+35	1.60	1.60	1.95	1.95	3.10	10.20 (3.90-11.00)	3.840 (0.780-4.000)	16.86	99
18+18+22+22+42	1.50	1.50	1.84	1.84	3.51	10.20 (3.90-11.00)	3.820 (0.780-3.990)	16.78	99
18+18+22+22+50	1.41	1.41	1.73	1.73	3.92	10.20 (3.90-11.00)	3.810 (0.780-3.980)	16.73	99
18+18+22+22+60	1.31	1.31	1.60	1.60	4.37	10.20 (3.90-11.00)	3.780 (0.780-3.970)	16.60	99

# MXZ-5D102VA COOLING

Indoor units combination	Cooling capacity (kW)						Outdoor unit power consumption(kW)	Current (A)	Power factor(%)
	Unit A	Unit B	Unit C	Unit D	Unit E	Total			
18+18+22+22+71	1.22	1.22	1.49	1.49	4.80	10.20 (3.90-11.00)	3.760 (0.780-3.960)	16.51	99
18+18+22+25+25	1.70	1.70	2.08	2.36	2.36	10.20 (3.90-11.00)	3.840 (0.780-4.000)	16.86	99
18+18+22+25+35	1.56	1.56	1.90	2.16	3.03	10.20 (3.90-11.00)	3.840 (0.780-4.000)	16.86	99
18+18+22+25+42	1.47	1.47	1.80	2.04	3.43	10.20 (3.90-11.00)	3.820 (0.780-3.990)	16.78	99
18+18+22+25+50	1.38	1.38	1.69	1.92	3.83	10.20 (3.90-11.00)	3.810 (0.780-3.980)	16.73	99
18+18+22+25+60	1.28	1.28	1.57	1.78	4.28	10.20 (3.90-11.00)	3.780 (0.780-3.970)	16.60	99
18+18+22+25+71	1.19	1.19	1.46	1.66	4.70	10.20 (3.90-11.00)	3.760 (0.780-3.960)	16.51	99
18+18+22+35+35	1.43	1.43	1.75	2.79	2.79	10.20 (3.90-11.00)	3.840 (0.780-4.000)	16.86	99
18+18+22+35+42	1.36	1.36	1.66	2.64	3.17	10.20 (3.90-11.00)	3.820 (0.780-3.990)	16.78	99
18+18+22+35+50	1.28	1.28	1.57	2.50	3.57	10.20 (3.90-11.00)	3.810 (0.780-3.980)	16.73	99
18+18+22+35+60	1.20	1.20	1.47	2.33	4.00	10.20 (3.90-11.00)	3.780 (0.780-3.970)	16.60	99
18+18+22+35+71	1.12	1.12	1.37	2.18	4.42	10.20 (3.90-11.00)	3.760 (0.780-3.960)	16.51	99
18+18+22+42+42	1.29	1.29	1.58	3.02	3.02	10.20 (3.90-11.00)	3.800 (0.780-3.980)	16.69	99
18+18+22+42+50	1.22	1.22	1.50	2.86	3.40	10.20 (3.90-11.00)	3.790 (0.780-3.970)	16.64	99
18+18+22+42+60	1.15	1.15	1.40	2.68	3.83	10.20 (3.90-11.00)	3.760 (0.780-3.960)	16.51	99
18+18+22+42+71	1.07	1.07	1.31	2.51	4.24	10.20 (3.90-11.00)	3.740 (0.780-3.950)	16.43	99
18+18+22+50+50	1.16	1.16	1.42	3.23	3.23	10.20 (3.90-11.00)	3.780 (0.780-3.960)	16.60	99
18+18+22+50+60	1.09	1.09	1.34	3.04	3.64	10.20 (3.90-11.00)	3.750 (0.780-3.950)	16.47	99
18+18+25+25+25	1.65	1.65	2.30	2.30	2.30	10.20 (3.90-11.00)	3.840 (0.780-4.000)	16.86	99
18+18+25+25+35	1.52	1.52	2.11	2.11	2.95	10.20 (3.90-11.00)	3.840 (0.780-4.000)	16.86	99
18+18+25+25+42	1.43	1.43	1.99	1.99	3.35	10.20 (3.90-11.00)	3.820 (0.780-3.990)	16.78	99
18+18+25+25+50	1.35	1.35	1.88	1.88	3.75	10.20 (3.90-11.00)	3.810 (0.780-3.980)	16.73	99
18+18+25+25+60	1.26	1.26	1.75	1.75	4.19	10.20 (3.90-11.00)	3.780 (0.780-3.970)	16.60	99
18+18+25+25+71	1.17	1.17	1.62	1.62	4.61	10.20 (3.90-11.00)	3.760 (0.780-3.960)	16.51	99
18+18+25+35+35	1.40	1.40	1.95	2.73	2.73	10.20 (3.90-11.00)	3.840 (0.780-4.000)	16.86	99
18+18+25+35+42	1.33	1.33	1.85	2.59	3.10	10.20 (3.90-11.00)	3.820 (0.780-3.990)	16.78	99
18+18+25+35+50	1.26	1.26	1.75	2.45	3.49	10.20 (3.90-11.00)	3.810 (0.780-3.980)	16.73	99
18+18+25+35+60	1.18	1.18	1.63	2.29	3.92	10.20 (3.90-11.00)	3.780 (0.780-3.970)	16.60	99
18+18+25+35+71	1.10	1.10	1.53	2.14	4.34	10.20 (3.90-11.00)	3.760 (0.780-3.960)	16.51	99
18+18+25+42+42	1.27	1.27	1.76	2.95	2.95	10.20 (3.90-11.00)	3.800 (0.780-3.980)	16.69	99
18+18+25+42+50	1.20	1.20	1.67	2.80	3.33	10.20 (3.90-11.00)	3.790 (0.780-3.970)	16.64	99
18+18+25+42+60	1.13	1.13	1.56	2.63	3.75	10.20 (3.90-11.00)	3.760 (0.780-3.960)	16.51	99
18+18+25+50+50	1.14	1.14	1.58	3.17	3.17	10.20 (3.90-11.00)	3.780 (0.780-3.960)	16.60	99
18+18+25+50+60	1.07	1.07	1.49	2.98	3.58	10.20 (3.90-11.00)	3.750 (0.780-3.950)	16.47	99
18+18+35+35+35	1.30	1.30	2.53	2.53	2.53	10.20 (3.90-11.00)	3.840 (0.780-4.000)	16.86	99
18+18+35+35+42	1.24	1.24	2.41	2.41	2.89	10.20 (3.90-11.00)	3.820 (0.780-3.990)	16.78	99
18+18+35+35+50	1.18	1.18	2.29	2.29	3.27	10.20 (3.90-11.00)	3.810 (0.780-3.980)	16.73	99
18+18+35+35+60	1.11	1.11	2.15	2.15	3.69	10.20 (3.90-11.00)	3.780 (0.780-3.970)	16.60	99
18+18+35+42+42	1.18	1.18	2.30	2.76	2.76	10.20 (3.90-11.00)	3.800 (0.780-3.980)	16.69	99
18+18+35+42+50	1.13	1.13	2.19	2.63	3.13	10.20 (3.90-11.00)	3.790 (0.780-3.970)	16.64	99
18+18+35+50+50	1.07	1.07	2.09	2.98	2.98	10.20 (3.90-11.00)	3.780 (0.780-3.960)	16.60	99

# MXZ-5D102VA COOLING

Indoor units combination	Cooling capacity (kW)						Outdoor unit power consumption(kW)	Current (A)	Power factor(%)
	Unit A	Unit B	Unit C	Unit D	Unit E	Total			
18+18+42+42+42	1.13	1.13	2.64	2.64	2.64	10.20 (3.90-11.00)	3.780 (0.780-3.970)	16.60	99
18+18+42+42+50	1.08	1.08	2.52	2.52	3.00	10.20 (3.90-11.00)	3.770 (0.780-3.960)	16.56	99
18+20+20+20+20	1.73	1.92	1.92	1.92	1.92	9.40 (3.90-10.60)	3.130 (0.900-3.880)	13.75	99
18+20+20+20+22	1.75	1.94	1.94	1.94	2.13	9.70 (3.90-10.70)	3.345 (0.870-3.910)	14.69	99
18+20+20+20+25	1.73	1.92	1.92	1.92	2.40	9.90 (3.90-10.70)	3.420 (0.870-3.910)	15.02	99
18+20+20+20+35	1.58	1.75	1.75	1.75	3.07	9.90 (3.90-10.70)	3.420 (0.870-3.910)	15.02	99
18+20+20+20+42	1.49	1.65	1.65	1.65	3.47	9.90 (3.90-10.70)	3.400 (0.870-3.900)	14.93	99
18+20+20+20+50	1.39	1.55	1.55	1.55	3.87	9.90 (3.90-10.70)	3.390 (0.870-3.890)	14.89	99
18+20+20+20+60	1.29	1.43	1.43	1.43	4.30	9.90 (3.90-10.70)	3.360 (0.870-3.880)	14.76	99
18+20+20+20+71	1.20	1.33	1.33	1.33	4.72	9.90 (3.90-10.70)	3.340 (0.870-3.870)	14.67	99
18+20+20+22+25	1.71	1.90	1.90	2.10	2.38	10.00 (3.90-10.80)	3.560 (0.840-3.940)	15.63	99
18+20+20+22+35	1.57	1.74	1.74	1.91	3.04	10.00 (3.90-10.80)	3.560 (0.840-3.940)	15.63	99
18+20+20+22+42	1.48	1.64	1.64	1.80	3.44	10.00 (3.90-10.80)	3.540 (0.840-3.930)	15.55	99
18+20+20+22+50	1.38	1.54	1.54	1.69	3.85	10.00 (3.90-10.80)	3.530 (0.840-3.920)	15.50	99
18+20+20+22+60	1.29	1.43	1.43	1.57	4.29	10.00 (3.90-10.80)	3.500 (0.840-3.910)	15.37	99
18+20+20+22+71	1.19	1.32	1.32	1.46	4.70	10.00 (3.90-10.80)	3.480 (0.840-3.900)	15.28	99
18+20+20+25+25	1.67	1.85	1.85	2.31	2.31	10.00 (3.90-10.80)	3.560 (0.840-3.940)	15.63	99
18+20+20+25+35	1.53	1.69	1.69	2.12	2.97	10.00 (3.90-10.80)	3.560 (0.840-3.940)	15.63	99
18+20+20+25+42	1.44	1.60	1.60	2.00	3.36	10.00 (3.90-10.80)	3.540 (0.840-3.930)	15.55	99
18+20+20+25+50	1.35	1.50	1.50	1.88	3.76	10.00 (3.90-10.80)	3.530 (0.840-3.920)	15.50	99
18+20+20+25+60	1.26	1.40	1.40	1.75	4.20	10.00 (3.90-10.80)	3.500 (0.840-3.910)	15.37	99
18+20+20+25+71	1.17	1.30	1.30	1.62	4.61	10.00 (3.90-10.80)	3.480 (0.840-3.900)	15.28	99
18+20+20+35+35	1.41	1.56	1.56	2.73	2.73	10.00 (3.90-10.80)	3.560 (0.840-3.940)	15.63	99
18+20+20+35+42	1.33	1.48	1.48	2.59	3.11	10.00 (3.90-10.80)	3.540 (0.840-3.930)	15.55	99
18+20+20+35+50	1.26	1.40	1.40	2.45	3.50	10.00 (3.90-10.80)	3.530 (0.840-3.920)	15.50	99
18+20+20+35+60	1.18	1.31	1.31	2.29	3.92	10.00 (3.90-10.80)	3.500 (0.840-3.910)	15.37	99
18+20+20+35+71	1.10	1.22	1.22	2.13	4.33	10.00 (3.90-10.80)	3.480 (0.840-3.900)	15.28	99
18+20+20+42+42	1.27	1.41	1.41	2.96	2.96	10.00 (3.90-10.80)	3.520 (0.840-3.920)	15.46	99
18+20+20+42+50	1.20	1.33	1.33	2.80	3.33	10.00 (3.90-10.80)	3.510 (0.840-3.910)	15.42	99
18+20+20+42+60	1.13	1.25	1.25	2.63	3.75	10.00 (3.90-10.80)	3.480 (0.840-3.900)	15.28	99
18+20+20+42+71	1.05	1.17	1.17	2.46	4.15	10.00 (3.90-10.80)	3.460 (0.840-3.890)	15.20	99
18+20+20+50+50	1.14	1.27	1.27	3.16	3.16	10.00 (3.90-10.80)	3.500 (0.840-3.900)	15.37	99
18+20+20+50+60	1.07	1.19	1.19	2.98	3.57	10.00 (3.90-10.80)	3.470 (0.840-3.890)	15.24	99
18+20+22+22+22	1.75	1.94	2.14	2.14	2.14	10.10 (3.90-10.90)	3.700 (0.810-3.970)	16.25	99
18+20+22+22+25	1.70	1.89	2.08	2.08	2.36	10.10 (3.90-10.90)	3.700 (0.810-3.970)	16.25	99
18+20+22+22+35	1.55	1.73	1.90	1.90	3.02	10.10 (3.90-10.90)	3.700 (0.810-3.970)	16.25	99
18+20+22+22+42	1.47	1.63	1.79	1.79	3.42	10.10 (3.90-10.90)	3.680 (0.810-3.960)	16.16	99
18+20+22+22+50	1.38	1.53	1.68	1.68	3.83	10.10 (3.90-10.90)	3.670 (0.810-3.950)	16.12	99
18+20+22+22+60	1.28	1.42	1.56	1.56	4.27	10.10 (3.90-10.90)	3.640 (0.810-3.940)	15.99	99
18+20+22+22+71	1.19	1.32	1.45	1.45	4.69	10.10 (3.90-10.90)	3.620 (0.810-3.930)	15.90	99
18+20+22+25+25	1.65	1.84	2.02	2.30	2.30	10.10 (3.90-10.90)	3.700 (0.810-3.970)	16.25	99

# MXZ-5D102VA COOLING

Indoor units combination	Cooling capacity (kW)						Outdoor unit power consumption(kW)	Current (A)	Power factor(%)
	Unit A	Unit B	Unit C	Unit D	Unit E	Total			
18+20+22+25+35	1.52	1.68	1.85	2.10	2.95	10.10 (3.90-10.90)	3.700 (0.810-3.970)	16.25	99
18+20+22+25+42	1.43	1.59	1.75	1.99	3.34	10.10 (3.90-10.90)	3.680 (0.810-3.960)	16.16	99
18+20+22+25+50	1.35	1.50	1.65	1.87	3.74	10.10 (3.90-10.90)	3.670 (0.810-3.950)	16.12	99
18+20+22+25+60	1.25	1.39	1.53	1.74	4.18	10.10 (3.90-10.90)	3.640 (0.810-3.940)	15.99	99
18+20+22+25+71	1.17	1.29	1.42	1.62	4.60	10.10 (3.90-10.90)	3.620 (0.810-3.930)	15.90	99
18+20+22+35+35	1.40	1.55	1.71	2.72	2.72	10.10 (3.90-10.90)	3.700 (0.810-3.970)	16.25	99
18+20+22+35+42	1.33	1.47	1.62	2.58	3.10	10.10 (3.90-10.90)	3.680 (0.810-3.960)	16.16	99
18+20+22+35+50	1.25	1.39	1.53	2.44	3.48	10.10 (3.90-10.90)	3.670 (0.810-3.950)	16.12	99
18+20+22+35+60	1.17	1.30	1.43	2.28	3.91	10.10 (3.90-10.90)	3.640 (0.810-3.940)	15.99	99
18+20+22+35+71	1.10	1.22	1.34	2.13	4.32	10.10 (3.90-10.90)	3.620 (0.810-3.930)	15.90	99
18+20+22+42+42	1.26	1.40	1.54	2.95	2.95	10.10 (3.90-10.90)	3.660 (0.810-3.950)	16.07	99
18+20+22+42+50	1.20	1.33	1.46	2.79	3.32	10.10 (3.90-10.90)	3.650 (0.810-3.940)	16.03	99
18+20+22+42+60	1.12	1.25	1.37	2.62	3.74	10.10 (3.90-10.90)	3.620 (0.810-3.930)	15.90	99
18+20+22+50+50	1.14	1.26	1.39	3.16	3.16	10.10 (3.90-10.90)	3.640 (0.810-3.930)	15.99	99
18+20+22+50+60	1.07	1.19	1.31	2.97	3.56	10.10 (3.90-10.90)	3.610 (0.810-3.920)	15.85	99
18+20+25+25+25	1.61	1.79	2.23	2.23	2.23	10.10 (3.90-10.90)	3.700 (0.810-3.970)	16.25	99
18+20+25+25+35	1.48	1.64	2.05	2.05	2.87	10.10 (3.90-10.90)	3.700 (0.810-3.970)	16.25	99
18+20+25+25+42	1.40	1.55	1.94	1.94	3.26	10.10 (3.90-10.90)	3.680 (0.810-3.960)	16.16	99
18+20+25+25+50	1.32	1.46	1.83	1.83	3.66	10.10 (3.90-10.90)	3.670 (0.810-3.950)	16.12	99
18+20+25+25+60	1.23	1.36	1.71	1.71	4.09	10.10 (3.90-10.90)	3.640 (0.810-3.940)	15.99	99
18+20+25+25+71	1.14	1.27	1.59	1.59	4.51	10.10 (3.90-10.90)	3.620 (0.810-3.930)	15.90	99
18+20+25+35+35	1.37	1.52	1.90	2.66	2.66	10.10 (3.90-10.90)	3.700 (0.810-3.970)	16.25	99
18+20+25+35+42	1.30	1.44	1.80	2.53	3.03	10.10 (3.90-10.90)	3.680 (0.810-3.960)	16.16	99
18+20+25+35+50	1.23	1.36	1.71	2.39	3.41	10.10 (3.90-10.90)	3.670 (0.810-3.950)	16.12	99
18+20+25+35+60	1.15	1.28	1.60	2.24	3.84	10.10 (3.90-10.90)	3.640 (0.810-3.940)	15.99	99
18+20+25+35+71	1.08	1.20	1.49	2.09	4.24	10.10 (3.90-10.90)	3.620 (0.810-3.930)	15.90	99
18+20+25+42+42	1.24	1.37	1.72	2.89	2.89	10.10 (3.90-10.90)	3.660 (0.810-3.950)	16.07	99
18+20+25+42+50	1.17	1.30	1.63	2.74	3.26	10.10 (3.90-10.90)	3.650 (0.810-3.940)	16.03	99
18+20+25+42+60	1.10	1.22	1.53	2.57	3.67	10.10 (3.90-10.90)	3.620 (0.810-3.930)	15.90	99
18+20+25+50+50	1.12	1.24	1.55	3.10	3.10	10.10 (3.90-10.90)	3.640 (0.810-3.930)	15.99	99
18+20+35+35+35	1.27	1.41	2.47	2.47	2.47	10.10 (3.90-10.90)	3.700 (0.810-3.970)	16.25	99
18+20+35+35+42	1.21	1.35	2.36	2.36	2.83	10.10 (3.90-10.90)	3.680 (0.810-3.960)	16.16	99
18+20+35+35+50	1.15	1.28	2.24	2.24	3.20	10.10 (3.90-10.90)	3.670 (0.810-3.950)	16.12	99
18+20+35+35+60	1.08	1.20	2.10	2.10	3.61	10.10 (3.90-10.90)	3.640 (0.810-3.940)	15.99	99
18+20+35+42+42	1.16	1.29	2.25	2.70	2.70	10.10 (3.90-10.90)	3.660 (0.810-3.950)	16.07	99
18+20+35+42+50	1.10	1.22	2.14	2.57	3.06	10.10 (3.90-10.90)	3.650 (0.810-3.940)	16.03	99
18+20+42+42+42	1.11	1.23	2.59	2.59	2.59	10.10 (3.90-10.90)	3.640 (0.810-3.940)	15.99	99
18+20+42+42+50	1.06	1.17	2.47	2.47	2.94	10.10 (3.90-10.90)	3.630 (0.810-3.930)	15.94	99
18+22+22+22+22	1.73	2.12	2.12	2.12	2.12	10.20 (3.90-11.00)	3.840 (0.780-4.000)	16.86	99
18+22+22+22+25	1.68	2.06	2.06	2.06	2.34	10.20 (3.90-11.00)	3.840 (0.780-4.000)	16.86	99
18+22+22+22+35	1.54	1.89	1.89	1.89	3.00	10.20 (3.90-11.00)	3.840 (0.780-4.000)	16.86	99



# MXZ-5D102VA COOLING

Indoor units combination	Cooling capacity (kW)					Outdoor unit power consumption(kW)	Current (A)	Power factor(%)	
	Unit A	Unit B	Unit C	Unit D	Unit E				Total
18+22+22+22+42	1.46	1.78	1.78	1.78	3.40	10.20 (3.90-11.00)	3.820 (0.780-3.990)	16.78	99
18+22+22+22+50	1.37	1.67	1.67	1.67	3.81	10.20 (3.90-11.00)	3.810 (0.780-3.980)	16.73	99
18+22+22+22+60	1.28	1.56	1.56	1.56	4.25	10.20 (3.90-11.00)	3.780 (0.780-3.970)	16.60	99
18+22+22+22+71	1.18	1.45	1.45	1.45	4.67	10.20 (3.90-11.00)	3.760 (0.780-3.960)	16.51	99
18+22+22+25+25	1.64	2.00	2.00	2.28	2.28	10.20 (3.90-11.00)	3.840 (0.780-4.000)	16.86	99
18+22+22+25+35	1.50	1.84	1.84	2.09	2.93	10.20 (3.90-11.00)	3.840 (0.780-4.000)	16.86	99
18+22+22+25+42	1.42	1.74	1.74	1.98	3.32	10.20 (3.90-11.00)	3.820 (0.780-3.990)	16.78	99
18+22+22+25+50	1.34	1.64	1.64	1.86	3.72	10.20 (3.90-11.00)	3.810 (0.780-3.980)	16.73	99
18+22+22+25+60	1.25	1.53	1.53	1.73	4.16	10.20 (3.90-11.00)	3.780 (0.780-3.970)	16.60	99
18+22+22+25+71	1.16	1.42	1.42	1.61	4.58	10.20 (3.90-11.00)	3.760 (0.780-3.960)	16.51	99
18+22+22+35+35	1.39	1.70	1.70	2.70	2.70	10.20 (3.90-11.00)	3.840 (0.780-4.000)	16.86	99
18+22+22+35+42	1.32	1.61	1.61	2.57	3.08	10.20 (3.90-11.00)	3.820 (0.780-3.990)	16.78	99
18+22+22+35+50	1.25	1.53	1.53	2.43	3.47	10.20 (3.90-11.00)	3.810 (0.780-3.980)	16.73	99
18+22+22+35+60	1.17	1.43	1.43	2.27	3.90	10.20 (3.90-11.00)	3.780 (0.780-3.970)	16.60	99
18+22+22+35+71	1.09	1.34	1.34	2.13	4.31	10.20 (3.90-11.00)	3.760 (0.780-3.960)	16.51	99
18+22+22+42+42	1.26	1.54	1.54	2.93	2.93	10.20 (3.90-11.00)	3.800 (0.780-3.980)	16.69	99
18+22+22+42+50	1.19	1.46	1.46	2.78	3.31	10.20 (3.90-11.00)	3.790 (0.780-3.970)	16.64	99
18+22+22+42+60	1.12	1.37	1.37	2.61	3.73	10.20 (3.90-11.00)	3.760 (0.780-3.960)	16.51	99
18+22+22+50+50	1.13	1.39	1.39	3.15	3.15	10.20 (3.90-11.00)	3.780 (0.780-3.960)	16.60	99
18+22+22+50+60	1.07	1.30	1.30	2.97	3.56	10.20 (3.90-11.00)	3.750 (0.780-3.950)	16.47	99
18+22+25+25+25	1.60	1.95	2.22	2.22	2.22	10.20 (3.90-11.00)	3.840 (0.780-4.000)	16.86	99
18+22+25+25+35	1.47	1.80	2.04	2.04	2.86	10.20 (3.90-11.00)	3.840 (0.780-4.000)	16.86	99
18+22+25+25+42	1.39	1.70	1.93	1.93	3.25	10.20 (3.90-11.00)	3.820 (0.780-3.990)	16.78	99
18+22+25+25+50	1.31	1.60	1.82	1.82	3.64	10.20 (3.90-11.00)	3.810 (0.780-3.980)	16.73	99
18+22+25+25+60	1.22	1.50	1.70	1.70	4.08	10.20 (3.90-11.00)	3.780 (0.780-3.970)	16.60	99
18+22+25+25+71	1.14	1.39	1.58	1.58	4.50	10.20 (3.90-11.00)	3.760 (0.780-3.960)	16.51	99
18+22+25+35+35	1.36	1.66	1.89	2.64	2.64	10.20 (3.90-11.00)	3.840 (0.780-4.000)	16.86	99
18+22+25+35+42	1.29	1.58	1.80	2.51	3.02	10.20 (3.90-11.00)	3.820 (0.780-3.990)	16.78	99
18+22+25+35+50	1.22	1.50	1.70	2.38	3.40	10.20 (3.90-11.00)	3.810 (0.780-3.980)	16.73	99
18+22+25+35+60	1.15	1.40	1.59	2.23	3.83	10.20 (3.90-11.00)	3.780 (0.780-3.970)	16.60	99
18+22+25+35+71	1.07	1.31	1.49	2.09	4.24	10.20 (3.90-11.00)	3.760 (0.780-3.960)	16.51	99
18+22+25+42+42	1.23	1.51	1.71	2.88	2.88	10.20 (3.90-11.00)	3.800 (0.780-3.980)	16.69	99
18+22+25+42+50	1.17	1.43	1.62	2.73	3.25	10.20 (3.90-11.00)	3.790 (0.780-3.970)	16.64	99
18+22+25+42+60	1.10	1.34	1.53	2.57	3.66	10.20 (3.90-11.00)	3.760 (0.780-3.960)	16.51	99
18+22+25+50+50	1.11	1.36	1.55	3.09	3.09	10.20 (3.90-11.00)	3.780 (0.780-3.960)	16.60	99
18+22+35+35+35	1.27	1.55	2.46	2.46	2.46	10.20 (3.90-11.00)	3.840 (0.780-4.000)	16.86	99
18+22+35+35+42	1.21	1.48	2.35	2.35	2.82	10.20 (3.90-11.00)	3.820 (0.780-3.990)	16.78	99
18+22+35+35+50	1.15	1.40	2.23	2.23	3.19	10.20 (3.90-11.00)	3.810 (0.780-3.980)	16.73	99
18+22+35+35+60	1.08	1.32	2.10	2.10	3.60	10.20 (3.90-11.00)	3.780 (0.780-3.970)	16.60	99
18+22+35+42+42	1.15	1.41	2.25	2.69	2.69	10.20 (3.90-11.00)	3.800 (0.780-3.980)	16.69	99
18+22+35+42+50	1.10	1.34	2.14	2.57	3.05	10.20 (3.90-11.00)	3.790 (0.780-3.970)	16.64	99

# MXZ-5D102VA COOLING

Indoor units combination	Cooling capacity (kW)						Outdoor unit power consumption(kW)	Current (A)	Power factor(%)
	Unit A	Unit B	Unit C	Unit D	Unit E	Total			
18+22+42+42+42	1.11	1.35	2.58	2.58	2.58	10.20 (3.90-11.00)	3.780 (0.780-3.970)	16.60	99
18+25+25+25+25	1.56	2.16	2.16	2.16	2.16	10.20 (3.90-11.00)	3.840 (0.780-4.000)	16.86	99
18+25+25+25+35	1.43	1.99	1.99	1.99	2.79	10.20 (3.90-11.00)	3.840 (0.780-4.000)	16.86	99
18+25+25+25+42	1.36	1.89	1.89	1.89	3.17	10.20 (3.90-11.00)	3.820 (0.780-3.990)	16.78	99
18+25+25+25+50	1.28	1.78	1.78	1.78	3.57	10.20 (3.90-11.00)	3.810 (0.780-3.980)	16.73	99
18+25+25+25+60	1.20	1.67	1.67	1.67	4.00	10.20 (3.90-11.00)	3.780 (0.780-3.970)	16.60	99
18+25+25+25+71	1.12	1.55	1.55	1.55	4.42	10.20 (3.90-11.00)	3.760 (0.780-3.960)	16.51	99
18+25+25+35+35	1.33	1.85	1.85	2.59	2.59	10.20 (3.90-11.00)	3.840 (0.780-4.000)	16.86	99
18+25+25+35+42	1.27	1.76	1.76	2.46	2.95	10.20 (3.90-11.00)	3.820 (0.780-3.990)	16.78	99
18+25+25+35+50	1.20	1.67	1.67	2.33	3.33	10.20 (3.90-11.00)	3.810 (0.780-3.980)	16.73	99
18+25+25+35+60	1.13	1.56	1.56	2.19	3.75	10.20 (3.90-11.00)	3.780 (0.780-3.970)	16.60	99
18+25+25+42+42	1.21	1.68	1.68	2.82	2.82	10.20 (3.90-11.00)	3.800 (0.780-3.980)	16.69	99
18+25+25+42+50	1.15	1.59	1.59	2.68	3.19	10.20 (3.90-11.00)	3.790 (0.780-3.970)	16.64	99
18+25+25+42+60	1.08	1.50	1.50	2.52	3.60	10.20 (3.90-11.00)	3.760 (0.780-3.960)	16.51	99
18+25+25+50+50	1.09	1.52	1.52	3.04	3.04	10.20 (3.90-11.00)	3.780 (0.780-3.960)	16.60	99
18+25+35+35+35	1.24	1.72	2.41	2.41	2.41	10.20 (3.90-11.00)	3.840 (0.780-4.000)	16.86	99
18+25+35+35+42	1.18	1.65	2.30	2.30	2.76	10.20 (3.90-11.00)	3.820 (0.780-3.990)	16.78	99
18+25+35+35+50	1.13	1.56	2.19	2.19	3.13	10.20 (3.90-11.00)	3.810 (0.780-3.980)	16.73	99
18+25+35+42+42	1.13	1.57	2.20	2.64	2.64	10.20 (3.90-11.00)	3.800 (0.780-3.980)	16.69	99
18+25+35+42+50	1.08	1.50	2.10	2.52	3.00	10.20 (3.90-11.00)	3.790 (0.780-3.970)	16.64	99
18+25+42+42+42	1.09	1.51	2.53	2.53	2.53	10.20 (3.90-11.00)	3.780 (0.780-3.970)	16.60	99
18+35+35+35+35	1.16	2.26	2.26	2.26	2.26	10.20 (3.90-11.00)	3.840 (0.780-4.000)	16.86	99
18+35+35+35+42	1.11	2.16	2.16	2.16	2.60	10.20 (3.90-11.00)	3.820 (0.780-3.990)	16.78	99
18+35+35+42+42	1.07	2.08	2.08	2.49	2.49	10.20 (3.90-11.00)	3.800 (0.780-3.980)	16.69	99
20+20+20+20+20	1.90	1.90	1.90	1.90	1.90	9.50 (3.90-10.50)	3.065 (0.930-3.850)	13.46	99
20+20+20+20+25	1.87	1.87	1.87	1.87	2.33	9.80 (3.90-10.60)	3.280 (0.900-3.880)	14.40	99
20+20+20+20+35	1.70	1.70	1.70	1.70	2.98	9.80 (3.90-10.60)	3.280 (0.900-3.880)	14.40	99
20+20+20+20+42	1.61	1.61	1.61	1.61	3.37	9.80 (3.90-10.60)	3.260 (0.900-3.870)	14.32	99
20+20+20+20+50	1.51	1.51	1.51	1.51	3.77	9.80 (3.90-10.60)	3.250 (0.900-3.860)	14.27	99
20+20+20+20+60	1.40	1.40	1.40	1.40	4.20	9.80 (3.90-10.60)	3.220 (0.900-3.850)	14.14	99
20+20+20+20+71	1.30	1.30	1.30	1.30	4.61	9.80 (3.90-10.60)	3.200 (0.900-3.840)	14.05	99
20+20+20+22+22	1.90	1.90	1.90	2.09	2.09	9.90 (3.90-10.70)	3.420 (0.870-3.910)	15.02	99
20+20+20+22+25	1.85	1.85	1.85	2.04	2.31	9.90 (3.90-10.70)	3.420 (0.870-3.910)	15.02	99
20+20+20+22+35	1.69	1.69	1.69	1.86	2.96	9.90 (3.90-10.70)	3.420 (0.870-3.910)	15.02	99
20+20+20+22+42	1.60	1.60	1.60	1.76	3.35	9.90 (3.90-10.70)	3.400 (0.870-3.900)	14.93	99
20+20+20+22+50	1.50	1.50	1.50	1.65	3.75	9.90 (3.90-10.70)	3.390 (0.870-3.890)	14.89	99
20+20+20+22+60	1.39	1.39	1.39	1.53	4.18	9.90 (3.90-10.70)	3.360 (0.870-3.880)	14.76	99
20+20+20+22+71	1.29	1.29	1.29	1.42	4.59	9.90 (3.90-10.70)	3.340 (0.870-3.870)	14.67	99
20+20+20+25+25	1.80	1.80	1.80	2.25	2.25	9.90 (3.90-10.70)	3.420 (0.870-3.910)	15.02	99
20+20+20+25+35	1.65	1.65	1.65	2.06	2.89	9.90 (3.90-10.70)	3.420 (0.870-3.910)	15.02	99
20+20+20+25+42	1.56	1.56	1.56	1.95	3.27	9.90 (3.90-10.70)	3.400 (0.870-3.900)	14.93	99

# MXZ-5D102VA COOLING

Indoor units combination	Cooling capacity (kW)						Outdoor unit power consumption(kW)	Current (A)	Power factor(%)
	Unit A	Unit B	Unit C	Unit D	Unit E	Total			
20+20+20+25+50	1.47	1.47	1.47	1.83	3.67	9.90 (3.90-10.70)	3.390 (0.870-3.890)	14.89	99
20+20+20+25+60	1.37	1.37	1.37	1.71	4.10	9.90 (3.90-10.70)	3.360 (0.870-3.880)	14.76	99
20+20+20+25+71	1.27	1.27	1.27	1.59	4.51	9.90 (3.90-10.70)	3.340 (0.870-3.870)	14.67	99
20+20+20+35+35	1.52	1.52	1.52	2.67	2.67	9.90 (3.90-10.70)	3.420 (0.870-3.910)	15.02	99
20+20+20+35+42	1.45	1.45	1.45	2.53	3.04	9.90 (3.90-10.70)	3.400 (0.870-3.900)	14.93	99
20+20+20+35+50	1.37	1.37	1.37	2.39	3.41	9.90 (3.90-10.70)	3.390 (0.870-3.890)	14.89	99
20+20+20+35+60	1.28	1.28	1.28	2.24	3.83	9.90 (3.90-10.70)	3.360 (0.870-3.880)	14.76	99
20+20+20+35+71	1.19	1.19	1.19	2.09	4.23	9.90 (3.90-10.70)	3.340 (0.870-3.870)	14.67	99
20+20+20+42+42	1.38	1.38	1.38	2.89	2.89	9.90 (3.90-10.70)	3.380 (0.870-3.890)	14.84	99
20+20+20+42+50	1.30	1.30	1.30	2.74	3.26	9.90 (3.90-10.70)	3.370 (0.870-3.880)	14.80	99
20+20+20+42+60	1.22	1.22	1.22	2.57	3.67	9.90 (3.90-10.70)	3.340 (0.870-3.870)	14.67	99
20+20+20+50+50	1.24	1.24	1.24	3.09	3.09	9.90 (3.90-10.70)	3.360 (0.870-3.870)	14.76	99
20+20+20+50+60	1.16	1.16	1.16	2.91	3.49	9.90 (3.90-10.70)	3.330 (0.870-3.860)	14.62	99
20+20+22+22+22	1.89	1.89	2.08	2.08	2.08	10.00 (3.90-10.80)	3.560 (0.840-3.940)	15.63	99
20+20+22+22+25	1.83	1.83	2.02	2.02	2.29	10.00 (3.90-10.80)	3.560 (0.840-3.940)	15.63	99
20+20+22+22+35	1.68	1.68	1.85	1.85	2.94	10.00 (3.90-10.80)	3.560 (0.840-3.940)	15.63	99
20+20+22+22+42	1.59	1.59	1.75	1.75	3.33	10.00 (3.90-10.80)	3.540 (0.840-3.930)	15.55	99
20+20+22+22+50	1.49	1.49	1.64	1.64	3.73	10.00 (3.90-10.80)	3.530 (0.840-3.920)	15.50	99
20+20+22+22+60	1.39	1.39	1.53	1.53	4.17	10.00 (3.90-10.80)	3.500 (0.840-3.910)	15.37	99
20+20+22+22+71	1.29	1.29	1.42	1.42	4.58	10.00 (3.90-10.80)	3.480 (0.840-3.900)	15.28	99
20+20+22+25+25	1.79	1.79	1.96	2.23	2.23	10.00 (3.90-10.80)	3.560 (0.840-3.940)	15.63	99
20+20+22+25+35	1.64	1.64	1.80	2.05	2.87	10.00 (3.90-10.80)	3.560 (0.840-3.940)	15.63	99
20+20+22+25+42	1.55	1.55	1.71	1.94	3.26	10.00 (3.90-10.80)	3.540 (0.840-3.930)	15.55	99
20+20+22+25+50	1.46	1.46	1.61	1.82	3.65	10.00 (3.90-10.80)	3.530 (0.840-3.920)	15.50	99
20+20+22+25+60	1.36	1.36	1.50	1.70	4.08	10.00 (3.90-10.80)	3.500 (0.840-3.910)	15.37	99
20+20+22+25+71	1.27	1.27	1.39	1.58	4.49	10.00 (3.90-10.80)	3.480 (0.840-3.900)	15.28	99
20+20+22+35+35	1.52	1.52	1.67	2.65	2.65	10.00 (3.90-10.80)	3.560 (0.840-3.940)	15.63	99
20+20+22+35+42	1.44	1.44	1.58	2.52	3.02	10.00 (3.90-10.80)	3.540 (0.840-3.930)	15.55	99
20+20+22+35+50	1.36	1.36	1.50	2.38	3.40	10.00 (3.90-10.80)	3.530 (0.840-3.920)	15.50	99
20+20+22+35+60	1.27	1.27	1.40	2.23	3.82	10.00 (3.90-10.80)	3.500 (0.840-3.910)	15.37	99
20+20+22+35+71	1.19	1.19	1.31	2.08	4.23	10.00 (3.90-10.80)	3.480 (0.840-3.900)	15.28	99
20+20+22+42+42	1.37	1.37	1.51	2.88	2.88	10.00 (3.90-10.80)	3.520 (0.840-3.920)	15.46	99
20+20+22+42+50	1.30	1.30	1.43	2.73	3.25	10.00 (3.90-10.80)	3.510 (0.840-3.910)	15.42	99
20+20+22+42+60	1.22	1.22	1.34	2.56	3.66	10.00 (3.90-10.80)	3.480 (0.840-3.900)	15.28	99
20+20+22+50+50	1.23	1.23	1.36	3.09	3.09	10.00 (3.90-10.80)	3.500 (0.840-3.900)	15.37	99
20+20+22+50+60	1.16	1.16	1.28	2.91	3.49	10.00 (3.90-10.80)	3.470 (0.840-3.890)	15.24	99
20+20+25+25+25	1.74	1.74	2.17	2.17	2.17	10.00 (3.90-10.80)	3.560 (0.840-3.940)	15.63	99
20+20+25+25+35	1.60	1.60	2.00	2.00	2.80	10.00 (3.90-10.80)	3.560 (0.840-3.940)	15.63	99
20+20+25+25+42	1.52	1.52	1.89	1.89	3.18	10.00 (3.90-10.80)	3.540 (0.840-3.930)	15.55	99
20+20+25+25+50	1.43	1.43	1.79	1.79	3.57	10.00 (3.90-10.80)	3.530 (0.840-3.920)	15.50	99
20+20+25+25+60	1.33	1.33	1.67	1.67	4.00	10.00 (3.90-10.80)	3.500 (0.840-3.910)	15.37	99

# MXZ-5D102VA COOLING

Indoor units combination	Cooling capacity (kW)					Outdoor unit power consumption(kW)	Current (A)	Power factor(%)	
	Unit A	Unit B	Unit C	Unit D	Unit E				Total
20+20+25+25+71	1.24	1.24	1.55	1.55	4.41	10.00 (3.90-10.80)	3.480 (0.840-3.900)	15.28	99
20+20+25+35+35	1.48	1.48	1.85	2.59	2.59	10.00 (3.90-10.80)	3.560 (0.840-3.940)	15.63	99
20+20+25+35+42	1.41	1.41	1.76	2.46	2.96	10.00 (3.90-10.80)	3.540 (0.840-3.930)	15.55	99
20+20+25+35+50	1.33	1.33	1.67	2.33	3.33	10.00 (3.90-10.80)	3.530 (0.840-3.920)	15.50	99
20+20+25+35+60	1.25	1.25	1.56	2.19	3.75	10.00 (3.90-10.80)	3.500 (0.840-3.910)	15.37	99
20+20+25+35+71	1.17	1.17	1.46	2.05	4.15	10.00 (3.90-10.80)	3.480 (0.840-3.900)	15.28	99
20+20+25+42+42	1.34	1.34	1.68	2.82	2.82	10.00 (3.90-10.80)	3.520 (0.840-3.920)	15.46	99
20+20+25+42+50	1.27	1.27	1.59	2.68	3.18	10.00 (3.90-10.80)	3.510 (0.840-3.910)	15.42	99
20+20+25+42+60	1.20	1.20	1.50	2.51	3.59	10.00 (3.90-10.80)	3.480 (0.840-3.900)	15.28	99
20+20+25+50+50	1.21	1.21	1.52	3.03	3.03	10.00 (3.90-10.80)	3.500 (0.840-3.900)	15.37	99
20+20+35+35+35	1.38	1.38	2.41	2.41	2.41	10.00 (3.90-10.80)	3.560 (0.840-3.940)	15.63	99
20+20+35+35+42	1.32	1.32	2.30	2.30	2.76	10.00 (3.90-10.80)	3.540 (0.840-3.930)	15.55	99
20+20+35+35+50	1.25	1.25	2.19	2.19	3.13	10.00 (3.90-10.80)	3.530 (0.840-3.920)	15.50	99
20+20+35+35+60	1.18	1.18	2.06	2.06	3.53	10.00 (3.90-10.80)	3.500 (0.840-3.910)	15.37	99
20+20+35+42+42	1.26	1.26	2.20	2.64	2.64	10.00 (3.90-10.80)	3.520 (0.840-3.920)	15.46	99
20+20+35+42+50	1.20	1.20	2.10	2.51	2.99	10.00 (3.90-10.80)	3.510 (0.840-3.910)	15.42	99
20+20+42+42+42	1.20	1.20	2.53	2.53	2.53	10.00 (3.90-10.80)	3.500 (0.840-3.910)	15.37	99
20+22+22+22+22	1.87	2.06	2.06	2.06	2.06	10.10 (3.90-10.90)	3.700 (0.810-3.970)	16.25	99
20+22+22+22+25	1.82	2.00	2.00	2.00	2.27	10.10 (3.90-10.90)	3.700 (0.810-3.970)	16.25	99
20+22+22+22+35	1.67	1.84	1.84	1.84	2.92	10.10 (3.90-10.90)	3.700 (0.810-3.970)	16.25	99
20+22+22+22+42	1.58	1.74	1.74	1.74	3.31	10.10 (3.90-10.90)	3.680 (0.810-3.960)	16.16	99
20+22+22+22+50	1.49	1.63	1.63	1.63	3.71	10.10 (3.90-10.90)	3.670 (0.810-3.950)	16.12	99
20+22+22+22+60	1.38	1.52	1.52	1.52	4.15	10.10 (3.90-10.90)	3.640 (0.810-3.940)	15.99	99
20+22+22+22+71	1.29	1.42	1.42	1.42	4.57	10.10 (3.90-10.90)	3.620 (0.810-3.930)	15.90	99
20+22+22+25+25	1.77	1.95	1.95	2.21	2.21	10.10 (3.90-10.90)	3.700 (0.810-3.970)	16.25	99
20+22+22+25+35	1.63	1.79	1.79	2.04	2.85	10.10 (3.90-10.90)	3.700 (0.810-3.970)	16.25	99
20+22+22+25+42	1.54	1.70	1.70	1.93	3.24	10.10 (3.90-10.90)	3.680 (0.810-3.960)	16.16	99
20+22+22+25+50	1.45	1.60	1.60	1.82	3.63	10.10 (3.90-10.90)	3.670 (0.810-3.950)	16.12	99
20+22+22+25+60	1.36	1.49	1.49	1.69	4.07	10.10 (3.90-10.90)	3.640 (0.810-3.940)	15.99	99
20+22+22+25+71	1.26	1.39	1.39	1.58	4.48	10.10 (3.90-10.90)	3.620 (0.810-3.930)	15.90	99
20+22+22+35+35	1.51	1.66	1.66	2.64	2.64	10.10 (3.90-10.90)	3.700 (0.810-3.970)	16.25	99
20+22+22+35+42	1.43	1.58	1.58	2.51	3.01	10.10 (3.90-10.90)	3.680 (0.810-3.960)	16.16	99
20+22+22+35+50	1.36	1.49	1.49	2.37	3.39	10.10 (3.90-10.90)	3.670 (0.810-3.950)	16.12	99
20+22+22+35+60	1.27	1.40	1.40	2.22	3.81	10.10 (3.90-10.90)	3.640 (0.810-3.940)	15.99	99
20+22+22+35+71	1.19	1.31	1.31	2.08	4.22	10.10 (3.90-10.90)	3.620 (0.810-3.930)	15.90	99
20+22+22+42+42	1.36	1.50	1.50	2.87	2.87	10.10 (3.90-10.90)	3.660 (0.810-3.950)	16.07	99
20+22+22+42+50	1.29	1.42	1.42	2.72	3.24	10.10 (3.90-10.90)	3.650 (0.810-3.940)	16.03	99
20+22+22+42+60	1.22	1.34	1.34	2.56	3.65	10.10 (3.90-10.90)	3.620 (0.810-3.930)	15.90	99
20+22+22+50+50	1.23	1.35	1.35	3.08	3.08	10.10 (3.90-10.90)	3.640 (0.810-3.930)	15.99	99
20+22+25+25+25	1.73	1.90	2.16	2.16	2.16	10.10 (3.90-10.90)	3.700 (0.810-3.970)	16.25	99
MXZ+22+25+25+35	1.59	1.75	1.99	1.99	2.78	10.10 (3.90-10.90)	3.700 (0.810-3.970)	16.25	99

# MXZ-5D102VA COOLING

Indoor units combination	Cooling capacity (kW)						Outdoor unit power consumption(kW)	Current (A)	Power factor(%)
	Unit A	Unit B	Unit C	Unit D	Unit E	Total			
20+22+25+25+42	1.51	1.66	1.88	1.88	3.17	10.10 (3.90-10.90)	3.680 (0.810-3.960)	16.16	99
20+22+25+25+50	1.42	1.56	1.78	1.78	3.56	10.10 (3.90-10.90)	3.670 (0.810-3.950)	16.12	99
20+22+25+25+60	1.33	1.46	1.66	1.66	3.99	10.10 (3.90-10.90)	3.640 (0.810-3.940)	15.99	99
20+22+25+25+71	1.24	1.36	1.55	1.55	4.40	10.10 (3.90-10.90)	3.620 (0.810-3.930)	15.90	99
20+22+25+35+35	1.47	1.62	1.84	2.58	2.58	10.10 (3.90-10.90)	3.700 (0.810-3.970)	16.25	99
20+22+25+35+42	1.40	1.54	1.75	2.45	2.95	10.10 (3.90-10.90)	3.680 (0.810-3.960)	16.16	99
20+22+25+35+50	1.33	1.46	1.66	2.33	3.32	10.10 (3.90-10.90)	3.670 (0.810-3.950)	16.12	99
20+22+25+35+60	1.25	1.37	1.56	2.18	3.74	10.10 (3.90-10.90)	3.640 (0.810-3.940)	15.99	99
20+22+25+42+42	1.34	1.47	1.67	2.81	2.81	10.10 (3.90-10.90)	3.660 (0.810-3.950)	16.07	99
20+22+25+42+50	1.27	1.40	1.59	2.67	3.18	10.10 (3.90-10.90)	3.650 (0.810-3.940)	16.03	99
20+22+25+42+60	1.20	1.31	1.49	2.51	3.59	10.10 (3.90-10.90)	3.620 (0.810-3.930)	15.90	99
20+22+25+50+50	1.21	1.33	1.51	3.02	3.02	10.10 (3.90-10.90)	3.640 (0.810-3.930)	15.99	99
20+22+35+35+35	1.37	1.51	2.40	2.40	2.40	10.10 (3.90-10.90)	3.700 (0.810-3.970)	16.25	99
20+22+35+35+42	1.31	1.44	2.30	2.30	2.75	10.10 (3.90-10.90)	3.680 (0.810-3.960)	16.16	99
20+22+35+35+50	1.25	1.37	2.18	2.18	3.12	10.10 (3.90-10.90)	3.670 (0.810-3.950)	16.12	99
20+22+35+35+60	1.17	1.29	2.06	2.06	3.52	10.10 (3.90-10.90)	3.640 (0.810-3.940)	15.99	99
20+22+35+42+42	1.25	1.38	2.20	2.63	2.63	10.10 (3.90-10.90)	3.660 (0.810-3.950)	16.07	99
20+22+35+42+50	1.20	1.31	2.09	2.51	2.99	10.10 (3.90-10.90)	3.650 (0.810-3.940)	16.03	99
20+22+42+42+42	1.20	1.32	2.53	2.53	2.53	10.10 (3.90-10.90)	3.640 (0.810-3.940)	15.99	99
20+25+25+25+25	1.68	2.10	2.10	2.10	2.10	10.10 (3.90-10.90)	3.700 (0.810-3.970)	16.25	99
20+25+25+25+35	1.55	1.94	1.94	1.94	2.72	10.10 (3.90-10.90)	3.700 (0.810-3.970)	16.25	99
20+25+25+25+42	1.47	1.84	1.84	1.84	3.10	10.10 (3.90-10.90)	3.680 (0.810-3.960)	16.16	99
20+25+25+25+50	1.39	1.74	1.74	1.74	3.48	10.10 (3.90-10.90)	3.670 (0.810-3.950)	16.12	99
20+25+25+25+60	1.30	1.63	1.63	1.63	3.91	10.10 (3.90-10.90)	3.640 (0.810-3.940)	15.99	99
20+25+25+25+71	1.22	1.52	1.52	1.52	4.32	10.10 (3.90-10.90)	3.620 (0.810-3.930)	15.90	99
20+25+25+35+35	1.44	1.80	1.80	2.53	2.53	10.10 (3.90-10.90)	3.700 (0.810-3.970)	16.25	99
20+25+25+35+42	1.37	1.72	1.72	2.40	2.89	10.10 (3.90-10.90)	3.680 (0.810-3.960)	16.16	99
20+25+25+35+50	1.30	1.63	1.63	2.28	3.26	10.10 (3.90-10.90)	3.670 (0.810-3.950)	16.12	99
20+25+25+35+60	1.22	1.53	1.53	2.14	3.67	10.10 (3.90-10.90)	3.640 (0.810-3.940)	15.99	99
20+25+25+42+42	1.31	1.64	1.64	2.75	2.75	10.10 (3.90-10.90)	3.660 (0.810-3.950)	16.07	99
20+25+25+42+50	1.25	1.56	1.56	2.62	3.12	10.10 (3.90-10.90)	3.650 (0.810-3.940)	16.03	99
20+25+25+42+60	1.17	1.47	1.47	2.47	3.52	10.10 (3.90-10.90)	3.620 (0.810-3.930)	15.90	99
20+25+25+50+50	1.19	1.49	1.49	2.97	2.97	10.10 (3.90-10.90)	3.640 (0.810-3.930)	15.99	99
20+25+35+35+35	1.35	1.68	2.36	2.36	2.36	10.10 (3.90-10.90)	3.700 (0.810-3.970)	16.25	99
20+25+35+35+42	1.29	1.61	2.25	2.25	2.70	10.10 (3.90-10.90)	3.680 (0.810-3.960)	16.16	99
20+25+35+35+50	1.22	1.53	2.14	2.14	3.06	10.10 (3.90-10.90)	3.670 (0.810-3.950)	16.12	99
20+25+35+42+42	1.23	1.54	2.16	2.59	2.59	10.10 (3.90-10.90)	3.660 (0.810-3.950)	16.07	99
20+25+35+42+50	1.17	1.47	2.06	2.47	2.94	10.10 (3.90-10.90)	3.650 (0.810-3.940)	16.03	99
20+25+42+42+42	1.18	1.48	2.48	2.48	2.48	10.10 (3.90-10.90)	3.640 (0.810-3.940)	15.99	99
20+35+35+35+35	1.26	2.21	2.21	2.21	2.21	10.10 (3.90-10.90)	3.700 (0.810-3.970)	16.25	99
20+35+35+35+42	1.21	2.12	2.12	2.12	2.54	10.10 (3.90-10.90)	3.680 (0.810-3.960)	16.16	99

# MXZ-5D102VA COOLING

Indoor units combination	Cooling capacity (kW)						Outdoor unit power consumption(kW)	Current (A)	Power factor(%)
	Unit A	Unit B	Unit C	Unit D	Unit E	Total			
22+22+22+22+22	2.04	2.04	2.04	2.04	2.04	10.20 (3.90-11.00)	3.840 (0.780-4.000)	16.86	99
22+22+22+22+25	1.99	1.99	1.99	1.99	2.26	10.20 (3.90-11.00)	3.840 (0.780-4.000)	16.86	99
22+22+22+22+35	1.82	1.82	1.82	1.82	2.90	10.20 (3.90-11.00)	3.840 (0.780-4.000)	16.86	99
22+22+22+22+42	1.73	1.73	1.73	1.73	3.30	10.20 (3.90-11.00)	3.820 (0.780-3.990)	16.78	99
22+22+22+22+50	1.63	1.63	1.63	1.63	3.70	10.20 (3.90-11.00)	3.810 (0.780-3.980)	16.73	99
22+22+22+22+60	1.52	1.52	1.52	1.52	4.14	10.20 (3.90-11.00)	3.780 (0.780-3.970)	16.60	99
22+22+22+22+71	1.41	1.41	1.41	1.41	4.55	10.20 (3.90-11.00)	3.760 (0.780-3.960)	16.51	99
22+22+22+25+25	1.93	1.93	1.93	2.20	2.20	10.20 (3.90-11.00)	3.840 (0.780-4.000)	16.86	99
22+22+22+25+35	1.78	1.78	1.78	2.02	2.83	10.20 (3.90-11.00)	3.840 (0.780-4.000)	16.86	99
22+22+22+25+42	1.69	1.69	1.69	1.92	3.22	10.20 (3.90-11.00)	3.820 (0.780-3.990)	16.78	99
22+22+22+25+50	1.59	1.59	1.59	1.81	3.62	10.20 (3.90-11.00)	3.810 (0.780-3.980)	16.73	99
22+22+22+25+60	1.49	1.49	1.49	1.69	4.05	10.20 (3.90-11.00)	3.780 (0.780-3.970)	16.60	99
22+22+22+25+71	1.39	1.39	1.39	1.57	4.47	10.20 (3.90-11.00)	3.760 (0.780-3.960)	16.51	99
22+22+22+35+35	1.65	1.65	1.65	2.63	2.63	10.20 (3.90-11.00)	3.840 (0.780-4.000)	16.86	99
22+22+22+35+42	1.57	1.57	1.57	2.50	3.00	10.20 (3.90-11.00)	3.820 (0.780-3.990)	16.78	99
22+22+22+35+50	1.49	1.49	1.49	2.36	3.38	10.20 (3.90-11.00)	3.810 (0.780-3.980)	16.73	99
22+22+22+35+60	1.39	1.39	1.39	2.22	3.80	10.20 (3.90-11.00)	3.780 (0.780-3.970)	16.60	99
22+22+22+35+71	1.30	1.30	1.30	2.08	4.21	10.20 (3.90-11.00)	3.760 (0.780-3.960)	16.51	99
22+22+22+42+42	1.50	1.50	1.50	2.86	2.86	10.20 (3.90-11.00)	3.800 (0.780-3.980)	16.69	99
22+22+22+42+50	1.42	1.42	1.42	2.71	3.23	10.20 (3.90-11.00)	3.790 (0.780-3.970)	16.64	99
22+22+22+42+60	1.34	1.34	1.34	2.55	3.64	10.20 (3.90-11.00)	3.760 (0.780-3.960)	16.51	99
22+22+22+50+50	1.35	1.35	1.35	3.07	3.07	10.20 (3.90-11.00)	3.780 (0.780-3.960)	16.60	99
22+22+25+25+25	1.89	1.89	2.14	2.14	2.14	10.20 (3.90-11.00)	3.840 (0.780-4.000)	16.86	99
22+22+25+25+35	1.74	1.74	1.98	1.98	2.77	10.20 (3.90-11.00)	3.840 (0.780-4.000)	16.86	99
22+22+25+25+42	1.65	1.65	1.88	1.88	3.15	10.20 (3.90-11.00)	3.820 (0.780-3.990)	16.78	99
22+22+25+25+50	1.56	1.56	1.77	1.77	3.54	10.20 (3.90-11.00)	3.810 (0.780-3.980)	16.73	99
22+22+25+25+60	1.46	1.46	1.66	1.66	3.97	10.20 (3.90-11.00)	3.780 (0.780-3.970)	16.60	99
22+22+25+25+71	1.36	1.36	1.55	1.55	4.39	10.20 (3.90-11.00)	3.760 (0.780-3.960)	16.51	99
22+22+25+35+35	1.61	1.61	1.83	2.57	2.57	10.20 (3.90-11.00)	3.840 (0.780-4.000)	16.86	99
22+22+25+35+42	1.54	1.54	1.75	2.45	2.93	10.20 (3.90-11.00)	3.820 (0.780-3.990)	16.78	99
22+22+25+35+50	1.46	1.46	1.66	2.32	3.31	10.20 (3.90-11.00)	3.810 (0.780-3.980)	16.73	99
22+22+25+35+60	1.37	1.37	1.55	2.18	3.73	10.20 (3.90-11.00)	3.780 (0.780-3.970)	16.60	99
22+22+25+42+42	1.47	1.47	1.67	2.80	2.80	10.20 (3.90-11.00)	3.800 (0.780-3.980)	16.69	99
22+22+25+42+50	1.39	1.39	1.58	2.66	3.17	10.20 (3.90-11.00)	3.790 (0.780-3.970)	16.64	99
22+22+25+42+60	1.31	1.31	1.49	2.51	3.58	10.20 (3.90-11.00)	3.760 (0.780-3.960)	16.51	99
22+22+25+50+50	1.33	1.33	1.51	3.02	3.02	10.20 (3.90-11.00)	3.780 (0.780-3.960)	16.60	99
22+22+35+35+35	1.51	1.51	2.40	2.40	2.40	10.20 (3.90-11.00)	3.840 (0.780-4.000)	16.86	99
22+22+35+35+42	1.44	1.44	2.29	2.29	2.75	10.20 (3.90-11.00)	3.820 (0.780-3.990)	16.78	99
22+22+35+35+50	1.37	1.37	2.18	2.18	3.11	10.20 (3.90-11.00)	3.810 (0.780-3.980)	16.73	99
22+22+35+42+42	1.38	1.38	2.19	2.63	2.63	10.20 (3.90-11.00)	3.800 (0.780-3.980)	16.69	99
22+22+35+42+50	1.31	1.31	2.09	2.51	2.98	10.20 (3.90-11.00)	3.790 (0.780-3.970)	16.64	99

# MXZ-5D102VA COOLING

Indoor units combination	Cooling capacity (kW)						Outdoor unit power consumption(kW)	Current (A)	Power factor(%)
	Unit A	Unit B	Unit C	Unit D	Unit E	Total			
22+22+42+42+42	1.32	1.32	2.52	2.52	2.52	10.20 (3.90-11.00)	3.780 (0.780-3.970)	16.60	99
22+25+25+25+25	1.84	2.09	2.09	2.09	2.09	10.20 (3.90-11.00)	3.840 (0.780-4.000)	16.86	99
22+25+25+25+35	1.70	1.93	1.93	1.93	2.70	10.20 (3.90-11.00)	3.840 (0.780-4.000)	16.86	99
22+25+25+25+42	1.61	1.83	1.83	1.83	3.08	10.20 (3.90-11.00)	3.820 (0.780-3.990)	16.78	99
22+25+25+25+50	1.53	1.73	1.73	1.73	3.47	10.20 (3.90-11.00)	3.810 (0.780-3.980)	16.73	99
22+25+25+25+60	1.43	1.62	1.62	1.62	3.90	10.20 (3.90-11.00)	3.780 (0.780-3.970)	16.60	99
22+25+25+25+71	1.34	1.52	1.52	1.52	4.31	10.20 (3.90-11.00)	3.760 (0.780-3.960)	16.51	99
22+25+25+35+35	1.58	1.80	1.80	2.51	2.51	10.20 (3.90-11.00)	3.840 (0.780-4.000)	16.86	99
22+25+25+35+42	1.51	1.71	1.71	2.40	2.88	10.20 (3.90-11.00)	3.820 (0.780-3.990)	16.78	99
22+25+25+35+50	1.43	1.62	1.62	2.27	3.25	10.20 (3.90-11.00)	3.810 (0.780-3.980)	16.73	99
22+25+25+35+60	1.34	1.53	1.53	2.14	3.66	10.20 (3.90-11.00)	3.780 (0.780-3.970)	16.60	99
22+25+25+42+42	1.44	1.63	1.63	2.75	2.75	10.20 (3.90-11.00)	3.800 (0.780-3.980)	16.69	99
22+25+25+42+50	1.37	1.55	1.55	2.61	3.11	10.20 (3.90-11.00)	3.790 (0.780-3.970)	16.64	99
22+25+25+50+50	1.30	1.48	1.48	2.97	2.97	10.20 (3.90-11.00)	3.780 (0.780-3.960)	16.60	99
22+25+35+35+35	1.48	1.68	2.35	2.35	2.35	10.20 (3.90-11.00)	3.840 (0.780-4.000)	16.86	99
22+25+35+35+42	1.41	1.60	2.25	2.25	2.69	10.20 (3.90-11.00)	3.820 (0.780-3.990)	16.78	99
22+25+35+35+50	1.34	1.53	2.14	2.14	3.05	10.20 (3.90-11.00)	3.810 (0.780-3.980)	16.73	99
22+25+35+42+42	1.35	1.54	2.15	2.58	2.58	10.20 (3.90-11.00)	3.800 (0.780-3.980)	16.69	99
22+35+35+35+35	1.39	2.20	2.20	2.20	2.20	10.20 (3.90-11.00)	3.840 (0.780-4.000)	16.86	99
22+35+35+35+42	1.33	2.11	2.11	2.11	2.53	10.20 (3.90-11.00)	3.820 (0.780-3.990)	16.78	99
25+25+25+25+25	2.04	2.04	2.04	2.04	2.04	10.20 (3.90-11.00)	3.840 (0.780-4.000)	16.86	99
25+25+25+25+35	1.89	1.89	1.89	1.89	2.64	10.20 (3.90-11.00)	3.840 (0.780-4.000)	16.86	99
25+25+25+25+42	1.80	1.80	1.80	1.80	3.02	10.20 (3.90-11.00)	3.820 (0.780-3.990)	16.78	99
25+25+25+25+50	1.70	1.70	1.70	1.70	3.40	10.20 (3.90-11.00)	3.810 (0.780-3.980)	16.73	99
25+25+25+25+60	1.59	1.59	1.59	1.59	3.83	10.20 (3.90-11.00)	3.780 (0.780-3.970)	16.60	99
25+25+25+25+71	1.49	1.49	1.49	1.49	4.24	10.20 (3.90-11.00)	3.760 (0.780-3.960)	16.51	99
25+25+25+35+35	1.76	1.76	1.76	2.46	2.46	10.20 (3.90-11.00)	3.840 (0.780-4.000)	16.86	99
25+25+25+35+42	1.68	1.68	1.68	2.35	2.82	10.20 (3.90-11.00)	3.820 (0.780-3.990)	16.78	99
25+25+25+35+50	1.59	1.59	1.59	2.23	3.19	10.20 (3.90-11.00)	3.810 (0.780-3.980)	16.73	99
25+25+25+35+60	1.50	1.50	1.50	2.10	3.60	10.20 (3.90-11.00)	3.780 (0.780-3.970)	16.60	99
25+25+25+42+42	1.60	1.60	1.60	2.69	2.69	10.20 (3.90-11.00)	3.800 (0.780-3.980)	16.69	99
25+25+25+42+50	1.53	1.53	1.53	2.57	3.05	10.20 (3.90-11.00)	3.790 (0.780-3.970)	16.64	99
25+25+35+35+35	1.65	1.65	2.30	2.30	2.30	10.20 (3.90-11.00)	3.840 (0.780-4.000)	16.86	99
25+25+35+35+42	1.57	1.57	2.20	2.20	2.64	10.20 (3.90-11.00)	3.820 (0.780-3.990)	16.78	99
25+25+35+35+50	1.50	1.50	2.10	2.10	3.00	10.20 (3.90-11.00)	3.810 (0.780-3.980)	16.73	99
25+25+35+42+42	1.51	1.51	2.11	2.53	2.53	10.20 (3.90-11.00)	3.800 (0.780-3.980)	16.69	99
25+35+35+35+35	1.55	2.16	2.16	2.16	2.16	10.20 (3.90-11.00)	3.840 (0.780-4.000)	16.86	99
25+35+35+35+42	1.48	2.08	2.08	2.08	2.49	10.20 (3.90-11.00)	3.820 (0.780-3.990)	16.78	99

# MXZ-5D102VA HEATING

Indoor units combination	Heating capacity (kW)						Outdoor unit power consumption(kW)	Current (A)	Power factor(%)
	Unit A	Unit B	Unit C	Unit D	Unit E	Total			
15	1.70	-	-	-	-	1.70 (1.20-3.00)	0.650 (0.540-1.670)	2.85	99
18	3.30	-	-	-	-	3.30 (1.20-4.20)	0.890 (0.340-1.590)	3.91	99
20	2.20	-	-	-	-	2.20 (1.20-3.90)	0.830 (0.540-2.170)	3.65	99
22	3.30	-	-	-	-	3.30 (1.20-4.20)	0.890 (0.340-1.590)	3.91	99
25	3.60	-	-	-	-	3.60 (1.20-4.50)	0.990 (0.340-1.740)	4.35	99
35	4.00	-	-	-	-	4.00 (1.20-5.50)	1.140 (0.330-1.810)	5.01	99
42	5.40	-	-	-	-	5.40 (1.30-6.50)	1.610 (0.330-2.260)	7.07	99
50	7.20	-	-	-	-	7.20 (1.40-7.70)	2.270 (0.330-2.710)	9.97	99
60	7.90	-	-	-	-	7.90 (1.40-8.60)	2.270 (0.330-3.060)	9.97	99
71	8.60	-	-	-	-	8.60 (1.60-9.20)	2.410 (0.360-3.520)	10.58	99
15+15	1.70	1.70	-	-	-	3.40 (1.80-5.00)	0.810 (0.520-2.800)	3.56	99
15+18	1.70	3.30	-	-	-	5.00 (1.80-6.10)	1.190 (0.500-2.780)	5.23	99
15+20	1.70	2.20	-	-	-	3.90 (1.80-5.80)	0.960 (0.490-2.775)	4.22	99
15+22	1.70	3.30	-	-	-	5.00 (1.80-6.10)	1.190 (0.490-3.000)	5.23	99
15+25	1.60	3.40	-	-	-	5.00 (1.80-6.10)	1.190 (0.520-3.680)	5.23	99
15+35	1.67	3.93	-	-	-	5.60 (1.80-7.70)	1.380 (0.480-3.150)	6.06	99
15+42	1.41	4.49	-	-	-	5.90 (1.80-8.20)	1.499 (0.480-3.275)	6.58	99
15+50	1.18	5.02	-	-	-	6.20 (1.80-8.60)	1.605 (0.480-3.320)	7.05	99
15+60	1.29	6.01	-	-	-	7.30 (1.80-9.10)	2.021 (0.470-3.405)	8.88	99
15+71	1.58	7.32	-	-	-	8.90 (1.80-9.90)	2.660 (0.460-3.560)	11.68	99
18+18	3.30	3.30	-	-	-	6.60 (1.80-7.20)	1.570 (0.480-2.760)	6.90	99
18+20	3.30	2.20	-	-	-	5.50 (1.80-6.90)	1.340 (0.500-3.215)	5.88	99
18+22	3.30	3.30	-	-	-	6.60 (1.80-7.20)	1.570 (0.520-3.670)	6.90	99
18+25	3.16	3.44	-	-	-	6.60 (1.80-7.20)	1.570 (0.490-2.990)	6.90	99
18+35	3.30	4.00	-	-	-	7.30 (1.80-9.00)	1.811 (0.480-3.195)	7.95	99
18+42	2.88	4.72	-	-	-	7.60 (1.80-9.50)	1.930 (0.480-3.320)	8.48	99
18+50	2.48	5.42	-	-	-	7.90 (1.80-9.70)	2.024 (0.480-3.310)	8.89	99
18+60	2.77	6.63	-	-	-	9.40 (1.80-10.50)	2.617 (0.470-3.450)	11.49	99
18+71	3.09	7.41	-	-	-	10.50 (1.80-11.00)	3.040 (0.460-3.550)	13.35	99
20+20	2.20	2.20	-	-	-	4.40 (1.80-6.60)	1.110 (0.520-3.670)	4.87	99
20+22	2.20	3.30	-	-	-	5.50 (1.80-6.90)	1.340 (0.500-3.215)	5.88	99
20+25	2.12	3.48	-	-	-	5.60 (1.80-7.20)	1.372 (0.480-2.825)	6.03	99
20+35	2.20	4.00	-	-	-	6.20 (1.80-8.90)	1.615 (0.480-3.230)	7.09	99
20+42	1.91	4.69	-	-	-	6.60 (1.80-9.30)	1.726 (0.480-3.320)	7.58	99
20+50	1.61	5.29	-	-	-	6.90 (1.80-9.50)	1.820 (0.480-3.310)	7.99	99
20+60	1.90	6.80	-	-	-	8.70 (1.80-10.40)	2.531 (0.470-3.485)	11.12	99
20+71	2.05	7.35	-	-	-	9.40 (1.80-10.70)	2.810 (0.460-3.550)	12.34	99
22+22	3.30	3.30	-	-	-	6.60 (1.80-7.20)	1.570 (0.480-2.760)	6.90	99
22+25	3.30	3.60	-	-	-	6.90 (1.80-8.00)	1.665 (0.480-2.950)	7.31	99
22+35	3.30	4.00	-	-	-	7.30 (1.80-9.30)	1.879 (0.480-3.265)	8.25	99
22+42	2.96	4.84	-	-	-	7.80 (1.80-9.60)	1.982 (0.480-3.320)	8.70	99



# MXZ-5D102VA HEATING

Indoor units combination	Heating capacity (kW)					Outdoor unit power consumption(kW)	Current (A)	Power factor(%)	
	Unit A	Unit B	Unit C	Unit D	Unit E				Total
22+50	2.64	5.76	-	-	-	8.40 (1.80-10.00)	2.194 (0.480-3.345)	9.64	99
22+60	2.98	7.12	-	-	-	10.10 (1.80-10.80)	2.906 (0.460-3.525)	12.76	99
22+71	3.09	7.41	-	-	-	10.50 (1.80-11.00)	3.040 (0.460-3.550)	13.35	99
25+25	3.60	3.60	-	-	-	7.20 (1.80-8.80)	1.760 (0.480-3.140)	7.73	99
25+35	3.60	4.00	-	-	-	7.60 (1.80-9.50)	1.930 (0.480-3.320)	8.48	99
25+42	3.16	4.74	-	-	-	7.90 (1.80-9.70)	2.021 (0.480-3.320)	8.88	99
25+50	2.97	5.93	-	-	-	8.90 (1.80-10.20)	2.411 (0.470-3.405)	10.59	99
25+60	3.29	7.21	-	-	-	10.50 (1.80-11.00)	3.050 (0.460-3.560)	13.39	99
25+71	3.29	7.21	-	-	-	10.50 (1.80-11.00)	3.040 (0.460-3.550)	13.35	99
35+35	4.00	4.00	-	-	-	8.00 (1.80-9.80)	2.060 (0.480-3.320)	9.05	99
35+42	3.96	5.34	-	-	-	9.30 (1.80-10.40)	2.565 (0.470-3.450)	11.26	99
35+50	3.75	6.75	-	-	-	10.50 (1.80-11.00)	3.060 (0.460-3.570)	13.44	99
35+60	3.53	6.97	-	-	-	10.50 (1.80-11.00)	3.050 (0.460-3.560)	13.39	99
35+71	3.53	6.97	-	-	-	10.50 (1.80-11.00)	3.040 (0.460-3.550)	13.35	99
42+42	5.25	5.25	-	-	-	10.50 (1.80-11.00)	3.070 (0.460-3.580)	13.48	99
42+50	4.50	6.00	-	-	-	10.50 (1.80-11.00)	3.060 (0.460-3.570)	13.44	99
42+71	4.26	6.24	-	-	-	10.50 (1.80-11.00)	3.040 (0.460-3.550)	13.35	99
50+50	5.25	5.25	-	-	-	10.50 (1.80-11.00)	3.050 (0.460-3.560)	13.39	99
50+60	5.01	5.49	-	-	-	10.50 (1.80-11.00)	3.040 (0.460-3.550)	13.35	99
50+71	5.01	5.49	-	-	-	10.50 (1.80-11.00)	3.030 (0.460-3.540)	13.31	99
60+60	5.25	5.25	-	-	-	10.50 (1.80-11.00)	3.030 (0.460-3.540)	13.31	99
60+71	5.25	5.25	-	-	-	10.50 (1.80-11.00)	3.020 (0.460-3.530)	13.26	99
71+71	5.25	5.25	-	-	-	10.50 (1.80-11.00)	3.010 (0.460-3.520)	13.22	99
15+15+15	1.70	1.70	1.70	-	-	5.10 (2.60-8.50)	1.150 (0.650-4.100)	5.05	99
15+15+18	1.60	1.60	3.10	-	-	6.30 (2.60-9.20)	1.420 (0.610-3.755)	6.24	99
15+15+20	1.70	1.70	2.20	-	-	5.60 (2.60-8.90)	1.310 (0.650-3.520)	5.75	99
15+15+22	1.60	1.60	3.10	-	-	6.30 (2.60-9.20)	1.420 (0.610-3.290)	6.24	99
15+15+25	1.53	1.53	3.24	-	-	6.30 (2.60-9.20)	1.420 (0.610-3.235)	6.24	99
15+15+35	1.45	1.45	3.41	-	-	6.30 (2.60-9.20)	1.420 (0.610-3.235)	6.24	99
15+15+42	1.26	1.26	3.99	-	-	6.50 (2.60-9.90)	1.473 (0.610-3.300)	6.47	99
15+15+50	1.09	1.09	4.62	-	-	6.80 (2.60-10.40)	1.665 (0.640-3.520)	7.31	99
15+15+60	1.07	1.07	4.96	-	-	7.10 (2.60-10.70)	1.985 (0.690-3.705)	8.72	99
15+15+71	1.13	1.13	5.24	-	-	7.50 (2.60-11.10)	2.338 (0.740-3.910)	10.27	99
15+18+18	1.54	2.98	2.98	-	-	7.50 (2.60-9.90)	1.690 (0.570-3.405)	7.42	99
15+18+20	1.61	3.12	2.08	-	-	6.80 (2.60-9.60)	1.580 (0.610-3.175)	6.94	99
15+18+22	1.54	2.98	2.98	-	-	7.50 (2.60-9.90)	1.690 (0.570-3.235)	7.42	99
15+18+25	1.48	2.88	3.14	-	-	7.50 (2.60-9.90)	1.690 (0.570-3.755)	7.42	99
15+18+35	1.44	2.79	3.38	-	-	7.60 (2.60-10.10)	1.708 (0.570-3.140)	7.50	99
15+18+42	1.28	2.48	4.05	-	-	7.80 (2.60-10.90)	1.770 (0.570-3.420)	7.77	99
15+18+50	1.13	2.19	4.78	-	-	8.10 (2.60-11.20)	2.034 (0.610-3.575)	8.93	99
15+18+60	1.11	2.15	5.14	-	-	8.40 (2.60-11.50)	2.354 (0.660-3.765)	10.34	99

# MXZ-5D102VA HEATING

Indoor units combination	Heating capacity (kW)						Outdoor unit power consumption(kW)	Current (A)	Power factor(%)
	Unit A	Unit B	Unit C	Unit D	Unit E	Total			
15+18+71	1.16	2.25	5.39	-	-	8.80 (2.60-11.90)	2.707 (0.720-3.970)	11.89	99
15+20+20	1.70	2.20	2.20	-	-	6.10 (2.60-9.30)	1.470 (0.650-3.235)	6.46	99
15+20+22	1.61	2.08	3.12	-	-	6.80 (2.60-9.60)	1.580 (0.610-3.580)	6.94	99
15+20+25	1.54	1.99	3.26	-	-	6.80 (2.60-9.60)	1.580 (0.610-4.100)	6.94	99
15+20+35	1.48	1.92	3.49	-	-	6.90 (2.60-10.00)	1.616 (0.610-3.220)	7.10	99
15+20+42	1.32	1.70	4.18	-	-	7.20 (2.60-10.70)	1.726 (0.620-3.460)	7.58	99
15+20+50	1.13	1.47	4.80	-	-	7.40 (2.60-10.90)	1.990 (0.660-3.615)	8.74	99
15+20+60	1.12	1.45	5.22	-	-	7.80 (2.60-11.30)	2.310 (0.710-3.805)	10.14	99
15+20+71	1.17	1.51	5.42	-	-	8.10 (2.60-11.60)	2.638 (0.760-3.990)	11.59	99
15+22+22	1.54	2.98	2.98	-	-	7.50 (2.60-9.90)	1.690 (0.570-3.925)	7.42	99
15+22+25	1.48	2.88	3.14	-	-	7.50 (2.60-9.90)	1.690 (0.570-3.755)	7.42	99
15+22+35	1.45	2.82	3.42	-	-	7.70 (2.60-10.60)	1.743 (0.570-3.300)	7.65	99
15+22+42	1.29	2.51	4.10	-	-	7.90 (2.60-11.00)	1.902 (0.590-3.500)	8.35	99
15+22+50	1.14	2.22	4.84	-	-	8.20 (2.60-11.30)	2.166 (0.630-3.655)	9.51	99
15+22+60	1.12	2.17	5.21	-	-	8.50 (2.60-11.60)	2.486 (0.680-3.845)	10.92	99
15+22+71	1.17	2.28	5.45	-	-	8.90 (2.60-11.90)	2.763 (0.720-3.990)	12.13	99
15+25+25	1.43	3.03	3.03	-	-	7.50 (2.60-9.90)	1.690 (0.570-3.235)	7.42	99
15+25+35	1.43	3.02	3.35	-	-	7.80 (2.60-10.90)	1.770 (0.570-3.420)	7.77	99
15+25+42	1.27	2.69	4.04	-	-	8.00 (2.60-11.10)	2.001 (0.610-3.560)	8.79	99
15+25+50	1.13	2.39	4.78	-	-	8.30 (2.60-11.40)	2.265 (0.650-3.715)	9.95	99
15+25+60	1.11	2.35	5.15	-	-	8.60 (2.60-11.70)	2.585 (0.700-3.900)	11.35	99
15+25+71	1.15	2.43	5.33	-	-	8.90 (2.60-11.90)	2.786 (0.720-3.990)	12.24	99
15+35+35	1.42	3.34	3.34	-	-	8.10 (2.60-11.20)	2.100 (0.620-3.615)	9.22	99
15+35+42	1.29	3.03	4.09	-	-	8.40 (2.60-11.50)	2.331 (0.660-3.755)	10.24	99
15+35+50	1.13	2.67	4.80	-	-	8.60 (2.60-11.70)	2.595 (0.700-3.910)	11.40	99
15+35+60	1.11	2.62	5.17	-	-	8.90 (2.60-11.90)	2.788 (0.720-4.000)	12.24	99
15+35+71	1.15	2.71	5.34	-	-	9.20 (2.70-11.90)	2.862 (0.720-3.990)	12.57	99
15+42+42	1.17	3.72	3.72	-	-	8.60 (2.60-11.70)	2.562 (0.690-3.890)	11.25	99
15+42+50	1.05	3.32	4.43	-	-	8.80 (2.60-11.90)	2.775 (0.720-4.010)	12.19	99
15+42+60	1.03	3.28	4.79	-	-	9.10 (2.70-11.90)	2.841 (0.720-4.000)	12.48	99
15+42+71	1.05	3.35	4.90	-	-	9.30 (2.70-11.90)	2.900 (0.720-3.990)	12.74	99
15+50+50	0.95	4.02	4.02	-	-	9.00 (2.60-11.90)	2.836 (0.720-4.010)	12.45	99
15+50+60	0.94	3.99	4.37	-	-	9.30 (2.70-11.90)	2.902 (0.720-4.000)	12.74	99
15+50+71	0.94	3.99	4.37	-	-	9.30 (2.70-11.90)	2.900 (0.720-3.990)	12.74	99
15+60+60	0.90	4.20	4.20	-	-	9.30 (2.70-11.90)	2.900 (0.720-3.990)	12.74	99
15+60+71	0.90	4.20	4.20	-	-	9.30 (2.70-11.90)	2.890 (0.720-3.980)	12.69	99
15+71+71	0.90	4.20	4.20	-	-	9.30 (2.70-11.90)	2.880 (0.720-3.970)	12.65	99
18+18+18	2.90	2.90	2.90	-	-	8.70 (2.60-10.60)	1.960 (0.530-3.060)	8.61	99
18+18+20	3.00	3.00	2.00	-	-	8.00 (2.60-10.30)	1.850 (0.570-3.405)	8.12	99
18+18+22	2.90	2.90	2.90	-	-	8.70 (2.60-10.60)	1.960 (0.530-3.755)	8.61	99
18+18+25	2.81	2.81	3.07	-	-	8.70 (2.60-10.60)	1.960 (0.530-3.925)	8.61	99

# MXZ-5D102VA HEATING

Indoor units combination	Heating capacity (kW)						Outdoor unit power consumption(kW)	Current (A)	Power factor(%)
	Unit A	Unit B	Unit C	Unit D	Unit E	Total			
18+18+35	2.77	2.77	3.36	-	-	8.90 (2.60-11.20)	2.004 (0.530-3.260)	8.80	99
18+18+42	2.50	2.50	4.10	-	-	9.10 (2.60-11.70)	2.139 (0.550-3.480)	9.39	99
18+18+50	2.25	2.25	4.90	-	-	9.40 (2.60-12.00)	2.403 (0.590-3.635)	10.55	99
18+18+60	2.21	2.21	5.28	-	-	9.70 (2.60-12.30)	2.723 (0.640-3.825)	11.96	99
18+18+71	2.28	2.28	5.45	-	-	10.00 (2.60-12.60)	3.025 (0.680-3.990)	13.29	99
18+20+20	3.13	2.09	2.09	-	-	7.30 (2.60-10.00)	1.740 (0.610-3.755)	7.64	99
18+20+22	3.00	2.00	3.00	-	-	8.00 (2.60-10.30)	1.850 (0.570-4.100)	8.12	99
18+20+25	2.90	1.93	3.16	-	-	8.00 (2.60-10.30)	1.850 (0.570-3.580)	8.12	99
18+20+35	2.85	1.90	3.45	-	-	8.20 (2.60-11.10)	1.912 (0.570-3.340)	8.40	99
18+20+42	2.57	1.72	4.21	-	-	8.50 (2.60-11.50)	2.095 (0.600-3.520)	9.20	99
18+20+50	2.26	1.51	4.93	-	-	8.70 (2.60-11.70)	2.359 (0.640-3.675)	10.36	99
18+20+60	2.24	1.49	5.36	-	-	9.10 (2.60-12.10)	2.679 (0.690-3.860)	11.77	99
18+20+71	2.31	1.54	5.54	-	-	9.40 (2.60-12.30)	2.930 (0.720-3.990)	12.87	99
18+22+22	2.90	2.90	2.90	-	-	8.70 (2.60-10.60)	1.960 (0.530-3.755)	8.61	99
18+22+25	2.81	2.81	3.07	-	-	8.70 (2.60-10.60)	1.960 (0.530-3.235)	8.61	99
18+22+35	2.80	2.80	3.40	-	-	9.00 (2.60-11.60)	2.040 (0.530-3.420)	8.96	99
18+22+42	2.53	2.53	4.14	-	-	9.20 (2.60-11.80)	2.271 (0.570-3.560)	9.97	99
18+22+50	2.27	2.27	4.96	-	-	9.50 (2.60-12.10)	2.535 (0.610-3.715)	11.13	99
18+22+60	2.23	2.23	5.34	-	-	9.80 (2.60-12.40)	2.855 (0.660-3.900)	12.54	99
18+22+71	2.30	2.30	5.50	-	-	10.10 (2.60-12.60)	3.056 (0.680-3.990)	13.42	99
18+25+25	2.77	3.02	3.02	-	-	8.80 (2.60-10.80)	1.978 (0.530-3.140)	8.69	99
18+25+35	2.76	3.01	3.34	-	-	9.10 (2.60-11.70)	2.139 (0.550-3.480)	9.39	99
18+25+42	2.50	2.72	4.08	-	-	9.30 (2.60-11.90)	2.370 (0.580-3.615)	10.41	99
18+25+50	2.25	2.45	4.90	-	-	9.60 (2.60-12.20)	2.634 (0.620-3.775)	11.57	99
18+25+60	2.21	2.41	5.28	-	-	9.90 (2.60-12.50)	2.954 (0.670-3.960)	12.97	99
18+25+71	2.27	2.48	5.44	-	-	10.20 (2.60-12.60)	3.079 (0.680-3.990)	13.52	99
18+35+35	2.75	3.33	3.33	-	-	9.40 (2.60-12.00)	2.469 (0.600-3.675)	10.84	99
18+35+42	2.52	3.06	4.12	-	-	9.70 (2.60-12.30)	2.700 (0.630-3.815)	11.86	99
18+35+50	2.25	2.73	4.92	-	-	9.90 (2.60-12.50)	2.964 (0.670-3.970)	13.02	99
18+35+60	2.21	2.68	5.30	-	-	10.20 (2.60-12.60)	3.081 (0.680-4.000)	13.53	99
18+35+71	2.28	2.76	5.46	-	-	10.50 (2.70-12.60)	3.155 (0.680-3.990)	13.86	99
18+42+50	2.10	3.43	4.57	-	-	10.10 (2.60-12.60)	3.068 (0.680-4.010)	13.47	99
18+42+60	2.07	3.38	4.95	-	-	10.40 (2.70-12.60)	3.134 (0.680-4.000)	13.76	99
18+42+71	2.09	3.42	5.00	-	-	10.50 (2.70-12.60)	3.170 (0.680-3.990)	13.92	99
18+50+50	1.92	4.19	4.19	-	-	10.30 (2.70-12.60)	3.129 (0.680-4.010)	13.74	99
18+50+60	1.88	4.11	4.51	-	-	10.50 (2.70-12.60)	3.180 (0.680-4.000)	13.97	99
18+50+71	1.88	4.11	4.51	-	-	10.50 (2.70-12.60)	3.170 (0.680-3.990)	13.92	99
18+60+60	1.81	4.34	4.34	-	-	10.50 (2.70-12.60)	3.170 (0.680-3.990)	13.92	99
18+60+71	1.81	4.34	4.34	-	-	10.50 (2.70-12.60)	3.160 (0.680-3.980)	13.88	99
18+71+71	1.81	4.34	4.34	-	-	10.50 (2.70-12.60)	3.150 (0.680-3.970)	13.83	99
20+20+20	2.20	2.20	2.20	-	-	6.60 (2.60-9.70)	1.630 (0.650-4.100)	7.16	99

# MXZ-5D102VA HEATING

Indoor units combination	Heating capacity (kW)						Outdoor unit power consumption(kW)	Current (A)	Power factor(%)
	Unit A	Unit B	Unit C	Unit D	Unit E	Total			
20+20+22	2.09	2.09	3.13	-	-	7.30 (2.60-10.00)	1.740 (0.610-3.755)	7.64	99
20+20+25	2.01	2.01	3.29	-	-	7.30 (2.60-10.00)	1.740 (0.610-3.235)	7.64	99
20+20+35	1.99	1.99	3.62	-	-	7.60 (2.60-11.00)	1.820 (0.610-3.420)	7.99	99
20+20+42	1.75	1.75	4.30	-	-	7.80 (2.60-11.20)	2.051 (0.650-3.560)	9.01	99
20+20+50	1.54	1.54	5.03	-	-	8.10 (2.60-11.50)	2.315 (0.690-3.715)	10.17	99
20+20+60	1.50	1.50	5.40	-	-	8.40 (2.60-11.80)	2.635 (0.740-3.900)	11.57	99
20+20+71	1.56	1.56	5.59	-	-	8.70 (2.60-12.00)	2.836 (0.760-3.990)	12.45	99
20+22+22	2.00	3.00	3.00	-	-	8.00 (2.60-10.30)	1.850 (0.570-3.405)	8.12	99
20+22+25	1.93	2.90	3.16	-	-	8.00 (2.60-10.40)	1.859 (0.570-3.100)	8.16	99
20+22+35	1.95	2.92	3.54	-	-	8.40 (2.60-11.40)	1.996 (0.580-3.460)	8.77	99
20+22+42	1.74	2.60	4.26	-	-	8.60 (2.60-11.60)	2.227 (0.620-3.595)	9.78	99
20+22+50	1.54	2.31	5.05	-	-	8.90 (2.60-11.90)	2.491 (0.660-3.755)	10.94	99
20+22+71	1.56	2.34	5.60	-	-	9.50 (2.60-12.30)	2.961 (0.720-3.990)	13.00	99
20+25+25	1.90	3.10	3.10	-	-	8.10 (2.60-10.70)	1.886 (0.570-3.220)	8.28	99
20+25+35	1.91	3.12	3.47	-	-	8.50 (2.60-11.50)	2.095 (0.600-3.520)	9.20	99
20+25+42	1.71	2.80	4.19	-	-	8.70 (2.60-11.70)	2.326 (0.630-3.655)	10.22	99
20+25+50	1.52	2.49	4.98	-	-	9.00 (2.60-12.00)	2.590 (0.670-3.815)	11.37	99
20+25+60	1.49	2.44	5.36	-	-	9.30 (2.60-12.30)	2.910 (0.720-4.000)	12.78	99
20+25+71	1.54	2.52	5.54	-	-	9.60 (2.70-12.30)	2.984 (0.720-3.990)	13.10	99
20+35+35	1.90	3.45	3.45	-	-	8.80 (2.60-11.80)	2.425 (0.650-3.715)	10.65	99
20+35+42	1.71	3.10	4.19	-	-	9.00 (2.60-12.00)	2.656 (0.680-3.855)	11.66	99
20+35+50	1.53	2.78	5.00	-	-	9.30 (2.60-12.30)	2.920 (0.720-4.010)	12.82	99
20+35+60	1.48	2.70	5.32	-	-	9.50 (2.60-12.30)	2.986 (0.720-4.000)	13.11	99
20+35+71	1.53	2.78	5.49	-	-	9.80 (2.70-12.30)	3.060 (0.720-3.990)	13.44	99
20+42+42	1.57	3.86	3.86	-	-	9.30 (2.60-12.30)	2.887 (0.720-3.990)	12.68	99
20+42+50	1.41	3.47	4.62	-	-	9.50 (2.60-12.30)	2.973 (0.720-4.010)	13.06	99
20+42+60	1.38	3.38	4.94	-	-	9.70 (2.70-12.30)	3.040 (0.720-4.000)	13.35	99
20+42+71	1.39	3.41	4.99	-	-	9.80 (2.70-12.30)	3.060 (0.720-3.990)	13.44	99
20+50+50	1.29	4.21	4.21	-	-	9.70 (2.70-12.30)	3.034 (0.720-4.010)	13.32	99
20+50+60	1.25	4.08	4.48	-	-	9.80 (2.70-12.30)	3.070 (0.720-4.000)	13.48	99
20+50+71	1.25	4.08	4.48	-	-	9.80 (2.70-12.30)	3.060 (0.720-3.990)	13.44	99
20+60+60	1.20	4.30	4.30	-	-	9.80 (2.70-12.30)	3.060 (0.720-3.990)	13.44	99
20+60+71	1.20	4.30	4.30	-	-	9.80 (2.70-12.30)	3.050 (0.720-3.980)	13.39	99
20+71+71	1.20	4.30	4.30	-	-	9.80 (2.70-12.30)	3.040 (0.720-3.970)	13.35	99
22+22+22	2.90	2.90	2.90	-	-	8.70 (2.60-10.60)	1.960 (0.530-3.060)	8.61	99
22+22+25	2.85	2.85	3.11	-	-	8.80 (2.60-10.90)	1.987 (0.530-3.180)	8.73	99
22+22+35	2.83	2.83	3.43	-	-	9.10 (2.60-11.70)	2.172 (0.550-3.500)	9.54	99
22+22+42	2.59	2.59	4.23	-	-	9.40 (2.60-12.00)	2.403 (0.590-3.635)	10.55	99
22+22+50	2.30	2.30	5.01	-	-	9.60 (2.60-12.20)	2.667 (0.630-3.795)	11.71	99
22+22+60	2.28	2.28	5.45	-	-	10.00 (2.60-12.60)	2.987 (0.680-3.980)	13.12	99
22+22+71	2.32	2.32	5.56	-	-	10.20 (2.60-12.60)	3.086 (0.680-3.990)	13.55	99

# MXZ-5D102VA HEATING

Indoor units combination	Heating capacity (kW)						Outdoor unit power consumption(kW)	Current (A)	Power factor(%)
	Unit A	Unit B	Unit C	Unit D	Unit E	Total			
22+25+25	2.80	3.05	3.05	-	-	8.90 (2.60-11.30)	2.013 (0.530-3.300)	8.84	99
22+25+35	2.79	3.04	3.38	-	-	9.20 (2.60-11.80)	2.271 (0.570-3.560)	9.97	99
22+25+42	2.55	2.78	4.17	-	-	9.50 (2.60-12.10)	2.502 (0.600-3.695)	10.99	99
22+25+50	2.27	2.48	4.95	-	-	9.70 (2.60-12.30)	2.766 (0.640-3.855)	12.15	99
22+25+60	2.23	2.43	5.34	-	-	10.00 (2.60-12.60)	3.035 (0.680-4.000)	13.33	99
22+25+71	2.30	2.51	5.50	-	-	10.30 (2.70-12.60)	3.109 (0.680-3.990)	13.65	99
22+35+35	2.80	3.40	3.40	-	-	9.60 (2.60-12.20)	2.601 (0.620-3.755)	11.42	99
22+35+42	2.55	3.09	4.17	-	-	9.80 (2.60-12.40)	2.832 (0.650-3.890)	12.44	99
22+35+50	2.28	2.76	4.97	-	-	10.00 (2.60-12.60)	3.045 (0.680-4.010)	13.37	99
22+35+60	2.24	2.71	5.35	-	-	10.30 (2.70-12.60)	3.111 (0.680-4.000)	13.66	99
22+35+71	2.28	2.76	5.46	-	-	10.50 (2.70-12.60)	3.170 (0.680-3.990)	13.92	99
22+42+42	2.34	3.83	3.83	-	-	10.00 (2.60-12.60)	3.038 (0.680-4.010)	13.34	99
22+42+50	2.12	3.46	4.62	-	-	10.20 (2.60-12.60)	3.099 (0.680-4.010)	13.61	99
22+42+60	2.09	3.42	5.00	-	-	10.50 (2.70-12.60)	3.165 (0.680-4.000)	13.90	99
22+42+71	2.09	3.42	5.00	-	-	10.50 (2.70-12.60)	3.170 (0.680-3.990)	13.92	99
22+50+50	1.94	4.23	4.23	-	-	10.40 (2.70-12.60)	3.160 (0.680-4.010)	13.88	99
22+50+60	1.88	4.11	4.51	-	-	10.50 (2.70-12.60)	3.180 (0.680-4.000)	13.97	99
22+50+71	1.88	4.11	4.51	-	-	10.50 (2.70-12.60)	3.170 (0.680-3.990)	13.92	99
22+60+60	1.81	4.34	4.34	-	-	10.50 (2.70-12.60)	3.170 (0.680-3.990)	13.92	99
22+60+71	1.81	4.34	4.34	-	-	10.50 (2.70-12.60)	3.160 (0.680-3.980)	13.88	99
22+71+71	1.81	4.34	4.34	-	-	10.50 (2.70-12.60)	3.150 (0.680-3.970)	13.83	99
25+25+25	3.00	3.00	3.00	-	-	9.00 (2.60-11.60)	2.040 (0.530-3.420)	8.96	99
25+25+35	2.99	2.99	3.32	-	-	9.30 (2.60-11.90)	2.370 (0.580-3.615)	10.41	99
25+25+42	2.74	2.74	4.11	-	-	9.60 (2.60-12.20)	2.601 (0.620-3.755)	11.42	99
25+25+50	2.45	2.45	4.90	-	-	9.80 (2.60-12.40)	2.865 (0.660-3.910)	12.58	99
25+25+60	2.41	2.41	5.28	-	-	10.10 (2.60-12.60)	3.058 (0.680-4.000)	13.43	99
25+25+71	2.48	2.48	5.44	-	-	10.40 (2.70-12.60)	3.132 (0.680-3.990)	13.75	99
25+35+35	3.01	3.34	3.34	-	-	9.70 (2.60-12.30)	2.700 (0.630-3.815)	11.86	99
25+35+50	2.46	2.73	4.91	-	-	10.10 (2.60-12.60)	3.068 (0.680-4.010)	13.47	99
25+35+60	2.42	2.68	5.30	-	-	10.40 (2.70-12.60)	3.134 (0.680-4.000)	13.76	99
25+35+71	2.44	2.71	5.35	-	-	10.50 (2.70-12.60)	3.170 (0.680-3.990)	13.92	99
25+42+42	2.53	3.79	3.79	-	-	10.10 (2.60-12.60)	3.060 (0.680-4.010)	13.44	99
25+42+50	2.29	3.43	4.58	-	-	10.30 (2.70-12.60)	3.121 (0.680-4.010)	13.71	99
25+42+60	2.24	3.36	4.91	-	-	10.50 (2.70-12.60)	3.180 (0.680-4.000)	13.97	99
25+42+71	2.24	3.36	4.91	-	-	10.50 (2.70-12.60)	3.170 (0.680-3.990)	13.92	99
25+50+50	2.10	4.20	4.20	-	-	10.50 (2.70-12.60)	3.182 (0.680-4.010)	13.97	99
25+50+60	2.02	4.04	4.44	-	-	10.50 (2.70-12.60)	3.180 (0.680-4.000)	13.97	99
25+50+71	2.02	4.04	4.44	-	-	10.50 (2.70-12.60)	3.170 (0.680-3.990)	13.92	99
25+60+60	1.95	4.28	4.28	-	-	10.50 (2.70-12.60)	3.170 (0.680-3.990)	13.92	99
25+60+71	1.95	4.28	4.28	-	-	10.50 (2.70-12.60)	3.160 (0.680-3.980)	13.88	99
25+71+71	1.95	4.28	4.28	-	-	10.50 (2.70-12.60)	3.150 (0.680-3.970)	13.83	99

# MXZ-5D102VA HEATING

Indoor units combination	Heating capacity (kW)						Outdoor unit power consumption(kW)	Current (A)	Power factor(%)
	Unit A	Unit B	Unit C	Unit D	Unit E	Total			
35+35+35	3.33	3.33	3.33	-	-	10.00 (2.60-12.60)	3.030 (0.680-4.010)	13.31	99
35+35+42	3.04	3.04	4.11	-	-	10.20 (2.60-12.60)	3.083 (0.680-4.010)	13.54	99
35+35+50	2.74	2.74	4.93	-	-	10.40 (2.70-12.60)	3.144 (0.680-4.010)	13.81	99
35+35+60	2.64	2.64	5.22	-	-	10.50 (2.70-12.60)	3.180 (0.680-4.000)	13.97	99
35+35+71	2.64	2.64	5.22	-	-	10.50 (2.70-12.60)	3.170 (0.680-3.990)	13.92	99
35+42+42	2.78	3.76	3.76	-	-	10.30 (2.70-12.60)	3.137 (0.680-4.010)	13.78	99
35+42+50	2.53	3.42	4.55	-	-	10.50 (2.70-12.60)	3.190 (0.680-4.010)	14.01	99
35+42+60	2.43	3.28	4.79	-	-	10.50 (2.70-12.60)	3.180 (0.680-4.000)	13.97	99
35+42+71	2.43	3.28	4.79	-	-	10.50 (2.70-12.60)	3.170 (0.680-3.990)	13.92	99
35+50+50	2.28	4.11	4.11	-	-	10.50 (2.70-12.60)	3.190 (0.680-4.010)	14.01	99
35+50+60	2.20	3.96	4.34	-	-	10.50 (2.70-12.60)	3.180 (0.680-4.000)	13.97	99
35+50+71	2.20	3.96	4.34	-	-	10.50 (2.70-12.60)	3.170 (0.680-3.990)	13.92	99
35+60+60	2.12	4.19	4.19	-	-	10.50 (2.70-12.60)	3.170 (0.680-3.990)	13.92	99
35+60+71	2.12	4.19	4.19	-	-	10.50 (2.70-12.60)	3.160 (0.680-3.980)	13.88	99
42+42+42	3.50	3.50	3.50	-	-	10.50 (2.70-12.60)	3.190 (0.680-4.010)	14.01	99
42+42+50	3.15	3.15	4.20	-	-	10.50 (2.70-12.60)	3.190 (0.680-4.010)	14.01	99
42+42+60	3.03	3.03	4.44	-	-	10.50 (2.70-12.60)	3.180 (0.680-4.000)	13.97	99
42+42+71	3.03	3.03	4.44	-	-	10.50 (2.70-12.60)	3.170 (0.680-3.990)	13.92	99
42+50+50	2.86	3.82	3.82	-	-	10.50 (2.70-12.60)	3.190 (0.680-4.010)	14.01	99
42+50+60	2.77	3.69	4.05	-	-	10.50 (2.70-12.60)	3.180 (0.680-4.000)	13.97	99
42+50+71	2.77	3.69	4.05	-	-	10.50 (2.70-12.60)	3.170 (0.680-3.990)	13.92	99
42+60+60	2.67	3.91	3.91	-	-	10.50 (2.70-12.60)	3.170 (0.680-3.990)	13.92	99
50+50+50	3.50	3.50	3.50	-	-	10.50 (2.70-12.60)	3.190 (0.680-4.010)	14.01	99
50+50+60	3.39	3.39	3.72	-	-	10.50 (2.70-12.60)	3.180 (0.680-4.000)	13.97	99
50+50+71	3.39	3.39	3.72	-	-	10.50 (2.70-12.60)	3.170 (0.680-3.990)	13.92	99
50+60+60	3.29	3.61	3.61	-	-	10.50 (2.70-12.60)	3.170 (0.680-3.990)	13.92	99
15+15+15+15	1.70	1.70	1.70	1.70	-	6.80 (3.40-8.80)	1.532 (0.790-4.100)	6.73	99
15+15+15+18	1.58	1.58	1.58	3.06	-	7.80 (3.40-9.90)	1.811 (0.740-4.055)	7.95	99
15+15+15+20	1.70	1.70	1.70	2.20	-	7.30 (3.40-10.00)	1.737 (0.790-4.025)	7.63	99
15+15+15+22	1.64	1.64	1.64	3.18	-	8.10 (3.40-10.50)	1.922 (0.740-3.995)	8.44	99
15+15+15+25	1.62	1.62	1.62	3.43	-	8.30 (3.40-10.90)	2.006 (0.740-3.950)	8.81	99
15+15+15+35	1.59	1.59	1.59	3.74	-	8.50 (3.40-11.20)	2.062 (0.740-4.100)	9.06	99
15+15+15+42	1.38	1.38	1.38	4.37	-	8.50 (3.40-11.20)	2.062 (0.740-3.945)	9.06	99
15+15+15+50	1.17	1.17	1.17	4.98	-	8.50 (3.40-11.20)	2.062 (0.740-3.910)	9.06	99
15+15+15+60	1.12	1.12	1.12	5.23	-	8.60 (3.40-11.20)	2.092 (0.740-3.890)	9.19	99
15+15+15+71	1.14	1.14	1.14	5.29	-	8.70 (3.40-11.20)	2.170 (0.740-3.880)	9.53	99
15+15+18+18	1.45	1.45	2.81	2.81	-	8.50 (3.40-11.10)	2.090 (0.690-4.010)	9.18	99
15+15+18+20	1.60	1.60	3.11	2.08	-	8.40 (3.40-11.10)	2.015 (0.740-3.980)	8.85	99
15+15+18+22	1.50	1.50	2.90	2.90	-	8.80 (3.40-11.60)	2.201 (0.690-3.950)	9.67	99
15+15+18+25	1.49	1.49	2.88	3.15	-	9.00 (3.40-11.90)	2.257 (0.690-3.945)	9.91	99
15+15+18+35	1.43	1.43	2.78	3.36	-	9.00 (3.40-11.90)	2.257 (0.690-4.035)	9.91	99

# MXZ-5D102VA HEATING

Indoor units combination	Heating capacity (kW)						Outdoor unit power consumption(kW)	Current (A)	Power factor(%)
	Unit A	Unit B	Unit C	Unit D	Unit E	Total			
15+15+18+42	1.26	1.26	2.45	4.02	-	9.00 (3.40-11.90)	2.257 (0.690-3.915)	9.91	99
15+15+18+50	1.10	1.10	2.14	4.66	-	9.00 (3.40-11.90)	2.257 (0.690-3.905)	9.91	99
15+15+18+60	1.06	1.06	2.06	4.92	-	9.10 (3.40-11.90)	2.311 (0.690-3.890)	10.15	99
15+15+18+71	1.07	1.07	2.08	4.98	-	9.20 (3.40-11.90)	2.389 (0.690-3.880)	10.49	99
15+15+20+20	1.70	1.70	2.20	2.20	-	7.80 (3.40-11.20)	1.941 (0.790-3.950)	8.52	99
15+15+20+22	1.66	1.66	2.15	3.23	-	8.70 (3.40-11.70)	2.127 (0.740-3.920)	9.34	99
15+15+20+25	1.61	1.61	2.08	3.40	-	8.70 (3.40-11.70)	2.127 (0.740-3.990)	9.34	99
15+15+20+35	1.54	1.54	1.99	3.63	-	8.70 (3.40-11.70)	2.127 (0.740-3.990)	9.34	99
15+15+20+42	1.34	1.34	1.74	4.27	-	8.70 (3.40-11.70)	2.127 (0.740-3.915)	9.34	99
15+15+20+50	1.16	1.16	1.50	4.89	-	8.70 (3.40-11.70)	2.127 (0.740-3.900)	9.34	99
15+15+20+60	1.11	1.11	1.43	5.15	-	8.80 (3.40-11.70)	2.197 (0.740-3.890)	9.65	99
15+15+20+71	1.13	1.13	1.47	5.27	-	9.00 (3.40-11.70)	2.275 (0.740-3.880)	9.99	99
15+15+22+22	1.53	1.53	2.97	2.97	-	9.00 (3.40-11.90)	2.257 (0.690-3.965)	9.91	99
15+15+22+25	1.49	1.49	2.88	3.15	-	9.00 (3.40-11.90)	2.257 (0.690-4.035)	9.91	99
15+15+22+35	1.43	1.43	2.78	3.36	-	9.00 (3.40-11.90)	2.257 (0.690-3.945)	9.91	99
15+15+22+42	1.26	1.26	2.45	4.02	-	9.00 (3.40-11.90)	2.257 (0.690-3.910)	9.91	99
15+15+22+60	1.07	1.07	2.08	4.98	-	9.20 (3.40-11.90)	2.343 (0.690-3.890)	10.29	99
15+15+22+71	1.08	1.08	2.10	5.03	-	9.30 (3.40-11.90)	2.421 (0.690-3.880)	10.63	99
15+15+25+25	1.44	1.44	3.06	3.06	-	9.00 (3.40-11.90)	2.257 (0.690-4.100)	9.91	99
15+15+25+35	1.39	1.39	2.95	3.27	-	9.00 (3.40-11.90)	2.257 (0.690-3.915)	9.91	99
15+15+25+42	1.23	1.23	2.61	3.92	-	9.00 (3.40-11.90)	2.257 (0.690-3.905)	9.91	99
15+15+25+50	1.09	1.09	2.31	4.61	-	9.10 (3.40-11.90)	2.297 (0.690-3.900)	10.09	99
15+15+25+60	1.05	1.05	2.22	4.88	-	9.20 (3.40-11.90)	2.367 (0.690-3.890)	10.40	99
15+15+25+71	1.06	1.06	2.25	4.93	-	9.30 (3.40-11.90)	2.445 (0.690-3.880)	10.74	99
15+15+35+35	1.34	1.34	3.16	3.16	-	9.00 (3.40-11.90)	2.257 (0.690-3.900)	9.91	99
15+15+35+42	1.21	1.21	2.84	3.84	-	9.10 (3.40-11.90)	2.313 (0.690-3.900)	10.16	99
15+15+35+50	1.07	1.07	2.52	4.54	-	9.20 (3.40-11.90)	2.377 (0.690-3.900)	10.44	99
15+15+35+60	1.03	1.03	2.43	4.80	-	9.30 (3.40-11.90)	2.447 (0.690-3.890)	10.75	99
15+15+35+71	1.06	1.06	2.48	4.91	-	9.50 (3.40-11.90)	2.525 (0.690-3.880)	11.09	99
15+15+42+42	1.10	1.10	3.50	3.50	-	9.20 (3.40-11.90)	2.369 (0.690-3.900)	10.40	99
15+15+42+50	0.99	0.99	3.14	4.19	-	9.30 (3.40-11.90)	2.433 (0.690-3.900)	10.69	99
15+15+42+60	0.96	0.96	3.04	4.45	-	9.40 (3.40-11.90)	2.503 (0.690-3.890)	10.99	99
15+15+42+71	0.97	0.97	3.07	4.49	-	9.50 (3.40-11.90)	2.557 (0.690-3.880)	11.23	99
15+15+50+50	0.90	0.90	3.80	3.80	-	9.40 (3.40-11.90)	2.497 (0.690-3.900)	10.97	99
15+15+50+60	0.87	0.87	3.70	4.06	-	9.50 (3.40-11.90)	2.567 (0.690-3.890)	11.27	99
15+15+50+71	0.87	0.87	3.70	4.06	-	9.50 (3.40-11.90)	2.557 (0.690-3.880)	11.23	99
15+15+60+60	0.84	0.84	3.91	3.91	-	9.50 (3.40-11.90)	2.557 (0.690-3.880)	11.23	99
15+15+60+71	0.84	0.84	3.91	3.91	-	9.50 (3.40-11.90)	2.547 (0.690-3.870)	11.19	99
15+15+71+71	0.84	0.84	3.91	3.91	-	9.50 (3.40-11.90)	2.537 (0.690-3.860)	11.14	99
15+18+18+18	1.36	2.65	2.65	2.65	-	9.30 (3.40-12.20)	2.368 (0.640-3.965)	10.40	99
15+18+18+20	1.47	2.86	2.86	1.91	-	9.10 (3.40-12.30)	2.294 (0.690-3.935)	10.07	99

# MXZ-5D102VA HEATING

Indoor units combination	Heating capacity (kW)					Outdoor unit power consumption(kW)	Current (A)	Power factor(%)	
	Unit A	Unit B	Unit C	Unit D	Unit E				Total
15+18+18+22	1.39	2.70	2.70	2.70	-	9.50 (3.40-12.60)	2.452 (0.640-3.945)	10.77	99
15+18+18+25	1.36	2.63	2.63	2.87	-	9.50 (3.40-12.60)	2.452 (0.640-4.010)	10.77	99
15+18+18+35	1.31	2.55	2.55	3.09	-	9.50 (3.40-12.60)	2.452 (0.640-3.965)	10.77	99
15+18+18+42	1.18	2.29	2.29	3.74	-	9.50 (3.40-12.60)	2.452 (0.640-3.910)	10.77	99
15+18+18+50	1.04	2.02	2.02	4.41	-	9.50 (3.40-12.60)	2.460 (0.640-3.900)	10.80	99
15+18+18+60	1.01	1.96	1.96	4.68	-	9.60 (3.40-12.60)	2.530 (0.640-3.890)	11.11	99
15+18+18+71	1.03	2.00	2.00	4.78	-	9.80 (3.40-12.60)	2.608 (0.640-3.880)	11.45	99
15+18+20+20	1.61	3.12	2.08	2.08	-	8.90 (3.40-12.20)	2.192 (0.740-3.945)	9.63	99
15+18+20+22	1.49	2.89	1.93	2.89	-	9.20 (3.40-12.40)	2.322 (0.690-3.990)	10.20	99
15+18+20+25	1.45	2.81	1.87	3.07	-	9.20 (3.40-12.40)	2.322 (0.690-4.055)	10.20	99
15+18+20+35	1.40	2.71	1.81	3.29	-	9.20 (3.40-12.40)	2.322 (0.690-3.920)	10.20	99
15+18+20+42	1.24	2.41	1.61	3.94	-	9.20 (3.40-12.40)	2.322 (0.690-3.910)	10.20	99
15+18+20+50	1.09	2.11	1.41	4.60	-	9.20 (3.40-12.40)	2.346 (0.690-3.900)	10.30	99
15+18+20+60	1.06	2.05	1.37	4.92	-	9.40 (3.40-12.40)	2.416 (0.690-3.890)	10.61	99
15+18+20+71	1.07	2.08	1.38	4.97	-	9.50 (3.40-12.40)	2.494 (0.690-3.880)	10.95	99
15+18+22+22	1.39	2.70	2.70	2.70	-	9.50 (3.40-12.60)	2.452 (0.640-4.035)	10.77	99
15+18+22+25	1.36	2.63	2.63	2.87	-	9.50 (3.40-12.60)	2.452 (0.640-4.100)	10.77	99
15+18+22+35	1.31	2.55	2.55	3.09	-	9.50 (3.40-12.60)	2.452 (0.640-3.915)	10.77	99
15+18+22+42	1.18	2.29	2.29	3.74	-	9.50 (3.40-12.60)	2.452 (0.640-3.905)	10.77	99
15+18+22+50	1.05	2.04	2.04	4.46	-	9.60 (3.40-12.60)	2.492 (0.640-3.900)	10.94	99
15+18+22+60	1.02	1.98	1.98	4.73	-	9.70 (3.40-12.60)	2.562 (0.640-3.890)	11.25	99
15+18+22+71	1.03	2.00	2.00	4.78	-	9.80 (3.40-12.60)	2.640 (0.640-3.880)	11.59	99
15+18+25+25	1.32	2.57	2.80	2.80	-	9.50 (3.40-12.60)	2.452 (0.640-4.035)	10.77	99
15+18+25+35	1.28	2.49	2.71	3.02	-	9.50 (3.40-12.60)	2.452 (0.640-3.910)	10.77	99
15+18+25+42	1.15	2.24	2.44	3.66	-	9.50 (3.40-12.60)	2.452 (0.640-3.900)	10.77	99
15+18+25+50	1.03	2.01	2.19	4.37	-	9.60 (3.40-12.60)	2.516 (0.640-3.900)	11.05	99
15+18+25+60	1.00	1.94	2.12	4.64	-	9.70 (3.40-12.60)	2.586 (0.640-3.890)	11.36	99
15+18+25+71	1.02	1.98	2.16	4.74	-	9.90 (3.40-12.60)	2.664 (0.640-3.880)	11.70	99
15+18+35+35	1.24	2.41	2.92	2.92	-	9.50 (3.40-12.60)	2.476 (0.640-3.900)	10.87	99
15+18+35+42	1.13	2.20	2.67	3.60	-	9.60 (3.40-12.60)	2.532 (0.640-3.900)	11.12	99
15+18+35+50	1.02	1.98	2.40	4.31	-	9.70 (3.40-12.60)	2.596 (0.640-3.900)	11.40	99
15+18+35+60	1.00	1.93	2.34	4.63	-	9.90 (3.40-12.60)	2.666 (0.640-3.890)	11.71	99
15+18+35+71	1.01	1.95	2.37	4.67	-	10.00 (3.40-12.60)	2.744 (0.640-3.880)	12.05	99
15+18+42+42	1.04	2.03	3.32	3.32	-	9.70 (3.40-12.60)	2.588 (0.640-3.900)	11.37	99
15+18+42+50	0.95	1.84	3.01	4.01	-	9.80 (3.40-12.60)	2.652 (0.640-3.900)	11.65	99
15+18+42+60	0.92	1.79	2.92	4.27	-	9.90 (3.40-12.60)	2.722 (0.640-3.890)	11.95	99
15+18+42+71	0.93	1.80	2.95	4.32	-	10.00 (3.40-12.60)	2.752 (0.640-3.880)	12.09	99
15+18+50+50	0.87	1.68	3.67	3.67	-	9.90 (3.40-12.60)	2.716 (0.640-3.900)	11.93	99
15+18+50+60	0.85	1.64	3.58	3.93	-	10.00 (3.40-12.60)	2.762 (0.640-3.890)	12.13	99
15+18+50+71	0.85	1.64	3.58	3.93	-	10.00 (3.40-12.60)	2.752 (0.640-3.880)	12.09	99
15+18+60+60	0.82	1.59	3.80	3.80	-	10.00 (3.40-12.60)	2.752 (0.640-3.880)	12.09	99



# MXZ-5D102VA HEATING

Indoor units combination	Heating capacity (kW)						Outdoor unit power consumption(kW)	Current (A)	Power factor(%)
	Unit A	Unit B	Unit C	Unit D	Unit E	Total			
15+18+60+71	0.82	1.59	3.80	3.80	-	10.00 (3.40-12.60)	2.742 (0.640-3.870)	12.04	99
15+20+20+20	1.70	2.20	2.20	2.20	-	8.30 (3.40-12.00)	2.062 (0.790-3.990)	9.06	99
15+20+20+22	1.61	2.08	2.08	3.12	-	8.90 (3.40-12.20)	2.192 (0.740-4.035)	9.63	99
15+20+20+25	1.56	2.02	2.02	3.30	-	8.90 (3.40-12.20)	2.192 (0.740-4.100)	9.63	99
15+20+20+35	1.50	1.94	1.94	3.52	-	8.90 (3.40-12.20)	2.192 (0.740-3.915)	9.63	99
15+20+20+42	1.32	1.70	1.70	4.18	-	8.90 (3.40-12.20)	2.192 (0.740-3.905)	9.63	99
15+20+20+50	1.15	1.49	1.49	4.87	-	9.00 (3.40-12.20)	2.232 (0.740-3.900)	9.80	99
15+20+20+60	1.11	1.43	1.43	5.14	-	9.10 (3.40-12.20)	2.302 (0.740-3.890)	10.11	99
15+20+20+71	1.12	1.45	1.45	5.19	-	9.20 (3.40-12.20)	2.380 (0.740-3.880)	10.45	99
15+20+22+22	1.49	1.93	2.89	2.89	-	9.20 (3.40-12.40)	2.322 (0.690-4.080)	10.20	99
15+20+22+25	1.45	1.87	2.81	3.07	-	9.20 (3.40-12.40)	2.322 (0.690-4.055)	10.20	99
15+20+22+35	1.40	1.81	2.71	3.29	-	9.20 (3.40-12.40)	2.322 (0.690-3.915)	10.20	99
15+20+22+42	1.24	1.61	2.41	3.94	-	9.20 (3.40-12.40)	2.322 (0.690-3.900)	10.20	99
15+20+22+50	1.10	1.42	2.13	4.65	-	9.30 (3.40-12.40)	2.378 (0.690-3.900)	10.44	99
15+20+22+60	1.06	1.37	2.05	4.92	-	9.40 (3.40-12.40)	2.448 (0.690-3.890)	10.75	99
15+20+22+71	1.08	1.40	2.10	5.02	-	9.60 (3.40-12.40)	2.526 (0.690-3.880)	11.09	99
15+20+25+25	1.41	1.82	2.98	2.98	-	9.20 (3.40-12.40)	2.322 (0.690-3.990)	10.20	99
15+20+25+35	1.36	1.76	2.88	3.20	-	9.20 (3.40-12.40)	2.322 (0.690-3.910)	10.20	99
15+20+25+50	1.08	1.39	2.28	4.56	-	9.30 (3.40-12.40)	2.402 (0.690-3.900)	10.55	99
15+20+25+60	1.05	1.36	2.22	4.87	-	9.50 (3.40-12.40)	2.472 (0.690-3.890)	10.86	99
15+20+25+71	1.06	1.37	2.24	4.92	-	9.60 (3.40-12.40)	2.550 (0.690-3.880)	11.20	99
15+20+35+35	1.33	1.72	3.13	3.13	-	9.30 (3.40-12.40)	2.362 (0.690-3.900)	10.37	99
15+20+35+42	1.20	1.55	2.83	3.82	-	9.40 (3.40-12.40)	2.418 (0.690-3.900)	10.62	99
15+20+35+50	1.07	1.38	2.52	4.53	-	9.50 (3.40-12.40)	2.482 (0.690-3.900)	10.90	99
15+20+35+60	1.03	1.34	2.43	4.80	-	9.60 (3.40-12.40)	2.552 (0.690-3.890)	11.21	99
15+20+35+71	1.04	1.35	2.46	4.85	-	9.70 (3.40-12.40)	2.622 (0.690-3.880)	11.52	99
15+20+42+42	1.09	1.41	3.45	3.45	-	9.40 (3.40-12.40)	2.474 (0.690-3.900)	10.87	99
15+20+42+50	0.98	1.27	3.11	4.15	-	9.50 (3.40-12.40)	2.538 (0.690-3.900)	11.15	99
15+20+42+60	0.96	1.24	3.05	4.46	-	9.70 (3.40-12.40)	2.608 (0.690-3.890)	11.45	99
15+20+42+71	0.96	1.24	3.05	4.46	-	9.70 (3.40-12.40)	2.622 (0.690-3.880)	11.52	99
15+20+50+50	0.89	1.15	3.78	3.78	-	9.60 (3.40-12.40)	2.602 (0.690-3.900)	11.43	99
15+20+50+60	0.87	1.12	3.68	4.03	-	9.70 (3.40-12.40)	2.632 (0.690-3.890)	11.56	99
15+20+50+71	0.87	1.12	3.68	4.03	-	9.70 (3.40-12.40)	2.622 (0.690-3.880)	11.52	99
15+20+60+60	0.84	1.08	3.89	3.89	-	9.70 (3.40-12.40)	2.622 (0.690-3.880)	11.52	99
15+20+60+71	0.84	1.08	3.89	3.89	-	9.70 (3.40-12.40)	2.612 (0.690-3.870)	11.47	99
15+22+22+22	1.39	2.70	2.70	2.70	-	9.50 (3.40-12.60)	2.452 (0.640-4.080)	10.77	99
15+22+22+25	1.36	2.63	2.63	2.87	-	9.50 (3.40-12.60)	2.452 (0.640-4.010)	10.77	99
15+22+22+35	1.31	2.55	2.55	3.09	-	9.50 (3.40-12.60)	2.452 (0.640-3.910)	10.77	99
15+22+22+42	1.18	2.29	2.29	3.74	-	9.50 (3.40-12.60)	2.460 (0.640-3.900)	10.80	99
15+22+22+50	1.05	2.04	2.04	4.46	-	9.60 (3.40-12.60)	2.524 (0.640-3.900)	11.08	99
15+22+22+60	1.02	1.98	1.98	4.73	-	9.70 (3.40-12.60)	2.594 (0.640-3.890)	11.39	99

# MXZ-5D102VA HEATING

Indoor units combination	Heating capacity (kW)						Outdoor unit power consumption(kW)	Current (A)	Power factor(%)
	Unit A	Unit B	Unit C	Unit D	Unit E	Total			
15+22+22+71	1.04	2.02	2.02	4.83	-	9.90 (3.40-12.60)	2.672 (0.640-3.880)	11.73	99
15+22+25+25	1.32	2.57	2.80	2.80	-	9.50 (3.40-12.60)	2.452 (0.640-3.945)	10.77	99
15+22+25+35	1.28	2.49	2.71	3.02	-	9.50 (3.40-12.60)	2.452 (0.640-3.905)	10.77	99
15+22+25+42	1.17	2.26	2.47	3.70	-	9.60 (3.40-12.60)	2.484 (0.640-3.900)	10.91	99
15+22+25+50	1.04	2.03	2.21	4.42	-	9.70 (3.40-12.60)	2.548 (0.640-3.900)	11.19	99
15+22+25+60	1.01	1.96	2.14	4.69	-	9.80 (3.40-12.60)	2.618 (0.640-3.890)	11.50	99
15+22+25+71	1.02	1.98	2.16	4.74	-	9.90 (3.40-12.60)	2.696 (0.640-3.880)	11.84	99
15+22+35+35	1.26	2.44	2.95	2.95	-	9.60 (3.40-12.60)	2.508 (0.640-3.900)	11.01	99
15+22+35+42	1.15	2.22	2.69	3.64	-	9.70 (3.40-12.60)	2.564 (0.640-3.900)	11.26	99
15+22+35+50	1.03	2.00	2.42	4.36	-	9.80 (3.40-12.60)	2.628 (0.640-3.900)	11.54	99
15+22+35+60	1.00	1.93	2.34	4.63	-	9.90 (3.40-12.60)	2.698 (0.640-3.890)	11.85	99
15+22+35+71	1.01	1.95	2.37	4.67	-	10.00 (3.40-12.60)	2.752 (0.640-3.880)	12.09	99
15+22+42+42	1.05	2.05	3.35	3.35	-	9.80 (3.40-12.60)	2.620 (0.640-3.900)	11.51	99
15+22+42+50	0.96	1.86	3.04	4.05	-	9.90 (3.40-12.60)	2.684 (0.640-3.900)	11.79	99
15+22+42+60	0.93	1.80	2.95	4.32	-	10.00 (3.40-12.60)	2.754 (0.640-3.890)	12.09	99
15+22+42+71	0.93	1.80	2.95	4.32	-	10.00 (3.40-12.60)	2.752 (0.640-3.880)	12.09	99
15+22+50+50	0.88	1.70	3.71	3.71	-	10.00 (3.40-12.60)	2.748 (0.640-3.900)	12.07	99
15+22+50+60	0.85	1.64	3.58	3.93	-	10.00 (3.40-12.60)	2.762 (0.640-3.890)	12.13	99
15+22+50+71	0.85	1.64	3.58	3.93	-	10.00 (3.40-12.60)	2.752 (0.640-3.880)	12.09	99
15+22+60+60	0.82	1.59	3.80	3.80	-	10.00 (3.40-12.60)	2.752 (0.640-3.880)	12.09	99
15+22+60+71	0.82	1.59	3.80	3.80	-	10.00 (3.40-12.60)	2.742 (0.640-3.870)	12.04	99
15+25+25+25	1.29	2.74	2.74	2.74	-	9.50 (3.40-12.60)	2.452 (0.640-3.915)	10.77	99
15+25+25+35	1.25	2.65	2.65	2.95	-	9.50 (3.40-12.60)	2.452 (0.640-3.900)	10.77	99
15+25+25+42	1.14	2.42	2.42	3.63	-	9.60 (3.40-12.60)	2.508 (0.640-3.900)	11.01	99
15+25+25+50	1.02	2.17	2.17	4.34	-	9.70 (3.40-12.60)	2.572 (0.640-3.900)	11.30	99
15+25+25+60	0.99	2.10	2.10	4.61	-	9.80 (3.40-12.60)	2.642 (0.640-3.890)	11.60	99
15+25+25+71	1.01	2.14	2.14	4.70	-	10.00 (3.40-12.60)	2.720 (0.640-3.880)	11.95	99
15+25+35+35	1.23	2.60	2.89	2.89	-	9.60 (3.40-12.60)	2.532 (0.640-3.900)	11.12	99
15+25+35+42	1.12	2.38	2.64	3.56	-	9.70 (3.40-12.60)	2.588 (0.640-3.900)	11.37	99
15+25+35+50	1.01	2.14	2.38	4.28	-	9.80 (3.40-12.60)	2.652 (0.640-3.900)	11.65	99
15+25+35+60	0.98	2.07	2.30	4.55	-	9.90 (3.40-12.60)	2.722 (0.640-3.890)	11.95	99
15+25+35+71	0.99	2.09	2.33	4.59	-	10.00 (3.40-12.60)	2.752 (0.640-3.880)	12.09	99
15+25+42+42	1.03	2.19	3.29	3.29	-	9.80 (3.40-12.60)	2.644 (0.640-3.900)	11.61	99
15+25+42+50	0.94	1.99	2.99	3.98	-	9.90 (3.40-12.60)	2.708 (0.640-3.900)	11.89	99
15+25+42+60	0.91	1.94	2.90	4.25	-	10.00 (3.40-12.60)	2.762 (0.640-3.890)	12.13	99
15+25+42+71	0.91	1.94	2.90	4.25	-	10.00 (3.40-12.60)	2.752 (0.640-3.880)	12.09	99
15+25+50+50	0.86	1.83	3.65	3.65	-	10.00 (3.40-12.60)	2.772 (0.640-3.900)	12.17	99
15+25+50+60	0.83	1.76	3.53	3.87	-	10.00 (3.40-12.60)	2.762 (0.640-3.890)	12.13	99
15+25+50+71	0.83	1.76	3.53	3.87	-	10.00 (3.40-12.60)	2.752 (0.640-3.880)	12.09	99
15+25+60+60	0.81	1.71	3.74	3.74	-	10.00 (3.40-12.60)	2.752 (0.640-3.880)	12.09	99
15+25+60+71	0.81	1.71	3.74	3.74	-	10.00 (3.40-12.60)	2.742 (0.640-3.870)	12.04	99

# MXZ-5D102VA HEATING

Indoor units combination	Heating capacity (kW)						Outdoor unit power consumption(kW)	Current (A)	Power factor(%)
	Unit A	Unit B	Unit C	Unit D	Unit E	Total			
15+35+35+35	1.22	2.86	2.86	2.86	-	9.80 (3.40-12.60)	2.612 (0.640-3.900)	11.47	99
15+35+35+42	1.10	2.60	2.60	3.50	-	9.80 (3.40-12.60)	2.668 (0.640-3.900)	11.72	99
15+35+35+50	1.00	2.34	2.34	4.22	-	9.90 (3.40-12.60)	2.732 (0.640-3.900)	12.00	99
15+35+35+60	0.97	2.27	2.27	4.49	-	10.00 (3.40-12.60)	2.762 (0.640-3.890)	12.13	99
15+35+35+71	0.97	2.27	2.27	4.49	-	10.00 (3.40-12.60)	2.752 (0.640-3.880)	12.09	99
15+35+42+42	1.02	2.40	3.24	3.24	-	9.90 (3.40-12.60)	2.724 (0.640-3.900)	11.96	99
15+35+42+50	0.93	2.19	2.95	3.93	-	10.00 (3.40-12.60)	2.772 (0.640-3.900)	12.17	99
15+35+42+60	0.89	2.11	2.84	4.16	-	10.00 (3.40-12.60)	2.762 (0.640-3.890)	12.13	99
15+35+42+71	0.89	2.11	2.84	4.16	-	10.00 (3.40-12.60)	2.752 (0.640-3.880)	12.09	99
15+35+50+50	0.85	1.99	3.58	3.58	-	10.00 (3.40-12.60)	2.772 (0.640-3.900)	12.17	99
15+35+50+60	0.82	1.92	3.46	3.80	-	10.00 (3.40-12.60)	2.762 (0.640-3.890)	12.13	99
15+35+50+71	0.82	1.92	3.46	3.80	-	10.00 (3.40-12.60)	2.752 (0.640-3.880)	12.09	99
15+35+60+60	0.79	1.86	3.67	3.67	-	10.00 (3.40-12.60)	2.752 (0.640-3.880)	12.09	99
15+42+42+42	0.95	3.02	3.02	3.02	-	10.00 (3.40-12.60)	2.772 (0.640-3.900)	12.17	99
15+42+42+50	0.86	2.74	2.74	3.65	-	10.00 (3.40-12.60)	2.772 (0.640-3.900)	12.17	99
15+42+42+60	0.83	2.65	2.65	3.87	-	10.00 (3.40-12.60)	2.762 (0.640-3.890)	12.13	99
15+42+42+71	0.83	2.65	2.65	3.87	-	10.00 (3.40-12.60)	2.752 (0.640-3.880)	12.09	99
15+42+50+50	0.79	2.51	3.35	3.35	-	10.00 (3.40-12.60)	2.772 (0.640-3.900)	12.17	99
15+42+50+60	0.77	2.43	3.24	3.56	-	10.00 (3.40-12.60)	2.762 (0.640-3.890)	12.13	99
15+50+50+50	0.73	3.09	3.09	3.09	-	10.00 (3.40-12.60)	2.772 (0.640-3.900)	12.17	99
18+18+18+18	2.50	2.50	2.50	2.50	-	10.00 (3.40-13.30)	2.647 (0.590-3.920)	11.62	99
18+18+18+20	2.65	2.65	2.65	1.76	-	9.70 (3.40-13.10)	2.517 (0.640-3.965)	11.05	99
18+18+18+22	2.50	2.50	2.50	2.50	-	10.00 (3.40-13.30)	2.647 (0.590-4.010)	11.62	99
18+18+18+25	2.44	2.44	2.44	2.67	-	10.00 (3.40-13.30)	2.647 (0.590-4.080)	11.62	99
18+18+18+35	2.37	2.37	2.37	2.88	-	10.00 (3.40-13.30)	2.647 (0.590-3.920)	11.62	99
18+18+18+42	2.16	2.16	2.16	3.53	-	10.00 (3.40-13.30)	2.647 (0.590-3.905)	11.62	99
18+18+18+50	1.95	1.95	1.95	4.25	-	10.10 (3.40-13.30)	2.679 (0.590-3.900)	11.77	99
18+18+18+60	1.89	1.89	1.89	4.53	-	10.20 (3.40-13.30)	2.749 (0.590-3.890)	12.07	99
18+18+18+71	1.91	1.91	1.91	4.57	-	10.30 (3.40-13.30)	2.827 (0.590-3.880)	12.42	99
18+18+20+20	2.82	2.82	1.88	1.88	-	9.40 (3.40-12.90)	2.387 (0.690-4.010)	10.48	99
18+18+20+22	2.65	2.65	1.76	2.65	-	9.70 (3.40-13.10)	2.517 (0.640-4.055)	11.05	99
18+18+20+25	2.58	2.58	1.72	2.82	-	9.70 (3.40-13.10)	2.517 (0.640-4.080)	11.05	99
18+18+20+35	2.50	2.50	1.67	3.03	-	9.70 (3.40-13.10)	2.517 (0.640-3.915)	11.05	99
18+18+20+42	2.25	2.25	1.50	3.69	-	9.70 (3.40-13.10)	2.517 (0.640-3.905)	11.05	99
18+18+20+50	2.02	2.02	1.35	4.41	-	9.80 (3.40-13.10)	2.565 (0.640-3.900)	11.26	99
18+18+20+60	1.96	1.96	1.30	4.68	-	9.90 (3.40-13.10)	2.635 (0.640-3.890)	11.57	99
18+18+20+71	1.98	1.98	1.32	4.73	-	10.00 (3.40-13.10)	2.713 (0.640-3.880)	11.91	99
18+18+22+22	2.50	2.50	2.50	2.50	-	10.00 (3.40-13.30)	2.647 (0.590-4.100)	11.62	99
18+18+22+25	2.44	2.44	2.44	2.67	-	10.00 (3.40-13.30)	2.647 (0.590-4.035)	11.62	99
18+18+22+35	2.37	2.37	2.37	2.88	-	10.00 (3.40-13.30)	2.647 (0.590-3.910)	11.62	99
18+18+22+42	2.16	2.16	2.16	3.53	-	10.00 (3.40-13.30)	2.647 (0.590-3.900)	11.62	99

# MXZ-5D102VA HEATING

Indoor units combination	Heating capacity (kW)						Outdoor unit power consumption(kW)	Current (A)	Power factor(%)
	Unit A	Unit B	Unit C	Unit D	Unit E	Total			
18+18+22+50	1.95	1.95	1.95	4.25	-	10.10 (3.40-13.30)	2.711 (0.590-3.900)	11.91	99
18+18+22+60	1.89	1.89	1.89	4.53	-	10.20 (3.40-13.30)	2.781 (0.590-3.890)	12.21	99
18+18+22+71	1.93	1.93	1.93	4.62	-	10.40 (3.40-13.30)	2.859 (0.590-3.880)	12.56	99
18+18+25+25	2.39	2.39	2.61	2.61	-	10.00 (3.40-13.30)	2.647 (0.590-3.965)	11.62	99
18+18+25+35	2.32	2.32	2.54	2.82	-	10.00 (3.40-13.30)	2.647 (0.590-3.905)	11.62	99
18+18+25+42	2.12	2.12	2.31	3.46	-	10.00 (3.40-13.30)	2.671 (0.590-3.900)	11.73	99
18+18+25+50	1.92	1.92	2.09	4.18	-	10.10 (3.40-13.30)	2.735 (0.590-3.900)	12.01	99
18+18+25+60	1.88	1.88	2.05	4.50	-	10.30 (3.40-13.30)	2.805 (0.590-3.890)	12.32	99
18+18+25+71	1.90	1.90	2.07	4.54	-	10.40 (3.40-13.30)	2.883 (0.590-3.880)	12.66	99
18+18+35+35	2.28	2.28	2.77	2.77	-	10.10 (3.40-13.30)	2.695 (0.590-3.900)	11.84	99
18+18+35+42	2.10	2.10	2.55	3.44	-	10.20 (3.40-13.30)	2.751 (0.590-3.900)	12.08	99
18+18+35+50	1.91	1.91	2.31	4.17	-	10.30 (3.40-13.30)	2.815 (0.590-3.900)	12.36	99
18+18+35+60	1.86	1.86	2.25	4.44	-	10.40 (3.40-13.30)	2.885 (0.590-3.890)	12.67	99
18+18+35+71	1.87	1.87	2.27	4.48	-	10.50 (3.40-13.30)	2.947 (0.590-3.880)	12.94	99
18+18+42+42	1.95	1.95	3.20	3.20	-	10.30 (3.40-13.30)	2.807 (0.590-3.900)	12.33	99
18+18+42+50	1.79	1.79	2.93	3.90	-	10.40 (3.40-13.30)	2.871 (0.590-3.900)	12.61	99
18+18+42+60	1.74	1.74	2.85	4.17	-	10.50 (3.40-13.30)	2.941 (0.590-3.890)	12.92	99
18+18+42+71	1.74	1.74	2.85	4.17	-	10.50 (3.40-13.30)	2.947 (0.590-3.880)	12.94	99
18+18+50+50	1.65	1.65	3.60	3.60	-	10.50 (3.40-13.30)	2.935 (0.590-3.900)	12.89	99
18+18+50+60	1.60	1.60	3.48	3.82	-	10.50 (3.40-13.30)	2.957 (0.590-3.890)	12.99	99
18+18+50+71	1.60	1.60	3.48	3.82	-	10.50 (3.40-13.30)	2.947 (0.590-3.880)	12.94	99
18+18+60+60	1.55	1.55	3.70	3.70	-	10.50 (3.40-13.30)	2.947 (0.590-3.880)	12.94	99
18+18+60+71	1.55	1.55	3.70	3.70	-	10.50 (3.40-13.30)	2.937 (0.590-3.870)	12.90	99
18+20+20+20	3.03	2.02	2.02	2.02	-	9.10 (3.40-12.70)	2.257 (0.740-4.055)	9.91	99
18+20+20+22	2.82	1.88	1.88	2.82	-	9.40 (3.40-12.90)	2.387 (0.690-4.100)	10.48	99
18+20+20+25	2.75	1.83	1.83	2.99	-	9.40 (3.40-12.90)	2.387 (0.690-4.035)	10.48	99
18+20+20+35	2.65	1.77	1.77	3.21	-	9.40 (3.40-12.90)	2.387 (0.690-3.910)	10.48	99
18+20+20+42	2.37	1.58	1.58	3.87	-	9.40 (3.40-12.90)	2.387 (0.690-3.900)	10.48	99
18+20+20+50	2.10	1.40	1.40	4.59	-	9.50 (3.40-12.90)	2.451 (0.690-3.900)	10.76	99
18+20+20+60	2.03	1.35	1.35	4.86	-	9.60 (3.40-12.90)	2.521 (0.690-3.890)	11.07	99
18+20+20+71	2.07	1.38	1.38	4.96	-	9.80 (3.40-12.90)	2.599 (0.690-3.880)	11.41	99
18+20+22+22	2.65	1.76	2.65	2.65	-	9.70 (3.40-13.10)	2.517 (0.640-4.055)	11.05	99
18+20+22+25	2.58	1.72	2.58	2.82	-	9.70 (3.40-13.10)	2.517 (0.640-3.990)	11.05	99
18+20+22+35	2.50	1.67	2.50	3.03	-	9.70 (3.40-13.10)	2.517 (0.640-3.910)	11.05	99
18+20+22+50	2.02	1.35	2.02	4.41	-	9.80 (3.40-13.10)	2.597 (0.640-3.900)	11.41	99
18+20+22+60	1.98	1.32	1.98	4.73	-	10.00 (3.40-13.10)	2.667 (0.640-3.890)	11.71	99
18+20+22+71	2.00	1.33	2.00	4.78	-	10.10 (3.40-13.10)	2.745 (0.640-3.880)	12.06	99
18+20+25+25	2.52	1.68	2.75	2.75	-	9.70 (3.40-13.10)	2.517 (0.640-3.920)	11.05	99
18+20+25+35	2.44	1.63	2.67	2.96	-	9.70 (3.40-13.10)	2.517 (0.640-3.905)	11.05	99
18+20+25+42	2.23	1.49	2.43	3.65	-	9.80 (3.40-13.10)	2.557 (0.640-3.900)	11.23	99
18+20+25+50	2.00	1.34	2.19	4.37	-	9.90 (3.40-13.10)	2.621 (0.640-3.900)	11.51	99

# MXZ-5D102VA HEATING

Indoor units combination	Heating capacity (kW)						Outdoor unit power consumption(kW)	Current (A)	Power factor(%)
	Unit A	Unit B	Unit C	Unit D	Unit E	Total			
18+20+25+60	1.94	1.29	2.12	4.65	-	10.00 (3.40-13.10)	2.691 (0.640-3.890)	11.82	99
18+20+25+71	1.96	1.31	2.14	4.69	-	10.10 (3.40-13.10)	2.769 (0.640-3.880)	12.16	99
18+20+35+35	2.40	1.60	2.90	2.90	-	9.80 (3.40-13.10)	2.581 (0.640-3.900)	11.34	99
18+20+35+42	2.19	1.46	2.66	3.59	-	9.90 (3.40-13.10)	2.637 (0.640-3.900)	11.58	99
18+20+35+50	1.98	1.32	2.40	4.31	-	10.00 (3.40-13.10)	2.701 (0.640-3.900)	11.86	99
18+20+35+60	1.92	1.28	2.32	4.59	-	10.10 (3.40-13.10)	2.771 (0.640-3.890)	12.17	99
18+20+35+71	1.93	1.29	2.34	4.63	-	10.20 (3.40-13.10)	2.817 (0.640-3.880)	12.37	99
18+20+42+42	2.02	1.35	3.31	3.31	-	10.00 (3.40-13.10)	2.693 (0.640-3.900)	11.83	99
18+20+42+50	1.84	1.23	3.01	4.02	-	10.10 (3.40-13.10)	2.757 (0.640-3.900)	12.11	99
18+20+42+60	1.79	1.19	2.93	4.29	-	10.20 (3.40-13.10)	2.827 (0.640-3.890)	12.42	99
18+20+42+71	1.79	1.19	2.93	4.29	-	10.20 (3.40-13.10)	2.817 (0.640-3.880)	12.37	99
18+20+50+50	1.69	1.13	3.69	3.69	-	10.20 (3.40-13.10)	2.821 (0.640-3.900)	12.39	99
18+20+50+60	1.63	1.09	3.57	3.91	-	10.20 (3.40-13.10)	2.827 (0.640-3.890)	12.42	99
18+20+50+71	1.63	1.09	3.57	3.91	-	10.20 (3.40-13.10)	2.817 (0.640-3.880)	12.37	99
18+20+60+60	1.58	1.05	3.78	3.78	-	10.20 (3.40-13.10)	2.817 (0.640-3.880)	12.37	99
18+20+60+71	1.58	1.05	3.78	3.78	-	10.20 (3.40-13.10)	2.807 (0.640-3.870)	12.33	99
18+22+22+22	2.50	2.50	2.50	2.50	-	10.00 (3.40-13.30)	2.647 (0.590-4.010)	11.62	99
18+22+22+25	2.44	2.44	2.44	2.67	-	10.00 (3.40-13.30)	2.647 (0.590-3.945)	11.62	99
18+22+22+35	2.37	2.37	2.37	2.88	-	10.00 (3.40-13.30)	2.647 (0.590-3.905)	11.62	99
18+22+22+42	2.18	2.18	2.18	3.56	-	10.10 (3.40-13.30)	2.679 (0.590-3.900)	11.77	99
18+22+22+50	1.97	1.97	1.97	4.29	-	10.20 (3.40-13.30)	2.743 (0.590-3.900)	12.05	99
18+22+22+60	1.91	1.91	1.91	4.57	-	10.30 (3.40-13.30)	2.813 (0.590-3.890)	12.35	99
18+22+22+71	1.93	1.93	1.93	4.62	-	10.40 (3.40-13.30)	2.891 (0.590-3.880)	12.70	99
18+22+25+25	2.39	2.39	2.61	2.61	-	10.00 (3.40-13.30)	2.647 (0.590-3.915)	11.62	99
18+22+25+35	2.32	2.32	2.54	2.82	-	10.00 (3.40-13.30)	2.647 (0.590-3.900)	11.62	99
18+22+25+42	2.14	2.14	2.33	3.50	-	10.10 (3.40-13.30)	2.703 (0.590-3.900)	11.87	99
18+22+25+50	1.93	1.93	2.11	4.22	-	10.20 (3.40-13.30)	2.767 (0.590-3.900)	12.15	99
18+22+25+60	1.88	1.88	2.05	4.50	-	10.30 (3.40-13.30)	2.837 (0.590-3.890)	12.46	99
18+22+25+71	1.91	1.91	2.09	4.58	-	10.50 (3.40-13.30)	2.915 (0.590-3.880)	12.80	99
18+22+35+35	2.28	2.28	2.77	2.77	-	10.10 (3.40-13.30)	2.727 (0.590-3.900)	11.98	99
18+22+35+42	2.10	2.10	2.55	3.44	-	10.20 (3.40-13.30)	2.783 (0.590-3.900)	12.22	99
18+22+35+50	1.91	1.91	2.31	4.17	-	10.30 (3.40-13.30)	2.847 (0.590-3.900)	12.50	99
18+22+35+60	1.86	1.86	2.25	4.44	-	10.40 (3.40-13.30)	2.917 (0.590-3.890)	12.81	99
18+22+35+71	1.87	1.87	2.27	4.48	-	10.50 (3.40-13.30)	2.947 (0.590-3.880)	12.94	99
18+22+42+42	1.95	1.95	3.20	3.20	-	10.30 (3.40-13.30)	2.839 (0.590-3.900)	12.47	99
18+22+42+50	1.79	1.79	2.93	3.90	-	10.40 (3.40-13.30)	2.903 (0.590-3.900)	12.75	99
18+22+42+60	1.74	1.74	2.85	4.17	-	10.50 (3.40-13.30)	2.957 (0.590-3.890)	12.99	99
18+22+42+71	1.74	1.74	2.85	4.17	-	10.50 (3.40-13.30)	2.947 (0.590-3.880)	12.94	99
18+22+50+50	1.65	1.65	3.60	3.60	-	10.50 (3.40-13.30)	2.967 (0.590-3.900)	13.03	99
18+22+50+60	1.60	1.60	3.48	3.82	-	10.50 (3.40-13.30)	2.957 (0.590-3.890)	12.99	99
18+22+50+71	1.60	1.60	3.48	3.82	-	10.50 (3.40-13.30)	2.947 (0.590-3.880)	12.94	99

# MXZ-5D102VA HEATING

Indoor units combination	Heating capacity (kW)						Outdoor unit power consumption(kW)	Current (A)	Power factor(%)
	Unit A	Unit B	Unit C	Unit D	Unit E	Total			
18+22+60+60	1.55	1.55	3.70	3.70	-	10.50 (3.40-13.30)	2.947 (0.590-3.880)	12.94	99
18+22+60+71	1.55	1.55	3.70	3.70	-	10.50 (3.40-13.30)	2.937 (0.590-3.870)	12.90	99
18+25+25+25	2.34	2.55	2.55	2.55	-	10.00 (3.40-13.30)	2.647 (0.590-3.910)	11.62	99
18+25+25+35	2.28	2.48	2.48	2.76	-	10.00 (3.40-13.30)	2.671 (0.590-3.900)	11.73	99
18+25+25+42	2.10	2.29	2.29	3.43	-	10.10 (3.40-13.30)	2.727 (0.590-3.900)	11.98	99
18+25+25+50	1.90	2.07	2.07	4.15	-	10.20 (3.40-13.30)	2.791 (0.590-3.900)	12.26	99
18+25+25+60	1.87	2.03	2.03	4.47	-	10.40 (3.40-13.30)	2.861 (0.590-3.890)	12.56	99
18+25+25+71	1.88	2.05	2.05	4.51	-	10.50 (3.40-13.30)	2.939 (0.590-3.880)	12.91	99
18+25+35+35	2.26	2.46	2.74	2.74	-	10.20 (3.40-13.30)	2.751 (0.590-3.900)	12.08	99
18+25+35+42	2.09	2.27	2.53	3.41	-	10.30 (3.40-13.30)	2.807 (0.590-3.900)	12.33	99
18+25+35+50	1.90	2.07	2.30	4.14	-	10.40 (3.40-13.30)	2.871 (0.590-3.900)	12.61	99
18+25+35+60	1.84	2.01	2.23	4.41	-	10.50 (3.40-13.30)	2.941 (0.590-3.890)	12.92	99
18+25+35+71	1.84	2.01	2.23	4.41	-	10.50 (3.40-13.30)	2.947 (0.590-3.880)	12.94	99
18+25+42+42	1.92	2.09	3.14	3.14	-	10.30 (3.40-13.30)	2.863 (0.590-3.900)	12.57	99
18+25+42+50	1.76	1.92	2.88	3.84	-	10.40 (3.40-13.30)	2.927 (0.590-3.900)	12.85	99
18+25+42+60	1.72	1.87	2.81	4.11	-	10.50 (3.40-13.30)	2.957 (0.590-3.890)	12.99	99
18+25+42+71	1.72	1.87	2.81	4.11	-	10.50 (3.40-13.30)	2.947 (0.590-3.880)	12.94	99
18+25+50+50	1.63	1.77	3.55	3.55	-	10.50 (3.40-13.30)	2.967 (0.590-3.900)	13.03	99
18+25+50+60	1.58	1.72	3.44	3.77	-	10.50 (3.40-13.30)	2.957 (0.590-3.890)	12.99	99
18+25+50+71	1.58	1.72	3.44	3.77	-	10.50 (3.40-13.30)	2.947 (0.590-3.880)	12.94	99
18+25+60+60	1.53	1.67	3.65	3.65	-	10.50 (3.40-13.30)	2.947 (0.590-3.880)	12.94	99
18+35+35+35	2.22	2.69	2.69	2.69	-	10.30 (3.40-13.30)	2.831 (0.590-3.900)	12.43	99
18+35+35+42	2.06	2.49	2.49	3.36	-	10.40 (3.40-13.30)	2.887 (0.590-3.900)	12.68	99
18+35+35+50	1.87	2.27	2.27	4.09	-	10.50 (3.40-13.30)	2.951 (0.590-3.900)	12.96	99
18+35+35+60	1.80	2.19	2.19	4.32	-	10.50 (3.40-13.30)	2.957 (0.590-3.890)	12.99	99
18+35+35+71	1.80	2.19	2.19	4.32	-	10.50 (3.40-13.30)	2.947 (0.590-3.880)	12.94	99
18+35+42+42	1.91	2.32	3.13	3.13	-	10.50 (3.40-13.30)	2.943 (0.590-3.900)	12.92	99
18+35+42+50	1.74	2.11	2.85	3.80	-	10.50 (3.40-13.30)	2.967 (0.590-3.900)	13.03	99
18+35+42+60	1.68	2.04	2.75	4.03	-	10.50 (3.40-13.30)	2.957 (0.590-3.890)	12.99	99
18+35+42+71	1.68	2.04	2.75	4.03	-	10.50 (3.40-13.30)	2.947 (0.590-3.880)	12.94	99
18+35+50+50	1.60	1.94	3.48	3.48	-	10.50 (3.40-13.30)	2.967 (0.590-3.900)	13.03	99
18+35+50+60	1.55	1.88	3.38	3.70	-	10.50 (3.40-13.30)	2.957 (0.590-3.890)	12.99	99
18+42+42+42	1.78	2.91	2.91	2.91	-	10.50 (3.40-13.30)	2.967 (0.590-3.900)	13.03	99
18+42+42+50	1.63	2.66	2.66	3.55	-	10.50 (3.40-13.30)	2.967 (0.590-3.900)	13.03	99
18+42+42+60	1.58	2.58	2.58	3.77	-	10.50 (3.40-13.30)	2.957 (0.590-3.890)	12.99	99
18+42+50+50	1.50	2.45	3.27	3.27	-	10.50 (3.40-13.30)	2.967 (0.590-3.900)	13.03	99
18+42+50+60	1.46	2.38	3.18	3.49	-	10.50 (3.40-13.30)	2.957 (0.590-3.890)	12.99	99
18+50+50+50	1.39	3.04	3.04	3.04	-	10.50 (3.40-13.30)	2.967 (0.590-3.900)	13.03	99
20+20+20+20	2.20	2.20	2.20	2.20	-	8.80 (3.40-12.50)	2.127 (0.790-4.100)	9.34	99
20+20+20+22	2.02	2.02	2.02	3.03	-	9.10 (3.40-12.70)	2.257 (0.740-4.055)	9.91	99
20+20+20+25	1.96	1.96	1.96	3.21	-	9.10 (3.40-12.70)	2.257 (0.740-3.990)	9.91	99

# MXZ-5D102VA HEATING

Indoor units combination	Heating capacity (kW)						Outdoor unit power consumption(kW)	Current (A)	Power factor(%)
	Unit A	Unit B	Unit C	Unit D	Unit E	Total			
20+20+20+35	1.89	1.89	1.89	3.43	-	9.10 (3.40-12.70)	2.257 (0.740-3.910)	9.91	99
20+20+20+50	1.47	1.47	1.47	4.80	-	9.20 (3.40-12.70)	2.337 (0.740-3.900)	10.26	99
20+20+20+60	1.43	1.43	1.43	5.12	-	9.40 (3.40-12.70)	2.407 (0.740-3.890)	10.57	99
20+20+20+71	1.44	1.44	1.44	5.18	-	9.50 (3.40-12.70)	2.485 (0.740-3.880)	10.91	99
20+20+22+22	1.88	1.88	2.82	2.82	-	9.40 (3.40-12.90)	2.387 (0.690-4.010)	10.48	99
20+20+22+25	1.83	1.83	2.75	2.99	-	9.40 (3.40-12.90)	2.387 (0.690-3.945)	10.48	99
20+20+22+35	1.77	1.77	2.65	3.21	-	9.40 (3.40-12.90)	2.387 (0.690-3.905)	10.48	99
20+20+22+42	1.60	1.60	2.39	3.92	-	9.50 (3.40-12.90)	2.419 (0.690-3.900)	10.62	99
20+20+22+50	1.42	1.42	2.13	4.64	-	9.60 (3.40-12.90)	2.483 (0.690-3.900)	10.90	99
20+20+22+60	1.37	1.37	2.05	4.91	-	9.70 (3.40-12.90)	2.553 (0.690-3.890)	11.21	99
20+20+22+71	1.38	1.38	2.07	4.96	-	9.80 (3.40-12.90)	2.631 (0.690-3.880)	11.55	99
20+20+25+25	1.78	1.78	2.92	2.92	-	9.40 (3.40-12.90)	2.387 (0.690-3.915)	10.48	99
20+20+25+35	1.72	1.72	2.82	3.13	-	9.40 (3.40-12.90)	2.387 (0.690-3.900)	10.48	99
20+20+25+42	1.56	1.56	2.55	3.83	-	9.50 (3.40-12.90)	2.443 (0.690-3.900)	10.73	99
20+20+25+50	1.39	1.39	2.27	4.55	-	9.60 (3.40-12.90)	2.507 (0.690-3.900)	11.01	99
20+20+25+60	1.34	1.34	2.20	4.82	-	9.70 (3.40-12.90)	2.577 (0.690-3.890)	11.32	99
20+20+25+71	1.37	1.37	2.24	4.92	-	9.90 (3.40-12.90)	2.655 (0.690-3.880)	11.66	99
20+20+35+35	1.69	1.69	3.06	3.06	-	9.50 (3.40-12.90)	2.467 (0.690-3.900)	10.83	99
20+20+35+42	1.53	1.53	2.78	3.76	-	9.60 (3.40-12.90)	2.523 (0.690-3.900)	11.08	99
20+20+35+50	1.37	1.37	2.49	4.48	-	9.70 (3.40-12.90)	2.587 (0.690-3.900)	11.36	99
20+20+35+60	1.32	1.32	2.40	4.75	-	9.80 (3.40-12.90)	2.657 (0.690-3.890)	11.67	99
20+20+35+71	1.34	1.34	2.43	4.80	-	9.90 (3.40-12.90)	2.687 (0.690-3.880)	11.80	99
20+20+42+42	1.40	1.40	3.45	3.45	-	9.70 (3.40-12.90)	2.579 (0.690-3.900)	11.33	99
20+20+42+50	1.27	1.27	3.11	4.15	-	9.80 (3.40-12.90)	2.643 (0.690-3.900)	11.61	99
20+20+42+60	1.23	1.23	3.02	4.42	-	9.90 (3.40-12.90)	2.697 (0.690-3.890)	11.84	99
20+20+42+71	1.23	1.23	3.02	4.42	-	9.90 (3.40-12.90)	2.687 (0.690-3.880)	11.80	99
20+20+50+50	1.16	1.16	3.79	3.79	-	9.90 (3.40-12.90)	2.707 (0.690-3.900)	11.89	99
20+20+50+60	1.12	1.12	3.66	4.01	-	9.90 (3.40-12.90)	2.697 (0.690-3.890)	11.84	99
20+20+50+71	1.12	1.12	3.66	4.01	-	9.90 (3.40-12.90)	2.687 (0.690-3.880)	11.80	99
20+20+60+60	1.08	1.08	3.87	3.87	-	9.90 (3.40-12.90)	2.687 (0.690-3.880)	11.80	99
20+20+60+71	1.08	1.08	3.87	3.87	-	9.90 (3.40-12.90)	2.677 (0.690-3.870)	11.76	99
20+22+22+22	1.76	2.65	2.65	2.65	-	9.70 (3.40-13.10)	2.517 (0.640-3.965)	11.05	99
20+22+22+25	1.72	2.58	2.58	2.82	-	9.70 (3.40-13.10)	2.517 (0.640-3.920)	11.05	99
20+22+22+35	1.67	2.50	2.50	3.03	-	9.70 (3.40-13.10)	2.517 (0.640-3.900)	11.05	99
20+22+22+42	1.52	2.28	2.28	3.73	-	9.80 (3.40-13.10)	2.565 (0.640-3.900)	11.26	99
20+22+22+50	1.36	2.04	2.04	4.46	-	9.90 (3.40-13.10)	2.629 (0.640-3.900)	11.55	99
20+22+22+60	1.32	1.98	1.98	4.73	-	10.00 (3.40-13.10)	2.699 (0.640-3.890)	11.85	99
20+22+22+71	1.33	2.00	2.00	4.78	-	10.10 (3.40-13.10)	2.777 (0.640-3.880)	12.20	99
20+22+25+25	1.68	2.52	2.75	2.75	-	9.70 (3.40-13.10)	2.517 (0.640-3.915)	11.05	99
20+22+25+42	1.49	2.23	2.43	3.65	-	9.80 (3.40-13.10)	2.589 (0.640-3.900)	11.37	99
20+22+25+50	1.34	2.00	2.19	4.37	-	9.90 (3.40-13.10)	2.653 (0.640-3.900)	11.65	99

# MXZ-5D102VA HEATING

Indoor units combination	Heating capacity (kW)						Outdoor unit power consumption(kW)	Current (A)	Power factor(%)
	Unit A	Unit B	Unit C	Unit D	Unit E	Total			
20+22+25+60	1.29	1.94	2.12	4.65	-	10.00 (3.40-13.10)	2.723 (0.640-3.890)	11.96	99
20+22+25+71	1.32	1.98	2.16	4.74	-	10.20 (3.40-13.10)	2.801 (0.640-3.880)	12.30	99
20+22+35+35	1.61	2.42	2.93	2.93	-	9.90 (3.40-13.10)	2.613 (0.640-3.900)	11.48	99
20+22+35+42	1.46	2.19	2.66	3.59	-	9.90 (3.40-13.10)	2.669 (0.640-3.900)	11.72	99
20+22+35+50	1.32	1.98	2.40	4.31	-	10.00 (3.40-13.10)	2.733 (0.640-3.900)	12.00	99
20+22+35+60	1.29	1.93	2.34	4.63	-	10.20 (3.40-13.10)	2.803 (0.640-3.890)	12.31	99
20+22+35+71	1.29	1.93	2.34	4.63	-	10.20 (3.40-13.10)	2.817 (0.640-3.880)	12.37	99
20+22+42+42	1.35	2.02	3.31	3.31	-	10.00 (3.40-13.10)	2.725 (0.640-3.900)	11.97	99
20+22+42+50	1.23	1.84	3.01	4.02	-	10.10 (3.40-13.10)	2.789 (0.640-3.900)	12.25	99
20+22+42+60	1.19	1.79	2.93	4.29	-	10.20 (3.40-13.10)	2.827 (0.640-3.890)	12.42	99
20+22+42+71	1.19	1.79	2.93	4.29	-	10.20 (3.40-13.10)	2.817 (0.640-3.880)	12.37	99
20+22+50+50	1.13	1.69	3.69	3.69	-	10.20 (3.40-13.10)	2.837 (0.640-3.900)	12.46	99
20+22+50+60	1.09	1.63	3.57	3.91	-	10.20 (3.40-13.10)	2.827 (0.640-3.890)	12.42	99
20+22+50+71	1.09	1.63	3.57	3.91	-	10.20 (3.40-13.10)	2.817 (0.640-3.880)	12.37	99
20+22+60+60	1.05	1.58	3.78	3.78	-	10.20 (3.40-13.10)	2.817 (0.640-3.880)	12.37	99
20+25+25+25	1.64	2.69	2.69	2.69	-	9.70 (3.40-13.10)	2.517 (0.640-3.910)	11.05	99
20+25+25+35	1.61	2.63	2.63	2.93	-	9.80 (3.40-13.10)	2.557 (0.640-3.900)	11.23	99
20+25+25+42	1.47	2.41	2.41	3.61	-	9.90 (3.40-13.10)	2.613 (0.640-3.900)	11.48	99
20+25+25+50	1.33	2.17	2.17	4.34	-	10.00 (3.40-13.10)	2.677 (0.640-3.900)	11.76	99
20+25+25+60	1.28	2.10	2.10	4.61	-	10.10 (3.40-13.10)	2.747 (0.640-3.890)	12.06	99
20+25+25+71	1.30	2.12	2.12	4.66	-	10.20 (3.40-13.10)	2.817 (0.640-3.880)	12.37	99
20+25+35+35	1.58	2.58	2.87	2.87	-	9.90 (3.40-13.10)	2.637 (0.640-3.900)	11.58	99
20+25+35+42	1.45	2.37	2.63	3.55	-	10.00 (3.40-13.10)	2.693 (0.640-3.900)	11.83	99
20+25+35+50	1.31	2.14	2.38	4.28	-	10.10 (3.40-13.10)	2.757 (0.640-3.900)	12.11	99
20+25+35+60	1.27	2.07	2.31	4.55	-	10.20 (3.40-13.10)	2.827 (0.640-3.890)	12.42	99
20+25+35+71	1.27	2.07	2.31	4.55	-	10.20 (3.40-13.10)	2.817 (0.640-3.880)	12.37	99
20+25+42+42	1.34	2.19	3.29	3.29	-	10.10 (3.40-13.10)	2.749 (0.640-3.900)	12.07	99
20+25+42+50	1.22	2.00	2.99	3.99	-	10.20 (3.40-13.10)	2.813 (0.640-3.900)	12.35	99
20+25+42+60	1.17	1.92	2.88	4.22	-	10.20 (3.40-13.10)	2.827 (0.640-3.890)	12.42	99
20+25+42+71	1.17	1.92	2.88	4.22	-	10.20 (3.40-13.10)	2.817 (0.640-3.880)	12.37	99
20+25+50+50	1.11	1.82	3.64	3.64	-	10.20 (3.40-13.10)	2.837 (0.640-3.900)	12.46	99
20+25+50+60	1.07	1.76	3.51	3.86	-	10.20 (3.40-13.10)	2.827 (0.640-3.890)	12.42	99
20+25+50+71	1.07	1.76	3.51	3.86	-	10.20 (3.40-13.10)	2.817 (0.640-3.880)	12.37	99
20+25+60+60	1.04	1.70	3.73	3.73	-	10.20 (3.40-13.10)	2.817 (0.640-3.880)	12.37	99
20+35+35+35	1.55	2.82	2.82	2.82	-	10.00 (3.40-13.10)	2.717 (0.640-3.900)	11.93	99
20+35+35+42	1.42	2.59	2.59	3.50	-	10.10 (3.40-13.10)	2.773 (0.640-3.900)	12.18	99
20+35+35+50	1.29	2.34	2.34	4.22	-	10.20 (3.40-13.10)	2.837 (0.640-3.900)	12.46	99
20+35+35+60	1.24	2.25	2.25	4.45	-	10.20 (3.40-13.10)	2.827 (0.640-3.890)	12.42	99
20+35+35+71	1.24	2.25	2.25	4.45	-	10.20 (3.40-13.10)	2.817 (0.640-3.880)	12.37	99
20+35+42+42	1.32	2.40	3.24	3.24	-	10.20 (3.40-13.10)	2.829 (0.640-3.900)	12.42	99
20+35+42+50	1.19	2.17	2.93	3.91	-	10.20 (3.40-13.10)	2.837 (0.640-3.900)	12.46	99



# MXZ-5D102VA HEATING

Indoor units combination	Heating capacity (kW)						Outdoor unit power consumption(kW)	Current (A)	Power factor(%)
	Unit A	Unit B	Unit C	Unit D	Unit E	Total			
20+35+42+60	1.15	2.09	2.82	4.13	-	10.20 (3.40-13.10)	2.827 (0.640-3.890)	12.42	99
20+35+42+71	1.15	2.09	2.82	4.13	-	10.20 (3.40-13.10)	2.817 (0.640-3.880)	12.37	99
20+35+50+50	1.09	1.98	3.57	3.57	-	10.20 (3.40-13.10)	2.837 (0.640-3.900)	12.46	99
20+35+50+60	1.05	1.92	3.45	3.78	-	10.20 (3.40-13.10)	2.827 (0.640-3.890)	12.42	99
20+42+42+42	1.22	2.99	2.99	2.99	-	10.20 (3.40-13.10)	2.837 (0.640-3.900)	12.46	99
20+42+42+50	1.11	2.73	2.73	3.64	-	10.20 (3.40-13.10)	2.837 (0.640-3.900)	12.46	99
20+42+42+60	1.07	2.64	2.64	3.86	-	10.20 (3.40-13.10)	2.827 (0.640-3.890)	12.42	99
20+42+50+50	1.02	2.50	3.34	3.34	-	10.20 (3.40-13.10)	2.837 (0.640-3.900)	12.46	99
20+42+50+60	0.99	2.43	3.24	3.55	-	10.20 (3.40-13.10)	2.827 (0.640-3.890)	12.42	99
20+50+50+50	0.94	3.09	3.09	3.09	-	10.20 (3.40-13.10)	2.837 (0.640-3.900)	12.46	99
22+22+22+22	2.50	2.50	2.50	2.50	-	10.00 (3.40-13.30)	2.647 (0.590-3.920)	11.62	99
22+22+22+25	2.44	2.44	2.44	2.67	-	10.00 (3.40-13.30)	2.647 (0.590-3.915)	11.62	99
22+22+22+35	2.37	2.37	2.37	2.88	-	10.00 (3.40-13.30)	2.655 (0.590-3.900)	11.66	99
22+22+22+42	2.18	2.18	2.18	3.56	-	10.10 (3.40-13.30)	2.711 (0.590-3.900)	11.91	99
22+22+22+50	1.97	1.97	1.97	4.29	-	10.20 (3.40-13.30)	2.775 (0.590-3.900)	12.19	99
22+22+22+60	1.91	1.91	1.91	4.57	-	10.30 (3.40-13.30)	2.845 (0.590-3.890)	12.49	99
22+22+22+71	1.95	1.95	1.95	4.66	-	10.50 (3.40-13.30)	2.923 (0.590-3.880)	12.84	99
22+22+25+25	2.39	2.39	2.61	2.61	-	10.00 (3.40-13.30)	2.647 (0.590-3.910)	11.62	99
22+22+25+35	2.35	2.35	2.56	2.85	-	10.10 (3.40-13.30)	2.679 (0.590-3.900)	11.77	99
22+22+25+42	2.14	2.14	2.33	3.50	-	10.10 (3.40-13.30)	2.735 (0.590-3.900)	12.01	99
22+22+25+50	1.93	1.93	2.11	4.22	-	10.20 (3.40-13.30)	2.799 (0.590-3.900)	12.29	99
22+22+25+60	1.90	1.90	2.07	4.54	-	10.40 (3.40-13.30)	2.869 (0.590-3.890)	12.60	99
22+22+25+71	1.91	1.91	2.09	4.58	-	10.50 (3.40-13.30)	2.947 (0.590-3.880)	12.94	99
22+22+35+35	2.31	2.31	2.79	2.79	-	10.20 (3.40-13.30)	2.759 (0.590-3.900)	12.12	99
22+22+35+42	2.12	2.12	2.58	3.48	-	10.30 (3.40-13.30)	2.815 (0.590-3.900)	12.36	99
22+22+35+50	1.93	1.93	2.34	4.21	-	10.40 (3.40-13.30)	2.879 (0.590-3.900)	12.64	99
22+22+35+60	1.87	1.87	2.27	4.48	-	10.50 (3.40-13.30)	2.949 (0.590-3.890)	12.95	99
22+22+35+71	1.87	1.87	2.27	4.48	-	10.50 (3.40-13.30)	2.947 (0.590-3.880)	12.94	99
22+22+42+42	1.97	1.97	3.23	3.23	-	10.40 (3.40-13.30)	2.871 (0.590-3.900)	12.61	99
22+22+42+50	1.80	1.80	2.95	3.94	-	10.50 (3.40-13.30)	2.935 (0.590-3.900)	12.89	99
22+22+42+60	1.74	1.74	2.85	4.17	-	10.50 (3.40-13.30)	2.957 (0.590-3.890)	12.99	99
22+22+42+71	1.74	1.74	2.85	4.17	-	10.50 (3.40-13.30)	2.947 (0.590-3.880)	12.94	99
22+22+50+50	1.65	1.65	3.60	3.60	-	10.50 (3.40-13.30)	2.967 (0.590-3.900)	13.03	99
22+22+50+60	1.60	1.60	3.48	3.82	-	10.50 (3.40-13.30)	2.957 (0.590-3.890)	12.99	99
22+22+50+71	1.60	1.60	3.48	3.82	-	10.50 (3.40-13.30)	2.947 (0.590-3.880)	12.94	99
22+22+60+60	1.55	1.55	3.70	3.70	-	10.50 (3.40-13.30)	2.947 (0.590-3.880)	12.94	99
22+25+25+25	2.34	2.55	2.55	2.55	-	10.00 (3.40-13.30)	2.647 (0.590-3.905)	11.62	99
22+25+25+35	2.30	2.51	2.51	2.79	-	10.10 (3.40-13.30)	2.703 (0.590-3.900)	11.87	99
22+25+25+42	2.12	2.31	2.31	3.46	-	10.20 (3.40-13.30)	2.759 (0.590-3.900)	12.12	99
22+25+25+50	1.92	2.09	2.09	4.19	-	10.30 (3.40-13.30)	2.823 (0.590-3.900)	12.40	99
22+25+25+60	1.87	2.03	2.03	4.47	-	10.40 (3.40-13.30)	2.893 (0.590-3.890)	12.71	99

# MXZ-5D102VA HEATING

Indoor units combination	Heating capacity (kW)						Outdoor unit power consumption(kW)	Current (A)	Power factor(%)
	Unit A	Unit B	Unit C	Unit D	Unit E	Total			
22+25+25+71	1.88	2.05	2.05	4.51	-	10.50 (3.40-13.30)	2.947 (0.590-3.880)	12.94	99
22+25+35+35	2.26	2.46	2.74	2.74	-	10.20 (3.40-13.30)	2.783 (0.590-3.900)	12.22	99
22+25+35+42	2.09	2.27	2.53	3.41	-	10.30 (3.40-13.30)	2.839 (0.590-3.900)	12.47	99
22+25+35+50	1.90	2.07	2.30	4.14	-	10.40 (3.40-13.30)	2.903 (0.590-3.900)	12.75	99
22+25+35+60	1.84	2.01	2.23	4.41	-	10.50 (3.40-13.30)	2.957 (0.590-3.890)	12.99	99
22+25+35+71	1.84	2.01	2.23	4.41	-	10.50 (3.40-13.30)	2.947 (0.590-3.880)	12.94	99
22+25+42+42	1.94	2.12	3.17	3.17	-	10.40 (3.40-13.30)	2.895 (0.590-3.900)	12.71	99
22+25+42+50	1.78	1.94	2.91	3.88	-	10.50 (3.40-13.30)	2.959 (0.590-3.900)	13.00	99
22+25+42+60	1.72	1.87	2.81	4.11	-	10.50 (3.40-13.30)	2.957 (0.590-3.890)	12.99	99
22+25+42+71	1.72	1.87	2.81	4.11	-	10.50 (3.40-13.30)	2.947 (0.590-3.880)	12.94	99
22+25+50+50	1.63	1.77	3.55	3.55	-	10.50 (3.40-13.30)	2.967 (0.590-3.900)	13.03	99
22+25+50+60	1.58	1.72	3.44	3.77	-	10.50 (3.40-13.30)	2.957 (0.590-3.890)	12.99	99
22+25+50+71	1.58	1.72	3.44	3.77	-	10.50 (3.40-13.30)	2.947 (0.590-3.880)	12.94	99
22+25+60+60	1.53	1.67	3.65	3.65	-	10.50 (3.40-13.30)	2.947 (0.590-3.880)	12.94	99
22+35+35+35	2.22	2.69	2.69	2.69	-	10.30 (3.40-13.30)	2.863 (0.590-3.900)	12.57	99
22+35+35+42	2.06	2.49	2.49	3.36	-	10.40 (3.40-13.30)	2.919 (0.590-3.900)	12.82	99
22+35+35+50	1.87	2.27	2.27	4.09	-	10.50 (3.40-13.30)	2.967 (0.590-3.900)	13.03	99
22+35+35+60	1.80	2.19	2.19	4.32	-	10.50 (3.40-13.30)	2.957 (0.590-3.890)	12.99	99
22+35+35+71	1.80	2.19	2.19	4.32	-	10.50 (3.40-13.30)	2.947 (0.590-3.880)	12.94	99
22+35+42+42	1.91	2.32	3.13	3.13	-	10.50 (3.40-13.30)	2.967 (0.590-3.900)	13.03	99
22+35+42+50	1.74	2.11	2.85	3.80	-	10.50 (3.40-13.30)	2.967 (0.590-3.900)	13.03	99
22+35+42+60	1.68	2.04	2.75	4.03	-	10.50 (3.40-13.30)	2.957 (0.590-3.890)	12.99	99
22+35+42+71	1.68	2.04	2.75	4.03	-	10.50 (3.40-13.30)	2.947 (0.590-3.880)	12.94	99
22+35+50+50	1.60	1.94	3.48	3.48	-	10.50 (3.40-13.30)	2.967 (0.590-3.900)	13.03	99
22+35+50+60	1.55	1.88	3.38	3.70	-	10.50 (3.40-13.30)	2.957 (0.590-3.890)	12.99	99
22+42+42+42	1.78	2.91	2.91	2.91	-	10.50 (3.40-13.30)	2.967 (0.590-3.900)	13.03	99
22+42+42+50	1.63	2.66	2.66	3.55	-	10.50 (3.40-13.30)	2.967 (0.590-3.900)	13.03	99
22+42+42+60	1.58	2.58	2.58	3.77	-	10.50 (3.40-13.30)	2.957 (0.590-3.890)	12.99	99
22+42+50+50	1.50	2.45	3.27	3.27	-	10.50 (3.40-13.30)	2.967 (0.590-3.900)	13.03	99
22+50+50+50	1.39	3.04	3.04	3.04	-	10.50 (3.40-13.30)	2.967 (0.590-3.900)	13.03	99
25+25+25+25	2.50	2.50	2.50	2.50	-	10.00 (3.40-13.30)	2.647 (0.590-3.900)	11.62	99
25+25+25+35	2.46	2.46	2.46	2.73	-	10.10 (3.40-13.30)	2.727 (0.590-3.900)	11.98	99
25+25+25+42	2.27	2.27	2.27	3.40	-	10.20 (3.40-13.30)	2.783 (0.590-3.900)	12.22	99
25+25+25+50	2.06	2.06	2.06	4.12	-	10.30 (3.40-13.30)	2.847 (0.590-3.900)	12.50	99
25+25+25+60	2.00	2.00	2.00	4.39	-	10.40 (3.40-13.30)	2.917 (0.590-3.890)	12.81	99
25+25+25+71	2.02	2.02	2.02	4.44	-	10.50 (3.40-13.30)	2.947 (0.590-3.880)	12.94	99
25+25+35+35	2.44	2.44	2.71	2.71	-	10.30 (3.40-13.30)	2.807 (0.590-3.900)	12.33	99
25+25+35+42	2.23	2.23	2.48	3.35	-	10.30 (3.40-13.30)	2.863 (0.590-3.900)	12.57	99
25+25+35+50	2.03	2.03	2.26	4.07	-	10.40 (3.40-13.30)	2.927 (0.590-3.900)	12.85	99
25+25+35+60	1.98	1.98	2.20	4.34	-	10.50 (3.40-13.30)	2.957 (0.590-3.890)	12.99	99
25+25+35+71	1.98	1.98	2.20	4.34	-	10.50 (3.40-13.30)	2.947 (0.590-3.880)	12.94	99

# MXZ-5D102VA HEATING

Indoor units combination	Heating capacity (kW)						Outdoor unit power consumption(kW)	Current (A)	Power factor(%)
	Unit A	Unit B	Unit C	Unit D	Unit E	Total			
25+25+42+42	2.08	2.08	3.12	3.12	-	10.40 (3.40-13.30)	2.919 (0.590-3.900)	12.82	99
25+25+42+50	1.91	1.91	2.86	3.82	-	10.50 (3.40-13.30)	2.967 (0.590-3.900)	13.03	99
25+25+42+60	1.84	1.84	2.77	4.05	-	10.50 (3.40-13.30)	2.957 (0.590-3.890)	12.99	99
25+25+42+71	1.84	1.84	2.77	4.05	-	10.50 (3.40-13.30)	2.947 (0.590-3.880)	12.94	99
25+25+50+50	1.75	1.75	3.50	3.50	-	10.50 (3.40-13.30)	2.967 (0.590-3.900)	13.03	99
25+25+50+60	1.70	1.70	3.39	3.72	-	10.50 (3.40-13.30)	2.957 (0.590-3.890)	12.99	99
25+25+50+71	1.70	1.70	3.39	3.72	-	10.50 (3.40-13.30)	2.947 (0.590-3.880)	12.94	99
25+25+60+60	1.64	1.64	3.61	3.61	-	10.50 (3.40-13.30)	2.947 (0.590-3.880)	12.94	99
25+35+35+35	2.40	2.67	2.67	2.67	-	10.40 (3.40-13.30)	2.887 (0.590-3.900)	12.68	99
25+35+35+42	2.22	2.47	2.47	3.34	-	10.50 (3.40-13.30)	2.943 (0.590-3.900)	12.92	99
25+35+35+50	2.01	2.23	2.23	4.02	-	10.50 (3.40-13.30)	2.967 (0.590-3.900)	13.03	99
25+35+35+60	1.94	2.15	2.15	4.25	-	10.50 (3.40-13.30)	2.957 (0.590-3.890)	12.99	99
25+35+35+71	1.94	2.15	2.15	4.25	-	10.50 (3.40-13.30)	2.947 (0.590-3.880)	12.94	99
25+35+42+42	2.05	2.28	3.08	3.08	-	10.50 (3.40-13.30)	2.967 (0.590-3.900)	13.03	99
25+35+42+50	1.87	2.08	2.81	3.74	-	10.50 (3.40-13.30)	2.967 (0.590-3.900)	13.03	99
25+35+42+60	1.81	2.01	2.71	3.97	-	10.50 (3.40-13.30)	2.957 (0.590-3.890)	12.99	99
25+35+50+50	1.72	1.91	3.44	3.44	-	10.50 (3.40-13.30)	2.967 (0.590-3.900)	13.03	99
25+35+50+60	1.67	1.85	3.33	3.65	-	10.50 (3.40-13.30)	2.957 (0.590-3.890)	12.99	99
25+42+42+42	1.91	2.86	2.86	2.86	-	10.50 (3.40-13.30)	2.967 (0.590-3.900)	13.03	99
25+42+42+50	1.75	2.63	2.63	3.50	-	10.50 (3.40-13.30)	2.967 (0.590-3.900)	13.03	99
25+42+42+60	1.70	2.54	2.54	3.72	-	10.50 (3.40-13.30)	2.957 (0.590-3.890)	12.99	99
25+42+50+50	1.62	2.42	3.23	3.23	-	10.50 (3.40-13.30)	2.967 (0.590-3.900)	13.03	99
35+35+35+35	2.63	2.63	2.63	2.63	-	10.50 (3.40-13.30)	2.967 (0.590-3.900)	13.03	99
35+35+35+42	2.41	2.41	2.41	3.26	-	10.50 (3.40-13.30)	2.967 (0.590-3.900)	13.03	99
35+35+35+50	2.19	2.19	2.19	3.94	-	10.50 (3.40-13.30)	2.967 (0.590-3.900)	13.03	99
35+35+35+60	2.11	2.11	2.11	4.17	-	10.50 (3.40-13.30)	2.957 (0.590-3.890)	12.99	99
35+35+42+42	2.23	2.23	3.02	3.02	-	10.50 (3.40-13.30)	2.967 (0.590-3.900)	13.03	99
35+35+42+50	2.04	2.04	2.75	3.67	-	10.50 (3.40-13.30)	2.967 (0.590-3.900)	13.03	99
35+35+42+60	1.97	1.97	2.66	3.89	-	10.50 (3.40-13.30)	2.957 (0.590-3.890)	12.99	99
35+35+50+50	1.88	1.88	3.38	3.38	-	10.50 (3.40-13.30)	2.967 (0.590-3.900)	13.03	99
35+42+42+42	2.08	2.81	2.81	2.81	-	10.50 (3.40-13.30)	2.967 (0.590-3.900)	13.03	99
35+42+42+50	1.91	2.58	2.58	3.44	-	10.50 (3.40-13.30)	2.967 (0.590-3.900)	13.03	99
42+42+42+42	2.63	2.63	2.63	2.63	-	10.50 (3.40-13.30)	2.967 (0.590-3.900)	13.03	99
15+15+15+15+15	1.70	1.70	1.70	1.70	1.70	8.50 (4.10-10.50)	1.915 (0.880-4.100)	8.41	99
15+15+15+15+18	1.50	1.50	1.50	1.50	2.91	8.90 (4.10-11.20)	2.085 (0.860-4.100)	9.16	99
15+15+15+15+20	1.66	1.66	1.66	1.66	2.15	8.80 (4.10-11.10)	2.125 (0.880-4.100)	9.33	99
15+15+15+15+22	1.50	1.50	1.50	1.50	2.91	8.90 (4.10-11.50)	2.085 (0.860-4.100)	9.16	99
15+15+15+15+25	1.45	1.45	1.45	1.45	3.08	8.90 (4.10-11.70)	2.085 (0.860-4.100)	9.16	99
15+15+15+15+35	1.40	1.40	1.40	1.40	3.30	8.90 (4.10-12.00)	2.085 (0.860-4.100)	9.16	99
15+15+15+15+50	1.08	1.08	1.08	1.08	4.58	8.90 (4.10-12.00)	2.085 (0.860-4.100)	9.16	99
15+15+15+15+60	1.03	1.03	1.03	1.03	4.78	8.90 (4.10-12.00)	2.075 (0.860-4.090)	9.11	99

# MXZ-5D102VA HEATING

Indoor units combination	Heating capacity (kW)						Outdoor unit power consumption(kW)	Current (A)	Power factor(%)
	Unit A	Unit B	Unit C	Unit D	Unit E	Total			
15+15+15+15+71	1.03	1.03	1.03	1.03	4.78	8.90 (4.10-12.00)	2.065 (0.860-4.080)	9.07	99
15+15+15+18+18	1.35	1.35	1.35	2.62	2.62	9.30 (4.10-11.90)	2.255 (0.840-4.100)	9.90	99
15+15+15+18+20	1.48	1.48	1.48	2.86	1.91	9.20 (4.10-11.80)	2.295 (0.860-4.100)	10.08	99
15+15+15+18+22	1.35	1.35	1.35	2.62	2.62	9.30 (4.10-12.20)	2.255 (0.840-4.100)	9.90	99
15+15+15+18+25	1.32	1.32	1.32	2.56	2.79	9.30 (4.10-12.40)	2.255 (0.840-4.100)	9.90	99
15+15+15+18+35	1.28	1.28	1.28	2.48	3.00	9.30 (4.10-12.50)	2.255 (0.840-4.100)	9.90	99
15+15+15+18+42	1.15	1.15	1.15	2.22	3.64	9.30 (4.10-12.50)	2.255 (0.840-4.100)	9.90	99
15+15+15+18+50	1.01	1.01	1.01	1.97	4.29	9.30 (4.10-12.50)	2.255 (0.840-4.100)	9.90	99
15+15+15+18+60	0.97	0.97	0.97	1.88	4.51	9.30 (4.10-12.50)	2.245 (0.840-4.090)	9.86	99
15+15+15+18+71	0.97	0.97	0.97	1.88	4.51	9.30 (4.10-12.50)	2.235 (0.840-4.080)	9.82	99
15+15+15+20+20	1.63	1.63	1.63	2.11	2.11	9.10 (4.10-11.80)	2.335 (0.880-4.100)	10.25	99
15+15+15+20+22	1.48	1.48	1.48	1.91	2.86	9.20 (4.10-12.10)	2.295 (0.860-4.100)	10.08	99
15+15+15+20+25	1.43	1.43	1.43	1.86	3.04	9.20 (4.10-12.30)	2.295 (0.860-4.100)	10.08	99
15+15+15+20+35	1.38	1.38	1.38	1.79	3.26	9.20 (4.10-12.30)	2.295 (0.860-4.100)	10.08	99
15+15+15+20+42	1.23	1.23	1.23	1.59	3.91	9.20 (4.10-12.30)	2.295 (0.860-4.100)	10.08	99
15+15+15+20+50	1.08	1.08	1.08	1.40	4.57	9.20 (4.10-12.30)	2.295 (0.860-4.100)	10.08	99
15+15+15+20+60	1.03	1.03	1.03	1.33	4.78	9.20 (4.10-12.30)	2.285 (0.860-4.090)	10.04	99
15+15+15+20+71	1.03	1.03	1.03	1.33	4.78	9.20 (4.10-12.30)	2.275 (0.860-4.080)	9.99	99
15+15+15+22+22	1.35	1.35	1.35	2.62	2.62	9.30 (4.10-12.40)	2.255 (0.840-4.100)	9.90	99
15+15+15+22+25	1.32	1.32	1.32	2.56	2.79	9.30 (4.10-12.50)	2.255 (0.840-4.100)	9.90	99
15+15+15+22+42	1.15	1.15	1.15	2.22	3.64	9.30 (4.10-12.50)	2.255 (0.840-4.100)	9.90	99
15+15+15+22+50	1.01	1.01	1.01	1.97	4.29	9.30 (4.10-12.50)	2.255 (0.840-4.100)	9.90	99
15+15+15+22+60	0.97	0.97	0.97	1.88	4.51	9.30 (4.10-12.50)	2.245 (0.840-4.090)	9.86	99
15+15+15+22+71	0.97	0.97	0.97	1.88	4.51	9.30 (4.10-12.50)	2.235 (0.840-4.080)	9.82	99
15+15+15+25+25	1.29	1.29	1.29	2.72	2.72	9.30 (4.10-12.50)	2.255 (0.840-4.100)	9.90	99
15+15+15+25+35	1.24	1.24	1.24	2.64	2.93	9.30 (4.10-12.50)	2.255 (0.840-4.100)	9.90	99
15+15+15+25+42	1.12	1.12	1.12	2.37	3.56	9.30 (4.10-12.50)	2.255 (0.840-4.100)	9.90	99
15+15+15+25+50	0.99	0.99	0.99	2.11	4.21	9.30 (4.10-12.50)	2.255 (0.840-4.100)	9.90	99
15+15+15+25+60	0.95	0.95	0.95	2.02	4.43	9.30 (4.10-12.50)	2.245 (0.840-4.090)	9.86	99
15+15+15+25+71	0.95	0.95	0.95	2.02	4.43	9.30 (4.10-12.50)	2.235 (0.840-4.080)	9.82	99
15+15+15+35+35	1.21	1.21	1.21	2.84	2.84	9.30 (4.10-12.50)	2.255 (0.840-4.100)	9.90	99
15+15+15+35+42	1.09	1.09	1.09	2.57	3.46	9.30 (4.10-12.50)	2.255 (0.840-4.100)	9.90	99
15+15+15+35+50	0.97	0.97	0.97	2.28	4.11	9.30 (4.10-12.50)	2.255 (0.840-4.100)	9.90	99
15+15+15+35+60	0.93	0.93	0.93	2.19	4.32	9.30 (4.10-12.50)	2.245 (0.840-4.090)	9.86	99
15+15+15+35+71	0.93	0.93	0.93	2.19	4.32	9.30 (4.10-12.50)	2.235 (0.840-4.080)	9.82	99
15+15+15+42+42	0.99	0.99	0.99	3.16	3.16	9.30 (4.10-12.50)	2.255 (0.840-4.100)	9.90	99
15+15+15+42+50	0.89	0.89	0.89	2.84	3.78	9.30 (4.10-12.50)	2.255 (0.840-4.100)	9.90	99
15+15+15+42+60	0.86	0.86	0.86	2.73	3.99	9.30 (4.10-12.50)	2.245 (0.840-4.090)	9.86	99
15+15+15+42+71	0.86	0.86	0.86	2.73	3.99	9.30 (4.10-12.50)	2.235 (0.840-4.080)	9.82	99
15+15+15+50+50	0.81	0.81	0.81	3.43	3.43	9.30 (4.10-12.50)	2.255 (0.840-4.100)	9.90	99
15+15+15+50+60	0.78	0.78	0.78	3.31	3.64	9.30 (4.10-12.50)	2.245 (0.840-4.090)	9.86	99

# MXZ-5D102VA HEATING

Indoor units combination	Heating capacity (kW)						Outdoor unit power consumption(kW)	Current (A)	Power factor(%)
	Unit A	Unit B	Unit C	Unit D	Unit E	Total			
15+15+15+50+71	0.78	0.78	0.78	3.31	3.64	9.30 (4.10-12.50)	2.235 (0.840-4.080)	9.82	99
15+15+15+60+60	0.76	0.76	0.76	3.52	3.52	9.30 (4.10-12.50)	2.235 (0.840-4.080)	9.82	99
15+15+18+18+18	1.24	1.24	2.41	2.41	2.41	9.70 (4.10-12.60)	2.425 (0.820-4.100)	10.65	99
15+15+18+18+20	1.34	1.34	2.60	2.60	1.73	9.60 (4.10-12.50)	2.465 (0.840-4.100)	10.83	99
15+15+18+18+22	1.24	1.24	2.41	2.41	2.41	9.70 (4.10-12.90)	2.425 (0.820-4.100)	10.65	99
15+15+18+18+25	1.21	1.21	2.35	2.35	2.57	9.70 (4.10-13.00)	2.425 (0.820-4.100)	10.65	99
15+15+18+18+35	1.18	1.18	2.29	2.29	2.77	9.70 (4.10-13.00)	2.425 (0.820-4.100)	10.65	99
15+15+18+18+42	1.07	1.07	2.08	2.08	3.40	9.70 (4.10-13.00)	2.425 (0.820-4.100)	10.65	99
15+15+18+18+50	0.96	0.96	1.86	1.86	4.06	9.70 (4.10-13.00)	2.425 (0.820-4.100)	10.65	99
15+15+18+18+60	0.92	0.92	1.79	1.79	4.28	9.70 (4.10-13.00)	2.415 (0.820-4.090)	10.61	99
15+15+18+18+71	0.92	0.92	1.79	1.79	4.28	9.70 (4.10-13.00)	2.405 (0.820-4.080)	10.56	99
15+15+18+20+20	1.45	1.45	2.82	1.88	1.88	9.50 (4.10-12.50)	2.505 (0.860-4.100)	11.00	99
15+15+18+20+22	1.34	1.34	2.60	1.73	2.60	9.60 (4.10-12.80)	2.465 (0.840-4.100)	10.83	99
15+15+18+20+25	1.31	1.31	2.53	1.69	2.76	9.60 (4.10-12.80)	2.465 (0.840-4.100)	10.83	99
15+15+18+20+35	1.27	1.27	2.46	1.64	2.98	9.60 (4.10-12.80)	2.465 (0.840-4.100)	10.83	99
15+15+18+20+42	1.14	1.14	2.22	1.48	3.63	9.60 (4.10-12.80)	2.465 (0.840-4.100)	10.83	99
15+15+18+20+50	1.01	1.01	1.97	1.31	4.29	9.60 (4.10-12.80)	2.465 (0.840-4.100)	10.83	99
15+15+18+20+60	0.97	0.97	1.89	1.26	4.51	9.60 (4.10-12.80)	2.455 (0.840-4.090)	10.78	99
15+15+18+20+71	0.97	0.97	1.89	1.26	4.51	9.60 (4.10-12.80)	2.445 (0.840-4.080)	10.74	99
15+15+18+22+22	1.24	1.24	2.41	2.41	2.41	9.70 (4.10-13.00)	2.425 (0.820-4.100)	10.65	99
15+15+18+22+25	1.21	1.21	2.35	2.35	2.57	9.70 (4.10-13.00)	2.425 (0.820-4.100)	10.65	99
15+15+18+22+35	1.18	1.18	2.29	2.29	2.77	9.70 (4.10-13.00)	2.425 (0.820-4.100)	10.65	99
15+15+18+22+42	1.07	1.07	2.08	2.08	3.40	9.70 (4.10-13.00)	2.425 (0.820-4.100)	10.65	99
15+15+18+22+50	0.96	0.96	1.86	1.86	4.06	9.70 (4.10-13.00)	2.425 (0.820-4.100)	10.65	99
15+15+18+22+60	0.92	0.92	1.79	1.79	4.28	9.70 (4.10-13.00)	2.415 (0.820-4.090)	10.61	99
15+15+18+22+71	0.92	0.92	1.79	1.79	4.28	9.70 (4.10-13.00)	2.405 (0.820-4.080)	10.56	99
15+15+18+25+25	1.19	1.19	2.30	2.51	2.51	9.70 (4.10-13.00)	2.425 (0.820-4.100)	10.65	99
15+15+18+25+35	1.15	1.15	2.24	2.44	2.71	9.70 (4.10-13.00)	2.425 (0.820-4.100)	10.65	99
15+15+18+25+42	1.05	1.05	2.04	2.22	3.34	9.70 (4.10-13.00)	2.425 (0.820-4.100)	10.65	99
15+15+18+25+50	0.94	0.94	1.83	2.00	3.99	9.70 (4.10-13.00)	2.425 (0.820-4.100)	10.65	99
15+15+18+25+60	0.91	0.91	1.76	1.92	4.21	9.70 (4.10-13.00)	2.415 (0.820-4.090)	10.61	99
15+15+18+25+71	0.91	0.91	1.76	1.92	4.21	9.70 (4.10-13.00)	2.405 (0.820-4.080)	10.56	99
15+15+18+35+35	1.12	1.12	2.18	2.64	2.64	9.70 (4.10-13.00)	2.425 (0.820-4.100)	10.65	99
15+15+18+35+42	1.02	1.02	1.99	2.41	3.25	9.70 (4.10-13.00)	2.425 (0.820-4.100)	10.65	99
15+15+18+35+50	0.92	0.92	1.79	2.17	3.90	9.70 (4.10-13.00)	2.425 (0.820-4.100)	10.65	99
15+15+18+35+60	0.89	0.89	1.72	2.09	4.12	9.70 (4.10-13.00)	2.415 (0.820-4.090)	10.61	99
15+15+18+35+71	0.89	0.89	1.72	2.09	4.12	9.70 (4.10-13.00)	2.405 (0.820-4.080)	10.56	99
15+15+18+42+42	0.94	0.94	1.83	2.99	2.99	9.70 (4.10-13.00)	2.425 (0.820-4.100)	10.65	99
15+15+18+42+50	0.85	0.85	1.66	2.71	3.62	9.70 (4.10-13.00)	2.425 (0.820-4.100)	10.65	99
15+15+18+42+60	0.82	0.82	1.60	2.62	3.83	9.70 (4.10-13.00)	2.415 (0.820-4.090)	10.61	99
15+15+18+42+71	0.82	0.82	1.60	2.62	3.83	9.70 (4.10-13.00)	2.405 (0.820-4.080)	10.56	99

# MXZ-5D102VA HEATING

Indoor units combination	Heating capacity (kW)						Outdoor unit power consumption(kW)	Current (A)	Power factor(%)
	Unit A	Unit B	Unit C	Unit D	Unit E	Total			
15+15+18+50+50	0.78	0.78	1.52	3.31	3.31	9.70 (4.10-13.00)	2.425 (0.820-4.100)	10.65	99
15+15+18+50+60	0.76	0.76	1.47	3.20	3.52	9.70 (4.10-13.00)	2.415 (0.820-4.090)	10.61	99
15+15+18+50+71	0.76	0.76	1.47	3.20	3.52	9.70 (4.10-13.00)	2.405 (0.820-4.080)	10.56	99
15+15+18+60+60	0.73	0.73	1.42	3.41	3.41	9.70 (4.10-13.00)	2.405 (0.820-4.080)	10.56	99
15+15+20+20+20	1.60	1.60	2.07	2.07	2.07	9.40 (4.10-12.40)	2.545 (0.880-4.100)	11.18	99
15+15+20+20+22	1.45	1.45	1.88	1.88	2.82	9.50 (4.10-12.60)	2.505 (0.860-4.100)	11.00	99
15+15+20+20+25	1.42	1.42	1.83	1.83	3.00	9.50 (4.10-12.60)	2.505 (0.860-4.100)	11.00	99
15+15+20+20+35	1.37	1.37	1.77	1.77	3.22	9.50 (4.10-12.60)	2.505 (0.860-4.100)	11.00	99
15+15+20+20+42	1.22	1.22	1.58	1.58	3.89	9.50 (4.10-12.60)	2.505 (0.860-4.100)	11.00	99
15+15+20+20+50	1.08	1.08	1.39	1.39	4.56	9.50 (4.10-12.60)	2.505 (0.860-4.100)	11.00	99
15+15+20+20+60	1.03	1.03	1.33	1.33	4.78	9.50 (4.10-12.60)	2.495 (0.860-4.090)	10.96	99
15+15+20+20+71	1.03	1.03	1.33	1.33	4.78	9.50 (4.10-12.60)	2.485 (0.860-4.080)	10.91	99
15+15+20+22+22	1.34	1.34	1.73	2.60	2.60	9.60 (4.10-12.80)	2.465 (0.840-4.100)	10.83	99
15+15+20+22+25	1.31	1.31	1.69	2.53	2.76	9.60 (4.10-12.80)	2.465 (0.840-4.100)	10.83	99
15+15+20+22+35	1.27	1.27	1.64	2.46	2.98	9.60 (4.10-12.80)	2.465 (0.840-4.100)	10.83	99
15+15+20+22+42	1.14	1.14	1.48	2.22	3.63	9.60 (4.10-12.80)	2.465 (0.840-4.100)	10.83	99
15+15+20+22+50	1.01	1.01	1.31	1.97	4.29	9.60 (4.10-12.80)	2.465 (0.840-4.100)	10.83	99
15+15+20+22+60	0.97	0.97	1.26	1.89	4.51	9.60 (4.10-12.80)	2.455 (0.840-4.090)	10.78	99
15+15+20+22+71	0.97	0.97	1.26	1.89	4.51	9.60 (4.10-12.80)	2.445 (0.840-4.080)	10.74	99
15+15+20+25+25	1.28	1.28	1.65	2.70	2.70	9.60 (4.10-12.80)	2.465 (0.840-4.100)	10.83	99
15+15+20+25+35	1.24	1.24	1.60	2.62	2.91	9.60 (4.10-12.80)	2.465 (0.840-4.100)	10.83	99
15+15+20+25+42	1.12	1.12	1.45	2.37	3.55	9.60 (4.10-12.80)	2.465 (0.840-4.100)	10.83	99
15+15+20+25+50	1.00	1.00	1.29	2.11	4.21	9.60 (4.10-12.80)	2.465 (0.840-4.100)	10.83	99
15+15+20+25+60	0.95	0.95	1.24	2.02	4.44	9.60 (4.10-12.80)	2.455 (0.840-4.090)	10.78	99
15+15+20+25+71	0.95	0.95	1.24	2.02	4.44	9.60 (4.10-12.80)	2.445 (0.840-4.080)	10.74	99
15+15+20+35+35	1.20	1.20	1.55	2.82	2.82	9.60 (4.10-12.80)	2.465 (0.840-4.100)	10.83	99
15+15+20+35+42	1.09	1.09	1.41	2.56	3.46	9.60 (4.10-12.80)	2.465 (0.840-4.100)	10.83	99
15+15+20+35+50	0.97	0.97	1.26	2.29	4.11	9.60 (4.10-12.80)	2.465 (0.840-4.100)	10.83	99
15+15+20+35+60	0.93	0.93	1.21	2.19	4.33	9.60 (4.10-12.80)	2.455 (0.840-4.090)	10.78	99
15+15+20+35+71	0.93	0.93	1.21	2.19	4.33	9.60 (4.10-12.80)	2.445 (0.840-4.080)	10.74	99
15+15+20+42+42	1.00	1.00	1.29	3.16	3.16	9.60 (4.10-12.80)	2.465 (0.840-4.100)	10.83	99
15+15+20+42+50	0.90	0.90	1.16	2.85	3.80	9.60 (4.10-12.80)	2.465 (0.840-4.100)	10.83	99
15+15+20+42+60	0.86	0.86	1.12	2.74	4.01	9.60 (4.10-12.80)	2.455 (0.840-4.090)	10.78	99
15+15+20+42+71	0.86	0.86	1.12	2.74	4.01	9.60 (4.10-12.80)	2.445 (0.840-4.080)	10.74	99
15+15+20+50+50	0.82	0.82	1.06	3.46	3.46	9.60 (4.10-12.80)	2.465 (0.840-4.100)	10.83	99
15+15+20+50+60	0.79	0.79	1.02	3.34	3.66	9.60 (4.10-12.80)	2.455 (0.840-4.090)	10.78	99
15+15+20+50+71	0.79	0.79	1.02	3.34	3.66	9.60 (4.10-12.80)	2.445 (0.840-4.080)	10.74	99
15+15+20+60+60	0.76	0.76	0.99	3.54	3.54	9.60 (4.10-12.80)	2.445 (0.840-4.080)	10.74	99
15+15+22+22+22	1.24	1.24	2.41	2.41	2.41	9.70 (4.10-13.00)	2.425 (0.820-4.100)	10.65	99
15+15+22+22+25	1.21	1.21	2.35	2.35	2.57	9.70 (4.10-13.00)	2.425 (0.820-4.100)	10.65	99
15+15+22+22+35	1.18	1.18	2.29	2.29	2.77	9.70 (4.10-13.00)	2.425 (0.820-4.100)	10.65	99

# MXZ-5D102VA HEATING

Indoor units combination	Heating capacity (kW)						Outdoor unit power consumption(kW)	Current (A)	Power factor(%)
	Unit A	Unit B	Unit C	Unit D	Unit E	Total			
15+15+22+22+42	1.07	1.07	2.08	2.08	3.40	9.70 (4.10-13.00)	2.425 (0.820-4.100)	10.65	99
15+15+22+22+50	0.96	0.96	1.86	1.86	4.06	9.70 (4.10-13.00)	2.425 (0.820-4.100)	10.65	99
15+15+22+22+60	0.92	0.92	1.79	1.79	4.28	9.70 (4.10-13.00)	2.415 (0.820-4.090)	10.61	99
15+15+22+22+71	0.92	0.92	1.79	1.79	4.28	9.70 (4.10-13.00)	2.405 (0.820-4.080)	10.56	99
15+15+22+25+35	1.15	1.15	2.24	2.44	2.71	9.70 (4.10-13.00)	2.425 (0.820-4.100)	10.65	99
15+15+22+25+42	1.05	1.05	2.04	2.22	3.34	9.70 (4.10-13.00)	2.425 (0.820-4.100)	10.65	99
15+15+22+25+50	0.94	0.94	1.83	2.00	3.99	9.70 (4.10-13.00)	2.425 (0.820-4.100)	10.65	99
15+15+22+25+60	0.91	0.91	1.76	1.92	4.21	9.70 (4.10-13.00)	2.415 (0.820-4.090)	10.61	99
15+15+22+25+71	0.91	0.91	1.76	1.92	4.21	9.70 (4.10-13.00)	2.405 (0.820-4.080)	10.56	99
15+15+22+35+35	1.12	1.12	2.18	2.64	2.64	9.70 (4.10-13.00)	2.425 (0.820-4.100)	10.65	99
15+15+22+35+42	1.02	1.02	1.99	2.41	3.25	9.70 (4.10-13.00)	2.425 (0.820-4.100)	10.65	99
15+15+22+35+50	0.92	0.92	1.79	2.17	3.90	9.70 (4.10-13.00)	2.425 (0.820-4.100)	10.65	99
15+15+22+35+60	0.89	0.89	1.72	2.09	4.12	9.70 (4.10-13.00)	2.415 (0.820-4.090)	10.61	99
15+15+22+35+71	0.89	0.89	1.72	2.09	4.12	9.70 (4.10-13.00)	2.405 (0.820-4.080)	10.56	99
15+15+22+42+42	0.94	0.94	1.83	2.99	2.99	9.70 (4.10-13.00)	2.425 (0.820-4.100)	10.65	99
15+15+22+42+50	0.85	0.85	1.66	2.71	3.62	9.70 (4.10-13.00)	2.425 (0.820-4.100)	10.65	99
15+15+22+42+60	0.82	0.82	1.60	2.62	3.83	9.70 (4.10-13.00)	2.415 (0.820-4.090)	10.61	99
15+15+22+42+71	0.82	0.82	1.60	2.62	3.83	9.70 (4.10-13.00)	2.405 (0.820-4.080)	10.56	99
15+15+22+50+50	0.78	0.78	1.52	3.31	3.31	9.70 (4.10-13.00)	2.425 (0.820-4.100)	10.65	99
15+15+22+50+60	0.76	0.76	1.47	3.20	3.52	9.70 (4.10-13.00)	2.415 (0.820-4.090)	10.61	99
15+15+22+60+60	0.73	0.73	1.42	3.41	3.41	9.70 (4.10-13.00)	2.405 (0.820-4.080)	10.56	99
15+15+25+25+25	1.16	1.16	2.46	2.46	2.46	9.70 (4.10-13.00)	2.425 (0.820-4.100)	10.65	99
15+15+25+25+35	1.13	1.13	2.39	2.39	2.66	9.70 (4.10-13.00)	2.425 (0.820-4.100)	10.65	99
15+15+25+25+42	1.03	1.03	2.18	2.18	3.27	9.70 (4.10-13.00)	2.425 (0.820-4.100)	10.65	99
15+15+25+25+50	0.93	0.93	1.96	1.96	3.92	9.70 (4.10-13.00)	2.425 (0.820-4.100)	10.65	99
15+15+25+25+60	0.89	0.89	1.89	1.89	4.14	9.70 (4.10-13.00)	2.415 (0.820-4.090)	10.61	99
15+15+25+25+71	0.89	0.89	1.89	1.89	4.14	9.70 (4.10-13.00)	2.405 (0.820-4.080)	10.56	99
15+15+25+35+35	1.10	1.10	2.33	2.59	2.59	9.70 (4.10-13.00)	2.425 (0.820-4.100)	10.65	99
15+15+25+35+42	1.01	1.01	2.13	2.37	3.19	9.70 (4.10-13.00)	2.425 (0.820-4.100)	10.65	99
15+15+25+35+50	0.91	0.91	1.92	2.13	3.84	9.70 (4.10-13.00)	2.425 (0.820-4.100)	10.65	99
15+15+25+35+60	0.87	0.87	1.85	2.05	4.05	9.70 (4.10-13.00)	2.415 (0.820-4.090)	10.61	99
15+15+25+35+71	0.87	0.87	1.85	2.05	4.05	9.70 (4.10-13.00)	2.405 (0.820-4.080)	10.56	99
15+15+25+42+42	0.93	0.93	1.96	2.94	2.94	9.70 (4.10-13.00)	2.425 (0.820-4.100)	10.65	99
15+15+25+42+50	0.84	0.84	1.78	2.67	3.56	9.70 (4.10-13.00)	2.425 (0.820-4.100)	10.65	99
15+15+25+42+60	0.81	0.81	1.72	2.58	3.77	9.70 (4.10-13.00)	2.415 (0.820-4.090)	10.61	99
15+15+25+42+71	0.81	0.81	1.72	2.58	3.77	9.70 (4.10-13.00)	2.405 (0.820-4.080)	10.56	99
15+15+25+50+50	0.77	0.77	1.63	3.26	3.26	9.70 (4.10-13.00)	2.425 (0.820-4.100)	10.65	99
15+15+25+50+60	0.75	0.75	1.58	3.16	3.47	9.70 (4.10-13.00)	2.415 (0.820-4.090)	10.61	99
15+15+35+35+35	1.07	1.07	2.52	2.52	2.52	9.70 (4.10-13.00)	2.425 (0.820-4.100)	10.65	99
15+15+35+35+42	0.98	0.98	2.31	2.31	3.12	9.70 (4.10-13.00)	2.425 (0.820-4.100)	10.65	99
15+15+35+35+50	0.89	0.89	2.09	2.09	3.75	9.70 (4.10-13.00)	2.425 (0.820-4.100)	10.65	99

# MXZ-5D102VA HEATING

Indoor units combination	Heating capacity (kW)					Total	Outdoor unit power consumption(kW)	Current (A)	Power factor(%)
	Unit A	Unit B	Unit C	Unit D	Unit E				
15+15+35+35+60	0.85	0.85	2.01	2.01	3.97	9.70 (4.10-13.00)	2.415 (0.820-4.090)	10.61	99
15+15+35+35+71	0.85	0.85	2.01	2.01	3.97	9.70 (4.10-13.00)	2.405 (0.820-4.080)	10.56	99
15+15+35+42+42	0.91	0.91	2.13	2.88	2.88	9.70 (4.10-13.00)	2.425 (0.820-4.100)	10.65	99
15+15+35+42+50	0.82	0.82	1.94	2.62	3.49	9.70 (4.10-13.00)	2.425 (0.820-4.100)	10.65	99
15+15+35+42+60	0.80	0.80	1.87	2.53	3.70	9.70 (4.10-13.00)	2.415 (0.820-4.090)	10.61	99
15+15+35+50+50	0.76	0.76	1.78	3.20	3.20	9.70 (4.10-13.00)	2.425 (0.820-4.100)	10.65	99
15+15+42+42+42	0.84	0.84	2.67	2.67	2.67	9.70 (4.10-13.00)	2.425 (0.820-4.100)	10.65	99
15+15+42+42+50	0.77	0.77	2.45	2.45	3.26	9.70 (4.10-13.00)	2.425 (0.820-4.100)	10.65	99
15+15+42+50+50	0.71	0.71	2.26	3.01	3.01	9.70 (4.10-13.00)	2.425 (0.820-4.100)	10.65	99
15+18+18+18+18	1.15	2.24	2.24	2.24	2.24	10.10 (4.10-13.30)	2.595 (0.800-4.100)	11.40	99
15+18+18+18+20	1.23	2.39	2.39	2.39	1.59	10.00 (4.10-13.20)	2.635 (0.820-4.100)	11.57	99
15+18+18+18+22	1.15	2.24	2.24	2.24	2.24	10.10 (4.10-13.50)	2.595 (0.800-4.100)	11.40	99
15+18+18+18+25	1.13	2.19	2.19	2.19	2.39	10.10 (4.10-13.50)	2.595 (0.800-4.100)	11.40	99
15+18+18+18+35	1.10	2.14	2.14	2.14	2.59	10.10 (4.10-13.50)	2.595 (0.800-4.100)	11.40	99
15+18+18+18+42	1.01	1.96	1.96	1.96	3.21	10.10 (4.10-13.50)	2.595 (0.800-4.100)	11.40	99
15+18+18+18+50	0.91	1.77	1.77	1.77	3.87	10.10 (4.10-13.50)	2.595 (0.800-4.100)	11.40	99
15+18+18+18+60	0.88	1.71	1.71	1.71	4.09	10.10 (4.10-13.50)	2.585 (0.800-4.090)	11.35	99
15+18+18+18+71	0.88	1.71	1.71	1.71	4.09	10.10 (4.10-13.50)	2.575 (0.800-4.080)	11.31	99
15+18+18+20+20	1.33	2.57	2.57	1.71	1.71	9.90 (4.10-13.10)	2.675 (0.840-4.100)	11.75	99
15+18+18+20+22	1.23	2.39	2.39	1.59	2.39	10.00 (4.10-13.30)	2.635 (0.820-4.100)	11.57	99
15+18+18+20+25	1.21	2.34	2.34	1.56	2.55	10.00 (4.10-13.30)	2.635 (0.820-4.100)	11.57	99
15+18+18+20+35	1.17	2.28	2.28	1.52	2.76	10.00 (4.10-13.30)	2.635 (0.820-4.100)	11.57	99
15+18+18+20+42	1.07	2.08	2.08	1.38	3.40	10.00 (4.10-13.30)	2.635 (0.820-4.100)	11.57	99
15+18+18+20+50	0.96	1.86	1.86	1.24	4.07	10.00 (4.10-13.30)	2.635 (0.820-4.100)	11.57	99
15+18+18+20+60	0.92	1.79	1.79	1.20	4.29	10.00 (4.10-13.30)	2.625 (0.820-4.090)	11.53	99
15+18+18+20+71	0.92	1.79	1.79	1.20	4.29	10.00 (4.10-13.30)	2.615 (0.820-4.080)	11.48	99
15+18+18+22+22	1.15	2.24	2.24	2.24	2.24	10.10 (4.10-13.50)	2.595 (0.800-4.100)	11.40	99
15+18+18+22+25	1.13	2.19	2.19	2.19	2.39	10.10 (4.10-13.50)	2.595 (0.800-4.100)	11.40	99
15+18+18+22+35	1.10	2.14	2.14	2.14	2.59	10.10 (4.10-13.50)	2.595 (0.800-4.100)	11.40	99
15+18+18+22+42	1.01	1.96	1.96	1.96	3.21	10.10 (4.10-13.50)	2.595 (0.800-4.100)	11.40	99
15+18+18+22+50	0.91	1.77	1.77	1.77	3.87	10.10 (4.10-13.50)	2.595 (0.800-4.100)	11.40	99
15+18+18+22+60	0.88	1.71	1.71	1.71	4.09	10.10 (4.10-13.50)	2.585 (0.800-4.090)	11.35	99
15+18+18+22+71	0.88	1.71	1.71	1.71	4.09	10.10 (4.10-13.50)	2.575 (0.800-4.080)	11.31	99
15+18+18+25+25	1.11	2.15	2.15	2.35	2.35	10.10 (4.10-13.50)	2.595 (0.800-4.100)	11.40	99
15+18+18+25+35	1.08	2.10	2.10	2.29	2.54	10.10 (4.10-13.50)	2.595 (0.800-4.100)	11.40	99
15+18+18+25+42	0.99	1.93	1.93	2.10	3.15	10.10 (4.10-13.50)	2.595 (0.800-4.100)	11.40	99
15+18+18+25+50	0.90	1.75	1.75	1.90	3.81	10.10 (4.10-13.50)	2.595 (0.800-4.100)	11.40	99
15+18+18+25+60	0.87	1.68	1.68	1.84	4.03	10.10 (4.10-13.50)	2.585 (0.800-4.090)	11.35	99
15+18+18+25+71	0.87	1.68	1.68	1.84	4.03	10.10 (4.10-13.50)	2.575 (0.800-4.080)	11.31	99
15+18+18+35+35	1.05	2.04	2.04	2.48	2.48	10.10 (4.10-13.50)	2.595 (0.800-4.100)	11.40	99
15+18+18+35+42	0.97	1.88	1.88	2.28	3.08	10.10 (4.10-13.50)	2.595 (0.800-4.100)	11.40	99



# MXZ-5D102VA HEATING

Indoor units combination	Heating capacity (kW)						Outdoor unit power consumption(kW)	Current (A)	Power factor(%)
	Unit A	Unit B	Unit C	Unit D	Unit E	Total			
15+18+18+35+50	0.88	1.71	1.71	2.07	3.73	10.10 (4.10-13.50)	2.595 (0.800-4.100)	11.40	99
15+18+18+35+60	0.85	1.65	1.65	2.00	3.95	10.10 (4.10-13.50)	2.585 (0.800-4.090)	11.35	99
15+18+18+35+71	0.85	1.65	1.65	2.00	3.95	10.10 (4.10-13.50)	2.575 (0.800-4.080)	11.31	99
15+18+18+42+42	0.90	1.75	1.75	2.86	2.86	10.10 (4.10-13.50)	2.595 (0.800-4.100)	11.40	99
15+18+18+42+50	0.82	1.59	1.59	2.61	3.48	10.10 (4.10-13.50)	2.595 (0.800-4.100)	11.40	99
15+18+18+42+60	0.79	1.54	1.54	2.53	3.69	10.10 (4.10-13.50)	2.585 (0.800-4.090)	11.35	99
15+18+18+42+71	0.79	1.54	1.54	2.53	3.69	10.10 (4.10-13.50)	2.575 (0.800-4.080)	11.31	99
15+18+18+50+50	0.76	1.47	1.47	3.20	3.20	10.10 (4.10-13.50)	2.595 (0.800-4.100)	11.40	99
15+18+18+50+60	0.73	1.42	1.42	3.11	3.41	10.10 (4.10-13.50)	2.585 (0.800-4.090)	11.35	99
15+18+18+50+71	0.73	1.42	1.42	3.11	3.41	10.10 (4.10-13.50)	2.575 (0.800-4.080)	11.31	99
15+18+18+60+60	0.71	1.38	1.38	3.31	3.31	10.10 (4.10-13.50)	2.575 (0.800-4.080)	11.31	99
15+18+20+20+20	1.44	2.79	1.86	1.86	1.86	9.80 (4.10-12.90)	2.715 (0.860-4.100)	11.92	99
15+18+20+20+22	1.33	2.57	1.71	1.71	2.57	9.90 (4.10-13.10)	2.675 (0.840-4.100)	11.75	99
15+18+20+20+25	1.29	2.51	1.68	1.68	2.74	9.90 (4.10-13.10)	2.675 (0.840-4.100)	11.75	99
15+18+20+20+35	1.26	2.44	1.63	1.63	2.96	9.90 (4.10-13.10)	2.675 (0.840-4.100)	11.75	99
15+18+20+20+42	1.14	2.21	1.47	1.47	3.61	9.90 (4.10-13.10)	2.675 (0.840-4.100)	11.75	99
15+18+20+20+50	1.01	1.97	1.31	1.31	4.29	9.90 (4.10-13.10)	2.675 (0.840-4.100)	11.75	99
15+18+20+20+60	0.97	1.89	1.26	1.26	4.52	9.90 (4.10-13.10)	2.665 (0.840-4.090)	11.70	99
15+18+20+20+71	0.97	1.89	1.26	1.26	4.52	9.90 (4.10-13.10)	2.655 (0.840-4.080)	11.66	99
15+18+20+22+22	1.23	2.39	1.59	2.39	2.39	10.00 (4.10-13.30)	2.635 (0.820-4.100)	11.57	99
15+18+20+22+25	1.21	2.34	1.56	2.34	2.55	10.00 (4.10-13.30)	2.635 (0.820-4.100)	11.57	99
15+18+20+22+35	1.17	2.28	1.52	2.28	2.76	10.00 (4.10-13.30)	2.635 (0.820-4.100)	11.57	99
15+18+20+22+42	1.07	2.08	1.38	2.08	3.40	10.00 (4.10-13.30)	2.635 (0.820-4.100)	11.57	99
15+18+20+22+50	0.96	1.86	1.24	1.86	4.07	10.00 (4.10-13.30)	2.635 (0.820-4.100)	11.57	99
15+18+20+22+60	0.92	1.79	1.20	1.79	4.29	10.00 (4.10-13.30)	2.625 (0.820-4.090)	11.53	99
15+18+20+22+71	0.92	1.79	1.20	1.79	4.29	10.00 (4.10-13.30)	2.615 (0.820-4.080)	11.48	99
15+18+20+25+25	1.18	2.29	1.53	2.50	2.50	10.00 (4.10-13.30)	2.635 (0.820-4.100)	11.57	99
15+18+20+25+35	1.15	2.23	1.49	2.43	2.70	10.00 (4.10-13.30)	2.635 (0.820-4.100)	11.57	99
15+18+20+25+42	1.05	2.04	1.36	2.22	3.33	10.00 (4.10-13.30)	2.635 (0.820-4.100)	11.57	99
15+18+20+25+50	0.94	1.83	1.22	2.00	4.00	10.00 (4.10-13.30)	2.635 (0.820-4.100)	11.57	99
15+18+20+25+60	0.91	1.76	1.18	1.93	4.22	10.00 (4.10-13.30)	2.625 (0.820-4.090)	11.53	99
15+18+20+25+71	0.91	1.76	1.18	1.93	4.22	10.00 (4.10-13.30)	2.615 (0.820-4.080)	11.48	99
15+18+20+35+35	1.12	2.17	1.45	2.63	2.63	10.00 (4.10-13.30)	2.635 (0.820-4.100)	11.57	99
15+18+20+35+42	1.02	1.99	1.33	2.41	3.25	10.00 (4.10-13.30)	2.635 (0.820-4.100)	11.57	99
15+18+20+35+50	0.92	1.79	1.20	2.17	3.91	10.00 (4.10-13.30)	2.635 (0.820-4.100)	11.57	99
15+18+20+35+60	0.89	1.73	1.15	2.09	4.14	10.00 (4.10-13.30)	2.625 (0.820-4.090)	11.53	99
15+18+20+35+71	0.89	1.73	1.15	2.09	4.14	10.00 (4.10-13.30)	2.615 (0.820-4.080)	11.48	99
15+18+20+42+42	0.94	1.83	1.22	3.00	3.00	10.00 (4.10-13.30)	2.635 (0.820-4.100)	11.57	99
15+18+20+42+50	0.86	1.67	1.11	2.73	3.64	10.00 (4.10-13.30)	2.635 (0.820-4.100)	11.57	99
15+18+20+42+60	0.83	1.61	1.07	2.63	3.85	10.00 (4.10-13.30)	2.625 (0.820-4.090)	11.53	99
15+18+20+42+71	0.83	1.61	1.07	2.63	3.85	10.00 (4.10-13.30)	2.615 (0.820-4.080)	11.48	99

# MXZ-5D102VA HEATING

Indoor units combination	Heating capacity (kW)						Outdoor unit power consumption(kW)	Current (A)	Power factor(%)
	Unit A	Unit B	Unit C	Unit D	Unit E	Total			
15+18+20+50+50	0.79	1.53	1.02	3.33	3.33	10.00 (4.10-13.30)	2.635 (0.820-4.100)	11.57	99
15+18+20+50+60	0.76	1.48	0.99	3.23	3.54	10.00 (4.10-13.30)	2.625 (0.820-4.090)	11.53	99
15+18+22+22+22	1.15	2.24	2.24	2.24	2.24	10.10 (4.10-13.50)	2.595 (0.800-4.100)	11.40	99
15+18+22+22+35	1.10	2.14	2.14	2.14	2.59	10.10 (4.10-13.50)	2.595 (0.800-4.100)	11.40	99
15+18+22+22+42	1.01	1.96	1.96	1.96	3.21	10.10 (4.10-13.50)	2.595 (0.800-4.100)	11.40	99
15+18+22+22+50	0.91	1.77	1.77	1.77	3.87	10.10 (4.10-13.50)	2.595 (0.800-4.100)	11.40	99
15+18+22+22+60	0.88	1.71	1.71	1.71	4.09	10.10 (4.10-13.50)	2.585 (0.800-4.090)	11.35	99
15+18+22+22+71	0.88	1.71	1.71	1.71	4.09	10.10 (4.10-13.50)	2.575 (0.800-4.080)	11.31	99
15+18+22+25+25	1.11	2.15	2.15	2.35	2.35	10.10 (4.10-13.50)	2.595 (0.800-4.100)	11.40	99
15+18+22+25+35	1.08	2.10	2.10	2.29	2.54	10.10 (4.10-13.50)	2.595 (0.800-4.100)	11.40	99
15+18+22+25+42	0.99	1.93	1.93	2.10	3.15	10.10 (4.10-13.50)	2.595 (0.800-4.100)	11.40	99
15+18+22+25+50	0.90	1.75	1.75	1.90	3.81	10.10 (4.10-13.50)	2.595 (0.800-4.100)	11.40	99
15+18+22+25+60	0.87	1.68	1.68	1.84	4.03	10.10 (4.10-13.50)	2.585 (0.800-4.090)	11.35	99
15+18+22+25+71	0.87	1.68	1.68	1.84	4.03	10.10 (4.10-13.50)	2.575 (0.800-4.080)	11.31	99
15+18+22+35+35	1.05	2.04	2.04	2.48	2.48	10.10 (4.10-13.50)	2.595 (0.800-4.100)	11.40	99
15+18+22+35+42	0.97	1.88	1.88	2.28	3.08	10.10 (4.10-13.50)	2.595 (0.800-4.100)	11.40	99
15+18+22+35+50	0.88	1.71	1.71	2.07	3.73	10.10 (4.10-13.50)	2.595 (0.800-4.100)	11.40	99
15+18+22+35+60	0.85	1.65	1.65	2.00	3.95	10.10 (4.10-13.50)	2.585 (0.800-4.090)	11.35	99
15+18+22+35+71	0.85	1.65	1.65	2.00	3.95	10.10 (4.10-13.50)	2.575 (0.800-4.080)	11.31	99
15+18+22+42+42	0.90	1.75	1.75	2.86	2.86	10.10 (4.10-13.50)	2.595 (0.800-4.100)	11.40	99
15+18+22+42+50	0.82	1.59	1.59	2.61	3.48	10.10 (4.10-13.50)	2.595 (0.800-4.100)	11.40	99
15+18+22+42+60	0.79	1.54	1.54	2.53	3.69	10.10 (4.10-13.50)	2.585 (0.800-4.090)	11.35	99
15+18+22+42+71	0.79	1.54	1.54	2.53	3.69	10.10 (4.10-13.50)	2.575 (0.800-4.080)	11.31	99
15+18+22+50+50	0.76	1.47	1.47	3.20	3.20	10.10 (4.10-13.50)	2.595 (0.800-4.100)	11.40	99
15+18+22+50+60	0.73	1.42	1.42	3.11	3.41	10.10 (4.10-13.50)	2.585 (0.800-4.090)	11.35	99
15+18+25+25+25	1.09	2.11	2.30	2.30	2.30	10.10 (4.10-13.50)	2.595 (0.800-4.100)	11.40	99
15+18+25+25+35	1.06	2.06	2.24	2.24	2.49	10.10 (4.10-13.50)	2.595 (0.800-4.100)	11.40	99
15+18+25+25+42	0.98	1.89	2.07	2.07	3.10	10.10 (4.10-13.50)	2.595 (0.800-4.100)	11.40	99
15+18+25+25+50	0.89	1.72	1.87	1.87	3.75	10.10 (4.10-13.50)	2.595 (0.800-4.100)	11.40	99
15+18+25+25+60	0.85	1.66	1.81	1.81	3.97	10.10 (4.10-13.50)	2.585 (0.800-4.090)	11.35	99
15+18+25+25+71	0.85	1.66	1.81	1.81	3.97	10.10 (4.10-13.50)	2.575 (0.800-4.080)	11.31	99
15+18+25+35+35	1.03	2.01	2.19	2.43	2.43	10.10 (4.10-13.50)	2.595 (0.800-4.100)	11.40	99
15+18+25+35+42	0.95	1.85	2.02	2.24	3.03	10.10 (4.10-13.50)	2.595 (0.800-4.100)	11.40	99
15+18+25+35+50	0.87	1.68	1.84	2.04	3.67	10.10 (4.10-13.50)	2.595 (0.800-4.100)	11.40	99
15+18+25+35+60	0.84	1.63	1.77	1.97	3.89	10.10 (4.10-13.50)	2.585 (0.800-4.090)	11.35	99
15+18+25+35+71	0.84	1.63	1.77	1.97	3.89	10.10 (4.10-13.50)	2.575 (0.800-4.080)	11.31	99
15+18+25+42+42	0.89	1.72	1.87	2.81	2.81	10.10 (4.10-13.50)	2.595 (0.800-4.100)	11.40	99
15+18+25+42+50	0.81	1.57	1.72	2.57	3.43	10.10 (4.10-13.50)	2.595 (0.800-4.100)	11.40	99
15+18+25+42+60	0.78	1.52	1.66	2.49	3.64	10.10 (4.10-13.50)	2.585 (0.800-4.090)	11.35	99
15+18+25+42+71	0.78	1.52	1.66	2.49	3.64	10.10 (4.10-13.50)	2.575 (0.800-4.080)	11.31	99
15+18+25+50+50	0.75	1.45	1.58	3.16	3.16	10.10 (4.10-13.50)	2.595 (0.800-4.100)	11.40	99

# MXZ-5D102VA HEATING

Indoor units combination	Heating capacity (kW)						Outdoor unit power consumption(kW)	Current (A)	Power factor(%)
	Unit A	Unit B	Unit C	Unit D	Unit E	Total			
15+18+25+50+60	0.72	1.41	1.53	3.07	3.37	10.10 (4.10-13.50)	2.585 (0.800-4.090)	11.35	99
15+18+35+35+35	1.01	1.96	2.38	2.38	2.38	10.10 (4.10-13.50)	2.595 (0.800-4.100)	11.40	99
15+18+35+35+42	0.93	1.81	2.20	2.20	2.96	10.10 (4.10-13.50)	2.595 (0.800-4.100)	11.40	99
15+18+35+35+50	0.85	1.65	2.00	2.00	3.60	10.10 (4.10-13.50)	2.595 (0.800-4.100)	11.40	99
15+18+35+35+60	0.82	1.59	1.93	1.93	3.82	10.10 (4.10-13.50)	2.585 (0.800-4.090)	11.35	99
15+18+35+42+42	0.87	1.68	2.04	2.75	2.75	10.10 (4.10-13.50)	2.595 (0.800-4.100)	11.40	99
15+18+35+42+50	0.79	1.54	1.87	2.53	3.37	10.10 (4.10-13.50)	2.595 (0.800-4.100)	11.40	99
15+18+35+42+60	0.77	1.49	1.81	2.45	3.58	10.10 (4.10-13.50)	2.585 (0.800-4.090)	11.35	99
15+18+35+50+50	0.73	1.42	1.73	3.11	3.11	10.10 (4.10-13.50)	2.595 (0.800-4.100)	11.40	99
15+18+42+42+42	0.81	1.57	2.57	2.57	2.57	10.10 (4.10-13.50)	2.595 (0.800-4.100)	11.40	99
15+18+42+42+50	0.75	1.45	2.37	2.37	3.16	10.10 (4.10-13.50)	2.595 (0.800-4.100)	11.40	99
15+20+20+20+20	1.57	2.03	2.03	2.03	2.03	9.70 (4.10-12.70)	2.755 (0.880-4.100)	12.10	99
15+20+20+20+22	1.44	1.86	1.86	1.86	2.79	9.80 (4.10-12.90)	2.715 (0.860-4.100)	11.92	99
15+20+20+20+25	1.40	1.81	1.81	1.81	2.96	9.80 (4.10-12.90)	2.715 (0.860-4.100)	11.92	99
15+20+20+20+35	1.35	1.75	1.75	1.75	3.19	9.80 (4.10-12.90)	2.715 (0.860-4.100)	11.92	99
15+20+20+20+42	1.22	1.57	1.57	1.57	3.86	9.80 (4.10-12.90)	2.715 (0.860-4.100)	11.92	99
15+20+20+20+50	1.07	1.39	1.39	1.39	4.55	9.80 (4.10-12.90)	2.715 (0.860-4.100)	11.92	99
15+20+20+20+60	1.03	1.33	1.33	1.33	4.78	9.80 (4.10-12.90)	2.705 (0.860-4.090)	11.88	99
15+20+20+20+71	1.03	1.33	1.33	1.33	4.78	9.80 (4.10-12.90)	2.695 (0.860-4.080)	11.84	99
15+20+20+22+22	1.33	1.71	1.71	2.57	2.57	9.90 (4.10-13.10)	2.675 (0.840-4.100)	11.75	99
15+20+20+22+35	1.26	1.63	1.63	2.44	2.96	9.90 (4.10-13.10)	2.675 (0.840-4.100)	11.75	99
15+20+20+22+42	1.14	1.47	1.47	2.21	3.61	9.90 (4.10-13.10)	2.675 (0.840-4.100)	11.75	99
15+20+20+22+50	1.01	1.31	1.31	1.97	4.29	9.90 (4.10-13.10)	2.675 (0.840-4.100)	11.75	99
15+20+20+22+60	0.97	1.26	1.26	1.89	4.52	9.90 (4.10-13.10)	2.665 (0.840-4.090)	11.70	99
15+20+20+22+71	0.97	1.26	1.26	1.89	4.52	9.90 (4.10-13.10)	2.655 (0.840-4.080)	11.66	99
15+20+20+25+25	1.27	1.64	1.64	2.68	2.68	9.90 (4.10-13.10)	2.675 (0.840-4.100)	11.75	99
15+20+20+25+35	1.23	1.59	1.59	2.60	2.89	9.90 (4.10-13.10)	2.675 (0.840-4.100)	11.75	99
15+20+20+25+42	1.11	1.44	1.44	2.36	3.54	9.90 (4.10-13.10)	2.675 (0.840-4.100)	11.75	99
15+20+20+25+50	1.00	1.29	1.29	2.11	4.22	9.90 (4.10-13.10)	2.675 (0.840-4.100)	11.75	99
15+20+20+25+60	0.96	1.24	1.24	2.03	4.44	9.90 (4.10-13.10)	2.665 (0.840-4.090)	11.70	99
15+20+20+25+71	0.96	1.24	1.24	2.03	4.44	9.90 (4.10-13.10)	2.655 (0.840-4.080)	11.66	99
15+20+20+35+35	1.19	1.54	1.54	2.81	2.81	9.90 (4.10-13.10)	2.675 (0.840-4.100)	11.75	99
15+20+20+35+42	1.09	1.41	1.41	2.55	3.45	9.90 (4.10-13.10)	2.675 (0.840-4.100)	11.75	99
15+20+20+35+50	0.97	1.26	1.26	2.29	4.12	9.90 (4.10-13.10)	2.675 (0.840-4.100)	11.75	99
15+20+20+35+60	0.94	1.21	1.21	2.20	4.35	9.90 (4.10-13.10)	2.665 (0.840-4.090)	11.70	99
15+20+20+35+71	0.94	1.21	1.21	2.20	4.35	9.90 (4.10-13.10)	2.655 (0.840-4.080)	11.66	99
15+20+20+42+42	1.00	1.29	1.29	3.16	3.16	9.90 (4.10-13.10)	2.675 (0.840-4.100)	11.75	99
15+20+20+42+50	0.90	1.16	1.16	2.86	3.81	9.90 (4.10-13.10)	2.675 (0.840-4.100)	11.75	99
15+20+20+42+60	0.87	1.12	1.12	2.76	4.03	9.90 (4.10-13.10)	2.665 (0.840-4.090)	11.70	99
15+20+20+42+71	0.87	1.12	1.12	2.76	4.03	9.90 (4.10-13.10)	2.655 (0.840-4.080)	11.66	99
15+20+20+50+50	0.82	1.06	1.06	3.48	3.48	9.90 (4.10-13.10)	2.675 (0.840-4.100)	11.75	99

# MXZ-5D102VA HEATING

Indoor units combination	Heating capacity (kW)						Outdoor unit power consumption(kW)	Current (A)	Power factor(%)
	Unit A	Unit B	Unit C	Unit D	Unit E	Total			
15+20+20+50+60	0.79	1.03	1.03	3.36	3.69	9.90 (4.10-13.10)	2.665 (0.840-4.090)	11.70	99
15+20+22+22+22	1.23	1.59	2.39	2.39	2.39	10.00 (4.10-13.30)	2.635 (0.820-4.100)	11.57	99
15+20+22+22+25	1.21	1.56	2.34	2.34	2.55	10.00 (4.10-13.30)	2.635 (0.820-4.100)	11.57	99
15+20+22+22+35	1.17	1.52	2.28	2.28	2.76	10.00 (4.10-13.30)	2.635 (0.820-4.100)	11.57	99
15+20+22+22+42	1.07	1.38	2.08	2.08	3.40	10.00 (4.10-13.30)	2.635 (0.820-4.100)	11.57	99
15+20+22+22+50	0.96	1.24	1.86	1.86	4.07	10.00 (4.10-13.30)	2.635 (0.820-4.100)	11.57	99
15+20+22+22+60	0.92	1.20	1.79	1.79	4.29	10.00 (4.10-13.30)	2.625 (0.820-4.090)	11.53	99
15+20+22+22+71	0.92	1.20	1.79	1.79	4.29	10.00 (4.10-13.30)	2.615 (0.820-4.080)	11.48	99
15+20+22+25+25	1.18	1.53	2.29	2.50	2.50	10.00 (4.10-13.30)	2.635 (0.820-4.100)	11.57	99
15+20+22+25+35	1.15	1.49	2.23	2.43	2.70	10.00 (4.10-13.30)	2.635 (0.820-4.100)	11.57	99
15+20+22+25+42	1.05	1.36	2.04	2.22	3.33	10.00 (4.10-13.30)	2.635 (0.820-4.100)	11.57	99
15+20+22+25+50	0.94	1.22	1.83	2.00	4.00	10.00 (4.10-13.30)	2.635 (0.820-4.100)	11.57	99
15+20+22+25+60	0.91	1.18	1.76	1.93	4.22	10.00 (4.10-13.30)	2.625 (0.820-4.090)	11.53	99
15+20+22+25+71	0.91	1.18	1.76	1.93	4.22	10.00 (4.10-13.30)	2.615 (0.820-4.080)	11.48	99
15+20+22+35+35	1.12	1.45	2.17	2.63	2.63	10.00 (4.10-13.30)	2.635 (0.820-4.100)	11.57	99
15+20+22+35+42	1.02	1.33	1.99	2.41	3.25	10.00 (4.10-13.30)	2.635 (0.820-4.100)	11.57	99
15+20+22+35+50	0.92	1.20	1.79	2.17	3.91	10.00 (4.10-13.30)	2.635 (0.820-4.100)	11.57	99
15+20+22+35+60	0.89	1.15	1.73	2.09	4.14	10.00 (4.10-13.30)	2.625 (0.820-4.090)	11.53	99
15+20+22+35+71	0.89	1.15	1.73	2.09	4.14	10.00 (4.10-13.30)	2.615 (0.820-4.080)	11.48	99
15+20+22+42+42	0.94	1.22	1.83	3.00	3.00	10.00 (4.10-13.30)	2.635 (0.820-4.100)	11.57	99
15+20+22+42+50	0.86	1.11	1.67	2.73	3.64	10.00 (4.10-13.30)	2.635 (0.820-4.100)	11.57	99
15+20+22+42+60	0.83	1.07	1.61	2.63	3.85	10.00 (4.10-13.30)	2.625 (0.820-4.090)	11.53	99
15+20+22+42+71	0.83	1.07	1.61	2.63	3.85	10.00 (4.10-13.30)	2.615 (0.820-4.080)	11.48	99
15+20+22+50+50	0.79	1.02	1.53	3.33	3.33	10.00 (4.10-13.30)	2.635 (0.820-4.100)	11.57	99
15+20+22+50+60	0.76	0.99	1.48	3.23	3.54	10.00 (4.10-13.30)	2.625 (0.820-4.090)	11.53	99
15+20+25+25+25	1.16	1.50	2.45	2.45	2.45	10.00 (4.10-13.30)	2.635 (0.820-4.100)	11.57	99
15+20+25+25+35	1.13	1.46	2.38	2.38	2.65	10.00 (4.10-13.30)	2.635 (0.820-4.100)	11.57	99
15+20+25+25+42	1.03	1.33	2.18	2.18	3.27	10.00 (4.10-13.30)	2.635 (0.820-4.100)	11.57	99
15+20+25+25+50	0.93	1.20	1.97	1.97	3.93	10.00 (4.10-13.30)	2.635 (0.820-4.100)	11.57	99
15+20+25+25+60	0.89	1.16	1.89	1.89	4.16	10.00 (4.10-13.30)	2.625 (0.820-4.090)	11.53	99
15+20+25+25+71	0.89	1.16	1.89	1.89	4.16	10.00 (4.10-13.30)	2.615 (0.820-4.080)	11.48	99
15+20+25+35+35	1.10	1.42	2.32	2.58	2.58	10.00 (4.10-13.30)	2.635 (0.820-4.100)	11.57	99
15+20+25+35+42	1.01	1.30	2.13	2.37	3.20	10.00 (4.10-13.30)	2.635 (0.820-4.100)	11.57	99
15+20+25+35+50	0.91	1.18	1.93	2.14	3.85	10.00 (4.10-13.30)	2.635 (0.820-4.100)	11.57	99
15+20+25+35+60	0.88	1.13	1.86	2.06	4.07	10.00 (4.10-13.30)	2.625 (0.820-4.090)	11.53	99
15+20+25+35+71	0.88	1.13	1.86	2.06	4.07	10.00 (4.10-13.30)	2.615 (0.820-4.080)	11.48	99
15+20+25+42+42	0.93	1.20	1.97	2.95	2.95	10.00 (4.10-13.30)	2.635 (0.820-4.100)	11.57	99
15+20+25+42+50	0.85	1.09	1.79	2.69	3.58	10.00 (4.10-13.30)	2.635 (0.820-4.100)	11.57	99
15+20+25+42+60	0.82	1.06	1.73	2.60	3.80	10.00 (4.10-13.30)	2.625 (0.820-4.090)	11.53	99
15+20+25+50+50	0.78	1.00	1.64	3.29	3.29	10.00 (4.10-13.30)	2.635 (0.820-4.100)	11.57	99
15+20+25+50+60	0.75	0.97	1.59	3.19	3.50	10.00 (4.10-13.30)	2.625 (0.820-4.090)	11.53	99

# MXZ-5D102VA HEATING

Indoor units combination	Heating capacity (kW)						Outdoor unit power consumption(kW)	Current (A)	Power factor(%)
	Unit A	Unit B	Unit C	Unit D	Unit E	Total			
15+20+35+35+35	1.07	1.38	2.52	2.52	2.52	10.00 (4.10-13.30)	2.635 (0.820-4.100)	11.57	99
15+20+35+35+42	0.98	1.27	2.31	2.31	3.12	10.00 (4.10-13.30)	2.635 (0.820-4.100)	11.57	99
15+20+35+35+50	0.89	1.15	2.09	2.09	3.77	10.00 (4.10-13.30)	2.635 (0.820-4.100)	11.57	99
15+20+35+35+60	0.86	1.11	2.02	2.02	3.99	10.00 (4.10-13.30)	2.625 (0.820-4.090)	11.53	99
15+20+35+42+42	0.91	1.18	2.14	2.89	2.89	10.00 (4.10-13.30)	2.635 (0.820-4.100)	11.57	99
15+20+35+42+50	0.83	1.07	1.95	2.63	3.51	10.00 (4.10-13.30)	2.635 (0.820-4.100)	11.57	99
15+20+35+42+60	0.80	1.04	1.89	2.55	3.73	10.00 (4.10-13.30)	2.625 (0.820-4.090)	11.53	99
15+20+35+50+50	0.76	0.99	1.79	3.23	3.23	10.00 (4.10-13.30)	2.635 (0.820-4.100)	11.57	99
15+20+42+42+42	0.85	1.09	2.69	2.69	2.69	10.00 (4.10-13.30)	2.635 (0.820-4.100)	11.57	99
15+20+42+42+50	0.78	1.00	2.47	2.47	3.29	10.00 (4.10-13.30)	2.635 (0.820-4.100)	11.57	99
15+22+22+22+22	1.15	2.24	2.24	2.24	2.24	10.10 (4.10-13.50)	2.595 (0.800-4.100)	11.40	99
15+22+22+22+25	1.13	2.19	2.19	2.19	2.39	10.10 (4.10-13.50)	2.595 (0.800-4.100)	11.40	99
15+22+22+22+35	1.10	2.14	2.14	2.14	2.59	10.10 (4.10-13.50)	2.595 (0.800-4.100)	11.40	99
15+22+22+22+42	1.01	1.96	1.96	1.96	3.21	10.10 (4.10-13.50)	2.595 (0.800-4.100)	11.40	99
15+22+22+22+50	0.91	1.77	1.77	1.77	3.87	10.10 (4.10-13.50)	2.595 (0.800-4.100)	11.40	99
15+22+22+22+60	0.88	1.71	1.71	1.71	4.09	10.10 (4.10-13.50)	2.585 (0.800-4.090)	11.35	99
15+22+22+22+71	0.88	1.71	1.71	1.71	4.09	10.10 (4.10-13.50)	2.575 (0.800-4.080)	11.31	99
15+22+22+25+25	1.11	2.15	2.15	2.35	2.35	10.10 (4.10-13.50)	2.595 (0.800-4.100)	11.40	99
15+22+22+25+35	1.08	2.10	2.10	2.29	2.54	10.10 (4.10-13.50)	2.595 (0.800-4.100)	11.40	99
15+22+22+25+42	0.99	1.93	1.93	2.10	3.15	10.10 (4.10-13.50)	2.595 (0.800-4.100)	11.40	99
15+22+22+25+50	0.90	1.75	1.75	1.90	3.81	10.10 (4.10-13.50)	2.595 (0.800-4.100)	11.40	99
15+22+22+25+60	0.87	1.68	1.68	1.84	4.03	10.10 (4.10-13.50)	2.585 (0.800-4.090)	11.35	99
15+22+22+25+71	0.87	1.68	1.68	1.84	4.03	10.10 (4.10-13.50)	2.575 (0.800-4.080)	11.31	99
15+22+22+35+35	1.05	2.04	2.04	2.48	2.48	10.10 (4.10-13.50)	2.595 (0.800-4.100)	11.40	99
15+22+22+35+42	0.97	1.88	1.88	2.28	3.08	10.10 (4.10-13.50)	2.595 (0.800-4.100)	11.40	99
15+22+22+35+50	0.88	1.71	1.71	2.07	3.73	10.10 (4.10-13.50)	2.595 (0.800-4.100)	11.40	99
15+22+22+35+60	0.85	1.65	1.65	2.00	3.95	10.10 (4.10-13.50)	2.585 (0.800-4.090)	11.35	99
15+22+22+35+71	0.85	1.65	1.65	2.00	3.95	10.10 (4.10-13.50)	2.575 (0.800-4.080)	11.31	99
15+22+22+42+42	0.90	1.75	1.75	2.86	2.86	10.10 (4.10-13.50)	2.595 (0.800-4.100)	11.40	99
15+22+22+42+50	0.82	1.59	1.59	2.61	3.48	10.10 (4.10-13.50)	2.595 (0.800-4.100)	11.40	99
15+22+22+42+60	0.79	1.54	1.54	2.53	3.69	10.10 (4.10-13.50)	2.585 (0.800-4.090)	11.35	99
15+22+22+42+71	0.79	1.54	1.54	2.53	3.69	10.10 (4.10-13.50)	2.575 (0.800-4.080)	11.31	99
15+22+22+50+50	0.76	1.47	1.47	3.20	3.20	10.10 (4.10-13.50)	2.595 (0.800-4.100)	11.40	99
15+22+22+50+60	0.73	1.42	1.42	3.11	3.41	10.10 (4.10-13.50)	2.585 (0.800-4.090)	11.35	99
15+22+25+25+25	1.09	2.11	2.30	2.30	2.30	10.10 (4.10-13.50)	2.595 (0.800-4.100)	11.40	99
15+22+25+25+35	1.06	2.06	2.24	2.24	2.49	10.10 (4.10-13.50)	2.595 (0.800-4.100)	11.40	99
15+22+25+25+42	0.98	1.89	2.07	2.07	3.10	10.10 (4.10-13.50)	2.595 (0.800-4.100)	11.40	99
15+22+25+25+50	0.89	1.72	1.87	1.87	3.75	10.10 (4.10-13.50)	2.595 (0.800-4.100)	11.40	99
15+22+25+25+60	0.85	1.66	1.81	1.81	3.97	10.10 (4.10-13.50)	2.585 (0.800-4.090)	11.35	99
15+22+25+25+71	0.85	1.66	1.81	1.81	3.97	10.10 (4.10-13.50)	2.575 (0.800-4.080)	11.31	99
15+22+25+35+35	1.03	2.01	2.19	2.43	2.43	10.10 (4.10-13.50)	2.595 (0.800-4.100)	11.40	99

# MXZ-5D102VA HEATING

Indoor units combination	Heating capacity (kW)						Outdoor unit power consumption(kW)	Current (A)	Power factor(%)
	Unit A	Unit B	Unit C	Unit D	Unit E	Total			
15+22+25+35+42	0.95	1.85	2.02	2.24	3.03	10.10 (4.10-13.50)	2.595 (0.800-4.100)	11.40	99
15+22+25+35+50	0.87	1.68	1.84	2.04	3.67	10.10 (4.10-13.50)	2.595 (0.800-4.100)	11.40	99
15+22+25+35+60	0.84	1.63	1.77	1.97	3.89	10.10 (4.10-13.50)	2.585 (0.800-4.090)	11.35	99
15+22+25+35+71	0.84	1.63	1.77	1.97	3.89	10.10 (4.10-13.50)	2.575 (0.800-4.080)	11.31	99
15+22+25+42+42	0.89	1.72	1.87	2.81	2.81	10.10 (4.10-13.50)	2.595 (0.800-4.100)	11.40	99
15+22+25+42+50	0.81	1.57	1.72	2.57	3.43	10.10 (4.10-13.50)	2.595 (0.800-4.100)	11.40	99
15+22+25+42+60	0.78	1.52	1.66	2.49	3.64	10.10 (4.10-13.50)	2.585 (0.800-4.090)	11.35	99
15+22+25+50+50	0.75	1.45	1.58	3.16	3.16	10.10 (4.10-13.50)	2.595 (0.800-4.100)	11.40	99
15+22+25+50+60	0.72	1.41	1.53	3.07	3.37	10.10 (4.10-13.50)	2.585 (0.800-4.090)	11.35	99
15+22+35+35+35	1.01	1.96	2.38	2.38	2.38	10.10 (4.10-13.50)	2.595 (0.800-4.100)	11.40	99
15+22+35+35+42	0.93	1.81	2.20	2.20	2.96	10.10 (4.10-13.50)	2.595 (0.800-4.100)	11.40	99
15+22+35+35+50	0.85	1.65	2.00	2.00	3.60	10.10 (4.10-13.50)	2.595 (0.800-4.100)	11.40	99
15+22+35+35+60	0.82	1.59	1.93	1.93	3.82	10.10 (4.10-13.50)	2.585 (0.800-4.090)	11.35	99
15+22+35+42+42	0.87	1.68	2.04	2.75	2.75	10.10 (4.10-13.50)	2.595 (0.800-4.100)	11.40	99
15+22+35+42+50	0.79	1.54	1.87	2.53	3.37	10.10 (4.10-13.50)	2.595 (0.800-4.100)	11.40	99
15+22+35+50+50	0.73	1.42	1.73	3.11	3.11	10.10 (4.10-13.50)	2.595 (0.800-4.100)	11.40	99
15+22+42+42+42	0.81	1.57	2.57	2.57	2.57	10.10 (4.10-13.50)	2.595 (0.800-4.100)	11.40	99
15+22+42+42+50	0.75	1.45	2.37	2.37	3.16	10.10 (4.10-13.50)	2.595 (0.800-4.100)	11.40	99
15+25+25+25+25	1.07	2.26	2.26	2.26	2.26	10.10 (4.10-13.50)	2.595 (0.800-4.100)	11.40	99
15+25+25+25+35	1.04	2.20	2.20	2.20	2.45	10.10 (4.10-13.50)	2.595 (0.800-4.100)	11.40	99
15+25+25+25+42	0.96	2.03	2.03	2.03	3.05	10.10 (4.10-13.50)	2.595 (0.800-4.100)	11.40	99
15+25+25+25+50	0.87	1.85	1.85	1.85	3.69	10.10 (4.10-13.50)	2.595 (0.800-4.100)	11.40	99
15+25+25+25+60	0.84	1.78	1.78	1.78	3.91	10.10 (4.10-13.50)	2.585 (0.800-4.090)	11.35	99
15+25+25+25+71	0.84	1.78	1.78	1.78	3.91	10.10 (4.10-13.50)	2.575 (0.800-4.080)	11.31	99
15+25+25+35+35	1.02	2.15	2.15	2.39	2.39	10.10 (4.10-13.50)	2.595 (0.800-4.100)	11.40	99
15+25+25+35+42	0.94	1.99	1.99	2.21	2.98	10.10 (4.10-13.50)	2.595 (0.800-4.100)	11.40	99
15+25+25+35+50	0.85	1.81	1.81	2.01	3.62	10.10 (4.10-13.50)	2.595 (0.800-4.100)	11.40	99
15+25+25+35+60	0.83	1.75	1.75	1.94	3.84	10.10 (4.10-13.50)	2.585 (0.800-4.090)	11.35	99
15+25+25+35+71	0.83	1.75	1.75	1.94	3.84	10.10 (4.10-13.50)	2.575 (0.800-4.080)	11.31	99
15+25+25+42+42	0.87	1.85	1.85	2.77	2.77	10.10 (4.10-13.50)	2.595 (0.800-4.100)	11.40	99
15+25+25+42+50	0.80	1.69	1.69	2.54	3.38	10.10 (4.10-13.50)	2.595 (0.800-4.100)	11.40	99
15+25+25+42+60	0.77	1.64	1.64	2.46	3.59	10.10 (4.10-13.50)	2.585 (0.800-4.090)	11.35	99
15+25+25+50+50	0.74	1.56	1.56	3.12	3.12	10.10 (4.10-13.50)	2.595 (0.800-4.100)	11.40	99
15+25+35+35+35	0.99	2.10	2.34	2.34	2.34	10.10 (4.10-13.50)	2.595 (0.800-4.100)	11.40	99
15+25+35+35+42	0.92	1.94	2.16	2.16	2.92	10.10 (4.10-13.50)	2.595 (0.800-4.100)	11.40	99
15+25+35+35+50	0.84	1.77	1.97	1.97	3.55	10.10 (4.10-13.50)	2.595 (0.800-4.100)	11.40	99
15+25+35+35+60	0.81	1.72	1.91	1.91	3.76	10.10 (4.10-13.50)	2.585 (0.800-4.090)	11.35	99
15+25+35+42+42	0.85	1.81	2.01	2.71	2.71	10.10 (4.10-13.50)	2.595 (0.800-4.100)	11.40	99
15+25+35+42+50	0.78	1.66	1.84	2.49	3.32	10.10 (4.10-13.50)	2.595 (0.800-4.100)	11.40	99
15+25+42+42+42	0.80	1.69	2.54	2.54	2.54	10.10 (4.10-13.50)	2.595 (0.800-4.100)	11.40	99
15+35+35+35+35	0.97	2.28	2.28	2.28	2.28	10.10 (4.10-13.50)	2.595 (0.800-4.100)	11.40	99

# MXZ-5D102VA HEATING

Indoor units combination	Heating capacity (kW)						Outdoor unit power consumption(kW)	Current (A)	Power factor(%)
	Unit A	Unit B	Unit C	Unit D	Unit E	Total			
15+35+35+35+42	0.90	2.12	2.12	2.12	2.86	10.10 (4.10-13.50)	2.595 (0.800-4.100)	11.40	99
15+35+35+35+50	0.82	1.93	1.93	1.93	3.48	10.10 (4.10-13.50)	2.595 (0.800-4.100)	11.40	99
15+35+35+42+42	0.84	1.97	1.97	2.66	2.66	10.10 (4.10-13.50)	2.595 (0.800-4.100)	11.40	99
18+18+18+18+18	2.10	2.10	2.10	2.10	2.10	10.50 (4.10-14.00)	2.765 (0.780-4.100)	12.14	99
18+18+18+18+20	2.23	2.23	2.23	2.23	1.49	10.40 (4.10-13.80)	2.805 (0.800-4.100)	12.32	99
18+18+18+18+22	2.10	2.10	2.10	2.10	2.10	10.50 (4.10-14.00)	2.765 (0.780-4.100)	12.14	99
18+18+18+18+25	2.06	2.06	2.06	2.06	2.25	10.50 (4.10-14.00)	2.765 (0.780-4.100)	12.14	99
18+18+18+18+35	2.01	2.01	2.01	2.01	2.44	10.50 (4.10-14.00)	2.765 (0.780-4.100)	12.14	99
18+18+18+18+42	1.86	1.86	1.86	1.86	3.05	10.50 (4.10-14.00)	2.765 (0.780-4.100)	12.14	99
18+18+18+18+50	1.70	1.70	1.70	1.70	3.71	10.50 (4.10-14.00)	2.765 (0.780-4.100)	12.14	99
18+18+18+18+60	1.64	1.64	1.64	1.64	3.93	10.50 (4.10-14.00)	2.755 (0.780-4.090)	12.10	99
18+18+18+18+71	1.64	1.64	1.64	1.64	3.93	10.50 (4.10-14.00)	2.745 (0.780-4.080)	12.06	99
18+18+18+20+20	2.38	2.38	2.38	1.58	1.58	10.30 (4.10-13.60)	2.845 (0.820-4.100)	12.49	99
18+18+18+20+22	2.23	2.23	2.23	1.49	2.23	10.40 (4.10-13.80)	2.805 (0.800-4.100)	12.32	99
18+18+18+20+25	2.19	2.19	2.19	1.46	2.38	10.40 (4.10-13.80)	2.805 (0.800-4.100)	12.32	99
18+18+18+20+35	2.13	2.13	2.13	1.42	2.58	10.40 (4.10-13.80)	2.805 (0.800-4.100)	12.32	99
18+18+18+20+42	1.96	1.96	1.96	1.31	3.21	10.40 (4.10-13.80)	2.805 (0.800-4.100)	12.32	99
18+18+18+20+50	1.78	1.78	1.78	1.19	3.88	10.40 (4.10-13.80)	2.805 (0.800-4.100)	12.32	99
18+18+18+20+60	1.72	1.72	1.72	1.14	4.11	10.40 (4.10-13.80)	2.795 (0.800-4.090)	12.27	99
18+18+18+20+71	1.72	1.72	1.72	1.14	4.11	10.40 (4.10-13.80)	2.785 (0.800-4.080)	12.23	99
18+18+18+22+22	2.10	2.10	2.10	2.10	2.10	10.50 (4.10-14.00)	2.765 (0.780-4.100)	12.14	99
18+18+18+22+25	2.06	2.06	2.06	2.06	2.25	10.50 (4.10-14.00)	2.765 (0.780-4.100)	12.14	99
18+18+18+22+35	2.01	2.01	2.01	2.01	2.44	10.50 (4.10-14.00)	2.765 (0.780-4.100)	12.14	99
18+18+18+22+42	1.86	1.86	1.86	1.86	3.05	10.50 (4.10-14.00)	2.765 (0.780-4.100)	12.14	99
18+18+18+22+50	1.70	1.70	1.70	1.70	3.71	10.50 (4.10-14.00)	2.765 (0.780-4.100)	12.14	99
18+18+18+22+60	1.64	1.64	1.64	1.64	3.93	10.50 (4.10-14.00)	2.755 (0.780-4.090)	12.10	99
18+18+18+22+71	1.64	1.64	1.64	1.64	3.93	10.50 (4.10-14.00)	2.745 (0.780-4.080)	12.06	99
18+18+18+25+25	2.03	2.03	2.03	2.21	2.21	10.50 (4.10-14.00)	2.765 (0.780-4.100)	12.14	99
18+18+18+25+35	1.98	1.98	1.98	2.16	2.40	10.50 (4.10-14.00)	2.765 (0.780-4.100)	12.14	99
18+18+18+25+42	1.83	1.83	1.83	2.00	3.00	10.50 (4.10-14.00)	2.765 (0.780-4.100)	12.14	99
18+18+18+25+50	1.67	1.67	1.67	1.83	3.65	10.50 (4.10-14.00)	2.765 (0.780-4.100)	12.14	99
18+18+18+25+60	1.62	1.62	1.62	1.77	3.88	10.50 (4.10-14.00)	2.755 (0.780-4.090)	12.10	99
18+18+18+25+71	1.62	1.62	1.62	1.77	3.88	10.50 (4.10-14.00)	2.745 (0.780-4.080)	12.06	99
18+18+18+35+35	1.94	1.94	1.94	2.35	2.35	10.50 (4.10-14.00)	2.765 (0.780-4.100)	12.14	99
18+18+18+35+42	1.80	1.80	1.80	2.18	2.94	10.50 (4.10-14.00)	2.765 (0.780-4.100)	12.14	99
18+18+18+35+50	1.64	1.64	1.64	1.99	3.58	10.50 (4.10-14.00)	2.765 (0.780-4.100)	12.14	99
18+18+18+35+60	1.59	1.59	1.59	1.93	3.81	10.50 (4.10-14.00)	2.755 (0.780-4.090)	12.10	99
18+18+18+35+71	1.59	1.59	1.59	1.93	3.81	10.50 (4.10-14.00)	2.745 (0.780-4.080)	12.06	99
18+18+18+42+42	1.67	1.67	1.67	2.74	2.74	10.50 (4.10-14.00)	2.765 (0.780-4.100)	12.14	99
18+18+18+42+50	1.54	1.54	1.54	2.52	3.36	10.50 (4.10-14.00)	2.765 (0.780-4.100)	12.14	99
18+18+18+42+60	1.49	1.49	1.49	2.44	3.58	10.50 (4.10-14.00)	2.755 (0.780-4.090)	12.10	99

# MXZ-5D102VA HEATING

Indoor units combination	Heating capacity (kW)						Outdoor unit power consumption(kW)	Current (A)	Power factor(%)
	Unit A	Unit B	Unit C	Unit D	Unit E	Total			
18+18+18+42+71	1.49	1.49	1.49	2.44	3.58	10.50 (4.10-14.00)	2.745 (0.780-4.080)	12.06	99
18+18+18+50+50	1.43	1.43	1.43	3.11	3.11	10.50 (4.10-14.00)	2.765 (0.780-4.100)	12.14	99
18+18+18+50+60	1.39	1.39	1.39	3.02	3.32	10.50 (4.10-14.00)	2.755 (0.780-4.090)	12.10	99
18+18+20+20+20	2.55	2.55	1.70	1.70	1.70	10.20 (4.10-13.40)	2.885 (0.840-4.100)	12.67	99
18+18+20+20+22	2.38	2.38	1.58	1.58	2.38	10.30 (4.10-13.60)	2.845 (0.820-4.100)	12.49	99
18+18+20+20+25	2.33	2.33	1.55	1.55	2.54	10.30 (4.10-13.60)	2.845 (0.820-4.100)	12.49	99
18+18+20+20+35	2.27	2.27	1.51	1.51	2.75	10.30 (4.10-13.60)	2.845 (0.820-4.100)	12.49	99
18+18+20+20+42	2.07	2.07	1.38	1.38	3.39	10.30 (4.10-13.60)	2.845 (0.820-4.100)	12.49	99
18+18+20+20+50	1.87	1.87	1.25	1.25	4.07	10.30 (4.10-13.60)	2.845 (0.820-4.100)	12.49	99
18+18+20+20+60	1.80	1.80	1.20	1.20	4.31	10.30 (4.10-13.60)	2.835 (0.820-4.090)	12.45	99
18+18+20+20+71	1.80	1.80	1.20	1.20	4.31	10.30 (4.10-13.60)	2.825 (0.820-4.080)	12.41	99
18+18+20+22+22	2.23	2.23	1.49	2.23	2.23	10.40 (4.10-13.80)	2.805 (0.800-4.100)	12.32	99
18+18+20+22+25	2.19	2.19	1.46	2.19	2.38	10.40 (4.10-13.80)	2.805 (0.800-4.100)	12.32	99
18+18+20+22+35	2.13	2.13	1.42	2.13	2.58	10.40 (4.10-13.80)	2.805 (0.800-4.100)	12.32	99
18+18+20+22+42	1.96	1.96	1.31	1.96	3.21	10.40 (4.10-13.80)	2.805 (0.800-4.100)	12.32	99
18+18+20+22+50	1.78	1.78	1.19	1.78	3.88	10.40 (4.10-13.80)	2.805 (0.800-4.100)	12.32	99
18+18+20+22+60	1.72	1.72	1.14	1.72	4.11	10.40 (4.10-13.80)	2.795 (0.800-4.090)	12.27	99
18+18+20+22+71	1.72	1.72	1.14	1.72	4.11	10.40 (4.10-13.80)	2.785 (0.800-4.080)	12.23	99
18+18+20+25+25	2.15	2.15	1.43	2.34	2.34	10.40 (4.10-13.80)	2.805 (0.800-4.100)	12.32	99
18+18+20+25+35	2.09	2.09	1.40	2.28	2.54	10.40 (4.10-13.80)	2.805 (0.800-4.100)	12.32	99
18+18+20+25+42	1.93	1.93	1.29	2.10	3.16	10.40 (4.10-13.80)	2.805 (0.800-4.100)	12.32	99
18+18+20+25+50	1.75	1.75	1.17	1.91	3.82	10.40 (4.10-13.80)	2.805 (0.800-4.100)	12.32	99
18+18+20+25+60	1.69	1.69	1.13	1.84	4.05	10.40 (4.10-13.80)	2.795 (0.800-4.090)	12.27	99
18+18+20+25+71	1.69	1.69	1.13	1.84	4.05	10.40 (4.10-13.80)	2.785 (0.800-4.080)	12.23	99
18+18+20+35+35	2.04	2.04	1.36	2.48	2.48	10.40 (4.10-13.80)	2.805 (0.800-4.100)	12.32	99
18+18+20+35+42	1.89	1.89	1.26	2.29	3.09	10.40 (4.10-13.80)	2.805 (0.800-4.100)	12.32	99
18+18+20+35+50	1.72	1.72	1.14	2.08	3.74	10.40 (4.10-13.80)	2.805 (0.800-4.100)	12.32	99
18+18+20+35+60	1.66	1.66	1.11	2.01	3.97	10.40 (4.10-13.80)	2.795 (0.800-4.090)	12.27	99
18+18+20+35+71	1.66	1.66	1.11	2.01	3.97	10.40 (4.10-13.80)	2.785 (0.800-4.080)	12.23	99
18+18+20+42+42	1.75	1.75	1.17	2.87	2.87	10.40 (4.10-13.80)	2.805 (0.800-4.100)	12.32	99
18+18+20+42+50	1.60	1.60	1.07	2.62	3.50	10.40 (4.10-13.80)	2.805 (0.800-4.100)	12.32	99
18+18+20+42+60	1.55	1.55	1.04	2.54	3.72	10.40 (4.10-13.80)	2.795 (0.800-4.090)	12.27	99
18+18+20+42+71	1.55	1.55	1.04	2.54	3.72	10.40 (4.10-13.80)	2.785 (0.800-4.080)	12.23	99
18+18+20+50+50	1.48	1.48	0.99	3.23	3.23	10.40 (4.10-13.80)	2.805 (0.800-4.100)	12.32	99
18+18+20+50+60	1.44	1.44	0.96	3.13	3.44	10.40 (4.10-13.80)	2.795 (0.800-4.090)	12.27	99
18+18+22+22+22	2.10	2.10	2.10	2.10	2.10	10.50 (4.10-14.00)	2.765 (0.780-4.100)	12.14	99
18+18+22+22+25	2.06	2.06	2.06	2.06	2.25	10.50 (4.10-14.00)	2.765 (0.780-4.100)	12.14	99
18+18+22+22+35	2.01	2.01	2.01	2.01	2.44	10.50 (4.10-14.00)	2.765 (0.780-4.100)	12.14	99
18+18+22+22+42	1.86	1.86	1.86	1.86	3.05	10.50 (4.10-14.00)	2.765 (0.780-4.100)	12.14	99
18+18+22+22+50	1.70	1.70	1.70	1.70	3.71	10.50 (4.10-14.00)	2.765 (0.780-4.100)	12.14	99
18+18+22+22+60	1.64	1.64	1.64	1.64	3.93	10.50 (4.10-14.00)	2.755 (0.780-4.090)	12.10	99



# MXZ-5D102VA HEATING

Indoor units combination	Heating capacity (kW)						Outdoor unit power consumption(kW)	Current (A)	Power factor(%)
	Unit A	Unit B	Unit C	Unit D	Unit E	Total			
18+18+22+22+71	1.64	1.64	1.64	1.64	3.93	10.50 (4.10-14.00)	2.745 (0.780-4.080)	12.06	99
18+18+22+25+25	2.03	2.03	2.03	2.21	2.21	10.50 (4.10-14.00)	2.765 (0.780-4.100)	12.14	99
18+18+22+25+35	1.98	1.98	1.98	2.16	2.40	10.50 (4.10-14.00)	2.765 (0.780-4.100)	12.14	99
18+18+22+25+42	1.83	1.83	1.83	2.00	3.00	10.50 (4.10-14.00)	2.765 (0.780-4.100)	12.14	99
18+18+22+25+50	1.67	1.67	1.67	1.83	3.65	10.50 (4.10-14.00)	2.765 (0.780-4.100)	12.14	99
18+18+22+25+60	1.62	1.62	1.62	1.77	3.88	10.50 (4.10-14.00)	2.755 (0.780-4.090)	12.10	99
18+18+22+25+71	1.62	1.62	1.62	1.77	3.88	10.50 (4.10-14.00)	2.745 (0.780-4.080)	12.06	99
18+18+22+35+35	1.94	1.94	1.94	2.35	2.35	10.50 (4.10-14.00)	2.765 (0.780-4.100)	12.14	99
18+18+22+35+42	1.80	1.80	1.80	2.18	2.94	10.50 (4.10-14.00)	2.765 (0.780-4.100)	12.14	99
18+18+22+35+50	1.64	1.64	1.64	1.99	3.58	10.50 (4.10-14.00)	2.765 (0.780-4.100)	12.14	99
18+18+22+35+60	1.59	1.59	1.59	1.93	3.81	10.50 (4.10-14.00)	2.755 (0.780-4.090)	12.10	99
18+18+22+35+71	1.59	1.59	1.59	1.93	3.81	10.50 (4.10-14.00)	2.745 (0.780-4.080)	12.06	99
18+18+22+42+42	1.67	1.67	1.67	2.74	2.74	10.50 (4.10-14.00)	2.765 (0.780-4.100)	12.14	99
18+18+22+42+50	1.54	1.54	1.54	2.52	3.36	10.50 (4.10-14.00)	2.765 (0.780-4.100)	12.14	99
18+18+22+42+60	1.49	1.49	1.49	2.44	3.58	10.50 (4.10-14.00)	2.755 (0.780-4.090)	12.10	99
18+18+22+42+71	1.49	1.49	1.49	2.44	3.58	10.50 (4.10-14.00)	2.745 (0.780-4.080)	12.06	99
18+18+22+50+50	1.43	1.43	1.43	3.11	3.11	10.50 (4.10-14.00)	2.765 (0.780-4.100)	12.14	99
18+18+22+50+60	1.39	1.39	1.39	3.02	3.32	10.50 (4.10-14.00)	2.755 (0.780-4.090)	12.10	99
18+18+25+25+25	1.99	1.99	2.17	2.17	2.17	10.50 (4.10-14.00)	2.765 (0.780-4.100)	12.14	99
18+18+25+25+35	1.95	1.95	2.12	2.12	2.36	10.50 (4.10-14.00)	2.765 (0.780-4.100)	12.14	99
18+18+25+25+42	1.80	1.80	1.97	1.97	2.95	10.50 (4.10-14.00)	2.765 (0.780-4.100)	12.14	99
18+18+25+25+50	1.65	1.65	1.80	1.80	3.60	10.50 (4.10-14.00)	2.765 (0.780-4.100)	12.14	99
18+18+25+25+60	1.60	1.60	1.74	1.74	3.82	10.50 (4.10-14.00)	2.755 (0.780-4.090)	12.10	99
18+18+25+25+71	1.60	1.60	1.74	1.74	3.82	10.50 (4.10-14.00)	2.745 (0.780-4.080)	12.06	99
18+18+25+35+35	1.90	1.90	2.08	2.31	2.31	10.50 (4.10-14.00)	2.765 (0.780-4.100)	12.14	99
18+18+25+35+42	1.77	1.77	1.93	2.14	2.89	10.50 (4.10-14.00)	2.765 (0.780-4.100)	12.14	99
18+18+25+35+50	1.62	1.62	1.77	1.96	3.53	10.50 (4.10-14.00)	2.765 (0.780-4.100)	12.14	99
18+18+25+35+60	1.57	1.57	1.71	1.90	3.75	10.50 (4.10-14.00)	2.755 (0.780-4.090)	12.10	99
18+18+25+35+71	1.57	1.57	1.71	1.90	3.75	10.50 (4.10-14.00)	2.745 (0.780-4.080)	12.06	99
18+18+25+42+42	1.65	1.65	1.80	2.70	2.70	10.50 (4.10-14.00)	2.765 (0.780-4.100)	12.14	99
18+18+25+42+50	1.52	1.52	1.66	2.49	3.32	10.50 (4.10-14.00)	2.765 (0.780-4.100)	12.14	99
18+18+25+42+60	1.47	1.47	1.61	2.41	3.53	10.50 (4.10-14.00)	2.755 (0.780-4.090)	12.10	99
18+18+25+50+50	1.41	1.41	1.54	3.07	3.07	10.50 (4.10-14.00)	2.765 (0.780-4.100)	12.14	99
18+18+25+50+60	1.37	1.37	1.49	2.99	3.28	10.50 (4.10-14.00)	2.755 (0.780-4.090)	12.10	99
18+18+35+35+35	1.86	1.86	2.26	2.26	2.26	10.50 (4.10-14.00)	2.765 (0.780-4.100)	12.14	99
18+18+35+35+42	1.73	1.73	2.10	2.10	2.84	10.50 (4.10-14.00)	2.765 (0.780-4.100)	12.14	99
18+18+35+35+50	1.59	1.59	1.93	1.93	3.47	10.50 (4.10-14.00)	2.765 (0.780-4.100)	12.14	99
18+18+35+35+60	1.54	1.54	1.87	1.87	3.69	10.50 (4.10-14.00)	2.755 (0.780-4.090)	12.10	99
18+18+35+42+42	1.62	1.62	1.96	2.65	2.65	10.50 (4.10-14.00)	2.765 (0.780-4.100)	12.14	99
18+18+35+42+50	1.49	1.49	1.81	2.44	3.26	10.50 (4.10-14.00)	2.765 (0.780-4.100)	12.14	99
18+18+35+50+50	1.39	1.39	1.68	3.02	3.02	10.50 (4.10-14.00)	2.765 (0.780-4.100)	12.14	99

# MXZ-5D102VA HEATING

Indoor units combination	Heating capacity (kW)						Outdoor unit power consumption(kW)	Current (A)	Power factor(%)
	Unit A	Unit B	Unit C	Unit D	Unit E	Total			
18+18+42+42+42	1.52	1.52	2.49	2.49	2.49	10.50 (4.10-14.00)	2.765 (0.780-4.100)	12.14	99
18+18+42+42+50	1.41	1.41	2.30	2.30	3.07	10.50 (4.10-14.00)	2.765 (0.780-4.100)	12.14	99
18+20+20+20+20	2.75	1.84	1.84	1.84	1.84	10.10 (4.10-13.20)	2.925 (0.860-4.100)	12.85	99
18+20+20+20+22	2.55	1.70	1.70	1.70	2.55	10.20 (4.10-13.40)	2.885 (0.840-4.100)	12.67	99
18+20+20+20+25	2.49	1.66	1.66	1.66	2.72	10.20 (4.10-13.40)	2.885 (0.840-4.100)	12.67	99
18+20+20+20+35	2.42	1.61	1.61	1.61	2.94	10.20 (4.10-13.40)	2.885 (0.840-4.100)	12.67	99
18+20+20+20+42	2.20	1.47	1.47	1.47	3.60	10.20 (4.10-13.40)	2.885 (0.840-4.100)	12.67	99
18+20+20+20+50	1.97	1.31	1.31	1.31	4.29	10.20 (4.10-13.40)	2.885 (0.840-4.100)	12.67	99
18+20+20+20+60	1.89	1.26	1.26	1.26	4.53	10.20 (4.10-13.40)	2.875 (0.840-4.090)	12.63	99
18+20+20+20+71	1.89	1.26	1.26	1.26	4.53	10.20 (4.10-13.40)	2.865 (0.840-4.080)	12.58	99
18+20+20+22+25	2.33	1.55	1.55	2.33	2.54	10.30 (4.10-13.60)	2.845 (0.820-4.100)	12.49	99
18+20+20+22+35	2.27	1.51	1.51	2.27	2.75	10.30 (4.10-13.60)	2.845 (0.820-4.100)	12.49	99
18+20+20+22+42	2.07	1.38	1.38	2.07	3.39	10.30 (4.10-13.60)	2.845 (0.820-4.100)	12.49	99
18+20+20+22+50	1.87	1.25	1.25	1.87	4.07	10.30 (4.10-13.60)	2.845 (0.820-4.100)	12.49	99
18+20+20+22+60	1.80	1.20	1.20	1.80	4.31	10.30 (4.10-13.60)	2.835 (0.820-4.090)	12.45	99
18+20+20+22+71	1.80	1.20	1.20	1.80	4.31	10.30 (4.10-13.60)	2.825 (0.820-4.080)	12.41	99
18+20+20+25+25	2.28	1.52	1.52	2.49	2.49	10.30 (4.10-13.60)	2.845 (0.820-4.100)	12.49	99
18+20+20+25+35	2.22	1.48	1.48	2.42	2.69	10.30 (4.10-13.60)	2.845 (0.820-4.100)	12.49	99
18+20+20+25+42	2.04	1.36	1.36	2.22	3.33	10.30 (4.10-13.60)	2.845 (0.820-4.100)	12.49	99
18+20+20+25+50	1.84	1.22	1.22	2.00	4.01	10.30 (4.10-13.60)	2.845 (0.820-4.100)	12.49	99
18+20+20+25+60	1.77	1.18	1.18	1.93	4.24	10.30 (4.10-13.60)	2.835 (0.820-4.090)	12.45	99
18+20+20+25+71	1.77	1.18	1.18	1.93	4.24	10.30 (4.10-13.60)	2.825 (0.820-4.080)	12.41	99
18+20+20+35+35	2.16	1.44	1.44	2.62	2.62	10.30 (4.10-13.60)	2.845 (0.820-4.100)	12.49	99
18+20+20+35+42	1.99	1.33	1.33	2.41	3.25	10.30 (4.10-13.60)	2.845 (0.820-4.100)	12.49	99
18+20+20+35+50	1.80	1.20	1.20	2.18	3.92	10.30 (4.10-13.60)	2.845 (0.820-4.100)	12.49	99
18+20+20+35+60	1.73	1.16	1.16	2.10	4.15	10.30 (4.10-13.60)	2.835 (0.820-4.090)	12.45	99
18+20+20+35+71	1.73	1.16	1.16	2.10	4.15	10.30 (4.10-13.60)	2.825 (0.820-4.080)	12.41	99
18+20+20+42+42	1.84	1.22	1.22	3.01	3.01	10.30 (4.10-13.60)	2.845 (0.820-4.100)	12.49	99
18+20+20+42+50	1.67	1.12	1.12	2.74	3.65	10.30 (4.10-13.60)	2.845 (0.820-4.100)	12.49	99
18+20+20+42+60	1.62	1.08	1.08	2.65	3.87	10.30 (4.10-13.60)	2.835 (0.820-4.090)	12.45	99
18+20+20+42+71	1.62	1.08	1.08	2.65	3.87	10.30 (4.10-13.60)	2.825 (0.820-4.080)	12.41	99
18+20+20+50+50	1.54	1.03	1.03	3.36	3.36	10.30 (4.10-13.60)	2.845 (0.820-4.100)	12.49	99
18+20+20+50+60	1.49	0.99	0.99	3.25	3.57	10.30 (4.10-13.60)	2.835 (0.820-4.090)	12.45	99
18+20+22+22+22	2.23	1.49	2.23	2.23	2.23	10.40 (4.10-13.80)	2.805 (0.800-4.100)	12.32	99
18+20+22+22+25	2.19	1.46	2.19	2.19	2.38	10.40 (4.10-13.80)	2.805 (0.800-4.100)	12.32	99
18+20+22+22+35	2.13	1.42	2.13	2.13	2.58	10.40 (4.10-13.80)	2.805 (0.800-4.100)	12.32	99
18+20+22+22+42	1.96	1.31	1.96	1.96	3.21	10.40 (4.10-13.80)	2.805 (0.800-4.100)	12.32	99
18+20+22+22+50	1.78	1.19	1.78	1.78	3.88	10.40 (4.10-13.80)	2.805 (0.800-4.100)	12.32	99
18+20+22+22+60	1.72	1.14	1.72	1.72	4.11	10.40 (4.10-13.80)	2.795 (0.800-4.090)	12.27	99
18+20+22+22+71	1.72	1.14	1.72	1.72	4.11	10.40 (4.10-13.80)	2.785 (0.800-4.080)	12.23	99
18+20+22+25+25	2.15	1.43	2.15	2.34	2.34	10.40 (4.10-13.80)	2.805 (0.800-4.100)	12.32	99

# MXZ-5D102VA HEATING

Indoor units combination	Heating capacity (kW)						Outdoor unit power consumption(kW)	Current (A)	Power factor(%)
	Unit A	Unit B	Unit C	Unit D	Unit E	Total			
18+20+22+25+35	2.09	1.40	2.09	2.28	2.54	10.40 (4.10-13.80)	2.805 (0.800-4.100)	12.32	99
18+20+22+25+42	1.93	1.29	1.93	2.10	3.16	10.40 (4.10-13.80)	2.805 (0.800-4.100)	12.32	99
18+20+22+25+50	1.75	1.17	1.75	1.91	3.82	10.40 (4.10-13.80)	2.805 (0.800-4.100)	12.32	99
18+20+22+25+60	1.69	1.13	1.69	1.84	4.05	10.40 (4.10-13.80)	2.795 (0.800-4.090)	12.27	99
18+20+22+25+71	1.69	1.13	1.69	1.84	4.05	10.40 (4.10-13.80)	2.785 (0.800-4.080)	12.23	99
18+20+22+35+35	2.04	1.36	2.04	2.48	2.48	10.40 (4.10-13.80)	2.805 (0.800-4.100)	12.32	99
18+20+22+35+42	1.89	1.26	1.89	2.29	3.09	10.40 (4.10-13.80)	2.805 (0.800-4.100)	12.32	99
18+20+22+35+50	1.72	1.14	1.72	2.08	3.74	10.40 (4.10-13.80)	2.805 (0.800-4.100)	12.32	99
18+20+22+35+60	1.66	1.11	1.66	2.01	3.97	10.40 (4.10-13.80)	2.795 (0.800-4.090)	12.27	99
18+20+22+35+71	1.66	1.11	1.66	2.01	3.97	10.40 (4.10-13.80)	2.785 (0.800-4.080)	12.23	99
18+20+22+42+42	1.75	1.17	1.75	2.87	2.87	10.40 (4.10-13.80)	2.805 (0.800-4.100)	12.32	99
18+20+22+42+50	1.60	1.07	1.60	2.62	3.50	10.40 (4.10-13.80)	2.805 (0.800-4.100)	12.32	99
18+20+22+42+60	1.55	1.04	1.55	2.54	3.72	10.40 (4.10-13.80)	2.795 (0.800-4.090)	12.27	99
18+20+22+50+50	1.48	0.99	1.48	3.23	3.23	10.40 (4.10-13.80)	2.805 (0.800-4.100)	12.32	99
18+20+22+50+60	1.44	0.96	1.44	3.13	3.44	10.40 (4.10-13.80)	2.795 (0.800-4.090)	12.27	99
18+20+25+25+25	2.11	1.40	2.30	2.30	2.30	10.40 (4.10-13.80)	2.805 (0.800-4.100)	12.32	99
18+20+25+25+35	2.06	1.37	2.24	2.24	2.49	10.40 (4.10-13.80)	2.805 (0.800-4.100)	12.32	99
18+20+25+25+42	1.90	1.26	2.07	2.07	3.10	10.40 (4.10-13.80)	2.805 (0.800-4.100)	12.32	99
18+20+25+25+50	1.72	1.15	1.88	1.88	3.76	10.40 (4.10-13.80)	2.805 (0.800-4.100)	12.32	99
18+20+25+25+60	1.67	1.11	1.82	1.82	3.99	10.40 (4.10-13.80)	2.795 (0.800-4.090)	12.27	99
18+20+25+25+71	1.67	1.11	1.82	1.82	3.99	10.40 (4.10-13.80)	2.785 (0.800-4.080)	12.23	99
18+20+25+35+35	2.01	1.34	2.19	2.43	2.43	10.40 (4.10-13.80)	2.805 (0.800-4.100)	12.32	99
18+20+25+35+42	1.86	1.24	2.02	2.25	3.04	10.40 (4.10-13.80)	2.805 (0.800-4.100)	12.32	99
18+20+25+35+50	1.69	1.13	1.84	2.05	3.69	10.40 (4.10-13.80)	2.805 (0.800-4.100)	12.32	99
18+20+25+35+60	1.63	1.09	1.78	1.98	3.91	10.40 (4.10-13.80)	2.795 (0.800-4.090)	12.27	99
18+20+25+35+71	1.63	1.09	1.78	1.98	3.91	10.40 (4.10-13.80)	2.785 (0.800-4.080)	12.23	99
18+20+25+42+42	1.72	1.15	1.88	2.82	2.82	10.40 (4.10-13.80)	2.805 (0.800-4.100)	12.32	99
18+20+25+42+50	1.58	1.05	1.73	2.59	3.45	10.40 (4.10-13.80)	2.805 (0.800-4.100)	12.32	99
18+20+25+42+60	1.53	1.02	1.67	2.51	3.67	10.40 (4.10-13.80)	2.795 (0.800-4.090)	12.27	99
18+20+25+50+50	1.46	0.97	1.59	3.19	3.19	10.40 (4.10-13.80)	2.805 (0.800-4.100)	12.32	99
18+20+35+35+35	1.96	1.31	2.38	2.38	2.38	10.40 (4.10-13.80)	2.805 (0.800-4.100)	12.32	99
18+20+35+35+42	1.82	1.21	2.20	2.20	2.97	10.40 (4.10-13.80)	2.805 (0.800-4.100)	12.32	99
18+20+35+35+50	1.66	1.11	2.01	2.01	3.62	10.40 (4.10-13.80)	2.805 (0.800-4.100)	12.32	99
18+20+35+35+60	1.60	1.07	1.94	1.94	3.84	10.40 (4.10-13.80)	2.795 (0.800-4.090)	12.27	99
18+20+35+42+42	1.69	1.13	2.05	2.77	2.77	10.40 (4.10-13.80)	2.805 (0.800-4.100)	12.32	99
18+20+35+42+50	1.55	1.04	1.88	2.54	3.39	10.40 (4.10-13.80)	2.805 (0.800-4.100)	12.32	99
18+20+42+42+42	1.58	1.05	2.59	2.59	2.59	10.40 (4.10-13.80)	2.805 (0.800-4.100)	12.32	99
18+20+42+42+50	1.46	0.97	2.39	2.39	3.19	10.40 (4.10-13.80)	2.805 (0.800-4.100)	12.32	99
18+22+22+22+22	2.10	2.10	2.10	2.10	2.10	10.50 (4.10-14.00)	2.765 (0.780-4.100)	12.14	99
18+22+22+22+25	2.06	2.06	2.06	2.06	2.25	10.50 (4.10-14.00)	2.765 (0.780-4.100)	12.14	99
18+22+22+22+35	2.01	2.01	2.01	2.01	2.44	10.50 (4.10-14.00)	2.765 (0.780-4.100)	12.14	99

# MXZ-5D102VA HEATING

Indoor units combination	Heating capacity (kW)						Outdoor unit power consumption(kW)	Current (A)	Power factor(%)
	Unit A	Unit B	Unit C	Unit D	Unit E	Total			
18+22+22+22+42	1.86	1.86	1.86	1.86	3.05	10.50 (4.10-14.00)	2.765 (0.780-4.100)	12.14	99
18+22+22+22+50	1.70	1.70	1.70	1.70	3.71	10.50 (4.10-14.00)	2.765 (0.780-4.100)	12.14	99
18+22+22+22+60	1.64	1.64	1.64	1.64	3.93	10.50 (4.10-14.00)	2.755 (0.780-4.090)	12.10	99
18+22+22+22+71	1.64	1.64	1.64	1.64	3.93	10.50 (4.10-14.00)	2.745 (0.780-4.080)	12.06	99
18+22+22+25+25	2.03	2.03	2.03	2.21	2.21	10.50 (4.10-14.00)	2.765 (0.780-4.100)	12.14	99
18+22+22+25+35	1.98	1.98	1.98	2.16	2.40	10.50 (4.10-14.00)	2.765 (0.780-4.100)	12.14	99
18+22+22+25+42	1.83	1.83	1.83	2.00	3.00	10.50 (4.10-14.00)	2.765 (0.780-4.100)	12.14	99
18+22+22+25+50	1.67	1.67	1.67	1.83	3.65	10.50 (4.10-14.00)	2.765 (0.780-4.100)	12.14	99
18+22+22+25+60	1.62	1.62	1.62	1.77	3.88	10.50 (4.10-14.00)	2.755 (0.780-4.090)	12.10	99
18+22+22+25+71	1.62	1.62	1.62	1.77	3.88	10.50 (4.10-14.00)	2.745 (0.780-4.080)	12.06	99
18+22+22+35+35	1.94	1.94	1.94	2.35	2.35	10.50 (4.10-14.00)	2.765 (0.780-4.100)	12.14	99
18+22+22+35+42	1.80	1.80	1.80	2.18	2.94	10.50 (4.10-14.00)	2.765 (0.780-4.100)	12.14	99
18+22+22+35+50	1.64	1.64	1.64	1.99	3.58	10.50 (4.10-14.00)	2.765 (0.780-4.100)	12.14	99
18+22+22+35+60	1.59	1.59	1.59	1.93	3.81	10.50 (4.10-14.00)	2.755 (0.780-4.090)	12.10	99
18+22+22+35+71	1.59	1.59	1.59	1.93	3.81	10.50 (4.10-14.00)	2.745 (0.780-4.080)	12.06	99
18+22+22+42+42	1.67	1.67	1.67	2.74	2.74	10.50 (4.10-14.00)	2.765 (0.780-4.100)	12.14	99
18+22+22+42+50	1.54	1.54	1.54	2.52	3.36	10.50 (4.10-14.00)	2.765 (0.780-4.100)	12.14	99
18+22+22+42+60	1.49	1.49	1.49	2.44	3.58	10.50 (4.10-14.00)	2.755 (0.780-4.090)	12.10	99
18+22+22+50+50	1.43	1.43	1.43	3.11	3.11	10.50 (4.10-14.00)	2.765 (0.780-4.100)	12.14	99
18+22+22+50+60	1.39	1.39	1.39	3.02	3.32	10.50 (4.10-14.00)	2.755 (0.780-4.090)	12.10	99
18+22+25+25+25	1.99	1.99	2.17	2.17	2.17	10.50 (4.10-14.00)	2.765 (0.780-4.100)	12.14	99
18+22+25+25+35	1.95	1.95	2.12	2.12	2.36	10.50 (4.10-14.00)	2.765 (0.780-4.100)	12.14	99
18+22+25+25+42	1.80	1.80	1.97	1.97	2.95	10.50 (4.10-14.00)	2.765 (0.780-4.100)	12.14	99
18+22+25+25+50	1.65	1.65	1.80	1.80	3.60	10.50 (4.10-14.00)	2.765 (0.780-4.100)	12.14	99
18+22+25+25+60	1.60	1.60	1.74	1.74	3.82	10.50 (4.10-14.00)	2.755 (0.780-4.090)	12.10	99
18+22+25+25+71	1.60	1.60	1.74	1.74	3.82	10.50 (4.10-14.00)	2.745 (0.780-4.080)	12.06	99
18+22+25+35+35	1.90	1.90	2.08	2.31	2.31	10.50 (4.10-14.00)	2.765 (0.780-4.100)	12.14	99
18+22+25+35+42	1.77	1.77	1.93	2.14	2.89	10.50 (4.10-14.00)	2.765 (0.780-4.100)	12.14	99
18+22+25+35+50	1.62	1.62	1.77	1.96	3.53	10.50 (4.10-14.00)	2.765 (0.780-4.100)	12.14	99
18+22+25+35+60	1.57	1.57	1.71	1.90	3.75	10.50 (4.10-14.00)	2.755 (0.780-4.090)	12.10	99
18+22+25+35+71	1.57	1.57	1.71	1.90	3.75	10.50 (4.10-14.00)	2.745 (0.780-4.080)	12.06	99
18+22+25+42+42	1.65	1.65	1.80	2.70	2.70	10.50 (4.10-14.00)	2.765 (0.780-4.100)	12.14	99
18+22+25+42+50	1.52	1.52	1.66	2.49	3.32	10.50 (4.10-14.00)	2.765 (0.780-4.100)	12.14	99
18+22+25+42+60	1.47	1.47	1.61	2.41	3.53	10.50 (4.10-14.00)	2.755 (0.780-4.090)	12.10	99
18+22+25+50+50	1.41	1.41	1.54	3.07	3.07	10.50 (4.10-14.00)	2.765 (0.780-4.100)	12.14	99
18+22+35+35+35	1.86	1.86	2.26	2.26	2.26	10.50 (4.10-14.00)	2.765 (0.780-4.100)	12.14	99
18+22+35+35+42	1.73	1.73	2.10	2.10	2.84	10.50 (4.10-14.00)	2.765 (0.780-4.100)	12.14	99
18+22+35+35+50	1.59	1.59	1.93	1.93	3.47	10.50 (4.10-14.00)	2.765 (0.780-4.100)	12.14	99
18+22+35+35+60	1.54	1.54	1.87	1.87	3.69	10.50 (4.10-14.00)	2.755 (0.780-4.090)	12.10	99
18+22+35+42+42	1.62	1.62	1.96	2.65	2.65	10.50 (4.10-14.00)	2.765 (0.780-4.100)	12.14	99
18+22+35+42+50	1.49	1.49	1.81	2.44	3.26	10.50 (4.10-14.00)	2.765 (0.780-4.100)	12.14	99

# MXZ-5D102VA HEATING

Indoor units combination	Heating capacity (kW)						Outdoor unit power consumption(kW)	Current (A)	Power factor(%)
	Unit A	Unit B	Unit C	Unit D	Unit E	Total			
18+22+42+42+42	1.52	1.52	2.49	2.49	2.49	10.50 (4.10-14.00)	2.765 (0.780-4.100)	12.14	99
18+25+25+25+25	1.96	2.14	2.14	2.14	2.14	10.50 (4.10-14.00)	2.765 (0.780-4.100)	12.14	99
18+25+25+25+35	1.91	2.09	2.09	2.09	2.32	10.50 (4.10-14.00)	2.765 (0.780-4.100)	12.14	99
18+25+25+25+42	1.78	1.94	1.94	1.94	2.91	10.50 (4.10-14.00)	2.765 (0.780-4.100)	12.14	99
18+25+25+25+50	1.63	1.77	1.77	1.77	3.55	10.50 (4.10-14.00)	2.765 (0.780-4.100)	12.14	99
18+25+25+25+60	1.58	1.72	1.72	1.72	3.77	10.50 (4.10-14.00)	2.755 (0.780-4.090)	12.10	99
18+25+25+25+71	1.58	1.72	1.72	1.72	3.77	10.50 (4.10-14.00)	2.745 (0.780-4.080)	12.06	99
18+25+25+35+35	1.87	2.04	2.04	2.27	2.27	10.50 (4.10-14.00)	2.765 (0.780-4.100)	12.14	99
18+25+25+35+42	1.74	1.90	1.90	2.11	2.85	10.50 (4.10-14.00)	2.765 (0.780-4.100)	12.14	99
18+25+25+35+50	1.60	1.74	1.74	1.94	3.48	10.50 (4.10-14.00)	2.765 (0.780-4.100)	12.14	99
18+25+25+35+60	1.55	1.69	1.69	1.88	3.70	10.50 (4.10-14.00)	2.755 (0.780-4.090)	12.10	99
18+25+25+42+42	1.63	1.77	1.77	2.66	2.66	10.50 (4.10-14.00)	2.765 (0.780-4.100)	12.14	99
18+25+25+42+50	1.50	1.64	1.64	2.45	3.27	10.50 (4.10-14.00)	2.765 (0.780-4.100)	12.14	99
18+25+25+42+60	1.46	1.59	1.59	2.38	3.49	10.50 (4.10-14.00)	2.755 (0.780-4.090)	12.10	99
18+25+25+50+50	1.39	1.52	1.52	3.04	3.04	10.50 (4.10-14.00)	2.765 (0.780-4.100)	12.14	99
18+25+35+35+35	1.83	2.00	2.22	2.22	2.22	10.50 (4.10-14.00)	2.765 (0.780-4.100)	12.14	99
18+25+35+35+42	1.71	1.86	2.07	2.07	2.79	10.50 (4.10-14.00)	2.765 (0.780-4.100)	12.14	99
18+25+35+35+50	1.57	1.71	1.90	1.90	3.42	10.50 (4.10-14.00)	2.765 (0.780-4.100)	12.14	99
18+25+35+42+42	1.60	1.74	1.94	2.61	2.61	10.50 (4.10-14.00)	2.765 (0.780-4.100)	12.14	99
18+25+35+42+50	1.47	1.61	1.79	2.41	3.22	10.50 (4.10-14.00)	2.765 (0.780-4.100)	12.14	99
18+25+42+42+42	1.50	1.64	2.45	2.45	2.45	10.50 (4.10-14.00)	2.765 (0.780-4.100)	12.14	99
18+35+35+35+35	1.80	2.18	2.18	2.18	2.18	10.50 (4.10-14.00)	2.765 (0.780-4.100)	12.14	99
18+35+35+35+42	1.67	2.03	2.03	2.03	2.74	10.50 (4.10-14.00)	2.765 (0.780-4.100)	12.14	99
18+35+35+42+42	1.57	1.90	1.90	2.57	2.57	10.50 (4.10-14.00)	2.765 (0.780-4.100)	12.14	99
20+20+20+20+20	2.00	2.00	2.00	2.00	2.00	10.00 (4.10-13.00)	2.965 (0.880-4.100)	13.02	99
20+20+20+20+25	1.79	1.79	1.79	1.79	2.93	10.10 (4.10-13.20)	2.925 (0.860-4.100)	12.85	99
20+20+20+20+35	1.74	1.74	1.74	1.74	3.16	10.10 (4.10-13.20)	2.925 (0.860-4.100)	12.85	99
20+20+20+20+42	1.56	1.56	1.56	1.56	3.84	10.10 (4.10-13.20)	2.925 (0.860-4.100)	12.85	99
20+20+20+20+50	1.39	1.39	1.39	1.39	4.55	10.10 (4.10-13.20)	2.925 (0.860-4.100)	12.85	99
20+20+20+20+60	1.33	1.33	1.33	1.33	4.78	10.10 (4.10-13.20)	2.915 (0.860-4.090)	12.80	99
20+20+20+20+71	1.33	1.33	1.33	1.33	4.78	10.10 (4.10-13.20)	2.905 (0.860-4.080)	12.76	99
20+20+20+22+22	1.70	1.70	1.70	2.55	2.55	10.20 (4.10-13.40)	2.885 (0.840-4.100)	12.67	99
20+20+20+22+25	1.66	1.66	1.66	2.49	2.72	10.20 (4.10-13.40)	2.885 (0.840-4.100)	12.67	99
20+20+20+22+35	1.61	1.61	1.61	2.42	2.94	10.20 (4.10-13.40)	2.885 (0.840-4.100)	12.67	99
20+20+20+22+42	1.47	1.47	1.47	2.20	3.60	10.20 (4.10-13.40)	2.885 (0.840-4.100)	12.67	99
20+20+20+22+50	1.31	1.31	1.31	1.97	4.29	10.20 (4.10-13.40)	2.885 (0.840-4.100)	12.67	99
20+20+20+22+60	1.26	1.26	1.26	1.89	4.53	10.20 (4.10-13.40)	2.875 (0.840-4.090)	12.63	99
20+20+20+22+71	1.26	1.26	1.26	1.89	4.53	10.20 (4.10-13.40)	2.865 (0.840-4.080)	12.58	99
20+20+20+25+25	1.63	1.63	1.63	2.66	2.66	10.20 (4.10-13.40)	2.885 (0.840-4.100)	12.67	99
20+20+20+25+35	1.58	1.58	1.58	2.59	2.87	10.20 (4.10-13.40)	2.885 (0.840-4.100)	12.67	99
20+20+20+25+42	1.44	1.44	1.44	2.35	3.53	10.20 (4.10-13.40)	2.885 (0.840-4.100)	12.67	99

# MXZ-5D102VA HEATING

Indoor units combination	Heating capacity (kW)						Outdoor unit power consumption(kW)	Current (A)	Power factor(%)
	Unit A	Unit B	Unit C	Unit D	Unit E	Total			
20+20+20+25+50	1.29	1.29	1.29	2.11	4.22	10.20 (4.10-13.40)	2.885 (0.840-4.100)	12.67	99
20+20+20+25+60	1.24	1.24	1.24	2.03	4.45	10.20 (4.10-13.40)	2.875 (0.840-4.090)	12.63	99
20+20+20+25+71	1.24	1.24	1.24	2.03	4.45	10.20 (4.10-13.40)	2.865 (0.840-4.080)	12.58	99
20+20+20+35+35	1.54	1.54	1.54	2.79	2.79	10.20 (4.10-13.40)	2.885 (0.840-4.100)	12.67	99
20+20+20+35+42	1.40	1.40	1.40	2.55	3.44	10.20 (4.10-13.40)	2.885 (0.840-4.100)	12.67	99
20+20+20+35+50	1.26	1.26	1.26	2.29	4.13	10.20 (4.10-13.40)	2.885 (0.840-4.100)	12.67	99
20+20+20+35+60	1.21	1.21	1.21	2.21	4.36	10.20 (4.10-13.40)	2.875 (0.840-4.090)	12.63	99
20+20+20+35+71	1.21	1.21	1.21	2.21	4.36	10.20 (4.10-13.40)	2.865 (0.840-4.080)	12.58	99
20+20+20+42+42	1.29	1.29	1.29	3.17	3.17	10.20 (4.10-13.40)	2.885 (0.840-4.100)	12.67	99
20+20+20+42+50	1.17	1.17	1.17	2.87	3.83	10.20 (4.10-13.40)	2.885 (0.840-4.100)	12.67	99
20+20+20+42+60	1.13	1.13	1.13	2.77	4.05	10.20 (4.10-13.40)	2.875 (0.840-4.090)	12.63	99
20+20+20+50+50	1.07	1.07	1.07	3.50	3.50	10.20 (4.10-13.40)	2.885 (0.840-4.100)	12.67	99
20+20+20+50+60	1.03	1.03	1.03	3.38	3.71	10.20 (4.10-13.40)	2.875 (0.840-4.090)	12.63	99
20+20+22+22+22	1.58	1.58	2.38	2.38	2.38	10.30 (4.10-13.60)	2.845 (0.820-4.100)	12.49	99
20+20+22+22+25	1.55	1.55	2.33	2.33	2.54	10.30 (4.10-13.60)	2.845 (0.820-4.100)	12.49	99
20+20+22+22+35	1.51	1.51	2.27	2.27	2.75	10.30 (4.10-13.60)	2.845 (0.820-4.100)	12.49	99
20+20+22+22+42	1.38	1.38	2.07	2.07	3.39	10.30 (4.10-13.60)	2.845 (0.820-4.100)	12.49	99
20+20+22+22+50	1.25	1.25	1.87	1.87	4.07	10.30 (4.10-13.60)	2.845 (0.820-4.100)	12.49	99
20+20+22+22+60	1.20	1.20	1.80	1.80	4.31	10.30 (4.10-13.60)	2.835 (0.820-4.090)	12.45	99
20+20+22+22+71	1.20	1.20	1.80	1.80	4.31	10.30 (4.10-13.60)	2.825 (0.820-4.080)	12.41	99
20+20+22+25+25	1.52	1.52	2.28	2.49	2.49	10.30 (4.10-13.60)	2.845 (0.820-4.100)	12.49	99
20+20+22+25+35	1.48	1.48	2.22	2.42	2.69	10.30 (4.10-13.60)	2.845 (0.820-4.100)	12.49	99
20+20+22+25+42	1.36	1.36	2.04	2.22	3.33	10.30 (4.10-13.60)	2.845 (0.820-4.100)	12.49	99
20+20+22+25+50	1.22	1.22	1.84	2.00	4.01	10.30 (4.10-13.60)	2.845 (0.820-4.100)	12.49	99
20+20+22+25+60	1.18	1.18	1.77	1.93	4.24	10.30 (4.10-13.60)	2.835 (0.820-4.090)	12.45	99
20+20+22+25+71	1.18	1.18	1.77	1.93	4.24	10.30 (4.10-13.60)	2.825 (0.820-4.080)	12.41	99
20+20+22+35+35	1.44	1.44	2.16	2.62	2.62	10.30 (4.10-13.60)	2.845 (0.820-4.100)	12.49	99
20+20+22+35+42	1.33	1.33	1.99	2.41	3.25	10.30 (4.10-13.60)	2.845 (0.820-4.100)	12.49	99
20+20+22+35+50	1.20	1.20	1.80	2.18	3.92	10.30 (4.10-13.60)	2.845 (0.820-4.100)	12.49	99
20+20+22+35+60	1.16	1.16	1.73	2.10	4.15	10.30 (4.10-13.60)	2.835 (0.820-4.090)	12.45	99
20+20+22+35+71	1.16	1.16	1.73	2.10	4.15	10.30 (4.10-13.60)	2.825 (0.820-4.080)	12.41	99
20+20+22+42+42	1.22	1.22	1.84	3.01	3.01	10.30 (4.10-13.60)	2.845 (0.820-4.100)	12.49	99
20+20+22+42+50	1.12	1.12	1.67	2.74	3.65	10.30 (4.10-13.60)	2.845 (0.820-4.100)	12.49	99
20+20+22+42+60	1.08	1.08	1.62	2.65	3.87	10.30 (4.10-13.60)	2.835 (0.820-4.090)	12.45	99
20+20+22+50+50	1.03	1.03	1.54	3.36	3.36	10.30 (4.10-13.60)	2.845 (0.820-4.100)	12.49	99
20+20+22+50+60	0.99	0.99	1.49	3.25	3.57	10.30 (4.10-13.60)	2.835 (0.820-4.090)	12.45	99
20+20+25+25+25	1.49	1.49	2.44	2.44	2.44	10.30 (4.10-13.60)	2.845 (0.820-4.100)	12.49	99
20+20+25+25+35	1.45	1.45	2.38	2.38	2.64	10.30 (4.10-13.60)	2.845 (0.820-4.100)	12.49	99
20+20+25+25+42	1.33	1.33	2.18	2.18	3.27	10.30 (4.10-13.60)	2.845 (0.820-4.100)	12.49	99
20+20+25+25+50	1.21	1.21	1.97	1.97	3.94	10.30 (4.10-13.60)	2.845 (0.820-4.100)	12.49	99
20+20+25+25+60	1.16	1.16	1.90	1.90	4.17	10.30 (4.10-13.60)	2.835 (0.820-4.090)	12.45	99

# MXZ-5D102VA HEATING

Indoor units combination	Heating capacity (kW)						Outdoor unit power consumption(kW)	Current (A)	Power factor(%)
	Unit A	Unit B	Unit C	Unit D	Unit E	Total			
20+20+25+25+71	1.16	1.16	1.90	1.90	4.17	10.30 (4.10-13.60)	2.825 (0.820-4.080)	12.41	99
20+20+25+35+35	1.42	1.42	2.32	2.58	2.58	10.30 (4.10-13.60)	2.845 (0.820-4.100)	12.49	99
20+20+25+35+42	1.30	1.30	2.13	2.37	3.20	10.30 (4.10-13.60)	2.845 (0.820-4.100)	12.49	99
20+20+25+35+50	1.18	1.18	1.93	2.15	3.86	10.30 (4.10-13.60)	2.845 (0.820-4.100)	12.49	99
20+20+25+35+60	1.14	1.14	1.86	2.07	4.09	10.30 (4.10-13.60)	2.835 (0.820-4.090)	12.45	99
20+20+25+35+71	1.14	1.14	1.86	2.07	4.09	10.30 (4.10-13.60)	2.825 (0.820-4.080)	12.41	99
20+20+25+42+42	1.21	1.21	1.97	2.96	2.96	10.30 (4.10-13.60)	2.845 (0.820-4.100)	12.49	99
20+20+25+42+50	1.10	1.10	1.80	2.70	3.60	10.30 (4.10-13.60)	2.845 (0.820-4.100)	12.49	99
20+20+25+42+60	1.06	1.06	1.74	2.61	3.82	10.30 (4.10-13.60)	2.835 (0.820-4.090)	12.45	99
20+20+25+50+50	1.01	1.01	1.66	3.31	3.31	10.30 (4.10-13.60)	2.845 (0.820-4.100)	12.49	99
20+20+35+35+35	1.38	1.38	2.51	2.51	2.51	10.30 (4.10-13.60)	2.845 (0.820-4.100)	12.49	99
20+20+35+35+42	1.27	1.27	2.31	2.31	3.12	10.30 (4.10-13.60)	2.845 (0.820-4.100)	12.49	99
20+20+35+35+50	1.16	1.16	2.10	2.10	3.78	10.30 (4.10-13.60)	2.845 (0.820-4.100)	12.49	99
20+20+35+35+60	1.12	1.12	2.03	2.03	4.01	10.30 (4.10-13.60)	2.835 (0.820-4.090)	12.45	99
20+20+35+42+42	1.18	1.18	2.15	2.90	2.90	10.30 (4.10-13.60)	2.845 (0.820-4.100)	12.49	99
20+20+35+42+50	1.08	1.08	1.96	2.65	3.53	10.30 (4.10-13.60)	2.845 (0.820-4.100)	12.49	99
20+20+42+42+42	1.10	1.10	2.70	2.70	2.70	10.30 (4.10-13.60)	2.845 (0.820-4.100)	12.49	99
20+22+22+22+22	1.49	2.23	2.23	2.23	2.23	10.40 (4.10-13.80)	2.805 (0.800-4.100)	12.32	99
20+22+22+22+25	1.46	2.19	2.19	2.19	2.38	10.40 (4.10-13.80)	2.805 (0.800-4.100)	12.32	99
20+22+22+22+35	1.42	2.13	2.13	2.13	2.58	10.40 (4.10-13.80)	2.805 (0.800-4.100)	12.32	99
20+22+22+22+42	1.31	1.96	1.96	1.96	3.21	10.40 (4.10-13.80)	2.805 (0.800-4.100)	12.32	99
20+22+22+22+50	1.19	1.78	1.78	1.78	3.88	10.40 (4.10-13.80)	2.805 (0.800-4.100)	12.32	99
20+22+22+22+60	1.14	1.72	1.72	1.72	4.11	10.40 (4.10-13.80)	2.795 (0.800-4.090)	12.27	99
20+22+22+22+71	1.14	1.72	1.72	1.72	4.11	10.40 (4.10-13.80)	2.785 (0.800-4.080)	12.23	99
20+22+22+25+25	1.43	2.15	2.15	2.34	2.34	10.40 (4.10-13.80)	2.805 (0.800-4.100)	12.32	99
20+22+22+25+35	1.40	2.09	2.09	2.28	2.54	10.40 (4.10-13.80)	2.805 (0.800-4.100)	12.32	99
20+22+22+25+42	1.29	1.93	1.93	2.10	3.16	10.40 (4.10-13.80)	2.805 (0.800-4.100)	12.32	99
20+22+22+25+50	1.17	1.75	1.75	1.91	3.82	10.40 (4.10-13.80)	2.805 (0.800-4.100)	12.32	99
20+22+22+25+60	1.13	1.69	1.69	1.84	4.05	10.40 (4.10-13.80)	2.795 (0.800-4.090)	12.27	99
20+22+22+25+71	1.13	1.69	1.69	1.84	4.05	10.40 (4.10-13.80)	2.785 (0.800-4.080)	12.23	99
20+22+22+35+35	1.36	2.04	2.04	2.48	2.48	10.40 (4.10-13.80)	2.805 (0.800-4.100)	12.32	99
20+22+22+35+42	1.26	1.89	1.89	2.29	3.09	10.40 (4.10-13.80)	2.805 (0.800-4.100)	12.32	99
20+22+22+35+50	1.14	1.72	1.72	2.08	3.74	10.40 (4.10-13.80)	2.805 (0.800-4.100)	12.32	99
20+22+22+35+60	1.11	1.66	1.66	2.01	3.97	10.40 (4.10-13.80)	2.795 (0.800-4.090)	12.27	99
20+22+22+35+71	1.11	1.66	1.66	2.01	3.97	10.40 (4.10-13.80)	2.785 (0.800-4.080)	12.23	99
20+22+22+42+42	1.17	1.75	1.75	2.87	2.87	10.40 (4.10-13.80)	2.805 (0.800-4.100)	12.32	99
20+22+22+42+50	1.07	1.60	1.60	2.62	3.50	10.40 (4.10-13.80)	2.805 (0.800-4.100)	12.32	99
20+22+22+42+60	1.04	1.55	1.55	2.54	3.72	10.40 (4.10-13.80)	2.795 (0.800-4.090)	12.27	99
20+22+22+50+50	0.99	1.48	1.48	3.23	3.23	10.40 (4.10-13.80)	2.805 (0.800-4.100)	12.32	99
20+22+25+25+25	1.40	2.11	2.30	2.30	2.30	10.40 (4.10-13.80)	2.805 (0.800-4.100)	12.32	99
20+22+25+25+35	1.37	2.06	2.24	2.24	2.49	10.40 (4.10-13.80)	2.805 (0.800-4.100)	12.32	99

# MXZ-5D102VA HEATING

Indoor units combination	Heating capacity (kW)						Outdoor unit power consumption(kW)	Current (A)	Power factor(%)
	Unit A	Unit B	Unit C	Unit D	Unit E	Total			
20+22+25+25+42	1.26	1.90	2.07	2.07	3.10	10.40 (4.10-13.80)	2.805 (0.800-4.100)	12.32	99
20+22+25+25+50	1.15	1.72	1.88	1.88	3.76	10.40 (4.10-13.80)	2.805 (0.800-4.100)	12.32	99
20+22+25+25+60	1.11	1.67	1.82	1.82	3.99	10.40 (4.10-13.80)	2.795 (0.800-4.090)	12.27	99
20+22+25+25+71	1.11	1.67	1.82	1.82	3.99	10.40 (4.10-13.80)	2.785 (0.800-4.080)	12.23	99
20+22+25+35+35	1.34	2.01	2.19	2.43	2.43	10.40 (4.10-13.80)	2.805 (0.800-4.100)	12.32	99
20+22+25+35+42	1.24	1.86	2.02	2.25	3.04	10.40 (4.10-13.80)	2.805 (0.800-4.100)	12.32	99
20+22+25+35+50	1.13	1.69	1.84	2.05	3.69	10.40 (4.10-13.80)	2.805 (0.800-4.100)	12.32	99
20+22+25+35+60	1.09	1.63	1.78	1.98	3.91	10.40 (4.10-13.80)	2.795 (0.800-4.090)	12.27	99
20+22+25+42+42	1.15	1.72	1.88	2.82	2.82	10.40 (4.10-13.80)	2.805 (0.800-4.100)	12.32	99
20+22+25+42+50	1.05	1.58	1.73	2.59	3.45	10.40 (4.10-13.80)	2.805 (0.800-4.100)	12.32	99
20+22+25+42+60	1.02	1.53	1.67	2.51	3.67	10.40 (4.10-13.80)	2.795 (0.800-4.090)	12.27	99
20+22+25+50+50	0.97	1.46	1.59	3.19	3.19	10.40 (4.10-13.80)	2.805 (0.800-4.100)	12.32	99
20+22+35+35+35	1.31	1.96	2.38	2.38	2.38	10.40 (4.10-13.80)	2.805 (0.800-4.100)	12.32	99
20+22+35+35+42	1.21	1.82	2.20	2.20	2.97	10.40 (4.10-13.80)	2.805 (0.800-4.100)	12.32	99
20+22+35+35+50	1.11	1.66	2.01	2.01	3.62	10.40 (4.10-13.80)	2.805 (0.800-4.100)	12.32	99
20+22+35+35+60	1.07	1.60	1.94	1.94	3.84	10.40 (4.10-13.80)	2.795 (0.800-4.090)	12.27	99
20+22+35+42+42	1.13	1.69	2.05	2.77	2.77	10.40 (4.10-13.80)	2.805 (0.800-4.100)	12.32	99
20+22+35+42+50	1.04	1.55	1.88	2.54	3.39	10.40 (4.10-13.80)	2.805 (0.800-4.100)	12.32	99
20+22+42+42+42	1.05	1.58	2.59	2.59	2.59	10.40 (4.10-13.80)	2.805 (0.800-4.100)	12.32	99
20+25+25+25+25	1.38	2.26	2.26	2.26	2.26	10.40 (4.10-13.80)	2.805 (0.800-4.100)	12.32	99
20+25+25+25+35	1.35	2.20	2.20	2.20	2.45	10.40 (4.10-13.80)	2.805 (0.800-4.100)	12.32	99
20+25+25+25+42	1.24	2.03	2.03	2.03	3.05	10.40 (4.10-13.80)	2.805 (0.800-4.100)	12.32	99
20+25+25+25+50	1.13	1.85	1.85	1.85	3.71	10.40 (4.10-13.80)	2.805 (0.800-4.100)	12.32	99
20+25+25+25+60	1.09	1.79	1.79	1.79	3.93	10.40 (4.10-13.80)	2.795 (0.800-4.090)	12.27	99
20+25+25+25+71	1.09	1.79	1.79	1.79	3.93	10.40 (4.10-13.80)	2.785 (0.800-4.080)	12.23	99
20+25+25+35+35	1.31	2.15	2.15	2.39	2.39	10.40 (4.10-13.80)	2.805 (0.800-4.100)	12.32	99
20+25+25+35+42	1.22	1.99	1.99	2.21	2.99	10.40 (4.10-13.80)	2.805 (0.800-4.100)	12.32	99
20+25+25+35+50	1.11	1.82	1.82	2.02	3.63	10.40 (4.10-13.80)	2.805 (0.800-4.100)	12.32	99
20+25+25+35+60	1.07	1.76	1.76	1.95	3.86	10.40 (4.10-13.80)	2.795 (0.800-4.090)	12.27	99
20+25+25+42+42	1.13	1.85	1.85	2.78	2.78	10.40 (4.10-13.80)	2.805 (0.800-4.100)	12.32	99
20+25+25+42+50	1.04	1.70	1.70	2.55	3.40	10.40 (4.10-13.80)	2.805 (0.800-4.100)	12.32	99
20+25+25+42+60	1.01	1.65	1.65	2.47	3.62	10.40 (4.10-13.80)	2.795 (0.800-4.090)	12.27	99
20+25+25+50+50	0.96	1.57	1.57	3.15	3.15	10.40 (4.10-13.80)	2.805 (0.800-4.100)	12.32	99
20+25+35+35+35	1.29	2.10	2.34	2.34	2.34	10.40 (4.10-13.80)	2.805 (0.800-4.100)	12.32	99
20+25+35+35+42	1.19	1.95	2.17	2.17	2.93	10.40 (4.10-13.80)	2.805 (0.800-4.100)	12.32	99
20+25+35+35+50	1.09	1.78	1.98	1.98	3.57	10.40 (4.10-13.80)	2.805 (0.800-4.100)	12.32	99
20+25+35+42+42	1.11	1.82	2.02	2.73	2.73	10.40 (4.10-13.80)	2.805 (0.800-4.100)	12.32	99
20+25+35+42+50	1.02	1.67	1.86	2.51	3.34	10.40 (4.10-13.80)	2.805 (0.800-4.100)	12.32	99
20+25+42+42+42	1.04	1.70	2.55	2.55	2.55	10.40 (4.10-13.80)	2.805 (0.800-4.100)	12.32	99
20+35+35+35+35	1.26	2.29	2.29	2.29	2.29	10.40 (4.10-13.80)	2.805 (0.800-4.100)	12.32	99
20+35+35+35+42	1.17	2.12	2.12	2.12	2.87	10.40 (4.10-13.80)	2.805 (0.800-4.100)	12.32	99



# MXZ-5D102VA HEATING

Indoor units combination	Heating capacity (kW)						Outdoor unit power consumption(kW)	Current (A)	Power factor(%)
	Unit A	Unit B	Unit C	Unit D	Unit E	Total			
22+22+22+22+22	2.10	2.10	2.10	2.10	2.10	10.50 (4.10-14.00)	2.765 (0.780-4.100)	12.14	99
22+22+22+22+25	2.06	2.06	2.06	2.06	2.25	10.50 (4.10-14.00)	2.765 (0.780-4.100)	12.14	99
22+22+22+22+35	2.01	2.01	2.01	2.01	2.44	10.50 (4.10-14.00)	2.765 (0.780-4.100)	12.14	99
22+22+22+22+42	1.86	1.86	1.86	1.86	3.05	10.50 (4.10-14.00)	2.765 (0.780-4.100)	12.14	99
22+22+22+22+50	1.70	1.70	1.70	1.70	3.71	10.50 (4.10-14.00)	2.765 (0.780-4.100)	12.14	99
22+22+22+22+60	1.64	1.64	1.64	1.64	3.93	10.50 (4.10-14.00)	2.755 (0.780-4.090)	12.10	99
22+22+22+22+71	1.64	1.64	1.64	1.64	3.93	10.50 (4.10-14.00)	2.745 (0.780-4.080)	12.06	99
22+22+22+25+25	2.03	2.03	2.03	2.21	2.21	10.50 (4.10-14.00)	2.765 (0.780-4.100)	12.14	99
22+22+22+25+35	1.98	1.98	1.98	2.16	2.40	10.50 (4.10-14.00)	2.765 (0.780-4.100)	12.14	99
22+22+22+25+42	1.83	1.83	1.83	2.00	3.00	10.50 (4.10-14.00)	2.765 (0.780-4.100)	12.14	99
22+22+22+25+50	1.67	1.67	1.67	1.83	3.65	10.50 (4.10-14.00)	2.765 (0.780-4.100)	12.14	99
22+22+22+25+60	1.62	1.62	1.62	1.77	3.88	10.50 (4.10-14.00)	2.755 (0.780-4.090)	12.10	99
22+22+22+25+71	1.62	1.62	1.62	1.77	3.88	10.50 (4.10-14.00)	2.745 (0.780-4.080)	12.06	99
22+22+22+35+35	1.94	1.94	1.94	2.35	2.35	10.50 (4.10-14.00)	2.765 (0.780-4.100)	12.14	99
22+22+22+35+42	1.80	1.80	1.80	2.18	2.94	10.50 (4.10-14.00)	2.765 (0.780-4.100)	12.14	99
22+22+22+35+50	1.64	1.64	1.64	1.99	3.58	10.50 (4.10-14.00)	2.765 (0.780-4.100)	12.14	99
22+22+22+35+60	1.59	1.59	1.59	1.93	3.81	10.50 (4.10-14.00)	2.755 (0.780-4.090)	12.10	99
22+22+22+35+71	1.59	1.59	1.59	1.93	3.81	10.50 (4.10-14.00)	2.745 (0.780-4.080)	12.06	99
22+22+22+42+42	1.67	1.67	1.67	2.74	2.74	10.50 (4.10-14.00)	2.765 (0.780-4.100)	12.14	99
22+22+22+42+50	1.54	1.54	1.54	2.52	3.36	10.50 (4.10-14.00)	2.765 (0.780-4.100)	12.14	99
22+22+22+42+60	1.49	1.49	1.49	2.44	3.58	10.50 (4.10-14.00)	2.755 (0.780-4.090)	12.10	99
22+22+22+50+50	1.43	1.43	1.43	3.11	3.11	10.50 (4.10-14.00)	2.765 (0.780-4.100)	12.14	99
22+22+25+25+25	1.99	1.99	2.17	2.17	2.17	10.50 (4.10-14.00)	2.765 (0.780-4.100)	12.14	99
22+22+25+25+35	1.95	1.95	2.12	2.12	2.36	10.50 (4.10-14.00)	2.765 (0.780-4.100)	12.14	99
22+22+25+25+42	1.80	1.80	1.97	1.97	2.95	10.50 (4.10-14.00)	2.765 (0.780-4.100)	12.14	99
22+22+25+25+50	1.65	1.65	1.80	1.80	3.60	10.50 (4.10-14.00)	2.765 (0.780-4.100)	12.14	99
22+22+25+25+60	1.60	1.60	1.74	1.74	3.82	10.50 (4.10-14.00)	2.755 (0.780-4.090)	12.10	99
22+22+25+25+71	1.60	1.60	1.74	1.74	3.82	10.50 (4.10-14.00)	2.745 (0.780-4.080)	12.06	99
22+22+25+35+35	1.90	1.90	2.08	2.31	2.31	10.50 (4.10-14.00)	2.765 (0.780-4.100)	12.14	99
22+22+25+35+42	1.77	1.77	1.93	2.14	2.89	10.50 (4.10-14.00)	2.765 (0.780-4.100)	12.14	99
22+22+25+35+50	1.62	1.62	1.77	1.96	3.53	10.50 (4.10-14.00)	2.765 (0.780-4.100)	12.14	99
22+22+25+35+60	1.57	1.57	1.71	1.90	3.75	10.50 (4.10-14.00)	2.755 (0.780-4.090)	12.10	99
22+22+25+42+42	1.65	1.65	1.80	2.70	2.70	10.50 (4.10-14.00)	2.765 (0.780-4.100)	12.14	99
22+22+25+42+50	1.52	1.52	1.66	2.49	3.32	10.50 (4.10-14.00)	2.765 (0.780-4.100)	12.14	99
22+22+25+42+60	1.47	1.47	1.61	2.41	3.53	10.50 (4.10-14.00)	2.755 (0.780-4.090)	12.10	99
22+22+25+50+50	1.41	1.41	1.54	3.07	3.07	10.50 (4.10-14.00)	2.765 (0.780-4.100)	12.14	99
22+22+35+35+35	1.86	1.86	2.26	2.26	2.26	10.50 (4.10-14.00)	2.765 (0.780-4.100)	12.14	99
22+22+35+35+42	1.73	1.73	2.10	2.10	2.84	10.50 (4.10-14.00)	2.765 (0.780-4.100)	12.14	99
22+22+35+35+50	1.59	1.59	1.93	1.93	3.47	10.50 (4.10-14.00)	2.765 (0.780-4.100)	12.14	99
22+22+35+42+42	1.62	1.62	1.96	2.65	2.65	10.50 (4.10-14.00)	2.765 (0.780-4.100)	12.14	99
22+22+35+42+50	1.49	1.49	1.81	2.44	3.26	10.50 (4.10-14.00)	2.765 (0.780-4.100)	12.14	99

# MXZ-5D102VA HEATING

Indoor units combination	Heating capacity (kW)						Outdoor unit power consumption(kW)	Current (A)	Power factor(%)
	Unit A	Unit B	Unit C	Unit D	Unit E	Total			
22+22+42+42+42	1.52	1.52	2.49	2.49	2.49	10.50 (4.10-14.00)	2.765 (0.780-4.100)	12.14	99
22+25+25+25+25	1.96	2.14	2.14	2.14	2.14	10.50 (4.10-14.00)	2.765 (0.780-4.100)	12.14	99
22+25+25+25+35	1.91	2.09	2.09	2.09	2.32	10.50 (4.10-14.00)	2.765 (0.780-4.100)	12.14	99
22+25+25+25+42	1.78	1.94	1.94	1.94	2.91	10.50 (4.10-14.00)	2.765 (0.780-4.100)	12.14	99
22+25+25+25+50	1.63	1.77	1.77	1.77	3.55	10.50 (4.10-14.00)	2.765 (0.780-4.100)	12.14	99
22+25+25+25+60	1.58	1.72	1.72	1.72	3.77	10.50 (4.10-14.00)	2.755 (0.780-4.090)	12.10	99
22+25+25+25+71	1.58	1.72	1.72	1.72	3.77	10.50 (4.10-14.00)	2.745 (0.780-4.080)	12.06	99
22+25+25+35+35	1.87	2.04	2.04	2.27	2.27	10.50 (4.10-14.00)	2.765 (0.780-4.100)	12.14	99
22+25+25+35+42	1.74	1.90	1.90	2.11	2.85	10.50 (4.10-14.00)	2.765 (0.780-4.100)	12.14	99
22+25+25+35+50	1.60	1.74	1.74	1.94	3.48	10.50 (4.10-14.00)	2.765 (0.780-4.100)	12.14	99
22+25+25+35+60	1.55	1.69	1.69	1.88	3.70	10.50 (4.10-14.00)	2.755 (0.780-4.090)	12.10	99
22+25+25+42+42	1.63	1.77	1.77	2.66	2.66	10.50 (4.10-14.00)	2.765 (0.780-4.100)	12.14	99
22+25+25+42+50	1.50	1.64	1.64	2.45	3.27	10.50 (4.10-14.00)	2.765 (0.780-4.100)	12.14	99
22+25+25+50+50	1.39	1.52	1.52	3.04	3.04	10.50 (4.10-14.00)	2.765 (0.780-4.100)	12.14	99
22+25+35+35+35	1.83	2.00	2.22	2.22	2.22	10.50 (4.10-14.00)	2.765 (0.780-4.100)	12.14	99
22+25+35+35+42	1.71	1.86	2.07	2.07	2.79	10.50 (4.10-14.00)	2.765 (0.780-4.100)	12.14	99
22+25+35+35+50	1.57	1.71	1.90	1.90	3.42	10.50 (4.10-14.00)	2.765 (0.780-4.100)	12.14	99
22+25+35+42+42	1.60	1.74	1.94	2.61	2.61	10.50 (4.10-14.00)	2.765 (0.780-4.100)	12.14	99
22+35+35+35+35	1.80	2.18	2.18	2.18	2.18	10.50 (4.10-14.00)	2.765 (0.780-4.100)	12.14	99
22+35+35+35+42	1.67	2.03	2.03	2.03	2.74	10.50 (4.10-14.00)	2.765 (0.780-4.100)	12.14	99
25+25+25+25+25	2.10	2.10	2.10	2.10	2.10	10.50 (4.10-14.00)	2.765 (0.780-4.100)	12.14	99
25+25+25+25+35	2.05	2.05	2.05	2.05	2.28	10.50 (4.10-14.00)	2.765 (0.780-4.100)	12.14	99
25+25+25+25+42	1.91	1.91	1.91	1.91	2.86	10.50 (4.10-14.00)	2.765 (0.780-4.100)	12.14	99
25+25+25+25+50	1.75	1.75	1.75	1.75	3.50	10.50 (4.10-14.00)	2.765 (0.780-4.100)	12.14	99
25+25+25+25+60	1.70	1.70	1.70	1.70	3.72	10.50 (4.10-14.00)	2.755 (0.780-4.090)	12.10	99
25+25+25+25+71	1.70	1.70	1.70	1.70	3.72	10.50 (4.10-14.00)	2.745 (0.780-4.080)	12.06	99
25+25+25+35+35	2.01	2.01	2.01	2.23	2.23	10.50 (4.10-14.00)	2.765 (0.780-4.100)	12.14	99
25+25+25+35+42	1.87	1.87	1.87	2.08	2.81	10.50 (4.10-14.00)	2.765 (0.780-4.100)	12.14	99
25+25+25+35+50	1.72	1.72	1.72	1.91	3.44	10.50 (4.10-14.00)	2.765 (0.780-4.100)	12.14	99
25+25+25+35+60	1.67	1.67	1.67	1.85	3.65	10.50 (4.10-14.00)	2.755 (0.780-4.090)	12.10	99
25+25+25+42+42	1.75	1.75	1.75	2.63	2.63	10.50 (4.10-14.00)	2.765 (0.780-4.100)	12.14	99
25+25+25+42+50	1.62	1.62	1.62	2.42	3.23	10.50 (4.10-14.00)	2.765 (0.780-4.100)	12.14	99
25+25+35+35+35	1.97	1.97	2.19	2.19	2.19	10.50 (4.10-14.00)	2.765 (0.780-4.100)	12.14	99
25+25+35+35+42	1.83	1.83	2.04	2.04	2.75	10.50 (4.10-14.00)	2.765 (0.780-4.100)	12.14	99
25+25+35+35+50	1.69	1.69	1.88	1.88	3.38	10.50 (4.10-14.00)	2.765 (0.780-4.100)	12.14	99
25+25+35+42+42	1.72	1.72	1.91	2.58	2.58	10.50 (4.10-14.00)	2.765 (0.780-4.100)	12.14	99
25+35+35+35+35	1.93	2.14	2.14	2.14	2.14	10.50 (4.10-14.00)	2.765 (0.780-4.100)	12.14	99
25+35+35+35+42	1.80	2.00	2.00	2.00	2.70	10.50 (4.10-14.00)	2.765 (0.780-4.100)	12.14	99

# MXZ-6D122VA COOLING

Indoor units combination	Cooling Capacity (kW)						Outdoor unit power consumption (kW)	Current (A)	Power factor (%)	
	Unit A	Unit B	Unit C	Unit D	Unit E	Unit F				Total
15	1.50	-	-	-	-	-	1.50 ( 1.50 - 2.10 )	1.01 ( 0.93 - 1.21 )	4.61	95
18	1.80	-	-	-	-	-	1.80 ( 1.70 - 3.00 )	0.93 ( 0.89 - 0.99 )	4.28	95
20	2.00	-	-	-	-	-	2.00 ( 1.90 - 2.80 )	1.03 ( 0.93 - 1.62 )	4.71	95
22	2.20	-	-	-	-	-	2.20 ( 2.10 - 3.00 )	0.93 ( 0.89 - 0.99 )	4.28	95
25	2.50	-	-	-	-	-	2.50 ( 2.30 - 3.30 )	0.93 ( 0.89 - 1.02 )	4.28	95
35	3.50	-	-	-	-	-	3.50 ( 2.70 - 4.30 )	1.08 ( 0.89 - 1.24 )	4.95	95
42	4.20	-	-	-	-	-	4.20 ( 2.70 - 5.00 )	1.29 ( 0.89 - 1.53 )	5.91	95
50	5.00	-	-	-	-	-	5.00 ( 2.80 - 5.60 )	1.51 ( 0.89 - 1.71 )	6.92	95
60	6.00	-	-	-	-	-	6.00 ( 2.90 - 7.50 )	1.93 ( 0.87 - 2.43 )	8.84	95
71	7.10	-	-	-	-	-	7.10 ( 2.90 - 8.70 )	2.43 ( 0.87 - 2.98 )	11.10	95
15+15	1.50	1.50	-	-	-	-	3.00 ( 2.70 - 4.20 )	0.96 ( 0.92 - 2.30 )	4.28	97
15+18	1.50	1.80	-	-	-	-	3.30 ( 2.70 - 5.10 )	1.07 ( 0.92 - 2.80 )	4.80	97
15+20	1.50	2.00	-	-	-	-	3.50 ( 2.70 - 4.90 )	1.04 ( 0.92 - 2.69 )	4.65	97
15+22	1.50	2.20	-	-	-	-	3.70 ( 2.70 - 5.10 )	1.07 ( 0.92 - 2.80 )	4.80	97
15+25	1.50	2.50	-	-	-	-	4.00 ( 2.70 - 5.50 )	1.12 ( 0.92 - 3.02 )	5.02	97
15+35	1.50	3.50	-	-	-	-	5.00 ( 2.90 - 6.50 )	1.42 ( 0.88 - 2.28 )	6.35	97
15+42	1.50	4.20	-	-	-	-	5.70 ( 2.90 - 7.20 )	1.71 ( 0.88 - 2.52 )	7.65	97
15+50	1.50	5.00	-	-	-	-	6.50 ( 3.00 - 7.90 )	1.94 ( 0.88 - 2.75 )	8.70	97
15+60	1.50	6.00	-	-	-	-	7.50 ( 3.00 - 8.70 )	2.76 ( 0.88 - 3.02 )	12.35	97
15+71	1.48	7.02	-	-	-	-	8.50 ( 3.00 - 9.30 )	2.95 ( 0.88 - 3.13 )	13.21	97
18+18	1.80	1.80	-	-	-	-	3.60 ( 2.90 - 5.90 )	1.19 ( 0.89 - 2.20 )	5.32	97
18+20	1.80	2.00	-	-	-	-	3.80 ( 2.80 - 5.70 )	1.15 ( 0.90 - 2.46 )	5.17	97
18+22	1.80	2.20	-	-	-	-	4.00 ( 2.70 - 5.50 )	1.12 ( 0.92 - 3.02 )	5.02	97
18+25	1.80	2.50	-	-	-	-	4.30 ( 2.90 - 6.20 )	1.30 ( 0.88 - 2.09 )	5.84	97
18+35	1.80	3.50	-	-	-	-	5.30 ( 2.90 - 7.20 )	1.71 ( 0.88 - 2.52 )	7.65	97
18+42	1.80	4.20	-	-	-	-	6.00 ( 3.00 - 7.50 )	1.74 ( 0.88 - 2.62 )	7.82	97
18+50	1.80	5.00	-	-	-	-	6.80 ( 3.00 - 8.50 )	2.48 ( 0.88 - 2.97 )	11.12	97
18+60	1.80	6.00	-	-	-	-	7.80 ( 3.00 - 9.10 )	2.95 ( 0.88 - 3.11 )	13.20	97
18+71	1.76	6.94	-	-	-	-	8.70 ( 3.00 - 9.40 )	2.95 ( 0.88 - 3.13 )	13.22	97
20+20	2.00	2.00	-	-	-	-	4.00 ( 2.70 - 5.50 )	1.12 ( 0.92 - 3.02 )	5.02	97
20+22	2.00	2.20	-	-	-	-	4.20 ( 2.80 - 5.70 )	1.15 ( 0.90 - 2.46 )	5.17	97
20+25	2.00	2.50	-	-	-	-	4.50 ( 2.90 - 6.00 )	1.23 ( 0.88 - 1.96 )	5.49	97
20+35	2.00	3.50	-	-	-	-	5.50 ( 2.90 - 7.00 )	1.62 ( 0.88 - 2.45 )	7.28	97
20+42	2.00	4.20	-	-	-	-	6.20 ( 3.00 - 7.60 )	1.82 ( 0.88 - 2.65 )	8.17	97
20+50	2.00	5.00	-	-	-	-	7.00 ( 3.00 - 8.40 )	2.30 ( 0.88 - 2.92 )	10.29	97
20+60	2.00	6.00	-	-	-	-	8.00 ( 3.00 - 9.00 )	2.94 ( 0.88 - 3.08 )	13.19	97

# MXZ-6D122VA COOLING

Indoor units combination	Cooling Capacity (kW)							Outdoor unit power consumption (kW)	Current (A)	Power factor (%)
	Unit A	Unit B	Unit C	Unit D	Unit E	Unit F	Total			
20+71	1.89	6.71	-	-	-	-	8.60 ( 3.00 - 9.30 )	2.95 ( 0.88 - 3.13 )	13.22	97
22+22	2.20	2.20	-	-	-	-	4.40 ( 2.90 - 5.90 )	1.19 ( 0.89 - 2.20 )	5.32	97
22+25	2.20	2.50	-	-	-	-	4.70 ( 2.90 - 6.20 )	1.30 ( 0.88 - 2.09 )	5.84	97
22+35	2.20	3.50	-	-	-	-	5.70 ( 2.90 - 7.20 )	1.71 ( 0.88 - 2.52 )	7.65	97
22+42	2.20	4.20	-	-	-	-	6.40 ( 3.00 - 7.80 )	1.90 ( 0.88 - 2.72 )	8.53	97
22+50	2.20	5.00	-	-	-	-	7.20 ( 3.00 - 8.50 )	2.48 ( 0.88 - 2.97 )	11.12	97
22+60	2.20	6.00	-	-	-	-	8.20 ( 3.00 - 9.10 )	2.95 ( 0.88 - 3.11 )	13.20	97
22+71	2.06	6.64	-	-	-	-	8.70 ( 3.00 - 9.40 )	2.95 ( 0.88 - 3.13 )	13.22	97
25+25	2.50	2.50	-	-	-	-	5.00 ( 2.90 - 6.50 )	1.42 ( 0.88 - 2.28 )	6.35	97
25+35	2.50	3.50	-	-	-	-	6.00 ( 3.00 - 7.50 )	1.74 ( 0.88 - 2.62 )	7.82	97
25+42	2.50	4.20	-	-	-	-	6.70 ( 3.00 - 8.10 )	2.02 ( 0.88 - 2.82 )	9.05	97
25+50	2.50	5.00	-	-	-	-	7.50 ( 3.00 - 8.70 )	2.76 ( 0.88 - 3.02 )	12.35	97
25+60	2.47	5.93	-	-	-	-	8.40 ( 3.00 - 9.20 )	2.95 ( 0.88 - 3.13 )	13.21	97
25+71	2.29	6.51	-	-	-	-	8.80 ( 3.00 - 9.40 )	2.96 ( 0.88 - 3.13 )	13.27	97
35+35	3.50	3.50	-	-	-	-	7.00 ( 3.00 - 8.40 )	2.30 ( 0.88 - 2.92 )	10.29	97
35+42	3.50	4.20	-	-	-	-	7.70 ( 3.00 - 8.80 )	2.94 ( 0.88 - 3.04 )	13.18	97
35+50	3.46	4.94	-	-	-	-	8.40 ( 3.00 - 9.20 )	2.95 ( 0.88 - 3.13 )	13.21	97
35+60	3.21	5.49	-	-	-	-	8.70 ( 3.00 - 9.40 )	2.95 ( 0.88 - 3.13 )	13.22	97
35+71	3.00	6.10	-	-	-	-	9.10 ( 3.00 - 9.70 )	2.99 ( 0.87 - 3.16 )	13.40	97
42+42	4.20	4.20	-	-	-	-	8.40 ( 3.00 - 9.20 )	2.95 ( 0.88 - 3.13 )	13.21	97
42+50	3.97	4.73	-	-	-	-	8.70 ( 3.00 - 9.40 )	2.95 ( 0.88 - 3.13 )	13.22	97
42+60	3.75	5.35	-	-	-	-	9.10 ( 3.00 - 9.70 )	2.99 ( 0.87 - 3.16 )	13.40	97
42+71	3.49	5.91	-	-	-	-	9.40 ( 3.10 - 10.00 )	3.02 ( 0.86 - 3.20 )	13.54	97
50+50	4.45	4.45	-	-	-	-	8.90 ( 3.00 - 9.50 )	2.97 ( 0.88 - 3.13 )	13.31	97
50+60	4.23	5.07	-	-	-	-	9.30 ( 3.10 - 9.90 )	3.01 ( 0.87 - 3.19 )	13.49	97
50+71	3.97	5.63	-	-	-	-	9.60 ( 3.10 - 10.20 )	3.04 ( 0.85 - 3.23 )	13.63	97
60+60	4.80	4.80	-	-	-	-	9.60 ( 3.10 - 10.20 )	3.04 ( 0.85 - 3.23 )	13.63	97
60+71	4.44	5.26	-	-	-	-	9.70 ( 3.10 - 10.30 )	3.05 ( 0.85 - 3.24 )	13.67	97
71+71	4.85	4.85	-	-	-	-	9.70 ( 3.10 - 10.30 )	3.05 ( 0.85 - 3.24 )	13.67	97
15+15+15	1.50	1.50	1.50	-	-	-	4.50 ( 3.10 - 6.00 )	1.09 ( 1.00 - 3.28 )	4.89	97
15+15+18	1.50	1.50	1.80	-	-	-	4.80 ( 3.10 - 7.10 )	1.15 ( 1.00 - 3.67 )	5.15	97
15+15+20	1.50	1.50	2.00	-	-	-	5.00 ( 3.10 - 6.80 )	1.19 ( 1.00 - 3.56 )	5.33	97
15+15+22	1.50	1.50	2.20	-	-	-	5.20 ( 3.10 - 7.10 )	1.23 ( 1.00 - 3.67 )	5.51	97
15+15+25	1.50	1.50	2.50	-	-	-	5.50 ( 3.20 - 7.50 )	1.29 ( 1.00 - 3.81 )	5.77	97
15+15+35	1.50	1.50	3.50	-	-	-	6.50 ( 3.40 - 8.50 )	1.48 ( 0.95 - 2.50 )	6.65	97
15+15+42	1.50	1.50	4.20	-	-	-	7.20 ( 3.40 - 9.20 )	1.70 ( 0.93 - 3.00 )	7.60	97

# MXZ-6D122VA COOLING

Indoor units combination	Cooling Capacity (kW)						Outdoor unit power consumption (kW)	Current (A)	Power factor (%)	
	Unit A	Unit B	Unit C	Unit D	Unit E	Unit F				Total
15+15+50	1.54	1.54	5.13	-	-	-	8.21 ( 3.40 - 9.80 )	2.14 ( 0.93 - 3.40 )	9.58	97
15+15+60	1.48	1.48	5.93	-	-	-	8.89 ( 3.50 - 10.40 )	2.48 ( 0.93 - 3.75 )	11.10	97
15+15+71	1.43	1.43	6.75	-	-	-	9.61 ( 3.50 - 11.00 )	2.82 ( 0.93 - 4.11 )	12.63	97
15+18+18	1.50	1.80	1.80	-	-	-	5.10 ( 3.20 - 8.10 )	1.21 ( 1.00 - 4.02 )	5.42	97
15+18+20	1.50	1.80	2.00	-	-	-	5.30 ( 3.20 - 7.80 )	1.25 ( 1.00 - 3.91 )	5.59	97
15+18+22	1.50	1.80	2.20	-	-	-	5.50 ( 3.20 - 7.50 )	1.29 ( 1.00 - 3.81 )	5.77	97
15+18+25	1.50	1.80	2.50	-	-	-	5.80 ( 3.30 - 8.40 )	1.35 ( 0.98 - 3.30 )	6.04	97
15+18+35	1.50	1.80	3.50	-	-	-	6.80 ( 3.40 - 9.20 )	1.54 ( 0.93 - 3.00 )	6.92	97
15+18+42	1.50	1.80	4.20	-	-	-	7.50 ( 3.40 - 9.50 )	1.83 ( 0.93 - 3.22 )	8.19	97
15+18+50	1.48	1.78	4.94	-	-	-	8.20 ( 3.40 - 10.20 )	2.14 ( 0.93 - 3.64 )	9.58	97
15+18+60	1.44	1.72	5.74	-	-	-	8.90 ( 3.50 - 10.70 )	2.48 ( 0.93 - 3.93 )	11.10	97
15+18+71	1.38	1.66	6.55	-	-	-	9.59 ( 3.50 - 11.10 )	2.82 ( 0.93 - 4.17 )	12.63	97
15+20+20	1.50	2.00	2.00	-	-	-	5.50 ( 3.20 - 7.50 )	1.29 ( 1.00 - 3.81 )	5.77	97
15+20+22	1.50	2.00	2.20	-	-	-	5.70 ( 3.20 - 7.80 )	1.33 ( 1.00 - 3.91 )	5.95	97
15+20+25	1.50	2.00	2.50	-	-	-	6.00 ( 3.20 - 8.30 )	1.39 ( 1.00 - 4.09 )	6.21	97
15+20+35	1.50	2.00	3.50	-	-	-	7.00 ( 3.40 - 8.90 )	1.61 ( 0.93 - 2.79 )	7.20	97
15+20+42	1.48	1.97	4.15	-	-	-	7.60 ( 3.40 - 9.60 )	1.87 ( 0.93 - 3.28 )	8.39	97
15+20+50	1.45	1.93	4.82	-	-	-	8.20 ( 3.40 - 10.10 )	2.14 ( 0.93 - 3.58 )	9.58	97
15+20+60	1.41	1.87	5.62	-	-	-	8.90 ( 3.50 - 10.60 )	2.48 ( 0.93 - 3.87 )	11.10	97
15+20+71	1.36	1.81	6.43	-	-	-	9.60 ( 3.50 - 11.20 )	2.82 ( 0.93 - 4.23 )	12.63	97
15+22+22	1.50	2.20	2.20	-	-	-	5.90 ( 3.20 - 8.10 )	1.37 ( 1.00 - 4.02 )	6.12	97
15+22+25	1.50	2.20	2.50	-	-	-	6.20 ( 3.30 - 8.40 )	1.43 ( 0.98 - 3.30 )	6.39	97
15+22+35	1.50	2.20	3.50	-	-	-	7.20 ( 3.40 - 9.20 )	1.70 ( 0.93 - 3.00 )	7.60	97
15+22+42	1.42	2.09	3.99	-	-	-	7.50 ( 3.40 - 9.70 )	1.83 ( 0.93 - 3.34 )	8.19	97
15+22+50	1.41	2.07	4.71	-	-	-	8.19 ( 3.40 - 10.20 )	2.14 ( 0.93 - 3.64 )	9.58	97
15+22+60	1.38	2.02	5.51	-	-	-	8.91 ( 3.50 - 10.70 )	2.48 ( 0.93 - 3.93 )	11.10	97
15+22+71	1.33	1.96	6.31	-	-	-	9.60 ( 3.50 - 11.20 )	2.82 ( 0.93 - 4.23 )	12.63	97
15+25+25	1.50	2.50	2.50	-	-	-	6.50 ( 3.40 - 8.50 )	1.48 ( 0.95 - 2.50 )	6.65	97
15+25+35	1.50	2.50	3.50	-	-	-	7.50 ( 3.40 - 9.50 )	1.83 ( 0.93 - 3.22 )	8.19	97
15+25+42	1.50	2.50	4.20	-	-	-	8.20 ( 3.40 - 9.90 )	2.14 ( 0.93 - 3.46 )	9.58	97
15+25+50	1.48	2.47	4.94	-	-	-	8.89 ( 3.50 - 10.40 )	2.48 ( 0.93 - 3.75 )	11.10	97
15+25+60	1.44	2.40	5.76	-	-	-	9.60 ( 3.50 - 10.90 )	2.82 ( 0.93 - 4.05 )	12.63	97
15+25+71	1.31	2.18	6.20	-	-	-	9.69 ( 3.50 - 11.30 )	2.91 ( 0.93 - 4.29 )	13.04	97
15+35+35	1.45	3.38	3.38	-	-	-	8.21 ( 3.40 - 10.10 )	2.14 ( 0.93 - 3.58 )	9.58	97
15+35+42	1.45	3.39	4.06	-	-	-	8.90 ( 3.50 - 10.50 )	2.48 ( 0.93 - 3.81 )	11.10	97
15+35+50	1.44	3.36	4.80	-	-	-	9.60 ( 3.50 - 10.90 )	2.82 ( 0.93 - 4.05 )	12.63	97

# MXZ-6D122VA COOLING

Indoor units combination	Cooling Capacity (kW)							Outdoor unit power consumption (kW)	Current (A)	Power factor (%)
	Unit A	Unit B	Unit C	Unit D	Unit E	Unit F	Total			
15+35+60	1.32	3.09	5.29	-	-	-	9.70 ( 3.50 - 11.30 )	2.91 ( 0.93 - 4.29 )	13.04	97
15+35+71	1.21	2.83	5.75	-	-	-	9.79 ( 3.50 - 11.40 )	2.99 ( 0.93 - 4.36 )	13.41	97
15+42+42	1.35	3.78	3.78	-	-	-	8.91 ( 3.50 - 10.90 )	2.48 ( 0.93 - 4.05 )	11.10	97
15+42+50	1.35	3.77	4.49	-	-	-	9.61 ( 3.50 - 11.20 )	2.82 ( 0.93 - 4.23 )	12.63	97
15+42+60	1.26	3.52	5.03	-	-	-	9.81 ( 3.50 - 11.40 )	2.99 ( 0.93 - 4.36 )	13.41	97
15+42+71	1.17	3.28	5.55	-	-	-	10.00 ( 3.50 - 11.60 )	3.11 ( 0.93 - 4.49 )	13.95	97
15+50+50	1.27	4.22	4.22	-	-	-	9.71 ( 3.50 - 11.30 )	2.91 ( 0.93 - 4.29 )	13.04	97
15+50+60	1.19	3.96	4.75	-	-	-	9.90 ( 3.50 - 11.50 )	3.05 ( 0.93 - 4.42 )	13.68	97
15+50+71	1.13	3.75	5.33	-	-	-	10.21 ( 3.50 - 11.80 )	3.22 ( 0.93 - 4.64 )	14.42	97
15+60+60	1.13	4.53	4.53	-	-	-	10.19 ( 3.50 - 11.80 )	3.22 ( 0.93 - 4.64 )	14.42	97
15+60+71	1.08	4.32	5.11	-	-	-	10.51 ( 3.50 - 12.10 )	3.35 ( 0.93 - 4.86 )	15.04	97
15+71+71	1.03	4.88	4.88	-	-	-	10.79 ( 3.50 - 12.40 )	3.37 ( 0.92 - 4.80 )	15.12	97
18+18+18	1.80	1.80	1.80	-	-	-	5.40 ( 3.40 - 8.50 )	1.27 ( 0.93 - 2.50 )	5.68	97
18+18+20	1.80	1.80	2.00	-	-	-	5.60 ( 3.30 - 8.40 )	1.31 ( 0.96 - 3.30 )	5.86	97
18+18+22	1.80	1.80	2.20	-	-	-	5.80 ( 3.40 - 8.50 )	1.35 ( 0.93 - 2.50 )	6.04	97
18+18+25	1.80	1.80	2.50	-	-	-	6.10 ( 3.40 - 8.80 )	1.41 ( 0.93 - 2.72 )	6.30	97
18+18+35	1.80	1.80	3.50	-	-	-	7.10 ( 3.40 - 9.70 )	1.65 ( 0.93 - 3.34 )	7.40	97
18+18+42	1.74	1.74	4.07	-	-	-	7.55 ( 3.40 - 9.90 )	1.85 ( 0.93 - 3.46 )	8.29	97
18+18+50	1.72	1.72	4.77	-	-	-	8.21 ( 3.40 - 10.10 )	2.14 ( 0.93 - 3.58 )	9.58	97
18+18+60	1.67	1.67	5.56	-	-	-	8.90 ( 3.50 - 11.10 )	2.48 ( 0.93 - 4.17 )	11.10	97
18+18+71	1.61	1.61	6.37	-	-	-	9.59 ( 3.50 - 11.20 )	2.82 ( 0.93 - 4.23 )	12.63	97
18+20+20	1.80	2.00	2.00	-	-	-	5.80 ( 3.30 - 8.40 )	1.35 ( 0.98 - 3.30 )	6.04	97
18+20+22	1.80	2.00	2.20	-	-	-	6.00 ( 3.20 - 8.30 )	1.39 ( 1.00 - 4.09 )	6.21	97
18+20+25	1.80	2.00	2.50	-	-	-	6.30 ( 3.40 - 8.60 )	1.45 ( 0.93 - 2.57 )	6.48	97
18+20+35	1.80	2.00	3.50	-	-	-	7.30 ( 3.40 - 9.60 )	1.74 ( 0.93 - 3.28 )	7.80	97
18+20+42	1.85	2.05	4.31	-	-	-	8.21 ( 3.40 - 9.80 )	2.14 ( 0.93 - 3.40 )	9.58	97
18+20+50	1.68	1.86	4.66	-	-	-	8.20 ( 3.50 - 10.50 )	2.14 ( 0.93 - 3.81 )	9.58	97
18+20+60	1.63	1.82	5.45	-	-	-	8.90 ( 3.50 - 11.00 )	2.48 ( 0.93 - 4.11 )	11.10	97
18+20+71	1.60	1.78	6.32	-	-	-	9.70 ( 3.50 - 11.30 )	2.91 ( 0.93 - 4.29 )	13.04	97
18+22+22	1.80	2.20	2.20	-	-	-	6.20 ( 3.30 - 8.40 )	1.43 ( 0.98 - 3.30 )	6.39	97
18+22+25	1.80	2.20	2.50	-	-	-	6.50 ( 3.40 - 8.50 )	1.48 ( 0.95 - 2.50 )	6.65	97
18+22+35	1.80	2.20	3.50	-	-	-	7.50 ( 3.40 - 9.50 )	1.83 ( 0.93 - 3.22 )	8.19	97
18+22+42	1.80	2.20	4.20	-	-	-	8.20 ( 3.40 - 9.90 )	2.14 ( 0.93 - 3.46 )	9.58	97
18+22+50	1.78	2.18	4.94	-	-	-	8.90 ( 3.50 - 10.40 )	2.48 ( 0.93 - 3.75 )	11.10	97
18+22+60	1.73	2.11	5.76	-	-	-	9.60 ( 3.50 - 10.90 )	2.82 ( 0.93 - 4.05 )	12.63	97
18+22+71	1.57	1.92	6.20	-	-	-	9.69 ( 3.50 - 11.30 )	2.91 ( 0.93 - 4.29 )	13.04	97

# MXZ-6D122VA COOLING

Indoor units combination	Cooling Capacity (kW)						Outdoor unit power consumption (kW)	Current (A)	Power factor (%)	
	Unit A	Unit B	Unit C	Unit D	Unit E	Unit F				Total
18+25+25	1.80	2.50	2.50	-	-	-	6.80 ( 3.40 - 9.20 )	1.54 ( 0.93 - 3.00 )	6.92	97
18+25+35	1.74	2.42	3.39	-	-	-	7.55 ( 3.40 - 9.90 )	1.85 ( 0.93 - 3.46 )	8.29	97
18+25+42	1.74	2.41	4.05	-	-	-	8.20 ( 3.40 - 10.10 )	2.14 ( 0.93 - 3.58 )	9.58	97
18+25+50	1.72	2.39	4.78	-	-	-	8.89 ( 3.50 - 10.70 )	2.48 ( 0.93 - 3.93 )	11.10	97
18+25+60	1.68	2.33	5.59	-	-	-	9.60 ( 3.50 - 11.20 )	2.82 ( 0.93 - 4.23 )	12.63	97
18+25+71	1.53	2.13	6.04	-	-	-	9.70 ( 3.50 - 11.30 )	2.91 ( 0.93 - 4.29 )	13.04	97
18+35+35	1.68	3.26	3.26	-	-	-	8.20 ( 3.50 - 10.50 )	2.14 ( 0.93 - 3.81 )	9.58	97
18+35+42	1.69	3.28	3.93	-	-	-	8.90 ( 3.50 - 10.60 )	2.48 ( 0.93 - 3.87 )	11.10	97
18+35+50	1.68	3.26	4.66	-	-	-	9.60 ( 3.50 - 11.20 )	2.82 ( 0.93 - 4.23 )	12.63	97
18+35+60	1.55	3.00	5.15	-	-	-	9.70 ( 3.50 - 11.30 )	2.91 ( 0.93 - 4.29 )	13.04	97
18+35+71	1.44	2.79	5.67	-	-	-	9.90 ( 3.50 - 11.50 )	3.05 ( 0.93 - 4.42 )	13.68	97
18+42+42	1.69	3.95	3.95	-	-	-	9.59 ( 3.50 - 11.00 )	2.82 ( 0.93 - 4.11 )	12.63	97
18+42+50	1.59	3.70	4.41	-	-	-	9.70 ( 3.50 - 11.30 )	2.91 ( 0.93 - 4.29 )	13.04	97
18+42+60	1.47	3.43	4.90	-	-	-	9.80 ( 3.50 - 11.40 )	2.99 ( 0.93 - 4.36 )	13.41	97
18+42+71	1.37	3.21	5.42	-	-	-	10.00 ( 3.50 - 11.60 )	3.11 ( 0.93 - 4.49 )	13.95	97
18+50+50	1.49	4.15	4.15	-	-	-	9.79 ( 3.50 - 11.40 )	2.99 ( 0.93 - 4.36 )	13.41	97
18+50+60	1.41	3.91	4.69	-	-	-	10.01 ( 3.50 - 11.60 )	3.11 ( 0.93 - 4.49 )	13.95	97
18+50+71	1.33	3.71	5.26	-	-	-	10.30 ( 3.50 - 11.90 )	3.26 ( 0.93 - 4.71 )	14.63	97
18+60+60	1.34	4.48	4.48	-	-	-	10.30 ( 3.50 - 11.90 )	3.26 ( 0.93 - 4.71 )	14.63	97
18+60+71	1.27	4.25	5.03	-	-	-	10.55 ( 3.50 - 12.30 )	3.38 ( 0.93 - 4.87 )	15.14	97
18+71+71	1.23	4.84	4.84	-	-	-	10.91 ( 3.50 - 12.50 )	3.36 ( 0.92 - 4.74 )	15.06	97
20+20+20	2.00	2.00	2.00	-	-	-	6.00 ( 3.20 - 8.30 )	1.39 ( 1.00 - 4.09 )	6.21	97
20+20+22	2.00	2.00	2.20	-	-	-	6.20 ( 3.30 - 8.40 )	1.43 ( 0.98 - 3.30 )	6.39	97
20+20+25	2.00	2.00	2.50	-	-	-	6.50 ( 3.40 - 8.50 )	1.48 ( 0.95 - 2.50 )	6.65	97
20+20+35	2.00	2.00	3.50	-	-	-	7.50 ( 3.40 - 9.50 )	1.83 ( 0.93 - 3.22 )	8.19	97
20+20+42	2.00	2.00	4.20	-	-	-	8.20 ( 3.40 - 9.90 )	2.14 ( 0.93 - 3.46 )	9.58	97
20+20+50	1.98	1.98	4.94	-	-	-	8.90 ( 3.50 - 10.40 )	2.48 ( 0.93 - 3.75 )	11.10	97
20+20+60	1.92	1.92	5.76	-	-	-	9.60 ( 3.50 - 10.90 )	2.82 ( 0.93 - 4.05 )	12.63	97
20+20+71	1.75	1.75	6.20	-	-	-	9.70 ( 3.50 - 11.30 )	2.91 ( 0.93 - 4.29 )	13.04	97
20+22+22	2.00	2.20	2.20	-	-	-	6.40 ( 3.30 - 8.40 )	1.47 ( 0.96 - 3.30 )	6.57	97
20+22+25	2.00	2.20	2.50	-	-	-	6.70 ( 3.40 - 8.60 )	1.52 ( 0.93 - 2.57 )	6.83	97
20+22+35	1.97	2.17	3.45	-	-	-	7.59 ( 3.40 - 9.60 )	1.87 ( 0.93 - 3.28 )	8.39	97
20+22+42	1.95	2.15	4.10	-	-	-	8.20 ( 3.40 - 10.00 )	2.14 ( 0.93 - 3.52 )	9.58	97
20+22+50	1.93	2.13	4.84	-	-	-	8.90 ( 3.50 - 10.50 )	2.48 ( 0.93 - 3.81 )	11.10	97
20+22+60	1.88	2.07	5.65	-	-	-	9.60 ( 3.50 - 11.00 )	2.82 ( 0.93 - 4.11 )	12.63	97
20+22+71	1.72	1.89	6.09	-	-	-	9.70 ( 3.50 - 11.30 )	2.91 ( 0.93 - 4.29 )	13.04	97

# MXZ-6D122VA COOLING

Indoor units combination	Cooling Capacity (kW)							Outdoor unit power consumption (kW)	Current (A)	Power factor (%)
	Unit A	Unit B	Unit C	Unit D	Unit E	Unit F	Total			
20+25+25	2.00	2.50	2.50	-	-	-	7.00 ( 3.40 - 8.90 )	1.61 ( 0.93 - 2.79 )	7.20	97
20+25+35	2.05	2.56	3.59	-	-	-	8.20 ( 3.40 - 9.80 )	2.14 ( 0.93 - 3.40 )	9.58	97
20+25+42	1.89	2.36	3.96	-	-	-	8.21 ( 3.40 - 10.20 )	2.14 ( 0.93 - 3.64 )	9.58	97
20+25+50	1.87	2.34	4.68	-	-	-	8.89 ( 3.50 - 10.60 )	2.48 ( 0.93 - 3.87 )	11.10	97
20+25+60	1.83	2.29	5.49	-	-	-	9.61 ( 3.50 - 11.20 )	2.82 ( 0.93 - 4.23 )	12.63	97
20+25+71	1.69	2.11	6.00	-	-	-	9.80 ( 3.50 - 11.40 )	2.99 ( 0.93 - 4.36 )	13.41	97
20+35+35	1.98	3.46	3.46	-	-	-	8.90 ( 3.50 - 10.40 )	2.48 ( 0.93 - 3.75 )	11.10	97
20+35+42	1.84	3.21	3.85	-	-	-	8.90 ( 3.50 - 10.70 )	2.48 ( 0.93 - 3.93 )	11.10	97
20+35+50	1.83	3.20	4.57	-	-	-	9.60 ( 3.50 - 11.20 )	2.82 ( 0.93 - 4.23 )	12.63	97
20+35+60	1.69	2.95	5.06	-	-	-	9.70 ( 3.50 - 11.30 )	2.91 ( 0.93 - 4.29 )	13.04	97
20+35+71	1.57	2.75	5.58	-	-	-	9.90 ( 3.50 - 11.50 )	3.05 ( 0.93 - 4.42 )	13.68	97
20+42+42	1.85	3.88	3.88	-	-	-	9.61 ( 3.50 - 11.10 )	2.82 ( 0.93 - 4.17 )	12.63	97
20+42+50	1.73	3.64	4.33	-	-	-	9.70 ( 3.50 - 11.30 )	2.91 ( 0.93 - 4.29 )	13.04	97
20+42+60	1.61	3.37	4.82	-	-	-	9.80 ( 3.50 - 11.40 )	2.99 ( 0.93 - 4.36 )	13.41	97
20+42+71	1.52	3.19	5.39	-	-	-	10.10 ( 3.50 - 11.70 )	3.17 ( 0.93 - 4.57 )	14.22	97
20+50+50	1.63	4.08	4.08	-	-	-	9.79 ( 3.50 - 11.40 )	2.99 ( 0.93 - 4.36 )	13.41	97
20+50+60	1.54	3.85	4.62	-	-	-	10.01 ( 3.50 - 11.60 )	3.11 ( 0.93 - 4.49 )	13.95	97
20+50+71	1.46	3.65	5.19	-	-	-	10.30 ( 3.50 - 11.90 )	3.26 ( 0.93 - 4.71 )	14.63	97
20+60+60	1.47	4.41	4.41	-	-	-	10.29 ( 3.50 - 11.90 )	3.26 ( 0.93 - 4.71 )	14.63	97
20+60+71	1.40	4.21	4.98	-	-	-	10.59 ( 3.50 - 12.20 )	3.40 ( 0.93 - 4.93 )	15.24	97
20+71+71	1.36	4.82	4.82	-	-	-	11.00 ( 3.50 - 12.50 )	3.35 ( 0.91 - 4.74 )	15.00	97
22+22+22	2.20	2.20	2.20	-	-	-	6.60 ( 3.40 - 8.50 )	1.50 ( 0.93 - 2.50 )	6.74	97
22+22+25	2.20	2.20	2.50	-	-	-	6.90 ( 3.40 - 8.80 )	1.56 ( 0.93 - 2.72 )	7.01	97
22+22+35	2.09	2.09	3.32	-	-	-	7.50 ( 3.40 - 9.70 )	1.83 ( 0.93 - 3.34 )	8.19	97
22+22+42	2.10	2.10	4.00	-	-	-	8.20 ( 3.40 - 10.10 )	2.14 ( 0.93 - 3.58 )	9.58	97
22+22+50	2.08	2.08	4.73	-	-	-	8.89 ( 3.50 - 10.60 )	2.48 ( 0.93 - 3.87 )	11.10	97
22+22+60	2.03	2.03	5.54	-	-	-	9.60 ( 3.50 - 11.10 )	2.82 ( 0.93 - 4.17 )	12.63	97
22+22+71	1.86	1.86	5.99	-	-	-	9.71 ( 3.50 - 11.30 )	2.91 ( 0.93 - 4.29 )	13.04	97
22+25+25	2.20	2.50	2.50	-	-	-	7.20 ( 3.40 - 9.20 )	1.70 ( 0.93 - 3.00 )	7.60	97
22+25+35	2.20	2.50	3.50	-	-	-	8.20 ( 3.40 - 9.90 )	2.14 ( 0.93 - 3.46 )	9.58	97
22+25+42	2.03	2.30	3.87	-	-	-	8.20 ( 3.40 - 10.30 )	2.14 ( 0.93 - 3.70 )	9.58	97
22+25+50	2.02	2.29	4.59	-	-	-	8.90 ( 3.50 - 10.70 )	2.48 ( 0.93 - 3.93 )	11.10	97
22+25+60	1.97	2.24	5.38	-	-	-	9.59 ( 3.50 - 11.20 )	2.82 ( 0.93 - 4.23 )	12.63	97
22+25+71	1.83	2.08	5.90	-	-	-	9.81 ( 3.50 - 11.40 )	2.99 ( 0.93 - 4.36 )	13.41	97
22+35+35	2.13	3.39	3.39	-	-	-	8.91 ( 3.50 - 10.50 )	2.48 ( 0.93 - 3.81 )	11.10	97
22+35+42	1.98	3.15	3.78	-	-	-	8.91 ( 3.50 - 10.90 )	2.48 ( 0.93 - 4.05 )	11.10	97



# MXZ-6D122VA COOLING

Indoor units combination	Cooling Capacity (kW)							Outdoor unit power consumption (kW)	Current (A)	Power factor (%)
	Unit A	Unit B	Unit C	Unit D	Unit E	Unit F	Total			
22+35+50	1.97	3.14	4.49	-	-	-	9.60 ( 3.50 - 11.20 )	2.82 ( 0.93 - 4.23 )	12.63	97
22+35+60	1.84	2.93	5.03	-	-	-	9.80 ( 3.50 - 11.40 )	2.99 ( 0.93 - 4.36 )	13.41	97
22+35+71	1.72	2.73	5.55	-	-	-	10.00 ( 3.50 - 11.60 )	3.11 ( 0.93 - 4.49 )	13.95	97
22+42+42	1.99	3.80	3.80	-	-	-	9.59 ( 3.50 - 11.20 )	2.82 ( 0.93 - 4.23 )	12.63	97
22+42+50	1.87	3.57	4.25	-	-	-	9.69 ( 3.50 - 11.30 )	2.91 ( 0.93 - 4.29 )	13.04	97
22+42+60	1.76	3.35	4.79	-	-	-	9.90 ( 3.50 - 11.50 )	3.05 ( 0.93 - 4.42 )	13.68	97
22+42+71	1.66	3.17	5.36	-	-	-	10.19 ( 3.50 - 11.80 )	3.22 ( 0.93 - 4.64 )	14.42	97
22+50+50	1.77	4.02	4.02	-	-	-	9.81 ( 3.50 - 11.40 )	2.99 ( 0.93 - 4.36 )	13.41	97
22+50+60	1.68	3.83	4.59	-	-	-	10.10 ( 3.50 - 11.70 )	3.17 ( 0.93 - 4.57 )	14.22	97
22+50+71	1.60	3.64	5.16	-	-	-	10.40 ( 3.50 - 12.00 )	3.31 ( 0.93 - 4.78 )	14.83	97
22+60+60	1.61	4.39	4.39	-	-	-	10.39 ( 3.50 - 12.00 )	3.31 ( 0.93 - 4.78 )	14.83	97
22+60+71	1.54	4.20	4.97	-	-	-	10.71 ( 3.50 - 12.30 )	3.39 ( 0.93 - 4.87 )	15.18	97
22+71+71	1.48	4.76	4.76	-	-	-	11.00 ( 3.50 - 12.60 )	3.35 ( 0.91 - 4.68 )	15.00	97
25+25+25	2.50	2.50	2.50	-	-	-	7.50 ( 3.40 - 9.50 )	1.83 ( 0.93 - 3.22 )	8.19	97
25+25+35	2.41	2.41	3.38	-	-	-	8.20 ( 3.40 - 10.10 )	2.14 ( 0.93 - 3.58 )	9.58	97
25+25+42	2.42	2.42	4.06	-	-	-	8.90 ( 3.50 - 10.50 )	2.48 ( 0.93 - 3.81 )	11.10	97
25+25+50	2.40	2.40	4.80	-	-	-	9.60 ( 3.50 - 10.90 )	2.82 ( 0.93 - 4.05 )	12.63	97
25+25+60	2.20	2.20	5.29	-	-	-	9.69 ( 3.50 - 11.30 )	2.91 ( 0.93 - 4.29 )	13.04	97
25+25+71	2.02	2.02	5.75	-	-	-	9.79 ( 3.50 - 11.40 )	2.99 ( 0.93 - 4.36 )	13.41	97
25+35+35	2.34	3.28	3.28	-	-	-	8.90 ( 3.50 - 10.60 )	2.48 ( 0.93 - 3.87 )	11.10	97
25+35+42	2.35	3.29	3.95	-	-	-	9.59 ( 3.50 - 11.00 )	2.82 ( 0.93 - 4.11 )	12.63	97
25+35+50	2.20	3.09	4.41	-	-	-	9.70 ( 3.50 - 11.30 )	2.91 ( 0.93 - 4.29 )	13.04	97
25+35+60	2.04	2.86	4.90	-	-	-	9.80 ( 3.50 - 11.40 )	2.99 ( 0.93 - 4.36 )	13.41	97
25+35+71	1.91	2.67	5.42	-	-	-	10.00 ( 3.50 - 11.60 )	3.11 ( 0.93 - 4.49 )	13.95	97
25+42+42	2.22	3.74	3.74	-	-	-	9.70 ( 3.50 - 11.30 )	2.91 ( 0.93 - 4.29 )	13.04	97
25+42+50	2.09	3.52	4.19	-	-	-	9.80 ( 3.50 - 11.40 )	2.99 ( 0.93 - 4.36 )	13.41	97
25+42+60	1.95	3.27	4.68	-	-	-	9.90 ( 3.50 - 11.50 )	3.05 ( 0.93 - 4.42 )	13.68	97
25+42+71	1.87	3.13	5.30	-	-	-	10.30 ( 3.50 - 11.90 )	3.26 ( 0.93 - 4.71 )	14.63	97
25+50+50	1.98	3.96	3.96	-	-	-	9.90 ( 3.50 - 11.50 )	3.05 ( 0.93 - 4.42 )	13.68	97
25+50+60	1.89	3.78	4.53	-	-	-	10.20 ( 3.50 - 11.80 )	3.22 ( 0.93 - 4.64 )	14.42	97
25+50+71	1.80	3.60	5.11	-	-	-	10.51 ( 3.50 - 12.10 )	3.35 ( 0.93 - 4.86 )	15.04	97
25+60+60	1.81	4.34	4.34	-	-	-	10.49 ( 3.50 - 12.10 )	3.35 ( 0.93 - 4.86 )	15.04	97
25+60+71	1.73	4.15	4.92	-	-	-	10.80 ( 3.50 - 12.40 )	3.37 ( 0.92 - 4.80 )	15.12	97
25+71+71	1.66	4.72	4.72	-	-	-	11.10 ( 3.50 - 12.70 )	3.33 ( 0.91 - 4.61 )	14.95	97
35+35+35	3.20	3.20	3.20	-	-	-	9.60 ( 3.50 - 11.20 )	2.82 ( 0.93 - 4.23 )	12.63	97
35+35+42	3.03	3.03	3.64	-	-	-	9.70 ( 3.50 - 11.30 )	2.91 ( 0.93 - 4.29 )	13.04	97

# MXZ-6D122VA COOLING

Indoor units combination	Cooling Capacity (kW)							Outdoor unit power consumption (kW)	Current (A)	Power factor (%)
	Unit A	Unit B	Unit C	Unit D	Unit E	Unit F	Total			
35+35+50	2.86	2.86	4.08	-	-	-	9.80 ( 3.50 - 11.40 )	2.99 ( 0.93 - 4.36 )	13.41	97
35+35+60	2.69	2.69	4.62	-	-	-	10.00 ( 3.50 - 11.60 )	3.11 ( 0.93 - 4.49 )	13.95	97
35+35+71	2.56	2.56	5.19	-	-	-	10.31 ( 3.50 - 11.90 )	3.26 ( 0.93 - 4.71 )	14.63	97
35+42+42	2.88	3.46	3.46	-	-	-	9.80 ( 3.50 - 11.40 )	2.99 ( 0.93 - 4.36 )	13.41	97
35+42+50	2.73	3.27	3.90	-	-	-	9.90 ( 3.50 - 11.50 )	3.05 ( 0.93 - 4.42 )	13.68	97
35+42+60	2.61	3.13	4.47	-	-	-	10.21 ( 3.50 - 11.80 )	3.22 ( 0.93 - 4.64 )	14.42	97
35+42+71	2.48	2.98	5.04	-	-	-	10.50 ( 3.50 - 12.10 )	3.35 ( 0.93 - 4.86 )	15.04	97
35+50+50	2.64	3.78	3.78	-	-	-	10.20 ( 3.50 - 11.80 )	3.22 ( 0.93 - 4.64 )	14.42	97
35+50+60	2.53	3.62	4.34	-	-	-	10.49 ( 3.50 - 12.10 )	3.35 ( 0.93 - 4.86 )	15.04	97
35+50+71	2.42	3.46	4.92	-	-	-	10.80 ( 3.50 - 12.40 )	3.37 ( 0.92 - 4.80 )	15.12	97
35+60+60	2.44	4.18	4.18	-	-	-	10.80 ( 3.50 - 12.30 )	3.37 ( 0.92 - 4.87 )	15.12	97
35+60+71	2.34	4.01	4.75	-	-	-	11.10 ( 3.50 - 12.60 )	3.33 ( 0.91 - 4.68 )	14.95	97
35+71+71	2.25	4.57	4.57	-	-	-	11.39 ( 3.50 - 12.90 )	3.29 ( 0.89 - 4.48 )	14.77	97
42+42+42	3.30	3.30	3.30	-	-	-	9.90 ( 3.50 - 11.50 )	3.05 ( 0.93 - 4.42 )	13.68	97
42+42+50	3.17	3.17	3.77	-	-	-	10.11 ( 3.50 - 11.70 )	3.17 ( 0.93 - 4.57 )	14.22	97
42+42+60	3.03	3.03	4.33	-	-	-	10.39 ( 3.50 - 12.00 )	3.31 ( 0.93 - 4.78 )	14.83	97
42+42+71	2.93	2.93	4.95	-	-	-	10.81 ( 3.50 - 12.30 )	3.37 ( 0.92 - 4.87 )	15.12	97
42+50+50	3.08	3.66	3.66	-	-	-	10.40 ( 3.50 - 12.00 )	3.31 ( 0.93 - 4.78 )	14.83	97
42+50+60	2.96	3.52	4.22	-	-	-	10.70 ( 3.50 - 12.30 )	3.39 ( 0.93 - 4.87 )	15.18	97
42+50+71	2.83	3.37	4.79	-	-	-	10.99 ( 3.50 - 12.50 )	3.35 ( 0.91 - 4.74 )	15.00	97
42+60+60	2.85	4.07	4.07	-	-	-	10.99 ( 3.50 - 12.50 )	3.35 ( 0.91 - 4.74 )	15.00	97
42+60+71	2.74	3.92	4.64	-	-	-	11.30 ( 3.50 - 12.80 )	3.31 ( 0.90 - 4.55 )	14.83	97
50+50+50	3.53	3.53	3.53	-	-	-	10.59 ( 3.50 - 12.20 )	3.40 ( 0.93 - 4.93 )	15.24	97
50+50+60	3.41	3.41	4.09	-	-	-	10.91 ( 3.50 - 12.50 )	3.36 ( 0.92 - 4.74 )	15.06	97
50+50+71	3.27	3.27	4.65	-	-	-	11.19 ( 3.50 - 12.80 )	3.32 ( 0.90 - 4.55 )	14.89	97
50+60+60	3.29	3.95	3.95	-	-	-	11.19 ( 3.50 - 12.70 )	3.32 ( 0.90 - 4.61 )	14.89	97
60+60+60	3.83	3.83	3.83	-	-	-	11.49 ( 3.50 - 13.00 )	3.28 ( 0.89 - 4.42 )	14.71	97
15+15+15+15	1.50	1.50	1.50	1.50	-	-	6.00 ( 3.30 - 8.40 )	1.32 ( 0.96 - 4.13 )	5.79	99
15+15+15+18	1.50	1.50	1.50	1.80	-	-	6.30 ( 3.30 - 9.20 )	1.43 ( 0.96 - 4.21 )	6.28	99
15+15+15+20	1.50	1.50	1.50	2.00	-	-	6.50 ( 3.30 - 9.00 )	1.50 ( 0.96 - 4.19 )	6.60	99
15+15+15+22	1.50	1.50	1.50	2.20	-	-	6.70 ( 3.30 - 9.20 )	1.58 ( 0.96 - 4.21 )	6.92	99
15+15+15+25	1.50	1.50	1.50	2.50	-	-	7.00 ( 3.30 - 9.50 )	1.69 ( 0.96 - 4.24 )	7.41	99
15+15+15+35	1.50	1.50	1.50	3.50	-	-	8.00 ( 3.30 - 10.60 )	2.04 ( 0.96 - 4.34 )	8.94	99
15+15+15+42	1.50	1.50	1.50	4.20	-	-	8.70 ( 3.50 - 11.00 )	2.16 ( 0.92 - 3.85 )	9.50	99
15+15+15+50	1.50	1.50	1.50	5.00	-	-	9.50 ( 3.50 - 11.50 )	2.46 ( 0.91 - 3.98 )	10.79	99
15+15+15+60	1.44	1.44	1.44	5.77	-	-	10.09 ( 3.50 - 11.90 )	2.81 ( 0.91 - 4.10 )	12.34	99

# MXZ-6D122VA COOLING

Indoor units combination	Cooling Capacity (kW)						Outdoor unit power consumption (kW)	Current (A)	Power factor (%)	
	Unit A	Unit B	Unit C	Unit D	Unit E	Unit F				Total
15+15+15+71	1.33	1.33	1.33	6.30	-	-	10.29 ( 3.50 - 12.00 )	2.88 ( 0.91 - 4.14 )	12.66	99
15+15+18+18	1.50	1.50	1.80	1.80	-	-	6.60 ( 3.30 - 10.00 )	1.54 ( 0.96 - 4.28 )	6.76	99
15+15+18+20	1.50	1.50	1.80	2.00	-	-	6.80 ( 3.30 - 9.70 )	1.61 ( 0.96 - 4.25 )	7.08	99
15+15+18+22	1.50	1.50	1.80	2.20	-	-	7.00 ( 3.30 - 9.50 )	1.69 ( 0.96 - 4.24 )	7.41	99
15+15+18+25	1.50	1.50	1.80	2.50	-	-	7.30 ( 3.30 - 10.30 )	1.80 ( 0.96 - 4.31 )	7.89	99
15+15+18+35	1.50	1.50	1.80	3.50	-	-	8.30 ( 3.50 - 11.20 )	2.09 ( 0.91 - 3.90 )	9.18	99
15+15+18+42	1.50	1.50	1.80	4.20	-	-	9.00 ( 3.50 - 11.10 )	2.22 ( 0.91 - 3.88 )	9.74	99
15+15+18+50	1.50	1.50	1.80	5.00	-	-	9.80 ( 3.50 - 11.80 )	2.60 ( 0.91 - 4.05 )	11.42	99
15+15+18+60	1.40	1.40	1.68	5.61	-	-	10.09 ( 3.50 - 11.90 )	2.83 ( 0.91 - 4.10 )	12.43	99
15+15+18+71	1.30	1.30	1.56	6.15	-	-	10.31 ( 3.50 - 12.10 )	2.90 ( 0.91 - 4.19 )	12.75	99
15+15+20+20	1.50	1.50	2.00	2.00	-	-	7.00 ( 3.30 - 9.50 )	1.69 ( 0.96 - 4.24 )	7.41	99
15+15+20+22	1.50	1.50	2.00	2.20	-	-	7.20 ( 3.30 - 9.70 )	1.76 ( 0.96 - 4.25 )	7.73	99
15+15+20+25	1.50	1.50	2.00	2.50	-	-	7.50 ( 3.30 - 10.10 )	1.87 ( 0.96 - 4.29 )	8.22	99
15+15+20+35	1.50	1.50	2.00	3.50	-	-	8.50 ( 3.40 - 10.90 )	2.13 ( 0.93 - 3.97 )	9.34	99
15+15+20+42	1.50	1.50	2.00	4.20	-	-	9.20 ( 3.50 - 11.30 )	2.31 ( 0.91 - 3.93 )	10.16	99
15+15+20+50	1.50	1.50	2.00	5.00	-	-	10.00 ( 3.50 - 11.80 )	2.70 ( 0.91 - 4.05 )	11.84	99
15+15+20+60	1.39	1.39	1.85	5.56	-	-	10.19 ( 3.50 - 12.00 )	2.84 ( 0.91 - 4.14 )	12.49	99
15+15+20+71	1.29	1.29	1.72	6.10	-	-	10.40 ( 3.50 - 12.10 )	2.92 ( 0.91 - 4.19 )	12.81	99
15+15+22+22	1.50	1.50	2.20	2.20	-	-	7.40 ( 3.30 - 10.00 )	1.83 ( 0.96 - 4.28 )	8.05	99
15+15+22+25	1.50	1.50	2.20	2.50	-	-	7.70 ( 3.30 - 10.30 )	1.94 ( 0.96 - 4.31 )	8.54	99
15+15+22+35	1.50	1.50	2.20	3.50	-	-	8.70 ( 3.50 - 11.00 )	2.16 ( 0.92 - 3.85 )	9.50	99
15+15+22+42	1.50	1.50	2.20	4.20	-	-	9.40 ( 3.50 - 11.40 )	2.41 ( 0.91 - 3.95 )	10.58	99
15+15+22+50	1.47	1.47	2.16	4.90	-	-	10.00 ( 3.50 - 11.80 )	2.79 ( 0.91 - 4.05 )	12.26	99
15+15+22+60	1.37	1.37	2.00	5.46	-	-	10.20 ( 3.50 - 12.00 )	2.86 ( 0.91 - 4.14 )	12.55	99
15+15+22+71	1.27	1.27	1.86	6.00	-	-	10.40 ( 3.50 - 12.10 )	2.93 ( 0.91 - 4.19 )	12.87	99
15+15+25+25	1.50	1.50	2.50	2.50	-	-	8.00 ( 3.30 - 10.60 )	2.04 ( 0.96 - 4.34 )	8.94	99
15+15+25+35	1.50	1.50	2.50	3.50	-	-	9.00 ( 3.50 - 11.10 )	2.22 ( 0.91 - 3.88 )	9.74	99
15+15+25+42	1.50	1.50	2.50	4.20	-	-	9.70 ( 3.50 - 11.60 )	2.55 ( 0.91 - 4.00 )	11.21	99
15+15+25+50	1.44	1.44	2.40	4.81	-	-	10.09 ( 3.50 - 11.90 )	2.81 ( 0.91 - 4.10 )	12.34	99
15+15+25+60	1.34	1.34	2.24	5.37	-	-	10.29 ( 3.50 - 12.00 )	2.88 ( 0.91 - 4.14 )	12.64	99
15+15+25+71	1.25	1.25	2.08	5.92	-	-	10.50 ( 3.50 - 12.20 )	2.95 ( 0.91 - 4.24 )	12.96	99
15+15+35+35	1.50	1.50	3.50	3.50	-	-	10.00 ( 3.50 - 11.80 )	2.70 ( 0.91 - 4.05 )	11.84	99
15+15+35+42	1.42	1.42	3.30	3.96	-	-	10.10 ( 3.50 - 11.90 )	2.82 ( 0.91 - 4.10 )	12.40	99
15+15+35+50	1.34	1.34	3.13	4.48	-	-	10.29 ( 3.50 - 12.00 )	2.88 ( 0.91 - 4.14 )	12.64	99
15+15+35+60	1.25	1.25	2.91	4.99	-	-	10.40 ( 3.50 - 12.20 )	2.94 ( 0.91 - 4.24 )	12.93	99
15+15+35+71	1.17	1.17	2.73	5.53	-	-	10.60 ( 3.50 - 12.30 )	3.02 ( 0.91 - 4.28 )	13.28	99

# MXZ-6D122VA COOLING

Indoor units combination	Cooling Capacity (kW)							Outdoor unit power consumption (kW)	Current (A)	Power factor (%)
	Unit A	Unit B	Unit C	Unit D	Unit E	Unit F	Total			
15+15+42+42	1.34	1.34	3.76	3.76	-	-	10.20 ( 3.50 - 12.00 )	2.87 ( 0.91 - 4.14 )	12.60	99
15+15+42+50	1.28	1.28	3.58	4.26	-	-	10.40 ( 3.50 - 12.10 )	2.92 ( 0.91 - 4.19 )	12.84	99
15+15+42+60	1.20	1.20	3.37	4.82	-	-	10.59 ( 3.50 - 12.30 )	2.99 ( 0.91 - 4.28 )	13.15	99
15+15+42+71	1.12	1.12	3.14	5.31	-	-	10.69 ( 3.50 - 12.40 )	3.05 ( 0.91 - 4.33 )	13.41	99
15+15+50+50	1.21	1.21	4.04	4.04	-	-	10.50 ( 3.50 - 12.30 )	2.98 ( 0.91 - 4.28 )	13.09	99
15+15+50+60	1.15	1.15	3.82	4.59	-	-	10.71 ( 3.50 - 12.40 )	3.05 ( 0.91 - 4.33 )	13.38	99
15+15+50+71	1.06	1.06	3.54	5.03	-	-	10.69 ( 3.50 - 12.40 )	3.07 ( 0.91 - 4.33 )	13.47	99
15+15+60+60	1.07	1.07	4.28	4.28	-	-	10.70 ( 3.50 - 12.40 )	3.07 ( 0.91 - 4.33 )	13.46	99
15+15+60+71	1.01	1.01	4.02	4.76	-	-	10.80 ( 3.50 - 12.50 )	3.07 ( 0.91 - 4.40 )	13.49	99
15+15+71+71	0.94	0.94	4.46	4.46	-	-	10.80 ( 3.50 - 12.50 )	3.29 ( 0.91 - 4.40 )	14.44	99
15+18+18+18	1.50	1.80	1.80	1.80	-	-	6.90 ( 3.30 - 10.70 )	1.65 ( 0.96 - 4.22 )	7.25	99
15+18+18+20	1.50	1.80	1.80	2.00	-	-	7.10 ( 3.30 - 10.50 )	1.72 ( 0.96 - 4.33 )	7.57	99
15+18+18+22	1.50	1.80	1.80	2.20	-	-	7.30 ( 3.30 - 10.70 )	1.80 ( 0.96 - 4.22 )	7.89	99
15+18+18+25	1.50	1.80	1.80	2.50	-	-	7.60 ( 3.50 - 11.00 )	1.91 ( 0.91 - 3.85 )	8.38	99
15+18+18+35	1.50	1.80	1.80	3.50	-	-	8.60 ( 3.50 - 10.90 )	2.15 ( 0.92 - 3.97 )	9.42	99
15+18+18+42	1.50	1.80	1.80	4.20	-	-	9.30 ( 3.50 - 11.60 )	2.36 ( 0.91 - 4.00 )	10.37	99
15+18+18+50	1.49	1.78	1.78	4.95	-	-	10.00 ( 3.50 - 11.80 )	2.74 ( 0.91 - 4.05 )	12.05	99
15+18+18+60	1.38	1.65	1.65	5.51	-	-	10.19 ( 3.50 - 12.00 )	2.85 ( 0.91 - 4.14 )	12.52	99
15+18+18+71	1.28	1.53	1.53	6.05	-	-	10.39 ( 3.50 - 12.10 )	2.92 ( 0.91 - 4.19 )	12.84	99
15+18+20+20	1.50	1.80	2.00	2.00	-	-	7.30 ( 3.30 - 10.30 )	1.80 ( 0.96 - 4.31 )	7.89	99
15+18+20+22	1.50	1.80	2.00	2.20	-	-	7.50 ( 3.30 - 10.10 )	1.87 ( 0.96 - 4.29 )	8.22	99
15+18+20+25	1.50	1.80	2.00	2.50	-	-	7.80 ( 3.50 - 10.90 )	1.98 ( 0.92 - 3.97 )	8.70	99
15+18+20+35	1.50	1.80	2.00	3.50	-	-	8.80 ( 3.50 - 11.00 )	2.18 ( 0.91 - 3.85 )	9.58	99
15+18+20+42	1.50	1.80	2.00	4.20	-	-	9.50 ( 3.50 - 11.50 )	2.46 ( 0.91 - 3.98 )	10.79	99
15+18+20+50	1.46	1.76	1.95	4.88	-	-	10.05 ( 3.50 - 11.90 )	2.80 ( 0.91 - 4.10 )	12.28	99
15+18+20+60	1.35	1.62	1.81	5.42	-	-	10.20 ( 3.50 - 12.10 )	2.86 ( 0.91 - 4.19 )	12.58	99
15+18+20+71	1.26	1.51	1.68	5.95	-	-	10.40 ( 3.50 - 12.20 )	2.94 ( 0.91 - 4.24 )	12.90	99
15+18+22+22	1.50	1.80	2.20	2.20	-	-	7.70 ( 3.30 - 10.30 )	1.94 ( 0.96 - 4.31 )	8.54	99
15+18+22+25	1.50	1.80	2.20	2.50	-	-	8.00 ( 3.30 - 10.60 )	2.04 ( 0.96 - 4.34 )	8.94	99
15+18+22+35	1.50	1.80	2.20	3.50	-	-	9.00 ( 3.50 - 11.10 )	2.22 ( 0.91 - 3.88 )	9.74	99
15+18+22+42	1.50	1.80	2.20	4.20	-	-	9.70 ( 3.50 - 11.60 )	2.55 ( 0.91 - 4.00 )	11.21	99
15+18+22+50	1.44	1.73	2.12	4.81	-	-	10.10 ( 3.50 - 11.90 )	2.81 ( 0.91 - 4.10 )	12.34	99
15+18+22+60	1.34	1.61	1.97	5.37	-	-	10.29 ( 3.50 - 12.00 )	2.88 ( 0.91 - 4.14 )	12.64	99
15+18+22+71	1.25	1.50	1.83	5.92	-	-	10.50 ( 3.50 - 12.20 )	2.95 ( 0.91 - 4.24 )	12.96	99
15+18+25+25	1.50	1.80	2.50	2.50	-	-	8.30 ( 3.50 - 11.20 )	2.09 ( 0.91 - 3.90 )	9.18	99
15+18+25+35	1.50	1.80	2.50	3.50	-	-	9.30 ( 3.50 - 11.60 )	2.36 ( 0.91 - 4.00 )	10.37	99

# MXZ-6D122VA COOLING

Indoor units combination	Cooling Capacity (kW)						Outdoor unit power consumption (kW)	Current (A)	Power factor (%)	
	Unit A	Unit B	Unit C	Unit D	Unit E	Unit F				Total
15+18+25+42	1.50	1.80	2.50	4.20	-	-	10.00 ( 3.50 - 11.80 )	2.70 ( 0.91 - 4.05 )	11.84	99
15+18+25+50	1.40	1.68	2.34	4.68	-	-	10.10 ( 3.50 - 11.90 )	2.83 ( 0.91 - 4.10 )	12.43	99
15+18+25+60	1.31	1.57	2.18	5.24	-	-	10.30 ( 3.50 - 12.10 )	2.90 ( 0.91 - 4.19 )	12.72	99
15+18+25+71	1.22	1.47	2.03	5.78	-	-	10.50 ( 3.50 - 12.20 )	2.97 ( 0.91 - 4.24 )	13.06	99
15+18+35+35	1.46	1.76	3.42	3.42	-	-	10.06 ( 3.50 - 11.90 )	2.80 ( 0.91 - 4.10 )	12.28	99
15+18+35+42	1.39	1.67	3.25	3.89	-	-	10.20 ( 3.50 - 12.00 )	2.84 ( 0.91 - 4.14 )	12.49	99
15+18+35+50	1.31	1.57	3.06	4.36	-	-	10.30 ( 3.50 - 12.10 )	2.90 ( 0.91 - 4.19 )	12.72	99
15+18+35+60	1.23	1.48	2.87	4.92	-	-	10.50 ( 3.50 - 12.20 )	2.97 ( 0.91 - 4.24 )	13.02	99
15+18+35+71	1.15	1.39	2.69	5.47	-	-	10.70 ( 3.50 - 12.40 )	3.05 ( 0.91 - 4.33 )	13.37	99
15+18+42+42	1.32	1.58	3.70	3.70	-	-	10.30 ( 3.50 - 12.10 )	2.89 ( 0.91 - 4.19 )	12.69	99
15+18+42+50	1.25	1.50	3.49	4.16	-	-	10.40 ( 3.50 - 12.20 )	2.94 ( 0.91 - 4.24 )	12.93	99
15+18+42+60	1.18	1.41	3.30	4.71	-	-	10.60 ( 3.50 - 12.30 )	3.02 ( 0.91 - 4.28 )	13.25	99
15+18+42+71	1.10	1.32	3.08	5.20	-	-	10.70 ( 3.50 - 12.40 )	3.06 ( 0.91 - 4.33 )	13.43	99
15+18+50+50	1.20	1.43	3.98	3.98	-	-	10.59 ( 3.50 - 12.30 )	3.00 ( 0.91 - 4.28 )	13.18	99
15+18+50+60	1.12	1.35	3.74	4.49	-	-	10.70 ( 3.50 - 12.40 )	3.05 ( 0.91 - 4.33 )	13.41	99
15+18+50+71	1.05	1.26	3.51	4.98	-	-	10.80 ( 3.50 - 12.50 )	3.07 ( 0.91 - 4.40 )	13.49	99
15+18+60+60	1.05	1.26	4.20	4.20	-	-	10.71 ( 3.50 - 12.40 )	3.07 ( 0.91 - 4.33 )	13.49	99
15+18+60+71	0.99	1.19	3.95	4.68	-	-	10.81 ( 3.50 - 12.50 )	3.07 ( 0.91 - 4.40 )	13.49	99
15+18+71+71	0.93	1.11	4.38	4.38	-	-	10.80 ( 3.50 - 12.50 )	3.42 ( 0.91 - 4.40 )	15.02	99
15+20+20+20	1.50	2.00	2.00	2.00	-	-	7.50 ( 3.30 - 10.10 )	1.87 ( 0.96 - 4.29 )	8.22	99
15+20+20+22	1.50	2.00	2.00	2.20	-	-	7.70 ( 3.30 - 10.30 )	1.94 ( 0.96 - 4.31 )	8.54	99
15+20+20+25	1.50	2.00	2.00	2.50	-	-	8.00 ( 3.30 - 10.60 )	2.04 ( 0.96 - 4.34 )	8.94	99
15+20+20+35	1.50	2.00	2.00	3.50	-	-	9.00 ( 3.50 - 11.10 )	2.22 ( 0.91 - 3.88 )	9.74	99
15+20+20+42	1.50	2.00	2.00	4.20	-	-	9.70 ( 3.50 - 11.60 )	2.55 ( 0.91 - 4.00 )	11.21	99
15+20+20+50	1.44	1.92	1.92	4.81	-	-	10.09 ( 3.50 - 11.90 )	2.81 ( 0.91 - 4.10 )	12.34	99
15+20+20+60	1.34	1.79	1.79	5.37	-	-	10.29 ( 3.50 - 12.00 )	2.88 ( 0.91 - 4.14 )	12.64	99
15+20+20+71	1.25	1.67	1.67	5.92	-	-	10.51 ( 3.50 - 12.20 )	2.95 ( 0.91 - 4.24 )	12.96	99
15+20+22+22	1.50	2.00	2.20	2.20	-	-	7.90 ( 3.30 - 10.50 )	2.02 ( 0.96 - 4.33 )	8.86	99
15+20+22+25	1.50	2.00	2.20	2.50	-	-	8.20 ( 3.40 - 10.70 )	2.07 ( 0.95 - 4.22 )	9.10	99
15+20+22+35	1.50	2.00	2.20	3.50	-	-	9.20 ( 3.50 - 11.30 )	2.31 ( 0.91 - 3.93 )	10.16	99
15+20+22+42	1.50	2.00	2.20	4.20	-	-	9.90 ( 3.50 - 11.70 )	2.65 ( 0.91 - 4.03 )	11.63	99
15+20+22+50	1.42	1.89	2.08	4.72	-	-	10.11 ( 3.50 - 11.90 )	2.82 ( 0.91 - 4.10 )	12.40	99
15+20+22+60	1.32	1.76	1.94	5.28	-	-	10.30 ( 3.50 - 12.10 )	2.89 ( 0.91 - 4.19 )	12.69	99
15+20+22+71	1.23	1.64	1.80	5.82	-	-	10.49 ( 3.50 - 12.20 )	2.97 ( 0.91 - 4.24 )	13.02	99
15+20+25+25	1.50	2.00	2.50	2.50	-	-	8.50 ( 3.40 - 10.90 )	2.13 ( 0.93 - 3.97 )	9.34	99
15+20+25+35	1.50	2.00	2.50	3.50	-	-	9.50 ( 3.50 - 11.50 )	2.46 ( 0.91 - 3.98 )	10.79	99

# MXZ-6D122VA COOLING

Indoor units combination	Cooling Capacity (kW)							Outdoor unit power consumption (kW)	Current (A)	Power factor (%)
	Unit A	Unit B	Unit C	Unit D	Unit E	Unit F	Total			
15+20+25+42	1.47	1.96	2.45	4.12	-	-	10.00 ( 3.50 - 11.80 )	2.79 ( 0.91 - 4.05 )	12.26	99
15+20+25+50	1.39	1.85	2.32	4.64	-	-	10.20 ( 3.50 - 12.00 )	2.84 ( 0.91 - 4.14 )	12.49	99
15+20+25+60	1.30	1.73	2.17	5.20	-	-	10.40 ( 3.50 - 12.10 )	2.91 ( 0.91 - 4.19 )	12.78	99
15+20+25+71	1.20	1.60	2.00	5.69	-	-	10.49 ( 3.50 - 12.30 )	2.99 ( 0.91 - 4.28 )	13.12	99
15+20+35+35	1.44	1.92	3.37	3.37	-	-	10.10 ( 3.50 - 11.90 )	2.81 ( 0.91 - 4.10 )	12.34	99
15+20+35+42	1.37	1.82	3.19	3.83	-	-	10.21 ( 3.50 - 12.00 )	2.86 ( 0.91 - 4.14 )	12.55	99
15+20+35+50	1.30	1.73	3.03	4.33	-	-	10.39 ( 3.50 - 12.10 )	2.91 ( 0.91 - 4.19 )	12.78	99
15+20+35+60	1.21	1.62	2.83	4.85	-	-	10.51 ( 3.50 - 12.30 )	2.98 ( 0.91 - 4.28 )	13.09	99
15+20+35+71	1.14	1.52	2.66	5.39	-	-	10.71 ( 3.50 - 12.40 )	3.05 ( 0.91 - 4.33 )	13.39	99
15+20+42+42	1.30	1.73	3.64	3.64	-	-	10.31 ( 3.50 - 12.10 )	2.90 ( 0.91 - 4.19 )	12.75	99
15+20+42+50	1.24	1.65	3.47	4.13	-	-	10.49 ( 3.50 - 12.20 )	2.96 ( 0.91 - 4.24 )	12.99	99
15+20+42+60	1.16	1.55	3.25	4.64	-	-	10.60 ( 3.50 - 12.40 )	3.03 ( 0.91 - 4.33 )	13.31	99
15+20+42+71	1.08	1.45	3.04	5.13	-	-	10.70 ( 3.50 - 12.40 )	3.06 ( 0.91 - 4.33 )	13.45	99
15+20+50+50	1.18	1.57	3.93	3.93	-	-	10.61 ( 3.50 - 12.30 )	3.02 ( 0.91 - 4.28 )	13.25	99
15+20+50+60	1.11	1.48	3.69	4.43	-	-	10.71 ( 3.50 - 12.40 )	3.06 ( 0.91 - 4.33 )	13.42	99
15+20+50+71	1.04	1.38	3.46	4.92	-	-	10.80 ( 3.50 - 12.50 )	3.07 ( 0.91 - 4.40 )	13.49	99
15+20+60+60	1.05	1.39	4.18	4.18	-	-	10.80 ( 3.50 - 12.50 )	3.07 ( 0.91 - 4.40 )	13.49	99
15+20+60+71	0.98	1.30	3.90	4.62	-	-	10.80 ( 3.50 - 12.50 )	3.07 ( 0.91 - 4.40 )	13.49	99
15+20+71+71	0.92	1.22	4.33	4.33	-	-	10.80 ( 3.50 - 12.50 )	3.51 ( 0.91 - 4.40 )	15.40	99
15+22+22+22	1.50	2.20	2.20	2.20	-	-	8.10 ( 3.30 - 10.70 )	2.05 ( 0.96 - 4.22 )	9.02	99
15+22+22+25	1.50	2.20	2.20	2.50	-	-	8.40 ( 3.40 - 10.80 )	2.11 ( 0.93 - 4.10 )	9.26	99
15+22+22+35	1.50	2.20	2.20	3.50	-	-	9.40 ( 3.50 - 11.40 )	2.41 ( 0.91 - 3.95 )	10.58	99
15+22+22+42	1.49	2.18	2.18	4.16	-	-	10.01 ( 3.50 - 11.80 )	2.74 ( 0.91 - 4.05 )	12.05	99
15+22+22+50	1.40	2.06	2.06	4.68	-	-	10.20 ( 3.50 - 11.90 )	2.84 ( 0.91 - 4.10 )	12.46	99
15+22+22+60	1.30	1.90	1.90	5.19	-	-	10.29 ( 3.50 - 12.10 )	2.90 ( 0.91 - 4.19 )	12.75	99
15+22+22+71	1.21	1.78	1.78	5.73	-	-	10.50 ( 3.50 - 12.30 )	2.98 ( 0.91 - 4.28 )	13.09	99
15+22+25+25	1.50	2.20	2.50	2.50	-	-	8.70 ( 3.50 - 11.00 )	2.16 ( 0.92 - 3.85 )	9.50	99
15+22+25+35	1.50	2.20	2.50	3.50	-	-	9.70 ( 3.50 - 11.60 )	2.55 ( 0.91 - 4.00 )	11.21	99
15+22+25+42	1.46	2.14	2.43	4.08	-	-	10.11 ( 3.50 - 11.90 )	2.80 ( 0.91 - 4.10 )	12.32	99
15+22+25+50	1.37	2.00	2.28	4.55	-	-	10.20 ( 3.50 - 12.00 )	2.86 ( 0.91 - 4.14 )	12.55	99
15+22+25+60	1.28	1.88	2.13	5.11	-	-	10.40 ( 3.50 - 12.10 )	2.92 ( 0.91 - 4.19 )	12.84	99
15+22+25+71	1.20	1.75	1.99	5.66	-	-	10.60 ( 3.50 - 12.30 )	3.00 ( 0.91 - 4.28 )	13.18	99
15+22+35+35	1.42	2.08	3.30	3.30	-	-	10.10 ( 3.50 - 11.90 )	2.82 ( 0.91 - 4.10 )	12.40	99
15+22+35+42	1.34	1.97	3.13	3.76	-	-	10.20 ( 3.50 - 12.00 )	2.87 ( 0.91 - 4.14 )	12.60	99
15+22+35+50	1.28	1.88	2.98	4.26	-	-	10.40 ( 3.50 - 12.10 )	2.92 ( 0.91 - 4.19 )	12.84	99
15+22+35+60	1.20	1.77	2.81	4.82	-	-	10.60 ( 3.50 - 12.30 )	2.99 ( 0.91 - 4.28 )	13.15	99

# MXZ-6D122VA COOLING

Indoor units combination	Cooling Capacity (kW)						Outdoor unit power consumption (kW)	Current (A)	Power factor (%)	
	Unit A	Unit B	Unit C	Unit D	Unit E	Unit F				Total
15+22+35+71	1.12	1.65	2.62	5.31	-	-	10.70 ( 3.50 - 12.40 )	3.05 ( 0.91 - 4.33 )	13.41	99
15+22+42+42	1.29	1.89	3.61	3.61	-	-	10.40 ( 3.50 - 12.10 )	2.92 ( 0.91 - 4.19 )	12.81	99
15+22+42+50	1.22	1.79	3.42	4.07	-	-	10.50 ( 3.50 - 12.20 )	2.97 ( 0.91 - 4.24 )	13.06	99
15+22+42+60	1.15	1.69	3.23	4.62	-	-	10.69 ( 3.50 - 12.40 )	3.05 ( 0.91 - 4.33 )	13.37	99
15+22+42+71	1.07	1.57	3.00	5.06	-	-	10.70 ( 3.50 - 12.40 )	3.07 ( 0.91 - 4.33 )	13.46	99
15+22+50+50	1.16	1.70	3.87	3.87	-	-	10.60 ( 3.50 - 12.40 )	3.03 ( 0.91 - 4.33 )	13.31	99
15+22+50+60	1.09	1.60	3.64	4.37	-	-	10.70 ( 3.50 - 12.40 )	3.06 ( 0.91 - 4.33 )	13.44	99
15+22+50+71	1.03	1.50	3.42	4.85	-	-	10.80 ( 3.50 - 12.50 )	3.07 ( 0.91 - 4.40 )	13.49	99
15+22+60+60	1.03	1.51	4.13	4.13	-	-	10.80 ( 3.50 - 12.50 )	3.07 ( 0.91 - 4.40 )	13.49	99
15+22+60+71	0.96	1.41	3.86	4.56	-	-	10.79 ( 3.50 - 12.50 )	3.12 ( 0.91 - 4.40 )	13.69	99
15+22+71+71	0.91	1.33	4.28	4.28	-	-	10.80 ( 3.50 - 12.50 )	3.59 ( 0.91 - 4.40 )	15.78	99
15+25+25+25	1.50	2.50	2.50	2.50	-	-	9.00 ( 3.50 - 11.10 )	2.22 ( 0.91 - 3.88 )	9.74	99
15+25+25+35	1.50	2.50	2.50	3.50	-	-	10.00 ( 3.50 - 11.80 )	2.70 ( 0.91 - 4.05 )	11.84	99
15+25+25+42	1.42	2.36	2.36	3.96	-	-	10.10 ( 3.50 - 11.90 )	2.82 ( 0.91 - 4.10 )	12.40	99
15+25+25+50	1.34	2.24	2.24	4.48	-	-	10.30 ( 3.50 - 12.00 )	2.88 ( 0.91 - 4.14 )	12.64	99
15+25+25+60	1.25	2.08	2.08	4.99	-	-	10.40 ( 3.50 - 12.20 )	2.94 ( 0.91 - 4.24 )	12.93	99
15+25+25+71	1.17	1.95	1.95	5.53	-	-	10.60 ( 3.50 - 12.30 )	3.02 ( 0.91 - 4.28 )	13.28	99
15+25+35+35	1.39	2.32	3.25	3.25	-	-	10.21 ( 3.50 - 12.00 )	2.84 ( 0.91 - 4.14 )	12.49	99
15+25+35+42	1.32	2.20	3.08	3.70	-	-	10.30 ( 3.50 - 12.10 )	2.89 ( 0.91 - 4.19 )	12.69	99
15+25+35+50	1.25	2.08	2.91	4.16	-	-	10.40 ( 3.50 - 12.20 )	2.94 ( 0.91 - 4.24 )	12.93	99
15+25+35+60	1.18	1.96	2.75	4.71	-	-	10.60 ( 3.50 - 12.30 )	3.02 ( 0.91 - 4.28 )	13.25	99
15+25+35+71	1.10	1.83	2.57	5.20	-	-	10.70 ( 3.50 - 12.40 )	3.06 ( 0.91 - 4.33 )	13.43	99
15+25+42+42	1.26	2.10	3.52	3.52	-	-	10.40 ( 3.50 - 12.20 )	2.94 ( 0.91 - 4.24 )	12.90	99
15+25+42+50	1.20	2.01	3.37	4.02	-	-	10.60 ( 3.50 - 12.30 )	2.99 ( 0.91 - 4.28 )	13.15	99
15+25+42+60	1.13	1.88	3.16	4.52	-	-	10.69 ( 3.50 - 12.40 )	3.05 ( 0.91 - 4.33 )	13.40	99
15+25+42+71	1.05	1.75	2.94	4.97	-	-	10.71 ( 3.50 - 12.40 )	3.07 ( 0.91 - 4.33 )	13.49	99
15+25+50+50	1.15	1.91	3.82	3.82	-	-	10.70 ( 3.50 - 12.40 )	3.05 ( 0.91 - 4.33 )	13.38	99
15+25+50+60	1.07	1.78	3.57	4.28	-	-	10.70 ( 3.50 - 12.40 )	3.07 ( 0.91 - 4.33 )	13.46	99
15+25+50+71	1.01	1.68	3.35	4.76	-	-	10.80 ( 3.50 - 12.50 )	3.07 ( 0.91 - 4.40 )	13.49	99
15+25+60+60	1.01	1.69	4.05	4.05	-	-	10.80 ( 3.50 - 12.50 )	3.07 ( 0.91 - 4.40 )	13.49	99
15+25+60+71	0.95	1.58	3.79	4.48	-	-	10.80 ( 3.50 - 12.50 )	3.25 ( 0.91 - 4.40 )	14.26	99
15+35+35+35	1.30	3.03	3.03	3.03	-	-	10.39 ( 3.50 - 12.10 )	2.91 ( 0.91 - 4.19 )	12.78	99
15+35+35+42	1.24	2.89	2.89	3.47	-	-	10.49 ( 3.50 - 12.20 )	2.96 ( 0.91 - 4.24 )	12.99	99
15+35+35+50	1.18	2.75	2.75	3.93	-	-	10.61 ( 3.50 - 12.30 )	3.02 ( 0.91 - 4.28 )	13.25	99
15+35+35+60	1.11	2.58	2.58	4.43	-	-	10.70 ( 3.50 - 12.40 )	3.06 ( 0.91 - 4.33 )	13.42	99
15+35+35+71	1.04	2.42	2.42	4.92	-	-	10.80 ( 3.50 - 12.50 )	3.07 ( 0.91 - 4.40 )	13.49	99

# MXZ-6D122VA COOLING

Indoor units combination	Cooling Capacity (kW)							Outdoor unit power consumption (kW)	Current (A)	Power factor (%)
	Unit A	Unit B	Unit C	Unit D	Unit E	Unit F	Total			
15+35+42+42	1.19	2.77	3.32	3.32	-	-	10.60 ( 3.50 - 12.30 )	3.01 ( 0.91 - 4.28 )	13.22	99
15+35+42+50	1.13	2.64	3.16	3.77	-	-	10.70 ( 3.50 - 12.40 )	3.05 ( 0.91 - 4.33 )	13.40	99
15+35+42+60	1.06	2.46	2.96	4.22	-	-	10.70 ( 3.50 - 12.40 )	3.07 ( 0.91 - 4.33 )	13.48	99
15+35+42+71	0.99	2.32	2.78	4.70	-	-	10.79 ( 3.50 - 12.50 )	3.07 ( 0.91 - 4.40 )	13.49	99
15+35+50+50	1.07	2.50	3.57	3.57	-	-	10.71 ( 3.50 - 12.40 )	3.07 ( 0.91 - 4.33 )	13.46	99
15+35+50+60	1.01	2.36	3.38	4.05	-	-	10.80 ( 3.50 - 12.50 )	3.07 ( 0.91 - 4.40 )	13.49	99
15+35+50+71	0.95	2.21	3.16	4.48	-	-	10.80 ( 3.50 - 12.50 )	3.25 ( 0.91 - 4.40 )	14.26	99
15+35+60+60	0.95	2.22	3.81	3.81	-	-	10.79 ( 3.50 - 12.50 )	3.20 ( 0.91 - 4.40 )	14.07	99
15+42+42+42	1.14	3.19	3.19	3.19	-	-	10.71 ( 3.50 - 12.40 )	3.05 ( 0.91 - 4.33 )	13.39	99
15+42+42+50	1.08	3.02	3.02	3.59	-	-	10.71 ( 3.50 - 12.40 )	3.06 ( 0.91 - 4.33 )	13.45	99
15+42+42+60	1.02	2.85	2.85	4.08	-	-	10.80 ( 3.50 - 12.50 )	3.07 ( 0.91 - 4.40 )	13.49	99
15+42+42+71	0.95	2.67	2.67	4.51	-	-	10.80 ( 3.50 - 12.50 )	3.20 ( 0.91 - 4.40 )	14.07	99
15+42+50+50	1.03	2.89	3.44	3.44	-	-	10.80 ( 3.50 - 12.50 )	3.07 ( 0.91 - 4.40 )	13.49	99
15+42+50+60	0.97	2.72	3.23	3.88	-	-	10.80 ( 3.50 - 12.50 )	3.07 ( 0.91 - 4.40 )	13.49	99
15+42+50+71	0.91	2.55	3.03	4.31	-	-	10.80 ( 3.50 - 12.50 )	3.55 ( 0.91 - 4.40 )	15.59	99
15+42+60+60	0.92	2.56	3.66	3.66	-	-	10.80 ( 3.50 - 12.50 )	3.51 ( 0.91 - 4.40 )	15.40	99
15+50+50+50	0.98	3.27	3.27	3.27	-	-	10.79 ( 3.50 - 12.50 )	3.07 ( 0.91 - 4.40 )	13.49	99
15+50+50+60	0.93	3.09	3.09	3.70	-	-	10.81 ( 3.50 - 12.50 )	3.42 ( 0.91 - 4.40 )	15.02	99
18+18+18+18	1.80	1.80	1.80	1.80	-	-	7.20 ( 3.30 - 9.70 )	1.76 ( 0.96 - 4.25 )	7.73	99
18+18+18+20	1.80	1.80	1.80	2.00	-	-	7.40 ( 3.30 - 10.00 )	1.83 ( 0.96 - 4.28 )	8.05	99
18+18+18+22	1.80	1.80	1.80	2.20	-	-	7.60 ( 3.50 - 11.00 )	1.91 ( 0.91 - 3.85 )	8.38	99
18+18+18+25	1.80	1.80	1.80	2.50	-	-	7.90 ( 3.30 - 10.50 )	2.02 ( 0.96 - 4.33 )	8.86	99
18+18+18+35	1.80	1.80	1.80	3.50	-	-	8.90 ( 3.50 - 11.10 )	2.20 ( 0.91 - 3.88 )	9.66	99
18+18+18+42	1.80	1.80	1.80	4.20	-	-	9.60 ( 3.50 - 11.90 )	2.50 ( 0.91 - 4.10 )	11.00	99
18+18+18+50	1.75	1.75	1.75	4.86	-	-	10.11 ( 3.50 - 11.90 )	2.80 ( 0.91 - 4.10 )	12.32	99
18+18+18+60	1.61	1.61	1.61	5.37	-	-	10.20 ( 3.50 - 12.00 )	2.87 ( 0.91 - 4.14 )	12.60	99
18+18+18+71	1.50	1.50	1.50	5.91	-	-	10.41 ( 3.50 - 12.20 )	2.94 ( 0.91 - 4.24 )	12.93	99
18+18+20+20	1.80	1.80	2.00	2.00	-	-	7.60 ( 3.40 - 10.80 )	1.91 ( 0.93 - 4.10 )	8.38	99
18+18+20+22	1.80	1.80	2.00	2.20	-	-	7.80 ( 3.50 - 10.90 )	1.98 ( 0.92 - 3.97 )	8.70	99
18+18+20+25	1.80	1.80	2.00	2.50	-	-	8.10 ( 3.30 - 10.70 )	2.05 ( 0.96 - 4.22 )	9.02	99
18+18+20+35	1.80	1.80	2.00	3.50	-	-	9.10 ( 3.50 - 11.20 )	2.27 ( 0.91 - 3.90 )	9.95	99
18+18+20+42	1.80	1.80	2.00	4.20	-	-	9.80 ( 3.50 - 11.80 )	2.60 ( 0.91 - 4.05 )	11.42	99
18+18+20+50	1.72	1.72	1.91	4.76	-	-	10.11 ( 3.50 - 11.90 )	2.82 ( 0.91 - 4.10 )	12.37	99
18+18+20+60	1.60	1.60	1.78	5.33	-	-	10.31 ( 3.50 - 12.00 )	2.88 ( 0.91 - 4.14 )	12.66	99
18+18+20+71	1.49	1.49	1.65	5.87	-	-	10.50 ( 3.50 - 12.20 )	2.96 ( 0.91 - 4.24 )	12.99	99
18+18+22+22	1.80	1.80	2.20	2.20	-	-	8.00 ( 3.30 - 10.60 )	2.04 ( 0.96 - 4.34 )	8.94	99



# MXZ-6D122VA COOLING

Indoor units combination	Cooling Capacity (kW)						Outdoor unit power consumption (kW)	Current (A)	Power factor (%)	
	Unit A	Unit B	Unit C	Unit D	Unit E	Unit F				Total
18+18+22+25	1.80	1.80	2.20	2.50	-	-	8.30 ( 3.50 - 11.20 )	2.09 ( 0.91 - 3.90 )	9.18	99
18+18+22+35	1.80	1.80	2.20	3.50	-	-	9.30 ( 3.50 - 11.60 )	2.36 ( 0.91 - 4.00 )	10.37	99
18+18+22+42	1.80	1.80	2.20	4.20	-	-	10.00 ( 3.50 - 11.80 )	2.70 ( 0.91 - 4.05 )	11.84	99
18+18+22+50	1.68	1.68	2.06	4.68	-	-	10.10 ( 3.50 - 11.90 )	2.83 ( 0.91 - 4.10 )	12.43	99
18+18+22+60	1.57	1.57	1.92	5.24	-	-	10.30 ( 3.50 - 12.10 )	2.90 ( 0.91 - 4.19 )	12.72	99
18+18+22+71	1.47	1.47	1.79	5.78	-	-	10.51 ( 3.50 - 12.20 )	2.97 ( 0.91 - 4.24 )	13.06	99
18+18+25+25	1.80	1.80	2.50	2.50	-	-	8.60 ( 3.50 - 10.90 )	2.15 ( 0.92 - 3.97 )	9.42	99
18+18+25+35	1.80	1.80	2.50	3.50	-	-	9.60 ( 3.50 - 11.90 )	2.50 ( 0.91 - 4.10 )	11.00	99
18+18+25+42	1.76	1.76	2.44	4.10	-	-	10.06 ( 3.50 - 11.90 )	2.80 ( 0.91 - 4.10 )	12.28	99
18+18+25+50	1.65	1.65	2.30	4.59	-	-	10.19 ( 3.50 - 12.00 )	2.85 ( 0.91 - 4.14 )	12.52	99
18+18+25+60	1.55	1.55	2.15	5.16	-	-	10.41 ( 3.50 - 12.10 )	2.92 ( 0.91 - 4.19 )	12.81	99
18+18+25+71	1.45	1.45	2.01	5.70	-	-	10.61 ( 3.50 - 12.30 )	2.99 ( 0.91 - 4.28 )	13.15	99
18+18+35+35	1.72	1.72	3.33	3.33	-	-	10.10 ( 3.50 - 11.90 )	2.82 ( 0.91 - 4.10 )	12.37	99
18+18+35+42	1.62	1.62	3.16	3.79	-	-	10.19 ( 3.50 - 12.10 )	2.86 ( 0.91 - 4.19 )	12.58	99
18+18+35+50	1.55	1.55	3.01	4.30	-	-	10.41 ( 3.50 - 12.10 )	2.92 ( 0.91 - 4.19 )	12.81	99
18+18+35+60	1.44	1.44	2.81	4.81	-	-	10.50 ( 3.50 - 12.30 )	2.99 ( 0.91 - 4.28 )	13.12	99
18+18+35+71	1.36	1.36	2.64	5.35	-	-	10.71 ( 3.50 - 12.40 )	3.05 ( 0.91 - 4.33 )	13.40	99
18+18+42+42	1.56	1.56	3.64	3.64	-	-	10.40 ( 3.50 - 12.10 )	2.91 ( 0.91 - 4.19 )	12.78	99
18+18+42+50	1.48	1.48	3.45	4.10	-	-	10.51 ( 3.50 - 12.20 )	2.97 ( 0.91 - 4.24 )	13.02	99
18+18+42+60	1.40	1.40	3.26	4.65	-	-	10.71 ( 3.50 - 12.40 )	3.04 ( 0.91 - 4.33 )	13.34	99
18+18+42+71	1.29	1.29	3.02	5.10	-	-	10.70 ( 3.50 - 12.40 )	3.06 ( 0.91 - 4.33 )	13.45	99
18+18+50+50	1.40	1.40	3.90	3.90	-	-	10.60 ( 3.50 - 12.30 )	3.02 ( 0.91 - 4.28 )	13.28	99
18+18+50+60	1.32	1.32	3.66	4.40	-	-	10.70 ( 3.50 - 12.40 )	3.06 ( 0.91 - 4.33 )	13.43	99
18+18+50+71	1.24	1.24	3.44	4.88	-	-	10.80 ( 3.50 - 12.50 )	3.07 ( 0.91 - 4.40 )	13.49	99
18+18+60+60	1.25	1.25	4.15	4.15	-	-	10.80 ( 3.50 - 12.50 )	3.07 ( 0.91 - 4.40 )	13.49	99
18+18+60+71	1.16	1.16	3.88	4.59	-	-	10.79 ( 3.50 - 12.50 )	3.07 ( 0.91 - 4.40 )	13.49	99
18+18+71+71	1.09	1.09	4.31	4.31	-	-	10.80 ( 3.50 - 12.50 )	3.55 ( 0.91 - 4.40 )	15.59	99
18+20+20+20	1.80	2.00	2.00	2.00	-	-	7.80 ( 3.50 - 10.90 )	1.98 ( 0.92 - 3.97 )	8.70	99
18+20+20+22	1.80	2.00	2.00	2.20	-	-	8.00 ( 3.30 - 10.60 )	2.04 ( 0.96 - 4.34 )	8.94	99
18+20+20+25	1.80	2.00	2.00	2.50	-	-	8.30 ( 3.50 - 11.20 )	2.09 ( 0.91 - 3.90 )	9.18	99
18+20+20+35	1.80	2.00	2.00	3.50	-	-	9.30 ( 3.50 - 11.60 )	2.36 ( 0.91 - 4.00 )	10.37	99
18+20+20+42	1.80	2.00	2.00	4.20	-	-	10.00 ( 3.50 - 11.80 )	2.70 ( 0.91 - 4.05 )	11.84	99
18+20+20+50	1.68	1.87	1.87	4.68	-	-	10.10 ( 3.50 - 11.90 )	2.83 ( 0.91 - 4.10 )	12.43	99
18+20+20+60	1.57	1.75	1.75	5.24	-	-	10.31 ( 3.50 - 12.10 )	2.90 ( 0.91 - 4.19 )	12.72	99
18+20+20+71	1.47	1.63	1.63	5.78	-	-	10.51 ( 3.50 - 12.20 )	2.97 ( 0.91 - 4.24 )	13.06	99
18+20+22+22	1.80	2.00	2.20	2.20	-	-	8.20 ( 3.40 - 10.70 )	2.07 ( 0.95 - 4.22 )	9.10	99

# MXZ-6D122VA COOLING

Indoor units combination	Cooling Capacity (kW)						Outdoor unit power consumption (kW)	Current (A)	Power factor (%)	
	Unit A	Unit B	Unit C	Unit D	Unit E	Unit F				Total
18+20+22+25	1.80	2.00	2.20	2.50	-	-	8.50 ( 3.40 - 10.90 )	2.13 ( 0.93 - 3.97 )	9.34	99
18+20+22+35	1.80	2.00	2.20	3.50	-	-	9.50 ( 3.50 - 11.50 )	2.46 ( 0.91 - 3.98 )	10.79	99
18+20+22+42	1.76	1.96	2.16	4.12	-	-	10.00 ( 3.50 - 11.80 )	2.79 ( 0.91 - 4.05 )	12.26	99
18+20+22+50	1.67	1.85	2.04	4.64	-	-	10.20 ( 3.50 - 12.00 )	2.84 ( 0.91 - 4.14 )	12.49	99
18+20+22+60	1.56	1.73	1.91	5.20	-	-	10.40 ( 3.50 - 12.10 )	2.91 ( 0.91 - 4.19 )	12.78	99
18+20+22+71	1.44	1.60	1.76	5.69	-	-	10.49 ( 3.50 - 12.30 )	2.99 ( 0.91 - 4.28 )	13.12	99
18+20+25+25	1.80	2.00	2.50	2.50	-	-	8.80 ( 3.50 - 11.00 )	2.18 ( 0.91 - 3.85 )	9.58	99
18+20+25+35	1.80	2.00	2.50	3.50	-	-	9.80 ( 3.50 - 11.80 )	2.60 ( 0.91 - 4.05 )	11.42	99
18+20+25+42	1.73	1.92	2.40	4.04	-	-	10.09 ( 3.50 - 11.90 )	2.81 ( 0.91 - 4.10 )	12.34	99
18+20+25+50	1.62	1.81	2.26	4.51	-	-	10.20 ( 3.50 - 12.10 )	2.86 ( 0.91 - 4.19 )	12.58	99
18+20+25+60	1.52	1.69	2.11	5.07	-	-	10.39 ( 3.50 - 12.10 )	2.93 ( 0.91 - 4.19 )	12.87	99
18+20+25+71	1.42	1.58	1.98	5.62	-	-	10.60 ( 3.50 - 12.30 )	3.01 ( 0.91 - 4.28 )	13.22	99
18+20+35+35	1.68	1.87	3.27	3.27	-	-	10.09 ( 3.50 - 11.90 )	2.83 ( 0.91 - 4.10 )	12.43	99
18+20+35+42	1.61	1.79	3.13	3.76	-	-	10.29 ( 3.50 - 12.00 )	2.88 ( 0.91 - 4.14 )	12.64	99
18+20+35+50	1.52	1.69	2.96	4.23	-	-	10.40 ( 3.50 - 12.10 )	2.93 ( 0.91 - 4.19 )	12.87	99
18+20+35+60	1.43	1.59	2.79	4.78	-	-	10.59 ( 3.50 - 12.30 )	3.00 ( 0.91 - 4.28 )	13.18	99
18+20+35+71	1.34	1.49	2.60	5.28	-	-	10.71 ( 3.50 - 12.40 )	3.05 ( 0.91 - 4.33 )	13.41	99
18+20+42+42	1.53	1.70	3.58	3.58	-	-	10.39 ( 3.50 - 12.10 )	2.92 ( 0.91 - 4.19 )	12.84	99
18+20+42+50	1.45	1.62	3.39	4.04	-	-	10.50 ( 3.50 - 12.30 )	2.98 ( 0.91 - 4.28 )	13.09	99
18+20+42+60	1.38	1.53	3.21	4.59	-	-	10.71 ( 3.50 - 12.40 )	3.05 ( 0.91 - 4.33 )	13.38	99
18+20+42+71	1.28	1.42	2.98	5.03	-	-	10.71 ( 3.50 - 12.40 )	3.07 ( 0.91 - 4.33 )	13.47	99
18+20+50+50	1.40	1.55	3.88	3.88	-	-	10.71 ( 3.50 - 12.40 )	3.04 ( 0.91 - 4.33 )	13.34	99
18+20+50+60	1.30	1.45	3.61	4.34	-	-	10.70 ( 3.50 - 12.40 )	3.06 ( 0.91 - 4.33 )	13.45	99
18+20+50+71	1.22	1.36	3.40	4.82	-	-	10.80 ( 3.50 - 12.50 )	3.07 ( 0.91 - 4.40 )	13.49	99
18+20+60+60	1.23	1.37	4.10	4.10	-	-	10.80 ( 3.50 - 12.50 )	3.07 ( 0.91 - 4.40 )	13.49	99
18+20+60+71	1.15	1.28	3.83	4.54	-	-	10.80 ( 3.50 - 12.50 )	3.16 ( 0.91 - 4.40 )	13.87	99
18+20+71+71	1.08	1.20	4.26	4.26	-	-	10.80 ( 3.50 - 12.50 )	3.64 ( 0.91 - 4.40 )	15.97	99
18+22+22+22	1.80	2.20	2.20	2.20	-	-	8.40 ( 3.40 - 10.80 )	2.11 ( 0.93 - 4.10 )	9.26	99
18+22+22+25	1.80	2.20	2.20	2.50	-	-	8.70 ( 3.50 - 11.00 )	2.16 ( 0.92 - 3.85 )	9.50	99
18+22+22+35	1.80	2.20	2.20	3.50	-	-	9.70 ( 3.50 - 11.60 )	2.55 ( 0.91 - 4.00 )	11.21	99
18+22+22+42	1.75	2.14	2.14	4.08	-	-	10.11 ( 3.50 - 11.90 )	2.80 ( 0.91 - 4.10 )	12.32	99
18+22+22+50	1.64	2.00	2.00	4.55	-	-	10.19 ( 3.50 - 12.00 )	2.86 ( 0.91 - 4.14 )	12.55	99
18+22+22+60	1.53	1.88	1.88	5.11	-	-	10.40 ( 3.50 - 12.10 )	2.92 ( 0.91 - 4.19 )	12.84	99
18+22+22+71	1.43	1.75	1.75	5.66	-	-	10.59 ( 3.50 - 12.30 )	3.00 ( 0.91 - 4.28 )	13.18	99
18+22+25+25	1.80	2.20	2.50	2.50	-	-	9.00 ( 3.50 - 11.10 )	2.22 ( 0.91 - 3.88 )	9.74	99
18+22+25+35	1.80	2.20	2.50	3.50	-	-	10.00 ( 3.50 - 11.80 )	2.70 ( 0.91 - 4.05 )	11.84	99

# MXZ-6D122VA COOLING

Indoor units combination	Cooling Capacity (kW)						Outdoor unit power consumption (kW)	Current (A)	Power factor (%)	
	Unit A	Unit B	Unit C	Unit D	Unit E	Unit F				Total
18+22+25+42	1.70	2.08	2.36	3.96	-	-	10.10 ( 3.50 - 11.90 )	2.82 ( 0.91 - 4.10 )	12.40	99
18+22+25+50	1.61	1.97	2.24	4.48	-	-	10.30 ( 3.50 - 12.00 )	2.88 ( 0.91 - 4.14 )	12.64	99
18+22+25+60	1.50	1.83	2.08	4.99	-	-	10.40 ( 3.50 - 12.20 )	2.94 ( 0.91 - 4.24 )	12.93	99
18+22+25+71	1.40	1.71	1.95	5.53	-	-	10.59 ( 3.50 - 12.30 )	3.02 ( 0.91 - 4.28 )	13.28	99
18+22+35+35	1.67	2.04	3.25	3.25	-	-	10.21 ( 3.50 - 12.00 )	2.84 ( 0.91 - 4.14 )	12.49	99
18+22+35+42	1.58	1.94	3.08	3.70	-	-	10.30 ( 3.50 - 12.10 )	2.89 ( 0.91 - 4.19 )	12.69	99
18+22+35+50	1.50	1.83	2.91	4.16	-	-	10.40 ( 3.50 - 12.20 )	2.94 ( 0.91 - 4.24 )	12.93	99
18+22+35+60	1.41	1.73	2.75	4.71	-	-	10.60 ( 3.50 - 12.30 )	3.02 ( 0.91 - 4.28 )	13.25	99
18+22+35+71	1.32	1.61	2.57	5.20	-	-	10.70 ( 3.50 - 12.40 )	3.06 ( 0.91 - 4.33 )	13.43	99
18+22+42+42	1.51	1.85	3.52	3.52	-	-	10.40 ( 3.50 - 12.20 )	2.94 ( 0.91 - 4.24 )	12.90	99
18+22+42+50	1.45	1.77	3.37	4.02	-	-	10.61 ( 3.50 - 12.30 )	2.99 ( 0.91 - 4.28 )	13.15	99
18+22+42+60	1.36	1.66	3.16	4.52	-	-	10.70 ( 3.50 - 12.40 )	3.05 ( 0.91 - 4.33 )	13.40	99
18+22+42+71	1.26	1.54	2.94	4.97	-	-	10.71 ( 3.50 - 12.40 )	3.07 ( 0.91 - 4.33 )	13.49	99
18+22+50+50	1.38	1.68	3.82	3.82	-	-	10.70 ( 3.50 - 12.40 )	3.05 ( 0.91 - 4.33 )	13.38	99
18+22+50+60	1.28	1.57	3.57	4.28	-	-	10.70 ( 3.50 - 12.40 )	3.07 ( 0.91 - 4.33 )	13.46	99
18+22+50+71	1.21	1.48	3.35	4.76	-	-	10.80 ( 3.50 - 12.50 )	3.07 ( 0.91 - 4.40 )	13.49	99
18+22+60+60	1.22	1.49	4.05	4.05	-	-	10.81 ( 3.50 - 12.50 )	3.07 ( 0.91 - 4.40 )	13.49	99
18+22+60+71	1.14	1.39	3.79	4.48	-	-	10.80 ( 3.50 - 12.50 )	3.25 ( 0.91 - 4.40 )	14.26	99
18+25+25+25	1.80	2.50	2.50	2.50	-	-	9.30 ( 3.50 - 11.60 )	2.36 ( 0.91 - 4.00 )	10.37	99
18+25+25+35	1.76	2.44	2.44	3.42	-	-	10.06 ( 3.50 - 11.90 )	2.80 ( 0.91 - 4.10 )	12.28	99
18+25+25+42	1.67	2.32	2.32	3.89	-	-	10.20 ( 3.50 - 12.00 )	2.84 ( 0.91 - 4.14 )	12.49	99
18+25+25+50	1.57	2.18	2.18	4.36	-	-	10.29 ( 3.50 - 12.10 )	2.90 ( 0.91 - 4.19 )	12.72	99
18+25+25+60	1.48	2.05	2.05	4.92	-	-	10.50 ( 3.50 - 12.20 )	2.97 ( 0.91 - 4.24 )	13.02	99
18+25+25+71	1.39	1.92	1.92	5.47	-	-	10.70 ( 3.50 - 12.40 )	3.05 ( 0.91 - 4.33 )	13.37	99
18+25+35+35	1.62	2.26	3.16	3.16	-	-	10.20 ( 3.50 - 12.10 )	2.86 ( 0.91 - 4.19 )	12.58	99
18+25+35+42	1.56	2.17	3.03	3.64	-	-	10.40 ( 3.50 - 12.10 )	2.91 ( 0.91 - 4.19 )	12.78	99
18+25+35+50	1.48	2.05	2.87	4.10	-	-	10.50 ( 3.50 - 12.20 )	2.97 ( 0.91 - 4.24 )	13.02	99
18+25+35+60	1.40	1.94	2.71	4.65	-	-	10.70 ( 3.50 - 12.40 )	3.04 ( 0.91 - 4.33 )	13.34	99
18+25+35+71	1.29	1.80	2.51	5.10	-	-	10.70 ( 3.50 - 12.40 )	3.06 ( 0.91 - 4.33 )	13.45	99
18+25+42+42	1.49	2.07	3.47	3.47	-	-	10.50 ( 3.50 - 12.20 )	2.96 ( 0.91 - 4.24 )	12.99	99
18+25+42+50	1.41	1.96	3.30	3.93	-	-	10.60 ( 3.50 - 12.30 )	3.02 ( 0.91 - 4.28 )	13.25	99
18+25+42+60	1.33	1.84	3.10	4.43	-	-	10.70 ( 3.50 - 12.40 )	3.06 ( 0.91 - 4.33 )	13.42	99
18+25+42+71	1.25	1.73	2.91	4.92	-	-	10.81 ( 3.50 - 12.50 )	3.07 ( 0.91 - 4.40 )	13.49	99
18+25+50+50	1.35	1.87	3.74	3.74	-	-	10.70 ( 3.50 - 12.40 )	3.05 ( 0.91 - 4.33 )	13.41	99
18+25+50+60	1.26	1.75	3.50	4.20	-	-	10.71 ( 3.50 - 12.40 )	3.07 ( 0.91 - 4.33 )	13.49	99
18+25+50+71	1.19	1.65	3.29	4.68	-	-	10.81 ( 3.50 - 12.50 )	3.07 ( 0.91 - 4.40 )	13.49	99

# MXZ-6D122VA COOLING

Indoor units combination	Cooling Capacity (kW)							Outdoor unit power consumption (kW)	Current (A)	Power factor (%)
	Unit A	Unit B	Unit C	Unit D	Unit E	Unit F	Total			
18+25+60+60	1.19	1.66	3.98	3.98	-	-	10.81 ( 3.50 - 12.50 )	3.07 ( 0.91 - 4.40 )	13.49	99
18+25+60+71	1.12	1.55	3.72	4.41	-	-	10.80 ( 3.50 - 12.50 )	3.38 ( 0.91 - 4.40 )	14.83	99
18+35+35+35	1.52	2.96	2.96	2.96	-	-	10.40 ( 3.50 - 12.10 )	2.93 ( 0.91 - 4.19 )	12.87	99
18+35+35+42	1.45	2.83	2.83	3.39	-	-	10.50 ( 3.50 - 12.30 )	2.98 ( 0.91 - 4.28 )	13.09	99
18+35+35+50	1.40	2.71	2.71	3.88	-	-	10.70 ( 3.50 - 12.40 )	3.04 ( 0.91 - 4.33 )	13.34	99
18+35+35+60	1.30	2.53	2.53	4.34	-	-	10.70 ( 3.50 - 12.40 )	3.06 ( 0.91 - 4.33 )	13.45	99
18+35+35+71	1.22	2.38	2.38	4.82	-	-	10.80 ( 3.50 - 12.50 )	3.07 ( 0.91 - 4.40 )	13.49	99
18+35+42+42	1.39	2.71	3.25	3.25	-	-	10.60 ( 3.50 - 12.40 )	3.03 ( 0.91 - 4.33 )	13.31	99
18+35+42+50	1.33	2.58	3.10	3.69	-	-	10.70 ( 3.50 - 12.40 )	3.06 ( 0.91 - 4.33 )	13.42	99
18+35+42+60	1.25	2.44	2.93	4.18	-	-	10.80 ( 3.50 - 12.50 )	3.07 ( 0.91 - 4.40 )	13.49	99
18+35+42+71	1.17	2.28	2.73	4.62	-	-	10.80 ( 3.50 - 12.50 )	3.07 ( 0.91 - 4.40 )	13.49	99
18+35+50+50	1.26	2.45	3.50	3.50	-	-	10.71 ( 3.50 - 12.40 )	3.07 ( 0.91 - 4.33 )	13.49	99
18+35+50+60	1.19	2.32	3.31	3.98	-	-	10.80 ( 3.50 - 12.50 )	3.07 ( 0.91 - 4.40 )	13.49	99
18+35+50+71	1.12	2.17	3.10	4.41	-	-	10.80 ( 3.50 - 12.50 )	3.38 ( 0.91 - 4.40 )	14.83	99
18+35+60+60	1.12	2.18	3.75	3.75	-	-	10.80 ( 3.50 - 12.50 )	3.33 ( 0.91 - 4.40 )	14.64	99
18+42+42+42	1.34	3.12	3.12	3.12	-	-	10.70 ( 3.50 - 12.40 )	3.05 ( 0.91 - 4.33 )	13.41	99
18+42+42+50	1.27	2.96	2.96	3.52	-	-	10.71 ( 3.50 - 12.40 )	3.07 ( 0.91 - 4.33 )	13.48	99
18+42+42+60	1.20	2.80	2.80	4.00	-	-	10.80 ( 3.50 - 12.50 )	3.07 ( 0.91 - 4.40 )	13.49	99
18+42+42+71	1.12	2.62	2.62	4.43	-	-	10.79 ( 3.50 - 12.50 )	3.33 ( 0.91 - 4.40 )	14.64	99
18+42+50+50	1.22	2.84	3.38	3.38	-	-	10.82 ( 3.50 - 12.50 )	3.07 ( 0.91 - 4.40 )	13.49	99
18+42+50+60	1.14	2.67	3.18	3.81	-	-	10.80 ( 3.50 - 12.50 )	3.20 ( 0.91 - 4.40 )	14.07	99
18+42+60+60	1.08	2.52	3.60	3.60	-	-	10.80 ( 3.50 - 12.50 )	3.64 ( 0.91 - 4.40 )	15.97	99
18+50+50+50	1.16	3.21	3.21	3.21	-	-	10.79 ( 3.50 - 12.50 )	3.12 ( 0.91 - 4.40 )	13.69	99
18+50+50+60	1.09	3.03	3.03	3.64	-	-	10.79 ( 3.50 - 12.50 )	3.55 ( 0.91 - 4.40 )	15.59	99
20+20+20+20	2.00	2.00	2.00	2.00	-	-	8.00 ( 3.30 - 10.60 )	2.04 ( 0.96 - 4.34 )	8.94	99
20+20+20+22	2.00	2.00	2.00	2.20	-	-	8.20 ( 3.40 - 10.70 )	2.07 ( 0.95 - 4.22 )	9.10	99
20+20+20+25	2.00	2.00	2.00	2.50	-	-	8.50 ( 3.40 - 10.90 )	2.13 ( 0.93 - 3.97 )	9.34	99
20+20+20+35	2.00	2.00	2.00	3.50	-	-	9.50 ( 3.50 - 11.50 )	2.46 ( 0.91 - 3.98 )	10.79	99
20+20+20+42	1.96	1.96	1.96	4.12	-	-	10.00 ( 3.50 - 11.80 )	2.79 ( 0.91 - 4.05 )	12.26	99
20+20+20+50	1.85	1.85	1.85	4.64	-	-	10.19 ( 3.50 - 12.00 )	2.84 ( 0.91 - 4.14 )	12.49	99
20+20+20+60	1.73	1.73	1.73	5.20	-	-	10.39 ( 3.50 - 12.10 )	2.91 ( 0.91 - 4.19 )	12.78	99
20+20+20+71	1.60	1.60	1.60	5.69	-	-	10.49 ( 3.50 - 12.30 )	2.99 ( 0.91 - 4.28 )	13.12	99
20+20+22+22	2.00	2.00	2.20	2.20	-	-	8.40 ( 3.40 - 10.80 )	2.11 ( 0.93 - 4.10 )	9.26	99
20+20+22+25	2.00	2.00	2.20	2.50	-	-	8.70 ( 3.50 - 11.00 )	2.16 ( 0.92 - 3.85 )	9.50	99
20+20+22+35	2.00	2.00	2.20	3.50	-	-	9.70 ( 3.50 - 11.60 )	2.55 ( 0.91 - 4.00 )	11.21	99
20+20+22+42	1.94	1.94	2.14	4.08	-	-	10.10 ( 3.50 - 11.90 )	2.80 ( 0.91 - 4.10 )	12.32	99

# MXZ-6D122VA COOLING

Indoor units combination	Cooling Capacity (kW)						Outdoor unit power consumption (kW)	Current (A)	Power factor (%)	
	Unit A	Unit B	Unit C	Unit D	Unit E	Unit F				Total
20+20+22+50	1.82	1.82	2.00	4.55	-	-	10.19 ( 3.50 - 12.00 )	2.86 ( 0.91 - 4.14 )	12.55	99
20+20+22+60	1.70	1.70	1.88	5.11	-	-	10.39 ( 3.50 - 12.10 )	2.92 ( 0.91 - 4.19 )	12.84	99
20+20+22+71	1.59	1.59	1.75	5.66	-	-	10.59 ( 3.50 - 12.30 )	3.00 ( 0.91 - 4.28 )	13.18	99
20+20+25+25	2.00	2.00	2.50	2.50	-	-	9.00 ( 3.50 - 11.10 )	2.22 ( 0.91 - 3.88 )	9.74	99
20+20+25+35	2.00	2.00	2.50	3.50	-	-	10.00 ( 3.50 - 11.80 )	2.70 ( 0.91 - 4.05 )	11.84	99
20+20+25+42	1.89	1.89	2.36	3.96	-	-	10.10 ( 3.50 - 11.90 )	2.82 ( 0.91 - 4.10 )	12.40	99
20+20+25+50	1.79	1.79	2.24	4.48	-	-	10.30 ( 3.50 - 12.00 )	2.88 ( 0.91 - 4.14 )	12.64	99
20+20+25+60	1.66	1.66	2.08	4.99	-	-	10.39 ( 3.50 - 12.20 )	2.94 ( 0.91 - 4.24 )	12.93	99
20+20+25+71	1.56	1.56	1.95	5.53	-	-	10.60 ( 3.50 - 12.30 )	3.02 ( 0.91 - 4.28 )	13.28	99
20+20+35+35	1.85	1.85	3.25	3.25	-	-	10.20 ( 3.50 - 12.00 )	2.84 ( 0.91 - 4.14 )	12.49	99
20+20+35+42	1.76	1.76	3.08	3.70	-	-	10.30 ( 3.50 - 12.10 )	2.89 ( 0.91 - 4.19 )	12.69	99
20+20+35+50	1.66	1.66	2.91	4.16	-	-	10.39 ( 3.50 - 12.20 )	2.94 ( 0.91 - 4.24 )	12.93	99
20+20+35+60	1.57	1.57	2.75	4.71	-	-	10.60 ( 3.50 - 12.30 )	3.02 ( 0.91 - 4.28 )	13.25	99
20+20+35+71	1.47	1.47	2.57	5.20	-	-	10.71 ( 3.50 - 12.40 )	3.06 ( 0.91 - 4.33 )	13.43	99
20+20+42+42	1.68	1.68	3.52	3.52	-	-	10.40 ( 3.50 - 12.20 )	2.94 ( 0.91 - 4.24 )	12.90	99
20+20+42+50	1.61	1.61	3.37	4.02	-	-	10.61 ( 3.50 - 12.30 )	2.99 ( 0.91 - 4.28 )	13.15	99
20+20+42+60	1.51	1.51	3.16	4.52	-	-	10.70 ( 3.50 - 12.40 )	3.05 ( 0.91 - 4.33 )	13.40	99
20+20+42+71	1.40	1.40	2.94	4.97	-	-	10.71 ( 3.50 - 12.40 )	3.07 ( 0.91 - 4.33 )	13.49	99
20+20+50+50	1.53	1.53	3.82	3.82	-	-	10.70 ( 3.50 - 12.40 )	3.05 ( 0.91 - 4.33 )	13.38	99
20+20+50+60	1.43	1.43	3.57	4.28	-	-	10.71 ( 3.50 - 12.40 )	3.07 ( 0.91 - 4.33 )	13.46	99
20+20+50+71	1.34	1.34	3.35	4.76	-	-	10.79 ( 3.50 - 12.50 )	3.07 ( 0.91 - 4.40 )	13.49	99
20+20+60+60	1.35	1.35	4.05	4.05	-	-	10.80 ( 3.50 - 12.50 )	3.07 ( 0.91 - 4.40 )	13.49	99
20+20+60+71	1.26	1.26	3.79	4.48	-	-	10.79 ( 3.50 - 12.50 )	3.25 ( 0.91 - 4.40 )	14.26	99
20+22+22+22	2.00	2.20	2.20	2.20	-	-	8.60 ( 3.50 - 10.90 )	2.15 ( 0.92 - 3.97 )	9.42	99
20+22+22+25	2.00	2.20	2.20	2.50	-	-	8.90 ( 3.50 - 11.10 )	2.20 ( 0.91 - 3.88 )	9.66	99
20+22+22+35	2.00	2.20	2.20	3.50	-	-	9.90 ( 3.50 - 11.70 )	2.65 ( 0.91 - 4.03 )	11.63	99
20+22+22+42	1.91	2.10	2.10	4.00	-	-	10.11 ( 3.50 - 11.90 )	2.82 ( 0.91 - 4.10 )	12.37	99
20+22+22+50	1.79	1.97	1.97	4.47	-	-	10.20 ( 3.50 - 12.00 )	2.87 ( 0.91 - 4.14 )	12.60	99
20+22+22+60	1.68	1.85	1.85	5.03	-	-	10.41 ( 3.50 - 12.20 )	2.94 ( 0.91 - 4.24 )	12.90	99
20+22+22+71	1.57	1.73	1.73	5.57	-	-	10.60 ( 3.50 - 12.30 )	3.02 ( 0.91 - 4.28 )	13.25	99
20+22+25+25	2.00	2.20	2.50	2.50	-	-	9.20 ( 3.50 - 11.30 )	2.31 ( 0.91 - 3.93 )	10.16	99
20+22+25+35	1.96	2.16	2.45	3.43	-	-	10.00 ( 3.50 - 11.80 )	2.79 ( 0.91 - 4.05 )	12.26	99
20+22+25+42	1.87	2.06	2.34	3.93	-	-	10.20 ( 3.50 - 11.90 )	2.84 ( 0.91 - 4.10 )	12.46	99
20+22+25+50	1.76	1.94	2.20	4.40	-	-	10.30 ( 3.50 - 12.10 )	2.89 ( 0.91 - 4.19 )	12.69	99
20+22+25+60	1.65	1.82	2.07	4.96	-	-	10.50 ( 3.50 - 12.20 )	2.96 ( 0.91 - 4.24 )	12.99	99
20+22+25+71	1.55	1.71	1.94	5.51	-	-	10.71 ( 3.50 - 12.40 )	3.04 ( 0.91 - 4.33 )	13.34	99

# MXZ-6D122VA COOLING

Indoor units combination	Cooling Capacity (kW)						Outdoor unit power consumption (kW)	Current (A)	Power factor (%)	
	Unit A	Unit B	Unit C	Unit D	Unit E	Unit F				Total
20+22+35+35	1.82	2.00	3.19	3.19	-	-	10.20 ( 3.50 - 12.00 )	2.86 ( 0.91 - 4.14 )	12.55	99
20+22+35+42	1.73	1.90	3.03	3.64	-	-	10.30 ( 3.50 - 12.10 )	2.90 ( 0.91 - 4.19 )	12.75	99
20+22+35+50	1.65	1.82	2.89	4.13	-	-	10.49 ( 3.50 - 12.20 )	2.96 ( 0.91 - 4.24 )	12.99	99
20+22+35+60	1.55	1.70	2.71	4.64	-	-	10.60 ( 3.50 - 12.40 )	3.03 ( 0.91 - 4.33 )	13.31	99
20+22+35+71	1.45	1.59	2.53	5.13	-	-	10.70 ( 3.50 - 12.40 )	3.06 ( 0.91 - 4.33 )	13.45	99
20+22+42+42	1.67	1.83	3.50	3.50	-	-	10.50 ( 3.50 - 12.20 )	2.95 ( 0.91 - 4.24 )	12.96	99
20+22+42+50	1.58	1.74	3.32	3.96	-	-	10.60 ( 3.50 - 12.30 )	3.01 ( 0.91 - 4.28 )	13.22	99
20+22+42+60	1.49	1.63	3.12	4.46	-	-	10.70 ( 3.50 - 12.40 )	3.05 ( 0.91 - 4.33 )	13.41	99
20+22+42+71	1.39	1.53	2.93	4.95	-	-	10.80 ( 3.50 - 12.50 )	3.07 ( 0.91 - 4.40 )	13.49	99
20+22+50+50	1.51	1.66	3.77	3.77	-	-	10.71 ( 3.50 - 12.40 )	3.05 ( 0.91 - 4.33 )	13.40	99
20+22+50+60	1.41	1.55	3.52	4.22	-	-	10.70 ( 3.50 - 12.40 )	3.07 ( 0.91 - 4.33 )	13.48	99
20+22+50+71	1.33	1.46	3.31	4.70	-	-	10.80 ( 3.50 - 12.50 )	3.07 ( 0.91 - 4.40 )	13.49	99
20+22+60+60	1.33	1.47	4.00	4.00	-	-	10.80 ( 3.50 - 12.50 )	3.07 ( 0.91 - 4.40 )	13.49	99
20+22+60+71	1.25	1.37	3.75	4.43	-	-	10.80 ( 3.50 - 12.50 )	3.33 ( 0.91 - 4.40 )	14.64	99
20+25+25+25	2.00	2.50	2.50	2.50	-	-	9.50 ( 3.50 - 11.50 )	2.46 ( 0.91 - 3.98 )	10.79	99
20+25+25+35	1.92	2.40	2.40	3.37	-	-	10.09 ( 3.50 - 11.90 )	2.81 ( 0.91 - 4.10 )	12.34	99
20+25+25+42	1.82	2.28	2.28	3.83	-	-	10.21 ( 3.50 - 12.00 )	2.86 ( 0.91 - 4.14 )	12.55	99
20+25+25+50	1.73	2.17	2.17	4.33	-	-	10.40 ( 3.50 - 12.10 )	2.91 ( 0.91 - 4.19 )	12.78	99
20+25+25+60	1.62	2.02	2.02	4.85	-	-	10.51 ( 3.50 - 12.30 )	2.98 ( 0.91 - 4.28 )	13.09	99
20+25+25+71	1.52	1.90	1.90	5.39	-	-	10.71 ( 3.50 - 12.40 )	3.05 ( 0.91 - 4.33 )	13.39	99
20+25+35+35	1.79	2.24	3.13	3.13	-	-	10.29 ( 3.50 - 12.00 )	2.88 ( 0.91 - 4.14 )	12.64	99
20+25+35+42	1.70	2.13	2.98	3.58	-	-	10.39 ( 3.50 - 12.10 )	2.92 ( 0.91 - 4.19 )	12.84	99
20+25+35+50	1.62	2.02	2.83	4.04	-	-	10.51 ( 3.50 - 12.30 )	2.98 ( 0.91 - 4.28 )	13.09	99
20+25+35+60	1.53	1.91	2.68	4.59	-	-	10.71 ( 3.50 - 12.40 )	3.05 ( 0.91 - 4.33 )	13.38	99
20+25+35+71	1.42	1.77	2.48	5.03	-	-	10.70 ( 3.50 - 12.40 )	3.07 ( 0.91 - 4.33 )	13.47	99
20+25+42+42	1.63	2.03	3.42	3.42	-	-	10.50 ( 3.50 - 12.20 )	2.97 ( 0.91 - 4.24 )	13.06	99
20+25+42+50	1.55	1.93	3.25	3.87	-	-	10.60 ( 3.50 - 12.40 )	3.03 ( 0.91 - 4.33 )	13.31	99
20+25+42+60	1.46	1.82	3.06	4.37	-	-	10.71 ( 3.50 - 12.40 )	3.06 ( 0.91 - 4.33 )	13.44	99
20+25+42+71	1.37	1.71	2.87	4.85	-	-	10.80 ( 3.50 - 12.50 )	3.07 ( 0.91 - 4.40 )	13.49	99
20+25+50+50	1.48	1.84	3.69	3.69	-	-	10.70 ( 3.50 - 12.40 )	3.06 ( 0.91 - 4.33 )	13.42	99
20+25+50+60	1.39	1.74	3.48	4.18	-	-	10.79 ( 3.50 - 12.50 )	3.07 ( 0.91 - 4.40 )	13.49	99
20+25+50+71	1.30	1.63	3.25	4.62	-	-	10.80 ( 3.50 - 12.50 )	3.07 ( 0.91 - 4.40 )	13.49	99
20+25+60+60	1.31	1.64	3.93	3.93	-	-	10.81 ( 3.50 - 12.50 )	3.07 ( 0.91 - 4.40 )	13.49	99
20+25+60+71	1.23	1.53	3.68	4.36	-	-	10.80 ( 3.50 - 12.50 )	3.46 ( 0.91 - 4.40 )	15.21	99
20+35+35+35	1.66	2.91	2.91	2.91	-	-	10.39 ( 3.50 - 12.20 )	2.94 ( 0.91 - 4.24 )	12.93	99
20+35+35+42	1.61	2.81	2.81	3.37	-	-	10.60 ( 3.50 - 12.30 )	2.99 ( 0.91 - 4.28 )	13.15	99

# MXZ-6D122VA COOLING

Indoor units combination	Cooling Capacity (kW)							Outdoor unit power consumption (kW)	Current (A)	Power factor (%)
	Unit A	Unit B	Unit C	Unit D	Unit E	Unit F	Total			
20+35+35+50	1.53	2.68	2.68	3.82	-	-	10.71 ( 3.50 - 12.40 )	3.05 ( 0.91 - 4.33 )	13.38	99
20+35+35+60	1.43	2.50	2.50	4.28	-	-	10.71 ( 3.50 - 12.40 )	3.07 ( 0.91 - 4.33 )	13.46	99
20+35+35+71	1.34	2.35	2.35	4.76	-	-	10.80 ( 3.50 - 12.50 )	3.07 ( 0.91 - 4.40 )	13.49	99
20+35+42+42	1.54	2.69	3.23	3.23	-	-	10.69 ( 3.50 - 12.40 )	3.05 ( 0.91 - 4.33 )	13.37	99
20+35+42+50	1.46	2.55	3.06	3.64	-	-	10.71 ( 3.50 - 12.40 )	3.06 ( 0.91 - 4.33 )	13.44	99
20+35+42+60	1.38	2.41	2.89	4.13	-	-	10.81 ( 3.50 - 12.50 )	3.07 ( 0.91 - 4.40 )	13.49	99
20+35+42+71	1.29	2.25	2.70	4.56	-	-	10.80 ( 3.50 - 12.50 )	3.12 ( 0.91 - 4.40 )	13.69	99
20+35+50+50	1.39	2.44	3.48	3.48	-	-	10.79 ( 3.50 - 12.50 )	3.07 ( 0.91 - 4.40 )	13.49	99
20+35+50+60	1.31	2.29	3.27	3.93	-	-	10.80 ( 3.50 - 12.50 )	3.07 ( 0.91 - 4.40 )	13.49	99
20+35+50+71	1.23	2.15	3.07	4.36	-	-	10.81 ( 3.50 - 12.50 )	3.46 ( 0.91 - 4.40 )	15.21	99
20+35+60+60	1.23	2.16	3.70	3.70	-	-	10.79 ( 3.50 - 12.50 )	3.42 ( 0.91 - 4.40 )	15.02	99
20+42+42+42	1.47	3.08	3.08	3.08	-	-	10.71 ( 3.50 - 12.40 )	3.06 ( 0.91 - 4.33 )	13.43	99
20+42+42+50	1.40	2.95	2.95	3.51	-	-	10.81 ( 3.50 - 12.50 )	3.07 ( 0.91 - 4.40 )	13.49	99
20+42+42+60	1.32	2.77	2.77	3.95	-	-	10.81 ( 3.50 - 12.50 )	3.07 ( 0.91 - 4.40 )	13.49	99
20+42+42+71	1.23	2.59	2.59	4.38	-	-	10.79 ( 3.50 - 12.50 )	3.42 ( 0.91 - 4.40 )	15.02	99
20+42+50+50	1.33	2.80	3.33	3.33	-	-	10.79 ( 3.50 - 12.50 )	3.07 ( 0.91 - 4.40 )	13.49	99
20+42+50+60	1.26	2.64	3.14	3.77	-	-	10.81 ( 3.50 - 12.50 )	3.29 ( 0.91 - 4.40 )	14.44	99
20+50+50+50	1.27	3.18	3.18	3.18	-	-	10.81 ( 3.50 - 12.50 )	3.20 ( 0.91 - 4.40 )	14.07	99
20+50+50+60	1.20	3.00	3.00	3.60	-	-	10.80 ( 3.50 - 12.50 )	3.64 ( 0.91 - 4.40 )	15.97	99
22+22+22+22	2.20	2.20	2.20	2.20	-	-	8.80 ( 3.50 - 11.00 )	2.18 ( 0.91 - 3.85 )	9.58	99
22+22+22+25	2.20	2.20	2.20	2.50	-	-	9.10 ( 3.50 - 11.20 )	2.27 ( 0.91 - 3.90 )	9.95	99
22+22+22+35	2.18	2.18	2.18	3.47	-	-	10.01 ( 3.50 - 11.80 )	2.74 ( 0.91 - 4.05 )	12.05	99
22+22+22+42	2.06	2.06	2.06	3.93	-	-	10.11 ( 3.50 - 11.90 )	2.83 ( 0.91 - 4.10 )	12.43	99
22+22+22+50	1.95	1.95	1.95	4.44	-	-	10.29 ( 3.50 - 12.00 )	2.88 ( 0.91 - 4.14 )	12.66	99
22+22+22+60	1.83	1.83	1.83	5.00	-	-	10.49 ( 3.50 - 12.20 )	2.95 ( 0.91 - 4.24 )	12.96	99
22+22+22+71	1.70	1.70	1.70	5.49	-	-	10.59 ( 3.50 - 12.40 )	3.03 ( 0.91 - 4.33 )	13.31	99
22+22+25+25	2.20	2.20	2.50	2.50	-	-	9.40 ( 3.50 - 11.40 )	2.41 ( 0.91 - 3.95 )	10.58	99
22+22+25+35	2.14	2.14	2.43	3.40	-	-	10.11 ( 3.50 - 11.90 )	2.80 ( 0.91 - 4.10 )	12.32	99
22+22+25+42	2.02	2.02	2.30	3.86	-	-	10.20 ( 3.50 - 12.00 )	2.85 ( 0.91 - 4.14 )	12.52	99
22+22+25+50	1.90	1.90	2.16	4.33	-	-	10.29 ( 3.50 - 12.10 )	2.90 ( 0.91 - 4.19 )	12.75	99
22+22+25+60	1.79	1.79	2.03	4.88	-	-	10.49 ( 3.50 - 12.20 )	2.97 ( 0.91 - 4.24 )	13.06	99
22+22+25+71	1.68	1.68	1.91	5.43	-	-	10.70 ( 3.50 - 12.40 )	3.05 ( 0.91 - 4.33 )	13.38	99
22+22+35+35	1.97	1.97	3.13	3.13	-	-	10.20 ( 3.50 - 12.00 )	2.87 ( 0.91 - 4.14 )	12.60	99
22+22+35+42	1.89	1.89	3.01	3.61	-	-	10.40 ( 3.50 - 12.10 )	2.92 ( 0.91 - 4.19 )	12.81	99
22+22+35+50	1.79	1.79	2.85	4.07	-	-	10.50 ( 3.50 - 12.20 )	2.97 ( 0.91 - 4.24 )	13.06	99
22+22+35+60	1.69	1.69	2.69	4.62	-	-	10.69 ( 3.50 - 12.40 )	3.05 ( 0.91 - 4.33 )	13.37	99

# MXZ-6D122VA COOLING

Indoor units combination	Cooling Capacity (kW)						Outdoor unit power consumption (kW)	Current (A)	Power factor (%)	
	Unit A	Unit B	Unit C	Unit D	Unit E	Unit F				Total
22+22+35+71	1.57	1.57	2.50	5.06	-	-	10.70 ( 3.50 - 12.40 )	3.07 ( 0.91 - 4.33 )	13.46	99
22+22+42+42	1.80	1.80	3.45	3.45	-	-	10.50 ( 3.50 - 12.20 )	2.97 ( 0.91 - 4.24 )	13.02	99
22+22+42+50	1.71	1.71	3.27	3.90	-	-	10.59 ( 3.50 - 12.30 )	3.02 ( 0.91 - 4.28 )	13.28	99
22+22+42+60	1.61	1.61	3.08	4.40	-	-	10.70 ( 3.50 - 12.40 )	3.06 ( 0.91 - 4.33 )	13.43	99
22+22+42+71	1.51	1.51	2.89	4.88	-	-	10.79 ( 3.50 - 12.50 )	3.07 ( 0.91 - 4.40 )	13.49	99
22+22+50+50	1.63	1.63	3.72	3.72	-	-	10.70 ( 3.50 - 12.40 )	3.05 ( 0.91 - 4.33 )	13.41	99
22+22+50+60	1.54	1.54	3.51	4.21	-	-	10.80 ( 3.50 - 12.50 )	3.07 ( 0.91 - 4.40 )	13.49	99
22+22+50+71	1.44	1.44	3.27	4.65	-	-	10.80 ( 3.50 - 12.50 )	3.07 ( 0.91 - 4.40 )	13.49	99
22+22+60+60	1.45	1.45	3.95	3.95	-	-	10.80 ( 3.50 - 12.50 )	3.07 ( 0.91 - 4.40 )	13.49	99
22+22+60+71	1.36	1.36	3.70	4.38	-	-	10.80 ( 3.50 - 12.50 )	3.42 ( 0.91 - 4.40 )	15.02	99
22+25+25+25	2.20	2.50	2.50	2.50	-	-	9.70 ( 3.50 - 11.60 )	2.55 ( 0.91 - 4.00 )	11.21	99
22+25+25+35	2.08	2.36	2.36	3.30	-	-	10.10 ( 3.50 - 11.90 )	2.82 ( 0.91 - 4.10 )	12.40	99
22+25+25+42	1.97	2.24	2.24	3.76	-	-	10.21 ( 3.50 - 12.00 )	2.87 ( 0.91 - 4.14 )	12.60	99
22+25+25+50	1.88	2.13	2.13	4.26	-	-	10.40 ( 3.50 - 12.10 )	2.92 ( 0.91 - 4.19 )	12.84	99
22+25+25+60	1.77	2.01	2.01	4.82	-	-	10.61 ( 3.50 - 12.30 )	2.99 ( 0.91 - 4.28 )	13.15	99
22+25+25+71	1.65	1.87	1.87	5.31	-	-	10.70 ( 3.50 - 12.40 )	3.05 ( 0.91 - 4.33 )	13.41	99
22+25+35+35	1.94	2.20	3.08	3.08	-	-	10.30 ( 3.50 - 12.10 )	2.89 ( 0.91 - 4.19 )	12.69	99
22+25+35+42	1.85	2.10	2.94	3.52	-	-	10.41 ( 3.50 - 12.20 )	2.94 ( 0.91 - 4.24 )	12.90	99
22+25+35+50	1.77	2.01	2.81	4.02	-	-	10.61 ( 3.50 - 12.30 )	2.99 ( 0.91 - 4.28 )	13.15	99
22+25+35+60	1.66	1.88	2.64	4.52	-	-	10.70 ( 3.50 - 12.40 )	3.05 ( 0.91 - 4.33 )	13.40	99
22+25+35+71	1.54	1.75	2.45	4.97	-	-	10.71 ( 3.50 - 12.40 )	3.07 ( 0.91 - 4.33 )	13.49	99
22+25+42+42	1.76	2.00	3.37	3.37	-	-	10.50 ( 3.50 - 12.30 )	2.99 ( 0.91 - 4.28 )	13.12	99
22+25+42+50	1.69	1.92	3.23	3.85	-	-	10.69 ( 3.50 - 12.40 )	3.05 ( 0.91 - 4.33 )	13.37	99
22+25+42+60	1.58	1.80	3.02	4.31	-	-	10.71 ( 3.50 - 12.40 )	3.06 ( 0.91 - 4.33 )	13.45	99
22+25+42+71	1.49	1.69	2.84	4.79	-	-	10.81 ( 3.50 - 12.50 )	3.07 ( 0.91 - 4.40 )	13.49	99
22+25+50+50	1.60	1.82	3.64	3.64	-	-	10.70 ( 3.50 - 12.40 )	3.06 ( 0.91 - 4.33 )	13.44	99
22+25+50+60	1.51	1.72	3.44	4.13	-	-	10.80 ( 3.50 - 12.50 )	3.07 ( 0.91 - 4.40 )	13.49	99
22+25+50+71	1.41	1.61	3.21	4.56	-	-	10.79 ( 3.50 - 12.50 )	3.12 ( 0.91 - 4.40 )	13.69	99
22+25+60+60	1.42	1.62	3.88	3.88	-	-	10.80 ( 3.50 - 12.50 )	3.07 ( 0.91 - 4.40 )	13.49	99
22+25+60+71	1.33	1.52	3.64	4.31	-	-	10.80 ( 3.50 - 12.50 )	3.55 ( 0.91 - 4.40 )	15.59	99
22+35+35+35	1.82	2.89	2.89	2.89	-	-	10.49 ( 3.50 - 12.20 )	2.96 ( 0.91 - 4.24 )	12.99	99
22+35+35+42	1.74	2.77	2.77	3.32	-	-	10.60 ( 3.50 - 12.30 )	3.01 ( 0.91 - 4.28 )	13.22	99
22+35+35+50	1.66	2.64	2.64	3.77	-	-	10.71 ( 3.50 - 12.40 )	3.05 ( 0.91 - 4.33 )	13.40	99
22+35+35+60	1.55	2.46	2.46	4.22	-	-	10.69 ( 3.50 - 12.40 )	3.07 ( 0.91 - 4.33 )	13.48	99
22+35+35+71	1.46	2.32	2.32	4.70	-	-	10.80 ( 3.50 - 12.50 )	3.07 ( 0.91 - 4.40 )	13.49	99
22+35+42+42	1.67	2.66	3.19	3.19	-	-	10.71 ( 3.50 - 12.40 )	3.05 ( 0.91 - 4.33 )	13.39	99



# MXZ-6D122VA COOLING

Indoor units combination	Cooling Capacity (kW)							Outdoor unit power consumption (kW)	Current (A)	Power factor (%)
	Unit A	Unit B	Unit C	Unit D	Unit E	Unit F	Total			
22+35+42+50	1.58	2.51	3.02	3.59	-	-	10.70 ( 3.50 - 12.40 )	3.06 ( 0.91 - 4.33 )	13.45	99
22+35+42+60	1.49	2.38	2.85	4.08	-	-	10.80 ( 3.50 - 12.50 )	3.07 ( 0.91 - 4.40 )	13.49	99
22+35+42+71	1.40	2.22	2.67	4.51	-	-	10.80 ( 3.50 - 12.50 )	3.20 ( 0.91 - 4.40 )	14.07	99
22+35+50+50	1.51	2.41	3.44	3.44	-	-	10.80 ( 3.50 - 12.50 )	3.07 ( 0.91 - 4.40 )	13.49	99
22+35+50+60	1.42	2.26	3.23	3.88	-	-	10.79 ( 3.50 - 12.50 )	3.07 ( 0.91 - 4.40 )	13.49	99
22+35+50+71	1.33	2.12	3.03	4.31	-	-	10.79 ( 3.50 - 12.50 )	3.55 ( 0.91 - 4.40 )	15.59	99
22+35+60+60	1.34	2.14	3.66	3.66	-	-	10.80 ( 3.50 - 12.50 )	3.51 ( 0.91 - 4.40 )	15.40	99
22+42+42+42	1.59	3.04	3.04	3.04	-	-	10.71 ( 3.50 - 12.40 )	3.06 ( 0.91 - 4.33 )	13.45	99
22+42+42+50	1.52	2.91	2.91	3.46	-	-	10.80 ( 3.50 - 12.50 )	3.07 ( 0.91 - 4.40 )	13.49	99
22+42+42+60	1.43	2.73	2.73	3.90	-	-	10.79 ( 3.50 - 12.50 )	3.07 ( 0.91 - 4.40 )	13.49	99
22+42+42+71	1.34	2.56	2.56	4.33	-	-	10.79 ( 3.50 - 12.50 )	3.51 ( 0.91 - 4.40 )	15.40	99
22+42+50+50	1.45	2.77	3.29	3.29	-	-	10.80 ( 3.50 - 12.50 )	3.07 ( 0.91 - 4.40 )	13.49	99
22+42+50+60	1.37	2.61	3.10	3.72	-	-	10.80 ( 3.50 - 12.50 )	3.38 ( 0.91 - 4.40 )	14.83	99
22+50+50+50	1.38	3.14	3.14	3.14	-	-	10.80 ( 3.50 - 12.50 )	3.29 ( 0.91 - 4.40 )	14.44	99
25+25+25+25	2.50	2.50	2.50	2.50	-	-	10.00 ( 3.50 - 11.80 )	2.70 ( 0.91 - 4.05 )	11.84	99
25+25+25+35	2.32	2.32	2.32	3.25	-	-	10.21 ( 3.50 - 12.00 )	2.84 ( 0.91 - 4.14 )	12.49	99
25+25+25+42	2.20	2.20	2.20	3.70	-	-	10.30 ( 3.50 - 12.10 )	2.89 ( 0.91 - 4.19 )	12.69	99
25+25+25+50	2.08	2.08	2.08	4.16	-	-	10.40 ( 3.50 - 12.20 )	2.94 ( 0.91 - 4.24 )	12.93	99
25+25+25+60	1.96	1.96	1.96	4.71	-	-	10.59 ( 3.50 - 12.30 )	3.02 ( 0.91 - 4.28 )	13.25	99
25+25+25+71	1.83	1.83	1.83	5.20	-	-	10.69 ( 3.50 - 12.40 )	3.06 ( 0.91 - 4.33 )	13.43	99
25+25+35+35	2.17	2.17	3.03	3.03	-	-	10.40 ( 3.50 - 12.10 )	2.91 ( 0.91 - 4.19 )	12.78	99
25+25+35+42	2.07	2.07	2.89	3.47	-	-	10.50 ( 3.50 - 12.20 )	2.96 ( 0.91 - 4.24 )	12.99	99
25+25+35+50	1.96	1.96	2.75	3.93	-	-	10.60 ( 3.50 - 12.30 )	3.02 ( 0.91 - 4.28 )	13.25	99
25+25+35+60	1.84	1.84	2.58	4.43	-	-	10.69 ( 3.50 - 12.40 )	3.06 ( 0.91 - 4.33 )	13.42	99
25+25+35+71	1.73	1.73	2.42	4.92	-	-	10.80 ( 3.50 - 12.50 )	3.07 ( 0.91 - 4.40 )	13.49	99
25+25+42+42	1.98	1.98	3.32	3.32	-	-	10.60 ( 3.50 - 12.30 )	3.01 ( 0.91 - 4.28 )	13.22	99
25+25+42+50	1.88	1.88	3.16	3.77	-	-	10.69 ( 3.50 - 12.40 )	3.05 ( 0.91 - 4.33 )	13.40	99
25+25+42+60	1.76	1.76	2.96	4.22	-	-	10.70 ( 3.50 - 12.40 )	3.07 ( 0.91 - 4.33 )	13.48	99
25+25+42+71	1.66	1.66	2.78	4.70	-	-	10.80 ( 3.50 - 12.50 )	3.07 ( 0.91 - 4.40 )	13.49	99
25+25+50+50	1.78	1.78	3.57	3.57	-	-	10.70 ( 3.50 - 12.40 )	3.07 ( 0.91 - 4.33 )	13.46	99
25+25+50+60	1.69	1.69	3.38	4.05	-	-	10.81 ( 3.50 - 12.50 )	3.07 ( 0.91 - 4.40 )	13.49	99
25+25+50+71	1.58	1.58	3.16	4.48	-	-	10.80 ( 3.50 - 12.50 )	3.25 ( 0.91 - 4.40 )	14.26	99
25+25+60+60	1.59	1.59	3.81	3.81	-	-	10.80 ( 3.50 - 12.50 )	3.20 ( 0.91 - 4.40 )	14.07	99
25+35+35+35	2.02	2.83	2.83	2.83	-	-	10.51 ( 3.50 - 12.30 )	2.98 ( 0.91 - 4.28 )	13.09	99
25+35+35+42	1.93	2.71	2.71	3.25	-	-	10.60 ( 3.50 - 12.40 )	3.03 ( 0.91 - 4.33 )	13.31	99
25+35+35+50	1.84	2.58	2.58	3.69	-	-	10.69 ( 3.50 - 12.40 )	3.06 ( 0.91 - 4.33 )	13.42	99

## MXZ-6D122VA COOLING

Indoor units combination	Cooling Capacity (kW)							Outdoor unit power consumption (kW)	Current (A)	Power factor (%)
	Unit A	Unit B	Unit C	Unit D	Unit E	Unit F	Total			
25+35+35+60	1.74	2.44	2.44	4.18	-	-	10.80 ( 3.50 - 12.50 )	3.07 ( 0.91 - 4.40 )	13.49	99
25+35+35+71	1.63	2.28	2.28	4.62	-	-	10.81 ( 3.50 - 12.50 )	3.07 ( 0.91 - 4.40 )	13.49	99
25+35+42+42	1.86	2.60	3.12	3.12	-	-	10.70 ( 3.50 - 12.40 )	3.05 ( 0.91 - 4.33 )	13.41	99
25+35+42+50	1.76	2.46	2.96	3.52	-	-	10.70 ( 3.50 - 12.40 )	3.07 ( 0.91 - 4.33 )	13.48	99
25+35+42+60	1.67	2.33	2.80	4.00	-	-	10.80 ( 3.50 - 12.50 )	3.07 ( 0.91 - 4.40 )	13.49	99
25+35+42+71	1.56	2.18	2.62	4.43	-	-	10.79 ( 3.50 - 12.50 )	3.33 ( 0.91 - 4.40 )	14.64	99
25+35+50+50	1.69	2.36	3.38	3.38	-	-	10.81 ( 3.50 - 12.50 )	3.07 ( 0.91 - 4.40 )	13.49	99
25+35+50+60	1.59	2.22	3.18	3.81	-	-	10.80 ( 3.50 - 12.50 )	3.20 ( 0.91 - 4.40 )	14.07	99
25+35+60+60	1.50	2.10	3.60	3.60	-	-	10.80 ( 3.50 - 12.50 )	3.64 ( 0.91 - 4.40 )	15.97	99
25+42+42+42	1.77	2.98	2.98	2.98	-	-	10.71 ( 3.50 - 12.40 )	3.07 ( 0.91 - 4.33 )	13.47	99
25+42+42+50	1.70	2.85	2.85	3.40	-	-	10.80 ( 3.50 - 12.50 )	3.07 ( 0.91 - 4.40 )	13.49	99
25+42+42+60	1.60	2.68	2.68	3.83	-	-	10.79 ( 3.50 - 12.50 )	3.16 ( 0.91 - 4.40 )	13.87	99
25+42+42+71	1.50	2.52	2.52	4.26	-	-	10.80 ( 3.50 - 12.50 )	3.64 ( 0.91 - 4.40 )	15.97	99
25+42+50+50	1.62	2.72	3.23	3.23	-	-	10.80 ( 3.50 - 12.50 )	3.07 ( 0.91 - 4.40 )	13.49	99
25+42+50+60	1.53	2.56	3.05	3.66	-	-	10.80 ( 3.50 - 12.50 )	3.51 ( 0.91 - 4.40 )	15.40	99
25+50+50+50	1.54	3.09	3.09	3.09	-	-	10.81 ( 3.50 - 12.50 )	3.42 ( 0.91 - 4.40 )	15.02	99
35+35+35+35	2.68	2.68	2.68	2.68	-	-	10.72 ( 3.50 - 12.40 )	3.05 ( 0.91 - 4.33 )	13.38	99
35+35+35+42	2.55	2.55	2.55	3.06	-	-	10.71 ( 3.50 - 12.40 )	3.06 ( 0.91 - 4.33 )	13.44	99
35+35+35+50	2.44	2.44	2.44	3.48	-	-	10.80 ( 3.50 - 12.50 )	3.07 ( 0.91 - 4.40 )	13.49	99
35+35+35+60	2.29	2.29	2.29	3.93	-	-	10.80 ( 3.50 - 12.50 )	3.07 ( 0.91 - 4.40 )	13.49	99
35+35+35+71	2.15	2.15	2.15	4.36	-	-	10.81 ( 3.50 - 12.50 )	3.46 ( 0.91 - 4.40 )	15.21	99
35+35+42+42	2.45	2.45	2.95	2.95	-	-	10.80 ( 3.50 - 12.50 )	3.07 ( 0.91 - 4.40 )	13.49	99
35+35+42+50	2.33	2.33	2.80	3.33	-	-	10.79 ( 3.50 - 12.50 )	3.07 ( 0.91 - 4.40 )	13.49	99
35+35+42+60	2.20	2.20	2.64	3.77	-	-	10.81 ( 3.50 - 12.50 )	3.29 ( 0.91 - 4.40 )	14.44	99
35+35+50+50	2.22	2.22	3.18	3.18	-	-	10.80 ( 3.50 - 12.50 )	3.20 ( 0.91 - 4.40 )	14.07	99
35+35+50+60	2.10	2.10	3.00	3.60	-	-	10.80 ( 3.50 - 12.50 )	3.64 ( 0.91 - 4.40 )	15.97	99
35+42+42+42	2.35	2.82	2.82	2.82	-	-	10.81 ( 3.50 - 12.50 )	3.07 ( 0.91 - 4.40 )	13.49	99
35+42+42+50	2.24	2.68	2.68	3.20	-	-	10.80 ( 3.50 - 12.50 )	3.16 ( 0.91 - 4.40 )	13.87	99
35+42+42+60	2.11	2.53	2.53	3.62	-	-	10.79 ( 3.50 - 12.50 )	3.59 ( 0.91 - 4.40 )	15.78	99
35+42+50+50	2.14	2.56	3.05	3.05	-	-	10.80 ( 3.50 - 12.50 )	3.51 ( 0.91 - 4.40 )	15.40	99
42+42+42+42	2.70	2.70	2.70	2.70	-	-	10.80 ( 3.50 - 12.50 )	3.12 ( 0.91 - 4.40 )	13.69	99
42+42+42+50	2.58	2.58	2.58	3.07	-	-	10.81 ( 3.50 - 12.50 )	3.46 ( 0.91 - 4.40 )	15.21	99
15+15+15+15+15	1.50	1.50	1.50	1.50	1.50	-	7.50 ( 3.50 - 10.50 )	1.64 ( 0.98 - 4.91 )	7.19	99
15+15+15+15+18	1.50	1.50	1.50	1.50	1.80	-	7.80 ( 3.50 - 10.90 )	1.78 ( 0.98 - 5.09 )	7.81	99
15+15+15+15+20	1.50	1.50	1.50	1.50	2.00	-	8.00 ( 3.50 - 10.80 )	1.87 ( 0.98 - 5.04 )	8.23	99
15+15+15+15+22	1.50	1.50	1.50	1.50	2.20	-	8.20 ( 3.50 - 10.90 )	1.97 ( 0.98 - 5.09 )	8.65	99

# MXZ-6D122VA COOLING

Indoor units combination	Cooling Capacity (kW)						Outdoor unit power consumption (kW)	Current (A)	Power factor (%)	
	Unit A	Unit B	Unit C	Unit D	Unit E	Unit F				Total
15+15+15+15+25	1.50	1.50	1.50	1.50	2.50	-	8.50 ( 3.50 - 11.00 )	2.11 ( 0.98 - 5.13 )	9.27	99
15+15+15+15+35	1.50	1.50	1.50	1.50	3.50	-	9.50 ( 3.50 - 11.50 )	2.59 ( 0.98 - 5.35 )	11.36	99
15+15+15+15+42	1.50	1.50	1.50	1.50	4.20	-	10.20 ( 3.50 - 12.10 )	2.90 ( 0.97 - 5.55 )	12.72	99
15+15+15+15+50	1.50	1.50	1.50	1.50	5.00	-	11.00 ( 3.50 - 13.20 )	3.08 ( 0.93 - 5.81 )	13.51	99
15+15+15+15+60	1.45	1.45	1.45	1.45	5.80	-	11.60 ( 3.50 - 13.20 )	3.29 ( 0.93 - 5.78 )	14.44	99
15+15+15+15+71	1.36	1.36	1.36	1.36	6.45	-	11.89 ( 3.50 - 13.20 )	3.52 ( 0.93 - 5.76 )	15.44	99
15+15+15+18+18	1.50	1.50	1.50	1.80	1.80	-	8.10 ( 3.50 - 11.30 )	1.92 ( 0.98 - 5.23 )	8.44	99
15+15+15+18+20	1.50	1.50	1.50	1.80	2.00	-	8.30 ( 3.50 - 11.10 )	2.02 ( 0.98 - 5.17 )	8.86	99
15+15+15+18+22	1.50	1.50	1.50	1.80	2.20	-	8.50 ( 3.50 - 11.00 )	2.11 ( 0.98 - 5.13 )	9.27	99
15+15+15+18+25	1.50	1.50	1.50	1.80	2.50	-	8.80 ( 3.50 - 11.40 )	2.25 ( 0.98 - 5.30 )	9.90	99
15+15+15+18+35	1.50	1.50	1.50	1.80	3.50	-	9.80 ( 3.50 - 13.20 )	2.73 ( 0.93 - 5.81 )	11.99	99
15+15+15+18+42	1.50	1.50	1.50	1.80	4.20	-	10.50 ( 3.50 - 12.50 )	2.96 ( 0.96 - 5.65 )	13.02	99
15+15+15+18+50	1.49	1.49	1.49	1.78	4.96	-	11.21 ( 3.50 - 13.20 )	3.14 ( 0.93 - 5.80 )	13.80	99
15+15+15+18+60	1.44	1.44	1.44	1.73	5.76	-	11.81 ( 3.50 - 13.20 )	3.35 ( 0.93 - 5.77 )	14.71	99
15+15+15+18+71	1.34	1.34	1.34	1.61	6.36	-	11.99 ( 3.50 - 13.30 )	3.54 ( 0.93 - 5.78 )	15.56	99
15+15+15+20+20	1.50	1.50	1.50	2.00	2.00	-	8.50 ( 3.50 - 11.00 )	2.11 ( 0.98 - 5.13 )	9.27	99
15+15+15+20+22	1.50	1.50	1.50	2.00	2.20	-	8.70 ( 3.50 - 11.10 )	2.21 ( 0.98 - 5.17 )	9.69	99
15+15+15+20+25	1.50	1.50	1.50	2.00	2.50	-	9.00 ( 3.50 - 11.30 )	2.35 ( 0.98 - 5.26 )	10.32	99
15+15+15+20+35	1.50	1.50	1.50	2.00	3.50	-	10.00 ( 3.50 - 11.80 )	2.83 ( 0.98 - 5.48 )	12.41	99
15+15+15+20+42	1.50	1.50	1.50	2.00	4.20	-	10.70 ( 3.50 - 12.80 )	3.01 ( 0.95 - 5.72 )	13.22	99
15+15+15+20+50	1.47	1.47	1.47	1.97	4.91	-	11.29 ( 3.50 - 13.20 )	3.18 ( 0.93 - 5.79 )	13.98	99
15+15+15+20+60	1.43	1.43	1.43	1.90	5.71	-	11.90 ( 3.50 - 13.20 )	3.39 ( 0.93 - 5.76 )	14.89	99
15+15+15+20+71	1.32	1.32	1.32	1.76	6.26	-	11.98 ( 3.50 - 13.30 )	3.55 ( 0.93 - 5.78 )	15.59	99
15+15+15+22+22	1.50	1.50	1.50	2.20	2.20	-	8.90 ( 3.50 - 11.30 )	2.30 ( 0.98 - 5.23 )	10.11	99
15+15+15+22+25	1.50	1.50	1.50	2.20	2.50	-	9.20 ( 3.50 - 11.40 )	2.44 ( 0.98 - 5.30 )	10.74	99
15+15+15+22+35	1.50	1.50	1.50	2.20	3.50	-	10.20 ( 3.50 - 12.10 )	2.90 ( 0.97 - 5.55 )	12.72	99
15+15+15+22+42	1.50	1.50	1.50	2.20	4.20	-	10.90 ( 3.50 - 13.10 )	3.05 ( 0.93 - 5.79 )	13.41	99
15+15+15+22+50	1.46	1.46	1.46	2.14	4.87	-	11.39 ( 3.50 - 13.20 )	3.22 ( 0.93 - 5.79 )	14.16	99
15+15+15+22+60	1.41	1.41	1.41	2.06	5.62	-	11.91 ( 3.50 - 13.20 )	3.43 ( 0.93 - 5.76 )	15.08	99
15+15+15+22+71	1.30	1.30	1.30	1.91	6.17	-	11.98 ( 3.50 - 13.30 )	3.56 ( 0.93 - 5.78 )	15.62	99
15+15+15+25+25	1.50	1.50	1.50	2.50	2.50	-	9.50 ( 3.50 - 11.50 )	2.59 ( 0.98 - 5.35 )	11.36	99
15+15+15+25+35	1.50	1.50	1.50	2.50	3.50	-	10.50 ( 3.50 - 12.50 )	2.96 ( 0.96 - 5.65 )	13.02	99
15+15+15+25+42	1.49	1.49	1.49	2.48	4.16	-	11.11 ( 3.50 - 13.20 )	3.12 ( 0.93 - 5.80 )	13.71	99
15+15+15+25+50	1.45	1.45	1.45	2.42	4.83	-	11.60 ( 3.50 - 13.20 )	3.29 ( 0.93 - 5.78 )	14.44	99
15+15+15+25+60	1.37	1.37	1.37	2.29	5.49	-	11.89 ( 3.50 - 13.20 )	3.49 ( 0.93 - 5.76 )	15.35	99
15+15+15+25+71	1.28	1.28	1.28	2.13	6.04	-	12.01 ( 3.50 - 13.30 )	3.57 ( 0.93 - 5.78 )	15.67	99

**MXZ-6D122VA COOLING**

Indoor units combination	Cooling Capacity (kW)							Outdoor unit power consumption (kW)	Current (A)	Power factor (%)
	Unit A	Unit B	Unit C	Unit D	Unit E	Unit F	Total			
15+15+15+35+35	1.47	1.47	1.47	3.44	3.44	-	11.29 ( 3.50 - 13.20 )	3.18 ( 0.93 - 5.79 )	13.98	99
15+15+15+35+42	1.44	1.44	1.44	3.36	4.03	-	11.71 ( 3.50 - 13.20 )	3.33 ( 0.93 - 5.77 )	14.62	99
15+15+15+35+50	1.37	1.37	1.37	3.20	4.58	-	11.89 ( 3.50 - 13.20 )	3.49 ( 0.93 - 5.76 )	15.35	99
15+15+15+35+60	1.29	1.29	1.29	3.00	5.14	-	12.01 ( 3.50 - 13.30 )	3.56 ( 0.93 - 5.78 )	15.65	99
15+15+15+35+71	1.20	1.20	1.20	2.80	5.69	-	12.09 ( 3.50 - 13.30 )	3.60 ( 0.93 - 5.78 )	15.80	99
15+15+15+42+42	1.38	1.38	1.38	3.87	3.87	-	11.88 ( 3.50 - 13.20 )	3.47 ( 0.93 - 5.76 )	15.26	99
15+15+15+42+50	1.31	1.31	1.31	3.68	4.38	-	11.99 ( 3.50 - 13.30 )	3.55 ( 0.93 - 5.78 )	15.61	99
15+15+15+42+60	1.22	1.22	1.22	3.43	4.90	-	11.99 ( 3.50 - 13.30 )	3.59 ( 0.93 - 5.78 )	15.75	99
15+15+15+42+71	1.15	1.15	1.15	3.22	5.44	-	12.11 ( 3.50 - 13.30 )	3.62 ( 0.93 - 5.78 )	15.89	99
15+15+15+50+50	1.24	1.24	1.24	4.14	4.14	-	12.00 ( 3.50 - 13.30 )	3.58 ( 0.93 - 5.78 )	15.73	99
15+15+15+50+60	1.17	1.17	1.17	3.90	4.68	-	12.09 ( 3.50 - 13.30 )	3.61 ( 0.93 - 5.78 )	15.85	99
15+15+15+50+71	1.09	1.09	1.09	3.64	5.18	-	12.09 ( 3.50 - 13.30 )	3.65 ( 0.93 - 5.78 )	16.05	99
15+15+15+60+60	1.10	1.10	1.10	4.40	4.40	-	12.10 ( 3.50 - 13.30 )	3.65 ( 0.93 - 5.78 )	16.03	99
15+15+15+60+71	1.04	1.04	1.04	4.16	4.92	-	12.20 ( 3.50 - 13.40 )	3.66 ( 0.93 - 5.79 )	16.09	99
15+15+18+18+18	1.50	1.50	1.80	1.80	1.80	-	8.40 ( 3.50 - 11.60 )	2.06 ( 0.98 - 5.39 )	9.07	99
15+15+18+18+20	1.50	1.50	1.80	1.80	2.00	-	8.60 ( 3.50 - 11.50 )	2.16 ( 0.98 - 5.35 )	9.48	99
15+15+18+18+22	1.50	1.50	1.80	1.80	2.20	-	8.80 ( 3.50 - 11.60 )	2.25 ( 0.98 - 5.39 )	9.90	99
15+15+18+18+25	1.50	1.50	1.80	1.80	2.50	-	9.10 ( 3.50 - 12.20 )	2.40 ( 0.97 - 5.57 )	10.53	99
15+15+18+18+35	1.50	1.50	1.80	1.80	3.50	-	10.10 ( 3.50 - 11.90 )	2.87 ( 0.98 - 5.50 )	12.62	99
15+15+18+18+42	1.50	1.50	1.80	1.80	4.20	-	10.80 ( 3.50 - 12.90 )	3.03 ( 0.95 - 5.74 )	13.31	99
15+15+18+18+50	1.47	1.47	1.77	1.77	4.91	-	11.39 ( 3.50 - 13.20 )	3.20 ( 0.93 - 5.79 )	14.07	99
15+15+18+18+60	1.42	1.42	1.70	1.70	5.67	-	11.91 ( 3.50 - 13.20 )	3.41 ( 0.93 - 5.76 )	14.98	99
15+15+18+18+71	1.31	1.31	1.58	1.58	6.22	-	12.00 ( 3.50 - 13.30 )	3.55 ( 0.93 - 5.78 )	15.61	99
15+15+18+20+20	1.50	1.50	1.80	2.00	2.00	-	8.80 ( 3.50 - 11.40 )	2.25 ( 0.98 - 5.30 )	9.90	99
15+15+18+20+22	1.50	1.50	1.80	2.00	2.20	-	9.00 ( 3.50 - 11.30 )	2.35 ( 0.98 - 5.26 )	10.32	99
15+15+18+20+25	1.50	1.50	1.80	2.00	2.50	-	9.30 ( 3.50 - 11.90 )	2.49 ( 0.98 - 5.50 )	10.95	99
15+15+18+20+35	1.50	1.50	1.80	2.00	3.50	-	10.30 ( 3.50 - 12.20 )	2.92 ( 0.97 - 5.57 )	12.82	99
15+15+18+20+42	1.50	1.50	1.80	2.00	4.20	-	11.00 ( 3.50 - 13.20 )	3.08 ( 0.93 - 5.81 )	13.51	99
15+15+18+20+50	1.46	1.46	1.75	1.94	4.85	-	11.46 ( 3.50 - 13.20 )	3.25 ( 0.93 - 5.77 )	14.25	99
15+15+18+20+60	1.39	1.39	1.67	1.86	5.58	-	11.89 ( 3.50 - 13.20 )	3.45 ( 0.93 - 5.76 )	15.17	99
15+15+18+20+71	1.29	1.29	1.55	1.73	6.13	-	11.99 ( 3.50 - 13.30 )	3.56 ( 0.93 - 5.78 )	15.64	99
15+15+18+22+22	1.50	1.50	1.80	2.20	2.20	-	9.20 ( 3.50 - 11.40 )	2.44 ( 0.98 - 5.30 )	10.74	99
15+15+18+22+25	1.50	1.50	1.80	2.20	2.50	-	9.50 ( 3.50 - 11.50 )	2.59 ( 0.98 - 5.35 )	11.36	99
15+15+18+22+35	1.50	1.50	1.80	2.20	3.50	-	10.50 ( 3.50 - 12.50 )	2.96 ( 0.96 - 5.65 )	13.02	99
15+15+18+22+42	1.49	1.49	1.78	2.18	4.16	-	11.10 ( 3.50 - 13.20 )	3.12 ( 0.93 - 5.80 )	13.71	99
15+15+18+22+50	1.45	1.45	1.74	2.13	4.83	-	11.60 ( 3.50 - 13.20 )	3.29 ( 0.93 - 5.78 )	14.44	99

# MXZ-6D122VA COOLING

Indoor units combination	Cooling Capacity (kW)							Outdoor unit power consumption (kW)	Current (A)	Power factor (%)
	Unit A	Unit B	Unit C	Unit D	Unit E	Unit F	Total			
15+15+18+22+60	1.37	1.37	1.65	2.01	5.49	-	11.89 ( 3.50 - 13.20 )	3.49 ( 0.93 - 5.76 )	15.35	99
15+15+18+22+71	1.28	1.28	1.53	1.87	6.04	-	12.00 ( 3.50 - 13.30 )	3.57 ( 0.93 - 5.78 )	15.67	99
15+15+18+25+25	1.50	1.50	1.80	2.50	2.50	-	9.80 ( 3.50 - 13.20 )	2.73 ( 0.93 - 5.81 )	11.99	99
15+15+18+25+35	1.50	1.50	1.80	2.50	3.50	-	10.80 ( 3.50 - 12.90 )	3.03 ( 0.95 - 5.74 )	13.31	99
15+15+18+25+42	1.47	1.47	1.77	2.46	4.13	-	11.30 ( 3.50 - 13.20 )	3.18 ( 0.93 - 5.79 )	13.98	99
15+15+18+25+50	1.44	1.44	1.73	2.40	4.80	-	11.81 ( 3.50 - 13.20 )	3.35 ( 0.93 - 5.77 )	14.71	99
15+15+18+25+60	1.34	1.34	1.61	2.24	5.37	-	11.90 ( 3.50 - 13.20 )	3.54 ( 0.93 - 5.76 )	15.55	99
15+15+18+25+71	1.25	1.25	1.50	2.08	5.92	-	12.00 ( 3.50 - 13.30 )	3.58 ( 0.93 - 5.78 )	15.71	99
15+15+18+35+35	1.46	1.46	1.75	3.40	3.40	-	11.47 ( 3.50 - 13.20 )	3.25 ( 0.93 - 5.77 )	14.25	99
15+15+18+35+42	1.43	1.43	1.71	3.33	4.00	-	11.90 ( 3.50 - 13.20 )	3.39 ( 0.93 - 5.76 )	14.89	99
15+15+18+35+50	1.34	1.34	1.61	3.13	4.47	-	11.89 ( 3.50 - 13.20 )	3.54 ( 0.93 - 5.76 )	15.55	99
15+15+18+35+60	1.26	1.26	1.51	2.94	5.03	-	12.00 ( 3.50 - 13.30 )	3.57 ( 0.93 - 5.78 )	15.70	99
15+15+18+35+71	1.18	1.18	1.41	2.75	5.58	-	12.10 ( 3.50 - 13.30 )	3.61 ( 0.93 - 5.78 )	15.84	99
15+15+18+42+42	1.35	1.35	1.62	3.79	3.79	-	11.90 ( 3.50 - 13.20 )	3.54 ( 0.93 - 5.76 )	15.53	99
15+15+18+42+50	1.29	1.29	1.54	3.60	4.29	-	12.01 ( 3.50 - 13.30 )	3.56 ( 0.93 - 5.78 )	15.65	99
15+15+18+42+60	1.21	1.21	1.45	3.39	4.84	-	12.10 ( 3.50 - 13.30 )	3.60 ( 0.93 - 5.78 )	15.79	99
15+15+18+42+71	1.13	1.13	1.35	3.16	5.34	-	12.11 ( 3.50 - 13.30 )	3.63 ( 0.93 - 5.78 )	15.95	99
15+15+18+50+50	1.22	1.22	1.46	4.05	4.05	-	12.00 ( 3.50 - 13.30 )	3.59 ( 0.93 - 5.78 )	15.77	99
15+15+18+50+60	1.15	1.15	1.38	3.83	4.59	-	12.10 ( 3.50 - 13.30 )	3.62 ( 0.93 - 5.78 )	15.89	99
15+15+18+50+71	1.08	1.08	1.30	3.61	5.13	-	12.20 ( 3.50 - 13.40 )	3.66 ( 0.93 - 5.79 )	16.09	99
15+15+18+60+60	1.09	1.09	1.31	4.36	4.36	-	12.21 ( 3.50 - 13.40 )	3.66 ( 0.93 - 5.79 )	16.09	99
15+15+18+60+71	1.02	1.02	1.23	4.09	4.84	-	12.20 ( 3.50 - 13.40 )	3.66 ( 0.93 - 5.79 )	16.09	99
15+15+20+20+20	1.50	1.50	2.00	2.00	2.00	-	9.00 ( 3.50 - 11.30 )	2.35 ( 0.98 - 5.26 )	10.32	99
15+15+20+20+22	1.50	1.50	2.00	2.00	2.20	-	9.20 ( 3.50 - 11.40 )	2.44 ( 0.98 - 5.30 )	10.74	99
15+15+20+20+25	1.50	1.50	2.00	2.00	2.50	-	9.50 ( 3.50 - 11.50 )	2.59 ( 0.98 - 5.35 )	11.36	99
15+15+20+20+35	1.50	1.50	2.00	2.00	3.50	-	10.50 ( 3.50 - 12.50 )	2.96 ( 0.96 - 5.65 )	13.02	99
15+15+20+20+42	1.49	1.49	1.98	1.98	4.16	-	11.10 ( 3.50 - 13.20 )	3.12 ( 0.93 - 5.80 )	13.71	99
15+15+20+20+50	1.45	1.45	1.93	1.93	4.83	-	11.59 ( 3.50 - 13.20 )	3.29 ( 0.93 - 5.78 )	14.44	99
15+15+20+20+60	1.37	1.37	1.83	1.83	5.49	-	11.89 ( 3.50 - 13.20 )	3.49 ( 0.93 - 5.76 )	15.35	99
15+15+20+20+71	1.28	1.28	1.70	1.70	6.04	-	12.00 ( 3.50 - 13.30 )	3.57 ( 0.93 - 5.78 )	15.67	99
15+15+20+22+22	1.50	1.50	2.00	2.20	2.20	-	9.40 ( 3.50 - 11.50 )	2.54 ( 0.98 - 5.35 )	11.16	99
15+15+20+22+25	1.50	1.50	2.00	2.20	2.50	-	9.70 ( 3.50 - 11.60 )	2.68 ( 0.98 - 5.39 )	11.78	99
15+15+20+22+35	1.50	1.50	2.00	2.20	3.50	-	10.70 ( 3.50 - 12.80 )	3.01 ( 0.95 - 5.72 )	13.22	99
15+15+20+22+42	1.47	1.47	1.96	2.16	4.13	-	11.19 ( 3.50 - 13.20 )	3.16 ( 0.93 - 5.80 )	13.89	99
15+15+20+22+50	1.44	1.44	1.92	2.11	4.80	-	11.71 ( 3.50 - 13.20 )	3.33 ( 0.93 - 5.77 )	14.62	99
15+15+20+22+60	1.35	1.35	1.80	1.98	5.41	-	11.89 ( 3.50 - 13.20 )	3.54 ( 0.93 - 5.76 )	15.53	99

# MXZ-6D122VA COOLING

Indoor units combination	Cooling Capacity (kW)							Outdoor unit power consumption (kW)	Current (A)	Power factor (%)
	Unit A	Unit B	Unit C	Unit D	Unit E	Unit F	Total			
15+15+20+22+71	1.26	1.26	1.68	1.85	5.96	-	12.01 ( 3.50 - 13.30 )	3.57 ( 0.93 - 5.78 )	15.70	99
15+15+20+25+25	1.50	1.50	2.00	2.50	2.50	-	10.00 ( 3.50 - 11.80 )	2.83 ( 0.98 - 5.48 )	12.41	99
15+15+20+25+35	1.50	1.50	2.00	2.50	3.50	-	11.00 ( 3.50 - 13.20 )	3.08 ( 0.93 - 5.81 )	13.51	99
15+15+20+25+42	1.46	1.46	1.95	2.44	4.09	-	11.40 ( 3.50 - 13.20 )	3.22 ( 0.93 - 5.79 )	14.16	99
15+15+20+25+50	1.43	1.43	1.90	2.38	4.76	-	11.90 ( 3.50 - 13.20 )	3.39 ( 0.93 - 5.76 )	14.89	99
15+15+20+25+60	1.33	1.33	1.78	2.22	5.33	-	11.99 ( 3.50 - 13.30 )	3.55 ( 0.93 - 5.78 )	15.58	99
15+15+20+25+71	1.23	1.23	1.64	2.05	5.84	-	11.99 ( 3.50 - 13.30 )	3.58 ( 0.93 - 5.78 )	15.74	99
15+15+20+35+35	1.45	1.45	1.93	3.38	3.38	-	11.59 ( 3.50 - 13.20 )	3.29 ( 0.93 - 5.78 )	14.44	99
15+15+20+35+42	1.41	1.41	1.87	3.28	3.94	-	11.91 ( 3.50 - 13.20 )	3.43 ( 0.93 - 5.76 )	15.08	99
15+15+20+35+50	1.33	1.33	1.78	3.11	4.44	-	11.99 ( 3.50 - 13.30 )	3.55 ( 0.93 - 5.78 )	15.58	99
15+15+20+35+60	1.24	1.24	1.66	2.90	4.97	-	12.01 ( 3.50 - 13.30 )	3.58 ( 0.93 - 5.78 )	15.73	99
15+15+20+35+71	1.16	1.16	1.55	2.71	5.51	-	12.09 ( 3.50 - 13.30 )	3.61 ( 0.93 - 5.78 )	15.87	99
15+15+20+42+42	1.34	1.34	1.79	3.76	3.76	-	11.99 ( 3.50 - 13.30 )	3.54 ( 0.93 - 5.78 )	15.56	99
15+15+20+42+50	1.27	1.27	1.69	3.55	4.23	-	12.01 ( 3.50 - 13.30 )	3.57 ( 0.93 - 5.78 )	15.68	99
15+15+20+42+60	1.19	1.19	1.59	3.34	4.78	-	12.09 ( 3.50 - 13.30 )	3.60 ( 0.93 - 5.78 )	15.82	99
15+15+20+42+71	1.11	1.11	1.48	3.12	5.27	-	12.09 ( 3.50 - 13.30 )	3.64 ( 0.93 - 5.78 )	15.99	99
15+15+20+50+50	1.21	1.21	1.61	4.03	4.03	-	12.09 ( 3.50 - 13.30 )	3.60 ( 0.93 - 5.78 )	15.79	99
15+15+20+50+60	1.13	1.13	1.51	3.78	4.54	-	12.09 ( 3.50 - 13.30 )	3.63 ( 0.93 - 5.78 )	15.93	99
15+15+20+50+71	1.07	1.07	1.43	3.57	5.07	-	12.21 ( 3.50 - 13.40 )	3.66 ( 0.93 - 5.79 )	16.09	99
15+15+20+60+60	1.08	1.08	1.44	4.31	4.31	-	12.22 ( 3.50 - 13.40 )	3.66 ( 0.93 - 5.79 )	16.09	99
15+15+22+22+22	1.50	1.50	2.20	2.20	2.20	-	9.60 ( 3.50 - 11.60 )	2.63 ( 0.98 - 5.39 )	11.57	99
15+15+22+22+25	1.50	1.50	2.20	2.20	2.50	-	9.90 ( 3.50 - 11.70 )	2.78 ( 0.98 - 5.44 )	12.20	99
15+15+22+22+35	1.50	1.50	2.20	2.20	3.50	-	10.90 ( 3.50 - 13.10 )	3.05 ( 0.93 - 5.79 )	13.41	99
15+15+22+22+42	1.47	1.47	2.16	2.16	4.13	-	11.39 ( 3.50 - 13.20 )	3.20 ( 0.93 - 5.79 )	14.07	99
15+15+22+22+50	1.43	1.43	2.09	2.09	4.76	-	11.80 ( 3.50 - 13.20 )	3.37 ( 0.93 - 5.76 )	14.80	99
15+15+22+22+60	1.34	1.34	1.97	1.97	5.37	-	11.99 ( 3.50 - 13.30 )	3.54 ( 0.93 - 5.78 )	15.56	99
15+15+22+22+71	1.24	1.24	1.82	1.82	5.88	-	12.00 ( 3.50 - 13.30 )	3.58 ( 0.93 - 5.78 )	15.73	99
15+15+22+25+25	1.50	1.50	2.20	2.50	2.50	-	10.20 ( 3.50 - 12.10 )	2.90 ( 0.97 - 5.55 )	12.72	99
15+15+22+25+35	1.49	1.49	2.18	2.48	3.47	-	11.11 ( 3.50 - 13.20 )	3.12 ( 0.93 - 5.80 )	13.71	99
15+15+22+25+42	1.45	1.45	2.13	2.42	4.06	-	11.51 ( 3.50 - 13.20 )	3.27 ( 0.93 - 5.78 )	14.35	99
15+15+22+25+50	1.41	1.41	2.06	2.34	4.69	-	11.91 ( 3.50 - 13.20 )	3.43 ( 0.93 - 5.76 )	15.08	99
15+15+22+25+60	1.31	1.31	1.93	2.19	5.26	-	12.00 ( 3.50 - 13.30 )	3.55 ( 0.93 - 5.78 )	15.61	99
15+15+22+25+71	1.22	1.22	1.78	2.03	5.76	-	12.01 ( 3.50 - 13.30 )	3.59 ( 0.93 - 5.78 )	15.77	99
15+15+22+35+35	1.44	1.44	2.11	3.36	3.36	-	11.71 ( 3.50 - 13.20 )	3.33 ( 0.93 - 5.77 )	14.62	99
15+15+22+35+42	1.38	1.38	2.03	3.23	3.87	-	11.89 ( 3.50 - 13.20 )	3.47 ( 0.93 - 5.76 )	15.26	99
15+15+22+35+50	1.31	1.31	1.93	3.07	4.38	-	12.00 ( 3.50 - 13.30 )	3.55 ( 0.93 - 5.78 )	15.61	99

# MXZ-6D122VA COOLING

Indoor units combination	Cooling Capacity (kW)							Outdoor unit power consumption (kW)	Current (A)	Power factor (%)
	Unit A	Unit B	Unit C	Unit D	Unit E	Unit F	Total			
15+15+22+35+60	1.22	1.22	1.80	2.86	4.90	-	12.00 ( 3.50 - 13.30 )	3.59 ( 0.93 - 5.78 )	15.75	99
15+15+22+35+71	1.15	1.15	1.68	2.68	5.44	-	12.10 ( 3.50 - 13.30 )	3.62 ( 0.93 - 5.78 )	15.89	99
15+15+22+42+42	1.32	1.32	1.94	3.71	3.71	-	12.00 ( 3.50 - 13.30 )	3.55 ( 0.93 - 5.78 )	15.59	99
15+15+22+42+50	1.25	1.25	1.83	3.50	4.17	-	12.00 ( 3.50 - 13.30 )	3.58 ( 0.93 - 5.78 )	15.71	99
15+15+22+42+60	1.18	1.18	1.73	3.30	4.71	-	12.10 ( 3.50 - 13.30 )	3.61 ( 0.93 - 5.78 )	15.84	99
15+15+22+42+71	1.10	1.10	1.61	3.08	5.21	-	12.10 ( 3.50 - 13.30 )	3.65 ( 0.93 - 5.78 )	16.03	99
15+15+22+50+50	1.19	1.19	1.75	3.98	3.98	-	12.09 ( 3.50 - 13.30 )	3.60 ( 0.93 - 5.78 )	15.82	99
15+15+22+50+60	1.12	1.12	1.64	3.73	4.48	-	12.09 ( 3.50 - 13.30 )	3.64 ( 0.93 - 5.78 )	15.97	99
15+15+22+50+71	1.06	1.06	1.55	3.53	5.01	-	12.21 ( 3.50 - 13.40 )	3.66 ( 0.93 - 5.79 )	16.09	99
15+15+22+60+60	1.06	1.06	1.56	4.26	4.26	-	12.20 ( 3.50 - 13.40 )	3.66 ( 0.93 - 5.79 )	16.09	99
15+15+25+25+25	1.50	1.50	2.50	2.50	2.50	-	10.50 ( 3.50 - 12.50 )	2.96 ( 0.96 - 5.65 )	13.02	99
15+15+25+25+35	1.47	1.47	2.46	2.46	3.44	-	11.30 ( 3.50 - 13.20 )	3.18 ( 0.93 - 5.79 )	13.98	99
15+15+25+25+42	1.44	1.44	2.40	2.40	4.03	-	11.71 ( 3.50 - 13.20 )	3.33 ( 0.93 - 5.77 )	14.62	99
15+15+25+25+50	1.37	1.37	2.29	2.29	4.58	-	11.90 ( 3.50 - 13.20 )	3.49 ( 0.93 - 5.76 )	15.35	99
15+15+25+25+60	1.29	1.29	2.14	2.14	5.14	-	12.00 ( 3.50 - 13.30 )	3.56 ( 0.93 - 5.78 )	15.65	99
15+15+25+25+71	1.20	1.20	2.00	2.00	5.69	-	12.09 ( 3.50 - 13.30 )	3.60 ( 0.93 - 5.78 )	15.80	99
15+15+25+35+35	1.43	1.43	2.38	3.33	3.33	-	11.90 ( 3.50 - 13.20 )	3.39 ( 0.93 - 5.76 )	14.89	99
15+15+25+35+42	1.35	1.35	2.25	3.16	3.79	-	11.90 ( 3.50 - 13.20 )	3.54 ( 0.93 - 5.76 )	15.53	99
15+15+25+35+50	1.29	1.29	2.14	3.00	4.29	-	12.01 ( 3.50 - 13.30 )	3.56 ( 0.93 - 5.78 )	15.65	99
15+15+25+35+60	1.21	1.21	2.02	2.82	4.84	-	12.10 ( 3.50 - 13.30 )	3.60 ( 0.93 - 5.78 )	15.79	99
15+15+25+35+71	1.13	1.13	1.88	2.63	5.34	-	12.11 ( 3.50 - 13.30 )	3.63 ( 0.93 - 5.78 )	15.95	99
15+15+25+42+42	1.29	1.29	2.16	3.63	3.63	-	12.00 ( 3.50 - 13.30 )	3.56 ( 0.93 - 5.78 )	15.64	99
15+15+25+42+50	1.22	1.22	2.04	3.43	4.08	-	11.99 ( 3.50 - 13.30 )	3.59 ( 0.93 - 5.78 )	15.75	99
15+15+25+42+60	1.16	1.16	1.93	3.24	4.62	-	12.11 ( 3.50 - 13.30 )	3.62 ( 0.93 - 5.78 )	15.88	99
15+15+25+42+71	1.09	1.09	1.82	3.05	5.16	-	12.21 ( 3.50 - 13.40 )	3.66 ( 0.93 - 5.79 )	16.09	99
15+15+25+50+50	1.17	1.17	1.95	3.90	3.90	-	12.09 ( 3.50 - 13.30 )	3.61 ( 0.93 - 5.78 )	15.85	99
15+15+25+50+60	1.10	1.10	1.83	3.67	4.40	-	12.10 ( 3.50 - 13.30 )	3.65 ( 0.93 - 5.78 )	16.03	99
15+15+25+50+71	1.04	1.04	1.73	3.47	4.92	-	12.20 ( 3.50 - 13.40 )	3.66 ( 0.93 - 5.79 )	16.09	99
15+15+25+60+60	1.05	1.05	1.74	4.18	4.18	-	12.20 ( 3.50 - 13.40 )	3.66 ( 0.93 - 5.79 )	16.09	99
15+15+35+35+35	1.33	1.33	3.11	3.11	3.11	-	11.99 ( 3.50 - 13.30 )	3.55 ( 0.93 - 5.78 )	15.58	99
15+15+35+35+42	1.27	1.27	2.96	2.96	3.55	-	12.01 ( 3.50 - 13.30 )	3.57 ( 0.93 - 5.78 )	15.68	99
15+15+35+35+50	1.21	1.21	2.82	2.82	4.03	-	12.09 ( 3.50 - 13.30 )	3.60 ( 0.93 - 5.78 )	15.79	99
15+15+35+35+60	1.13	1.13	2.65	2.65	4.54	-	12.10 ( 3.50 - 13.30 )	3.63 ( 0.93 - 5.78 )	15.93	99
15+15+35+35+71	1.07	1.07	2.50	2.50	5.07	-	12.21 ( 3.50 - 13.40 )	3.66 ( 0.93 - 5.79 )	16.09	99
15+15+35+42+42	1.21	1.21	2.82	3.38	3.38	-	12.00 ( 3.50 - 13.30 )	3.59 ( 0.93 - 5.78 )	15.78	99
15+15+35+42+50	1.16	1.16	2.70	3.24	3.85	-	12.11 ( 3.50 - 13.30 )	3.62 ( 0.93 - 5.78 )	15.88	99

# MXZ-6D122VA COOLING

Indoor units combination	Cooling Capacity (kW)							Outdoor unit power consumption (kW)	Current (A)	Power factor (%)
	Unit A	Unit B	Unit C	Unit D	Unit E	Unit F	Total			
15+15+35+42+60	1.10	1.10	2.56	3.07	4.38	-	12.21 ( 3.50 - 13.40 )	3.66 ( 0.93 - 5.79 )	16.07	99
15+15+35+42+71	1.03	1.03	2.40	2.88	4.87	-	12.21 ( 3.50 - 13.40 )	3.66 ( 0.93 - 5.79 )	16.09	99
15+15+35+50+50	1.10	1.10	2.57	3.67	3.67	-	12.11 ( 3.50 - 13.30 )	3.65 ( 0.93 - 5.78 )	16.03	99
15+15+35+50+60	1.05	1.05	2.44	3.49	4.18	-	12.21 ( 3.50 - 13.40 )	3.66 ( 0.93 - 5.79 )	16.09	99
15+15+42+42+42	1.16	1.16	3.26	3.26	3.26	-	12.10 ( 3.50 - 13.30 )	3.61 ( 0.93 - 5.78 )	15.87	99
15+15+42+42+50	1.11	1.11	3.10	3.10	3.69	-	12.11 ( 3.50 - 13.30 )	3.65 ( 0.93 - 5.78 )	16.01	99
15+15+42+42+60	1.05	1.05	2.94	2.94	4.21	-	12.19 ( 3.50 - 13.40 )	3.66 ( 0.93 - 5.79 )	16.09	99
15+15+42+50+50	1.06	1.06	2.98	3.55	3.55	-	12.20 ( 3.50 - 13.40 )	3.66 ( 0.93 - 5.79 )	16.09	99
15+15+50+50+50	1.02	1.02	3.39	3.39	3.39	-	12.21 ( 3.50 - 13.40 )	3.66 ( 0.93 - 5.79 )	16.09	99
15+18+18+18+18	1.50	1.80	1.80	1.80	1.80	-	8.70 ( 3.50 - 11.10 )	2.21 ( 0.98 - 5.17 )	9.69	99
15+18+18+18+20	1.50	1.80	1.80	1.80	2.00	-	8.90 ( 3.50 - 11.30 )	2.30 ( 0.98 - 5.23 )	10.11	99
15+18+18+18+22	1.50	1.80	1.80	1.80	2.20	-	9.10 ( 3.50 - 12.20 )	2.40 ( 0.97 - 5.57 )	10.53	99
15+18+18+18+25	1.50	1.80	1.80	1.80	2.50	-	9.40 ( 3.50 - 11.50 )	2.54 ( 0.98 - 5.35 )	11.16	99
15+18+18+18+35	1.50	1.80	1.80	1.80	3.50	-	10.40 ( 3.50 - 12.40 )	2.94 ( 0.96 - 5.62 )	12.92	99
15+18+18+18+42	1.50	1.80	1.80	1.80	4.20	-	11.10 ( 3.50 - 13.20 )	3.10 ( 0.93 - 5.81 )	13.61	99
15+18+18+18+50	1.45	1.74	1.74	1.74	4.83	-	11.50 ( 3.50 - 13.20 )	3.27 ( 0.93 - 5.78 )	14.35	99
15+18+18+18+60	1.38	1.66	1.66	1.66	5.53	-	11.89 ( 3.50 - 13.20 )	3.47 ( 0.93 - 5.76 )	15.26	99
15+18+18+18+71	1.29	1.54	1.54	1.54	6.09	-	12.00 ( 3.50 - 13.30 )	3.56 ( 0.93 - 5.78 )	15.65	99
15+18+18+20+20	1.50	1.80	1.80	2.00	2.00	-	9.10 ( 3.50 - 11.70 )	2.40 ( 0.98 - 5.44 )	10.53	99
15+18+18+20+22	1.50	1.80	1.80	2.00	2.20	-	9.30 ( 3.50 - 11.90 )	2.49 ( 0.98 - 5.50 )	10.95	99
15+18+18+20+25	1.50	1.80	1.80	2.00	2.50	-	9.60 ( 3.50 - 11.60 )	2.63 ( 0.98 - 5.39 )	11.57	99
15+18+18+20+35	1.50	1.80	1.80	2.00	3.50	-	10.60 ( 3.50 - 12.60 )	2.99 ( 0.96 - 5.67 )	13.12	99
15+18+18+20+42	1.49	1.78	1.78	1.98	4.16	-	11.19 ( 3.50 - 13.20 )	3.14 ( 0.93 - 5.80 )	13.80	99
15+18+18+20+50	1.45	1.74	1.74	1.93	4.83	-	11.69 ( 3.50 - 13.20 )	3.31 ( 0.93 - 5.77 )	14.53	99
15+18+18+20+60	1.36	1.64	1.64	1.82	5.45	-	11.91 ( 3.50 - 13.20 )	3.52 ( 0.93 - 5.76 )	15.44	99
15+18+18+20+71	1.27	1.52	1.52	1.69	6.00	-	12.00 ( 3.50 - 13.30 )	3.57 ( 0.93 - 5.78 )	15.68	99
15+18+18+22+22	1.50	1.80	1.80	2.20	2.20	-	9.50 ( 3.50 - 11.50 )	2.59 ( 0.98 - 5.35 )	11.36	99
15+18+18+22+25	1.50	1.80	1.80	2.20	2.50	-	9.80 ( 3.50 - 13.20 )	2.73 ( 0.93 - 5.81 )	11.99	99
15+18+18+22+35	1.50	1.80	1.80	2.20	3.50	-	10.80 ( 3.50 - 12.90 )	3.03 ( 0.95 - 5.74 )	13.31	99
15+18+18+22+42	1.47	1.77	1.77	2.16	4.13	-	11.30 ( 3.50 - 13.20 )	3.18 ( 0.93 - 5.79 )	13.98	99
15+18+18+22+50	1.44	1.73	1.73	2.11	4.80	-	11.81 ( 3.50 - 13.20 )	3.35 ( 0.93 - 5.77 )	14.71	99
15+18+18+22+60	1.34	1.61	1.61	1.97	5.37	-	11.90 ( 3.50 - 13.20 )	3.54 ( 0.93 - 5.76 )	15.55	99
15+18+18+22+71	1.25	1.50	1.50	1.83	5.92	-	12.00 ( 3.50 - 13.30 )	3.58 ( 0.93 - 5.78 )	15.71	99
15+18+18+25+25	1.50	1.80	1.80	2.50	2.50	-	10.10 ( 3.50 - 11.90 )	2.87 ( 0.98 - 5.50 )	12.62	99
15+18+18+25+35	1.50	1.80	1.80	2.50	3.50	-	11.10 ( 3.50 - 13.20 )	3.10 ( 0.93 - 5.81 )	13.61	99
15+18+18+25+42	1.46	1.75	1.75	2.43	4.08	-	11.47 ( 3.50 - 13.20 )	3.25 ( 0.93 - 5.77 )	14.25	99



# MXZ-6D122VA COOLING

Indoor units combination	Cooling Capacity (kW)							Outdoor unit power consumption (kW)	Current (A)	Power factor (%)
	Unit A	Unit B	Unit C	Unit D	Unit E	Unit F	Total			
15+18+18+25+50	1.42	1.70	1.70	2.36	4.72	-	11.90 ( 3.50 - 13.20 )	3.41 ( 0.93 - 5.76 )	14.98	99
15+18+18+25+60	1.32	1.59	1.59	2.21	5.29	-	12.00 ( 3.50 - 13.30 )	3.55 ( 0.93 - 5.78 )	15.59	99
15+18+18+25+71	1.22	1.47	1.47	2.04	5.80	-	12.00 ( 3.50 - 13.30 )	3.59 ( 0.93 - 5.78 )	15.75	99
15+18+18+35+35	1.45	1.74	1.74	3.38	3.38	-	11.69 ( 3.50 - 13.20 )	3.31 ( 0.93 - 5.77 )	14.53	99
15+18+18+35+42	1.39	1.67	1.67	3.25	3.90	-	11.88 ( 3.50 - 13.20 )	3.45 ( 0.93 - 5.76 )	15.17	99
15+18+18+35+50	1.32	1.59	1.59	3.09	4.41	-	12.00 ( 3.50 - 13.30 )	3.55 ( 0.93 - 5.78 )	15.59	99
15+18+18+35+60	1.23	1.48	1.48	2.88	4.93	-	12.00 ( 3.50 - 13.30 )	3.58 ( 0.93 - 5.78 )	15.74	99
15+18+18+35+71	1.16	1.39	1.39	2.70	5.47	-	12.11 ( 3.50 - 13.30 )	3.62 ( 0.93 - 5.78 )	15.88	99
15+18+18+42+42	1.33	1.60	1.60	3.73	3.73	-	11.99 ( 3.50 - 13.30 )	3.55 ( 0.93 - 5.78 )	15.58	99
15+18+18+42+50	1.26	1.51	1.51	3.52	4.20	-	12.00 ( 3.50 - 13.30 )	3.57 ( 0.93 - 5.78 )	15.70	99
15+18+18+42+60	1.19	1.42	1.42	3.32	4.75	-	12.10 ( 3.50 - 13.30 )	3.60 ( 0.93 - 5.78 )	15.83	99
15+18+18+42+71	1.11	1.33	1.33	3.10	5.24	-	12.11 ( 3.50 - 13.30 )	3.65 ( 0.93 - 5.78 )	16.01	99
15+18+18+50+50	1.20	1.44	1.44	4.01	4.01	-	12.10 ( 3.50 - 13.30 )	3.60 ( 0.93 - 5.78 )	15.80	99
15+18+18+50+60	1.13	1.35	1.35	3.76	4.51	-	12.10 ( 3.50 - 13.30 )	3.63 ( 0.93 - 5.78 )	15.95	99
15+18+18+50+71	1.06	1.28	1.28	3.55	5.04	-	12.21 ( 3.50 - 13.40 )	3.66 ( 0.93 - 5.79 )	16.09	99
15+18+18+60+60	1.07	1.28	1.28	4.28	4.28	-	12.19 ( 3.50 - 13.40 )	3.66 ( 0.93 - 5.79 )	16.09	99
15+18+20+20+20	1.50	1.80	2.00	2.00	2.00	-	9.30 ( 3.50 - 11.90 )	2.49 ( 0.98 - 5.50 )	10.95	99
15+18+20+20+22	1.50	1.80	2.00	2.00	2.20	-	9.50 ( 3.50 - 11.50 )	2.59 ( 0.98 - 5.35 )	11.36	99
15+18+20+20+25	1.50	1.80	2.00	2.00	2.50	-	9.80 ( 3.50 - 13.20 )	2.73 ( 0.93 - 5.81 )	11.99	99
15+18+20+20+35	1.50	1.80	2.00	2.00	3.50	-	10.80 ( 3.50 - 12.90 )	3.03 ( 0.95 - 5.74 )	13.31	99
15+18+20+20+42	1.47	1.77	1.97	1.97	4.13	-	11.31 ( 3.50 - 13.20 )	3.18 ( 0.93 - 5.79 )	13.98	99
15+18+20+20+50	1.44	1.73	1.92	1.92	4.80	-	11.81 ( 3.50 - 13.20 )	3.35 ( 0.93 - 5.77 )	14.71	99
15+18+20+20+60	1.34	1.61	1.79	1.79	5.37	-	11.90 ( 3.50 - 13.20 )	3.54 ( 0.93 - 5.76 )	15.55	99
15+18+20+20+71	1.25	1.50	1.67	1.67	5.92	-	12.01 ( 3.50 - 13.30 )	3.58 ( 0.93 - 5.78 )	15.71	99
15+18+20+22+22	1.50	1.80	2.00	2.20	2.20	-	9.70 ( 3.50 - 11.60 )	2.68 ( 0.98 - 5.39 )	11.78	99
15+18+20+22+25	1.50	1.80	2.00	2.20	2.50	-	10.00 ( 3.50 - 11.80 )	2.83 ( 0.98 - 5.48 )	12.41	99
15+18+20+22+35	1.50	1.80	2.00	2.20	3.50	-	11.00 ( 3.50 - 13.20 )	3.08 ( 0.93 - 5.81 )	13.51	99
15+18+20+22+42	1.46	1.75	1.95	2.14	4.09	-	11.39 ( 3.50 - 13.20 )	3.22 ( 0.93 - 5.79 )	14.16	99
15+18+20+22+50	1.43	1.71	1.90	2.09	4.76	-	11.89 ( 3.50 - 13.20 )	3.39 ( 0.93 - 5.76 )	14.89	99
15+18+20+22+60	1.33	1.60	1.78	1.96	5.33	-	12.00 ( 3.50 - 13.30 )	3.55 ( 0.93 - 5.78 )	15.58	99
15+18+20+22+71	1.23	1.48	1.64	1.81	5.84	-	12.00 ( 3.50 - 13.30 )	3.58 ( 0.93 - 5.78 )	15.74	99
15+18+20+25+25	1.50	1.80	2.00	2.50	2.50	-	10.30 ( 3.50 - 12.20 )	2.92 ( 0.97 - 5.57 )	12.82	99
15+18+20+25+35	1.49	1.78	1.98	2.48	3.47	-	11.20 ( 3.50 - 13.20 )	3.14 ( 0.93 - 5.80 )	13.80	99
15+18+20+25+42	1.45	1.74	1.93	2.42	4.06	-	11.60 ( 3.50 - 13.20 )	3.29 ( 0.93 - 5.78 )	14.44	99
15+18+20+25+50	1.39	1.67	1.86	2.32	4.65	-	11.89 ( 3.50 - 13.20 )	3.45 ( 0.93 - 5.76 )	15.17	99
15+18+20+25+60	1.30	1.57	1.74	2.17	5.22	-	12.00 ( 3.50 - 13.30 )	3.56 ( 0.93 - 5.78 )	15.62	99

**MXZ-6D122VA COOLING**

Indoor units combination	Cooling Capacity (kW)							Outdoor unit power consumption (kW)	Current (A)	Power factor (%)
	Unit A	Unit B	Unit C	Unit D	Unit E	Unit F	Total			
15+18+20+25+71	1.21	1.45	1.61	2.01	5.72	-	12.00 ( 3.50 - 13.30 )	3.59 ( 0.93 - 5.78 )	15.78	99
15+18+20+35+35	1.44	1.73	1.92	3.36	3.36	-	11.81 ( 3.50 - 13.20 )	3.35 ( 0.93 - 5.77 )	14.71	99
15+18+20+35+42	1.37	1.65	1.83	3.20	3.84	-	11.89 ( 3.50 - 13.20 )	3.49 ( 0.93 - 5.76 )	15.35	99
15+18+20+35+50	1.30	1.57	1.74	3.04	4.35	-	12.00 ( 3.50 - 13.30 )	3.56 ( 0.93 - 5.78 )	15.62	99
15+18+20+35+60	1.22	1.46	1.62	2.84	4.86	-	12.00 ( 3.50 - 13.30 )	3.59 ( 0.93 - 5.78 )	15.77	99
15+18+20+35+71	1.14	1.37	1.52	2.66	5.40	-	12.09 ( 3.50 - 13.30 )	3.62 ( 0.93 - 5.78 )	15.91	99
15+18+20+42+42	1.31	1.58	1.75	3.68	3.68	-	12.00 ( 3.50 - 13.30 )	3.55 ( 0.93 - 5.78 )	15.61	99
15+18+20+42+50	1.24	1.49	1.66	3.48	4.14	-	12.01 ( 3.50 - 13.30 )	3.58 ( 0.93 - 5.78 )	15.73	99
15+18+20+42+60	1.17	1.41	1.56	3.28	4.68	-	12.10 ( 3.50 - 13.30 )	3.61 ( 0.93 - 5.78 )	15.85	99
15+18+20+42+71	1.09	1.31	1.46	3.06	5.18	-	12.10 ( 3.50 - 13.30 )	3.65 ( 0.93 - 5.78 )	16.05	99
15+18+20+50+50	1.19	1.42	1.58	3.95	3.95	-	12.09 ( 3.50 - 13.30 )	3.60 ( 0.93 - 5.78 )	15.83	99
15+18+20+50+60	1.11	1.34	1.48	3.71	4.45	-	12.09 ( 3.50 - 13.30 )	3.64 ( 0.93 - 5.78 )	15.99	99
15+18+20+50+71	1.05	1.26	1.40	3.51	4.98	-	12.20 ( 3.50 - 13.40 )	3.66 ( 0.93 - 5.79 )	16.09	99
15+18+20+60+60	1.06	1.27	1.41	4.23	4.23	-	12.20 ( 3.50 - 13.40 )	3.66 ( 0.93 - 5.79 )	16.09	99
15+18+22+22+22	1.50	1.80	2.20	2.20	2.20	-	9.90 ( 3.50 - 11.70 )	2.78 ( 0.98 - 5.44 )	12.20	99
15+18+22+22+25	1.50	1.80	2.20	2.20	2.50	-	10.20 ( 3.50 - 12.10 )	2.90 ( 0.97 - 5.55 )	12.72	99
15+18+22+22+35	1.49	1.78	2.18	2.18	3.47	-	11.10 ( 3.50 - 13.20 )	3.12 ( 0.93 - 5.80 )	13.71	99
15+18+22+22+42	1.45	1.74	2.13	2.13	4.06	-	11.51 ( 3.50 - 13.20 )	3.27 ( 0.93 - 5.78 )	14.35	99
15+18+22+22+50	1.41	1.69	2.06	2.06	4.69	-	11.91 ( 3.50 - 13.20 )	3.43 ( 0.93 - 5.76 )	15.08	99
15+18+22+22+60	1.31	1.58	1.93	1.93	5.26	-	12.01 ( 3.50 - 13.30 )	3.55 ( 0.93 - 5.78 )	15.61	99
15+18+22+22+71	1.22	1.46	1.78	1.78	5.76	-	12.00 ( 3.50 - 13.30 )	3.59 ( 0.93 - 5.78 )	15.77	99
15+18+22+25+25	1.50	1.80	2.20	2.50	2.50	-	10.50 ( 3.50 - 12.50 )	2.96 ( 0.96 - 5.65 )	13.02	99
15+18+22+25+35	1.47	1.77	2.16	2.46	3.44	-	11.30 ( 3.50 - 13.20 )	3.18 ( 0.93 - 5.79 )	13.98	99
15+18+22+25+42	1.44	1.73	2.11	2.40	4.03	-	11.71 ( 3.50 - 13.20 )	3.33 ( 0.93 - 5.77 )	14.62	99
15+18+22+25+50	1.37	1.65	2.01	2.29	4.58	-	11.90 ( 3.50 - 13.20 )	3.49 ( 0.93 - 5.76 )	15.35	99
15+18+22+25+60	1.29	1.54	1.89	2.14	5.14	-	12.00 ( 3.50 - 13.30 )	3.56 ( 0.93 - 5.78 )	15.65	99
15+18+22+25+71	1.20	1.44	1.76	2.00	5.69	-	12.09 ( 3.50 - 13.30 )	3.60 ( 0.93 - 5.78 )	15.80	99
15+18+22+35+35	1.43	1.71	2.09	3.33	3.33	-	11.89 ( 3.50 - 13.20 )	3.39 ( 0.93 - 5.76 )	14.89	99
15+18+22+35+42	1.35	1.62	1.98	3.16	3.79	-	11.90 ( 3.50 - 13.20 )	3.54 ( 0.93 - 5.76 )	15.53	99
15+18+22+35+50	1.29	1.54	1.89	3.00	4.29	-	12.01 ( 3.50 - 13.30 )	3.56 ( 0.93 - 5.78 )	15.65	99
15+18+22+35+60	1.21	1.45	1.77	2.82	4.84	-	12.09 ( 3.50 - 13.30 )	3.60 ( 0.93 - 5.78 )	15.79	99
15+18+22+35+71	1.13	1.35	1.65	2.63	5.34	-	12.10 ( 3.50 - 13.30 )	3.63 ( 0.93 - 5.78 )	15.95	99
15+18+22+42+42	1.29	1.55	1.90	3.63	3.63	-	12.00 ( 3.50 - 13.30 )	3.56 ( 0.93 - 5.78 )	15.64	99
15+18+22+42+50	1.22	1.47	1.80	3.43	4.08	-	12.00 ( 3.50 - 13.30 )	3.59 ( 0.93 - 5.78 )	15.75	99
15+18+22+42+60	1.16	1.39	1.70	3.24	4.62	-	12.11 ( 3.50 - 13.30 )	3.62 ( 0.93 - 5.78 )	15.88	99
15+18+22+42+71	1.09	1.31	1.60	3.05	5.16	-	12.21 ( 3.50 - 13.40 )	3.66 ( 0.93 - 5.79 )	16.09	99

# MXZ-6D122VA COOLING

Indoor units combination	Cooling Capacity (kW)							Outdoor unit power consumption (kW)	Current (A)	Power factor (%)
	Unit A	Unit B	Unit C	Unit D	Unit E	Unit F	Total			
15+18+22+50+50	1.17	1.41	1.72	3.90	3.90	-	12.10 ( 3.50 - 13.30 )	3.61 ( 0.93 - 5.78 )	15.85	99
15+18+22+50+60	1.10	1.32	1.61	3.67	4.40	-	12.10 ( 3.50 - 13.30 )	3.65 ( 0.93 - 5.78 )	16.03	99
15+18+22+50+71	1.04	1.25	1.53	3.47	4.92	-	12.21 ( 3.50 - 13.40 )	3.66 ( 0.93 - 5.79 )	16.09	99
15+18+22+60+60	1.05	1.25	1.53	4.18	4.18	-	12.19 ( 3.50 - 13.40 )	3.66 ( 0.93 - 5.79 )	16.09	99
15+18+25+25+25	1.50	1.80	2.50	2.50	2.50	-	10.80 ( 3.50 - 12.90 )	3.03 ( 0.95 - 5.74 )	13.31	99
15+18+25+25+35	1.46	1.75	2.43	2.43	3.40	-	11.47 ( 3.50 - 13.20 )	3.25 ( 0.93 - 5.77 )	14.25	99
15+18+25+25+42	1.43	1.71	2.38	2.38	4.00	-	11.90 ( 3.50 - 13.20 )	3.39 ( 0.93 - 5.76 )	14.89	99
15+18+25+25+50	1.34	1.61	2.24	2.24	4.47	-	11.90 ( 3.50 - 13.20 )	3.54 ( 0.93 - 5.76 )	15.55	99
15+18+25+25+60	1.26	1.51	2.10	2.10	5.03	-	12.00 ( 3.50 - 13.30 )	3.57 ( 0.93 - 5.78 )	15.70	99
15+18+25+25+71	1.18	1.41	1.96	1.96	5.58	-	12.09 ( 3.50 - 13.30 )	3.61 ( 0.93 - 5.78 )	15.84	99
15+18+25+35+35	1.39	1.67	2.32	3.25	3.25	-	11.88 ( 3.50 - 13.20 )	3.45 ( 0.93 - 5.76 )	15.17	99
15+18+25+35+42	1.33	1.60	2.22	3.11	3.73	-	11.99 ( 3.50 - 13.30 )	3.55 ( 0.93 - 5.78 )	15.58	99
15+18+25+35+50	1.26	1.51	2.10	2.94	4.20	-	12.01 ( 3.50 - 13.30 )	3.57 ( 0.93 - 5.78 )	15.70	99
15+18+25+35+60	1.19	1.42	1.98	2.77	4.75	-	12.11 ( 3.50 - 13.30 )	3.60 ( 0.93 - 5.78 )	15.83	99
15+18+25+35+71	1.11	1.33	1.84	2.58	5.24	-	12.10 ( 3.50 - 13.30 )	3.65 ( 0.93 - 5.78 )	16.01	99
15+18+25+42+42	1.27	1.52	2.11	3.55	3.55	-	12.00 ( 3.50 - 13.30 )	3.57 ( 0.93 - 5.78 )	15.68	99
15+18+25+42+50	1.21	1.45	2.02	3.39	4.03	-	12.10 ( 3.50 - 13.30 )	3.60 ( 0.93 - 5.78 )	15.79	99
15+18+25+42+60	1.13	1.36	1.89	3.18	4.54	-	12.10 ( 3.50 - 13.30 )	3.63 ( 0.93 - 5.78 )	15.93	99
15+18+25+42+71	1.07	1.28	1.78	3.00	5.07	-	12.20 ( 3.50 - 13.40 )	3.66 ( 0.93 - 5.79 )	16.09	99
15+18+25+50+50	1.15	1.38	1.91	3.83	3.83	-	12.10 ( 3.50 - 13.30 )	3.62 ( 0.93 - 5.78 )	15.89	99
15+18+25+50+60	1.09	1.31	1.82	3.63	4.36	-	12.21 ( 3.50 - 13.40 )	3.66 ( 0.93 - 5.79 )	16.09	99
15+18+25+50+71	1.02	1.23	1.70	3.41	4.84	-	12.20 ( 3.50 - 13.40 )	3.66 ( 0.93 - 5.79 )	16.09	99
15+18+25+60+60	1.03	1.23	1.71	4.11	4.11	-	12.19 ( 3.50 - 13.40 )	3.66 ( 0.93 - 5.79 )	16.09	99
15+18+35+35+35	1.30	1.57	3.04	3.04	3.04	-	11.99 ( 3.50 - 13.30 )	3.56 ( 0.93 - 5.78 )	15.62	99
15+18+35+35+42	1.24	1.49	2.90	2.90	3.48	-	12.01 ( 3.50 - 13.30 )	3.58 ( 0.93 - 5.78 )	15.73	99
15+18+35+35+50	1.19	1.42	2.77	2.77	3.95	-	12.10 ( 3.50 - 13.30 )	3.60 ( 0.93 - 5.78 )	15.83	99
15+18+35+35+60	1.11	1.34	2.60	2.60	4.45	-	12.10 ( 3.50 - 13.30 )	3.64 ( 0.93 - 5.78 )	15.99	99
15+18+35+35+71	1.05	1.26	2.45	2.45	4.98	-	12.19 ( 3.50 - 13.40 )	3.66 ( 0.93 - 5.79 )	16.09	99
15+18+35+42+42	1.19	1.43	2.79	3.34	3.34	-	12.09 ( 3.50 - 13.30 )	3.60 ( 0.93 - 5.78 )	15.82	99
15+18+35+42+50	1.13	1.36	2.65	3.18	3.78	-	12.10 ( 3.50 - 13.30 )	3.63 ( 0.93 - 5.78 )	15.93	99
15+18+35+42+60	1.08	1.29	2.51	3.01	4.31	-	12.20 ( 3.50 - 13.40 )	3.66 ( 0.93 - 5.79 )	16.09	99
15+18+35+50+50	1.09	1.31	2.54	3.63	3.63	-	12.20 ( 3.50 - 13.40 )	3.66 ( 0.93 - 5.79 )	16.09	99
15+18+35+50+60	1.03	1.23	2.40	3.43	4.11	-	12.20 ( 3.50 - 13.40 )	3.66 ( 0.93 - 5.79 )	16.09	99
15+18+42+42+42	1.14	1.37	3.20	3.20	3.20	-	12.11 ( 3.50 - 13.30 )	3.62 ( 0.93 - 5.78 )	15.91	99
15+18+42+42+50	1.10	1.31	3.07	3.07	3.65	-	12.20 ( 3.50 - 13.40 )	3.66 ( 0.93 - 5.79 )	16.07	99
15+18+42+42+60	1.03	1.24	2.89	2.89	4.14	-	12.19 ( 3.50 - 13.40 )	3.66 ( 0.93 - 5.79 )	16.09	99

# MXZ-6D122VA COOLING

Indoor units combination	Cooling Capacity (kW)							Outdoor unit power consumption (kW)	Current (A)	Power factor (%)
	Unit A	Unit B	Unit C	Unit D	Unit E	Unit F	Total			
15+18+42+50+50	1.05	1.25	2.93	3.49	3.49	-	12.21 ( 3.50 - 13.40 )	3.66 ( 0.93 - 5.79 )	16.09	99
15+20+20+20+20	1.50	2.00	2.00	2.00	2.00	-	9.50 ( 3.50 - 11.50 )	2.59 ( 0.98 - 5.35 )	11.36	99
15+20+20+20+22	1.50	2.00	2.00	2.00	2.20	-	9.70 ( 3.50 - 11.60 )	2.68 ( 0.98 - 5.39 )	11.78	99
15+20+20+20+25	1.50	2.00	2.00	2.00	2.50	-	10.00 ( 3.50 - 11.80 )	2.83 ( 0.98 - 5.48 )	12.41	99
15+20+20+20+35	1.50	2.00	2.00	2.00	3.50	-	11.00 ( 3.50 - 13.20 )	3.08 ( 0.93 - 5.81 )	13.51	99
15+20+20+20+42	1.46	1.95	1.95	1.95	4.09	-	11.40 ( 3.50 - 13.20 )	3.22 ( 0.93 - 5.79 )	14.16	99
15+20+20+20+50	1.43	1.90	1.90	1.90	4.76	-	11.89 ( 3.50 - 13.20 )	3.39 ( 0.93 - 5.76 )	14.89	99
15+20+20+20+60	1.33	1.78	1.78	1.78	5.33	-	12.00 ( 3.50 - 13.30 )	3.55 ( 0.93 - 5.78 )	15.58	99
15+20+20+20+71	1.23	1.64	1.64	1.64	5.84	-	11.99 ( 3.50 - 13.30 )	3.58 ( 0.93 - 5.78 )	15.74	99
15+20+20+22+22	1.50	2.00	2.00	2.20	2.20	-	9.90 ( 3.50 - 11.70 )	2.78 ( 0.98 - 5.44 )	12.20	99
15+20+20+22+25	1.50	2.00	2.00	2.20	2.50	-	10.20 ( 3.50 - 12.10 )	2.90 ( 0.97 - 5.55 )	12.72	99
15+20+20+22+35	1.49	1.98	1.98	2.18	3.47	-	11.10 ( 3.50 - 13.20 )	3.12 ( 0.93 - 5.80 )	13.71	99
15+20+20+22+42	1.45	1.93	1.93	2.13	4.06	-	11.50 ( 3.50 - 13.20 )	3.27 ( 0.93 - 5.78 )	14.35	99
15+20+20+22+50	1.41	1.87	1.87	2.06	4.69	-	11.90 ( 3.50 - 13.20 )	3.43 ( 0.93 - 5.76 )	15.08	99
15+20+20+22+60	1.31	1.75	1.75	1.93	5.26	-	12.00 ( 3.50 - 13.30 )	3.55 ( 0.93 - 5.78 )	15.61	99
15+20+20+22+71	1.22	1.62	1.62	1.78	5.76	-	12.00 ( 3.50 - 13.30 )	3.59 ( 0.93 - 5.78 )	15.77	99
15+20+20+25+25	1.50	2.00	2.00	2.50	2.50	-	10.50 ( 3.50 - 12.50 )	2.96 ( 0.96 - 5.65 )	13.02	99
15+20+20+25+35	1.47	1.97	1.97	2.46	3.44	-	11.31 ( 3.50 - 13.20 )	3.18 ( 0.93 - 5.79 )	13.98	99
15+20+20+25+42	1.44	1.92	1.92	2.40	4.03	-	11.71 ( 3.50 - 13.20 )	3.33 ( 0.93 - 5.77 )	14.62	99
15+20+20+25+50	1.37	1.83	1.83	2.29	4.58	-	11.90 ( 3.50 - 13.20 )	3.49 ( 0.93 - 5.76 )	15.35	99
15+20+20+25+60	1.29	1.71	1.71	2.14	5.14	-	11.99 ( 3.50 - 13.30 )	3.56 ( 0.93 - 5.78 )	15.65	99
15+20+20+25+71	1.20	1.60	1.60	2.00	5.69	-	12.09 ( 3.50 - 13.30 )	3.60 ( 0.93 - 5.78 )	15.80	99
15+20+20+35+35	1.43	1.90	1.90	3.33	3.33	-	11.89 ( 3.50 - 13.20 )	3.39 ( 0.93 - 5.76 )	14.89	99
15+20+20+35+42	1.35	1.80	1.80	3.16	3.79	-	11.90 ( 3.50 - 13.20 )	3.54 ( 0.93 - 5.76 )	15.53	99
15+20+20+35+50	1.29	1.71	1.71	3.00	4.29	-	12.00 ( 3.50 - 13.30 )	3.56 ( 0.93 - 5.78 )	15.65	99
15+20+20+35+60	1.21	1.61	1.61	2.82	4.84	-	12.09 ( 3.50 - 13.30 )	3.60 ( 0.93 - 5.78 )	15.79	99
15+20+20+35+71	1.13	1.50	1.50	2.63	5.34	-	12.10 ( 3.50 - 13.30 )	3.63 ( 0.93 - 5.78 )	15.95	99
15+20+20+42+42	1.29	1.73	1.73	3.63	3.63	-	12.01 ( 3.50 - 13.30 )	3.56 ( 0.93 - 5.78 )	15.64	99
15+20+20+42+50	1.22	1.63	1.63	3.43	4.08	-	11.99 ( 3.50 - 13.30 )	3.59 ( 0.93 - 5.78 )	15.75	99
15+20+20+42+60	1.16	1.54	1.54	3.24	4.62	-	12.10 ( 3.50 - 13.30 )	3.62 ( 0.93 - 5.78 )	15.88	99
15+20+20+42+71	1.09	1.45	1.45	3.05	5.16	-	12.20 ( 3.50 - 13.40 )	3.66 ( 0.93 - 5.79 )	16.09	99
15+20+20+50+50	1.17	1.56	1.56	3.90	3.90	-	12.09 ( 3.50 - 13.30 )	3.61 ( 0.93 - 5.78 )	15.85	99
15+20+20+50+60	1.10	1.47	1.47	3.67	4.40	-	12.11 ( 3.50 - 13.30 )	3.65 ( 0.93 - 5.78 )	16.03	99
15+20+20+50+71	1.04	1.39	1.39	3.47	4.92	-	12.21 ( 3.50 - 13.40 )	3.66 ( 0.93 - 5.79 )	16.09	99
15+20+20+60+60	1.05	1.39	1.39	4.18	4.18	-	12.19 ( 3.50 - 13.40 )	3.66 ( 0.93 - 5.79 )	16.09	99
15+20+22+22+22	1.50	2.00	2.20	2.20	2.20	-	10.10 ( 3.50 - 11.90 )	2.87 ( 0.98 - 5.50 )	12.62	99

## MXZ-6D122VA COOLING

Indoor units combination	Cooling Capacity (kW)						Outdoor unit power consumption (kW)	Current (A)	Power factor (%)	
	Unit A	Unit B	Unit C	Unit D	Unit E	Unit F				Total
15+20+22+22+25	1.50	2.00	2.20	2.20	2.50	-	10.40 ( 3.50 - 12.40 )	2.94 ( 0.96 - 5.62 )	12.92	99
15+20+22+22+35	1.47	1.96	2.16	2.16	3.44	-	11.19 ( 3.50 - 13.20 )	3.16 ( 0.93 - 5.80 )	13.89	99
15+20+22+22+42	1.45	1.93	2.13	2.13	4.06	-	11.70 ( 3.50 - 13.20 )	3.31 ( 0.93 - 5.77 )	14.53	99
15+20+22+22+50	1.38	1.84	2.03	2.03	4.61	-	11.89 ( 3.50 - 13.20 )	3.47 ( 0.93 - 5.76 )	15.26	99
15+20+22+22+60	1.29	1.73	1.90	1.90	5.18	-	12.00 ( 3.50 - 13.30 )	3.56 ( 0.93 - 5.78 )	15.64	99
15+20+22+22+71	1.21	1.61	1.77	1.77	5.73	-	12.09 ( 3.50 - 13.30 )	3.60 ( 0.93 - 5.78 )	15.79	99
15+20+22+25+25	1.50	2.00	2.20	2.50	2.50	-	10.70 ( 3.50 - 12.80 )	3.01 ( 0.95 - 5.72 )	13.22	99
15+20+22+25+35	1.46	1.95	2.14	2.44	3.41	-	11.40 ( 3.50 - 13.20 )	3.22 ( 0.93 - 5.79 )	14.16	99
15+20+22+25+42	1.43	1.90	2.09	2.38	4.00	-	11.80 ( 3.50 - 13.20 )	3.37 ( 0.93 - 5.76 )	14.80	99
15+20+22+25+50	1.35	1.80	1.98	2.25	4.51	-	11.89 ( 3.50 - 13.20 )	3.54 ( 0.93 - 5.76 )	15.53	99
15+20+22+25+60	1.27	1.69	1.86	2.11	5.07	-	12.00 ( 3.50 - 13.30 )	3.57 ( 0.93 - 5.78 )	15.68	99
15+20+22+25+71	1.19	1.58	1.74	1.98	5.62	-	12.11 ( 3.50 - 13.30 )	3.60 ( 0.93 - 5.78 )	15.83	99
15+20+22+35+35	1.41	1.87	2.06	3.28	3.28	-	11.90 ( 3.50 - 13.20 )	3.43 ( 0.93 - 5.76 )	15.08	99
15+20+22+35+42	1.34	1.79	1.97	3.13	3.76	-	11.99 ( 3.50 - 13.30 )	3.54 ( 0.93 - 5.78 )	15.56	99
15+20+22+35+50	1.27	1.69	1.86	2.96	4.23	-	12.01 ( 3.50 - 13.30 )	3.57 ( 0.93 - 5.78 )	15.68	99
15+20+22+35+60	1.19	1.59	1.75	2.79	4.78	-	12.10 ( 3.50 - 13.30 )	3.60 ( 0.93 - 5.78 )	15.82	99
15+20+22+35+71	1.11	1.48	1.63	2.60	5.27	-	12.09 ( 3.50 - 13.30 )	3.64 ( 0.93 - 5.78 )	15.99	99
15+20+22+42+42	1.28	1.70	1.87	3.57	3.57	-	11.99 ( 3.50 - 13.30 )	3.57 ( 0.93 - 5.78 )	15.67	99
15+20+22+42+50	1.21	1.61	1.77	3.38	4.03	-	12.00 ( 3.50 - 13.30 )	3.59 ( 0.93 - 5.78 )	15.78	99
15+20+22+42+60	1.14	1.52	1.67	3.20	4.57	-	12.10 ( 3.50 - 13.30 )	3.62 ( 0.93 - 5.78 )	15.91	99
15+20+22+42+71	1.08	1.44	1.58	3.01	5.10	-	12.21 ( 3.50 - 13.40 )	3.66 ( 0.93 - 5.79 )	16.09	99
15+20+22+50+50	1.16	1.54	1.70	3.85	3.85	-	12.10 ( 3.50 - 13.30 )	3.62 ( 0.93 - 5.78 )	15.88	99
15+20+22+50+60	1.10	1.46	1.61	3.65	4.38	-	12.20 ( 3.50 - 13.40 )	3.66 ( 0.93 - 5.79 )	16.07	99
15+20+22+50+71	1.03	1.37	1.51	3.43	4.87	-	12.21 ( 3.50 - 13.40 )	3.66 ( 0.93 - 5.79 )	16.09	99
15+20+22+60+60	1.03	1.38	1.52	4.14	4.14	-	12.21 ( 3.50 - 13.40 )	3.66 ( 0.93 - 5.79 )	16.09	99
15+20+25+25+25	1.50	2.00	2.50	2.50	2.50	-	11.00 ( 3.50 - 13.20 )	3.08 ( 0.93 - 5.81 )	13.51	99
15+20+25+25+35	1.45	1.93	2.42	2.42	3.38	-	11.60 ( 3.50 - 13.20 )	3.29 ( 0.93 - 5.78 )	14.44	99
15+20+25+25+42	1.41	1.87	2.34	2.34	3.94	-	11.90 ( 3.50 - 13.20 )	3.43 ( 0.93 - 5.76 )	15.08	99
15+20+25+25+50	1.33	1.78	2.22	2.22	4.44	-	11.99 ( 3.50 - 13.30 )	3.55 ( 0.93 - 5.78 )	15.58	99
15+20+25+25+60	1.24	1.66	2.07	2.07	4.97	-	12.01 ( 3.50 - 13.30 )	3.58 ( 0.93 - 5.78 )	15.73	99
15+20+25+25+71	1.16	1.55	1.94	1.94	5.51	-	12.10 ( 3.50 - 13.30 )	3.61 ( 0.93 - 5.78 )	15.87	99
15+20+25+35+35	1.37	1.83	2.29	3.20	3.20	-	11.89 ( 3.50 - 13.20 )	3.49 ( 0.93 - 5.76 )	15.35	99
15+20+25+35+42	1.31	1.75	2.19	3.07	3.68	-	12.00 ( 3.50 - 13.30 )	3.55 ( 0.93 - 5.78 )	15.61	99
15+20+25+35+50	1.24	1.66	2.07	2.90	4.14	-	12.01 ( 3.50 - 13.30 )	3.58 ( 0.93 - 5.78 )	15.73	99
15+20+25+35+60	1.17	1.56	1.95	2.73	4.68	-	12.09 ( 3.50 - 13.30 )	3.61 ( 0.93 - 5.78 )	15.85	99
15+20+25+35+71	1.09	1.46	1.82	2.55	5.18	-	12.10 ( 3.50 - 13.30 )	3.65 ( 0.93 - 5.78 )	16.05	99

# MXZ-6D122VA COOLING

Indoor units combination	Cooling Capacity (kW)							Outdoor unit power consumption (kW)	Current (A)	Power factor (%)
	Unit A	Unit B	Unit C	Unit D	Unit E	Unit F	Total			
15+20+25+42+42	1.25	1.67	2.08	3.50	3.50	-	12.00 ( 3.50 - 13.30 )	3.58 ( 0.93 - 5.78 )	15.71	99
15+20+25+42+50	1.19	1.59	1.99	3.34	3.98	-	12.09 ( 3.50 - 13.30 )	3.60 ( 0.93 - 5.78 )	15.82	99
15+20+25+42+60	1.12	1.49	1.87	3.14	4.48	-	12.10 ( 3.50 - 13.30 )	3.64 ( 0.93 - 5.78 )	15.97	99
15+20+25+42+71	1.06	1.41	1.76	2.96	5.01	-	12.20 ( 3.50 - 13.40 )	3.66 ( 0.93 - 5.79 )	16.09	99
15+20+25+50+50	1.13	1.51	1.89	3.78	3.78	-	12.09 ( 3.50 - 13.30 )	3.63 ( 0.93 - 5.78 )	15.93	99
15+20+25+50+60	1.08	1.44	1.79	3.59	4.31	-	12.21 ( 3.50 - 13.40 )	3.66 ( 0.93 - 5.79 )	16.09	99
15+20+25+60+60	1.02	1.36	1.69	4.07	4.07	-	12.21 ( 3.50 - 13.40 )	3.66 ( 0.93 - 5.79 )	16.09	99
15+20+35+35+35	1.29	1.71	3.00	3.00	3.00	-	12.00 ( 3.50 - 13.30 )	3.56 ( 0.93 - 5.78 )	15.65	99
15+20+35+35+42	1.22	1.63	2.86	2.86	3.43	-	12.00 ( 3.50 - 13.30 )	3.59 ( 0.93 - 5.78 )	15.75	99
15+20+35+35+50	1.17	1.56	2.73	2.73	3.90	-	12.09 ( 3.50 - 13.30 )	3.61 ( 0.93 - 5.78 )	15.85	99
15+20+35+35+60	1.10	1.47	2.57	2.57	4.40	-	12.11 ( 3.50 - 13.30 )	3.65 ( 0.93 - 5.78 )	16.03	99
15+20+35+35+71	1.04	1.39	2.43	2.43	4.92	-	12.21 ( 3.50 - 13.40 )	3.66 ( 0.93 - 5.79 )	16.09	99
15+20+35+42+42	1.18	1.57	2.75	3.30	3.30	-	12.10 ( 3.50 - 13.30 )	3.61 ( 0.93 - 5.78 )	15.84	99
15+20+35+42+50	1.12	1.49	2.61	3.14	3.73	-	12.09 ( 3.50 - 13.30 )	3.64 ( 0.93 - 5.78 )	15.97	99
15+20+35+42+60	1.06	1.42	2.48	2.98	4.26	-	12.20 ( 3.50 - 13.40 )	3.66 ( 0.93 - 5.79 )	16.09	99
15+20+35+50+50	1.08	1.44	2.51	3.59	3.59	-	12.21 ( 3.50 - 13.40 )	3.66 ( 0.93 - 5.79 )	16.09	99
15+20+35+50+60	1.02	1.36	2.37	3.39	4.07	-	12.21 ( 3.50 - 13.40 )	3.66 ( 0.93 - 5.79 )	16.09	99
15+20+42+42+42	1.13	1.50	3.16	3.16	3.16	-	12.11 ( 3.50 - 13.30 )	3.63 ( 0.93 - 5.78 )	15.95	99
15+20+42+42+50	1.08	1.44	3.03	3.03	3.61	-	12.19 ( 3.50 - 13.40 )	3.66 ( 0.93 - 5.79 )	16.09	99
15+20+42+42+60	1.02	1.36	2.86	2.86	4.09	-	12.19 ( 3.50 - 13.40 )	3.66 ( 0.93 - 5.79 )	16.09	99
15+20+42+50+50	1.03	1.38	2.89	3.45	3.45	-	12.20 ( 3.50 - 13.40 )	3.66 ( 0.93 - 5.79 )	16.09	99
15+22+22+22+22	1.50	2.20	2.20	2.20	2.20	-	10.30 ( 3.50 - 12.20 )	2.92 ( 0.97 - 5.57 )	12.82	99
15+22+22+22+25	1.50	2.20	2.20	2.20	2.50	-	10.60 ( 3.50 - 12.60 )	2.99 ( 0.96 - 5.67 )	13.12	99
15+22+22+22+35	1.47	2.16	2.16	2.16	3.44	-	11.39 ( 3.50 - 13.20 )	3.20 ( 0.93 - 5.79 )	14.07	99
15+22+22+22+42	1.44	2.11	2.11	2.11	4.03	-	11.80 ( 3.50 - 13.20 )	3.35 ( 0.93 - 5.77 )	14.71	99
15+22+22+22+50	1.36	2.00	2.00	2.00	4.54	-	11.90 ( 3.50 - 13.20 )	3.52 ( 0.93 - 5.76 )	15.44	99
15+22+22+22+60	1.28	1.87	1.87	1.87	5.11	-	12.00 ( 3.50 - 13.30 )	3.57 ( 0.93 - 5.78 )	15.67	99
15+22+22+22+71	1.19	1.75	1.75	1.75	5.65	-	12.09 ( 3.50 - 13.30 )	3.60 ( 0.93 - 5.78 )	15.82	99
15+22+22+25+25	1.50	2.20	2.20	2.50	2.50	-	10.90 ( 3.50 - 13.10 )	3.05 ( 0.93 - 5.79 )	13.41	99
15+22+22+25+35	1.45	2.13	2.13	2.42	3.38	-	11.51 ( 3.50 - 13.20 )	3.27 ( 0.93 - 5.78 )	14.35	99
15+22+22+25+42	1.42	2.08	2.08	2.36	3.97	-	11.91 ( 3.50 - 13.20 )	3.41 ( 0.93 - 5.76 )	14.98	99
15+22+22+25+50	1.34	1.97	1.97	2.24	4.48	-	12.00 ( 3.50 - 13.30 )	3.54 ( 0.93 - 5.78 )	15.56	99
15+22+22+25+60	1.25	1.83	1.83	2.08	5.00	-	11.99 ( 3.50 - 13.30 )	3.58 ( 0.93 - 5.78 )	15.71	99
15+22+22+25+71	1.17	1.72	1.72	1.95	5.54	-	12.10 ( 3.50 - 13.30 )	3.61 ( 0.93 - 5.78 )	15.85	99
15+22+22+35+35	1.38	2.03	2.03	3.23	3.23	-	11.90 ( 3.50 - 13.20 )	3.47 ( 0.93 - 5.76 )	15.26	99
15+22+22+35+42	1.32	1.94	1.94	3.09	3.71	-	12.00 ( 3.50 - 13.30 )	3.55 ( 0.93 - 5.78 )	15.59	99

# MXZ-6D122VA COOLING

Indoor units combination	Cooling Capacity (kW)							Outdoor unit power consumption (kW)	Current (A)	Power factor (%)
	Unit A	Unit B	Unit C	Unit D	Unit E	Unit F	Total			
15+22+22+35+50	1.25	1.83	1.83	2.92	4.17	-	12.00 ( 3.50 - 13.30 )	3.58 ( 0.93 - 5.78 )	15.71	99
15+22+22+35+60	1.18	1.73	1.73	2.75	4.71	-	12.10 ( 3.50 - 13.30 )	3.61 ( 0.93 - 5.78 )	15.84	99
15+22+22+35+71	1.10	1.61	1.61	2.57	5.21	-	12.10 ( 3.50 - 13.30 )	3.65 ( 0.93 - 5.78 )	16.03	99
15+22+22+42+42	1.26	1.85	1.85	3.52	3.52	-	12.00 ( 3.50 - 13.30 )	3.57 ( 0.93 - 5.78 )	15.70	99
15+22+22+42+50	1.20	1.76	1.76	3.37	4.01	-	12.10 ( 3.50 - 13.30 )	3.60 ( 0.93 - 5.78 )	15.80	99
15+22+22+42+60	1.13	1.65	1.65	3.16	4.51	-	12.10 ( 3.50 - 13.30 )	3.63 ( 0.93 - 5.78 )	15.95	99
15+22+22+42+71	1.06	1.56	1.56	2.98	5.04	-	12.20 ( 3.50 - 13.40 )	3.66 ( 0.93 - 5.79 )	16.09	99
15+22+22+50+50	1.14	1.67	1.67	3.81	3.81	-	12.10 ( 3.50 - 13.30 )	3.62 ( 0.93 - 5.78 )	15.91	99
15+22+22+50+60	1.08	1.59	1.59	3.61	4.33	-	12.20 ( 3.50 - 13.40 )	3.66 ( 0.93 - 5.79 )	16.09	99
15+22+22+50+71	1.02	1.49	1.49	3.39	4.81	-	12.20 ( 3.50 - 13.40 )	3.66 ( 0.93 - 5.79 )	16.09	99
15+22+22+60+60	1.02	1.50	1.50	4.09	4.09	-	12.20 ( 3.50 - 13.40 )	3.66 ( 0.93 - 5.79 )	16.09	99
15+22+25+25+25	1.49	2.18	2.48	2.48	2.48	-	11.11 ( 3.50 - 13.20 )	3.12 ( 0.93 - 5.80 )	13.71	99
15+22+25+25+35	1.44	2.11	2.40	2.40	3.36	-	11.71 ( 3.50 - 13.20 )	3.33 ( 0.93 - 5.77 )	14.62	99
15+22+25+25+42	1.38	2.03	2.31	2.31	3.87	-	11.90 ( 3.50 - 13.20 )	3.47 ( 0.93 - 5.76 )	15.26	99
15+22+25+25+50	1.31	1.93	2.19	2.19	4.38	-	12.00 ( 3.50 - 13.30 )	3.55 ( 0.93 - 5.78 )	15.61	99
15+22+25+25+60	1.22	1.80	2.04	2.04	4.90	-	12.00 ( 3.50 - 13.30 )	3.59 ( 0.93 - 5.78 )	15.75	99
15+22+25+25+71	1.15	1.68	1.91	1.91	5.44	-	12.09 ( 3.50 - 13.30 )	3.62 ( 0.93 - 5.78 )	15.89	99
15+22+25+35+35	1.35	1.98	2.25	3.16	3.16	-	11.90 ( 3.50 - 13.20 )	3.54 ( 0.93 - 5.76 )	15.53	99
15+22+25+35+42	1.29	1.90	2.16	3.02	3.63	-	12.00 ( 3.50 - 13.30 )	3.56 ( 0.93 - 5.78 )	15.64	99
15+22+25+35+50	1.22	1.80	2.04	2.86	4.08	-	12.00 ( 3.50 - 13.30 )	3.59 ( 0.93 - 5.78 )	15.75	99
15+22+25+35+60	1.16	1.70	1.93	2.70	4.62	-	12.11 ( 3.50 - 13.30 )	3.62 ( 0.93 - 5.78 )	15.88	99
15+22+25+35+71	1.09	1.60	1.82	2.54	5.16	-	12.21 ( 3.50 - 13.40 )	3.66 ( 0.93 - 5.79 )	16.09	99
15+22+25+42+42	1.23	1.81	2.05	3.45	3.45	-	11.99 ( 3.50 - 13.30 )	3.58 ( 0.93 - 5.78 )	15.74	99
15+22+25+42+50	1.18	1.73	1.96	3.30	3.93	-	12.10 ( 3.50 - 13.30 )	3.61 ( 0.93 - 5.78 )	15.84	99
15+22+25+42+60	1.11	1.62	1.84	3.10	4.43	-	12.10 ( 3.50 - 13.30 )	3.65 ( 0.93 - 5.78 )	16.01	99
15+22+25+42+71	1.05	1.53	1.74	2.93	4.95	-	12.20 ( 3.50 - 13.40 )	3.66 ( 0.93 - 5.79 )	16.09	99
15+22+25+50+50	1.12	1.64	1.87	3.73	3.73	-	12.09 ( 3.50 - 13.30 )	3.64 ( 0.93 - 5.78 )	15.97	99
15+22+25+50+60	1.06	1.56	1.77	3.55	4.26	-	12.20 ( 3.50 - 13.40 )	3.66 ( 0.93 - 5.79 )	16.09	99
15+22+35+35+35	1.27	1.86	2.96	2.96	2.96	-	12.01 ( 3.50 - 13.30 )	3.57 ( 0.93 - 5.78 )	15.68	99
15+22+35+35+42	1.21	1.77	2.82	2.82	3.38	-	12.00 ( 3.50 - 13.30 )	3.59 ( 0.93 - 5.78 )	15.78	99
15+22+35+35+50	1.16	1.70	2.70	2.70	3.85	-	12.11 ( 3.50 - 13.30 )	3.62 ( 0.93 - 5.78 )	15.88	99
15+22+35+35+60	1.10	1.61	2.56	2.56	4.38	-	12.21 ( 3.50 - 13.40 )	3.66 ( 0.93 - 5.79 )	16.07	99
15+22+35+35+71	1.03	1.51	2.40	2.40	4.87	-	12.21 ( 3.50 - 13.40 )	3.66 ( 0.93 - 5.79 )	16.09	99
15+22+35+42+42	1.16	1.71	2.71	3.26	3.26	-	12.10 ( 3.50 - 13.30 )	3.61 ( 0.93 - 5.78 )	15.87	99
15+22+35+42+50	1.11	1.62	2.58	3.10	3.69	-	12.10 ( 3.50 - 13.30 )	3.65 ( 0.93 - 5.78 )	16.01	99
15+22+35+42+60	1.05	1.54	2.45	2.94	4.21	-	12.19 ( 3.50 - 13.40 )	3.66 ( 0.93 - 5.79 )	16.09	99

# MXZ-6D122VA COOLING

Indoor units combination	Cooling Capacity (kW)							Outdoor unit power consumption (kW)	Current (A)	Power factor (%)
	Unit A	Unit B	Unit C	Unit D	Unit E	Unit F	Total			
15+22+35+50+50	1.06	1.56	2.48	3.55	3.55	-	12.20 ( 3.50 - 13.40 )	3.66 ( 0.93 - 5.79 )	16.09	99
15+22+42+42+42	1.11	1.63	3.12	3.12	3.12	-	12.10 ( 3.50 - 13.30 )	3.64 ( 0.93 - 5.78 )	15.99	99
15+22+42+42+50	1.07	1.57	3.00	3.00	3.57	-	12.21 ( 3.50 - 13.40 )	3.66 ( 0.93 - 5.79 )	16.09	99
15+22+42+50+50	1.02	1.50	2.86	3.41	3.41	-	12.20 ( 3.50 - 13.40 )	3.66 ( 0.93 - 5.79 )	16.09	99
15+25+25+25+25	1.47	2.46	2.46	2.46	2.46	-	11.31 ( 3.50 - 13.20 )	3.18 ( 0.93 - 5.79 )	13.98	99
15+25+25+25+35	1.43	2.38	2.38	2.38	3.33	-	11.90 ( 3.50 - 13.20 )	3.39 ( 0.93 - 5.76 )	14.89	99
15+25+25+25+42	1.35	2.25	2.25	2.25	3.79	-	11.89 ( 3.50 - 13.20 )	3.54 ( 0.93 - 5.76 )	15.53	99
15+25+25+25+50	1.29	2.14	2.14	2.14	4.29	-	12.00 ( 3.50 - 13.30 )	3.56 ( 0.93 - 5.78 )	15.65	99
15+25+25+25+60	1.21	2.02	2.02	2.02	4.84	-	12.11 ( 3.50 - 13.30 )	3.60 ( 0.93 - 5.78 )	15.79	99
15+25+25+25+71	1.13	1.88	1.88	1.88	5.34	-	12.11 ( 3.50 - 13.30 )	3.63 ( 0.93 - 5.78 )	15.95	99
15+25+25+35+35	1.33	2.22	2.22	3.11	3.11	-	11.99 ( 3.50 - 13.30 )	3.55 ( 0.93 - 5.78 )	15.58	99
15+25+25+35+42	1.27	2.11	2.11	2.96	3.55	-	12.00 ( 3.50 - 13.30 )	3.57 ( 0.93 - 5.78 )	15.68	99
15+25+25+35+50	1.21	2.02	2.02	2.82	4.03	-	12.10 ( 3.50 - 13.30 )	3.60 ( 0.93 - 5.78 )	15.79	99
15+25+25+35+60	1.13	1.89	1.89	2.65	4.54	-	12.10 ( 3.50 - 13.30 )	3.63 ( 0.93 - 5.78 )	15.93	99
15+25+25+35+71	1.07	1.78	1.78	2.50	5.07	-	12.20 ( 3.50 - 13.40 )	3.66 ( 0.93 - 5.79 )	16.09	99
15+25+25+42+42	1.21	2.01	2.01	3.38	3.38	-	11.99 ( 3.50 - 13.30 )	3.59 ( 0.93 - 5.78 )	15.78	99
15+25+25+42+50	1.16	1.93	1.93	3.24	3.85	-	12.11 ( 3.50 - 13.30 )	3.62 ( 0.93 - 5.78 )	15.88	99
15+25+25+42+60	1.10	1.83	1.83	3.07	4.38	-	12.21 ( 3.50 - 13.40 )	3.66 ( 0.93 - 5.79 )	16.07	99
15+25+25+42+71	1.03	1.71	1.71	2.88	4.87	-	12.20 ( 3.50 - 13.40 )	3.66 ( 0.93 - 5.79 )	16.09	99
15+25+25+50+50	1.10	1.83	1.83	3.67	3.67	-	12.10 ( 3.50 - 13.30 )	3.65 ( 0.93 - 5.78 )	16.03	99
15+25+25+50+60	1.05	1.74	1.74	3.49	4.18	-	12.20 ( 3.50 - 13.40 )	3.66 ( 0.93 - 5.79 )	16.09	99
15+25+35+35+35	1.24	2.07	2.90	2.90	2.90	-	12.01 ( 3.50 - 13.30 )	3.58 ( 0.93 - 5.78 )	15.73	99
15+25+35+35+42	1.19	1.99	2.79	2.79	3.34	-	12.10 ( 3.50 - 13.30 )	3.60 ( 0.93 - 5.78 )	15.82	99
15+25+35+35+50	1.13	1.89	2.65	2.65	3.78	-	12.10 ( 3.50 - 13.30 )	3.63 ( 0.93 - 5.78 )	15.93	99
15+25+35+35+60	1.08	1.79	2.51	2.51	4.31	-	12.20 ( 3.50 - 13.40 )	3.66 ( 0.93 - 5.79 )	16.09	99
15+25+35+42+42	1.14	1.90	2.66	3.20	3.20	-	12.10 ( 3.50 - 13.30 )	3.62 ( 0.93 - 5.78 )	15.91	99
15+25+35+42+50	1.10	1.83	2.56	3.07	3.65	-	12.21 ( 3.50 - 13.40 )	3.66 ( 0.93 - 5.79 )	16.07	99
15+25+35+42+60	1.03	1.72	2.41	2.89	4.14	-	12.19 ( 3.50 - 13.40 )	3.66 ( 0.93 - 5.79 )	16.09	99
15+25+35+50+50	1.05	1.74	2.44	3.49	3.49	-	12.21 ( 3.50 - 13.40 )	3.66 ( 0.93 - 5.79 )	16.09	99
15+25+42+42+42	1.09	1.82	3.06	3.06	3.06	-	12.09 ( 3.50 - 13.30 )	3.65 ( 0.93 - 5.78 )	16.05	99
15+25+42+42+50	1.05	1.75	2.94	2.94	3.51	-	12.19 ( 3.50 - 13.40 )	3.66 ( 0.93 - 5.79 )	16.09	99
15+35+35+35+35	1.17	2.73	2.73	2.73	2.73	-	12.09 ( 3.50 - 13.30 )	3.61 ( 0.93 - 5.78 )	15.85	99
15+35+35+35+42	1.12	2.61	2.61	2.61	3.14	-	12.09 ( 3.50 - 13.30 )	3.64 ( 0.93 - 5.78 )	15.97	99
15+35+35+35+50	1.08	2.51	2.51	2.51	3.59	-	12.20 ( 3.50 - 13.40 )	3.66 ( 0.93 - 5.79 )	16.09	99
15+35+35+35+60	1.02	2.37	2.37	2.37	4.07	-	12.20 ( 3.50 - 13.40 )	3.66 ( 0.93 - 5.79 )	16.09	99
15+35+35+42+42	1.08	2.53	2.53	3.03	3.03	-	12.20 ( 3.50 - 13.40 )	3.66 ( 0.93 - 5.79 )	16.09	99



# MXZ-6D122VA COOLING

Indoor units combination	Cooling Capacity (kW)						Outdoor unit power consumption (kW)	Current (A)	Power factor (%)	
	Unit A	Unit B	Unit C	Unit D	Unit E	Unit F				Total
15+35+35+42+50	1.03	2.41	2.41	2.89	3.45	-	12.19 ( 3.50 - 13.40 )	3.66 ( 0.93 - 5.79 )	16.09	99
15+35+42+42+42	1.04	2.43	2.91	2.91	2.91	-	12.20 ( 3.50 - 13.40 )	3.66 ( 0.93 - 5.79 )	16.09	99
18+18+18+18+18	1.80	1.80	1.80	1.80	1.80	-	9.00 ( 3.50 - 11.30 )	2.35 ( 0.98 - 5.26 )	10.32	99
18+18+18+18+20	1.80	1.80	1.80	1.80	2.00	-	9.20 ( 3.50 - 11.40 )	2.44 ( 0.98 - 5.30 )	10.74	99
18+18+18+18+22	1.80	1.80	1.80	1.80	2.20	-	9.40 ( 3.50 - 13.20 )	2.54 ( 0.93 - 5.81 )	11.16	99
18+18+18+18+25	1.80	1.80	1.80	1.80	2.50	-	9.70 ( 3.50 - 11.60 )	2.68 ( 0.98 - 5.39 )	11.78	99
18+18+18+18+35	1.80	1.80	1.80	1.80	3.50	-	10.70 ( 3.50 - 12.80 )	3.01 ( 0.95 - 5.72 )	13.22	99
18+18+18+18+42	1.77	1.77	1.77	1.77	4.13	-	11.21 ( 3.50 - 13.20 )	3.16 ( 0.93 - 5.80 )	13.89	99
18+18+18+18+50	1.73	1.73	1.73	1.73	4.80	-	11.72 ( 3.50 - 13.20 )	3.33 ( 0.93 - 5.77 )	14.62	99
18+18+18+18+60	1.62	1.62	1.62	1.62	5.41	-	11.89 ( 3.50 - 13.20 )	3.54 ( 0.93 - 5.76 )	15.53	99
18+18+18+18+71	1.51	1.51	1.51	1.51	5.96	-	12.00 ( 3.50 - 13.30 )	3.57 ( 0.93 - 5.78 )	15.70	99
18+18+18+20+20	1.80	1.80	1.80	2.00	2.00	-	9.40 ( 3.50 - 12.60 )	2.54 ( 0.96 - 5.67 )	11.16	99
18+18+18+20+22	1.80	1.80	1.80	2.00	2.20	-	9.60 ( 3.50 - 11.60 )	2.63 ( 0.98 - 5.39 )	11.57	99
18+18+18+20+25	1.80	1.80	1.80	2.00	2.50	-	9.90 ( 3.50 - 11.70 )	2.78 ( 0.98 - 5.44 )	12.20	99
18+18+18+20+35	1.80	1.80	1.80	2.00	3.50	-	10.90 ( 3.50 - 13.10 )	3.05 ( 0.93 - 5.79 )	13.41	99
18+18+18+20+42	1.77	1.77	1.77	1.97	4.13	-	11.41 ( 3.50 - 13.20 )	3.20 ( 0.93 - 5.79 )	14.07	99
18+18+18+20+50	1.71	1.71	1.71	1.90	4.76	-	11.79 ( 3.50 - 13.20 )	3.37 ( 0.93 - 5.76 )	14.80	99
18+18+18+20+60	1.61	1.61	1.61	1.79	5.37	-	11.99 ( 3.50 - 13.30 )	3.54 ( 0.93 - 5.78 )	15.56	99
18+18+18+20+71	1.49	1.49	1.49	1.66	5.88	-	12.01 ( 3.50 - 13.30 )	3.58 ( 0.93 - 5.78 )	15.73	99
18+18+18+22+22	1.80	1.80	1.80	2.20	2.20	-	9.80 ( 3.50 - 13.20 )	2.73 ( 0.93 - 5.81 )	11.99	99
18+18+18+22+25	1.80	1.80	1.80	2.20	2.50	-	10.10 ( 3.50 - 11.90 )	2.87 ( 0.98 - 5.50 )	12.62	99
18+18+18+22+35	1.80	1.80	1.80	2.20	3.50	-	11.10 ( 3.50 - 13.20 )	3.10 ( 0.93 - 5.81 )	13.61	99
18+18+18+22+42	1.75	1.75	1.75	2.13	4.08	-	11.46 ( 3.50 - 13.20 )	3.25 ( 0.93 - 5.77 )	14.25	99
18+18+18+22+50	1.70	1.70	1.70	2.08	4.72	-	11.90 ( 3.50 - 13.20 )	3.41 ( 0.93 - 5.76 )	14.98	99
18+18+18+22+60	1.59	1.59	1.59	1.94	5.29	-	12.00 ( 3.50 - 13.30 )	3.55 ( 0.93 - 5.78 )	15.59	99
18+18+18+22+71	1.47	1.47	1.47	1.80	5.80	-	12.01 ( 3.50 - 13.30 )	3.59 ( 0.93 - 5.78 )	15.75	99
18+18+18+25+25	1.80	1.80	1.80	2.50	2.50	-	10.40 ( 3.50 - 12.40 )	2.94 ( 0.96 - 5.62 )	12.92	99
18+18+18+25+35	1.77	1.77	1.77	2.46	3.44	-	11.21 ( 3.50 - 13.20 )	3.16 ( 0.93 - 5.80 )	13.89	99
18+18+18+25+42	1.74	1.74	1.74	2.42	4.06	-	11.70 ( 3.50 - 13.20 )	3.31 ( 0.93 - 5.77 )	14.53	99
18+18+18+25+50	1.66	1.66	1.66	2.31	4.61	-	11.90 ( 3.50 - 13.20 )	3.47 ( 0.93 - 5.76 )	15.26	99
18+18+18+25+60	1.55	1.55	1.55	2.16	5.18	-	11.99 ( 3.50 - 13.30 )	3.56 ( 0.93 - 5.78 )	15.64	99
18+18+18+25+71	1.45	1.45	1.45	2.02	5.73	-	12.10 ( 3.50 - 13.30 )	3.60 ( 0.93 - 5.78 )	15.79	99
18+18+18+35+35	1.71	1.71	1.71	3.33	3.33	-	11.79 ( 3.50 - 13.20 )	3.37 ( 0.93 - 5.76 )	14.80	99
18+18+18+35+42	1.64	1.64	1.64	3.18	3.82	-	11.92 ( 3.50 - 13.20 )	3.52 ( 0.93 - 5.76 )	15.44	99
18+18+18+35+50	1.55	1.55	1.55	3.02	4.32	-	11.99 ( 3.50 - 13.30 )	3.56 ( 0.93 - 5.78 )	15.64	99
18+18+18+35+60	1.45	1.45	1.45	2.82	4.83	-	12.00 ( 3.50 - 13.30 )	3.59 ( 0.93 - 5.78 )	15.78	99

# MXZ-6D122VA COOLING

Indoor units combination	Cooling Capacity (kW)						Outdoor unit power consumption (kW)	Current (A)	Power factor (%)	
	Unit A	Unit B	Unit C	Unit D	Unit E	Unit F				Total
18+18+18+35+71	1.36	1.36	1.36	2.65	5.37	-	12.10 ( 3.50 - 13.30 )	3.63 ( 0.93 - 5.78 )	15.93	99
18+18+18+42+42	1.57	1.57	1.57	3.65	3.65	-	12.01 ( 3.50 - 13.30 )	3.56 ( 0.93 - 5.78 )	15.62	99
18+18+18+42+50	1.48	1.48	1.48	3.45	4.11	-	12.00 ( 3.50 - 13.30 )	3.58 ( 0.93 - 5.78 )	15.74	99
18+18+18+42+60	1.40	1.40	1.40	3.26	4.65	-	12.11 ( 3.50 - 13.30 )	3.61 ( 0.93 - 5.78 )	15.87	99
18+18+18+42+71	1.31	1.31	1.31	3.07	5.19	-	12.19 ( 3.50 - 13.40 )	3.66 ( 0.93 - 5.79 )	16.07	99
18+18+18+50+50	1.41	1.41	1.41	3.93	3.93	-	12.09 ( 3.50 - 13.30 )	3.61 ( 0.93 - 5.78 )	15.84	99
18+18+18+50+60	1.33	1.33	1.33	3.69	4.43	-	12.11 ( 3.50 - 13.30 )	3.65 ( 0.93 - 5.78 )	16.01	99
18+18+18+50+71	1.25	1.25	1.25	3.49	4.95	-	12.19 ( 3.50 - 13.40 )	3.66 ( 0.93 - 5.79 )	16.09	99
18+18+18+60+60	1.26	1.26	1.26	4.21	4.21	-	12.20 ( 3.50 - 13.40 )	3.66 ( 0.93 - 5.79 )	16.09	99
18+18+20+20+20	1.80	1.80	2.00	2.00	2.00	-	9.60 ( 3.50 - 11.60 )	2.63 ( 0.98 - 5.39 )	11.57	99
18+18+20+20+22	1.80	1.80	2.00	2.00	2.20	-	9.80 ( 3.50 - 13.20 )	2.73 ( 0.93 - 5.81 )	11.99	99
18+18+20+20+25	1.80	1.80	2.00	2.00	2.50	-	10.10 ( 3.50 - 11.90 )	2.87 ( 0.98 - 5.50 )	12.62	99
18+18+20+20+35	1.80	1.80	2.00	2.00	3.50	-	11.10 ( 3.50 - 13.20 )	3.10 ( 0.93 - 5.81 )	13.61	99
18+18+20+20+42	1.75	1.75	1.94	1.94	4.08	-	11.46 ( 3.50 - 13.20 )	3.25 ( 0.93 - 5.77 )	14.25	99
18+18+20+20+50	1.70	1.70	1.89	1.89	4.72	-	11.90 ( 3.50 - 13.20 )	3.41 ( 0.93 - 5.76 )	14.98	99
18+18+20+20+60	1.59	1.59	1.76	1.76	5.29	-	11.99 ( 3.50 - 13.30 )	3.55 ( 0.93 - 5.78 )	15.59	99
18+18+20+20+71	1.47	1.47	1.63	1.63	5.80	-	12.00 ( 3.50 - 13.30 )	3.59 ( 0.93 - 5.78 )	15.75	99
18+18+20+22+22	1.80	1.80	2.00	2.20	2.20	-	10.00 ( 3.50 - 11.80 )	2.83 ( 0.98 - 5.48 )	12.41	99
18+18+20+22+25	1.80	1.80	2.00	2.20	2.50	-	10.30 ( 3.50 - 12.20 )	2.92 ( 0.97 - 5.57 )	12.82	99
18+18+20+22+35	1.78	1.78	1.98	2.18	3.47	-	11.19 ( 3.50 - 13.20 )	3.14 ( 0.93 - 5.80 )	13.80	99
18+18+20+22+42	1.74	1.74	1.93	2.13	4.06	-	11.60 ( 3.50 - 13.20 )	3.29 ( 0.93 - 5.78 )	14.44	99
18+18+20+22+50	1.67	1.67	1.86	2.05	4.65	-	11.90 ( 3.50 - 13.20 )	3.45 ( 0.93 - 5.76 )	15.17	99
18+18+20+22+60	1.57	1.57	1.74	1.91	5.22	-	12.01 ( 3.50 - 13.30 )	3.56 ( 0.93 - 5.78 )	15.62	99
18+18+20+22+71	1.45	1.45	1.61	1.77	5.72	-	12.00 ( 3.50 - 13.30 )	3.59 ( 0.93 - 5.78 )	15.78	99
18+18+20+25+25	1.80	1.80	2.00	2.50	2.50	-	10.60 ( 3.50 - 12.60 )	2.99 ( 0.96 - 5.67 )	13.12	99
18+18+20+25+35	1.77	1.77	1.97	2.46	3.44	-	11.41 ( 3.50 - 13.20 )	3.20 ( 0.93 - 5.79 )	14.07	99
18+18+20+25+42	1.73	1.73	1.92	2.40	4.03	-	11.81 ( 3.50 - 13.20 )	3.35 ( 0.93 - 5.77 )	14.71	99
18+18+20+25+50	1.64	1.64	1.82	2.27	4.54	-	11.91 ( 3.50 - 13.20 )	3.52 ( 0.93 - 5.76 )	15.44	99
18+18+20+25+60	1.53	1.53	1.70	2.13	5.11	-	12.00 ( 3.50 - 13.30 )	3.57 ( 0.93 - 5.78 )	15.67	99
18+18+20+25+71	1.43	1.43	1.59	1.99	5.65	-	12.09 ( 3.50 - 13.30 )	3.60 ( 0.93 - 5.78 )	15.82	99
18+18+20+35+35	1.70	1.70	1.89	3.31	3.31	-	11.91 ( 3.50 - 13.20 )	3.41 ( 0.93 - 5.76 )	14.98	99
18+18+20+35+42	1.61	1.61	1.79	3.13	3.76	-	11.90 ( 3.50 - 13.20 )	3.54 ( 0.93 - 5.76 )	15.55	99
18+18+20+35+50	1.53	1.53	1.70	2.98	4.26	-	12.00 ( 3.50 - 13.30 )	3.57 ( 0.93 - 5.78 )	15.67	99
18+18+20+35+60	1.44	1.44	1.60	2.80	4.81	-	12.09 ( 3.50 - 13.30 )	3.60 ( 0.93 - 5.78 )	15.80	99
18+18+20+35+71	1.34	1.34	1.49	2.61	5.30	-	12.08 ( 3.50 - 13.30 )	3.64 ( 0.93 - 5.78 )	15.97	99
18+18+20+42+42	1.54	1.54	1.71	3.60	3.60	-	11.99 ( 3.50 - 13.30 )	3.56 ( 0.93 - 5.78 )	15.65	99

# MXZ-6D122VA COOLING

Indoor units combination	Cooling Capacity (kW)							Outdoor unit power consumption (kW)	Current (A)	Power factor (%)
	Unit A	Unit B	Unit C	Unit D	Unit E	Unit F	Total			
18+18+20+42+50	1.46	1.46	1.62	3.41	4.05	-	12.00 ( 3.50 - 13.30 )	3.59 ( 0.93 - 5.78 )	15.77	99
18+18+20+42+60	1.38	1.38	1.53	3.22	4.59	-	12.10 ( 3.50 - 13.30 )	3.62 ( 0.93 - 5.78 )	15.89	99
18+18+20+42+71	1.30	1.30	1.44	3.03	5.13	-	12.20 ( 3.50 - 13.40 )	3.66 ( 0.93 - 5.79 )	16.09	99
18+18+20+50+50	1.40	1.40	1.55	3.88	3.88	-	12.11 ( 3.50 - 13.30 )	3.61 ( 0.93 - 5.78 )	15.87	99
18+18+20+50+60	1.31	1.31	1.46	3.64	4.37	-	12.09 ( 3.50 - 13.30 )	3.65 ( 0.93 - 5.78 )	16.05	99
18+18+20+50+71	1.24	1.24	1.38	3.45	4.89	-	12.20 ( 3.50 - 13.40 )	3.66 ( 0.93 - 5.79 )	16.09	99
18+18+20+60+60	1.25	1.25	1.39	4.16	4.16	-	12.21 ( 3.50 - 13.40 )	3.66 ( 0.93 - 5.79 )	16.09	99
18+18+22+22+22	1.80	1.80	2.20	2.20	2.20	-	10.20 ( 3.50 - 12.10 )	2.90 ( 0.97 - 5.55 )	12.72	99
18+18+22+22+25	1.80	1.80	2.20	2.20	2.50	-	10.50 ( 3.50 - 12.50 )	2.96 ( 0.96 - 5.65 )	13.02	99
18+18+22+22+35	1.77	1.77	2.16	2.16	3.44	-	11.30 ( 3.50 - 13.20 )	3.18 ( 0.93 - 5.79 )	13.98	99
18+18+22+22+42	1.73	1.73	2.11	2.11	4.03	-	11.71 ( 3.50 - 13.20 )	3.33 ( 0.93 - 5.77 )	14.62	99
18+18+22+22+50	1.65	1.65	2.01	2.01	4.58	-	11.90 ( 3.50 - 13.20 )	3.49 ( 0.93 - 5.76 )	15.35	99
18+18+22+22+60	1.54	1.54	1.89	1.89	5.14	-	12.00 ( 3.50 - 13.30 )	3.56 ( 0.93 - 5.78 )	15.65	99
18+18+22+22+71	1.44	1.44	1.76	1.76	5.69	-	12.09 ( 3.50 - 13.30 )	3.60 ( 0.93 - 5.78 )	15.80	99
18+18+22+25+25	1.80	1.80	2.20	2.50	2.50	-	10.80 ( 3.50 - 13.20 )	3.03 ( 0.93 - 5.79 )	13.31	99
18+18+22+25+35	1.75	1.75	2.13	2.43	3.40	-	11.46 ( 3.50 - 13.20 )	3.25 ( 0.93 - 5.77 )	14.25	99
18+18+22+25+42	1.71	1.71	2.09	2.38	4.00	-	11.89 ( 3.50 - 13.20 )	3.39 ( 0.93 - 5.76 )	14.89	99
18+18+22+25+50	1.61	1.61	1.97	2.24	4.47	-	11.90 ( 3.50 - 13.20 )	3.54 ( 0.93 - 5.76 )	15.55	99
18+18+22+25+60	1.51	1.51	1.85	2.10	5.03	-	12.00 ( 3.50 - 13.30 )	3.57 ( 0.93 - 5.78 )	15.70	99
18+18+22+25+71	1.41	1.41	1.73	1.96	5.58	-	12.09 ( 3.50 - 13.30 )	3.61 ( 0.93 - 5.78 )	15.84	99
18+18+22+35+35	1.67	1.67	2.05	3.25	3.25	-	11.89 ( 3.50 - 13.20 )	3.45 ( 0.93 - 5.76 )	15.17	99
18+18+22+35+42	1.60	1.60	1.96	3.11	3.73	-	12.00 ( 3.50 - 13.30 )	3.55 ( 0.93 - 5.78 )	15.58	99
18+18+22+35+50	1.51	1.51	1.85	2.94	4.20	-	12.01 ( 3.50 - 13.30 )	3.57 ( 0.93 - 5.78 )	15.70	99
18+18+22+35+60	1.42	1.42	1.74	2.77	4.75	-	12.10 ( 3.50 - 13.30 )	3.60 ( 0.93 - 5.78 )	15.83	99
18+18+22+35+71	1.33	1.33	1.62	2.58	5.24	-	12.10 ( 3.50 - 13.30 )	3.65 ( 0.93 - 5.78 )	16.01	99
18+18+22+42+42	1.52	1.52	1.86	3.55	3.55	-	12.00 ( 3.50 - 13.30 )	3.57 ( 0.93 - 5.78 )	15.68	99
18+18+22+42+50	1.45	1.45	1.77	3.39	4.03	-	12.09 ( 3.50 - 13.30 )	3.60 ( 0.93 - 5.78 )	15.79	99
18+18+22+42+60	1.36	1.36	1.66	3.18	4.54	-	12.10 ( 3.50 - 13.30 )	3.63 ( 0.93 - 5.78 )	15.93	99
18+18+22+42+71	1.28	1.28	1.57	3.00	5.07	-	12.20 ( 3.50 - 13.40 )	3.66 ( 0.93 - 5.79 )	16.09	99
18+18+22+50+50	1.38	1.38	1.68	3.83	3.83	-	12.10 ( 3.50 - 13.30 )	3.62 ( 0.93 - 5.78 )	15.89	99
18+18+22+50+60	1.31	1.31	1.60	3.63	4.36	-	12.21 ( 3.50 - 13.40 )	3.66 ( 0.93 - 5.79 )	16.09	99
18+18+22+50+71	1.23	1.23	1.50	3.41	4.84	-	12.21 ( 3.50 - 13.40 )	3.66 ( 0.93 - 5.79 )	16.09	99
18+18+22+60+60	1.23	1.23	1.51	4.11	4.11	-	12.19 ( 3.50 - 13.40 )	3.66 ( 0.93 - 5.79 )	16.09	99
18+18+25+25+25	1.80	1.80	2.50	2.50	2.50	-	11.10 ( 3.50 - 13.20 )	3.10 ( 0.93 - 5.81 )	13.61	99
18+18+25+25+35	1.74	1.74	2.42	2.42	3.38	-	11.70 ( 3.50 - 13.20 )	3.31 ( 0.93 - 5.77 )	14.53	99
18+18+25+25+42	1.67	1.67	2.32	2.32	3.90	-	11.88 ( 3.50 - 13.20 )	3.45 ( 0.93 - 5.76 )	15.17	99

# MXZ-6D122VA COOLING

Indoor units combination	Cooling Capacity (kW)							Outdoor unit power consumption (kW)	Current (A)	Power factor (%)
	Unit A	Unit B	Unit C	Unit D	Unit E	Unit F	Total			
18+18+25+25+50	1.59	1.59	2.21	2.21	4.41	-	12.01 ( 3.50 - 13.30 )	3.55 ( 0.93 - 5.78 )	15.59	99
18+18+25+25+60	1.48	1.48	2.05	2.05	4.93	-	11.99 ( 3.50 - 13.30 )	3.58 ( 0.93 - 5.78 )	15.74	99
18+18+25+25+71	1.39	1.39	1.93	1.93	5.47	-	12.11 ( 3.50 - 13.30 )	3.62 ( 0.93 - 5.78 )	15.88	99
18+18+25+35+35	1.64	1.64	2.27	3.18	3.18	-	11.91 ( 3.50 - 13.20 )	3.52 ( 0.93 - 5.76 )	15.44	99
18+18+25+35+42	1.57	1.57	2.17	3.04	3.65	-	12.00 ( 3.50 - 13.30 )	3.56 ( 0.93 - 5.78 )	15.62	99
18+18+25+35+50	1.48	1.48	2.05	2.88	4.11	-	12.00 ( 3.50 - 13.30 )	3.58 ( 0.93 - 5.78 )	15.74	99
18+18+25+35+60	1.40	1.40	1.94	2.71	4.65	-	12.10 ( 3.50 - 13.30 )	3.61 ( 0.93 - 5.78 )	15.87	99
18+18+25+35+71	1.31	1.31	1.83	2.56	5.19	-	12.20 ( 3.50 - 13.40 )	3.66 ( 0.93 - 5.79 )	16.07	99
18+18+25+42+42	1.49	1.49	2.07	3.48	3.48	-	12.01 ( 3.50 - 13.30 )	3.58 ( 0.93 - 5.78 )	15.73	99
18+18+25+42+50	1.42	1.42	1.98	3.32	3.95	-	12.09 ( 3.50 - 13.30 )	3.60 ( 0.93 - 5.78 )	15.83	99
18+18+25+42+60	1.34	1.34	1.86	3.12	4.45	-	12.11 ( 3.50 - 13.30 )	3.64 ( 0.93 - 5.78 )	15.99	99
18+18+25+42+71	1.26	1.26	1.75	2.94	4.98	-	12.19 ( 3.50 - 13.40 )	3.66 ( 0.93 - 5.79 )	16.09	99
18+18+25+50+50	1.35	1.35	1.88	3.76	3.76	-	12.10 ( 3.50 - 13.30 )	3.63 ( 0.93 - 5.78 )	15.95	99
18+18+25+50+60	1.28	1.28	1.78	3.57	4.28	-	12.19 ( 3.50 - 13.40 )	3.66 ( 0.93 - 5.79 )	16.09	99
18+18+35+35+35	1.53	1.53	2.98	2.98	2.98	-	12.00 ( 3.50 - 13.30 )	3.57 ( 0.93 - 5.78 )	15.67	99
18+18+35+35+42	1.46	1.46	2.84	2.84	3.41	-	12.01 ( 3.50 - 13.30 )	3.59 ( 0.93 - 5.78 )	15.77	99
18+18+35+35+50	1.40	1.40	2.71	2.71	3.88	-	12.10 ( 3.50 - 13.30 )	3.61 ( 0.93 - 5.78 )	15.87	99
18+18+35+35+60	1.31	1.31	2.55	2.55	4.37	-	12.09 ( 3.50 - 13.30 )	3.65 ( 0.93 - 5.78 )	16.05	99
18+18+35+35+71	1.24	1.24	2.41	2.41	4.89	-	12.19 ( 3.50 - 13.40 )	3.66 ( 0.93 - 5.79 )	16.09	99
18+18+35+42+42	1.41	1.41	2.73	3.28	3.28	-	12.11 ( 3.50 - 13.30 )	3.61 ( 0.93 - 5.78 )	15.85	99
18+18+35+42+50	1.34	1.34	2.60	3.12	3.71	-	12.11 ( 3.50 - 13.30 )	3.64 ( 0.93 - 5.78 )	15.99	99
18+18+35+42+60	1.27	1.27	2.47	2.96	4.23	-	12.20 ( 3.50 - 13.40 )	3.66 ( 0.93 - 5.79 )	16.09	99
18+18+35+50+50	1.28	1.28	2.50	3.57	3.57	-	12.20 ( 3.50 - 13.40 )	3.66 ( 0.93 - 5.79 )	16.09	99
18+18+42+42+42	1.34	1.34	3.14	3.14	3.14	-	12.10 ( 3.50 - 13.30 )	3.64 ( 0.93 - 5.78 )	15.97	99
18+18+42+42+50	1.29	1.29	3.01	3.01	3.59	-	12.19 ( 3.50 - 13.40 )	3.66 ( 0.93 - 5.79 )	16.09	99
18+18+42+42+60	1.22	1.22	2.85	2.85	4.07	-	12.21 ( 3.50 - 13.40 )	3.66 ( 0.93 - 5.79 )	16.09	99
18+18+42+50+50	1.23	1.23	2.88	3.43	3.43	-	12.20 ( 3.50 - 13.40 )	3.66 ( 0.93 - 5.79 )	16.09	99
18+20+20+20+20	1.80	2.00	2.00	2.00	2.00	-	9.80 ( 3.50 - 13.20 )	2.73 ( 0.93 - 5.81 )	11.99	99
18+20+20+20+22	1.80	2.00	2.00	2.00	2.20	-	10.00 ( 3.50 - 11.80 )	2.83 ( 0.98 - 5.48 )	12.41	99
18+20+20+20+25	1.80	2.00	2.00	2.00	2.50	-	10.30 ( 3.50 - 12.20 )	2.92 ( 0.97 - 5.57 )	12.82	99
18+20+20+20+35	1.78	1.98	1.98	1.98	3.47	-	11.19 ( 3.50 - 13.20 )	3.14 ( 0.93 - 5.80 )	13.80	99
18+20+20+20+42	1.74	1.93	1.93	1.93	4.06	-	11.59 ( 3.50 - 13.20 )	3.29 ( 0.93 - 5.78 )	14.44	99
18+20+20+20+50	1.67	1.86	1.86	1.86	4.65	-	11.90 ( 3.50 - 13.20 )	3.45 ( 0.93 - 5.76 )	15.17	99
18+20+20+20+60	1.57	1.74	1.74	1.74	5.22	-	12.01 ( 3.50 - 13.30 )	3.56 ( 0.93 - 5.78 )	15.62	99
18+20+20+20+71	1.45	1.61	1.61	1.61	5.72	-	12.00 ( 3.50 - 13.30 )	3.59 ( 0.93 - 5.78 )	15.78	99
18+20+20+22+22	1.80	2.00	2.00	2.20	2.20	-	10.20 ( 3.50 - 12.10 )	2.90 ( 0.97 - 5.55 )	12.72	99

### MXZ-6D122VA COOLING

Indoor units combination	Cooling Capacity (kW)							Outdoor unit power consumption (kW)	Current (A)	Power factor (%)
	Unit A	Unit B	Unit C	Unit D	Unit E	Unit F	Total			
18+20+20+22+25	1.80	2.00	2.00	2.20	2.50	-	10.50 ( 3.50 - 12.50 )	2.96 ( 0.96 - 5.65 )	13.02	99
18+20+20+22+35	1.77	1.97	1.97	2.16	3.44	-	11.31 ( 3.50 - 13.20 )	3.18 ( 0.93 - 5.79 )	13.98	99
18+20+20+22+42	1.73	1.92	1.92	2.11	4.03	-	11.71 ( 3.50 - 13.20 )	3.33 ( 0.93 - 5.77 )	14.62	99
18+20+20+22+50	1.65	1.83	1.83	2.01	4.58	-	11.90 ( 3.50 - 13.20 )	3.49 ( 0.93 - 5.76 )	15.35	99
18+20+20+22+60	1.54	1.71	1.71	1.89	5.14	-	11.99 ( 3.50 - 13.30 )	3.56 ( 0.93 - 5.78 )	15.65	99
18+20+20+22+71	1.44	1.60	1.60	1.76	5.69	-	12.09 ( 3.50 - 13.30 )	3.60 ( 0.93 - 5.78 )	15.80	99
18+20+20+25+25	1.80	2.00	2.00	2.50	2.50	-	10.80 ( 3.50 - 13.20 )	3.03 ( 0.93 - 5.80 )	13.31	99
18+20+20+25+35	1.75	1.94	1.94	2.43	3.40	-	11.46 ( 3.50 - 13.20 )	3.25 ( 0.93 - 5.77 )	14.25	99
18+20+20+25+42	1.71	1.90	1.90	2.38	4.00	-	11.89 ( 3.50 - 13.20 )	3.39 ( 0.93 - 5.76 )	14.89	99
18+20+20+25+50	1.61	1.79	1.79	2.24	4.47	-	11.90 ( 3.50 - 13.20 )	3.54 ( 0.93 - 5.76 )	15.55	99
18+20+20+25+60	1.51	1.68	1.68	2.10	5.03	-	12.00 ( 3.50 - 13.30 )	3.57 ( 0.93 - 5.78 )	15.70	99
18+20+20+25+71	1.41	1.57	1.57	1.96	5.58	-	12.09 ( 3.50 - 13.30 )	3.61 ( 0.93 - 5.78 )	15.84	99
18+20+20+35+35	1.67	1.86	1.86	3.25	3.25	-	11.89 ( 3.50 - 13.20 )	3.45 ( 0.93 - 5.76 )	15.17	99
18+20+20+35+42	1.60	1.78	1.78	3.11	3.73	-	12.00 ( 3.50 - 13.30 )	3.55 ( 0.93 - 5.78 )	15.58	99
18+20+20+35+50	1.51	1.68	1.68	2.94	4.20	-	12.01 ( 3.50 - 13.30 )	3.57 ( 0.93 - 5.78 )	15.70	99
18+20+20+35+60	1.42	1.58	1.58	2.77	4.75	-	12.10 ( 3.50 - 13.30 )	3.60 ( 0.93 - 5.78 )	15.83	99
18+20+20+35+71	1.33	1.48	1.48	2.58	5.24	-	12.11 ( 3.50 - 13.30 )	3.65 ( 0.93 - 5.78 )	16.01	99
18+20+20+42+42	1.52	1.69	1.69	3.55	3.55	-	12.00 ( 3.50 - 13.30 )	3.57 ( 0.93 - 5.78 )	15.68	99
18+20+20+42+50	1.45	1.61	1.61	3.39	4.03	-	12.09 ( 3.50 - 13.30 )	3.60 ( 0.93 - 5.78 )	15.79	99
18+20+20+42+60	1.36	1.51	1.51	3.18	4.54	-	12.10 ( 3.50 - 13.30 )	3.63 ( 0.93 - 5.78 )	15.93	99
18+20+20+42+71	1.28	1.43	1.43	3.00	5.07	-	12.21 ( 3.50 - 13.40 )	3.66 ( 0.93 - 5.79 )	16.09	99
18+20+20+50+50	1.38	1.53	1.53	3.83	3.83	-	12.10 ( 3.50 - 13.30 )	3.62 ( 0.93 - 5.78 )	15.89	99
18+20+20+50+60	1.31	1.45	1.45	3.63	4.36	-	12.20 ( 3.50 - 13.40 )	3.66 ( 0.93 - 5.79 )	16.09	99
18+20+20+50+71	1.23	1.36	1.36	3.41	4.84	-	12.20 ( 3.50 - 13.40 )	3.66 ( 0.93 - 5.79 )	16.09	99
18+20+20+60+60	1.23	1.37	1.37	4.11	4.11	-	12.19 ( 3.50 - 13.40 )	3.66 ( 0.93 - 5.79 )	16.09	99
18+20+22+22+22	1.80	2.00	2.20	2.20	2.20	-	10.40 ( 3.50 - 12.40 )	2.94 ( 0.96 - 5.62 )	12.92	99
18+20+22+22+25	1.80	2.00	2.20	2.20	2.50	-	10.70 ( 3.50 - 12.80 )	3.01 ( 0.95 - 5.72 )	13.22	99
18+20+22+22+35	1.75	1.95	2.14	2.14	3.41	-	11.39 ( 3.50 - 13.20 )	3.22 ( 0.93 - 5.79 )	14.16	99
18+20+22+22+42	1.71	1.90	2.09	2.09	4.00	-	11.79 ( 3.50 - 13.20 )	3.37 ( 0.93 - 5.76 )	14.80	99
18+20+22+22+50	1.62	1.80	1.98	1.98	4.51	-	11.89 ( 3.50 - 13.20 )	3.54 ( 0.93 - 5.76 )	15.53	99
18+20+22+22+60	1.52	1.69	1.86	1.86	5.07	-	12.00 ( 3.50 - 13.30 )	3.57 ( 0.93 - 5.78 )	15.68	99
18+20+22+22+71	1.42	1.58	1.74	1.74	5.62	-	12.10 ( 3.50 - 13.30 )	3.60 ( 0.93 - 5.78 )	15.83	99
18+20+22+25+25	1.80	2.00	2.20	2.50	2.50	-	11.00 ( 3.50 - 13.20 )	3.08 ( 0.93 - 5.81 )	13.51	99
18+20+22+25+35	1.74	1.93	2.13	2.42	3.38	-	11.60 ( 3.50 - 13.20 )	3.29 ( 0.93 - 5.78 )	14.44	99
18+20+22+25+42	1.69	1.87	2.06	2.34	3.94	-	11.90 ( 3.50 - 13.20 )	3.43 ( 0.93 - 5.76 )	15.08	99
18+20+22+25+50	1.60	1.78	1.96	2.22	4.44	-	12.00 ( 3.50 - 13.30 )	3.55 ( 0.93 - 5.78 )	15.58	99

# MXZ-6D122VA COOLING

Indoor units combination	Cooling Capacity (kW)							Outdoor unit power consumption (kW)	Current (A)	Power factor (%)
	Unit A	Unit B	Unit C	Unit D	Unit E	Unit F	Total			
18+20+22+25+60	1.49	1.66	1.82	2.07	4.97	-	12.01 ( 3.50 - 13.30 )	3.58 ( 0.93 - 5.78 )	15.73	99
18+20+22+25+71	1.40	1.55	1.71	1.94	5.51	-	12.11 ( 3.50 - 13.30 )	3.61 ( 0.93 - 5.78 )	15.87	99
18+20+22+35+35	1.65	1.83	2.01	3.20	3.20	-	11.89 ( 3.50 - 13.20 )	3.49 ( 0.93 - 5.76 )	15.35	99
18+20+22+35+42	1.58	1.75	1.93	3.07	3.68	-	12.01 ( 3.50 - 13.30 )	3.55 ( 0.93 - 5.78 )	15.61	99
18+20+22+35+50	1.49	1.66	1.82	2.90	4.14	-	12.01 ( 3.50 - 13.30 )	3.58 ( 0.93 - 5.78 )	15.73	99
18+20+22+35+60	1.41	1.56	1.72	2.73	4.68	-	12.10 ( 3.50 - 13.30 )	3.61 ( 0.93 - 5.78 )	15.85	99
18+20+22+35+71	1.31	1.46	1.60	2.55	5.18	-	12.10 ( 3.50 - 13.30 )	3.65 ( 0.93 - 5.78 )	16.05	99
18+20+22+42+42	1.50	1.67	1.83	3.50	3.50	-	12.00 ( 3.50 - 13.30 )	3.58 ( 0.93 - 5.78 )	15.71	99
18+20+22+42+50	1.43	1.59	1.75	3.34	3.98	-	12.09 ( 3.50 - 13.30 )	3.60 ( 0.93 - 5.78 )	15.82	99
18+20+22+42+60	1.34	1.49	1.64	3.14	4.48	-	12.09 ( 3.50 - 13.30 )	3.64 ( 0.93 - 5.78 )	15.97	99
18+20+22+42+71	1.27	1.41	1.55	2.96	5.01	-	12.20 ( 3.50 - 13.40 )	3.66 ( 0.93 - 5.79 )	16.09	99
18+20+22+50+50	1.36	1.51	1.66	3.78	3.78	-	12.09 ( 3.50 - 13.30 )	3.63 ( 0.93 - 5.78 )	15.93	99
18+20+22+50+60	1.29	1.44	1.58	3.59	4.31	-	12.21 ( 3.50 - 13.40 )	3.66 ( 0.93 - 5.79 )	16.09	99
18+20+22+60+60	1.22	1.36	1.49	4.07	4.07	-	12.21 ( 3.50 - 13.40 )	3.66 ( 0.93 - 5.79 )	16.09	99
18+20+25+25+25	1.78	1.98	2.48	2.48	2.48	-	11.20 ( 3.50 - 13.20 )	3.14 ( 0.93 - 5.80 )	13.80	99
18+20+25+25+35	1.73	1.92	2.40	2.40	3.36	-	11.81 ( 3.50 - 13.20 )	3.35 ( 0.93 - 5.77 )	14.71	99
18+20+25+25+42	1.65	1.83	2.29	2.29	3.84	-	11.90 ( 3.50 - 13.20 )	3.49 ( 0.93 - 5.76 )	15.35	99
18+20+25+25+50	1.57	1.74	2.17	2.17	4.35	-	12.00 ( 3.50 - 13.30 )	3.56 ( 0.93 - 5.78 )	15.62	99
18+20+25+25+60	1.46	1.62	2.03	2.03	4.86	-	12.00 ( 3.50 - 13.30 )	3.59 ( 0.93 - 5.78 )	15.77	99
18+20+25+25+71	1.37	1.52	1.90	1.90	5.40	-	12.09 ( 3.50 - 13.30 )	3.62 ( 0.93 - 5.78 )	15.91	99
18+20+25+35+35	1.61	1.79	2.24	3.13	3.13	-	11.90 ( 3.50 - 13.20 )	3.54 ( 0.93 - 5.76 )	15.55	99
18+20+25+35+42	1.54	1.71	2.14	3.00	3.60	-	11.99 ( 3.50 - 13.30 )	3.56 ( 0.93 - 5.78 )	15.65	99
18+20+25+35+50	1.46	1.62	2.03	2.84	4.05	-	12.00 ( 3.50 - 13.30 )	3.59 ( 0.93 - 5.78 )	15.77	99
18+20+25+35+60	1.38	1.53	1.91	2.68	4.59	-	12.09 ( 3.50 - 13.30 )	3.62 ( 0.93 - 5.78 )	15.89	99
18+20+25+35+71	1.30	1.44	1.80	2.53	5.13	-	12.20 ( 3.50 - 13.40 )	3.66 ( 0.93 - 5.79 )	16.09	99
18+20+25+42+42	1.47	1.63	2.04	3.43	3.43	-	12.00 ( 3.50 - 13.30 )	3.59 ( 0.93 - 5.78 )	15.75	99
18+20+25+42+50	1.41	1.56	1.95	3.28	3.90	-	12.10 ( 3.50 - 13.30 )	3.61 ( 0.93 - 5.78 )	15.85	99
18+20+25+42+60	1.32	1.47	1.83	3.08	4.40	-	12.10 ( 3.50 - 13.30 )	3.65 ( 0.93 - 5.78 )	16.03	99
18+20+25+42+71	1.25	1.39	1.73	2.91	4.92	-	12.20 ( 3.50 - 13.40 )	3.66 ( 0.93 - 5.79 )	16.09	99
18+20+25+50+50	1.34	1.48	1.86	3.71	3.71	-	12.10 ( 3.50 - 13.30 )	3.64 ( 0.93 - 5.78 )	15.99	99
18+20+25+50+60	1.27	1.41	1.76	3.53	4.23	-	12.20 ( 3.50 - 13.40 )	3.66 ( 0.93 - 5.79 )	16.09	99
18+20+35+35+35	1.51	1.68	2.94	2.94	2.94	-	12.01 ( 3.50 - 13.30 )	3.57 ( 0.93 - 5.78 )	15.70	99
18+20+35+35+42	1.45	1.61	2.82	2.82	3.39	-	12.09 ( 3.50 - 13.30 )	3.60 ( 0.93 - 5.78 )	15.79	99
18+20+35+35+50	1.38	1.53	2.68	2.68	3.83	-	12.10 ( 3.50 - 13.30 )	3.62 ( 0.93 - 5.78 )	15.89	99
18+20+35+35+60	1.31	1.45	2.54	2.54	4.36	-	12.20 ( 3.50 - 13.40 )	3.66 ( 0.93 - 5.79 )	16.09	99
18+20+35+35+71	1.23	1.36	2.39	2.39	4.84	-	12.21 ( 3.50 - 13.40 )	3.66 ( 0.93 - 5.79 )	16.09	99

## MXZ-6D122VA COOLING

Indoor units combination	Cooling Capacity (kW)							Outdoor unit power consumption (kW)	Current (A)	Power factor (%)
	Unit A	Unit B	Unit C	Unit D	Unit E	Unit F	Total			
18+20+35+42+42	1.39	1.54	2.70	3.24	3.24	-	12.11 ( 3.50 - 13.30 )	3.62 ( 0.93 - 5.78 )	15.88	99
18+20+35+42+50	1.32	1.47	2.57	3.08	3.67	-	12.11 ( 3.50 - 13.30 )	3.65 ( 0.93 - 5.78 )	16.03	99
18+20+35+42+60	1.25	1.39	2.44	2.93	4.18	-	12.19 ( 3.50 - 13.40 )	3.66 ( 0.93 - 5.79 )	16.09	99
18+20+35+50+50	1.27	1.41	2.47	3.53	3.53	-	12.21 ( 3.50 - 13.40 )	3.66 ( 0.93 - 5.79 )	16.09	99
18+20+42+42+42	1.33	1.48	3.10	3.10	3.10	-	12.11 ( 3.50 - 13.30 )	3.65 ( 0.93 - 5.78 )	16.01	99
18+20+42+42+50	1.28	1.42	2.98	2.98	3.55	-	12.21 ( 3.50 - 13.40 )	3.66 ( 0.93 - 5.79 )	16.09	99
18+20+42+50+50	1.22	1.36	2.85	3.39	3.39	-	12.21 ( 3.50 - 13.40 )	3.66 ( 0.93 - 5.79 )	16.09	99
18+22+22+22+22	1.80	2.20	2.20	2.20	2.20	-	10.60 ( 3.50 - 12.60 )	2.99 ( 0.96 - 5.67 )	13.12	99
18+22+22+22+25	1.80	2.20	2.20	2.20	2.50	-	10.90 ( 3.50 - 13.10 )	3.05 ( 0.93 - 5.79 )	13.41	99
18+22+22+22+35	1.74	2.13	2.13	2.13	3.38	-	11.51 ( 3.50 - 13.20 )	3.27 ( 0.93 - 5.78 )	14.35	99
18+22+22+22+42	1.70	2.08	2.08	2.08	3.97	-	11.91 ( 3.50 - 13.20 )	3.41 ( 0.93 - 5.76 )	14.98	99
18+22+22+22+50	1.61	1.97	1.97	1.97	4.48	-	12.00 ( 3.50 - 13.30 )	3.54 ( 0.93 - 5.78 )	15.56	99
18+22+22+22+60	1.50	1.83	1.83	1.83	5.00	-	11.99 ( 3.50 - 13.30 )	3.58 ( 0.93 - 5.78 )	15.71	99
18+22+22+22+71	1.41	1.72	1.72	1.72	5.54	-	12.11 ( 3.50 - 13.30 )	3.61 ( 0.93 - 5.78 )	15.85	99
18+22+22+25+25	1.78	2.18	2.18	2.48	2.48	-	11.10 ( 3.50 - 13.20 )	3.12 ( 0.93 - 5.80 )	13.71	99
18+22+22+25+35	1.73	2.11	2.11	2.40	3.36	-	11.71 ( 3.50 - 13.20 )	3.33 ( 0.93 - 5.77 )	14.62	99
18+22+22+25+42	1.66	2.03	2.03	2.31	3.87	-	11.90 ( 3.50 - 13.20 )	3.47 ( 0.93 - 5.76 )	15.26	99
18+22+22+25+50	1.58	1.93	1.93	2.19	4.38	-	12.01 ( 3.50 - 13.30 )	3.55 ( 0.93 - 5.78 )	15.61	99
18+22+22+25+60	1.47	1.80	1.80	2.04	4.90	-	12.01 ( 3.50 - 13.30 )	3.59 ( 0.93 - 5.78 )	15.75	99
18+22+22+25+71	1.38	1.68	1.68	1.91	5.44	-	12.09 ( 3.50 - 13.30 )	3.62 ( 0.93 - 5.78 )	15.89	99
18+22+22+35+35	1.62	1.98	1.98	3.16	3.16	-	11.90 ( 3.50 - 13.20 )	3.54 ( 0.93 - 5.76 )	15.53	99
18+22+22+35+42	1.55	1.90	1.90	3.02	3.63	-	12.00 ( 3.50 - 13.30 )	3.56 ( 0.93 - 5.78 )	15.64	99
18+22+22+35+50	1.47	1.80	1.80	2.86	4.08	-	12.01 ( 3.50 - 13.30 )	3.59 ( 0.93 - 5.78 )	15.75	99
18+22+22+35+60	1.39	1.70	1.70	2.70	4.62	-	12.11 ( 3.50 - 13.30 )	3.62 ( 0.93 - 5.78 )	15.88	99
18+22+22+35+71	1.31	1.60	1.60	2.54	5.16	-	12.21 ( 3.50 - 13.40 )	3.66 ( 0.93 - 5.79 )	16.09	99
18+22+22+42+42	1.48	1.81	1.81	3.45	3.45	-	12.00 ( 3.50 - 13.30 )	3.58 ( 0.93 - 5.78 )	15.74	99
18+22+22+42+50	1.41	1.73	1.73	3.30	3.93	-	12.10 ( 3.50 - 13.30 )	3.61 ( 0.93 - 5.78 )	15.84	99
18+22+22+42+60	1.33	1.62	1.62	3.10	4.43	-	12.10 ( 3.50 - 13.30 )	3.65 ( 0.93 - 5.78 )	16.01	99
18+22+22+42+71	1.25	1.53	1.53	2.93	4.95	-	12.19 ( 3.50 - 13.40 )	3.66 ( 0.93 - 5.79 )	16.09	99
18+22+22+50+50	1.34	1.64	1.64	3.73	3.73	-	12.08 ( 3.50 - 13.30 )	3.64 ( 0.93 - 5.78 )	15.97	99
18+22+22+50+60	1.28	1.56	1.56	3.55	4.26	-	12.21 ( 3.50 - 13.40 )	3.66 ( 0.93 - 5.79 )	16.09	99
18+22+25+25+25	1.77	2.16	2.46	2.46	2.46	-	11.31 ( 3.50 - 13.20 )	3.18 ( 0.93 - 5.79 )	13.98	99
18+22+25+25+35	1.71	2.09	2.38	2.38	3.33	-	11.89 ( 3.50 - 13.20 )	3.39 ( 0.93 - 5.76 )	14.89	99
18+22+25+25+42	1.62	1.98	2.25	2.25	3.79	-	11.89 ( 3.50 - 13.20 )	3.54 ( 0.93 - 5.76 )	15.53	99
18+22+25+25+50	1.54	1.89	2.14	2.14	4.29	-	12.00 ( 3.50 - 13.30 )	3.56 ( 0.93 - 5.78 )	15.65	99
18+22+25+25+60	1.45	1.77	2.02	2.02	4.84	-	12.10 ( 3.50 - 13.30 )	3.60 ( 0.93 - 5.78 )	15.79	99

## MXZ-6D122VA COOLING

Indoor units combination	Cooling Capacity (kW)							Outdoor unit power consumption (kW)	Current (A)	Power factor (%)
	Unit A	Unit B	Unit C	Unit D	Unit E	Unit F	Total			
18+22+25+25+71	1.35	1.65	1.88	1.88	5.34	-	12.10 ( 3.50 - 13.30 )	3.63 ( 0.93 - 5.78 )	15.95	99
18+22+25+35+35	1.60	1.96	2.22	3.11	3.11	-	12.00 ( 3.50 - 13.30 )	3.55 ( 0.93 - 5.78 )	15.58	99
18+22+25+35+42	1.52	1.86	2.11	2.96	3.55	-	12.00 ( 3.50 - 13.30 )	3.57 ( 0.93 - 5.78 )	15.68	99
18+22+25+35+50	1.45	1.77	2.02	2.82	4.03	-	12.09 ( 3.50 - 13.30 )	3.60 ( 0.93 - 5.78 )	15.79	99
18+22+25+35+60	1.36	1.66	1.89	2.65	4.54	-	12.10 ( 3.50 - 13.30 )	3.63 ( 0.93 - 5.78 )	15.93	99
18+22+25+35+71	1.28	1.57	1.78	2.50	5.07	-	12.20 ( 3.50 - 13.40 )	3.66 ( 0.93 - 5.79 )	16.09	99
18+22+25+42+42	1.45	1.77	2.01	3.38	3.38	-	11.99 ( 3.50 - 13.30 )	3.59 ( 0.93 - 5.78 )	15.78	99
18+22+25+42+50	1.39	1.70	1.93	3.24	3.85	-	12.11 ( 3.50 - 13.30 )	3.62 ( 0.93 - 5.78 )	15.88	99
18+22+25+42+60	1.31	1.61	1.83	3.07	4.38	-	12.20 ( 3.50 - 13.40 )	3.66 ( 0.93 - 5.79 )	16.07	99
18+22+25+42+71	1.23	1.51	1.71	2.88	4.87	-	12.20 ( 3.50 - 13.40 )	3.66 ( 0.93 - 5.79 )	16.09	99
18+22+25+50+50	1.32	1.61	1.83	3.67	3.67	-	12.10 ( 3.50 - 13.30 )	3.65 ( 0.93 - 5.78 )	16.03	99
18+22+25+50+60	1.25	1.53	1.74	3.49	4.18	-	12.19 ( 3.50 - 13.40 )	3.66 ( 0.93 - 5.79 )	16.09	99
18+22+35+35+35	1.49	1.82	2.90	2.90	2.90	-	12.01 ( 3.50 - 13.30 )	3.58 ( 0.93 - 5.78 )	15.73	99
18+22+35+35+42	1.43	1.75	2.79	2.79	3.34	-	12.10 ( 3.50 - 13.30 )	3.60 ( 0.93 - 5.78 )	15.82	99
18+22+35+35+50	1.36	1.66	2.65	2.65	3.78	-	12.10 ( 3.50 - 13.30 )	3.63 ( 0.93 - 5.78 )	15.93	99
18+22+35+35+60	1.29	1.58	2.51	2.51	4.31	-	12.20 ( 3.50 - 13.40 )	3.66 ( 0.93 - 5.79 )	16.09	99
18+22+35+42+42	1.37	1.67	2.66	3.20	3.20	-	12.10 ( 3.50 - 13.30 )	3.62 ( 0.93 - 5.78 )	15.91	99
18+22+35+42+50	1.31	1.61	2.56	3.07	3.65	-	12.20 ( 3.50 - 13.40 )	3.66 ( 0.93 - 5.79 )	16.07	99
18+22+35+42+60	1.24	1.52	2.41	2.89	4.14	-	12.20 ( 3.50 - 13.40 )	3.66 ( 0.93 - 5.79 )	16.09	99
18+22+35+50+50	1.25	1.53	2.44	3.49	3.49	-	12.20 ( 3.50 - 13.40 )	3.66 ( 0.93 - 5.79 )	16.09	99
18+22+42+42+42	1.31	1.60	3.06	3.06	3.06	-	12.09 ( 3.50 - 13.30 )	3.65 ( 0.93 - 5.78 )	16.05	99
18+22+42+42+50	1.26	1.54	2.94	2.94	3.51	-	12.19 ( 3.50 - 13.40 )	3.66 ( 0.93 - 5.79 )	16.09	99
18+25+25+25+25	1.75	2.43	2.43	2.43	2.43	-	11.47 ( 3.50 - 13.20 )	3.25 ( 0.93 - 5.77 )	14.25	99
18+25+25+25+35	1.67	2.32	2.32	2.32	3.25	-	11.88 ( 3.50 - 13.20 )	3.45 ( 0.93 - 5.76 )	15.17	99
18+25+25+25+42	1.60	2.22	2.22	2.22	3.73	-	11.99 ( 3.50 - 13.30 )	3.55 ( 0.93 - 5.78 )	15.58	99
18+25+25+25+50	1.51	2.10	2.10	2.10	4.20	-	12.01 ( 3.50 - 13.30 )	3.57 ( 0.93 - 5.78 )	15.70	99
18+25+25+25+60	1.42	1.98	1.98	1.98	4.75	-	12.11 ( 3.50 - 13.30 )	3.60 ( 0.93 - 5.78 )	15.83	99
18+25+25+25+71	1.33	1.84	1.84	1.84	5.24	-	12.09 ( 3.50 - 13.30 )	3.65 ( 0.93 - 5.78 )	16.01	99
18+25+25+35+35	1.57	2.17	2.17	3.04	3.04	-	11.99 ( 3.50 - 13.30 )	3.56 ( 0.93 - 5.78 )	15.62	99
18+25+25+35+42	1.49	2.07	2.07	2.90	3.48	-	12.01 ( 3.50 - 13.30 )	3.58 ( 0.93 - 5.78 )	15.73	99
18+25+25+35+50	1.42	1.98	1.98	2.77	3.95	-	12.10 ( 3.50 - 13.30 )	3.60 ( 0.93 - 5.78 )	15.83	99
18+25+25+35+60	1.34	1.86	1.86	2.60	4.45	-	12.11 ( 3.50 - 13.30 )	3.64 ( 0.93 - 5.78 )	15.99	99
18+25+25+35+71	1.26	1.75	1.75	2.45	4.98	-	12.19 ( 3.50 - 13.40 )	3.66 ( 0.93 - 5.79 )	16.09	99
18+25+25+42+42	1.43	1.99	1.99	3.34	3.34	-	12.09 ( 3.50 - 13.30 )	3.60 ( 0.93 - 5.78 )	15.82	99
18+25+25+42+50	1.36	1.89	1.89	3.18	3.78	-	12.10 ( 3.50 - 13.30 )	3.63 ( 0.93 - 5.78 )	15.93	99
18+25+25+42+60	1.29	1.79	1.79	3.01	4.31	-	12.19 ( 3.50 - 13.40 )	3.66 ( 0.93 - 5.79 )	16.09	99



## MXZ-6D122VA COOLING

Indoor units combination	Cooling Capacity (kW)							Outdoor unit power consumption (kW)	Current (A)	Power factor (%)
	Unit A	Unit B	Unit C	Unit D	Unit E	Unit F	Total			
18+25+25+50+50	1.31	1.82	1.82	3.63	3.63	-	12.21 ( 3.50 - 13.40 )	3.66 ( 0.93 - 5.79 )	16.09	99
18+25+25+50+60	1.23	1.71	1.71	3.43	4.11	-	12.19 ( 3.50 - 13.40 )	3.66 ( 0.93 - 5.79 )	16.09	99
18+25+35+35+35	1.46	2.03	2.84	2.84	2.84	-	12.01 ( 3.50 - 13.30 )	3.59 ( 0.93 - 5.78 )	15.77	99
18+25+35+35+42	1.41	1.95	2.73	2.73	3.28	-	12.10 ( 3.50 - 13.30 )	3.61 ( 0.93 - 5.78 )	15.85	99
18+25+35+35+50	1.34	1.86	2.60	2.60	3.71	-	12.11 ( 3.50 - 13.30 )	3.64 ( 0.93 - 5.78 )	15.99	99
18+25+35+35+60	1.27	1.76	2.47	2.47	4.23	-	12.20 ( 3.50 - 13.40 )	3.66 ( 0.93 - 5.79 )	16.09	99
18+25+35+42+42	1.34	1.87	2.61	3.14	3.14	-	12.10 ( 3.50 - 13.30 )	3.64 ( 0.93 - 5.78 )	15.97	99
18+25+35+42+50	1.29	1.79	2.51	3.01	3.59	-	12.19 ( 3.50 - 13.40 )	3.66 ( 0.93 - 5.79 )	16.09	99
18+25+35+42+60	1.22	1.69	2.37	2.85	4.07	-	12.20 ( 3.50 - 13.40 )	3.66 ( 0.93 - 5.79 )	16.09	99
18+25+35+50+50	1.23	1.71	2.40	3.43	3.43	-	12.20 ( 3.50 - 13.40 )	3.66 ( 0.93 - 5.79 )	16.09	99
18+25+42+42+42	1.30	1.80	3.03	3.03	3.03	-	12.19 ( 3.50 - 13.40 )	3.66 ( 0.93 - 5.79 )	16.09	99
18+25+42+42+50	1.24	1.72	2.89	2.89	3.45	-	12.19 ( 3.50 - 13.40 )	3.66 ( 0.93 - 5.79 )	16.09	99
18+35+35+35+35	1.38	2.68	2.68	2.68	2.68	-	12.10 ( 3.50 - 13.30 )	3.62 ( 0.93 - 5.78 )	15.89	99
18+35+35+35+42	1.32	2.57	2.57	2.57	3.08	-	12.11 ( 3.50 - 13.30 )	3.65 ( 0.93 - 5.78 )	16.03	99
18+35+35+35+50	1.27	2.47	2.47	2.47	3.53	-	12.21 ( 3.50 - 13.40 )	3.66 ( 0.93 - 5.79 )	16.09	99
18+35+35+42+42	1.28	2.48	2.48	2.98	2.98	-	12.20 ( 3.50 - 13.40 )	3.66 ( 0.93 - 5.79 )	16.09	99
18+35+35+42+50	1.22	2.37	2.37	2.85	3.39	-	12.20 ( 3.50 - 13.40 )	3.66 ( 0.93 - 5.79 )	16.09	99
18+35+42+42+42	1.23	2.39	2.86	2.86	2.86	-	12.20 ( 3.50 - 13.40 )	3.66 ( 0.93 - 5.79 )	16.09	99
20+20+20+20+20	2.00	2.00	2.00	2.00	2.00	-	10.00 ( 3.50 - 11.80 )	2.83 ( 0.98 - 5.48 )	12.41	99
20+20+20+20+22	2.00	2.00	2.00	2.00	2.20	-	10.20 ( 3.50 - 12.10 )	2.90 ( 0.97 - 5.55 )	12.72	99
20+20+20+20+25	2.00	2.00	2.00	2.00	2.50	-	10.50 ( 3.50 - 12.50 )	2.96 ( 0.96 - 5.65 )	13.02	99
20+20+20+20+35	1.97	1.97	1.97	1.97	3.44	-	11.32 ( 3.50 - 13.20 )	3.18 ( 0.93 - 5.79 )	13.98	99
20+20+20+20+42	1.92	1.92	1.92	1.92	4.03	-	11.71 ( 3.50 - 13.20 )	3.33 ( 0.93 - 5.77 )	14.62	99
20+20+20+20+50	1.83	1.83	1.83	1.83	4.58	-	11.90 ( 3.50 - 13.20 )	3.49 ( 0.93 - 5.76 )	15.35	99
20+20+20+20+60	1.71	1.71	1.71	1.71	5.14	-	11.98 ( 3.50 - 13.30 )	3.56 ( 0.93 - 5.78 )	15.65	99
20+20+20+20+71	1.60	1.60	1.60	1.60	5.69	-	12.09 ( 3.50 - 13.30 )	3.60 ( 0.93 - 5.78 )	15.80	99
20+20+20+22+22	2.00	2.00	2.00	2.20	2.20	-	10.40 ( 3.50 - 12.40 )	2.94 ( 0.96 - 5.62 )	12.92	99
20+20+20+22+25	2.00	2.00	2.00	2.20	2.50	-	10.70 ( 3.50 - 12.80 )	3.01 ( 0.95 - 5.72 )	13.22	99
20+20+20+22+35	1.95	1.95	1.95	2.14	3.41	-	11.40 ( 3.50 - 13.20 )	3.22 ( 0.93 - 5.79 )	14.16	99
20+20+20+22+42	1.90	1.90	1.90	2.09	4.00	-	11.79 ( 3.50 - 13.20 )	3.37 ( 0.93 - 5.76 )	14.80	99
20+20+20+22+50	1.80	1.80	1.80	1.98	4.51	-	11.89 ( 3.50 - 13.20 )	3.54 ( 0.93 - 5.76 )	15.53	99
20+20+20+22+60	1.69	1.69	1.69	1.86	5.07	-	12.00 ( 3.50 - 13.30 )	3.57 ( 0.93 - 5.78 )	15.68	99
20+20+20+22+71	1.58	1.58	1.58	1.74	5.62	-	12.10 ( 3.50 - 13.30 )	3.60 ( 0.93 - 5.78 )	15.83	99
20+20+20+25+25	2.00	2.00	2.00	2.50	2.50	-	11.00 ( 3.50 - 13.20 )	3.08 ( 0.93 - 5.81 )	13.51	99
20+20+20+25+35	1.93	1.93	1.93	2.42	3.38	-	11.59 ( 3.50 - 13.20 )	3.29 ( 0.93 - 5.78 )	14.44	99
20+20+20+25+42	1.87	1.87	1.87	2.34	3.94	-	11.89 ( 3.50 - 13.20 )	3.43 ( 0.93 - 5.76 )	15.08	99

# MXZ-6D122VA COOLING

Indoor units combination	Cooling Capacity (kW)							Outdoor unit power consumption (kW)	Current (A)	Power factor (%)
	Unit A	Unit B	Unit C	Unit D	Unit E	Unit F	Total			
20+20+20+25+50	1.78	1.78	1.78	2.22	4.44	-	12.00 ( 3.50 - 13.30 )	3.55 ( 0.93 - 5.78 )	15.58	99
20+20+20+25+60	1.66	1.66	1.66	2.07	4.97	-	12.02 ( 3.50 - 13.30 )	3.58 ( 0.93 - 5.78 )	15.73	99
20+20+20+25+71	1.55	1.55	1.55	1.94	5.51	-	12.10 ( 3.50 - 13.30 )	3.61 ( 0.93 - 5.78 )	15.87	99
20+20+20+35+35	1.83	1.83	1.83	3.20	3.20	-	11.89 ( 3.50 - 13.20 )	3.49 ( 0.93 - 5.76 )	15.35	99
20+20+20+35+42	1.75	1.75	1.75	3.07	3.68	-	12.00 ( 3.50 - 13.30 )	3.55 ( 0.93 - 5.78 )	15.61	99
20+20+20+35+50	1.66	1.66	1.66	2.90	4.14	-	12.02 ( 3.50 - 13.30 )	3.58 ( 0.93 - 5.78 )	15.73	99
20+20+20+35+60	1.56	1.56	1.56	2.73	4.68	-	12.09 ( 3.50 - 13.30 )	3.61 ( 0.93 - 5.78 )	15.85	99
20+20+20+35+71	1.46	1.46	1.46	2.55	5.18	-	12.11 ( 3.50 - 13.30 )	3.65 ( 0.93 - 5.78 )	16.05	99
20+20+20+42+42	1.67	1.67	1.67	3.50	3.50	-	12.01 ( 3.50 - 13.30 )	3.58 ( 0.93 - 5.78 )	15.71	99
20+20+20+42+50	1.59	1.59	1.59	3.34	3.98	-	12.09 ( 3.50 - 13.30 )	3.60 ( 0.93 - 5.78 )	15.82	99
20+20+20+42+60	1.49	1.49	1.49	3.14	4.48	-	12.09 ( 3.50 - 13.30 )	3.64 ( 0.93 - 5.78 )	15.97	99
20+20+20+42+71	1.41	1.41	1.41	2.96	5.01	-	12.20 ( 3.50 - 13.40 )	3.66 ( 0.93 - 5.79 )	16.09	99
20+20+20+50+50	1.51	1.51	1.51	3.78	3.78	-	12.09 ( 3.50 - 13.30 )	3.63 ( 0.93 - 5.78 )	15.93	99
20+20+20+50+60	1.44	1.44	1.44	3.59	4.31	-	12.22 ( 3.50 - 13.40 )	3.66 ( 0.93 - 5.79 )	16.09	99
20+20+20+60+60	1.36	1.36	1.36	4.07	4.07	-	12.22 ( 3.50 - 13.40 )	3.66 ( 0.93 - 5.79 )	16.09	99
20+20+22+22+22	2.00	2.00	2.20	2.20	2.20	-	10.60 ( 3.50 - 12.60 )	2.99 ( 0.96 - 5.67 )	13.12	99
20+20+22+22+25	2.00	2.00	2.20	2.20	2.50	-	10.90 ( 3.50 - 13.10 )	3.05 ( 0.93 - 5.79 )	13.41	99
20+20+22+22+35	1.93	1.93	2.13	2.13	3.38	-	11.50 ( 3.50 - 13.20 )	3.27 ( 0.93 - 5.78 )	14.35	99
20+20+22+22+42	1.89	1.89	2.08	2.08	3.97	-	11.91 ( 3.50 - 13.20 )	3.41 ( 0.93 - 5.76 )	14.98	99
20+20+22+22+50	1.79	1.79	1.97	1.97	4.48	-	12.00 ( 3.50 - 13.30 )	3.54 ( 0.93 - 5.78 )	15.56	99
20+20+22+22+60	1.67	1.67	1.83	1.83	5.00	-	12.00 ( 3.50 - 13.30 )	3.58 ( 0.93 - 5.78 )	15.71	99
20+20+22+22+71	1.56	1.56	1.72	1.72	5.54	-	12.10 ( 3.50 - 13.30 )	3.61 ( 0.93 - 5.78 )	15.85	99
20+20+22+25+25	1.98	1.98	2.18	2.48	2.48	-	11.10 ( 3.50 - 13.20 )	3.12 ( 0.93 - 5.80 )	13.71	99
20+20+22+25+35	1.92	1.92	2.11	2.40	3.36	-	11.71 ( 3.50 - 13.20 )	3.33 ( 0.93 - 5.77 )	14.62	99
20+20+22+25+42	1.84	1.84	2.03	2.31	3.87	-	11.89 ( 3.50 - 13.20 )	3.47 ( 0.93 - 5.76 )	15.26	99
20+20+22+25+50	1.75	1.75	1.93	2.19	4.38	-	12.00 ( 3.50 - 13.30 )	3.55 ( 0.93 - 5.78 )	15.61	99
20+20+22+25+60	1.63	1.63	1.80	2.04	4.90	-	12.00 ( 3.50 - 13.30 )	3.59 ( 0.93 - 5.78 )	15.75	99
20+20+22+25+71	1.53	1.53	1.68	1.91	5.44	-	12.09 ( 3.50 - 13.30 )	3.62 ( 0.93 - 5.78 )	15.89	99
20+20+22+35+35	1.80	1.80	1.98	3.16	3.16	-	11.90 ( 3.50 - 13.20 )	3.54 ( 0.93 - 5.76 )	15.53	99
20+20+22+35+42	1.73	1.73	1.90	3.02	3.63	-	12.01 ( 3.50 - 13.30 )	3.56 ( 0.93 - 5.78 )	15.64	99
20+20+22+35+50	1.63	1.63	1.80	2.86	4.08	-	12.00 ( 3.50 - 13.30 )	3.59 ( 0.93 - 5.78 )	15.75	99
20+20+22+35+60	1.54	1.54	1.70	2.70	4.62	-	12.10 ( 3.50 - 13.30 )	3.62 ( 0.93 - 5.78 )	15.88	99
20+20+22+35+71	1.45	1.45	1.60	2.54	5.16	-	12.20 ( 3.50 - 13.40 )	3.66 ( 0.93 - 5.79 )	16.09	99
20+20+22+42+42	1.64	1.64	1.81	3.45	3.45	-	11.99 ( 3.50 - 13.30 )	3.58 ( 0.93 - 5.78 )	15.74	99
20+20+22+42+50	1.57	1.57	1.73	3.30	3.93	-	12.10 ( 3.50 - 13.30 )	3.61 ( 0.93 - 5.78 )	15.84	99
20+20+22+42+60	1.48	1.48	1.62	3.10	4.43	-	12.11 ( 3.50 - 13.30 )	3.65 ( 0.93 - 5.78 )	16.01	99

# MXZ-6D122VA COOLING

Indoor units combination	Cooling Capacity (kW)						Outdoor unit power consumption (kW)	Current (A)	Power factor (%)	
	Unit A	Unit B	Unit C	Unit D	Unit E	Unit F				Total
20+20+22+42+71	1.39	1.39	1.53	2.93	4.95	-	12.19 ( 3.50 - 13.40 )	3.66 ( 0.93 - 5.79 )	16.09	99
20+20+22+50+50	1.49	1.49	1.64	3.73	3.73	-	12.08 ( 3.50 - 13.30 )	3.64 ( 0.93 - 5.78 )	15.97	99
20+20+22+50+60	1.42	1.42	1.56	3.55	4.26	-	12.21 ( 3.50 - 13.40 )	3.66 ( 0.93 - 5.79 )	16.09	99
20+20+25+25+25	1.97	1.97	2.46	2.46	2.46	-	11.32 ( 3.50 - 13.20 )	3.18 ( 0.93 - 5.79 )	13.98	99
20+20+25+25+35	1.90	1.90	2.38	2.38	3.33	-	11.89 ( 3.50 - 13.20 )	3.39 ( 0.93 - 5.76 )	14.89	99
20+20+25+25+42	1.80	1.80	2.25	2.25	3.79	-	11.89 ( 3.50 - 13.20 )	3.54 ( 0.93 - 5.76 )	15.53	99
20+20+25+25+50	1.71	1.71	2.14	2.14	4.29	-	11.99 ( 3.50 - 13.30 )	3.56 ( 0.93 - 5.78 )	15.65	99
20+20+25+25+60	1.61	1.61	2.02	2.02	4.84	-	12.10 ( 3.50 - 13.30 )	3.60 ( 0.93 - 5.78 )	15.79	99
20+20+25+25+71	1.50	1.50	1.88	1.88	5.34	-	12.10 ( 3.50 - 13.30 )	3.63 ( 0.93 - 5.78 )	15.95	99
20+20+25+35+35	1.78	1.78	2.22	3.11	3.11	-	12.00 ( 3.50 - 13.30 )	3.55 ( 0.93 - 5.78 )	15.58	99
20+20+25+35+42	1.69	1.69	2.11	2.96	3.55	-	12.00 ( 3.50 - 13.30 )	3.57 ( 0.93 - 5.78 )	15.68	99
20+20+25+35+50	1.61	1.61	2.02	2.82	4.03	-	12.09 ( 3.50 - 13.30 )	3.60 ( 0.93 - 5.78 )	15.79	99
20+20+25+35+60	1.51	1.51	1.89	2.65	4.54	-	12.10 ( 3.50 - 13.30 )	3.63 ( 0.93 - 5.78 )	15.93	99
20+20+25+35+71	1.43	1.43	1.78	2.50	5.07	-	12.21 ( 3.50 - 13.40 )	3.66 ( 0.93 - 5.79 )	16.09	99
20+20+25+42+42	1.61	1.61	2.01	3.38	3.38	-	11.99 ( 3.50 - 13.30 )	3.59 ( 0.93 - 5.78 )	15.78	99
20+20+25+42+50	1.54	1.54	1.93	3.24	3.85	-	12.10 ( 3.50 - 13.30 )	3.62 ( 0.93 - 5.78 )	15.88	99
20+20+25+42+60	1.46	1.46	1.83	3.07	4.38	-	12.20 ( 3.50 - 13.40 )	3.66 ( 0.93 - 5.79 )	16.07	99
20+20+25+42+71	1.37	1.37	1.71	2.88	4.87	-	12.20 ( 3.50 - 13.40 )	3.66 ( 0.93 - 5.79 )	16.09	99
20+20+25+50+50	1.47	1.47	1.83	3.67	3.67	-	12.11 ( 3.50 - 13.30 )	3.65 ( 0.93 - 5.78 )	16.03	99
20+20+25+50+60	1.39	1.39	1.74	3.49	4.18	-	12.19 ( 3.50 - 13.40 )	3.66 ( 0.93 - 5.79 )	16.09	99
20+20+35+35+35	1.66	1.66	2.90	2.90	2.90	-	12.02 ( 3.50 - 13.30 )	3.58 ( 0.93 - 5.78 )	15.73	99
20+20+35+35+42	1.59	1.59	2.79	2.79	3.34	-	12.10 ( 3.50 - 13.30 )	3.60 ( 0.93 - 5.78 )	15.82	99
20+20+35+35+50	1.51	1.51	2.65	2.65	3.78	-	12.10 ( 3.50 - 13.30 )	3.63 ( 0.93 - 5.78 )	15.93	99
20+20+35+35+60	1.44	1.44	2.51	2.51	4.31	-	12.21 ( 3.50 - 13.40 )	3.66 ( 0.93 - 5.79 )	16.09	99
20+20+35+42+42	1.52	1.52	2.66	3.20	3.20	-	12.10 ( 3.50 - 13.30 )	3.62 ( 0.93 - 5.78 )	15.91	99
20+20+35+42+50	1.46	1.46	2.56	3.07	3.65	-	12.20 ( 3.50 - 13.40 )	3.66 ( 0.93 - 5.79 )	16.07	99
20+20+35+42+60	1.38	1.38	2.41	2.89	4.14	-	12.20 ( 3.50 - 13.40 )	3.66 ( 0.93 - 5.79 )	16.09	99
20+20+35+50+50	1.39	1.39	2.44	3.49	3.49	-	12.20 ( 3.50 - 13.40 )	3.66 ( 0.93 - 5.79 )	16.09	99
20+20+42+42+42	1.46	1.46	3.06	3.06	3.06	-	12.10 ( 3.50 - 13.30 )	3.65 ( 0.93 - 5.78 )	16.05	99
20+20+42+42+50	1.40	1.40	2.94	2.94	3.51	-	12.19 ( 3.50 - 13.40 )	3.66 ( 0.93 - 5.79 )	16.09	99
20+22+22+22+22	2.00	2.20	2.20	2.20	2.20	-	10.80 ( 3.50 - 12.90 )	3.03 ( 0.95 - 5.74 )	13.31	99
20+22+22+22+25	2.00	2.20	2.20	2.20	2.50	-	11.10 ( 3.50 - 13.20 )	3.10 ( 0.93 - 5.81 )	13.61	99
20+22+22+22+35	1.93	2.13	2.13	2.13	3.38	-	11.70 ( 3.50 - 13.20 )	3.31 ( 0.93 - 5.77 )	14.53	99
20+22+22+22+42	1.86	2.05	2.05	2.05	3.90	-	11.91 ( 3.50 - 13.20 )	3.45 ( 0.93 - 5.76 )	15.17	99
20+22+22+22+50	1.76	1.94	1.94	1.94	4.41	-	11.99 ( 3.50 - 13.30 )	3.55 ( 0.93 - 5.78 )	15.59	99
20+22+22+22+60	1.64	1.81	1.81	1.81	4.93	-	12.00 ( 3.50 - 13.30 )	3.58 ( 0.93 - 5.78 )	15.74	99

# MXZ-6D122VA COOLING

Indoor units combination	Cooling Capacity (kW)						Outdoor unit power consumption (kW)	Current (A)	Power factor (%)	
	Unit A	Unit B	Unit C	Unit D	Unit E	Unit F				Total
20+22+22+22+71	1.54	1.70	1.70	1.70	5.47	-	12.11 ( 3.50 - 13.30 )	3.62 ( 0.93 - 5.78 )	15.88	99
20+22+22+25+25	1.96	2.16	2.16	2.46	2.46	-	11.20 ( 3.50 - 13.20 )	3.16 ( 0.93 - 5.80 )	13.89	99
20+22+22+25+35	1.90	2.09	2.09	2.38	3.33	-	11.79 ( 3.50 - 13.20 )	3.37 ( 0.93 - 5.76 )	14.80	99
20+22+22+25+42	1.82	2.00	2.00	2.27	3.82	-	11.91 ( 3.50 - 13.20 )	3.52 ( 0.93 - 5.76 )	15.44	99
20+22+22+25+50	1.73	1.90	1.90	2.16	4.32	-	12.01 ( 3.50 - 13.30 )	3.56 ( 0.93 - 5.78 )	15.64	99
20+22+22+25+60	1.61	1.77	1.77	2.01	4.83	-	11.99 ( 3.50 - 13.30 )	3.59 ( 0.93 - 5.78 )	15.78	99
20+22+22+25+71	1.51	1.66	1.66	1.89	5.37	-	12.09 ( 3.50 - 13.30 )	3.63 ( 0.93 - 5.78 )	15.93	99
20+22+22+35+35	1.79	1.97	1.97	3.13	3.13	-	11.99 ( 3.50 - 13.30 )	3.54 ( 0.93 - 5.78 )	15.56	99
20+22+22+35+42	1.70	1.87	1.87	2.98	3.57	-	11.99 ( 3.50 - 13.30 )	3.57 ( 0.93 - 5.78 )	15.67	99
20+22+22+35+50	1.61	1.77	1.77	2.82	4.03	-	12.00 ( 3.50 - 13.30 )	3.59 ( 0.93 - 5.78 )	15.78	99
20+22+22+35+60	1.52	1.67	1.67	2.66	4.57	-	12.09 ( 3.50 - 13.30 )	3.62 ( 0.93 - 5.78 )	15.91	99
20+22+22+35+71	1.44	1.58	1.58	2.51	5.10	-	12.21 ( 3.50 - 13.40 )	3.66 ( 0.93 - 5.79 )	16.09	99
20+22+22+42+42	1.62	1.78	1.78	3.41	3.41	-	12.00 ( 3.50 - 13.30 )	3.59 ( 0.93 - 5.78 )	15.77	99
20+22+22+42+50	1.55	1.71	1.71	3.26	3.88	-	12.11 ( 3.50 - 13.30 )	3.61 ( 0.93 - 5.78 )	15.87	99
20+22+22+42+60	1.46	1.60	1.60	3.06	4.37	-	12.09 ( 3.50 - 13.30 )	3.65 ( 0.93 - 5.78 )	16.05	99
20+22+22+42+71	1.38	1.52	1.52	2.89	4.89	-	12.20 ( 3.50 - 13.40 )	3.66 ( 0.93 - 5.79 )	16.09	99
20+22+22+50+50	1.48	1.62	1.62	3.69	3.69	-	12.10 ( 3.50 - 13.30 )	3.65 ( 0.93 - 5.78 )	16.01	99
20+22+22+50+60	1.40	1.54	1.54	3.51	4.21	-	12.20 ( 3.50 - 13.40 )	3.66 ( 0.93 - 5.79 )	16.09	99
20+22+25+25+25	1.95	2.14	2.44	2.44	2.44	-	11.41 ( 3.50 - 13.20 )	3.22 ( 0.93 - 5.79 )	14.16	99
20+22+25+25+35	1.87	2.06	2.34	2.34	3.28	-	11.89 ( 3.50 - 13.20 )	3.43 ( 0.93 - 5.76 )	15.08	99
20+22+25+25+42	1.79	1.97	2.24	2.24	3.76	-	12.00 ( 3.50 - 13.30 )	3.54 ( 0.93 - 5.78 )	15.56	99
20+22+25+25+50	1.69	1.86	2.11	2.11	4.23	-	12.00 ( 3.50 - 13.30 )	3.57 ( 0.93 - 5.78 )	15.68	99
20+22+25+25+60	1.59	1.75	1.99	1.99	4.78	-	12.10 ( 3.50 - 13.30 )	3.60 ( 0.93 - 5.78 )	15.82	99
20+22+25+25+71	1.48	1.63	1.86	1.86	5.27	-	12.10 ( 3.50 - 13.30 )	3.64 ( 0.93 - 5.78 )	15.99	99
20+22+25+35+35	1.75	1.93	2.19	3.07	3.07	-	12.01 ( 3.50 - 13.30 )	3.55 ( 0.93 - 5.78 )	15.61	99
20+22+25+35+42	1.67	1.83	2.08	2.92	3.50	-	12.00 ( 3.50 - 13.30 )	3.58 ( 0.93 - 5.78 )	15.71	99
20+22+25+35+50	1.59	1.75	1.99	2.79	3.98	-	12.10 ( 3.50 - 13.30 )	3.60 ( 0.93 - 5.78 )	15.82	99
20+22+25+35+60	1.49	1.64	1.87	2.61	4.48	-	12.09 ( 3.50 - 13.30 )	3.64 ( 0.93 - 5.78 )	15.97	99
20+22+25+35+71	1.41	1.55	1.76	2.47	5.01	-	12.20 ( 3.50 - 13.40 )	3.66 ( 0.93 - 5.79 )	16.09	99
20+22+25+42+42	1.60	1.76	2.00	3.37	3.37	-	12.10 ( 3.50 - 13.30 )	3.60 ( 0.93 - 5.78 )	15.80	99
20+22+25+42+50	1.52	1.67	1.90	3.20	3.81	-	12.10 ( 3.50 - 13.30 )	3.62 ( 0.93 - 5.78 )	15.91	99
20+22+25+42+60	1.44	1.59	1.80	3.03	4.33	-	12.19 ( 3.50 - 13.40 )	3.66 ( 0.93 - 5.79 )	16.09	99
20+22+25+42+71	1.36	1.49	1.69	2.85	4.81	-	12.20 ( 3.50 - 13.40 )	3.66 ( 0.93 - 5.79 )	16.09	99
20+22+25+50+50	1.46	1.61	1.83	3.65	3.65	-	12.20 ( 3.50 - 13.40 )	3.66 ( 0.93 - 5.79 )	16.07	99
20+22+25+50+60	1.38	1.52	1.72	3.45	4.14	-	12.21 ( 3.50 - 13.40 )	3.66 ( 0.93 - 5.79 )	16.09	99
20+22+35+35+35	1.63	1.80	2.86	2.86	2.86	-	12.01 ( 3.50 - 13.30 )	3.59 ( 0.93 - 5.78 )	15.75	99

# MXZ-6D122VA COOLING

Indoor units combination	Cooling Capacity (kW)						Outdoor unit power consumption (kW)	Current (A)	Power factor (%)	
	Unit A	Unit B	Unit C	Unit D	Unit E	Unit F				Total
20+22+35+35+42	1.57	1.73	2.75	2.75	3.30	-	12.10 ( 3.50 - 13.30 )	3.61 ( 0.93 - 5.78 )	15.84	99
20+22+35+35+50	1.49	1.64	2.61	2.61	3.73	-	12.08 ( 3.50 - 13.30 )	3.64 ( 0.93 - 5.78 )	15.97	99
20+22+35+35+60	1.42	1.56	2.48	2.48	4.26	-	12.20 ( 3.50 - 13.40 )	3.66 ( 0.93 - 5.79 )	16.09	99
20+22+35+42+42	1.50	1.65	2.63	3.16	3.16	-	12.10 ( 3.50 - 13.30 )	3.63 ( 0.93 - 5.78 )	15.95	99
20+22+35+42+50	1.44	1.59	2.53	3.03	3.61	-	12.20 ( 3.50 - 13.40 )	3.66 ( 0.93 - 5.79 )	16.09	99
20+22+35+42+60	1.36	1.50	2.39	2.86	4.09	-	12.20 ( 3.50 - 13.40 )	3.66 ( 0.93 - 5.79 )	16.09	99
20+22+35+50+50	1.38	1.52	2.41	3.45	3.45	-	12.21 ( 3.50 - 13.40 )	3.66 ( 0.93 - 5.79 )	16.09	99
20+22+42+42+42	1.45	1.60	3.05	3.05	3.05	-	12.20 ( 3.50 - 13.40 )	3.66 ( 0.93 - 5.79 )	16.09	99
20+22+42+42+50	1.39	1.53	2.91	2.91	3.47	-	12.21 ( 3.50 - 13.40 )	3.66 ( 0.93 - 5.79 )	16.09	99
20+25+25+25+25	1.93	2.42	2.42	2.42	2.42	-	11.61 ( 3.50 - 13.20 )	3.29 ( 0.93 - 5.78 )	14.44	99
20+25+25+25+35	1.83	2.29	2.29	2.29	3.20	-	11.90 ( 3.50 - 13.20 )	3.49 ( 0.93 - 5.76 )	15.35	99
20+25+25+25+42	1.75	2.19	2.19	2.19	3.68	-	12.00 ( 3.50 - 13.30 )	3.55 ( 0.93 - 5.78 )	15.61	99
20+25+25+25+50	1.66	2.07	2.07	2.07	4.14	-	12.01 ( 3.50 - 13.30 )	3.58 ( 0.93 - 5.78 )	15.73	99
20+25+25+25+60	1.56	1.95	1.95	1.95	4.68	-	12.09 ( 3.50 - 13.30 )	3.61 ( 0.93 - 5.78 )	15.85	99
20+25+25+25+71	1.46	1.82	1.82	1.82	5.18	-	12.10 ( 3.50 - 13.30 )	3.65 ( 0.93 - 5.78 )	16.05	99
20+25+25+35+35	1.71	2.14	2.14	3.00	3.00	-	11.99 ( 3.50 - 13.30 )	3.56 ( 0.93 - 5.78 )	15.65	99
20+25+25+35+42	1.63	2.04	2.04	2.86	3.43	-	12.00 ( 3.50 - 13.30 )	3.59 ( 0.93 - 5.78 )	15.75	99
20+25+25+35+50	1.56	1.95	1.95	2.73	3.90	-	12.09 ( 3.50 - 13.30 )	3.61 ( 0.93 - 5.78 )	15.85	99
20+25+25+35+60	1.47	1.83	1.83	2.57	4.40	-	12.10 ( 3.50 - 13.30 )	3.65 ( 0.93 - 5.78 )	16.03	99
20+25+25+35+71	1.39	1.73	1.73	2.43	4.92	-	12.20 ( 3.50 - 13.40 )	3.66 ( 0.93 - 5.79 )	16.09	99
20+25+25+42+42	1.57	1.96	1.96	3.30	3.30	-	12.09 ( 3.50 - 13.30 )	3.61 ( 0.93 - 5.78 )	15.84	99
20+25+25+42+50	1.49	1.87	1.87	3.14	3.73	-	12.10 ( 3.50 - 13.30 )	3.64 ( 0.93 - 5.78 )	15.97	99
20+25+25+42+60	1.42	1.77	1.77	2.98	4.26	-	12.20 ( 3.50 - 13.40 )	3.66 ( 0.93 - 5.79 )	16.09	99
20+25+25+50+50	1.44	1.79	1.79	3.59	3.59	-	12.20 ( 3.50 - 13.40 )	3.66 ( 0.93 - 5.79 )	16.09	99
20+25+25+50+60	1.36	1.69	1.69	3.39	4.07	-	12.20 ( 3.50 - 13.40 )	3.66 ( 0.93 - 5.79 )	16.09	99
20+25+35+35+35	1.61	2.02	2.82	2.82	2.82	-	12.09 ( 3.50 - 13.30 )	3.60 ( 0.93 - 5.78 )	15.79	99
20+25+35+35+42	1.54	1.93	2.70	2.70	3.24	-	12.11 ( 3.50 - 13.30 )	3.62 ( 0.93 - 5.78 )	15.88	99
20+25+35+35+50	1.47	1.83	2.57	2.57	3.67	-	12.11 ( 3.50 - 13.30 )	3.65 ( 0.93 - 5.78 )	16.03	99
20+25+35+35+60	1.39	1.74	2.44	2.44	4.18	-	12.19 ( 3.50 - 13.40 )	3.66 ( 0.93 - 5.79 )	16.09	99
20+25+35+42+42	1.48	1.84	2.58	3.10	3.10	-	12.10 ( 3.50 - 13.30 )	3.65 ( 0.93 - 5.78 )	16.01	99
20+25+35+42+50	1.42	1.77	2.48	2.98	3.55	-	12.20 ( 3.50 - 13.40 )	3.66 ( 0.93 - 5.79 )	16.09	99
20+25+35+50+50	1.36	1.69	2.37	3.39	3.39	-	12.20 ( 3.50 - 13.40 )	3.66 ( 0.93 - 5.79 )	16.09	99
20+25+42+42+42	1.43	1.78	3.00	3.00	3.00	-	12.21 ( 3.50 - 13.40 )	3.66 ( 0.93 - 5.79 )	16.09	99
20+25+42+42+50	1.36	1.70	2.86	2.86	3.41	-	12.19 ( 3.50 - 13.40 )	3.66 ( 0.93 - 5.79 )	16.09	99
20+35+35+35+35	1.51	2.65	2.65	2.65	2.65	-	12.11 ( 3.50 - 13.30 )	3.63 ( 0.93 - 5.78 )	15.93	99
20+35+35+35+42	1.46	2.56	2.56	2.56	3.07	-	12.21 ( 3.50 - 13.40 )	3.66 ( 0.93 - 5.79 )	16.07	99

**MXZ-6D122VA COOLING**

Indoor units combination	Cooling Capacity (kW)							Outdoor unit power consumption (kW)	Current (A)	Power factor (%)
	Unit A	Unit B	Unit C	Unit D	Unit E	Unit F	Total			
20+35+35+35+50	1.39	2.44	2.44	2.44	3.49	-	12.20 ( 3.50 - 13.40 )	3.66 ( 0.93 - 5.79 )	16.09	99
20+35+35+42+42	1.40	2.45	2.45	2.94	2.94	-	12.18 ( 3.50 - 13.40 )	3.66 ( 0.93 - 5.79 )	16.09	99
22+22+22+22+22	2.20	2.20	2.20	2.20	2.20	-	11.00 ( 3.50 - 13.20 )	3.08 ( 0.93 - 5.81 )	13.51	99
22+22+22+22+25	2.18	2.18	2.18	2.18	2.48	-	11.20 ( 3.50 - 13.20 )	3.14 ( 0.93 - 5.80 )	13.80	99
22+22+22+22+35	2.11	2.11	2.11	2.11	3.36	-	11.80 ( 3.50 - 13.20 )	3.35 ( 0.93 - 5.77 )	14.71	99
22+22+22+22+42	2.01	2.01	2.01	2.01	3.84	-	11.88 ( 3.50 - 13.20 )	3.49 ( 0.93 - 5.76 )	15.35	99
22+22+22+22+50	1.91	1.91	1.91	1.91	4.35	-	11.99 ( 3.50 - 13.30 )	3.56 ( 0.93 - 5.78 )	15.62	99
22+22+22+22+60	1.78	1.78	1.78	1.78	4.86	-	11.98 ( 3.50 - 13.30 )	3.59 ( 0.93 - 5.78 )	15.77	99
22+22+22+22+71	1.67	1.67	1.67	1.67	5.40	-	12.08 ( 3.50 - 13.30 )	3.62 ( 0.93 - 5.78 )	15.91	99
22+22+22+25+25	2.16	2.16	2.16	2.46	2.46	-	11.40 ( 3.50 - 13.20 )	3.20 ( 0.93 - 5.79 )	14.07	99
22+22+22+25+35	2.08	2.08	2.08	2.36	3.31	-	11.91 ( 3.50 - 13.20 )	3.41 ( 0.93 - 5.76 )	14.98	99
22+22+22+25+42	1.97	1.97	1.97	2.24	3.76	-	11.91 ( 3.50 - 13.20 )	3.54 ( 0.93 - 5.76 )	15.55	99
22+22+22+25+50	1.87	1.87	1.87	2.13	4.26	-	12.00 ( 3.50 - 13.30 )	3.57 ( 0.93 - 5.78 )	15.67	99
22+22+22+25+60	1.76	1.76	1.76	2.00	4.81	-	12.09 ( 3.50 - 13.30 )	3.60 ( 0.93 - 5.78 )	15.80	99
22+22+22+25+71	1.64	1.64	1.64	1.87	5.30	-	12.09 ( 3.50 - 13.30 )	3.64 ( 0.93 - 5.78 )	15.97	99
22+22+22+35+35	1.94	1.94	1.94	3.09	3.09	-	12.00 ( 3.50 - 13.30 )	3.55 ( 0.93 - 5.78 )	15.59	99
22+22+22+35+42	1.85	1.85	1.85	2.94	3.52	-	12.01 ( 3.50 - 13.30 )	3.57 ( 0.93 - 5.78 )	15.70	99
22+22+22+35+50	1.76	1.76	1.76	2.80	4.01	-	12.09 ( 3.50 - 13.30 )	3.60 ( 0.93 - 5.78 )	15.80	99
22+22+22+35+60	1.65	1.65	1.65	2.63	4.51	-	12.09 ( 3.50 - 13.30 )	3.63 ( 0.93 - 5.78 )	15.95	99
22+22+22+35+71	1.56	1.56	1.56	2.48	5.04	-	12.20 ( 3.50 - 13.40 )	3.66 ( 0.93 - 5.79 )	16.09	99
22+22+22+42+42	1.77	1.77	1.77	3.39	3.39	-	12.09 ( 3.50 - 13.30 )	3.60 ( 0.93 - 5.78 )	15.79	99
22+22+22+42+50	1.68	1.68	1.68	3.22	3.83	-	12.09 ( 3.50 - 13.30 )	3.62 ( 0.93 - 5.78 )	15.89	99
22+22+22+42+60	1.60	1.60	1.60	3.05	4.36	-	12.21 ( 3.50 - 13.40 )	3.66 ( 0.93 - 5.79 )	16.09	99
22+22+22+42+71	1.50	1.50	1.50	2.86	4.84	-	12.20 ( 3.50 - 13.40 )	3.66 ( 0.93 - 5.79 )	16.09	99
22+22+22+50+50	1.60	1.60	1.60	3.64	3.64	-	12.08 ( 3.50 - 13.30 )	3.65 ( 0.93 - 5.78 )	16.05	99
22+22+22+50+60	1.53	1.53	1.53	3.47	4.16	-	12.22 ( 3.50 - 13.40 )	3.66 ( 0.93 - 5.79 )	16.09	99
22+22+25+25+25	2.13	2.13	2.42	2.42	2.42	-	11.52 ( 3.50 - 13.20 )	3.27 ( 0.93 - 5.78 )	14.35	99
22+22+25+25+35	2.03	2.03	2.31	2.31	3.23	-	11.91 ( 3.50 - 13.20 )	3.47 ( 0.93 - 5.76 )	15.26	99
22+22+25+25+42	1.94	1.94	2.21	2.21	3.71	-	12.01 ( 3.50 - 13.30 )	3.55 ( 0.93 - 5.78 )	15.59	99
22+22+25+25+50	1.83	1.83	2.08	2.08	4.17	-	11.99 ( 3.50 - 13.30 )	3.58 ( 0.93 - 5.78 )	15.71	99
22+22+25+25+60	1.73	1.73	1.96	1.96	4.71	-	12.09 ( 3.50 - 13.30 )	3.61 ( 0.93 - 5.78 )	15.84	99
22+22+25+25+71	1.61	1.61	1.83	1.83	5.21	-	12.09 ( 3.50 - 13.30 )	3.65 ( 0.93 - 5.78 )	16.03	99
22+22+25+35+35	1.90	1.90	2.16	3.02	3.02	-	12.00 ( 3.50 - 13.30 )	3.56 ( 0.93 - 5.78 )	15.64	99
22+22+25+35+42	1.81	1.81	2.05	2.88	3.45	-	12.00 ( 3.50 - 13.30 )	3.58 ( 0.93 - 5.78 )	15.74	99
22+22+25+35+50	1.73	1.73	1.96	2.75	3.93	-	12.10 ( 3.50 - 13.30 )	3.61 ( 0.93 - 5.78 )	15.84	99
22+22+25+35+60	1.62	1.62	1.84	2.58	4.43	-	12.09 ( 3.50 - 13.30 )	3.65 ( 0.93 - 5.78 )	16.01	99

# MXZ-6D122VA COOLING

Indoor units combination	Cooling Capacity (kW)							Outdoor unit power consumption (kW)	Current (A)	Power factor (%)
	Unit A	Unit B	Unit C	Unit D	Unit E	Unit F	Total			
22+22+25+35+71	1.53	1.53	1.74	2.44	4.95	-	12.19 ( 3.50 - 13.40 )	3.66 ( 0.93 - 5.79 )	16.09	99
22+22+25+42+42	1.74	1.74	1.98	3.32	3.32	-	12.10 ( 3.50 - 13.30 )	3.60 ( 0.93 - 5.78 )	15.83	99
22+22+25+42+50	1.65	1.65	1.88	3.16	3.76	-	12.10 ( 3.50 - 13.30 )	3.63 ( 0.93 - 5.78 )	15.95	99
22+22+25+42+60	1.57	1.57	1.78	3.00	4.28	-	12.20 ( 3.50 - 13.40 )	3.66 ( 0.93 - 5.79 )	16.09	99
22+22+25+50+50	1.59	1.59	1.80	3.61	3.61	-	12.20 ( 3.50 - 13.40 )	3.66 ( 0.93 - 5.79 )	16.09	99
22+22+25+50+60	1.50	1.50	1.70	3.41	4.09	-	12.20 ( 3.50 - 13.40 )	3.66 ( 0.93 - 5.79 )	16.09	99
22+22+35+35+35	1.77	1.77	2.82	2.82	2.82	-	12.00 ( 3.50 - 13.30 )	3.59 ( 0.93 - 5.78 )	15.78	99
22+22+35+35+42	1.71	1.71	2.71	2.71	3.26	-	12.10 ( 3.50 - 13.30 )	3.61 ( 0.93 - 5.78 )	15.87	99
22+22+35+35+50	1.62	1.62	2.58	2.58	3.69	-	12.09 ( 3.50 - 13.30 )	3.65 ( 0.93 - 5.78 )	16.01	99
22+22+35+35+60	1.54	1.54	2.45	2.45	4.21	-	12.19 ( 3.50 - 13.40 )	3.66 ( 0.93 - 5.79 )	16.09	99
22+22+35+42+42	1.63	1.63	2.60	3.12	3.12	-	12.10 ( 3.50 - 13.30 )	3.64 ( 0.93 - 5.78 )	15.99	99
22+22+35+42+50	1.57	1.57	2.50	3.00	3.57	-	12.21 ( 3.50 - 13.40 )	3.66 ( 0.93 - 5.79 )	16.09	99
22+22+35+50+50	1.50	1.50	2.39	3.41	3.41	-	12.21 ( 3.50 - 13.40 )	3.66 ( 0.93 - 5.79 )	16.09	99
22+22+42+42+42	1.58	1.58	3.01	3.01	3.01	-	12.19 ( 3.50 - 13.40 )	3.66 ( 0.93 - 5.79 )	16.09	99
22+22+42+42+50	1.51	1.51	2.88	2.88	3.43	-	12.21 ( 3.50 - 13.40 )	3.66 ( 0.93 - 5.79 )	16.09	99
22+25+25+25+25	2.11	2.40	2.40	2.40	2.40	-	11.71 ( 3.50 - 13.20 )	3.33 ( 0.93 - 5.77 )	14.62	99
22+25+25+25+35	1.98	2.25	2.25	2.25	3.16	-	11.89 ( 3.50 - 13.20 )	3.54 ( 0.93 - 5.76 )	15.53	99
22+25+25+25+42	1.90	2.16	2.16	2.16	3.63	-	12.01 ( 3.50 - 13.30 )	3.56 ( 0.93 - 5.78 )	15.64	99
22+25+25+25+50	1.80	2.04	2.04	2.04	4.08	-	12.00 ( 3.50 - 13.30 )	3.59 ( 0.93 - 5.78 )	15.75	99
22+25+25+25+60	1.70	1.93	1.93	1.93	4.62	-	12.11 ( 3.50 - 13.30 )	3.62 ( 0.93 - 5.78 )	15.88	99
22+25+25+25+71	1.60	1.82	1.82	1.82	5.16	-	12.22 ( 3.50 - 13.40 )	3.66 ( 0.93 - 5.79 )	16.09	99
22+25+25+35+35	1.86	2.11	2.11	2.96	2.96	-	12.00 ( 3.50 - 13.30 )	3.57 ( 0.93 - 5.78 )	15.68	99
22+25+25+35+42	1.77	2.01	2.01	2.82	3.38	-	11.99 ( 3.50 - 13.30 )	3.59 ( 0.93 - 5.78 )	15.78	99
22+25+25+35+50	1.70	1.93	1.93	2.70	3.85	-	12.11 ( 3.50 - 13.30 )	3.62 ( 0.93 - 5.78 )	15.88	99
22+25+25+35+60	1.61	1.83	1.83	2.56	4.38	-	12.21 ( 3.50 - 13.40 )	3.66 ( 0.93 - 5.79 )	16.07	99
22+25+25+35+71	1.51	1.71	1.71	2.40	4.87	-	12.20 ( 3.50 - 13.40 )	3.66 ( 0.93 - 5.79 )	16.09	99
22+25+25+42+42	1.71	1.94	1.94	3.26	3.26	-	12.11 ( 3.50 - 13.30 )	3.61 ( 0.93 - 5.78 )	15.87	99
22+25+25+42+50	1.62	1.84	1.84	3.10	3.69	-	12.09 ( 3.50 - 13.30 )	3.65 ( 0.93 - 5.78 )	16.01	99
22+25+25+42+60	1.54	1.75	1.75	2.94	4.21	-	12.19 ( 3.50 - 13.40 )	3.66 ( 0.93 - 5.79 )	16.09	99
22+25+25+50+50	1.56	1.77	1.77	3.55	3.55	-	12.20 ( 3.50 - 13.40 )	3.66 ( 0.93 - 5.79 )	16.09	99
22+25+35+35+35	1.75	1.99	2.79	2.79	2.79	-	12.11 ( 3.50 - 13.30 )	3.60 ( 0.93 - 5.78 )	15.82	99
22+25+35+35+42	1.67	1.90	2.66	2.66	3.20	-	12.09 ( 3.50 - 13.30 )	3.62 ( 0.93 - 5.78 )	15.91	99
22+25+35+35+50	1.61	1.83	2.56	2.56	3.65	-	12.21 ( 3.50 - 13.40 )	3.66 ( 0.93 - 5.79 )	16.07	99
22+25+35+35+60	1.52	1.72	2.41	2.41	4.14	-	12.20 ( 3.50 - 13.40 )	3.66 ( 0.93 - 5.79 )	16.09	99
22+25+35+42+42	1.60	1.82	2.55	3.06	3.06	-	12.09 ( 3.50 - 13.30 )	3.65 ( 0.93 - 5.78 )	16.05	99
22+25+35+42+50	1.54	1.75	2.45	2.94	3.51	-	12.19 ( 3.50 - 13.40 )	3.66 ( 0.93 - 5.79 )	16.09	99

## MXZ-6D122VA COOLING

Indoor units combination	Cooling Capacity (kW)							Outdoor unit power consumption (kW)	Current (A)	Power factor (%)
	Unit A	Unit B	Unit C	Unit D	Unit E	Unit F	Total			
22+25+42+42+42	1.55	1.76	2.96	2.96	2.96	-	12.19 ( 3.50 - 13.40 )	3.66 ( 0.93 - 5.79 )	16.09	99
22+35+35+35+35	1.64	2.61	2.61	2.61	2.61	-	12.08 ( 3.50 - 13.30 )	3.64 ( 0.93 - 5.78 )	15.97	99
22+35+35+35+42	1.59	2.53	2.53	2.53	3.03	-	12.21 ( 3.50 - 13.40 )	3.66 ( 0.93 - 5.79 )	16.09	99
22+35+35+35+50	1.52	2.41	2.41	2.41	3.45	-	12.20 ( 3.50 - 13.40 )	3.66 ( 0.93 - 5.79 )	16.09	99
22+35+35+42+42	1.53	2.43	2.43	2.91	2.91	-	12.21 ( 3.50 - 13.40 )	3.66 ( 0.93 - 5.79 )	16.09	99
25+25+25+25+25	2.38	2.38	2.38	2.38	2.38	-	11.90 ( 3.50 - 13.20 )	3.39 ( 0.93 - 5.76 )	14.89	99
25+25+25+25+35	2.22	2.22	2.22	2.22	3.11	-	11.99 ( 3.50 - 13.30 )	3.55 ( 0.93 - 5.78 )	15.58	99
25+25+25+25+42	2.11	2.11	2.11	2.11	3.55	-	11.99 ( 3.50 - 13.30 )	3.57 ( 0.93 - 5.78 )	15.68	99
25+25+25+25+50	2.02	2.02	2.02	2.02	4.03	-	12.11 ( 3.50 - 13.30 )	3.60 ( 0.93 - 5.78 )	15.79	99
25+25+25+25+60	1.89	1.89	1.89	1.89	4.54	-	12.10 ( 3.50 - 13.30 )	3.63 ( 0.93 - 5.78 )	15.93	99
25+25+25+25+71	1.78	1.78	1.78	1.78	5.07	-	12.19 ( 3.50 - 13.40 )	3.66 ( 0.93 - 5.79 )	16.09	99
25+25+25+35+35	2.07	2.07	2.07	2.90	2.90	-	12.01 ( 3.50 - 13.30 )	3.58 ( 0.93 - 5.78 )	15.73	99
25+25+25+35+42	1.99	1.99	1.99	2.79	3.34	-	12.10 ( 3.50 - 13.30 )	3.60 ( 0.93 - 5.78 )	15.82	99
25+25+25+35+50	1.89	1.89	1.89	2.65	3.78	-	12.10 ( 3.50 - 13.30 )	3.63 ( 0.93 - 5.78 )	15.93	99
25+25+25+35+60	1.79	1.79	1.79	2.51	4.31	-	12.19 ( 3.50 - 13.40 )	3.66 ( 0.93 - 5.79 )	16.09	99
25+25+25+42+42	1.90	1.90	1.90	3.20	3.20	-	12.10 ( 3.50 - 13.30 )	3.62 ( 0.93 - 5.78 )	15.91	99
25+25+25+42+50	1.83	1.83	1.83	3.07	3.65	-	12.21 ( 3.50 - 13.40 )	3.66 ( 0.93 - 5.79 )	16.07	99
25+25+25+42+60	1.72	1.72	1.72	2.89	4.14	-	12.19 ( 3.50 - 13.40 )	3.66 ( 0.93 - 5.79 )	16.09	99
25+25+25+50+50	1.74	1.74	1.74	3.49	3.49	-	12.20 ( 3.50 - 13.40 )	3.66 ( 0.93 - 5.79 )	16.09	99
25+25+35+35+35	1.95	1.95	2.73	2.73	2.73	-	12.09 ( 3.50 - 13.30 )	3.61 ( 0.93 - 5.78 )	15.85	99
25+25+35+35+42	1.87	1.87	2.61	2.61	3.14	-	12.10 ( 3.50 - 13.30 )	3.64 ( 0.93 - 5.78 )	15.97	99
25+25+35+35+50	1.79	1.79	2.51	2.51	3.59	-	12.19 ( 3.50 - 13.40 )	3.66 ( 0.93 - 5.79 )	16.09	99
25+25+35+35+60	1.69	1.69	2.37	2.37	4.07	-	12.19 ( 3.50 - 13.40 )	3.66 ( 0.93 - 5.79 )	16.09	99
25+25+35+42+42	1.80	1.80	2.53	3.03	3.03	-	12.19 ( 3.50 - 13.40 )	3.66 ( 0.93 - 5.79 )	16.09	99
25+25+35+42+50	1.72	1.72	2.41	2.89	3.45	-	12.19 ( 3.50 - 13.40 )	3.66 ( 0.93 - 5.79 )	16.09	99
25+25+42+42+42	1.73	1.73	2.91	2.91	2.91	-	12.19 ( 3.50 - 13.40 )	3.66 ( 0.93 - 5.79 )	16.09	99
25+35+35+35+35	1.83	2.57	2.57	2.57	2.57	-	12.11 ( 3.50 - 13.30 )	3.65 ( 0.93 - 5.78 )	16.03	99
25+35+35+35+42	1.77	2.48	2.48	2.48	2.98	-	12.19 ( 3.50 - 13.40 )	3.66 ( 0.93 - 5.79 )	16.09	99
25+35+35+35+50	1.69	2.37	2.37	2.37	3.39	-	12.19 ( 3.50 - 13.40 )	3.66 ( 0.93 - 5.79 )	16.09	99
25+35+35+42+42	1.70	2.39	2.39	2.86	2.86	-	12.20 ( 3.50 - 13.40 )	3.66 ( 0.93 - 5.79 )	16.09	99
35+35+35+35+35	2.44	2.44	2.44	2.44	2.44	-	12.20 ( 3.50 - 13.40 )	3.66 ( 0.93 - 5.79 )	16.09	99
15+15+15+15+15+15	1.50	1.50	1.50	1.50	1.50	1.50	9.00 ( 3.50 - 12.40 )	2.18 ( 0.96 - 5.61 )	9.58	99
15+15+15+15+15+18	1.50	1.50	1.50	1.50	1.50	1.80	9.30 ( 3.50 - 12.50 )	2.32 ( 0.96 - 5.63 )	10.18	99
15+15+15+15+15+20	1.48	1.48	1.48	1.48	1.48	1.98	9.38 ( 3.50 - 12.40 )	2.41 ( 0.96 - 5.61 )	10.58	99
15+15+15+15+15+22	1.48	1.48	1.48	1.48	1.48	2.18	9.58 ( 3.50 - 12.50 )	2.50 ( 0.96 - 5.63 )	10.98	99
15+15+15+15+15+25	1.47	1.47	1.47	1.47	1.47	2.45	9.80 ( 3.50 - 12.50 )	2.64 ( 0.96 - 5.63 )	11.58	99



# MXZ-6D122VA COOLING

Indoor units combination	Cooling Capacity (kW)							Outdoor unit power consumption (kW)	Current (A)	Power factor (%)
	Unit A	Unit B	Unit C	Unit D	Unit E	Unit F	Total			
15+15+15+15+15+35	1.45	1.45	1.45	1.45	1.45	3.37	10.62 ( 3.50 - 12.50 )	3.09 ( 0.96 - 5.63 )	13.58	99
15+15+15+15+15+42	1.44	1.44	1.44	1.44	1.44	4.02	11.22 ( 3.50 - 12.60 )	3.42 ( 0.96 - 5.65 )	15.00	99
15+15+15+15+15+50	1.40	1.40	1.40	1.40	1.40	4.68	11.68 ( 3.50 - 13.10 )	3.57 ( 0.95 - 5.49 )	15.69	99
15+15+15+15+15+60	1.34	1.34	1.34	1.34	1.34	5.38	12.08 ( 3.50 - 13.50 )	3.63 ( 0.92 - 5.36 )	15.94	99
15+15+15+15+15+71	1.25	1.25	1.25	1.25	1.25	5.93	12.18 ( 3.50 - 13.50 )	3.61 ( 0.92 - 5.33 )	15.86	99
15+15+15+15+18+18	1.48	1.48	1.48	1.48	1.78	1.78	9.48 ( 3.50 - 12.50 )	2.45 ( 0.96 - 5.63 )	10.78	99
15+15+15+15+18+20	1.48	1.48	1.48	1.48	1.78	1.97	9.67 ( 3.50 - 12.50 )	2.55 ( 0.96 - 5.63 )	11.18	99
15+15+15+15+18+22	1.47	1.47	1.47	1.47	1.76	2.16	9.80 ( 3.50 - 12.50 )	2.64 ( 0.96 - 5.63 )	11.58	99
15+15+15+15+18+25	1.47	1.47	1.47	1.47	1.77	2.45	10.10 ( 3.50 - 12.50 )	2.77 ( 0.96 - 5.63 )	12.18	99
15+15+15+15+18+35	1.44	1.44	1.44	1.44	1.73	3.36	10.85 ( 3.50 - 13.10 )	3.23 ( 0.95 - 5.49 )	14.19	99
15+15+15+15+18+42	1.43	1.43	1.43	1.43	1.71	3.99	11.42 ( 3.50 - 12.80 )	3.52 ( 0.96 - 5.59 )	15.46	99
15+15+15+15+18+50	1.38	1.38	1.38	1.38	1.66	4.61	11.79 ( 3.50 - 13.40 )	3.60 ( 0.93 - 5.40 )	15.83	99
15+15+15+15+18+60	1.33	1.33	1.33	1.33	1.59	5.30	12.21 ( 3.50 - 13.50 )	3.62 ( 0.92 - 5.35 )	15.92	99
15+15+15+15+18+71	1.23	1.23	1.23	1.23	1.47	5.81	12.20 ( 3.50 - 13.50 )	3.61 ( 0.92 - 5.32 )	15.84	99
15+15+15+15+20+20	1.47	1.47	1.47	1.47	1.96	1.96	9.80 ( 3.50 - 12.50 )	2.64 ( 0.96 - 5.63 )	11.58	99
15+15+15+15+20+22	1.47	1.47	1.47	1.47	1.96	2.16	10.00 ( 3.50 - 12.50 )	2.73 ( 0.96 - 5.63 )	11.98	99
15+15+15+15+20+25	1.46	1.46	1.46	1.46	1.94	2.43	10.21 ( 3.50 - 12.50 )	2.86 ( 0.96 - 5.63 )	12.58	99
15+15+15+15+20+35	1.43	1.43	1.43	1.43	1.91	3.35	10.98 ( 3.50 - 12.60 )	3.32 ( 0.96 - 5.65 )	14.60	99
15+15+15+15+20+42	1.41	1.41	1.41	1.41	1.89	3.96	11.49 ( 3.50 - 12.90 )	3.54 ( 0.95 - 5.56 )	15.55	99
15+15+15+15+20+50	1.37	1.37	1.37	1.37	1.83	4.58	11.89 ( 3.50 - 13.50 )	3.63 ( 0.92 - 5.37 )	15.92	99
15+15+15+15+20+60	1.31	1.31	1.31	1.31	1.74	5.23	12.21 ( 3.50 - 13.50 )	3.62 ( 0.92 - 5.35 )	15.91	99
15+15+15+15+20+71	1.21	1.21	1.21	1.21	1.62	5.74	12.20 ( 3.50 - 13.50 )	3.60 ( 0.92 - 5.32 )	15.83	99
15+15+15+15+22+22	1.46	1.46	1.46	1.46	2.14	2.14	10.12 ( 3.50 - 12.50 )	2.82 ( 0.96 - 5.63 )	12.38	99
15+15+15+15+22+25	1.46	1.46	1.46	1.46	2.14	2.43	10.41 ( 3.50 - 12.50 )	2.95 ( 0.96 - 5.63 )	12.98	99
15+15+15+15+22+35	1.44	1.44	1.44	1.44	2.11	3.35	11.22 ( 3.50 - 12.60 )	3.42 ( 0.96 - 5.65 )	15.00	99
15+15+15+15+22+42	1.40	1.40	1.40	1.40	2.06	3.93	11.59 ( 3.50 - 13.10 )	3.56 ( 0.95 - 5.49 )	15.64	99
15+15+15+15+22+50	1.36	1.36	1.36	1.36	2.00	4.55	11.99 ( 3.50 - 13.50 )	3.63 ( 0.92 - 5.37 )	15.96	99
15+15+15+15+22+60	1.29	1.29	1.29	1.29	1.89	5.15	12.20 ( 3.50 - 13.50 )	3.62 ( 0.92 - 5.34 )	15.89	99
15+15+15+15+22+71	1.20	1.20	1.20	1.20	1.75	5.66	12.21 ( 3.50 - 13.50 )	3.60 ( 0.92 - 5.32 )	15.83	99
15+15+15+15+25+25	1.45	1.45	1.45	1.45	2.41	2.41	10.62 ( 3.50 - 12.50 )	3.09 ( 0.96 - 5.63 )	13.58	99
15+15+15+15+25+35	1.43	1.43	1.43	1.43	2.38	3.33	11.43 ( 3.50 - 12.80 )	3.52 ( 0.96 - 5.59 )	15.46	99
15+15+15+15+25+42	1.39	1.39	1.39	1.39	2.32	3.90	11.78 ( 3.50 - 13.20 )	3.59 ( 0.93 - 5.46 )	15.78	99
15+15+15+15+25+50	1.34	1.34	1.34	1.34	2.24	4.48	12.08 ( 3.50 - 13.50 )	3.63 ( 0.92 - 5.36 )	15.94	99
15+15+15+15+25+60	1.26	1.26	1.26	1.26	2.10	5.05	12.19 ( 3.50 - 13.50 )	3.61 ( 0.92 - 5.33 )	15.87	99
15+15+15+15+25+71	1.17	1.17	1.17	1.17	1.96	5.55	12.19 ( 3.50 - 13.50 )	3.60 ( 0.92 - 5.32 )	15.82	99
15+15+15+15+35+35	1.37	1.37	1.37	1.37	3.20	3.20	11.88 ( 3.50 - 13.50 )	3.63 ( 0.92 - 5.37 )	15.92	99

# MXZ-6D122VA COOLING

Indoor units combination	Cooling Capacity (kW)							Outdoor unit power consumption (kW)	Current (A)	Power factor (%)
	Unit A	Unit B	Unit C	Unit D	Unit E	Unit F	Total			
15+15+15+15+35+42	1.32	1.32	1.32	1.32	3.09	3.71	12.08 ( 3.50 - 13.50 )	3.63 ( 0.92 - 5.35 )	15.93	99
15+15+15+15+35+50	1.26	1.26	1.26	1.26	2.94	4.21	12.19 ( 3.50 - 13.50 )	3.61 ( 0.92 - 5.33 )	15.87	99
15+15+15+15+35+60	1.18	1.18	1.18	1.18	2.75	4.72	12.19 ( 3.50 - 13.50 )	3.60 ( 0.92 - 5.32 )	15.82	99
15+15+15+15+35+71	1.10	1.10	1.10	1.10	2.57	5.22	12.19 ( 3.50 - 13.50 )	3.60 ( 0.92 - 5.32 )	15.80	99
15+15+15+15+42+42	1.27	1.27	1.27	1.27	3.56	3.56	12.20 ( 3.50 - 13.50 )	3.62 ( 0.92 - 5.33 )	15.88	99
15+15+15+15+42+50	1.20	1.20	1.20	1.20	3.37	4.01	12.18 ( 3.50 - 13.50 )	3.60 ( 0.92 - 5.32 )	15.83	99
15+15+15+15+42+60	1.13	1.13	1.13	1.13	3.16	4.52	12.20 ( 3.50 - 13.50 )	3.60 ( 0.92 - 5.32 )	15.81	99
15+15+15+15+42+71	1.06	1.06	1.06	1.06	2.96	5.01	12.21 ( 3.50 - 13.50 )	3.59 ( 0.92 - 5.32 )	15.79	99
15+15+15+15+50+50	1.14	1.14	1.14	1.14	3.81	3.81	12.18 ( 3.50 - 13.50 )	3.60 ( 0.92 - 5.32 )	15.81	99
15+15+15+15+50+60	1.08	1.08	1.08	1.08	3.59	4.31	12.22 ( 3.50 - 13.50 )	3.60 ( 0.92 - 5.32 )	15.79	99
15+15+15+15+60+60	1.02	1.02	1.02	1.02	4.07	4.07	12.22 ( 3.50 - 13.50 )	3.59 ( 0.92 - 5.32 )	15.77	99
15+15+15+18+18+18	1.47	1.47	1.47	1.77	1.77	1.77	9.72 ( 3.50 - 12.60 )	2.59 ( 0.96 - 5.65 )	11.38	99
15+15+15+18+18+20	1.47	1.47	1.47	1.76	1.76	1.96	9.89 ( 3.50 - 12.50 )	2.68 ( 0.96 - 5.63 )	11.78	99
15+15+15+18+18+22	1.46	1.46	1.46	1.76	1.76	2.15	10.05 ( 3.50 - 12.60 )	2.77 ( 0.96 - 5.65 )	12.18	99
15+15+15+18+18+25	1.46	1.46	1.46	1.75	1.75	2.43	10.31 ( 3.50 - 12.60 )	2.91 ( 0.96 - 5.65 )	12.78	99
15+15+15+18+18+35	1.44	1.44	1.44	1.72	1.72	3.35	11.11 ( 3.50 - 12.60 )	3.37 ( 0.96 - 5.65 )	14.80	99
15+15+15+18+18+42	1.41	1.41	1.41	1.70	1.70	3.96	11.59 ( 3.50 - 12.90 )	3.55 ( 0.95 - 5.56 )	15.60	99
15+15+15+18+18+50	1.37	1.37	1.37	1.65	1.65	4.58	11.99 ( 3.50 - 13.50 )	3.64 ( 0.92 - 5.37 )	15.97	99
15+15+15+18+18+60	1.30	1.30	1.30	1.56	1.56	5.19	12.21 ( 3.50 - 13.50 )	3.62 ( 0.92 - 5.34 )	15.90	99
15+15+15+18+18+71	1.20	1.20	1.20	1.44	1.44	5.70	12.18 ( 3.50 - 13.50 )	3.60 ( 0.92 - 5.32 )	15.83	99
15+15+15+18+20+20	1.47	1.47	1.47	1.77	1.96	1.96	10.10 ( 3.50 - 12.50 )	2.77 ( 0.96 - 5.63 )	12.18	99
15+15+15+18+20+22	1.46	1.46	1.46	1.75	1.94	2.14	10.21 ( 3.50 - 12.50 )	2.86 ( 0.96 - 5.63 )	12.58	99
15+15+15+18+20+25	1.45	1.45	1.45	1.74	1.94	2.42	10.45 ( 3.50 - 13.50 )	3.00 ( 0.92 - 5.37 )	13.18	99
15+15+15+18+20+35	1.42	1.42	1.42	1.71	1.90	3.32	11.19 ( 3.50 - 12.60 )	3.46 ( 0.96 - 5.65 )	15.21	99
15+15+15+18+20+42	1.40	1.40	1.40	1.68	1.87	3.93	11.68 ( 3.50 - 13.10 )	3.57 ( 0.95 - 5.49 )	15.69	99
15+15+15+18+20+50	1.35	1.35	1.35	1.62	1.80	4.51	11.98 ( 3.50 - 13.50 )	3.63 ( 0.92 - 5.36 )	15.95	99
15+15+15+18+20+60	1.28	1.28	1.28	1.54	1.71	5.12	12.21 ( 3.50 - 13.50 )	3.62 ( 0.92 - 5.34 )	15.89	99
15+15+15+18+20+71	1.19	1.19	1.19	1.43	1.58	5.62	12.20 ( 3.50 - 13.50 )	3.60 ( 0.92 - 5.32 )	15.83	99
15+15+15+18+22+22	1.46	1.46	1.46	1.75	2.14	2.14	10.41 ( 3.50 - 12.50 )	2.95 ( 0.96 - 5.63 )	12.98	99
15+15+15+18+22+25	1.45	1.45	1.45	1.73	2.12	2.41	10.61 ( 3.50 - 12.50 )	3.09 ( 0.96 - 5.63 )	13.58	99
15+15+15+18+22+35	1.43	1.43	1.43	1.71	2.09	3.33	11.42 ( 3.50 - 12.80 )	3.52 ( 0.96 - 5.59 )	15.46	99
15+15+15+18+22+42	1.39	1.39	1.39	1.67	2.04	3.90	11.78 ( 3.50 - 13.20 )	3.59 ( 0.93 - 5.46 )	15.78	99
15+15+15+18+22+50	1.34	1.34	1.34	1.61	1.97	4.48	12.08 ( 3.50 - 13.50 )	3.63 ( 0.92 - 5.36 )	15.94	99
15+15+15+18+22+60	1.26	1.26	1.26	1.51	1.85	5.05	12.19 ( 3.50 - 13.50 )	3.61 ( 0.92 - 5.33 )	15.87	99
15+15+15+18+22+71	1.17	1.17	1.17	1.41	1.72	5.55	12.19 ( 3.50 - 13.50 )	3.60 ( 0.92 - 5.32 )	15.82	99
15+15+15+18+25+25	1.44	1.44	1.44	1.73	2.40	2.40	10.85 ( 3.50 - 13.10 )	3.23 ( 0.95 - 5.49 )	14.19	99

# MXZ-6D122VA COOLING

Indoor units combination	Cooling Capacity (kW)							Outdoor unit power consumption (kW)	Current (A)	Power factor (%)
	Unit A	Unit B	Unit C	Unit D	Unit E	Unit F	Total			
15+15+15+18+25+35	1.41	1.41	1.41	1.70	2.36	3.30	11.59 ( 3.50 - 12.90 )	3.55 ( 0.95 - 5.56 )	15.60	99
15+15+15+18+25+42	1.37	1.37	1.37	1.65	2.29	3.84	11.89 ( 3.50 - 13.50 )	3.63 ( 0.92 - 5.37 )	15.92	99
15+15+15+18+25+50	1.33	1.33	1.33	1.59	2.21	4.42	12.21 ( 3.50 - 13.50 )	3.62 ( 0.92 - 5.35 )	15.92	99
15+15+15+18+25+60	1.24	1.24	1.24	1.48	2.06	4.95	12.21 ( 3.50 - 13.50 )	3.61 ( 0.92 - 5.32 )	15.85	99
15+15+15+18+25+71	1.15	1.15	1.15	1.38	1.92	5.45	12.20 ( 3.50 - 13.50 )	3.60 ( 0.92 - 5.32 )	15.81	99
15+15+15+18+35+35	1.35	1.35	1.35	1.62	3.16	3.16	11.99 ( 3.50 - 13.50 )	3.63 ( 0.92 - 5.36 )	15.95	99
15+15+15+18+35+42	1.31	1.31	1.31	1.57	3.05	3.66	12.21 ( 3.50 - 13.50 )	3.62 ( 0.92 - 5.35 )	15.91	99
15+15+15+18+35+50	1.24	1.24	1.24	1.48	2.89	4.12	12.21 ( 3.50 - 13.50 )	3.61 ( 0.92 - 5.32 )	15.85	99
15+15+15+18+35+60	1.16	1.16	1.16	1.39	2.70	4.63	12.20 ( 3.50 - 13.50 )	3.60 ( 0.92 - 5.32 )	15.82	99
15+15+15+18+35+71	1.08	1.08	1.08	1.30	2.53	5.13	12.20 ( 3.50 - 13.50 )	3.60 ( 0.92 - 5.32 )	15.79	99
15+15+15+18+42+42	1.24	1.24	1.24	1.49	3.49	3.49	12.19 ( 3.50 - 13.50 )	3.61 ( 0.92 - 5.33 )	15.85	99
15+15+15+18+42+50	1.18	1.18	1.18	1.42	3.31	3.94	12.21 ( 3.50 - 13.50 )	3.60 ( 0.92 - 5.32 )	15.82	99
15+15+15+18+42+60	1.11	1.11	1.11	1.33	3.11	4.44	12.21 ( 3.50 - 13.50 )	3.60 ( 0.92 - 5.32 )	15.80	99
15+15+15+18+42+71	1.04	1.04	1.04	1.25	2.91	4.92	12.20 ( 3.50 - 13.50 )	3.59 ( 0.92 - 5.32 )	15.78	99
15+15+15+18+50+50	1.12	1.12	1.12	1.35	3.74	3.74	12.19 ( 3.50 - 13.50 )	3.60 ( 0.92 - 5.32 )	15.81	99
15+15+15+18+50+60	1.06	1.06	1.06	1.27	3.53	4.23	12.21 ( 3.50 - 13.50 )	3.59 ( 0.92 - 5.32 )	15.79	99
15+15+15+20+20+20	1.46	1.46	1.46	1.94	1.94	1.94	10.20 ( 3.50 - 12.50 )	2.86 ( 0.96 - 5.63 )	12.58	99
15+15+15+20+20+22	1.46	1.46	1.46	1.94	1.94	2.14	10.40 ( 3.50 - 12.50 )	2.95 ( 0.96 - 5.63 )	12.98	99
15+15+15+20+20+25	1.45	1.45	1.45	1.93	1.93	2.41	10.62 ( 3.50 - 12.50 )	3.09 ( 0.96 - 5.63 )	13.58	99
15+15+15+20+20+35	1.43	1.43	1.43	1.90	1.90	3.33	11.42 ( 3.50 - 12.80 )	3.52 ( 0.96 - 5.59 )	15.46	99
15+15+15+20+20+42	1.39	1.39	1.39	1.86	1.86	3.90	11.79 ( 3.50 - 13.20 )	3.59 ( 0.93 - 5.46 )	15.78	99
15+15+15+20+20+50	1.34	1.34	1.34	1.79	1.79	4.48	12.08 ( 3.50 - 13.50 )	3.63 ( 0.92 - 5.36 )	15.94	99
15+15+15+20+20+60	1.26	1.26	1.26	1.68	1.68	5.05	12.19 ( 3.50 - 13.50 )	3.61 ( 0.92 - 5.33 )	15.87	99
15+15+15+20+20+71	1.17	1.17	1.17	1.56	1.56	5.55	12.18 ( 3.50 - 13.50 )	3.60 ( 0.92 - 5.32 )	15.82	99
15+15+15+20+22+22	1.44	1.44	1.44	1.93	2.12	2.12	10.49 ( 3.50 - 12.50 )	3.05 ( 0.96 - 5.63 )	13.37	99
15+15+15+20+22+25	1.45	1.45	1.45	1.93	2.12	2.41	10.81 ( 3.50 - 13.50 )	3.18 ( 0.92 - 5.37 )	13.99	99
15+15+15+20+22+35	1.41	1.41	1.41	1.89	2.07	3.30	11.49 ( 3.50 - 12.90 )	3.54 ( 0.95 - 5.56 )	15.55	99
15+15+15+20+22+42	1.38	1.38	1.38	1.84	2.03	3.87	11.88 ( 3.50 - 13.40 )	3.62 ( 0.93 - 5.40 )	15.88	99
15+15+15+20+22+50	1.32	1.32	1.32	1.77	1.94	4.42	12.09 ( 3.50 - 13.50 )	3.63 ( 0.92 - 5.35 )	15.93	99
15+15+15+20+22+60	1.24	1.24	1.24	1.66	1.83	4.98	12.19 ( 3.50 - 13.50 )	3.61 ( 0.92 - 5.33 )	15.85	99
15+15+15+20+22+71	1.16	1.16	1.16	1.54	1.70	5.48	12.20 ( 3.50 - 13.50 )	3.60 ( 0.92 - 5.32 )	15.82	99
15+15+15+20+25+25	1.43	1.43	1.43	1.91	2.39	2.39	10.98 ( 3.50 - 12.60 )	3.32 ( 0.96 - 5.65 )	14.60	99
15+15+15+20+25+35	1.40	1.40	1.40	1.87	2.34	3.28	11.69 ( 3.50 - 13.10 )	3.57 ( 0.95 - 5.49 )	15.69	99
15+15+15+20+25+42	1.36	1.36	1.36	1.82	2.27	3.82	11.99 ( 3.50 - 13.50 )	3.63 ( 0.92 - 5.37 )	15.96	99
15+15+15+20+25+50	1.31	1.31	1.31	1.74	2.18	4.36	12.21 ( 3.50 - 13.50 )	3.62 ( 0.92 - 5.35 )	15.91	99
15+15+15+20+25+60	1.22	1.22	1.22	1.63	2.03	4.88	12.20 ( 3.50 - 13.50 )	3.61 ( 0.92 - 5.32 )	15.83	99

# MXZ-6D122VA COOLING

Indoor units combination	Cooling Capacity (kW)							Outdoor unit power consumption (kW)	Current (A)	Power factor (%)
	Unit A	Unit B	Unit C	Unit D	Unit E	Unit F	Total			
15+15+15+20+25+71	1.14	1.14	1.14	1.52	1.89	5.38	12.21 ( 3.50 - 13.50 )	3.60 ( 0.92 - 5.32 )	15.81	99
15+15+15+20+35+35	1.34	1.34	1.34	1.79	3.14	3.14	12.09 ( 3.50 - 13.50 )	3.63 ( 0.92 - 5.36 )	15.94	99
15+15+15+20+35+42	1.29	1.29	1.29	1.72	3.01	3.61	12.21 ( 3.50 - 13.50 )	3.62 ( 0.92 - 5.34 )	15.89	99
15+15+15+20+35+50	1.22	1.22	1.22	1.63	2.85	4.07	12.21 ( 3.50 - 13.50 )	3.61 ( 0.92 - 5.32 )	15.83	99
15+15+15+20+35+60	1.14	1.14	1.14	1.53	2.67	4.58	12.20 ( 3.50 - 13.50 )	3.60 ( 0.92 - 5.32 )	15.81	99
15+15+15+20+35+71	1.07	1.07	1.07	1.43	2.50	5.07	12.21 ( 3.50 - 13.50 )	3.60 ( 0.92 - 5.32 )	15.79	99
15+15+15+20+42+42	1.23	1.23	1.23	1.64	3.44	3.44	12.21 ( 3.50 - 13.50 )	3.61 ( 0.92 - 5.32 )	15.84	99
15+15+15+20+42+50	1.17	1.17	1.17	1.55	3.26	3.89	12.21 ( 3.50 - 13.50 )	3.60 ( 0.92 - 5.32 )	15.82	99
15+15+15+20+42+60	1.10	1.10	1.10	1.46	3.07	4.38	12.21 ( 3.50 - 13.50 )	3.60 ( 0.92 - 5.32 )	15.80	99
15+15+15+20+42+71	1.03	1.03	1.03	1.37	2.88	4.87	12.21 ( 3.50 - 13.50 )	3.59 ( 0.92 - 5.32 )	15.77	99
15+15+15+20+50+50	1.11	1.11	1.11	1.48	3.70	3.70	12.21 ( 3.50 - 13.50 )	3.60 ( 0.92 - 5.32 )	15.80	99
15+15+15+20+50+60	1.05	1.05	1.05	1.39	3.49	4.18	12.21 ( 3.50 - 13.50 )	3.59 ( 0.92 - 5.32 )	15.78	99
15+15+15+22+22+22	1.45	1.45	1.45	2.12	2.12	2.12	10.71 ( 3.50 - 12.60 )	3.14 ( 0.96 - 5.65 )	13.78	99
15+15+15+22+22+25	1.43	1.43	1.43	2.10	2.10	2.39	10.88 ( 3.50 - 12.60 )	3.28 ( 0.96 - 5.65 )	14.39	99
15+15+15+22+22+35	1.40	1.40	1.40	2.06	2.06	3.27	11.59 ( 3.50 - 13.10 )	3.56 ( 0.95 - 5.49 )	15.64	99
15+15+15+22+22+42	1.37	1.37	1.37	2.02	2.02	3.85	12.00 ( 3.50 - 13.50 )	3.64 ( 0.92 - 5.37 )	15.97	99
15+15+15+22+22+50	1.32	1.32	1.32	1.93	1.93	4.39	12.21 ( 3.50 - 13.50 )	3.62 ( 0.92 - 5.35 )	15.91	99
15+15+15+22+22+60	1.23	1.23	1.23	1.80	1.80	4.91	12.20 ( 3.50 - 13.50 )	3.61 ( 0.92 - 5.32 )	15.84	99
15+15+15+22+22+71	1.14	1.14	1.14	1.68	1.68	5.41	12.19 ( 3.50 - 13.50 )	3.60 ( 0.92 - 5.32 )	15.81	99
15+15+15+22+25+25	1.44	1.44	1.44	2.11	2.39	2.39	11.21 ( 3.50 - 12.60 )	3.42 ( 0.96 - 5.65 )	15.00	99
15+15+15+22+25+35	1.39	1.39	1.39	2.04	2.32	3.25	11.78 ( 3.50 - 13.20 )	3.59 ( 0.93 - 5.46 )	15.78	99
15+15+15+22+25+42	1.35	1.35	1.35	1.99	2.26	3.79	12.09 ( 3.50 - 13.50 )	3.63 ( 0.92 - 5.36 )	15.95	99
15+15+15+22+25+50	1.29	1.29	1.29	1.89	2.15	4.30	12.21 ( 3.50 - 13.50 )	3.62 ( 0.92 - 5.34 )	15.89	99
15+15+15+22+25+60	1.20	1.20	1.20	1.77	2.01	4.82	12.20 ( 3.50 - 13.50 )	3.60 ( 0.92 - 5.32 )	15.83	99
15+15+15+22+25+71	1.12	1.12	1.12	1.65	1.87	5.31	12.19 ( 3.50 - 13.50 )	3.60 ( 0.92 - 5.32 )	15.81	99
15+15+15+22+35+35	1.32	1.32	1.32	1.94	3.09	3.09	12.08 ( 3.50 - 13.50 )	3.63 ( 0.92 - 5.35 )	15.93	99
15+15+15+22+35+42	1.27	1.27	1.27	1.86	2.97	3.56	12.20 ( 3.50 - 13.50 )	3.62 ( 0.92 - 5.33 )	15.88	99
15+15+15+22+35+50	1.20	1.20	1.20	1.77	2.81	4.01	12.19 ( 3.50 - 13.50 )	3.60 ( 0.92 - 5.32 )	15.83	99
15+15+15+22+35+60	1.13	1.13	1.13	1.66	2.64	4.52	12.21 ( 3.50 - 13.50 )	3.60 ( 0.92 - 5.32 )	15.81	99
15+15+15+22+35+71	1.06	1.06	1.06	1.55	2.47	5.01	12.21 ( 3.50 - 13.50 )	3.59 ( 0.92 - 5.32 )	15.79	99
15+15+15+22+42+42	1.21	1.21	1.21	1.78	3.39	3.39	12.19 ( 3.50 - 13.50 )	3.60 ( 0.92 - 5.32 )	15.83	99
15+15+15+22+42+50	1.15	1.15	1.15	1.69	3.22	3.84	12.20 ( 3.50 - 13.50 )	3.60 ( 0.92 - 5.32 )	15.81	99
15+15+15+22+42+60	1.08	1.08	1.08	1.59	3.03	4.33	12.19 ( 3.50 - 13.50 )	3.60 ( 0.92 - 5.32 )	15.79	99
15+15+15+22+42+71	1.02	1.02	1.02	1.49	2.85	4.81	12.21 ( 3.50 - 13.50 )	3.59 ( 0.92 - 5.32 )	15.77	99
15+15+15+22+50+50	1.10	1.10	1.10	1.61	3.65	3.65	12.21 ( 3.50 - 13.50 )	3.60 ( 0.92 - 5.32 )	15.80	99
15+15+15+22+50+60	1.03	1.03	1.03	1.52	3.45	4.14	12.20 ( 3.50 - 13.50 )	3.59 ( 0.92 - 5.32 )	15.78	99

# MXZ-6D122VA COOLING

Indoor units combination	Cooling Capacity (kW)							Outdoor unit power consumption (kW)	Current (A)	Power factor (%)
	Unit A	Unit B	Unit C	Unit D	Unit E	Unit F	Total			
15+15+15+25+25+25	1.43	1.43	1.43	2.38	2.38	2.38	11.43 ( 3.50 - 12.80 )	3.52 ( 0.96 - 5.59 )	15.46	99
15+15+15+25+25+35	1.37	1.37	1.37	2.29	2.29	3.20	11.89 ( 3.50 - 13.50 )	3.63 ( 0.92 - 5.37 )	15.92	99
15+15+15+25+25+42	1.32	1.32	1.32	2.21	2.21	3.71	12.09 ( 3.50 - 13.50 )	3.63 ( 0.92 - 5.35 )	15.93	99
15+15+15+25+25+50	1.26	1.26	1.26	2.10	2.10	4.21	12.19 ( 3.50 - 13.50 )	3.61 ( 0.92 - 5.33 )	15.87	99
15+15+15+25+25+60	1.18	1.18	1.18	1.97	1.97	4.72	12.20 ( 3.50 - 13.50 )	3.60 ( 0.92 - 5.32 )	15.82	99
15+15+15+25+25+71	1.10	1.10	1.10	1.84	1.84	5.22	12.20 ( 3.50 - 13.50 )	3.60 ( 0.92 - 5.32 )	15.80	99
15+15+15+25+35+35	1.31	1.31	1.31	2.18	3.05	3.05	12.21 ( 3.50 - 13.50 )	3.62 ( 0.92 - 5.35 )	15.91	99
15+15+15+25+35+42	1.24	1.24	1.24	2.07	2.90	3.49	12.18 ( 3.50 - 13.50 )	3.61 ( 0.92 - 5.33 )	15.85	99
15+15+15+25+35+50	1.18	1.18	1.18	1.97	2.75	3.94	12.20 ( 3.50 - 13.50 )	3.60 ( 0.92 - 5.32 )	15.82	99
15+15+15+25+35+60	1.11	1.11	1.11	1.85	2.59	4.44	12.21 ( 3.50 - 13.50 )	3.60 ( 0.92 - 5.32 )	15.80	99
15+15+15+25+35+71	1.04	1.04	1.04	1.73	2.43	4.92	12.20 ( 3.50 - 13.50 )	3.59 ( 0.92 - 5.32 )	15.78	99
15+15+15+25+42+42	1.19	1.19	1.19	1.98	3.33	3.33	12.21 ( 3.50 - 13.50 )	3.60 ( 0.92 - 5.32 )	15.83	99
15+15+15+25+42+50	1.13	1.13	1.13	1.88	3.16	3.77	12.20 ( 3.50 - 13.50 )	3.60 ( 0.92 - 5.32 )	15.81	99
15+15+15+25+42+60	1.06	1.06	1.06	1.77	2.98	4.26	12.19 ( 3.50 - 13.50 )	3.59 ( 0.92 - 5.32 )	15.79	99
15+15+15+25+50+50	1.08	1.08	1.08	1.79	3.59	3.59	12.21 ( 3.50 - 13.50 )	3.60 ( 0.92 - 5.32 )	15.79	99
15+15+15+25+50+60	1.02	1.02	1.02	1.69	3.39	4.07	12.21 ( 3.50 - 13.50 )	3.59 ( 0.92 - 5.32 )	15.77	99
15+15+15+35+35+35	1.22	1.22	1.22	2.85	2.85	2.85	12.21 ( 3.50 - 13.50 )	3.61 ( 0.92 - 5.32 )	15.83	99
15+15+15+35+35+42	1.17	1.17	1.17	2.72	2.72	3.26	12.21 ( 3.50 - 13.50 )	3.60 ( 0.92 - 5.32 )	15.82	99
15+15+15+35+35+50	1.11	1.11	1.11	2.59	2.59	3.70	12.21 ( 3.50 - 13.50 )	3.60 ( 0.92 - 5.32 )	15.80	99
15+15+15+35+35+60	1.05	1.05	1.05	2.44	2.44	4.18	12.21 ( 3.50 - 13.50 )	3.59 ( 0.92 - 5.32 )	15.78	99
15+15+15+35+42+42	1.12	1.12	1.12	2.60	3.12	3.12	12.20 ( 3.50 - 13.50 )	3.60 ( 0.92 - 5.32 )	15.81	99
15+15+15+35+42+50	1.06	1.06	1.06	2.48	2.98	3.55	12.19 ( 3.50 - 13.50 )	3.59 ( 0.92 - 5.32 )	15.79	99
15+15+15+35+50+50	1.02	1.02	1.02	2.37	3.39	3.39	12.21 ( 3.50 - 13.50 )	3.59 ( 0.92 - 5.32 )	15.77	99
15+15+15+42+42+42	1.07	1.07	1.07	3.00	3.00	3.00	12.21 ( 3.50 - 13.50 )	3.60 ( 0.92 - 5.32 )	15.79	99
15+15+15+42+42+50	1.02	1.02	1.02	2.86	2.86	3.41	12.19 ( 3.50 - 13.50 )	3.59 ( 0.92 - 5.32 )	15.77	99
15+15+18+18+18+18	1.47	1.47	1.76	1.76	1.76	1.76	9.98 ( 3.50 - 12.50 )	2.73 ( 0.96 - 5.63 )	11.98	99
15+15+18+18+18+20	1.46	1.46	1.75	1.75	1.75	1.94	10.11 ( 3.50 - 12.50 )	2.82 ( 0.96 - 5.63 )	12.38	99
15+15+18+18+18+22	1.46	1.46	1.75	1.75	1.75	2.14	10.31 ( 3.50 - 12.60 )	2.91 ( 0.96 - 5.65 )	12.78	99
15+15+18+18+18+25	1.44	1.44	1.73	1.73	1.73	2.41	10.48 ( 3.50 - 12.50 )	3.05 ( 0.96 - 5.63 )	13.37	99
15+15+18+18+18+35	1.42	1.42	1.71	1.71	1.71	3.32	11.29 ( 3.50 - 12.60 )	3.51 ( 0.96 - 5.65 )	15.41	99
15+15+18+18+18+42	1.39	1.39	1.67	1.67	1.67	3.90	11.69 ( 3.50 - 13.20 )	3.58 ( 0.93 - 5.46 )	15.74	99
15+15+18+18+18+50	1.35	1.35	1.63	1.63	1.63	4.51	12.10 ( 3.50 - 13.50 )	3.63 ( 0.92 - 5.36 )	15.95	99
15+15+18+18+18+60	1.27	1.27	1.53	1.53	1.53	5.08	12.21 ( 3.50 - 13.50 )	3.62 ( 0.92 - 5.33 )	15.88	99
15+15+18+18+18+71	1.18	1.18	1.42	1.42	1.42	5.59	12.21 ( 3.50 - 13.50 )	3.60 ( 0.92 - 5.32 )	15.82	99
15+15+18+18+20+20	1.46	1.46	1.75	1.75	1.94	1.94	10.30 ( 3.50 - 12.60 )	2.91 ( 0.96 - 5.65 )	12.78	99
15+15+18+18+20+22	1.45	1.45	1.74	1.74	1.94	2.13	10.45 ( 3.50 - 13.50 )	3.00 ( 0.92 - 5.37 )	13.18	99

# MXZ-6D122VA COOLING

Indoor units combination	Cooling Capacity (kW)							Outdoor unit power consumption (kW)	Current (A)	Power factor (%)
	Unit A	Unit B	Unit C	Unit D	Unit E	Unit F	Total			
15+15+18+18+20+25	1.45	1.45	1.74	1.74	1.93	2.41	10.72 ( 3.50 - 12.60 )	3.14 ( 0.96 - 5.65 )	13.78	99
15+15+18+18+20+35	1.43	1.43	1.71	1.71	1.90	3.33	11.51 ( 3.50 - 12.80 )	3.53 ( 0.96 - 5.59 )	15.50	99
15+15+18+18+20+42	1.38	1.38	1.66	1.66	1.84	3.87	11.79 ( 3.50 - 13.40 )	3.60 ( 0.93 - 5.40 )	15.83	99
15+15+18+18+20+50	1.33	1.33	1.60	1.60	1.78	4.45	12.09 ( 3.50 - 13.50 )	3.63 ( 0.92 - 5.36 )	15.93	99
15+15+18+18+20+60	1.25	1.25	1.50	1.50	1.67	5.01	12.18 ( 3.50 - 13.50 )	3.61 ( 0.92 - 5.33 )	15.86	99
15+15+18+18+20+71	1.17	1.17	1.40	1.40	1.55	5.52	12.21 ( 3.50 - 13.50 )	3.60 ( 0.92 - 5.32 )	15.82	99
15+15+18+18+22+22	1.45	1.45	1.73	1.73	2.12	2.12	10.60 ( 3.50 - 12.50 )	3.09 ( 0.96 - 5.63 )	13.58	99
15+15+18+18+22+25	1.44	1.44	1.73	1.73	2.11	2.40	10.85 ( 3.50 - 13.10 )	3.23 ( 0.95 - 5.49 )	14.19	99
15+15+18+18+22+35	1.41	1.41	1.70	1.70	2.07	3.30	11.59 ( 3.50 - 12.90 )	3.55 ( 0.95 - 5.56 )	15.60	99
15+15+18+18+22+42	1.37	1.37	1.65	1.65	2.01	3.84	11.89 ( 3.50 - 13.50 )	3.63 ( 0.92 - 5.37 )	15.92	99
15+15+18+18+22+50	1.33	1.33	1.59	1.59	1.94	4.42	12.20 ( 3.50 - 13.50 )	3.62 ( 0.92 - 5.35 )	15.92	99
15+15+18+18+22+60	1.24	1.24	1.48	1.48	1.81	4.95	12.20 ( 3.50 - 13.50 )	3.61 ( 0.92 - 5.32 )	15.85	99
15+15+18+18+22+71	1.15	1.15	1.38	1.38	1.69	5.45	12.20 ( 3.50 - 13.50 )	3.60 ( 0.92 - 5.32 )	15.81	99
15+15+18+18+25+25	1.44	1.44	1.72	1.72	2.39	2.39	11.10 ( 3.50 - 12.60 )	3.37 ( 0.96 - 5.65 )	14.80	99
15+15+18+18+25+35	1.39	1.39	1.67	1.67	2.32	3.25	11.69 ( 3.50 - 13.20 )	3.58 ( 0.93 - 5.46 )	15.74	99
15+15+18+18+25+42	1.35	1.35	1.62	1.62	2.26	3.79	11.99 ( 3.50 - 13.50 )	3.63 ( 0.92 - 5.36 )	15.95	99
15+15+18+18+25+50	1.30	1.30	1.56	1.56	2.16	4.33	12.21 ( 3.50 - 13.50 )	3.62 ( 0.92 - 5.34 )	15.90	99
15+15+18+18+25+60	1.21	1.21	1.45	1.45	2.02	4.85	12.19 ( 3.50 - 13.50 )	3.60 ( 0.92 - 5.32 )	15.83	99
15+15+18+18+25+71	1.13	1.13	1.36	1.36	1.88	5.35	12.21 ( 3.50 - 13.50 )	3.60 ( 0.92 - 5.32 )	15.81	99
15+15+18+18+35+35	1.33	1.33	1.60	1.60	3.11	3.11	12.08 ( 3.50 - 13.50 )	3.63 ( 0.92 - 5.36 )	15.93	99
15+15+18+18+35+42	1.28	1.28	1.54	1.54	2.99	3.58	12.21 ( 3.50 - 13.50 )	3.62 ( 0.92 - 5.34 )	15.89	99
15+15+18+18+35+50	1.21	1.21	1.45	1.45	2.83	4.04	12.19 ( 3.50 - 13.50 )	3.60 ( 0.92 - 5.32 )	15.83	99
15+15+18+18+35+60	1.14	1.14	1.36	1.36	2.65	4.55	12.20 ( 3.50 - 13.50 )	3.60 ( 0.92 - 5.32 )	15.81	99
15+15+18+18+35+71	1.06	1.06	1.28	1.28	2.48	5.04	12.20 ( 3.50 - 13.50 )	3.59 ( 0.92 - 5.32 )	15.79	99
15+15+18+18+42+42	1.22	1.22	1.46	1.46	3.42	3.42	12.20 ( 3.50 - 13.50 )	3.61 ( 0.92 - 5.32 )	15.83	99
15+15+18+18+42+50	1.16	1.16	1.39	1.39	3.24	3.86	12.20 ( 3.50 - 13.50 )	3.60 ( 0.92 - 5.32 )	15.82	99
15+15+18+18+42+60	1.09	1.09	1.31	1.31	3.05	4.36	12.21 ( 3.50 - 13.50 )	3.60 ( 0.92 - 5.32 )	15.79	99
15+15+18+18+42+71	1.02	1.02	1.23	1.23	2.86	4.84	12.20 ( 3.50 - 13.50 )	3.59 ( 0.92 - 5.32 )	15.77	99
15+15+18+18+50+50	1.10	1.10	1.32	1.32	3.67	3.67	12.18 ( 3.50 - 13.50 )	3.60 ( 0.92 - 5.32 )	15.80	99
15+15+18+18+50+60	1.04	1.04	1.25	1.25	3.47	4.16	12.21 ( 3.50 - 13.50 )	3.59 ( 0.92 - 5.32 )	15.78	99
15+15+18+20+20+20	1.45	1.45	1.74	1.94	1.94	1.94	10.46 ( 3.50 - 13.50 )	3.00 ( 0.92 - 5.37 )	13.18	99
15+15+18+20+20+22	1.45	1.45	1.73	1.93	1.93	2.12	10.61 ( 3.50 - 12.50 )	3.09 ( 0.96 - 5.63 )	13.58	99
15+15+18+20+20+25	1.44	1.44	1.73	1.92	1.92	2.40	10.85 ( 3.50 - 13.10 )	3.23 ( 0.95 - 5.49 )	14.19	99
15+15+18+20+20+35	1.41	1.41	1.70	1.89	1.89	3.30	11.60 ( 3.50 - 12.90 )	3.55 ( 0.95 - 5.56 )	15.60	99
15+15+18+20+20+42	1.37	1.37	1.65	1.83	1.83	3.84	11.89 ( 3.50 - 13.50 )	3.63 ( 0.92 - 5.37 )	15.92	99
15+15+18+20+20+50	1.33	1.33	1.59	1.77	1.77	4.42	12.21 ( 3.50 - 13.50 )	3.62 ( 0.92 - 5.35 )	15.92	99

# MXZ-6D122VA COOLING

Indoor units combination	Cooling Capacity (kW)							Outdoor unit power consumption (kW)	Current (A)	Power factor (%)
	Unit A	Unit B	Unit C	Unit D	Unit E	Unit F	Total			
15+15+18+20+20+60	1.24	1.24	1.48	1.65	1.65	4.95	12.21 ( 3.50 - 13.50 )	3.61 ( 0.92 - 5.32 )	15.85	99
15+15+18+20+20+71	1.15	1.15	1.38	1.53	1.53	5.45	12.19 ( 3.50 - 13.50 )	3.60 ( 0.92 - 5.32 )	15.81	99
15+15+18+20+22+22	1.45	1.45	1.74	1.93	2.12	2.12	10.81 ( 3.50 - 13.50 )	3.18 ( 0.92 - 5.37 )	13.99	99
15+15+18+20+22+25	1.43	1.43	1.72	1.91	2.10	2.39	10.98 ( 3.50 - 12.60 )	3.32 ( 0.96 - 5.65 )	14.60	99
15+15+18+20+22+35	1.40	1.40	1.68	1.87	2.06	3.28	11.69 ( 3.50 - 13.10 )	3.57 ( 0.95 - 5.49 )	15.69	99
15+15+18+20+22+42	1.36	1.36	1.64	1.82	2.00	3.82	12.00 ( 3.50 - 13.50 )	3.63 ( 0.92 - 5.37 )	15.96	99
15+15+18+20+22+50	1.31	1.31	1.57	1.74	1.92	4.36	12.21 ( 3.50 - 13.50 )	3.62 ( 0.92 - 5.35 )	15.91	99
15+15+18+20+22+60	1.22	1.22	1.46	1.63	1.79	4.88	12.20 ( 3.50 - 13.50 )	3.61 ( 0.92 - 5.32 )	15.83	99
15+15+18+20+22+71	1.14	1.14	1.36	1.52	1.67	5.38	12.21 ( 3.50 - 13.50 )	3.60 ( 0.92 - 5.32 )	15.81	99
15+15+18+20+25+25	1.42	1.42	1.71	1.90	2.37	2.37	11.19 ( 3.50 - 12.60 )	3.46 ( 0.96 - 5.65 )	15.21	99
15+15+18+20+25+35	1.38	1.38	1.66	1.84	2.30	3.23	11.79 ( 3.50 - 13.40 )	3.60 ( 0.93 - 5.40 )	15.83	99
15+15+18+20+25+42	1.34	1.34	1.61	1.79	2.24	3.76	12.08 ( 3.50 - 13.50 )	3.63 ( 0.92 - 5.36 )	15.94	99
15+15+18+20+25+50	1.28	1.28	1.54	1.71	2.13	4.27	12.21 ( 3.50 - 13.50 )	3.62 ( 0.92 - 5.34 )	15.89	99
15+15+18+20+25+60	1.20	1.20	1.44	1.59	1.99	4.78	12.20 ( 3.50 - 13.50 )	3.60 ( 0.92 - 5.32 )	15.83	99
15+15+18+20+25+71	1.12	1.12	1.34	1.49	1.86	5.28	12.21 ( 3.50 - 13.50 )	3.60 ( 0.92 - 5.32 )	15.81	99
15+15+18+20+35+35	1.33	1.33	1.59	1.77	3.09	3.09	12.20 ( 3.50 - 13.50 )	3.62 ( 0.92 - 5.35 )	15.92	99
15+15+18+20+35+42	1.26	1.26	1.51	1.68	2.94	3.53	12.18 ( 3.50 - 13.50 )	3.61 ( 0.92 - 5.33 )	15.87	99
15+15+18+20+35+50	1.20	1.20	1.44	1.59	2.79	3.99	12.21 ( 3.50 - 13.50 )	3.60 ( 0.92 - 5.32 )	15.83	99
15+15+18+20+35+60	1.12	1.12	1.35	1.50	2.62	4.49	12.20 ( 3.50 - 13.50 )	3.60 ( 0.92 - 5.32 )	15.81	99
15+15+18+20+35+71	1.05	1.05	1.26	1.40	2.45	4.98	12.19 ( 3.50 - 13.50 )	3.59 ( 0.92 - 5.32 )	15.78	99
15+15+18+20+42+42	1.20	1.20	1.44	1.61	3.37	3.37	12.19 ( 3.50 - 13.50 )	3.60 ( 0.92 - 5.32 )	15.83	99
15+15+18+20+42+50	1.14	1.14	1.37	1.53	3.20	3.81	12.19 ( 3.50 - 13.50 )	3.60 ( 0.92 - 5.32 )	15.81	99
15+15+18+20+42+60	1.08	1.08	1.29	1.44	3.01	4.31	12.21 ( 3.50 - 13.50 )	3.60 ( 0.92 - 5.32 )	15.79	99
15+15+18+20+50+50	1.09	1.09	1.31	1.45	3.63	3.63	12.20 ( 3.50 - 13.50 )	3.60 ( 0.92 - 5.32 )	15.79	99
15+15+18+20+50+60	1.03	1.03	1.23	1.37	3.43	4.11	12.20 ( 3.50 - 13.50 )	3.59 ( 0.92 - 5.32 )	15.77	99
15+15+18+22+22+22	1.43	1.43	1.72	2.10	2.10	2.10	10.88 ( 3.50 - 12.60 )	3.28 ( 0.96 - 5.65 )	14.39	99
15+15+18+22+22+25	1.44	1.44	1.72	2.11	2.11	2.39	11.21 ( 3.50 - 12.60 )	3.42 ( 0.96 - 5.65 )	15.00	99
15+15+18+22+22+35	1.39	1.39	1.67	2.04	2.04	3.25	11.78 ( 3.50 - 13.20 )	3.59 ( 0.93 - 5.46 )	15.78	99
15+15+18+22+22+42	1.35	1.35	1.63	1.99	1.99	3.79	12.10 ( 3.50 - 13.50 )	3.63 ( 0.92 - 5.36 )	15.95	99
15+15+18+22+22+50	1.29	1.29	1.55	1.89	1.89	4.30	12.21 ( 3.50 - 13.50 )	3.62 ( 0.92 - 5.34 )	15.89	99
15+15+18+22+22+60	1.20	1.20	1.44	1.77	1.77	4.82	12.20 ( 3.50 - 13.50 )	3.60 ( 0.92 - 5.32 )	15.83	99
15+15+18+22+22+71	1.12	1.12	1.35	1.65	1.65	5.31	12.20 ( 3.50 - 13.50 )	3.60 ( 0.92 - 5.32 )	15.81	99
15+15+18+22+25+25	1.43	1.43	1.71	2.09	2.38	2.38	11.42 ( 3.50 - 12.80 )	3.52 ( 0.96 - 5.59 )	15.46	99
15+15+18+22+25+35	1.37	1.37	1.65	2.01	2.29	3.20	11.89 ( 3.50 - 13.50 )	3.63 ( 0.92 - 5.37 )	15.92	99
15+15+18+22+25+42	1.32	1.32	1.59	1.94	2.21	3.71	12.09 ( 3.50 - 13.50 )	3.63 ( 0.92 - 5.35 )	15.93	99
15+15+18+22+25+50	1.26	1.26	1.51	1.85	2.10	4.21	12.19 ( 3.50 - 13.50 )	3.61 ( 0.92 - 5.33 )	15.87	99

# MXZ-6D122VA COOLING

Indoor units combination	Cooling Capacity (kW)							Outdoor unit power consumption (kW)	Current (A)	Power factor (%)
	Unit A	Unit B	Unit C	Unit D	Unit E	Unit F	Total			
15+15+18+22+25+60	1.18	1.18	1.42	1.73	1.97	4.72	12.20 ( 3.50 - 13.50 )	3.60 ( 0.92 - 5.32 )	15.82	99
15+15+18+22+25+71	1.10	1.10	1.32	1.62	1.84	5.22	12.20 ( 3.50 - 13.50 )	3.60 ( 0.92 - 5.32 )	15.80	99
15+15+18+22+35+35	1.31	1.31	1.57	1.92	3.05	3.05	12.21 ( 3.50 - 13.50 )	3.62 ( 0.92 - 5.35 )	15.91	99
15+15+18+22+35+42	1.24	1.24	1.49	1.83	2.90	3.49	12.19 ( 3.50 - 13.50 )	3.61 ( 0.92 - 5.33 )	15.85	99
15+15+18+22+35+50	1.18	1.18	1.42	1.73	2.75	3.94	12.20 ( 3.50 - 13.50 )	3.60 ( 0.92 - 5.32 )	15.82	99
15+15+18+22+35+60	1.11	1.11	1.33	1.63	2.59	4.44	12.21 ( 3.50 - 13.50 )	3.60 ( 0.92 - 5.32 )	15.80	99
15+15+18+22+35+71	1.04	1.04	1.25	1.53	2.43	4.92	12.21 ( 3.50 - 13.50 )	3.59 ( 0.92 - 5.32 )	15.78	99
15+15+18+22+42+42	1.19	1.19	1.43	1.74	3.33	3.33	12.21 ( 3.50 - 13.50 )	3.60 ( 0.92 - 5.32 )	15.83	99
15+15+18+22+42+50	1.13	1.13	1.36	1.66	3.16	3.77	12.21 ( 3.50 - 13.50 )	3.60 ( 0.92 - 5.32 )	15.81	99
15+15+18+22+42+60	1.06	1.06	1.28	1.56	2.98	4.26	12.20 ( 3.50 - 13.50 )	3.59 ( 0.92 - 5.32 )	15.79	99
15+15+18+22+50+50	1.08	1.08	1.29	1.58	3.59	3.59	12.21 ( 3.50 - 13.50 )	3.60 ( 0.92 - 5.32 )	15.79	99
15+15+18+22+50+60	1.02	1.02	1.22	1.49	3.39	4.07	12.21 ( 3.50 - 13.50 )	3.59 ( 0.92 - 5.32 )	15.77	99
15+15+18+25+25+25	1.41	1.41	1.70	2.36	2.36	2.36	11.60 ( 3.50 - 12.90 )	3.55 ( 0.95 - 5.56 )	15.60	99
15+15+18+25+25+35	1.35	1.35	1.62	2.26	2.26	3.16	12.00 ( 3.50 - 13.50 )	3.63 ( 0.92 - 5.36 )	15.95	99
15+15+18+25+25+42	1.31	1.31	1.57	2.18	2.18	3.66	12.21 ( 3.50 - 13.50 )	3.62 ( 0.92 - 5.35 )	15.91	99
15+15+18+25+25+50	1.24	1.24	1.48	2.06	2.06	4.12	12.20 ( 3.50 - 13.50 )	3.61 ( 0.92 - 5.32 )	15.85	99
15+15+18+25+25+60	1.16	1.16	1.39	1.93	1.93	4.63	12.20 ( 3.50 - 13.50 )	3.60 ( 0.92 - 5.32 )	15.82	99
15+15+18+25+25+71	1.08	1.08	1.30	1.80	1.80	5.13	12.19 ( 3.50 - 13.50 )	3.60 ( 0.92 - 5.32 )	15.79	99
15+15+18+25+35+35	1.28	1.28	1.54	2.13	2.99	2.99	12.21 ( 3.50 - 13.50 )	3.62 ( 0.92 - 5.34 )	15.89	99
15+15+18+25+35+42	1.22	1.22	1.46	2.03	2.85	3.42	12.20 ( 3.50 - 13.50 )	3.61 ( 0.92 - 5.32 )	15.83	99
15+15+18+25+35+50	1.16	1.16	1.39	1.93	2.70	3.86	12.20 ( 3.50 - 13.50 )	3.60 ( 0.92 - 5.32 )	15.82	99
15+15+18+25+35+60	1.09	1.09	1.31	1.82	2.54	4.36	12.21 ( 3.50 - 13.50 )	3.60 ( 0.92 - 5.32 )	15.79	99
15+15+18+25+35+71	1.02	1.02	1.23	1.70	2.39	4.84	12.20 ( 3.50 - 13.50 )	3.59 ( 0.92 - 5.32 )	15.77	99
15+15+18+25+42+42	1.17	1.17	1.40	1.94	3.26	3.26	12.20 ( 3.50 - 13.50 )	3.60 ( 0.92 - 5.32 )	15.82	99
15+15+18+25+42+50	1.11	1.11	1.33	1.85	3.11	3.70	12.21 ( 3.50 - 13.50 )	3.60 ( 0.92 - 5.32 )	15.80	99
15+15+18+25+42+60	1.05	1.05	1.25	1.74	2.93	4.18	12.20 ( 3.50 - 13.50 )	3.59 ( 0.92 - 5.32 )	15.78	99
15+15+18+25+50+50	1.06	1.06	1.27	1.76	3.53	3.53	12.21 ( 3.50 - 13.50 )	3.59 ( 0.92 - 5.32 )	15.79	99
15+15+18+35+35+35	1.20	1.20	1.44	2.79	2.79	2.79	12.21 ( 3.50 - 13.50 )	3.60 ( 0.92 - 5.32 )	15.83	99
15+15+18+35+35+42	1.14	1.14	1.37	2.67	2.67	3.20	12.19 ( 3.50 - 13.50 )	3.60 ( 0.92 - 5.32 )	15.81	99
15+15+18+35+35+50	1.09	1.09	1.31	2.54	2.54	3.63	12.20 ( 3.50 - 13.50 )	3.60 ( 0.92 - 5.32 )	15.79	99
15+15+18+35+35+60	1.03	1.03	1.23	2.40	2.40	4.11	12.20 ( 3.50 - 13.50 )	3.59 ( 0.92 - 5.32 )	15.77	99
15+15+18+35+42+42	1.10	1.10	1.31	2.56	3.07	3.07	12.21 ( 3.50 - 13.50 )	3.60 ( 0.92 - 5.32 )	15.80	99
15+15+18+35+42+50	1.05	1.05	1.25	2.44	2.93	3.49	12.21 ( 3.50 - 13.50 )	3.59 ( 0.92 - 5.32 )	15.78	99
15+15+18+42+42+42	1.05	1.05	1.26	2.94	2.94	2.94	12.18 ( 3.50 - 13.50 )	3.59 ( 0.92 - 5.32 )	15.78	99
15+15+20+20+20+20	1.45	1.45	1.93	1.93	1.93	1.93	10.62 ( 3.50 - 12.50 )	3.09 ( 0.96 - 5.63 )	13.58	99
15+15+20+20+20+22	1.45	1.45	1.93	1.93	1.93	2.12	10.81 ( 3.50 - 13.50 )	3.18 ( 0.92 - 5.37 )	13.99	99



# MXZ-6D122VA COOLING

Indoor units combination	Cooling Capacity (kW)							Outdoor unit power consumption (kW)	Current (A)	Power factor (%)
	Unit A	Unit B	Unit C	Unit D	Unit E	Unit F	Total			
15+15+20+20+20+25	1.43	1.43	1.91	1.91	1.91	2.39	10.98 ( 3.50 - 12.60 )	3.32 ( 0.96 - 5.65 )	14.60	99
15+15+20+20+20+35	1.40	1.40	1.87	1.87	1.87	3.28	11.69 ( 3.50 - 13.10 )	3.57 ( 0.95 - 5.49 )	15.69	99
15+15+20+20+20+42	1.36	1.36	1.82	1.82	1.82	3.82	12.00 ( 3.50 - 13.50 )	3.63 ( 0.92 - 5.37 )	15.96	99
15+15+20+20+20+50	1.31	1.31	1.74	1.74	1.74	4.36	12.20 ( 3.50 - 13.50 )	3.62 ( 0.92 - 5.35 )	15.91	99
15+15+20+20+20+60	1.22	1.22	1.63	1.63	1.63	4.88	12.21 ( 3.50 - 13.50 )	3.61 ( 0.92 - 5.32 )	15.83	99
15+15+20+20+20+71	1.14	1.14	1.52	1.52	1.52	5.38	12.22 ( 3.50 - 13.50 )	3.60 ( 0.92 - 5.32 )	15.81	99
15+15+20+20+22+22	1.43	1.43	1.91	1.91	2.10	2.10	10.88 ( 3.50 - 12.60 )	3.28 ( 0.96 - 5.65 )	14.39	99
15+15+20+20+22+25	1.44	1.44	1.91	1.91	2.11	2.39	11.20 ( 3.50 - 12.60 )	3.42 ( 0.96 - 5.65 )	15.00	99
15+15+20+20+22+35	1.39	1.39	1.86	1.86	2.04	3.25	11.79 ( 3.50 - 13.20 )	3.59 ( 0.93 - 5.46 )	15.78	99
15+15+20+20+22+42	1.35	1.35	1.81	1.81	1.99	3.79	12.10 ( 3.50 - 13.50 )	3.63 ( 0.92 - 5.36 )	15.95	99
15+15+20+20+22+50	1.29	1.29	1.72	1.72	1.89	4.30	12.21 ( 3.50 - 13.50 )	3.62 ( 0.92 - 5.34 )	15.89	99
15+15+20+20+22+60	1.20	1.20	1.61	1.61	1.77	4.82	12.21 ( 3.50 - 13.50 )	3.60 ( 0.92 - 5.32 )	15.83	99
15+15+20+20+22+71	1.12	1.12	1.50	1.50	1.65	5.31	12.20 ( 3.50 - 13.50 )	3.60 ( 0.92 - 5.32 )	15.81	99
15+15+20+20+25+25	1.43	1.43	1.90	1.90	2.38	2.38	11.42 ( 3.50 - 12.80 )	3.52 ( 0.96 - 5.59 )	15.46	99
15+15+20+20+25+35	1.37	1.37	1.83	1.83	2.29	3.20	11.89 ( 3.50 - 13.50 )	3.63 ( 0.92 - 5.37 )	15.92	99
15+15+20+20+25+42	1.32	1.32	1.77	1.77	2.21	3.71	12.10 ( 3.50 - 13.50 )	3.63 ( 0.92 - 5.35 )	15.93	99
15+15+20+20+25+50	1.26	1.26	1.68	1.68	2.10	4.21	12.19 ( 3.50 - 13.50 )	3.61 ( 0.92 - 5.33 )	15.87	99
15+15+20+20+25+60	1.18	1.18	1.57	1.57	1.97	4.72	12.19 ( 3.50 - 13.50 )	3.60 ( 0.92 - 5.32 )	15.82	99
15+15+20+20+25+71	1.10	1.10	1.47	1.47	1.84	5.22	12.20 ( 3.50 - 13.50 )	3.60 ( 0.92 - 5.32 )	15.80	99
15+15+20+20+35+35	1.31	1.31	1.74	1.74	3.05	3.05	12.20 ( 3.50 - 13.50 )	3.62 ( 0.92 - 5.35 )	15.91	99
15+15+20+20+35+42	1.24	1.24	1.66	1.66	2.90	3.49	12.19 ( 3.50 - 13.50 )	3.61 ( 0.92 - 5.33 )	15.85	99
15+15+20+20+35+50	1.18	1.18	1.57	1.57	2.75	3.94	12.19 ( 3.50 - 13.50 )	3.60 ( 0.92 - 5.32 )	15.82	99
15+15+20+20+35+60	1.11	1.11	1.48	1.48	2.59	4.44	12.21 ( 3.50 - 13.50 )	3.60 ( 0.92 - 5.32 )	15.80	99
15+15+20+20+35+71	1.04	1.04	1.39	1.39	2.43	4.92	12.21 ( 3.50 - 13.50 )	3.59 ( 0.92 - 5.32 )	15.78	99
15+15+20+20+42+42	1.19	1.19	1.58	1.58	3.33	3.33	12.20 ( 3.50 - 13.50 )	3.60 ( 0.92 - 5.32 )	15.83	99
15+15+20+20+42+50	1.13	1.13	1.51	1.51	3.16	3.77	12.21 ( 3.50 - 13.50 )	3.60 ( 0.92 - 5.32 )	15.81	99
15+15+20+20+42+60	1.06	1.06	1.42	1.42	2.98	4.26	12.20 ( 3.50 - 13.50 )	3.59 ( 0.92 - 5.32 )	15.79	99
15+15+20+20+50+50	1.08	1.08	1.44	1.44	3.59	3.59	12.22 ( 3.50 - 13.50 )	3.60 ( 0.92 - 5.32 )	15.79	99
15+15+20+20+50+60	1.02	1.02	1.36	1.36	3.39	4.07	12.22 ( 3.50 - 13.50 )	3.59 ( 0.92 - 5.32 )	15.77	99
15+15+20+22+22+22	1.44	1.44	1.91	2.11	2.11	2.11	11.12 ( 3.50 - 12.60 )	3.37 ( 0.96 - 5.65 )	14.80	99
15+15+20+22+22+25	1.42	1.42	1.90	2.09	2.09	2.37	11.29 ( 3.50 - 12.60 )	3.51 ( 0.96 - 5.65 )	15.41	99
15+15+20+22+22+35	1.38	1.38	1.84	2.03	2.03	3.23	11.89 ( 3.50 - 13.40 )	3.62 ( 0.93 - 5.40 )	15.88	99
15+15+20+22+22+42	1.33	1.33	1.78	1.96	1.96	3.74	12.10 ( 3.50 - 13.50 )	3.63 ( 0.92 - 5.36 )	15.93	99
15+15+20+22+22+50	1.27	1.27	1.69	1.86	1.86	4.24	12.19 ( 3.50 - 13.50 )	3.62 ( 0.92 - 5.33 )	15.88	99
15+15+20+22+22+60	1.19	1.19	1.58	1.74	1.74	4.75	12.19 ( 3.50 - 13.50 )	3.60 ( 0.92 - 5.32 )	15.83	99
15+15+20+22+22+71	1.11	1.11	1.48	1.63	1.63	5.25	12.21 ( 3.50 - 13.50 )	3.60 ( 0.92 - 5.32 )	15.80	99

# MXZ-6D122VA COOLING

Indoor units combination	Cooling Capacity (kW)							Outdoor unit power consumption (kW)	Current (A)	Power factor (%)
	Unit A	Unit B	Unit C	Unit D	Unit E	Unit F	Total			
15+15+20+22+25+25	1.41	1.41	1.89	2.07	2.36	2.36	11.50 ( 3.50 - 12.90 )	3.54 ( 0.95 - 5.56 )	15.55	99
15+15+20+22+25+35	1.36	1.36	1.82	2.00	2.27	3.18	11.99 ( 3.50 - 13.50 )	3.63 ( 0.92 - 5.37 )	15.96	99
15+15+20+22+25+42	1.32	1.32	1.76	1.93	2.19	3.69	12.21 ( 3.50 - 13.50 )	3.62 ( 0.92 - 5.35 )	15.91	99
15+15+20+22+25+50	1.24	1.24	1.66	1.83	2.07	4.15	12.19 ( 3.50 - 13.50 )	3.61 ( 0.92 - 5.33 )	15.85	99
15+15+20+22+25+60	1.17	1.17	1.55	1.71	1.94	4.66	12.20 ( 3.50 - 13.50 )	3.60 ( 0.92 - 5.32 )	15.82	99
15+15+20+22+25+71	1.09	1.09	1.45	1.60	1.82	5.16	12.21 ( 3.50 - 13.50 )	3.60 ( 0.92 - 5.32 )	15.79	99
15+15+20+22+35+35	1.29	1.29	1.72	1.89	3.01	3.01	12.21 ( 3.50 - 13.50 )	3.62 ( 0.92 - 5.34 )	15.89	99
15+15+20+22+35+42	1.23	1.23	1.64	1.80	2.87	3.44	12.21 ( 3.50 - 13.50 )	3.61 ( 0.92 - 5.32 )	15.84	99
15+15+20+22+35+50	1.17	1.17	1.55	1.71	2.72	3.89	12.21 ( 3.50 - 13.50 )	3.60 ( 0.92 - 5.32 )	15.82	99
15+15+20+22+35+60	1.10	1.10	1.46	1.61	2.56	4.38	12.21 ( 3.50 - 13.50 )	3.60 ( 0.92 - 5.32 )	15.80	99
15+15+20+22+35+71	1.03	1.03	1.37	1.51	2.40	4.87	12.21 ( 3.50 - 13.50 )	3.59 ( 0.92 - 5.32 )	15.77	99
15+15+20+22+42+42	1.17	1.17	1.56	1.72	3.28	3.28	12.18 ( 3.50 - 13.50 )	3.60 ( 0.92 - 5.32 )	15.82	99
15+15+20+22+42+50	1.12	1.12	1.49	1.64	3.12	3.72	12.21 ( 3.50 - 13.50 )	3.60 ( 0.92 - 5.32 )	15.81	99
15+15+20+22+42+60	1.05	1.05	1.40	1.54	2.94	4.21	12.19 ( 3.50 - 13.50 )	3.59 ( 0.92 - 5.32 )	15.78	99
15+15+20+22+50+50	1.06	1.06	1.42	1.56	3.55	3.55	12.20 ( 3.50 - 13.50 )	3.59 ( 0.92 - 5.32 )	15.79	99
15+15+20+25+25+25	1.40	1.40	1.87	2.34	2.34	2.34	11.69 ( 3.50 - 13.10 )	3.57 ( 0.95 - 5.49 )	15.69	99
15+15+20+25+25+35	1.34	1.34	1.79	2.24	2.24	3.14	12.09 ( 3.50 - 13.50 )	3.63 ( 0.92 - 5.36 )	15.94	99
15+15+20+25+25+42	1.29	1.29	1.72	2.15	2.15	3.61	12.21 ( 3.50 - 13.50 )	3.62 ( 0.92 - 5.34 )	15.89	99
15+15+20+25+25+50	1.22	1.22	1.63	2.03	2.03	4.07	12.20 ( 3.50 - 13.50 )	3.61 ( 0.92 - 5.32 )	15.83	99
15+15+20+25+25+60	1.14	1.14	1.53	1.91	1.91	4.58	12.21 ( 3.50 - 13.50 )	3.60 ( 0.92 - 5.32 )	15.81	99
15+15+20+25+25+71	1.07	1.07	1.43	1.78	1.78	5.07	12.20 ( 3.50 - 13.50 )	3.60 ( 0.92 - 5.32 )	15.79	99
15+15+20+25+35+35	1.26	1.26	1.68	2.10	2.94	2.94	12.18 ( 3.50 - 13.50 )	3.61 ( 0.92 - 5.33 )	15.87	99
15+15+20+25+35+42	1.20	1.20	1.61	2.01	2.81	3.37	12.20 ( 3.50 - 13.50 )	3.60 ( 0.92 - 5.32 )	15.83	99
15+15+20+25+35+50	1.14	1.14	1.53	1.91	2.67	3.81	12.20 ( 3.50 - 13.50 )	3.60 ( 0.92 - 5.32 )	15.81	99
15+15+20+25+35+60	1.08	1.08	1.44	1.79	2.51	4.31	12.21 ( 3.50 - 13.50 )	3.60 ( 0.92 - 5.32 )	15.79	99
15+15+20+25+42+42	1.15	1.15	1.53	1.92	3.22	3.22	12.19 ( 3.50 - 13.50 )	3.60 ( 0.92 - 5.32 )	15.81	99
15+15+20+25+42+50	1.10	1.10	1.46	1.83	3.07	3.65	12.21 ( 3.50 - 13.50 )	3.60 ( 0.92 - 5.32 )	15.80	99
15+15+20+25+42+60	1.03	1.03	1.38	1.72	2.89	4.14	12.19 ( 3.50 - 13.50 )	3.59 ( 0.92 - 5.32 )	15.78	99
15+15+20+25+50+50	1.05	1.05	1.39	1.74	3.49	3.49	12.21 ( 3.50 - 13.50 )	3.59 ( 0.92 - 5.32 )	15.78	99
15+15+20+35+35+35	1.18	1.18	1.57	2.75	2.75	2.75	12.18 ( 3.50 - 13.50 )	3.60 ( 0.92 - 5.32 )	15.82	99
15+15+20+35+35+42	1.13	1.13	1.51	2.64	2.64	3.16	12.21 ( 3.50 - 13.50 )	3.60 ( 0.92 - 5.32 )	15.81	99
15+15+20+35+35+50	1.08	1.08	1.44	2.51	2.51	3.59	12.21 ( 3.50 - 13.50 )	3.60 ( 0.92 - 5.32 )	15.79	99
15+15+20+35+35+60	1.02	1.02	1.36	2.37	2.37	4.07	12.21 ( 3.50 - 13.50 )	3.59 ( 0.92 - 5.32 )	15.77	99
15+15+20+35+42+42	1.08	1.08	1.44	2.53	3.03	3.03	12.19 ( 3.50 - 13.50 )	3.60 ( 0.92 - 5.32 )	15.79	99
15+15+20+35+42+50	1.03	1.03	1.38	2.41	2.89	3.45	12.19 ( 3.50 - 13.50 )	3.59 ( 0.92 - 5.32 )	15.78	99
15+15+20+42+42+42	1.04	1.04	1.39	2.91	2.91	2.91	12.20 ( 3.50 - 13.50 )	3.59 ( 0.92 - 5.32 )	15.78	99

# MXZ-6D122VA COOLING

Indoor units combination	Cooling Capacity (kW)							Outdoor unit power consumption (kW)	Current (A)	Power factor (%)
	Unit A	Unit B	Unit C	Unit D	Unit E	Unit F	Total			
15+15+22+22+22+22	1.42	1.42	2.09	2.09	2.09	2.09	11.20 ( 3.50 - 12.60 )	3.46 ( 0.96 - 5.65 )	15.21	99
15+15+22+22+22+25	1.43	1.43	2.09	2.09	2.09	2.38	11.51 ( 3.50 - 12.80 )	3.53 ( 0.96 - 5.59 )	15.50	99
15+15+22+22+22+35	1.37	1.37	2.02	2.02	2.02	3.21	12.01 ( 3.50 - 13.50 )	3.64 ( 0.92 - 5.37 )	15.97	99
15+15+22+22+22+42	1.33	1.33	1.94	1.94	1.94	3.71	12.19 ( 3.50 - 13.50 )	3.62 ( 0.92 - 5.35 )	15.92	99
15+15+22+22+22+50	1.25	1.25	1.84	1.84	1.84	4.18	12.20 ( 3.50 - 13.50 )	3.61 ( 0.92 - 5.33 )	15.86	99
15+15+22+22+22+60	1.17	1.17	1.72	1.72	1.72	4.69	12.19 ( 3.50 - 13.50 )	3.60 ( 0.92 - 5.32 )	15.82	99
15+15+22+22+22+71	1.10	1.10	1.61	1.61	1.61	5.19	12.22 ( 3.50 - 13.50 )	3.60 ( 0.92 - 5.32 )	15.80	99
15+15+22+22+25+25	1.40	1.40	2.06	2.06	2.34	2.34	11.60 ( 3.50 - 13.10 )	3.56 ( 0.95 - 5.49 )	15.64	99
15+15+22+22+25+35	1.35	1.35	1.99	1.99	2.26	3.16	12.10 ( 3.50 - 13.50 )	3.63 ( 0.92 - 5.36 )	15.95	99
15+15+22+22+25+42	1.30	1.30	1.90	1.90	2.16	3.63	12.19 ( 3.50 - 13.50 )	3.62 ( 0.92 - 5.34 )	15.90	99
15+15+22+22+25+50	1.23	1.23	1.80	1.80	2.05	4.09	12.20 ( 3.50 - 13.50 )	3.61 ( 0.92 - 5.32 )	15.84	99
15+15+22+22+25+60	1.15	1.15	1.69	1.69	1.92	4.60	12.20 ( 3.50 - 13.50 )	3.60 ( 0.92 - 5.32 )	15.81	99
15+15+22+22+25+71	1.08	1.08	1.58	1.58	1.79	5.10	12.21 ( 3.50 - 13.50 )	3.60 ( 0.92 - 5.32 )	15.79	99
15+15+22+22+35+35	1.27	1.27	1.86	1.86	2.97	2.97	12.20 ( 3.50 - 13.50 )	3.62 ( 0.92 - 5.33 )	15.88	99
15+15+22+22+35+42	1.21	1.21	1.78	1.78	2.83	3.39	12.20 ( 3.50 - 13.50 )	3.60 ( 0.92 - 5.32 )	15.83	99
15+15+22+22+35+50	1.15	1.15	1.69	1.69	2.69	3.84	12.21 ( 3.50 - 13.50 )	3.60 ( 0.92 - 5.32 )	15.81	99
15+15+22+22+35+60	1.08	1.08	1.59	1.59	2.53	4.33	12.20 ( 3.50 - 13.50 )	3.60 ( 0.92 - 5.32 )	15.79	99
15+15+22+22+35+71	1.02	1.02	1.49	1.49	2.37	4.81	12.20 ( 3.50 - 13.50 )	3.59 ( 0.92 - 5.32 )	15.77	99
15+15+22+22+42+42	1.16	1.16	1.70	1.70	3.24	3.24	12.20 ( 3.50 - 13.50 )	3.60 ( 0.92 - 5.32 )	15.82	99
15+15+22+22+42+50	1.10	1.10	1.62	1.62	3.09	3.67	12.20 ( 3.50 - 13.50 )	3.60 ( 0.92 - 5.32 )	15.80	99
15+15+22+22+42+60	1.04	1.04	1.53	1.53	2.91	4.16	12.21 ( 3.50 - 13.50 )	3.59 ( 0.92 - 5.32 )	15.78	99
15+15+22+22+50+50	1.05	1.05	1.54	1.54	3.51	3.51	12.20 ( 3.50 - 13.50 )	3.59 ( 0.92 - 5.32 )	15.78	99
15+15+22+25+25+25	1.39	1.39	2.04	2.32	2.32	2.32	11.78 ( 3.50 - 13.20 )	3.59 ( 0.93 - 5.46 )	15.78	99
15+15+22+25+25+35	1.32	1.32	1.94	2.21	2.21	3.09	12.09 ( 3.50 - 13.50 )	3.63 ( 0.92 - 5.35 )	15.93	99
15+15+22+25+25+42	1.27	1.27	1.86	2.12	2.12	3.56	12.20 ( 3.50 - 13.50 )	3.62 ( 0.92 - 5.33 )	15.88	99
15+15+22+25+25+50	1.20	1.20	1.77	2.01	2.01	4.01	12.20 ( 3.50 - 13.50 )	3.60 ( 0.92 - 5.32 )	15.83	99
15+15+22+25+25+60	1.13	1.13	1.66	1.88	1.88	4.52	12.20 ( 3.50 - 13.50 )	3.60 ( 0.92 - 5.32 )	15.81	99
15+15+22+25+25+71	1.06	1.06	1.55	1.76	1.76	5.01	12.20 ( 3.50 - 13.50 )	3.59 ( 0.92 - 5.32 )	15.79	99
15+15+22+25+35+35	1.24	1.24	1.83	2.07	2.90	2.90	12.18 ( 3.50 - 13.50 )	3.61 ( 0.92 - 5.33 )	15.85	99
15+15+22+25+35+42	1.19	1.19	1.74	1.98	2.77	3.33	12.20 ( 3.50 - 13.50 )	3.60 ( 0.92 - 5.32 )	15.83	99
15+15+22+25+35+50	1.13	1.13	1.66	1.88	2.64	3.77	12.21 ( 3.50 - 13.50 )	3.60 ( 0.92 - 5.32 )	15.81	99
15+15+22+25+35+60	1.06	1.06	1.56	1.77	2.48	4.26	12.19 ( 3.50 - 13.50 )	3.59 ( 0.92 - 5.32 )	15.79	99
15+15+22+25+42+42	1.14	1.14	1.67	1.89	3.18	3.18	12.20 ( 3.50 - 13.50 )	3.60 ( 0.92 - 5.32 )	15.81	99
15+15+22+25+42+50	1.08	1.08	1.59	1.80	3.03	3.61	12.19 ( 3.50 - 13.50 )	3.60 ( 0.92 - 5.32 )	15.79	99
15+15+22+25+42+60	1.02	1.02	1.50	1.70	2.86	4.09	12.19 ( 3.50 - 13.50 )	3.59 ( 0.92 - 5.32 )	15.77	99
15+15+22+25+50+50	1.03	1.03	1.52	1.72	3.45	3.45	12.20 ( 3.50 - 13.50 )	3.59 ( 0.92 - 5.32 )	15.78	99

# MXZ-6D122VA COOLING

Indoor units combination	Cooling Capacity (kW)							Outdoor unit power consumption (kW)	Current (A)	Power factor (%)
	Unit A	Unit B	Unit C	Unit D	Unit E	Unit F	Total			
15+15+22+35+35+35	1.17	1.17	1.71	2.72	2.72	2.72	12.21 ( 3.50 - 13.50 )	3.60 ( 0.92 - 5.32 )	15.82	99
15+15+22+35+35+42	1.12	1.12	1.64	2.60	2.60	3.12	12.20 ( 3.50 - 13.50 )	3.60 ( 0.92 - 5.32 )	15.81	99
15+15+22+35+35+50	1.06	1.06	1.56	2.48	2.48	3.55	12.19 ( 3.50 - 13.50 )	3.59 ( 0.92 - 5.32 )	15.79	99
15+15+22+35+42+42	1.07	1.07	1.57	2.50	3.00	3.00	12.21 ( 3.50 - 13.50 )	3.60 ( 0.92 - 5.32 )	15.79	99
15+15+22+35+42+50	1.02	1.02	1.50	2.39	2.86	3.41	12.20 ( 3.50 - 13.50 )	3.59 ( 0.92 - 5.32 )	15.77	99
15+15+22+42+42+42	1.03	1.03	1.51	2.88	2.88	2.88	12.21 ( 3.50 - 13.50 )	3.59 ( 0.92 - 5.32 )	15.77	99
15+15+25+25+25+25	1.37	1.37	2.29	2.29	2.29	2.29	11.90 ( 3.50 - 13.50 )	3.63 ( 0.92 - 5.37 )	15.92	99
15+15+25+25+25+35	1.31	1.31	2.18	2.18	2.18	3.05	12.21 ( 3.50 - 13.50 )	3.62 ( 0.92 - 5.35 )	15.91	99
15+15+25+25+25+42	1.24	1.24	2.07	2.07	2.07	3.49	12.18 ( 3.50 - 13.50 )	3.61 ( 0.92 - 5.33 )	15.85	99
15+15+25+25+25+50	1.18	1.18	1.97	1.97	1.97	3.94	12.21 ( 3.50 - 13.50 )	3.60 ( 0.92 - 5.32 )	15.82	99
15+15+25+25+25+60	1.11	1.11	1.85	1.85	1.85	4.44	12.21 ( 3.50 - 13.50 )	3.60 ( 0.92 - 5.32 )	15.80	99
15+15+25+25+25+71	1.04	1.04	1.73	1.73	1.73	4.92	12.19 ( 3.50 - 13.50 )	3.59 ( 0.92 - 5.32 )	15.78	99
15+15+25+25+35+35	1.22	1.22	2.03	2.03	2.85	2.85	12.20 ( 3.50 - 13.50 )	3.61 ( 0.92 - 5.32 )	15.83	99
15+15+25+25+35+42	1.17	1.17	1.94	1.94	2.72	3.26	12.20 ( 3.50 - 13.50 )	3.60 ( 0.92 - 5.32 )	15.82	99
15+15+25+25+35+50	1.11	1.11	1.85	1.85	2.59	3.70	12.21 ( 3.50 - 13.50 )	3.60 ( 0.92 - 5.32 )	15.80	99
15+15+25+25+35+60	1.05	1.05	1.74	1.74	2.44	4.18	12.20 ( 3.50 - 13.50 )	3.59 ( 0.92 - 5.32 )	15.78	99
15+15+25+25+42+42	1.12	1.12	1.86	1.86	3.12	3.12	12.20 ( 3.50 - 13.50 )	3.60 ( 0.92 - 5.32 )	15.81	99
15+15+25+25+42+50	1.06	1.06	1.77	1.77	2.98	3.55	12.19 ( 3.50 - 13.50 )	3.59 ( 0.92 - 5.32 )	15.79	99
15+15+25+25+50+50	1.02	1.02	1.69	1.69	3.39	3.39	12.20 ( 3.50 - 13.50 )	3.59 ( 0.92 - 5.32 )	15.77	99
15+15+25+35+35+35	1.14	1.14	1.91	2.67	2.67	2.67	12.20 ( 3.50 - 13.50 )	3.60 ( 0.92 - 5.32 )	15.81	99
15+15+25+35+35+42	1.10	1.10	1.83	2.56	2.56	3.07	12.22 ( 3.50 - 13.50 )	3.60 ( 0.92 - 5.32 )	15.80	99
15+15+25+35+35+50	1.05	1.05	1.74	2.44	2.44	3.49	12.21 ( 3.50 - 13.50 )	3.59 ( 0.92 - 5.32 )	15.78	99
15+15+25+35+42+42	1.05	1.05	1.75	2.45	2.94	2.94	12.18 ( 3.50 - 13.50 )	3.59 ( 0.92 - 5.32 )	15.78	99
15+15+35+35+35+35	1.08	1.08	2.51	2.51	2.51	2.51	12.20 ( 3.50 - 13.50 )	3.60 ( 0.92 - 5.32 )	15.79	99
15+15+35+35+35+42	1.03	1.03	2.41	2.41	2.41	2.89	12.18 ( 3.50 - 13.50 )	3.59 ( 0.92 - 5.32 )	15.78	99
15+18+18+18+18+18	1.46	1.75	1.75	1.75	1.75	1.75	10.21 ( 3.50 - 12.50 )	2.86 ( 0.96 - 5.63 )	12.58	99
15+18+18+18+18+20	1.46	1.75	1.75	1.75	1.75	1.94	10.40 ( 3.50 - 12.50 )	2.95 ( 0.96 - 5.63 )	12.98	99
15+18+18+18+18+22	1.44	1.73	1.73	1.73	1.73	2.12	10.48 ( 3.50 - 12.50 )	3.05 ( 0.96 - 5.63 )	13.37	99
15+18+18+18+18+25	1.45	1.74	1.74	1.74	1.74	2.41	10.82 ( 3.50 - 13.40 )	3.18 ( 0.93 - 5.40 )	13.99	99
15+18+18+18+18+35	1.41	1.70	1.70	1.70	1.70	3.30	11.51 ( 3.50 - 12.90 )	3.54 ( 0.95 - 5.56 )	15.55	99
15+18+18+18+18+42	1.38	1.66	1.66	1.66	1.66	3.87	11.89 ( 3.50 - 13.40 )	3.62 ( 0.93 - 5.40 )	15.88	99
15+18+18+18+18+50	1.32	1.59	1.59	1.59	1.59	4.42	12.10 ( 3.50 - 13.50 )	3.63 ( 0.92 - 5.35 )	15.93	99
15+18+18+18+18+60	1.24	1.49	1.49	1.49	1.49	4.98	12.18 ( 3.50 - 13.50 )	3.61 ( 0.92 - 5.33 )	15.85	99
15+18+18+18+18+71	1.16	1.39	1.39	1.39	1.39	5.48	12.20 ( 3.50 - 13.50 )	3.60 ( 0.92 - 5.32 )	15.82	99
15+18+18+18+20+20	1.44	1.73	1.73	1.73	1.93	1.93	10.49 ( 3.50 - 12.50 )	3.05 ( 0.96 - 5.63 )	13.37	99
15+18+18+18+20+22	1.45	1.74	1.74	1.74	1.93	2.12	10.72 ( 3.50 - 12.60 )	3.14 ( 0.96 - 5.65 )	13.78	99

# MXZ-6D122VA COOLING

Indoor units combination	Cooling Capacity (kW)							Outdoor unit power consumption (kW)	Current (A)	Power factor (%)
	Unit A	Unit B	Unit C	Unit D	Unit E	Unit F	Total			
15+18+18+18+20+25	1.43	1.72	1.72	1.72	1.91	2.39	10.89 ( 3.50 - 12.60 )	3.28 ( 0.96 - 5.65 )	14.39	99
15+18+18+18+20+35	1.40	1.68	1.68	1.68	1.87	3.27	11.58 ( 3.50 - 13.10 )	3.56 ( 0.95 - 5.49 )	15.64	99
15+18+18+18+20+42	1.37	1.65	1.65	1.65	1.83	3.85	12.00 ( 3.50 - 13.50 )	3.64 ( 0.92 - 5.37 )	15.97	99
15+18+18+18+20+50	1.32	1.58	1.58	1.58	1.76	4.39	12.21 ( 3.50 - 13.50 )	3.62 ( 0.92 - 5.35 )	15.91	99
15+18+18+18+20+60	1.23	1.47	1.47	1.47	1.64	4.91	12.19 ( 3.50 - 13.50 )	3.61 ( 0.92 - 5.32 )	15.84	99
15+18+18+18+20+71	1.14	1.37	1.37	1.37	1.53	5.41	12.19 ( 3.50 - 13.50 )	3.60 ( 0.92 - 5.32 )	15.81	99
15+18+18+18+22+22	1.44	1.73	1.73	1.73	2.11	2.11	10.85 ( 3.50 - 13.10 )	3.23 ( 0.95 - 5.49 )	14.19	99
15+18+18+18+22+25	1.44	1.72	1.72	1.72	2.11	2.39	11.10 ( 3.50 - 12.60 )	3.37 ( 0.96 - 5.65 )	14.80	99
15+18+18+18+22+35	1.39	1.67	1.67	1.67	2.04	3.25	11.69 ( 3.50 - 13.20 )	3.58 ( 0.93 - 5.46 )	15.74	99
15+18+18+18+22+42	1.35	1.62	1.62	1.62	1.98	3.79	11.98 ( 3.50 - 13.50 )	3.63 ( 0.92 - 5.36 )	15.95	99
15+18+18+18+22+50	1.30	1.56	1.56	1.56	1.90	4.33	12.21 ( 3.50 - 13.50 )	3.62 ( 0.92 - 5.34 )	15.90	99
15+18+18+18+22+60	1.21	1.45	1.45	1.45	1.78	4.85	12.19 ( 3.50 - 13.50 )	3.60 ( 0.92 - 5.32 )	15.83	99
15+18+18+18+22+71	1.13	1.36	1.36	1.36	1.66	5.35	12.22 ( 3.50 - 13.50 )	3.60 ( 0.92 - 5.32 )	15.81	99
15+18+18+18+25+25	1.42	1.71	1.71	1.71	2.37	2.37	11.29 ( 3.50 - 12.60 )	3.51 ( 0.96 - 5.65 )	15.41	99
15+18+18+18+25+35	1.38	1.66	1.66	1.66	2.31	3.23	11.90 ( 3.50 - 13.40 )	3.62 ( 0.93 - 5.40 )	15.88	99
15+18+18+18+25+42	1.33	1.60	1.60	1.60	2.22	3.74	12.09 ( 3.50 - 13.50 )	3.63 ( 0.92 - 5.36 )	15.93	99
15+18+18+18+25+50	1.27	1.53	1.53	1.53	2.12	4.24	12.22 ( 3.50 - 13.50 )	3.62 ( 0.92 - 5.33 )	15.88	99
15+18+18+18+25+60	1.19	1.43	1.43	1.43	1.98	4.75	12.21 ( 3.50 - 13.50 )	3.60 ( 0.92 - 5.32 )	15.83	99
15+18+18+18+25+71	1.11	1.33	1.33	1.33	1.85	5.25	12.20 ( 3.50 - 13.50 )	3.60 ( 0.92 - 5.32 )	15.80	99
15+18+18+18+35+35	1.32	1.58	1.58	1.58	3.07	3.07	12.20 ( 3.50 - 13.50 )	3.62 ( 0.92 - 5.35 )	15.91	99
15+18+18+18+35+42	1.25	1.50	1.50	1.50	2.92	3.51	12.18 ( 3.50 - 13.50 )	3.61 ( 0.92 - 5.33 )	15.86	99
15+18+18+18+35+50	1.19	1.43	1.43	1.43	2.77	3.96	12.21 ( 3.50 - 13.50 )	3.60 ( 0.92 - 5.32 )	15.83	99
15+18+18+18+35+60	1.12	1.34	1.34	1.34	2.60	4.46	12.20 ( 3.50 - 13.50 )	3.60 ( 0.92 - 5.32 )	15.81	99
15+18+18+18+35+71	1.05	1.25	1.25	1.25	2.44	4.95	12.19 ( 3.50 - 13.50 )	3.59 ( 0.92 - 5.32 )	15.78	99
15+18+18+18+42+42	1.20	1.44	1.44	1.44	3.35	3.35	12.22 ( 3.50 - 13.50 )	3.60 ( 0.92 - 5.32 )	15.83	99
15+18+18+18+42+50	1.14	1.36	1.36	1.36	3.18	3.79	12.19 ( 3.50 - 13.50 )	3.60 ( 0.92 - 5.32 )	15.81	99
15+18+18+18+42+60	1.07	1.28	1.28	1.28	3.00	4.28	12.19 ( 3.50 - 13.50 )	3.60 ( 0.92 - 5.32 )	15.79	99
15+18+18+18+50+50	1.08	1.30	1.30	1.30	3.61	3.61	12.20 ( 3.50 - 13.50 )	3.60 ( 0.92 - 5.32 )	15.79	99
15+18+18+18+50+60	1.02	1.23	1.23	1.23	3.41	4.09	12.21 ( 3.50 - 13.50 )	3.59 ( 0.92 - 5.32 )	15.77	99
15+18+18+20+20+20	1.45	1.74	1.74	1.93	1.93	1.93	10.72 ( 3.50 - 12.60 )	3.14 ( 0.96 - 5.65 )	13.78	99
15+18+18+20+20+22	1.44	1.73	1.73	1.92	1.92	2.11	10.85 ( 3.50 - 13.10 )	3.23 ( 0.95 - 5.49 )	14.19	99
15+18+18+20+20+25	1.44	1.72	1.72	1.91	1.91	2.39	11.09 ( 3.50 - 12.60 )	3.37 ( 0.96 - 5.65 )	14.80	99
15+18+18+20+20+35	1.39	1.67	1.67	1.86	1.86	3.25	11.70 ( 3.50 - 13.20 )	3.58 ( 0.93 - 5.46 )	15.74	99
15+18+18+20+20+42	1.35	1.62	1.62	1.80	1.80	3.79	11.98 ( 3.50 - 13.50 )	3.63 ( 0.92 - 5.36 )	15.95	99
15+18+18+20+20+50	1.30	1.56	1.56	1.73	1.73	4.33	12.21 ( 3.50 - 13.50 )	3.62 ( 0.92 - 5.34 )	15.90	99
15+18+18+20+20+60	1.21	1.45	1.45	1.62	1.62	4.85	12.20 ( 3.50 - 13.50 )	3.60 ( 0.92 - 5.32 )	15.83	99

# MXZ-6D122VA COOLING

Indoor units combination	Cooling Capacity (kW)							Outdoor unit power consumption (kW)	Current (A)	Power factor (%)
	Unit A	Unit B	Unit C	Unit D	Unit E	Unit F	Total			
15+18+18+20+20+71	1.13	1.36	1.36	1.51	1.51	5.35	12.22 ( 3.50 - 13.50 )	3.60 ( 0.92 - 5.32 )	15.81	99
15+18+18+20+22+22	1.43	1.72	1.72	1.91	2.10	2.10	10.98 ( 3.50 - 12.60 )	3.32 ( 0.96 - 5.65 )	14.60	99
15+18+18+20+22+25	1.42	1.71	1.71	1.90	2.09	2.37	11.20 ( 3.50 - 12.60 )	3.46 ( 0.96 - 5.65 )	15.21	99
15+18+18+20+22+35	1.38	1.66	1.66	1.84	2.03	3.23	11.80 ( 3.50 - 13.40 )	3.60 ( 0.93 - 5.40 )	15.83	99
15+18+18+20+22+42	1.34	1.61	1.61	1.79	1.97	3.76	12.08 ( 3.50 - 13.50 )	3.63 ( 0.92 - 5.36 )	15.94	99
15+18+18+20+22+50	1.28	1.54	1.54	1.71	1.88	4.27	12.22 ( 3.50 - 13.50 )	3.62 ( 0.92 - 5.34 )	15.89	99
15+18+18+20+22+60	1.20	1.44	1.44	1.59	1.75	4.78	12.20 ( 3.50 - 13.50 )	3.60 ( 0.92 - 5.32 )	15.83	99
15+18+18+20+22+71	1.12	1.34	1.34	1.49	1.64	5.28	12.21 ( 3.50 - 13.50 )	3.60 ( 0.92 - 5.32 )	15.81	99
15+18+18+20+25+25	1.43	1.71	1.71	1.90	2.38	2.38	11.51 ( 3.50 - 12.80 )	3.53 ( 0.96 - 5.59 )	15.50	99
15+18+18+20+25+35	1.37	1.65	1.65	1.83	2.29	3.21	12.00 ( 3.50 - 13.50 )	3.64 ( 0.92 - 5.37 )	15.97	99
15+18+18+20+25+42	1.33	1.59	1.59	1.77	2.21	3.71	12.20 ( 3.50 - 13.50 )	3.62 ( 0.92 - 5.35 )	15.92	99
15+18+18+20+25+50	1.25	1.50	1.50	1.67	2.09	4.18	12.19 ( 3.50 - 13.50 )	3.61 ( 0.92 - 5.33 )	15.86	99
15+18+18+20+25+60	1.17	1.41	1.41	1.56	1.96	4.69	12.20 ( 3.50 - 13.50 )	3.60 ( 0.92 - 5.32 )	15.82	99
15+18+18+20+25+71	1.10	1.31	1.31	1.46	1.83	5.19	12.20 ( 3.50 - 13.50 )	3.60 ( 0.92 - 5.32 )	15.80	99
15+18+18+20+35+35	1.30	1.56	1.56	1.73	3.03	3.03	12.21 ( 3.50 - 13.50 )	3.62 ( 0.92 - 5.34 )	15.90	99
15+18+18+20+35+42	1.24	1.48	1.48	1.65	2.89	3.46	12.20 ( 3.50 - 13.50 )	3.61 ( 0.92 - 5.32 )	15.85	99
15+18+18+20+35+50	1.17	1.41	1.41	1.56	2.74	3.91	12.20 ( 3.50 - 13.50 )	3.60 ( 0.92 - 5.32 )	15.82	99
15+18+18+20+35+60	1.10	1.32	1.32	1.47	2.57	4.41	12.19 ( 3.50 - 13.50 )	3.60 ( 0.92 - 5.32 )	15.80	99
15+18+18+20+35+71	1.03	1.24	1.24	1.38	2.41	4.89	12.19 ( 3.50 - 13.50 )	3.59 ( 0.92 - 5.32 )	15.78	99
15+18+18+20+42+42	1.18	1.42	1.42	1.57	3.31	3.31	12.21 ( 3.50 - 13.50 )	3.60 ( 0.92 - 5.32 )	15.82	99
15+18+18+20+42+50	1.12	1.35	1.35	1.50	3.14	3.74	12.20 ( 3.50 - 13.50 )	3.60 ( 0.92 - 5.32 )	15.81	99
15+18+18+20+42+60	1.06	1.27	1.27	1.41	2.96	4.23	12.20 ( 3.50 - 13.50 )	3.59 ( 0.92 - 5.32 )	15.79	99
15+18+18+20+50+50	1.07	1.28	1.28	1.43	3.57	3.57	12.20 ( 3.50 - 13.50 )	3.60 ( 0.92 - 5.32 )	15.79	99
15+18+18+22+22+22	1.44	1.72	1.72	2.11	2.11	2.11	11.21 ( 3.50 - 12.60 )	3.42 ( 0.96 - 5.65 )	15.00	99
15+18+18+22+22+25	1.43	1.71	1.71	2.09	2.09	2.38	11.41 ( 3.50 - 12.80 )	3.52 ( 0.96 - 5.59 )	15.46	99
15+18+18+22+22+35	1.37	1.65	1.65	2.01	2.01	3.20	11.89 ( 3.50 - 13.50 )	3.63 ( 0.92 - 5.37 )	15.92	99
15+18+18+22+22+42	1.32	1.59	1.59	1.94	1.94	3.71	12.09 ( 3.50 - 13.50 )	3.63 ( 0.92 - 5.35 )	15.93	99
15+18+18+22+22+50	1.26	1.51	1.51	1.85	1.85	4.21	12.19 ( 3.50 - 13.50 )	3.61 ( 0.92 - 5.33 )	15.87	99
15+18+18+22+22+60	1.18	1.42	1.42	1.73	1.73	4.72	12.20 ( 3.50 - 13.50 )	3.60 ( 0.92 - 5.32 )	15.82	99
15+18+18+22+22+71	1.10	1.32	1.32	1.62	1.62	5.22	12.20 ( 3.50 - 13.50 )	3.60 ( 0.92 - 5.32 )	15.80	99
15+18+18+22+25+25	1.41	1.70	1.70	2.07	2.36	2.36	11.60 ( 3.50 - 12.90 )	3.55 ( 0.95 - 5.56 )	15.60	99
15+18+18+22+25+35	1.35	1.62	1.62	1.98	2.26	3.16	11.99 ( 3.50 - 13.50 )	3.63 ( 0.92 - 5.36 )	15.95	99
15+18+18+22+25+42	1.31	1.57	1.57	1.92	2.18	3.66	12.21 ( 3.50 - 13.50 )	3.62 ( 0.92 - 5.35 )	15.91	99
15+18+18+22+25+50	1.24	1.48	1.48	1.81	2.06	4.12	12.19 ( 3.50 - 13.50 )	3.61 ( 0.92 - 5.32 )	15.85	99
15+18+18+22+25+60	1.16	1.39	1.39	1.70	1.93	4.63	12.20 ( 3.50 - 13.50 )	3.60 ( 0.92 - 5.32 )	15.82	99
15+18+18+22+25+71	1.08	1.30	1.30	1.59	1.80	5.13	12.20 ( 3.50 - 13.50 )	3.60 ( 0.92 - 5.32 )	15.79	99

# MXZ-6D122VA COOLING

Indoor units combination	Cooling Capacity (kW)							Outdoor unit power consumption (kW)	Current (A)	Power factor (%)
	Unit A	Unit B	Unit C	Unit D	Unit E	Unit F	Total			
15+18+18+22+35+35	1.28	1.54	1.54	1.88	2.99	2.99	12.22 ( 3.50 - 13.50 )	3.62 ( 0.92 - 5.34 )	15.89	99
15+18+18+22+35+42	1.22	1.46	1.46	1.79	2.85	3.42	12.20 ( 3.50 - 13.50 )	3.61 ( 0.92 - 5.32 )	15.83	99
15+18+18+22+35+50	1.16	1.39	1.39	1.70	2.70	3.86	12.20 ( 3.50 - 13.50 )	3.60 ( 0.92 - 5.32 )	15.82	99
15+18+18+22+35+60	1.09	1.31	1.31	1.60	2.54	4.36	12.21 ( 3.50 - 13.50 )	3.60 ( 0.92 - 5.32 )	15.79	99
15+18+18+22+35+71	1.02	1.23	1.23	1.50	2.39	4.84	12.21 ( 3.50 - 13.50 )	3.59 ( 0.92 - 5.32 )	15.77	99
15+18+18+22+42+42	1.17	1.40	1.40	1.71	3.26	3.26	12.20 ( 3.50 - 13.50 )	3.60 ( 0.92 - 5.32 )	15.82	99
15+18+18+22+42+50	1.11	1.33	1.33	1.63	3.11	3.70	12.21 ( 3.50 - 13.50 )	3.60 ( 0.92 - 5.32 )	15.80	99
15+18+18+22+42+60	1.05	1.25	1.25	1.53	2.93	4.18	12.19 ( 3.50 - 13.50 )	3.59 ( 0.92 - 5.32 )	15.78	99
15+18+18+22+50+50	1.06	1.27	1.27	1.55	3.53	3.53	12.21 ( 3.50 - 13.50 )	3.59 ( 0.92 - 5.32 )	15.79	99
15+18+18+25+25+25	1.39	1.67	1.67	2.32	2.32	2.32	11.69 ( 3.50 - 13.20 )	3.58 ( 0.93 - 5.46 )	15.74	99
15+18+18+25+25+35	1.33	1.60	1.60	2.22	2.22	3.11	12.08 ( 3.50 - 13.50 )	3.63 ( 0.92 - 5.36 )	15.93	99
15+18+18+25+25+42	1.28	1.54	1.54	2.13	2.13	3.58	12.20 ( 3.50 - 13.50 )	3.62 ( 0.92 - 5.34 )	15.89	99
15+18+18+25+25+50	1.21	1.45	1.45	2.02	2.02	4.04	12.19 ( 3.50 - 13.50 )	3.60 ( 0.92 - 5.32 )	15.83	99
15+18+18+25+25+60	1.14	1.36	1.36	1.89	1.89	4.55	12.19 ( 3.50 - 13.50 )	3.60 ( 0.92 - 5.32 )	15.81	99
15+18+18+25+25+71	1.06	1.28	1.28	1.77	1.77	5.04	12.20 ( 3.50 - 13.50 )	3.59 ( 0.92 - 5.32 )	15.79	99
15+18+18+25+35+35	1.25	1.50	1.50	2.09	2.92	2.92	12.18 ( 3.50 - 13.50 )	3.61 ( 0.92 - 5.33 )	15.86	99
15+18+18+25+35+42	1.20	1.44	1.44	1.99	2.79	3.35	12.21 ( 3.50 - 13.50 )	3.60 ( 0.92 - 5.32 )	15.83	99
15+18+18+25+35+50	1.14	1.36	1.36	1.89	2.65	3.79	12.19 ( 3.50 - 13.50 )	3.60 ( 0.92 - 5.32 )	15.81	99
15+18+18+25+35+60	1.07	1.28	1.28	1.78	2.50	4.28	12.19 ( 3.50 - 13.50 )	3.60 ( 0.92 - 5.32 )	15.79	99
15+18+18+25+42+42	1.14	1.37	1.37	1.91	3.20	3.20	12.19 ( 3.50 - 13.50 )	3.60 ( 0.92 - 5.32 )	15.81	99
15+18+18+25+42+50	1.09	1.31	1.31	1.82	3.05	3.63	12.21 ( 3.50 - 13.50 )	3.60 ( 0.92 - 5.32 )	15.79	99
15+18+18+25+42+60	1.03	1.23	1.23	1.71	2.88	4.11	12.19 ( 3.50 - 13.50 )	3.59 ( 0.92 - 5.32 )	15.77	99
15+18+18+25+50+50	1.04	1.25	1.25	1.73	3.47	3.47	12.21 ( 3.50 - 13.50 )	3.59 ( 0.92 - 5.32 )	15.78	99
15+18+18+35+35+35	1.17	1.41	1.41	2.74	2.74	2.74	12.21 ( 3.50 - 13.50 )	3.60 ( 0.92 - 5.32 )	15.82	99
15+18+18+35+35+42	1.12	1.35	1.35	2.62	2.62	3.14	12.20 ( 3.50 - 13.50 )	3.60 ( 0.92 - 5.32 )	15.81	99
15+18+18+35+35+50	1.07	1.28	1.28	2.50	2.50	3.57	12.20 ( 3.50 - 13.50 )	3.60 ( 0.92 - 5.32 )	15.79	99
15+18+18+35+42+42	1.08	1.29	1.29	2.51	3.01	3.01	12.19 ( 3.50 - 13.50 )	3.60 ( 0.92 - 5.32 )	15.79	99
15+18+18+35+42+50	1.03	1.23	1.23	2.40	2.88	3.43	12.20 ( 3.50 - 13.50 )	3.59 ( 0.92 - 5.32 )	15.77	99
15+18+18+42+42+42	1.03	1.24	1.24	2.89	2.89	2.89	12.18 ( 3.50 - 13.50 )	3.59 ( 0.92 - 5.32 )	15.78	99
15+18+20+20+20+20	1.44	1.73	1.92	1.92	1.92	1.92	10.85 ( 3.50 - 13.10 )	3.23 ( 0.95 - 5.49 )	14.19	99
15+18+20+20+20+22	1.43	1.72	1.91	1.91	1.91	2.10	10.98 ( 3.50 - 12.60 )	3.32 ( 0.96 - 5.65 )	14.60	99
15+18+20+20+20+25	1.42	1.71	1.90	1.90	1.90	2.37	11.20 ( 3.50 - 12.60 )	3.46 ( 0.96 - 5.65 )	15.21	99
15+18+20+20+20+35	1.38	1.66	1.84	1.84	1.84	3.23	11.79 ( 3.50 - 13.40 )	3.60 ( 0.93 - 5.40 )	15.83	99
15+18+20+20+20+42	1.34	1.61	1.79	1.79	1.79	3.76	12.08 ( 3.50 - 13.50 )	3.63 ( 0.92 - 5.36 )	15.94	99
15+18+20+20+20+50	1.28	1.54	1.71	1.71	1.71	4.27	12.22 ( 3.50 - 13.50 )	3.62 ( 0.92 - 5.34 )	15.89	99
15+18+20+20+20+60	1.20	1.44	1.59	1.59	1.59	4.78	12.19 ( 3.50 - 13.50 )	3.60 ( 0.92 - 5.32 )	15.83	99

# MXZ-6D122VA COOLING

Indoor units combination	Cooling Capacity (kW)							Outdoor unit power consumption (kW)	Current (A)	Power factor (%)
	Unit A	Unit B	Unit C	Unit D	Unit E	Unit F	Total			
15+18+20+20+20+71	1.12	1.34	1.49	1.49	1.49	5.28	12.21 ( 3.50 - 13.50 )	3.60 ( 0.92 - 5.32 )	15.81	99
15+18+20+20+22+22	1.44	1.72	1.91	1.91	2.11	2.11	11.20 ( 3.50 - 12.60 )	3.42 ( 0.96 - 5.65 )	15.00	99
15+18+20+20+22+25	1.43	1.71	1.90	1.90	2.09	2.38	11.41 ( 3.50 - 12.80 )	3.52 ( 0.96 - 5.59 )	15.46	99
15+18+20+20+22+35	1.37	1.65	1.83	1.83	2.01	3.20	11.89 ( 3.50 - 13.50 )	3.63 ( 0.92 - 5.37 )	15.92	99
15+18+20+20+22+42	1.32	1.59	1.77	1.77	1.94	3.71	12.10 ( 3.50 - 13.50 )	3.63 ( 0.92 - 5.35 )	15.93	99
15+18+20+20+22+50	1.26	1.51	1.68	1.68	1.85	4.21	12.19 ( 3.50 - 13.50 )	3.61 ( 0.92 - 5.33 )	15.87	99
15+18+20+20+22+60	1.18	1.42	1.57	1.57	1.73	4.72	12.19 ( 3.50 - 13.50 )	3.60 ( 0.92 - 5.32 )	15.82	99
15+18+20+20+22+71	1.10	1.32	1.47	1.47	1.62	5.22	12.20 ( 3.50 - 13.50 )	3.60 ( 0.92 - 5.32 )	15.80	99
15+18+20+20+25+25	1.41	1.70	1.89	1.89	2.36	2.36	11.61 ( 3.50 - 12.90 )	3.55 ( 0.95 - 5.56 )	15.60	99
15+18+20+20+25+35	1.35	1.62	1.80	1.80	2.26	3.16	11.99 ( 3.50 - 13.50 )	3.63 ( 0.92 - 5.36 )	15.95	99
15+18+20+20+25+42	1.31	1.57	1.74	1.74	2.18	3.66	12.20 ( 3.50 - 13.50 )	3.62 ( 0.92 - 5.35 )	15.91	99
15+18+20+20+25+50	1.24	1.48	1.65	1.65	2.06	4.12	12.20 ( 3.50 - 13.50 )	3.61 ( 0.92 - 5.32 )	15.85	99
15+18+20+20+25+60	1.16	1.39	1.54	1.54	1.93	4.63	12.19 ( 3.50 - 13.50 )	3.60 ( 0.92 - 5.32 )	15.82	99
15+18+20+20+25+71	1.08	1.30	1.44	1.44	1.80	5.13	12.19 ( 3.50 - 13.50 )	3.60 ( 0.92 - 5.32 )	15.79	99
15+18+20+20+35+35	1.28	1.54	1.71	1.71	2.99	2.99	12.22 ( 3.50 - 13.50 )	3.62 ( 0.92 - 5.34 )	15.89	99
15+18+20+20+35+42	1.22	1.46	1.63	1.63	2.85	3.42	12.21 ( 3.50 - 13.50 )	3.61 ( 0.92 - 5.32 )	15.83	99
15+18+20+20+35+50	1.16	1.39	1.54	1.54	2.70	3.86	12.19 ( 3.50 - 13.50 )	3.60 ( 0.92 - 5.32 )	15.82	99
15+18+20+20+35+60	1.09	1.31	1.45	1.45	2.54	4.36	12.20 ( 3.50 - 13.50 )	3.60 ( 0.92 - 5.32 )	15.79	99
15+18+20+20+35+71	1.02	1.23	1.36	1.36	2.39	4.84	12.20 ( 3.50 - 13.50 )	3.59 ( 0.92 - 5.32 )	15.77	99
15+18+20+20+42+42	1.17	1.40	1.55	1.55	3.26	3.26	12.19 ( 3.50 - 13.50 )	3.60 ( 0.92 - 5.32 )	15.82	99
15+18+20+20+42+50	1.11	1.33	1.48	1.48	3.11	3.70	12.21 ( 3.50 - 13.50 )	3.60 ( 0.92 - 5.32 )	15.80	99
15+18+20+20+42+60	1.05	1.25	1.39	1.39	2.93	4.18	12.19 ( 3.50 - 13.50 )	3.59 ( 0.92 - 5.32 )	15.78	99
15+18+20+20+50+50	1.06	1.27	1.41	1.41	3.53	3.53	12.21 ( 3.50 - 13.50 )	3.59 ( 0.92 - 5.32 )	15.79	99
15+18+20+22+22+22	1.42	1.71	1.90	2.09	2.09	2.09	11.30 ( 3.50 - 12.60 )	3.51 ( 0.96 - 5.65 )	15.41	99
15+18+20+22+22+25	1.41	1.70	1.89	2.07	2.07	2.36	11.50 ( 3.50 - 12.90 )	3.54 ( 0.95 - 5.56 )	15.55	99
15+18+20+22+22+35	1.36	1.64	1.82	2.00	2.00	3.18	12.00 ( 3.50 - 13.50 )	3.63 ( 0.92 - 5.37 )	15.96	99
15+18+20+22+22+42	1.32	1.58	1.76	1.93	1.93	3.69	12.21 ( 3.50 - 13.50 )	3.62 ( 0.92 - 5.35 )	15.91	99
15+18+20+22+22+50	1.24	1.49	1.66	1.83	1.83	4.15	12.20 ( 3.50 - 13.50 )	3.61 ( 0.92 - 5.33 )	15.85	99
15+18+20+22+22+60	1.17	1.40	1.55	1.71	1.71	4.66	12.20 ( 3.50 - 13.50 )	3.60 ( 0.92 - 5.32 )	15.82	99
15+18+20+22+22+71	1.09	1.31	1.45	1.60	1.60	5.16	12.21 ( 3.50 - 13.50 )	3.60 ( 0.92 - 5.32 )	15.79	99
15+18+20+22+25+25	1.40	1.68	1.87	2.06	2.34	2.34	11.69 ( 3.50 - 13.10 )	3.57 ( 0.95 - 5.49 )	15.69	99
15+18+20+22+25+35	1.34	1.61	1.79	1.97	2.24	3.14	12.09 ( 3.50 - 13.50 )	3.63 ( 0.92 - 5.36 )	15.94	99
15+18+20+22+25+42	1.29	1.55	1.72	1.89	2.15	3.61	12.21 ( 3.50 - 13.50 )	3.62 ( 0.92 - 5.34 )	15.89	99
15+18+20+22+25+50	1.22	1.46	1.63	1.79	2.03	4.07	12.20 ( 3.50 - 13.50 )	3.61 ( 0.92 - 5.32 )	15.83	99
15+18+20+22+25+60	1.14	1.37	1.53	1.68	1.91	4.58	12.21 ( 3.50 - 13.50 )	3.60 ( 0.92 - 5.32 )	15.81	99
15+18+20+22+25+71	1.07	1.28	1.43	1.57	1.78	5.07	12.20 ( 3.50 - 13.50 )	3.60 ( 0.92 - 5.32 )	15.79	99



# MXZ-6D122VA COOLING

Indoor units combination	Cooling Capacity (kW)							Outdoor unit power consumption (kW)	Current (A)	Power factor (%)
	Unit A	Unit B	Unit C	Unit D	Unit E	Unit F	Total			
15+18+20+22+35+35	1.26	1.51	1.68	1.85	2.94	2.94	12.18 ( 3.50 - 13.50 )	3.61 ( 0.92 - 5.33 )	15.87	99
15+18+20+22+35+42	1.20	1.44	1.61	1.77	2.81	3.37	12.20 ( 3.50 - 13.50 )	3.60 ( 0.92 - 5.32 )	15.83	99
15+18+20+22+35+50	1.14	1.37	1.53	1.68	2.67	3.81	12.20 ( 3.50 - 13.50 )	3.60 ( 0.92 - 5.32 )	15.81	99
15+18+20+22+35+60	1.08	1.29	1.44	1.58	2.51	4.31	12.21 ( 3.50 - 13.50 )	3.60 ( 0.92 - 5.32 )	15.79	99
15+18+20+22+42+42	1.15	1.38	1.53	1.69	3.22	3.22	12.19 ( 3.50 - 13.50 )	3.60 ( 0.92 - 5.32 )	15.81	99
15+18+20+22+42+50	1.10	1.31	1.46	1.61	3.07	3.65	12.20 ( 3.50 - 13.50 )	3.60 ( 0.92 - 5.32 )	15.80	99
15+18+20+22+42+60	1.03	1.24	1.38	1.52	2.89	4.14	12.20 ( 3.50 - 13.50 )	3.59 ( 0.92 - 5.32 )	15.78	99
15+18+20+22+50+50	1.05	1.25	1.39	1.53	3.49	3.49	12.20 ( 3.50 - 13.50 )	3.59 ( 0.92 - 5.32 )	15.78	99
15+18+20+25+25+25	1.38	1.66	1.84	2.30	2.30	2.30	11.78 ( 3.50 - 13.40 )	3.60 ( 0.93 - 5.40 )	15.83	99
15+18+20+25+25+35	1.33	1.59	1.77	2.21	2.21	3.09	12.20 ( 3.50 - 13.50 )	3.62 ( 0.92 - 5.35 )	15.92	99
15+18+20+25+25+42	1.26	1.51	1.68	2.10	2.10	3.53	12.18 ( 3.50 - 13.50 )	3.61 ( 0.92 - 5.33 )	15.87	99
15+18+20+25+25+50	1.20	1.44	1.59	1.99	1.99	3.99	12.20 ( 3.50 - 13.50 )	3.60 ( 0.92 - 5.32 )	15.83	99
15+18+20+25+25+60	1.12	1.35	1.50	1.87	1.87	4.49	12.20 ( 3.50 - 13.50 )	3.60 ( 0.92 - 5.32 )	15.81	99
15+18+20+25+25+71	1.05	1.26	1.40	1.75	1.75	4.98	12.19 ( 3.50 - 13.50 )	3.59 ( 0.92 - 5.32 )	15.78	99
15+18+20+25+35+35	1.24	1.48	1.65	2.06	2.89	2.89	12.21 ( 3.50 - 13.50 )	3.61 ( 0.92 - 5.32 )	15.85	99
15+18+20+25+35+42	1.18	1.42	1.57	1.97	2.75	3.31	12.20 ( 3.50 - 13.50 )	3.60 ( 0.92 - 5.32 )	15.82	99
15+18+20+25+35+50	1.12	1.35	1.50	1.87	2.62	3.74	12.20 ( 3.50 - 13.50 )	3.60 ( 0.92 - 5.32 )	15.81	99
15+18+20+25+35+60	1.06	1.27	1.41	1.76	2.47	4.23	12.20 ( 3.50 - 13.50 )	3.59 ( 0.92 - 5.32 )	15.79	99
15+18+20+25+42+42	1.13	1.36	1.51	1.88	3.16	3.16	12.20 ( 3.50 - 13.50 )	3.60 ( 0.92 - 5.32 )	15.81	99
15+18+20+25+42+50	1.08	1.29	1.44	1.79	3.01	3.59	12.20 ( 3.50 - 13.50 )	3.60 ( 0.92 - 5.32 )	15.79	99
15+18+20+25+42+60	1.02	1.22	1.36	1.69	2.85	4.07	12.21 ( 3.50 - 13.50 )	3.59 ( 0.92 - 5.32 )	15.77	99
15+18+20+25+50+50	1.03	1.23	1.37	1.71	3.43	3.43	12.20 ( 3.50 - 13.50 )	3.59 ( 0.92 - 5.32 )	15.77	99
15+18+20+35+35+35	1.16	1.39	1.54	2.70	2.70	2.70	12.19 ( 3.50 - 13.50 )	3.60 ( 0.92 - 5.32 )	15.82	99
15+18+20+35+35+42	1.11	1.33	1.48	2.59	2.59	3.11	12.21 ( 3.50 - 13.50 )	3.60 ( 0.92 - 5.32 )	15.80	99
15+18+20+35+35+50	1.06	1.27	1.41	2.47	2.47	3.53	12.21 ( 3.50 - 13.50 )	3.59 ( 0.92 - 5.32 )	15.79	99
15+18+20+35+42+42	1.06	1.28	1.42	2.48	2.98	2.98	12.20 ( 3.50 - 13.50 )	3.59 ( 0.92 - 5.32 )	15.79	99
15+18+20+35+42+50	1.02	1.22	1.36	2.37	2.85	3.39	12.21 ( 3.50 - 13.50 )	3.59 ( 0.92 - 5.32 )	15.77	99
15+18+20+42+42+42	1.02	1.23	1.36	2.86	2.86	2.86	12.19 ( 3.50 - 13.50 )	3.59 ( 0.92 - 5.32 )	15.77	99
15+18+22+22+22+22	1.43	1.71	2.09	2.09	2.09	2.09	11.50 ( 3.50 - 12.80 )	3.53 ( 0.96 - 5.59 )	15.50	99
15+18+22+22+22+25	1.40	1.68	2.06	2.06	2.06	2.34	11.60 ( 3.50 - 13.10 )	3.56 ( 0.95 - 5.49 )	15.64	99
15+18+22+22+22+35	1.35	1.63	1.99	1.99	1.99	3.16	12.11 ( 3.50 - 13.50 )	3.63 ( 0.92 - 5.36 )	15.95	99
15+18+22+22+22+42	1.30	1.56	1.90	1.90	1.90	3.63	12.19 ( 3.50 - 13.50 )	3.62 ( 0.92 - 5.34 )	15.90	99
15+18+22+22+22+50	1.23	1.47	1.80	1.80	1.80	4.09	12.19 ( 3.50 - 13.50 )	3.61 ( 0.92 - 5.32 )	15.84	99
15+18+22+22+22+60	1.15	1.38	1.69	1.69	1.69	4.60	12.20 ( 3.50 - 13.50 )	3.60 ( 0.92 - 5.32 )	15.81	99
15+18+22+22+22+71	1.08	1.29	1.58	1.58	1.58	5.10	12.21 ( 3.50 - 13.50 )	3.60 ( 0.92 - 5.32 )	15.79	99
15+18+22+22+25+25	1.39	1.67	2.04	2.04	2.32	2.32	11.78 ( 3.50 - 13.20 )	3.59 ( 0.93 - 5.46 )	15.78	99

# MXZ-6D122VA COOLING

Indoor units combination	Cooling Capacity (kW)							Outdoor unit power consumption (kW)	Current (A)	Power factor (%)
	Unit A	Unit B	Unit C	Unit D	Unit E	Unit F	Total			
15+18+22+22+25+35	1.32	1.59	1.94	1.94	2.21	3.09	12.09 ( 3.50 - 13.50 )	3.63 ( 0.92 - 5.35 )	15.93	99
15+18+22+22+25+42	1.27	1.53	1.86	1.86	2.12	3.56	12.20 ( 3.50 - 13.50 )	3.62 ( 0.92 - 5.33 )	15.88	99
15+18+22+22+25+50	1.20	1.44	1.77	1.77	2.01	4.01	12.20 ( 3.50 - 13.50 )	3.60 ( 0.92 - 5.32 )	15.83	99
15+18+22+22+25+60	1.13	1.36	1.66	1.66	1.88	4.52	12.21 ( 3.50 - 13.50 )	3.60 ( 0.92 - 5.32 )	15.81	99
15+18+22+22+25+71	1.06	1.27	1.55	1.55	1.76	5.01	12.20 ( 3.50 - 13.50 )	3.59 ( 0.92 - 5.32 )	15.79	99
15+18+22+22+35+35	1.24	1.49	1.83	1.83	2.90	2.90	12.19 ( 3.50 - 13.50 )	3.61 ( 0.92 - 5.33 )	15.85	99
15+18+22+22+35+42	1.19	1.43	1.74	1.74	2.77	3.33	12.20 ( 3.50 - 13.50 )	3.60 ( 0.92 - 5.32 )	15.83	99
15+18+22+22+35+50	1.13	1.36	1.66	1.66	2.64	3.77	12.22 ( 3.50 - 13.50 )	3.60 ( 0.92 - 5.32 )	15.81	99
15+18+22+22+35+60	1.06	1.28	1.56	1.56	2.48	4.26	12.20 ( 3.50 - 13.50 )	3.59 ( 0.92 - 5.32 )	15.79	99
15+18+22+22+42+42	1.14	1.36	1.67	1.67	3.18	3.18	12.20 ( 3.50 - 13.50 )	3.60 ( 0.92 - 5.32 )	15.81	99
15+18+22+22+42+50	1.08	1.30	1.59	1.59	3.03	3.61	12.20 ( 3.50 - 13.50 )	3.60 ( 0.92 - 5.32 )	15.79	99
15+18+22+22+42+60	1.02	1.23	1.50	1.50	2.86	4.09	12.20 ( 3.50 - 13.50 )	3.59 ( 0.92 - 5.32 )	15.77	99
15+18+22+22+50+50	1.03	1.24	1.52	1.52	3.45	3.45	12.21 ( 3.50 - 13.50 )	3.59 ( 0.92 - 5.32 )	15.78	99
15+18+22+25+25+25	1.37	1.65	2.01	2.29	2.29	2.29	11.90 ( 3.50 - 13.50 )	3.63 ( 0.92 - 5.37 )	15.92	99
15+18+22+25+25+35	1.31	1.57	1.92	2.18	2.18	3.05	12.21 ( 3.50 - 13.50 )	3.62 ( 0.92 - 5.35 )	15.91	99
15+18+22+25+25+42	1.24	1.49	1.83	2.07	2.07	3.49	12.19 ( 3.50 - 13.50 )	3.61 ( 0.92 - 5.33 )	15.85	99
15+18+22+25+25+50	1.18	1.42	1.73	1.97	1.97	3.94	12.21 ( 3.50 - 13.50 )	3.60 ( 0.92 - 5.32 )	15.82	99
15+18+22+25+25+60	1.11	1.33	1.63	1.85	1.85	4.44	12.21 ( 3.50 - 13.50 )	3.60 ( 0.92 - 5.32 )	15.80	99
15+18+22+25+25+71	1.04	1.25	1.53	1.73	1.73	4.92	12.20 ( 3.50 - 13.50 )	3.59 ( 0.92 - 5.32 )	15.78	99
15+18+22+25+35+35	1.22	1.46	1.79	2.03	2.85	2.85	12.20 ( 3.50 - 13.50 )	3.61 ( 0.92 - 5.32 )	15.83	99
15+18+22+25+35+42	1.17	1.40	1.71	1.94	2.72	3.26	12.20 ( 3.50 - 13.50 )	3.60 ( 0.92 - 5.32 )	15.82	99
15+18+22+25+35+50	1.11	1.33	1.63	1.85	2.59	3.70	12.21 ( 3.50 - 13.50 )	3.60 ( 0.92 - 5.32 )	15.80	99
15+18+22+25+35+60	1.05	1.25	1.53	1.74	2.44	4.18	12.19 ( 3.50 - 13.50 )	3.59 ( 0.92 - 5.32 )	15.78	99
15+18+22+25+42+42	1.12	1.34	1.64	1.86	3.12	3.12	12.20 ( 3.50 - 13.50 )	3.60 ( 0.92 - 5.32 )	15.81	99
15+18+22+25+42+50	1.06	1.28	1.56	1.77	2.98	3.55	12.20 ( 3.50 - 13.50 )	3.59 ( 0.92 - 5.32 )	15.79	99
15+18+22+25+50+50	1.02	1.22	1.49	1.69	3.39	3.39	12.20 ( 3.50 - 13.50 )	3.59 ( 0.92 - 5.32 )	15.77	99
15+18+22+35+35+35	1.14	1.37	1.68	2.67	2.67	2.67	12.20 ( 3.50 - 13.50 )	3.60 ( 0.92 - 5.32 )	15.81	99
15+18+22+35+35+42	1.10	1.31	1.61	2.56	2.56	3.07	12.21 ( 3.50 - 13.50 )	3.60 ( 0.92 - 5.32 )	15.80	99
15+18+22+35+35+50	1.05	1.25	1.53	2.44	2.44	3.49	12.20 ( 3.50 - 13.50 )	3.59 ( 0.92 - 5.32 )	15.78	99
15+18+22+35+42+42	1.05	1.26	1.54	2.45	2.94	2.94	12.18 ( 3.50 - 13.50 )	3.59 ( 0.92 - 5.32 )	15.78	99
15+18+25+25+25+25	1.35	1.62	2.26	2.26	2.26	2.26	12.01 ( 3.50 - 13.50 )	3.63 ( 0.92 - 5.36 )	15.95	99
15+18+25+25+25+35	1.28	1.54	2.13	2.13	2.13	2.99	12.20 ( 3.50 - 13.50 )	3.62 ( 0.92 - 5.34 )	15.89	99
15+18+25+25+25+42	1.22	1.46	2.03	2.03	2.03	3.42	12.19 ( 3.50 - 13.50 )	3.61 ( 0.92 - 5.32 )	15.83	99
15+18+25+25+25+50	1.16	1.39	1.93	1.93	1.93	3.86	12.20 ( 3.50 - 13.50 )	3.60 ( 0.92 - 5.32 )	15.82	99
15+18+25+25+25+60	1.09	1.31	1.82	1.82	1.82	4.36	12.22 ( 3.50 - 13.50 )	3.60 ( 0.92 - 5.32 )	15.79	99
15+18+25+25+25+71	1.02	1.23	1.70	1.70	1.70	4.84	12.19 ( 3.50 - 13.50 )	3.59 ( 0.92 - 5.32 )	15.77	99

# MXZ-6D122VA COOLING

Indoor units combination	Cooling Capacity (kW)							Outdoor unit power consumption (kW)	Current (A)	Power factor (%)
	Unit A	Unit B	Unit C	Unit D	Unit E	Unit F	Total			
15+18+25+25+35+35	1.20	1.44	1.99	1.99	2.79	2.79	12.20 ( 3.50 - 13.50 )	3.60 ( 0.92 - 5.32 )	15.83	99
15+18+25+25+35+42	1.14	1.37	1.91	1.91	2.67	3.20	12.20 ( 3.50 - 13.50 )	3.60 ( 0.92 - 5.32 )	15.81	99
15+18+25+25+35+50	1.09	1.31	1.82	1.82	2.54	3.63	12.21 ( 3.50 - 13.50 )	3.60 ( 0.92 - 5.32 )	15.79	99
15+18+25+25+35+60	1.03	1.23	1.71	1.71	2.40	4.11	12.19 ( 3.50 - 13.50 )	3.59 ( 0.92 - 5.32 )	15.77	99
15+18+25+25+42+42	1.10	1.31	1.83	1.83	3.07	3.07	12.21 ( 3.50 - 13.50 )	3.60 ( 0.92 - 5.32 )	15.80	99
15+18+25+25+42+50	1.05	1.25	1.74	1.74	2.93	3.49	12.20 ( 3.50 - 13.50 )	3.59 ( 0.92 - 5.32 )	15.78	99
15+18+25+35+35+35	1.12	1.35	1.87	2.62	2.62	2.62	12.20 ( 3.50 - 13.50 )	3.60 ( 0.92 - 5.32 )	15.81	99
15+18+25+35+35+42	1.08	1.29	1.79	2.51	2.51	3.01	12.19 ( 3.50 - 13.50 )	3.60 ( 0.92 - 5.32 )	15.79	99
15+18+25+35+35+50	1.03	1.23	1.71	2.40	2.40	3.43	12.20 ( 3.50 - 13.50 )	3.59 ( 0.92 - 5.32 )	15.77	99
15+18+25+35+42+42	1.03	1.24	1.72	2.41	2.89	2.89	12.18 ( 3.50 - 13.50 )	3.59 ( 0.92 - 5.32 )	15.78	99
15+18+35+35+35+35	1.06	1.27	2.47	2.47	2.47	2.47	12.21 ( 3.50 - 13.50 )	3.59 ( 0.92 - 5.32 )	15.79	99
15+18+35+35+35+42	1.02	1.22	2.37	2.37	2.37	2.85	12.20 ( 3.50 - 13.50 )	3.59 ( 0.92 - 5.32 )	15.77	99
15+20+20+20+20+20	1.43	1.91	1.91	1.91	1.91	1.91	10.98 ( 3.50 - 12.60 )	3.32 ( 0.96 - 5.65 )	14.60	99
15+20+20+20+20+22	1.44	1.91	1.91	1.91	1.91	2.11	11.19 ( 3.50 - 12.60 )	3.42 ( 0.96 - 5.65 )	15.00	99
15+20+20+20+20+25	1.43	1.90	1.90	1.90	1.90	2.38	11.41 ( 3.50 - 12.80 )	3.52 ( 0.96 - 5.59 )	15.46	99
15+20+20+20+20+35	1.37	1.83	1.83	1.83	1.83	3.20	11.89 ( 3.50 - 13.50 )	3.63 ( 0.92 - 5.37 )	15.92	99
15+20+20+20+20+42	1.32	1.77	1.77	1.77	1.77	3.71	12.11 ( 3.50 - 13.50 )	3.63 ( 0.92 - 5.35 )	15.93	99
15+20+20+20+20+50	1.26	1.68	1.68	1.68	1.68	4.21	12.19 ( 3.50 - 13.50 )	3.61 ( 0.92 - 5.33 )	15.87	99
15+20+20+20+20+60	1.18	1.57	1.57	1.57	1.57	4.72	12.18 ( 3.50 - 13.50 )	3.60 ( 0.92 - 5.32 )	15.82	99
15+20+20+20+20+71	1.10	1.47	1.47	1.47	1.47	5.22	12.20 ( 3.50 - 13.50 )	3.60 ( 0.92 - 5.32 )	15.80	99
15+20+20+20+22+22	1.42	1.90	1.90	1.90	2.09	2.09	11.30 ( 3.50 - 12.60 )	3.51 ( 0.96 - 5.65 )	15.41	99
15+20+20+20+22+25	1.41	1.89	1.89	1.89	2.07	2.36	11.51 ( 3.50 - 12.90 )	3.54 ( 0.95 - 5.56 )	15.55	99
15+20+20+20+22+35	1.36	1.82	1.82	1.82	2.00	3.18	12.00 ( 3.50 - 13.50 )	3.63 ( 0.92 - 5.37 )	15.96	99
15+20+20+20+22+42	1.32	1.76	1.76	1.76	1.93	3.69	12.22 ( 3.50 - 13.50 )	3.62 ( 0.92 - 5.35 )	15.91	99
15+20+20+20+22+50	1.24	1.66	1.66	1.66	1.83	4.15	12.20 ( 3.50 - 13.50 )	3.61 ( 0.92 - 5.33 )	15.85	99
15+20+20+20+22+60	1.17	1.55	1.55	1.55	1.71	4.66	12.19 ( 3.50 - 13.50 )	3.60 ( 0.92 - 5.32 )	15.82	99
15+20+20+20+22+71	1.09	1.45	1.45	1.45	1.60	5.16	12.20 ( 3.50 - 13.50 )	3.60 ( 0.92 - 5.32 )	15.79	99
15+20+20+20+25+25	1.40	1.87	1.87	1.87	2.34	2.34	11.69 ( 3.50 - 13.10 )	3.57 ( 0.95 - 5.49 )	15.69	99
15+20+20+20+25+35	1.34	1.79	1.79	1.79	2.24	3.14	12.09 ( 3.50 - 13.50 )	3.63 ( 0.92 - 5.36 )	15.94	99
15+20+20+20+25+42	1.29	1.72	1.72	1.72	2.15	3.61	12.21 ( 3.50 - 13.50 )	3.62 ( 0.92 - 5.34 )	15.89	99
15+20+20+20+25+50	1.22	1.63	1.63	1.63	2.03	4.07	12.21 ( 3.50 - 13.50 )	3.61 ( 0.92 - 5.32 )	15.83	99
15+20+20+20+25+60	1.14	1.53	1.53	1.53	1.91	4.58	12.22 ( 3.50 - 13.50 )	3.60 ( 0.92 - 5.32 )	15.81	99
15+20+20+20+25+71	1.07	1.43	1.43	1.43	1.78	5.07	12.21 ( 3.50 - 13.50 )	3.60 ( 0.92 - 5.32 )	15.79	99
15+20+20+20+35+35	1.26	1.68	1.68	1.68	2.94	2.94	12.18 ( 3.50 - 13.50 )	3.61 ( 0.92 - 5.33 )	15.87	99
15+20+20+20+35+42	1.20	1.61	1.61	1.61	2.81	3.37	12.21 ( 3.50 - 13.50 )	3.60 ( 0.92 - 5.32 )	15.83	99
15+20+20+20+35+50	1.14	1.53	1.53	1.53	2.67	3.81	12.21 ( 3.50 - 13.50 )	3.60 ( 0.92 - 5.32 )	15.81	99

# MXZ-6D122VA COOLING

Indoor units combination	Cooling Capacity (kW)							Outdoor unit power consumption (kW)	Current (A)	Power factor (%)
	Unit A	Unit B	Unit C	Unit D	Unit E	Unit F	Total			
15+20+20+20+35+60	1.08	1.44	1.44	1.44	2.51	4.31	12.22 ( 3.50 - 13.50 )	3.60 ( 0.92 - 5.32 )	15.79	99
15+20+20+20+42+42	1.15	1.53	1.53	1.53	3.22	3.22	12.18 ( 3.50 - 13.50 )	3.60 ( 0.92 - 5.32 )	15.81	99
15+20+20+20+42+50	1.10	1.46	1.46	1.46	3.07	3.65	12.20 ( 3.50 - 13.50 )	3.60 ( 0.92 - 5.32 )	15.80	99
15+20+20+20+42+60	1.03	1.38	1.38	1.38	2.89	4.14	12.20 ( 3.50 - 13.50 )	3.59 ( 0.92 - 5.32 )	15.78	99
15+20+20+20+50+50	1.05	1.39	1.39	1.39	3.49	3.49	12.20 ( 3.50 - 13.50 )	3.59 ( 0.92 - 5.32 )	15.78	99
15+20+20+22+22+22	1.43	1.90	1.90	2.09	2.09	2.09	11.50 ( 3.50 - 12.80 )	3.53 ( 0.96 - 5.59 )	15.50	99
15+20+20+22+22+25	1.40	1.87	1.87	2.06	2.06	2.34	11.60 ( 3.50 - 13.10 )	3.56 ( 0.95 - 5.49 )	15.64	99
15+20+20+22+22+35	1.35	1.81	1.81	1.99	1.99	3.16	12.11 ( 3.50 - 13.50 )	3.63 ( 0.92 - 5.36 )	15.95	99
15+20+20+22+22+42	1.30	1.73	1.73	1.90	1.90	3.63	12.19 ( 3.50 - 13.50 )	3.62 ( 0.92 - 5.34 )	15.90	99
15+20+20+22+22+50	1.23	1.64	1.64	1.80	1.80	4.09	12.20 ( 3.50 - 13.50 )	3.61 ( 0.92 - 5.32 )	15.84	99
15+20+20+22+22+60	1.15	1.53	1.53	1.69	1.69	4.60	12.19 ( 3.50 - 13.50 )	3.60 ( 0.92 - 5.32 )	15.81	99
15+20+20+22+22+71	1.08	1.44	1.44	1.58	1.58	5.10	12.22 ( 3.50 - 13.50 )	3.60 ( 0.92 - 5.32 )	15.79	99
15+20+20+22+25+25	1.39	1.86	1.86	2.04	2.32	2.32	11.79 ( 3.50 - 13.20 )	3.59 ( 0.93 - 5.46 )	15.78	99
15+20+20+22+25+35	1.32	1.77	1.77	1.94	2.21	3.09	12.10 ( 3.50 - 13.50 )	3.63 ( 0.92 - 5.35 )	15.93	99
15+20+20+22+25+42	1.27	1.69	1.69	1.86	2.12	3.56	12.19 ( 3.50 - 13.50 )	3.62 ( 0.92 - 5.33 )	15.88	99
15+20+20+22+25+50	1.20	1.61	1.61	1.77	2.01	4.01	12.21 ( 3.50 - 13.50 )	3.60 ( 0.92 - 5.32 )	15.83	99
15+20+20+22+25+60	1.13	1.51	1.51	1.66	1.88	4.52	12.21 ( 3.50 - 13.50 )	3.60 ( 0.92 - 5.32 )	15.81	99
15+20+20+22+25+71	1.06	1.41	1.41	1.55	1.76	5.01	12.20 ( 3.50 - 13.50 )	3.59 ( 0.92 - 5.32 )	15.79	99
15+20+20+22+35+35	1.24	1.66	1.66	1.83	2.90	2.90	12.19 ( 3.50 - 13.50 )	3.61 ( 0.92 - 5.33 )	15.85	99
15+20+20+22+35+42	1.19	1.58	1.58	1.74	2.77	3.33	12.19 ( 3.50 - 13.50 )	3.60 ( 0.92 - 5.32 )	15.83	99
15+20+20+22+35+50	1.13	1.51	1.51	1.66	2.64	3.77	12.22 ( 3.50 - 13.50 )	3.60 ( 0.92 - 5.32 )	15.81	99
15+20+20+22+35+60	1.06	1.42	1.42	1.56	2.48	4.26	12.20 ( 3.50 - 13.50 )	3.59 ( 0.92 - 5.32 )	15.79	99
15+20+20+22+42+42	1.14	1.52	1.52	1.67	3.18	3.18	12.21 ( 3.50 - 13.50 )	3.60 ( 0.92 - 5.32 )	15.81	99
15+20+20+22+42+50	1.08	1.44	1.44	1.59	3.03	3.61	12.19 ( 3.50 - 13.50 )	3.60 ( 0.92 - 5.32 )	15.79	99
15+20+20+22+42+60	1.02	1.36	1.36	1.50	2.86	4.09	12.19 ( 3.50 - 13.50 )	3.59 ( 0.92 - 5.32 )	15.77	99
15+20+20+22+50+50	1.03	1.38	1.38	1.52	3.45	3.45	12.21 ( 3.50 - 13.50 )	3.59 ( 0.92 - 5.32 )	15.78	99
15+20+20+25+25+25	1.37	1.83	1.83	2.29	2.29	2.29	11.90 ( 3.50 - 13.50 )	3.63 ( 0.92 - 5.37 )	15.92	99
15+20+20+25+25+35	1.31	1.74	1.74	2.18	2.18	3.05	12.20 ( 3.50 - 13.50 )	3.62 ( 0.92 - 5.35 )	15.91	99
15+20+20+25+25+42	1.24	1.66	1.66	2.07	2.07	3.49	12.19 ( 3.50 - 13.50 )	3.61 ( 0.92 - 5.33 )	15.85	99
15+20+20+25+25+50	1.18	1.57	1.57	1.97	1.97	3.94	12.20 ( 3.50 - 13.50 )	3.60 ( 0.92 - 5.32 )	15.82	99
15+20+20+25+25+60	1.11	1.48	1.48	1.85	1.85	4.44	12.21 ( 3.50 - 13.50 )	3.60 ( 0.92 - 5.32 )	15.80	99
15+20+20+25+25+71	1.04	1.39	1.39	1.73	1.73	4.92	12.20 ( 3.50 - 13.50 )	3.59 ( 0.92 - 5.32 )	15.78	99
15+20+20+25+35+35	1.22	1.63	1.63	2.03	2.85	2.85	12.21 ( 3.50 - 13.50 )	3.61 ( 0.92 - 5.32 )	15.83	99
15+20+20+25+35+42	1.17	1.55	1.55	1.94	2.72	3.26	12.19 ( 3.50 - 13.50 )	3.60 ( 0.92 - 5.32 )	15.82	99
15+20+20+25+35+50	1.11	1.48	1.48	1.85	2.59	3.70	12.21 ( 3.50 - 13.50 )	3.60 ( 0.92 - 5.32 )	15.80	99
15+20+20+25+35+60	1.05	1.39	1.39	1.74	2.44	4.18	12.19 ( 3.50 - 13.50 )	3.59 ( 0.92 - 5.32 )	15.78	99

# MXZ-6D122VA COOLING

Indoor units combination	Cooling Capacity (kW)							Outdoor unit power consumption (kW)	Current (A)	Power factor (%)
	Unit A	Unit B	Unit C	Unit D	Unit E	Unit F	Total			
15+20+20+25+42+42	1.12	1.49	1.49	1.86	3.12	3.12	12.20 ( 3.50 - 13.50 )	3.60 ( 0.92 - 5.32 )	15.81	99
15+20+20+25+42+50	1.06	1.42	1.42	1.77	2.98	3.55	12.20 ( 3.50 - 13.50 )	3.59 ( 0.92 - 5.32 )	15.79	99
15+20+20+25+50+50	1.02	1.36	1.36	1.69	3.39	3.39	12.21 ( 3.50 - 13.50 )	3.59 ( 0.92 - 5.32 )	15.77	99
15+20+20+35+35+35	1.14	1.53	1.53	2.67	2.67	2.67	12.21 ( 3.50 - 13.50 )	3.60 ( 0.92 - 5.32 )	15.81	99
15+20+20+35+35+42	1.10	1.46	1.46	2.56	2.56	3.07	12.21 ( 3.50 - 13.50 )	3.60 ( 0.92 - 5.32 )	15.80	99
15+20+20+35+35+50	1.05	1.39	1.39	2.44	2.44	3.49	12.20 ( 3.50 - 13.50 )	3.59 ( 0.92 - 5.32 )	15.78	99
15+20+20+35+42+42	1.05	1.40	1.40	2.45	2.94	2.94	12.18 ( 3.50 - 13.50 )	3.59 ( 0.92 - 5.32 )	15.78	99
15+20+22+22+22+22	1.41	1.89	2.07	2.07	2.07	2.07	11.58 ( 3.50 - 12.90 )	3.55 ( 0.95 - 5.56 )	15.60	99
15+20+22+22+22+25	1.39	1.86	2.04	2.04	2.04	2.32	11.69 ( 3.50 - 13.20 )	3.58 ( 0.93 - 5.46 )	15.74	99
15+20+22+22+22+35	1.33	1.78	1.96	1.96	1.96	3.11	12.10 ( 3.50 - 13.50 )	3.63 ( 0.92 - 5.36 )	15.93	99
15+20+22+22+22+42	1.28	1.71	1.88	1.88	1.88	3.58	12.21 ( 3.50 - 13.50 )	3.62 ( 0.92 - 5.34 )	15.89	99
15+20+22+22+22+50	1.21	1.62	1.78	1.78	1.78	4.04	12.21 ( 3.50 - 13.50 )	3.60 ( 0.92 - 5.32 )	15.83	99
15+20+22+22+22+60	1.14	1.52	1.67	1.67	1.67	4.55	12.22 ( 3.50 - 13.50 )	3.60 ( 0.92 - 5.32 )	15.81	99
15+20+22+22+22+71	1.06	1.42	1.56	1.56	1.56	5.04	12.20 ( 3.50 - 13.50 )	3.59 ( 0.92 - 5.32 )	15.79	99
15+20+22+22+25+25	1.38	1.84	2.03	2.03	2.31	2.31	11.90 ( 3.50 - 13.40 )	3.62 ( 0.93 - 5.40 )	15.88	99
15+20+22+22+25+35	1.32	1.76	1.93	1.93	2.19	3.07	12.20 ( 3.50 - 13.50 )	3.62 ( 0.92 - 5.35 )	15.91	99
15+20+22+22+25+42	1.25	1.67	1.84	1.84	2.09	3.51	12.20 ( 3.50 - 13.50 )	3.61 ( 0.92 - 5.33 )	15.86	99
15+20+22+22+25+50	1.19	1.58	1.74	1.74	1.98	3.96	12.19 ( 3.50 - 13.50 )	3.60 ( 0.92 - 5.32 )	15.83	99
15+20+22+22+25+60	1.12	1.49	1.64	1.64	1.86	4.46	12.21 ( 3.50 - 13.50 )	3.60 ( 0.92 - 5.32 )	15.81	99
15+20+22+22+25+71	1.05	1.39	1.53	1.53	1.74	4.95	12.19 ( 3.50 - 13.50 )	3.59 ( 0.92 - 5.32 )	15.78	99
15+20+22+22+35+35	1.23	1.64	1.80	1.80	2.87	2.87	12.21 ( 3.50 - 13.50 )	3.61 ( 0.92 - 5.32 )	15.84	99
15+20+22+22+35+42	1.17	1.56	1.72	1.72	2.74	3.28	12.19 ( 3.50 - 13.50 )	3.60 ( 0.92 - 5.32 )	15.82	99
15+20+22+22+35+50	1.12	1.49	1.64	1.64	2.60	3.72	12.21 ( 3.50 - 13.50 )	3.60 ( 0.92 - 5.32 )	15.81	99
15+20+22+22+35+60	1.05	1.40	1.54	1.54	2.45	4.21	12.19 ( 3.50 - 13.50 )	3.59 ( 0.92 - 5.32 )	15.78	99
15+20+22+22+42+42	1.12	1.50	1.65	1.65	3.14	3.14	12.20 ( 3.50 - 13.50 )	3.60 ( 0.92 - 5.32 )	15.81	99
15+20+22+22+42+50	1.07	1.43	1.57	1.57	3.00	3.57	12.21 ( 3.50 - 13.50 )	3.60 ( 0.92 - 5.32 )	15.79	99
15+20+22+22+50+50	1.02	1.36	1.50	1.50	3.41	3.41	12.20 ( 3.50 - 13.50 )	3.59 ( 0.92 - 5.32 )	15.77	99
15+20+22+25+25+25	1.36	1.82	2.00	2.27	2.27	2.27	11.99 ( 3.50 - 13.50 )	3.63 ( 0.92 - 5.37 )	15.96	99
15+20+22+25+25+35	1.29	1.72	1.89	2.15	2.15	3.01	12.21 ( 3.50 - 13.50 )	3.62 ( 0.92 - 5.34 )	15.89	99
15+20+22+25+25+42	1.23	1.64	1.80	2.05	2.05	3.44	12.21 ( 3.50 - 13.50 )	3.61 ( 0.92 - 5.32 )	15.84	99
15+20+22+25+25+50	1.17	1.55	1.71	1.94	1.94	3.89	12.20 ( 3.50 - 13.50 )	3.60 ( 0.92 - 5.32 )	15.82	99
15+20+22+25+25+60	1.10	1.46	1.61	1.83	1.83	4.38	12.21 ( 3.50 - 13.50 )	3.60 ( 0.92 - 5.32 )	15.80	99
15+20+22+25+25+71	1.03	1.37	1.51	1.71	1.71	4.87	12.20 ( 3.50 - 13.50 )	3.59 ( 0.92 - 5.32 )	15.77	99
15+20+22+25+35+35	1.20	1.61	1.77	2.01	2.81	2.81	12.21 ( 3.50 - 13.50 )	3.60 ( 0.92 - 5.32 )	15.83	99
15+20+22+25+35+42	1.15	1.53	1.69	1.92	2.69	3.22	12.20 ( 3.50 - 13.50 )	3.60 ( 0.92 - 5.32 )	15.81	99
15+20+22+25+35+50	1.10	1.46	1.61	1.83	2.56	3.65	12.21 ( 3.50 - 13.50 )	3.60 ( 0.92 - 5.32 )	15.80	99

# MXZ-6D122VA COOLING

Indoor units combination	Cooling Capacity (kW)							Outdoor unit power consumption (kW)	Current (A)	Power factor (%)
	Unit A	Unit B	Unit C	Unit D	Unit E	Unit F	Total			
15+20+22+25+35+60	1.03	1.38	1.52	1.72	2.41	4.14	12.20 ( 3.50 - 13.50 )	3.59 ( 0.92 - 5.32 )	15.78	99
15+20+22+25+42+42	1.10	1.47	1.62	1.84	3.09	3.09	12.21 ( 3.50 - 13.50 )	3.60 ( 0.92 - 5.32 )	15.80	99
15+20+22+25+42+50	1.05	1.40	1.54	1.75	2.94	3.51	12.19 ( 3.50 - 13.50 )	3.59 ( 0.92 - 5.32 )	15.78	99
15+20+22+35+35+35	1.13	1.51	1.66	2.64	2.64	2.64	12.22 ( 3.50 - 13.50 )	3.60 ( 0.92 - 5.32 )	15.81	99
15+20+22+35+35+42	1.08	1.44	1.59	2.53	2.53	3.03	12.20 ( 3.50 - 13.50 )	3.60 ( 0.92 - 5.32 )	15.79	99
15+20+22+35+35+50	1.03	1.38	1.52	2.41	2.41	3.45	12.20 ( 3.50 - 13.50 )	3.59 ( 0.92 - 5.32 )	15.78	99
15+20+22+35+42+42	1.04	1.39	1.53	2.43	2.91	2.91	12.21 ( 3.50 - 13.50 )	3.59 ( 0.92 - 5.32 )	15.78	99
15+20+25+25+25+25	1.34	1.79	2.24	2.24	2.24	2.24	12.09 ( 3.50 - 13.50 )	3.63 ( 0.92 - 5.36 )	15.94	99
15+20+25+25+25+35	1.26	1.68	2.10	2.10	2.10	2.94	12.18 ( 3.50 - 13.50 )	3.61 ( 0.92 - 5.33 )	15.87	99
15+20+25+25+25+42	1.20	1.61	2.01	2.01	2.01	3.37	12.21 ( 3.50 - 13.50 )	3.60 ( 0.92 - 5.32 )	15.83	99
15+20+25+25+25+50	1.14	1.53	1.91	1.91	1.91	3.81	12.21 ( 3.50 - 13.50 )	3.60 ( 0.92 - 5.32 )	15.81	99
15+20+25+25+25+60	1.08	1.44	1.79	1.79	1.79	4.31	12.20 ( 3.50 - 13.50 )	3.60 ( 0.92 - 5.32 )	15.79	99
15+20+25+25+35+35	1.18	1.57	1.97	1.97	2.75	2.75	12.19 ( 3.50 - 13.50 )	3.60 ( 0.92 - 5.32 )	15.82	99
15+20+25+25+35+42	1.13	1.51	1.88	1.88	2.64	3.16	12.20 ( 3.50 - 13.50 )	3.60 ( 0.92 - 5.32 )	15.81	99
15+20+25+25+35+50	1.08	1.44	1.79	1.79	2.51	3.59	12.20 ( 3.50 - 13.50 )	3.60 ( 0.92 - 5.32 )	15.79	99
15+20+25+25+35+60	1.02	1.36	1.69	1.69	2.37	4.07	12.20 ( 3.50 - 13.50 )	3.59 ( 0.92 - 5.32 )	15.77	99
15+20+25+25+42+42	1.08	1.44	1.80	1.80	3.03	3.03	12.18 ( 3.50 - 13.50 )	3.60 ( 0.92 - 5.32 )	15.79	99
15+20+25+25+42+50	1.03	1.38	1.72	1.72	2.89	3.45	12.19 ( 3.50 - 13.50 )	3.59 ( 0.92 - 5.32 )	15.78	99
15+20+25+35+35+35	1.11	1.48	1.85	2.59	2.59	2.59	12.21 ( 3.50 - 13.50 )	3.60 ( 0.92 - 5.32 )	15.80	99
15+20+25+35+35+42	1.06	1.42	1.77	2.48	2.48	2.98	12.19 ( 3.50 - 13.50 )	3.59 ( 0.92 - 5.32 )	15.79	99
15+20+25+35+35+50	1.02	1.36	1.69	2.37	2.37	3.39	12.20 ( 3.50 - 13.50 )	3.59 ( 0.92 - 5.32 )	15.77	99
15+20+25+35+42+42	1.02	1.36	1.70	2.39	2.86	2.86	12.19 ( 3.50 - 13.50 )	3.59 ( 0.92 - 5.32 )	15.77	99
15+20+35+35+35+35	1.05	1.39	2.44	2.44	2.44	2.44	12.20 ( 3.50 - 13.50 )	3.59 ( 0.92 - 5.32 )	15.78	99
15+22+22+22+22+22	1.40	2.06	2.06	2.06	2.06	2.06	11.70 ( 3.50 - 13.10 )	3.57 ( 0.95 - 5.49 )	15.69	99
15+22+22+22+22+25	1.38	2.03	2.03	2.03	2.03	2.30	11.80 ( 3.50 - 13.40 )	3.60 ( 0.93 - 5.40 )	15.83	99
15+22+22+22+22+35	1.33	1.94	1.94	1.94	1.94	3.09	12.18 ( 3.50 - 13.50 )	3.62 ( 0.92 - 5.35 )	15.92	99
15+22+22+22+22+42	1.26	1.85	1.85	1.85	1.85	3.53	12.19 ( 3.50 - 13.50 )	3.61 ( 0.92 - 5.33 )	15.87	99
15+22+22+22+22+50	1.20	1.75	1.75	1.75	1.75	3.99	12.19 ( 3.50 - 13.50 )	3.60 ( 0.92 - 5.32 )	15.83	99
15+22+22+22+22+60	1.12	1.65	1.65	1.65	1.65	4.49	12.21 ( 3.50 - 13.50 )	3.60 ( 0.92 - 5.32 )	15.81	99
15+22+22+22+22+71	1.05	1.54	1.54	1.54	1.54	4.98	12.19 ( 3.50 - 13.50 )	3.59 ( 0.92 - 5.32 )	15.78	99
15+22+22+22+25+25	1.37	2.02	2.02	2.02	2.29	2.29	12.01 ( 3.50 - 13.50 )	3.64 ( 0.92 - 5.37 )	15.97	99
15+22+22+22+25+35	1.30	1.90	1.90	1.90	2.16	3.03	12.19 ( 3.50 - 13.50 )	3.62 ( 0.92 - 5.34 )	15.90	99
15+22+22+22+25+42	1.24	1.81	1.81	1.81	2.06	3.46	12.19 ( 3.50 - 13.50 )	3.61 ( 0.92 - 5.32 )	15.85	99
15+22+22+22+25+50	1.17	1.72	1.72	1.72	1.96	3.91	12.20 ( 3.50 - 13.50 )	3.60 ( 0.92 - 5.32 )	15.82	99
15+22+22+22+25+60	1.10	1.62	1.62	1.62	1.84	4.41	12.21 ( 3.50 - 13.50 )	3.60 ( 0.92 - 5.32 )	15.80	99
15+22+22+22+25+71	1.03	1.52	1.52	1.52	1.72	4.89	12.20 ( 3.50 - 13.50 )	3.59 ( 0.92 - 5.32 )	15.78	99

# MXZ-6D122VA COOLING

Indoor units combination	Cooling Capacity (kW)							Outdoor unit power consumption (kW)	Current (A)	Power factor (%)
	Unit A	Unit B	Unit C	Unit D	Unit E	Unit F	Total			
15+22+22+22+35+35	1.21	1.78	1.78	1.78	2.83	2.83	12.21 ( 3.50 - 13.50 )	3.60 ( 0.92 - 5.32 )	15.83	99
15+22+22+22+35+42	1.16	1.70	1.70	1.70	2.70	3.24	12.20 ( 3.50 - 13.50 )	3.60 ( 0.92 - 5.32 )	15.82	99
15+22+22+22+35+50	1.10	1.62	1.62	1.62	2.57	3.67	12.20 ( 3.50 - 13.50 )	3.60 ( 0.92 - 5.32 )	15.80	99
15+22+22+22+35+60	1.04	1.53	1.53	1.53	2.43	4.16	12.22 ( 3.50 - 13.50 )	3.59 ( 0.92 - 5.32 )	15.78	99
15+22+22+22+42+42	1.11	1.63	1.63	1.63	3.11	3.11	12.22 ( 3.50 - 13.50 )	3.60 ( 0.92 - 5.32 )	15.80	99
15+22+22+22+42+50	1.06	1.55	1.55	1.55	2.96	3.53	12.20 ( 3.50 - 13.50 )	3.59 ( 0.92 - 5.32 )	15.79	99
15+22+22+25+25+25	1.35	1.99	1.99	2.26	2.26	2.26	12.11 ( 3.50 - 13.50 )	3.63 ( 0.92 - 5.36 )	15.95	99
15+22+22+25+25+35	1.27	1.86	1.86	2.12	2.12	2.97	12.20 ( 3.50 - 13.50 )	3.62 ( 0.92 - 5.33 )	15.88	99
15+22+22+25+25+42	1.21	1.78	1.78	2.02	2.02	3.39	12.20 ( 3.50 - 13.50 )	3.60 ( 0.92 - 5.32 )	15.83	99
15+22+22+25+25+50	1.15	1.69	1.69	1.92	1.92	3.84	12.21 ( 3.50 - 13.50 )	3.60 ( 0.92 - 5.32 )	15.81	99
15+22+22+25+25+60	1.08	1.59	1.59	1.80	1.80	4.33	12.19 ( 3.50 - 13.50 )	3.60 ( 0.92 - 5.32 )	15.79	99
15+22+22+25+25+71	1.02	1.49	1.49	1.69	1.69	4.81	12.19 ( 3.50 - 13.50 )	3.59 ( 0.92 - 5.32 )	15.77	99
15+22+22+25+35+35	1.19	1.74	1.74	1.98	2.77	2.77	12.19 ( 3.50 - 13.50 )	3.60 ( 0.92 - 5.32 )	15.83	99
15+22+22+25+35+42	1.14	1.67	1.67	1.89	2.65	3.18	12.20 ( 3.50 - 13.50 )	3.60 ( 0.92 - 5.32 )	15.81	99
15+22+22+25+35+50	1.08	1.59	1.59	1.80	2.53	3.61	12.20 ( 3.50 - 13.50 )	3.60 ( 0.92 - 5.32 )	15.79	99
15+22+22+25+35+60	1.02	1.50	1.50	1.70	2.39	4.09	12.20 ( 3.50 - 13.50 )	3.59 ( 0.92 - 5.32 )	15.77	99
15+22+22+25+42+42	1.09	1.60	1.60	1.82	3.05	3.05	12.21 ( 3.50 - 13.50 )	3.60 ( 0.92 - 5.32 )	15.79	99
15+22+22+25+42+50	1.04	1.53	1.53	1.73	2.91	3.47	12.21 ( 3.50 - 13.50 )	3.59 ( 0.92 - 5.32 )	15.78	99
15+22+22+35+35+35	1.12	1.64	1.64	2.60	2.60	2.60	12.20 ( 3.50 - 13.50 )	3.60 ( 0.92 - 5.32 )	15.81	99
15+22+22+35+35+42	1.07	1.57	1.57	2.50	2.50	3.00	12.21 ( 3.50 - 13.50 )	3.60 ( 0.92 - 5.32 )	15.79	99
15+22+22+35+35+50	1.02	1.50	1.50	2.39	2.39	3.41	12.21 ( 3.50 - 13.50 )	3.59 ( 0.92 - 5.32 )	15.77	99
15+22+22+35+42+42	1.03	1.51	1.51	2.40	2.88	2.88	12.21 ( 3.50 - 13.50 )	3.59 ( 0.92 - 5.32 )	15.77	99
15+22+25+25+25+25	1.32	1.94	2.21	2.21	2.21	2.21	12.10 ( 3.50 - 13.50 )	3.63 ( 0.92 - 5.35 )	15.93	99
15+22+25+25+25+35	1.24	1.83	2.07	2.07	2.07	2.90	12.18 ( 3.50 - 13.50 )	3.61 ( 0.92 - 5.33 )	15.85	99
15+22+25+25+25+42	1.19	1.74	1.98	1.98	1.98	3.33	12.20 ( 3.50 - 13.50 )	3.60 ( 0.92 - 5.32 )	15.83	99
15+22+25+25+25+50	1.13	1.66	1.88	1.88	1.88	3.77	12.20 ( 3.50 - 13.50 )	3.60 ( 0.92 - 5.32 )	15.81	99
15+22+25+25+25+60	1.06	1.56	1.77	1.77	1.77	4.26	12.19 ( 3.50 - 13.50 )	3.59 ( 0.92 - 5.32 )	15.79	99
15+22+25+25+35+35	1.17	1.71	1.94	1.94	2.72	2.72	12.20 ( 3.50 - 13.50 )	3.60 ( 0.92 - 5.32 )	15.82	99
15+22+25+25+35+42	1.12	1.64	1.86	1.86	2.60	3.12	12.20 ( 3.50 - 13.50 )	3.60 ( 0.92 - 5.32 )	15.81	99
15+22+25+25+35+50	1.06	1.56	1.77	1.77	2.48	3.55	12.19 ( 3.50 - 13.50 )	3.59 ( 0.92 - 5.32 )	15.79	99
15+22+25+25+42+42	1.07	1.57	1.78	1.78	3.00	3.00	12.20 ( 3.50 - 13.50 )	3.60 ( 0.92 - 5.32 )	15.79	99
15+22+25+25+42+50	1.02	1.50	1.70	1.70	2.86	3.41	12.19 ( 3.50 - 13.50 )	3.59 ( 0.92 - 5.32 )	15.77	99
15+22+25+35+35+35	1.10	1.61	1.83	2.56	2.56	2.56	12.22 ( 3.50 - 13.50 )	3.60 ( 0.92 - 5.32 )	15.80	99
15+22+25+35+35+42	1.05	1.54	1.75	2.45	2.45	2.94	12.18 ( 3.50 - 13.50 )	3.59 ( 0.92 - 5.32 )	15.78	99
15+22+35+35+35+35	1.03	1.52	2.41	2.41	2.41	2.41	12.19 ( 3.50 - 13.50 )	3.59 ( 0.92 - 5.32 )	15.78	99
15+25+25+25+25+25	1.31	2.18	2.18	2.18	2.18	2.18	12.21 ( 3.50 - 13.50 )	3.62 ( 0.92 - 5.35 )	15.91	99

# MXZ-6D122VA COOLING

Indoor units combination	Cooling Capacity (kW)							Outdoor unit power consumption (kW)	Current (A)	Power factor (%)
	Unit A	Unit B	Unit C	Unit D	Unit E	Unit F	Total			
15+25+25+25+25+35	1.22	2.03	2.03	2.03	2.03	2.85	12.19 ( 3.50 - 13.50 )	3.61 ( 0.92 - 5.32 )	15.83	99
15+25+25+25+25+42	1.17	1.94	1.94	1.94	1.94	3.26	12.19 ( 3.50 - 13.50 )	3.60 ( 0.92 - 5.32 )	15.82	99
15+25+25+25+25+50	1.11	1.85	1.85	1.85	1.85	3.70	12.21 ( 3.50 - 13.50 )	3.60 ( 0.92 - 5.32 )	15.80	99
15+25+25+25+25+60	1.05	1.74	1.74	1.74	1.74	4.18	12.19 ( 3.50 - 13.50 )	3.59 ( 0.92 - 5.32 )	15.78	99
15+25+25+25+35+35	1.14	1.91	1.91	1.91	2.67	2.67	12.21 ( 3.50 - 13.50 )	3.60 ( 0.92 - 5.32 )	15.81	99
15+25+25+25+35+42	1.10	1.83	1.83	1.83	2.56	3.07	12.22 ( 3.50 - 13.50 )	3.60 ( 0.92 - 5.32 )	15.80	99
15+25+25+25+35+50	1.05	1.74	1.74	1.74	2.44	3.49	12.20 ( 3.50 - 13.50 )	3.59 ( 0.92 - 5.32 )	15.78	99
15+25+25+25+42+42	1.05	1.75	1.75	1.75	2.94	2.94	12.18 ( 3.50 - 13.50 )	3.59 ( 0.92 - 5.32 )	15.78	99
15+25+25+35+35+35	1.08	1.79	1.79	2.51	2.51	2.51	12.19 ( 3.50 - 13.50 )	3.60 ( 0.92 - 5.32 )	15.79	99
15+25+25+35+35+42	1.03	1.72	1.72	2.41	2.41	2.89	12.18 ( 3.50 - 13.50 )	3.59 ( 0.92 - 5.32 )	15.78	99
15+25+35+35+35+35	1.02	1.69	2.37	2.37	2.37	2.37	12.19 ( 3.50 - 13.50 )	3.59 ( 0.92 - 5.32 )	15.77	99
18+18+18+18+18+18	1.74	1.74	1.74	1.74	1.74	1.74	10.44 ( 3.50 - 13.50 )	3.00 ( 0.92 - 5.37 )	13.18	99
18+18+18+18+18+20	1.73	1.73	1.73	1.73	1.73	1.93	10.58 ( 3.50 - 12.50 )	3.09 ( 0.96 - 5.63 )	13.58	99
18+18+18+18+18+22	1.74	1.74	1.74	1.74	1.74	2.12	10.82 ( 3.50 - 13.50 )	3.18 ( 0.92 - 5.37 )	13.99	99
18+18+18+18+18+25	1.72	1.72	1.72	1.72	1.72	2.39	10.99 ( 3.50 - 12.60 )	3.32 ( 0.96 - 5.65 )	14.60	99
18+18+18+18+18+35	1.68	1.68	1.68	1.68	1.68	3.28	11.68 ( 3.50 - 13.10 )	3.57 ( 0.95 - 5.49 )	15.69	99
18+18+18+18+18+42	1.64	1.64	1.64	1.64	1.64	3.82	12.02 ( 3.50 - 13.50 )	3.63 ( 0.92 - 5.37 )	15.96	99
18+18+18+18+18+50	1.57	1.57	1.57	1.57	1.57	4.36	12.21 ( 3.50 - 13.50 )	3.62 ( 0.92 - 5.35 )	15.91	99
18+18+18+18+18+60	1.46	1.46	1.46	1.46	1.46	4.88	12.18 ( 3.50 - 13.50 )	3.61 ( 0.92 - 5.32 )	15.83	99
18+18+18+18+18+71	1.36	1.36	1.36	1.36	1.36	5.38	12.18 ( 3.50 - 13.50 )	3.60 ( 0.92 - 5.32 )	15.81	99
18+18+18+18+20+20	1.74	1.74	1.74	1.74	1.93	1.93	10.82 ( 3.50 - 13.50 )	3.18 ( 0.92 - 5.37 )	13.99	99
18+18+18+18+20+22	1.72	1.72	1.72	1.72	1.91	2.10	10.89 ( 3.50 - 12.60 )	3.28 ( 0.96 - 5.65 )	14.39	99
18+18+18+18+20+25	1.72	1.72	1.72	1.72	1.91	2.39	11.18 ( 3.50 - 12.60 )	3.42 ( 0.96 - 5.65 )	15.00	99
18+18+18+18+20+35	1.67	1.67	1.67	1.67	1.86	3.25	11.79 ( 3.50 - 13.20 )	3.59 ( 0.93 - 5.46 )	15.78	99
18+18+18+18+20+42	1.63	1.63	1.63	1.63	1.81	3.79	12.12 ( 3.50 - 13.50 )	3.63 ( 0.92 - 5.36 )	15.95	99
18+18+18+18+20+50	1.55	1.55	1.55	1.55	1.72	4.30	12.22 ( 3.50 - 13.50 )	3.62 ( 0.92 - 5.34 )	15.89	99
18+18+18+18+20+60	1.44	1.44	1.44	1.44	1.61	4.82	12.19 ( 3.50 - 13.50 )	3.60 ( 0.92 - 5.32 )	15.83	99
18+18+18+18+20+71	1.35	1.35	1.35	1.35	1.50	5.31	12.21 ( 3.50 - 13.50 )	3.60 ( 0.92 - 5.32 )	15.81	99
18+18+18+18+22+22	1.72	1.72	1.72	1.72	2.11	2.11	11.10 ( 3.50 - 12.60 )	3.37 ( 0.96 - 5.65 )	14.80	99
18+18+18+18+22+25	1.71	1.71	1.71	1.71	2.09	2.37	11.30 ( 3.50 - 12.60 )	3.51 ( 0.96 - 5.65 )	15.41	99
18+18+18+18+22+35	1.66	1.66	1.66	1.66	2.03	3.23	11.90 ( 3.50 - 13.40 )	3.62 ( 0.93 - 5.40 )	15.88	99
18+18+18+18+22+42	1.60	1.60	1.60	1.60	1.96	3.74	12.10 ( 3.50 - 13.50 )	3.63 ( 0.92 - 5.36 )	15.93	99
18+18+18+18+22+50	1.53	1.53	1.53	1.53	1.86	4.24	12.22 ( 3.50 - 13.50 )	3.62 ( 0.92 - 5.33 )	15.88	99
18+18+18+18+22+60	1.43	1.43	1.43	1.43	1.74	4.75	12.21 ( 3.50 - 13.50 )	3.60 ( 0.92 - 5.32 )	15.83	99
18+18+18+18+22+71	1.33	1.33	1.33	1.33	1.63	5.25	12.20 ( 3.50 - 13.50 )	3.60 ( 0.92 - 5.32 )	15.80	99
18+18+18+18+25+25	1.70	1.70	1.70	1.70	2.36	2.36	11.52 ( 3.50 - 12.90 )	3.54 ( 0.95 - 5.56 )	15.55	99



# MXZ-6D122VA COOLING

Indoor units combination	Cooling Capacity (kW)							Outdoor unit power consumption (kW)	Current (A)	Power factor (%)
	Unit A	Unit B	Unit C	Unit D	Unit E	Unit F	Total			
18+18+18+18+25+35	1.64	1.64	1.64	1.64	2.27	3.18	12.01 ( 3.50 - 13.50 )	3.63 ( 0.92 - 5.37 )	15.96	99
18+18+18+18+25+42	1.58	1.58	1.58	1.58	2.19	3.69	12.20 ( 3.50 - 13.50 )	3.62 ( 0.92 - 5.35 )	15.91	99
18+18+18+18+25+50	1.49	1.49	1.49	1.49	2.07	4.15	12.18 ( 3.50 - 13.50 )	3.61 ( 0.92 - 5.33 )	15.85	99
18+18+18+18+25+60	1.40	1.40	1.40	1.40	1.94	4.66	12.20 ( 3.50 - 13.50 )	3.60 ( 0.92 - 5.32 )	15.82	99
18+18+18+18+25+71	1.31	1.31	1.31	1.31	1.82	5.16	12.22 ( 3.50 - 13.50 )	3.60 ( 0.92 - 5.32 )	15.79	99
18+18+18+18+35+35	1.55	1.55	1.55	1.55	3.01	3.01	12.22 ( 3.50 - 13.50 )	3.62 ( 0.92 - 5.34 )	15.89	99
18+18+18+18+35+42	1.47	1.47	1.47	1.47	2.87	3.44	12.19 ( 3.50 - 13.50 )	3.61 ( 0.92 - 5.32 )	15.84	99
18+18+18+18+35+50	1.40	1.40	1.40	1.40	2.72	3.89	12.21 ( 3.50 - 13.50 )	3.60 ( 0.92 - 5.32 )	15.82	99
18+18+18+18+35+60	1.31	1.31	1.31	1.31	2.56	4.38	12.18 ( 3.50 - 13.50 )	3.60 ( 0.92 - 5.32 )	15.80	99
18+18+18+18+35+71	1.23	1.23	1.23	1.23	2.40	4.87	12.19 ( 3.50 - 13.50 )	3.59 ( 0.92 - 5.32 )	15.77	99
18+18+18+18+42+42	1.41	1.41	1.41	1.41	3.28	3.28	12.20 ( 3.50 - 13.50 )	3.60 ( 0.92 - 5.32 )	15.82	99
18+18+18+18+42+50	1.34	1.34	1.34	1.34	3.12	3.72	12.20 ( 3.50 - 13.50 )	3.60 ( 0.92 - 5.32 )	15.81	99
18+18+18+18+42+60	1.26	1.26	1.26	1.26	2.94	4.21	12.19 ( 3.50 - 13.50 )	3.59 ( 0.92 - 5.32 )	15.78	99
18+18+18+18+50+50	1.28	1.28	1.28	1.28	3.55	3.55	12.22 ( 3.50 - 13.50 )	3.59 ( 0.92 - 5.32 )	15.79	99
18+18+18+20+20+20	1.72	1.72	1.72	1.91	1.91	1.91	10.89 ( 3.50 - 12.60 )	3.28 ( 0.96 - 5.65 )	14.39	99
18+18+18+20+20+22	1.72	1.72	1.72	1.91	1.91	2.11	11.09 ( 3.50 - 12.60 )	3.37 ( 0.96 - 5.65 )	14.80	99
18+18+18+20+20+25	1.71	1.71	1.71	1.90	1.90	2.37	11.30 ( 3.50 - 12.60 )	3.51 ( 0.96 - 5.65 )	15.41	99
18+18+18+20+20+35	1.66	1.66	1.66	1.84	1.84	3.23	11.89 ( 3.50 - 13.40 )	3.62 ( 0.93 - 5.40 )	15.88	99
18+18+18+20+20+42	1.60	1.60	1.60	1.78	1.78	3.74	12.10 ( 3.50 - 13.50 )	3.63 ( 0.92 - 5.36 )	15.93	99
18+18+18+20+20+50	1.53	1.53	1.53	1.69	1.69	4.24	12.21 ( 3.50 - 13.50 )	3.62 ( 0.92 - 5.33 )	15.88	99
18+18+18+20+20+60	1.43	1.43	1.43	1.58	1.58	4.75	12.20 ( 3.50 - 13.50 )	3.60 ( 0.92 - 5.32 )	15.83	99
18+18+18+20+20+71	1.33	1.33	1.33	1.48	1.48	5.25	12.20 ( 3.50 - 13.50 )	3.60 ( 0.92 - 5.32 )	15.80	99
18+18+18+20+22+22	1.71	1.71	1.71	1.90	2.09	2.09	11.21 ( 3.50 - 12.60 )	3.46 ( 0.96 - 5.65 )	15.21	99
18+18+18+20+22+25	1.71	1.71	1.71	1.90	2.09	2.38	11.50 ( 3.50 - 12.80 )	3.53 ( 0.96 - 5.59 )	15.50	99
18+18+18+20+22+35	1.65	1.65	1.65	1.83	2.02	3.21	12.01 ( 3.50 - 13.50 )	3.64 ( 0.92 - 5.37 )	15.97	99
18+18+18+20+22+42	1.59	1.59	1.59	1.77	1.94	3.71	12.19 ( 3.50 - 13.50 )	3.62 ( 0.92 - 5.35 )	15.92	99
18+18+18+20+22+50	1.50	1.50	1.50	1.67	1.84	4.18	12.19 ( 3.50 - 13.50 )	3.61 ( 0.92 - 5.33 )	15.86	99
18+18+18+20+22+60	1.41	1.41	1.41	1.56	1.72	4.69	12.20 ( 3.50 - 13.50 )	3.60 ( 0.92 - 5.32 )	15.82	99
18+18+18+20+22+71	1.31	1.31	1.31	1.46	1.61	5.19	12.19 ( 3.50 - 13.50 )	3.60 ( 0.92 - 5.32 )	15.80	99
18+18+18+20+25+25	1.68	1.68	1.68	1.87	2.34	2.34	11.59 ( 3.50 - 13.10 )	3.56 ( 0.95 - 5.49 )	15.64	99
18+18+18+20+25+35	1.63	1.63	1.63	1.81	2.26	3.16	12.12 ( 3.50 - 13.50 )	3.63 ( 0.92 - 5.36 )	15.95	99
18+18+18+20+25+42	1.56	1.56	1.56	1.73	2.16	3.63	12.20 ( 3.50 - 13.50 )	3.62 ( 0.92 - 5.34 )	15.90	99
18+18+18+20+25+50	1.47	1.47	1.47	1.64	2.05	4.09	12.19 ( 3.50 - 13.50 )	3.61 ( 0.92 - 5.32 )	15.84	99
18+18+18+20+25+60	1.38	1.38	1.38	1.53	1.92	4.60	12.19 ( 3.50 - 13.50 )	3.60 ( 0.92 - 5.32 )	15.81	99
18+18+18+20+25+71	1.29	1.29	1.29	1.44	1.79	5.10	12.20 ( 3.50 - 13.50 )	3.60 ( 0.92 - 5.32 )	15.79	99
18+18+18+20+35+35	1.53	1.53	1.53	1.69	2.97	2.97	12.22 ( 3.50 - 13.50 )	3.62 ( 0.92 - 5.33 )	15.88	99

# MXZ-6D122VA COOLING

Indoor units combination	Cooling Capacity (kW)							Outdoor unit power consumption (kW)	Current (A)	Power factor (%)
	Unit A	Unit B	Unit C	Unit D	Unit E	Unit F	Total			
18+18+18+20+35+42	1.45	1.45	1.45	1.62	2.83	3.39	12.19 ( 3.50 - 13.50 )	3.60 ( 0.92 - 5.32 )	15.83	99
18+18+18+20+35+50	1.38	1.38	1.38	1.53	2.69	3.84	12.20 ( 3.50 - 13.50 )	3.60 ( 0.92 - 5.32 )	15.81	99
18+18+18+20+35+60	1.30	1.30	1.30	1.44	2.53	4.33	12.20 ( 3.50 - 13.50 )	3.60 ( 0.92 - 5.32 )	15.79	99
18+18+18+20+35+71	1.22	1.22	1.22	1.36	2.37	4.81	12.20 ( 3.50 - 13.50 )	3.59 ( 0.92 - 5.32 )	15.77	99
18+18+18+20+42+42	1.39	1.39	1.39	1.54	3.24	3.24	12.19 ( 3.50 - 13.50 )	3.60 ( 0.92 - 5.32 )	15.82	99
18+18+18+20+42+50	1.32	1.32	1.32	1.47	3.09	3.67	12.19 ( 3.50 - 13.50 )	3.60 ( 0.92 - 5.32 )	15.80	99
18+18+18+20+42+60	1.25	1.25	1.25	1.39	2.91	4.16	12.21 ( 3.50 - 13.50 )	3.59 ( 0.92 - 5.32 )	15.78	99
18+18+18+20+50+50	1.26	1.26	1.26	1.40	3.51	3.51	12.20 ( 3.50 - 13.50 )	3.59 ( 0.92 - 5.32 )	15.78	99
18+18+18+22+22+22	1.71	1.71	1.71	2.09	2.09	2.09	11.40 ( 3.50 - 12.80 )	3.52 ( 0.96 - 5.59 )	15.46	99
18+18+18+22+22+25	1.70	1.70	1.70	2.07	2.07	2.36	11.60 ( 3.50 - 12.90 )	3.55 ( 0.95 - 5.56 )	15.60	99
18+18+18+22+22+35	1.62	1.62	1.62	1.98	1.98	3.16	11.98 ( 3.50 - 13.50 )	3.63 ( 0.92 - 5.36 )	15.95	99
18+18+18+22+22+42	1.57	1.57	1.57	1.92	1.92	3.66	12.21 ( 3.50 - 13.50 )	3.62 ( 0.92 - 5.35 )	15.91	99
18+18+18+22+22+50	1.48	1.48	1.48	1.81	1.81	4.12	12.18 ( 3.50 - 13.50 )	3.61 ( 0.92 - 5.32 )	15.85	99
18+18+18+22+22+60	1.39	1.39	1.39	1.70	1.70	4.63	12.20 ( 3.50 - 13.50 )	3.60 ( 0.92 - 5.32 )	15.82	99
18+18+18+22+22+71	1.30	1.30	1.30	1.59	1.59	5.13	12.21 ( 3.50 - 13.50 )	3.60 ( 0.92 - 5.32 )	15.79	99
18+18+18+22+25+25	1.67	1.67	1.67	2.04	2.32	2.32	11.69 ( 3.50 - 13.20 )	3.58 ( 0.93 - 5.46 )	15.74	99
18+18+18+22+25+35	1.60	1.60	1.60	1.96	2.22	3.11	12.09 ( 3.50 - 13.50 )	3.63 ( 0.92 - 5.36 )	15.93	99
18+18+18+22+25+42	1.54	1.54	1.54	1.88	2.13	3.58	12.21 ( 3.50 - 13.50 )	3.62 ( 0.92 - 5.34 )	15.89	99
18+18+18+22+25+50	1.45	1.45	1.45	1.78	2.02	4.04	12.19 ( 3.50 - 13.50 )	3.60 ( 0.92 - 5.32 )	15.83	99
18+18+18+22+25+60	1.36	1.36	1.36	1.67	1.89	4.55	12.19 ( 3.50 - 13.50 )	3.60 ( 0.92 - 5.32 )	15.81	99
18+18+18+22+25+71	1.28	1.28	1.28	1.56	1.77	5.04	12.21 ( 3.50 - 13.50 )	3.59 ( 0.92 - 5.32 )	15.79	99
18+18+18+22+35+35	1.50	1.50	1.50	1.84	2.92	2.92	12.18 ( 3.50 - 13.50 )	3.61 ( 0.92 - 5.33 )	15.86	99
18+18+18+22+35+42	1.44	1.44	1.44	1.75	2.79	3.35	12.21 ( 3.50 - 13.50 )	3.60 ( 0.92 - 5.32 )	15.83	99
18+18+18+22+35+50	1.36	1.36	1.36	1.67	2.65	3.79	12.19 ( 3.50 - 13.50 )	3.60 ( 0.92 - 5.32 )	15.81	99
18+18+18+22+35+60	1.28	1.28	1.28	1.57	2.50	4.28	12.19 ( 3.50 - 13.50 )	3.60 ( 0.92 - 5.32 )	15.79	99
18+18+18+22+42+42	1.37	1.37	1.37	1.68	3.20	3.20	12.19 ( 3.50 - 13.50 )	3.60 ( 0.92 - 5.32 )	15.81	99
18+18+18+22+42+50	1.31	1.31	1.31	1.60	3.05	3.63	12.21 ( 3.50 - 13.50 )	3.60 ( 0.92 - 5.32 )	15.79	99
18+18+18+22+42+60	1.23	1.23	1.23	1.51	2.88	4.11	12.19 ( 3.50 - 13.50 )	3.59 ( 0.92 - 5.32 )	15.77	99
18+18+18+22+50+50	1.25	1.25	1.25	1.53	3.47	3.47	12.22 ( 3.50 - 13.50 )	3.59 ( 0.92 - 5.32 )	15.78	99
18+18+18+25+25+25	1.66	1.66	1.66	2.31	2.31	2.31	11.91 ( 3.50 - 13.40 )	3.62 ( 0.93 - 5.40 )	15.88	99
18+18+18+25+25+35	1.58	1.58	1.58	2.19	2.19	3.07	12.19 ( 3.50 - 13.50 )	3.62 ( 0.92 - 5.35 )	15.91	99
18+18+18+25+25+42	1.50	1.50	1.50	2.09	2.09	3.51	12.19 ( 3.50 - 13.50 )	3.61 ( 0.92 - 5.33 )	15.86	99
18+18+18+25+25+50	1.43	1.43	1.43	1.98	1.98	3.96	12.21 ( 3.50 - 13.50 )	3.60 ( 0.92 - 5.32 )	15.83	99
18+18+18+25+25+60	1.34	1.34	1.34	1.86	1.86	4.46	12.20 ( 3.50 - 13.50 )	3.60 ( 0.92 - 5.32 )	15.81	99
18+18+18+25+25+71	1.25	1.25	1.25	1.74	1.74	4.95	12.18 ( 3.50 - 13.50 )	3.59 ( 0.92 - 5.32 )	15.78	99
18+18+18+25+35+35	1.47	1.47	1.47	2.05	2.87	2.87	12.20 ( 3.50 - 13.50 )	3.61 ( 0.92 - 5.32 )	15.84	99

# MXZ-6D122VA COOLING

Indoor units combination	Cooling Capacity (kW)							Outdoor unit power consumption (kW)	Current (A)	Power factor (%)
	Unit A	Unit B	Unit C	Unit D	Unit E	Unit F	Total			
18+18+18+25+35+42	1.41	1.41	1.41	1.96	2.74	3.28	12.21 ( 3.50 - 13.50 )	3.60 ( 0.92 - 5.32 )	15.82	99
18+18+18+25+35+50	1.34	1.34	1.34	1.86	2.60	3.72	12.20 ( 3.50 - 13.50 )	3.60 ( 0.92 - 5.32 )	15.81	99
18+18+18+25+35+60	1.26	1.26	1.26	1.75	2.45	4.21	12.19 ( 3.50 - 13.50 )	3.59 ( 0.92 - 5.32 )	15.78	99
18+18+18+25+42+42	1.35	1.35	1.35	1.87	3.14	3.14	12.20 ( 3.50 - 13.50 )	3.60 ( 0.92 - 5.32 )	15.81	99
18+18+18+25+42+50	1.28	1.28	1.28	1.78	3.00	3.57	12.19 ( 3.50 - 13.50 )	3.60 ( 0.92 - 5.32 )	15.79	99
18+18+18+25+50+50	1.23	1.23	1.23	1.70	3.41	3.41	12.21 ( 3.50 - 13.50 )	3.59 ( 0.92 - 5.32 )	15.77	99
18+18+18+35+35+35	1.38	1.38	1.38	2.69	2.69	2.69	12.21 ( 3.50 - 13.50 )	3.60 ( 0.92 - 5.32 )	15.81	99
18+18+18+35+35+42	1.32	1.32	1.32	2.57	2.57	3.09	12.19 ( 3.50 - 13.50 )	3.60 ( 0.92 - 5.32 )	15.80	99
18+18+18+35+35+50	1.26	1.26	1.26	2.45	2.45	3.51	12.19 ( 3.50 - 13.50 )	3.59 ( 0.92 - 5.32 )	15.78	99
18+18+18+35+42+42	1.27	1.27	1.27	2.47	2.96	2.96	12.20 ( 3.50 - 13.50 )	3.59 ( 0.92 - 5.32 )	15.79	99
18+18+18+42+42+42	1.22	1.22	1.22	2.85	2.85	2.85	12.21 ( 3.50 - 13.50 )	3.59 ( 0.92 - 5.32 )	15.77	99
18+18+20+20+20+20	1.72	1.72	1.91	1.91	1.91	1.91	11.08 ( 3.50 - 12.60 )	3.37 ( 0.96 - 5.65 )	14.80	99
18+18+20+20+20+22	1.71	1.71	1.90	1.90	1.90	2.09	11.21 ( 3.50 - 12.60 )	3.46 ( 0.96 - 5.65 )	15.21	99
18+18+20+20+20+25	1.71	1.71	1.90	1.90	1.90	2.38	11.50 ( 3.50 - 12.80 )	3.53 ( 0.96 - 5.59 )	15.50	99
18+18+20+20+20+35	1.65	1.65	1.83	1.83	1.83	3.21	12.00 ( 3.50 - 13.50 )	3.64 ( 0.92 - 5.37 )	15.97	99
18+18+20+20+20+42	1.59	1.59	1.77	1.77	1.77	3.71	12.20 ( 3.50 - 13.50 )	3.62 ( 0.92 - 5.35 )	15.92	99
18+18+20+20+20+50	1.50	1.50	1.67	1.67	1.67	4.18	12.19 ( 3.50 - 13.50 )	3.61 ( 0.92 - 5.33 )	15.86	99
18+18+20+20+20+60	1.41	1.41	1.56	1.56	1.56	4.69	12.19 ( 3.50 - 13.50 )	3.60 ( 0.92 - 5.32 )	15.82	99
18+18+20+20+20+71	1.31	1.31	1.46	1.46	1.46	5.19	12.19 ( 3.50 - 13.50 )	3.60 ( 0.92 - 5.32 )	15.80	99
18+18+20+20+22+22	1.71	1.71	1.90	1.90	2.09	2.09	11.40 ( 3.50 - 12.80 )	3.52 ( 0.96 - 5.59 )	15.46	99
18+18+20+20+22+25	1.70	1.70	1.89	1.89	2.07	2.36	11.61 ( 3.50 - 12.90 )	3.55 ( 0.95 - 5.56 )	15.60	99
18+18+20+20+22+35	1.62	1.62	1.80	1.80	1.98	3.16	11.98 ( 3.50 - 13.50 )	3.63 ( 0.92 - 5.36 )	15.95	99
18+18+20+20+22+42	1.57	1.57	1.74	1.74	1.92	3.66	12.20 ( 3.50 - 13.50 )	3.62 ( 0.92 - 5.35 )	15.91	99
18+18+20+20+22+50	1.48	1.48	1.65	1.65	1.81	4.12	12.19 ( 3.50 - 13.50 )	3.61 ( 0.92 - 5.32 )	15.85	99
18+18+20+20+22+60	1.39	1.39	1.54	1.54	1.70	4.63	12.19 ( 3.50 - 13.50 )	3.60 ( 0.92 - 5.32 )	15.82	99
18+18+20+20+22+71	1.30	1.30	1.44	1.44	1.59	5.13	12.20 ( 3.50 - 13.50 )	3.60 ( 0.92 - 5.32 )	15.79	99
18+18+20+20+25+25	1.67	1.67	1.86	1.86	2.32	2.32	11.70 ( 3.50 - 13.20 )	3.58 ( 0.93 - 5.46 )	15.74	99
18+18+20+20+25+35	1.60	1.60	1.78	1.78	2.22	3.11	12.09 ( 3.50 - 13.50 )	3.63 ( 0.92 - 5.36 )	15.93	99
18+18+20+20+25+42	1.54	1.54	1.71	1.71	2.13	3.58	12.21 ( 3.50 - 13.50 )	3.62 ( 0.92 - 5.34 )	15.89	99
18+18+20+20+25+50	1.45	1.45	1.62	1.62	2.02	4.04	12.20 ( 3.50 - 13.50 )	3.60 ( 0.92 - 5.32 )	15.83	99
18+18+20+20+25+60	1.36	1.36	1.52	1.52	1.89	4.55	12.20 ( 3.50 - 13.50 )	3.60 ( 0.92 - 5.32 )	15.81	99
18+18+20+20+25+71	1.28	1.28	1.42	1.42	1.77	5.04	12.21 ( 3.50 - 13.50 )	3.59 ( 0.92 - 5.32 )	15.79	99
18+18+20+20+35+35	1.50	1.50	1.67	1.67	2.92	2.92	12.18 ( 3.50 - 13.50 )	3.61 ( 0.92 - 5.33 )	15.86	99
18+18+20+20+35+42	1.44	1.44	1.59	1.59	2.79	3.35	12.20 ( 3.50 - 13.50 )	3.60 ( 0.92 - 5.32 )	15.83	99
18+18+20+20+35+50	1.36	1.36	1.52	1.52	2.65	3.79	12.20 ( 3.50 - 13.50 )	3.60 ( 0.92 - 5.32 )	15.81	99
18+18+20+20+35+60	1.28	1.28	1.43	1.43	2.50	4.28	12.20 ( 3.50 - 13.50 )	3.60 ( 0.92 - 5.32 )	15.79	99

# MXZ-6D122VA COOLING

Indoor units combination	Cooling Capacity (kW)							Outdoor unit power consumption (kW)	Current (A)	Power factor (%)
	Unit A	Unit B	Unit C	Unit D	Unit E	Unit F	Total			
18+18+20+20+42+42	1.37	1.37	1.53	1.53	3.20	3.20	12.20 ( 3.50 - 13.50 )	3.60 ( 0.92 - 5.32 )	15.81	99
18+18+20+20+42+50	1.31	1.31	1.45	1.45	3.05	3.63	12.20 ( 3.50 - 13.50 )	3.60 ( 0.92 - 5.32 )	15.79	99
18+18+20+20+42+60	1.23	1.23	1.37	1.37	2.88	4.11	12.19 ( 3.50 - 13.50 )	3.59 ( 0.92 - 5.32 )	15.77	99
18+18+20+20+50+50	1.25	1.25	1.39	1.39	3.47	3.47	12.22 ( 3.50 - 13.50 )	3.59 ( 0.92 - 5.32 )	15.78	99
18+18+20+22+22+22	1.70	1.70	1.89	2.07	2.07	2.07	11.50 ( 3.50 - 12.90 )	3.54 ( 0.95 - 5.56 )	15.55	99
18+18+20+22+22+25	1.68	1.68	1.87	2.06	2.06	2.34	11.69 ( 3.50 - 13.10 )	3.57 ( 0.95 - 5.49 )	15.69	99
18+18+20+22+22+35	1.61	1.61	1.79	1.97	1.97	3.14	12.09 ( 3.50 - 13.50 )	3.63 ( 0.92 - 5.36 )	15.94	99
18+18+20+22+22+42	1.55	1.55	1.72	1.89	1.89	3.61	12.21 ( 3.50 - 13.50 )	3.62 ( 0.92 - 5.34 )	15.89	99
18+18+20+22+22+50	1.46	1.46	1.63	1.79	1.79	4.07	12.20 ( 3.50 - 13.50 )	3.61 ( 0.92 - 5.32 )	15.83	99
18+18+20+22+22+60	1.37	1.37	1.53	1.68	1.68	4.58	12.21 ( 3.50 - 13.50 )	3.60 ( 0.92 - 5.32 )	15.81	99
18+18+20+22+22+71	1.28	1.28	1.43	1.57	1.57	5.07	12.20 ( 3.50 - 13.50 )	3.60 ( 0.92 - 5.32 )	15.79	99
18+18+20+22+25+25	1.66	1.66	1.84	2.03	2.30	2.30	11.79 ( 3.50 - 13.40 )	3.60 ( 0.93 - 5.40 )	15.83	99
18+18+20+22+25+35	1.59	1.59	1.77	1.94	2.21	3.09	12.19 ( 3.50 - 13.50 )	3.62 ( 0.92 - 5.35 )	15.92	99
18+18+20+22+25+42	1.51	1.51	1.68	1.85	2.10	3.53	12.18 ( 3.50 - 13.50 )	3.61 ( 0.92 - 5.33 )	15.87	99
18+18+20+22+25+50	1.44	1.44	1.59	1.75	1.99	3.99	12.20 ( 3.50 - 13.50 )	3.60 ( 0.92 - 5.32 )	15.83	99
18+18+20+22+25+60	1.35	1.35	1.50	1.65	1.87	4.49	12.21 ( 3.50 - 13.50 )	3.60 ( 0.92 - 5.32 )	15.81	99
18+18+20+22+25+71	1.26	1.26	1.40	1.54	1.75	4.98	12.19 ( 3.50 - 13.50 )	3.59 ( 0.92 - 5.32 )	15.78	99
18+18+20+22+35+35	1.48	1.48	1.65	1.81	2.89	2.89	12.20 ( 3.50 - 13.50 )	3.61 ( 0.92 - 5.32 )	15.85	99
18+18+20+22+35+42	1.42	1.42	1.57	1.73	2.75	3.31	12.20 ( 3.50 - 13.50 )	3.60 ( 0.92 - 5.32 )	15.82	99
18+18+20+22+35+50	1.35	1.35	1.50	1.65	2.62	3.74	12.21 ( 3.50 - 13.50 )	3.60 ( 0.92 - 5.32 )	15.81	99
18+18+20+22+35+60	1.27	1.27	1.41	1.55	2.47	4.23	12.20 ( 3.50 - 13.50 )	3.59 ( 0.92 - 5.32 )	15.79	99
18+18+20+22+42+42	1.36	1.36	1.51	1.66	3.16	3.16	12.21 ( 3.50 - 13.50 )	3.60 ( 0.92 - 5.32 )	15.81	99
18+18+20+22+42+50	1.29	1.29	1.44	1.58	3.01	3.59	12.20 ( 3.50 - 13.50 )	3.60 ( 0.92 - 5.32 )	15.79	99
18+18+20+22+42+60	1.22	1.22	1.36	1.49	2.85	4.07	12.21 ( 3.50 - 13.50 )	3.59 ( 0.92 - 5.32 )	15.77	99
18+18+20+22+50+50	1.23	1.23	1.37	1.51	3.43	3.43	12.20 ( 3.50 - 13.50 )	3.59 ( 0.92 - 5.32 )	15.77	99
18+18+20+25+25+25	1.65	1.65	1.83	2.29	2.29	2.29	12.00 ( 3.50 - 13.50 )	3.64 ( 0.92 - 5.37 )	15.97	99
18+18+20+25+25+35	1.56	1.56	1.73	2.16	2.16	3.03	12.20 ( 3.50 - 13.50 )	3.62 ( 0.92 - 5.34 )	15.90	99
18+18+20+25+25+42	1.48	1.48	1.65	2.06	2.06	3.46	12.19 ( 3.50 - 13.50 )	3.61 ( 0.92 - 5.32 )	15.85	99
18+18+20+25+25+50	1.41	1.41	1.56	1.96	1.96	3.91	12.21 ( 3.50 - 13.50 )	3.60 ( 0.92 - 5.32 )	15.82	99
18+18+20+25+25+60	1.32	1.32	1.47	1.84	1.84	4.41	12.20 ( 3.50 - 13.50 )	3.60 ( 0.92 - 5.32 )	15.80	99
18+18+20+25+25+71	1.24	1.24	1.38	1.72	1.72	4.89	12.19 ( 3.50 - 13.50 )	3.59 ( 0.92 - 5.32 )	15.78	99
18+18+20+25+35+35	1.45	1.45	1.62	2.02	2.83	2.83	12.20 ( 3.50 - 13.50 )	3.60 ( 0.92 - 5.32 )	15.83	99
18+18+20+25+35+42	1.39	1.39	1.54	1.93	2.70	3.24	12.19 ( 3.50 - 13.50 )	3.60 ( 0.92 - 5.32 )	15.82	99
18+18+20+25+35+50	1.32	1.32	1.47	1.84	2.57	3.67	12.19 ( 3.50 - 13.50 )	3.60 ( 0.92 - 5.32 )	15.80	99
18+18+20+25+35+60	1.25	1.25	1.39	1.73	2.43	4.16	12.21 ( 3.50 - 13.50 )	3.59 ( 0.92 - 5.32 )	15.78	99
18+18+20+25+42+42	1.33	1.33	1.48	1.85	3.11	3.11	12.21 ( 3.50 - 13.50 )	3.60 ( 0.92 - 5.32 )	15.80	99

# MXZ-6D122VA COOLING

Indoor units combination	Cooling Capacity (kW)							Outdoor unit power consumption (kW)	Current (A)	Power factor (%)
	Unit A	Unit B	Unit C	Unit D	Unit E	Unit F	Total			
18+18+20+25+42+50	1.27	1.27	1.41	1.76	2.96	3.53	12.20 ( 3.50 - 13.50 )	3.59 ( 0.92 - 5.32 )	15.79	99
18+18+20+35+35+35	1.36	1.36	1.52	2.65	2.65	2.65	12.19 ( 3.50 - 13.50 )	3.60 ( 0.92 - 5.32 )	15.81	99
18+18+20+35+35+42	1.31	1.31	1.45	2.54	2.54	3.05	12.20 ( 3.50 - 13.50 )	3.60 ( 0.92 - 5.32 )	15.79	99
18+18+20+35+35+50	1.25	1.25	1.39	2.43	2.43	3.47	12.22 ( 3.50 - 13.50 )	3.59 ( 0.92 - 5.32 )	15.78	99
18+18+20+35+42+42	1.25	1.25	1.39	2.44	2.93	2.93	12.19 ( 3.50 - 13.50 )	3.59 ( 0.92 - 5.32 )	15.78	99
18+18+22+22+22+22	1.68	1.68	2.06	2.06	2.06	2.06	11.60 ( 3.50 - 13.10 )	3.56 ( 0.95 - 5.49 )	15.64	99
18+18+22+22+22+25	1.67	1.67	2.04	2.04	2.04	2.32	11.78 ( 3.50 - 13.20 )	3.59 ( 0.93 - 5.46 )	15.78	99
18+18+22+22+22+35	1.59	1.59	1.94	1.94	1.94	3.09	12.09 ( 3.50 - 13.50 )	3.63 ( 0.92 - 5.35 )	15.93	99
18+18+22+22+22+42	1.53	1.53	1.86	1.86	1.86	3.56	12.20 ( 3.50 - 13.50 )	3.62 ( 0.92 - 5.33 )	15.88	99
18+18+22+22+22+50	1.44	1.44	1.77	1.77	1.77	4.01	12.20 ( 3.50 - 13.50 )	3.60 ( 0.92 - 5.32 )	15.83	99
18+18+22+22+22+60	1.36	1.36	1.66	1.66	1.66	4.52	12.22 ( 3.50 - 13.50 )	3.60 ( 0.92 - 5.32 )	15.81	99
18+18+22+22+22+71	1.27	1.27	1.55	1.55	1.55	5.01	12.20 ( 3.50 - 13.50 )	3.59 ( 0.92 - 5.32 )	15.79	99
18+18+22+22+25+25	1.65	1.65	2.01	2.01	2.29	2.29	11.90 ( 3.50 - 13.50 )	3.63 ( 0.92 - 5.37 )	15.92	99
18+18+22+22+25+35	1.57	1.57	1.92	1.92	2.18	3.05	12.21 ( 3.50 - 13.50 )	3.62 ( 0.92 - 5.35 )	15.91	99
18+18+22+22+25+42	1.49	1.49	1.83	1.83	2.07	3.49	12.20 ( 3.50 - 13.50 )	3.61 ( 0.92 - 5.33 )	15.85	99
18+18+22+22+25+50	1.42	1.42	1.73	1.73	1.97	3.94	12.21 ( 3.50 - 13.50 )	3.60 ( 0.92 - 5.32 )	15.82	99
18+18+22+22+25+60	1.33	1.33	1.63	1.63	1.85	4.44	12.21 ( 3.50 - 13.50 )	3.60 ( 0.92 - 5.32 )	15.80	99
18+18+22+22+25+71	1.25	1.25	1.53	1.53	1.73	4.92	12.21 ( 3.50 - 13.50 )	3.59 ( 0.92 - 5.32 )	15.78	99
18+18+22+22+35+35	1.46	1.46	1.79	1.79	2.85	2.85	12.20 ( 3.50 - 13.50 )	3.61 ( 0.92 - 5.32 )	15.83	99
18+18+22+22+35+42	1.40	1.40	1.71	1.71	2.72	3.26	12.20 ( 3.50 - 13.50 )	3.60 ( 0.92 - 5.32 )	15.82	99
18+18+22+22+35+50	1.33	1.33	1.63	1.63	2.59	3.70	12.21 ( 3.50 - 13.50 )	3.60 ( 0.92 - 5.32 )	15.80	99
18+18+22+22+35+60	1.25	1.25	1.53	1.53	2.44	4.18	12.18 ( 3.50 - 13.50 )	3.59 ( 0.92 - 5.32 )	15.78	99
18+18+22+22+42+42	1.34	1.34	1.64	1.64	3.12	3.12	12.20 ( 3.50 - 13.50 )	3.60 ( 0.92 - 5.32 )	15.81	99
18+18+22+22+42+50	1.28	1.28	1.56	1.56	2.98	3.55	12.21 ( 3.50 - 13.50 )	3.59 ( 0.92 - 5.32 )	15.79	99
18+18+22+22+50+50	1.22	1.22	1.49	1.49	3.39	3.39	12.20 ( 3.50 - 13.50 )	3.59 ( 0.92 - 5.32 )	15.77	99
18+18+22+25+25+25	1.62	1.62	1.98	2.26	2.26	2.26	12.00 ( 3.50 - 13.50 )	3.63 ( 0.92 - 5.36 )	15.95	99
18+18+22+25+25+35	1.54	1.54	1.88	2.13	2.13	2.99	12.21 ( 3.50 - 13.50 )	3.62 ( 0.92 - 5.34 )	15.89	99
18+18+22+25+25+42	1.46	1.46	1.79	2.03	2.03	3.42	12.19 ( 3.50 - 13.50 )	3.61 ( 0.92 - 5.32 )	15.83	99
18+18+22+25+25+50	1.39	1.39	1.70	1.93	1.93	3.86	12.20 ( 3.50 - 13.50 )	3.60 ( 0.92 - 5.32 )	15.82	99
18+18+22+25+25+60	1.31	1.31	1.60	1.82	1.82	4.36	12.22 ( 3.50 - 13.50 )	3.60 ( 0.92 - 5.32 )	15.79	99
18+18+22+25+25+71	1.23	1.23	1.50	1.70	1.70	4.84	12.20 ( 3.50 - 13.50 )	3.59 ( 0.92 - 5.32 )	15.77	99
18+18+22+25+35+35	1.44	1.44	1.75	1.99	2.79	2.79	12.20 ( 3.50 - 13.50 )	3.60 ( 0.92 - 5.32 )	15.83	99
18+18+22+25+35+42	1.37	1.37	1.68	1.91	2.67	3.20	12.20 ( 3.50 - 13.50 )	3.60 ( 0.92 - 5.32 )	15.81	99
18+18+22+25+35+50	1.31	1.31	1.60	1.82	2.54	3.63	12.21 ( 3.50 - 13.50 )	3.60 ( 0.92 - 5.32 )	15.79	99
18+18+22+25+35+60	1.23	1.23	1.51	1.71	2.40	4.11	12.19 ( 3.50 - 13.50 )	3.59 ( 0.92 - 5.32 )	15.77	99
18+18+22+25+42+42	1.31	1.31	1.61	1.83	3.07	3.07	12.20 ( 3.50 - 13.50 )	3.60 ( 0.92 - 5.32 )	15.80	99

# MXZ-6D122VA COOLING

Indoor units combination	Cooling Capacity (kW)							Outdoor unit power consumption (kW)	Current (A)	Power factor (%)
	Unit A	Unit B	Unit C	Unit D	Unit E	Unit F	Total			
18+18+22+25+42+50	1.25	1.25	1.53	1.74	2.93	3.49	12.19 ( 3.50 - 13.50 )	3.59 ( 0.92 - 5.32 )	15.78	99
18+18+22+35+35+35	1.35	1.35	1.65	2.62	2.62	2.62	12.21 ( 3.50 - 13.50 )	3.60 ( 0.92 - 5.32 )	15.81	99
18+18+22+35+35+42	1.29	1.29	1.58	2.51	2.51	3.01	12.19 ( 3.50 - 13.50 )	3.60 ( 0.92 - 5.32 )	15.79	99
18+18+22+35+35+50	1.23	1.23	1.51	2.40	2.40	3.43	12.20 ( 3.50 - 13.50 )	3.59 ( 0.92 - 5.32 )	15.77	99
18+18+22+35+42+42	1.24	1.24	1.52	2.41	2.89	2.89	12.19 ( 3.50 - 13.50 )	3.59 ( 0.92 - 5.32 )	15.78	99
18+18+25+25+25+25	1.60	1.60	2.22	2.22	2.22	2.22	12.08 ( 3.50 - 13.50 )	3.63 ( 0.92 - 5.36 )	15.93	99
18+18+25+25+25+35	1.50	1.50	2.09	2.09	2.09	2.92	12.19 ( 3.50 - 13.50 )	3.61 ( 0.92 - 5.33 )	15.86	99
18+18+25+25+25+42	1.44	1.44	1.99	1.99	1.99	3.35	12.20 ( 3.50 - 13.50 )	3.60 ( 0.92 - 5.32 )	15.83	99
18+18+25+25+25+50	1.36	1.36	1.89	1.89	1.89	3.79	12.18 ( 3.50 - 13.50 )	3.60 ( 0.92 - 5.32 )	15.81	99
18+18+25+25+25+60	1.28	1.28	1.78	1.78	1.78	4.28	12.18 ( 3.50 - 13.50 )	3.60 ( 0.92 - 5.32 )	15.79	99
18+18+25+25+35+35	1.41	1.41	1.96	1.96	2.74	2.74	12.22 ( 3.50 - 13.50 )	3.60 ( 0.92 - 5.32 )	15.82	99
18+18+25+25+35+42	1.35	1.35	1.87	1.87	2.62	3.14	12.20 ( 3.50 - 13.50 )	3.60 ( 0.92 - 5.32 )	15.81	99
18+18+25+25+35+50	1.28	1.28	1.78	1.78	2.50	3.57	12.19 ( 3.50 - 13.50 )	3.60 ( 0.92 - 5.32 )	15.79	99
18+18+25+25+42+42	1.29	1.29	1.79	1.79	3.01	3.01	12.18 ( 3.50 - 13.50 )	3.60 ( 0.92 - 5.32 )	15.79	99
18+18+25+25+42+50	1.23	1.23	1.71	1.71	2.88	3.43	12.19 ( 3.50 - 13.50 )	3.59 ( 0.92 - 5.32 )	15.77	99
18+18+25+35+35+35	1.32	1.32	1.84	2.57	2.57	2.57	12.19 ( 3.50 - 13.50 )	3.60 ( 0.92 - 5.32 )	15.80	99
18+18+25+35+35+42	1.27	1.27	1.76	2.47	2.47	2.96	12.20 ( 3.50 - 13.50 )	3.59 ( 0.92 - 5.32 )	15.79	99
18+18+25+35+42+42	1.22	1.22	1.69	2.37	2.85	2.85	12.20 ( 3.50 - 13.50 )	3.59 ( 0.92 - 5.32 )	15.77	99
18+18+35+35+35+35	1.25	1.25	2.43	2.43	2.43	2.43	12.22 ( 3.50 - 13.50 )	3.59 ( 0.92 - 5.32 )	15.78	99
18+20+20+20+20+20	1.71	1.90	1.90	1.90	1.90	1.90	11.21 ( 3.50 - 12.60 )	3.46 ( 0.96 - 5.65 )	15.21	99
18+20+20+20+20+22	1.71	1.90	1.90	1.90	1.90	2.09	11.40 ( 3.50 - 12.80 )	3.52 ( 0.96 - 5.59 )	15.46	99
18+20+20+20+20+25	1.70	1.89	1.89	1.89	1.89	2.36	11.62 ( 3.50 - 12.90 )	3.55 ( 0.95 - 5.56 )	15.60	99
18+20+20+20+20+35	1.62	1.80	1.80	1.80	1.80	3.16	11.98 ( 3.50 - 13.50 )	3.63 ( 0.92 - 5.36 )	15.95	99
18+20+20+20+20+42	1.57	1.74	1.74	1.74	1.74	3.66	12.19 ( 3.50 - 13.50 )	3.62 ( 0.92 - 5.35 )	15.91	99
18+20+20+20+20+50	1.48	1.65	1.65	1.65	1.65	4.12	12.20 ( 3.50 - 13.50 )	3.61 ( 0.92 - 5.32 )	15.85	99
18+20+20+20+20+60	1.39	1.54	1.54	1.54	1.54	4.63	12.18 ( 3.50 - 13.50 )	3.60 ( 0.92 - 5.32 )	15.82	99
18+20+20+20+20+71	1.30	1.44	1.44	1.44	1.44	5.13	12.19 ( 3.50 - 13.50 )	3.60 ( 0.92 - 5.32 )	15.79	99
18+20+20+20+22+22	1.70	1.89	1.89	1.89	2.07	2.07	11.51 ( 3.50 - 12.90 )	3.54 ( 0.95 - 5.56 )	15.55	99
18+20+20+20+22+25	1.68	1.87	1.87	1.87	2.06	2.34	11.69 ( 3.50 - 13.10 )	3.57 ( 0.95 - 5.49 )	15.69	99
18+20+20+20+22+35	1.61	1.79	1.79	1.79	1.97	3.14	12.09 ( 3.50 - 13.50 )	3.63 ( 0.92 - 5.36 )	15.94	99
18+20+20+20+22+42	1.55	1.72	1.72	1.72	1.89	3.61	12.21 ( 3.50 - 13.50 )	3.62 ( 0.92 - 5.34 )	15.89	99
18+20+20+20+22+50	1.46	1.63	1.63	1.63	1.79	4.07	12.21 ( 3.50 - 13.50 )	3.61 ( 0.92 - 5.32 )	15.83	99
18+20+20+20+22+60	1.37	1.53	1.53	1.53	1.68	4.58	12.22 ( 3.50 - 13.50 )	3.60 ( 0.92 - 5.32 )	15.81	99
18+20+20+20+22+71	1.28	1.43	1.43	1.43	1.57	5.07	12.21 ( 3.50 - 13.50 )	3.60 ( 0.92 - 5.32 )	15.79	99
18+20+20+20+25+25	1.66	1.84	1.84	1.84	2.30	2.30	11.78 ( 3.50 - 13.40 )	3.60 ( 0.93 - 5.40 )	15.83	99
18+20+20+20+25+35	1.59	1.77	1.77	1.77	2.21	3.09	12.20 ( 3.50 - 13.50 )	3.62 ( 0.92 - 5.35 )	15.92	99

# MXZ-6D122VA COOLING

Indoor units combination	Cooling Capacity (kW)							Outdoor unit power consumption (kW)	Current (A)	Power factor (%)
	Unit A	Unit B	Unit C	Unit D	Unit E	Unit F	Total			
18+20+20+20+25+42	1.51	1.68	1.68	1.68	2.10	3.53	12.18 ( 3.50 - 13.50 )	3.61 ( 0.92 - 5.33 )	15.87	99
18+20+20+20+25+50	1.44	1.59	1.59	1.59	1.99	3.99	12.19 ( 3.50 - 13.50 )	3.60 ( 0.92 - 5.32 )	15.83	99
18+20+20+20+25+60	1.35	1.50	1.50	1.50	1.87	4.49	12.21 ( 3.50 - 13.50 )	3.60 ( 0.92 - 5.32 )	15.81	99
18+20+20+20+25+71	1.26	1.40	1.40	1.40	1.75	4.98	12.19 ( 3.50 - 13.50 )	3.59 ( 0.92 - 5.32 )	15.78	99
18+20+20+20+35+35	1.48	1.65	1.65	1.65	2.89	2.89	12.21 ( 3.50 - 13.50 )	3.61 ( 0.92 - 5.32 )	15.85	99
18+20+20+20+35+42	1.42	1.57	1.57	1.57	2.75	3.31	12.19 ( 3.50 - 13.50 )	3.60 ( 0.92 - 5.32 )	15.82	99
18+20+20+20+35+50	1.35	1.50	1.50	1.50	2.62	3.74	12.21 ( 3.50 - 13.50 )	3.60 ( 0.92 - 5.32 )	15.81	99
18+20+20+20+35+60	1.27	1.41	1.41	1.41	2.47	4.23	12.20 ( 3.50 - 13.50 )	3.59 ( 0.92 - 5.32 )	15.79	99
18+20+20+20+42+42	1.36	1.51	1.51	1.51	3.16	3.16	12.21 ( 3.50 - 13.50 )	3.60 ( 0.92 - 5.32 )	15.81	99
18+20+20+20+42+50	1.29	1.44	1.44	1.44	3.01	3.59	12.21 ( 3.50 - 13.50 )	3.60 ( 0.92 - 5.32 )	15.79	99
18+20+20+20+42+60	1.22	1.36	1.36	1.36	2.85	4.07	12.22 ( 3.50 - 13.50 )	3.59 ( 0.92 - 5.32 )	15.77	99
18+20+20+20+50+50	1.23	1.37	1.37	1.37	3.43	3.43	12.20 ( 3.50 - 13.50 )	3.59 ( 0.92 - 5.32 )	15.77	99
18+20+20+22+22+22	1.68	1.87	1.87	2.06	2.06	2.06	11.60 ( 3.50 - 13.10 )	3.56 ( 0.95 - 5.49 )	15.64	99
18+20+20+22+22+25	1.67	1.86	1.86	2.04	2.04	2.32	11.79 ( 3.50 - 13.20 )	3.59 ( 0.93 - 5.46 )	15.78	99
18+20+20+22+22+35	1.59	1.77	1.77	1.94	1.94	3.09	12.10 ( 3.50 - 13.50 )	3.63 ( 0.92 - 5.35 )	15.93	99
18+20+20+22+22+42	1.53	1.69	1.69	1.86	1.86	3.56	12.19 ( 3.50 - 13.50 )	3.62 ( 0.92 - 5.33 )	15.88	99
18+20+20+22+22+50	1.44	1.61	1.61	1.77	1.77	4.01	12.21 ( 3.50 - 13.50 )	3.60 ( 0.92 - 5.32 )	15.83	99
18+20+20+22+22+60	1.36	1.51	1.51	1.66	1.66	4.52	12.22 ( 3.50 - 13.50 )	3.60 ( 0.92 - 5.32 )	15.81	99
18+20+20+22+22+71	1.27	1.41	1.41	1.55	1.55	5.01	12.20 ( 3.50 - 13.50 )	3.59 ( 0.92 - 5.32 )	15.79	99
18+20+20+22+25+25	1.65	1.83	1.83	2.01	2.29	2.29	11.90 ( 3.50 - 13.50 )	3.63 ( 0.92 - 5.37 )	15.92	99
18+20+20+22+25+35	1.57	1.74	1.74	1.92	2.18	3.05	12.20 ( 3.50 - 13.50 )	3.62 ( 0.92 - 5.35 )	15.91	99
18+20+20+22+25+42	1.49	1.66	1.66	1.83	2.07	3.49	12.20 ( 3.50 - 13.50 )	3.61 ( 0.92 - 5.33 )	15.85	99
18+20+20+22+25+50	1.42	1.57	1.57	1.73	1.97	3.94	12.20 ( 3.50 - 13.50 )	3.60 ( 0.92 - 5.32 )	15.82	99
18+20+20+22+25+60	1.33	1.48	1.48	1.63	1.85	4.44	12.21 ( 3.50 - 13.50 )	3.60 ( 0.92 - 5.32 )	15.80	99
18+20+20+22+25+71	1.25	1.39	1.39	1.53	1.73	4.92	12.21 ( 3.50 - 13.50 )	3.59 ( 0.92 - 5.32 )	15.78	99
18+20+20+22+35+35	1.46	1.63	1.63	1.79	2.85	2.85	12.21 ( 3.50 - 13.50 )	3.61 ( 0.92 - 5.32 )	15.83	99
18+20+20+22+35+42	1.40	1.55	1.55	1.71	2.72	3.26	12.19 ( 3.50 - 13.50 )	3.60 ( 0.92 - 5.32 )	15.82	99
18+20+20+22+35+50	1.33	1.48	1.48	1.63	2.59	3.70	12.21 ( 3.50 - 13.50 )	3.60 ( 0.92 - 5.32 )	15.80	99
18+20+20+22+35+60	1.25	1.39	1.39	1.53	2.44	4.18	12.18 ( 3.50 - 13.50 )	3.59 ( 0.92 - 5.32 )	15.78	99
18+20+20+22+42+42	1.34	1.49	1.49	1.64	3.12	3.12	12.20 ( 3.50 - 13.50 )	3.60 ( 0.92 - 5.32 )	15.81	99
18+20+20+22+42+50	1.28	1.42	1.42	1.56	2.98	3.55	12.21 ( 3.50 - 13.50 )	3.59 ( 0.92 - 5.32 )	15.79	99
18+20+20+22+50+50	1.22	1.36	1.36	1.49	3.39	3.39	12.21 ( 3.50 - 13.50 )	3.59 ( 0.92 - 5.32 )	15.77	99
18+20+20+25+25+25	1.62	1.80	1.80	2.26	2.26	2.26	12.00 ( 3.50 - 13.50 )	3.63 ( 0.92 - 5.36 )	15.95	99
18+20+20+25+25+35	1.54	1.71	1.71	2.13	2.13	2.99	12.21 ( 3.50 - 13.50 )	3.62 ( 0.92 - 5.34 )	15.89	99
18+20+20+25+25+42	1.46	1.63	1.63	2.03	2.03	3.42	12.20 ( 3.50 - 13.50 )	3.61 ( 0.92 - 5.32 )	15.83	99
18+20+20+25+25+50	1.39	1.54	1.54	1.93	1.93	3.86	12.19 ( 3.50 - 13.50 )	3.60 ( 0.92 - 5.32 )	15.82	99

# MXZ-6D122VA COOLING

Indoor units combination	Cooling Capacity (kW)							Outdoor unit power consumption (kW)	Current (A)	Power factor (%)
	Unit A	Unit B	Unit C	Unit D	Unit E	Unit F	Total			
18+20+20+25+25+60	1.31	1.45	1.45	1.82	1.82	4.36	12.21 ( 3.50 - 13.50 )	3.60 ( 0.92 - 5.32 )	15.79	99
18+20+20+25+25+71	1.23	1.36	1.36	1.70	1.70	4.84	12.19 ( 3.50 - 13.50 )	3.59 ( 0.92 - 5.32 )	15.77	99
18+20+20+25+35+35	1.44	1.59	1.59	1.99	2.79	2.79	12.19 ( 3.50 - 13.50 )	3.60 ( 0.92 - 5.32 )	15.83	99
18+20+20+25+35+42	1.37	1.53	1.53	1.91	2.67	3.20	12.21 ( 3.50 - 13.50 )	3.60 ( 0.92 - 5.32 )	15.81	99
18+20+20+25+35+50	1.31	1.45	1.45	1.82	2.54	3.63	12.20 ( 3.50 - 13.50 )	3.60 ( 0.92 - 5.32 )	15.79	99
18+20+20+25+35+60	1.23	1.37	1.37	1.71	2.40	4.11	12.19 ( 3.50 - 13.50 )	3.59 ( 0.92 - 5.32 )	15.77	99
18+20+20+25+42+42	1.31	1.46	1.46	1.83	3.07	3.07	12.20 ( 3.50 - 13.50 )	3.60 ( 0.92 - 5.32 )	15.80	99
18+20+20+25+42+50	1.25	1.39	1.39	1.74	2.93	3.49	12.19 ( 3.50 - 13.50 )	3.59 ( 0.92 - 5.32 )	15.78	99
18+20+20+35+35+35	1.35	1.50	1.50	2.62	2.62	2.62	12.21 ( 3.50 - 13.50 )	3.60 ( 0.92 - 5.32 )	15.81	99
18+20+20+35+35+42	1.29	1.44	1.44	2.51	2.51	3.01	12.20 ( 3.50 - 13.50 )	3.60 ( 0.92 - 5.32 )	15.79	99
18+20+20+35+35+50	1.23	1.37	1.37	2.40	2.40	3.43	12.20 ( 3.50 - 13.50 )	3.59 ( 0.92 - 5.32 )	15.77	99
18+20+20+35+42+42	1.24	1.38	1.38	2.41	2.89	2.89	12.19 ( 3.50 - 13.50 )	3.59 ( 0.92 - 5.32 )	15.78	99
18+20+22+22+22+22	1.67	1.86	2.04	2.04	2.04	2.04	11.69 ( 3.50 - 13.20 )	3.58 ( 0.93 - 5.46 )	15.74	99
18+20+22+22+22+25	1.66	1.84	2.03	2.03	2.03	2.31	11.90 ( 3.50 - 13.40 )	3.62 ( 0.93 - 5.40 )	15.88	99
18+20+22+22+22+35	1.58	1.76	1.93	1.93	1.93	3.07	12.20 ( 3.50 - 13.50 )	3.62 ( 0.92 - 5.35 )	15.91	99
18+20+22+22+22+42	1.50	1.67	1.84	1.84	1.84	3.51	12.20 ( 3.50 - 13.50 )	3.61 ( 0.92 - 5.33 )	15.86	99
18+20+22+22+22+50	1.43	1.58	1.74	1.74	1.74	3.96	12.19 ( 3.50 - 13.50 )	3.60 ( 0.92 - 5.32 )	15.83	99
18+20+22+22+22+60	1.34	1.49	1.64	1.64	1.64	4.46	12.21 ( 3.50 - 13.50 )	3.60 ( 0.92 - 5.32 )	15.81	99
18+20+22+22+22+71	1.25	1.39	1.53	1.53	1.53	4.95	12.18 ( 3.50 - 13.50 )	3.59 ( 0.92 - 5.32 )	15.78	99
18+20+22+22+25+25	1.64	1.82	2.00	2.00	2.27	2.27	12.00 ( 3.50 - 13.50 )	3.63 ( 0.92 - 5.37 )	15.96	99
18+20+22+22+25+35	1.55	1.72	1.89	1.89	2.15	3.01	12.21 ( 3.50 - 13.50 )	3.62 ( 0.92 - 5.34 )	15.89	99
18+20+22+22+25+42	1.47	1.64	1.80	1.80	2.05	3.44	12.20 ( 3.50 - 13.50 )	3.61 ( 0.92 - 5.32 )	15.84	99
18+20+22+22+25+50	1.40	1.55	1.71	1.71	1.94	3.89	12.20 ( 3.50 - 13.50 )	3.60 ( 0.92 - 5.32 )	15.82	99
18+20+22+22+25+60	1.31	1.46	1.61	1.61	1.83	4.38	12.20 ( 3.50 - 13.50 )	3.60 ( 0.92 - 5.32 )	15.80	99
18+20+22+22+25+71	1.23	1.37	1.51	1.51	1.71	4.87	12.20 ( 3.50 - 13.50 )	3.59 ( 0.92 - 5.32 )	15.77	99
18+20+22+22+35+35	1.44	1.61	1.77	1.77	2.81	2.81	12.21 ( 3.50 - 13.50 )	3.60 ( 0.92 - 5.32 )	15.83	99
18+20+22+22+35+42	1.38	1.53	1.69	1.69	2.69	3.22	12.20 ( 3.50 - 13.50 )	3.60 ( 0.92 - 5.32 )	15.81	99
18+20+22+22+35+50	1.31	1.46	1.61	1.61	2.56	3.65	12.20 ( 3.50 - 13.50 )	3.60 ( 0.92 - 5.32 )	15.80	99
18+20+22+22+35+60	1.24	1.38	1.52	1.52	2.41	4.14	12.21 ( 3.50 - 13.50 )	3.59 ( 0.92 - 5.32 )	15.78	99
18+20+22+22+42+42	1.32	1.47	1.62	1.62	3.09	3.09	12.21 ( 3.50 - 13.50 )	3.60 ( 0.92 - 5.32 )	15.80	99
18+20+22+22+42+50	1.26	1.40	1.54	1.54	2.94	3.51	12.19 ( 3.50 - 13.50 )	3.59 ( 0.92 - 5.32 )	15.78	99
18+20+22+25+25+25	1.61	1.79	1.97	2.24	2.24	2.24	12.09 ( 3.50 - 13.50 )	3.63 ( 0.92 - 5.36 )	15.94	99
18+20+22+25+25+35	1.51	1.68	1.85	2.10	2.10	2.94	12.18 ( 3.50 - 13.50 )	3.61 ( 0.92 - 5.33 )	15.87	99
18+20+22+25+25+42	1.44	1.61	1.77	2.01	2.01	3.37	12.21 ( 3.50 - 13.50 )	3.60 ( 0.92 - 5.32 )	15.83	99
18+20+22+25+25+50	1.37	1.53	1.68	1.91	1.91	3.81	12.21 ( 3.50 - 13.50 )	3.60 ( 0.92 - 5.32 )	15.81	99
18+20+22+25+25+60	1.29	1.44	1.58	1.79	1.79	4.31	12.20 ( 3.50 - 13.50 )	3.60 ( 0.92 - 5.32 )	15.79	99



# MXZ-6D122VA COOLING

Indoor units combination	Cooling Capacity (kW)							Outdoor unit power consumption (kW)	Current (A)	Power factor (%)
	Unit A	Unit B	Unit C	Unit D	Unit E	Unit F	Total			
18+20+22+25+35+35	1.42	1.57	1.73	1.97	2.75	2.75	12.19 ( 3.50 - 13.50 )	3.60 ( 0.92 - 5.32 )	15.82	99
18+20+22+25+35+42	1.36	1.51	1.66	1.88	2.64	3.16	12.21 ( 3.50 - 13.50 )	3.60 ( 0.92 - 5.32 )	15.81	99
18+20+22+25+35+50	1.29	1.44	1.58	1.79	2.51	3.59	12.20 ( 3.50 - 13.50 )	3.60 ( 0.92 - 5.32 )	15.79	99
18+20+22+25+35+60	1.22	1.36	1.49	1.69	2.37	4.07	12.20 ( 3.50 - 13.50 )	3.59 ( 0.92 - 5.32 )	15.77	99
18+20+22+25+42+42	1.30	1.44	1.59	1.80	3.03	3.03	12.19 ( 3.50 - 13.50 )	3.60 ( 0.92 - 5.32 )	15.79	99
18+20+22+25+42+50	1.24	1.38	1.52	1.72	2.89	3.45	12.20 ( 3.50 - 13.50 )	3.59 ( 0.92 - 5.32 )	15.78	99
18+20+22+35+35+35	1.33	1.48	1.63	2.59	2.59	2.59	12.21 ( 3.50 - 13.50 )	3.60 ( 0.92 - 5.32 )	15.80	99
18+20+22+35+35+42	1.28	1.42	1.56	2.48	2.48	2.98	12.20 ( 3.50 - 13.50 )	3.59 ( 0.92 - 5.32 )	15.79	99
18+20+22+35+35+50	1.22	1.36	1.49	2.37	2.37	3.39	12.20 ( 3.50 - 13.50 )	3.59 ( 0.92 - 5.32 )	15.77	99
18+20+22+35+42+42	1.23	1.36	1.50	2.39	2.86	2.86	12.20 ( 3.50 - 13.50 )	3.59 ( 0.92 - 5.32 )	15.77	99
18+20+25+25+25+25	1.59	1.77	2.21	2.21	2.21	2.21	12.20 ( 3.50 - 13.50 )	3.62 ( 0.92 - 5.35 )	15.92	99
18+20+25+25+25+35	1.48	1.65	2.06	2.06	2.06	2.89	12.20 ( 3.50 - 13.50 )	3.61 ( 0.92 - 5.32 )	15.85	99
18+20+25+25+25+42	1.42	1.57	1.97	1.97	1.97	3.31	12.21 ( 3.50 - 13.50 )	3.60 ( 0.92 - 5.32 )	15.82	99
18+20+25+25+25+50	1.35	1.50	1.87	1.87	1.87	3.74	12.20 ( 3.50 - 13.50 )	3.60 ( 0.92 - 5.32 )	15.81	99
18+20+25+25+25+60	1.27	1.41	1.76	1.76	1.76	4.23	12.19 ( 3.50 - 13.50 )	3.59 ( 0.92 - 5.32 )	15.79	99
18+20+25+25+35+35	1.39	1.54	1.93	1.93	2.70	2.70	12.19 ( 3.50 - 13.50 )	3.60 ( 0.92 - 5.32 )	15.82	99
18+20+25+25+35+42	1.33	1.48	1.85	1.85	2.59	3.11	12.21 ( 3.50 - 13.50 )	3.60 ( 0.92 - 5.32 )	15.80	99
18+20+25+25+35+50	1.27	1.41	1.76	1.76	2.47	3.53	12.20 ( 3.50 - 13.50 )	3.59 ( 0.92 - 5.32 )	15.79	99
18+20+25+25+42+42	1.28	1.42	1.77	1.77	2.98	2.98	12.20 ( 3.50 - 13.50 )	3.59 ( 0.92 - 5.32 )	15.79	99
18+20+25+25+42+50	1.22	1.36	1.69	1.69	2.85	3.39	12.20 ( 3.50 - 13.50 )	3.59 ( 0.92 - 5.32 )	15.77	99
18+20+25+35+35+35	1.31	1.45	1.82	2.54	2.54	2.54	12.20 ( 3.50 - 13.50 )	3.60 ( 0.92 - 5.32 )	15.79	99
18+20+25+35+35+42	1.25	1.39	1.74	2.44	2.44	2.93	12.19 ( 3.50 - 13.50 )	3.59 ( 0.92 - 5.32 )	15.78	99
18+20+35+35+35+35	1.23	1.37	2.40	2.40	2.40	2.40	12.20 ( 3.50 - 13.50 )	3.59 ( 0.92 - 5.32 )	15.77	99
18+22+22+22+22+22	1.66	2.03	2.03	2.03	2.03	2.03	11.81 ( 3.50 - 13.40 )	3.60 ( 0.93 - 5.40 )	15.83	99
18+22+22+22+22+25	1.65	2.02	2.02	2.02	2.02	2.29	12.02 ( 3.50 - 13.50 )	3.64 ( 0.92 - 5.37 )	15.97	99
18+22+22+22+22+35	1.56	1.90	1.90	1.90	1.90	3.03	12.19 ( 3.50 - 13.50 )	3.62 ( 0.92 - 5.34 )	15.90	99
18+22+22+22+22+42	1.48	1.81	1.81	1.81	1.81	3.46	12.18 ( 3.50 - 13.50 )	3.61 ( 0.92 - 5.32 )	15.85	99
18+22+22+22+22+50	1.41	1.72	1.72	1.72	1.72	3.91	12.20 ( 3.50 - 13.50 )	3.60 ( 0.92 - 5.32 )	15.82	99
18+22+22+22+22+60	1.32	1.62	1.62	1.62	1.62	4.41	12.21 ( 3.50 - 13.50 )	3.60 ( 0.92 - 5.32 )	15.80	99
18+22+22+22+22+71	1.24	1.52	1.52	1.52	1.52	4.89	12.21 ( 3.50 - 13.50 )	3.59 ( 0.92 - 5.32 )	15.78	99
18+22+22+22+25+25	1.63	1.99	1.99	1.99	2.26	2.26	12.12 ( 3.50 - 13.50 )	3.63 ( 0.92 - 5.36 )	15.95	99
18+22+22+22+25+35	1.53	1.86	1.86	1.86	2.12	2.97	12.20 ( 3.50 - 13.50 )	3.62 ( 0.92 - 5.33 )	15.88	99
18+22+22+22+25+42	1.45	1.78	1.78	1.78	2.02	3.39	12.20 ( 3.50 - 13.50 )	3.60 ( 0.92 - 5.32 )	15.83	99
18+22+22+22+25+50	1.38	1.69	1.69	1.69	1.92	3.84	12.21 ( 3.50 - 13.50 )	3.60 ( 0.92 - 5.32 )	15.81	99
18+22+22+22+25+60	1.30	1.59	1.59	1.59	1.80	4.33	12.20 ( 3.50 - 13.50 )	3.60 ( 0.92 - 5.32 )	15.79	99
18+22+22+22+25+71	1.22	1.49	1.49	1.49	1.69	4.81	12.19 ( 3.50 - 13.50 )	3.59 ( 0.92 - 5.32 )	15.77	99

# MXZ-6D122VA COOLING

Indoor units combination	Cooling Capacity (kW)							Outdoor unit power consumption (kW)	Current (A)	Power factor (%)
	Unit A	Unit B	Unit C	Unit D	Unit E	Unit F	Total			
18+22+22+22+35+35	1.43	1.74	1.74	1.74	2.77	2.77	12.19 ( 3.50 - 13.50 )	3.60 ( 0.92 - 5.32 )	15.83	99
18+22+22+22+35+42	1.36	1.67	1.67	1.67	2.65	3.18	12.20 ( 3.50 - 13.50 )	3.60 ( 0.92 - 5.32 )	15.81	99
18+22+22+22+35+50	1.30	1.59	1.59	1.59	2.53	3.61	12.21 ( 3.50 - 13.50 )	3.60 ( 0.92 - 5.32 )	15.79	99
18+22+22+22+35+60	1.23	1.50	1.50	1.50	2.39	4.09	12.21 ( 3.50 - 13.50 )	3.59 ( 0.92 - 5.32 )	15.77	99
18+22+22+22+42+42	1.31	1.60	1.60	1.60	3.05	3.05	12.21 ( 3.50 - 13.50 )	3.60 ( 0.92 - 5.32 )	15.79	99
18+22+22+22+42+50	1.25	1.53	1.53	1.53	2.91	3.47	12.22 ( 3.50 - 13.50 )	3.59 ( 0.92 - 5.32 )	15.78	99
18+22+22+25+25+25	1.59	1.94	1.94	2.21	2.21	2.21	12.10 ( 3.50 - 13.50 )	3.63 ( 0.92 - 5.35 )	15.93	99
18+22+22+25+25+35	1.49	1.83	1.83	2.07	2.07	2.90	12.19 ( 3.50 - 13.50 )	3.61 ( 0.92 - 5.33 )	15.85	99
18+22+22+25+25+42	1.43	1.74	1.74	1.98	1.98	3.33	12.20 ( 3.50 - 13.50 )	3.60 ( 0.92 - 5.32 )	15.83	99
18+22+22+25+25+50	1.36	1.66	1.66	1.88	1.88	3.77	12.21 ( 3.50 - 13.50 )	3.60 ( 0.92 - 5.32 )	15.81	99
18+22+22+25+25+60	1.28	1.56	1.56	1.77	1.77	4.26	12.20 ( 3.50 - 13.50 )	3.59 ( 0.92 - 5.32 )	15.79	99
18+22+22+25+35+35	1.40	1.71	1.71	1.94	2.72	2.72	12.20 ( 3.50 - 13.50 )	3.60 ( 0.92 - 5.32 )	15.82	99
18+22+22+25+35+42	1.34	1.64	1.64	1.86	2.60	3.12	12.20 ( 3.50 - 13.50 )	3.60 ( 0.92 - 5.32 )	15.81	99
18+22+22+25+35+50	1.28	1.56	1.56	1.77	2.48	3.55	12.20 ( 3.50 - 13.50 )	3.59 ( 0.92 - 5.32 )	15.79	99
18+22+22+25+42+42	1.28	1.57	1.57	1.78	3.00	3.00	12.20 ( 3.50 - 13.50 )	3.60 ( 0.92 - 5.32 )	15.79	99
18+22+22+25+42+50	1.23	1.50	1.50	1.70	2.86	3.41	12.20 ( 3.50 - 13.50 )	3.59 ( 0.92 - 5.32 )	15.77	99
18+22+22+35+35+35	1.31	1.61	1.61	2.56	2.56	2.56	12.21 ( 3.50 - 13.50 )	3.60 ( 0.92 - 5.32 )	15.80	99
18+22+22+35+35+42	1.26	1.54	1.54	2.45	2.45	2.94	12.18 ( 3.50 - 13.50 )	3.59 ( 0.92 - 5.32 )	15.78	99
18+22+25+25+25+25	1.57	1.92	2.18	2.18	2.18	2.18	12.21 ( 3.50 - 13.50 )	3.62 ( 0.92 - 5.35 )	15.91	99
18+22+25+25+25+35	1.46	1.79	2.03	2.03	2.03	2.85	12.19 ( 3.50 - 13.50 )	3.61 ( 0.92 - 5.32 )	15.83	99
18+22+25+25+25+42	1.40	1.71	1.94	1.94	1.94	3.26	12.19 ( 3.50 - 13.50 )	3.60 ( 0.92 - 5.32 )	15.82	99
18+22+25+25+25+50	1.33	1.63	1.85	1.85	1.85	3.70	12.21 ( 3.50 - 13.50 )	3.60 ( 0.92 - 5.32 )	15.80	99
18+22+25+25+25+60	1.25	1.53	1.74	1.74	1.74	4.18	12.18 ( 3.50 - 13.50 )	3.59 ( 0.92 - 5.32 )	15.78	99
18+22+25+25+35+35	1.37	1.68	1.91	1.91	2.67	2.67	12.21 ( 3.50 - 13.50 )	3.60 ( 0.92 - 5.32 )	15.81	99
18+22+25+25+35+42	1.31	1.61	1.83	1.83	2.56	3.07	12.21 ( 3.50 - 13.50 )	3.60 ( 0.92 - 5.32 )	15.80	99
18+22+25+25+35+50	1.25	1.53	1.74	1.74	2.44	3.49	12.19 ( 3.50 - 13.50 )	3.59 ( 0.92 - 5.32 )	15.78	99
18+22+25+25+42+42	1.26	1.54	1.75	1.75	2.94	2.94	12.18 ( 3.50 - 13.50 )	3.59 ( 0.92 - 5.32 )	15.78	99
18+22+25+35+35+35	1.29	1.58	1.79	2.51	2.51	2.51	12.19 ( 3.50 - 13.50 )	3.60 ( 0.92 - 5.32 )	15.79	99
18+22+25+35+35+42	1.24	1.52	1.72	2.41	2.41	2.89	12.19 ( 3.50 - 13.50 )	3.59 ( 0.92 - 5.32 )	15.78	99
18+22+35+35+35+35	1.22	1.49	2.37	2.37	2.37	2.37	12.19 ( 3.50 - 13.50 )	3.59 ( 0.92 - 5.32 )	15.77	99
18+25+25+25+25+25	1.54	2.13	2.13	2.13	2.13	2.13	12.19 ( 3.50 - 13.50 )	3.62 ( 0.92 - 5.34 )	15.89	99
18+25+25+25+25+35	1.44	1.99	1.99	1.99	1.99	2.79	12.19 ( 3.50 - 13.50 )	3.60 ( 0.92 - 5.32 )	15.83	99
18+25+25+25+25+42	1.37	1.91	1.91	1.91	1.91	3.20	12.21 ( 3.50 - 13.50 )	3.60 ( 0.92 - 5.32 )	15.81	99
18+25+25+25+25+50	1.31	1.82	1.82	1.82	1.82	3.63	12.22 ( 3.50 - 13.50 )	3.60 ( 0.92 - 5.32 )	15.79	99
18+25+25+25+25+60	1.23	1.71	1.71	1.71	1.71	4.11	12.18 ( 3.50 - 13.50 )	3.59 ( 0.92 - 5.32 )	15.77	99
18+25+25+25+35+35	1.35	1.87	1.87	1.87	2.62	2.62	12.20 ( 3.50 - 13.50 )	3.60 ( 0.92 - 5.32 )	15.81	99

# MXZ-6D122VA COOLING

Indoor units combination	Cooling Capacity (kW)							Outdoor unit power consumption (kW)	Current (A)	Power factor (%)
	Unit A	Unit B	Unit C	Unit D	Unit E	Unit F	Total			
18+25+25+25+35+42	1.29	1.79	1.79	1.79	2.51	3.01	12.18 ( 3.50 - 13.50 )	3.60 ( 0.92 - 5.32 )	15.79	99
18+25+25+25+35+50	1.23	1.71	1.71	1.71	2.40	3.43	12.19 ( 3.50 - 13.50 )	3.59 ( 0.92 - 5.32 )	15.77	99
18+25+25+25+42+42	1.24	1.72	1.72	1.72	2.89	2.89	12.18 ( 3.50 - 13.50 )	3.59 ( 0.92 - 5.32 )	15.78	99
18+25+25+35+35+35	1.27	1.76	1.76	2.47	2.47	2.47	12.20 ( 3.50 - 13.50 )	3.59 ( 0.92 - 5.32 )	15.79	99
18+25+25+35+35+42	1.22	1.69	1.69	2.37	2.37	2.85	12.19 ( 3.50 - 13.50 )	3.59 ( 0.92 - 5.32 )	15.77	99
20+20+20+20+20+20	1.90	1.90	1.90	1.90	1.90	1.90	11.40 ( 3.50 - 12.80 )	3.52 ( 0.96 - 5.59 )	15.46	99
20+20+20+20+20+22	1.89	1.89	1.89	1.89	1.89	2.07	11.52 ( 3.50 - 12.90 )	3.54 ( 0.95 - 5.56 )	15.55	99
20+20+20+20+20+25	1.87	1.87	1.87	1.87	1.87	2.34	11.69 ( 3.50 - 13.10 )	3.57 ( 0.95 - 5.49 )	15.69	99
20+20+20+20+20+35	1.79	1.79	1.79	1.79	1.79	3.14	12.09 ( 3.50 - 13.50 )	3.63 ( 0.92 - 5.36 )	15.94	99
20+20+20+20+20+42	1.72	1.72	1.72	1.72	1.72	3.61	12.21 ( 3.50 - 13.50 )	3.62 ( 0.92 - 5.34 )	15.89	99
20+20+20+20+20+50	1.63	1.63	1.63	1.63	1.63	4.07	12.22 ( 3.50 - 13.50 )	3.61 ( 0.92 - 5.32 )	15.83	99
20+20+20+20+20+60	1.53	1.53	1.53	1.53	1.53	4.58	12.23 ( 3.50 - 13.50 )	3.60 ( 0.92 - 5.32 )	15.81	99
20+20+20+20+20+71	1.43	1.43	1.43	1.43	1.43	5.07	12.22 ( 3.50 - 13.50 )	3.60 ( 0.92 - 5.32 )	15.79	99
20+20+20+20+22+22	1.87	1.87	1.87	1.87	2.06	2.06	11.60 ( 3.50 - 13.10 )	3.56 ( 0.95 - 5.49 )	15.64	99
20+20+20+20+22+25	1.86	1.86	1.86	1.86	2.04	2.32	11.80 ( 3.50 - 13.20 )	3.59 ( 0.93 - 5.46 )	15.78	99
20+20+20+20+22+35	1.77	1.77	1.77	1.77	1.94	3.09	12.11 ( 3.50 - 13.50 )	3.63 ( 0.92 - 5.35 )	15.93	99
20+20+20+20+22+42	1.69	1.69	1.69	1.69	1.86	3.56	12.18 ( 3.50 - 13.50 )	3.62 ( 0.92 - 5.33 )	15.88	99
20+20+20+20+22+50	1.61	1.61	1.61	1.61	1.77	4.01	12.22 ( 3.50 - 13.50 )	3.60 ( 0.92 - 5.32 )	15.83	99
20+20+20+20+22+60	1.51	1.51	1.51	1.51	1.66	4.52	12.22 ( 3.50 - 13.50 )	3.60 ( 0.92 - 5.32 )	15.81	99
20+20+20+20+22+71	1.41	1.41	1.41	1.41	1.55	5.01	12.20 ( 3.50 - 13.50 )	3.59 ( 0.92 - 5.32 )	15.79	99
20+20+20+20+25+25	1.83	1.83	1.83	1.83	2.29	2.29	11.90 ( 3.50 - 13.50 )	3.63 ( 0.92 - 5.37 )	15.92	99
20+20+20+20+25+35	1.74	1.74	1.74	1.74	2.18	3.05	12.19 ( 3.50 - 13.50 )	3.62 ( 0.92 - 5.35 )	15.91	99
20+20+20+20+25+42	1.66	1.66	1.66	1.66	2.07	3.49	12.20 ( 3.50 - 13.50 )	3.61 ( 0.92 - 5.33 )	15.85	99
20+20+20+20+25+50	1.57	1.57	1.57	1.57	1.97	3.94	12.19 ( 3.50 - 13.50 )	3.60 ( 0.92 - 5.32 )	15.82	99
20+20+20+20+25+60	1.48	1.48	1.48	1.48	1.85	4.44	12.21 ( 3.50 - 13.50 )	3.60 ( 0.92 - 5.32 )	15.80	99
20+20+20+20+25+71	1.39	1.39	1.39	1.39	1.73	4.92	12.21 ( 3.50 - 13.50 )	3.59 ( 0.92 - 5.32 )	15.78	99
20+20+20+20+35+35	1.63	1.63	1.63	1.63	2.85	2.85	12.22 ( 3.50 - 13.50 )	3.61 ( 0.92 - 5.32 )	15.83	99
20+20+20+20+35+42	1.55	1.55	1.55	1.55	2.72	3.26	12.18 ( 3.50 - 13.50 )	3.60 ( 0.92 - 5.32 )	15.82	99
20+20+20+20+35+50	1.48	1.48	1.48	1.48	2.59	3.70	12.21 ( 3.50 - 13.50 )	3.60 ( 0.92 - 5.32 )	15.80	99
20+20+20+20+35+60	1.39	1.39	1.39	1.39	2.44	4.18	12.18 ( 3.50 - 13.50 )	3.59 ( 0.92 - 5.32 )	15.78	99
20+20+20+20+42+42	1.49	1.49	1.49	1.49	3.12	3.12	12.20 ( 3.50 - 13.50 )	3.60 ( 0.92 - 5.32 )	15.81	99
20+20+20+20+42+50	1.42	1.42	1.42	1.42	2.98	3.55	12.21 ( 3.50 - 13.50 )	3.59 ( 0.92 - 5.32 )	15.79	99
20+20+20+20+50+50	1.36	1.36	1.36	1.36	3.39	3.39	12.22 ( 3.50 - 13.50 )	3.59 ( 0.92 - 5.32 )	15.77	99
20+20+20+22+22+22	1.86	1.86	1.86	2.04	2.04	2.04	11.70 ( 3.50 - 13.20 )	3.58 ( 0.93 - 5.46 )	15.74	99
20+20+20+22+22+25	1.84	1.84	1.84	2.03	2.03	2.31	11.89 ( 3.50 - 13.40 )	3.62 ( 0.93 - 5.40 )	15.88	99
20+20+20+22+22+35	1.76	1.76	1.76	1.93	1.93	3.07	12.21 ( 3.50 - 13.50 )	3.62 ( 0.92 - 5.35 )	15.91	99

# MXZ-6D122VA COOLING

Indoor units combination	Cooling Capacity (kW)							Outdoor unit power consumption (kW)	Current (A)	Power factor (%)
	Unit A	Unit B	Unit C	Unit D	Unit E	Unit F	Total			
20+20+20+22+22+42	1.67	1.67	1.67	1.84	1.84	3.51	12.20 ( 3.50 - 13.50 )	3.61 ( 0.92 - 5.33 )	15.86	99
20+20+20+22+22+50	1.58	1.58	1.58	1.74	1.74	3.96	12.18 ( 3.50 - 13.50 )	3.60 ( 0.92 - 5.32 )	15.83	99
20+20+20+22+22+60	1.49	1.49	1.49	1.64	1.64	4.46	12.21 ( 3.50 - 13.50 )	3.60 ( 0.92 - 5.32 )	15.81	99
20+20+20+22+22+71	1.39	1.39	1.39	1.53	1.53	4.95	12.18 ( 3.50 - 13.50 )	3.59 ( 0.92 - 5.32 )	15.78	99
20+20+20+22+25+25	1.82	1.82	1.82	2.00	2.27	2.27	12.00 ( 3.50 - 13.50 )	3.63 ( 0.92 - 5.37 )	15.96	99
20+20+20+22+25+35	1.72	1.72	1.72	1.89	2.15	3.01	12.21 ( 3.50 - 13.50 )	3.62 ( 0.92 - 5.34 )	15.89	99
20+20+20+22+25+42	1.64	1.64	1.64	1.80	2.05	3.44	12.21 ( 3.50 - 13.50 )	3.61 ( 0.92 - 5.32 )	15.84	99
20+20+20+22+25+50	1.55	1.55	1.55	1.71	1.94	3.89	12.19 ( 3.50 - 13.50 )	3.60 ( 0.92 - 5.32 )	15.82	99
20+20+20+22+25+60	1.46	1.46	1.46	1.61	1.83	4.38	12.20 ( 3.50 - 13.50 )	3.60 ( 0.92 - 5.32 )	15.80	99
20+20+20+22+25+71	1.37	1.37	1.37	1.51	1.71	4.87	12.20 ( 3.50 - 13.50 )	3.59 ( 0.92 - 5.32 )	15.77	99
20+20+20+22+35+35	1.61	1.61	1.61	1.77	2.81	2.81	12.22 ( 3.50 - 13.50 )	3.60 ( 0.92 - 5.32 )	15.83	99
20+20+20+22+35+42	1.53	1.53	1.53	1.69	2.69	3.22	12.19 ( 3.50 - 13.50 )	3.60 ( 0.92 - 5.32 )	15.81	99
20+20+20+22+35+50	1.46	1.46	1.46	1.61	2.56	3.65	12.20 ( 3.50 - 13.50 )	3.60 ( 0.92 - 5.32 )	15.80	99
20+20+20+22+35+60	1.38	1.38	1.38	1.52	2.41	4.14	12.21 ( 3.50 - 13.50 )	3.59 ( 0.92 - 5.32 )	15.78	99
20+20+20+22+42+42	1.47	1.47	1.47	1.62	3.09	3.09	12.21 ( 3.50 - 13.50 )	3.60 ( 0.92 - 5.32 )	15.80	99
20+20+20+22+42+50	1.40	1.40	1.40	1.54	2.94	3.51	12.19 ( 3.50 - 13.50 )	3.59 ( 0.92 - 5.32 )	15.78	99
20+20+20+25+25+25	1.79	1.79	1.79	2.24	2.24	2.24	12.09 ( 3.50 - 13.50 )	3.63 ( 0.92 - 5.36 )	15.94	99
20+20+20+25+25+35	1.68	1.68	1.68	2.10	2.10	2.94	12.18 ( 3.50 - 13.50 )	3.61 ( 0.92 - 5.33 )	15.87	99
20+20+20+25+25+42	1.61	1.61	1.61	2.01	2.01	3.37	12.22 ( 3.50 - 13.50 )	3.60 ( 0.92 - 5.32 )	15.83	99
20+20+20+25+25+50	1.53	1.53	1.53	1.91	1.91	3.81	12.22 ( 3.50 - 13.50 )	3.60 ( 0.92 - 5.32 )	15.81	99
20+20+20+25+25+60	1.44	1.44	1.44	1.79	1.79	4.31	12.21 ( 3.50 - 13.50 )	3.60 ( 0.92 - 5.32 )	15.79	99
20+20+20+25+35+35	1.57	1.57	1.57	1.97	2.75	2.75	12.18 ( 3.50 - 13.50 )	3.60 ( 0.92 - 5.32 )	15.82	99
20+20+20+25+35+42	1.51	1.51	1.51	1.88	2.64	3.16	12.21 ( 3.50 - 13.50 )	3.60 ( 0.92 - 5.32 )	15.81	99
20+20+20+25+35+50	1.44	1.44	1.44	1.79	2.51	3.59	12.21 ( 3.50 - 13.50 )	3.60 ( 0.92 - 5.32 )	15.79	99
20+20+20+25+35+60	1.36	1.36	1.36	1.69	2.37	4.07	12.21 ( 3.50 - 13.50 )	3.59 ( 0.92 - 5.32 )	15.77	99
20+20+20+25+42+42	1.44	1.44	1.44	1.80	3.03	3.03	12.18 ( 3.50 - 13.50 )	3.60 ( 0.92 - 5.32 )	15.79	99
20+20+20+25+42+50	1.38	1.38	1.38	1.72	2.89	3.45	12.20 ( 3.50 - 13.50 )	3.59 ( 0.92 - 5.32 )	15.78	99
20+20+20+35+35+35	1.48	1.48	1.48	2.59	2.59	2.59	12.21 ( 3.50 - 13.50 )	3.60 ( 0.92 - 5.32 )	15.80	99
20+20+20+35+35+42	1.42	1.42	1.42	2.48	2.48	2.98	12.20 ( 3.50 - 13.50 )	3.59 ( 0.92 - 5.32 )	15.79	99
20+20+20+35+35+50	1.36	1.36	1.36	2.37	2.37	3.39	12.21 ( 3.50 - 13.50 )	3.59 ( 0.92 - 5.32 )	15.77	99
20+20+20+35+42+42	1.36	1.36	1.36	2.39	2.86	2.86	12.19 ( 3.50 - 13.50 )	3.59 ( 0.92 - 5.32 )	15.77	99
20+20+22+22+22+22	1.84	1.84	2.03	2.03	2.03	2.03	11.80 ( 3.50 - 13.40 )	3.60 ( 0.93 - 5.40 )	15.83	99
20+20+22+22+22+25	1.83	1.83	2.02	2.02	2.02	2.29	12.01 ( 3.50 - 13.50 )	3.64 ( 0.92 - 5.37 )	15.97	99
20+20+22+22+22+35	1.73	1.73	1.90	1.90	1.90	3.03	12.19 ( 3.50 - 13.50 )	3.62 ( 0.92 - 5.34 )	15.90	99
20+20+22+22+22+42	1.65	1.65	1.81	1.81	1.81	3.46	12.19 ( 3.50 - 13.50 )	3.61 ( 0.92 - 5.32 )	15.85	99
20+20+22+22+22+50	1.56	1.56	1.72	1.72	1.72	3.91	12.19 ( 3.50 - 13.50 )	3.60 ( 0.92 - 5.32 )	15.82	99

# MXZ-6D122VA COOLING

Indoor units combination	Cooling Capacity (kW)							Outdoor unit power consumption (kW)	Current (A)	Power factor (%)
	Unit A	Unit B	Unit C	Unit D	Unit E	Unit F	Total			
20+20+22+22+22+60	1.47	1.47	1.62	1.62	1.62	4.41	12.21 ( 3.50 - 13.50 )	3.60 ( 0.92 - 5.32 )	15.80	99
20+20+22+22+22+71	1.38	1.38	1.52	1.52	1.52	4.89	12.21 ( 3.50 - 13.50 )	3.59 ( 0.92 - 5.32 )	15.78	99
20+20+22+22+25+25	1.81	1.81	1.99	1.99	2.26	2.26	12.12 ( 3.50 - 13.50 )	3.63 ( 0.92 - 5.36 )	15.95	99
20+20+22+22+25+35	1.69	1.69	1.86	1.86	2.12	2.97	12.19 ( 3.50 - 13.50 )	3.62 ( 0.92 - 5.33 )	15.88	99
20+20+22+22+25+42	1.62	1.62	1.78	1.78	2.02	3.39	12.21 ( 3.50 - 13.50 )	3.60 ( 0.92 - 5.32 )	15.83	99
20+20+22+22+25+50	1.53	1.53	1.69	1.69	1.92	3.84	12.20 ( 3.50 - 13.50 )	3.60 ( 0.92 - 5.32 )	15.81	99
20+20+22+22+25+60	1.44	1.44	1.59	1.59	1.80	4.33	12.19 ( 3.50 - 13.50 )	3.60 ( 0.92 - 5.32 )	15.79	99
20+20+22+22+25+71	1.36	1.36	1.49	1.49	1.69	4.81	12.20 ( 3.50 - 13.50 )	3.59 ( 0.92 - 5.32 )	15.77	99
20+20+22+22+35+35	1.58	1.58	1.74	1.74	2.77	2.77	12.18 ( 3.50 - 13.50 )	3.60 ( 0.92 - 5.32 )	15.83	99
20+20+22+22+35+42	1.52	1.52	1.67	1.67	2.65	3.18	12.21 ( 3.50 - 13.50 )	3.60 ( 0.92 - 5.32 )	15.81	99
20+20+22+22+35+50	1.44	1.44	1.59	1.59	2.53	3.61	12.20 ( 3.50 - 13.50 )	3.60 ( 0.92 - 5.32 )	15.79	99
20+20+22+22+35+60	1.36	1.36	1.50	1.50	2.39	4.09	12.20 ( 3.50 - 13.50 )	3.59 ( 0.92 - 5.32 )	15.77	99
20+20+22+22+42+42	1.45	1.45	1.60	1.60	3.05	3.05	12.20 ( 3.50 - 13.50 )	3.60 ( 0.92 - 5.32 )	15.79	99
20+20+22+22+42+50	1.39	1.39	1.53	1.53	2.91	3.47	12.22 ( 3.50 - 13.50 )	3.59 ( 0.92 - 5.32 )	15.78	99
20+20+22+25+25+25	1.77	1.77	1.94	2.21	2.21	2.21	12.11 ( 3.50 - 13.50 )	3.63 ( 0.92 - 5.35 )	15.93	99
20+20+22+25+25+35	1.66	1.66	1.83	2.07	2.07	2.90	12.19 ( 3.50 - 13.50 )	3.61 ( 0.92 - 5.33 )	15.85	99
20+20+22+25+25+42	1.58	1.58	1.74	1.98	1.98	3.33	12.19 ( 3.50 - 13.50 )	3.60 ( 0.92 - 5.32 )	15.83	99
20+20+22+25+25+50	1.51	1.51	1.66	1.88	1.88	3.77	12.21 ( 3.50 - 13.50 )	3.60 ( 0.92 - 5.32 )	15.81	99
20+20+22+25+25+60	1.42	1.42	1.56	1.77	1.77	4.26	12.20 ( 3.50 - 13.50 )	3.59 ( 0.92 - 5.32 )	15.79	99
20+20+22+25+35+35	1.55	1.55	1.71	1.94	2.72	2.72	12.19 ( 3.50 - 13.50 )	3.60 ( 0.92 - 5.32 )	15.82	99
20+20+22+25+35+42	1.49	1.49	1.64	1.86	2.60	3.12	12.20 ( 3.50 - 13.50 )	3.60 ( 0.92 - 5.32 )	15.81	99
20+20+22+25+35+50	1.42	1.42	1.56	1.77	2.48	3.55	12.20 ( 3.50 - 13.50 )	3.59 ( 0.92 - 5.32 )	15.79	99
20+20+22+25+42+42	1.43	1.43	1.57	1.78	3.00	3.00	12.21 ( 3.50 - 13.50 )	3.60 ( 0.92 - 5.32 )	15.79	99
20+20+22+25+42+50	1.36	1.36	1.50	1.70	2.86	3.41	12.19 ( 3.50 - 13.50 )	3.59 ( 0.92 - 5.32 )	15.77	99
20+20+22+35+35+35	1.46	1.46	1.61	2.56	2.56	2.56	12.21 ( 3.50 - 13.50 )	3.60 ( 0.92 - 5.32 )	15.80	99
20+20+22+35+35+42	1.40	1.40	1.54	2.45	2.45	2.94	12.18 ( 3.50 - 13.50 )	3.59 ( 0.92 - 5.32 )	15.78	99
20+20+25+25+25+25	1.74	1.74	2.18	2.18	2.18	2.18	12.20 ( 3.50 - 13.50 )	3.62 ( 0.92 - 5.35 )	15.91	99
20+20+25+25+25+35	1.63	1.63	2.03	2.03	2.03	2.85	12.20 ( 3.50 - 13.50 )	3.61 ( 0.92 - 5.32 )	15.83	99
20+20+25+25+25+42	1.55	1.55	1.94	1.94	1.94	3.26	12.18 ( 3.50 - 13.50 )	3.60 ( 0.92 - 5.32 )	15.82	99
20+20+25+25+25+50	1.48	1.48	1.85	1.85	1.85	3.70	12.21 ( 3.50 - 13.50 )	3.60 ( 0.92 - 5.32 )	15.80	99
20+20+25+25+25+60	1.39	1.39	1.74	1.74	1.74	4.18	12.18 ( 3.50 - 13.50 )	3.59 ( 0.92 - 5.32 )	15.78	99
20+20+25+25+35+35	1.53	1.53	1.91	1.91	2.67	2.67	12.22 ( 3.50 - 13.50 )	3.60 ( 0.92 - 5.32 )	15.81	99
20+20+25+25+35+42	1.46	1.46	1.83	1.83	2.56	3.07	12.21 ( 3.50 - 13.50 )	3.60 ( 0.92 - 5.32 )	15.80	99
20+20+25+25+35+50	1.39	1.39	1.74	1.74	2.44	3.49	12.19 ( 3.50 - 13.50 )	3.59 ( 0.92 - 5.32 )	15.78	99
20+20+25+25+42+42	1.40	1.40	1.75	1.75	2.94	2.94	12.18 ( 3.50 - 13.50 )	3.59 ( 0.92 - 5.32 )	15.78	99
20+20+25+35+35+35	1.44	1.44	1.79	2.51	2.51	2.51	12.20 ( 3.50 - 13.50 )	3.60 ( 0.92 - 5.32 )	15.79	99

# MXZ-6D122VA COOLING

Indoor units combination	Cooling Capacity (kW)							Outdoor unit power consumption (kW)	Current (A)	Power factor (%)
	Unit A	Unit B	Unit C	Unit D	Unit E	Unit F	Total			
20+20+25+35+35+42	1.38	1.38	1.72	2.41	2.41	2.89	12.19 ( 3.50 - 13.50 )	3.59 ( 0.92 - 5.32 )	15.78	99
20+20+35+35+35+35	1.36	1.36	2.37	2.37	2.37	2.37	12.20 ( 3.50 - 13.50 )	3.59 ( 0.92 - 5.32 )	15.77	99
20+22+22+22+22+22	1.83	2.01	2.01	2.01	2.01	2.01	11.88 ( 3.50 - 13.50 )	3.63 ( 0.92 - 5.37 )	15.92	99
20+22+22+22+22+25	1.80	1.98	1.98	1.98	1.98	2.26	11.98 ( 3.50 - 13.50 )	3.63 ( 0.92 - 5.36 )	15.95	99
20+22+22+22+22+35	1.71	1.88	1.88	1.88	1.88	2.99	12.22 ( 3.50 - 13.50 )	3.62 ( 0.92 - 5.34 )	15.89	99
20+22+22+22+22+42	1.63	1.79	1.79	1.79	1.79	3.42	12.21 ( 3.50 - 13.50 )	3.61 ( 0.92 - 5.32 )	15.83	99
20+22+22+22+22+50	1.54	1.70	1.70	1.70	1.70	3.86	12.20 ( 3.50 - 13.50 )	3.60 ( 0.92 - 5.32 )	15.82	99
20+22+22+22+22+60	1.45	1.60	1.60	1.60	1.60	4.36	12.21 ( 3.50 - 13.50 )	3.60 ( 0.92 - 5.32 )	15.79	99
20+22+22+22+22+71	1.36	1.50	1.50	1.50	1.50	4.84	12.20 ( 3.50 - 13.50 )	3.59 ( 0.92 - 5.32 )	15.77	99
20+22+22+22+25+25	1.78	1.96	1.96	1.96	2.22	2.22	12.10 ( 3.50 - 13.50 )	3.63 ( 0.92 - 5.36 )	15.93	99
20+22+22+22+25+35	1.67	1.84	1.84	1.84	2.09	2.92	12.20 ( 3.50 - 13.50 )	3.61 ( 0.92 - 5.33 )	15.86	99
20+22+22+22+25+42	1.59	1.75	1.75	1.75	1.99	3.35	12.18 ( 3.50 - 13.50 )	3.60 ( 0.92 - 5.32 )	15.83	99
20+22+22+22+25+50	1.52	1.67	1.67	1.67	1.89	3.79	12.21 ( 3.50 - 13.50 )	3.60 ( 0.92 - 5.32 )	15.81	99
20+22+22+22+25+60	1.43	1.57	1.57	1.57	1.78	4.28	12.20 ( 3.50 - 13.50 )	3.60 ( 0.92 - 5.32 )	15.79	99
20+22+22+22+35+35	1.56	1.72	1.72	1.72	2.74	2.74	12.20 ( 3.50 - 13.50 )	3.60 ( 0.92 - 5.32 )	15.82	99
20+22+22+22+35+42	1.50	1.65	1.65	1.65	2.62	3.14	12.21 ( 3.50 - 13.50 )	3.60 ( 0.92 - 5.32 )	15.81	99
20+22+22+22+35+50	1.43	1.57	1.57	1.57	2.50	3.57	12.21 ( 3.50 - 13.50 )	3.60 ( 0.92 - 5.32 )	15.79	99
20+22+22+22+42+42	1.44	1.58	1.58	1.58	3.01	3.01	12.20 ( 3.50 - 13.50 )	3.60 ( 0.92 - 5.32 )	15.79	99
20+22+22+22+42+50	1.37	1.51	1.51	1.51	2.88	3.43	12.21 ( 3.50 - 13.50 )	3.59 ( 0.92 - 5.32 )	15.77	99
20+22+22+25+25+25	1.76	1.93	1.93	2.19	2.19	2.19	12.19 ( 3.50 - 13.50 )	3.62 ( 0.92 - 5.35 )	15.91	99
20+22+22+25+25+35	1.64	1.80	1.80	2.05	2.05	2.87	12.21 ( 3.50 - 13.50 )	3.61 ( 0.92 - 5.32 )	15.84	99
20+22+22+25+25+42	1.56	1.72	1.72	1.96	1.96	3.28	12.20 ( 3.50 - 13.50 )	3.60 ( 0.92 - 5.32 )	15.82	99
20+22+22+25+25+50	1.49	1.64	1.64	1.86	1.86	3.72	12.21 ( 3.50 - 13.50 )	3.60 ( 0.92 - 5.32 )	15.81	99
20+22+22+25+25+60	1.40	1.54	1.54	1.75	1.75	4.21	12.19 ( 3.50 - 13.50 )	3.59 ( 0.92 - 5.32 )	15.78	99
20+22+22+25+35+35	1.53	1.69	1.69	1.92	2.69	2.69	12.21 ( 3.50 - 13.50 )	3.60 ( 0.92 - 5.32 )	15.81	99
20+22+22+25+35+42	1.47	1.62	1.62	1.84	2.57	3.09	12.21 ( 3.50 - 13.50 )	3.60 ( 0.92 - 5.32 )	15.80	99
20+22+22+25+35+50	1.40	1.54	1.54	1.75	2.45	3.51	12.19 ( 3.50 - 13.50 )	3.59 ( 0.92 - 5.32 )	15.78	99
20+22+22+25+42+42	1.41	1.55	1.55	1.76	2.96	2.96	12.19 ( 3.50 - 13.50 )	3.59 ( 0.92 - 5.32 )	15.79	99
20+22+22+35+35+35	1.44	1.59	1.59	2.53	2.53	2.53	12.21 ( 3.50 - 13.50 )	3.60 ( 0.92 - 5.32 )	15.79	99
20+22+22+35+35+42	1.39	1.53	1.53	2.43	2.43	2.91	12.22 ( 3.50 - 13.50 )	3.59 ( 0.92 - 5.32 )	15.78	99
20+22+25+25+25+25	1.72	1.89	2.15	2.15	2.15	2.15	12.21 ( 3.50 - 13.50 )	3.62 ( 0.92 - 5.34 )	15.89	99
20+22+25+25+25+35	1.61	1.77	2.01	2.01	2.01	2.81	12.22 ( 3.50 - 13.50 )	3.60 ( 0.92 - 5.32 )	15.83	99
20+22+25+25+25+42	1.53	1.69	1.92	1.92	1.92	3.22	12.20 ( 3.50 - 13.50 )	3.60 ( 0.92 - 5.32 )	15.81	99
20+22+25+25+25+50	1.46	1.61	1.83	1.83	1.83	3.65	12.21 ( 3.50 - 13.50 )	3.60 ( 0.92 - 5.32 )	15.80	99
20+22+25+25+25+60	1.38	1.52	1.72	1.72	1.72	4.14	12.20 ( 3.50 - 13.50 )	3.59 ( 0.92 - 5.32 )	15.78	99
20+22+25+25+35+35	1.51	1.66	1.88	1.88	2.64	2.64	12.21 ( 3.50 - 13.50 )	3.60 ( 0.92 - 5.32 )	15.81	99

# MXZ-6D122VA COOLING

Indoor units combination	Cooling Capacity (kW)							Outdoor unit power consumption (kW)	Current (A)	Power factor (%)
	Unit A	Unit B	Unit C	Unit D	Unit E	Unit F	Total			
20+22+25+25+35+42	1.44	1.59	1.80	1.80	2.53	3.03	12.19 ( 3.50 - 13.50 )	3.60 ( 0.92 - 5.32 )	15.79	99
20+22+25+25+35+50	1.38	1.52	1.72	1.72	2.41	3.45	12.20 ( 3.50 - 13.50 )	3.59 ( 0.92 - 5.32 )	15.78	99
20+22+25+25+42+42	1.39	1.53	1.73	1.73	2.91	2.91	12.20 ( 3.50 - 13.50 )	3.59 ( 0.92 - 5.32 )	15.78	99
20+22+25+35+35+35	1.42	1.56	1.77	2.48	2.48	2.48	12.19 ( 3.50 - 13.50 )	3.59 ( 0.92 - 5.32 )	15.79	99
20+22+25+35+35+42	1.36	1.50	1.70	2.39	2.39	2.86	12.20 ( 3.50 - 13.50 )	3.59 ( 0.92 - 5.32 )	15.77	99
20+25+25+25+25+25	1.68	2.10	2.10	2.10	2.10	2.10	12.18 ( 3.50 - 13.50 )	3.61 ( 0.92 - 5.33 )	15.87	99
20+25+25+25+25+35	1.57	1.97	1.97	1.97	1.97	2.75	12.20 ( 3.50 - 13.50 )	3.60 ( 0.92 - 5.32 )	15.82	99
20+25+25+25+25+42	1.51	1.88	1.88	1.88	1.88	3.16	12.19 ( 3.50 - 13.50 )	3.60 ( 0.92 - 5.32 )	15.81	99
20+25+25+25+25+50	1.44	1.79	1.79	1.79	1.79	3.59	12.19 ( 3.50 - 13.50 )	3.60 ( 0.92 - 5.32 )	15.79	99
20+25+25+25+25+60	1.36	1.69	1.69	1.69	1.69	4.07	12.19 ( 3.50 - 13.50 )	3.59 ( 0.92 - 5.32 )	15.77	99
20+25+25+25+35+35	1.48	1.85	1.85	1.85	2.59	2.59	12.21 ( 3.50 - 13.50 )	3.60 ( 0.92 - 5.32 )	15.80	99
20+25+25+25+35+42	1.42	1.77	1.77	1.77	2.48	2.98	12.19 ( 3.50 - 13.50 )	3.59 ( 0.92 - 5.32 )	15.79	99
20+25+25+25+35+50	1.36	1.69	1.69	1.69	2.37	3.39	12.19 ( 3.50 - 13.50 )	3.59 ( 0.92 - 5.32 )	15.77	99
20+25+25+25+42+42	1.36	1.70	1.70	1.70	2.86	2.86	12.18 ( 3.50 - 13.50 )	3.59 ( 0.92 - 5.32 )	15.77	99
20+25+25+35+35+35	1.39	1.74	1.74	2.44	2.44	2.44	12.19 ( 3.50 - 13.50 )	3.59 ( 0.92 - 5.32 )	15.78	99
22+22+22+22+22+22	2.00	2.00	2.00	2.00	2.00	2.00	12.00 ( 3.50 - 13.50 )	3.63 ( 0.92 - 5.37 )	15.96	99
22+22+22+22+22+25	1.97	1.97	1.97	1.97	1.97	2.24	12.09 ( 3.50 - 13.50 )	3.63 ( 0.92 - 5.36 )	15.94	99
22+22+22+22+22+35	1.85	1.85	1.85	1.85	1.85	2.94	12.19 ( 3.50 - 13.50 )	3.61 ( 0.92 - 5.33 )	15.87	99
22+22+22+22+22+42	1.77	1.77	1.77	1.77	1.77	3.37	12.22 ( 3.50 - 13.50 )	3.60 ( 0.92 - 5.32 )	15.83	99
22+22+22+22+22+50	1.68	1.68	1.68	1.68	1.68	3.81	12.21 ( 3.50 - 13.50 )	3.60 ( 0.92 - 5.32 )	15.81	99
22+22+22+22+22+60	1.58	1.58	1.58	1.58	1.58	4.31	12.21 ( 3.50 - 13.50 )	3.60 ( 0.92 - 5.32 )	15.79	99
22+22+22+22+25+25	1.94	1.94	1.94	1.94	2.21	2.21	12.18 ( 3.50 - 13.50 )	3.62 ( 0.92 - 5.35 )	15.92	99
22+22+22+22+25+35	1.81	1.81	1.81	1.81	2.06	2.89	12.19 ( 3.50 - 13.50 )	3.61 ( 0.92 - 5.32 )	15.85	99
22+22+22+22+25+42	1.73	1.73	1.73	1.73	1.97	3.31	12.20 ( 3.50 - 13.50 )	3.60 ( 0.92 - 5.32 )	15.82	99
22+22+22+22+25+50	1.65	1.65	1.65	1.65	1.87	3.74	12.21 ( 3.50 - 13.50 )	3.60 ( 0.92 - 5.32 )	15.81	99
22+22+22+22+25+60	1.55	1.55	1.55	1.55	1.76	4.23	12.19 ( 3.50 - 13.50 )	3.59 ( 0.92 - 5.32 )	15.79	99
22+22+22+22+35+35	1.70	1.70	1.70	1.70	2.70	2.70	12.20 ( 3.50 - 13.50 )	3.60 ( 0.92 - 5.32 )	15.82	99
22+22+22+22+35+42	1.63	1.63	1.63	1.63	2.59	3.11	12.22 ( 3.50 - 13.50 )	3.60 ( 0.92 - 5.32 )	15.80	99
22+22+22+22+35+50	1.55	1.55	1.55	1.55	2.47	3.53	12.20 ( 3.50 - 13.50 )	3.59 ( 0.92 - 5.32 )	15.79	99
22+22+22+22+42+42	1.56	1.56	1.56	1.56	2.98	2.98	12.20 ( 3.50 - 13.50 )	3.59 ( 0.92 - 5.32 )	15.79	99
22+22+22+22+42+50	1.49	1.49	1.49	1.49	2.85	3.39	12.20 ( 3.50 - 13.50 )	3.59 ( 0.92 - 5.32 )	15.77	99
22+22+22+25+25+25	1.90	1.90	1.90	2.16	2.16	2.16	12.18 ( 3.50 - 13.50 )	3.62 ( 0.92 - 5.34 )	15.90	99
22+22+22+25+25+35	1.78	1.78	1.78	2.02	2.02	2.83	12.21 ( 3.50 - 13.50 )	3.60 ( 0.92 - 5.32 )	15.83	99
22+22+22+25+25+42	1.70	1.70	1.70	1.93	1.93	3.24	12.20 ( 3.50 - 13.50 )	3.60 ( 0.92 - 5.32 )	15.82	99
22+22+22+25+25+50	1.62	1.62	1.62	1.84	1.84	3.67	12.21 ( 3.50 - 13.50 )	3.60 ( 0.92 - 5.32 )	15.80	99
22+22+22+25+25+60	1.53	1.53	1.53	1.73	1.73	4.16	12.21 ( 3.50 - 13.50 )	3.59 ( 0.92 - 5.32 )	15.78	99

# MXZ-6D122VA COOLING

Indoor units combination	Cooling Capacity (kW)							Outdoor unit power consumption (kW)	Current (A)	Power factor (%)
	Unit A	Unit B	Unit C	Unit D	Unit E	Unit F	Total			
22+22+22+25+35+35	1.67	1.67	1.67	1.89	2.65	2.65	12.20 ( 3.50 - 13.50 )	3.60 ( 0.92 - 5.32 )	15.81	99
22+22+22+25+35+42	1.60	1.60	1.60	1.82	2.54	3.05	12.21 ( 3.50 - 13.50 )	3.60 ( 0.92 - 5.32 )	15.79	99
22+22+22+25+35+50	1.53	1.53	1.53	1.73	2.43	3.47	12.22 ( 3.50 - 13.50 )	3.59 ( 0.92 - 5.32 )	15.78	99
22+22+22+25+42+42	1.53	1.53	1.53	1.74	2.93	2.93	12.19 ( 3.50 - 13.50 )	3.59 ( 0.92 - 5.32 )	15.78	99
22+22+22+35+35+35	1.57	1.57	1.57	2.50	2.50	2.50	12.21 ( 3.50 - 13.50 )	3.60 ( 0.92 - 5.32 )	15.79	99
22+22+22+35+35+42	1.51	1.51	1.51	2.40	2.40	2.88	12.21 ( 3.50 - 13.50 )	3.59 ( 0.92 - 5.32 )	15.77	99
22+22+25+25+25+25	1.86	1.86	2.12	2.12	2.12	2.12	12.20 ( 3.50 - 13.50 )	3.62 ( 0.92 - 5.33 )	15.88	99
22+22+25+25+25+35	1.74	1.74	1.98	1.98	1.98	2.77	12.19 ( 3.50 - 13.50 )	3.60 ( 0.92 - 5.32 )	15.83	99
22+22+25+25+25+42	1.67	1.67	1.89	1.89	1.89	3.18	12.19 ( 3.50 - 13.50 )	3.60 ( 0.92 - 5.32 )	15.81	99
22+22+25+25+25+50	1.59	1.59	1.80	1.80	1.80	3.61	12.19 ( 3.50 - 13.50 )	3.60 ( 0.92 - 5.32 )	15.79	99
22+22+25+25+25+60	1.50	1.50	1.70	1.70	1.70	4.09	12.19 ( 3.50 - 13.50 )	3.59 ( 0.92 - 5.32 )	15.77	99
22+22+25+25+35+35	1.64	1.64	1.86	1.86	2.60	2.60	12.20 ( 3.50 - 13.50 )	3.60 ( 0.92 - 5.32 )	15.81	99
22+22+25+25+35+42	1.57	1.57	1.78	1.78	2.50	3.00	12.20 ( 3.50 - 13.50 )	3.60 ( 0.92 - 5.32 )	15.79	99
22+22+25+25+35+50	1.50	1.50	1.70	1.70	2.39	3.41	12.20 ( 3.50 - 13.50 )	3.59 ( 0.92 - 5.32 )	15.77	99
22+22+25+25+42+42	1.51	1.51	1.71	1.71	2.88	2.88	12.20 ( 3.50 - 13.50 )	3.59 ( 0.92 - 5.32 )	15.77	99
22+22+25+35+35+35	1.54	1.54	1.75	2.45	2.45	2.45	12.18 ( 3.50 - 13.50 )	3.59 ( 0.92 - 5.32 )	15.78	99
22+25+25+25+25+25	1.83	2.07	2.07	2.07	2.07	2.07	12.18 ( 3.50 - 13.50 )	3.61 ( 0.92 - 5.33 )	15.85	99
22+25+25+25+25+35	1.71	1.94	1.94	1.94	1.94	2.72	12.19 ( 3.50 - 13.50 )	3.60 ( 0.92 - 5.32 )	15.82	99
22+25+25+25+25+42	1.64	1.86	1.86	1.86	1.86	3.12	12.20 ( 3.50 - 13.50 )	3.60 ( 0.92 - 5.32 )	15.81	99
22+25+25+25+25+50	1.56	1.77	1.77	1.77	1.77	3.55	12.19 ( 3.50 - 13.50 )	3.59 ( 0.92 - 5.32 )	15.79	99
22+25+25+25+35+35	1.61	1.83	1.83	1.83	2.56	2.56	12.22 ( 3.50 - 13.50 )	3.60 ( 0.92 - 5.32 )	15.80	99
22+25+25+25+35+42	1.54	1.75	1.75	1.75	2.45	2.94	12.18 ( 3.50 - 13.50 )	3.59 ( 0.92 - 5.32 )	15.78	99
22+25+25+35+35+35	1.52	1.72	1.72	2.41	2.41	2.41	12.19 ( 3.50 - 13.50 )	3.59 ( 0.92 - 5.32 )	15.78	99
25+25+25+25+25+25	2.03	2.03	2.03	2.03	2.03	2.03	12.18 ( 3.50 - 13.50 )	3.61 ( 0.92 - 5.32 )	15.83	99
25+25+25+25+25+35	1.91	1.91	1.91	1.91	1.91	2.67	12.22 ( 3.50 - 13.50 )	3.60 ( 0.92 - 5.32 )	15.81	99
25+25+25+25+25+42	1.83	1.83	1.83	1.83	1.83	3.07	12.22 ( 3.50 - 13.50 )	3.60 ( 0.92 - 5.32 )	15.80	99
25+25+25+25+25+50	1.74	1.74	1.74	1.74	1.74	3.49	12.19 ( 3.50 - 13.50 )	3.59 ( 0.92 - 5.32 )	15.78	99
25+25+25+25+35+35	1.79	1.79	1.79	1.79	2.51	2.51	12.18 ( 3.50 - 13.50 )	3.60 ( 0.92 - 5.32 )	15.79	99
25+25+25+25+35+42	1.72	1.72	1.72	1.72	2.41	2.89	12.18 ( 3.50 - 13.50 )	3.59 ( 0.92 - 5.32 )	15.78	99
25+25+25+35+35+35	1.69	1.69	1.69	2.37	2.37	2.37	12.18 ( 3.50 - 13.50 )	3.59 ( 0.92 - 5.32 )	15.77	99



# MXZ-6D122VA HEATING

Indoor units combination	Heating Capacity (kW)						Outdoor unit power consumption (kW)	Current (A)	Power factor (%)	
	Unit A	Unit B	Unit C	Unit D	Unit E	Unit F				Total
15	1.70	-	-	-	-	-	1.70 ( 1.50 - 3.00 )	1.03 ( 0.91 - 1.92 )	4.71	95
18	3.30	-	-	-	-	-	3.30 ( 2.70 - 4.20 )	1.11 ( 0.96 - 1.36 )	5.08	95
20	2.20	-	-	-	-	-	2.20 ( 2.00 - 3.90 )	1.07 ( 0.98 - 2.51 )	4.90	95
22	3.30	-	-	-	-	-	3.30 ( 2.70 - 4.20 )	1.11 ( 0.96 - 1.36 )	5.08	95
25	3.60	-	-	-	-	-	3.60 ( 2.70 - 4.50 )	1.17 ( 0.96 - 1.45 )	5.35	95
35	4.00	-	-	-	-	-	4.00 ( 2.70 - 5.50 )	1.14 ( 0.96 - 1.81 )	5.22	95
42	5.40	-	-	-	-	-	5.40 ( 2.70 - 6.50 )	1.61 ( 0.96 - 2.26 )	7.37	95
50	7.20	-	-	-	-	-	7.20 ( 2.70 - 7.70 )	2.27 ( 0.96 - 2.71 )	10.39	95
60	7.90	-	-	-	-	-	7.90 ( 2.70 - 9.30 )	2.27 ( 0.85 - 3.31 )	10.39	95
71	8.60	-	-	-	-	-	8.60 ( 2.70 - 9.90 )	2.41 ( 0.85 - 3.79 )	11.03	95
15+15	1.70	1.70	-	-	-	-	3.40 ( 2.70 - 5.30 )	0.94 ( 0.91 - 3.35 )	4.21	97
15+18	2.27	2.73	-	-	-	-	5.00 ( 2.80 - 7.20 )	1.37 ( 0.89 - 2.93 )	6.15	97
15+20	1.71	2.29	-	-	-	-	4.00 ( 2.70 - 6.20 )	1.09 ( 0.91 - 3.27 )	4.89	97
15+22	2.03	2.97	-	-	-	-	5.00 ( 2.80 - 7.20 )	1.37 ( 0.89 - 2.93 )	6.15	97
15+25	1.99	3.31	-	-	-	-	5.30 ( 2.80 - 7.30 )	1.44 ( 0.88 - 2.79 )	6.47	97
15+35	1.71	3.99	-	-	-	-	5.70 ( 2.80 - 7.50 )	1.54 ( 0.87 - 2.66 )	6.88	97
15+42	1.89	5.31	-	-	-	-	7.20 ( 2.80 - 9.00 )	1.95 ( 0.83 - 2.70 )	8.74	97
15+50	2.08	6.92	-	-	-	-	9.00 ( 2.80 - 10.90 )	2.63 ( 0.83 - 3.45 )	11.79	97
15+60	1.92	7.68	-	-	-	-	9.60 ( 2.80 - 11.20 )	2.90 ( 0.83 - 3.56 )	13.00	97
15+71	1.76	8.34	-	-	-	-	10.10 ( 2.80 - 11.40 )	3.13 ( 0.83 - 3.63 )	14.03	97
18+18	3.30	3.30	-	-	-	-	6.60 ( 2.80 - 8.30 )	1.74 ( 0.83 - 2.45 )	7.80	97
18+20	2.61	2.89	-	-	-	-	5.50 ( 2.80 - 7.30 )	1.49 ( 0.87 - 2.70 )	6.68	97
18+22	2.97	3.63	-	-	-	-	6.60 ( 2.80 - 8.30 )	1.74 ( 0.83 - 2.45 )	7.80	97
18+25	2.89	4.01	-	-	-	-	6.90 ( 2.80 - 8.30 )	1.85 ( 0.83 - 2.45 )	8.29	97
18+35	2.58	5.02	-	-	-	-	7.60 ( 2.80 - 9.70 )	2.13 ( 0.83 - 3.08 )	9.55	97
18+42	2.61	6.09	-	-	-	-	8.70 ( 2.80 - 10.80 )	2.53 ( 0.83 - 3.46 )	11.36	97
18+50	2.86	7.94	-	-	-	-	10.80 ( 2.80 - 11.70 )	3.45 ( 0.83 - 3.74 )	15.46	97
18+60	2.61	8.69	-	-	-	-	11.30 ( 2.80 - 12.70 )	3.40 ( 0.82 - 3.92 )	15.24	97
18+71	2.29	9.01	-	-	-	-	11.30 ( 2.80 - 12.70 )	3.45 ( 0.83 - 3.92 )	15.46	97
20+20	2.20	2.20	-	-	-	-	4.40 ( 2.70 - 7.00 )	1.23 ( 0.91 - 3.19 )	5.51	97
20+22	2.62	2.88	-	-	-	-	5.50 ( 2.80 - 7.30 )	1.49 ( 0.87 - 2.70 )	6.68	97
20+25	2.58	3.22	-	-	-	-	5.80 ( 2.80 - 7.60 )	1.56 ( 0.86 - 2.64 )	6.98	97
20+35	2.25	3.95	-	-	-	-	6.20 ( 2.80 - 8.00 )	1.65 ( 0.85 - 2.55 )	7.39	97
20+42	2.58	5.42	-	-	-	-	8.00 ( 2.80 - 10.40 )	2.31 ( 0.83 - 3.46 )	10.35	97
20+50	2.69	6.71	-	-	-	-	9.40 ( 2.80 - 11.10 )	2.81 ( 0.83 - 3.52 )	12.60	97
20+60	2.53	7.58	-	-	-	-	10.11 ( 2.80 - 11.40 )	3.13 ( 0.83 - 3.63 )	14.03	97

# MXZ-6D122VA HEATING

Indoor units combination	Heating Capacity (kW)						Outdoor unit power consumption (kW)	Current (A)	Power factor (%)	
	Unit A	Unit B	Unit C	Unit D	Unit E	Unit F				Total
20+71	2.46	8.74	-	-	-	-	11.20 ( 2.80 - 12.50 )	3.47 ( 0.83 - 3.88 )	15.55	97
22+22	3.30	3.30	-	-	-	-	6.60 ( 2.80 - 8.30 )	1.74 ( 0.83 - 2.45 )	7.80	97
22+25	3.23	3.67	-	-	-	-	6.90 ( 2.80 - 8.30 )	1.85 ( 0.83 - 2.45 )	8.29	97
22+35	2.93	4.67	-	-	-	-	7.60 ( 2.80 - 9.70 )	2.13 ( 0.83 - 3.08 )	9.55	97
22+42	2.99	5.71	-	-	-	-	8.70 ( 2.80 - 10.80 )	2.53 ( 0.83 - 3.46 )	11.36	97
22+50	3.30	7.50	-	-	-	-	10.80 ( 2.80 - 11.70 )	3.45 ( 0.83 - 3.74 )	15.46	97
22+60	3.03	8.27	-	-	-	-	11.30 ( 2.80 - 12.70 )	3.40 ( 0.82 - 3.92 )	15.24	97
22+71	2.67	8.63	-	-	-	-	11.30 ( 2.80 - 12.70 )	3.45 ( 0.83 - 3.92 )	15.46	97
25+25	3.60	3.60	-	-	-	-	7.20 ( 2.80 - 9.40 )	2.04 ( 0.83 - 2.89 )	9.14	97
25+35	3.33	4.67	-	-	-	-	8.00 ( 2.80 - 10.40 )	2.31 ( 0.83 - 3.46 )	10.35	97
25+42	3.51	5.89	-	-	-	-	9.40 ( 2.80 - 11.10 )	2.81 ( 0.83 - 3.52 )	12.60	97
25+50	3.73	7.47	-	-	-	-	11.20 ( 2.80 - 12.50 )	3.47 ( 0.83 - 3.88 )	15.55	97
25+60	3.32	7.98	-	-	-	-	11.30 ( 2.80 - 12.70 )	3.45 ( 0.83 - 3.92 )	15.46	97
25+71	2.94	8.36	-	-	-	-	11.30 ( 2.80 - 12.80 )	3.32 ( 0.82 - 3.59 )	14.88	97
35+35	4.00	4.00	-	-	-	-	8.00 ( 2.80 - 10.40 )	2.31 ( 0.83 - 3.46 )	10.35	97
35+42	4.27	5.13	-	-	-	-	9.40 ( 2.80 - 11.10 )	2.81 ( 0.83 - 3.52 )	12.60	97
35+50	4.65	6.65	-	-	-	-	11.30 ( 2.80 - 12.70 )	3.40 ( 0.82 - 3.92 )	15.24	97
35+60	4.16	7.14	-	-	-	-	11.30 ( 2.80 - 12.70 )	3.38 ( 0.82 - 3.92 )	15.15	97
35+71	3.73	7.57	-	-	-	-	11.30 ( 2.80 - 12.80 )	3.32 ( 0.82 - 3.59 )	14.88	97
42+42	5.60	5.60	-	-	-	-	11.20 ( 2.80 - 12.50 )	3.47 ( 0.83 - 3.88 )	15.55	97
42+50	5.16	6.14	-	-	-	-	11.30 ( 2.80 - 12.80 )	3.23 ( 0.81 - 3.59 )	14.48	97
42+60	4.65	6.65	-	-	-	-	11.30 ( 2.80 - 12.80 )	3.15 ( 0.80 - 3.59 )	14.12	97
42+71	4.20	7.10	-	-	-	-	11.30 ( 2.80 - 12.80 )	3.15 ( 0.80 - 3.59 )	14.12	97
50+50	5.65	5.65	-	-	-	-	11.30 ( 2.80 - 12.80 )	3.14 ( 0.80 - 3.59 )	14.07	97
50+60	5.14	6.16	-	-	-	-	11.30 ( 2.80 - 12.90 )	3.12 ( 0.80 - 3.57 )	13.98	97
50+71	4.67	6.63	-	-	-	-	11.30 ( 2.80 - 13.00 )	3.09 ( 0.80 - 3.55 )	13.85	97
60+60	5.65	5.65	-	-	-	-	11.30 ( 2.80 - 13.00 )	3.09 ( 0.80 - 3.55 )	13.85	97
60+71	5.18	6.12	-	-	-	-	11.30 ( 2.80 - 13.00 )	3.08 ( 0.80 - 3.55 )	13.81	97
71+71	5.65	5.65	-	-	-	-	11.30 ( 2.90 - 13.00 )	3.00 ( 0.80 - 3.46 )	13.45	97
15+15+15	1.70	1.70	1.70	-	-	-	5.10 ( 3.10 - 8.90 )	1.02 ( 0.82 - 3.99 )	4.56	97
15+15+18	2.06	2.06	2.48	-	-	-	6.60 ( 3.10 - 10.50 )	1.42 ( 0.82 - 4.72 )	6.38	97
15+15+20	1.68	1.68	2.24	-	-	-	5.60 ( 3.10 - 9.40 )	1.15 ( 0.82 - 4.22 )	5.17	97
15+15+22	1.90	1.90	2.79	-	-	-	6.59 ( 3.10 - 10.50 )	1.42 ( 0.82 - 4.72 )	6.38	97
15+15+25	1.91	1.91	3.18	-	-	-	7.00 ( 3.10 - 10.80 )	1.52 ( 0.82 - 4.66 )	6.82	97
15+15+35	1.71	1.71	3.98	-	-	-	7.40 ( 3.10 - 11.10 )	1.62 ( 0.81 - 4.59 )	7.26	97
15+15+42	1.83	1.83	5.13	-	-	-	8.79 ( 3.20 - 11.90 )	1.97 ( 0.79 - 4.37 )	8.84	97

# MXZ-6D122VA HEATING

Indoor units combination	Heating Capacity (kW)							Outdoor unit power consumption (kW)	Current (A)	Power factor (%)
	Unit A	Unit B	Unit C	Unit D	Unit E	Unit F	Total			
15+15+50	1.99	1.99	6.63	-	-	-	10.61 ( 3.20 - 13.30 )	2.59 ( 0.77 - 4.30 )	11.62	97
15+15+60	1.88	1.88	7.53	-	-	-	11.29 ( 3.20 - 13.90 )	2.98 ( 0.77 - 4.57 )	13.37	97
15+15+71	1.78	1.78	8.44	-	-	-	12.00 ( 3.20 - 14.50 )	3.38 ( 0.77 - 4.94 )	15.14	97
15+18+18	2.44	2.93	2.93	-	-	-	8.30 ( 3.20 - 11.60 )	1.85 ( 0.80 - 4.45 )	8.27	97
15+18+20	2.04	2.45	2.72	-	-	-	7.21 ( 3.10 - 10.90 )	1.57 ( 0.81 - 4.63 )	7.04	97
15+18+22	2.26	2.72	3.32	-	-	-	8.30 ( 3.20 - 11.60 )	1.85 ( 0.80 - 4.45 )	8.27	97
15+18+25	2.22	2.67	3.71	-	-	-	8.60 ( 3.20 - 11.80 )	1.92 ( 0.80 - 4.41 )	8.62	97
15+18+35	1.99	2.38	4.63	-	-	-	9.00 ( 3.20 - 12.10 )	2.02 ( 0.79 - 4.34 )	9.06	97
15+18+42	2.08	2.50	5.82	-	-	-	10.40 ( 3.20 - 13.10 )	2.49 ( 0.77 - 4.27 )	11.17	97
15+18+50	2.19	2.62	7.29	-	-	-	12.10 ( 3.20 - 14.50 )	3.41 ( 0.77 - 4.94 )	15.30	97
15+18+60	1.97	2.36	7.87	-	-	-	12.20 ( 3.20 - 14.60 )	3.45 ( 0.77 - 4.85 )	15.47	97
15+18+71	1.77	2.13	8.40	-	-	-	12.30 ( 3.20 - 14.60 )	3.50 ( 0.77 - 4.85 )	15.67	97
15+20+20	1.66	2.22	2.22	-	-	-	6.10 ( 3.10 - 10.00 )	1.29 ( 0.82 - 4.49 )	5.77	97
15+20+22	1.89	2.53	2.78	-	-	-	7.20 ( 3.10 - 10.90 )	1.57 ( 0.81 - 4.63 )	7.04	97
15+20+25	1.88	2.50	3.13	-	-	-	7.51 ( 3.10 - 11.10 )	1.64 ( 0.81 - 4.58 )	7.37	97
15+20+35	1.69	2.26	3.95	-	-	-	7.90 ( 3.20 - 11.40 )	1.74 ( 0.80 - 4.51 )	7.82	97
15+20+42	1.81	2.42	5.07	-	-	-	9.30 ( 3.20 - 12.30 )	2.09 ( 0.79 - 4.29 )	9.38	97
15+20+50	1.96	2.61	6.53	-	-	-	11.10 ( 3.20 - 13.70 )	2.86 ( 0.77 - 4.44 )	12.84	97
15+20+60	1.86	2.48	7.45	-	-	-	11.79 ( 3.20 - 14.30 )	3.26 ( 0.77 - 4.82 )	14.62	97
15+20+71	1.71	2.28	8.10	-	-	-	12.09 ( 3.20 - 14.50 )	3.41 ( 0.77 - 4.94 )	15.30	97
15+22+22	2.11	3.09	3.09	-	-	-	8.29 ( 3.20 - 11.60 )	1.85 ( 0.80 - 4.45 )	8.27	97
15+22+25	2.08	3.05	3.47	-	-	-	8.60 ( 3.20 - 11.80 )	1.92 ( 0.80 - 4.41 )	8.62	97
15+22+35	1.88	2.75	4.38	-	-	-	9.01 ( 3.20 - 12.10 )	2.02 ( 0.79 - 4.34 )	9.06	97
15+22+42	1.97	2.90	5.53	-	-	-	10.40 ( 3.20 - 13.10 )	2.49 ( 0.77 - 4.27 )	11.17	97
15+22+50	2.09	3.06	6.95	-	-	-	12.10 ( 3.20 - 14.50 )	3.41 ( 0.77 - 4.94 )	15.30	97
15+22+60	1.89	2.77	7.55	-	-	-	12.21 ( 3.20 - 14.60 )	3.45 ( 0.77 - 4.85 )	15.47	97
15+22+71	1.71	2.51	8.09	-	-	-	12.31 ( 3.20 - 14.60 )	3.50 ( 0.77 - 4.85 )	15.67	97
15+25+25	2.05	3.42	3.42	-	-	-	8.89 ( 3.20 - 12.00 )	2.00 ( 0.79 - 4.36 )	8.95	97
15+25+35	1.86	3.10	4.34	-	-	-	9.30 ( 3.20 - 12.30 )	2.09 ( 0.79 - 4.29 )	9.38	97
15+25+42	1.96	3.26	5.48	-	-	-	10.70 ( 3.20 - 13.40 )	2.64 ( 0.77 - 4.31 )	11.84	97
15+25+50	2.02	3.36	6.72	-	-	-	12.10 ( 3.20 - 14.50 )	3.41 ( 0.77 - 4.94 )	15.30	97
15+25+60	1.85	3.08	7.38	-	-	-	12.31 ( 3.20 - 14.60 )	3.50 ( 0.77 - 4.85 )	15.67	97
15+25+71	1.68	2.79	7.93	-	-	-	12.40 ( 3.20 - 14.60 )	3.53 ( 0.77 - 4.85 )	15.83	97
15+35+35	1.71	3.99	3.99	-	-	-	9.69 ( 3.20 - 12.50 )	2.19 ( 0.78 - 4.23 )	9.83	97
15+35+42	1.81	4.22	5.07	-	-	-	11.10 ( 3.20 - 13.70 )	2.86 ( 0.77 - 4.44 )	12.84	97
15+35+50	1.83	4.27	6.10	-	-	-	12.20 ( 3.20 - 14.60 )	3.45 ( 0.77 - 4.85 )	15.47	97

# MXZ-6D122VA HEATING

Indoor units combination	Heating Capacity (kW)							Outdoor unit power consumption (kW)	Current (A)	Power factor (%)
	Unit A	Unit B	Unit C	Unit D	Unit E	Unit F	Total			
15+35+60	1.68	3.91	6.71	-	-	-	12.30 ( 3.20 - 14.60 )	3.50 ( 0.77 - 4.85 )	15.67	97
15+35+71	1.56	3.63	7.37	-	-	-	12.56 ( 3.20 - 14.70 )	3.59 ( 0.77 - 4.75 )	16.10	97
15+42+42	1.83	5.13	5.13	-	-	-	12.09 ( 3.20 - 14.50 )	3.41 ( 0.77 - 4.94 )	15.30	97
15+42+50	1.76	4.93	5.87	-	-	-	12.56 ( 3.20 - 14.70 )	3.59 ( 0.77 - 4.75 )	16.10	97
15+42+60	1.63	4.58	6.54	-	-	-	12.75 ( 3.20 - 14.70 )	3.62 ( 0.77 - 4.75 )	16.21	97
15+42+71	1.50	4.20	7.10	-	-	-	12.80 ( 3.20 - 14.70 )	3.62 ( 0.77 - 4.75 )	16.23	97
15+50+50	1.69	5.64	5.64	-	-	-	12.97 ( 3.20 - 14.80 )	3.64 ( 0.77 - 4.56 )	16.30	97
15+50+60	1.56	5.21	6.25	-	-	-	13.02 ( 3.20 - 14.80 )	3.64 ( 0.77 - 4.56 )	16.33	97
15+50+71	1.44	4.82	6.84	-	-	-	13.10 ( 3.20 - 14.80 )	3.65 ( 0.77 - 4.56 )	16.35	97
15+60+60	1.46	5.82	5.82	-	-	-	13.10 ( 3.20 - 14.80 )	3.65 ( 0.77 - 4.56 )	16.35	97
15+60+71	1.36	5.45	6.44	-	-	-	13.25 ( 3.20 - 15.00 )	3.58 ( 0.77 - 4.58 )	16.03	97
15+71+71	1.28	6.06	6.06	-	-	-	13.40 ( 3.20 - 15.10 )	3.50 ( 0.77 - 4.60 )	15.71	97
18+18+18	3.27	3.27	3.27	-	-	-	9.81 ( 3.20 - 12.60 )	2.22 ( 0.78 - 4.21 )	9.94	97
18+18+20	2.83	2.83	3.14	-	-	-	8.80 ( 3.20 - 11.90 )	1.97 ( 0.79 - 4.37 )	8.84	97
18+18+22	3.04	3.04	3.72	-	-	-	9.80 ( 3.20 - 12.60 )	2.22 ( 0.78 - 4.21 )	9.94	97
18+18+25	3.01	3.01	4.18	-	-	-	10.20 ( 3.20 - 12.90 )	2.40 ( 0.77 - 4.23 )	10.74	97
18+18+35	2.69	2.69	5.23	-	-	-	10.61 ( 3.20 - 13.30 )	2.59 ( 0.77 - 4.30 )	11.62	97
18+18+42	2.77	2.77	6.46	-	-	-	12.00 ( 3.20 - 14.50 )	3.38 ( 0.77 - 4.94 )	15.14	97
18+18+50	2.60	2.60	7.21	-	-	-	12.41 ( 3.20 - 14.60 )	3.53 ( 0.77 - 4.85 )	15.83	97
18+18+60	2.36	2.36	7.88	-	-	-	12.60 ( 3.20 - 14.70 )	3.60 ( 0.77 - 4.75 )	16.15	97
18+18+71	2.15	2.15	8.49	-	-	-	12.79 ( 3.20 - 14.70 )	3.62 ( 0.77 - 4.75 )	16.23	97
18+20+20	2.39	2.66	2.66	-	-	-	7.71 ( 3.10 - 11.20 )	1.69 ( 0.80 - 4.54 )	7.59	97
18+20+22	2.64	2.93	3.23	-	-	-	8.80 ( 3.20 - 11.90 )	1.97 ( 0.79 - 4.37 )	8.84	97
18+20+25	2.60	2.89	3.61	-	-	-	9.10 ( 3.20 - 12.10 )	2.05 ( 0.79 - 4.32 )	9.17	97
18+20+35	2.34	2.60	4.55	-	-	-	9.49 ( 3.20 - 12.40 )	2.14 ( 0.78 - 4.26 )	9.60	97
18+20+42	2.45	2.73	5.72	-	-	-	10.90 ( 3.20 - 13.60 )	2.75 ( 0.77 - 4.38 )	12.32	97
18+20+50	2.50	2.77	6.93	-	-	-	12.20 ( 3.20 - 14.60 )	3.45 ( 0.77 - 4.85 )	15.47	97
18+20+60	2.26	2.51	7.53	-	-	-	12.30 ( 3.20 - 14.60 )	3.50 ( 0.77 - 4.85 )	15.67	97
18+20+71	2.06	2.29	8.14	-	-	-	12.49 ( 3.20 - 14.70 )	3.57 ( 0.77 - 4.75 )	15.99	97
18+22+22	2.85	3.48	3.48	-	-	-	9.81 ( 3.20 - 12.60 )	2.22 ( 0.78 - 4.21 )	9.94	97
18+22+25	2.82	3.45	3.92	-	-	-	10.19 ( 3.20 - 12.90 )	2.40 ( 0.77 - 4.23 )	10.74	97
18+22+35	2.54	3.11	4.95	-	-	-	10.60 ( 3.20 - 13.30 )	2.59 ( 0.77 - 4.30 )	11.62	97
18+22+42	2.63	3.22	6.15	-	-	-	12.00 ( 3.20 - 14.50 )	3.38 ( 0.77 - 4.94 )	15.14	97
18+22+50	2.48	3.03	6.89	-	-	-	12.40 ( 3.20 - 14.60 )	3.53 ( 0.77 - 4.85 )	15.83	97
18+22+60	2.27	2.77	7.56	-	-	-	12.60 ( 3.20 - 14.70 )	3.60 ( 0.77 - 4.75 )	16.15	97
18+22+71	2.08	2.54	8.19	-	-	-	12.81 ( 3.20 - 14.70 )	3.62 ( 0.77 - 4.75 )	16.23	97

# MXZ-6D122VA HEATING

Indoor units combination	Heating Capacity (kW)							Outdoor unit power consumption (kW)	Current (A)	Power factor (%)
	Unit A	Unit B	Unit C	Unit D	Unit E	Unit F	Total			
18+25+25	2.78	3.86	3.86	-	-	-	10.50 ( 3.20 - 13.20 )	2.54 ( 0.77 - 4.28 )	11.39	97
18+25+35	2.52	3.49	4.89	-	-	-	10.90 ( 3.20 - 13.60 )	2.75 ( 0.77 - 4.38 )	12.32	97
18+25+42	2.56	3.56	5.98	-	-	-	12.10 ( 3.20 - 14.50 )	3.41 ( 0.77 - 4.94 )	15.30	97
18+25+50	2.42	3.36	6.72	-	-	-	12.50 ( 3.20 - 14.70 )	3.57 ( 0.77 - 4.75 )	15.99	97
18+25+60	2.22	3.08	7.40	-	-	-	12.70 ( 3.20 - 14.70 )	3.61 ( 0.77 - 4.75 )	16.19	97
18+25+71	2.02	2.81	7.97	-	-	-	12.80 ( 3.20 - 14.70 )	3.62 ( 0.77 - 4.75 )	16.23	97
18+35+35	2.31	4.49	4.49	-	-	-	11.29 ( 3.20 - 13.90 )	2.98 ( 0.77 - 4.57 )	13.37	97
18+35+42	2.31	4.49	5.39	-	-	-	12.19 ( 3.20 - 14.60 )	3.45 ( 0.77 - 4.85 )	15.47	97
18+35+50	2.20	4.28	6.12	-	-	-	12.60 ( 3.20 - 14.70 )	3.60 ( 0.77 - 4.75 )	16.15	97
18+35+60	2.04	3.96	6.80	-	-	-	12.80 ( 3.20 - 14.70 )	3.62 ( 0.77 - 4.75 )	16.23	97
18+35+71	1.86	3.61	7.33	-	-	-	12.80 ( 3.20 - 14.70 )	3.62 ( 0.77 - 4.75 )	16.23	97
18+42+42	2.21	5.15	5.15	-	-	-	12.51 ( 3.20 - 14.70 )	3.57 ( 0.77 - 4.75 )	15.99	97
18+42+50	2.09	4.89	5.82	-	-	-	12.80 ( 3.20 - 14.70 )	3.62 ( 0.77 - 4.75 )	16.23	97
18+42+60	1.95	4.55	6.50	-	-	-	13.00 ( 3.20 - 14.80 )	3.64 ( 0.77 - 4.56 )	16.31	97
18+42+71	1.79	4.18	7.07	-	-	-	13.04 ( 3.20 - 14.80 )	3.64 ( 0.77 - 4.56 )	16.33	97
18+50+50	2.00	5.55	5.55	-	-	-	13.10 ( 3.20 - 14.80 )	3.65 ( 0.77 - 4.56 )	16.35	97
18+50+60	1.87	5.20	6.23	-	-	-	13.30 ( 3.20 - 15.00 )	3.55 ( 0.77 - 4.58 )	15.91	97
18+50+71	1.74	4.82	6.84	-	-	-	13.40 ( 3.20 - 15.10 )	3.50 ( 0.76 - 4.60 )	15.71	97
18+60+60	1.75	5.83	5.83	-	-	-	13.41 ( 3.20 - 15.10 )	3.50 ( 0.76 - 4.60 )	15.71	97
18+60+71	1.63	5.44	6.43	-	-	-	13.50 ( 3.20 - 15.20 )	3.45 ( 0.76 - 4.61 )	15.47	97
18+71+71	1.53	6.04	6.04	-	-	-	13.61 ( 3.20 - 15.30 )	3.41 ( 0.76 - 4.62 )	15.26	97
20+20+20	2.20	2.20	2.20	-	-	-	6.60 ( 3.10 - 10.50 )	1.42 ( 0.82 - 4.72 )	6.38	97
20+20+22	2.48	2.48	2.73	-	-	-	7.69 ( 3.10 - 11.20 )	1.69 ( 0.80 - 4.54 )	7.59	97
20+20+25	2.46	2.46	3.08	-	-	-	8.00 ( 3.20 - 11.40 )	1.77 ( 0.80 - 4.50 )	7.93	97
20+20+35	2.24	2.24	3.92	-	-	-	8.40 ( 3.20 - 11.70 )	1.87 ( 0.80 - 4.44 )	8.39	97
20+20+42	2.39	2.39	5.02	-	-	-	9.80 ( 3.20 - 12.60 )	2.22 ( 0.78 - 4.21 )	9.94	97
20+20+50	2.58	2.58	6.44	-	-	-	11.60 ( 3.20 - 14.20 )	3.15 ( 0.77 - 4.75 )	14.13	97
20+20+60	2.42	2.42	7.26	-	-	-	12.10 ( 3.20 - 14.50 )	3.41 ( 0.77 - 4.94 )	15.30	97
20+20+71	2.20	2.20	7.80	-	-	-	12.20 ( 3.20 - 14.60 )	3.45 ( 0.77 - 4.85 )	15.47	97
20+22+22	2.75	3.03	3.03	-	-	-	8.81 ( 3.20 - 11.90 )	1.97 ( 0.79 - 4.37 )	8.84	97
20+22+25	2.72	2.99	3.40	-	-	-	9.11 ( 3.20 - 12.10 )	2.05 ( 0.79 - 4.32 )	9.17	97
20+22+35	2.47	2.71	4.32	-	-	-	9.50 ( 3.20 - 12.40 )	2.14 ( 0.78 - 4.26 )	9.60	97
20+22+42	2.60	2.85	5.45	-	-	-	10.90 ( 3.20 - 13.60 )	2.75 ( 0.77 - 4.38 )	12.32	97
20+22+50	2.65	2.92	6.63	-	-	-	12.20 ( 3.20 - 14.60 )	3.45 ( 0.77 - 4.85 )	15.47	97
20+22+60	2.41	2.65	7.24	-	-	-	12.30 ( 3.20 - 14.60 )	3.50 ( 0.77 - 4.85 )	15.67	97
20+22+71	2.21	2.43	7.85	-	-	-	12.49 ( 3.20 - 14.70 )	3.57 ( 0.77 - 4.75 )	15.99	97

# MXZ-6D122VA HEATING

Indoor units combination	Heating Capacity (kW)						Outdoor unit power consumption (kW)	Current (A)	Power factor (%)	
	Unit A	Unit B	Unit C	Unit D	Unit E	Unit F				Total
20+25+25	2.69	3.36	3.36	-	-	-	9.41 ( 3.20 - 12.30 )	2.12 ( 0.78 - 4.27 )	9.49	97
20+25+35	2.45	3.06	4.29	-	-	-	9.80 ( 3.20 - 12.60 )	2.22 ( 0.78 - 4.21 )	9.94	97
20+25+42	2.57	3.22	5.41	-	-	-	11.20 ( 3.20 - 13.80 )	2.92 ( 0.77 - 4.51 )	13.08	97
20+25+50	2.57	3.21	6.42	-	-	-	12.20 ( 3.20 - 14.60 )	3.45 ( 0.77 - 4.85 )	15.47	97
20+25+60	2.34	2.93	7.03	-	-	-	12.30 ( 3.20 - 14.60 )	3.50 ( 0.77 - 4.85 )	15.67	97
20+25+71	2.17	2.72	7.71	-	-	-	12.60 ( 3.20 - 14.70 )	3.60 ( 0.77 - 4.75 )	16.15	97
20+35+35	2.27	3.97	3.97	-	-	-	10.21 ( 3.20 - 12.90 )	2.40 ( 0.77 - 4.23 )	10.74	97
20+35+42	2.39	4.19	5.02	-	-	-	11.60 ( 3.20 - 14.20 )	3.15 ( 0.77 - 4.75 )	14.13	97
20+35+50	2.34	4.10	5.86	-	-	-	12.30 ( 3.20 - 14.60 )	3.50 ( 0.77 - 4.85 )	15.67	97
20+35+60	2.17	3.80	6.52	-	-	-	12.49 ( 3.20 - 14.70 )	3.57 ( 0.77 - 4.75 )	15.99	97
20+35+71	2.02	3.53	7.16	-	-	-	12.71 ( 3.20 - 14.70 )	3.61 ( 0.77 - 4.75 )	16.19	97
20+42+42	2.35	4.93	4.93	-	-	-	12.21 ( 3.20 - 14.60 )	3.45 ( 0.77 - 4.85 )	15.47	97
20+42+50	2.27	4.76	5.67	-	-	-	12.70 ( 3.20 - 14.70 )	3.61 ( 0.77 - 4.75 )	16.19	97
20+42+60	2.10	4.41	6.30	-	-	-	12.81 ( 3.20 - 14.70 )	3.62 ( 0.77 - 4.75 )	16.23	97
20+42+71	1.95	4.09	6.92	-	-	-	12.96 ( 3.20 - 14.80 )	3.64 ( 0.77 - 4.56 )	16.30	97
20+50+50	2.17	5.42	5.42	-	-	-	13.01 ( 3.20 - 14.80 )	3.64 ( 0.77 - 4.56 )	16.31	97
20+50+60	2.02	5.04	6.05	-	-	-	13.11 ( 3.20 - 14.80 )	3.65 ( 0.77 - 4.56 )	16.35	97
20+50+71	1.87	4.68	6.65	-	-	-	13.20 ( 3.20 - 14.90 )	3.60 ( 0.77 - 4.57 )	16.15	97
20+60+60	1.89	5.66	5.66	-	-	-	13.21 ( 3.20 - 14.90 )	3.60 ( 0.77 - 4.57 )	16.15	97
20+60+71	1.76	5.28	6.25	-	-	-	13.29 ( 3.20 - 15.00 )	3.55 ( 0.77 - 4.58 )	15.91	97
20+71+71	1.67	5.92	5.92	-	-	-	13.51 ( 3.20 - 15.20 )	3.45 ( 0.76 - 4.61 )	15.47	97
22+22+22	3.27	3.27	3.27	-	-	-	9.81 ( 3.20 - 12.60 )	2.22 ( 0.78 - 4.21 )	9.94	97
22+22+25	3.25	3.25	3.70	-	-	-	10.20 ( 3.20 - 12.90 )	2.40 ( 0.77 - 4.23 )	10.74	97
22+22+35	2.95	2.95	4.70	-	-	-	10.60 ( 3.20 - 13.30 )	2.59 ( 0.77 - 4.30 )	11.62	97
22+22+42	3.07	3.07	5.86	-	-	-	12.00 ( 3.20 - 14.50 )	3.38 ( 0.77 - 4.94 )	15.14	97
22+22+50	2.90	2.90	6.60	-	-	-	12.40 ( 3.20 - 14.60 )	3.53 ( 0.77 - 4.85 )	15.83	97
22+22+60	2.67	2.67	7.27	-	-	-	12.61 ( 3.20 - 14.70 )	3.60 ( 0.77 - 4.75 )	16.15	97
22+22+71	2.45	2.45	7.90	-	-	-	12.80 ( 3.20 - 14.70 )	3.62 ( 0.77 - 4.75 )	16.23	97
22+25+25	3.21	3.65	3.65	-	-	-	10.51 ( 3.20 - 13.20 )	2.54 ( 0.77 - 4.28 )	11.39	97
22+25+35	2.92	3.32	4.65	-	-	-	10.89 ( 3.20 - 13.60 )	2.75 ( 0.77 - 4.38 )	12.32	97
22+25+42	2.99	3.40	5.71	-	-	-	12.10 ( 3.20 - 14.50 )	3.41 ( 0.77 - 4.94 )	15.30	97
22+25+50	2.84	3.22	6.44	-	-	-	12.50 ( 3.20 - 14.70 )	3.57 ( 0.77 - 4.75 )	15.99	97
22+25+60	2.61	2.97	7.12	-	-	-	12.70 ( 3.20 - 14.70 )	3.61 ( 0.77 - 4.75 )	16.19	97
22+25+71	2.39	2.71	7.70	-	-	-	12.80 ( 3.20 - 14.70 )	3.62 ( 0.77 - 4.75 )	16.23	97
22+35+35	2.70	4.30	4.30	-	-	-	11.30 ( 3.20 - 13.90 )	2.98 ( 0.77 - 4.57 )	13.37	97
22+35+42	2.71	4.31	5.18	-	-	-	12.20 ( 3.20 - 14.60 )	3.45 ( 0.77 - 4.85 )	15.47	97

# MXZ-6D122VA HEATING

Indoor units combination	Heating Capacity (kW)							Outdoor unit power consumption (kW)	Current (A)	Power factor (%)
	Unit A	Unit B	Unit C	Unit D	Unit E	Unit F	Total			
22+35+50	2.59	4.12	5.89	-	-	-	12.60 ( 3.20 - 14.70 )	3.60 ( 0.77 - 4.75 )	16.15	97
22+35+60	2.41	3.83	6.56	-	-	-	12.80 ( 3.20 - 14.70 )	3.62 ( 0.77 - 4.75 )	16.23	97
22+35+71	2.20	3.50	7.10	-	-	-	12.80 ( 3.20 - 14.70 )	3.62 ( 0.77 - 4.75 )	16.23	97
22+42+42	2.59	4.95	4.95	-	-	-	12.49 ( 3.20 - 14.70 )	3.57 ( 0.77 - 4.75 )	15.99	97
22+42+50	2.47	4.72	5.61	-	-	-	12.80 ( 3.20 - 14.70 )	3.62 ( 0.77 - 4.75 )	16.23	97
22+42+60	2.31	4.40	6.29	-	-	-	13.00 ( 3.20 - 14.80 )	3.64 ( 0.77 - 4.56 )	16.31	97
22+42+71	2.13	4.06	6.86	-	-	-	13.05 ( 3.20 - 14.80 )	3.64 ( 0.77 - 4.56 )	16.33	97
22+50+50	2.36	5.37	5.37	-	-	-	13.10 ( 3.20 - 14.80 )	3.65 ( 0.77 - 4.56 )	16.35	97
22+50+60	2.22	5.04	6.05	-	-	-	13.31 ( 3.20 - 15.00 )	3.55 ( 0.77 - 4.58 )	15.91	97
22+50+71	2.06	4.69	6.65	-	-	-	13.40 ( 3.20 - 15.10 )	3.50 ( 0.76 - 4.60 )	15.71	97
22+60+60	2.08	5.66	5.66	-	-	-	13.40 ( 3.20 - 15.10 )	3.50 ( 0.76 - 4.60 )	15.71	97
22+60+71	1.94	5.29	6.26	-	-	-	13.49 ( 3.20 - 15.20 )	3.45 ( 0.76 - 4.61 )	15.47	97
22+71+71	1.82	5.89	5.89	-	-	-	13.60 ( 3.20 - 15.30 )	3.41 ( 0.76 - 4.62 )	15.26	97
25+25+25	3.60	3.60	3.60	-	-	-	10.80 ( 3.20 - 13.50 )	2.69 ( 0.77 - 4.32 )	12.07	97
25+25+35	3.29	3.29	4.61	-	-	-	11.19 ( 3.20 - 13.80 )	2.92 ( 0.77 - 4.51 )	13.08	97
25+25+42	3.29	3.29	5.52	-	-	-	12.10 ( 3.20 - 14.50 )	3.41 ( 0.77 - 4.94 )	15.30	97
25+25+50	3.15	3.15	6.30	-	-	-	12.60 ( 3.20 - 14.70 )	3.60 ( 0.77 - 4.75 )	16.15	97
25+25+60	2.90	2.90	6.97	-	-	-	12.77 ( 3.20 - 14.70 )	3.62 ( 0.77 - 4.75 )	16.23	97
25+25+71	2.64	2.64	7.51	-	-	-	12.79 ( 3.20 - 14.70 )	3.62 ( 0.77 - 4.75 )	16.23	97
25+35+35	3.05	4.27	4.27	-	-	-	11.59 ( 3.20 - 14.20 )	3.15 ( 0.77 - 4.75 )	14.13	97
25+35+42	2.99	4.19	5.02	-	-	-	12.20 ( 3.20 - 14.60 )	3.45 ( 0.77 - 4.85 )	15.47	97
25+35+50	2.89	4.04	5.77	-	-	-	12.70 ( 3.20 - 14.70 )	3.61 ( 0.77 - 4.75 )	16.19	97
25+35+60	2.67	3.73	6.40	-	-	-	12.80 ( 3.20 - 14.70 )	3.62 ( 0.77 - 4.75 )	16.23	97
25+35+71	2.47	3.46	7.03	-	-	-	12.96 ( 3.20 - 14.80 )	3.64 ( 0.77 - 4.56 )	16.30	97
25+42+42	2.89	4.86	4.86	-	-	-	12.61 ( 3.20 - 14.70 )	3.60 ( 0.77 - 4.75 )	16.15	97
25+42+50	2.77	4.65	5.54	-	-	-	12.96 ( 3.20 - 14.80 )	3.64 ( 0.77 - 4.56 )	16.30	97
25+42+60	2.57	4.31	6.16	-	-	-	13.04 ( 3.20 - 14.80 )	3.64 ( 0.77 - 4.56 )	16.33	97
25+42+71	2.37	3.99	6.74	-	-	-	13.10 ( 3.20 - 14.80 )	3.65 ( 0.77 - 4.56 )	16.35	97
25+50+50	2.64	5.28	5.28	-	-	-	13.20 ( 3.20 - 14.90 )	3.60 ( 0.77 - 4.57 )	16.15	97
25+50+60	2.46	4.93	5.91	-	-	-	13.30 ( 3.20 - 15.00 )	3.55 ( 0.77 - 4.58 )	15.91	97
25+50+71	2.31	4.62	6.57	-	-	-	13.50 ( 3.20 - 15.20 )	3.45 ( 0.76 - 4.61 )	15.47	97
25+60+60	2.33	5.59	5.59	-	-	-	13.51 ( 3.20 - 15.20 )	3.45 ( 0.76 - 4.61 )	15.47	97
25+60+71	2.17	5.21	6.16	-	-	-	13.54 ( 3.20 - 15.30 )	3.43 ( 0.76 - 4.62 )	15.38	97
25+71+71	2.04	5.78	5.78	-	-	-	13.60 ( 3.20 - 15.30 )	3.41 ( 0.76 - 4.62 )	15.26	97
35+35+35	4.00	4.00	4.00	-	-	-	12.00 ( 3.20 - 14.50 )	3.38 ( 0.77 - 4.94 )	15.14	97
35+35+42	3.84	3.84	4.61	-	-	-	12.29 ( 3.20 - 14.60 )	3.50 ( 0.77 - 4.85 )	15.67	97

# MXZ-6D122VA HEATING

Indoor units combination	Heating Capacity (kW)							Outdoor unit power consumption (kW)	Current (A)	Power factor (%)
	Unit A	Unit B	Unit C	Unit D	Unit E	Unit F	Total			
35+35+50	3.73	3.73	5.33	-	-	-	12.79 ( 3.20 - 14.70 )	3.62 ( 0.77 - 4.75 )	16.23	97
35+35+60	3.47	3.47	5.95	-	-	-	12.89 ( 3.20 - 14.80 )	3.63 ( 0.77 - 4.56 )	16.27	97
35+35+71	3.23	3.23	6.55	-	-	-	13.01 ( 3.20 - 14.80 )	3.64 ( 0.77 - 4.56 )	16.31	97
35+42+42	3.74	4.48	4.48	-	-	-	12.70 ( 3.20 - 14.70 )	3.61 ( 0.77 - 4.75 )	16.19	97
35+42+50	3.58	4.30	5.12	-	-	-	13.00 ( 3.20 - 14.80 )	3.64 ( 0.77 - 4.56 )	16.31	97
35+42+60	3.35	4.02	5.74	-	-	-	13.11 ( 3.20 - 14.80 )	3.65 ( 0.77 - 4.56 )	16.35	97
35+42+71	3.12	3.75	6.33	-	-	-	13.20 ( 3.20 - 14.90 )	3.60 ( 0.77 - 4.57 )	16.15	97
35+50+50	3.45	4.93	4.93	-	-	-	13.31 ( 3.20 - 15.00 )	3.55 ( 0.77 - 4.58 )	15.91	97
35+50+60	3.23	4.62	5.54	-	-	-	13.39 ( 3.20 - 15.10 )	3.50 ( 0.76 - 4.60 )	15.71	97
35+50+71	3.03	4.33	6.14	-	-	-	13.50 ( 3.20 - 15.20 )	3.45 ( 0.76 - 4.61 )	15.47	97
35+60+60	3.05	5.23	5.23	-	-	-	13.51 ( 3.20 - 15.20 )	3.45 ( 0.76 - 4.61 )	15.47	97
35+60+71	2.87	4.92	5.82	-	-	-	13.61 ( 3.20 - 15.30 )	3.41 ( 0.76 - 4.62 )	15.26	97
35+71+71	2.69	5.46	5.46	-	-	-	13.61 ( 3.20 - 15.30 )	3.41 ( 0.76 - 4.62 )	15.26	97
42+42+42	4.33	4.33	4.33	-	-	-	12.99 ( 3.20 - 14.80 )	3.64 ( 0.77 - 4.56 )	16.31	97
42+42+50	4.14	4.14	4.93	-	-	-	13.21 ( 3.20 - 14.90 )	3.60 ( 0.77 - 4.57 )	16.15	97
42+42+60	3.88	3.88	5.54	-	-	-	13.30 ( 3.20 - 15.00 )	3.55 ( 0.77 - 4.58 )	15.91	97
42+42+71	3.66	3.66	6.18	-	-	-	13.50 ( 3.20 - 15.20 )	3.45 ( 0.76 - 4.61 )	15.47	97
42+50+50	3.99	4.75	4.75	-	-	-	13.49 ( 3.20 - 15.20 )	3.45 ( 0.76 - 4.61 )	15.47	97
42+50+60	3.76	4.47	5.37	-	-	-	13.60 ( 3.20 - 15.30 )	3.41 ( 0.76 - 4.62 )	15.26	97
42+50+71	3.50	4.17	5.92	-	-	-	13.59 ( 3.20 - 15.30 )	3.41 ( 0.76 - 4.62 )	15.26	97
42+60+60	3.53	5.04	5.04	-	-	-	13.61 ( 3.20 - 15.30 )	3.41 ( 0.76 - 4.62 )	15.26	97
42+60+71	3.30	4.72	5.58	-	-	-	13.60 ( 3.20 - 15.30 )	3.41 ( 0.76 - 4.62 )	15.26	97
50+50+50	4.53	4.53	4.53	-	-	-	13.59 ( 3.20 - 15.30 )	3.41 ( 0.76 - 4.62 )	15.26	97
50+50+60	4.25	4.25	5.10	-	-	-	13.60 ( 3.20 - 15.30 )	3.41 ( 0.76 - 4.62 )	15.26	97
50+50+71	3.98	3.98	5.65	-	-	-	13.61 ( 3.20 - 15.30 )	3.41 ( 0.76 - 4.62 )	15.26	97
50+60+60	4.00	4.80	4.80	-	-	-	13.60 ( 3.20 - 15.30 )	3.41 ( 0.76 - 4.62 )	15.26	97
60+60+60	4.53	4.53	4.53	-	-	-	13.59 ( 3.20 - 15.30 )	3.41 ( 0.76 - 4.62 )	15.26	97
15+15+15+15	1.70	1.70	1.70	1.70	-	-	6.80 ( 3.10 - 9.90 )	1.35 ( 0.79 - 3.23 )	5.93	99
15+15+15+18	1.98	1.98	1.98	2.37	-	-	8.31 ( 3.10 - 11.60 )	1.86 ( 0.79 - 3.80 )	8.15	99
15+15+15+20	1.68	1.68	1.68	2.25	-	-	7.29 ( 3.10 - 9.90 )	1.52 ( 0.79 - 3.23 )	6.69	99
15+15+15+22	1.86	1.86	1.86	2.73	-	-	8.31 ( 3.10 - 11.60 )	1.86 ( 0.79 - 3.80 )	8.15	99
15+15+15+25	1.86	1.86	1.86	3.11	-	-	8.69 ( 3.10 - 12.20 )	1.98 ( 0.79 - 4.00 )	8.70	99
15+15+15+35	1.71	1.71	1.71	3.98	-	-	9.11 ( 3.10 - 13.40 )	2.07 ( 0.79 - 4.29 )	9.10	99
15+15+15+42	1.81	1.81	1.81	5.07	-	-	10.50 ( 3.20 - 14.20 )	2.35 ( 0.78 - 4.15 )	10.31	99
15+15+15+50	1.93	1.93	1.93	6.42	-	-	12.21 ( 3.20 - 14.90 )	2.87 ( 0.76 - 4.25 )	12.62	99
15+15+15+60	1.77	1.77	1.77	7.09	-	-	12.40 ( 3.20 - 14.90 )	2.98 ( 0.76 - 4.25 )	13.10	99



# MXZ-6D122VA HEATING

Indoor units combination	Heating Capacity (kW)							Outdoor unit power consumption (kW)	Current (A)	Power factor (%)
	Unit A	Unit B	Unit C	Unit D	Unit E	Unit F	Total			
15+15+15+71	1.63	1.63	1.63	7.71	-	-	12.60 ( 3.20 - 14.90 )	3.09 ( 0.76 - 4.25 )	13.57	99
15+15+18+18	2.27	2.27	2.73	2.73	-	-	10.00 ( 3.20 - 13.90 )	2.25 ( 0.79 - 4.20 )	9.88	99
15+15+18+20	1.94	1.94	2.33	2.59	-	-	8.80 ( 3.10 - 13.20 )	2.02 ( 0.79 - 4.33 )	8.86	99
15+15+18+22	2.14	2.14	2.57	3.14	-	-	9.99 ( 3.20 - 13.90 )	2.25 ( 0.79 - 4.20 )	9.88	99
15+15+18+25	2.10	2.10	2.52	3.49	-	-	10.21 ( 3.20 - 14.00 )	2.29 ( 0.78 - 4.18 )	10.05	99
15+15+18+35	1.93	1.93	2.32	4.51	-	-	10.69 ( 3.20 - 14.30 )	2.39 ( 0.78 - 4.13 )	10.48	99
15+15+18+42	2.02	2.02	2.42	5.65	-	-	12.11 ( 3.20 - 14.90 )	2.82 ( 0.76 - 4.25 )	12.38	99
15+15+18+50	1.94	1.94	2.33	6.48	-	-	12.69 ( 3.20 - 15.00 )	3.14 ( 0.76 - 4.72 )	13.81	99
15+15+18+60	1.79	1.79	2.15	7.17	-	-	12.90 ( 3.20 - 15.00 )	3.25 ( 0.76 - 4.72 )	14.28	99
15+15+18+71	1.64	1.64	1.97	7.76	-	-	13.01 ( 3.20 - 15.00 )	3.31 ( 0.76 - 4.72 )	14.52	99
15+15+20+20	1.67	1.67	2.23	2.23	-	-	7.80 ( 3.10 - 10.70 )	1.68 ( 0.79 - 3.50 )	7.40	99
15+15+20+22	1.83	1.83	2.44	2.69	-	-	8.79 ( 3.10 - 13.20 )	2.02 ( 0.79 - 4.33 )	8.86	99
15+15+20+25	1.84	1.84	2.45	3.07	-	-	9.20 ( 3.20 - 13.50 )	2.09 ( 0.79 - 4.28 )	9.19	99
15+15+20+35	1.69	1.69	2.26	3.95	-	-	9.59 ( 3.20 - 13.70 )	2.17 ( 0.79 - 4.24 )	9.54	99
15+15+20+42	1.79	1.79	2.39	5.02	-	-	10.99 ( 3.20 - 14.40 )	2.45 ( 0.77 - 4.10 )	10.75	99
15+15+20+50	1.85	1.85	2.46	6.15	-	-	12.31 ( 3.20 - 14.90 )	2.93 ( 0.76 - 4.25 )	12.86	99
15+15+20+60	1.72	1.72	2.29	6.87	-	-	12.60 ( 3.20 - 14.90 )	3.09 ( 0.76 - 4.25 )	13.57	99
15+15+20+71	1.57	1.57	2.10	7.45	-	-	12.69 ( 3.20 - 15.00 )	3.14 ( 0.76 - 4.72 )	13.81	99
15+15+22+22	2.03	2.03	2.97	2.97	-	-	10.00 ( 3.20 - 13.90 )	2.25 ( 0.79 - 4.20 )	9.88	99
15+15+22+25	1.99	1.99	2.91	3.31	-	-	10.20 ( 3.20 - 14.00 )	2.29 ( 0.78 - 4.18 )	10.05	99
15+15+22+35	1.84	1.84	2.71	4.30	-	-	10.69 ( 3.20 - 14.30 )	2.39 ( 0.78 - 4.13 )	10.48	99
15+15+22+42	1.93	1.93	2.83	5.41	-	-	12.10 ( 3.20 - 14.90 )	2.82 ( 0.76 - 4.25 )	12.38	99
15+15+22+50	1.87	1.87	2.74	6.23	-	-	12.71 ( 3.20 - 15.00 )	3.14 ( 0.76 - 4.72 )	13.81	99
15+15+22+60	1.73	1.73	2.53	6.91	-	-	12.90 ( 3.20 - 15.00 )	3.25 ( 0.76 - 4.72 )	14.28	99
15+15+22+71	1.59	1.59	2.33	7.50	-	-	13.01 ( 3.20 - 15.00 )	3.31 ( 0.76 - 4.72 )	14.52	99
15+15+25+25	1.99	1.99	3.31	3.31	-	-	10.60 ( 3.20 - 14.20 )	2.37 ( 0.78 - 4.14 )	10.39	99
15+15+25+35	1.83	1.83	3.06	4.28	-	-	11.00 ( 3.20 - 14.40 )	2.45 ( 0.77 - 4.10 )	10.75	99
15+15+25+42	1.89	1.89	3.14	5.28	-	-	12.20 ( 3.20 - 14.90 )	2.87 ( 0.76 - 4.25 )	12.62	99
15+15+25+50	1.81	1.81	3.02	6.05	-	-	12.69 ( 3.20 - 15.00 )	3.14 ( 0.76 - 4.72 )	13.81	99
15+15+25+60	1.70	1.70	2.83	6.78	-	-	13.01 ( 3.20 - 15.00 )	3.31 ( 0.76 - 4.72 )	14.52	99
15+15+25+71	1.56	1.56	2.60	7.38	-	-	13.10 ( 3.20 - 15.00 )	3.36 ( 0.76 - 4.72 )	14.76	99
15+15+35+35	1.71	1.71	3.99	3.99	-	-	11.40 ( 3.20 - 14.60 )	2.52 ( 0.76 - 4.05 )	11.08	99
15+15+35+42	1.72	1.72	4.02	4.83	-	-	12.29 ( 3.20 - 14.90 )	2.93 ( 0.76 - 4.25 )	12.86	99
15+15+35+50	1.69	1.69	3.94	5.62	-	-	12.94 ( 3.20 - 15.00 )	3.27 ( 0.76 - 4.72 )	14.36	99
15+15+35+60	1.57	1.57	3.67	6.29	-	-	13.10 ( 3.20 - 15.00 )	3.36 ( 0.76 - 4.72 )	14.76	99
15+15+35+71	1.46	1.46	3.40	6.89	-	-	13.21 ( 3.20 - 15.00 )	3.41 ( 0.76 - 4.72 )	14.96	99

# MXZ-6D122VA HEATING

Indoor units combination	Heating Capacity (kW)							Outdoor unit power consumption (kW)	Current (A)	Power factor (%)
	Unit A	Unit B	Unit C	Unit D	Unit E	Unit F	Total			
15+15+42+42	1.68	1.68	4.72	4.72	-	-	12.80 ( 3.20 - 15.00 )	3.20 ( 0.76 - 4.72 )	14.05	99
15+15+42+50	1.62	1.62	4.54	5.41	-	-	13.19 ( 3.20 - 15.00 )	3.41 ( 0.76 - 4.72 )	14.96	99
15+15+42+60	1.50	1.50	4.20	6.00	-	-	13.20 ( 3.20 - 15.00 )	3.39 ( 0.76 - 4.72 )	14.87	99
15+15+42+71	1.38	1.38	3.88	6.55	-	-	13.19 ( 3.20 - 15.00 )	3.35 ( 0.76 - 4.72 )	14.72	99
15+15+50+50	1.52	1.52	5.08	5.08	-	-	13.20 ( 3.20 - 15.10 )	3.32 ( 0.76 - 4.50 )	14.60	99
15+15+50+60	1.41	1.41	4.71	5.66	-	-	13.19 ( 3.20 - 15.10 )	3.28 ( 0.76 - 4.50 )	14.42	99
15+15+50+71	1.31	1.31	4.37	6.21	-	-	13.20 ( 3.20 - 15.10 )	3.27 ( 0.76 - 4.50 )	14.36	99
15+15+60+60	1.32	1.32	5.28	5.28	-	-	13.20 ( 3.20 - 15.10 )	3.25 ( 0.76 - 4.50 )	14.28	99
15+15+60+71	1.23	1.23	4.92	5.82	-	-	13.20 ( 3.20 - 15.10 )	3.24 ( 0.76 - 4.50 )	14.24	99
15+15+71+71	1.15	1.15	5.45	5.45	-	-	13.20 ( 3.20 - 15.10 )	3.24 ( 0.76 - 4.50 )	14.24	99
15+18+18+18	2.52	3.03	3.03	3.03	-	-	11.61 ( 3.20 - 14.70 )	2.60 ( 0.76 - 4.12 )	11.43	99
15+18+18+20	2.22	2.66	2.66	2.96	-	-	10.50 ( 3.20 - 14.20 )	2.35 ( 0.78 - 4.15 )	10.31	99
15+18+18+22	2.38	2.86	2.86	3.50	-	-	11.60 ( 3.20 - 14.70 )	2.60 ( 0.76 - 4.12 )	11.43	99
15+18+18+25	2.35	2.82	2.82	3.91	-	-	11.90 ( 3.20 - 14.80 )	2.73 ( 0.76 - 4.18 )	11.99	99
15+18+18+35	2.13	2.55	2.55	4.97	-	-	12.20 ( 3.20 - 14.90 )	2.87 ( 0.76 - 4.25 )	12.62	99
15+18+18+42	2.03	2.44	2.44	5.69	-	-	12.60 ( 3.20 - 15.00 )	3.09 ( 0.76 - 4.72 )	13.57	99
15+18+18+50	1.95	2.33	2.33	6.49	-	-	13.10 ( 3.20 - 15.00 )	3.36 ( 0.76 - 4.72 )	14.76	99
15+18+18+60	1.78	2.14	2.14	7.14	-	-	13.20 ( 3.20 - 15.00 )	3.41 ( 0.76 - 4.72 )	14.96	99
15+18+18+71	1.62	1.95	1.95	7.68	-	-	13.20 ( 3.20 - 15.00 )	3.38 ( 0.76 - 4.72 )	14.85	99
15+18+20+20	1.93	2.32	2.58	2.58	-	-	9.41 ( 3.20 - 13.60 )	2.13 ( 0.79 - 4.26 )	9.36	99
15+18+20+22	2.10	2.52	2.80	3.08	-	-	10.50 ( 3.20 - 14.20 )	2.35 ( 0.78 - 4.15 )	10.31	99
15+18+20+25	2.08	2.49	2.77	3.46	-	-	10.80 ( 3.20 - 14.30 )	2.41 ( 0.77 - 4.11 )	10.56	99
15+18+20+35	1.91	2.29	2.55	4.45	-	-	11.20 ( 3.20 - 14.50 )	2.49 ( 0.76 - 4.08 )	10.92	99
15+18+20+42	1.94	2.33	2.59	5.44	-	-	12.30 ( 3.20 - 14.90 )	2.93 ( 0.76 - 4.25 )	12.86	99
15+18+20+50	1.86	2.24	2.49	6.21	-	-	12.80 ( 3.20 - 15.00 )	3.20 ( 0.76 - 4.72 )	14.05	99
15+18+20+60	1.73	2.07	2.30	6.90	-	-	13.00 ( 3.20 - 15.00 )	3.31 ( 0.76 - 4.72 )	14.52	99
15+18+20+71	1.59	1.91	2.12	7.54	-	-	13.16 ( 3.20 - 15.00 )	3.40 ( 0.76 - 4.72 )	14.92	99
15+18+22+22	2.26	2.71	3.31	3.31	-	-	11.59 ( 3.20 - 14.70 )	2.60 ( 0.76 - 4.12 )	11.43	99
15+18+22+25	2.23	2.68	3.27	3.72	-	-	11.90 ( 3.20 - 14.80 )	2.73 ( 0.76 - 4.18 )	11.99	99
15+18+22+35	2.03	2.44	2.98	4.74	-	-	12.19 ( 3.20 - 14.90 )	2.87 ( 0.76 - 4.25 )	12.62	99
15+18+22+42	1.95	2.34	2.86	5.46	-	-	12.61 ( 3.20 - 15.00 )	3.09 ( 0.76 - 4.72 )	13.57	99
15+18+22+50	1.87	2.25	2.74	6.24	-	-	13.10 ( 3.20 - 15.00 )	3.36 ( 0.76 - 4.72 )	14.76	99
15+18+22+60	1.72	2.07	2.53	6.89	-	-	13.21 ( 3.20 - 15.00 )	3.41 ( 0.76 - 4.72 )	14.96	99
15+18+22+71	1.57	1.89	2.30	7.44	-	-	13.20 ( 3.20 - 15.00 )	3.38 ( 0.76 - 4.72 )	14.85	99
15+18+25+25	2.20	2.65	3.67	3.67	-	-	12.19 ( 3.20 - 14.90 )	2.87 ( 0.76 - 4.25 )	12.62	99
15+18+25+35	1.98	2.38	3.31	4.63	-	-	12.30 ( 3.20 - 14.90 )	2.93 ( 0.76 - 4.25 )	12.86	99

# MXZ-6D122VA HEATING

Indoor units combination	Heating Capacity (kW)							Outdoor unit power consumption (kW)	Current (A)	Power factor (%)
	Unit A	Unit B	Unit C	Unit D	Unit E	Unit F	Total			
15+18+25+42	1.91	2.29	3.18	5.33	-	-	12.71 ( 3.20 - 15.00 )	3.14 ( 0.76 - 4.72 )	13.81	99
15+18+25+50	1.83	2.19	3.05	6.10	-	-	13.17 ( 3.20 - 15.00 )	3.40 ( 0.76 - 4.72 )	14.92	99
15+18+25+60	1.68	2.01	2.80	6.71	-	-	13.20 ( 3.20 - 15.00 )	3.39 ( 0.76 - 4.72 )	14.88	99
15+18+25+71	1.53	1.84	2.56	7.27	-	-	13.20 ( 3.20 - 15.00 )	3.38 ( 0.76 - 4.72 )	14.84	99
15+18+35+35	1.81	2.17	4.21	4.21	-	-	12.40 ( 3.20 - 14.90 )	2.98 ( 0.76 - 4.25 )	13.10	99
15+18+35+42	1.75	2.09	4.07	4.89	-	-	12.80 ( 3.20 - 15.00 )	3.20 ( 0.76 - 4.72 )	14.05	99
15+18+35+50	1.68	2.01	3.92	5.59	-	-	13.20 ( 3.20 - 15.00 )	3.41 ( 0.76 - 4.72 )	14.96	99
15+18+35+60	1.55	1.86	3.61	6.19	-	-	13.21 ( 3.20 - 15.00 )	3.38 ( 0.76 - 4.72 )	14.85	99
15+18+35+71	1.42	1.71	3.32	6.74	-	-	13.19 ( 3.20 - 15.00 )	3.34 ( 0.76 - 4.72 )	14.67	99
15+18+42+42	1.69	2.03	4.73	4.73	-	-	13.18 ( 3.20 - 15.00 )	3.40 ( 0.76 - 4.72 )	14.92	99
15+18+42+50	1.58	1.90	4.44	5.28	-	-	13.20 ( 3.20 - 15.00 )	3.34 ( 0.76 - 4.72 )	14.67	99
15+18+42+60	1.47	1.76	4.11	5.87	-	-	13.21 ( 3.20 - 15.10 )	3.29 ( 0.76 - 4.50 )	14.45	99
15+18+42+71	1.36	1.63	3.80	6.42	-	-	13.21 ( 3.20 - 15.10 )	3.27 ( 0.76 - 4.50 )	14.36	99
15+18+50+50	1.49	1.79	4.96	4.96	-	-	13.20 ( 3.20 - 15.10 )	3.25 ( 0.76 - 4.50 )	14.28	99
15+18+50+60	1.38	1.66	4.62	5.54	-	-	13.20 ( 3.20 - 15.10 )	3.24 ( 0.76 - 4.50 )	14.24	99
15+18+50+71	1.29	1.54	4.29	6.09	-	-	13.21 ( 3.20 - 15.10 )	3.24 ( 0.76 - 4.50 )	14.24	99
15+18+60+60	1.29	1.55	5.18	5.18	-	-	13.20 ( 3.20 - 15.10 )	3.24 ( 0.76 - 4.50 )	14.24	99
15+18+60+71	1.21	1.45	4.83	5.71	-	-	13.20 ( 3.20 - 15.10 )	3.24 ( 0.76 - 4.50 )	14.24	99
15+18+71+71	1.13	1.36	5.36	5.36	-	-	13.21 ( 3.20 - 15.10 )	3.24 ( 0.76 - 4.50 )	14.24	99
15+20+20+20	1.66	2.21	2.21	2.21	-	-	8.29 ( 3.10 - 11.60 )	1.86 ( 0.79 - 3.80 )	8.15	99
15+20+20+22	1.83	2.44	2.44	2.69	-	-	9.40 ( 3.20 - 13.60 )	2.13 ( 0.79 - 4.26 )	9.36	99
15+20+20+25	1.82	2.43	2.43	3.03	-	-	9.71 ( 3.20 - 13.70 )	2.19 ( 0.79 - 4.23 )	9.62	99
15+20+20+35	1.68	2.24	2.24	3.93	-	-	10.09 ( 3.20 - 13.90 )	2.27 ( 0.78 - 4.19 )	9.97	99
15+20+20+42	1.78	2.37	2.37	4.98	-	-	11.50 ( 3.20 - 14.60 )	2.57 ( 0.76 - 4.05 )	11.28	99
15+20+20+50	1.79	2.38	2.38	5.95	-	-	12.50 ( 3.20 - 14.90 )	3.04 ( 0.76 - 4.25 )	13.33	99
15+20+20+60	1.66	2.21	2.21	6.63	-	-	12.71 ( 3.20 - 15.00 )	3.14 ( 0.76 - 4.72 )	13.81	99
15+20+20+71	1.54	2.05	2.05	7.29	-	-	12.93 ( 3.20 - 15.00 )	3.27 ( 0.76 - 4.72 )	14.36	99
15+20+22+22	1.99	2.66	2.92	2.92	-	-	10.49 ( 3.20 - 14.20 )	2.35 ( 0.78 - 4.15 )	10.31	99
15+20+22+25	1.98	2.63	2.90	3.29	-	-	10.80 ( 3.20 - 14.30 )	2.41 ( 0.77 - 4.11 )	10.56	99
15+20+22+35	1.83	2.43	2.68	4.26	-	-	11.20 ( 3.20 - 14.50 )	2.49 ( 0.76 - 4.08 )	10.92	99
15+20+22+42	1.86	2.48	2.73	5.22	-	-	12.29 ( 3.20 - 14.90 )	2.93 ( 0.76 - 4.25 )	12.86	99
15+20+22+50	1.79	2.39	2.63	5.98	-	-	12.79 ( 3.20 - 15.00 )	3.20 ( 0.76 - 4.72 )	14.05	99
15+20+22+60	1.67	2.22	2.44	6.67	-	-	13.00 ( 3.20 - 15.00 )	3.31 ( 0.76 - 4.72 )	14.52	99
15+20+22+71	1.54	2.06	2.26	7.30	-	-	13.16 ( 3.20 - 15.00 )	3.40 ( 0.76 - 4.72 )	14.92	99
15+20+25+25	1.96	2.61	3.26	3.26	-	-	11.09 ( 3.20 - 14.40 )	2.47 ( 0.76 - 4.09 )	10.84	99
15+20+25+35	1.82	2.42	3.03	4.24	-	-	11.51 ( 3.20 - 14.60 )	2.57 ( 0.76 - 4.05 )	11.28	99

# MXZ-6D122VA HEATING

Indoor units combination	Heating Capacity (kW)							Outdoor unit power consumption (kW)	Current (A)	Power factor (%)
	Unit A	Unit B	Unit C	Unit D	Unit E	Unit F	Total			
15+20+25+42	1.82	2.43	3.04	5.11	-	-	12.40 ( 3.20 - 14.90 )	2.98 ( 0.76 - 4.25 )	13.10	99
15+20+25+50	1.76	2.35	2.94	5.88	-	-	12.93 ( 3.20 - 15.00 )	3.27 ( 0.76 - 4.72 )	14.36	99
15+20+25+60	1.64	2.18	2.73	6.55	-	-	13.10 ( 3.20 - 15.00 )	3.36 ( 0.76 - 4.72 )	14.76	99
15+20+25+71	1.51	2.02	2.52	7.15	-	-	13.20 ( 3.20 - 15.00 )	3.41 ( 0.76 - 4.72 )	14.96	99
15+20+35+35	1.70	2.27	3.97	3.97	-	-	11.91 ( 3.20 - 14.80 )	2.73 ( 0.76 - 4.18 )	11.99	99
15+20+35+42	1.67	2.23	3.91	4.69	-	-	12.50 ( 3.20 - 14.90 )	3.04 ( 0.76 - 4.25 )	13.33	99
15+20+35+50	1.63	2.17	3.79	5.42	-	-	13.01 ( 3.20 - 15.00 )	3.31 ( 0.76 - 4.72 )	14.52	99
15+20+35+60	1.52	2.03	3.54	6.08	-	-	13.17 ( 3.20 - 15.00 )	3.40 ( 0.76 - 4.72 )	14.92	99
15+20+35+71	1.40	1.87	3.28	6.65	-	-	13.20 ( 3.20 - 15.00 )	3.39 ( 0.76 - 4.72 )	14.88	99
15+20+42+42	1.63	2.18	4.58	4.58	-	-	12.97 ( 3.20 - 15.00 )	3.29 ( 0.76 - 4.72 )	14.44	99
15+20+42+50	1.56	2.08	4.37	5.20	-	-	13.21 ( 3.20 - 15.00 )	3.39 ( 0.76 - 4.72 )	14.88	99
15+20+42+60	1.45	1.93	4.05	5.78	-	-	13.21 ( 3.20 - 15.00 )	3.37 ( 0.76 - 4.72 )	14.80	99
15+20+42+71	1.34	1.78	3.75	6.33	-	-	13.20 ( 3.20 - 15.10 )	3.32 ( 0.76 - 4.50 )	14.56	99
15+20+50+50	1.47	1.96	4.89	4.89	-	-	13.21 ( 3.20 - 15.10 )	3.29 ( 0.76 - 4.50 )	14.45	99
15+20+50+60	1.37	1.82	4.55	5.46	-	-	13.20 ( 3.20 - 15.10 )	3.27 ( 0.76 - 4.50 )	14.36	99
15+20+50+71	1.27	1.69	4.23	6.01	-	-	13.20 ( 3.20 - 15.10 )	3.24 ( 0.76 - 4.50 )	14.24	99
15+20+60+60	1.28	1.70	5.11	5.11	-	-	13.20 ( 3.20 - 15.10 )	3.24 ( 0.76 - 4.50 )	14.24	99
15+20+60+71	1.19	1.59	4.77	5.65	-	-	13.20 ( 3.20 - 15.10 )	3.24 ( 0.76 - 4.50 )	14.24	99
15+20+71+71	1.12	1.49	5.29	5.29	-	-	13.19 ( 3.20 - 15.10 )	3.24 ( 0.76 - 4.50 )	14.24	99
15+22+22+22	2.15	3.15	3.15	3.15	-	-	11.60 ( 3.20 - 14.70 )	2.60 ( 0.76 - 4.12 )	11.43	99
15+22+22+25	2.13	3.12	3.12	3.54	-	-	11.91 ( 3.20 - 14.80 )	2.73 ( 0.76 - 4.18 )	11.99	99
15+22+22+35	1.95	2.86	2.86	4.54	-	-	12.21 ( 3.20 - 14.90 )	2.87 ( 0.76 - 4.25 )	12.62	99
15+22+22+42	1.87	2.74	2.74	5.24	-	-	12.59 ( 3.20 - 15.00 )	3.09 ( 0.76 - 4.72 )	13.57	99
15+22+22+50	1.80	2.64	2.64	6.01	-	-	13.09 ( 3.20 - 15.00 )	3.36 ( 0.76 - 4.72 )	14.76	99
15+22+22+60	1.66	2.44	2.44	6.66	-	-	13.20 ( 3.20 - 15.00 )	3.41 ( 0.76 - 4.72 )	14.96	99
15+22+22+71	1.52	2.23	2.23	7.21	-	-	13.19 ( 3.20 - 15.00 )	3.38 ( 0.76 - 4.72 )	14.85	99
15+22+25+25	2.10	3.09	3.51	3.51	-	-	12.21 ( 3.20 - 14.90 )	2.87 ( 0.76 - 4.25 )	12.62	99
15+22+25+35	1.90	2.79	3.17	4.44	-	-	12.30 ( 3.20 - 14.90 )	2.93 ( 0.76 - 4.25 )	12.86	99
15+22+25+42	1.83	2.69	3.05	5.13	-	-	12.70 ( 3.20 - 15.00 )	3.14 ( 0.76 - 4.72 )	13.81	99
15+22+25+50	1.76	2.59	2.94	5.88	-	-	13.17 ( 3.20 - 15.00 )	3.40 ( 0.76 - 4.72 )	14.92	99
15+22+25+60	1.62	2.38	2.70	6.49	-	-	13.19 ( 3.20 - 15.00 )	3.39 ( 0.76 - 4.72 )	14.88	99
15+22+25+71	1.49	2.18	2.48	7.05	-	-	13.20 ( 3.20 - 15.00 )	3.38 ( 0.76 - 4.72 )	14.84	99
15+22+35+35	1.74	2.55	4.06	4.06	-	-	12.41 ( 3.20 - 14.90 )	2.98 ( 0.76 - 4.25 )	13.10	99
15+22+35+42	1.68	2.47	3.93	4.72	-	-	12.80 ( 3.20 - 15.00 )	3.20 ( 0.76 - 4.72 )	14.05	99
15+22+35+50	1.62	2.38	3.79	5.41	-	-	13.20 ( 3.20 - 15.00 )	3.41 ( 0.76 - 4.72 )	14.96	99
15+22+35+60	1.50	2.20	3.50	6.00	-	-	13.20 ( 3.20 - 15.00 )	3.38 ( 0.76 - 4.72 )	14.85	99

# MXZ-6D122VA HEATING

Indoor units combination	Heating Capacity (kW)							Outdoor unit power consumption (kW)	Current (A)	Power factor (%)
	Unit A	Unit B	Unit C	Unit D	Unit E	Unit F	Total			
15+22+35+71	1.38	2.03	3.23	6.55	-	-	13.19 ( 3.20 - 15.00 )	3.34 ( 0.76 - 4.72 )	14.67	99
15+22+42+42	1.63	2.39	4.57	4.57	-	-	13.16 ( 3.20 - 15.00 )	3.40 ( 0.76 - 4.72 )	14.92	99
15+22+42+50	1.53	2.25	4.30	5.12	-	-	13.20 ( 3.20 - 15.00 )	3.34 ( 0.76 - 4.72 )	14.67	99
15+22+42+60	1.42	2.09	3.99	5.70	-	-	13.20 ( 3.20 - 15.10 )	3.29 ( 0.76 - 4.50 )	14.45	99
15+22+42+71	1.32	1.94	3.70	6.25	-	-	13.21 ( 3.20 - 15.10 )	3.27 ( 0.76 - 4.50 )	14.36	99
15+22+50+50	1.45	2.12	4.82	4.82	-	-	13.21 ( 3.20 - 15.10 )	3.25 ( 0.76 - 4.50 )	14.28	99
15+22+50+60	1.35	1.98	4.49	5.39	-	-	13.21 ( 3.20 - 15.10 )	3.24 ( 0.76 - 4.50 )	14.24	99
15+22+50+71	1.25	1.84	4.18	5.93	-	-	13.20 ( 3.20 - 15.10 )	3.24 ( 0.76 - 4.50 )	14.24	99
15+22+60+60	1.26	1.85	5.04	5.04	-	-	13.19 ( 3.20 - 15.10 )	3.24 ( 0.76 - 4.50 )	14.24	99
15+22+60+71	1.18	1.73	4.71	5.58	-	-	13.20 ( 3.20 - 15.10 )	3.24 ( 0.76 - 4.50 )	14.24	99
15+22+71+71	1.11	1.62	5.24	5.24	-	-	13.21 ( 3.20 - 15.10 )	3.24 ( 0.76 - 4.50 )	14.24	99
15+25+25+25	2.03	3.39	3.39	3.39	-	-	12.20 ( 3.20 - 14.90 )	2.87 ( 0.76 - 4.25 )	12.62	99
15+25+25+35	1.86	3.10	3.10	4.34	-	-	12.40 ( 3.20 - 14.90 )	2.98 ( 0.76 - 4.25 )	13.10	99
15+25+25+42	1.79	2.99	2.99	5.02	-	-	12.79 ( 3.20 - 15.00 )	3.20 ( 0.76 - 4.72 )	14.05	99
15+25+25+50	1.72	2.87	2.87	5.74	-	-	13.20 ( 3.20 - 15.00 )	3.41 ( 0.76 - 4.72 )	14.96	99
15+25+25+60	1.58	2.64	2.64	6.34	-	-	13.20 ( 3.20 - 15.00 )	3.38 ( 0.76 - 4.72 )	14.86	99
15+25+25+71	1.46	2.43	2.43	6.89	-	-	13.21 ( 3.20 - 15.00 )	3.35 ( 0.76 - 4.72 )	14.69	99
15+25+35+35	1.70	2.84	3.98	3.98	-	-	12.50 ( 3.20 - 14.90 )	3.04 ( 0.76 - 4.25 )	13.33	99
15+25+35+42	1.66	2.77	3.88	4.65	-	-	12.96 ( 3.20 - 15.00 )	3.29 ( 0.76 - 4.72 )	14.44	99
15+25+35+50	1.58	2.64	3.70	5.28	-	-	13.20 ( 3.20 - 15.00 )	3.39 ( 0.76 - 4.72 )	14.88	99
15+25+35+60	1.47	2.44	3.42	5.87	-	-	13.20 ( 3.20 - 15.00 )	3.37 ( 0.76 - 4.72 )	14.80	99
15+25+35+71	1.36	2.26	3.16	6.42	-	-	13.20 ( 3.20 - 15.10 )	3.32 ( 0.76 - 4.50 )	14.56	99
15+25+42+42	1.60	2.66	4.47	4.47	-	-	13.20 ( 3.20 - 15.00 )	3.41 ( 0.76 - 4.72 )	14.96	99
15+25+42+50	1.50	2.50	4.20	5.00	-	-	13.20 ( 3.20 - 15.10 )	3.32 ( 0.76 - 4.50 )	14.56	99
15+25+42+60	1.39	2.32	3.90	5.58	-	-	13.19 ( 3.20 - 15.10 )	3.28 ( 0.76 - 4.50 )	14.40	99
15+25+42+71	1.29	2.16	3.62	6.13	-	-	13.20 ( 3.20 - 15.10 )	3.25 ( 0.76 - 4.50 )	14.28	99
15+25+50+50	1.41	2.36	4.71	4.71	-	-	13.19 ( 3.20 - 15.10 )	3.24 ( 0.76 - 4.50 )	14.24	99
15+25+50+60	1.32	2.20	4.40	5.28	-	-	13.20 ( 3.20 - 15.10 )	3.24 ( 0.76 - 4.50 )	14.24	99
15+25+50+71	1.23	2.05	4.10	5.82	-	-	13.20 ( 3.20 - 15.10 )	3.24 ( 0.76 - 4.50 )	14.24	99
15+25+60+60	1.24	2.06	4.95	4.95	-	-	13.20 ( 3.20 - 15.10 )	3.24 ( 0.76 - 4.50 )	14.24	99
15+25+60+71	1.16	1.93	4.63	5.48	-	-	13.20 ( 3.20 - 15.10 )	3.24 ( 0.76 - 4.50 )	14.24	99
15+35+35+35	1.58	3.68	3.68	3.68	-	-	12.62 ( 3.20 - 14.90 )	3.09 ( 0.76 - 4.25 )	13.57	99
15+35+35+42	1.54	3.58	3.58	4.30	-	-	13.00 ( 3.20 - 15.00 )	3.31 ( 0.76 - 4.72 )	14.52	99
15+35+35+50	1.47	3.42	3.42	4.89	-	-	13.20 ( 3.20 - 15.00 )	3.38 ( 0.76 - 4.72 )	14.85	99
15+35+35+60	1.37	3.19	3.19	5.46	-	-	13.21 ( 3.20 - 15.00 )	3.34 ( 0.76 - 4.72 )	14.67	99
15+35+35+71	1.27	2.96	2.96	6.01	-	-	13.20 ( 3.20 - 15.10 )	3.30 ( 0.76 - 4.50 )	14.48	99

# MXZ-6D122VA HEATING

Indoor units combination	Heating Capacity (kW)							Outdoor unit power consumption (kW)	Current (A)	Power factor (%)
	Unit A	Unit B	Unit C	Unit D	Unit E	Unit F	Total			
15+35+42+42	1.48	3.45	4.14	4.14	-	-	13.21 ( 3.20 - 15.00 )	3.39 ( 0.76 - 4.72 )	14.88	99
15+35+42+50	1.39	3.25	3.90	4.65	-	-	13.19 ( 3.20 - 15.10 )	3.29 ( 0.76 - 4.50 )	14.45	99
15+35+42+60	1.30	3.04	3.65	5.21	-	-	13.20 ( 3.20 - 15.10 )	3.27 ( 0.76 - 4.50 )	14.36	99
15+35+42+71	1.21	2.83	3.40	5.75	-	-	13.19 ( 3.20 - 15.10 )	3.24 ( 0.76 - 4.50 )	14.24	99
15+35+50+50	1.32	3.08	4.40	4.40	-	-	13.20 ( 3.20 - 15.10 )	3.24 ( 0.76 - 4.50 )	14.24	99
15+35+50+60	1.24	2.89	4.13	4.95	-	-	13.21 ( 3.20 - 15.10 )	3.24 ( 0.76 - 4.50 )	14.24	99
15+35+50+71	1.16	2.70	3.86	5.48	-	-	13.20 ( 3.20 - 15.10 )	3.24 ( 0.76 - 4.50 )	14.24	99
15+35+60+60	1.16	2.72	4.66	4.66	-	-	13.20 ( 3.20 - 15.10 )	3.24 ( 0.76 - 4.50 )	14.24	99
15+42+42+42	1.40	3.93	3.93	3.93	-	-	13.19 ( 3.20 - 15.10 )	3.32 ( 0.76 - 4.50 )	14.56	99
15+42+42+50	1.33	3.72	3.72	4.43	-	-	13.20 ( 3.20 - 15.10 )	3.24 ( 0.76 - 4.50 )	14.24	99
15+42+42+60	1.25	3.49	3.49	4.98	-	-	13.21 ( 3.20 - 15.10 )	3.24 ( 0.76 - 4.50 )	14.24	99
15+42+42+71	1.16	3.26	3.26	5.51	-	-	13.19 ( 3.20 - 15.10 )	3.24 ( 0.76 - 4.50 )	14.24	99
15+42+50+50	1.26	3.53	4.20	4.20	-	-	13.19 ( 3.20 - 15.10 )	3.24 ( 0.76 - 4.50 )	14.24	99
15+42+50+60	1.19	3.32	3.95	4.74	-	-	13.20 ( 3.20 - 15.10 )	3.24 ( 0.76 - 4.50 )	14.24	99
15+42+50+71	1.11	3.11	3.71	5.27	-	-	13.20 ( 3.20 - 15.10 )	3.24 ( 0.76 - 4.50 )	14.24	99
15+42+60+60	1.12	3.13	4.47	4.47	-	-	13.19 ( 3.20 - 15.10 )	3.24 ( 0.76 - 4.50 )	14.24	99
15+50+50+50	1.20	4.00	4.00	4.00	-	-	13.20 ( 3.20 - 15.10 )	3.24 ( 0.76 - 4.50 )	14.24	99
15+50+50+60	1.13	3.77	3.77	4.53	-	-	13.20 ( 3.20 - 15.10 )	3.24 ( 0.76 - 4.50 )	14.24	99
18+18+18+18	3.13	3.13	3.13	3.13	-	-	12.52 ( 3.20 - 14.90 )	3.04 ( 0.76 - 4.25 )	13.33	99
18+18+18+20	2.92	2.92	2.92	3.24	-	-	12.00 ( 3.20 - 14.90 )	2.77 ( 0.76 - 4.25 )	12.15	99
18+18+18+22	2.96	2.96	2.96	3.62	-	-	12.50 ( 3.20 - 14.90 )	3.04 ( 0.76 - 4.25 )	13.33	99
18+18+18+25	2.87	2.87	2.87	3.99	-	-	12.60 ( 3.20 - 14.90 )	3.09 ( 0.76 - 4.25 )	13.57	99
18+18+18+35	2.57	2.57	2.57	4.99	-	-	12.70 ( 3.20 - 15.00 )	3.14 ( 0.76 - 4.72 )	13.81	99
18+18+18+42	2.44	2.44	2.44	5.69	-	-	13.01 ( 3.20 - 15.00 )	3.31 ( 0.76 - 4.72 )	14.52	99
18+18+18+50	2.28	2.28	2.28	6.35	-	-	13.19 ( 3.20 - 15.00 )	3.38 ( 0.76 - 4.72 )	14.84	99
18+18+18+60	2.08	2.08	2.08	6.95	-	-	13.19 ( 3.20 - 15.00 )	3.33 ( 0.76 - 4.72 )	14.64	99
18+18+18+71	1.90	1.90	1.90	7.50	-	-	13.20 ( 3.20 - 15.10 )	3.28 ( 0.76 - 4.50 )	14.42	99
18+18+20+20	2.61	2.61	2.89	2.89	-	-	11.00 ( 3.20 - 14.40 )	2.45 ( 0.77 - 4.10 )	10.75	99
18+18+20+22	2.79	2.79	3.10	3.41	-	-	12.09 ( 3.20 - 14.90 )	2.82 ( 0.76 - 4.25 )	12.38	99
18+18+20+25	2.71	2.71	3.01	3.77	-	-	12.20 ( 3.20 - 14.90 )	2.87 ( 0.76 - 4.25 )	12.62	99
18+18+20+35	2.43	2.43	2.70	4.73	-	-	12.29 ( 3.20 - 14.90 )	2.93 ( 0.76 - 4.25 )	12.86	99
18+18+20+42	2.35	2.35	2.61	5.49	-	-	12.80 ( 3.20 - 15.00 )	3.20 ( 0.76 - 4.72 )	14.05	99
18+18+20+50	2.24	2.24	2.49	6.23	-	-	13.20 ( 3.20 - 15.00 )	3.41 ( 0.76 - 4.72 )	14.96	99
18+18+20+60	2.05	2.05	2.28	6.83	-	-	13.21 ( 3.20 - 15.00 )	3.39 ( 0.76 - 4.72 )	14.87	99
18+18+20+71	1.87	1.87	2.08	7.38	-	-	13.20 ( 3.20 - 15.00 )	3.35 ( 0.76 - 4.72 )	14.72	99
18+18+22+22	2.81	2.81	3.44	3.44	-	-	12.50 ( 3.20 - 14.90 )	3.04 ( 0.76 - 4.25 )	13.33	99

# MXZ-6D12VA HEATING

Indoor units combination	Heating Capacity (kW)							Outdoor unit power consumption (kW)	Current (A)	Power factor (%)
	Unit A	Unit B	Unit C	Unit D	Unit E	Unit F	Total			
18+18+22+25	2.73	2.73	3.34	3.80	-	-	12.60 ( 3.20 - 14.90 )	3.09 ( 0.76 - 4.25 )	13.57	99
18+18+22+35	2.46	2.46	3.00	4.78	-	-	12.70 ( 3.20 - 15.00 )	3.14 ( 0.76 - 4.72 )	13.81	99
18+18+22+42	2.34	2.34	2.86	5.46	-	-	13.00 ( 3.20 - 15.00 )	3.31 ( 0.76 - 4.72 )	14.52	99
18+18+22+50	2.20	2.20	2.69	6.11	-	-	13.20 ( 3.20 - 15.00 )	3.38 ( 0.76 - 4.72 )	14.84	99
18+18+22+60	2.01	2.01	2.46	6.71	-	-	13.19 ( 3.20 - 15.00 )	3.33 ( 0.76 - 4.72 )	14.64	99
18+18+22+71	1.84	1.84	2.25	7.27	-	-	13.20 ( 3.20 - 15.10 )	3.28 ( 0.76 - 4.50 )	14.42	99
18+18+25+25	2.64	2.64	3.66	3.66	-	-	12.60 ( 3.20 - 15.00 )	3.09 ( 0.76 - 4.72 )	13.57	99
18+18+25+35	2.38	2.38	3.31	4.63	-	-	12.70 ( 3.20 - 15.00 )	3.14 ( 0.76 - 4.72 )	13.81	99
18+18+25+42	2.29	2.29	3.18	5.34	-	-	13.10 ( 3.20 - 15.00 )	3.36 ( 0.76 - 4.72 )	14.76	99
18+18+25+50	2.14	2.14	2.97	5.95	-	-	13.20 ( 3.20 - 15.00 )	3.35 ( 0.76 - 4.72 )	14.72	99
18+18+25+60	1.96	1.96	2.73	6.55	-	-	13.20 ( 3.20 - 15.10 )	3.30 ( 0.76 - 4.50 )	14.48	99
18+18+25+71	1.80	1.80	2.50	7.10	-	-	13.20 ( 3.20 - 15.10 )	3.27 ( 0.76 - 4.50 )	14.38	99
18+18+35+35	2.19	2.19	4.26	4.26	-	-	12.90 ( 3.20 - 15.00 )	3.25 ( 0.76 - 4.72 )	14.28	99
18+18+35+42	2.10	2.10	4.09	4.91	-	-	13.20 ( 3.20 - 15.00 )	3.41 ( 0.76 - 4.72 )	14.96	99
18+18+35+50	1.96	1.96	3.82	5.45	-	-	13.19 ( 3.20 - 15.10 )	3.32 ( 0.76 - 4.50 )	14.60	99
18+18+35+60	1.81	1.81	3.53	6.05	-	-	13.20 ( 3.20 - 15.10 )	3.28 ( 0.76 - 4.50 )	14.42	99
18+18+35+71	1.67	1.67	3.25	6.60	-	-	13.19 ( 3.20 - 15.10 )	3.27 ( 0.76 - 4.50 )	14.36	99
18+18+42+42	1.98	1.98	4.62	4.62	-	-	13.20 ( 3.20 - 15.00 )	3.35 ( 0.76 - 4.72 )	14.72	99
18+18+42+50	1.86	1.86	4.33	5.16	-	-	13.21 ( 3.20 - 15.10 )	3.27 ( 0.76 - 4.50 )	14.36	99
18+18+42+60	1.72	1.72	4.02	5.74	-	-	13.20 ( 3.20 - 15.10 )	3.24 ( 0.76 - 4.50 )	14.24	99
18+18+42+71	1.59	1.59	3.72	6.29	-	-	13.19 ( 3.20 - 15.10 )	3.24 ( 0.76 - 4.50 )	14.24	99
18+18+50+50	1.75	1.75	4.85	4.85	-	-	13.20 ( 3.20 - 15.10 )	3.24 ( 0.76 - 4.50 )	14.24	99
18+18+50+60	1.63	1.63	4.52	5.42	-	-	13.20 ( 3.20 - 15.10 )	3.24 ( 0.76 - 4.50 )	14.24	99
18+18+50+71	1.51	1.51	4.20	5.97	-	-	13.19 ( 3.20 - 15.10 )	3.24 ( 0.76 - 4.50 )	14.24	99
18+18+60+60	1.52	1.52	5.08	5.08	-	-	13.20 ( 3.20 - 15.10 )	3.24 ( 0.76 - 4.50 )	14.24	99
18+18+60+71	1.42	1.42	4.74	5.61	-	-	13.19 ( 3.20 - 15.10 )	3.24 ( 0.76 - 4.50 )	14.24	99
18+18+71+71	1.33	1.33	5.27	5.27	-	-	13.20 ( 3.20 - 15.10 )	3.24 ( 0.76 - 4.50 )	14.24	99
18+20+20+20	2.28	2.54	2.54	2.54	-	-	9.90 ( 3.20 - 13.80 )	2.23 ( 0.79 - 4.21 )	9.80	99
18+20+20+22	2.48	2.75	2.75	3.03	-	-	11.01 ( 3.20 - 14.40 )	2.45 ( 0.77 - 4.10 )	10.75	99
18+20+20+25	2.45	2.72	2.72	3.40	-	-	11.29 ( 3.20 - 14.60 )	2.50 ( 0.76 - 4.07 )	11.00	99
18+20+20+35	2.26	2.52	2.52	4.40	-	-	11.70 ( 3.20 - 14.80 )	2.65 ( 0.76 - 4.18 )	11.63	99
18+20+20+42	2.25	2.50	2.50	5.25	-	-	12.50 ( 3.20 - 14.90 )	3.04 ( 0.76 - 4.25 )	13.33	99
18+20+20+50	2.17	2.41	2.41	6.02	-	-	13.01 ( 3.20 - 15.00 )	3.31 ( 0.76 - 4.72 )	14.52	99
18+20+20+60	2.00	2.22	2.22	6.66	-	-	13.10 ( 3.20 - 15.00 )	3.36 ( 0.76 - 4.72 )	14.76	99
18+20+20+71	1.84	2.05	2.05	7.27	-	-	13.21 ( 3.20 - 15.00 )	3.39 ( 0.76 - 4.72 )	14.88	99
18+20+22+22	2.66	2.95	3.25	3.25	-	-	12.11 ( 3.20 - 14.90 )	2.82 ( 0.76 - 4.25 )	12.38	99

# MXZ-6D122VA HEATING

Indoor units combination	Heating Capacity (kW)							Outdoor unit power consumption (kW)	Current (A)	Power factor (%)
	Unit A	Unit B	Unit C	Unit D	Unit E	Unit F	Total			
18+20+22+25	2.58	2.87	3.16	3.59	-	-	12.20 ( 3.20 - 14.90 )	2.87 ( 0.76 - 4.25 )	12.62	99
18+20+22+35	2.33	2.59	2.85	4.53	-	-	12.30 ( 3.20 - 14.90 )	2.93 ( 0.76 - 4.25 )	12.86	99
18+20+22+42	2.26	2.51	2.76	5.27	-	-	12.80 ( 3.20 - 15.00 )	3.20 ( 0.76 - 4.72 )	14.05	99
18+20+22+50	2.16	2.40	2.64	6.00	-	-	13.20 ( 3.20 - 15.00 )	3.41 ( 0.76 - 4.72 )	14.96	99
18+20+22+60	1.98	2.20	2.42	6.60	-	-	13.20 ( 3.20 - 15.00 )	3.39 ( 0.76 - 4.72 )	14.87	99
18+20+22+71	1.81	2.02	2.22	7.15	-	-	13.20 ( 3.20 - 15.00 )	3.35 ( 0.76 - 4.72 )	14.72	99
18+20+25+25	2.52	2.80	3.49	3.49	-	-	12.30 ( 3.20 - 14.90 )	2.93 ( 0.76 - 4.25 )	12.86	99
18+20+25+35	2.30	2.55	3.19	4.46	-	-	12.50 ( 3.20 - 14.90 )	3.04 ( 0.76 - 4.25 )	13.33	99
18+20+25+42	2.21	2.46	3.07	5.16	-	-	12.90 ( 3.20 - 15.00 )	3.25 ( 0.76 - 4.72 )	14.28	99
18+20+25+50	2.10	2.34	2.92	5.84	-	-	13.20 ( 3.20 - 15.00 )	3.39 ( 0.76 - 4.72 )	14.88	99
18+20+25+60	1.93	2.15	2.68	6.44	-	-	13.20 ( 3.20 - 15.00 )	3.38 ( 0.76 - 4.72 )	14.84	99
18+20+25+71	1.77	1.97	2.46	6.99	-	-	13.19 ( 3.20 - 15.00 )	3.34 ( 0.76 - 4.72 )	14.67	99
18+20+35+35	2.10	2.33	4.08	4.08	-	-	12.59 ( 3.20 - 14.90 )	3.09 ( 0.76 - 4.25 )	13.57	99
18+20+35+42	2.03	2.26	3.96	4.75	-	-	13.00 ( 3.20 - 15.00 )	3.31 ( 0.76 - 4.72 )	14.52	99
18+20+35+50	1.93	2.15	3.76	5.37	-	-	13.21 ( 3.20 - 15.00 )	3.39 ( 0.76 - 4.72 )	14.88	99
18+20+35+60	1.79	1.98	3.47	5.95	-	-	13.19 ( 3.20 - 15.00 )	3.35 ( 0.76 - 4.72 )	14.72	99
18+20+35+71	1.65	1.83	3.21	6.51	-	-	13.20 ( 3.20 - 15.10 )	3.30 ( 0.76 - 4.50 )	14.48	99
18+20+42+42	1.95	2.16	4.54	4.54	-	-	13.19 ( 3.20 - 15.00 )	3.39 ( 0.76 - 4.72 )	14.88	99
18+20+42+50	1.83	2.03	4.26	5.08	-	-	13.20 ( 3.20 - 15.10 )	3.30 ( 0.76 - 4.50 )	14.48	99
18+20+42+60	1.70	1.89	3.96	5.66	-	-	13.21 ( 3.20 - 15.10 )	3.27 ( 0.76 - 4.50 )	14.36	99
18+20+42+71	1.57	1.75	3.67	6.21	-	-	13.20 ( 3.20 - 15.10 )	3.24 ( 0.76 - 4.50 )	14.24	99
18+20+50+50	1.72	1.91	4.78	4.78	-	-	13.19 ( 3.20 - 15.10 )	3.24 ( 0.76 - 4.50 )	14.24	99
18+20+50+60	1.61	1.78	4.46	5.35	-	-	13.20 ( 3.20 - 15.10 )	3.24 ( 0.76 - 4.50 )	14.24	99
18+20+50+71	1.49	1.66	4.15	5.89	-	-	13.19 ( 3.20 - 15.10 )	3.24 ( 0.76 - 4.50 )	14.24	99
18+20+60+60	1.50	1.67	5.01	5.01	-	-	13.19 ( 3.20 - 15.10 )	3.24 ( 0.76 - 4.50 )	14.24	99
18+20+60+71	1.41	1.56	4.69	5.55	-	-	13.21 ( 3.20 - 15.10 )	3.24 ( 0.76 - 4.50 )	14.24	99
18+20+71+71	1.32	1.47	5.21	5.21	-	-	13.21 ( 3.20 - 15.10 )	3.24 ( 0.76 - 4.50 )	14.24	99
18+22+22+22	2.68	3.27	3.27	3.27	-	-	12.49 ( 3.20 - 14.90 )	3.04 ( 0.76 - 4.25 )	13.33	99
18+22+22+25	2.61	3.19	3.19	3.62	-	-	12.61 ( 3.20 - 14.90 )	3.09 ( 0.76 - 4.25 )	13.57	99
18+22+22+35	2.36	2.88	2.88	4.58	-	-	12.70 ( 3.20 - 15.00 )	3.14 ( 0.76 - 4.72 )	13.81	99
18+22+22+42	2.25	2.75	2.75	5.25	-	-	13.00 ( 3.20 - 15.00 )	3.31 ( 0.76 - 4.72 )	14.52	99
18+22+22+50	2.12	2.59	2.59	5.89	-	-	13.19 ( 3.20 - 15.00 )	3.38 ( 0.76 - 4.72 )	14.84	99
18+22+22+60	1.95	2.38	2.38	6.49	-	-	13.20 ( 3.20 - 15.00 )	3.33 ( 0.76 - 4.72 )	14.64	99
18+22+22+71	1.79	2.18	2.18	7.05	-	-	13.20 ( 3.20 - 15.10 )	3.28 ( 0.76 - 4.50 )	14.42	99
18+22+25+25	2.52	3.08	3.50	3.50	-	-	12.60 ( 3.20 - 15.00 )	3.09 ( 0.76 - 4.72 )	13.57	99
18+22+25+35	2.29	2.79	3.18	4.45	-	-	12.71 ( 3.20 - 15.00 )	3.14 ( 0.76 - 4.72 )	13.81	99



# MXZ-6D122VA HEATING

Indoor units combination	Heating Capacity (kW)							Outdoor unit power consumption (kW)	Current (A)	Power factor (%)
	Unit A	Unit B	Unit C	Unit D	Unit E	Unit F	Total			
18+22+25+42	2.20	2.69	3.06	5.14	-	-	13.09 ( 3.20 - 15.00 )	3.36 ( 0.76 - 4.72 )	14.76	99
18+22+25+50	2.07	2.53	2.87	5.74	-	-	13.21 ( 3.20 - 15.00 )	3.35 ( 0.76 - 4.72 )	14.72	99
18+22+25+60	1.90	2.32	2.64	6.34	-	-	13.20 ( 3.20 - 15.10 )	3.30 ( 0.76 - 4.50 )	14.48	99
18+22+25+71	1.75	2.14	2.43	6.89	-	-	13.21 ( 3.20 - 15.10 )	3.27 ( 0.76 - 4.50 )	14.38	99
18+22+35+35	2.11	2.58	4.10	4.10	-	-	12.89 ( 3.20 - 15.00 )	3.25 ( 0.76 - 4.72 )	14.28	99
18+22+35+42	2.03	2.48	3.95	4.74	-	-	13.20 ( 3.20 - 15.00 )	3.41 ( 0.76 - 4.72 )	14.96	99
18+22+35+50	1.90	2.32	3.70	5.28	-	-	13.20 ( 3.20 - 15.10 )	3.32 ( 0.76 - 4.50 )	14.60	99
18+22+35+60	1.76	2.15	3.42	5.87	-	-	13.20 ( 3.20 - 15.10 )	3.28 ( 0.76 - 4.50 )	14.42	99
18+22+35+71	1.63	1.99	3.16	6.42	-	-	13.20 ( 3.20 - 15.10 )	3.27 ( 0.76 - 4.50 )	14.36	99
18+22+42+42	1.92	2.34	4.47	4.47	-	-	13.20 ( 3.20 - 15.00 )	3.35 ( 0.76 - 4.72 )	14.72	99
18+22+42+50	1.80	2.20	4.20	5.00	-	-	13.20 ( 3.20 - 15.10 )	3.27 ( 0.76 - 4.50 )	14.36	99
18+22+42+60	1.67	2.05	3.90	5.58	-	-	13.20 ( 3.20 - 15.10 )	3.24 ( 0.76 - 4.50 )	14.24	99
18+22+42+71	1.55	1.90	3.62	6.13	-	-	13.20 ( 3.20 - 15.10 )	3.24 ( 0.76 - 4.50 )	14.24	99
18+22+50+50	1.70	2.07	4.71	4.71	-	-	13.19 ( 3.20 - 15.10 )	3.24 ( 0.76 - 4.50 )	14.24	99
18+22+50+60	1.58	1.94	4.40	5.28	-	-	13.20 ( 3.20 - 15.10 )	3.24 ( 0.76 - 4.50 )	14.24	99
18+22+50+71	1.48	1.80	4.10	5.82	-	-	13.20 ( 3.20 - 15.10 )	3.24 ( 0.76 - 4.50 )	14.24	99
18+22+60+60	1.49	1.82	4.95	4.95	-	-	13.21 ( 3.20 - 15.10 )	3.24 ( 0.76 - 4.50 )	14.24	99
18+22+60+71	1.39	1.70	4.63	5.48	-	-	13.20 ( 3.20 - 15.10 )	3.24 ( 0.76 - 4.50 )	14.24	99
18+25+25+25	2.46	3.41	3.41	3.41	-	-	12.69 ( 3.20 - 15.00 )	3.14 ( 0.76 - 4.72 )	13.81	99
18+25+25+35	2.25	3.13	3.13	4.38	-	-	12.89 ( 3.20 - 15.00 )	3.25 ( 0.76 - 4.72 )	14.28	99
18+25+25+42	2.16	3.00	3.00	5.04	-	-	13.20 ( 3.20 - 15.00 )	3.41 ( 0.76 - 4.72 )	15.00	99
18+25+25+50	2.01	2.80	2.80	5.59	-	-	13.20 ( 3.20 - 15.00 )	3.34 ( 0.76 - 4.72 )	14.67	99
18+25+25+60	1.86	2.58	2.58	6.19	-	-	13.21 ( 3.20 - 15.10 )	3.29 ( 0.76 - 4.50 )	14.44	99
18+25+25+71	1.71	2.37	2.37	6.74	-	-	13.19 ( 3.20 - 15.10 )	3.27 ( 0.76 - 4.50 )	14.36	99
18+25+35+35	2.07	2.88	4.03	4.03	-	-	13.01 ( 3.20 - 15.00 )	3.31 ( 0.76 - 4.72 )	14.52	99
18+25+35+42	1.98	2.75	3.85	4.62	-	-	13.20 ( 3.20 - 15.00 )	3.39 ( 0.76 - 4.72 )	14.88	99
18+25+35+50	1.86	2.58	3.61	5.16	-	-	13.21 ( 3.20 - 15.10 )	3.30 ( 0.76 - 4.50 )	14.48	99
18+25+35+60	1.72	2.39	3.35	5.74	-	-	13.20 ( 3.20 - 15.10 )	3.27 ( 0.76 - 4.50 )	14.36	99
18+25+35+71	1.59	2.21	3.10	6.29	-	-	13.19 ( 3.20 - 15.10 )	3.24 ( 0.76 - 4.50 )	14.24	99
18+25+42+42	1.87	2.60	4.37	4.37	-	-	13.21 ( 3.20 - 15.00 )	3.33 ( 0.76 - 4.72 )	14.64	99
18+25+42+50	1.76	2.44	4.11	4.89	-	-	13.20 ( 3.20 - 15.10 )	3.24 ( 0.76 - 4.50 )	14.24	99
18+25+42+60	1.64	2.28	3.82	5.46	-	-	13.20 ( 3.20 - 15.10 )	3.24 ( 0.76 - 4.50 )	14.24	99
18+25+42+71	1.52	2.12	3.55	6.01	-	-	13.20 ( 3.20 - 15.10 )	3.24 ( 0.76 - 4.50 )	14.24	99
18+25+50+50	1.66	2.31	4.62	4.62	-	-	13.21 ( 3.20 - 15.10 )	3.24 ( 0.76 - 4.50 )	14.24	99
18+25+50+60	1.55	2.16	4.31	5.18	-	-	13.20 ( 3.20 - 15.10 )	3.24 ( 0.76 - 4.50 )	14.24	99
18+25+50+71	1.45	2.01	4.02	5.71	-	-	13.19 ( 3.20 - 15.10 )	3.24 ( 0.76 - 4.50 )	14.24	99

# MXZ-6D122VA HEATING

Indoor units combination	Heating Capacity (kW)							Outdoor unit power consumption (kW)	Current (A)	Power factor (%)
	Unit A	Unit B	Unit C	Unit D	Unit E	Unit F	Total			
18+25+60+60	1.46	2.02	4.86	4.86	-	-	13.20 ( 3.20 - 15.10 )	3.24 ( 0.76 - 4.50 )	14.24	99
18+25+60+71	1.37	1.90	4.55	5.39	-	-	13.21 ( 3.20 - 15.10 )	3.24 ( 0.76 - 4.50 )	14.24	99
18+35+35+35	1.92	3.73	3.73	3.73	-	-	13.11 ( 3.20 - 15.00 )	3.36 ( 0.76 - 4.72 )	14.76	99
18+35+35+42	1.83	3.55	3.55	4.26	-	-	13.19 ( 3.20 - 15.00 )	3.39 ( 0.76 - 4.72 )	14.87	99
18+35+35+50	1.72	3.35	3.35	4.78	-	-	13.20 ( 3.20 - 15.10 )	3.28 ( 0.76 - 4.50 )	14.42	99
18+35+35+60	1.61	3.12	3.12	5.35	-	-	13.20 ( 3.20 - 15.10 )	3.25 ( 0.76 - 4.50 )	14.28	99
18+35+35+71	1.49	2.91	2.91	5.89	-	-	13.20 ( 3.20 - 15.10 )	3.24 ( 0.76 - 4.50 )	14.24	99
18+35+42+42	1.73	3.37	4.05	4.05	-	-	13.20 ( 3.20 - 15.10 )	3.30 ( 0.76 - 4.50 )	14.48	99
18+35+42+50	1.64	3.19	3.82	4.55	-	-	13.20 ( 3.20 - 15.10 )	3.24 ( 0.76 - 4.50 )	14.24	99
18+35+42+60	1.53	2.98	3.58	5.11	-	-	13.20 ( 3.20 - 15.10 )	3.24 ( 0.76 - 4.50 )	14.24	99
18+35+42+71	1.43	2.78	3.34	5.65	-	-	13.20 ( 3.20 - 15.10 )	3.24 ( 0.76 - 4.50 )	14.24	99
18+35+50+50	1.55	3.02	4.31	4.31	-	-	13.19 ( 3.20 - 15.10 )	3.24 ( 0.76 - 4.50 )	14.24	99
18+35+50+60	1.46	2.83	4.05	4.86	-	-	13.20 ( 3.20 - 15.10 )	3.24 ( 0.76 - 4.50 )	14.24	99
18+35+50+71	1.37	2.66	3.79	5.39	-	-	13.21 ( 3.20 - 15.10 )	3.24 ( 0.76 - 4.50 )	14.24	99
18+35+60+60	1.37	2.67	4.58	4.58	-	-	13.20 ( 3.20 - 15.10 )	3.24 ( 0.76 - 4.50 )	14.24	99
18+42+42+42	1.65	3.85	3.85	3.85	-	-	13.20 ( 3.20 - 15.10 )	3.24 ( 0.76 - 4.50 )	14.24	99
18+42+42+50	1.56	3.65	3.65	4.34	-	-	13.20 ( 3.20 - 15.10 )	3.24 ( 0.76 - 4.50 )	14.24	99
18+42+42+60	1.47	3.42	3.42	4.89	-	-	13.20 ( 3.20 - 15.10 )	3.24 ( 0.76 - 4.50 )	14.24	99
18+42+42+71	1.37	3.20	3.20	5.42	-	-	13.19 ( 3.20 - 15.10 )	3.24 ( 0.76 - 4.50 )	14.24	99
18+42+50+50	1.49	3.47	4.13	4.13	-	-	13.22 ( 3.20 - 15.10 )	3.24 ( 0.76 - 4.50 )	14.24	99
18+42+50+60	1.40	3.26	3.88	4.66	-	-	13.20 ( 3.20 - 15.10 )	3.24 ( 0.76 - 4.50 )	14.24	99
18+42+60+60	1.32	3.08	4.40	4.40	-	-	13.20 ( 3.20 - 15.10 )	3.24 ( 0.76 - 4.50 )	14.24	99
18+50+50+50	1.41	3.93	3.93	3.93	-	-	13.20 ( 3.20 - 15.10 )	3.24 ( 0.76 - 4.50 )	14.24	99
18+50+50+60	1.33	3.71	3.71	4.45	-	-	13.20 ( 3.20 - 15.10 )	3.24 ( 0.76 - 4.50 )	14.24	99
20+20+20+20	2.20	2.20	2.20	2.20	-	-	8.80 ( 3.10 - 13.20 )	2.02 ( 0.79 - 4.33 )	8.86	99
20+20+20+22	2.41	2.41	2.41	2.66	-	-	9.89 ( 3.20 - 13.80 )	2.23 ( 0.79 - 4.21 )	9.80	99
20+20+20+25	2.40	2.40	2.40	3.00	-	-	10.20 ( 3.20 - 14.00 )	2.29 ( 0.78 - 4.18 )	10.05	99
20+20+20+35	2.23	2.23	2.23	3.91	-	-	10.60 ( 3.20 - 14.20 )	2.37 ( 0.78 - 4.14 )	10.39	99
20+20+20+42	2.35	2.35	2.35	4.94	-	-	11.99 ( 3.20 - 14.90 )	2.77 ( 0.76 - 4.25 )	12.15	99
20+20+20+50	2.29	2.29	2.29	5.73	-	-	12.60 ( 3.20 - 15.00 )	3.09 ( 0.76 - 4.72 )	13.57	99
20+20+20+60	2.15	2.15	2.15	6.45	-	-	12.90 ( 3.20 - 15.00 )	3.25 ( 0.76 - 4.72 )	14.28	99
20+20+20+71	1.98	1.98	1.98	7.05	-	-	12.99 ( 3.20 - 15.00 )	3.31 ( 0.76 - 4.72 )	14.52	99
20+20+22+22	2.62	2.62	2.88	2.88	-	-	11.00 ( 3.20 - 14.40 )	2.45 ( 0.77 - 4.10 )	10.75	99
20+20+22+25	2.60	2.60	2.86	3.25	-	-	11.31 ( 3.20 - 14.60 )	2.50 ( 0.76 - 4.07 )	11.00	99
20+20+22+35	2.41	2.41	2.65	4.22	-	-	11.69 ( 3.20 - 14.80 )	2.65 ( 0.76 - 4.18 )	11.63	99
20+20+22+42	2.40	2.40	2.64	5.05	-	-	12.49 ( 3.20 - 14.90 )	3.04 ( 0.76 - 4.25 )	13.33	99

# MXZ-6D122VA HEATING

Indoor units combination	Heating Capacity (kW)							Outdoor unit power consumption (kW)	Current (A)	Power factor (%)
	Unit A	Unit B	Unit C	Unit D	Unit E	Unit F	Total			
20+20+22+50	2.32	2.32	2.55	5.80	-	-	12.99 ( 3.20 - 15.00 )	3.31 ( 0.76 - 4.72 )	14.52	99
20+20+22+60	2.15	2.15	2.36	6.44	-	-	13.10 ( 3.20 - 15.00 )	3.36 ( 0.76 - 4.72 )	14.76	99
20+20+22+71	1.98	1.98	2.18	7.05	-	-	13.19 ( 3.20 - 15.00 )	3.39 ( 0.76 - 4.72 )	14.88	99
20+20+25+25	2.56	2.56	3.19	3.19	-	-	11.50 ( 3.20 - 14.60 )	2.57 ( 0.76 - 4.05 )	11.28	99
20+20+25+35	2.40	2.40	3.00	4.20	-	-	12.00 ( 3.20 - 14.90 )	2.77 ( 0.76 - 4.25 )	12.15	99
20+20+25+42	2.36	2.36	2.94	4.95	-	-	12.61 ( 3.20 - 14.90 )	3.09 ( 0.76 - 4.25 )	13.57	99
20+20+25+50	2.26	2.26	2.83	5.65	-	-	13.00 ( 3.20 - 15.00 )	3.31 ( 0.76 - 4.72 )	14.52	99
20+20+25+60	2.11	2.11	2.64	6.34	-	-	13.20 ( 3.20 - 15.00 )	3.41 ( 0.76 - 4.72 )	15.00	99
20+20+25+71	1.94	1.94	2.43	6.89	-	-	13.20 ( 3.20 - 15.00 )	3.39 ( 0.76 - 4.72 )	14.88	99
20+20+35+35	2.22	2.22	3.88	3.88	-	-	12.20 ( 3.20 - 14.90 )	2.87 ( 0.76 - 4.25 )	12.62	99
20+20+35+42	2.15	2.15	3.77	4.52	-	-	12.59 ( 3.20 - 15.00 )	3.09 ( 0.76 - 4.72 )	13.57	99
20+20+35+50	2.10	2.10	3.67	5.24	-	-	13.11 ( 3.20 - 15.00 )	3.36 ( 0.76 - 4.72 )	14.76	99
20+20+35+60	1.96	1.96	3.42	5.87	-	-	13.21 ( 3.20 - 15.00 )	3.39 ( 0.76 - 4.72 )	14.88	99
20+20+35+71	1.81	1.81	3.16	6.42	-	-	13.20 ( 3.20 - 15.00 )	3.38 ( 0.76 - 4.72 )	14.84	99
20+20+42+42	2.10	2.10	4.40	4.40	-	-	13.00 ( 3.20 - 15.00 )	3.31 ( 0.76 - 4.72 )	14.52	99
20+20+42+50	2.00	2.00	4.20	5.00	-	-	13.20 ( 3.20 - 15.00 )	3.38 ( 0.76 - 4.72 )	14.84	99
20+20+42+60	1.86	1.86	3.90	5.58	-	-	13.20 ( 3.20 - 15.00 )	3.33 ( 0.76 - 4.72 )	14.64	99
20+20+42+71	1.73	1.73	3.62	6.13	-	-	13.21 ( 3.20 - 15.10 )	3.29 ( 0.76 - 4.50 )	14.44	99
20+20+50+50	1.89	1.89	4.71	4.71	-	-	13.20 ( 3.20 - 15.10 )	3.27 ( 0.76 - 4.50 )	14.36	99
20+20+50+60	1.76	1.76	4.40	5.28	-	-	13.20 ( 3.20 - 15.10 )	3.24 ( 0.76 - 4.50 )	14.24	99
20+20+50+71	1.64	1.64	4.10	5.82	-	-	13.20 ( 3.20 - 15.10 )	3.24 ( 0.76 - 4.50 )	14.24	99
20+20+60+60	1.65	1.65	4.95	4.95	-	-	13.20 ( 3.20 - 15.10 )	3.24 ( 0.76 - 4.50 )	14.24	99
20+20+60+71	1.54	1.54	4.63	5.48	-	-	13.19 ( 3.20 - 15.10 )	3.24 ( 0.76 - 4.50 )	14.24	99
20+22+22+22	2.81	3.10	3.10	3.10	-	-	12.11 ( 3.20 - 14.90 )	2.82 ( 0.76 - 4.25 )	12.38	99
20+22+22+25	2.74	3.02	3.02	3.43	-	-	12.21 ( 3.20 - 14.90 )	2.87 ( 0.76 - 4.25 )	12.62	99
20+22+22+35	2.48	2.73	2.73	4.35	-	-	12.29 ( 3.20 - 14.90 )	2.93 ( 0.76 - 4.25 )	12.86	99
20+22+22+42	2.42	2.66	2.66	5.07	-	-	12.81 ( 3.20 - 15.00 )	3.20 ( 0.76 - 4.72 )	14.05	99
20+22+22+50	2.32	2.55	2.55	5.79	-	-	13.21 ( 3.20 - 15.00 )	3.41 ( 0.76 - 4.72 )	14.96	99
20+22+22+60	2.13	2.34	2.34	6.39	-	-	13.20 ( 3.20 - 15.00 )	3.39 ( 0.76 - 4.72 )	14.87	99
20+22+22+71	1.96	2.15	2.15	6.94	-	-	13.20 ( 3.20 - 15.00 )	3.35 ( 0.76 - 4.72 )	14.72	99
20+22+25+25	2.67	2.94	3.34	3.34	-	-	12.29 ( 3.20 - 14.90 )	2.93 ( 0.76 - 4.25 )	12.86	99
20+22+25+35	2.45	2.70	3.06	4.29	-	-	12.50 ( 3.20 - 14.90 )	3.04 ( 0.76 - 4.25 )	13.33	99
20+22+25+42	2.37	2.60	2.96	4.97	-	-	12.90 ( 3.20 - 15.00 )	3.25 ( 0.76 - 4.72 )	14.28	99
20+22+25+50	2.26	2.48	2.82	5.64	-	-	13.20 ( 3.20 - 15.00 )	3.39 ( 0.76 - 4.72 )	14.88	99
20+22+25+60	2.08	2.29	2.60	6.24	-	-	13.21 ( 3.20 - 15.00 )	3.38 ( 0.76 - 4.72 )	14.84	99
20+22+25+71	1.91	2.10	2.39	6.79	-	-	13.19 ( 3.20 - 15.00 )	3.34 ( 0.76 - 4.72 )	14.67	99

# MXZ-6D122VA HEATING

Indoor units combination	Heating Capacity (kW)							Outdoor unit power consumption (kW)	Current (A)	Power factor (%)
	Unit A	Unit B	Unit C	Unit D	Unit E	Unit F	Total			
20+22+35+35	2.25	2.48	3.94	3.94	-	-	12.61 ( 3.20 - 14.90 )	3.09 ( 0.76 - 4.25 )	13.57	99
20+22+35+42	2.18	2.40	3.82	4.59	-	-	12.99 ( 3.20 - 15.00 )	3.31 ( 0.76 - 4.72 )	14.52	99
20+22+35+50	2.08	2.29	3.64	5.20	-	-	13.21 ( 3.20 - 15.00 )	3.39 ( 0.76 - 4.72 )	14.88	99
20+22+35+60	1.93	2.12	3.37	5.78	-	-	13.20 ( 3.20 - 15.00 )	3.35 ( 0.76 - 4.72 )	14.72	99
20+22+35+71	1.78	1.96	3.12	6.33	-	-	13.19 ( 3.20 - 15.10 )	3.30 ( 0.76 - 4.50 )	14.48	99
20+22+42+42	2.10	2.30	4.40	4.40	-	-	13.20 ( 3.20 - 15.00 )	3.39 ( 0.76 - 4.72 )	14.88	99
20+22+42+50	1.97	2.17	4.14	4.93	-	-	13.21 ( 3.20 - 15.10 )	3.30 ( 0.76 - 4.50 )	14.48	99
20+22+42+60	1.83	2.02	3.85	5.50	-	-	13.20 ( 3.20 - 15.10 )	3.27 ( 0.76 - 4.50 )	14.36	99
20+22+42+71	1.70	1.87	3.58	6.05	-	-	13.20 ( 3.20 - 15.10 )	3.24 ( 0.76 - 4.50 )	14.24	99
20+22+50+50	1.86	2.05	4.65	4.65	-	-	13.21 ( 3.20 - 15.10 )	3.24 ( 0.76 - 4.50 )	14.24	99
20+22+50+60	1.74	1.91	4.34	5.21	-	-	13.20 ( 3.20 - 15.10 )	3.24 ( 0.76 - 4.50 )	14.24	99
20+22+50+71	1.62	1.78	4.05	5.75	-	-	13.20 ( 3.20 - 15.10 )	3.24 ( 0.76 - 4.50 )	14.24	99
20+22+60+60	1.63	1.79	4.89	4.89	-	-	13.20 ( 3.20 - 15.10 )	3.24 ( 0.76 - 4.50 )	14.24	99
20+22+60+71	1.53	1.68	4.58	5.42	-	-	13.21 ( 3.20 - 15.10 )	3.24 ( 0.76 - 4.50 )	14.24	99
20+25+25+25	2.61	3.26	3.26	3.26	-	-	12.39 ( 3.20 - 14.90 )	2.98 ( 0.76 - 4.25 )	13.10	99
20+25+25+35	2.40	3.00	3.00	4.20	-	-	12.60 ( 3.20 - 14.90 )	3.09 ( 0.76 - 4.25 )	13.57	99
20+25+25+42	2.32	2.90	2.90	4.88	-	-	13.00 ( 3.20 - 15.00 )	3.31 ( 0.76 - 4.72 )	14.52	99
20+25+25+50	2.20	2.75	2.75	5.50	-	-	13.20 ( 3.20 - 15.00 )	3.39 ( 0.76 - 4.72 )	14.88	99
20+25+25+60	2.03	2.54	2.54	6.09	-	-	13.20 ( 3.20 - 15.00 )	3.36 ( 0.76 - 4.72 )	14.76	99
20+25+25+71	1.87	2.34	2.34	6.65	-	-	13.20 ( 3.20 - 15.10 )	3.31 ( 0.76 - 4.50 )	14.52	99
20+25+35+35	2.19	2.74	3.83	3.83	-	-	12.59 ( 3.20 - 15.00 )	3.09 ( 0.76 - 4.72 )	13.57	99
20+25+35+42	2.13	2.66	3.73	4.48	-	-	13.00 ( 3.20 - 15.00 )	3.31 ( 0.76 - 4.72 )	14.52	99
20+25+35+50	2.03	2.54	3.55	5.08	-	-	13.20 ( 3.20 - 15.00 )	3.38 ( 0.76 - 4.72 )	14.84	99
20+25+35+60	1.89	2.36	3.30	5.66	-	-	13.21 ( 3.20 - 15.00 )	3.33 ( 0.76 - 4.72 )	14.64	99
20+25+35+71	1.75	2.19	3.06	6.21	-	-	13.21 ( 3.20 - 15.10 )	3.29 ( 0.76 - 4.50 )	14.44	99
20+25+42+42	2.05	2.56	4.30	4.30	-	-	13.21 ( 3.20 - 15.00 )	3.39 ( 0.76 - 4.72 )	14.88	99
20+25+42+50	1.93	2.41	4.05	4.82	-	-	13.21 ( 3.20 - 15.10 )	3.29 ( 0.76 - 4.50 )	14.44	99
20+25+42+60	1.80	2.24	3.77	5.39	-	-	13.20 ( 3.20 - 15.10 )	3.27 ( 0.76 - 4.50 )	14.36	99
20+25+42+71	1.67	2.09	3.51	5.93	-	-	13.20 ( 3.20 - 15.10 )	3.24 ( 0.76 - 4.50 )	14.24	99
20+25+50+50	1.82	2.28	4.55	4.55	-	-	13.20 ( 3.20 - 15.10 )	3.24 ( 0.76 - 4.50 )	14.24	99
20+25+50+60	1.70	2.13	4.26	5.11	-	-	13.20 ( 3.20 - 15.10 )	3.24 ( 0.76 - 4.50 )	14.24	99
20+25+50+71	1.59	1.99	3.98	5.65	-	-	13.21 ( 3.20 - 15.10 )	3.24 ( 0.76 - 4.50 )	14.24	99
20+25+60+60	1.60	2.00	4.80	4.80	-	-	13.20 ( 3.20 - 15.10 )	3.24 ( 0.76 - 4.50 )	14.24	99
20+25+60+71	1.50	1.88	4.50	5.33	-	-	13.21 ( 3.20 - 15.10 )	3.24 ( 0.76 - 4.50 )	14.24	99
20+35+35+35	2.03	3.56	3.56	3.56	-	-	12.71 ( 3.20 - 15.00 )	3.14 ( 0.76 - 4.72 )	13.81	99
20+35+35+42	1.98	3.47	3.47	4.17	-	-	13.09 ( 3.20 - 15.00 )	3.36 ( 0.76 - 4.72 )	14.76	99

# MXZ-6D122VA HEATING

Indoor units combination	Heating Capacity (kW)							Outdoor unit power consumption (kW)	Current (A)	Power factor (%)
	Unit A	Unit B	Unit C	Unit D	Unit E	Unit F	Total			
20+35+35+50	1.89	3.30	3.30	4.71	-	-	13.20 ( 3.20 - 15.00 )	3.35 ( 0.76 - 4.72 )	14.72	99
20+35+35+60	1.76	3.08	3.08	5.28	-	-	13.20 ( 3.20 - 15.10 )	3.30 ( 0.76 - 4.50 )	14.48	99
20+35+35+71	1.64	2.87	2.87	5.82	-	-	13.20 ( 3.20 - 15.10 )	3.27 ( 0.76 - 4.50 )	14.38	99
20+35+42+42	1.90	3.32	3.99	3.99	-	-	13.20 ( 3.20 - 15.00 )	3.38 ( 0.76 - 4.72 )	14.84	99
20+35+42+50	1.80	3.14	3.77	4.49	-	-	13.20 ( 3.20 - 15.10 )	3.27 ( 0.76 - 4.50 )	14.36	99
20+35+42+60	1.68	2.94	3.53	5.04	-	-	13.19 ( 3.20 - 15.10 )	3.24 ( 0.76 - 4.50 )	14.24	99
20+35+42+71	1.57	2.75	3.30	5.58	-	-	13.20 ( 3.20 - 15.10 )	3.24 ( 0.76 - 4.50 )	14.24	99
20+35+50+50	1.70	2.98	4.26	4.26	-	-	13.20 ( 3.20 - 15.10 )	3.24 ( 0.76 - 4.50 )	14.24	99
20+35+50+60	1.60	2.80	4.00	4.80	-	-	13.20 ( 3.20 - 15.10 )	3.24 ( 0.76 - 4.50 )	14.24	99
20+35+50+71	1.50	2.63	3.75	5.33	-	-	13.21 ( 3.20 - 15.10 )	3.24 ( 0.76 - 4.50 )	14.24	99
20+35+60+60	1.51	2.64	4.53	4.53	-	-	13.21 ( 3.20 - 15.10 )	3.24 ( 0.76 - 4.50 )	14.24	99
20+42+42+42	1.81	3.80	3.80	3.80	-	-	13.21 ( 3.20 - 15.10 )	3.29 ( 0.76 - 4.50 )	14.44	99
20+42+42+50	1.71	3.60	3.60	4.29	-	-	13.20 ( 3.20 - 15.10 )	3.24 ( 0.76 - 4.50 )	14.24	99
20+42+42+60	1.61	3.38	3.38	4.83	-	-	13.20 ( 3.20 - 15.10 )	3.24 ( 0.76 - 4.50 )	14.24	99
20+42+42+71	1.51	3.17	3.17	5.36	-	-	13.21 ( 3.20 - 15.10 )	3.24 ( 0.76 - 4.50 )	14.24	99
20+42+50+50	1.63	3.42	4.07	4.07	-	-	13.19 ( 3.20 - 15.10 )	3.24 ( 0.76 - 4.50 )	14.24	99
20+42+50+60	1.53	3.22	3.84	4.60	-	-	13.19 ( 3.20 - 15.10 )	3.24 ( 0.76 - 4.50 )	14.24	99
20+50+50+50	1.55	3.88	3.88	3.88	-	-	13.19 ( 3.20 - 15.10 )	3.24 ( 0.76 - 4.50 )	14.24	99
20+50+50+60	1.47	3.67	3.67	4.40	-	-	13.21 ( 3.20 - 15.10 )	3.24 ( 0.76 - 4.50 )	14.24	99
22+22+22+22	3.13	3.13	3.13	3.13	-	-	12.52 ( 3.20 - 14.90 )	3.04 ( 0.76 - 4.25 )	13.33	99
22+22+22+25	3.05	3.05	3.05	3.46	-	-	12.61 ( 3.20 - 14.90 )	3.09 ( 0.76 - 4.25 )	13.57	99
22+22+22+35	2.77	2.77	2.77	4.40	-	-	12.71 ( 3.20 - 15.00 )	3.14 ( 0.76 - 4.72 )	13.81	99
22+22+22+42	2.65	2.65	2.65	5.06	-	-	13.01 ( 3.20 - 15.00 )	3.31 ( 0.76 - 4.72 )	14.52	99
22+22+22+50	2.50	2.50	2.50	5.69	-	-	13.19 ( 3.20 - 15.00 )	3.38 ( 0.76 - 4.72 )	14.84	99
22+22+22+60	2.30	2.30	2.30	6.29	-	-	13.19 ( 3.20 - 15.00 )	3.33 ( 0.76 - 4.72 )	14.64	99
22+22+22+71	2.12	2.12	2.12	6.84	-	-	13.20 ( 3.20 - 15.10 )	3.28 ( 0.76 - 4.50 )	14.42	99
22+22+25+25	2.95	2.95	3.35	3.35	-	-	12.60 ( 3.20 - 15.00 )	3.09 ( 0.76 - 4.72 )	13.57	99
22+22+25+35	2.69	2.69	3.05	4.27	-	-	12.70 ( 3.20 - 15.00 )	3.14 ( 0.76 - 4.72 )	13.81	99
22+22+25+42	2.60	2.60	2.95	4.96	-	-	13.11 ( 3.20 - 15.00 )	3.36 ( 0.76 - 4.72 )	14.76	99
22+22+25+50	2.44	2.44	2.77	5.55	-	-	13.20 ( 3.20 - 15.00 )	3.35 ( 0.76 - 4.72 )	14.72	99
22+22+25+60	2.25	2.25	2.56	6.14	-	-	13.20 ( 3.20 - 15.10 )	3.30 ( 0.76 - 4.50 )	14.48	99
22+22+25+71	2.07	2.07	2.36	6.69	-	-	13.19 ( 3.20 - 15.10 )	3.27 ( 0.76 - 4.50 )	14.38	99
22+22+35+35	2.49	2.49	3.96	3.96	-	-	12.90 ( 3.20 - 15.00 )	3.25 ( 0.76 - 4.72 )	14.28	99
22+22+35+42	2.40	2.40	3.82	4.58	-	-	13.20 ( 3.20 - 15.00 )	3.41 ( 0.76 - 4.72 )	14.96	99
22+22+35+50	2.25	2.25	3.58	5.12	-	-	13.20 ( 3.20 - 15.10 )	3.32 ( 0.76 - 4.50 )	14.60	99
22+22+35+60	2.09	2.09	3.32	5.70	-	-	13.20 ( 3.20 - 15.10 )	3.28 ( 0.76 - 4.50 )	14.42	99

# MXZ-6D122VA HEATING

Indoor units combination	Heating Capacity (kW)							Outdoor unit power consumption (kW)	Current (A)	Power factor (%)
	Unit A	Unit B	Unit C	Unit D	Unit E	Unit F	Total			
22+22+35+71	1.94	1.94	3.08	6.25	-	-	13.21 ( 3.20 - 15.10 )	3.27 ( 0.76 - 4.50 )	14.36	99
22+22+42+42	2.27	2.27	4.33	4.33	-	-	13.20 ( 3.20 - 15.00 )	3.35 ( 0.76 - 4.72 )	14.72	99
22+22+42+50	2.14	2.14	4.08	4.85	-	-	13.21 ( 3.20 - 15.10 )	3.27 ( 0.76 - 4.50 )	14.36	99
22+22+42+60	1.99	1.99	3.80	5.42	-	-	13.20 ( 3.20 - 15.10 )	3.24 ( 0.76 - 4.50 )	14.24	99
22+22+42+71	1.85	1.85	3.53	5.97	-	-	13.20 ( 3.20 - 15.10 )	3.24 ( 0.76 - 4.50 )	14.24	99
22+22+50+50	2.02	2.02	4.58	4.58	-	-	13.20 ( 3.20 - 15.10 )	3.24 ( 0.76 - 4.50 )	14.24	99
22+22+50+60	1.89	1.89	4.29	5.14	-	-	13.21 ( 3.20 - 15.10 )	3.24 ( 0.76 - 4.50 )	14.24	99
22+22+50+71	1.76	1.76	4.00	5.68	-	-	13.20 ( 3.20 - 15.10 )	3.24 ( 0.76 - 4.50 )	14.24	99
22+22+60+60	1.77	1.77	4.83	4.83	-	-	13.20 ( 3.20 - 15.10 )	3.24 ( 0.76 - 4.50 )	14.24	99
22+22+60+71	1.66	1.66	4.53	5.36	-	-	13.21 ( 3.20 - 15.10 )	3.24 ( 0.76 - 4.50 )	14.24	99
22+25+25+25	2.88	3.27	3.27	3.27	-	-	12.69 ( 3.20 - 15.00 )	3.14 ( 0.76 - 4.72 )	13.81	99
22+25+25+35	2.65	3.01	3.01	4.22	-	-	12.89 ( 3.20 - 15.00 )	3.25 ( 0.76 - 4.72 )	14.28	99
22+25+25+42	2.55	2.89	2.89	4.86	-	-	13.19 ( 3.20 - 15.00 )	3.41 ( 0.76 - 4.72 )	15.00	99
22+25+25+50	2.38	2.70	2.70	5.41	-	-	13.19 ( 3.20 - 15.00 )	3.34 ( 0.76 - 4.72 )	14.67	99
22+25+25+60	2.20	2.50	2.50	6.00	-	-	13.20 ( 3.20 - 15.10 )	3.29 ( 0.76 - 4.50 )	14.44	99
22+25+25+71	2.03	2.31	2.31	6.55	-	-	13.20 ( 3.20 - 15.10 )	3.27 ( 0.76 - 4.50 )	14.36	99
22+25+35+35	2.44	2.78	3.89	3.89	-	-	13.00 ( 3.20 - 15.00 )	3.31 ( 0.76 - 4.72 )	14.52	99
22+25+35+42	2.34	2.66	3.73	4.47	-	-	13.20 ( 3.20 - 15.00 )	3.39 ( 0.76 - 4.72 )	14.88	99
22+25+35+50	2.20	2.50	3.50	5.00	-	-	13.20 ( 3.20 - 15.10 )	3.30 ( 0.76 - 4.50 )	14.48	99
22+25+35+60	2.05	2.32	3.25	5.58	-	-	13.20 ( 3.20 - 15.10 )	3.27 ( 0.76 - 4.50 )	14.36	99
22+25+35+71	1.90	2.16	3.02	6.13	-	-	13.21 ( 3.20 - 15.10 )	3.24 ( 0.76 - 4.50 )	14.24	99
22+25+42+42	2.22	2.52	4.23	4.23	-	-	13.20 ( 3.20 - 15.00 )	3.33 ( 0.76 - 4.72 )	14.64	99
22+25+42+50	2.09	2.37	3.99	4.75	-	-	13.20 ( 3.20 - 15.10 )	3.24 ( 0.76 - 4.50 )	14.24	99
22+25+42+60	1.95	2.21	3.72	5.32	-	-	13.20 ( 3.20 - 15.10 )	3.24 ( 0.76 - 4.50 )	14.24	99
22+25+42+71	1.82	2.06	3.47	5.86	-	-	13.21 ( 3.20 - 15.10 )	3.24 ( 0.76 - 4.50 )	14.24	99
22+25+50+50	1.98	2.24	4.49	4.49	-	-	13.20 ( 3.20 - 15.10 )	3.24 ( 0.76 - 4.50 )	14.24	99
22+25+50+60	1.85	2.10	4.20	5.04	-	-	13.19 ( 3.20 - 15.10 )	3.24 ( 0.76 - 4.50 )	14.24	99
22+25+50+71	1.73	1.96	3.93	5.58	-	-	13.20 ( 3.20 - 15.10 )	3.24 ( 0.76 - 4.50 )	14.24	99
22+25+60+60	1.74	1.98	4.74	4.74	-	-	13.20 ( 3.20 - 15.10 )	3.24 ( 0.76 - 4.50 )	14.24	99
22+25+60+71	1.63	1.85	4.45	5.27	-	-	13.20 ( 3.20 - 15.10 )	3.24 ( 0.76 - 4.50 )	14.24	99
22+35+35+35	2.27	3.61	3.61	3.61	-	-	13.10 ( 3.20 - 15.00 )	3.36 ( 0.76 - 4.72 )	14.76	99
22+35+35+42	2.17	3.45	3.45	4.14	-	-	13.21 ( 3.20 - 15.00 )	3.39 ( 0.76 - 4.72 )	14.87	99
22+35+35+50	2.05	3.25	3.25	4.65	-	-	13.20 ( 3.20 - 15.10 )	3.28 ( 0.76 - 4.50 )	14.42	99
22+35+35+60	1.91	3.04	3.04	5.21	-	-	13.20 ( 3.20 - 15.10 )	3.25 ( 0.76 - 4.50 )	14.28	99
22+35+35+71	1.78	2.83	2.83	5.75	-	-	13.19 ( 3.20 - 15.10 )	3.24 ( 0.76 - 4.50 )	14.24	99
22+35+42+42	2.06	3.28	3.93	3.93	-	-	13.20 ( 3.20 - 15.10 )	3.30 ( 0.76 - 4.50 )	14.48	99

# MXZ-6D122VA HEATING

Indoor units combination	Heating Capacity (kW)							Outdoor unit power consumption (kW)	Current (A)	Power factor (%)
	Unit A	Unit B	Unit C	Unit D	Unit E	Unit F	Total			
22+35+42+50	1.95	3.10	3.72	4.43	-	-	13.20 ( 3.20 - 15.10 )	3.24 ( 0.76 - 4.50 )	14.24	99
22+35+42+60	1.83	2.91	3.49	4.98	-	-	13.21 ( 3.20 - 15.10 )	3.24 ( 0.76 - 4.50 )	14.24	99
22+35+42+71	1.71	2.72	3.26	5.51	-	-	13.20 ( 3.20 - 15.10 )	3.24 ( 0.76 - 4.50 )	14.24	99
22+35+50+50	1.85	2.94	4.20	4.20	-	-	13.19 ( 3.20 - 15.10 )	3.24 ( 0.76 - 4.50 )	14.24	99
22+35+50+60	1.74	2.77	3.95	4.74	-	-	13.20 ( 3.20 - 15.10 )	3.24 ( 0.76 - 4.50 )	14.24	99
22+35+50+71	1.63	2.60	3.71	5.27	-	-	13.21 ( 3.20 - 15.10 )	3.24 ( 0.76 - 4.50 )	14.24	99
22+35+60+60	1.64	2.61	4.47	4.47	-	-	13.19 ( 3.20 - 15.10 )	3.24 ( 0.76 - 4.50 )	14.24	99
22+42+42+42	1.96	3.75	3.75	3.75	-	-	13.21 ( 3.20 - 15.10 )	3.24 ( 0.76 - 4.50 )	14.24	99
22+42+42+50	1.86	3.55	3.55	4.23	-	-	13.19 ( 3.20 - 15.10 )	3.24 ( 0.76 - 4.50 )	14.24	99
22+42+42+60	1.75	3.34	3.34	4.77	-	-	13.20 ( 3.20 - 15.10 )	3.24 ( 0.76 - 4.50 )	14.24	99
22+42+42+71	1.64	3.13	3.13	5.29	-	-	13.19 ( 3.20 - 15.10 )	3.24 ( 0.76 - 4.50 )	14.24	99
22+42+50+50	1.77	3.38	4.02	4.02	-	-	13.19 ( 3.20 - 15.10 )	3.24 ( 0.76 - 4.50 )	14.24	99
22+42+50+60	1.67	3.19	3.79	4.55	-	-	13.20 ( 3.20 - 15.10 )	3.24 ( 0.76 - 4.50 )	14.24	99
22+50+50+50	1.69	3.84	3.84	3.84	-	-	13.21 ( 3.20 - 15.10 )	3.24 ( 0.76 - 4.50 )	14.24	99
25+25+25+25	3.20	3.20	3.20	3.20	-	-	12.80 ( 3.20 - 15.00 )	3.20 ( 0.76 - 4.72 )	14.05	99
25+25+25+35	2.95	2.95	2.95	4.14	-	-	12.99 ( 3.20 - 15.00 )	3.31 ( 0.76 - 4.72 )	14.52	99
25+25+25+42	2.82	2.82	2.82	4.74	-	-	13.20 ( 3.20 - 15.00 )	3.41 ( 0.76 - 4.72 )	14.96	99
25+25+25+50	2.64	2.64	2.64	5.28	-	-	13.20 ( 3.20 - 15.10 )	3.31 ( 0.76 - 4.50 )	14.52	99
25+25+25+60	2.44	2.44	2.44	5.87	-	-	13.19 ( 3.20 - 15.10 )	3.27 ( 0.76 - 4.50 )	14.38	99
25+25+25+71	2.26	2.26	2.26	6.42	-	-	13.20 ( 3.20 - 15.10 )	3.25 ( 0.76 - 4.50 )	14.28	99
25+25+35+35	2.71	2.71	3.79	3.79	-	-	13.00 ( 3.20 - 15.00 )	3.31 ( 0.76 - 4.72 )	14.52	99
25+25+35+42	2.60	2.60	3.64	4.37	-	-	13.21 ( 3.20 - 15.00 )	3.39 ( 0.76 - 4.72 )	14.88	99
25+25+35+50	2.44	2.44	3.42	4.89	-	-	13.19 ( 3.20 - 15.10 )	3.29 ( 0.76 - 4.50 )	14.44	99
25+25+35+60	2.28	2.28	3.19	5.46	-	-	13.21 ( 3.20 - 15.10 )	3.27 ( 0.76 - 4.50 )	14.36	99
25+25+35+71	2.12	2.12	2.96	6.01	-	-	13.21 ( 3.20 - 15.10 )	3.24 ( 0.76 - 4.50 )	14.24	99
25+25+42+42	2.46	2.46	4.14	4.14	-	-	13.20 ( 3.20 - 15.10 )	3.31 ( 0.76 - 4.50 )	14.52	99
25+25+42+50	2.32	2.32	3.90	4.65	-	-	13.19 ( 3.20 - 15.10 )	3.24 ( 0.76 - 4.50 )	14.24	99
25+25+42+60	2.17	2.17	3.65	5.21	-	-	13.20 ( 3.20 - 15.10 )	3.24 ( 0.76 - 4.50 )	14.24	99
25+25+42+71	2.02	2.02	3.40	5.75	-	-	13.19 ( 3.20 - 15.10 )	3.24 ( 0.76 - 4.50 )	14.24	99
25+25+50+50	2.20	2.20	4.40	4.40	-	-	13.20 ( 3.20 - 15.10 )	3.24 ( 0.76 - 4.50 )	14.24	99
25+25+50+60	2.06	2.06	4.13	4.95	-	-	13.20 ( 3.20 - 15.10 )	3.24 ( 0.76 - 4.50 )	14.24	99
25+25+50+71	1.93	1.93	3.86	5.48	-	-	13.20 ( 3.20 - 15.10 )	3.24 ( 0.76 - 4.50 )	14.24	99
25+25+60+60	1.94	1.94	4.66	4.66	-	-	13.20 ( 3.20 - 15.10 )	3.24 ( 0.76 - 4.50 )	14.24	99
25+35+35+35	2.52	3.53	3.53	3.53	-	-	13.11 ( 3.20 - 15.00 )	3.36 ( 0.76 - 4.72 )	14.76	99
25+35+35+42	2.41	3.37	3.37	4.05	-	-	13.20 ( 3.20 - 15.00 )	3.38 ( 0.76 - 4.72 )	14.84	99
25+35+35+50	2.28	3.19	3.19	4.55	-	-	13.21 ( 3.20 - 15.10 )	3.27 ( 0.76 - 4.50 )	14.36	99

# MXZ-6D122VA HEATING

Indoor units combination	Heating Capacity (kW)							Outdoor unit power consumption (kW)	Current (A)	Power factor (%)
	Unit A	Unit B	Unit C	Unit D	Unit E	Unit F	Total			
25+35+35+60	2.13	2.98	2.98	5.11	-	-	13.20 ( 3.20 - 15.10 )	3.24 ( 0.76 - 4.50 )	14.24	99
25+35+35+71	1.99	2.78	2.78	5.65	-	-	13.20 ( 3.20 - 15.10 )	3.24 ( 0.76 - 4.50 )	14.24	99
25+35+42+42	2.29	3.21	3.85	3.85	-	-	13.20 ( 3.20 - 15.10 )	3.29 ( 0.76 - 4.50 )	14.44	99
25+35+42+50	2.17	3.04	3.65	4.34	-	-	13.20 ( 3.20 - 15.10 )	3.24 ( 0.76 - 4.50 )	14.24	99
25+35+42+60	2.04	2.85	3.42	4.89	-	-	13.20 ( 3.20 - 15.10 )	3.24 ( 0.76 - 4.50 )	14.24	99
25+35+42+71	1.91	2.67	3.20	5.42	-	-	13.20 ( 3.20 - 15.10 )	3.24 ( 0.76 - 4.50 )	14.24	99
25+35+50+50	2.06	2.89	4.13	4.13	-	-	13.21 ( 3.20 - 15.10 )	3.24 ( 0.76 - 4.50 )	14.24	99
25+35+50+60	1.94	2.72	3.88	4.66	-	-	13.20 ( 3.20 - 15.10 )	3.24 ( 0.76 - 4.50 )	14.24	99
25+35+60+60	1.83	2.57	4.40	4.40	-	-	13.20 ( 3.20 - 15.10 )	3.24 ( 0.76 - 4.50 )	14.24	99
25+42+42+42	2.19	3.67	3.67	3.67	-	-	13.20 ( 3.20 - 15.10 )	3.24 ( 0.76 - 4.50 )	14.24	99
25+42+42+50	2.08	3.49	3.49	4.15	-	-	13.21 ( 3.20 - 15.10 )	3.24 ( 0.76 - 4.50 )	14.24	99
25+42+42+60	1.95	3.28	3.28	4.69	-	-	13.20 ( 3.20 - 15.10 )	3.24 ( 0.76 - 4.50 )	14.24	99
25+42+42+71	1.83	3.08	3.08	5.21	-	-	13.20 ( 3.20 - 15.10 )	3.24 ( 0.76 - 4.50 )	14.24	99
25+42+50+50	1.98	3.32	3.95	3.95	-	-	13.20 ( 3.20 - 15.10 )	3.24 ( 0.76 - 4.50 )	14.24	99
25+42+50+60	1.86	3.13	3.73	4.47	-	-	13.19 ( 3.20 - 15.10 )	3.24 ( 0.76 - 4.50 )	14.24	99
25+50+50+50	1.89	3.77	3.77	3.77	-	-	13.20 ( 3.20 - 15.10 )	3.24 ( 0.76 - 4.50 )	14.24	99
35+35+35+35	3.30	3.30	3.30	3.30	-	-	13.20 ( 3.20 - 15.00 )	3.41 ( 0.76 - 4.72 )	14.96	99
35+35+35+42	3.14	3.14	3.14	3.77	-	-	13.19 ( 3.20 - 15.00 )	3.35 ( 0.76 - 4.72 )	14.72	99
35+35+35+50	2.98	2.98	2.98	4.26	-	-	13.20 ( 3.20 - 15.10 )	3.27 ( 0.76 - 4.50 )	14.36	99
35+35+35+60	2.80	2.80	2.80	4.80	-	-	13.20 ( 3.20 - 15.10 )	3.24 ( 0.76 - 4.50 )	14.24	99
35+35+35+71	2.63	2.63	2.63	5.33	-	-	13.22 ( 3.20 - 15.10 )	3.24 ( 0.76 - 4.50 )	14.24	99
35+35+42+42	3.00	3.00	3.60	3.60	-	-	13.20 ( 3.20 - 15.10 )	3.27 ( 0.76 - 4.50 )	14.36	99
35+35+42+50	2.85	2.85	3.42	4.07	-	-	13.19 ( 3.20 - 15.10 )	3.24 ( 0.76 - 4.50 )	14.24	99
35+35+42+60	2.69	2.69	3.22	4.60	-	-	13.20 ( 3.20 - 15.10 )	3.24 ( 0.76 - 4.50 )	14.24	99
35+35+50+50	2.72	2.72	3.88	3.88	-	-	13.20 ( 3.20 - 15.10 )	3.24 ( 0.76 - 4.50 )	14.24	99
35+35+50+60	2.57	2.57	3.67	4.40	-	-	13.21 ( 3.20 - 15.10 )	3.24 ( 0.76 - 4.50 )	14.24	99
35+42+42+42	2.87	3.44	3.44	3.44	-	-	13.19 ( 3.20 - 15.10 )	3.24 ( 0.76 - 4.50 )	14.24	99
35+42+42+50	2.73	3.28	3.28	3.91	-	-	13.20 ( 3.20 - 15.10 )	3.24 ( 0.76 - 4.50 )	14.24	99
35+42+42+60	2.58	3.10	3.10	4.42	-	-	13.20 ( 3.20 - 15.10 )	3.24 ( 0.76 - 4.50 )	14.24	99
35+42+50+50	2.61	3.13	3.73	3.73	-	-	13.20 ( 3.20 - 15.10 )	3.24 ( 0.76 - 4.50 )	14.24	99
42+42+42+42	3.30	3.30	3.30	3.30	-	-	13.20 ( 3.20 - 15.10 )	3.24 ( 0.76 - 4.50 )	14.24	99
42+42+42+50	3.15	3.15	3.15	3.75	-	-	13.20 ( 3.20 - 15.10 )	3.24 ( 0.76 - 4.50 )	14.24	99
15+15+15+15+15	1.70	1.70	1.70	1.70	1.70	-	8.50 ( 3.40 - 13.80 )	1.72 ( 0.80 - 5.22 )	7.56	99
15+15+15+15+18	1.94	1.94	1.94	1.94	2.33	-	10.09 ( 3.40 - 14.60 )	2.31 ( 0.80 - 5.50 )	10.14	99
15+15+15+15+20	1.69	1.69	1.69	1.69	2.25	-	9.01 ( 3.40 - 14.00 )	1.90 ( 0.80 - 5.30 )	8.35	99
15+15+15+15+22	1.85	1.85	1.85	1.85	2.71	-	10.11 ( 3.40 - 14.60 )	2.31 ( 0.80 - 5.50 )	10.14	99



# MXZ-6D122VA HEATING

Indoor units combination	Heating Capacity (kW)							Outdoor unit power consumption (kW)	Current (A)	Power factor (%)
	Unit A	Unit B	Unit C	Unit D	Unit E	Unit F	Total			
15+15+15+15+25	1.84	1.84	1.84	1.84	3.06	-	10.42 ( 3.40 - 14.60 )	2.42 ( 0.80 - 5.53 )	10.64	99
15+15+15+15+35	1.71	1.71	1.71	1.71	3.98	-	10.82 ( 3.40 - 14.90 )	2.57 ( 0.80 - 5.62 )	11.28	99
15+15+15+15+42	1.81	1.81	1.81	1.81	5.06	-	12.30 ( 3.50 - 15.10 )	2.75 ( 0.78 - 4.85 )	12.07	99
15+15+15+15+50	1.82	1.82	1.82	1.82	6.07	-	13.35 ( 3.50 - 15.60 )	3.01 ( 0.77 - 4.86 )	13.23	99
15+15+15+15+60	1.68	1.68	1.68	1.68	6.70	-	13.42 ( 3.50 - 15.60 )	3.05 ( 0.77 - 4.91 )	13.41	99
15+15+15+15+71	1.53	1.53	1.53	1.53	7.26	-	13.38 ( 3.50 - 15.60 )	3.05 ( 0.77 - 4.91 )	13.39	99
15+15+15+18+18	2.17	2.17	2.17	2.60	2.60	-	11.71 ( 3.40 - 15.00 )	2.70 ( 0.79 - 5.25 )	11.87	99
15+15+15+18+20	1.90	1.90	1.90	2.28	2.53	-	10.51 ( 3.40 - 14.70 )	2.46 ( 0.80 - 5.56 )	10.80	99
15+15+15+18+22	2.06	2.06	2.06	2.48	3.03	-	11.69 ( 3.40 - 15.00 )	2.70 ( 0.79 - 5.25 )	11.87	99
15+15+15+18+25	2.03	2.03	2.03	2.43	3.38	-	11.90 ( 3.50 - 15.10 )	2.72 ( 0.79 - 5.12 )	11.94	99
15+15+15+18+35	1.91	1.91	1.91	2.30	4.46	-	12.49 ( 3.50 - 15.10 )	2.77 ( 0.78 - 4.85 )	12.15	99
15+15+15+18+42	1.90	1.90	1.90	2.28	5.32	-	13.30 ( 3.50 - 15.50 )	2.97 ( 0.77 - 4.80 )	13.06	99
15+15+15+18+50	1.78	1.78	1.78	2.13	5.93	-	13.40 ( 3.50 - 15.60 )	3.05 ( 0.77 - 4.90 )	13.37	99
15+15+15+18+60	1.63	1.63	1.63	1.96	6.54	-	13.39 ( 3.50 - 15.60 )	3.05 ( 0.77 - 4.90 )	13.37	99
15+15+15+18+71	1.50	1.50	1.50	1.80	7.10	-	13.40 ( 3.50 - 15.60 )	3.05 ( 0.77 - 4.90 )	13.37	99
15+15+15+20+20	1.62	1.62	1.62	2.16	2.16	-	9.18 ( 3.40 - 14.10 )	1.98 ( 0.80 - 5.33 )	8.70	99
15+15+15+20+22	1.81	1.81	1.81	2.41	2.66	-	10.50 ( 3.40 - 14.70 )	2.46 ( 0.80 - 5.56 )	10.80	99
15+15+15+20+25	1.82	1.82	1.82	2.42	3.03	-	10.91 ( 3.40 - 14.90 )	2.60 ( 0.80 - 5.64 )	11.43	99
15+15+15+20+35	1.70	1.70	1.70	2.26	3.96	-	11.32 ( 3.40 - 15.00 )	2.67 ( 0.80 - 5.35 )	11.71	99
15+15+15+20+42	1.84	1.84	1.84	2.45	5.14	-	13.11 ( 3.50 - 15.20 )	2.82 ( 0.77 - 4.46 )	12.38	99
15+15+15+20+50	1.75	1.75	1.75	2.33	5.83	-	13.41 ( 3.50 - 15.60 )	3.05 ( 0.77 - 4.91 )	13.41	99
15+15+15+20+60	1.61	1.61	1.61	2.14	6.43	-	13.40 ( 3.50 - 15.60 )	3.05 ( 0.77 - 4.91 )	13.41	99
15+15+15+20+71	1.48	1.48	1.48	1.97	7.00	-	13.41 ( 3.50 - 15.60 )	3.05 ( 0.77 - 4.90 )	13.37	99
15+15+15+22+22	1.97	1.97	1.97	2.89	2.89	-	11.69 ( 3.40 - 15.00 )	2.70 ( 0.79 - 5.25 )	11.87	99
15+15+15+22+25	1.94	1.94	1.94	2.85	3.23	-	11.90 ( 3.50 - 15.10 )	2.72 ( 0.79 - 5.12 )	11.94	99
15+15+15+22+35	1.84	1.84	1.84	2.70	4.29	-	12.51 ( 3.50 - 15.10 )	2.77 ( 0.78 - 4.85 )	12.15	99
15+15+15+22+42	1.83	1.83	1.83	2.68	5.12	-	13.29 ( 3.50 - 15.50 )	2.97 ( 0.77 - 4.80 )	13.06	99
15+15+15+22+50	1.72	1.72	1.72	2.52	5.73	-	13.41 ( 3.50 - 15.60 )	3.05 ( 0.77 - 4.90 )	13.37	99
15+15+15+22+60	1.58	1.58	1.58	2.32	6.33	-	13.39 ( 3.50 - 15.60 )	3.05 ( 0.77 - 4.90 )	13.37	99
15+15+15+22+71	1.46	1.46	1.46	2.14	6.89	-	13.41 ( 3.50 - 15.60 )	3.05 ( 0.77 - 4.90 )	13.37	99
15+15+15+25+25	1.94	1.94	1.94	3.24	3.24	-	12.30 ( 3.50 - 15.10 )	2.75 ( 0.78 - 4.85 )	12.07	99
15+15+15+25+35	1.87	1.87	1.87	3.12	4.37	-	13.10 ( 3.50 - 15.20 )	2.82 ( 0.77 - 4.46 )	12.38	99
15+15+15+25+42	1.79	1.79	1.79	2.99	5.03	-	13.39 ( 3.50 - 15.60 )	3.05 ( 0.77 - 4.91 )	13.41	99
15+15+15+25+50	1.68	1.68	1.68	2.79	5.58	-	13.41 ( 3.50 - 15.60 )	3.05 ( 0.77 - 4.90 )	13.37	99
15+15+15+25+60	1.55	1.55	1.55	2.58	6.18	-	13.41 ( 3.50 - 15.60 )	3.05 ( 0.77 - 4.90 )	13.37	99
15+15+15+25+71	1.43	1.43	1.43	2.38	6.75	-	13.42 ( 3.50 - 15.60 )	3.05 ( 0.77 - 4.90 )	13.37	99

# MXZ-6D122VA HEATING

Indoor units combination	Heating Capacity (kW)							Outdoor unit power consumption (kW)	Current (A)	Power factor (%)
	Unit A	Unit B	Unit C	Unit D	Unit E	Unit F	Total			
15+15+15+35+35	1.72	1.72	1.72	4.02	4.02	-	13.20 ( 3.50 - 15.30 )	2.90 ( 0.77 - 4.57 )	12.74	99
15+15+15+35+42	1.65	1.65	1.65	3.84	4.61	-	13.40 ( 3.50 - 15.60 )	3.05 ( 0.77 - 4.91 )	13.41	99
15+15+15+35+50	1.55	1.55	1.55	3.61	5.15	-	13.41 ( 3.50 - 15.60 )	3.05 ( 0.77 - 4.90 )	13.37	99
15+15+15+35+60	1.44	1.44	1.44	3.35	5.74	-	13.41 ( 3.50 - 15.60 )	3.05 ( 0.77 - 4.90 )	13.37	99
15+15+15+35+71	1.33	1.33	1.33	3.11	6.30	-	13.40 ( 3.50 - 15.60 )	3.04 ( 0.77 - 4.89 )	13.33	99
15+15+15+42+42	1.56	1.56	1.56	4.36	4.36	-	13.40 ( 3.50 - 15.60 )	3.05 ( 0.77 - 4.90 )	13.37	99
15+15+15+42+50	1.47	1.47	1.47	4.11	4.89	-	13.41 ( 3.50 - 15.60 )	3.04 ( 0.77 - 4.89 )	13.33	99
15+15+15+42+60	1.37	1.37	1.37	3.83	5.47	-	13.41 ( 3.50 - 15.60 )	3.04 ( 0.77 - 4.89 )	13.33	99
15+15+15+42+71	1.27	1.27	1.27	3.56	6.02	-	13.39 ( 3.50 - 15.60 )	3.03 ( 0.77 - 4.88 )	13.29	99
15+15+15+50+50	1.39	1.39	1.39	4.62	4.62	-	13.41 ( 3.50 - 15.60 )	3.03 ( 0.77 - 4.88 )	13.29	99
15+15+15+50+60	1.30	1.30	1.30	4.32	5.19	-	13.41 ( 3.50 - 15.60 )	3.03 ( 0.77 - 4.88 )	13.29	99
15+15+15+50+71	1.21	1.21	1.21	4.04	5.73	-	13.40 ( 3.50 - 15.60 )	3.02 ( 0.77 - 4.87 )	13.25	99
15+15+15+60+60	1.22	1.22	1.22	4.87	4.87	-	13.40 ( 3.50 - 15.60 )	3.02 ( 0.77 - 4.87 )	13.25	99
15+15+15+60+71	1.14	1.14	1.14	4.57	5.41	-	13.40 ( 3.50 - 15.60 )	3.06 ( 0.77 - 4.87 )	13.45	99
15+15+18+18+18	2.36	2.36	2.83	2.83	2.83	-	13.21 ( 3.50 - 15.40 )	2.90 ( 0.77 - 4.69 )	12.74	99
15+15+18+18+20	2.15	2.15	2.57	2.57	2.86	-	12.30 ( 3.50 - 15.10 )	2.75 ( 0.78 - 4.85 )	12.07	99
15+15+18+18+22	2.25	2.25	2.70	2.70	3.30	-	13.20 ( 3.50 - 15.40 )	2.90 ( 0.77 - 4.69 )	12.74	99
15+15+18+18+25	2.19	2.19	2.63	2.63	3.65	-	13.29 ( 3.50 - 15.50 )	2.97 ( 0.77 - 4.80 )	13.06	99
15+15+18+18+35	1.98	1.98	2.38	2.38	4.63	-	13.35 ( 3.50 - 15.60 )	3.01 ( 0.77 - 4.86 )	13.23	99
15+15+18+18+42	1.86	1.86	2.23	2.23	5.21	-	13.39 ( 3.50 - 15.60 )	3.05 ( 0.77 - 4.90 )	13.37	99
15+15+18+18+50	1.73	1.73	2.08	2.08	5.78	-	13.40 ( 3.50 - 15.60 )	3.05 ( 0.77 - 4.90 )	13.37	99
15+15+18+18+60	1.60	1.60	1.91	1.91	6.38	-	13.40 ( 3.50 - 15.60 )	3.04 ( 0.77 - 4.89 )	13.33	99
15+15+18+18+71	1.47	1.47	1.76	1.76	6.94	-	13.40 ( 3.50 - 15.60 )	3.04 ( 0.77 - 4.89 )	13.33	99
15+15+18+20+20	1.88	1.88	2.25	2.50	2.50	-	11.01 ( 3.40 - 14.90 )	2.64 ( 0.80 - 5.64 )	11.59	99
15+15+18+20+22	2.05	2.05	2.46	2.73	3.01	-	12.30 ( 3.50 - 15.10 )	2.75 ( 0.78 - 4.85 )	12.07	99
15+15+18+20+25	2.05	2.05	2.46	2.73	3.41	-	12.70 ( 3.50 - 15.10 )	2.78 ( 0.78 - 4.85 )	12.23	99
15+15+18+20+35	1.91	1.91	2.29	2.54	4.45	-	13.10 ( 3.50 - 15.20 )	2.82 ( 0.77 - 4.46 )	12.38	99
15+15+18+20+42	1.83	1.83	2.19	2.44	5.12	-	13.41 ( 3.50 - 15.60 )	3.05 ( 0.77 - 4.91 )	13.41	99
15+15+18+20+50	1.70	1.70	2.04	2.27	5.68	-	13.39 ( 3.50 - 15.60 )	3.05 ( 0.77 - 4.90 )	13.37	99
15+15+18+20+60	1.57	1.57	1.88	2.09	6.28	-	13.39 ( 3.50 - 15.60 )	3.05 ( 0.77 - 4.90 )	13.37	99
15+15+18+20+71	1.45	1.45	1.74	1.93	6.84	-	13.41 ( 3.50 - 15.60 )	3.04 ( 0.77 - 4.89 )	13.33	99
15+15+18+22+22	2.15	2.15	2.58	3.16	3.16	-	13.20 ( 3.50 - 15.40 )	2.90 ( 0.77 - 4.69 )	12.74	99
15+15+18+22+25	2.10	2.10	2.52	3.08	3.50	-	13.30 ( 3.50 - 15.50 )	2.97 ( 0.77 - 4.80 )	13.06	99
15+15+18+22+35	1.91	1.91	2.29	2.80	4.45	-	13.36 ( 3.50 - 15.60 )	3.01 ( 0.77 - 4.86 )	13.23	99
15+15+18+22+42	1.79	1.79	2.15	2.63	5.03	-	13.39 ( 3.50 - 15.60 )	3.05 ( 0.77 - 4.90 )	13.37	99
15+15+18+22+50	1.68	1.68	2.01	2.46	5.58	-	13.41 ( 3.50 - 15.60 )	3.05 ( 0.77 - 4.90 )	13.37	99

# MXZ-6D122VA HEATING

Indoor units combination	Heating Capacity (kW)							Outdoor unit power consumption (kW)	Current (A)	Power factor (%)
	Unit A	Unit B	Unit C	Unit D	Unit E	Unit F	Total			
15+15+18+22+60	1.55	1.55	1.86	2.27	6.18	-	13.41 ( 3.50 - 15.60 )	3.04 ( 0.77 - 4.89 )	13.33	99
15+15+18+22+71	1.43	1.43	1.71	2.09	6.75	-	13.41 ( 3.50 - 15.60 )	3.04 ( 0.77 - 4.89 )	13.33	99
15+15+18+25+25	2.04	2.04	2.44	3.39	3.39	-	13.30 ( 3.50 - 15.50 )	2.97 ( 0.77 - 4.80 )	13.06	99
15+15+18+25+35	1.86	1.86	2.23	3.10	4.34	-	13.39 ( 3.50 - 15.60 )	3.05 ( 0.77 - 4.91 )	13.41	99
15+15+18+25+42	1.75	1.75	2.10	2.91	4.89	-	13.40 ( 3.50 - 15.60 )	3.05 ( 0.77 - 4.90 )	13.37	99
15+15+18+25+50	1.63	1.63	1.96	2.72	5.45	-	13.39 ( 3.50 - 15.60 )	3.04 ( 0.77 - 4.89 )	13.33	99
15+15+18+25+60	1.51	1.51	1.81	2.52	6.05	-	13.40 ( 3.50 - 15.60 )	3.04 ( 0.77 - 4.89 )	13.33	99
15+15+18+25+71	1.40	1.40	1.68	2.33	6.61	-	13.42 ( 3.50 - 15.60 )	3.03 ( 0.77 - 4.88 )	13.29	99
15+15+18+35+35	1.70	1.70	2.04	3.97	3.97	-	13.38 ( 3.50 - 15.60 )	3.05 ( 0.77 - 4.91 )	13.41	99
15+15+18+35+42	1.61	1.61	1.93	3.75	4.50	-	13.40 ( 3.50 - 15.60 )	3.05 ( 0.77 - 4.90 )	13.37	99
15+15+18+35+50	1.51	1.51	1.81	3.53	5.04	-	13.40 ( 3.50 - 15.60 )	3.04 ( 0.77 - 4.89 )	13.33	99
15+15+18+35+60	1.41	1.41	1.69	3.28	5.62	-	13.41 ( 3.50 - 15.60 )	3.04 ( 0.77 - 4.89 )	13.33	99
15+15+18+35+71	1.31	1.31	1.57	3.05	6.18	-	13.42 ( 3.50 - 15.60 )	3.03 ( 0.77 - 4.88 )	13.29	99
15+15+18+42+42	1.52	1.52	1.83	4.26	4.26	-	13.39 ( 3.50 - 15.60 )	3.04 ( 0.77 - 4.89 )	13.33	99
15+15+18+42+50	1.44	1.44	1.72	4.02	4.79	-	13.41 ( 3.50 - 15.60 )	3.03 ( 0.77 - 4.88 )	13.29	99
15+15+18+42+60	1.34	1.34	1.61	3.75	5.36	-	13.40 ( 3.50 - 15.60 )	3.03 ( 0.77 - 4.88 )	13.29	99
15+15+18+42+71	1.25	1.25	1.50	3.50	5.91	-	13.41 ( 3.50 - 15.60 )	3.02 ( 0.77 - 4.87 )	13.25	99
15+15+18+50+50	1.36	1.36	1.63	4.53	4.53	-	13.41 ( 3.50 - 15.60 )	3.02 ( 0.77 - 4.87 )	13.25	99
15+15+18+50+60	1.27	1.27	1.53	4.24	5.09	-	13.40 ( 3.50 - 15.60 )	3.06 ( 0.77 - 4.87 )	13.45	99
15+15+18+50+71	1.19	1.19	1.43	3.96	5.63	-	13.40 ( 3.50 - 15.60 )	3.06 ( 0.77 - 4.87 )	13.45	99
15+15+18+60+60	1.20	1.20	1.44	4.79	4.79	-	13.42 ( 3.50 - 15.60 )	3.06 ( 0.77 - 4.87 )	13.45	99
15+15+18+60+71	1.12	1.12	1.35	4.49	5.32	-	13.40 ( 3.50 - 15.60 )	3.06 ( 0.77 - 4.87 )	13.45	99
15+15+20+20+20	1.67	1.67	2.22	2.22	2.22	-	10.00 ( 3.40 - 14.50 )	2.27 ( 0.80 - 5.49 )	9.97	99
15+15+20+20+22	1.79	1.79	2.39	2.39	2.63	-	10.99 ( 3.40 - 14.90 )	2.64 ( 0.80 - 5.64 )	11.59	99
15+15+20+20+25	1.80	1.80	2.40	2.40	3.00	-	11.40 ( 3.40 - 15.00 )	2.68 ( 0.79 - 5.25 )	11.75	99
15+15+20+20+35	1.69	1.69	2.25	2.25	3.93	-	11.81 ( 3.40 - 15.00 )	2.71 ( 0.79 - 5.25 )	11.91	99
15+15+20+20+42	1.77	1.77	2.36	2.36	4.95	-	13.21 ( 3.50 - 15.30 )	2.90 ( 0.77 - 4.57 )	12.74	99
15+15+20+20+50	1.68	1.68	2.23	2.23	5.58	-	13.40 ( 3.50 - 15.60 )	3.05 ( 0.77 - 4.91 )	13.41	99
15+15+20+20+60	1.55	1.55	2.06	2.06	6.18	-	13.40 ( 3.50 - 15.60 )	3.05 ( 0.77 - 4.90 )	13.37	99
15+15+20+20+71	1.43	1.43	1.90	1.90	6.75	-	13.41 ( 3.50 - 15.60 )	3.05 ( 0.77 - 4.90 )	13.37	99
15+15+20+22+22	1.96	1.96	2.62	2.88	2.88	-	12.30 ( 3.50 - 15.10 )	2.75 ( 0.78 - 4.85 )	12.07	99
15+15+20+22+25	1.96	1.96	2.62	2.88	3.27	-	12.69 ( 3.50 - 15.10 )	2.78 ( 0.78 - 4.85 )	12.23	99
15+15+20+22+35	1.84	1.84	2.45	2.69	4.29	-	13.11 ( 3.50 - 15.20 )	2.82 ( 0.77 - 4.46 )	12.38	99
15+15+20+22+42	1.76	1.76	2.35	2.59	4.94	-	13.40 ( 3.50 - 15.60 )	3.05 ( 0.77 - 4.91 )	13.41	99
15+15+20+22+50	1.65	1.65	2.20	2.42	5.49	-	13.41 ( 3.50 - 15.60 )	3.05 ( 0.77 - 4.90 )	13.37	99
15+15+20+22+60	1.52	1.52	2.03	2.23	6.09	-	13.39 ( 3.50 - 15.60 )	3.05 ( 0.77 - 4.90 )	13.37	99

# MXZ-6D122VA HEATING

Indoor units combination	Heating Capacity (kW)							Outdoor unit power consumption (kW)	Current (A)	Power factor (%)
	Unit A	Unit B	Unit C	Unit D	Unit E	Unit F	Total			
15+15+20+22+71	1.41	1.41	1.87	2.06	6.65	-	13.40 ( 3.50 - 15.60 )	3.04 ( 0.77 - 4.89 )	13.33	99
15+15+20+25+25	1.97	1.97	2.62	3.28	3.28	-	13.12 ( 3.50 - 15.20 )	2.82 ( 0.77 - 4.46 )	12.38	99
15+15+20+25+35	1.80	1.80	2.40	3.00	4.20	-	13.20 ( 3.50 - 15.30 )	2.90 ( 0.77 - 4.57 )	12.74	99
15+15+20+25+42	1.72	1.72	2.29	2.86	4.81	-	13.40 ( 3.50 - 15.60 )	3.05 ( 0.77 - 4.91 )	13.41	99
15+15+20+25+50	1.61	1.61	2.14	2.68	5.36	-	13.40 ( 3.50 - 15.60 )	3.05 ( 0.77 - 4.90 )	13.37	99
15+15+20+25+60	1.49	1.49	1.99	2.48	5.96	-	13.41 ( 3.50 - 15.60 )	3.05 ( 0.77 - 4.90 )	13.37	99
15+15+20+25+71	1.38	1.38	1.84	2.29	6.52	-	13.41 ( 3.50 - 15.60 )	3.04 ( 0.77 - 4.89 )	13.33	99
15+15+20+35+35	1.66	1.66	2.22	3.88	3.88	-	13.30 ( 3.50 - 15.50 )	2.97 ( 0.77 - 4.80 )	13.06	99
15+15+20+35+42	1.58	1.58	2.11	3.69	4.43	-	13.39 ( 3.50 - 15.60 )	3.05 ( 0.77 - 4.91 )	13.41	99
15+15+20+35+50	1.49	1.49	1.99	3.47	4.96	-	13.40 ( 3.50 - 15.60 )	3.05 ( 0.77 - 4.90 )	13.37	99
15+15+20+35+60	1.39	1.39	1.85	3.23	5.54	-	13.40 ( 3.50 - 15.60 )	3.04 ( 0.77 - 4.89 )	13.33	99
15+15+20+35+71	1.29	1.29	1.72	3.01	6.10	-	13.41 ( 3.50 - 15.60 )	3.04 ( 0.77 - 4.89 )	13.33	99
15+15+20+42+42	1.50	1.50	2.00	4.20	4.20	-	13.40 ( 3.50 - 15.60 )	3.05 ( 0.77 - 4.90 )	13.37	99
15+15+20+42+50	1.42	1.42	1.89	3.96	4.72	-	13.41 ( 3.50 - 15.60 )	3.04 ( 0.77 - 4.89 )	13.33	99
15+15+20+42+60	1.32	1.32	1.76	3.70	5.29	-	13.39 ( 3.50 - 15.60 )	3.03 ( 0.77 - 4.88 )	13.29	99
15+15+20+42+71	1.23	1.23	1.64	3.45	5.84	-	13.39 ( 3.50 - 15.60 )	3.03 ( 0.77 - 4.88 )	13.29	99
15+15+20+50+50	1.34	1.34	1.79	4.47	4.47	-	13.41 ( 3.50 - 15.60 )	3.03 ( 0.77 - 4.88 )	13.29	99
15+15+20+50+60	1.26	1.26	1.68	4.19	5.03	-	13.42 ( 3.50 - 15.60 )	3.02 ( 0.77 - 4.87 )	13.25	99
15+15+20+50+71	1.18	1.18	1.57	3.92	5.56	-	13.41 ( 3.50 - 15.60 )	3.02 ( 0.77 - 4.87 )	13.25	99
15+15+20+60+60	1.18	1.18	1.58	4.73	4.73	-	13.40 ( 3.50 - 15.60 )	3.02 ( 0.77 - 4.87 )	13.25	99
15+15+22+22+22	2.06	2.06	3.03	3.03	3.03	-	13.21 ( 3.50 - 15.40 )	2.90 ( 0.77 - 4.69 )	12.74	99
15+15+22+22+25	2.02	2.02	2.96	2.96	3.36	-	13.32 ( 3.50 - 15.50 )	2.97 ( 0.77 - 4.80 )	13.06	99
15+15+22+22+35	1.84	1.84	2.69	2.69	4.29	-	13.35 ( 3.50 - 15.60 )	3.01 ( 0.77 - 4.86 )	13.23	99
15+15+22+22+42	1.73	1.73	2.54	2.54	4.85	-	13.39 ( 3.50 - 15.60 )	3.05 ( 0.77 - 4.90 )	13.37	99
15+15+22+22+50	1.62	1.62	2.38	2.38	5.40	-	13.40 ( 3.50 - 15.60 )	3.05 ( 0.77 - 4.90 )	13.37	99
15+15+22+22+60	1.50	1.50	2.20	2.20	6.00	-	13.40 ( 3.50 - 15.60 )	3.04 ( 0.77 - 4.89 )	13.33	99
15+15+22+22+71	1.39	1.39	2.03	2.03	6.56	-	13.40 ( 3.50 - 15.60 )	3.04 ( 0.77 - 4.89 )	13.33	99
15+15+22+25+25	1.96	1.96	2.87	3.26	3.26	-	13.31 ( 3.50 - 15.50 )	2.97 ( 0.77 - 4.80 )	13.06	99
15+15+22+25+35	1.79	1.79	2.63	2.99	4.19	-	13.39 ( 3.50 - 15.60 )	3.05 ( 0.77 - 4.91 )	13.41	99
15+15+22+25+42	1.69	1.69	2.48	2.82	4.73	-	13.41 ( 3.50 - 15.60 )	3.05 ( 0.77 - 4.90 )	13.37	99
15+15+22+25+50	1.58	1.58	2.32	2.64	5.28	-	13.40 ( 3.50 - 15.60 )	3.04 ( 0.77 - 4.89 )	13.33	99
15+15+22+25+60	1.47	1.47	2.15	2.45	5.87	-	13.41 ( 3.50 - 15.60 )	3.04 ( 0.77 - 4.89 )	13.33	99
15+15+22+25+71	1.36	1.36	1.99	2.26	6.43	-	13.40 ( 3.50 - 15.60 )	3.03 ( 0.77 - 4.88 )	13.29	99
15+15+22+35+35	1.65	1.65	2.42	3.84	3.84	-	13.40 ( 3.50 - 15.60 )	3.05 ( 0.77 - 4.91 )	13.41	99
15+15+22+35+42	1.56	1.56	2.29	3.64	4.36	-	13.41 ( 3.50 - 15.60 )	3.05 ( 0.77 - 4.90 )	13.37	99
15+15+22+35+50	1.47	1.47	2.15	3.42	4.89	-	13.40 ( 3.50 - 15.60 )	3.04 ( 0.77 - 4.89 )	13.33	99

# MXZ-6D122VA HEATING

Indoor units combination	Heating Capacity (kW)							Outdoor unit power consumption (kW)	Current (A)	Power factor (%)
	Unit A	Unit B	Unit C	Unit D	Unit E	Unit F	Total			
15+15+22+35+60	1.37	1.37	2.01	3.19	5.47	-	13.41 ( 3.50 - 15.60 )	3.04 ( 0.77 - 4.89 )	13.33	99
15+15+22+35+71	1.27	1.27	1.87	2.97	6.02	-	13.40 ( 3.50 - 15.60 )	3.03 ( 0.77 - 4.88 )	13.29	99
15+15+22+42+42	1.48	1.48	2.17	4.14	4.14	-	13.41 ( 3.50 - 15.60 )	3.04 ( 0.77 - 4.89 )	13.33	99
15+15+22+42+50	1.40	1.40	2.05	3.91	4.65	-	13.41 ( 3.50 - 15.60 )	3.03 ( 0.77 - 4.88 )	13.29	99
15+15+22+42+60	1.31	1.31	1.91	3.65	5.22	-	13.40 ( 3.50 - 15.60 )	3.03 ( 0.77 - 4.88 )	13.29	99
15+15+22+42+71	1.22	1.22	1.79	3.41	5.77	-	13.41 ( 3.50 - 15.60 )	3.02 ( 0.77 - 4.87 )	13.25	99
15+15+22+50+50	1.32	1.32	1.94	4.41	4.41	-	13.40 ( 3.50 - 15.60 )	3.02 ( 0.77 - 4.87 )	13.25	99
15+15+22+50+60	1.24	1.24	1.82	4.14	4.96	-	13.40 ( 3.50 - 15.60 )	3.06 ( 0.77 - 4.87 )	13.45	99
15+15+22+50+71	1.16	1.16	1.70	3.87	5.50	-	13.39 ( 3.50 - 15.60 )	3.06 ( 0.77 - 4.87 )	13.45	99
15+15+22+60+60	1.17	1.17	1.71	4.67	4.67	-	13.39 ( 3.50 - 15.60 )	3.06 ( 0.77 - 4.87 )	13.45	99
15+15+25+25+25	1.91	1.91	3.19	3.19	3.19	-	13.39 ( 3.50 - 15.60 )	3.05 ( 0.77 - 4.91 )	13.41	99
15+15+25+25+35	1.75	1.75	2.91	2.91	4.08	-	13.40 ( 3.50 - 15.60 )	3.05 ( 0.77 - 4.91 )	13.41	99
15+15+25+25+42	1.65	1.65	2.75	2.75	4.61	-	13.41 ( 3.50 - 15.60 )	3.05 ( 0.77 - 4.90 )	13.37	99
15+15+25+25+50	1.55	1.55	2.58	2.58	5.15	-	13.41 ( 3.50 - 15.60 )	3.04 ( 0.77 - 4.89 )	13.33	99
15+15+25+25+60	1.44	1.44	2.39	2.39	5.74	-	13.40 ( 3.50 - 15.60 )	3.04 ( 0.77 - 4.89 )	13.33	99
15+15+25+25+71	1.33	1.33	2.22	2.22	6.30	-	13.40 ( 3.50 - 15.60 )	3.03 ( 0.77 - 4.88 )	13.29	99
15+15+25+35+35	1.61	1.61	2.68	3.75	3.75	-	13.40 ( 3.50 - 15.60 )	3.05 ( 0.77 - 4.91 )	13.41	99
15+15+25+35+42	1.52	1.52	2.54	3.55	4.26	-	13.39 ( 3.50 - 15.60 )	3.05 ( 0.77 - 4.90 )	13.37	99
15+15+25+35+50	1.44	1.44	2.39	3.35	4.79	-	13.41 ( 3.50 - 15.60 )	3.04 ( 0.77 - 4.89 )	13.33	99
15+15+25+35+60	1.34	1.34	2.23	3.13	5.36	-	13.40 ( 3.50 - 15.60 )	3.03 ( 0.77 - 4.88 )	13.29	99
15+15+25+35+71	1.25	1.25	2.08	2.91	5.91	-	13.40 ( 3.50 - 15.60 )	3.03 ( 0.77 - 4.88 )	13.29	99
15+15+25+42+42	1.45	1.45	2.41	4.05	4.05	-	13.41 ( 3.50 - 15.60 )	3.04 ( 0.77 - 4.89 )	13.33	99
15+15+25+42+50	1.37	1.37	2.28	3.83	4.56	-	13.41 ( 3.50 - 15.60 )	3.03 ( 0.77 - 4.88 )	13.29	99
15+15+25+42+60	1.28	1.28	2.13	3.58	5.12	-	13.39 ( 3.50 - 15.60 )	3.02 ( 0.77 - 4.88 )	13.27	99
15+15+25+42+71	1.20	1.20	1.99	3.35	5.66	-	13.40 ( 3.50 - 15.60 )	3.02 ( 0.77 - 4.87 )	13.25	99
15+15+25+50+50	1.30	1.30	2.16	4.32	4.32	-	13.40 ( 3.50 - 15.60 )	3.02 ( 0.77 - 4.87 )	13.25	99
15+15+25+50+60	1.22	1.22	2.03	4.06	4.87	-	13.40 ( 3.50 - 15.60 )	3.06 ( 0.77 - 4.87 )	13.45	99
15+15+25+50+71	1.14	1.14	1.90	3.81	5.41	-	13.40 ( 3.50 - 15.60 )	3.06 ( 0.77 - 4.87 )	13.45	99
15+15+25+60+60	1.15	1.15	1.91	4.59	4.59	-	13.39 ( 3.50 - 15.60 )	3.06 ( 0.77 - 4.87 )	13.45	99
15+15+35+35+35	1.49	1.49	3.47	3.47	3.47	-	13.39 ( 3.50 - 15.60 )	3.05 ( 0.77 - 4.90 )	13.37	99
15+15+35+35+42	1.42	1.42	3.30	3.30	3.96	-	13.40 ( 3.50 - 15.60 )	3.05 ( 0.77 - 4.90 )	13.37	99
15+15+35+35+50	1.34	1.34	3.13	3.13	4.47	-	13.41 ( 3.50 - 15.60 )	3.04 ( 0.77 - 4.89 )	13.33	99
15+15+35+35+60	1.26	1.26	2.93	2.93	5.03	-	13.41 ( 3.50 - 15.60 )	3.03 ( 0.77 - 4.88 )	13.29	99
15+15+35+35+71	1.18	1.18	2.74	2.74	5.56	-	13.40 ( 3.50 - 15.60 )	3.03 ( 0.77 - 4.88 )	13.29	99
15+15+35+42+42	1.35	1.35	3.15	3.78	3.78	-	13.41 ( 3.50 - 15.60 )	3.04 ( 0.77 - 4.89 )	13.33	99
15+15+35+42+50	1.28	1.28	2.99	3.58	4.27	-	13.40 ( 3.50 - 15.60 )	3.03 ( 0.77 - 4.88 )	13.29	99

# MXZ-6D122VA HEATING

Indoor units combination	Heating Capacity (kW)							Outdoor unit power consumption (kW)	Current (A)	Power factor (%)
	Unit A	Unit B	Unit C	Unit D	Unit E	Unit F	Total			
15+15+35+42+60	1.20	1.20	2.81	3.37	4.81	-	13.39 ( 3.50 - 15.60 )	3.02 ( 0.77 - 4.87 )	13.25	99
15+15+35+42+71	1.13	1.13	2.63	3.16	5.34	-	13.39 ( 3.50 - 15.60 )	3.02 ( 0.77 - 4.87 )	13.25	99
15+15+35+50+50	1.22	1.22	2.84	4.06	4.06	-	13.40 ( 3.50 - 15.60 )	3.06 ( 0.77 - 4.87 )	13.45	99
15+15+35+50+60	1.15	1.15	2.68	3.83	4.59	-	13.40 ( 3.50 - 15.60 )	3.06 ( 0.77 - 4.87 )	13.45	99
15+15+42+42+42	1.29	1.29	3.61	3.61	3.61	-	13.41 ( 3.50 - 15.60 )	3.03 ( 0.77 - 4.88 )	13.29	99
15+15+42+42+50	1.23	1.23	3.43	3.43	4.09	-	13.41 ( 3.50 - 15.60 )	3.02 ( 0.77 - 4.87 )	13.25	99
15+15+42+42+60	1.16	1.16	3.23	3.23	4.62	-	13.40 ( 3.50 - 15.60 )	3.06 ( 0.77 - 4.87 )	13.45	99
15+15+42+50+50	1.17	1.17	3.27	3.90	3.90	-	13.41 ( 3.50 - 15.60 )	3.06 ( 0.77 - 4.87 )	13.45	99
15+15+50+50+50	1.12	1.12	3.72	3.72	3.72	-	13.40 ( 3.50 - 15.60 )	3.06 ( 0.77 - 4.87 )	13.45	99
15+18+18+18+18	2.31	2.77	2.77	2.77	2.77	-	13.39 ( 3.50 - 15.60 )	3.05 ( 0.77 - 4.91 )	13.41	99
15+18+18+18+20	2.24	2.69	2.69	2.69	2.99	-	13.30 ( 3.50 - 15.50 )	2.97 ( 0.77 - 4.80 )	13.06	99
15+18+18+18+22	2.21	2.65	2.65	2.65	3.24	-	13.40 ( 3.50 - 15.60 )	3.05 ( 0.77 - 4.91 )	13.41	99
15+18+18+18+25	2.14	2.57	2.57	2.57	3.56	-	13.41 ( 3.50 - 15.60 )	3.05 ( 0.77 - 4.91 )	13.41	99
15+18+18+18+35	1.93	2.32	2.32	2.32	4.51	-	13.40 ( 3.50 - 15.60 )	3.05 ( 0.77 - 4.90 )	13.37	99
15+18+18+18+42	1.81	2.17	2.17	2.17	5.07	-	13.39 ( 3.50 - 15.60 )	3.05 ( 0.77 - 4.90 )	13.37	99
15+18+18+18+50	1.69	2.03	2.03	2.03	5.63	-	13.41 ( 3.50 - 15.60 )	3.03 ( 0.77 - 4.88 )	13.29	99
15+18+18+18+60	1.56	1.87	1.87	1.87	6.23	-	13.40 ( 3.50 - 15.60 )	3.03 ( 0.77 - 4.88 )	13.29	99
15+18+18+18+71	1.44	1.72	1.72	1.72	6.80	-	13.40 ( 3.50 - 15.60 )	3.03 ( 0.77 - 4.88 )	13.29	99
15+18+18+20+20	2.16	2.59	2.59	2.88	2.88	-	13.10 ( 3.50 - 15.20 )	2.82 ( 0.77 - 4.46 )	12.38	99
15+18+18+20+22	2.15	2.57	2.57	2.86	3.15	-	13.30 ( 3.50 - 15.50 )	2.97 ( 0.77 - 4.80 )	13.06	99
15+18+18+20+25	2.09	2.51	2.51	2.79	3.49	-	13.39 ( 3.50 - 15.60 )	3.05 ( 0.77 - 4.91 )	13.41	99
15+18+18+20+35	1.90	2.28	2.28	2.53	4.42	-	13.41 ( 3.50 - 15.60 )	3.05 ( 0.77 - 4.91 )	13.41	99
15+18+18+20+42	1.78	2.13	2.13	2.37	4.98	-	13.39 ( 3.50 - 15.60 )	3.05 ( 0.77 - 4.90 )	13.37	99
15+18+18+20+50	1.66	1.99	1.99	2.21	5.54	-	13.39 ( 3.50 - 15.60 )	3.04 ( 0.77 - 4.89 )	13.33	99
15+18+18+20+60	1.53	1.84	1.84	2.05	6.14	-	13.40 ( 3.50 - 15.60 )	3.04 ( 0.77 - 4.89 )	13.33	99
15+18+18+20+71	1.42	1.70	1.70	1.89	6.70	-	13.41 ( 3.50 - 15.60 )	3.03 ( 0.77 - 4.88 )	13.29	99
15+18+18+22+22	2.12	2.54	2.54	3.10	3.10	-	13.40 ( 3.50 - 15.60 )	3.05 ( 0.77 - 4.91 )	13.41	99
15+18+18+22+25	2.05	2.46	2.46	3.01	3.42	-	13.40 ( 3.50 - 15.60 )	3.05 ( 0.77 - 4.91 )	13.41	99
15+18+18+22+35	1.86	2.23	2.23	2.73	4.34	-	13.39 ( 3.50 - 15.60 )	3.05 ( 0.77 - 4.90 )	13.37	99
15+18+18+22+42	1.75	2.10	2.10	2.56	4.89	-	13.40 ( 3.50 - 15.60 )	3.05 ( 0.77 - 4.90 )	13.37	99
15+18+18+22+50	1.63	1.96	1.96	2.40	5.45	-	13.40 ( 3.50 - 15.60 )	3.03 ( 0.77 - 4.88 )	13.29	99
15+18+18+22+60	1.51	1.81	1.81	2.22	6.05	-	13.40 ( 3.50 - 15.60 )	3.03 ( 0.77 - 4.88 )	13.29	99
15+18+18+22+71	1.40	1.68	1.68	2.05	6.61	-	13.42 ( 3.50 - 15.60 )	3.03 ( 0.77 - 4.88 )	13.29	99
15+18+18+25+25	1.99	2.39	2.39	3.32	3.32	-	13.41 ( 3.50 - 15.60 )	3.05 ( 0.77 - 4.90 )	13.37	99
15+18+18+25+35	1.81	2.17	2.17	3.02	4.23	-	13.40 ( 3.50 - 15.60 )	3.05 ( 0.77 - 4.90 )	13.37	99
15+18+18+25+42	1.70	2.04	2.04	2.84	4.77	-	13.39 ( 3.50 - 15.60 )	3.04 ( 0.77 - 4.90 )	13.35	99

# MXZ-6D122VA HEATING

Indoor units combination	Heating Capacity (kW)							Outdoor unit power consumption (kW)	Current (A)	Power factor (%)
	Unit A	Unit B	Unit C	Unit D	Unit E	Unit F	Total			
15+18+18+25+50	1.60	1.91	1.91	2.66	5.32	-	13.40 ( 3.50 - 15.60 )	3.03 ( 0.77 - 4.88 )	13.29	99
15+18+18+25+60	1.48	1.77	1.77	2.46	5.91	-	13.39 ( 3.50 - 15.60 )	3.03 ( 0.77 - 4.88 )	13.29	99
15+18+18+25+71	1.37	1.64	1.64	2.28	6.47	-	13.40 ( 3.50 - 15.60 )	3.02 ( 0.77 - 4.87 )	13.25	99
15+18+18+35+35	1.66	1.99	1.99	3.88	3.88	-	13.40 ( 3.50 - 15.60 )	3.05 ( 0.77 - 4.90 )	13.37	99
15+18+18+35+42	1.57	1.88	1.88	3.66	4.40	-	13.39 ( 3.50 - 15.60 )	3.04 ( 0.77 - 4.89 )	13.33	99
15+18+18+35+50	1.48	1.77	1.77	3.45	4.93	-	13.40 ( 3.50 - 15.60 )	3.03 ( 0.77 - 4.88 )	13.29	99
15+18+18+35+60	1.38	1.65	1.65	3.21	5.51	-	13.40 ( 3.50 - 15.60 )	3.03 ( 0.77 - 4.88 )	13.29	99
15+18+18+35+71	1.28	1.54	1.54	2.99	6.06	-	13.41 ( 3.50 - 15.60 )	3.02 ( 0.77 - 4.87 )	13.25	99
15+18+18+42+42	1.49	1.79	1.79	4.17	4.17	-	13.41 ( 3.50 - 15.60 )	3.03 ( 0.77 - 4.88 )	13.29	99
15+18+18+42+50	1.41	1.69	1.69	3.94	4.69	-	13.42 ( 3.50 - 15.60 )	3.02 ( 0.77 - 4.87 )	13.25	99
15+18+18+42+60	1.31	1.58	1.58	3.68	5.25	-	13.40 ( 3.50 - 15.60 )	3.06 ( 0.77 - 4.87 )	13.45	99
15+18+18+42+71	1.23	1.47	1.47	3.43	5.80	-	13.40 ( 3.50 - 15.60 )	3.06 ( 0.77 - 4.87 )	13.45	99
15+18+18+50+50	1.33	1.60	1.60	4.44	4.44	-	13.41 ( 3.50 - 15.60 )	3.06 ( 0.77 - 4.87 )	13.45	99
15+18+18+50+60	1.25	1.50	1.50	4.16	4.99	-	13.40 ( 3.50 - 15.60 )	3.06 ( 0.77 - 4.87 )	13.45	99
15+18+18+50+71	1.17	1.40	1.40	3.90	5.53	-	13.40 ( 3.50 - 15.60 )	3.06 ( 0.77 - 4.87 )	13.45	99
15+18+18+60+60	1.18	1.41	1.41	4.70	4.70	-	13.40 ( 3.50 - 15.60 )	3.06 ( 0.77 - 4.87 )	13.45	99
15+18+20+20+20	1.87	2.25	2.49	2.49	2.49	-	11.59 ( 3.40 - 15.00 )	2.69 ( 0.79 - 5.25 )	11.83	99
15+18+20+20+22	2.07	2.48	2.76	2.76	3.03	-	13.10 ( 3.50 - 15.20 )	2.82 ( 0.77 - 4.46 )	12.38	99
15+18+20+20+25	2.02	2.42	2.69	2.69	3.37	-	13.19 ( 3.50 - 15.30 )	2.90 ( 0.77 - 4.57 )	12.74	99
15+18+20+20+35	1.83	2.20	2.44	2.44	4.28	-	13.19 ( 3.50 - 15.40 )	2.90 ( 0.77 - 4.69 )	12.74	99
15+18+20+20+42	1.75	2.10	2.33	2.33	4.89	-	13.40 ( 3.50 - 15.60 )	3.05 ( 0.77 - 4.91 )	13.41	99
15+18+20+20+50	1.63	1.96	2.18	2.18	5.45	-	13.40 ( 3.50 - 15.60 )	3.05 ( 0.77 - 4.90 )	13.37	99
15+18+20+20+60	1.51	1.81	2.02	2.02	6.05	-	13.41 ( 3.50 - 15.60 )	3.04 ( 0.77 - 4.90 )	13.35	99
15+18+20+20+71	1.40	1.68	1.86	1.86	6.61	-	13.41 ( 3.50 - 15.60 )	3.04 ( 0.77 - 4.89 )	13.33	99
15+18+20+22+22	2.06	2.47	2.74	3.02	3.02	-	13.31 ( 3.50 - 15.50 )	2.97 ( 0.77 - 4.80 )	13.06	99
15+18+20+22+25	2.01	2.41	2.68	2.95	3.35	-	13.40 ( 3.50 - 15.60 )	3.05 ( 0.77 - 4.91 )	13.41	99
15+18+20+22+35	1.83	2.19	2.44	2.68	4.26	-	13.40 ( 3.50 - 15.60 )	3.05 ( 0.77 - 4.91 )	13.41	99
15+18+20+22+42	1.72	2.06	2.29	2.52	4.81	-	13.40 ( 3.50 - 15.60 )	3.05 ( 0.77 - 4.90 )	13.37	99
15+18+20+22+50	1.61	1.93	2.14	2.36	5.36	-	13.40 ( 3.50 - 15.60 )	3.04 ( 0.77 - 4.89 )	13.33	99
15+18+20+22+60	1.49	1.79	1.99	2.18	5.96	-	13.41 ( 3.50 - 15.60 )	3.04 ( 0.77 - 4.89 )	13.33	99
15+18+20+22+71	1.38	1.65	1.84	2.02	6.52	-	13.41 ( 3.50 - 15.60 )	3.03 ( 0.77 - 4.88 )	13.29	99
15+18+20+25+25	1.95	2.34	2.60	3.25	3.25	-	13.39 ( 3.50 - 15.60 )	3.05 ( 0.77 - 4.91 )	13.41	99
15+18+20+25+35	1.78	2.13	2.37	2.96	4.15	-	13.39 ( 3.50 - 15.60 )	3.05 ( 0.77 - 4.91 )	13.41	99
15+18+20+25+42	1.68	2.01	2.23	2.79	4.69	-	13.40 ( 3.50 - 15.60 )	3.05 ( 0.77 - 4.90 )	13.37	99
15+18+20+25+50	1.57	1.88	2.09	2.62	5.23	-	13.39 ( 3.50 - 15.60 )	3.04 ( 0.77 - 4.89 )	13.33	99
15+18+20+25+60	1.46	1.75	1.94	2.43	5.83	-	13.41 ( 3.50 - 15.60 )	3.03 ( 0.77 - 4.89 )	13.31	99

# MXZ-6D122VA HEATING

Indoor units combination	Heating Capacity (kW)							Outdoor unit power consumption (kW)	Current (A)	Power factor (%)
	Unit A	Unit B	Unit C	Unit D	Unit E	Unit F	Total			
15+18+20+25+71	1.35	1.62	1.80	2.25	6.39	-	13.41 ( 3.50 - 15.60 )	3.03 ( 0.77 - 4.88 )	13.29	99
15+18+20+35+35	1.63	1.96	2.18	3.81	3.81	-	13.39 ( 3.50 - 15.60 )	3.05 ( 0.77 - 4.91 )	13.41	99
15+18+20+35+42	1.55	1.86	2.06	3.61	4.33	-	13.41 ( 3.50 - 15.60 )	3.05 ( 0.77 - 4.90 )	13.37	99
15+18+20+35+50	1.46	1.75	1.94	3.40	4.86	-	13.41 ( 3.50 - 15.60 )	3.04 ( 0.77 - 4.89 )	13.33	99
15+18+20+35+60	1.36	1.63	1.81	3.17	5.43	-	13.40 ( 3.50 - 15.60 )	3.03 ( 0.77 - 4.88 )	13.29	99
15+18+20+35+71	1.26	1.52	1.69	2.95	5.98	-	13.40 ( 3.50 - 15.60 )	3.03 ( 0.77 - 4.88 )	13.29	99
15+18+20+42+42	1.47	1.76	1.96	4.11	4.11	-	13.41 ( 3.50 - 15.60 )	3.04 ( 0.77 - 4.89 )	13.33	99
15+18+20+42+50	1.39	1.66	1.85	3.88	4.62	-	13.40 ( 3.50 - 15.60 )	3.03 ( 0.77 - 4.88 )	13.29	99
15+18+20+42+60	1.30	1.56	1.73	3.63	5.19	-	13.41 ( 3.50 - 15.60 )	3.02 ( 0.77 - 4.87 )	13.25	99
15+18+20+42+71	1.21	1.45	1.61	3.39	5.73	-	13.39 ( 3.50 - 15.60 )	3.02 ( 0.77 - 4.87 )	13.25	99
15+18+20+50+50	1.31	1.58	1.75	4.38	4.38	-	13.40 ( 3.50 - 15.60 )	3.06 ( 0.77 - 4.87 )	13.45	99
15+18+20+50+60	1.23	1.48	1.64	4.11	4.93	-	13.39 ( 3.50 - 15.60 )	3.06 ( 0.77 - 4.87 )	13.45	99
15+18+20+50+71	1.16	1.39	1.54	3.85	5.47	-	13.41 ( 3.50 - 15.60 )	3.06 ( 0.77 - 4.87 )	13.45	99
15+18+20+60+60	1.16	1.39	1.55	4.65	4.65	-	13.40 ( 3.50 - 15.60 )	3.06 ( 0.77 - 4.87 )	13.45	99
15+18+22+22+22	2.03	2.44	2.98	2.98	2.98	-	13.41 ( 3.50 - 15.60 )	3.05 ( 0.77 - 4.91 )	13.41	99
15+18+22+22+25	1.97	2.36	2.89	2.89	3.28	-	13.39 ( 3.50 - 15.60 )	3.05 ( 0.77 - 4.91 )	13.41	99
15+18+22+22+35	1.79	2.15	2.63	2.63	4.19	-	13.39 ( 3.50 - 15.60 )	3.05 ( 0.77 - 4.90 )	13.37	99
15+18+22+22+42	1.69	2.03	2.48	2.48	4.73	-	13.41 ( 3.50 - 15.60 )	3.05 ( 0.77 - 4.90 )	13.37	99
15+18+22+22+50	1.58	1.90	2.32	2.32	5.28	-	13.40 ( 3.50 - 15.60 )	3.03 ( 0.77 - 4.88 )	13.29	99
15+18+22+22+60	1.47	1.76	2.15	2.15	5.87	-	13.40 ( 3.50 - 15.60 )	3.03 ( 0.77 - 4.88 )	13.29	99
15+18+22+22+71	1.36	1.63	1.99	1.99	6.43	-	13.40 ( 3.50 - 15.60 )	3.03 ( 0.77 - 4.88 )	13.29	99
15+18+22+25+25	1.91	2.30	2.81	3.19	3.19	-	13.40 ( 3.50 - 15.60 )	3.05 ( 0.77 - 4.90 )	13.37	99
15+18+22+25+35	1.75	2.10	2.56	2.91	4.08	-	13.40 ( 3.50 - 15.60 )	3.05 ( 0.77 - 4.90 )	13.37	99
15+18+22+25+42	1.65	1.98	2.42	2.75	4.61	-	13.41 ( 3.50 - 15.60 )	3.04 ( 0.77 - 4.90 )	13.35	99
15+18+22+25+50	1.55	1.86	2.27	2.58	5.15	-	13.41 ( 3.50 - 15.60 )	3.03 ( 0.77 - 4.88 )	13.29	99
15+18+22+25+60	1.44	1.72	2.11	2.39	5.74	-	13.40 ( 3.50 - 15.60 )	3.03 ( 0.77 - 4.88 )	13.29	99
15+18+22+25+71	1.33	1.60	1.95	2.22	6.30	-	13.40 ( 3.50 - 15.60 )	3.02 ( 0.77 - 4.87 )	13.25	99
15+18+22+35+35	1.61	1.93	2.36	3.75	3.75	-	13.40 ( 3.50 - 15.60 )	3.05 ( 0.77 - 4.90 )	13.37	99
15+18+22+35+42	1.52	1.83	2.23	3.55	4.26	-	13.39 ( 3.50 - 15.60 )	3.04 ( 0.77 - 4.89 )	13.33	99
15+18+22+35+50	1.44	1.72	2.11	3.35	4.79	-	13.41 ( 3.50 - 15.60 )	3.03 ( 0.77 - 4.88 )	13.29	99
15+18+22+35+60	1.34	1.61	1.97	3.13	5.36	-	13.41 ( 3.50 - 15.60 )	3.03 ( 0.77 - 4.88 )	13.29	99
15+18+22+35+71	1.25	1.50	1.83	2.91	5.91	-	13.40 ( 3.50 - 15.60 )	3.02 ( 0.77 - 4.87 )	13.25	99
15+18+22+42+42	1.45	1.74	2.12	4.05	4.05	-	13.41 ( 3.50 - 15.60 )	3.03 ( 0.77 - 4.88 )	13.29	99
15+18+22+42+50	1.37	1.64	2.01	3.83	4.56	-	13.41 ( 3.50 - 15.60 )	3.02 ( 0.77 - 4.87 )	13.25	99
15+18+22+42+60	1.28	1.54	1.88	3.58	5.12	-	13.40 ( 3.50 - 15.60 )	3.06 ( 0.77 - 4.87 )	13.45	99
15+18+22+42+71	1.20	1.44	1.75	3.35	5.66	-	13.40 ( 3.50 - 15.60 )	3.06 ( 0.77 - 4.87 )	13.45	99



# MXZ-6D122VA HEATING

Indoor units combination	Heating Capacity (kW)						Outdoor unit power consumption (kW)	Current (A)	Power factor (%)	
	Unit A	Unit B	Unit C	Unit D	Unit E	Unit F				Total
15+18+22+50+50	1.30	1.56	1.90	4.32	4.32	-	13.40 ( 3.50 - 15.60 )	3.06 ( 0.77 - 4.87 )	13.45	99
15+18+22+50+60	1.22	1.46	1.79	4.06	4.87	-	13.40 ( 3.50 - 15.60 )	3.06 ( 0.77 - 4.87 )	13.45	99
15+18+22+50+71	1.14	1.37	1.68	3.81	5.41	-	13.41 ( 3.50 - 15.60 )	3.06 ( 0.77 - 4.87 )	13.45	99
15+18+22+60+60	1.15	1.38	1.68	4.59	4.59	-	13.39 ( 3.50 - 15.60 )	3.06 ( 0.77 - 4.87 )	13.45	99
15+18+25+25+25	1.86	2.23	3.10	3.10	3.10	-	13.39 ( 3.50 - 15.60 )	3.05 ( 0.77 - 4.90 )	13.37	99
15+18+25+25+35	1.70	2.04	2.84	2.84	3.97	-	13.39 ( 3.50 - 15.60 )	3.05 ( 0.77 - 4.90 )	13.37	99
15+18+25+25+42	1.61	1.93	2.68	2.68	4.50	-	13.40 ( 3.50 - 15.60 )	3.04 ( 0.77 - 4.89 )	13.33	99
15+18+25+25+50	1.51	1.81	2.52	2.52	5.04	-	13.40 ( 3.50 - 15.60 )	3.03 ( 0.77 - 4.88 )	13.29	99
15+18+25+25+60	1.41	1.69	2.34	2.34	5.62	-	13.40 ( 3.50 - 15.60 )	3.03 ( 0.77 - 4.88 )	13.29	99
15+18+25+25+71	1.31	1.57	2.18	2.18	6.18	-	13.42 ( 3.50 - 15.60 )	3.02 ( 0.77 - 4.87 )	13.25	99
15+18+25+35+35	1.57	1.88	2.62	3.66	3.66	-	13.39 ( 3.50 - 15.60 )	3.05 ( 0.77 - 4.90 )	13.37	99
15+18+25+35+42	1.49	1.79	2.48	3.47	4.17	-	13.40 ( 3.50 - 15.60 )	3.04 ( 0.77 - 4.89 )	13.33	99
15+18+25+35+50	1.41	1.69	2.34	3.28	4.69	-	13.41 ( 3.50 - 15.60 )	3.03 ( 0.77 - 4.88 )	13.29	99
15+18+25+35+60	1.31	1.58	2.19	3.07	5.25	-	13.40 ( 3.50 - 15.60 )	3.02 ( 0.77 - 4.87 )	13.25	99
15+18+25+35+71	1.23	1.47	2.04	2.86	5.80	-	13.40 ( 3.50 - 15.60 )	3.02 ( 0.77 - 4.87 )	13.25	99
15+18+25+42+42	1.42	1.70	2.36	3.96	3.96	-	13.40 ( 3.50 - 15.60 )	3.03 ( 0.77 - 4.88 )	13.29	99
15+18+25+42+50	1.34	1.61	2.23	3.75	4.47	-	13.40 ( 3.50 - 15.60 )	3.02 ( 0.77 - 4.87 )	13.25	99
15+18+25+42+60	1.26	1.51	2.09	3.52	5.03	-	13.41 ( 3.50 - 15.60 )	3.06 ( 0.77 - 4.87 )	13.45	99
15+18+25+42+71	1.18	1.41	1.96	3.29	5.56	-	13.40 ( 3.50 - 15.60 )	3.06 ( 0.77 - 4.87 )	13.45	99
15+18+25+50+50	1.27	1.53	2.12	4.24	4.24	-	13.40 ( 3.50 - 15.60 )	3.06 ( 0.77 - 4.87 )	13.45	99
15+18+25+50+60	1.20	1.44	1.99	3.99	4.79	-	13.41 ( 3.50 - 15.60 )	3.06 ( 0.77 - 4.87 )	13.45	99
15+18+25+50+71	1.12	1.35	1.87	3.74	5.32	-	13.40 ( 3.50 - 15.60 )	3.06 ( 0.77 - 4.87 )	13.45	99
15+18+25+60+60	1.13	1.36	1.88	4.52	4.52	-	13.41 ( 3.50 - 15.60 )	3.06 ( 0.77 - 4.87 )	13.45	99
15+18+35+35+35	1.46	1.75	3.40	3.40	3.40	-	13.41 ( 3.50 - 15.60 )	3.05 ( 0.77 - 4.90 )	13.37	99
15+18+35+35+42	1.39	1.66	3.23	3.23	3.88	-	13.39 ( 3.50 - 15.60 )	3.04 ( 0.77 - 4.89 )	13.33	99
15+18+35+35+50	1.31	1.58	3.07	3.07	4.38	-	13.41 ( 3.50 - 15.60 )	3.03 ( 0.77 - 4.88 )	13.29	99
15+18+35+35+60	1.23	1.48	2.88	2.88	4.93	-	13.40 ( 3.50 - 15.60 )	3.02 ( 0.77 - 4.87 )	13.25	99
15+18+35+35+71	1.16	1.39	2.70	2.70	5.47	-	13.42 ( 3.50 - 15.60 )	3.06 ( 0.77 - 4.87 )	13.45	99
15+18+35+42+42	1.32	1.59	3.09	3.70	3.70	-	13.40 ( 3.50 - 15.60 )	3.03 ( 0.77 - 4.88 )	13.29	99
15+18+35+42+50	1.26	1.51	2.93	3.52	4.19	-	13.41 ( 3.50 - 15.60 )	3.06 ( 0.77 - 4.87 )	13.45	99
15+18+35+42+60	1.18	1.42	2.76	3.31	4.73	-	13.40 ( 3.50 - 15.60 )	3.06 ( 0.77 - 4.87 )	13.45	99
15+18+35+50+50	1.20	1.44	2.79	3.99	3.99	-	13.41 ( 3.50 - 15.60 )	3.06 ( 0.77 - 4.87 )	13.45	99
15+18+35+50+60	1.13	1.36	2.63	3.76	4.52	-	13.40 ( 3.50 - 15.60 )	3.06 ( 0.77 - 4.87 )	13.45	99
15+18+42+42+42	1.26	1.52	3.54	3.54	3.54	-	13.40 ( 3.50 - 15.60 )	3.02 ( 0.77 - 4.87 )	13.25	99
15+18+42+42+50	1.20	1.44	3.37	3.37	4.01	-	13.39 ( 3.50 - 15.60 )	3.06 ( 0.77 - 4.87 )	13.45	99
15+18+42+42+60	1.14	1.36	3.18	3.18	4.54	-	13.40 ( 3.50 - 15.60 )	3.06 ( 0.77 - 4.87 )	13.45	99

# MXZ-6D122VA HEATING

Indoor units combination	Heating Capacity (kW)							Outdoor unit power consumption (kW)	Current (A)	Power factor (%)
	Unit A	Unit B	Unit C	Unit D	Unit E	Unit F	Total			
15+18+42+50+50	1.15	1.38	3.22	3.83	3.83	-	13.41 ( 3.50 - 15.60 )	3.06 ( 0.77 - 4.87 )	13.45	99
15+20+20+20+20	1.66	2.21	2.21	2.21	2.21	-	10.50 ( 3.40 - 14.70 )	2.46 ( 0.80 - 5.56 )	10.80	99
15+20+20+20+22	1.79	2.39	2.39	2.39	2.63	-	11.59 ( 3.40 - 15.00 )	2.69 ( 0.79 - 5.25 )	11.83	99
15+20+20+20+25	1.79	2.38	2.38	2.38	2.98	-	11.91 ( 3.50 - 15.10 )	2.72 ( 0.79 - 5.12 )	11.94	99
15+20+20+20+35	1.68	2.24	2.24	2.24	3.91	-	12.31 ( 3.50 - 15.10 )	2.75 ( 0.78 - 4.85 )	12.07	99
15+20+20+20+42	1.71	2.27	2.27	2.27	4.77	-	13.29 ( 3.50 - 15.50 )	2.97 ( 0.77 - 4.80 )	13.06	99
15+20+20+20+50	1.61	2.14	2.14	2.14	5.36	-	13.39 ( 3.50 - 15.60 )	3.05 ( 0.77 - 4.90 )	13.37	99
15+20+20+20+60	1.49	1.99	1.99	1.99	5.96	-	13.42 ( 3.50 - 15.60 )	3.05 ( 0.77 - 4.90 )	13.37	99
15+20+20+20+71	1.38	1.84	1.84	1.84	6.52	-	13.42 ( 3.50 - 15.60 )	3.05 ( 0.77 - 4.90 )	13.37	99
15+20+20+22+22	1.98	2.65	2.65	2.91	2.91	-	13.10 ( 3.50 - 15.20 )	2.82 ( 0.77 - 4.46 )	12.38	99
15+20+20+22+25	1.94	2.59	2.59	2.85	3.24	-	13.21 ( 3.50 - 15.30 )	2.90 ( 0.77 - 4.57 )	12.74	99
15+20+20+22+35	1.77	2.36	2.36	2.59	4.13	-	13.21 ( 3.50 - 15.40 )	2.90 ( 0.77 - 4.69 )	12.74	99
15+20+20+22+42	1.69	2.25	2.25	2.48	4.73	-	13.40 ( 3.50 - 15.60 )	3.05 ( 0.77 - 4.91 )	13.41	99
15+20+20+22+50	1.58	2.11	2.11	2.32	5.28	-	13.40 ( 3.50 - 15.60 )	3.05 ( 0.77 - 4.90 )	13.37	99
15+20+20+22+60	1.47	1.96	1.96	2.15	5.87	-	13.41 ( 3.50 - 15.60 )	3.04 ( 0.77 - 4.90 )	13.35	99
15+20+20+22+71	1.36	1.81	1.81	1.99	6.43	-	13.40 ( 3.50 - 15.60 )	3.04 ( 0.77 - 4.89 )	13.33	99
15+20+20+25+25	1.89	2.51	2.51	3.14	3.14	-	13.19 ( 3.50 - 15.40 )	2.90 ( 0.77 - 4.69 )	12.74	99
15+20+20+25+35	1.73	2.31	2.31	2.89	4.05	-	13.29 ( 3.50 - 15.50 )	2.97 ( 0.77 - 4.80 )	13.06	99
15+20+20+25+42	1.65	2.20	2.20	2.75	4.61	-	13.41 ( 3.50 - 15.60 )	3.05 ( 0.77 - 4.91 )	13.41	99
15+20+20+25+50	1.55	2.06	2.06	2.58	5.15	-	13.40 ( 3.50 - 15.60 )	3.05 ( 0.77 - 4.90 )	13.37	99
15+20+20+25+60	1.44	1.91	1.91	2.39	5.74	-	13.39 ( 3.50 - 15.60 )	3.04 ( 0.77 - 4.89 )	13.33	99
15+20+20+25+71	1.33	1.77	1.77	2.22	6.30	-	13.39 ( 3.50 - 15.60 )	3.04 ( 0.77 - 4.89 )	13.33	99
15+20+20+35+35	1.61	2.14	2.14	3.75	3.75	-	13.39 ( 3.50 - 15.60 )	3.05 ( 0.77 - 4.91 )	13.41	99
15+20+20+35+42	1.52	2.03	2.03	3.55	4.26	-	13.39 ( 3.50 - 15.60 )	3.05 ( 0.77 - 4.90 )	13.37	99
15+20+20+35+50	1.44	1.91	1.91	3.35	4.79	-	13.40 ( 3.50 - 15.60 )	3.04 ( 0.77 - 4.90 )	13.35	99
15+20+20+35+60	1.34	1.79	1.79	3.13	5.36	-	13.41 ( 3.50 - 15.60 )	3.04 ( 0.77 - 4.89 )	13.33	99
15+20+20+35+71	1.25	1.66	1.66	2.91	5.91	-	13.39 ( 3.50 - 15.60 )	3.03 ( 0.77 - 4.89 )	13.31	99
15+20+20+42+42	1.45	1.93	1.93	4.05	4.05	-	13.41 ( 3.50 - 15.60 )	3.05 ( 0.77 - 4.90 )	13.37	99
15+20+20+42+50	1.37	1.82	1.82	3.83	4.56	-	13.40 ( 3.50 - 15.60 )	3.04 ( 0.77 - 4.89 )	13.33	99
15+20+20+42+60	1.28	1.71	1.71	3.58	5.12	-	13.40 ( 3.50 - 15.60 )	3.03 ( 0.77 - 4.88 )	13.29	99
15+20+20+42+71	1.20	1.60	1.60	3.35	5.66	-	13.41 ( 3.50 - 15.60 )	3.03 ( 0.77 - 4.88 )	13.29	99
15+20+20+50+50	1.30	1.73	1.73	4.32	4.32	-	13.40 ( 3.50 - 15.60 )	3.02 ( 0.77 - 4.87 )	13.25	99
15+20+20+50+60	1.22	1.62	1.62	4.06	4.87	-	13.39 ( 3.50 - 15.60 )	3.02 ( 0.77 - 4.87 )	13.25	99
15+20+20+50+71	1.14	1.52	1.52	3.81	5.41	-	13.40 ( 3.50 - 15.60 )	3.06 ( 0.77 - 4.87 )	13.45	99
15+20+20+60+60	1.15	1.53	1.53	4.59	4.59	-	13.39 ( 3.50 - 15.60 )	3.06 ( 0.77 - 4.87 )	13.45	99
15+20+22+22+22	1.98	2.63	2.90	2.90	2.90	-	13.31 ( 3.50 - 15.50 )	2.97 ( 0.77 - 4.80 )	13.06	99

# MXZ-6D122VA HEATING

Indoor units combination	Heating Capacity (kW)							Outdoor unit power consumption (kW)	Current (A)	Power factor (%)
	Unit A	Unit B	Unit C	Unit D	Unit E	Unit F	Total			
15+20+22+22+25	1.93	2.58	2.83	2.83	3.22	-	13.39 ( 3.50 - 15.60 )	3.05 ( 0.77 - 4.91 )	13.41	99
15+20+22+22+35	1.76	2.35	2.59	2.59	4.11	-	13.40 ( 3.50 - 15.60 )	3.05 ( 0.77 - 4.91 )	13.41	99
15+20+22+22+42	1.66	2.21	2.44	2.44	4.65	-	13.40 ( 3.50 - 15.60 )	3.05 ( 0.77 - 4.90 )	13.37	99
15+20+22+22+50	1.56	2.08	2.29	2.29	5.19	-	13.41 ( 3.50 - 15.60 )	3.04 ( 0.77 - 4.89 )	13.33	99
15+20+22+22+60	1.45	1.93	2.12	2.12	5.78	-	13.40 ( 3.50 - 15.60 )	3.04 ( 0.77 - 4.89 )	13.33	99
15+20+22+22+71	1.34	1.79	1.97	1.97	6.34	-	13.41 ( 3.50 - 15.60 )	3.03 ( 0.77 - 4.88 )	13.29	99
15+20+22+25+25	1.88	2.50	2.76	3.13	3.13	-	13.40 ( 3.50 - 15.60 )	3.05 ( 0.77 - 4.91 )	13.41	99
15+20+22+25+35	1.72	2.29	2.52	2.86	4.01	-	13.40 ( 3.50 - 15.60 )	3.05 ( 0.77 - 4.91 )	13.41	99
15+20+22+25+42	1.62	2.16	2.38	2.70	4.54	-	13.40 ( 3.50 - 15.60 )	3.05 ( 0.77 - 4.90 )	13.37	99
15+20+22+25+50	1.52	2.03	2.23	2.54	5.08	-	13.40 ( 3.50 - 15.60 )	3.04 ( 0.77 - 4.89 )	13.33	99
15+20+22+25+60	1.42	1.89	2.08	2.36	5.66	-	13.41 ( 3.50 - 15.60 )	3.03 ( 0.77 - 4.89 )	13.31	99
15+20+22+25+71	1.31	1.75	1.93	2.19	6.22	-	13.40 ( 3.50 - 15.60 )	3.03 ( 0.77 - 4.88 )	13.29	99
15+20+22+35+35	1.58	2.11	2.32	3.69	3.69	-	13.39 ( 3.50 - 15.60 )	3.05 ( 0.77 - 4.91 )	13.41	99
15+20+22+35+42	1.50	2.00	2.20	3.50	4.20	-	13.40 ( 3.50 - 15.60 )	3.05 ( 0.77 - 4.90 )	13.37	99
15+20+22+35+50	1.42	1.89	2.08	3.30	4.72	-	13.41 ( 3.50 - 15.60 )	3.04 ( 0.77 - 4.89 )	13.33	99
15+20+22+35+60	1.32	1.76	1.94	3.09	5.29	-	13.40 ( 3.50 - 15.60 )	3.03 ( 0.77 - 4.88 )	13.29	99
15+20+22+35+71	1.23	1.64	1.81	2.88	5.84	-	13.40 ( 3.50 - 15.60 )	3.03 ( 0.77 - 4.88 )	13.29	99
15+20+22+42+42	1.43	1.90	2.09	3.99	3.99	-	13.40 ( 3.50 - 15.60 )	3.04 ( 0.77 - 4.89 )	13.33	99
15+20+22+42+50	1.35	1.80	1.98	3.78	4.50	-	13.41 ( 3.50 - 15.60 )	3.03 ( 0.77 - 4.88 )	13.29	99
15+20+22+42+60	1.26	1.69	1.85	3.54	5.06	-	13.40 ( 3.50 - 15.60 )	3.02 ( 0.77 - 4.87 )	13.25	99
15+20+22+42+71	1.18	1.58	1.73	3.31	5.60	-	13.40 ( 3.50 - 15.60 )	3.02 ( 0.77 - 4.87 )	13.25	99
15+20+22+50+50	1.28	1.71	1.88	4.27	4.27	-	13.41 ( 3.50 - 15.60 )	3.06 ( 0.77 - 4.87 )	13.45	99
15+20+22+50+60	1.20	1.60	1.77	4.01	4.81	-	13.39 ( 3.50 - 15.60 )	3.06 ( 0.77 - 4.87 )	13.45	99
15+20+22+50+71	1.13	1.51	1.66	3.76	5.34	-	13.40 ( 3.50 - 15.60 )	3.06 ( 0.77 - 4.87 )	13.45	99
15+20+22+60+60	1.14	1.51	1.67	4.54	4.54	-	13.40 ( 3.50 - 15.60 )	3.06 ( 0.77 - 4.87 )	13.45	99
15+20+25+25+25	1.83	2.44	3.05	3.05	3.05	-	13.42 ( 3.50 - 15.60 )	3.05 ( 0.77 - 4.91 )	13.41	99
15+20+25+25+35	1.68	2.23	2.79	2.79	3.91	-	13.40 ( 3.50 - 15.60 )	3.05 ( 0.77 - 4.91 )	13.41	99
15+20+25+25+42	1.58	2.11	2.64	2.64	4.43	-	13.40 ( 3.50 - 15.60 )	3.05 ( 0.77 - 4.90 )	13.37	99
15+20+25+25+50	1.49	1.99	2.48	2.48	4.96	-	13.40 ( 3.50 - 15.60 )	3.04 ( 0.77 - 4.89 )	13.33	99
15+20+25+25+60	1.39	1.85	2.31	2.31	5.54	-	13.40 ( 3.50 - 15.60 )	3.03 ( 0.77 - 4.88 )	13.29	99
15+20+25+25+71	1.29	1.72	2.15	2.15	6.10	-	13.41 ( 3.50 - 15.60 )	3.03 ( 0.77 - 4.88 )	13.29	99
15+20+25+35+35	1.55	2.06	2.58	3.61	3.61	-	13.41 ( 3.50 - 15.60 )	3.05 ( 0.77 - 4.90 )	13.37	99
15+20+25+35+42	1.47	1.96	2.45	3.42	4.11	-	13.41 ( 3.50 - 15.60 )	3.05 ( 0.77 - 4.90 )	13.37	99
15+20+25+35+50	1.39	1.85	2.31	3.23	4.62	-	13.40 ( 3.50 - 15.60 )	3.04 ( 0.77 - 4.89 )	13.33	99
15+20+25+35+60	1.30	1.73	2.16	3.03	5.19	-	13.41 ( 3.50 - 15.60 )	3.03 ( 0.77 - 4.88 )	13.29	99
15+20+25+35+71	1.21	1.61	2.02	2.83	5.73	-	13.40 ( 3.50 - 15.60 )	3.03 ( 0.77 - 4.88 )	13.29	99

# MXZ-6D122VA HEATING

Indoor units combination	Heating Capacity (kW)							Outdoor unit power consumption (kW)	Current (A)	Power factor (%)
	Unit A	Unit B	Unit C	Unit D	Unit E	Unit F	Total			
15+20+25+42+42	1.40	1.86	2.33	3.91	3.91	-	13.41 ( 3.50 - 15.60 )	3.04 ( 0.77 - 4.89 )	13.33	99
15+20+25+42+50	1.32	1.76	2.20	3.70	4.41	-	13.39 ( 3.50 - 15.60 )	3.03 ( 0.77 - 4.88 )	13.29	99
15+20+25+42+60	1.24	1.65	2.07	3.47	4.96	-	13.39 ( 3.50 - 15.60 )	3.02 ( 0.77 - 4.87 )	13.25	99
15+20+25+42+71	1.16	1.55	1.94	3.25	5.50	-	13.40 ( 3.50 - 15.60 )	3.02 ( 0.77 - 4.87 )	13.25	99
15+20+25+50+50	1.26	1.68	2.09	4.19	4.19	-	13.41 ( 3.50 - 15.60 )	3.06 ( 0.77 - 4.87 )	13.45	99
15+20+25+50+60	1.18	1.58	1.97	3.94	4.73	-	13.40 ( 3.50 - 15.60 )	3.06 ( 0.77 - 4.87 )	13.45	99
15+20+25+60+60	1.12	1.49	1.86	4.47	4.47	-	13.41 ( 3.50 - 15.60 )	3.06 ( 0.77 - 4.87 )	13.45	99
15+20+35+35+35	1.44	1.91	3.35	3.35	3.35	-	13.40 ( 3.50 - 15.60 )	3.05 ( 0.77 - 4.90 )	13.37	99
15+20+35+35+42	1.37	1.82	3.19	3.19	3.83	-	13.40 ( 3.50 - 15.60 )	3.04 ( 0.77 - 4.90 )	13.35	99
15+20+35+35+50	1.30	1.73	3.03	3.03	4.32	-	13.41 ( 3.50 - 15.60 )	3.03 ( 0.77 - 4.88 )	13.29	99
15+20+35+35+60	1.22	1.62	2.84	2.84	4.87	-	13.39 ( 3.50 - 15.60 )	3.03 ( 0.77 - 4.88 )	13.29	99
15+20+35+35+71	1.14	1.52	2.66	2.66	5.41	-	13.39 ( 3.50 - 15.60 )	3.02 ( 0.77 - 4.87 )	13.25	99
15+20+35+42+42	1.31	1.74	3.05	3.65	3.65	-	13.40 ( 3.50 - 15.60 )	3.03 ( 0.77 - 4.89 )	13.31	99
15+20+35+42+50	1.24	1.65	2.90	3.47	4.14	-	13.40 ( 3.50 - 15.60 )	3.02 ( 0.77 - 4.87 )	13.25	99
15+20+35+42+60	1.17	1.56	2.73	3.27	4.67	-	13.40 ( 3.50 - 15.60 )	3.02 ( 0.77 - 4.87 )	13.25	99
15+20+35+50+50	1.18	1.58	2.76	3.94	3.94	-	13.40 ( 3.50 - 15.60 )	3.06 ( 0.77 - 4.87 )	13.45	99
15+20+35+50+60	1.12	1.49	2.61	3.72	4.47	-	13.41 ( 3.50 - 15.60 )	3.06 ( 0.77 - 4.87 )	13.45	99
15+20+42+42+42	1.25	1.66	3.50	3.50	3.50	-	13.41 ( 3.50 - 15.60 )	3.03 ( 0.77 - 4.88 )	13.29	99
15+20+42+42+50	1.19	1.59	3.33	3.33	3.96	-	13.40 ( 3.50 - 15.60 )	3.06 ( 0.77 - 4.87 )	13.45	99
15+20+42+42+60	1.12	1.50	3.14	3.14	4.49	-	13.39 ( 3.50 - 15.60 )	3.06 ( 0.77 - 4.87 )	13.45	99
15+20+42+50+50	1.14	1.51	3.18	3.79	3.79	-	13.41 ( 3.50 - 15.60 )	3.06 ( 0.77 - 4.87 )	13.45	99
15+22+22+22+22	1.95	2.86	2.86	2.86	2.86	-	13.39 ( 3.50 - 15.60 )	3.05 ( 0.77 - 4.91 )	13.41	99
15+22+22+22+25	1.90	2.78	2.78	2.78	3.16	-	13.40 ( 3.50 - 15.60 )	3.05 ( 0.77 - 4.91 )	13.41	99
15+22+22+22+35	1.73	2.54	2.54	2.54	4.04	-	13.39 ( 3.50 - 15.60 )	3.05 ( 0.77 - 4.90 )	13.37	99
15+22+22+22+42	1.63	2.40	2.40	2.40	4.58	-	13.41 ( 3.50 - 15.60 )	3.05 ( 0.77 - 4.90 )	13.37	99
15+22+22+22+50	1.53	2.25	2.25	2.25	5.11	-	13.39 ( 3.50 - 15.60 )	3.03 ( 0.77 - 4.88 )	13.29	99
15+22+22+22+60	1.43	2.09	2.09	2.09	5.70	-	13.40 ( 3.50 - 15.60 )	3.03 ( 0.77 - 4.88 )	13.29	99
15+22+22+22+71	1.32	1.94	1.94	1.94	6.26	-	13.40 ( 3.50 - 15.60 )	3.03 ( 0.77 - 4.88 )	13.29	99
15+22+22+25+25	1.84	2.70	2.70	3.07	3.07	-	13.38 ( 3.50 - 15.60 )	3.05 ( 0.77 - 4.90 )	13.37	99
15+22+22+25+35	1.69	2.48	2.48	2.82	3.94	-	13.41 ( 3.50 - 15.60 )	3.05 ( 0.77 - 4.90 )	13.37	99
15+22+22+25+42	1.60	2.34	2.34	2.66	4.47	-	13.41 ( 3.50 - 15.60 )	3.04 ( 0.77 - 4.90 )	13.35	99
15+22+22+25+50	1.50	2.20	2.20	2.50	5.00	-	13.40 ( 3.50 - 15.60 )	3.03 ( 0.77 - 4.88 )	13.29	99
15+22+22+25+60	1.40	2.05	2.05	2.33	5.58	-	13.41 ( 3.50 - 15.60 )	3.03 ( 0.77 - 4.88 )	13.29	99
15+22+22+25+71	1.30	1.90	1.90	2.16	6.14	-	13.40 ( 3.50 - 15.60 )	3.02 ( 0.77 - 4.87 )	13.25	99
15+22+22+35+35	1.56	2.29	2.29	3.64	3.64	-	13.42 ( 3.50 - 15.60 )	3.05 ( 0.77 - 4.90 )	13.37	99
15+22+22+35+42	1.48	2.17	2.17	3.45	4.14	-	13.41 ( 3.50 - 15.60 )	3.04 ( 0.77 - 4.89 )	13.33	99

# MXZ-6D122VA HEATING

Indoor units combination	Heating Capacity (kW)						Outdoor unit power consumption (kW)	Current (A)	Power factor (%)	
	Unit A	Unit B	Unit C	Unit D	Unit E	Unit F				Total
15+22+22+35+50	1.40	2.05	2.05	3.26	4.65	-	13.41 ( 3.50 - 15.60 )	3.03 ( 0.77 - 4.88 )	13.29	99
15+22+22+35+60	1.31	1.91	1.91	3.05	5.22	-	13.40 ( 3.50 - 15.60 )	3.03 ( 0.77 - 4.88 )	13.29	99
15+22+22+35+71	1.22	1.79	1.79	2.84	5.77	-	13.41 ( 3.50 - 15.60 )	3.02 ( 0.77 - 4.87 )	13.25	99
15+22+22+42+42	1.41	2.06	2.06	3.94	3.94	-	13.41 ( 3.50 - 15.60 )	3.03 ( 0.77 - 4.88 )	13.29	99
15+22+22+42+50	1.33	1.95	1.95	3.73	4.44	-	13.40 ( 3.50 - 15.60 )	3.02 ( 0.77 - 4.87 )	13.25	99
15+22+22+42+60	1.25	1.83	1.83	3.50	4.99	-	13.40 ( 3.50 - 15.60 )	3.06 ( 0.77 - 4.87 )	13.45	99
15+22+22+42+71	1.17	1.71	1.71	3.27	5.53	-	13.39 ( 3.50 - 15.60 )	3.06 ( 0.77 - 4.87 )	13.45	99
15+22+22+50+50	1.26	1.85	1.85	4.21	4.21	-	13.38 ( 3.50 - 15.60 )	3.06 ( 0.77 - 4.87 )	13.45	99
15+22+22+50+60	1.19	1.74	1.74	3.96	4.76	-	13.39 ( 3.50 - 15.60 )	3.06 ( 0.77 - 4.87 )	13.45	99
15+22+22+50+71	1.12	1.64	1.64	3.72	5.29	-	13.41 ( 3.50 - 15.60 )	3.06 ( 0.77 - 4.87 )	13.45	99
15+22+22+60+60	1.12	1.65	1.65	4.49	4.49	-	13.40 ( 3.50 - 15.60 )	3.06 ( 0.77 - 4.87 )	13.45	99
15+22+25+25+25	1.79	2.63	2.99	2.99	2.99	-	13.39 ( 3.50 - 15.60 )	3.05 ( 0.77 - 4.90 )	13.37	99
15+22+25+25+35	1.65	2.42	2.75	2.75	3.84	-	13.41 ( 3.50 - 15.60 )	3.05 ( 0.77 - 4.90 )	13.37	99
15+22+25+25+42	1.56	2.29	2.60	2.60	4.36	-	13.41 ( 3.50 - 15.60 )	3.04 ( 0.77 - 4.89 )	13.33	99
15+22+25+25+50	1.47	2.15	2.45	2.45	4.89	-	13.41 ( 3.50 - 15.60 )	3.03 ( 0.77 - 4.88 )	13.29	99
15+22+25+25+60	1.37	2.01	2.28	2.28	5.47	-	13.41 ( 3.50 - 15.60 )	3.03 ( 0.77 - 4.88 )	13.29	99
15+22+25+25+71	1.27	1.87	2.12	2.12	6.02	-	13.40 ( 3.50 - 15.60 )	3.02 ( 0.77 - 4.87 )	13.25	99
15+22+25+35+35	1.52	2.23	2.54	3.55	3.55	-	13.39 ( 3.50 - 15.60 )	3.05 ( 0.77 - 4.90 )	13.37	99
15+22+25+35+42	1.45	2.12	2.41	3.37	4.05	-	13.40 ( 3.50 - 15.60 )	3.04 ( 0.77 - 4.89 )	13.33	99
15+22+25+35+50	1.37	2.01	2.28	3.19	4.56	-	13.41 ( 3.50 - 15.60 )	3.03 ( 0.77 - 4.88 )	13.29	99
15+22+25+35+60	1.28	1.88	2.13	2.99	5.12	-	13.40 ( 3.50 - 15.60 )	3.02 ( 0.77 - 4.87 )	13.25	99
15+22+25+35+71	1.20	1.75	1.99	2.79	5.66	-	13.39 ( 3.50 - 15.60 )	3.02 ( 0.77 - 4.87 )	13.25	99
15+22+25+42+42	1.38	2.02	2.29	3.85	3.85	-	13.39 ( 3.50 - 15.60 )	3.03 ( 0.77 - 4.88 )	13.29	99
15+22+25+42+50	1.31	1.91	2.18	3.65	4.35	-	13.40 ( 3.50 - 15.60 )	3.02 ( 0.77 - 4.87 )	13.25	99
15+22+25+42+60	1.23	1.80	2.04	3.43	4.90	-	13.40 ( 3.50 - 15.60 )	3.06 ( 0.77 - 4.87 )	13.45	99
15+22+25+42+71	1.15	1.68	1.91	3.22	5.44	-	13.40 ( 3.50 - 15.60 )	3.06 ( 0.77 - 4.87 )	13.45	99
15+22+25+50+50	1.24	1.82	2.07	4.14	4.14	-	13.41 ( 3.50 - 15.60 )	3.06 ( 0.77 - 4.87 )	13.45	99
15+22+25+50+60	1.17	1.71	1.95	3.90	4.67	-	13.40 ( 3.50 - 15.60 )	3.06 ( 0.77 - 4.87 )	13.45	99
15+22+35+35+35	1.42	2.08	3.30	3.30	3.30	-	13.40 ( 3.50 - 15.60 )	3.05 ( 0.77 - 4.90 )	13.37	99
15+22+35+35+42	1.35	1.98	3.15	3.15	3.78	-	13.41 ( 3.50 - 15.60 )	3.04 ( 0.77 - 4.89 )	13.33	99
15+22+35+35+50	1.28	1.88	2.99	2.99	4.27	-	13.41 ( 3.50 - 15.60 )	3.03 ( 0.77 - 4.88 )	13.29	99
15+22+35+35+60	1.20	1.77	2.81	2.81	4.81	-	13.40 ( 3.50 - 15.60 )	3.02 ( 0.77 - 4.87 )	13.25	99
15+22+35+35+71	1.13	1.66	2.63	2.63	5.34	-	13.39 ( 3.50 - 15.60 )	3.06 ( 0.77 - 4.87 )	13.45	99
15+22+35+42+42	1.29	1.89	3.01	3.61	3.61	-	13.41 ( 3.50 - 15.60 )	3.03 ( 0.77 - 4.88 )	13.29	99
15+22+35+42+50	1.23	1.80	2.86	3.43	4.09	-	13.41 ( 3.50 - 15.60 )	3.06 ( 0.77 - 4.87 )	13.45	99
15+22+35+42+60	1.16	1.69	2.70	3.23	4.62	-	13.40 ( 3.50 - 15.60 )	3.06 ( 0.77 - 4.87 )	13.45	99

# MXZ-6D122VA HEATING

Indoor units combination	Heating Capacity (kW)							Outdoor unit power consumption (kW)	Current (A)	Power factor (%)
	Unit A	Unit B	Unit C	Unit D	Unit E	Unit F	Total			
15+22+35+50+50	1.17	1.71	2.73	3.90	3.90	-	13.41 ( 3.50 - 15.60 )	3.06 ( 0.77 - 4.87 )	13.45	99
15+22+42+42+42	1.23	1.81	3.45	3.45	3.45	-	13.39 ( 3.50 - 15.60 )	3.02 ( 0.77 - 4.87 )	13.25	99
15+22+42+42+50	1.18	1.72	3.29	3.29	3.92	-	13.40 ( 3.50 - 15.60 )	3.06 ( 0.77 - 4.87 )	13.45	99
15+22+42+50+50	1.12	1.65	3.14	3.74	3.74	-	13.39 ( 3.50 - 15.60 )	3.06 ( 0.77 - 4.87 )	13.45	99
15+25+25+25+25	1.75	2.91	2.91	2.91	2.91	-	13.39 ( 3.50 - 15.60 )	3.05 ( 0.77 - 4.90 )	13.37	99
15+25+25+25+35	1.61	2.68	2.68	2.68	3.75	-	13.40 ( 3.50 - 15.60 )	3.05 ( 0.77 - 4.90 )	13.37	99
15+25+25+25+42	1.52	2.54	2.54	2.54	4.26	-	13.40 ( 3.50 - 15.60 )	3.04 ( 0.77 - 4.89 )	13.33	99
15+25+25+25+50	1.44	2.39	2.39	2.39	4.79	-	13.40 ( 3.50 - 15.60 )	3.03 ( 0.77 - 4.88 )	13.29	99
15+25+25+25+60	1.34	2.23	2.23	2.23	5.36	-	13.39 ( 3.50 - 15.60 )	3.02 ( 0.77 - 4.87 )	13.25	99
15+25+25+25+71	1.25	2.08	2.08	2.08	5.91	-	13.40 ( 3.50 - 15.60 )	3.02 ( 0.77 - 4.87 )	13.25	99
15+25+25+35+35	1.49	2.48	2.48	3.47	3.47	-	13.39 ( 3.50 - 15.60 )	3.05 ( 0.77 - 4.90 )	13.37	99
15+25+25+35+42	1.42	2.36	2.36	3.30	3.96	-	13.40 ( 3.50 - 15.60 )	3.04 ( 0.77 - 4.89 )	13.33	99
15+25+25+35+50	1.34	2.23	2.23	3.13	4.47	-	13.40 ( 3.50 - 15.60 )	3.03 ( 0.77 - 4.88 )	13.29	99
15+25+25+35+60	1.26	2.09	2.09	2.93	5.03	-	13.40 ( 3.50 - 15.60 )	3.02 ( 0.77 - 4.87 )	13.25	99
15+25+25+35+71	1.18	1.96	1.96	2.74	5.56	-	13.40 ( 3.50 - 15.60 )	3.02 ( 0.77 - 4.87 )	13.25	99
15+25+25+42+42	1.35	2.25	2.25	3.78	3.78	-	13.41 ( 3.50 - 15.60 )	3.03 ( 0.77 - 4.88 )	13.29	99
15+25+25+42+50	1.28	2.13	2.13	3.58	4.27	-	13.39 ( 3.50 - 15.60 )	3.02 ( 0.77 - 4.87 )	13.25	99
15+25+25+42+60	1.20	2.01	2.01	3.37	4.81	-	13.40 ( 3.50 - 15.60 )	3.06 ( 0.77 - 4.87 )	13.45	99
15+25+25+42+71	1.13	1.88	1.88	3.16	5.34	-	13.39 ( 3.50 - 15.60 )	3.06 ( 0.77 - 4.87 )	13.45	99
15+25+25+50+50	1.22	2.03	2.03	4.06	4.06	-	13.40 ( 3.50 - 15.60 )	3.06 ( 0.77 - 4.87 )	13.45	99
15+25+25+50+60	1.15	1.91	1.91	3.83	4.59	-	13.39 ( 3.50 - 15.60 )	3.06 ( 0.77 - 4.87 )	13.45	99
15+25+35+35+35	1.39	2.31	3.23	3.23	3.23	-	13.39 ( 3.50 - 15.60 )	3.04 ( 0.77 - 4.90 )	13.35	99
15+25+35+35+42	1.32	2.20	3.09	3.09	3.70	-	13.40 ( 3.50 - 15.60 )	3.03 ( 0.77 - 4.89 )	13.31	99
15+25+35+35+50	1.26	2.09	2.93	2.93	4.19	-	13.40 ( 3.50 - 15.60 )	3.02 ( 0.77 - 4.87 )	13.25	99
15+25+35+35+60	1.18	1.97	2.76	2.76	4.73	-	13.40 ( 3.50 - 15.60 )	3.02 ( 0.77 - 4.87 )	13.25	99
15+25+35+42+42	1.26	2.11	2.95	3.54	3.54	-	13.40 ( 3.50 - 15.60 )	3.03 ( 0.77 - 4.88 )	13.29	99
15+25+35+42+50	1.20	2.01	2.81	3.37	4.01	-	13.40 ( 3.50 - 15.60 )	3.06 ( 0.77 - 4.87 )	13.45	99
15+25+35+42+60	1.14	1.89	2.65	3.18	4.54	-	13.40 ( 3.50 - 15.60 )	3.06 ( 0.77 - 4.87 )	13.45	99
15+25+35+50+50	1.15	1.91	2.68	3.83	3.83	-	13.40 ( 3.50 - 15.60 )	3.06 ( 0.77 - 4.87 )	13.45	99
15+25+42+42+42	1.21	2.02	3.39	3.39	3.39	-	13.40 ( 3.50 - 15.60 )	3.02 ( 0.77 - 4.87 )	13.25	99
15+25+42+42+50	1.16	1.93	3.23	3.23	3.85	-	13.40 ( 3.50 - 15.60 )	3.06 ( 0.77 - 4.87 )	13.45	99
15+35+35+35+35	1.30	3.03	3.03	3.03	3.03	-	13.42 ( 3.50 - 15.60 )	3.04 ( 0.77 - 4.89 )	13.33	99
15+35+35+35+42	1.24	2.90	2.90	2.90	3.47	-	13.41 ( 3.50 - 15.60 )	3.03 ( 0.77 - 4.88 )	13.29	99
15+35+35+35+50	1.18	2.76	2.76	2.76	3.94	-	13.40 ( 3.50 - 15.60 )	3.02 ( 0.77 - 4.87 )	13.25	99
15+35+35+35+60	1.12	2.61	2.61	2.61	4.47	-	13.42 ( 3.50 - 15.60 )	3.06 ( 0.77 - 4.87 )	13.45	99
15+35+35+42+42	1.19	2.78	2.78	3.33	3.33	-	13.41 ( 3.50 - 15.60 )	3.02 ( 0.77 - 4.87 )	13.25	99

# MXZ-6D122VA HEATING

Indoor units combination	Heating Capacity (kW)						Total	Outdoor unit power consumption (kW)	Current (A)	Power factor (%)
	Unit A	Unit B	Unit C	Unit D	Unit E	Unit F				
15+35+35+42+50	1.14	2.65	2.65	3.18	3.79	-	13.41 ( 3.50 - 15.60 )	3.06 ( 0.77 - 4.87 )	13.45	99
15+35+42+42+42	1.14	2.66	3.20	3.20	3.20	-	13.40 ( 3.50 - 15.60 )	3.06 ( 0.77 - 4.87 )	13.45	99
18+18+18+18+18	2.68	2.68	2.68	2.68	2.68	-	13.40 ( 3.50 - 15.60 )	3.05 ( 0.77 - 4.90 )	13.37	99
18+18+18+18+20	2.62	2.62	2.62	2.62	2.91	-	13.39 ( 3.50 - 15.60 )	3.05 ( 0.77 - 4.91 )	13.39	99
18+18+18+18+22	2.57	2.57	2.57	2.57	3.14	-	13.42 ( 3.50 - 15.60 )	3.05 ( 0.77 - 4.90 )	13.37	99
18+18+18+18+25	2.49	2.49	2.49	2.49	3.45	-	13.41 ( 3.50 - 15.60 )	3.05 ( 0.77 - 4.90 )	13.37	99
18+18+18+18+35	2.25	2.25	2.25	2.25	4.38	-	13.38 ( 3.50 - 15.60 )	3.05 ( 0.77 - 4.90 )	13.37	99
18+18+18+18+42	2.12	2.12	2.12	2.12	4.94	-	13.42 ( 3.50 - 15.60 )	3.04 ( 0.77 - 4.89 )	13.33	99
18+18+18+18+50	1.98	1.98	1.98	1.98	5.49	-	13.41 ( 3.50 - 15.60 )	3.02 ( 0.77 - 4.87 )	13.25	99
18+18+18+18+60	1.83	1.83	1.83	1.83	6.09	-	13.41 ( 3.50 - 15.60 )	3.02 ( 0.77 - 4.87 )	13.25	99
18+18+18+18+71	1.69	1.69	1.69	1.69	6.65	-	13.41 ( 3.50 - 15.60 )	3.06 ( 0.77 - 4.87 )	13.45	99
18+18+18+20+20	2.57	2.57	2.57	2.85	2.85	-	13.41 ( 3.50 - 15.60 )	3.05 ( 0.77 - 4.91 )	13.41	99
18+18+18+20+22	2.51	2.51	2.51	2.79	3.07	-	13.39 ( 3.50 - 15.60 )	3.05 ( 0.77 - 4.91 )	13.39	99
18+18+18+20+25	2.44	2.44	2.44	2.71	3.38	-	13.41 ( 3.50 - 15.60 )	3.05 ( 0.77 - 4.90 )	13.37	99
18+18+18+20+35	2.21	2.21	2.21	2.46	4.30	-	13.39 ( 3.50 - 15.60 )	3.05 ( 0.77 - 4.90 )	13.37	99
18+18+18+20+42	2.08	2.08	2.08	2.31	4.85	-	13.40 ( 3.50 - 15.60 )	3.04 ( 0.77 - 4.89 )	13.33	99
18+18+18+20+50	1.95	1.95	1.95	2.16	5.40	-	13.41 ( 3.50 - 15.60 )	3.03 ( 0.77 - 4.88 )	13.29	99
18+18+18+20+60	1.80	1.80	1.80	2.00	6.00	-	13.40 ( 3.50 - 15.60 )	3.03 ( 0.77 - 4.88 )	13.29	99
18+18+18+20+71	1.66	1.66	1.66	1.85	6.56	-	13.39 ( 3.50 - 15.60 )	3.02 ( 0.77 - 4.87 )	13.25	99
18+18+18+22+22	2.46	2.46	2.46	3.01	3.01	-	13.40 ( 3.50 - 15.60 )	3.05 ( 0.77 - 4.90 )	13.37	99
18+18+18+22+25	2.39	2.39	2.39	2.92	3.32	-	13.41 ( 3.50 - 15.60 )	3.05 ( 0.77 - 4.90 )	13.37	99
18+18+18+22+35	2.17	2.17	2.17	2.66	4.23	-	13.40 ( 3.50 - 15.60 )	3.05 ( 0.77 - 4.90 )	13.37	99
18+18+18+22+42	2.04	2.04	2.04	2.50	4.77	-	13.39 ( 3.50 - 15.60 )	3.04 ( 0.77 - 4.89 )	13.33	99
18+18+18+22+50	1.91	1.91	1.91	2.34	5.32	-	13.39 ( 3.50 - 15.60 )	3.02 ( 0.77 - 4.87 )	13.25	99
18+18+18+22+60	1.77	1.77	1.77	2.17	5.91	-	13.39 ( 3.50 - 15.60 )	3.02 ( 0.77 - 4.87 )	13.25	99
18+18+18+22+71	1.64	1.64	1.64	2.01	6.47	-	13.40 ( 3.50 - 15.60 )	3.06 ( 0.77 - 4.87 )	13.45	99
18+18+18+25+25	2.32	2.32	2.32	3.22	3.22	-	13.40 ( 3.50 - 15.60 )	3.05 ( 0.77 - 4.90 )	13.37	99
18+18+18+25+35	2.12	2.12	2.12	2.94	4.11	-	13.41 ( 3.50 - 15.60 )	3.04 ( 0.77 - 4.89 )	13.33	99
18+18+18+25+42	1.99	1.99	1.99	2.77	4.65	-	13.39 ( 3.50 - 15.60 )	3.03 ( 0.77 - 4.88 )	13.29	99
18+18+18+25+50	1.87	1.87	1.87	2.60	5.19	-	13.40 ( 3.50 - 15.60 )	3.02 ( 0.77 - 4.87 )	13.25	99
18+18+18+25+60	1.74	1.74	1.74	2.41	5.78	-	13.41 ( 3.50 - 15.60 )	3.02 ( 0.77 - 4.87 )	13.25	99
18+18+18+25+71	1.61	1.61	1.61	2.23	6.34	-	13.40 ( 3.50 - 15.60 )	3.06 ( 0.77 - 4.87 )	13.45	99
18+18+18+35+35	1.95	1.95	1.95	3.78	3.78	-	13.41 ( 3.50 - 15.60 )	3.04 ( 0.77 - 4.89 )	13.33	99
18+18+18+35+42	1.84	1.84	1.84	3.58	4.30	-	13.40 ( 3.50 - 15.60 )	3.03 ( 0.77 - 4.88 )	13.29	99
18+18+18+35+50	1.74	1.74	1.74	3.37	4.82	-	13.41 ( 3.50 - 15.60 )	3.02 ( 0.77 - 4.87 )	13.25	99
18+18+18+35+60	1.62	1.62	1.62	3.15	5.40	-	13.41 ( 3.50 - 15.60 )	3.06 ( 0.77 - 4.87 )	13.45	99

# MXZ-6D122VA HEATING

Indoor units combination	Heating Capacity (kW)							Outdoor unit power consumption (kW)	Current (A)	Power factor (%)
	Unit A	Unit B	Unit C	Unit D	Unit E	Unit F	Total			
18+18+18+35+71	1.51	1.51	1.51	2.93	5.95	-	13.41 ( 3.50 - 15.60 )	3.06 ( 0.77 - 4.87 )	13.45	99
18+18+18+42+42	1.75	1.75	1.75	4.08	4.08	-	13.41 ( 3.50 - 15.60 )	3.02 ( 0.77 - 4.87 )	13.25	99
18+18+18+42+50	1.65	1.65	1.65	3.85	4.59	-	13.39 ( 3.50 - 15.60 )	3.06 ( 0.77 - 4.87 )	13.45	99
18+18+18+42+60	1.55	1.55	1.55	3.61	5.15	-	13.41 ( 3.50 - 15.60 )	3.06 ( 0.77 - 4.87 )	13.45	99
18+18+18+42+71	1.44	1.44	1.44	3.37	5.70	-	13.39 ( 3.50 - 15.60 )	3.06 ( 0.77 - 4.87 )	13.45	99
18+18+18+50+50	1.57	1.57	1.57	4.35	4.35	-	13.41 ( 3.50 - 15.60 )	3.06 ( 0.77 - 4.87 )	13.45	99
18+18+18+50+60	1.47	1.47	1.47	4.09	4.90	-	13.40 ( 3.50 - 15.60 )	3.06 ( 0.77 - 4.87 )	13.45	99
18+18+18+50+71	1.38	1.38	1.38	3.83	5.44	-	13.41 ( 3.50 - 15.60 )	3.06 ( 0.77 - 4.87 )	13.45	99
18+18+18+60+60	1.39	1.39	1.39	4.62	4.62	-	13.41 ( 3.50 - 15.60 )	3.06 ( 0.77 - 4.87 )	13.45	99
18+18+20+20+20	2.48	2.48	2.75	2.75	2.75	-	13.21 ( 3.50 - 15.30 )	2.90 ( 0.77 - 4.57 )	12.74	99
18+18+20+20+22	2.46	2.46	2.73	2.73	3.01	-	13.39 ( 3.50 - 15.60 )	3.05 ( 0.77 - 4.91 )	13.41	99
18+18+20+20+25	2.39	2.39	2.65	2.65	3.32	-	13.40 ( 3.50 - 15.60 )	3.05 ( 0.77 - 4.91 )	13.41	99
18+18+20+20+35	2.17	2.17	2.41	2.41	4.23	-	13.39 ( 3.50 - 15.60 )	3.05 ( 0.77 - 4.91 )	13.41	99
18+18+20+20+42	2.04	2.04	2.27	2.27	4.77	-	13.39 ( 3.50 - 15.60 )	3.05 ( 0.77 - 4.90 )	13.37	99
18+18+20+20+50	1.91	1.91	2.13	2.13	5.32	-	13.40 ( 3.50 - 15.60 )	3.04 ( 0.77 - 4.89 )	13.33	99
18+18+20+20+60	1.77	1.77	1.97	1.97	5.91	-	13.39 ( 3.50 - 15.60 )	3.03 ( 0.77 - 4.88 )	13.29	99
18+18+20+20+71	1.64	1.64	1.82	1.82	6.47	-	13.39 ( 3.50 - 15.60 )	3.03 ( 0.77 - 4.88 )	13.29	99
18+18+20+22+22	2.41	2.41	2.68	2.95	2.95	-	13.40 ( 3.50 - 15.60 )	3.05 ( 0.77 - 4.90 )	13.37	99
18+18+20+22+25	2.34	2.34	2.60	2.86	3.25	-	13.39 ( 3.50 - 15.60 )	3.05 ( 0.77 - 4.90 )	13.37	99
18+18+20+22+35	2.13	2.13	2.37	2.61	4.15	-	13.39 ( 3.50 - 15.60 )	3.05 ( 0.77 - 4.90 )	13.37	99
18+18+20+22+42	2.01	2.01	2.23	2.46	4.69	-	13.40 ( 3.50 - 15.60 )	3.04 ( 0.77 - 4.89 )	13.33	99
18+18+20+22+50	1.88	1.88	2.09	2.30	5.23	-	13.38 ( 3.50 - 15.60 )	3.03 ( 0.77 - 4.88 )	13.29	99
18+18+20+22+60	1.75	1.75	1.94	2.14	5.83	-	13.41 ( 3.50 - 15.60 )	3.03 ( 0.77 - 4.88 )	13.29	99
18+18+20+22+71	1.62	1.62	1.80	1.98	6.39	-	13.41 ( 3.50 - 15.60 )	3.02 ( 0.77 - 4.87 )	13.25	99
18+18+20+25+25	2.28	2.28	2.53	3.16	3.16	-	13.41 ( 3.50 - 15.60 )	3.05 ( 0.77 - 4.90 )	13.37	99
18+18+20+25+35	2.08	2.08	2.31	2.89	4.04	-	13.40 ( 3.50 - 15.60 )	3.05 ( 0.77 - 4.90 )	13.37	99
18+18+20+25+42	1.96	1.96	2.18	2.72	4.58	-	13.40 ( 3.50 - 15.60 )	3.04 ( 0.77 - 4.89 )	13.33	99
18+18+20+25+50	1.84	1.84	2.05	2.56	5.11	-	13.40 ( 3.50 - 15.60 )	3.03 ( 0.77 - 4.88 )	13.29	99
18+18+20+25+60	1.71	1.71	1.90	2.38	5.70	-	13.40 ( 3.50 - 15.60 )	3.02 ( 0.77 - 4.88 )	13.27	99
18+18+20+25+71	1.59	1.59	1.76	2.20	6.26	-	13.40 ( 3.50 - 15.60 )	3.02 ( 0.77 - 4.87 )	13.25	99
18+18+20+35+35	1.91	1.91	2.13	3.72	3.72	-	13.39 ( 3.50 - 15.60 )	3.05 ( 0.77 - 4.90 )	13.37	99
18+18+20+35+42	1.81	1.81	2.02	3.53	4.23	-	13.40 ( 3.50 - 15.60 )	3.04 ( 0.77 - 4.89 )	13.33	99
18+18+20+35+50	1.71	1.71	1.90	3.33	4.75	-	13.40 ( 3.50 - 15.60 )	3.03 ( 0.77 - 4.88 )	13.29	99
18+18+20+35+60	1.60	1.60	1.77	3.11	5.32	-	13.40 ( 3.50 - 15.60 )	3.02 ( 0.77 - 4.87 )	13.25	99
18+18+20+35+71	1.49	1.49	1.65	2.90	5.87	-	13.40 ( 3.50 - 15.60 )	3.02 ( 0.77 - 4.87 )	13.25	99
18+18+20+42+42	1.72	1.72	1.91	4.02	4.02	-	13.39 ( 3.50 - 15.60 )	3.03 ( 0.77 - 4.88 )	13.29	99



# MXZ-6D122VA HEATING

Indoor units combination	Heating Capacity (kW)							Outdoor unit power consumption (kW)	Current (A)	Power factor (%)
	Unit A	Unit B	Unit C	Unit D	Unit E	Unit F	Total			
18+18+20+42+50	1.63	1.63	1.81	3.80	4.53	-	13.40 ( 3.50 - 15.60 )	3.02 ( 0.77 - 4.87 )	13.25	99
18+18+20+42+60	1.53	1.53	1.70	3.56	5.09	-	13.41 ( 3.50 - 15.60 )	3.06 ( 0.77 - 4.87 )	13.45	99
18+18+20+42+71	1.43	1.43	1.59	3.33	5.63	-	13.41 ( 3.50 - 15.60 )	3.06 ( 0.77 - 4.87 )	13.45	99
18+18+20+50+50	1.55	1.55	1.72	4.29	4.29	-	13.40 ( 3.50 - 15.60 )	3.06 ( 0.77 - 4.87 )	13.45	99
18+18+20+50+60	1.45	1.45	1.61	4.04	4.84	-	13.39 ( 3.50 - 15.60 )	3.06 ( 0.77 - 4.87 )	13.45	99
18+18+20+50+71	1.36	1.36	1.51	3.79	5.38	-	13.40 ( 3.50 - 15.60 )	3.06 ( 0.77 - 4.87 )	13.45	99
18+18+20+60+60	1.37	1.37	1.52	4.57	4.57	-	13.40 ( 3.50 - 15.60 )	3.06 ( 0.77 - 4.87 )	13.45	99
18+18+22+22+22	2.36	2.36	2.89	2.89	2.89	-	13.39 ( 3.50 - 15.60 )	3.05 ( 0.77 - 4.90 )	13.37	99
18+18+22+22+25	2.30	2.30	2.81	2.81	3.19	-	13.41 ( 3.50 - 15.60 )	3.05 ( 0.77 - 4.90 )	13.37	99
18+18+22+22+35	2.10	2.10	2.56	2.56	4.08	-	13.40 ( 3.50 - 15.60 )	3.05 ( 0.77 - 4.90 )	13.37	99
18+18+22+22+42	1.98	1.98	2.42	2.42	4.61	-	13.41 ( 3.50 - 15.60 )	3.04 ( 0.77 - 4.89 )	13.33	99
18+18+22+22+50	1.86	1.86	2.27	2.27	5.15	-	13.41 ( 3.50 - 15.60 )	3.02 ( 0.77 - 4.87 )	13.25	99
18+18+22+22+60	1.72	1.72	2.11	2.11	5.74	-	13.40 ( 3.50 - 15.60 )	3.02 ( 0.77 - 4.87 )	13.25	99
18+18+22+22+71	1.60	1.60	1.95	1.95	6.30	-	13.40 ( 3.50 - 15.60 )	3.06 ( 0.77 - 4.87 )	13.45	99
18+18+22+25+25	2.23	2.23	2.73	3.10	3.10	-	13.39 ( 3.50 - 15.60 )	3.05 ( 0.77 - 4.90 )	13.37	99
18+18+22+25+35	2.04	2.04	2.50	2.84	3.97	-	13.39 ( 3.50 - 15.60 )	3.04 ( 0.77 - 4.89 )	13.33	99
18+18+22+25+42	1.93	1.93	2.36	2.68	4.50	-	13.40 ( 3.50 - 15.60 )	3.03 ( 0.77 - 4.88 )	13.29	99
18+18+22+25+50	1.81	1.81	2.22	2.52	5.04	-	13.40 ( 3.50 - 15.60 )	3.02 ( 0.77 - 4.87 )	13.25	99
18+18+22+25+60	1.69	1.69	2.06	2.34	5.62	-	13.40 ( 3.50 - 15.60 )	3.02 ( 0.77 - 4.87 )	13.25	99
18+18+22+25+71	1.57	1.57	1.91	2.18	6.18	-	13.41 ( 3.50 - 15.60 )	3.06 ( 0.77 - 4.87 )	13.45	99
18+18+22+35+35	1.88	1.88	2.30	3.66	3.66	-	13.38 ( 3.50 - 15.60 )	3.04 ( 0.77 - 4.89 )	13.33	99
18+18+22+35+42	1.79	1.79	2.18	3.47	4.17	-	13.40 ( 3.50 - 15.60 )	3.03 ( 0.77 - 4.88 )	13.29	99
18+18+22+35+50	1.69	1.69	2.06	3.28	4.69	-	13.41 ( 3.50 - 15.60 )	3.02 ( 0.77 - 4.87 )	13.25	99
18+18+22+35+60	1.58	1.58	1.93	3.07	5.25	-	13.41 ( 3.50 - 15.60 )	3.06 ( 0.77 - 4.87 )	13.45	99
18+18+22+35+71	1.47	1.47	1.80	2.86	5.80	-	13.40 ( 3.50 - 15.60 )	3.06 ( 0.77 - 4.87 )	13.45	99
18+18+22+42+42	1.70	1.70	2.08	3.96	3.96	-	13.40 ( 3.50 - 15.60 )	3.02 ( 0.77 - 4.87 )	13.25	99
18+18+22+42+50	1.61	1.61	1.97	3.75	4.47	-	13.41 ( 3.50 - 15.60 )	3.06 ( 0.77 - 4.87 )	13.45	99
18+18+22+42+60	1.51	1.51	1.84	3.52	5.03	-	13.41 ( 3.50 - 15.60 )	3.06 ( 0.77 - 4.87 )	13.45	99
18+18+22+42+71	1.41	1.41	1.72	3.29	5.56	-	13.39 ( 3.50 - 15.60 )	3.06 ( 0.77 - 4.87 )	13.45	99
18+18+22+50+50	1.53	1.53	1.87	4.24	4.24	-	13.41 ( 3.50 - 15.60 )	3.06 ( 0.77 - 4.87 )	13.45	99
18+18+22+50+60	1.44	1.44	1.75	3.99	4.79	-	13.41 ( 3.50 - 15.60 )	3.06 ( 0.77 - 4.87 )	13.45	99
18+18+22+50+71	1.35	1.35	1.65	3.74	5.32	-	13.41 ( 3.50 - 15.60 )	3.06 ( 0.77 - 4.87 )	13.45	99
18+18+22+60+60	1.36	1.36	1.66	4.52	4.52	-	13.42 ( 3.50 - 15.60 )	3.06 ( 0.77 - 4.87 )	13.45	99
18+18+25+25+25	2.17	2.17	3.02	3.02	3.02	-	13.40 ( 3.50 - 15.60 )	3.04 ( 0.77 - 4.89 )	13.33	99
18+18+25+25+35	1.99	1.99	2.77	2.77	3.88	-	13.40 ( 3.50 - 15.60 )	3.04 ( 0.77 - 4.89 )	13.33	99
18+18+25+25+42	1.88	1.88	2.62	2.62	4.40	-	13.40 ( 3.50 - 15.60 )	3.03 ( 0.77 - 4.88 )	13.29	99

# MXZ-6D122VA HEATING

Indoor units combination	Heating Capacity (kW)							Outdoor unit power consumption (kW)	Current (A)	Power factor (%)
	Unit A	Unit B	Unit C	Unit D	Unit E	Unit F	Total			
18+18+25+25+50	1.77	1.77	2.46	2.46	4.93	-	13.39 ( 3.50 - 15.60 )	3.02 ( 0.77 - 4.87 )	13.25	99
18+18+25+25+60	1.65	1.65	2.29	2.29	5.51	-	13.39 ( 3.50 - 15.60 )	3.06 ( 0.77 - 4.87 )	13.45	99
18+18+25+25+71	1.54	1.54	2.13	2.13	6.06	-	13.40 ( 3.50 - 15.60 )	3.06 ( 0.77 - 4.87 )	13.45	99
18+18+25+35+35	1.84	1.84	2.56	3.58	3.58	-	13.40 ( 3.50 - 15.60 )	3.04 ( 0.77 - 4.89 )	13.33	99
18+18+25+35+42	1.75	1.75	2.43	3.40	4.08	-	13.41 ( 3.50 - 15.60 )	3.03 ( 0.77 - 4.88 )	13.29	99
18+18+25+35+50	1.65	1.65	2.29	3.21	4.59	-	13.39 ( 3.50 - 15.60 )	3.02 ( 0.77 - 4.87 )	13.25	99
18+18+25+35+60	1.55	1.55	2.15	3.01	5.15	-	13.41 ( 3.50 - 15.60 )	3.06 ( 0.77 - 4.87 )	13.45	99
18+18+25+35+71	1.44	1.44	2.01	2.81	5.70	-	13.40 ( 3.50 - 15.60 )	3.06 ( 0.77 - 4.87 )	13.45	99
18+18+25+42+42	1.66	1.66	2.31	3.88	3.88	-	13.39 ( 3.50 - 15.60 )	3.02 ( 0.77 - 4.87 )	13.25	99
18+18+25+42+50	1.58	1.58	2.19	3.68	4.38	-	13.41 ( 3.50 - 15.60 )	3.06 ( 0.77 - 4.87 )	13.45	99
18+18+25+42+60	1.48	1.48	2.06	3.45	4.93	-	13.40 ( 3.50 - 15.60 )	3.06 ( 0.77 - 4.87 )	13.45	99
18+18+25+42+71	1.39	1.39	1.93	3.23	5.47	-	13.41 ( 3.50 - 15.60 )	3.06 ( 0.77 - 4.87 )	13.45	99
18+18+25+50+50	1.50	1.50	2.08	4.16	4.16	-	13.40 ( 3.50 - 15.60 )	3.06 ( 0.77 - 4.87 )	13.45	99
18+18+25+50+60	1.41	1.41	1.96	3.92	4.70	-	13.40 ( 3.50 - 15.60 )	3.06 ( 0.77 - 4.87 )	13.45	99
18+18+35+35+35	1.71	1.71	3.33	3.33	3.33	-	13.41 ( 3.50 - 15.60 )	3.04 ( 0.77 - 4.89 )	13.33	99
18+18+35+35+42	1.63	1.63	3.17	3.17	3.80	-	13.40 ( 3.50 - 15.60 )	3.03 ( 0.77 - 4.88 )	13.29	99
18+18+35+35+50	1.55	1.55	3.01	3.01	4.29	-	13.41 ( 3.50 - 15.60 )	3.06 ( 0.77 - 4.87 )	13.45	99
18+18+35+35+60	1.45	1.45	2.83	2.83	4.84	-	13.40 ( 3.50 - 15.60 )	3.06 ( 0.77 - 4.87 )	13.45	99
18+18+35+35+71	1.36	1.36	2.65	2.65	5.38	-	13.40 ( 3.50 - 15.60 )	3.06 ( 0.77 - 4.87 )	13.45	99
18+18+35+42+42	1.56	1.56	3.03	3.63	3.63	-	13.41 ( 3.50 - 15.60 )	3.02 ( 0.77 - 4.87 )	13.25	99
18+18+35+42+50	1.48	1.48	2.88	3.45	4.11	-	13.40 ( 3.50 - 15.60 )	3.06 ( 0.77 - 4.87 )	13.45	99
18+18+35+42+60	1.39	1.39	2.71	3.25	4.65	-	13.39 ( 3.50 - 15.60 )	3.06 ( 0.77 - 4.87 )	13.45	99
18+18+35+50+50	1.41	1.41	2.74	3.92	3.92	-	13.40 ( 3.50 - 15.60 )	3.06 ( 0.77 - 4.87 )	13.45	99
18+18+42+42+42	1.49	1.49	3.47	3.47	3.47	-	13.39 ( 3.50 - 15.60 )	3.06 ( 0.77 - 4.87 )	13.45	99
18+18+42+42+50	1.42	1.42	3.31	3.31	3.94	-	13.40 ( 3.50 - 15.60 )	3.06 ( 0.77 - 4.87 )	13.45	99
18+18+42+42+60	1.34	1.34	3.13	3.13	4.47	-	13.41 ( 3.50 - 15.60 )	3.06 ( 0.77 - 4.87 )	13.45	99
18+18+42+50+50	1.36	1.36	3.16	3.76	3.76	-	13.40 ( 3.50 - 15.60 )	3.06 ( 0.77 - 4.87 )	13.45	99
18+20+20+20+20	2.22	2.47	2.47	2.47	2.47	-	12.10 ( 3.50 - 15.10 )	2.73 ( 0.79 - 4.85 )	11.99	99
18+20+20+20+22	2.38	2.64	2.64	2.64	2.90	-	13.20 ( 3.50 - 15.30 )	2.90 ( 0.77 - 4.57 )	12.74	99
18+20+20+20+25	2.32	2.58	2.58	2.58	3.23	-	13.29 ( 3.50 - 15.40 )	2.97 ( 0.77 - 4.69 )	13.06	99
18+20+20+20+35	2.12	2.35	2.35	2.35	4.12	-	13.29 ( 3.50 - 15.50 )	2.97 ( 0.77 - 4.80 )	13.06	99
18+20+20+20+42	2.01	2.23	2.23	2.23	4.69	-	13.39 ( 3.50 - 15.60 )	3.05 ( 0.77 - 4.91 )	13.39	99
18+20+20+20+50	1.88	2.09	2.09	2.09	5.23	-	13.38 ( 3.50 - 15.60 )	3.05 ( 0.77 - 4.90 )	13.37	99
18+20+20+20+60	1.75	1.94	1.94	1.94	5.83	-	13.40 ( 3.50 - 15.60 )	3.04 ( 0.77 - 4.89 )	13.33	99
18+20+20+20+71	1.62	1.80	1.80	1.80	6.39	-	13.41 ( 3.50 - 15.60 )	3.04 ( 0.77 - 4.89 )	13.33	99
18+20+20+22+22	2.36	2.63	2.63	2.89	2.89	-	13.40 ( 3.50 - 15.60 )	3.05 ( 0.77 - 4.91 )	13.41	99

# MXZ-6D122VA HEATING

Indoor units combination	Heating Capacity (kW)							Outdoor unit power consumption (kW)	Current (A)	Power factor (%)
	Unit A	Unit B	Unit C	Unit D	Unit E	Unit F	Total			
18+20+20+22+25	2.30	2.55	2.55	2.81	3.19	-	13.40 ( 3.50 - 15.60 )	3.05 ( 0.77 - 4.91 )	13.41	99
18+20+20+22+35	2.10	2.33	2.33	2.56	4.08	-	13.40 ( 3.50 - 15.60 )	3.05 ( 0.77 - 4.91 )	13.41	99
18+20+20+22+42	1.98	2.20	2.20	2.42	4.61	-	13.41 ( 3.50 - 15.60 )	3.05 ( 0.77 - 4.90 )	13.37	99
18+20+20+22+50	1.86	2.06	2.06	2.27	5.15	-	13.40 ( 3.50 - 15.60 )	3.04 ( 0.77 - 4.89 )	13.33	99
18+20+20+22+60	1.72	1.91	1.91	2.11	5.74	-	13.39 ( 3.50 - 15.60 )	3.03 ( 0.77 - 4.88 )	13.29	99
18+20+20+22+71	1.60	1.77	1.77	1.95	6.30	-	13.39 ( 3.50 - 15.60 )	3.03 ( 0.77 - 4.88 )	13.29	99
18+20+20+25+25	2.23	2.48	2.48	3.10	3.10	-	13.39 ( 3.50 - 15.60 )	3.05 ( 0.77 - 4.91 )	13.41	99
18+20+20+25+35	2.04	2.27	2.27	2.84	3.97	-	13.39 ( 3.50 - 15.60 )	3.05 ( 0.77 - 4.91 )	13.39	99
18+20+20+25+42	1.93	2.14	2.14	2.68	4.50	-	13.39 ( 3.50 - 15.60 )	3.05 ( 0.77 - 4.90 )	13.37	99
18+20+20+25+50	1.81	2.02	2.02	2.52	5.04	-	13.41 ( 3.50 - 15.60 )	3.04 ( 0.77 - 4.89 )	13.33	99
18+20+20+25+60	1.69	1.87	1.87	2.34	5.62	-	13.39 ( 3.50 - 15.60 )	3.03 ( 0.77 - 4.88 )	13.29	99
18+20+20+25+71	1.57	1.74	1.74	2.18	6.18	-	13.41 ( 3.50 - 15.60 )	3.03 ( 0.77 - 4.88 )	13.29	99
18+20+20+35+35	1.88	2.09	2.09	3.66	3.66	-	13.38 ( 3.50 - 15.60 )	3.05 ( 0.77 - 4.90 )	13.37	99
18+20+20+35+42	1.79	1.99	1.99	3.47	4.17	-	13.41 ( 3.50 - 15.60 )	3.05 ( 0.77 - 4.90 )	13.37	99
18+20+20+35+50	1.69	1.87	1.87	3.28	4.69	-	13.40 ( 3.50 - 15.60 )	3.03 ( 0.77 - 4.88 )	13.29	99
18+20+20+35+60	1.58	1.75	1.75	3.07	5.25	-	13.40 ( 3.50 - 15.60 )	3.03 ( 0.77 - 4.88 )	13.29	99
18+20+20+35+71	1.47	1.63	1.63	2.86	5.80	-	13.39 ( 3.50 - 15.60 )	3.03 ( 0.77 - 4.88 )	13.29	99
18+20+20+42+42	1.70	1.89	1.89	3.96	3.96	-	13.40 ( 3.50 - 15.60 )	3.04 ( 0.77 - 4.89 )	13.33	99
18+20+20+42+50	1.61	1.79	1.79	3.75	4.47	-	13.41 ( 3.50 - 15.60 )	3.02 ( 0.77 - 4.88 )	13.27	99
18+20+20+42+60	1.51	1.68	1.68	3.52	5.03	-	13.42 ( 3.50 - 15.60 )	3.02 ( 0.77 - 4.87 )	13.25	99
18+20+20+42+71	1.41	1.57	1.57	3.29	5.56	-	13.40 ( 3.50 - 15.60 )	3.06 ( 0.77 - 4.87 )	13.45	99
18+20+20+50+50	1.53	1.70	1.70	4.24	4.24	-	13.41 ( 3.50 - 15.60 )	3.06 ( 0.77 - 4.87 )	13.45	99
18+20+20+50+60	1.44	1.60	1.60	3.99	4.79	-	13.42 ( 3.50 - 15.60 )	3.06 ( 0.77 - 4.87 )	13.45	99
18+20+20+50+71	1.35	1.50	1.50	3.74	5.32	-	13.41 ( 3.50 - 15.60 )	3.06 ( 0.77 - 4.87 )	13.45	99
18+20+20+60+60	1.36	1.51	1.51	4.52	4.52	-	13.42 ( 3.50 - 15.60 )	3.06 ( 0.77 - 4.87 )	13.45	99
18+20+22+22+22	2.32	2.58	2.83	2.83	2.83	-	13.39 ( 3.50 - 15.60 )	3.05 ( 0.77 - 4.90 )	13.37	99
18+20+22+22+25	2.25	2.50	2.76	2.76	3.13	-	13.40 ( 3.50 - 15.60 )	3.05 ( 0.77 - 4.90 )	13.37	99
18+20+22+22+35	2.06	2.29	2.52	2.52	4.01	-	13.40 ( 3.50 - 15.60 )	3.05 ( 0.77 - 4.90 )	13.37	99
18+20+22+22+42	1.95	2.16	2.38	2.38	4.54	-	13.41 ( 3.50 - 15.60 )	3.04 ( 0.77 - 4.89 )	13.33	99
18+20+22+22+50	1.83	2.03	2.23	2.23	5.08	-	13.40 ( 3.50 - 15.60 )	3.03 ( 0.77 - 4.88 )	13.29	99
18+20+22+22+60	1.70	1.89	2.08	2.08	5.66	-	13.41 ( 3.50 - 15.60 )	3.03 ( 0.77 - 4.88 )	13.29	99
18+20+22+22+71	1.58	1.75	1.93	1.93	6.22	-	13.41 ( 3.50 - 15.60 )	3.02 ( 0.77 - 4.87 )	13.25	99
18+20+22+25+25	2.19	2.44	2.68	3.05	3.05	-	13.41 ( 3.50 - 15.60 )	3.05 ( 0.77 - 4.90 )	13.37	99
18+20+22+25+35	2.01	2.23	2.46	2.79	3.91	-	13.40 ( 3.50 - 15.60 )	3.05 ( 0.77 - 4.90 )	13.37	99
18+20+22+25+42	1.90	2.11	2.32	2.64	4.43	-	13.40 ( 3.50 - 15.60 )	3.04 ( 0.77 - 4.89 )	13.33	99
18+20+22+25+50	1.79	1.99	2.18	2.48	4.96	-	13.40 ( 3.50 - 15.60 )	3.03 ( 0.77 - 4.88 )	13.29	99

# MXZ-6D122VA HEATING

Indoor units combination	Heating Capacity (kW)							Outdoor unit power consumption (kW)	Current (A)	Power factor (%)
	Unit A	Unit B	Unit C	Unit D	Unit E	Unit F	Total			
18+20+22+25+60	1.66	1.85	2.03	2.31	5.54	-	13.39 ( 3.50 - 15.60 )	3.02 ( 0.77 - 4.88 )	13.27	99
18+20+22+25+71	1.55	1.72	1.89	2.15	6.10	-	13.41 ( 3.50 - 15.60 )	3.02 ( 0.77 - 4.87 )	13.25	99
18+20+22+35+35	1.86	2.06	2.27	3.61	3.61	-	13.41 ( 3.50 - 15.60 )	3.05 ( 0.77 - 4.90 )	13.37	99
18+20+22+35+42	1.76	1.96	2.15	3.42	4.11	-	13.40 ( 3.50 - 15.60 )	3.04 ( 0.77 - 4.89 )	13.33	99
18+20+22+35+50	1.66	1.85	2.03	3.23	4.62	-	13.39 ( 3.50 - 15.60 )	3.03 ( 0.77 - 4.88 )	13.29	99
18+20+22+35+60	1.56	1.73	1.90	3.03	5.19	-	13.41 ( 3.50 - 15.60 )	3.02 ( 0.77 - 4.87 )	13.25	99
18+20+22+35+71	1.45	1.61	1.78	2.83	5.73	-	13.40 ( 3.50 - 15.60 )	3.02 ( 0.77 - 4.87 )	13.25	99
18+20+22+42+42	1.68	1.86	2.05	3.91	3.91	-	13.41 ( 3.50 - 15.60 )	3.03 ( 0.77 - 4.88 )	13.29	99
18+20+22+42+50	1.59	1.76	1.94	3.70	4.41	-	13.40 ( 3.50 - 15.60 )	3.02 ( 0.77 - 4.87 )	13.25	99
18+20+22+42+60	1.49	1.65	1.82	3.47	4.96	-	13.39 ( 3.50 - 15.60 )	3.06 ( 0.77 - 4.87 )	13.45	99
18+20+22+42+71	1.39	1.55	1.70	3.25	5.50	-	13.39 ( 3.50 - 15.60 )	3.06 ( 0.77 - 4.87 )	13.45	99
18+20+22+50+50	1.51	1.68	1.84	4.19	4.19	-	13.41 ( 3.50 - 15.60 )	3.06 ( 0.77 - 4.87 )	13.45	99
18+20+22+50+60	1.42	1.58	1.73	3.94	4.73	-	13.40 ( 3.50 - 15.60 )	3.06 ( 0.77 - 4.87 )	13.45	99
18+20+22+60+60	1.34	1.49	1.64	4.47	4.47	-	13.41 ( 3.50 - 15.60 )	3.06 ( 0.77 - 4.87 )	13.45	99
18+20+25+25+25	2.13	2.37	2.96	2.96	2.96	-	13.38 ( 3.50 - 15.60 )	3.05 ( 0.77 - 4.90 )	13.37	99
18+20+25+25+35	1.96	2.18	2.72	2.72	3.81	-	13.39 ( 3.50 - 15.60 )	3.05 ( 0.77 - 4.90 )	13.37	99
18+20+25+25+42	1.86	2.06	2.58	2.58	4.33	-	13.41 ( 3.50 - 15.60 )	3.04 ( 0.77 - 4.89 )	13.33	99
18+20+25+25+50	1.75	1.94	2.43	2.43	4.86	-	13.41 ( 3.50 - 15.60 )	3.03 ( 0.77 - 4.88 )	13.29	99
18+20+25+25+60	1.63	1.81	2.26	2.26	5.43	-	13.39 ( 3.50 - 15.60 )	3.02 ( 0.77 - 4.87 )	13.25	99
18+20+25+25+71	1.52	1.69	2.11	2.11	5.98	-	13.41 ( 3.50 - 15.60 )	3.02 ( 0.77 - 4.87 )	13.25	99
18+20+25+35+35	1.81	2.02	2.52	3.53	3.53	-	13.41 ( 3.50 - 15.60 )	3.05 ( 0.77 - 4.90 )	13.37	99
18+20+25+35+42	1.72	1.91	2.39	3.35	4.02	-	13.39 ( 3.50 - 15.60 )	3.04 ( 0.77 - 4.89 )	13.33	99
18+20+25+35+50	1.63	1.81	2.26	3.17	4.53	-	13.40 ( 3.50 - 15.60 )	3.02 ( 0.77 - 4.88 )	13.27	99
18+20+25+35+60	1.53	1.70	2.12	2.97	5.09	-	13.41 ( 3.50 - 15.60 )	3.02 ( 0.77 - 4.87 )	13.25	99
18+20+25+35+71	1.43	1.59	1.98	2.78	5.63	-	13.41 ( 3.50 - 15.60 )	3.06 ( 0.77 - 4.87 )	13.45	99
18+20+25+42+42	1.64	1.82	2.28	3.83	3.83	-	13.40 ( 3.50 - 15.60 )	3.03 ( 0.77 - 4.88 )	13.29	99
18+20+25+42+50	1.56	1.73	2.16	3.63	4.32	-	13.40 ( 3.50 - 15.60 )	3.06 ( 0.77 - 4.87 )	13.45	99
18+20+25+42+60	1.46	1.62	2.03	3.41	4.87	-	13.39 ( 3.50 - 15.60 )	3.06 ( 0.77 - 4.87 )	13.45	99
18+20+25+42+71	1.37	1.52	1.90	3.20	5.41	-	13.40 ( 3.50 - 15.60 )	3.06 ( 0.77 - 4.87 )	13.45	99
18+20+25+50+50	1.48	1.64	2.06	4.11	4.11	-	13.40 ( 3.50 - 15.60 )	3.06 ( 0.77 - 4.87 )	13.45	99
18+20+25+50+60	1.39	1.55	1.94	3.87	4.65	-	13.40 ( 3.50 - 15.60 )	3.06 ( 0.77 - 4.87 )	13.45	99
18+20+35+35+35	1.69	1.87	3.28	3.28	3.28	-	13.40 ( 3.50 - 15.60 )	3.04 ( 0.77 - 4.89 )	13.33	99
18+20+35+35+42	1.61	1.79	3.13	3.13	3.75	-	13.41 ( 3.50 - 15.60 )	3.03 ( 0.77 - 4.88 )	13.29	99
18+20+35+35+50	1.53	1.70	2.97	2.97	4.24	-	13.41 ( 3.50 - 15.60 )	3.02 ( 0.77 - 4.87 )	13.25	99
18+20+35+35+60	1.44	1.60	2.79	2.79	4.79	-	13.41 ( 3.50 - 15.60 )	3.02 ( 0.77 - 4.87 )	13.25	99
18+20+35+35+71	1.35	1.50	2.62	2.62	5.32	-	13.41 ( 3.50 - 15.60 )	3.06 ( 0.77 - 4.87 )	13.45	99

# MXZ-6D122VA HEATING

Indoor units combination	Heating Capacity (kW)							Outdoor unit power consumption (kW)	Current (A)	Power factor (%)
	Unit A	Unit B	Unit C	Unit D	Unit E	Unit F	Total			
18+20+35+42+42	1.54	1.71	2.99	3.58	3.58	-	13.40 ( 3.50 - 15.60 )	3.02 ( 0.77 - 4.88 )	13.27	99
18+20+35+42+50	1.46	1.62	2.84	3.41	4.06	-	13.39 ( 3.50 - 15.60 )	3.06 ( 0.77 - 4.87 )	13.45	99
18+20+35+42+60	1.38	1.53	2.68	3.22	4.59	-	13.40 ( 3.50 - 15.60 )	3.06 ( 0.77 - 4.87 )	13.45	99
18+20+35+50+50	1.39	1.55	2.71	3.87	3.87	-	13.39 ( 3.50 - 15.60 )	3.06 ( 0.77 - 4.87 )	13.45	99
18+20+42+42+42	1.47	1.63	3.43	3.43	3.43	-	13.39 ( 3.50 - 15.60 )	3.06 ( 0.77 - 4.87 )	13.45	99
18+20+42+42+50	1.40	1.56	3.27	3.27	3.90	-	13.40 ( 3.50 - 15.60 )	3.06 ( 0.77 - 4.87 )	13.45	99
18+20+42+50+50	1.34	1.49	3.13	3.72	3.72	-	13.40 ( 3.50 - 15.60 )	3.06 ( 0.77 - 4.87 )	13.45	99
18+22+22+22+22	2.28	2.78	2.78	2.78	2.78	-	13.40 ( 3.50 - 15.60 )	3.05 ( 0.77 - 4.90 )	13.37	99
18+22+22+22+25	2.21	2.70	2.70	2.70	3.07	-	13.38 ( 3.50 - 15.60 )	3.05 ( 0.77 - 4.90 )	13.37	99
18+22+22+22+35	2.03	2.48	2.48	2.48	3.94	-	13.41 ( 3.50 - 15.60 )	3.05 ( 0.77 - 4.90 )	13.37	99
18+22+22+22+42	1.91	2.34	2.34	2.34	4.47	-	13.40 ( 3.50 - 15.60 )	3.04 ( 0.77 - 4.89 )	13.33	99
18+22+22+22+50	1.80	2.20	2.20	2.20	5.00	-	13.40 ( 3.50 - 15.60 )	3.02 ( 0.77 - 4.87 )	13.25	99
18+22+22+22+60	1.68	2.05	2.05	2.05	5.58	-	13.41 ( 3.50 - 15.60 )	3.02 ( 0.77 - 4.87 )	13.25	99
18+22+22+22+71	1.56	1.90	1.90	1.90	6.14	-	13.40 ( 3.50 - 15.60 )	3.06 ( 0.77 - 4.87 )	13.45	99
18+22+22+25+25	2.15	2.63	2.63	2.99	2.99	-	13.39 ( 3.50 - 15.60 )	3.05 ( 0.77 - 4.90 )	13.37	99
18+22+22+25+35	1.98	2.42	2.42	2.75	3.84	-	13.41 ( 3.50 - 15.60 )	3.04 ( 0.77 - 4.89 )	13.33	99
18+22+22+25+42	1.87	2.29	2.29	2.60	4.36	-	13.41 ( 3.50 - 15.60 )	3.03 ( 0.77 - 4.88 )	13.29	99
18+22+22+25+50	1.76	2.15	2.15	2.45	4.89	-	13.40 ( 3.50 - 15.60 )	3.02 ( 0.77 - 4.87 )	13.25	99
18+22+22+25+60	1.64	2.01	2.01	2.28	5.47	-	13.41 ( 3.50 - 15.60 )	3.02 ( 0.77 - 4.87 )	13.25	99
18+22+22+25+71	1.53	1.87	1.87	2.12	6.02	-	13.41 ( 3.50 - 15.60 )	3.06 ( 0.77 - 4.87 )	13.45	99
18+22+22+35+35	1.83	2.23	2.23	3.55	3.55	-	13.39 ( 3.50 - 15.60 )	3.04 ( 0.77 - 4.89 )	13.33	99
18+22+22+35+42	1.74	2.12	2.12	3.37	4.05	-	13.40 ( 3.50 - 15.60 )	3.03 ( 0.77 - 4.88 )	13.29	99
18+22+22+35+50	1.64	2.01	2.01	3.19	4.56	-	13.41 ( 3.50 - 15.60 )	3.02 ( 0.77 - 4.87 )	13.25	99
18+22+22+35+60	1.54	1.88	1.88	2.99	5.12	-	13.41 ( 3.50 - 15.60 )	3.06 ( 0.77 - 4.87 )	13.45	99
18+22+22+35+71	1.44	1.75	1.75	2.79	5.66	-	13.39 ( 3.50 - 15.60 )	3.06 ( 0.77 - 4.87 )	13.45	99
18+22+22+42+42	1.65	2.02	2.02	3.85	3.85	-	13.39 ( 3.50 - 15.60 )	3.02 ( 0.77 - 4.87 )	13.25	99
18+22+22+42+50	1.57	1.91	1.91	3.65	4.35	-	13.39 ( 3.50 - 15.60 )	3.06 ( 0.77 - 4.87 )	13.45	99
18+22+22+42+60	1.47	1.80	1.80	3.43	4.90	-	13.40 ( 3.50 - 15.60 )	3.06 ( 0.77 - 4.87 )	13.45	99
18+22+22+42+71	1.38	1.68	1.68	3.22	5.44	-	13.40 ( 3.50 - 15.60 )	3.06 ( 0.77 - 4.87 )	13.45	99
18+22+22+50+50	1.49	1.82	1.82	4.14	4.14	-	13.41 ( 3.50 - 15.60 )	3.06 ( 0.77 - 4.87 )	13.45	99
18+22+22+50+60	1.40	1.71	1.71	3.90	4.67	-	13.39 ( 3.50 - 15.60 )	3.06 ( 0.77 - 4.87 )	13.45	99
18+22+25+25+25	2.10	2.56	2.91	2.91	2.91	-	13.39 ( 3.50 - 15.60 )	3.04 ( 0.77 - 4.89 )	13.33	99
18+22+25+25+35	1.93	2.36	2.68	2.68	3.75	-	13.40 ( 3.50 - 15.60 )	3.04 ( 0.77 - 4.89 )	13.33	99
18+22+25+25+42	1.83	2.23	2.54	2.54	4.26	-	13.40 ( 3.50 - 15.60 )	3.03 ( 0.77 - 4.88 )	13.29	99
18+22+25+25+50	1.72	2.11	2.39	2.39	4.79	-	13.40 ( 3.50 - 15.60 )	3.02 ( 0.77 - 4.87 )	13.25	99
18+22+25+25+60	1.61	1.97	2.23	2.23	5.36	-	13.40 ( 3.50 - 15.60 )	3.06 ( 0.77 - 4.87 )	13.45	99

# MXZ-6D122VA HEATING

Indoor units combination	Heating Capacity (kW)							Outdoor unit power consumption (kW)	Current (A)	Power factor (%)
	Unit A	Unit B	Unit C	Unit D	Unit E	Unit F	Total			
18+22+25+25+71	1.50	1.83	2.08	2.08	5.91	-	13.40 ( 3.50 - 15.60 )	3.06 ( 0.77 - 4.87 )	13.45	99
18+22+25+35+35	1.79	2.18	2.48	3.47	3.47	-	13.39 ( 3.50 - 15.60 )	3.04 ( 0.77 - 4.89 )	13.33	99
18+22+25+35+42	1.70	2.08	2.36	3.30	3.96	-	13.40 ( 3.50 - 15.60 )	3.03 ( 0.77 - 4.88 )	13.29	99
18+22+25+35+50	1.61	1.97	2.23	3.13	4.47	-	13.41 ( 3.50 - 15.60 )	3.02 ( 0.77 - 4.87 )	13.25	99
18+22+25+35+60	1.51	1.84	2.09	2.93	5.03	-	13.40 ( 3.50 - 15.60 )	3.06 ( 0.77 - 4.87 )	13.45	99
18+22+25+35+71	1.41	1.72	1.96	2.74	5.56	-	13.39 ( 3.50 - 15.60 )	3.06 ( 0.77 - 4.87 )	13.45	99
18+22+25+42+42	1.62	1.98	2.25	3.78	3.78	-	13.41 ( 3.50 - 15.60 )	3.02 ( 0.77 - 4.87 )	13.25	99
18+22+25+42+50	1.54	1.88	2.13	3.58	4.27	-	13.40 ( 3.50 - 15.60 )	3.06 ( 0.77 - 4.87 )	13.45	99
18+22+25+42+60	1.44	1.77	2.01	3.37	4.81	-	13.40 ( 3.50 - 15.60 )	3.06 ( 0.77 - 4.87 )	13.45	99
18+22+25+42+71	1.36	1.66	1.88	3.16	5.34	-	13.40 ( 3.50 - 15.60 )	3.06 ( 0.77 - 4.87 )	13.45	99
18+22+25+50+50	1.46	1.79	2.03	4.06	4.06	-	13.40 ( 3.50 - 15.60 )	3.06 ( 0.77 - 4.87 )	13.45	99
18+22+25+50+60	1.38	1.68	1.91	3.83	4.59	-	13.39 ( 3.50 - 15.60 )	3.06 ( 0.77 - 4.87 )	13.45	99
18+22+35+35+35	1.66	2.03	3.23	3.23	3.23	-	13.38 ( 3.50 - 15.60 )	3.04 ( 0.77 - 4.89 )	13.33	99
18+22+35+35+42	1.59	1.94	3.09	3.09	3.70	-	13.41 ( 3.50 - 15.60 )	3.03 ( 0.77 - 4.88 )	13.29	99
18+22+35+35+50	1.51	1.84	2.93	2.93	4.19	-	13.40 ( 3.50 - 15.60 )	3.06 ( 0.77 - 4.87 )	13.45	99
18+22+35+35+60	1.42	1.73	2.76	2.76	4.73	-	13.40 ( 3.50 - 15.60 )	3.06 ( 0.77 - 4.87 )	13.45	99
18+22+35+42+42	1.52	1.85	2.95	3.54	3.54	-	13.40 ( 3.50 - 15.60 )	3.02 ( 0.77 - 4.87 )	13.25	99
18+22+35+42+50	1.44	1.77	2.81	3.37	4.01	-	13.40 ( 3.50 - 15.60 )	3.06 ( 0.77 - 4.87 )	13.45	99
18+22+35+42+60	1.36	1.67	2.65	3.18	4.54	-	13.40 ( 3.50 - 15.60 )	3.06 ( 0.77 - 4.87 )	13.45	99
18+22+35+50+50	1.38	1.68	2.68	3.83	3.83	-	13.40 ( 3.50 - 15.60 )	3.06 ( 0.77 - 4.87 )	13.45	99
18+22+42+42+42	1.45	1.78	3.39	3.39	3.39	-	13.40 ( 3.50 - 15.60 )	3.06 ( 0.77 - 4.87 )	13.45	99
18+22+42+42+50	1.39	1.69	3.23	3.23	3.85	-	13.39 ( 3.50 - 15.60 )	3.06 ( 0.77 - 4.87 )	13.45	99
18+25+25+25+25	2.04	2.84	2.84	2.84	2.84	-	13.40 ( 3.50 - 15.60 )	3.04 ( 0.77 - 4.89 )	13.33	99
18+25+25+25+35	1.88	2.62	2.62	2.62	3.66	-	13.40 ( 3.50 - 15.60 )	3.04 ( 0.77 - 4.89 )	13.33	99
18+25+25+25+42	1.79	2.48	2.48	2.48	4.17	-	13.40 ( 3.50 - 15.60 )	3.03 ( 0.77 - 4.88 )	13.29	99
18+25+25+25+50	1.69	2.34	2.34	2.34	4.69	-	13.40 ( 3.50 - 15.60 )	3.02 ( 0.77 - 4.87 )	13.25	99
18+25+25+25+60	1.58	2.19	2.19	2.19	5.25	-	13.40 ( 3.50 - 15.60 )	3.06 ( 0.77 - 4.87 )	13.45	99
18+25+25+25+71	1.47	2.04	2.04	2.04	5.80	-	13.39 ( 3.50 - 15.60 )	3.06 ( 0.77 - 4.87 )	13.45	99
18+25+25+35+35	1.75	2.43	2.43	3.40	3.40	-	13.41 ( 3.50 - 15.60 )	3.04 ( 0.77 - 4.89 )	13.33	99
18+25+25+35+42	1.66	2.31	2.31	3.23	3.88	-	13.39 ( 3.50 - 15.60 )	3.03 ( 0.77 - 4.88 )	13.29	99
18+25+25+35+50	1.58	2.19	2.19	3.07	4.38	-	13.41 ( 3.50 - 15.60 )	3.06 ( 0.77 - 4.87 )	13.45	99
18+25+25+35+60	1.48	2.06	2.06	2.88	4.93	-	13.41 ( 3.50 - 15.60 )	3.06 ( 0.77 - 4.87 )	13.45	99
18+25+25+35+71	1.39	1.93	1.93	2.70	5.47	-	13.42 ( 3.50 - 15.60 )	3.06 ( 0.77 - 4.87 )	13.45	99
18+25+25+42+42	1.59	2.20	2.20	3.70	3.70	-	13.39 ( 3.50 - 15.60 )	3.02 ( 0.77 - 4.87 )	13.25	99
18+25+25+42+50	1.51	2.09	2.09	3.52	4.19	-	13.40 ( 3.50 - 15.60 )	3.06 ( 0.77 - 4.87 )	13.45	99
18+25+25+42+60	1.42	1.97	1.97	3.31	4.73	-	13.40 ( 3.50 - 15.60 )	3.06 ( 0.77 - 4.87 )	13.45	99

# MXZ-6D122VA HEATING

Indoor units combination	Heating Capacity (kW)							Outdoor unit power consumption (kW)	Current (A)	Power factor (%)
	Unit A	Unit B	Unit C	Unit D	Unit E	Unit F	Total			
18+25+25+50+50	1.44	1.99	1.99	3.99	3.99	-	13.40 ( 3.50 - 15.60 )	3.06 ( 0.77 - 4.87 )	13.45	99
18+25+25+50+60	1.36	1.88	1.88	3.76	4.52	-	13.40 ( 3.50 - 15.60 )	3.06 ( 0.77 - 4.87 )	13.45	99
18+25+35+35+35	1.63	2.26	3.17	3.17	3.17	-	13.40 ( 3.50 - 15.60 )	3.03 ( 0.77 - 4.88 )	13.29	99
18+25+35+35+42	1.56	2.16	3.03	3.03	3.63	-	13.41 ( 3.50 - 15.60 )	3.02 ( 0.77 - 4.88 )	13.27	99
18+25+35+35+50	1.48	2.06	2.88	2.88	4.11	-	13.41 ( 3.50 - 15.60 )	3.06 ( 0.77 - 4.87 )	13.45	99
18+25+35+35+60	1.39	1.94	2.71	2.71	4.65	-	13.40 ( 3.50 - 15.60 )	3.06 ( 0.77 - 4.87 )	13.45	99
18+25+35+42+42	1.49	2.07	2.90	3.47	3.47	-	13.40 ( 3.50 - 15.60 )	3.06 ( 0.77 - 4.87 )	13.45	99
18+25+35+42+50	1.42	1.97	2.76	3.31	3.94	-	13.40 ( 3.50 - 15.60 )	3.06 ( 0.77 - 4.87 )	13.45	99
18+25+35+42+60	1.34	1.86	2.61	3.13	4.47	-	13.41 ( 3.50 - 15.60 )	3.06 ( 0.77 - 4.87 )	13.45	99
18+25+35+50+50	1.36	1.88	2.63	3.76	3.76	-	13.39 ( 3.50 - 15.60 )	3.06 ( 0.77 - 4.87 )	13.45	99
18+25+42+42+42	1.43	1.98	3.33	3.33	3.33	-	13.40 ( 3.50 - 15.60 )	3.06 ( 0.77 - 4.87 )	13.45	99
18+25+42+42+50	1.36	1.89	3.18	3.18	3.79	-	13.40 ( 3.50 - 15.60 )	3.06 ( 0.77 - 4.87 )	13.45	99
18+35+35+35+35	1.53	2.97	2.97	2.97	2.97	-	13.41 ( 3.50 - 15.60 )	3.03 ( 0.77 - 4.88 )	13.29	99
18+35+35+35+42	1.46	2.84	2.84	2.84	3.41	-	13.39 ( 3.50 - 15.60 )	3.02 ( 0.77 - 4.87 )	13.25	99
18+35+35+35+50	1.39	2.71	2.71	2.71	3.87	-	13.39 ( 3.50 - 15.60 )	3.06 ( 0.77 - 4.87 )	13.45	99
18+35+35+42+42	1.40	2.73	2.73	3.27	3.27	-	13.40 ( 3.50 - 15.60 )	3.06 ( 0.77 - 4.87 )	13.45	99
18+35+35+42+50	1.34	2.61	2.61	3.13	3.72	-	13.41 ( 3.50 - 15.60 )	3.06 ( 0.77 - 4.87 )	13.45	99
18+35+42+42+42	1.35	2.62	3.14	3.14	3.14	-	13.39 ( 3.50 - 15.60 )	3.06 ( 0.77 - 4.87 )	13.45	99
20+20+20+20+20	2.20	2.20	2.20	2.20	2.20	-	11.00 ( 3.40 - 14.90 )	2.64 ( 0.80 - 5.64 )	11.59	99
20+20+20+20+22	2.37	2.37	2.37	2.37	2.61	-	12.09 ( 3.50 - 15.10 )	2.73 ( 0.79 - 4.85 )	11.99	99
20+20+20+20+25	2.38	2.38	2.38	2.38	2.98	-	12.50 ( 3.50 - 15.10 )	2.77 ( 0.78 - 4.85 )	12.15	99
20+20+20+20+35	2.28	2.28	2.28	2.28	3.99	-	13.11 ( 3.50 - 15.20 )	2.82 ( 0.77 - 4.46 )	12.38	99
20+20+20+20+42	2.20	2.20	2.20	2.20	4.61	-	13.41 ( 3.50 - 15.60 )	3.05 ( 0.77 - 4.91 )	13.41	99
20+20+20+20+50	2.06	2.06	2.06	2.06	5.15	-	13.39 ( 3.50 - 15.60 )	3.05 ( 0.77 - 4.90 )	13.37	99
20+20+20+20+60	1.91	1.91	1.91	1.91	5.74	-	13.38 ( 3.50 - 15.60 )	3.05 ( 0.77 - 4.90 )	13.37	99
20+20+20+20+71	1.77	1.77	1.77	1.77	6.30	-	13.38 ( 3.50 - 15.60 )	3.04 ( 0.77 - 4.89 )	13.33	99
20+20+20+22+22	2.54	2.54	2.54	2.79	2.79	-	13.20 ( 3.50 - 15.30 )	2.90 ( 0.77 - 4.57 )	12.74	99
20+20+20+22+25	2.49	2.49	2.49	2.73	3.11	-	13.31 ( 3.50 - 15.40 )	2.97 ( 0.77 - 4.69 )	13.06	99
20+20+20+22+35	2.27	2.27	2.27	2.50	3.98	-	13.29 ( 3.50 - 15.50 )	2.97 ( 0.77 - 4.80 )	13.06	99
20+20+20+22+42	2.16	2.16	2.16	2.38	4.54	-	13.40 ( 3.50 - 15.60 )	3.05 ( 0.77 - 4.91 )	13.39	99
20+20+20+22+50	2.03	2.03	2.03	2.23	5.08	-	13.40 ( 3.50 - 15.60 )	3.05 ( 0.77 - 4.90 )	13.37	99
20+20+20+22+60	1.89	1.89	1.89	2.08	5.66	-	13.41 ( 3.50 - 15.60 )	3.04 ( 0.77 - 4.89 )	13.33	99
20+20+20+22+71	1.75	1.75	1.75	1.93	6.22	-	13.40 ( 3.50 - 15.60 )	3.04 ( 0.77 - 4.89 )	13.33	99
20+20+20+25+25	2.42	2.42	2.42	3.02	3.02	-	13.30 ( 3.50 - 15.50 )	2.97 ( 0.77 - 4.80 )	13.06	99
20+20+20+25+35	2.23	2.23	2.23	2.79	3.91	-	13.39 ( 3.50 - 15.60 )	3.05 ( 0.77 - 4.91 )	13.41	99
20+20+20+25+42	2.11	2.11	2.11	2.64	4.43	-	13.40 ( 3.50 - 15.60 )	3.05 ( 0.77 - 4.90 )	13.37	99

# MXZ-6D122VA HEATING

Indoor units combination	Heating Capacity (kW)							Outdoor unit power consumption (kW)	Current (A)	Power factor (%)
	Unit A	Unit B	Unit C	Unit D	Unit E	Unit F	Total			
20+20+20+25+50	1.99	1.99	1.99	2.48	4.96	-	13.41 ( 3.50 - 15.60 )	3.04 ( 0.77 - 4.89 )	13.33	99
20+20+20+25+60	1.85	1.85	1.85	2.31	5.54	-	13.40 ( 3.50 - 15.60 )	3.04 ( 0.77 - 4.89 )	13.33	99
20+20+20+25+71	1.72	1.72	1.72	2.15	6.10	-	13.41 ( 3.50 - 15.60 )	3.03 ( 0.77 - 4.88 )	13.29	99
20+20+20+35+35	2.06	2.06	2.06	3.61	3.61	-	13.40 ( 3.50 - 15.60 )	3.05 ( 0.77 - 4.91 )	13.41	99
20+20+20+35+42	1.96	1.96	1.96	3.42	4.11	-	13.41 ( 3.50 - 15.60 )	3.05 ( 0.77 - 4.90 )	13.37	99
20+20+20+35+50	1.85	1.85	1.85	3.23	4.62	-	13.40 ( 3.50 - 15.60 )	3.04 ( 0.77 - 4.89 )	13.33	99
20+20+20+35+60	1.73	1.73	1.73	3.03	5.19	-	13.41 ( 3.50 - 15.60 )	3.04 ( 0.77 - 4.89 )	13.33	99
20+20+20+35+71	1.61	1.61	1.61	2.83	5.73	-	13.39 ( 3.50 - 15.60 )	3.03 ( 0.77 - 4.88 )	13.29	99
20+20+20+42+42	1.86	1.86	1.86	3.91	3.91	-	13.40 ( 3.50 - 15.60 )	3.04 ( 0.77 - 4.89 )	13.33	99
20+20+20+42+50	1.76	1.76	1.76	3.70	4.41	-	13.39 ( 3.50 - 15.60 )	3.03 ( 0.77 - 4.88 )	13.29	99
20+20+20+42+60	1.65	1.65	1.65	3.47	4.96	-	13.38 ( 3.50 - 15.60 )	3.03 ( 0.77 - 4.88 )	13.29	99
20+20+20+42+71	1.55	1.55	1.55	3.25	5.50	-	13.40 ( 3.50 - 15.60 )	3.02 ( 0.77 - 4.87 )	13.25	99
20+20+20+50+50	1.68	1.68	1.68	4.19	4.19	-	13.42 ( 3.50 - 15.60 )	3.02 ( 0.77 - 4.87 )	13.25	99
20+20+20+50+60	1.58	1.58	1.58	3.94	4.73	-	13.41 ( 3.50 - 15.60 )	3.06 ( 0.77 - 4.87 )	13.45	99
20+20+20+60+60	1.49	1.49	1.49	4.47	4.47	-	13.41 ( 3.50 - 15.60 )	3.06 ( 0.77 - 4.87 )	13.45	99
20+20+22+22+22	2.53	2.53	2.78	2.78	2.78	-	13.40 ( 3.50 - 15.60 )	3.05 ( 0.77 - 4.91 )	13.41	99
20+20+22+22+25	2.46	2.46	2.70	2.70	3.07	-	13.39 ( 3.50 - 15.60 )	3.05 ( 0.77 - 4.91 )	13.41	99
20+20+22+22+35	2.25	2.25	2.48	2.48	3.94	-	13.40 ( 3.50 - 15.60 )	3.05 ( 0.77 - 4.91 )	13.41	99
20+20+22+22+42	2.13	2.13	2.34	2.34	4.47	-	13.41 ( 3.50 - 15.60 )	3.05 ( 0.77 - 4.90 )	13.37	99
20+20+22+22+50	2.00	2.00	2.20	2.20	5.00	-	13.40 ( 3.50 - 15.60 )	3.04 ( 0.77 - 4.89 )	13.33	99
20+20+22+22+60	1.86	1.86	2.05	2.05	5.58	-	13.40 ( 3.50 - 15.60 )	3.03 ( 0.77 - 4.88 )	13.29	99
20+20+22+22+71	1.73	1.73	1.90	1.90	6.14	-	13.40 ( 3.50 - 15.60 )	3.03 ( 0.77 - 4.88 )	13.29	99
20+20+22+25+25	2.39	2.39	2.63	2.99	2.99	-	13.39 ( 3.50 - 15.60 )	3.05 ( 0.77 - 4.91 )	13.41	99
20+20+22+25+35	2.20	2.20	2.42	2.75	3.84	-	13.41 ( 3.50 - 15.60 )	3.05 ( 0.77 - 4.91 )	13.39	99
20+20+22+25+42	2.08	2.08	2.29	2.60	4.36	-	13.41 ( 3.50 - 15.60 )	3.05 ( 0.77 - 4.90 )	13.37	99
20+20+22+25+50	1.96	1.96	2.15	2.45	4.89	-	13.41 ( 3.50 - 15.60 )	3.04 ( 0.77 - 4.89 )	13.33	99
20+20+22+25+60	1.82	1.82	2.01	2.28	5.47	-	13.40 ( 3.50 - 15.60 )	3.03 ( 0.77 - 4.88 )	13.29	99
20+20+22+25+71	1.70	1.70	1.87	2.12	6.02	-	13.41 ( 3.50 - 15.60 )	3.03 ( 0.77 - 4.88 )	13.29	99
20+20+22+35+35	2.03	2.03	2.23	3.55	3.55	-	13.39 ( 3.50 - 15.60 )	3.05 ( 0.77 - 4.90 )	13.37	99
20+20+22+35+42	1.93	1.93	2.12	3.37	4.05	-	13.40 ( 3.50 - 15.60 )	3.05 ( 0.77 - 4.90 )	13.37	99
20+20+22+35+50	1.82	1.82	2.01	3.19	4.56	-	13.40 ( 3.50 - 15.60 )	3.03 ( 0.77 - 4.88 )	13.29	99
20+20+22+35+60	1.71	1.71	1.88	2.99	5.12	-	13.41 ( 3.50 - 15.60 )	3.03 ( 0.77 - 4.88 )	13.29	99
20+20+22+35+71	1.60	1.60	1.75	2.79	5.66	-	13.40 ( 3.50 - 15.60 )	3.03 ( 0.77 - 4.88 )	13.29	99
20+20+22+42+42	1.84	1.84	2.02	3.85	3.85	-	13.40 ( 3.50 - 15.60 )	3.04 ( 0.77 - 4.89 )	13.33	99
20+20+22+42+50	1.74	1.74	1.91	3.65	4.35	-	13.39 ( 3.50 - 15.60 )	3.02 ( 0.77 - 4.88 )	13.27	99
20+20+22+42+60	1.63	1.63	1.80	3.43	4.90	-	13.39 ( 3.50 - 15.60 )	3.02 ( 0.77 - 4.87 )	13.25	99



# MXZ-6D122VA HEATING

Indoor units combination	Heating Capacity (kW)							Outdoor unit power consumption (kW)	Current (A)	Power factor (%)
	Unit A	Unit B	Unit C	Unit D	Unit E	Unit F	Total			
20+20+22+42+71	1.53	1.53	1.68	3.22	5.44	-	13.40 ( 3.50 - 15.60 )	3.06 ( 0.77 - 4.87 )	13.45	99
20+20+22+50+50	1.65	1.65	1.82	4.14	4.14	-	13.40 ( 3.50 - 15.60 )	3.06 ( 0.77 - 4.87 )	13.45	99
20+20+22+50+60	1.56	1.56	1.71	3.90	4.67	-	13.40 ( 3.50 - 15.60 )	3.06 ( 0.77 - 4.87 )	13.45	99
20+20+25+25+25	2.33	2.33	2.91	2.91	2.91	-	13.39 ( 3.50 - 15.60 )	3.05 ( 0.77 - 4.91 )	13.41	99
20+20+25+25+35	2.14	2.14	2.68	2.68	3.75	-	13.39 ( 3.50 - 15.60 )	3.05 ( 0.77 - 4.90 )	13.37	99
20+20+25+25+42	2.03	2.03	2.54	2.54	4.26	-	13.40 ( 3.50 - 15.60 )	3.05 ( 0.77 - 4.90 )	13.37	99
20+20+25+25+50	1.91	1.91	2.39	2.39	4.79	-	13.39 ( 3.50 - 15.60 )	3.03 ( 0.77 - 4.88 )	13.29	99
20+20+25+25+60	1.79	1.79	2.23	2.23	5.36	-	13.40 ( 3.50 - 15.60 )	3.03 ( 0.77 - 4.88 )	13.29	99
20+20+25+25+71	1.66	1.66	2.08	2.08	5.91	-	13.39 ( 3.50 - 15.60 )	3.03 ( 0.77 - 4.88 )	13.29	99
20+20+25+35+35	1.99	1.99	2.48	3.47	3.47	-	13.40 ( 3.50 - 15.60 )	3.05 ( 0.77 - 4.90 )	13.37	99
20+20+25+35+42	1.89	1.89	2.36	3.30	3.96	-	13.40 ( 3.50 - 15.60 )	3.04 ( 0.77 - 4.89 )	13.33	99
20+20+25+35+50	1.79	1.79	2.23	3.13	4.47	-	13.41 ( 3.50 - 15.60 )	3.03 ( 0.77 - 4.88 )	13.29	99
20+20+25+35+60	1.68	1.68	2.09	2.93	5.03	-	13.41 ( 3.50 - 15.60 )	3.03 ( 0.77 - 4.88 )	13.29	99
20+20+25+35+71	1.57	1.57	1.96	2.74	5.56	-	13.40 ( 3.50 - 15.60 )	3.02 ( 0.77 - 4.87 )	13.25	99
20+20+25+42+42	1.80	1.80	2.25	3.78	3.78	-	13.41 ( 3.50 - 15.60 )	3.03 ( 0.77 - 4.88 )	13.29	99
20+20+25+42+50	1.71	1.71	2.13	3.58	4.27	-	13.40 ( 3.50 - 15.60 )	3.02 ( 0.77 - 4.87 )	13.25	99
20+20+25+42+60	1.60	1.60	2.01	3.37	4.81	-	13.39 ( 3.50 - 15.60 )	3.02 ( 0.77 - 4.87 )	13.25	99
20+20+25+42+71	1.51	1.51	1.88	3.16	5.34	-	13.40 ( 3.50 - 15.60 )	3.06 ( 0.77 - 4.87 )	13.45	99
20+20+25+50+50	1.62	1.62	2.03	4.06	4.06	-	13.39 ( 3.50 - 15.60 )	3.06 ( 0.77 - 4.87 )	13.45	99
20+20+25+50+60	1.53	1.53	1.91	3.83	4.59	-	13.39 ( 3.50 - 15.60 )	3.06 ( 0.77 - 4.87 )	13.45	99
20+20+35+35+35	1.85	1.85	3.23	3.23	3.23	-	13.39 ( 3.50 - 15.60 )	3.05 ( 0.77 - 4.90 )	13.37	99
20+20+35+35+42	1.76	1.76	3.09	3.09	3.70	-	13.40 ( 3.50 - 15.60 )	3.04 ( 0.77 - 4.89 )	13.33	99
20+20+35+35+50	1.68	1.68	2.93	2.93	4.19	-	13.41 ( 3.50 - 15.60 )	3.03 ( 0.77 - 4.88 )	13.29	99
20+20+35+35+60	1.58	1.58	2.76	2.76	4.73	-	13.41 ( 3.50 - 15.60 )	3.02 ( 0.77 - 4.88 )	13.27	99
20+20+35+42+42	1.69	1.69	2.95	3.54	3.54	-	13.41 ( 3.50 - 15.60 )	3.03 ( 0.77 - 4.88 )	13.29	99
20+20+35+42+50	1.60	1.60	2.81	3.37	4.01	-	13.39 ( 3.50 - 15.60 )	3.02 ( 0.77 - 4.87 )	13.25	99
20+20+35+42+60	1.51	1.51	2.65	3.18	4.54	-	13.39 ( 3.50 - 15.60 )	3.06 ( 0.77 - 4.87 )	13.45	99
20+20+35+50+50	1.53	1.53	2.68	3.83	3.83	-	13.40 ( 3.50 - 15.60 )	3.06 ( 0.77 - 4.87 )	13.45	99
20+20+42+42+42	1.61	1.61	3.39	3.39	3.39	-	13.39 ( 3.50 - 15.60 )	3.02 ( 0.77 - 4.87 )	13.25	99
20+20+42+42+50	1.54	1.54	3.23	3.23	3.85	-	13.39 ( 3.50 - 15.60 )	3.06 ( 0.77 - 4.87 )	13.45	99
20+22+22+22+22	2.48	2.73	2.73	2.73	2.73	-	13.40 ( 3.50 - 15.60 )	3.05 ( 0.77 - 4.90 )	13.37	99
20+22+22+22+25	2.41	2.66	2.66	2.66	3.02	-	13.41 ( 3.50 - 15.60 )	3.05 ( 0.77 - 4.90 )	13.37	99
20+22+22+22+35	2.21	2.44	2.44	2.44	3.88	-	13.41 ( 3.50 - 15.60 )	3.05 ( 0.77 - 4.90 )	13.37	99
20+22+22+22+42	2.09	2.30	2.30	2.30	4.40	-	13.39 ( 3.50 - 15.60 )	3.04 ( 0.77 - 4.89 )	13.33	99
20+22+22+22+50	1.97	2.17	2.17	2.17	4.93	-	13.41 ( 3.50 - 15.60 )	3.03 ( 0.77 - 4.88 )	13.29	99
20+22+22+22+60	1.84	2.02	2.02	2.02	5.51	-	13.41 ( 3.50 - 15.60 )	3.03 ( 0.77 - 4.88 )	13.29	99

# MXZ-6D122VA HEATING

Indoor units combination	Heating Capacity (kW)							Outdoor unit power consumption (kW)	Current (A)	Power factor (%)
	Unit A	Unit B	Unit C	Unit D	Unit E	Unit F	Total			
20+22+22+22+71	1.71	1.88	1.88	1.88	6.06	-	13.41 ( 3.50 - 15.60 )	3.02 ( 0.77 - 4.87 )	13.25	99
20+22+22+25+25	2.35	2.59	2.59	2.94	2.94	-	13.41 ( 3.50 - 15.60 )	3.05 ( 0.77 - 4.90 )	13.37	99
20+22+22+25+35	2.16	2.38	2.38	2.70	3.78	-	13.40 ( 3.50 - 15.60 )	3.05 ( 0.77 - 4.90 )	13.37	99
20+22+22+25+42	2.05	2.25	2.25	2.56	4.30	-	13.41 ( 3.50 - 15.60 )	3.04 ( 0.77 - 4.89 )	13.33	99
20+22+22+25+50	1.93	2.12	2.12	2.41	4.82	-	13.40 ( 3.50 - 15.60 )	3.03 ( 0.77 - 4.88 )	13.29	99
20+22+22+25+60	1.80	1.98	1.98	2.25	5.40	-	13.41 ( 3.50 - 15.60 )	3.02 ( 0.77 - 4.88 )	13.27	99
20+22+22+25+71	1.68	1.84	1.84	2.09	5.95	-	13.40 ( 3.50 - 15.60 )	3.02 ( 0.77 - 4.87 )	13.25	99
20+22+22+35+35	2.00	2.20	2.20	3.50	3.50	-	13.40 ( 3.50 - 15.60 )	3.05 ( 0.77 - 4.90 )	13.37	99
20+22+22+35+42	1.90	2.09	2.09	3.33	3.99	-	13.40 ( 3.50 - 15.60 )	3.04 ( 0.77 - 4.89 )	13.33	99
20+22+22+35+50	1.80	1.98	1.98	3.15	4.50	-	13.41 ( 3.50 - 15.60 )	3.03 ( 0.77 - 4.88 )	13.29	99
20+22+22+35+60	1.69	1.85	1.85	2.95	5.06	-	13.40 ( 3.50 - 15.60 )	3.02 ( 0.77 - 4.87 )	13.25	99
20+22+22+35+71	1.58	1.73	1.73	2.76	5.60	-	13.40 ( 3.50 - 15.60 )	3.02 ( 0.77 - 4.87 )	13.25	99
20+22+22+42+42	1.81	1.99	1.99	3.80	3.80	-	13.39 ( 3.50 - 15.60 )	3.03 ( 0.77 - 4.88 )	13.29	99
20+22+22+42+50	1.72	1.89	1.89	3.61	4.29	-	13.40 ( 3.50 - 15.60 )	3.02 ( 0.77 - 4.87 )	13.25	99
20+22+22+42+60	1.61	1.78	1.78	3.39	4.84	-	13.40 ( 3.50 - 15.60 )	3.06 ( 0.77 - 4.87 )	13.45	99
20+22+22+42+71	1.51	1.67	1.67	3.18	5.38	-	13.41 ( 3.50 - 15.60 )	3.06 ( 0.77 - 4.87 )	13.45	99
20+22+22+50+50	1.63	1.80	1.80	4.09	4.09	-	13.41 ( 3.50 - 15.60 )	3.06 ( 0.77 - 4.87 )	13.45	99
20+22+22+50+60	1.54	1.69	1.69	3.85	4.62	-	13.39 ( 3.50 - 15.60 )	3.06 ( 0.77 - 4.87 )	13.45	99
20+22+25+25+25	2.29	2.52	2.86	2.86	2.86	-	13.39 ( 3.50 - 15.60 )	3.05 ( 0.77 - 4.90 )	13.37	99
20+22+25+25+35	2.11	2.32	2.64	2.64	3.69	-	13.40 ( 3.50 - 15.60 )	3.05 ( 0.77 - 4.90 )	13.37	99
20+22+25+25+42	2.00	2.20	2.50	2.50	4.20	-	13.40 ( 3.50 - 15.60 )	3.04 ( 0.77 - 4.89 )	13.33	99
20+22+25+25+50	1.89	2.08	2.36	2.36	4.72	-	13.41 ( 3.50 - 15.60 )	3.03 ( 0.77 - 4.88 )	13.29	99
20+22+25+25+60	1.76	1.94	2.20	2.20	5.29	-	13.39 ( 3.50 - 15.60 )	3.02 ( 0.77 - 4.87 )	13.25	99
20+22+25+25+71	1.64	1.81	2.06	2.06	5.84	-	13.41 ( 3.50 - 15.60 )	3.02 ( 0.77 - 4.87 )	13.25	99
20+22+25+35+35	1.96	2.15	2.45	3.42	3.42	-	13.40 ( 3.50 - 15.60 )	3.05 ( 0.77 - 4.90 )	13.37	99
20+22+25+35+42	1.86	2.05	2.33	3.26	3.91	-	13.41 ( 3.50 - 15.60 )	3.04 ( 0.77 - 4.89 )	13.33	99
20+22+25+35+50	1.76	1.94	2.20	3.09	4.41	-	13.40 ( 3.50 - 15.60 )	3.02 ( 0.77 - 4.88 )	13.27	99
20+22+25+35+60	1.65	1.82	2.07	2.90	4.96	-	13.40 ( 3.50 - 15.60 )	3.02 ( 0.77 - 4.87 )	13.25	99
20+22+25+35+71	1.55	1.70	1.94	2.71	5.50	-	13.40 ( 3.50 - 15.60 )	3.06 ( 0.77 - 4.87 )	13.45	99
20+22+25+42+42	1.77	1.95	2.22	3.73	3.73	-	13.40 ( 3.50 - 15.60 )	3.03 ( 0.77 - 4.88 )	13.29	99
20+22+25+42+50	1.69	1.85	2.11	3.54	4.21	-	13.40 ( 3.50 - 15.60 )	3.06 ( 0.77 - 4.87 )	13.45	99
20+22+25+42+60	1.59	1.74	1.98	3.33	4.76	-	13.40 ( 3.50 - 15.60 )	3.06 ( 0.77 - 4.87 )	13.45	99
20+22+25+42+71	1.49	1.64	1.86	3.13	5.29	-	13.41 ( 3.50 - 15.60 )	3.06 ( 0.77 - 4.87 )	13.45	99
20+22+25+50+50	1.60	1.77	2.01	4.01	4.01	-	13.40 ( 3.50 - 15.60 )	3.06 ( 0.77 - 4.87 )	13.45	99
20+22+25+50+60	1.51	1.67	1.89	3.79	4.54	-	13.40 ( 3.50 - 15.60 )	3.06 ( 0.77 - 4.87 )	13.45	99
20+22+35+35+35	1.82	2.01	3.19	3.19	3.19	-	13.40 ( 3.50 - 15.60 )	3.04 ( 0.77 - 4.89 )	13.33	99

# MXZ-6D122VA HEATING

Indoor units combination	Heating Capacity (kW)							Outdoor unit power consumption (kW)	Current (A)	Power factor (%)
	Unit A	Unit B	Unit C	Unit D	Unit E	Unit F	Total			
20+22+35+35+42	1.74	1.91	3.05	3.05	3.65	-	13.40 ( 3.50 - 15.60 )	3.03 ( 0.77 - 4.88 )	13.29	99
20+22+35+35+50	1.65	1.82	2.90	2.90	4.14	-	13.41 ( 3.50 - 15.60 )	3.02 ( 0.77 - 4.87 )	13.25	99
20+22+35+35+60	1.56	1.71	2.73	2.73	4.67	-	13.40 ( 3.50 - 15.60 )	3.02 ( 0.77 - 4.87 )	13.25	99
20+22+35+42+42	1.66	1.83	2.91	3.50	3.50	-	13.40 ( 3.50 - 15.60 )	3.02 ( 0.77 - 4.88 )	13.27	99
20+22+35+42+50	1.59	1.74	2.78	3.33	3.96	-	13.40 ( 3.50 - 15.60 )	3.06 ( 0.77 - 4.87 )	13.45	99
20+22+35+42+60	1.50	1.65	2.62	3.14	4.49	-	13.40 ( 3.50 - 15.60 )	3.06 ( 0.77 - 4.87 )	13.45	99
20+22+35+50+50	1.51	1.67	2.65	3.79	3.79	-	13.41 ( 3.50 - 15.60 )	3.06 ( 0.77 - 4.87 )	13.45	99
20+22+42+42+42	1.60	1.75	3.35	3.35	3.35	-	13.40 ( 3.50 - 15.60 )	3.06 ( 0.77 - 4.87 )	13.45	99
20+22+42+42+50	1.52	1.68	3.20	3.20	3.81	-	13.41 ( 3.50 - 15.60 )	3.06 ( 0.77 - 4.87 )	13.45	99
20+25+25+25+25	2.23	2.79	2.79	2.79	2.79	-	13.39 ( 3.50 - 15.60 )	3.05 ( 0.77 - 4.90 )	13.37	99
20+25+25+25+35	2.06	2.58	2.58	2.58	3.61	-	13.41 ( 3.50 - 15.60 )	3.05 ( 0.77 - 4.90 )	13.37	99
20+25+25+25+42	1.96	2.45	2.45	2.45	4.11	-	13.42 ( 3.50 - 15.60 )	3.04 ( 0.77 - 4.89 )	13.33	99
20+25+25+25+50	1.85	2.31	2.31	2.31	4.62	-	13.40 ( 3.50 - 15.60 )	3.03 ( 0.77 - 4.88 )	13.29	99
20+25+25+25+60	1.73	2.16	2.16	2.16	5.19	-	13.40 ( 3.50 - 15.60 )	3.02 ( 0.77 - 4.87 )	13.25	99
20+25+25+25+71	1.61	2.02	2.02	2.02	5.73	-	13.40 ( 3.50 - 15.60 )	3.06 ( 0.77 - 4.87 )	13.45	99
20+25+25+35+35	1.91	2.39	2.39	3.35	3.35	-	13.39 ( 3.50 - 15.60 )	3.04 ( 0.77 - 4.89 )	13.33	99
20+25+25+35+42	1.82	2.28	2.28	3.19	3.83	-	13.40 ( 3.50 - 15.60 )	3.03 ( 0.77 - 4.88 )	13.29	99
20+25+25+35+50	1.73	2.16	2.16	3.03	4.32	-	13.40 ( 3.50 - 15.60 )	3.02 ( 0.77 - 4.87 )	13.25	99
20+25+25+35+60	1.62	2.03	2.03	2.84	4.87	-	13.39 ( 3.50 - 15.60 )	3.02 ( 0.77 - 4.87 )	13.25	99
20+25+25+35+71	1.52	1.90	1.90	2.66	5.41	-	13.39 ( 3.50 - 15.60 )	3.06 ( 0.77 - 4.87 )	13.45	99
20+25+25+42+42	1.74	2.18	2.18	3.65	3.65	-	13.40 ( 3.50 - 15.60 )	3.03 ( 0.77 - 4.88 )	13.29	99
20+25+25+42+50	1.65	2.07	2.07	3.47	4.14	-	13.40 ( 3.50 - 15.60 )	3.06 ( 0.77 - 4.87 )	13.45	99
20+25+25+42+60	1.56	1.95	1.95	3.27	4.67	-	13.40 ( 3.50 - 15.60 )	3.06 ( 0.77 - 4.87 )	13.45	99
20+25+25+50+50	1.58	1.97	1.97	3.94	3.94	-	13.40 ( 3.50 - 15.60 )	3.06 ( 0.77 - 4.87 )	13.45	99
20+25+25+50+60	1.49	1.86	1.86	3.72	4.47	-	13.40 ( 3.50 - 15.60 )	3.06 ( 0.77 - 4.87 )	13.45	99
20+25+35+35+35	1.79	2.23	3.13	3.13	3.13	-	13.41 ( 3.50 - 15.60 )	3.04 ( 0.77 - 4.89 )	13.33	99
20+25+35+35+42	1.71	2.13	2.99	2.99	3.58	-	13.40 ( 3.50 - 15.60 )	3.03 ( 0.77 - 4.88 )	13.29	99
20+25+35+35+50	1.62	2.03	2.84	2.84	4.06	-	13.39 ( 3.50 - 15.60 )	3.02 ( 0.77 - 4.87 )	13.25	99
20+25+35+35+60	1.53	1.91	2.68	2.68	4.59	-	13.39 ( 3.50 - 15.60 )	3.06 ( 0.77 - 4.87 )	13.45	99
20+25+35+42+42	1.63	2.04	2.86	3.43	3.43	-	13.39 ( 3.50 - 15.60 )	3.02 ( 0.77 - 4.87 )	13.25	99
20+25+35+42+50	1.56	1.95	2.73	3.27	3.90	-	13.41 ( 3.50 - 15.60 )	3.06 ( 0.77 - 4.87 )	13.45	99
20+25+35+50+50	1.49	1.86	2.61	3.72	3.72	-	13.40 ( 3.50 - 15.60 )	3.06 ( 0.77 - 4.87 )	13.45	99
20+25+42+42+42	1.57	1.96	3.29	3.29	3.29	-	13.40 ( 3.50 - 15.60 )	3.06 ( 0.77 - 4.87 )	13.45	99
20+25+42+42+50	1.50	1.87	3.14	3.14	3.74	-	13.39 ( 3.50 - 15.60 )	3.06 ( 0.77 - 4.87 )	13.45	99
20+35+35+35+35	1.68	2.93	2.93	2.93	2.93	-	13.40 ( 3.50 - 15.60 )	3.04 ( 0.77 - 4.89 )	13.33	99
20+35+35+35+42	1.60	2.81	2.81	2.81	3.37	-	13.40 ( 3.50 - 15.60 )	3.03 ( 0.77 - 4.88 )	13.29	99

# MXZ-6D122VA HEATING

Indoor units combination	Heating Capacity (kW)							Outdoor unit power consumption (kW)	Current (A)	Power factor (%)
	Unit A	Unit B	Unit C	Unit D	Unit E	Unit F	Total			
20+35+35+35+50	1.53	2.68	2.68	2.68	3.83	-	13.40 ( 3.50 - 15.60 )	3.02 ( 0.77 - 4.87 )	13.25	99
20+35+35+42+42	1.54	2.70	2.70	3.23	3.23	-	13.40 ( 3.50 - 15.60 )	3.02 ( 0.77 - 4.87 )	13.25	99
22+22+22+22+22	2.68	2.68	2.68	2.68	2.68	-	13.40 ( 3.50 - 15.60 )	3.05 ( 0.77 - 4.90 )	13.37	99
22+22+22+22+25	2.61	2.61	2.61	2.61	2.96	-	13.40 ( 3.50 - 15.60 )	3.05 ( 0.77 - 4.90 )	13.37	99
22+22+22+22+35	2.40	2.40	2.40	2.40	3.81	-	13.41 ( 3.50 - 15.60 )	3.05 ( 0.77 - 4.90 )	13.37	99
22+22+22+22+42	2.27	2.27	2.27	2.27	4.33	-	13.41 ( 3.50 - 15.60 )	3.04 ( 0.77 - 4.89 )	13.33	99
22+22+22+22+50	2.14	2.14	2.14	2.14	4.86	-	13.42 ( 3.50 - 15.60 )	3.02 ( 0.77 - 4.87 )	13.25	99
22+22+22+22+60	1.99	1.99	1.99	1.99	5.43	-	13.39 ( 3.50 - 15.60 )	3.02 ( 0.77 - 4.87 )	13.25	99
22+22+22+22+71	1.85	1.85	1.85	1.85	5.98	-	13.38 ( 3.50 - 15.60 )	3.06 ( 0.77 - 4.87 )	13.45	99
22+22+22+25+25	2.54	2.54	2.54	2.89	2.89	-	13.40 ( 3.50 - 15.60 )	3.05 ( 0.77 - 4.90 )	13.37	99
22+22+22+25+35	2.34	2.34	2.34	2.66	3.72	-	13.40 ( 3.50 - 15.60 )	3.04 ( 0.77 - 4.89 )	13.33	99
22+22+22+25+42	2.22	2.22	2.22	2.52	4.23	-	13.41 ( 3.50 - 15.60 )	3.03 ( 0.77 - 4.88 )	13.29	99
22+22+22+25+50	2.09	2.09	2.09	2.38	4.75	-	13.40 ( 3.50 - 15.60 )	3.02 ( 0.77 - 4.87 )	13.25	99
22+22+22+25+60	1.95	1.95	1.95	2.22	5.32	-	13.39 ( 3.50 - 15.60 )	3.02 ( 0.77 - 4.87 )	13.25	99
22+22+22+25+71	1.82	1.82	1.82	2.07	5.87	-	13.40 ( 3.50 - 15.60 )	3.06 ( 0.77 - 4.87 )	13.45	99
22+22+22+35+35	2.17	2.17	2.17	3.45	3.45	-	13.41 ( 3.50 - 15.60 )	3.04 ( 0.77 - 4.89 )	13.33	99
22+22+22+35+42	2.06	2.06	2.06	3.28	3.94	-	13.40 ( 3.50 - 15.60 )	3.03 ( 0.77 - 4.88 )	13.29	99
22+22+22+35+50	1.95	1.95	1.95	3.11	4.44	-	13.40 ( 3.50 - 15.60 )	3.02 ( 0.77 - 4.87 )	13.25	99
22+22+22+35+60	1.83	1.83	1.83	2.91	4.99	-	13.39 ( 3.50 - 15.60 )	3.06 ( 0.77 - 4.87 )	13.45	99
22+22+22+35+71	1.71	1.71	1.71	2.73	5.53	-	13.39 ( 3.50 - 15.60 )	3.06 ( 0.77 - 4.87 )	13.45	99
22+22+22+42+42	1.97	1.97	1.97	3.75	3.75	-	13.41 ( 3.50 - 15.60 )	3.02 ( 0.77 - 4.87 )	13.25	99
22+22+22+42+50	1.87	1.87	1.87	3.56	4.24	-	13.41 ( 3.50 - 15.60 )	3.06 ( 0.77 - 4.87 )	13.45	99
22+22+22+42+60	1.75	1.75	1.75	3.35	4.79	-	13.39 ( 3.50 - 15.60 )	3.06 ( 0.77 - 4.87 )	13.45	99
22+22+22+42+71	1.65	1.65	1.65	3.14	5.32	-	13.41 ( 3.50 - 15.60 )	3.06 ( 0.77 - 4.87 )	13.45	99
22+22+22+50+50	1.78	1.78	1.78	4.04	4.04	-	13.42 ( 3.50 - 15.60 )	3.06 ( 0.77 - 4.87 )	13.45	99
22+22+22+50+60	1.68	1.68	1.68	3.81	4.57	-	13.42 ( 3.50 - 15.60 )	3.06 ( 0.77 - 4.87 )	13.45	99
22+22+25+25+25	2.48	2.48	2.82	2.82	2.82	-	13.42 ( 3.50 - 15.60 )	3.04 ( 0.77 - 4.89 )	13.33	99
22+22+25+25+35	2.29	2.29	2.60	2.60	3.64	-	13.42 ( 3.50 - 15.60 )	3.04 ( 0.77 - 4.89 )	13.33	99
22+22+25+25+42	2.17	2.17	2.46	2.46	4.14	-	13.40 ( 3.50 - 15.60 )	3.03 ( 0.77 - 4.88 )	13.29	99
22+22+25+25+50	2.05	2.05	2.33	2.33	4.65	-	13.41 ( 3.50 - 15.60 )	3.02 ( 0.77 - 4.87 )	13.25	99
22+22+25+25+60	1.91	1.91	2.18	2.18	5.22	-	13.40 ( 3.50 - 15.60 )	3.06 ( 0.77 - 4.87 )	13.45	99
22+22+25+25+71	1.79	1.79	2.03	2.03	5.77	-	13.41 ( 3.50 - 15.60 )	3.06 ( 0.77 - 4.87 )	13.45	99
22+22+25+35+35	2.12	2.12	2.41	3.37	3.37	-	13.39 ( 3.50 - 15.60 )	3.04 ( 0.77 - 4.89 )	13.33	99
22+22+25+35+42	2.02	2.02	2.29	3.21	3.85	-	13.39 ( 3.50 - 15.60 )	3.03 ( 0.77 - 4.88 )	13.29	99
22+22+25+35+50	1.91	1.91	2.18	3.05	4.35	-	13.40 ( 3.50 - 15.60 )	3.02 ( 0.77 - 4.87 )	13.25	99
22+22+25+35+60	1.80	1.80	2.04	2.86	4.90	-	13.40 ( 3.50 - 15.60 )	3.06 ( 0.77 - 4.87 )	13.45	99

# MXZ-6D122VA HEATING

Indoor units combination	Heating Capacity (kW)						Outdoor unit power consumption (kW)	Current (A)	Power factor (%)	
	Unit A	Unit B	Unit C	Unit D	Unit E	Unit F				Total
22+22+25+35+71	1.68	1.68	1.91	2.68	5.44	-	13.39 ( 3.50 - 15.60 )	3.06 ( 0.77 - 4.87 )	13.45	99
22+22+25+42+42	1.93	1.93	2.19	3.68	3.68	-	13.41 ( 3.50 - 15.60 )	3.02 ( 0.77 - 4.87 )	13.25	99
22+22+25+42+50	1.83	1.83	2.08	3.50	4.16	-	13.40 ( 3.50 - 15.60 )	3.06 ( 0.77 - 4.87 )	13.45	99
22+22+25+42+60	1.72	1.72	1.96	3.29	4.70	-	13.39 ( 3.50 - 15.60 )	3.06 ( 0.77 - 4.87 )	13.45	99
22+22+25+50+50	1.74	1.74	1.98	3.96	3.96	-	13.38 ( 3.50 - 15.60 )	3.06 ( 0.77 - 4.87 )	13.45	99
22+22+25+50+60	1.65	1.65	1.87	3.74	4.49	-	13.40 ( 3.50 - 15.60 )	3.06 ( 0.77 - 4.87 )	13.45	99
22+22+35+35+35	1.98	1.98	3.15	3.15	3.15	-	13.41 ( 3.50 - 15.60 )	3.04 ( 0.77 - 4.89 )	13.33	99
22+22+35+35+42	1.89	1.89	3.01	3.01	3.61	-	13.41 ( 3.50 - 15.60 )	3.03 ( 0.77 - 4.88 )	13.29	99
22+22+35+35+50	1.80	1.80	2.86	2.86	4.09	-	13.41 ( 3.50 - 15.60 )	3.06 ( 0.77 - 4.87 )	13.45	99
22+22+35+35+60	1.69	1.69	2.70	2.70	4.62	-	13.40 ( 3.50 - 15.60 )	3.06 ( 0.77 - 4.87 )	13.45	99
22+22+35+42+42	1.81	1.81	2.88	3.45	3.45	-	13.40 ( 3.50 - 15.60 )	3.02 ( 0.77 - 4.87 )	13.25	99
22+22+35+42+50	1.72	1.72	2.74	3.29	3.92	-	13.39 ( 3.50 - 15.60 )	3.06 ( 0.77 - 4.87 )	13.45	99
22+22+35+50+50	1.65	1.65	2.62	3.74	3.74	-	13.40 ( 3.50 - 15.60 )	3.06 ( 0.77 - 4.87 )	13.45	99
22+22+42+42+42	1.73	1.73	3.31	3.31	3.31	-	13.39 ( 3.50 - 15.60 )	3.06 ( 0.77 - 4.87 )	13.45	99
22+22+42+42+50	1.66	1.66	3.16	3.16	3.76	-	13.40 ( 3.50 - 15.60 )	3.06 ( 0.77 - 4.87 )	13.45	99
22+25+25+25+25	2.42	2.75	2.75	2.75	2.75	-	13.42 ( 3.50 - 15.60 )	3.04 ( 0.77 - 4.89 )	13.33	99
22+25+25+25+35	2.23	2.54	2.54	2.54	3.55	-	13.40 ( 3.50 - 15.60 )	3.04 ( 0.77 - 4.89 )	13.33	99
22+25+25+25+42	2.12	2.41	2.41	2.41	4.05	-	13.40 ( 3.50 - 15.60 )	3.03 ( 0.77 - 4.88 )	13.29	99
22+25+25+25+50	2.01	2.28	2.28	2.28	4.56	-	13.41 ( 3.50 - 15.60 )	3.02 ( 0.77 - 4.87 )	13.25	99
22+25+25+25+60	1.88	2.13	2.13	2.13	5.12	-	13.39 ( 3.50 - 15.60 )	3.06 ( 0.77 - 4.87 )	13.45	99
22+25+25+25+71	1.75	1.99	1.99	1.99	5.66	-	13.38 ( 3.50 - 15.60 )	3.06 ( 0.77 - 4.87 )	13.45	99
22+25+25+35+35	2.08	2.36	2.36	3.30	3.30	-	13.40 ( 3.50 - 15.60 )	3.04 ( 0.77 - 4.89 )	13.33	99
22+25+25+35+42	1.98	2.25	2.25	3.15	3.78	-	13.41 ( 3.50 - 15.60 )	3.03 ( 0.77 - 4.88 )	13.29	99
22+25+25+35+50	1.88	2.13	2.13	2.99	4.27	-	13.40 ( 3.50 - 15.60 )	3.06 ( 0.77 - 4.87 )	13.45	99
22+25+25+35+60	1.77	2.01	2.01	2.81	4.81	-	13.41 ( 3.50 - 15.60 )	3.06 ( 0.77 - 4.87 )	13.45	99
22+25+25+35+71	1.66	1.88	1.88	2.63	5.34	-	13.39 ( 3.50 - 15.60 )	3.06 ( 0.77 - 4.87 )	13.45	99
22+25+25+42+42	1.89	2.15	2.15	3.61	3.61	-	13.41 ( 3.50 - 15.60 )	3.02 ( 0.77 - 4.87 )	13.25	99
22+25+25+42+50	1.80	2.04	2.04	3.43	4.09	-	13.40 ( 3.50 - 15.60 )	3.06 ( 0.77 - 4.87 )	13.45	99
22+25+25+42+60	1.69	1.93	1.93	3.23	4.62	-	13.40 ( 3.50 - 15.60 )	3.06 ( 0.77 - 4.87 )	13.45	99
22+25+25+50+50	1.71	1.95	1.95	3.90	3.90	-	13.41 ( 3.50 - 15.60 )	3.06 ( 0.77 - 4.87 )	13.45	99
22+25+35+35+35	1.94	2.20	3.09	3.09	3.09	-	13.41 ( 3.50 - 15.60 )	3.03 ( 0.77 - 4.88 )	13.29	99
22+25+35+35+42	1.85	2.11	2.95	2.95	3.54	-	13.40 ( 3.50 - 15.60 )	3.02 ( 0.77 - 4.88 )	13.27	99
22+25+35+35+50	1.77	2.01	2.81	2.81	4.01	-	13.41 ( 3.50 - 15.60 )	3.06 ( 0.77 - 4.87 )	13.45	99
22+25+35+35+60	1.67	1.89	2.65	2.65	4.54	-	13.40 ( 3.50 - 15.60 )	3.06 ( 0.77 - 4.87 )	13.45	99
22+25+35+42+42	1.78	2.02	2.83	3.39	3.39	-	13.41 ( 3.50 - 15.60 )	3.06 ( 0.77 - 4.87 )	13.45	99
22+25+35+42+50	1.69	1.93	2.70	3.23	3.85	-	13.40 ( 3.50 - 15.60 )	3.06 ( 0.77 - 4.87 )	13.45	99

# MXZ-6D122VA HEATING

Indoor units combination	Heating Capacity (kW)						Outdoor unit power consumption (kW)	Current (A)	Power factor (%)	
	Unit A	Unit B	Unit C	Unit D	Unit E	Unit F				Total
22+25+42+42+42	1.70	1.94	3.25	3.25	3.25	-	13.39 ( 3.50 - 15.60 )	3.06 ( 0.77 - 4.87 )	13.45	99
22+35+35+35+35	1.82	2.90	2.90	2.90	2.90	-	13.42 ( 3.50 - 15.60 )	3.03 ( 0.77 - 4.88 )	13.29	99
22+35+35+35+42	1.74	2.78	2.78	2.78	3.33	-	13.41 ( 3.50 - 15.60 )	3.02 ( 0.77 - 4.87 )	13.25	99
22+35+35+35+50	1.67	2.65	2.65	2.65	3.79	-	13.41 ( 3.50 - 15.60 )	3.06 ( 0.77 - 4.87 )	13.45	99
22+35+35+42+42	1.68	2.66	2.66	3.20	3.20	-	13.40 ( 3.50 - 15.60 )	3.06 ( 0.77 - 4.87 )	13.45	99
25+25+25+25+25	2.68	2.68	2.68	2.68	2.68	-	13.40 ( 3.50 - 15.60 )	3.04 ( 0.77 - 4.89 )	13.33	99
25+25+25+25+35	2.48	2.48	2.48	2.48	3.47	-	13.39 ( 3.50 - 15.60 )	3.04 ( 0.77 - 4.89 )	13.33	99
25+25+25+25+42	2.36	2.36	2.36	2.36	3.96	-	13.40 ( 3.50 - 15.60 )	3.03 ( 0.77 - 4.88 )	13.29	99
25+25+25+25+50	2.23	2.23	2.23	2.23	4.47	-	13.39 ( 3.50 - 15.60 )	3.06 ( 0.77 - 4.87 )	13.45	99
25+25+25+25+60	2.09	2.09	2.09	2.09	5.03	-	13.39 ( 3.50 - 15.60 )	3.06 ( 0.77 - 4.87 )	13.45	99
25+25+25+25+71	1.96	1.96	1.96	1.96	5.56	-	13.40 ( 3.50 - 15.60 )	3.06 ( 0.77 - 4.87 )	13.45	99
25+25+25+35+35	2.31	2.31	2.31	3.23	3.23	-	13.39 ( 3.50 - 15.60 )	3.03 ( 0.77 - 4.88 )	13.29	99
25+25+25+35+42	2.20	2.20	2.20	3.09	3.70	-	13.39 ( 3.50 - 15.60 )	3.03 ( 0.77 - 4.88 )	13.29	99
25+25+25+35+50	2.09	2.09	2.09	2.93	4.19	-	13.39 ( 3.50 - 15.60 )	3.06 ( 0.77 - 4.87 )	13.45	99
25+25+25+35+60	1.97	1.97	1.97	2.76	4.73	-	13.40 ( 3.50 - 15.60 )	3.06 ( 0.77 - 4.87 )	13.45	99
25+25+25+42+42	2.11	2.11	2.11	3.54	3.54	-	13.41 ( 3.50 - 15.60 )	3.06 ( 0.77 - 4.87 )	13.45	99
25+25+25+42+50	2.01	2.01	2.01	3.37	4.01	-	13.41 ( 3.50 - 15.60 )	3.06 ( 0.77 - 4.87 )	13.45	99
25+25+25+42+60	1.89	1.89	1.89	3.18	4.54	-	13.39 ( 3.50 - 15.60 )	3.06 ( 0.77 - 4.87 )	13.45	99
25+25+25+50+50	1.91	1.91	1.91	3.83	3.83	-	13.39 ( 3.50 - 15.60 )	3.06 ( 0.77 - 4.87 )	13.45	99
25+25+35+35+35	2.16	2.16	3.03	3.03	3.03	-	13.41 ( 3.50 - 15.60 )	3.03 ( 0.77 - 4.88 )	13.29	99
25+25+35+35+42	2.07	2.07	2.90	2.90	3.47	-	13.41 ( 3.50 - 15.60 )	3.02 ( 0.77 - 4.87 )	13.25	99
25+25+35+35+50	1.97	1.97	2.76	2.76	3.94	-	13.40 ( 3.50 - 15.60 )	3.06 ( 0.77 - 4.87 )	13.45	99
25+25+35+35+60	1.86	1.86	2.61	2.61	4.47	-	13.41 ( 3.50 - 15.60 )	3.06 ( 0.77 - 4.87 )	13.45	99
25+25+35+42+42	1.98	1.98	2.78	3.33	3.33	-	13.40 ( 3.50 - 15.60 )	3.06 ( 0.77 - 4.87 )	13.45	99
25+25+35+42+50	1.89	1.89	2.65	3.18	3.79	-	13.40 ( 3.50 - 15.60 )	3.06 ( 0.77 - 4.87 )	13.45	99
25+25+42+42+42	1.90	1.90	3.20	3.20	3.20	-	13.40 ( 3.50 - 15.60 )	3.06 ( 0.77 - 4.87 )	13.45	99
25+35+35+35+35	2.03	2.84	2.84	2.84	2.84	-	13.39 ( 3.50 - 15.60 )	3.03 ( 0.77 - 4.88 )	13.29	99
25+35+35+35+42	1.95	2.73	2.73	2.73	3.27	-	13.41 ( 3.50 - 15.60 )	3.02 ( 0.77 - 4.87 )	13.25	99
25+35+35+35+50	1.86	2.61	2.61	2.61	3.72	-	13.41 ( 3.50 - 15.60 )	3.06 ( 0.77 - 4.87 )	13.45	99
25+35+35+42+42	1.87	2.62	2.62	3.14	3.14	-	13.39 ( 3.50 - 15.60 )	3.06 ( 0.77 - 4.87 )	13.45	99
35+35+35+35+35	2.68	2.68	2.68	2.68	2.68	-	13.40 ( 3.50 - 15.60 )	3.03 ( 0.77 - 4.88 )	13.29	99
15+15+15+15+15+15	1.70	1.70	1.70	1.70	1.70	1.70	10.20 ( 3.40 - 15.90 )	2.16 ( 0.79 - 6.02 )	9.50	99
15+15+15+15+15+18	1.81	1.81	1.81	1.81	1.81	2.17	11.22 ( 3.40 - 16.00 )	2.61 ( 0.79 - 6.02 )	11.47	99
15+15+15+15+15+20	1.69	1.69	1.69	1.69	1.69	2.25	10.70 ( 3.40 - 16.00 )	2.39 ( 0.79 - 6.02 )	10.48	99
15+15+15+15+15+22	1.73	1.73	1.73	1.73	1.73	2.54	11.19 ( 3.40 - 16.00 )	2.61 ( 0.79 - 6.02 )	11.47	99
15+15+15+15+15+25	1.71	1.71	1.71	1.71	1.71	2.85	11.40 ( 3.40 - 16.00 )	2.70 ( 0.79 - 6.02 )	11.87	99

# MXZ-6D122VA HEATING

Indoor units combination	Heating Capacity (kW)							Outdoor unit power consumption (kW)	Current (A)	Power factor (%)
	Unit A	Unit B	Unit C	Unit D	Unit E	Unit F	Total			
15+15+15+15+15+35	1.62	1.62	1.62	1.62	1.62	3.79	11.89 ( 3.40 - 16.00 )	2.93 ( 0.79 - 6.02 )	12.86	99
15+15+15+15+15+42	1.71	1.71	1.71	1.71	1.71	4.77	13.32 ( 3.50 - 16.10 )	3.49 ( 0.79 - 5.91 )	15.33	99
15+15+15+15+15+50	1.68	1.68	1.68	1.68	1.68	5.60	14.00 ( 3.50 - 16.50 )	3.33 ( 0.76 - 5.20 )	14.63	99
15+15+15+15+15+60	1.56	1.56	1.56	1.56	1.56	6.22	14.02 ( 3.50 - 16.50 )	3.33 ( 0.76 - 5.20 )	14.61	99
15+15+15+15+15+71	1.44	1.44	1.44	1.44	1.44	6.81	14.01 ( 3.50 - 16.50 )	3.32 ( 0.76 - 5.19 )	14.58	99
15+15+15+15+18+18	2.00	2.00	2.00	2.00	2.40	2.40	12.80 ( 3.40 - 16.00 )	3.33 ( 0.79 - 6.02 )	14.64	99
15+15+15+15+18+20	1.79	1.79	1.79	1.79	2.15	2.39	11.70 ( 3.40 - 16.00 )	2.84 ( 0.79 - 6.02 )	12.46	99
15+15+15+15+18+22	1.92	1.92	1.92	1.92	2.30	2.82	12.80 ( 3.40 - 16.00 )	3.33 ( 0.79 - 6.02 )	14.64	99
15+15+15+15+18+25	1.91	1.91	1.91	1.91	2.29	3.18	13.11 ( 3.40 - 16.00 )	3.47 ( 0.79 - 6.02 )	15.23	99
15+15+15+15+18+35	1.78	1.78	1.78	1.78	2.13	4.15	13.40 ( 3.50 - 16.20 )	3.47 ( 0.79 - 5.81 )	15.23	99
15+15+15+15+18+42	1.75	1.75	1.75	1.75	2.10	4.90	14.00 ( 3.50 - 16.50 )	3.33 ( 0.76 - 5.20 )	14.64	99
15+15+15+15+18+50	1.64	1.64	1.64	1.64	1.97	5.47	14.00 ( 3.50 - 16.50 )	3.32 ( 0.76 - 5.19 )	14.58	99
15+15+15+15+18+60	1.52	1.52	1.52	1.52	1.83	6.09	14.00 ( 3.50 - 16.50 )	3.31 ( 0.76 - 5.18 )	14.55	99
15+15+15+15+18+71	1.41	1.41	1.41	1.41	1.69	6.67	14.00 ( 3.50 - 16.50 )	3.31 ( 0.76 - 5.18 )	14.53	99
15+15+15+15+20+20	1.64	1.64	1.64	1.64	2.18	2.18	10.92 ( 3.40 - 16.00 )	2.48 ( 0.79 - 6.02 )	10.88	99
15+15+15+15+20+22	1.72	1.72	1.72	1.72	2.29	2.52	11.69 ( 3.40 - 16.00 )	2.84 ( 0.79 - 6.02 )	12.46	99
15+15+15+15+20+25	1.73	1.73	1.73	1.73	2.30	2.88	12.10 ( 3.40 - 16.00 )	3.02 ( 0.79 - 6.02 )	13.25	99
15+15+15+15+20+35	1.62	1.62	1.62	1.62	2.16	3.77	12.41 ( 3.40 - 16.00 )	3.15 ( 0.79 - 6.02 )	13.85	99
15+15+15+15+20+42	1.67	1.67	1.67	1.67	2.23	4.68	13.59 ( 3.50 - 16.30 )	3.42 ( 0.78 - 5.61 )	15.03	99
15+15+15+15+20+50	1.62	1.62	1.62	1.62	2.15	5.38	14.01 ( 3.50 - 16.50 )	3.33 ( 0.76 - 5.20 )	14.62	99
15+15+15+15+20+60	1.50	1.50	1.50	1.50	2.00	6.00	14.00 ( 3.50 - 16.50 )	3.32 ( 0.76 - 5.20 )	14.60	99
15+15+15+15+20+71	1.39	1.39	1.39	1.39	1.85	6.58	13.99 ( 3.50 - 16.50 )	3.32 ( 0.76 - 5.19 )	14.57	99
15+15+15+15+22+22	1.85	1.85	1.85	1.85	2.71	2.71	12.82 ( 3.40 - 16.00 )	3.33 ( 0.79 - 6.02 )	14.64	99
15+15+15+15+22+25	1.84	1.84	1.84	1.84	2.69	3.06	13.11 ( 3.40 - 16.00 )	3.47 ( 0.79 - 6.02 )	15.23	99
15+15+15+15+22+35	1.72	1.72	1.72	1.72	2.52	4.01	13.41 ( 3.50 - 16.20 )	3.47 ( 0.79 - 5.81 )	15.23	99
15+15+15+15+22+42	1.69	1.69	1.69	1.69	2.48	4.74	13.98 ( 3.50 - 16.50 )	3.33 ( 0.76 - 5.20 )	14.64	99
15+15+15+15+22+50	1.59	1.59	1.59	1.59	2.33	5.30	13.99 ( 3.50 - 16.50 )	3.32 ( 0.76 - 5.19 )	14.58	99
15+15+15+15+22+60	1.48	1.48	1.48	1.48	2.17	5.92	14.01 ( 3.50 - 16.50 )	3.31 ( 0.76 - 5.18 )	14.55	99
15+15+15+15+22+71	1.37	1.37	1.37	1.37	2.01	6.50	13.99 ( 3.50 - 16.50 )	3.31 ( 0.76 - 5.18 )	14.53	99
15+15+15+15+25+25	1.81	1.81	1.81	1.81	3.02	3.02	13.28 ( 3.50 - 16.10 )	3.49 ( 0.79 - 5.91 )	15.33	99
15+15+15+15+25+35	1.70	1.70	1.70	1.70	2.83	3.97	13.60 ( 3.50 - 16.30 )	3.42 ( 0.78 - 5.61 )	15.03	99
15+15+15+15+25+42	1.65	1.65	1.65	1.65	2.76	4.63	13.99 ( 3.50 - 16.50 )	3.33 ( 0.76 - 5.20 )	14.63	99
15+15+15+15+25+50	1.56	1.56	1.56	1.56	2.59	5.19	14.02 ( 3.50 - 16.50 )	3.32 ( 0.76 - 5.19 )	14.57	99
15+15+15+15+25+60	1.45	1.45	1.45	1.45	2.41	5.79	14.00 ( 3.50 - 16.50 )	3.31 ( 0.76 - 5.18 )	14.54	99
15+15+15+15+25+71	1.35	1.35	1.35	1.35	2.24	6.37	14.01 ( 3.50 - 16.50 )	3.31 ( 0.76 - 5.18 )	14.52	99
15+15+15+15+35+35	1.59	1.59	1.59	1.59	3.72	3.72	13.80 ( 3.50 - 16.40 )	3.38 ( 0.77 - 5.41 )	14.84	99

# MXZ-6D122VA HEATING

Indoor units combination	Heating Capacity (kW)							Outdoor unit power consumption (kW)	Current (A)	Power factor (%)
	Unit A	Unit B	Unit C	Unit D	Unit E	Unit F	Total			
15+15+15+15+35+42	1.53	1.53	1.53	1.53	3.58	4.29	13.99 ( 3.50 - 16.50 )	3.33 ( 0.76 - 5.20 )	14.62	99
15+15+15+15+35+50	1.45	1.45	1.45	1.45	3.38	4.83	14.01 ( 3.50 - 16.50 )	3.31 ( 0.76 - 5.18 )	14.55	99
15+15+15+15+35+60	1.35	1.35	1.35	1.35	3.16	5.42	13.98 ( 3.50 - 16.50 )	3.31 ( 0.76 - 5.18 )	14.53	99
15+15+15+15+35+71	1.27	1.27	1.27	1.27	2.95	5.99	14.02 ( 3.50 - 16.50 )	3.30 ( 0.76 - 5.17 )	14.50	99
15+15+15+15+42+42	1.46	1.46	1.46	1.46	4.08	4.08	14.00 ( 3.50 - 16.50 )	3.32 ( 0.76 - 5.19 )	14.57	99
15+15+15+15+42+50	1.38	1.38	1.38	1.38	3.87	4.61	14.00 ( 3.50 - 16.50 )	3.30 ( 0.76 - 5.17 )	14.50	99
15+15+15+15+42+60	1.30	1.30	1.30	1.30	3.63	5.19	14.02 ( 3.50 - 16.50 )	3.30 ( 0.76 - 5.17 )	14.48	99
15+15+15+15+42+71	1.21	1.21	1.21	1.21	3.40	5.75	13.99 ( 3.50 - 16.50 )	3.29 ( 0.76 - 5.16 )	14.47	99
15+15+15+15+50+50	1.31	1.31	1.31	1.31	4.38	4.38	14.00 ( 3.50 - 16.50 )	3.29 ( 0.76 - 5.16 )	14.45	99
15+15+15+15+50+60	1.24	1.24	1.24	1.24	4.12	4.94	14.02 ( 3.50 - 16.50 )	3.28 ( 0.76 - 5.15 )	14.43	99
15+15+15+15+60+60	1.17	1.17	1.17	1.17	4.67	4.67	14.02 ( 3.50 - 16.50 )	3.28 ( 0.76 - 5.15 )	14.40	99
15+15+15+18+18+18	2.11	2.11	2.11	2.53	2.53	2.53	13.92 ( 3.50 - 16.50 )	3.36 ( 0.77 - 5.31 )	14.74	99
15+15+15+18+18+20	1.96	1.96	1.96	2.35	2.35	2.61	13.19 ( 3.40 - 16.00 )	3.51 ( 0.79 - 6.01 )	15.43	99
15+15+15+18+18+22	2.02	2.02	2.02	2.43	2.43	2.97	13.89 ( 3.50 - 16.50 )	3.36 ( 0.77 - 5.31 )	14.74	99
15+15+15+18+18+25	1.98	1.98	1.98	2.37	2.37	3.30	13.98 ( 3.50 - 16.50 )	3.34 ( 0.77 - 5.23 )	14.66	99
15+15+15+18+18+35	1.81	1.81	1.81	2.17	2.17	4.22	13.99 ( 3.50 - 16.50 )	3.33 ( 0.76 - 5.20 )	14.63	99
15+15+15+18+18+42	1.71	1.71	1.71	2.05	2.05	4.78	14.01 ( 3.50 - 16.50 )	3.32 ( 0.76 - 5.19 )	14.58	99
15+15+15+18+18+50	1.60	1.60	1.60	1.92	1.92	5.34	13.98 ( 3.50 - 16.50 )	3.31 ( 0.76 - 5.18 )	14.52	99
15+15+15+18+18+60	1.49	1.49	1.49	1.79	1.79	5.96	14.01 ( 3.50 - 16.50 )	3.30 ( 0.76 - 5.17 )	14.50	99
15+15+15+18+18+71	1.38	1.38	1.38	1.66	1.66	6.54	14.00 ( 3.50 - 16.50 )	3.30 ( 0.76 - 5.17 )	14.48	99
15+15+15+18+20+20	1.78	1.78	1.78	2.13	2.37	2.37	12.21 ( 3.40 - 16.00 )	3.06 ( 0.79 - 6.02 )	13.45	99
15+15+15+18+20+22	1.89	1.89	1.89	2.26	2.51	2.77	13.21 ( 3.40 - 16.00 )	3.51 ( 0.79 - 6.01 )	15.43	99
15+15+15+18+20+25	1.86	1.86	1.86	2.23	2.48	3.10	13.39 ( 3.50 - 16.20 )	3.47 ( 0.79 - 5.81 )	15.23	99
15+15+15+18+20+35	1.74	1.74	1.74	2.09	2.32	4.06	13.69 ( 3.50 - 16.40 )	3.40 ( 0.78 - 5.51 )	14.94	99
15+15+15+18+20+42	1.68	1.68	1.68	2.02	2.24	4.70	14.00 ( 3.50 - 16.50 )	3.33 ( 0.76 - 5.20 )	14.63	99
15+15+15+18+20+50	1.58	1.58	1.58	1.89	2.11	5.26	14.00 ( 3.50 - 16.50 )	3.32 ( 0.76 - 5.19 )	14.56	99
15+15+15+18+20+60	1.47	1.47	1.47	1.76	1.96	5.87	14.00 ( 3.50 - 16.50 )	3.31 ( 0.76 - 5.18 )	14.54	99
15+15+15+18+20+71	1.36	1.36	1.36	1.64	1.82	6.45	13.99 ( 3.50 - 16.50 )	3.31 ( 0.76 - 5.18 )	14.52	99
15+15+15+18+22+22	1.95	1.95	1.95	2.34	2.86	2.86	13.91 ( 3.50 - 16.50 )	3.36 ( 0.77 - 5.31 )	14.74	99
15+15+15+18+22+25	1.91	1.91	1.91	2.29	2.80	3.18	14.00 ( 3.50 - 16.50 )	3.34 ( 0.77 - 5.23 )	14.66	99
15+15+15+18+22+35	1.75	1.75	1.75	2.10	2.57	4.08	14.00 ( 3.50 - 16.50 )	3.33 ( 0.76 - 5.20 )	14.63	99
15+15+15+18+22+42	1.65	1.65	1.65	1.98	2.43	4.63	13.99 ( 3.50 - 16.50 )	3.32 ( 0.76 - 5.19 )	14.58	99
15+15+15+18+22+50	1.56	1.56	1.56	1.87	2.28	5.19	14.02 ( 3.50 - 16.50 )	3.31 ( 0.76 - 5.18 )	14.52	99
15+15+15+18+22+60	1.45	1.45	1.45	1.74	2.12	5.79	14.00 ( 3.50 - 16.50 )	3.30 ( 0.76 - 5.17 )	14.50	99
15+15+15+18+22+71	1.35	1.35	1.35	1.62	1.97	6.37	14.01 ( 3.50 - 16.50 )	3.30 ( 0.76 - 5.17 )	14.48	99
15+15+15+18+25+25	1.86	1.86	1.86	2.23	3.10	3.10	14.01 ( 3.50 - 16.50 )	3.33 ( 0.76 - 5.20 )	14.63	99



# MXZ-6D122VA HEATING

Indoor units combination	Heating Capacity (kW)							Outdoor unit power consumption (kW)	Current (A)	Power factor (%)
	Unit A	Unit B	Unit C	Unit D	Unit E	Unit F	Total			
15+15+15+18+25+35	1.71	1.71	1.71	2.05	2.85	3.98	14.01 ( 3.50 - 16.50 )	3.33 ( 0.76 - 5.20 )	14.63	99
15+15+15+18+25+42	1.62	1.62	1.62	1.94	2.69	4.52	14.01 ( 3.50 - 16.50 )	3.32 ( 0.76 - 5.19 )	14.57	99
15+15+15+18+25+50	1.52	1.52	1.52	1.83	2.54	5.07	14.00 ( 3.50 - 16.50 )	3.31 ( 0.76 - 5.18 )	14.52	99
15+15+15+18+25+60	1.42	1.42	1.42	1.70	2.36	5.68	14.00 ( 3.50 - 16.50 )	3.30 ( 0.76 - 5.17 )	14.49	99
15+15+15+18+25+71	1.32	1.32	1.32	1.58	2.20	6.25	13.99 ( 3.50 - 16.50 )	3.29 ( 0.76 - 5.16 )	14.47	99
15+15+15+18+35+35	1.58	1.58	1.58	1.89	3.68	3.68	13.99 ( 3.50 - 16.50 )	3.33 ( 0.76 - 5.20 )	14.61	99
15+15+15+18+35+42	1.50	1.50	1.50	1.80	3.50	4.20	14.00 ( 3.50 - 16.50 )	3.32 ( 0.76 - 5.19 )	14.56	99
15+15+15+18+35+50	1.42	1.42	1.42	1.70	3.31	4.73	14.00 ( 3.50 - 16.50 )	3.30 ( 0.76 - 5.17 )	14.50	99
15+15+15+18+35+60	1.33	1.33	1.33	1.59	3.10	5.32	14.00 ( 3.50 - 16.50 )	3.30 ( 0.76 - 5.17 )	14.48	99
15+15+15+18+35+71	1.24	1.24	1.24	1.49	2.90	5.88	13.99 ( 3.50 - 16.50 )	3.29 ( 0.76 - 5.16 )	14.45	99
15+15+15+18+42+42	1.43	1.43	1.43	1.71	4.00	4.00	14.00 ( 3.50 - 16.50 )	3.31 ( 0.76 - 5.18 )	14.52	99
15+15+15+18+42+50	1.35	1.35	1.35	1.63	3.79	4.52	13.99 ( 3.50 - 16.50 )	3.29 ( 0.76 - 5.16 )	14.45	99
15+15+15+18+42+60	1.27	1.27	1.27	1.53	3.56	5.09	13.99 ( 3.50 - 16.50 )	3.29 ( 0.76 - 5.15 )	14.43	99
15+15+15+18+42+71	1.19	1.19	1.19	1.43	3.34	5.65	13.99 ( 3.50 - 16.50 )	3.28 ( 0.76 - 5.15 )	14.41	99
15+15+15+18+50+50	1.29	1.29	1.29	1.55	4.29	4.29	14.00 ( 3.50 - 16.50 )	3.28 ( 0.76 - 5.15 )	14.40	99
15+15+15+18+50+60	1.21	1.21	1.21	1.46	4.05	4.86	14.00 ( 3.50 - 16.50 )	3.27 ( 0.76 - 5.15 )	14.37	99
15+15+15+20+20+20	1.60	1.60	1.60	2.13	2.13	2.13	11.19 ( 3.40 - 16.00 )	2.61 ( 0.79 - 6.02 )	11.47	99
15+15+15+20+20+22	1.71	1.71	1.71	2.28	2.28	2.51	12.20 ( 3.40 - 16.00 )	3.06 ( 0.79 - 6.02 )	13.45	99
15+15+15+20+20+25	1.72	1.72	1.72	2.29	2.29	2.86	12.60 ( 3.40 - 16.00 )	3.24 ( 0.79 - 6.02 )	14.24	99
15+15+15+20+20+35	1.61	1.61	1.61	2.15	2.15	3.76	12.89 ( 3.40 - 16.00 )	3.38 ( 0.79 - 6.02 )	14.84	99
15+15+15+20+20+42	1.64	1.64	1.64	2.19	2.19	4.60	13.90 ( 3.50 - 16.50 )	3.36 ( 0.77 - 5.31 )	14.74	99
15+15+15+20+20+50	1.56	1.56	1.56	2.07	2.07	5.19	14.01 ( 3.50 - 16.50 )	3.32 ( 0.76 - 5.20 )	14.60	99
15+15+15+20+20+60	1.45	1.45	1.45	1.93	1.93	5.79	14.00 ( 3.50 - 16.50 )	3.32 ( 0.76 - 5.19 )	14.57	99
15+15+15+20+20+71	1.35	1.35	1.35	1.79	1.79	6.37	14.00 ( 3.50 - 16.50 )	3.31 ( 0.76 - 5.18 )	14.55	99
15+15+15+20+22+22	1.82	1.82	1.82	2.42	2.66	2.66	13.20 ( 3.40 - 16.00 )	3.51 ( 0.79 - 6.01 )	15.43	99
15+15+15+20+22+25	1.79	1.79	1.79	2.39	2.63	2.99	13.38 ( 3.50 - 16.20 )	3.47 ( 0.79 - 5.81 )	15.23	99
15+15+15+20+22+35	1.68	1.68	1.68	2.25	2.47	3.93	13.69 ( 3.50 - 16.40 )	3.40 ( 0.78 - 5.51 )	14.94	99
15+15+15+20+22+42	1.63	1.63	1.63	2.17	2.39	4.56	14.01 ( 3.50 - 16.50 )	3.33 ( 0.76 - 5.20 )	14.63	99
15+15+15+20+22+50	1.53	1.53	1.53	2.04	2.25	5.11	13.99 ( 3.50 - 16.50 )	3.32 ( 0.76 - 5.19 )	14.56	99
15+15+15+20+22+60	1.43	1.43	1.43	1.90	2.10	5.71	14.00 ( 3.50 - 16.50 )	3.31 ( 0.76 - 5.18 )	14.54	99
15+15+15+20+22+71	1.33	1.33	1.33	1.77	1.95	6.29	14.00 ( 3.50 - 16.50 )	3.31 ( 0.76 - 5.18 )	14.52	99
15+15+15+20+25+25	1.79	1.79	1.79	2.38	2.98	2.98	13.71 ( 3.50 - 16.40 )	3.40 ( 0.78 - 5.51 )	14.94	99
15+15+15+20+25+35	1.67	1.67	1.67	2.22	2.78	3.89	13.90 ( 3.50 - 16.50 )	3.36 ( 0.77 - 5.31 )	14.74	99
15+15+15+20+25+42	1.59	1.59	1.59	2.12	2.65	4.45	13.99 ( 3.50 - 16.50 )	3.33 ( 0.76 - 5.20 )	14.61	99
15+15+15+20+25+50	1.50	1.50	1.50	2.00	2.50	5.00	14.00 ( 3.50 - 16.50 )	3.31 ( 0.76 - 5.18 )	14.55	99
15+15+15+20+25+60	1.40	1.40	1.40	1.87	2.33	5.60	14.00 ( 3.50 - 16.50 )	3.31 ( 0.76 - 5.18 )	14.52	99

# MXZ-6D122VA HEATING

Indoor units combination	Heating Capacity (kW)							Outdoor unit power consumption (kW)	Current (A)	Power factor (%)
	Unit A	Unit B	Unit C	Unit D	Unit E	Unit F	Total			
15+15+15+20+25+71	1.30	1.30	1.30	1.74	2.17	6.17	13.98 ( 3.50 - 16.50 )	3.30 ( 0.76 - 5.17 )	14.50	99
15+15+15+20+35+35	1.55	1.55	1.55	2.07	3.62	3.62	13.96 ( 3.50 - 16.50 )	3.34 ( 0.77 - 5.23 )	14.66	99
15+15+15+20+35+42	1.48	1.48	1.48	1.97	3.45	4.14	14.00 ( 3.50 - 16.50 )	3.32 ( 0.76 - 5.20 )	14.60	99
15+15+15+20+35+50	1.40	1.40	1.40	1.87	3.27	4.67	14.01 ( 3.50 - 16.50 )	3.31 ( 0.76 - 5.18 )	14.54	99
15+15+15+20+35+60	1.31	1.31	1.31	1.75	3.06	5.25	13.99 ( 3.50 - 16.50 )	3.31 ( 0.76 - 5.18 )	14.52	99
15+15+15+20+35+71	1.23	1.23	1.23	1.64	2.87	5.81	14.01 ( 3.50 - 16.50 )	3.30 ( 0.76 - 5.17 )	14.49	99
15+15+15+20+42+42	1.41	1.41	1.41	1.88	3.95	3.95	14.01 ( 3.50 - 16.50 )	3.31 ( 0.76 - 5.18 )	14.55	99
15+15+15+20+42+50	1.34	1.34	1.34	1.78	3.75	4.46	14.01 ( 3.50 - 16.50 )	3.30 ( 0.76 - 5.17 )	14.49	99
15+15+15+20+42+60	1.26	1.26	1.26	1.68	3.52	5.03	14.01 ( 3.50 - 16.50 )	3.29 ( 0.76 - 5.16 )	14.47	99
15+15+15+20+42+71	1.18	1.18	1.18	1.57	3.30	5.58	13.99 ( 3.50 - 16.50 )	3.29 ( 0.76 - 5.16 )	14.45	99
15+15+15+20+50+50	1.27	1.27	1.27	1.70	4.24	4.24	13.99 ( 3.50 - 16.50 )	3.29 ( 0.76 - 5.15 )	14.43	99
15+15+15+20+50+60	1.20	1.20	1.20	1.60	4.00	4.80	14.00 ( 3.50 - 16.50 )	3.28 ( 0.76 - 5.15 )	14.41	99
15+15+15+22+22+22	1.88	1.88	1.88	2.75	2.75	2.75	13.89 ( 3.50 - 16.50 )	3.36 ( 0.77 - 5.31 )	14.74	99
15+15+15+22+22+25	1.84	1.84	1.84	2.70	2.70	3.06	13.98 ( 3.50 - 16.50 )	3.34 ( 0.77 - 5.23 )	14.66	99
15+15+15+22+22+35	1.69	1.69	1.69	2.48	2.48	3.95	13.98 ( 3.50 - 16.50 )	3.33 ( 0.76 - 5.20 )	14.63	99
15+15+15+22+22+42	1.60	1.60	1.60	2.35	2.35	4.49	13.99 ( 3.50 - 16.50 )	3.32 ( 0.76 - 5.19 )	14.58	99
15+15+15+22+22+50	1.51	1.51	1.51	2.22	2.22	5.04	14.01 ( 3.50 - 16.50 )	3.31 ( 0.76 - 5.18 )	14.52	99
15+15+15+22+22+60	1.41	1.41	1.41	2.07	2.07	5.64	14.01 ( 3.50 - 16.50 )	3.30 ( 0.76 - 5.17 )	14.50	99
15+15+15+22+22+71	1.31	1.31	1.31	1.93	1.93	6.21	14.00 ( 3.50 - 16.50 )	3.30 ( 0.76 - 5.17 )	14.48	99
15+15+15+22+25+25	1.79	1.79	1.79	2.63	2.99	2.99	13.98 ( 3.50 - 16.50 )	3.33 ( 0.76 - 5.20 )	14.63	99
15+15+15+22+25+35	1.65	1.65	1.65	2.43	2.76	3.86	14.00 ( 3.50 - 16.50 )	3.33 ( 0.76 - 5.20 )	14.63	99
15+15+15+22+25+42	1.57	1.57	1.57	2.30	2.61	4.39	14.01 ( 3.50 - 16.50 )	3.32 ( 0.76 - 5.19 )	14.57	99
15+15+15+22+25+50	1.48	1.48	1.48	2.17	2.46	4.93	14.00 ( 3.50 - 16.50 )	3.31 ( 0.76 - 5.18 )	14.52	99
15+15+15+22+25+60	1.38	1.38	1.38	2.03	2.30	5.53	14.00 ( 3.50 - 16.50 )	3.30 ( 0.76 - 5.17 )	14.49	99
15+15+15+22+25+71	1.29	1.29	1.29	1.89	2.15	6.10	14.01 ( 3.50 - 16.50 )	3.29 ( 0.76 - 5.16 )	14.47	99
15+15+15+22+35+35	1.53	1.53	1.53	2.25	3.58	3.58	14.00 ( 3.50 - 16.50 )	3.33 ( 0.76 - 5.20 )	14.61	99
15+15+15+22+35+42	1.46	1.46	1.46	2.14	3.40	4.08	14.00 ( 3.50 - 16.50 )	3.32 ( 0.76 - 5.19 )	14.56	99
15+15+15+22+35+50	1.38	1.38	1.38	2.03	3.22	4.61	14.00 ( 3.50 - 16.50 )	3.30 ( 0.76 - 5.17 )	14.50	99
15+15+15+22+35+60	1.30	1.30	1.30	1.90	3.02	5.19	14.01 ( 3.50 - 16.50 )	3.30 ( 0.76 - 5.17 )	14.48	99
15+15+15+22+35+71	1.21	1.21	1.21	1.78	2.83	5.75	13.99 ( 3.50 - 16.50 )	3.29 ( 0.76 - 5.16 )	14.45	99
15+15+15+22+42+42	1.39	1.39	1.39	2.04	3.89	3.89	13.99 ( 3.50 - 16.50 )	3.31 ( 0.76 - 5.18 )	14.52	99
15+15+15+22+42+50	1.32	1.32	1.32	1.94	3.70	4.40	14.00 ( 3.50 - 16.50 )	3.29 ( 0.76 - 5.16 )	14.45	99
15+15+15+22+42+60	1.24	1.24	1.24	1.82	3.48	4.97	13.99 ( 3.50 - 16.50 )	3.29 ( 0.76 - 5.15 )	14.43	99
15+15+15+22+42+71	1.17	1.17	1.17	1.71	3.27	5.52	14.01 ( 3.50 - 16.50 )	3.28 ( 0.76 - 5.15 )	14.41	99
15+15+15+22+50+50	1.26	1.26	1.26	1.84	4.19	4.19	14.00 ( 3.50 - 16.50 )	3.28 ( 0.76 - 5.15 )	14.40	99
15+15+15+22+50+60	1.19	1.19	1.19	1.74	3.95	4.75	14.01 ( 3.50 - 16.50 )	3.27 ( 0.76 - 5.15 )	14.37	99

# MXZ-6D122VA HEATING

Indoor units combination	Heating Capacity (kW)							Outdoor unit power consumption (kW)	Current (A)	Power factor (%)
	Unit A	Unit B	Unit C	Unit D	Unit E	Unit F	Total			
15+15+15+25+25+25	1.75	1.75	1.75	2.92	2.92	2.92	14.01 ( 3.50 - 16.50 )	3.33 ( 0.76 - 5.20 )	14.63	99
15+15+15+25+25+35	1.62	1.62	1.62	2.69	2.69	3.77	14.01 ( 3.50 - 16.50 )	3.33 ( 0.76 - 5.20 )	14.61	99
15+15+15+25+25+42	1.53	1.53	1.53	2.55	2.55	4.29	13.98 ( 3.50 - 16.50 )	3.32 ( 0.76 - 5.19 )	14.56	99
15+15+15+25+25+50	1.45	1.45	1.45	2.41	2.41	4.83	14.00 ( 3.50 - 16.50 )	3.30 ( 0.76 - 5.17 )	14.50	99
15+15+15+25+25+60	1.35	1.35	1.35	2.26	2.26	5.42	13.99 ( 3.50 - 16.50 )	3.30 ( 0.76 - 5.17 )	14.48	99
15+15+15+25+25+71	1.27	1.27	1.27	2.11	2.11	5.99	14.02 ( 3.50 - 16.50 )	3.29 ( 0.76 - 5.16 )	14.46	99
15+15+15+25+35+35	1.50	1.50	1.50	2.50	3.50	3.50	14.00 ( 3.50 - 16.50 )	3.32 ( 0.76 - 5.20 )	14.60	99
15+15+15+25+35+42	1.43	1.43	1.43	2.38	3.33	4.00	14.00 ( 3.50 - 16.50 )	3.31 ( 0.76 - 5.18 )	14.55	99
15+15+15+25+35+50	1.35	1.35	1.35	2.26	3.16	4.52	13.99 ( 3.50 - 16.50 )	3.30 ( 0.76 - 5.17 )	14.49	99
15+15+15+25+35+60	1.27	1.27	1.27	2.12	2.97	5.09	13.99 ( 3.50 - 16.50 )	3.29 ( 0.76 - 5.16 )	14.47	99
15+15+15+25+35+71	1.19	1.19	1.19	1.99	2.78	5.65	13.99 ( 3.50 - 16.50 )	3.29 ( 0.76 - 5.16 )	14.45	99
15+15+15+25+42+42	1.36	1.36	1.36	2.27	3.82	3.82	13.99 ( 3.50 - 16.50 )	3.30 ( 0.76 - 5.17 )	14.50	99
15+15+15+25+42+50	1.30	1.30	1.30	2.16	3.63	4.32	14.01 ( 3.50 - 16.50 )	3.29 ( 0.76 - 5.16 )	14.45	99
15+15+15+25+42+60	1.22	1.22	1.22	2.03	3.42	4.88	13.99 ( 3.50 - 16.50 )	3.28 ( 0.76 - 5.15 )	14.42	99
15+15+15+25+50+50	1.24	1.24	1.24	2.06	4.12	4.12	14.02 ( 3.50 - 16.50 )	3.28 ( 0.76 - 5.15 )	14.39	99
15+15+15+25+50+60	1.17	1.17	1.17	1.94	3.89	4.67	14.01 ( 3.50 - 16.50 )	3.27 ( 0.76 - 5.15 )	14.37	99
15+15+15+35+35+35	1.40	1.40	1.40	3.27	3.27	3.27	14.01 ( 3.50 - 16.50 )	3.32 ( 0.76 - 5.19 )	14.58	99
15+15+15+35+35+42	1.34	1.34	1.34	3.12	3.12	3.75	14.01 ( 3.50 - 16.50 )	3.31 ( 0.76 - 5.18 )	14.54	99
15+15+15+35+35+50	1.27	1.27	1.27	2.97	2.97	4.24	13.99 ( 3.50 - 16.50 )	3.30 ( 0.76 - 5.17 )	14.48	99
15+15+15+35+35+60	1.20	1.20	1.20	2.80	2.80	4.80	14.00 ( 3.50 - 16.50 )	3.29 ( 0.76 - 5.16 )	14.45	99
15+15+15+35+42+42	1.28	1.28	1.28	2.99	3.59	3.59	14.01 ( 3.50 - 16.50 )	3.30 ( 0.76 - 5.17 )	14.49	99
15+15+15+35+42+50	1.22	1.22	1.22	2.85	3.42	4.07	14.00 ( 3.50 - 16.50 )	3.29 ( 0.76 - 5.15 )	14.43	99
15+15+15+35+50+50	1.17	1.17	1.17	2.72	3.89	3.89	14.01 ( 3.50 - 16.50 )	3.27 ( 0.76 - 5.15 )	14.37	99
15+15+15+42+42+42	1.23	1.23	1.23	3.44	3.44	3.44	14.01 ( 3.50 - 16.50 )	3.29 ( 0.76 - 5.16 )	14.45	99
15+15+15+42+42+50	1.17	1.17	1.17	3.28	3.28	3.91	13.98 ( 3.50 - 16.50 )	3.28 ( 0.76 - 5.15 )	14.39	99
15+15+18+18+18+18	2.06	2.06	2.47	2.47	2.47	2.47	14.00 ( 3.50 - 16.50 )	3.32 ( 0.76 - 5.20 )	14.60	99
15+15+18+18+18+20	2.02	2.02	2.42	2.42	2.42	2.69	13.99 ( 3.50 - 16.50 )	3.33 ( 0.76 - 5.20 )	14.64	99
15+15+18+18+18+22	1.98	1.98	2.38	2.38	2.38	2.91	14.01 ( 3.50 - 16.50 )	3.32 ( 0.76 - 5.20 )	14.60	99
15+15+18+18+18+25	1.93	1.93	2.31	2.31	2.31	3.21	14.00 ( 3.50 - 16.50 )	3.32 ( 0.76 - 5.19 )	14.60	99
15+15+18+18+18+35	1.76	1.76	2.12	2.12	2.12	4.12	14.00 ( 3.50 - 16.50 )	3.32 ( 0.76 - 5.19 )	14.58	99
15+15+18+18+18+42	1.67	1.67	2.00	2.00	2.00	4.67	14.01 ( 3.50 - 16.50 )	3.31 ( 0.76 - 5.18 )	14.53	99
15+15+18+18+18+50	1.57	1.57	1.88	1.88	1.88	5.22	14.00 ( 3.50 - 16.50 )	3.29 ( 0.76 - 5.16 )	14.47	99
15+15+18+18+18+60	1.46	1.46	1.75	1.75	1.75	5.83	14.00 ( 3.50 - 16.50 )	3.29 ( 0.76 - 5.16 )	14.45	99
15+15+18+18+18+71	1.35	1.35	1.63	1.63	1.63	6.41	14.00 ( 3.50 - 16.50 )	3.28 ( 0.76 - 5.15 )	14.43	99
15+15+18+18+20+20	1.91	1.91	2.29	2.29	2.55	2.55	13.50 ( 3.50 - 16.20 )	3.45 ( 0.78 - 5.71 )	15.13	99
15+15+18+18+20+22	1.94	1.94	2.33	2.33	2.59	2.85	13.98 ( 3.50 - 16.50 )	3.33 ( 0.76 - 5.20 )	14.64	99

# MXZ-6D122VA HEATING

Indoor units combination	Heating Capacity (kW)							Outdoor unit power consumption (kW)	Current (A)	Power factor (%)
	Unit A	Unit B	Unit C	Unit D	Unit E	Unit F	Total			
15+15+18+18+20+25	1.89	1.89	2.27	2.27	2.52	3.15	13.99 ( 3.50 - 16.50 )	3.33 ( 0.76 - 5.20 )	14.63	99
15+15+18+18+20+35	1.74	1.74	2.08	2.08	2.31	4.05	14.00 ( 3.50 - 16.50 )	3.33 ( 0.76 - 5.20 )	14.62	99
15+15+18+18+20+42	1.64	1.64	1.97	1.97	2.19	4.59	14.00 ( 3.50 - 16.50 )	3.32 ( 0.76 - 5.19 )	14.57	99
15+15+18+18+20+50	1.54	1.54	1.85	1.85	2.06	5.15	13.99 ( 3.50 - 16.50 )	3.30 ( 0.76 - 5.17 )	14.50	99
15+15+18+18+20+60	1.44	1.44	1.73	1.73	1.92	5.75	14.01 ( 3.50 - 16.50 )	3.30 ( 0.76 - 5.17 )	14.48	99
15+15+18+18+20+71	1.34	1.34	1.61	1.61	1.78	6.33	14.01 ( 3.50 - 16.50 )	3.29 ( 0.76 - 5.16 )	14.47	99
15+15+18+18+22+22	1.91	1.91	2.29	2.29	2.80	2.80	14.00 ( 3.50 - 16.50 )	3.32 ( 0.76 - 5.20 )	14.60	99
15+15+18+18+22+25	1.86	1.86	2.23	2.23	2.73	3.10	14.01 ( 3.50 - 16.50 )	3.32 ( 0.76 - 5.19 )	14.60	99
15+15+18+18+22+35	1.71	1.71	2.05	2.05	2.50	3.98	14.00 ( 3.50 - 16.50 )	3.32 ( 0.76 - 5.19 )	14.58	99
15+15+18+18+22+42	1.62	1.62	1.94	1.94	2.37	4.52	14.01 ( 3.50 - 16.50 )	3.31 ( 0.76 - 5.18 )	14.53	99
15+15+18+18+22+50	1.52	1.52	1.83	1.83	2.23	5.07	14.00 ( 3.50 - 16.50 )	3.29 ( 0.76 - 5.16 )	14.47	99
15+15+18+18+22+60	1.42	1.42	1.70	1.70	2.08	5.68	14.00 ( 3.50 - 16.50 )	3.29 ( 0.76 - 5.16 )	14.45	99
15+15+18+18+22+71	1.32	1.32	1.58	1.58	1.94	6.25	13.99 ( 3.50 - 16.50 )	3.28 ( 0.76 - 5.15 )	14.43	99
15+15+18+18+25+25	1.81	1.81	2.17	2.17	3.02	3.02	14.00 ( 3.50 - 16.50 )	3.32 ( 0.76 - 5.19 )	14.58	99
15+15+18+18+25+35	1.67	1.67	2.00	2.00	2.78	3.89	14.01 ( 3.50 - 16.50 )	3.32 ( 0.76 - 5.19 )	14.57	99
15+15+18+18+25+42	1.58	1.58	1.89	1.89	2.63	4.42	13.99 ( 3.50 - 16.50 )	3.31 ( 0.76 - 5.18 )	14.52	99
15+15+18+18+25+50	1.49	1.49	1.79	1.79	2.48	4.96	14.00 ( 3.50 - 16.50 )	3.29 ( 0.76 - 5.16 )	14.46	99
15+15+18+18+25+60	1.39	1.39	1.67	1.67	2.32	5.56	14.00 ( 3.50 - 16.50 )	3.29 ( 0.76 - 5.16 )	14.44	99
15+15+18+18+25+71	1.30	1.30	1.56	1.56	2.16	6.14	14.02 ( 3.50 - 16.50 )	3.28 ( 0.76 - 5.15 )	14.42	99
15+15+18+18+35+35	1.54	1.54	1.85	1.85	3.60	3.60	13.98 ( 3.50 - 16.50 )	3.31 ( 0.76 - 5.18 )	14.55	99
15+15+18+18+35+42	1.47	1.47	1.76	1.76	3.43	4.11	14.00 ( 3.50 - 16.50 )	3.30 ( 0.76 - 5.17 )	14.50	99
15+15+18+18+35+50	1.39	1.39	1.67	1.67	3.25	4.64	14.01 ( 3.50 - 16.50 )	3.29 ( 0.76 - 5.16 )	14.45	99
15+15+18+18+35+60	1.30	1.30	1.57	1.57	3.04	5.22	14.00 ( 3.50 - 16.50 )	3.28 ( 0.76 - 5.15 )	14.43	99
15+15+18+18+35+71	1.22	1.22	1.47	1.47	2.85	5.78	14.01 ( 3.50 - 16.50 )	3.28 ( 0.76 - 5.15 )	14.40	99
15+15+18+18+42+42	1.40	1.40	1.68	1.68	3.92	3.92	14.00 ( 3.50 - 16.50 )	3.29 ( 0.76 - 5.16 )	14.46	99
15+15+18+18+42+50	1.33	1.33	1.59	1.59	3.72	4.43	13.99 ( 3.50 - 16.50 )	3.28 ( 0.76 - 5.15 )	14.40	99
15+15+18+18+42+60	1.25	1.25	1.50	1.50	3.50	5.00	14.00 ( 3.50 - 16.50 )	3.27 ( 0.76 - 5.15 )	14.38	99
15+15+18+18+42+71	1.17	1.17	1.41	1.41	3.28	5.55	13.99 ( 3.50 - 16.50 )	3.27 ( 0.76 - 5.15 )	14.36	99
15+15+18+18+50+50	1.27	1.27	1.52	1.52	4.22	4.22	14.02 ( 3.50 - 16.50 )	3.27 ( 0.76 - 5.15 )	14.35	99
15+15+18+18+50+60	1.19	1.19	1.43	1.43	3.98	4.77	13.99 ( 3.50 - 16.50 )	3.26 ( 0.76 - 5.15 )	14.33	99
15+15+18+20+20+20	1.76	1.76	2.12	2.35	2.35	2.35	12.69 ( 3.40 - 16.00 )	3.29 ( 0.79 - 6.02 )	14.44	99
15+15+18+20+20+22	1.84	1.84	2.21	2.45	2.45	2.70	13.49 ( 3.50 - 16.20 )	3.45 ( 0.78 - 5.71 )	15.13	99
15+15+18+20+20+25	1.82	1.82	2.18	2.42	2.42	3.03	13.69 ( 3.50 - 16.40 )	3.40 ( 0.78 - 5.51 )	14.94	99
15+15+18+20+20+35	1.70	1.70	2.04	2.26	2.26	3.96	13.92 ( 3.50 - 16.50 )	3.35 ( 0.77 - 5.28 )	14.71	99
15+15+18+20+20+42	1.62	1.62	1.94	2.15	2.15	4.52	14.00 ( 3.50 - 16.50 )	3.33 ( 0.76 - 5.20 )	14.60	99
15+15+18+20+20+50	1.52	1.52	1.83	2.03	2.03	5.07	14.00 ( 3.50 - 16.50 )	3.31 ( 0.76 - 5.18 )	14.55	99

# MXZ-6D122VA HEATING

Indoor units combination	Heating Capacity (kW)							Outdoor unit power consumption (kW)	Current (A)	Power factor (%)
	Unit A	Unit B	Unit C	Unit D	Unit E	Unit F	Total			
15+15+18+20+20+60	1.42	1.42	1.70	1.89	1.89	5.68	14.00 ( 3.50 - 16.50 )	3.31 ( 0.76 - 5.18 )	14.52	99
15+15+18+20+20+71	1.32	1.32	1.58	1.76	1.76	6.25	13.99 ( 3.50 - 16.50 )	3.30 ( 0.76 - 5.17 )	14.50	99
15+15+18+20+22+22	1.88	1.88	2.25	2.50	2.75	2.75	14.01 ( 3.50 - 16.50 )	3.33 ( 0.76 - 5.20 )	14.64	99
15+15+18+20+22+25	1.83	1.83	2.19	2.43	2.68	3.04	14.00 ( 3.50 - 16.50 )	3.33 ( 0.76 - 5.20 )	14.63	99
15+15+18+20+22+35	1.68	1.68	2.02	2.24	2.46	3.92	14.00 ( 3.50 - 16.50 )	3.33 ( 0.76 - 5.20 )	14.62	99
15+15+18+20+22+42	1.59	1.59	1.91	2.12	2.33	4.45	13.99 ( 3.50 - 16.50 )	3.32 ( 0.76 - 5.19 )	14.57	99
15+15+18+20+22+50	1.50	1.50	1.80	2.00	2.20	5.00	14.00 ( 3.50 - 16.50 )	3.30 ( 0.76 - 5.17 )	14.50	99
15+15+18+20+22+60	1.40	1.40	1.68	1.87	2.05	5.60	14.00 ( 3.50 - 16.50 )	3.30 ( 0.76 - 5.17 )	14.48	99
15+15+18+20+22+71	1.30	1.30	1.57	1.74	1.91	6.17	13.99 ( 3.50 - 16.50 )	3.29 ( 0.76 - 5.16 )	14.47	99
15+15+18+20+25+25	1.78	1.78	2.14	2.37	2.97	2.97	14.01 ( 3.50 - 16.50 )	3.33 ( 0.76 - 5.20 )	14.62	99
15+15+18+20+25+35	1.64	1.64	1.97	2.19	2.73	3.83	14.00 ( 3.50 - 16.50 )	3.33 ( 0.76 - 5.20 )	14.60	99
15+15+18+20+25+42	1.56	1.56	1.87	2.07	2.59	4.36	14.01 ( 3.50 - 16.50 )	3.31 ( 0.76 - 5.18 )	14.56	99
15+15+18+20+25+50	1.47	1.47	1.76	1.96	2.45	4.90	14.01 ( 3.50 - 16.50 )	3.30 ( 0.76 - 5.17 )	14.50	99
15+15+18+20+25+60	1.37	1.37	1.65	1.83	2.29	5.49	14.00 ( 3.50 - 16.50 )	3.30 ( 0.76 - 5.17 )	14.48	99
15+15+18+20+25+71	1.28	1.28	1.54	1.71	2.13	6.06	14.00 ( 3.50 - 16.50 )	3.29 ( 0.76 - 5.16 )	14.45	99
15+15+18+20+35+35	1.52	1.52	1.83	2.03	3.55	3.55	14.00 ( 3.50 - 16.50 )	3.32 ( 0.76 - 5.20 )	14.60	99
15+15+18+20+35+42	1.45	1.45	1.74	1.93	3.38	4.06	14.01 ( 3.50 - 16.50 )	3.31 ( 0.76 - 5.18 )	14.55	99
15+15+18+20+35+50	1.37	1.37	1.65	1.83	3.20	4.58	14.00 ( 3.50 - 16.50 )	3.30 ( 0.76 - 5.17 )	14.48	99
15+15+18+20+35+60	1.29	1.29	1.55	1.72	3.01	5.15	14.01 ( 3.50 - 16.50 )	3.29 ( 0.76 - 5.16 )	14.47	99
15+15+18+20+35+71	1.21	1.21	1.45	1.61	2.82	5.71	14.01 ( 3.50 - 16.50 )	3.29 ( 0.76 - 5.16 )	14.44	99
15+15+18+20+42+42	1.38	1.38	1.66	1.84	3.87	3.87	14.00 ( 3.50 - 16.50 )	3.30 ( 0.76 - 5.17 )	14.50	99
15+15+18+20+42+50	1.31	1.31	1.58	1.75	3.68	4.38	14.01 ( 3.50 - 16.50 )	3.29 ( 0.76 - 5.16 )	14.44	99
15+15+18+20+42+60	1.24	1.24	1.48	1.65	3.46	4.94	14.01 ( 3.50 - 16.50 )	3.28 ( 0.76 - 5.15 )	14.42	99
15+15+18+20+50+50	1.25	1.25	1.50	1.67	4.17	4.17	14.01 ( 3.50 - 16.50 )	3.28 ( 0.76 - 5.15 )	14.39	99
15+15+18+20+50+60	1.18	1.18	1.42	1.57	3.93	4.72	14.00 ( 3.50 - 16.50 )	3.27 ( 0.76 - 5.15 )	14.36	99
15+15+18+22+22+22	1.84	1.84	2.21	2.70	2.70	2.70	13.99 ( 3.50 - 16.50 )	3.32 ( 0.76 - 5.20 )	14.60	99
15+15+18+22+22+25	1.79	1.79	2.15	2.63	2.63	2.99	13.98 ( 3.50 - 16.50 )	3.32 ( 0.76 - 5.19 )	14.60	99
15+15+18+22+22+35	1.65	1.65	1.98	2.43	2.43	3.86	14.00 ( 3.50 - 16.50 )	3.32 ( 0.76 - 5.19 )	14.58	99
15+15+18+22+22+42	1.57	1.57	1.88	2.30	2.30	4.39	14.01 ( 3.50 - 16.50 )	3.31 ( 0.76 - 5.18 )	14.53	99
15+15+18+22+22+50	1.48	1.48	1.77	2.17	2.17	4.93	14.00 ( 3.50 - 16.50 )	3.29 ( 0.76 - 5.16 )	14.47	99
15+15+18+22+22+60	1.38	1.38	1.66	2.03	2.03	5.53	14.01 ( 3.50 - 16.50 )	3.29 ( 0.76 - 5.16 )	14.45	99
15+15+18+22+22+71	1.29	1.29	1.55	1.89	1.89	6.10	14.01 ( 3.50 - 16.50 )	3.28 ( 0.76 - 5.15 )	14.43	99
15+15+18+22+25+25	1.75	1.75	2.10	2.57	2.92	2.92	14.01 ( 3.50 - 16.50 )	3.32 ( 0.76 - 5.19 )	14.58	99
15+15+18+22+25+35	1.62	1.62	1.94	2.37	2.69	3.77	14.01 ( 3.50 - 16.50 )	3.32 ( 0.76 - 5.19 )	14.57	99
15+15+18+22+25+42	1.53	1.53	1.84	2.25	2.55	4.29	13.99 ( 3.50 - 16.50 )	3.31 ( 0.76 - 5.18 )	14.52	99
15+15+18+22+25+50	1.45	1.45	1.74	2.12	2.41	4.83	14.00 ( 3.50 - 16.50 )	3.29 ( 0.76 - 5.16 )	14.46	99

# MXZ-6D122VA HEATING

Indoor units combination	Heating Capacity (kW)							Outdoor unit power consumption (kW)	Current (A)	Power factor (%)
	Unit A	Unit B	Unit C	Unit D	Unit E	Unit F	Total			
15+15+18+22+25+60	1.35	1.35	1.63	1.99	2.26	5.42	14.00 ( 3.50 - 16.50 )	3.29 ( 0.76 - 5.16 )	14.44	99
15+15+18+22+25+71	1.27	1.27	1.52	1.86	2.11	5.99	14.02 ( 3.50 - 16.50 )	3.28 ( 0.76 - 5.15 )	14.42	99
15+15+18+22+35+35	1.50	1.50	1.80	2.20	3.50	3.50	14.00 ( 3.50 - 16.50 )	3.31 ( 0.76 - 5.18 )	14.55	99
15+15+18+22+35+42	1.43	1.43	1.71	2.10	3.33	4.00	14.00 ( 3.50 - 16.50 )	3.30 ( 0.76 - 5.17 )	14.50	99
15+15+18+22+35+50	1.35	1.35	1.63	1.99	3.16	4.52	14.00 ( 3.50 - 16.50 )	3.29 ( 0.76 - 5.16 )	14.45	99
15+15+18+22+35+60	1.27	1.27	1.53	1.87	2.97	5.09	14.00 ( 3.50 - 16.50 )	3.28 ( 0.76 - 5.15 )	14.43	99
15+15+18+22+35+71	1.19	1.19	1.43	1.75	2.78	5.65	13.99 ( 3.50 - 16.50 )	3.28 ( 0.76 - 5.15 )	14.40	99
15+15+18+22+42+42	1.36	1.36	1.64	2.00	3.82	3.82	14.00 ( 3.50 - 16.50 )	3.29 ( 0.76 - 5.16 )	14.46	99
15+15+18+22+42+50	1.30	1.30	1.56	1.90	3.63	4.32	14.01 ( 3.50 - 16.50 )	3.28 ( 0.76 - 5.15 )	14.40	99
15+15+18+22+42+60	1.22	1.22	1.47	1.79	3.42	4.88	14.00 ( 3.50 - 16.50 )	3.27 ( 0.76 - 5.15 )	14.38	99
15+15+18+22+50+50	1.24	1.24	1.48	1.81	4.12	4.12	14.01 ( 3.50 - 16.50 )	3.27 ( 0.76 - 5.15 )	14.35	99
15+15+18+22+50+60	1.17	1.17	1.40	1.71	3.89	4.67	14.01 ( 3.50 - 16.50 )	3.26 ( 0.76 - 5.15 )	14.33	99
15+15+18+25+25+25	1.71	1.71	2.05	2.85	2.85	2.85	14.02 ( 3.50 - 16.50 )	3.32 ( 0.76 - 5.19 )	14.57	99
15+15+18+25+25+35	1.58	1.58	1.89	2.63	2.63	3.68	13.99 ( 3.50 - 16.50 )	3.31 ( 0.76 - 5.18 )	14.56	99
15+15+18+25+25+42	1.50	1.50	1.80	2.50	2.50	4.20	14.00 ( 3.50 - 16.50 )	3.31 ( 0.76 - 5.18 )	14.52	99
15+15+18+25+25+50	1.42	1.42	1.70	2.36	2.36	4.73	13.99 ( 3.50 - 16.50 )	3.29 ( 0.76 - 5.16 )	14.45	99
15+15+18+25+25+60	1.33	1.33	1.59	2.22	2.22	5.32	14.01 ( 3.50 - 16.50 )	3.29 ( 0.76 - 5.15 )	14.43	99
15+15+18+25+25+71	1.24	1.24	1.49	2.07	2.07	5.88	13.99 ( 3.50 - 16.50 )	3.28 ( 0.76 - 5.15 )	14.41	99
15+15+18+25+35+35	1.47	1.47	1.76	2.45	3.43	3.43	14.01 ( 3.50 - 16.50 )	3.31 ( 0.76 - 5.18 )	14.55	99
15+15+18+25+35+42	1.40	1.40	1.68	2.33	3.27	3.92	14.00 ( 3.50 - 16.50 )	3.30 ( 0.76 - 5.17 )	14.50	99
15+15+18+25+35+50	1.33	1.33	1.59	2.22	3.10	4.43	14.00 ( 3.50 - 16.50 )	3.29 ( 0.76 - 5.16 )	14.44	99
15+15+18+25+35+60	1.25	1.25	1.50	2.08	2.92	5.00	14.00 ( 3.50 - 16.50 )	3.28 ( 0.76 - 5.15 )	14.42	99
15+15+18+25+35+71	1.17	1.17	1.41	1.96	2.74	5.55	14.00 ( 3.50 - 16.50 )	3.28 ( 0.76 - 5.15 )	14.39	99
15+15+18+25+42+42	1.34	1.34	1.61	2.23	3.75	3.75	14.02 ( 3.50 - 16.50 )	3.29 ( 0.76 - 5.16 )	14.45	99
15+15+18+25+42+50	1.27	1.27	1.53	2.12	3.56	4.24	13.99 ( 3.50 - 16.50 )	3.28 ( 0.76 - 5.15 )	14.39	99
15+15+18+25+42+60	1.20	1.20	1.44	2.00	3.36	4.80	14.00 ( 3.50 - 16.50 )	3.27 ( 0.76 - 5.15 )	14.37	99
15+15+18+25+50+50	1.21	1.21	1.46	2.02	4.05	4.05	14.00 ( 3.50 - 16.50 )	3.27 ( 0.76 - 5.15 )	14.34	99
15+15+18+35+35+35	1.37	1.37	1.65	3.20	3.20	3.20	13.99 ( 3.50 - 16.50 )	3.31 ( 0.76 - 5.18 )	14.53	99
15+15+18+35+35+42	1.31	1.31	1.58	3.06	3.06	3.68	14.00 ( 3.50 - 16.50 )	3.30 ( 0.76 - 5.17 )	14.48	99
15+15+18+35+35+50	1.25	1.25	1.50	2.92	2.92	4.17	14.01 ( 3.50 - 16.50 )	3.28 ( 0.76 - 5.15 )	14.43	99
15+15+18+35+35+60	1.18	1.18	1.42	2.75	2.75	4.72	14.00 ( 3.50 - 16.50 )	3.28 ( 0.76 - 5.15 )	14.40	99
15+15+18+35+42+42	1.26	1.26	1.51	2.93	3.52	3.52	14.00 ( 3.50 - 16.50 )	3.29 ( 0.76 - 5.16 )	14.44	99
15+15+18+35+42+50	1.20	1.20	1.44	2.80	3.36	4.00	14.00 ( 3.50 - 16.50 )	3.27 ( 0.76 - 5.15 )	14.38	99
15+15+18+42+42+42	1.21	1.21	1.45	3.38	3.38	3.38	14.01 ( 3.50 - 16.50 )	3.28 ( 0.76 - 5.15 )	14.39	99
15+15+20+20+20+20	1.58	1.58	2.11	2.11	2.11	2.11	11.60 ( 3.40 - 16.00 )	2.79 ( 0.79 - 6.02 )	12.27	99
15+15+20+20+20+22	1.70	1.70	2.27	2.27	2.27	2.49	12.70 ( 3.40 - 16.00 )	3.29 ( 0.79 - 6.02 )	14.44	99

# MXZ-6D122VA HEATING

Indoor units combination	Heating Capacity (kW)							Outdoor unit power consumption (kW)	Current (A)	Power factor (%)
	Unit A	Unit B	Unit C	Unit D	Unit E	Unit F	Total			
15+15+20+20+20+25	1.70	1.70	2.26	2.26	2.26	2.83	13.01 ( 3.40 - 16.00 )	3.42 ( 0.79 - 6.02 )	15.03	99
15+15+20+20+20+35	1.60	1.60	2.13	2.13	2.13	3.72	13.31 ( 3.50 - 16.10 )	3.49 ( 0.79 - 5.91 )	15.33	99
15+15+20+20+20+42	1.59	1.59	2.12	2.12	2.12	4.45	13.99 ( 3.50 - 16.50 )	3.33 ( 0.76 - 5.20 )	14.64	99
15+15+20+20+20+50	1.50	1.50	2.00	2.00	2.00	5.00	14.00 ( 3.50 - 16.50 )	3.32 ( 0.76 - 5.19 )	14.58	99
15+15+20+20+20+60	1.40	1.40	1.87	1.87	1.87	5.60	14.01 ( 3.50 - 16.50 )	3.31 ( 0.76 - 5.18 )	14.56	99
15+15+20+20+20+71	1.30	1.30	1.74	1.74	1.74	6.17	13.99 ( 3.50 - 16.50 )	3.31 ( 0.76 - 5.18 )	14.53	99
15+15+20+20+22+22	1.78	1.78	2.37	2.37	2.61	2.61	13.52 ( 3.50 - 16.20 )	3.45 ( 0.78 - 5.71 )	15.13	99
15+15+20+20+22+25	1.76	1.76	2.34	2.34	2.58	2.93	13.71 ( 3.50 - 16.40 )	3.40 ( 0.78 - 5.51 )	14.94	99
15+15+20+20+22+35	1.64	1.64	2.19	2.19	2.41	3.84	13.91 ( 3.50 - 16.50 )	3.35 ( 0.77 - 5.28 )	14.71	99
15+15+20+20+22+42	1.57	1.57	2.09	2.09	2.30	4.39	14.01 ( 3.50 - 16.50 )	3.33 ( 0.76 - 5.20 )	14.60	99
15+15+20+20+22+50	1.48	1.48	1.97	1.97	2.17	4.93	14.00 ( 3.50 - 16.50 )	3.31 ( 0.76 - 5.18 )	14.54	99
15+15+20+20+22+60	1.38	1.38	1.84	1.84	2.03	5.53	14.00 ( 3.50 - 16.50 )	3.31 ( 0.76 - 5.18 )	14.52	99
15+15+20+20+22+71	1.29	1.29	1.72	1.72	1.89	6.10	14.01 ( 3.50 - 16.50 )	3.30 ( 0.76 - 5.17 )	14.50	99
15+15+20+20+25+25	1.74	1.74	2.32	2.32	2.90	2.90	13.92 ( 3.50 - 16.50 )	3.36 ( 0.77 - 5.31 )	14.74	99
15+15+20+20+25+35	1.62	1.62	2.15	2.15	2.69	3.77	14.00 ( 3.50 - 16.50 )	3.33 ( 0.76 - 5.20 )	14.64	99
15+15+20+20+25+42	1.53	1.53	2.04	2.04	2.55	4.29	13.98 ( 3.50 - 16.50 )	3.32 ( 0.76 - 5.20 )	14.60	99
15+15+20+20+25+50	1.45	1.45	1.93	1.93	2.41	4.83	14.00 ( 3.50 - 16.50 )	3.31 ( 0.76 - 5.18 )	14.53	99
15+15+20+20+25+60	1.35	1.35	1.81	1.81	2.26	5.42	14.00 ( 3.50 - 16.50 )	3.31 ( 0.76 - 5.18 )	14.52	99
15+15+20+20+25+71	1.27	1.27	1.69	1.69	2.11	5.99	14.02 ( 3.50 - 16.50 )	3.30 ( 0.76 - 5.17 )	14.48	99
15+15+20+20+35+35	1.50	1.50	2.00	2.00	3.50	3.50	14.00 ( 3.50 - 16.50 )	3.33 ( 0.76 - 5.20 )	14.63	99
15+15+20+20+35+42	1.43	1.43	1.90	1.90	3.33	4.00	13.99 ( 3.50 - 16.50 )	3.32 ( 0.76 - 5.19 )	14.58	99
15+15+20+20+35+50	1.35	1.35	1.81	1.81	3.16	4.52	14.00 ( 3.50 - 16.50 )	3.31 ( 0.76 - 5.18 )	14.52	99
15+15+20+20+35+60	1.27	1.27	1.70	1.70	2.97	5.09	14.00 ( 3.50 - 16.50 )	3.30 ( 0.76 - 5.17 )	14.50	99
15+15+20+20+35+71	1.19	1.19	1.59	1.59	2.78	5.65	13.99 ( 3.50 - 16.50 )	3.30 ( 0.76 - 5.17 )	14.48	99
15+15+20+20+42+42	1.36	1.36	1.82	1.82	3.82	3.82	14.00 ( 3.50 - 16.50 )	3.31 ( 0.76 - 5.18 )	14.53	99
15+15+20+20+42+50	1.30	1.30	1.73	1.73	3.63	4.32	14.01 ( 3.50 - 16.50 )	3.30 ( 0.76 - 5.17 )	14.48	99
15+15+20+20+42+60	1.22	1.22	1.63	1.63	3.42	4.88	14.00 ( 3.50 - 16.50 )	3.29 ( 0.76 - 5.16 )	14.45	99
15+15+20+20+50+50	1.24	1.24	1.65	1.65	4.12	4.12	14.02 ( 3.50 - 16.50 )	3.28 ( 0.76 - 5.15 )	14.42	99
15+15+20+20+50+60	1.17	1.17	1.56	1.56	3.89	4.67	14.02 ( 3.50 - 16.50 )	3.28 ( 0.76 - 5.15 )	14.39	99
15+15+20+22+22+22	1.81	1.81	2.41	2.66	2.66	2.66	14.01 ( 3.50 - 16.50 )	3.33 ( 0.76 - 5.20 )	14.64	99
15+15+20+22+22+25	1.76	1.76	2.35	2.59	2.59	2.94	13.99 ( 3.50 - 16.50 )	3.33 ( 0.76 - 5.20 )	14.63	99
15+15+20+22+22+35	1.63	1.63	2.17	2.39	2.39	3.80	14.01 ( 3.50 - 16.50 )	3.33 ( 0.76 - 5.20 )	14.62	99
15+15+20+22+22+42	1.54	1.54	2.06	2.26	2.26	4.32	13.98 ( 3.50 - 16.50 )	3.32 ( 0.76 - 5.19 )	14.57	99
15+15+20+22+22+50	1.46	1.46	1.94	2.14	2.14	4.86	14.00 ( 3.50 - 16.50 )	3.30 ( 0.76 - 5.17 )	14.50	99
15+15+20+22+22+60	1.36	1.36	1.82	2.00	2.00	5.45	13.99 ( 3.50 - 16.50 )	3.30 ( 0.76 - 5.17 )	14.48	99
15+15+20+22+22+71	1.27	1.27	1.70	1.87	1.87	6.02	14.00 ( 3.50 - 16.50 )	3.29 ( 0.76 - 5.16 )	14.47	99

# MXZ-6D122VA HEATING

Indoor units combination	Heating Capacity (kW)							Outdoor unit power consumption (kW)	Current (A)	Power factor (%)
	Unit A	Unit B	Unit C	Unit D	Unit E	Unit F	Total			
15+15+20+22+25+25	1.72	1.72	2.30	2.52	2.87	2.87	14.00 ( 3.50 - 16.50 )	3.33 ( 0.76 - 5.20 )	14.62	99
15+15+20+22+25+35	1.59	1.59	2.12	2.33	2.65	3.71	13.99 ( 3.50 - 16.50 )	3.33 ( 0.76 - 5.20 )	14.60	99
15+15+20+22+25+42	1.51	1.51	2.01	2.22	2.52	4.23	14.00 ( 3.50 - 16.50 )	3.31 ( 0.76 - 5.18 )	14.56	99
15+15+20+22+25+50	1.43	1.43	1.90	2.10	2.38	4.76	14.00 ( 3.50 - 16.50 )	3.30 ( 0.76 - 5.17 )	14.50	99
15+15+20+22+25+60	1.34	1.34	1.78	1.96	2.23	5.35	14.00 ( 3.50 - 16.50 )	3.30 ( 0.76 - 5.17 )	14.48	99
15+15+20+22+25+71	1.25	1.25	1.67	1.83	2.08	5.92	14.00 ( 3.50 - 16.50 )	3.29 ( 0.76 - 5.16 )	14.45	99
15+15+20+22+35+35	1.48	1.48	1.97	2.17	3.45	3.45	14.00 ( 3.50 - 16.50 )	3.32 ( 0.76 - 5.20 )	14.60	99
15+15+20+22+35+42	1.41	1.41	1.88	2.07	3.29	3.95	14.01 ( 3.50 - 16.50 )	3.31 ( 0.76 - 5.18 )	14.55	99
15+15+20+22+35+50	1.34	1.34	1.78	1.96	3.12	4.46	14.00 ( 3.50 - 16.50 )	3.30 ( 0.76 - 5.17 )	14.48	99
15+15+20+22+35+60	1.26	1.26	1.68	1.84	2.93	5.03	14.00 ( 3.50 - 16.50 )	3.29 ( 0.76 - 5.16 )	14.47	99
15+15+20+22+35+71	1.18	1.18	1.57	1.73	2.75	5.58	13.99 ( 3.50 - 16.50 )	3.29 ( 0.76 - 5.16 )	14.44	99
15+15+20+22+42+42	1.35	1.35	1.79	1.97	3.77	3.77	14.00 ( 3.50 - 16.50 )	3.30 ( 0.76 - 5.17 )	14.50	99
15+15+20+22+42+50	1.28	1.28	1.71	1.88	3.59	4.27	14.01 ( 3.50 - 16.50 )	3.29 ( 0.76 - 5.16 )	14.44	99
15+15+20+22+42+60	1.21	1.21	1.61	1.77	3.38	4.83	14.01 ( 3.50 - 16.50 )	3.28 ( 0.76 - 5.15 )	14.42	99
15+15+20+22+50+50	1.22	1.22	1.63	1.79	4.07	4.07	14.00 ( 3.50 - 16.50 )	3.28 ( 0.76 - 5.15 )	14.39	99
15+15+20+25+25+25	1.68	1.68	2.24	2.80	2.80	2.80	14.00 ( 3.50 - 16.50 )	3.33 ( 0.76 - 5.20 )	14.61	99
15+15+20+25+25+35	1.56	1.56	2.07	2.59	2.59	3.63	14.00 ( 3.50 - 16.50 )	3.32 ( 0.76 - 5.20 )	14.60	99
15+15+20+25+25+42	1.48	1.48	1.97	2.46	2.46	4.14	13.99 ( 3.50 - 16.50 )	3.31 ( 0.76 - 5.18 )	14.55	99
15+15+20+25+25+50	1.40	1.40	1.87	2.33	2.33	4.67	14.00 ( 3.50 - 16.50 )	3.30 ( 0.76 - 5.17 )	14.48	99
15+15+20+25+25+60	1.31	1.31	1.75	2.19	2.19	5.25	14.00 ( 3.50 - 16.50 )	3.29 ( 0.76 - 5.16 )	14.47	99
15+15+20+25+25+71	1.23	1.23	1.64	2.05	2.05	5.81	14.01 ( 3.50 - 16.50 )	3.29 ( 0.76 - 5.16 )	14.44	99
15+15+20+25+35+35	1.45	1.45	1.93	2.41	3.38	3.38	14.00 ( 3.50 - 16.50 )	3.32 ( 0.76 - 5.19 )	14.58	99
15+15+20+25+35+42	1.38	1.38	1.84	2.30	3.22	3.87	13.99 ( 3.50 - 16.50 )	3.31 ( 0.76 - 5.18 )	14.53	99
15+15+20+25+35+50	1.31	1.31	1.75	2.19	3.06	4.38	14.00 ( 3.50 - 16.50 )	3.30 ( 0.76 - 5.17 )	14.48	99
15+15+20+25+35+60	1.24	1.24	1.65	2.06	2.88	4.94	14.01 ( 3.50 - 16.50 )	3.29 ( 0.76 - 5.16 )	14.45	99
15+15+20+25+42+42	1.32	1.32	1.76	2.20	3.70	3.70	14.00 ( 3.50 - 16.50 )	3.30 ( 0.76 - 5.17 )	14.48	99
15+15+20+25+42+50	1.26	1.26	1.68	2.10	3.52	4.19	14.01 ( 3.50 - 16.50 )	3.28 ( 0.76 - 5.15 )	14.43	99
15+15+20+25+42+60	1.19	1.19	1.58	1.98	3.32	4.75	14.01 ( 3.50 - 16.50 )	3.28 ( 0.76 - 5.15 )	14.41	99
15+15+20+25+50+50	1.20	1.20	1.60	2.00	4.00	4.00	14.00 ( 3.50 - 16.50 )	3.27 ( 0.76 - 5.15 )	14.37	99
15+15+20+35+35+35	1.35	1.35	1.81	3.16	3.16	3.16	13.99 ( 3.50 - 16.50 )	3.32 ( 0.76 - 5.19 )	14.57	99
15+15+20+35+35+42	1.30	1.30	1.73	3.02	3.02	3.63	14.00 ( 3.50 - 16.50 )	3.31 ( 0.76 - 5.18 )	14.52	99
15+15+20+35+35+50	1.24	1.24	1.65	2.88	2.88	4.12	14.01 ( 3.50 - 16.50 )	3.29 ( 0.76 - 5.16 )	14.46	99
15+15+20+35+35+60	1.17	1.17	1.56	2.72	2.72	4.67	14.01 ( 3.50 - 16.50 )	3.29 ( 0.76 - 5.16 )	14.44	99
15+15+20+35+42+42	1.24	1.24	1.66	2.90	3.48	3.48	14.00 ( 3.50 - 16.50 )	3.30 ( 0.76 - 5.17 )	14.48	99
15+15+20+35+42+50	1.19	1.19	1.58	2.77	3.32	3.95	14.00 ( 3.50 - 16.50 )	3.28 ( 0.76 - 5.15 )	14.42	99
15+15+20+42+42+42	1.19	1.19	1.59	3.34	3.34	3.34	13.99 ( 3.50 - 16.50 )	3.29 ( 0.76 - 5.15 )	14.43	99



# MXZ-6D122VA HEATING

Indoor units combination	Heating Capacity (kW)						Outdoor unit power consumption (kW)	Current (A)	Power factor (%)	
	Unit A	Unit B	Unit C	Unit D	Unit E	Unit F				Total
15+15+22+22+22+22	1.78	1.78	2.61	2.61	2.61	2.61	14.00 ( 3.50 - 16.50 )	3.32 ( 0.76 - 5.20 )	14.60	99
15+15+22+22+22+25	1.74	1.74	2.55	2.55	2.55	2.89	14.02 ( 3.50 - 16.50 )	3.32 ( 0.76 - 5.19 )	14.60	99
15+15+22+22+22+35	1.60	1.60	2.35	2.35	2.35	3.74	13.99 ( 3.50 - 16.50 )	3.32 ( 0.76 - 5.19 )	14.58	99
15+15+22+22+22+42	1.52	1.52	2.23	2.23	2.23	4.26	13.99 ( 3.50 - 16.50 )	3.31 ( 0.76 - 5.18 )	14.53	99
15+15+22+22+22+50	1.44	1.44	2.11	2.11	2.11	4.79	14.00 ( 3.50 - 16.50 )	3.29 ( 0.76 - 5.16 )	14.47	99
15+15+22+22+22+60	1.35	1.35	1.97	1.97	1.97	5.38	13.99 ( 3.50 - 16.50 )	3.29 ( 0.76 - 5.16 )	14.45	99
15+15+22+22+22+71	1.26	1.26	1.84	1.84	1.84	5.95	13.99 ( 3.50 - 16.50 )	3.28 ( 0.76 - 5.15 )	14.43	99
15+15+22+22+25+25	1.69	1.69	2.48	2.48	2.82	2.82	13.98 ( 3.50 - 16.50 )	3.32 ( 0.76 - 5.19 )	14.58	99
15+15+22+22+25+35	1.57	1.57	2.30	2.30	2.61	3.66	14.01 ( 3.50 - 16.50 )	3.32 ( 0.76 - 5.19 )	14.57	99
15+15+22+22+25+42	1.49	1.49	2.18	2.18	2.48	4.17	13.99 ( 3.50 - 16.50 )	3.31 ( 0.76 - 5.18 )	14.52	99
15+15+22+22+25+50	1.41	1.41	2.07	2.07	2.35	4.70	14.01 ( 3.50 - 16.50 )	3.29 ( 0.76 - 5.16 )	14.46	99
15+15+22+22+25+60	1.32	1.32	1.94	1.94	2.20	5.28	14.00 ( 3.50 - 16.50 )	3.29 ( 0.76 - 5.16 )	14.44	99
15+15+22+22+25+71	1.24	1.24	1.81	1.81	2.06	5.85	14.01 ( 3.50 - 16.50 )	3.28 ( 0.76 - 5.15 )	14.42	99
15+15+22+22+35+35	1.46	1.46	2.14	2.14	3.40	3.40	14.00 ( 3.50 - 16.50 )	3.31 ( 0.76 - 5.18 )	14.55	99
15+15+22+22+35+42	1.39	1.39	2.04	2.04	3.25	3.89	14.00 ( 3.50 - 16.50 )	3.30 ( 0.76 - 5.17 )	14.50	99
15+15+22+22+35+50	1.32	1.32	1.94	1.94	3.08	4.40	14.00 ( 3.50 - 16.50 )	3.29 ( 0.76 - 5.16 )	14.45	99
15+15+22+22+35+60	1.24	1.24	1.82	1.82	2.90	4.97	13.99 ( 3.50 - 16.50 )	3.28 ( 0.76 - 5.15 )	14.43	99
15+15+22+22+35+71	1.17	1.17	1.71	1.71	2.72	5.52	14.00 ( 3.50 - 16.50 )	3.28 ( 0.76 - 5.15 )	14.40	99
15+15+22+22+42+42	1.33	1.33	1.95	1.95	3.72	3.72	14.00 ( 3.50 - 16.50 )	3.29 ( 0.76 - 5.16 )	14.46	99
15+15+22+22+42+50	1.27	1.27	1.86	1.86	3.54	4.22	14.02 ( 3.50 - 16.50 )	3.28 ( 0.76 - 5.15 )	14.40	99
15+15+22+22+42+60	1.19	1.19	1.75	1.75	3.34	4.77	13.99 ( 3.50 - 16.50 )	3.27 ( 0.76 - 5.15 )	14.38	99
15+15+22+22+50+50	1.21	1.21	1.77	1.77	4.02	4.02	14.00 ( 3.50 - 16.50 )	3.27 ( 0.76 - 5.15 )	14.35	99
15+15+22+25+25+25	1.65	1.65	2.43	2.76	2.76	2.76	14.01 ( 3.50 - 16.50 )	3.32 ( 0.76 - 5.19 )	14.57	99
15+15+22+25+25+35	1.53	1.53	2.25	2.55	2.55	3.58	13.99 ( 3.50 - 16.50 )	3.31 ( 0.76 - 5.18 )	14.56	99
15+15+22+25+25+42	1.46	1.46	2.14	2.43	2.43	4.08	14.00 ( 3.50 - 16.50 )	3.31 ( 0.76 - 5.18 )	14.52	99
15+15+22+25+25+50	1.38	1.38	2.03	2.30	2.30	4.61	14.00 ( 3.50 - 16.50 )	3.29 ( 0.76 - 5.16 )	14.45	99
15+15+22+25+25+60	1.30	1.30	1.90	2.16	2.16	5.19	14.01 ( 3.50 - 16.50 )	3.29 ( 0.76 - 5.15 )	14.43	99
15+15+22+25+25+71	1.21	1.21	1.78	2.02	2.02	5.75	13.99 ( 3.50 - 16.50 )	3.28 ( 0.76 - 5.15 )	14.41	99
15+15+22+25+35+35	1.43	1.43	2.10	2.38	3.33	3.33	14.00 ( 3.50 - 16.50 )	3.31 ( 0.76 - 5.18 )	14.55	99
15+15+22+25+35+42	1.36	1.36	2.00	2.27	3.18	3.82	13.99 ( 3.50 - 16.50 )	3.30 ( 0.76 - 5.17 )	14.50	99
15+15+22+25+35+50	1.30	1.30	1.90	2.16	3.02	4.32	14.00 ( 3.50 - 16.50 )	3.29 ( 0.76 - 5.16 )	14.44	99
15+15+22+25+35+60	1.22	1.22	1.79	2.03	2.85	4.88	13.99 ( 3.50 - 16.50 )	3.28 ( 0.76 - 5.15 )	14.42	99
15+15+22+25+42+42	1.30	1.30	1.91	2.17	3.65	3.65	13.98 ( 3.50 - 16.50 )	3.29 ( 0.76 - 5.16 )	14.45	99
15+15+22+25+42+50	1.24	1.24	1.82	2.07	3.48	4.14	13.99 ( 3.50 - 16.50 )	3.28 ( 0.76 - 5.15 )	14.39	99
15+15+22+25+42+60	1.17	1.17	1.72	1.96	3.28	4.69	13.99 ( 3.50 - 16.50 )	3.27 ( 0.76 - 5.15 )	14.37	99
15+15+22+25+50+50	1.19	1.19	1.74	1.98	3.95	3.95	14.00 ( 3.50 - 16.50 )	3.27 ( 0.76 - 5.15 )	14.34	99

# MXZ-6D122VA HEATING

Indoor units combination	Heating Capacity (kW)							Outdoor unit power consumption (kW)	Current (A)	Power factor (%)
	Unit A	Unit B	Unit C	Unit D	Unit E	Unit F	Total			
15+15+22+35+35+35	1.34	1.34	1.96	3.12	3.12	3.12	14.00 ( 3.50 - 16.50 )	3.31 ( 0.76 - 5.18 )	14.53	99
15+15+22+35+35+42	1.28	1.28	1.88	2.99	2.99	3.59	14.01 ( 3.50 - 16.50 )	3.30 ( 0.76 - 5.17 )	14.48	99
15+15+22+35+35+50	1.22	1.22	1.79	2.85	2.85	4.07	14.00 ( 3.50 - 16.50 )	3.28 ( 0.76 - 5.15 )	14.43	99
15+15+22+35+42+42	1.23	1.23	1.80	2.87	3.44	3.44	14.01 ( 3.50 - 16.50 )	3.29 ( 0.76 - 5.16 )	14.44	99
15+15+22+35+42+50	1.17	1.17	1.72	2.74	3.28	3.91	13.99 ( 3.50 - 16.50 )	3.27 ( 0.76 - 5.15 )	14.38	99
15+15+22+42+42+42	1.18	1.18	1.73	3.30	3.30	3.30	13.99 ( 3.50 - 16.50 )	3.28 ( 0.76 - 5.15 )	14.39	99
15+15+25+25+25+25	1.62	1.62	2.69	2.69	2.69	2.69	14.00 ( 3.50 - 16.50 )	3.32 ( 0.76 - 5.19 )	14.56	99
15+15+25+25+25+35	1.50	1.50	2.50	2.50	2.50	3.50	14.00 ( 3.50 - 16.50 )	3.31 ( 0.76 - 5.18 )	14.55	99
15+15+25+25+25+42	1.43	1.43	2.38	2.38	2.38	4.00	14.00 ( 3.50 - 16.50 )	3.30 ( 0.76 - 5.17 )	14.50	99
15+15+25+25+25+50	1.35	1.35	2.26	2.26	2.26	4.52	14.00 ( 3.50 - 16.50 )	3.29 ( 0.76 - 5.16 )	14.44	99
15+15+25+25+25+60	1.27	1.27	2.12	2.12	2.12	5.09	13.99 ( 3.50 - 16.50 )	3.28 ( 0.76 - 5.15 )	14.42	99
15+15+25+25+25+71	1.19	1.19	1.99	1.99	1.99	5.65	14.00 ( 3.50 - 16.50 )	3.28 ( 0.76 - 5.15 )	14.40	99
15+15+25+25+35+35	1.40	1.40	2.33	2.33	3.27	3.27	14.00 ( 3.50 - 16.50 )	3.31 ( 0.76 - 5.18 )	14.53	99
15+15+25+25+35+42	1.34	1.34	2.23	2.23	3.12	3.75	14.01 ( 3.50 - 16.50 )	3.30 ( 0.76 - 5.17 )	14.48	99
15+15+25+25+35+50	1.27	1.27	2.12	2.12	2.97	4.24	13.99 ( 3.50 - 16.50 )	3.28 ( 0.76 - 5.15 )	14.43	99
15+15+25+25+35+60	1.20	1.20	2.00	2.00	2.80	4.80	14.00 ( 3.50 - 16.50 )	3.28 ( 0.76 - 5.15 )	14.41	99
15+15+25+25+42+42	1.28	1.28	2.13	2.13	3.59	3.59	14.00 ( 3.50 - 16.50 )	3.29 ( 0.76 - 5.16 )	14.44	99
15+15+25+25+42+50	1.22	1.22	2.03	2.03	3.42	4.07	13.99 ( 3.50 - 16.50 )	3.28 ( 0.76 - 5.15 )	14.39	99
15+15+25+25+50+50	1.17	1.17	1.94	1.94	3.89	3.89	14.00 ( 3.50 - 16.50 )	3.26 ( 0.76 - 5.15 )	14.33	99
15+15+25+35+35+35	1.31	1.31	2.19	3.06	3.06	3.06	13.99 ( 3.50 - 16.50 )	3.31 ( 0.76 - 5.18 )	14.52	99
15+15+25+35+35+42	1.26	1.26	2.10	2.93	2.93	3.52	14.00 ( 3.50 - 16.50 )	3.30 ( 0.76 - 5.17 )	14.48	99
15+15+25+35+35+50	1.20	1.20	2.00	2.80	2.80	4.00	14.00 ( 3.50 - 16.50 )	3.28 ( 0.76 - 5.15 )	14.42	99
15+15+25+35+42+42	1.21	1.21	2.01	2.82	3.38	3.38	14.01 ( 3.50 - 16.50 )	3.29 ( 0.76 - 5.15 )	14.43	99
15+15+35+35+35+35	1.24	1.24	2.88	2.88	2.88	2.88	14.00 ( 3.50 - 16.50 )	3.30 ( 0.76 - 5.17 )	14.50	99
15+15+35+35+35+42	1.19	1.19	2.77	2.77	2.77	3.32	14.01 ( 3.50 - 16.50 )	3.29 ( 0.76 - 5.16 )	14.46	99
15+18+18+18+18+18	2.00	2.40	2.40	2.40	2.40	2.40	14.00 ( 3.50 - 16.50 )	3.31 ( 0.76 - 5.18 )	14.55	99
15+18+18+18+18+20	1.96	2.36	2.36	2.36	2.36	2.62	14.02 ( 3.50 - 16.50 )	3.32 ( 0.76 - 5.19 )	14.58	99
15+18+18+18+18+22	1.93	2.31	2.31	2.31	2.31	2.83	14.00 ( 3.50 - 16.50 )	3.31 ( 0.76 - 5.18 )	14.55	99
15+18+18+18+18+25	1.88	2.25	2.25	2.25	2.25	3.13	14.01 ( 3.50 - 16.50 )	3.31 ( 0.76 - 5.18 )	14.54	99
15+18+18+18+18+35	1.72	2.07	2.07	2.07	2.07	4.02	14.02 ( 3.50 - 16.50 )	3.31 ( 0.76 - 5.18 )	14.52	99
15+18+18+18+18+42	1.63	1.95	1.95	1.95	1.95	4.56	13.99 ( 3.50 - 16.50 )	3.30 ( 0.76 - 5.17 )	14.48	99
15+18+18+18+18+50	1.53	1.84	1.84	1.84	1.84	5.11	14.00 ( 3.50 - 16.50 )	3.28 ( 0.76 - 5.15 )	14.42	99
15+18+18+18+18+60	1.43	1.71	1.71	1.71	1.71	5.71	13.98 ( 3.50 - 16.50 )	3.28 ( 0.76 - 5.15 )	14.40	99
15+18+18+18+18+71	1.33	1.59	1.59	1.59	1.59	6.29	13.98 ( 3.50 - 16.50 )	3.27 ( 0.76 - 5.15 )	14.37	99
15+18+18+18+20+20	1.93	2.31	2.31	2.31	2.57	2.57	14.00 ( 3.50 - 16.50 )	3.33 ( 0.76 - 5.20 )	14.63	99
15+18+18+18+20+22	1.89	2.27	2.27	2.27	2.52	2.77	13.99 ( 3.50 - 16.50 )	3.32 ( 0.76 - 5.19 )	14.58	99

# MXZ-6D122VA HEATING

Indoor units combination	Heating Capacity (kW)							Outdoor unit power consumption (kW)	Current (A)	Power factor (%)
	Unit A	Unit B	Unit C	Unit D	Unit E	Unit F	Total			
15+18+18+18+20+25	1.84	2.21	2.21	2.21	2.46	3.07	14.00 ( 3.50 - 16.50 )	3.32 ( 0.76 - 5.19 )	14.57	99
15+18+18+18+20+35	1.69	2.03	2.03	2.03	2.26	3.95	13.99 ( 3.50 - 16.50 )	3.32 ( 0.76 - 5.19 )	14.56	99
15+18+18+18+20+42	1.60	1.92	1.92	1.92	2.14	4.49	13.99 ( 3.50 - 16.50 )	3.31 ( 0.76 - 5.18 )	14.52	99
15+18+18+18+20+50	1.51	1.81	1.81	1.81	2.01	5.04	13.99 ( 3.50 - 16.50 )	3.29 ( 0.76 - 5.16 )	14.45	99
15+18+18+18+20+60	1.41	1.69	1.69	1.69	1.88	5.64	14.00 ( 3.50 - 16.50 )	3.29 ( 0.76 - 5.15 )	14.43	99
15+18+18+18+20+71	1.31	1.58	1.58	1.58	1.75	6.21	14.01 ( 3.50 - 16.50 )	3.28 ( 0.76 - 5.15 )	14.41	99
15+18+18+18+22+22	1.86	2.23	2.23	2.23	2.73	2.73	14.01 ( 3.50 - 16.50 )	3.31 ( 0.76 - 5.18 )	14.55	99
15+18+18+18+22+25	1.81	2.17	2.17	2.17	2.66	3.02	14.00 ( 3.50 - 16.50 )	3.31 ( 0.76 - 5.18 )	14.54	99
15+18+18+18+22+35	1.67	2.00	2.00	2.00	2.44	3.89	14.00 ( 3.50 - 16.50 )	3.31 ( 0.76 - 5.18 )	14.52	99
15+18+18+18+22+42	1.58	1.89	1.89	1.89	2.32	4.42	13.99 ( 3.50 - 16.50 )	3.30 ( 0.76 - 5.17 )	14.48	99
15+18+18+18+22+50	1.49	1.79	1.79	1.79	2.18	4.96	14.00 ( 3.50 - 16.50 )	3.28 ( 0.76 - 5.15 )	14.42	99
15+18+18+18+22+60	1.39	1.67	1.67	1.67	2.04	5.56	14.00 ( 3.50 - 16.50 )	3.28 ( 0.76 - 5.15 )	14.40	99
15+18+18+18+22+71	1.30	1.56	1.56	1.56	1.90	6.14	14.02 ( 3.50 - 16.50 )	3.27 ( 0.76 - 5.15 )	14.37	99
15+18+18+18+25+25	1.76	2.12	2.12	2.12	2.94	2.94	14.00 ( 3.50 - 16.50 )	3.31 ( 0.76 - 5.18 )	14.52	99
15+18+18+18+25+35	1.63	1.95	1.95	1.95	2.71	3.80	13.99 ( 3.50 - 16.50 )	3.31 ( 0.76 - 5.18 )	14.52	99
15+18+18+18+25+42	1.54	1.85	1.85	1.85	2.57	4.32	13.98 ( 3.50 - 16.50 )	3.29 ( 0.76 - 5.16 )	14.47	99
15+18+18+18+25+50	1.46	1.75	1.75	1.75	2.43	4.86	14.00 ( 3.50 - 16.50 )	3.28 ( 0.76 - 5.15 )	14.41	99
15+18+18+18+25+60	1.36	1.64	1.64	1.64	2.27	5.45	14.00 ( 3.50 - 16.50 )	3.28 ( 0.76 - 5.15 )	14.39	99
15+18+18+18+25+71	1.27	1.53	1.53	1.53	2.12	6.02	14.00 ( 3.50 - 16.50 )	3.27 ( 0.76 - 5.15 )	14.37	99
15+18+18+18+35+35	1.51	1.81	1.81	1.81	3.53	3.53	14.00 ( 3.50 - 16.50 )	3.30 ( 0.76 - 5.17 )	14.50	99
15+18+18+18+35+42	1.44	1.73	1.73	1.73	3.36	4.03	14.02 ( 3.50 - 16.50 )	3.29 ( 0.76 - 5.16 )	14.45	99
15+18+18+18+35+50	1.36	1.64	1.64	1.64	3.18	4.55	14.01 ( 3.50 - 16.50 )	3.28 ( 0.76 - 5.15 )	14.40	99
15+18+18+18+35+60	1.28	1.54	1.54	1.54	2.99	5.12	14.01 ( 3.50 - 16.50 )	3.27 ( 0.76 - 5.15 )	14.37	99
15+18+18+18+35+71	1.20	1.44	1.44	1.44	2.80	5.68	14.00 ( 3.50 - 16.50 )	3.27 ( 0.76 - 5.15 )	14.36	99
15+18+18+18+42+42	1.37	1.65	1.65	1.65	3.84	3.84	14.00 ( 3.50 - 16.50 )	3.28 ( 0.76 - 5.15 )	14.41	99
15+18+18+18+42+50	1.30	1.57	1.57	1.57	3.65	4.35	14.01 ( 3.50 - 16.50 )	3.27 ( 0.76 - 5.15 )	14.36	99
15+18+18+18+42+60	1.23	1.47	1.47	1.47	3.44	4.91	13.99 ( 3.50 - 16.50 )	3.26 ( 0.76 - 5.15 )	14.33	99
15+18+18+18+50+50	1.24	1.49	1.49	1.49	4.14	4.14	13.99 ( 3.50 - 16.50 )	3.26 ( 0.76 - 5.15 )	14.32	99
15+18+18+18+50+60	1.17	1.41	1.41	1.41	3.91	4.69	14.00 ( 3.50 - 16.50 )	3.26 ( 0.76 - 5.15 )	14.32	99
15+18+18+20+20+20	1.86	2.24	2.24	2.49	2.49	2.49	13.81 ( 3.50 - 16.40 )	3.38 ( 0.77 - 5.41 )	14.84	99
15+18+18+20+20+22	1.86	2.23	2.23	2.48	2.48	2.73	14.01 ( 3.50 - 16.50 )	3.33 ( 0.76 - 5.20 )	14.63	99
15+18+18+20+20+25	1.81	2.17	2.17	2.41	2.41	3.02	13.99 ( 3.50 - 16.50 )	3.33 ( 0.76 - 5.20 )	14.61	99
15+18+18+20+20+35	1.67	2.00	2.00	2.22	2.22	3.89	14.00 ( 3.50 - 16.50 )	3.32 ( 0.76 - 5.20 )	14.60	99
15+18+18+20+20+42	1.58	1.89	1.89	2.11	2.11	4.42	14.00 ( 3.50 - 16.50 )	3.31 ( 0.76 - 5.18 )	14.55	99
15+18+18+20+20+50	1.49	1.79	1.79	1.99	1.99	4.96	14.01 ( 3.50 - 16.50 )	3.30 ( 0.76 - 5.17 )	14.49	99
15+18+18+20+20+60	1.39	1.67	1.67	1.85	1.85	5.56	13.99 ( 3.50 - 16.50 )	3.29 ( 0.76 - 5.16 )	14.47	99

# MXZ-6D122VA HEATING

Indoor units combination	Heating Capacity (kW)							Outdoor unit power consumption (kW)	Current (A)	Power factor (%)
	Unit A	Unit B	Unit C	Unit D	Unit E	Unit F	Total			
15+18+18+20+20+71	1.30	1.56	1.56	1.73	1.73	6.14	14.02 ( 3.50 - 16.50 )	3.29 ( 0.76 - 5.16 )	14.45	99
15+18+18+20+22+22	1.83	2.19	2.19	2.43	2.68	2.68	14.00 ( 3.50 - 16.50 )	3.32 ( 0.76 - 5.19 )	14.58	99
15+18+18+20+22+25	1.78	2.14	2.14	2.37	2.61	2.97	14.01 ( 3.50 - 16.50 )	3.32 ( 0.76 - 5.19 )	14.57	99
15+18+18+20+22+35	1.64	1.97	1.97	2.19	2.41	3.83	14.01 ( 3.50 - 16.50 )	3.32 ( 0.76 - 5.19 )	14.56	99
15+18+18+20+22+42	1.56	1.87	1.87	2.07	2.28	4.36	14.01 ( 3.50 - 16.50 )	3.31 ( 0.76 - 5.18 )	14.52	99
15+18+18+20+22+50	1.47	1.76	1.76	1.96	2.15	4.90	14.00 ( 3.50 - 16.50 )	3.29 ( 0.76 - 5.16 )	14.45	99
15+18+18+20+22+60	1.37	1.65	1.65	1.83	2.01	5.49	14.00 ( 3.50 - 16.50 )	3.29 ( 0.76 - 5.15 )	14.43	99
15+18+18+20+22+71	1.28	1.54	1.54	1.71	1.88	6.06	14.01 ( 3.50 - 16.50 )	3.28 ( 0.76 - 5.15 )	14.41	99
15+18+18+20+25+25	1.74	2.08	2.08	2.31	2.89	2.89	13.99 ( 3.50 - 16.50 )	3.32 ( 0.76 - 5.19 )	14.56	99
15+18+18+20+25+35	1.60	1.92	1.92	2.14	2.67	3.74	13.99 ( 3.50 - 16.50 )	3.31 ( 0.76 - 5.18 )	14.55	99
15+18+18+20+25+42	1.52	1.83	1.83	2.03	2.54	4.26	14.01 ( 3.50 - 16.50 )	3.30 ( 0.76 - 5.17 )	14.50	99
15+18+18+20+25+50	1.44	1.73	1.73	1.92	2.40	4.79	14.01 ( 3.50 - 16.50 )	3.29 ( 0.76 - 5.16 )	14.45	99
15+18+18+20+25+60	1.35	1.62	1.62	1.79	2.24	5.38	14.00 ( 3.50 - 16.50 )	3.28 ( 0.76 - 5.15 )	14.42	99
15+18+18+20+25+71	1.26	1.51	1.51	1.68	2.10	5.95	14.01 ( 3.50 - 16.50 )	3.28 ( 0.76 - 5.15 )	14.40	99
15+18+18+20+35+35	1.49	1.79	1.79	1.99	3.48	3.48	14.02 ( 3.50 - 16.50 )	3.31 ( 0.76 - 5.18 )	14.54	99
15+18+18+20+35+42	1.42	1.70	1.70	1.89	3.31	3.97	13.99 ( 3.50 - 16.50 )	3.30 ( 0.76 - 5.17 )	14.49	99
15+18+18+20+35+50	1.35	1.62	1.62	1.79	3.14	4.49	14.01 ( 3.50 - 16.50 )	3.29 ( 0.76 - 5.15 )	14.43	99
15+18+18+20+35+60	1.27	1.52	1.52	1.69	2.95	5.06	14.01 ( 3.50 - 16.50 )	3.28 ( 0.76 - 5.15 )	14.41	99
15+18+18+20+35+71	1.19	1.42	1.42	1.58	2.77	5.62	14.00 ( 3.50 - 16.50 )	3.28 ( 0.76 - 5.15 )	14.39	99
15+18+18+20+42+42	1.35	1.63	1.63	1.81	3.79	3.79	14.00 ( 3.50 - 16.50 )	3.29 ( 0.76 - 5.16 )	14.45	99
15+18+18+20+42+50	1.29	1.55	1.55	1.72	3.61	4.29	14.01 ( 3.50 - 16.50 )	3.28 ( 0.76 - 5.15 )	14.39	99
15+18+18+20+42+60	1.21	1.46	1.46	1.62	3.40	4.86	14.01 ( 3.50 - 16.50 )	3.27 ( 0.76 - 5.15 )	14.37	99
15+18+18+20+50+50	1.23	1.47	1.47	1.64	4.09	4.09	13.99 ( 3.50 - 16.50 )	3.26 ( 0.76 - 5.15 )	14.33	99
15+18+18+22+22+22	1.79	2.15	2.15	2.63	2.63	2.63	13.98 ( 3.50 - 16.50 )	3.31 ( 0.76 - 5.18 )	14.55	99
15+18+18+22+22+25	1.75	2.10	2.10	2.57	2.57	2.92	14.01 ( 3.50 - 16.50 )	3.31 ( 0.76 - 5.18 )	14.54	99
15+18+18+22+22+35	1.62	1.94	1.94	2.37	2.37	3.77	14.01 ( 3.50 - 16.50 )	3.31 ( 0.76 - 5.18 )	14.52	99
15+18+18+22+22+42	1.53	1.84	1.84	2.25	2.25	4.29	14.00 ( 3.50 - 16.50 )	3.30 ( 0.76 - 5.17 )	14.48	99
15+18+18+22+22+50	1.45	1.74	1.74	2.12	2.12	4.83	14.00 ( 3.50 - 16.50 )	3.28 ( 0.76 - 5.15 )	14.42	99
15+18+18+22+22+60	1.35	1.63	1.63	1.99	1.99	5.42	14.01 ( 3.50 - 16.50 )	3.28 ( 0.76 - 5.15 )	14.40	99
15+18+18+22+22+71	1.27	1.52	1.52	1.86	1.86	5.99	14.02 ( 3.50 - 16.50 )	3.27 ( 0.76 - 5.15 )	14.37	99
15+18+18+22+25+25	1.71	2.05	2.05	2.50	2.85	2.85	14.01 ( 3.50 - 16.50 )	3.31 ( 0.76 - 5.18 )	14.52	99
15+18+18+22+25+35	1.58	1.89	1.89	2.32	2.63	3.68	13.99 ( 3.50 - 16.50 )	3.31 ( 0.76 - 5.18 )	14.52	99
15+18+18+22+25+42	1.50	1.80	1.80	2.20	2.50	4.20	14.00 ( 3.50 - 16.50 )	3.29 ( 0.76 - 5.16 )	14.47	99
15+18+18+22+25+50	1.42	1.70	1.70	2.08	2.36	4.73	13.99 ( 3.50 - 16.50 )	3.28 ( 0.76 - 5.15 )	14.41	99
15+18+18+22+25+60	1.33	1.59	1.59	1.95	2.22	5.32	14.00 ( 3.50 - 16.50 )	3.28 ( 0.76 - 5.15 )	14.39	99
15+18+18+22+25+71	1.24	1.49	1.49	1.82	2.07	5.88	13.99 ( 3.50 - 16.50 )	3.27 ( 0.76 - 5.15 )	14.37	99

# MXZ-6D122VA HEATING

Indoor units combination	Heating Capacity (kW)							Outdoor unit power consumption (kW)	Current (A)	Power factor (%)
	Unit A	Unit B	Unit C	Unit D	Unit E	Unit F	Total			
15+18+18+22+35+35	1.47	1.76	1.76	2.15	3.43	3.43	14.00 ( 3.50 - 16.50 )	3.30 ( 0.76 - 5.17 )	14.50	99
15+18+18+22+35+42	1.40	1.68	1.68	2.05	3.27	3.92	14.00 ( 3.50 - 16.50 )	3.29 ( 0.76 - 5.16 )	14.45	99
15+18+18+22+35+50	1.33	1.59	1.59	1.95	3.10	4.43	13.99 ( 3.50 - 16.50 )	3.28 ( 0.76 - 5.15 )	14.40	99
15+18+18+22+35+60	1.25	1.50	1.50	1.83	2.92	5.00	14.00 ( 3.50 - 16.50 )	3.27 ( 0.76 - 5.15 )	14.37	99
15+18+18+22+35+71	1.17	1.41	1.41	1.72	2.74	5.55	14.00 ( 3.50 - 16.50 )	3.27 ( 0.76 - 5.15 )	14.36	99
15+18+18+22+42+42	1.34	1.61	1.61	1.96	3.75	3.75	14.02 ( 3.50 - 16.50 )	3.28 ( 0.76 - 5.15 )	14.41	99
15+18+18+22+42+50	1.27	1.53	1.53	1.87	3.56	4.24	14.00 ( 3.50 - 16.50 )	3.27 ( 0.76 - 5.15 )	14.36	99
15+18+18+22+42+60	1.20	1.44	1.44	1.76	3.36	4.80	14.00 ( 3.50 - 16.50 )	3.26 ( 0.76 - 5.15 )	14.33	99
15+18+18+22+50+50	1.21	1.46	1.46	1.78	4.05	4.05	14.01 ( 3.50 - 16.50 )	3.26 ( 0.76 - 5.15 )	14.32	99
15+18+18+25+25+25	1.67	2.00	2.00	2.78	2.78	2.78	14.01 ( 3.50 - 16.50 )	3.31 ( 0.76 - 5.18 )	14.52	99
15+18+18+25+25+35	1.54	1.85	1.85	2.57	2.57	3.60	13.98 ( 3.50 - 16.50 )	3.30 ( 0.76 - 5.17 )	14.50	99
15+18+18+25+25+42	1.47	1.76	1.76	2.45	2.45	4.11	14.00 ( 3.50 - 16.50 )	3.29 ( 0.76 - 5.16 )	14.46	99
15+18+18+25+25+50	1.39	1.67	1.67	2.32	2.32	4.64	14.01 ( 3.50 - 16.50 )	3.28 ( 0.76 - 5.15 )	14.40	99
15+18+18+25+25+60	1.30	1.57	1.57	2.17	2.17	5.22	14.00 ( 3.50 - 16.50 )	3.27 ( 0.76 - 5.15 )	14.38	99
15+18+18+25+25+71	1.22	1.47	1.47	2.03	2.03	5.78	14.00 ( 3.50 - 16.50 )	3.27 ( 0.76 - 5.15 )	14.36	99
15+18+18+25+35+35	1.44	1.73	1.73	2.40	3.36	3.36	14.02 ( 3.50 - 16.50 )	3.30 ( 0.76 - 5.17 )	14.49	99
15+18+18+25+35+42	1.37	1.65	1.65	2.29	3.20	3.84	14.00 ( 3.50 - 16.50 )	3.29 ( 0.76 - 5.16 )	14.45	99
15+18+18+25+35+50	1.30	1.57	1.57	2.17	3.04	4.35	14.00 ( 3.50 - 16.50 )	3.28 ( 0.76 - 5.15 )	14.39	99
15+18+18+25+35+60	1.23	1.47	1.47	2.05	2.87	4.91	14.00 ( 3.50 - 16.50 )	3.27 ( 0.76 - 5.15 )	14.37	99
15+18+18+25+42+42	1.31	1.58	1.58	2.19	3.68	3.68	14.02 ( 3.50 - 16.50 )	3.28 ( 0.76 - 5.15 )	14.40	99
15+18+18+25+42+50	1.25	1.50	1.50	2.08	3.50	4.17	14.00 ( 3.50 - 16.50 )	3.27 ( 0.76 - 5.15 )	14.34	99
15+18+18+25+42+60	1.18	1.42	1.42	1.97	3.30	4.72	14.01 ( 3.50 - 16.50 )	3.26 ( 0.76 - 5.15 )	14.32	99
15+18+18+25+50+50	1.19	1.43	1.43	1.99	3.98	3.98	14.00 ( 3.50 - 16.50 )	3.26 ( 0.76 - 5.15 )	14.32	99
15+18+18+35+35+35	1.35	1.62	1.62	3.14	3.14	3.14	14.01 ( 3.50 - 16.50 )	3.30 ( 0.76 - 5.17 )	14.48	99
15+18+18+35+35+42	1.29	1.55	1.55	3.01	3.01	3.61	14.02 ( 3.50 - 16.50 )	3.29 ( 0.76 - 5.15 )	14.43	99
15+18+18+35+35+50	1.23	1.47	1.47	2.87	2.87	4.09	14.00 ( 3.50 - 16.50 )	3.27 ( 0.76 - 5.15 )	14.37	99
15+18+18+35+42+42	1.24	1.48	1.48	2.88	3.46	3.46	14.00 ( 3.50 - 16.50 )	3.28 ( 0.76 - 5.15 )	14.39	99
15+18+18+35+42+50	1.18	1.42	1.42	2.75	3.30	3.93	14.00 ( 3.50 - 16.50 )	3.26 ( 0.76 - 5.15 )	14.33	99
15+18+18+42+42+42	1.19	1.42	1.42	3.32	3.32	3.32	13.99 ( 3.50 - 16.50 )	3.27 ( 0.76 - 5.15 )	14.34	99
15+18+20+20+20+20	1.75	2.10	2.34	2.34	2.34	2.34	13.21 ( 3.40 - 16.00 )	3.51 ( 0.79 - 6.01 )	15.43	99
15+18+20+20+20+22	1.81	2.18	2.42	2.42	2.42	2.66	13.91 ( 3.50 - 16.50 )	3.36 ( 0.77 - 5.31 )	14.74	99
15+18+20+20+20+25	1.77	2.13	2.36	2.36	2.36	2.96	13.94 ( 3.50 - 16.50 )	3.35 ( 0.77 - 5.26 )	14.69	99
15+18+20+20+20+35	1.64	1.97	2.19	2.19	2.19	3.83	14.01 ( 3.50 - 16.50 )	3.33 ( 0.76 - 5.20 )	14.63	99
15+18+20+20+20+42	1.56	1.87	2.07	2.07	2.07	4.36	14.00 ( 3.50 - 16.50 )	3.32 ( 0.76 - 5.19 )	14.59	99
15+18+20+20+20+50	1.47	1.76	1.96	1.96	1.96	4.90	14.01 ( 3.50 - 16.50 )	3.31 ( 0.76 - 5.18 )	14.52	99
15+18+20+20+20+60	1.37	1.65	1.83	1.83	1.83	5.49	14.00 ( 3.50 - 16.50 )	3.30 ( 0.76 - 5.17 )	14.50	99

# MXZ-6D122VA HEATING

Indoor units combination	Heating Capacity (kW)							Outdoor unit power consumption (kW)	Current (A)	Power factor (%)
	Unit A	Unit B	Unit C	Unit D	Unit E	Unit F	Total			
15+18+20+20+20+71	1.28	1.54	1.71	1.71	1.71	6.06	14.01 ( 3.50 - 16.50 )	3.30 ( 0.76 - 5.17 )	14.48	99
15+18+20+20+22+22	1.79	2.15	2.39	2.39	2.63	2.63	13.98 ( 3.50 - 16.50 )	3.33 ( 0.76 - 5.20 )	14.63	99
15+18+20+20+22+25	1.75	2.10	2.33	2.33	2.57	2.92	14.00 ( 3.50 - 16.50 )	3.33 ( 0.76 - 5.20 )	14.61	99
15+18+20+20+22+35	1.62	1.94	2.15	2.15	2.37	3.77	14.00 ( 3.50 - 16.50 )	3.32 ( 0.76 - 5.20 )	14.60	99
15+18+20+20+22+42	1.53	1.84	2.04	2.04	2.25	4.29	13.99 ( 3.50 - 16.50 )	3.31 ( 0.76 - 5.18 )	14.55	99
15+18+20+20+22+50	1.45	1.74	1.93	1.93	2.12	4.83	14.00 ( 3.50 - 16.50 )	3.30 ( 0.76 - 5.17 )	14.49	99
15+18+20+20+22+60	1.35	1.63	1.81	1.81	1.99	5.42	14.01 ( 3.50 - 16.50 )	3.29 ( 0.76 - 5.16 )	14.47	99
15+18+20+20+22+71	1.27	1.52	1.69	1.69	1.86	5.99	14.02 ( 3.50 - 16.50 )	3.29 ( 0.76 - 5.16 )	14.45	99
15+18+20+20+25+25	1.71	2.05	2.28	2.28	2.85	2.85	14.02 ( 3.50 - 16.50 )	3.32 ( 0.76 - 5.20 )	14.60	99
15+18+20+20+25+35	1.58	1.89	2.11	2.11	2.63	3.68	14.00 ( 3.50 - 16.50 )	3.32 ( 0.76 - 5.19 )	14.59	99
15+18+20+20+25+42	1.50	1.80	2.00	2.00	2.50	4.20	14.00 ( 3.50 - 16.50 )	3.31 ( 0.76 - 5.18 )	14.54	99
15+18+20+20+25+50	1.42	1.70	1.89	1.89	2.36	4.73	13.99 ( 3.50 - 16.50 )	3.30 ( 0.76 - 5.17 )	14.48	99
15+18+20+20+25+60	1.33	1.59	1.77	1.77	2.22	5.32	14.00 ( 3.50 - 16.50 )	3.29 ( 0.76 - 5.16 )	14.46	99
15+18+20+20+25+71	1.24	1.49	1.66	1.66	2.07	5.88	14.00 ( 3.50 - 16.50 )	3.29 ( 0.76 - 5.15 )	14.43	99
15+18+20+20+35+35	1.47	1.76	1.96	1.96	3.43	3.43	14.01 ( 3.50 - 16.50 )	3.32 ( 0.76 - 5.19 )	14.57	99
15+18+20+20+35+42	1.40	1.68	1.87	1.87	3.27	3.92	14.01 ( 3.50 - 16.50 )	3.31 ( 0.76 - 5.18 )	14.52	99
15+18+20+20+35+50	1.33	1.59	1.77	1.77	3.10	4.43	13.99 ( 3.50 - 16.50 )	3.29 ( 0.76 - 5.16 )	14.47	99
15+18+20+20+35+60	1.25	1.50	1.67	1.67	2.92	5.00	14.01 ( 3.50 - 16.50 )	3.29 ( 0.76 - 5.16 )	14.45	99
15+18+20+20+35+71	1.17	1.41	1.56	1.56	2.74	5.55	13.99 ( 3.50 - 16.50 )	3.28 ( 0.76 - 5.15 )	14.42	99
15+18+20+20+42+42	1.34	1.61	1.78	1.78	3.75	3.75	14.01 ( 3.50 - 16.50 )	3.30 ( 0.76 - 5.17 )	14.48	99
15+18+20+20+42+50	1.27	1.53	1.70	1.70	3.56	4.24	14.00 ( 3.50 - 16.50 )	3.28 ( 0.76 - 5.15 )	14.42	99
15+18+20+20+42+60	1.20	1.44	1.60	1.60	3.36	4.80	14.00 ( 3.50 - 16.50 )	3.28 ( 0.76 - 5.15 )	14.40	99
15+18+20+20+50+50	1.21	1.46	1.62	1.62	4.05	4.05	14.01 ( 3.50 - 16.50 )	3.27 ( 0.76 - 5.15 )	14.37	99
15+18+20+22+22+22	1.76	2.12	2.35	2.59	2.59	2.59	14.00 ( 3.50 - 16.50 )	3.32 ( 0.76 - 5.19 )	14.58	99
15+18+20+22+22+25	1.72	2.07	2.30	2.52	2.52	2.87	14.00 ( 3.50 - 16.50 )	3.32 ( 0.76 - 5.19 )	14.57	99
15+18+20+22+22+35	1.59	1.91	2.12	2.33	2.33	3.71	13.99 ( 3.50 - 16.50 )	3.32 ( 0.76 - 5.19 )	14.56	99
15+18+20+22+22+42	1.51	1.81	2.01	2.22	2.22	4.23	14.00 ( 3.50 - 16.50 )	3.31 ( 0.76 - 5.18 )	14.52	99
15+18+20+22+22+50	1.43	1.71	1.90	2.10	2.10	4.76	14.00 ( 3.50 - 16.50 )	3.29 ( 0.76 - 5.16 )	14.45	99
15+18+20+22+22+60	1.34	1.61	1.78	1.96	1.96	5.35	14.00 ( 3.50 - 16.50 )	3.29 ( 0.76 - 5.15 )	14.43	99
15+18+20+22+22+71	1.25	1.50	1.67	1.83	1.83	5.92	14.00 ( 3.50 - 16.50 )	3.28 ( 0.76 - 5.15 )	14.41	99
15+18+20+22+25+25	1.68	2.02	2.24	2.46	2.80	2.80	14.00 ( 3.50 - 16.50 )	3.32 ( 0.76 - 5.19 )	14.56	99
15+18+20+22+25+35	1.56	1.87	2.07	2.28	2.59	3.63	14.00 ( 3.50 - 16.50 )	3.31 ( 0.76 - 5.18 )	14.55	99
15+18+20+22+25+42	1.48	1.77	1.97	2.17	2.46	4.14	13.99 ( 3.50 - 16.50 )	3.30 ( 0.76 - 5.17 )	14.50	99
15+18+20+22+25+50	1.40	1.68	1.87	2.05	2.33	4.67	14.00 ( 3.50 - 16.50 )	3.29 ( 0.76 - 5.16 )	14.45	99
15+18+20+22+25+60	1.31	1.58	1.75	1.93	2.19	5.25	14.01 ( 3.50 - 16.50 )	3.28 ( 0.76 - 5.15 )	14.42	99
15+18+20+22+25+71	1.23	1.47	1.64	1.80	2.05	5.81	14.00 ( 3.50 - 16.50 )	3.28 ( 0.76 - 5.15 )	14.40	99

# MXZ-6D122VA HEATING

Indoor units combination	Heating Capacity (kW)							Outdoor unit power consumption (kW)	Current (A)	Power factor (%)
	Unit A	Unit B	Unit C	Unit D	Unit E	Unit F	Total			
15+18+20+22+35+35	1.45	1.74	1.93	2.12	3.38	3.38	14.00 ( 3.50 - 16.50 )	3.31 ( 0.76 - 5.18 )	14.54	99
15+18+20+22+35+42	1.38	1.66	1.84	2.03	3.22	3.87	14.00 ( 3.50 - 16.50 )	3.30 ( 0.76 - 5.17 )	14.49	99
15+18+20+22+35+50	1.31	1.58	1.75	1.93	3.06	4.38	14.01 ( 3.50 - 16.50 )	3.29 ( 0.76 - 5.15 )	14.43	99
15+18+20+22+35+60	1.24	1.48	1.65	1.81	2.88	4.94	14.00 ( 3.50 - 16.50 )	3.28 ( 0.76 - 5.15 )	14.41	99
15+18+20+22+42+42	1.32	1.58	1.76	1.94	3.70	3.70	14.00 ( 3.50 - 16.50 )	3.29 ( 0.76 - 5.16 )	14.45	99
15+18+20+22+42+50	1.26	1.51	1.68	1.84	3.52	4.19	14.00 ( 3.50 - 16.50 )	3.28 ( 0.76 - 5.15 )	14.39	99
15+18+20+22+42+60	1.19	1.42	1.58	1.74	3.32	4.75	14.00 ( 3.50 - 16.50 )	3.27 ( 0.76 - 5.15 )	14.37	99
15+18+20+22+50+50	1.20	1.44	1.60	1.76	4.00	4.00	14.00 ( 3.50 - 16.50 )	3.26 ( 0.76 - 5.15 )	14.33	99
15+18+20+25+25+25	1.64	1.97	2.19	2.73	2.73	2.73	13.99 ( 3.50 - 16.50 )	3.31 ( 0.76 - 5.18 )	14.55	99
15+18+20+25+25+35	1.52	1.83	2.03	2.54	2.54	3.55	14.01 ( 3.50 - 16.50 )	3.31 ( 0.76 - 5.18 )	14.54	99
15+18+20+25+25+42	1.45	1.74	1.93	2.41	2.41	4.06	14.00 ( 3.50 - 16.50 )	3.30 ( 0.76 - 5.17 )	14.49	99
15+18+20+25+25+50	1.37	1.65	1.83	2.29	2.29	4.58	14.01 ( 3.50 - 16.50 )	3.29 ( 0.76 - 5.15 )	14.43	99
15+18+20+25+25+60	1.29	1.55	1.72	2.15	2.15	5.15	14.01 ( 3.50 - 16.50 )	3.28 ( 0.76 - 5.15 )	14.41	99
15+18+20+25+25+71	1.21	1.45	1.61	2.01	2.01	5.71	14.00 ( 3.50 - 16.50 )	3.28 ( 0.76 - 5.15 )	14.39	99
15+18+20+25+35+35	1.42	1.70	1.89	2.36	3.31	3.31	13.99 ( 3.50 - 16.50 )	3.31 ( 0.76 - 5.18 )	14.52	99
15+18+20+25+35+42	1.35	1.63	1.81	2.26	3.16	3.79	14.00 ( 3.50 - 16.50 )	3.30 ( 0.76 - 5.17 )	14.48	99
15+18+20+25+35+50	1.29	1.55	1.72	2.15	3.01	4.29	14.01 ( 3.50 - 16.50 )	3.28 ( 0.76 - 5.15 )	14.42	99
15+18+20+25+35+60	1.21	1.46	1.62	2.02	2.83	4.86	14.00 ( 3.50 - 16.50 )	3.28 ( 0.76 - 5.15 )	14.40	99
15+18+20+25+42+42	1.30	1.56	1.73	2.16	3.63	3.63	14.01 ( 3.50 - 16.50 )	3.29 ( 0.76 - 5.15 )	14.43	99
15+18+20+25+42+50	1.24	1.48	1.65	2.06	3.46	4.12	14.01 ( 3.50 - 16.50 )	3.27 ( 0.76 - 5.15 )	14.38	99
15+18+20+25+42+60	1.17	1.40	1.56	1.94	3.27	4.67	14.01 ( 3.50 - 16.50 )	3.27 ( 0.76 - 5.15 )	14.36	99
15+18+20+25+50+50	1.18	1.42	1.57	1.97	3.93	3.93	14.00 ( 3.50 - 16.50 )	3.26 ( 0.76 - 5.15 )	14.33	99
15+18+20+35+35+35	1.33	1.59	1.77	3.10	3.10	3.10	13.99 ( 3.50 - 16.50 )	3.31 ( 0.76 - 5.18 )	14.52	99
15+18+20+35+35+42	1.27	1.53	1.70	2.97	2.97	3.56	14.00 ( 3.50 - 16.50 )	3.29 ( 0.76 - 5.16 )	14.47	99
15+18+20+35+35+50	1.21	1.46	1.62	2.83	2.83	4.05	14.00 ( 3.50 - 16.50 )	3.28 ( 0.76 - 5.15 )	14.41	99
15+18+20+35+42+42	1.22	1.47	1.63	2.85	3.42	3.42	14.01 ( 3.50 - 16.50 )	3.28 ( 0.76 - 5.15 )	14.42	99
15+18+20+35+42+50	1.17	1.40	1.56	2.72	3.27	3.89	14.01 ( 3.50 - 16.50 )	3.27 ( 0.76 - 5.15 )	14.37	99
15+18+20+42+42+42	1.17	1.41	1.56	3.28	3.28	3.28	13.98 ( 3.50 - 16.50 )	3.27 ( 0.76 - 5.15 )	14.38	99
15+18+22+22+22+22	1.74	2.08	2.55	2.55	2.55	2.55	14.02 ( 3.50 - 16.50 )	3.31 ( 0.76 - 5.18 )	14.55	99
15+18+22+22+22+25	1.69	2.03	2.48	2.48	2.48	2.82	13.98 ( 3.50 - 16.50 )	3.31 ( 0.76 - 5.18 )	14.54	99
15+18+22+22+22+35	1.57	1.88	2.30	2.30	2.30	3.66	14.01 ( 3.50 - 16.50 )	3.31 ( 0.76 - 5.18 )	14.52	99
15+18+22+22+22+42	1.49	1.79	2.18	2.18	2.18	4.17	13.99 ( 3.50 - 16.50 )	3.30 ( 0.76 - 5.17 )	14.48	99
15+18+22+22+22+50	1.41	1.69	2.07	2.07	2.07	4.70	14.01 ( 3.50 - 16.50 )	3.28 ( 0.76 - 5.15 )	14.42	99
15+18+22+22+22+60	1.32	1.58	1.94	1.94	1.94	5.28	14.00 ( 3.50 - 16.50 )	3.28 ( 0.76 - 5.15 )	14.40	99
15+18+22+22+22+71	1.24	1.48	1.81	1.81	1.81	5.85	14.00 ( 3.50 - 16.50 )	3.27 ( 0.76 - 5.15 )	14.37	99
15+18+22+22+25+25	1.65	1.98	2.43	2.43	2.76	2.76	14.01 ( 3.50 - 16.50 )	3.31 ( 0.76 - 5.18 )	14.52	99

# MXZ-6D122VA HEATING

Indoor units combination	Heating Capacity (kW)							Outdoor unit power consumption (kW)	Current (A)	Power factor (%)
	Unit A	Unit B	Unit C	Unit D	Unit E	Unit F	Total			
15+18+22+22+25+35	1.53	1.84	2.25	2.25	2.55	3.58	14.00 ( 3.50 - 16.50 )	3.31 ( 0.76 - 5.18 )	14.52	99
15+18+22+22+25+42	1.46	1.75	2.14	2.14	2.43	4.08	14.00 ( 3.50 - 16.50 )	3.29 ( 0.76 - 5.16 )	14.47	99
15+18+22+22+25+50	1.38	1.66	2.03	2.03	2.30	4.61	14.01 ( 3.50 - 16.50 )	3.28 ( 0.76 - 5.15 )	14.41	99
15+18+22+22+25+60	1.30	1.56	1.90	1.90	2.16	5.19	14.01 ( 3.50 - 16.50 )	3.28 ( 0.76 - 5.15 )	14.39	99
15+18+22+22+25+71	1.21	1.46	1.78	1.78	2.02	5.75	14.00 ( 3.50 - 16.50 )	3.27 ( 0.76 - 5.15 )	14.37	99
15+18+22+22+35+35	1.43	1.71	2.10	2.10	3.33	3.33	14.00 ( 3.50 - 16.50 )	3.30 ( 0.76 - 5.17 )	14.50	99
15+18+22+22+35+42	1.36	1.64	2.00	2.00	3.18	3.82	14.00 ( 3.50 - 16.50 )	3.29 ( 0.76 - 5.16 )	14.45	99
15+18+22+22+35+50	1.30	1.56	1.90	1.90	3.02	4.32	14.00 ( 3.50 - 16.50 )	3.28 ( 0.76 - 5.15 )	14.40	99
15+18+22+22+35+60	1.22	1.47	1.79	1.79	2.85	4.88	14.00 ( 3.50 - 16.50 )	3.27 ( 0.76 - 5.15 )	14.37	99
15+18+22+22+42+42	1.30	1.57	1.91	1.91	3.65	3.65	13.99 ( 3.50 - 16.50 )	3.28 ( 0.76 - 5.15 )	14.41	99
15+18+22+22+42+50	1.24	1.49	1.82	1.82	3.48	4.14	13.99 ( 3.50 - 16.50 )	3.27 ( 0.76 - 5.15 )	14.36	99
15+18+22+22+42+60	1.17	1.41	1.72	1.72	3.28	4.69	13.99 ( 3.50 - 16.50 )	3.26 ( 0.76 - 5.15 )	14.33	99
15+18+22+22+50+50	1.19	1.42	1.74	1.74	3.95	3.95	13.99 ( 3.50 - 16.50 )	3.26 ( 0.76 - 5.15 )	14.32	99
15+18+22+25+25+25	1.62	1.94	2.37	2.69	2.69	2.69	14.00 ( 3.50 - 16.50 )	3.31 ( 0.76 - 5.18 )	14.52	99
15+18+22+25+25+35	1.50	1.80	2.20	2.50	2.50	3.50	14.00 ( 3.50 - 16.50 )	3.30 ( 0.76 - 5.17 )	14.50	99
15+18+22+25+25+42	1.43	1.71	2.10	2.38	2.38	4.00	14.00 ( 3.50 - 16.50 )	3.29 ( 0.76 - 5.16 )	14.46	99
15+18+22+25+25+50	1.35	1.63	1.99	2.26	2.26	4.52	14.01 ( 3.50 - 16.50 )	3.28 ( 0.76 - 5.15 )	14.40	99
15+18+22+25+25+60	1.27	1.53	1.87	2.12	2.12	5.09	14.00 ( 3.50 - 16.50 )	3.27 ( 0.76 - 5.15 )	14.38	99
15+18+22+25+25+71	1.19	1.43	1.75	1.99	1.99	5.65	14.00 ( 3.50 - 16.50 )	3.27 ( 0.76 - 5.15 )	14.36	99
15+18+22+25+35+35	1.40	1.68	2.05	2.33	3.27	3.27	14.00 ( 3.50 - 16.50 )	3.30 ( 0.76 - 5.17 )	14.49	99
15+18+22+25+35+42	1.34	1.61	1.96	2.23	3.12	3.75	14.01 ( 3.50 - 16.50 )	3.29 ( 0.76 - 5.16 )	14.45	99
15+18+22+25+35+50	1.27	1.53	1.87	2.12	2.97	4.24	14.00 ( 3.50 - 16.50 )	3.28 ( 0.76 - 5.15 )	14.39	99
15+18+22+25+35+60	1.20	1.44	1.76	2.00	2.80	4.80	14.00 ( 3.50 - 16.50 )	3.27 ( 0.76 - 5.15 )	14.37	99
15+18+22+25+42+42	1.28	1.54	1.88	2.13	3.59	3.59	14.01 ( 3.50 - 16.50 )	3.28 ( 0.76 - 5.15 )	14.40	99
15+18+22+25+42+50	1.22	1.47	1.79	2.03	3.42	4.07	14.00 ( 3.50 - 16.50 )	3.27 ( 0.76 - 5.15 )	14.34	99
15+18+22+25+50+50	1.17	1.40	1.71	1.94	3.89	3.89	14.00 ( 3.50 - 16.50 )	3.26 ( 0.76 - 5.15 )	14.32	99
15+18+22+35+35+35	1.31	1.58	1.93	3.06	3.06	3.06	14.00 ( 3.50 - 16.50 )	3.30 ( 0.76 - 5.17 )	14.48	99
15+18+22+35+35+42	1.26	1.51	1.84	2.93	2.93	3.52	13.99 ( 3.50 - 16.50 )	3.29 ( 0.76 - 5.15 )	14.43	99
15+18+22+35+35+50	1.20	1.44	1.76	2.80	2.80	4.00	14.00 ( 3.50 - 16.50 )	3.27 ( 0.76 - 5.15 )	14.37	99
15+18+22+35+42+42	1.21	1.45	1.77	2.82	3.38	3.38	14.01 ( 3.50 - 16.50 )	3.28 ( 0.76 - 5.15 )	14.39	99
15+18+25+25+25+25	1.58	1.89	2.63	2.63	2.63	2.63	13.99 ( 3.50 - 16.50 )	3.30 ( 0.76 - 5.17 )	14.50	99
15+18+25+25+25+35	1.47	1.76	2.45	2.45	2.45	3.43	14.01 ( 3.50 - 16.50 )	3.30 ( 0.76 - 5.17 )	14.50	99
15+18+25+25+25+42	1.40	1.68	2.33	2.33	2.33	3.92	13.99 ( 3.50 - 16.50 )	3.29 ( 0.76 - 5.16 )	14.45	99
15+18+25+25+25+50	1.33	1.59	2.22	2.22	2.22	4.43	14.01 ( 3.50 - 16.50 )	3.28 ( 0.76 - 5.15 )	14.39	99
15+18+25+25+25+60	1.25	1.50	2.08	2.08	2.08	5.00	13.99 ( 3.50 - 16.50 )	3.27 ( 0.76 - 5.15 )	14.37	99
15+18+25+25+25+71	1.17	1.41	1.96	1.96	1.96	5.55	14.01 ( 3.50 - 16.50 )	3.27 ( 0.76 - 5.15 )	14.35	99



# MXZ-6D122VA HEATING

Indoor units combination	Heating Capacity (kW)							Outdoor unit power consumption (kW)	Current (A)	Power factor (%)
	Unit A	Unit B	Unit C	Unit D	Unit E	Unit F	Total			
15+18+25+25+35+35	1.37	1.65	2.29	2.29	3.20	3.20	14.00 ( 3.50 - 16.50 )	3.30 ( 0.76 - 5.17 )	14.48	99
15+18+25+25+35+42	1.31	1.58	2.19	2.19	3.06	3.68	14.01 ( 3.50 - 16.50 )	3.29 ( 0.76 - 5.15 )	14.43	99
15+18+25+25+35+50	1.25	1.50	2.08	2.08	2.92	4.17	14.00 ( 3.50 - 16.50 )	3.27 ( 0.76 - 5.15 )	14.38	99
15+18+25+25+35+60	1.18	1.42	1.97	1.97	2.75	4.72	14.01 ( 3.50 - 16.50 )	3.27 ( 0.76 - 5.15 )	14.36	99
15+18+25+25+42+42	1.26	1.51	2.10	2.10	3.52	3.52	14.01 ( 3.50 - 16.50 )	3.28 ( 0.76 - 5.15 )	14.39	99
15+18+25+25+42+50	1.20	1.44	2.00	2.00	3.36	4.00	14.00 ( 3.50 - 16.50 )	3.26 ( 0.76 - 5.15 )	14.33	99
15+18+25+35+35+35	1.29	1.55	2.15	3.01	3.01	3.01	14.02 ( 3.50 - 16.50 )	3.29 ( 0.76 - 5.16 )	14.47	99
15+18+25+35+35+42	1.24	1.48	2.06	2.88	2.88	3.46	14.00 ( 3.50 - 16.50 )	3.28 ( 0.76 - 5.15 )	14.42	99
15+18+25+35+35+50	1.18	1.42	1.97	2.75	2.75	3.93	14.00 ( 3.50 - 16.50 )	3.27 ( 0.76 - 5.15 )	14.37	99
15+18+25+35+42+42	1.19	1.42	1.98	2.77	3.32	3.32	14.00 ( 3.50 - 16.50 )	3.27 ( 0.76 - 5.15 )	14.38	99
15+18+35+35+35+35	1.21	1.46	2.83	2.83	2.83	2.83	13.99 ( 3.50 - 16.50 )	3.29 ( 0.76 - 5.16 )	14.45	99
15+18+35+35+35+42	1.17	1.40	2.72	2.72	2.72	3.27	14.00 ( 3.50 - 16.50 )	3.28 ( 0.76 - 5.15 )	14.41	99
15+20+20+20+20+20	1.59	2.12	2.12	2.12	2.12	2.12	12.19 ( 3.40 - 16.00 )	3.06 ( 0.79 - 6.02 )	13.45	99
15+20+20+20+20+22	1.69	2.26	2.26	2.26	2.26	2.48	13.21 ( 3.40 - 16.00 )	3.51 ( 0.79 - 6.01 )	15.43	99
15+20+20+20+20+25	1.68	2.23	2.23	2.23	2.23	2.79	13.39 ( 3.50 - 16.20 )	3.47 ( 0.79 - 5.81 )	15.23	99
15+20+20+20+20+35	1.58	2.11	2.11	2.11	2.11	3.69	13.71 ( 3.50 - 16.40 )	3.40 ( 0.78 - 5.51 )	14.94	99
15+20+20+20+20+42	1.53	2.04	2.04	2.04	2.04	4.29	13.98 ( 3.50 - 16.50 )	3.33 ( 0.76 - 5.20 )	14.63	99
15+20+20+20+20+50	1.45	1.93	1.93	1.93	1.93	4.83	14.00 ( 3.50 - 16.50 )	3.32 ( 0.76 - 5.19 )	14.56	99
15+20+20+20+20+60	1.35	1.81	1.81	1.81	1.81	5.42	14.01 ( 3.50 - 16.50 )	3.31 ( 0.76 - 5.18 )	14.54	99
15+20+20+20+20+71	1.27	1.69	1.69	1.69	1.69	5.99	14.02 ( 3.50 - 16.50 )	3.31 ( 0.76 - 5.18 )	14.52	99
15+20+20+20+22+22	1.75	2.34	2.34	2.34	2.57	2.57	13.91 ( 3.50 - 16.50 )	3.36 ( 0.77 - 5.31 )	14.74	99
15+20+20+20+22+25	1.72	2.29	2.29	2.29	2.52	2.86	13.97 ( 3.50 - 16.50 )	3.35 ( 0.77 - 5.26 )	14.69	99
15+20+20+20+22+35	1.59	2.12	2.12	2.12	2.33	3.71	13.99 ( 3.50 - 16.50 )	3.33 ( 0.76 - 5.20 )	14.63	99
15+20+20+20+22+42	1.51	2.01	2.01	2.01	2.22	4.23	13.99 ( 3.50 - 16.50 )	3.32 ( 0.76 - 5.19 )	14.59	99
15+20+20+20+22+50	1.43	1.90	1.90	1.90	2.10	4.76	13.99 ( 3.50 - 16.50 )	3.31 ( 0.76 - 5.18 )	14.52	99
15+20+20+20+22+60	1.34	1.78	1.78	1.78	1.96	5.35	13.99 ( 3.50 - 16.50 )	3.30 ( 0.76 - 5.17 )	14.50	99
15+20+20+20+22+71	1.25	1.67	1.67	1.67	1.83	5.92	14.01 ( 3.50 - 16.50 )	3.30 ( 0.76 - 5.17 )	14.48	99
15+20+20+20+25+25	1.68	2.24	2.24	2.24	2.80	2.80	14.00 ( 3.50 - 16.50 )	3.33 ( 0.76 - 5.20 )	14.64	99
15+20+20+20+25+35	1.56	2.07	2.07	2.07	2.59	3.63	13.99 ( 3.50 - 16.50 )	3.33 ( 0.76 - 5.20 )	14.63	99
15+20+20+20+25+42	1.48	1.97	1.97	1.97	2.46	4.14	13.99 ( 3.50 - 16.50 )	3.32 ( 0.76 - 5.19 )	14.58	99
15+20+20+20+25+50	1.40	1.87	1.87	1.87	2.33	4.67	14.01 ( 3.50 - 16.50 )	3.31 ( 0.76 - 5.18 )	14.52	99
15+20+20+20+25+60	1.31	1.75	1.75	1.75	2.19	5.25	14.00 ( 3.50 - 16.50 )	3.30 ( 0.76 - 5.17 )	14.49	99
15+20+20+20+25+71	1.23	1.64	1.64	1.64	2.05	5.81	14.01 ( 3.50 - 16.50 )	3.29 ( 0.76 - 5.16 )	14.47	99
15+20+20+20+35+35	1.45	1.93	1.93	1.93	3.38	3.38	14.00 ( 3.50 - 16.50 )	3.33 ( 0.76 - 5.20 )	14.61	99
15+20+20+20+35+42	1.38	1.84	1.84	1.84	3.22	3.87	13.99 ( 3.50 - 16.50 )	3.32 ( 0.76 - 5.19 )	14.56	99
15+20+20+20+35+50	1.31	1.75	1.75	1.75	3.06	4.38	14.00 ( 3.50 - 16.50 )	3.30 ( 0.76 - 5.17 )	14.50	99

# MXZ-6D122VA HEATING

Indoor units combination	Heating Capacity (kW)							Outdoor unit power consumption (kW)	Current (A)	Power factor (%)
	Unit A	Unit B	Unit C	Unit D	Unit E	Unit F	Total			
15+20+20+20+35+60	1.24	1.65	1.65	1.65	2.88	4.94	14.01 ( 3.50 - 16.50 )	3.30 ( 0.76 - 5.17 )	14.48	99
15+20+20+20+42+42	1.32	1.76	1.76	1.76	3.70	3.70	14.00 ( 3.50 - 16.50 )	3.31 ( 0.76 - 5.18 )	14.52	99
15+20+20+20+42+50	1.26	1.68	1.68	1.68	3.52	4.19	14.01 ( 3.50 - 16.50 )	3.29 ( 0.76 - 5.16 )	14.46	99
15+20+20+20+42+60	1.19	1.58	1.58	1.58	3.32	4.75	14.00 ( 3.50 - 16.50 )	3.29 ( 0.76 - 5.15 )	14.43	99
15+20+20+20+50+50	1.20	1.60	1.60	1.60	4.00	4.00	14.00 ( 3.50 - 16.50 )	3.28 ( 0.76 - 5.15 )	14.40	99
15+20+20+22+22+22	1.74	2.31	2.31	2.55	2.55	2.55	14.01 ( 3.50 - 16.50 )	3.33 ( 0.76 - 5.20 )	14.63	99
15+20+20+22+22+25	1.69	2.26	2.26	2.48	2.48	2.82	13.99 ( 3.50 - 16.50 )	3.33 ( 0.76 - 5.20 )	14.61	99
15+20+20+22+22+35	1.57	2.09	2.09	2.30	2.30	3.66	14.01 ( 3.50 - 16.50 )	3.32 ( 0.76 - 5.20 )	14.60	99
15+20+20+22+22+42	1.49	1.99	1.99	2.18	2.18	4.17	14.00 ( 3.50 - 16.50 )	3.31 ( 0.76 - 5.18 )	14.55	99
15+20+20+22+22+50	1.41	1.88	1.88	2.07	2.07	4.70	14.01 ( 3.50 - 16.50 )	3.30 ( 0.76 - 5.17 )	14.49	99
15+20+20+22+22+60	1.32	1.76	1.76	1.94	1.94	5.28	14.00 ( 3.50 - 16.50 )	3.29 ( 0.76 - 5.16 )	14.47	99
15+20+20+22+22+71	1.24	1.65	1.65	1.81	1.81	5.85	14.01 ( 3.50 - 16.50 )	3.29 ( 0.76 - 5.16 )	14.45	99
15+20+20+22+25+25	1.65	2.20	2.20	2.43	2.76	2.76	14.00 ( 3.50 - 16.50 )	3.32 ( 0.76 - 5.20 )	14.60	99
15+20+20+22+25+35	1.53	2.04	2.04	2.25	2.55	3.58	13.99 ( 3.50 - 16.50 )	3.32 ( 0.76 - 5.19 )	14.59	99
15+20+20+22+25+42	1.46	1.94	1.94	2.14	2.43	4.08	13.99 ( 3.50 - 16.50 )	3.31 ( 0.76 - 5.18 )	14.54	99
15+20+20+22+25+50	1.38	1.84	1.84	2.03	2.30	4.61	14.00 ( 3.50 - 16.50 )	3.30 ( 0.76 - 5.17 )	14.48	99
15+20+20+22+25+60	1.30	1.73	1.73	1.90	2.16	5.19	14.01 ( 3.50 - 16.50 )	3.29 ( 0.76 - 5.16 )	14.46	99
15+20+20+22+25+71	1.21	1.62	1.62	1.78	2.02	5.75	14.00 ( 3.50 - 16.50 )	3.29 ( 0.76 - 5.15 )	14.43	99
15+20+20+22+35+35	1.43	1.90	1.90	2.10	3.33	3.33	13.99 ( 3.50 - 16.50 )	3.32 ( 0.76 - 5.19 )	14.57	99
15+20+20+22+35+42	1.36	1.82	1.82	2.00	3.18	3.82	14.00 ( 3.50 - 16.50 )	3.31 ( 0.76 - 5.18 )	14.52	99
15+20+20+22+35+50	1.30	1.73	1.73	1.90	3.02	4.32	14.00 ( 3.50 - 16.50 )	3.29 ( 0.76 - 5.16 )	14.47	99
15+20+20+22+35+60	1.22	1.63	1.63	1.79	2.85	4.88	14.00 ( 3.50 - 16.50 )	3.29 ( 0.76 - 5.16 )	14.45	99
15+20+20+22+42+42	1.30	1.74	1.74	1.91	3.65	3.65	13.99 ( 3.50 - 16.50 )	3.30 ( 0.76 - 5.17 )	14.48	99
15+20+20+22+42+50	1.24	1.66	1.66	1.82	3.48	4.14	14.00 ( 3.50 - 16.50 )	3.28 ( 0.76 - 5.15 )	14.42	99
15+20+20+22+42+60	1.17	1.56	1.56	1.72	3.28	4.69	13.98 ( 3.50 - 16.50 )	3.28 ( 0.76 - 5.15 )	14.40	99
15+20+20+22+50+50	1.19	1.58	1.58	1.74	3.95	3.95	13.99 ( 3.50 - 16.50 )	3.27 ( 0.76 - 5.15 )	14.37	99
15+20+20+25+25+25	1.62	2.15	2.15	2.69	2.69	2.69	13.99 ( 3.50 - 16.50 )	3.32 ( 0.76 - 5.19 )	14.60	99
15+20+20+25+25+35	1.50	2.00	2.00	2.50	2.50	3.50	14.00 ( 3.50 - 16.50 )	3.32 ( 0.76 - 5.19 )	14.58	99
15+20+20+25+25+42	1.43	1.90	1.90	2.38	2.38	4.00	13.99 ( 3.50 - 16.50 )	3.31 ( 0.76 - 5.18 )	14.53	99
15+20+20+25+25+50	1.35	1.81	1.81	2.26	2.26	4.52	14.01 ( 3.50 - 16.50 )	3.29 ( 0.76 - 5.16 )	14.47	99
15+20+20+25+25+60	1.27	1.70	1.70	2.12	2.12	5.09	14.00 ( 3.50 - 16.50 )	3.29 ( 0.76 - 5.16 )	14.45	99
15+20+20+25+25+71	1.19	1.59	1.59	1.99	1.99	5.65	14.00 ( 3.50 - 16.50 )	3.28 ( 0.76 - 5.15 )	14.43	99
15+20+20+25+35+35	1.40	1.87	1.87	2.33	3.27	3.27	14.01 ( 3.50 - 16.50 )	3.32 ( 0.76 - 5.19 )	14.56	99
15+20+20+25+35+42	1.34	1.78	1.78	2.23	3.12	3.75	14.00 ( 3.50 - 16.50 )	3.31 ( 0.76 - 5.18 )	14.52	99
15+20+20+25+35+50	1.27	1.70	1.70	2.12	2.97	4.24	14.00 ( 3.50 - 16.50 )	3.29 ( 0.76 - 5.16 )	14.46	99
15+20+20+25+35+60	1.20	1.60	1.60	2.00	2.80	4.80	14.00 ( 3.50 - 16.50 )	3.29 ( 0.76 - 5.15 )	14.43	99

# MXZ-6D122VA HEATING

Indoor units combination	Heating Capacity (kW)							Outdoor unit power consumption (kW)	Current (A)	Power factor (%)
	Unit A	Unit B	Unit C	Unit D	Unit E	Unit F	Total			
15+20+20+25+42+42	1.28	1.71	1.71	2.13	3.59	3.59	14.01 ( 3.50 - 16.50 )	3.29 ( 0.76 - 5.16 )	14.47	99
15+20+20+25+42+50	1.22	1.63	1.63	2.03	3.42	4.07	14.00 ( 3.50 - 16.50 )	3.28 ( 0.76 - 5.15 )	14.41	99
15+20+20+25+50+50	1.17	1.56	1.56	1.94	3.89	3.89	14.01 ( 3.50 - 16.50 )	3.27 ( 0.76 - 5.15 )	14.36	99
15+20+20+35+35+35	1.31	1.75	1.75	3.06	3.06	3.06	13.99 ( 3.50 - 16.50 )	3.31 ( 0.76 - 5.18 )	14.55	99
15+20+20+35+35+42	1.26	1.68	1.68	2.93	2.93	3.52	14.00 ( 3.50 - 16.50 )	3.30 ( 0.76 - 5.17 )	14.50	99
15+20+20+35+35+50	1.20	1.60	1.60	2.80	2.80	4.00	14.00 ( 3.50 - 16.50 )	3.29 ( 0.76 - 5.16 )	14.45	99
15+20+20+35+42+42	1.21	1.61	1.61	2.82	3.38	3.38	14.01 ( 3.50 - 16.50 )	3.29 ( 0.76 - 5.16 )	14.46	99
15+20+22+22+22+22	1.71	2.28	2.50	2.50	2.50	2.50	13.99 ( 3.50 - 16.50 )	3.32 ( 0.76 - 5.19 )	14.58	99
15+20+22+22+22+25	1.67	2.22	2.44	2.44	2.44	2.78	13.99 ( 3.50 - 16.50 )	3.32 ( 0.76 - 5.19 )	14.57	99
15+20+22+22+22+35	1.54	2.06	2.26	2.26	2.26	3.60	13.98 ( 3.50 - 16.50 )	3.32 ( 0.76 - 5.19 )	14.56	99
15+20+22+22+22+42	1.47	1.96	2.15	2.15	2.15	4.11	13.99 ( 3.50 - 16.50 )	3.31 ( 0.76 - 5.18 )	14.52	99
15+20+22+22+22+50	1.39	1.85	2.04	2.04	2.04	4.64	14.00 ( 3.50 - 16.50 )	3.29 ( 0.76 - 5.16 )	14.45	99
15+20+22+22+22+60	1.30	1.74	1.91	1.91	1.91	5.22	13.99 ( 3.50 - 16.50 )	3.29 ( 0.76 - 5.15 )	14.43	99
15+20+22+22+22+71	1.22	1.63	1.79	1.79	1.79	5.78	14.00 ( 3.50 - 16.50 )	3.28 ( 0.76 - 5.15 )	14.41	99
15+20+22+22+25+25	1.63	2.17	2.39	2.39	2.71	2.71	14.00 ( 3.50 - 16.50 )	3.32 ( 0.76 - 5.19 )	14.56	99
15+20+22+22+25+35	1.51	2.01	2.22	2.22	2.52	3.53	14.01 ( 3.50 - 16.50 )	3.31 ( 0.76 - 5.18 )	14.55	99
15+20+22+22+25+42	1.44	1.92	2.11	2.11	2.40	4.03	14.01 ( 3.50 - 16.50 )	3.30 ( 0.76 - 5.17 )	14.50	99
15+20+22+22+25+50	1.36	1.82	2.00	2.00	2.27	4.55	14.00 ( 3.50 - 16.50 )	3.29 ( 0.76 - 5.16 )	14.45	99
15+20+22+22+25+60	1.28	1.71	1.88	1.88	2.13	5.12	14.00 ( 3.50 - 16.50 )	3.28 ( 0.76 - 5.15 )	14.42	99
15+20+22+22+25+71	1.20	1.60	1.76	1.76	2.00	5.68	14.00 ( 3.50 - 16.50 )	3.28 ( 0.76 - 5.15 )	14.40	99
15+20+22+22+35+35	1.41	1.88	2.07	2.07	3.29	3.29	14.01 ( 3.50 - 16.50 )	3.31 ( 0.76 - 5.18 )	14.54	99
15+20+22+22+35+42	1.35	1.79	1.97	1.97	3.14	3.77	13.99 ( 3.50 - 16.50 )	3.30 ( 0.76 - 5.17 )	14.49	99
15+20+22+22+35+50	1.28	1.71	1.88	1.88	2.99	4.27	14.01 ( 3.50 - 16.50 )	3.29 ( 0.76 - 5.15 )	14.43	99
15+20+22+22+35+60	1.21	1.61	1.77	1.77	2.82	4.83	14.01 ( 3.50 - 16.50 )	3.28 ( 0.76 - 5.15 )	14.41	99
15+20+22+22+42+42	1.29	1.72	1.89	1.89	3.61	3.61	14.01 ( 3.50 - 16.50 )	3.29 ( 0.76 - 5.16 )	14.45	99
15+20+22+22+42+50	1.23	1.64	1.80	1.80	3.44	4.09	14.00 ( 3.50 - 16.50 )	3.28 ( 0.76 - 5.15 )	14.39	99
15+20+22+22+50+50	1.17	1.56	1.72	1.72	3.91	3.91	13.99 ( 3.50 - 16.50 )	3.26 ( 0.76 - 5.15 )	14.33	99
15+20+22+25+25+25	1.59	2.12	2.33	2.65	2.65	2.65	13.99 ( 3.50 - 16.50 )	3.31 ( 0.76 - 5.18 )	14.55	99
15+20+22+25+25+35	1.48	1.97	2.17	2.46	2.46	3.45	13.99 ( 3.50 - 16.50 )	3.31 ( 0.76 - 5.18 )	14.54	99
15+20+22+25+25+42	1.41	1.88	2.07	2.35	2.35	3.95	14.01 ( 3.50 - 16.50 )	3.30 ( 0.76 - 5.17 )	14.49	99
15+20+22+25+25+50	1.34	1.78	1.96	2.23	2.23	4.46	14.00 ( 3.50 - 16.50 )	3.29 ( 0.76 - 5.15 )	14.43	99
15+20+22+25+25+60	1.26	1.68	1.84	2.10	2.10	5.03	14.01 ( 3.50 - 16.50 )	3.28 ( 0.76 - 5.15 )	14.41	99
15+20+22+25+25+71	1.18	1.57	1.73	1.97	1.97	5.58	14.00 ( 3.50 - 16.50 )	3.28 ( 0.76 - 5.15 )	14.39	99
15+20+22+25+35+35	1.38	1.84	2.03	2.30	3.22	3.22	13.99 ( 3.50 - 16.50 )	3.31 ( 0.76 - 5.18 )	14.52	99
15+20+22+25+35+42	1.32	1.76	1.94	2.20	3.08	3.70	14.00 ( 3.50 - 16.50 )	3.30 ( 0.76 - 5.17 )	14.48	99
15+20+22+25+35+50	1.26	1.68	1.84	2.10	2.93	4.19	14.00 ( 3.50 - 16.50 )	3.28 ( 0.76 - 5.15 )	14.42	99

# MXZ-6D122VA HEATING

Indoor units combination	Heating Capacity (kW)							Outdoor unit power consumption (kW)	Current (A)	Power factor (%)
	Unit A	Unit B	Unit C	Unit D	Unit E	Unit F	Total			
15+20+22+25+35+60	1.19	1.58	1.74	1.98	2.77	4.75	14.01 ( 3.50 - 16.50 )	3.28 ( 0.76 - 5.15 )	14.40	99
15+20+22+25+42+42	1.27	1.69	1.86	2.11	3.54	3.54	14.01 ( 3.50 - 16.50 )	3.29 ( 0.76 - 5.15 )	14.43	99
15+20+22+25+42+50	1.21	1.61	1.77	2.01	3.38	4.02	14.00 ( 3.50 - 16.50 )	3.27 ( 0.76 - 5.15 )	14.38	99
15+20+22+35+35+35	1.30	1.73	1.90	3.02	3.02	3.02	13.99 ( 3.50 - 16.50 )	3.31 ( 0.76 - 5.18 )	14.52	99
15+20+22+35+35+42	1.24	1.66	1.82	2.90	2.90	3.48	14.00 ( 3.50 - 16.50 )	3.29 ( 0.76 - 5.16 )	14.47	99
15+20+22+35+35+50	1.19	1.58	1.74	2.77	2.77	3.95	14.00 ( 3.50 - 16.50 )	3.28 ( 0.76 - 5.15 )	14.41	99
15+20+22+35+42+42	1.19	1.59	1.75	2.78	3.34	3.34	13.99 ( 3.50 - 16.50 )	3.28 ( 0.76 - 5.15 )	14.42	99
15+20+25+25+25+25	1.56	2.07	2.59	2.59	2.59	2.59	13.99 ( 3.50 - 16.50 )	3.31 ( 0.76 - 5.18 )	14.54	99
15+20+25+25+25+35	1.45	1.93	2.41	2.41	2.41	3.38	13.99 ( 3.50 - 16.50 )	3.31 ( 0.76 - 5.18 )	14.53	99
15+20+25+25+25+42	1.38	1.84	2.30	2.30	2.30	3.87	13.99 ( 3.50 - 16.50 )	3.30 ( 0.76 - 5.17 )	14.48	99
15+20+25+25+25+50	1.31	1.75	2.19	2.19	2.19	4.38	14.01 ( 3.50 - 16.50 )	3.28 ( 0.76 - 5.15 )	14.43	99
15+20+25+25+25+60	1.24	1.65	2.06	2.06	2.06	4.94	14.01 ( 3.50 - 16.50 )	3.28 ( 0.76 - 5.15 )	14.40	99
15+20+25+25+35+35	1.35	1.81	2.26	2.26	3.16	3.16	14.00 ( 3.50 - 16.50 )	3.31 ( 0.76 - 5.18 )	14.52	99
15+20+25+25+35+42	1.30	1.73	2.16	2.16	3.02	3.63	14.00 ( 3.50 - 16.50 )	3.29 ( 0.76 - 5.16 )	14.47	99
15+20+25+25+35+50	1.24	1.65	2.06	2.06	2.88	4.12	14.01 ( 3.50 - 16.50 )	3.28 ( 0.76 - 5.15 )	14.41	99
15+20+25+25+35+60	1.17	1.56	1.94	1.94	2.72	4.67	14.00 ( 3.50 - 16.50 )	3.28 ( 0.76 - 5.15 )	14.39	99
15+20+25+25+42+42	1.24	1.66	2.07	2.07	3.48	3.48	14.00 ( 3.50 - 16.50 )	3.28 ( 0.76 - 5.15 )	14.43	99
15+20+25+25+42+50	1.19	1.58	1.98	1.98	3.32	3.95	14.00 ( 3.50 - 16.50 )	3.27 ( 0.76 - 5.15 )	14.37	99
15+20+25+35+35+35	1.27	1.70	2.12	2.97	2.97	2.97	14.00 ( 3.50 - 16.50 )	3.30 ( 0.76 - 5.17 )	14.50	99
15+20+25+35+35+42	1.22	1.63	2.03	2.85	2.85	3.42	14.00 ( 3.50 - 16.50 )	3.29 ( 0.76 - 5.16 )	14.46	99
15+20+25+35+35+50	1.17	1.56	1.94	2.72	2.72	3.89	14.00 ( 3.50 - 16.50 )	3.28 ( 0.76 - 5.15 )	14.40	99
15+20+25+35+42+42	1.17	1.56	1.96	2.74	3.28	3.28	13.99 ( 3.50 - 16.50 )	3.28 ( 0.76 - 5.15 )	14.41	99
15+20+35+35+35+35	1.20	1.60	2.80	2.80	2.80	2.80	14.00 ( 3.50 - 16.50 )	3.30 ( 0.76 - 5.17 )	14.49	99
15+22+22+22+22+22	1.68	2.46	2.46	2.46	2.46	2.46	13.98 ( 3.50 - 16.50 )	3.31 ( 0.76 - 5.18 )	14.55	99
15+22+22+22+22+25	1.64	2.41	2.41	2.41	2.41	2.73	14.01 ( 3.50 - 16.50 )	3.31 ( 0.76 - 5.18 )	14.54	99
15+22+22+22+22+35	1.52	2.23	2.23	2.23	2.23	3.55	13.99 ( 3.50 - 16.50 )	3.31 ( 0.76 - 5.18 )	14.52	99
15+22+22+22+22+42	1.45	2.12	2.12	2.12	2.12	4.06	13.99 ( 3.50 - 16.50 )	3.30 ( 0.76 - 5.17 )	14.48	99
15+22+22+22+22+50	1.37	2.01	2.01	2.01	2.01	4.58	13.99 ( 3.50 - 16.50 )	3.28 ( 0.76 - 5.15 )	14.42	99
15+22+22+22+22+60	1.29	1.89	1.89	1.89	1.89	5.15	14.00 ( 3.50 - 16.50 )	3.28 ( 0.76 - 5.15 )	14.40	99
15+22+22+22+22+71	1.21	1.77	1.77	1.77	1.77	5.71	14.00 ( 3.50 - 16.50 )	3.27 ( 0.76 - 5.15 )	14.37	99
15+22+22+22+25+25	1.60	2.35	2.35	2.35	2.67	2.67	13.99 ( 3.50 - 16.50 )	3.31 ( 0.76 - 5.18 )	14.52	99
15+22+22+22+25+35	1.49	2.18	2.18	2.18	2.48	3.48	13.99 ( 3.50 - 16.50 )	3.31 ( 0.76 - 5.18 )	14.52	99
15+22+22+22+25+42	1.42	2.08	2.08	2.08	2.36	3.97	13.99 ( 3.50 - 16.50 )	3.29 ( 0.76 - 5.16 )	14.47	99
15+22+22+22+25+50	1.35	1.97	1.97	1.97	2.24	4.49	13.99 ( 3.50 - 16.50 )	3.28 ( 0.76 - 5.15 )	14.41	99
15+22+22+22+25+60	1.27	1.86	1.86	1.86	2.11	5.06	14.02 ( 3.50 - 16.50 )	3.28 ( 0.76 - 5.15 )	14.39	99
15+22+22+22+25+71	1.19	1.74	1.74	1.74	1.98	5.62	14.01 ( 3.50 - 16.50 )	3.27 ( 0.76 - 5.15 )	14.37	99

# MXZ-6D122VA HEATING

Indoor units combination	Heating Capacity (kW)						Outdoor unit power consumption (kW)	Current (A)	Power factor (%)	
	Unit A	Unit B	Unit C	Unit D	Unit E	Unit F				Total
15+22+22+22+35+35	1.39	2.04	2.04	2.04	3.25	3.25	14.01 ( 3.50 - 16.50 )	3.30 ( 0.76 - 5.17 )	14.50	99
15+22+22+22+35+42	1.33	1.95	1.95	1.95	3.10	3.72	14.00 ( 3.50 - 16.50 )	3.29 ( 0.76 - 5.16 )	14.45	99
15+22+22+22+35+50	1.27	1.86	1.86	1.86	2.95	4.22	14.02 ( 3.50 - 16.50 )	3.28 ( 0.76 - 5.15 )	14.40	99
15+22+22+22+35+60	1.19	1.75	1.75	1.75	2.78	4.77	13.99 ( 3.50 - 16.50 )	3.27 ( 0.76 - 5.15 )	14.37	99
15+22+22+22+42+42	1.27	1.87	1.87	1.87	3.56	3.56	14.00 ( 3.50 - 16.50 )	3.28 ( 0.76 - 5.15 )	14.41	99
15+22+22+22+42+50	1.21	1.78	1.78	1.78	3.40	4.05	14.00 ( 3.50 - 16.50 )	3.27 ( 0.76 - 5.15 )	14.36	99
15+22+22+25+25+25	1.57	2.30	2.30	2.61	2.61	2.61	14.00 ( 3.50 - 16.50 )	3.31 ( 0.76 - 5.18 )	14.52	99
15+22+22+25+25+35	1.46	2.14	2.14	2.43	2.43	3.40	14.00 ( 3.50 - 16.50 )	3.30 ( 0.76 - 5.17 )	14.50	99
15+22+22+25+25+42	1.39	2.04	2.04	2.32	2.32	3.89	14.00 ( 3.50 - 16.50 )	3.29 ( 0.76 - 5.16 )	14.46	99
15+22+22+25+25+50	1.32	1.94	1.94	2.20	2.20	4.40	14.00 ( 3.50 - 16.50 )	3.28 ( 0.76 - 5.15 )	14.40	99
15+22+22+25+25+60	1.24	1.82	1.82	2.07	2.07	4.97	13.99 ( 3.50 - 16.50 )	3.27 ( 0.76 - 5.15 )	14.38	99
15+22+22+25+25+71	1.17	1.71	1.71	1.94	1.94	5.52	13.99 ( 3.50 - 16.50 )	3.27 ( 0.76 - 5.15 )	14.36	99
15+22+22+25+35+35	1.36	2.00	2.00	2.27	3.18	3.18	13.99 ( 3.50 - 16.50 )	3.30 ( 0.76 - 5.17 )	14.49	99
15+22+22+25+35+42	1.30	1.91	1.91	2.17	3.04	3.65	13.98 ( 3.50 - 16.50 )	3.29 ( 0.76 - 5.16 )	14.45	99
15+22+22+25+35+50	1.24	1.82	1.82	2.07	2.90	4.14	13.99 ( 3.50 - 16.50 )	3.28 ( 0.76 - 5.15 )	14.39	99
15+22+22+25+35+60	1.17	1.72	1.72	1.96	2.74	4.69	14.00 ( 3.50 - 16.50 )	3.27 ( 0.76 - 5.15 )	14.37	99
15+22+22+25+42+42	1.25	1.83	1.83	2.08	3.50	3.50	13.99 ( 3.50 - 16.50 )	3.28 ( 0.76 - 5.15 )	14.40	99
15+22+22+25+42+50	1.19	1.75	1.75	1.99	3.34	3.98	14.00 ( 3.50 - 16.50 )	3.27 ( 0.76 - 5.15 )	14.34	99
15+22+22+35+35+35	1.28	1.88	1.88	2.99	2.99	2.99	14.01 ( 3.50 - 16.50 )	3.30 ( 0.76 - 5.17 )	14.48	99
15+22+22+35+35+42	1.23	1.80	1.80	2.87	2.87	3.44	14.01 ( 3.50 - 16.50 )	3.29 ( 0.76 - 5.15 )	14.43	99
15+22+22+35+35+50	1.17	1.72	1.72	2.74	2.74	3.91	14.00 ( 3.50 - 16.50 )	3.27 ( 0.76 - 5.15 )	14.37	99
15+22+22+35+42+42	1.18	1.73	1.73	2.75	3.30	3.30	13.99 ( 3.50 - 16.50 )	3.28 ( 0.76 - 5.15 )	14.39	99
15+22+25+25+25+25	1.53	2.25	2.55	2.55	2.55	2.55	13.98 ( 3.50 - 16.50 )	3.30 ( 0.76 - 5.17 )	14.50	99
15+22+25+25+25+35	1.43	2.10	2.38	2.38	2.38	3.33	14.00 ( 3.50 - 16.50 )	3.30 ( 0.76 - 5.17 )	14.50	99
15+22+25+25+25+42	1.36	2.00	2.27	2.27	2.27	3.82	13.99 ( 3.50 - 16.50 )	3.29 ( 0.76 - 5.16 )	14.45	99
15+22+25+25+25+50	1.30	1.90	2.16	2.16	2.16	4.32	14.00 ( 3.50 - 16.50 )	3.28 ( 0.76 - 5.15 )	14.39	99
15+22+25+25+25+60	1.22	1.79	2.03	2.03	2.03	4.88	13.98 ( 3.50 - 16.50 )	3.27 ( 0.76 - 5.15 )	14.37	99
15+22+25+25+35+35	1.34	1.96	2.23	2.23	3.12	3.12	14.00 ( 3.50 - 16.50 )	3.30 ( 0.76 - 5.17 )	14.48	99
15+22+25+25+35+42	1.28	1.88	2.13	2.13	2.99	3.59	14.00 ( 3.50 - 16.50 )	3.29 ( 0.76 - 5.15 )	14.43	99
15+22+25+25+35+50	1.22	1.79	2.03	2.03	2.85	4.07	13.99 ( 3.50 - 16.50 )	3.27 ( 0.76 - 5.15 )	14.38	99
15+22+25+25+42+42	1.23	1.80	2.05	2.05	3.44	3.44	14.01 ( 3.50 - 16.50 )	3.28 ( 0.76 - 5.15 )	14.39	99
15+22+25+25+42+50	1.17	1.72	1.96	1.96	3.28	3.91	14.00 ( 3.50 - 16.50 )	3.26 ( 0.76 - 5.15 )	14.33	99
15+22+25+35+35+35	1.26	1.84	2.10	2.93	2.93	2.93	13.99 ( 3.50 - 16.50 )	3.29 ( 0.76 - 5.16 )	14.47	99
15+22+25+35+35+42	1.21	1.77	2.01	2.82	2.82	3.38	14.01 ( 3.50 - 16.50 )	3.28 ( 0.76 - 5.15 )	14.42	99
15+22+35+35+35+35	1.19	1.74	2.77	2.77	2.77	2.77	14.01 ( 3.50 - 16.50 )	3.29 ( 0.76 - 5.16 )	14.45	99
15+25+25+25+25+25	1.50	2.50	2.50	2.50	2.50	2.50	14.00 ( 3.50 - 16.50 )	3.30 ( 0.76 - 5.17 )	14.50	99

# MXZ-6D122VA HEATING

Indoor units combination	Heating Capacity (kW)							Outdoor unit power consumption (kW)	Current (A)	Power factor (%)
	Unit A	Unit B	Unit C	Unit D	Unit E	Unit F	Total			
15+25+25+25+25+35	1.40	2.33	2.33	2.33	2.33	3.27	13.99 ( 3.50 - 16.50 )	3.30 ( 0.76 - 5.17 )	14.48	99
15+25+25+25+25+42	1.34	2.23	2.23	2.23	2.23	3.75	14.01 ( 3.50 - 16.50 )	3.29 ( 0.76 - 5.16 )	14.44	99
15+25+25+25+25+50	1.27	2.12	2.12	2.12	2.12	4.24	13.99 ( 3.50 - 16.50 )	3.27 ( 0.76 - 5.15 )	14.38	99
15+25+25+25+25+60	1.20	2.00	2.00	2.00	2.00	4.80	14.00 ( 3.50 - 16.50 )	3.27 ( 0.76 - 5.15 )	14.36	99
15+25+25+25+35+35	1.31	2.19	2.19	2.19	3.06	3.06	14.00 ( 3.50 - 16.50 )	3.29 ( 0.76 - 5.16 )	14.47	99
15+25+25+25+35+42	1.26	2.10	2.10	2.10	2.93	3.52	14.01 ( 3.50 - 16.50 )	3.28 ( 0.76 - 5.15 )	14.43	99
15+25+25+25+35+50	1.20	2.00	2.00	2.00	2.80	4.00	14.00 ( 3.50 - 16.50 )	3.27 ( 0.76 - 5.15 )	14.37	99
15+25+25+25+42+42	1.21	2.01	2.01	2.01	3.38	3.38	14.00 ( 3.50 - 16.50 )	3.28 ( 0.76 - 5.15 )	14.39	99
15+25+25+35+35+35	1.24	2.06	2.06	2.88	2.88	2.88	14.00 ( 3.50 - 16.50 )	3.29 ( 0.76 - 5.16 )	14.46	99
15+25+25+35+35+42	1.19	1.98	1.98	2.77	2.77	3.32	14.01 ( 3.50 - 16.50 )	3.28 ( 0.76 - 5.15 )	14.41	99
15+25+35+35+35+35	1.17	1.94	2.72	2.72	2.72	2.72	13.99 ( 3.50 - 16.50 )	3.29 ( 0.76 - 5.16 )	14.45	99
18+18+18+18+18+18	2.33	2.33	2.33	2.33	2.33	2.33	13.98 ( 3.50 - 16.50 )	3.30 ( 0.76 - 5.17 )	14.49	99
18+18+18+18+18+20	2.29	2.29	2.29	2.29	2.29	2.55	14.00 ( 3.50 - 16.50 )	3.31 ( 0.76 - 5.18 )	14.53	99
18+18+18+18+18+22	2.25	2.25	2.25	2.25	2.25	2.75	14.00 ( 3.50 - 16.50 )	3.30 ( 0.76 - 5.17 )	14.49	99
18+18+18+18+18+25	2.19	2.19	2.19	2.19	2.19	3.04	13.99 ( 3.50 - 16.50 )	3.30 ( 0.76 - 5.17 )	14.48	99
18+18+18+18+18+35	2.02	2.02	2.02	2.02	2.02	3.92	14.02 ( 3.50 - 16.50 )	3.29 ( 0.76 - 5.16 )	14.47	99
18+18+18+18+18+42	1.91	1.91	1.91	1.91	1.91	4.45	14.00 ( 3.50 - 16.50 )	3.28 ( 0.76 - 5.15 )	14.43	99
18+18+18+18+18+50	1.80	1.80	1.80	1.80	1.80	5.00	14.00 ( 3.50 - 16.50 )	3.27 ( 0.76 - 5.15 )	14.37	99
18+18+18+18+18+60	1.68	1.68	1.68	1.68	1.68	5.60	14.00 ( 3.50 - 16.50 )	3.27 ( 0.76 - 5.15 )	14.35	99
18+18+18+18+18+71	1.57	1.57	1.57	1.57	1.57	6.17	14.02 ( 3.50 - 16.50 )	3.26 ( 0.76 - 5.15 )	14.33	99
18+18+18+18+20+20	2.25	2.25	2.25	2.25	2.50	2.50	14.00 ( 3.50 - 16.50 )	3.32 ( 0.76 - 5.19 )	14.57	99
18+18+18+18+20+22	2.21	2.21	2.21	2.21	2.46	2.70	14.00 ( 3.50 - 16.50 )	3.31 ( 0.76 - 5.18 )	14.53	99
18+18+18+18+20+25	2.15	2.15	2.15	2.15	2.39	2.99	13.98 ( 3.50 - 16.50 )	3.31 ( 0.76 - 5.18 )	14.52	99
18+18+18+18+20+35	1.98	1.98	1.98	1.98	2.20	3.86	13.98 ( 3.50 - 16.50 )	3.30 ( 0.76 - 5.17 )	14.50	99
18+18+18+18+20+42	1.88	1.88	1.88	1.88	2.09	4.39	14.00 ( 3.50 - 16.50 )	3.29 ( 0.76 - 5.16 )	14.47	99
18+18+18+18+20+50	1.77	1.77	1.77	1.77	1.97	4.93	13.98 ( 3.50 - 16.50 )	3.28 ( 0.76 - 5.15 )	14.41	99
18+18+18+18+20+60	1.66	1.66	1.66	1.66	1.84	5.53	14.01 ( 3.50 - 16.50 )	3.28 ( 0.76 - 5.15 )	14.39	99
18+18+18+18+20+71	1.55	1.55	1.55	1.55	1.72	6.10	14.02 ( 3.50 - 16.50 )	3.27 ( 0.76 - 5.15 )	14.36	99
18+18+18+18+22+22	2.17	2.17	2.17	2.17	2.66	2.66	14.00 ( 3.50 - 16.50 )	3.30 ( 0.76 - 5.17 )	14.49	99
18+18+18+18+22+25	2.12	2.12	2.12	2.12	2.59	2.94	14.01 ( 3.50 - 16.50 )	3.30 ( 0.76 - 5.17 )	14.48	99
18+18+18+18+22+35	1.95	1.95	1.95	1.95	2.39	3.80	13.99 ( 3.50 - 16.50 )	3.29 ( 0.76 - 5.16 )	14.47	99
18+18+18+18+22+42	1.85	1.85	1.85	1.85	2.26	4.32	13.98 ( 3.50 - 16.50 )	3.28 ( 0.76 - 5.15 )	14.43	99
18+18+18+18+22+50	1.75	1.75	1.75	1.75	2.14	4.86	14.00 ( 3.50 - 16.50 )	3.27 ( 0.76 - 5.15 )	14.37	99
18+18+18+18+22+60	1.64	1.64	1.64	1.64	2.00	5.45	14.01 ( 3.50 - 16.50 )	3.27 ( 0.76 - 5.15 )	14.35	99
18+18+18+18+22+71	1.53	1.53	1.53	1.53	1.87	6.02	14.01 ( 3.50 - 16.50 )	3.26 ( 0.76 - 5.15 )	14.33	99
18+18+18+18+25+25	2.07	2.07	2.07	2.07	2.87	2.87	14.02 ( 3.50 - 16.50 )	3.30 ( 0.76 - 5.16 )	14.47	99

# MXZ-6D122VA HEATING

Indoor units combination	Heating Capacity (kW)							Outdoor unit power consumption (kW)	Current (A)	Power factor (%)
	Unit A	Unit B	Unit C	Unit D	Unit E	Unit F	Total			
18+18+18+18+25+35	1.91	1.91	1.91	1.91	2.65	3.71	14.00 ( 3.50 - 16.50 )	3.29 ( 0.76 - 5.16 )	14.46	99
18+18+18+18+25+42	1.81	1.81	1.81	1.81	2.52	4.23	13.99 ( 3.50 - 16.50 )	3.28 ( 0.76 - 5.15 )	14.41	99
18+18+18+18+25+50	1.71	1.71	1.71	1.71	2.38	4.76	13.98 ( 3.50 - 16.50 )	3.27 ( 0.76 - 5.15 )	14.36	99
18+18+18+18+25+60	1.61	1.61	1.61	1.61	2.23	5.35	14.02 ( 3.50 - 16.50 )	3.26 ( 0.76 - 5.15 )	14.34	99
18+18+18+18+25+71	1.50	1.50	1.50	1.50	2.08	5.92	14.00 ( 3.50 - 16.50 )	3.26 ( 0.76 - 5.15 )	14.32	99
18+18+18+18+35+35	1.77	1.77	1.77	1.77	3.45	3.45	13.98 ( 3.50 - 16.50 )	3.29 ( 0.76 - 5.16 )	14.45	99
18+18+18+18+35+42	1.69	1.69	1.69	1.69	3.29	3.95	14.00 ( 3.50 - 16.50 )	3.28 ( 0.76 - 5.15 )	14.40	99
18+18+18+18+35+50	1.61	1.61	1.61	1.61	3.12	4.46	14.02 ( 3.50 - 16.50 )	3.27 ( 0.76 - 5.15 )	14.35	99
18+18+18+18+35+60	1.51	1.51	1.51	1.51	2.93	5.03	14.00 ( 3.50 - 16.50 )	3.26 ( 0.76 - 5.15 )	14.33	99
18+18+18+18+35+71	1.42	1.42	1.42	1.42	2.75	5.58	14.01 ( 3.50 - 16.50 )	3.26 ( 0.76 - 5.15 )	14.32	99
18+18+18+18+42+42	1.62	1.62	1.62	1.62	3.77	3.77	14.02 ( 3.50 - 16.50 )	3.27 ( 0.76 - 5.15 )	14.36	99
18+18+18+18+42+50	1.54	1.54	1.54	1.54	3.59	4.27	14.02 ( 3.50 - 16.50 )	3.26 ( 0.76 - 5.15 )	14.32	99
18+18+18+18+42+60	1.45	1.45	1.45	1.45	3.38	4.83	14.01 ( 3.50 - 16.50 )	3.26 ( 0.76 - 5.15 )	14.32	99
18+18+18+18+50+50	1.47	1.47	1.47	1.47	4.07	4.07	14.02 ( 3.50 - 16.50 )	3.26 ( 0.76 - 5.15 )	14.32	99
18+18+18+20+20+20	2.21	2.21	2.21	2.46	2.46	2.46	14.01 ( 3.50 - 16.50 )	3.33 ( 0.76 - 5.20 )	14.61	99
18+18+18+20+20+22	2.17	2.17	2.17	2.41	2.41	2.66	13.99 ( 3.50 - 16.50 )	3.32 ( 0.76 - 5.19 )	14.57	99
18+18+18+20+20+25	2.12	2.12	2.12	2.35	2.35	2.94	14.00 ( 3.50 - 16.50 )	3.31 ( 0.76 - 5.18 )	14.56	99
18+18+18+20+20+35	1.95	1.95	1.95	2.17	2.17	3.80	13.99 ( 3.50 - 16.50 )	3.31 ( 0.76 - 5.18 )	14.55	99
18+18+18+20+20+42	1.85	1.85	1.85	2.06	2.06	4.32	13.99 ( 3.50 - 16.50 )	3.30 ( 0.76 - 5.17 )	14.50	99
18+18+18+20+20+50	1.75	1.75	1.75	1.94	1.94	4.86	13.99 ( 3.50 - 16.50 )	3.29 ( 0.76 - 5.16 )	14.44	99
18+18+18+20+20+60	1.64	1.64	1.64	1.82	1.82	5.45	14.01 ( 3.50 - 16.50 )	3.28 ( 0.76 - 5.15 )	14.42	99
18+18+18+20+20+71	1.53	1.53	1.53	1.70	1.70	6.02	14.01 ( 3.50 - 16.50 )	3.28 ( 0.76 - 5.15 )	14.39	99
18+18+18+20+22+22	2.14	2.14	2.14	2.37	2.61	2.61	14.01 ( 3.50 - 16.50 )	3.31 ( 0.76 - 5.18 )	14.53	99
18+18+18+20+22+25	2.08	2.08	2.08	2.31	2.55	2.89	13.99 ( 3.50 - 16.50 )	3.31 ( 0.76 - 5.18 )	14.52	99
18+18+18+20+22+35	1.92	1.92	1.92	2.14	2.35	3.74	13.99 ( 3.50 - 16.50 )	3.30 ( 0.76 - 5.17 )	14.50	99
18+18+18+20+22+42	1.83	1.83	1.83	2.03	2.23	4.26	14.01 ( 3.50 - 16.50 )	3.29 ( 0.76 - 5.16 )	14.47	99
18+18+18+20+22+50	1.73	1.73	1.73	1.92	2.11	4.79	14.01 ( 3.50 - 16.50 )	3.28 ( 0.76 - 5.15 )	14.41	99
18+18+18+20+22+60	1.62	1.62	1.62	1.79	1.97	5.38	14.00 ( 3.50 - 16.50 )	3.28 ( 0.76 - 5.15 )	14.39	99
18+18+18+20+22+71	1.51	1.51	1.51	1.68	1.84	5.95	14.00 ( 3.50 - 16.50 )	3.27 ( 0.76 - 5.15 )	14.36	99
18+18+18+20+25+25	2.03	2.03	2.03	2.26	2.82	2.82	13.99 ( 3.50 - 16.50 )	3.31 ( 0.76 - 5.18 )	14.52	99
18+18+18+20+25+35	1.88	1.88	1.88	2.09	2.61	3.66	14.00 ( 3.50 - 16.50 )	3.30 ( 0.76 - 5.17 )	14.50	99
18+18+18+20+25+42	1.79	1.79	1.79	1.99	2.48	4.17	14.01 ( 3.50 - 16.50 )	3.29 ( 0.76 - 5.16 )	14.45	99
18+18+18+20+25+50	1.69	1.69	1.69	1.88	2.35	4.70	14.00 ( 3.50 - 16.50 )	3.28 ( 0.76 - 5.15 )	14.39	99
18+18+18+20+25+60	1.58	1.58	1.58	1.76	2.20	5.28	13.98 ( 3.50 - 16.50 )	3.27 ( 0.76 - 5.15 )	14.37	99
18+18+18+20+25+71	1.48	1.48	1.48	1.65	2.06	5.85	14.00 ( 3.50 - 16.50 )	3.27 ( 0.76 - 5.15 )	14.36	99
18+18+18+20+35+35	1.75	1.75	1.75	1.94	3.40	3.40	13.99 ( 3.50 - 16.50 )	3.30 ( 0.76 - 5.17 )	14.48	99

# MXZ-6D122VA HEATING

Indoor units combination	Heating Capacity (kW)							Outdoor unit power consumption (kW)	Current (A)	Power factor (%)
	Unit A	Unit B	Unit C	Unit D	Unit E	Unit F	Total			
18+18+18+20+35+42	1.67	1.67	1.67	1.85	3.25	3.89	14.00 ( 3.50 - 16.50 )	3.29 ( 0.76 - 5.16 )	14.44	99
18+18+18+20+35+50	1.58	1.58	1.58	1.76	3.08	4.40	13.98 ( 3.50 - 16.50 )	3.28 ( 0.76 - 5.15 )	14.39	99
18+18+18+20+35+60	1.49	1.49	1.49	1.66	2.90	4.97	14.00 ( 3.50 - 16.50 )	3.27 ( 0.76 - 5.15 )	14.36	99
18+18+18+20+35+71	1.40	1.40	1.40	1.56	2.72	5.52	14.00 ( 3.50 - 16.50 )	3.27 ( 0.76 - 5.15 )	14.34	99
18+18+18+20+42+42	1.59	1.59	1.59	1.77	3.72	3.72	13.98 ( 3.50 - 16.50 )	3.28 ( 0.76 - 5.15 )	14.39	99
18+18+18+20+42+50	1.52	1.52	1.52	1.69	3.54	4.22	14.01 ( 3.50 - 16.50 )	3.27 ( 0.76 - 5.15 )	14.34	99
18+18+18+20+42+60	1.43	1.43	1.43	1.59	3.34	4.77	13.99 ( 3.50 - 16.50 )	3.26 ( 0.76 - 5.15 )	14.32	99
18+18+18+20+50+50	1.45	1.45	1.45	1.61	4.02	4.02	14.00 ( 3.50 - 16.50 )	3.26 ( 0.76 - 5.15 )	14.32	99
18+18+18+22+22+22	2.10	2.10	2.10	2.57	2.57	2.57	14.01 ( 3.50 - 16.50 )	3.30 ( 0.76 - 5.17 )	14.49	99
18+18+18+22+22+25	2.05	2.05	2.05	2.50	2.50	2.85	14.00 ( 3.50 - 16.50 )	3.30 ( 0.76 - 5.17 )	14.48	99
18+18+18+22+22+35	1.89	1.89	1.89	2.32	2.32	3.68	13.99 ( 3.50 - 16.50 )	3.29 ( 0.76 - 5.16 )	14.47	99
18+18+18+22+22+42	1.80	1.80	1.80	2.20	2.20	4.20	14.00 ( 3.50 - 16.50 )	3.28 ( 0.76 - 5.15 )	14.43	99
18+18+18+22+22+50	1.70	1.70	1.70	2.08	2.08	4.73	13.99 ( 3.50 - 16.50 )	3.27 ( 0.76 - 5.15 )	14.37	99
18+18+18+22+22+60	1.59	1.59	1.59	1.95	1.95	5.32	13.99 ( 3.50 - 16.50 )	3.27 ( 0.76 - 5.15 )	14.35	99
18+18+18+22+22+71	1.49	1.49	1.49	1.82	1.82	5.88	13.99 ( 3.50 - 16.50 )	3.26 ( 0.76 - 5.15 )	14.33	99
18+18+18+22+25+25	2.00	2.00	2.00	2.44	2.78	2.78	14.00 ( 3.50 - 16.50 )	3.30 ( 0.76 - 5.16 )	14.47	99
18+18+18+22+25+35	1.85	1.85	1.85	2.26	2.57	3.60	13.98 ( 3.50 - 16.50 )	3.29 ( 0.76 - 5.16 )	14.46	99
18+18+18+22+25+42	1.76	1.76	1.76	2.15	2.45	4.11	13.99 ( 3.50 - 16.50 )	3.28 ( 0.76 - 5.15 )	14.41	99
18+18+18+22+25+50	1.67	1.67	1.67	2.04	2.32	4.64	14.01 ( 3.50 - 16.50 )	3.27 ( 0.76 - 5.15 )	14.36	99
18+18+18+22+25+60	1.57	1.57	1.57	1.91	2.17	5.22	14.01 ( 3.50 - 16.50 )	3.26 ( 0.76 - 5.15 )	14.34	99
18+18+18+22+25+71	1.47	1.47	1.47	1.79	2.03	5.78	14.01 ( 3.50 - 16.50 )	3.26 ( 0.76 - 5.15 )	14.32	99
18+18+18+22+35+35	1.73	1.73	1.73	2.11	3.36	3.36	14.02 ( 3.50 - 16.50 )	3.29 ( 0.76 - 5.16 )	14.45	99
18+18+18+22+35+42	1.65	1.65	1.65	2.01	3.20	3.84	14.00 ( 3.50 - 16.50 )	3.28 ( 0.76 - 5.15 )	14.40	99
18+18+18+22+35+50	1.57	1.57	1.57	1.91	3.04	4.35	14.01 ( 3.50 - 16.50 )	3.27 ( 0.76 - 5.15 )	14.35	99
18+18+18+22+35+60	1.47	1.47	1.47	1.80	2.87	4.91	13.99 ( 3.50 - 16.50 )	3.26 ( 0.76 - 5.15 )	14.33	99
18+18+18+22+42+42	1.58	1.58	1.58	1.93	3.68	3.68	14.03 ( 3.50 - 16.50 )	3.27 ( 0.76 - 5.15 )	14.36	99
18+18+18+22+42+50	1.50	1.50	1.50	1.83	3.50	4.17	14.00 ( 3.50 - 16.50 )	3.26 ( 0.76 - 5.15 )	14.32	99
18+18+18+22+42+60	1.42	1.42	1.42	1.73	3.30	4.72	14.01 ( 3.50 - 16.50 )	3.26 ( 0.76 - 5.15 )	14.32	99
18+18+18+22+50+50	1.43	1.43	1.43	1.75	3.98	3.98	14.00 ( 3.50 - 16.50 )	3.26 ( 0.76 - 5.15 )	14.32	99
18+18+18+25+25+25	1.95	1.95	1.95	2.71	2.71	2.71	13.98 ( 3.50 - 16.50 )	3.29 ( 0.76 - 5.16 )	14.47	99
18+18+18+25+25+35	1.81	1.81	1.81	2.52	2.52	3.53	14.00 ( 3.50 - 16.50 )	3.29 ( 0.76 - 5.16 )	14.45	99
18+18+18+25+25+42	1.73	1.73	1.73	2.40	2.40	4.03	14.02 ( 3.50 - 16.50 )	3.28 ( 0.76 - 5.15 )	14.41	99
18+18+18+25+25+50	1.64	1.64	1.64	2.27	2.27	4.55	14.01 ( 3.50 - 16.50 )	3.27 ( 0.76 - 5.15 )	14.36	99
18+18+18+25+25+60	1.54	1.54	1.54	2.13	2.13	5.12	14.00 ( 3.50 - 16.50 )	3.26 ( 0.76 - 5.15 )	14.33	99
18+18+18+25+25+71	1.44	1.44	1.44	2.00	2.00	5.68	14.00 ( 3.50 - 16.50 )	3.26 ( 0.76 - 5.15 )	14.32	99
18+18+18+25+35+35	1.69	1.69	1.69	2.35	3.29	3.29	14.00 ( 3.50 - 16.50 )	3.29 ( 0.76 - 5.16 )	14.44	99



# MXZ-6D122VA HEATING

Indoor units combination	Heating Capacity (kW)							Outdoor unit power consumption (kW)	Current (A)	Power factor (%)
	Unit A	Unit B	Unit C	Unit D	Unit E	Unit F	Total			
18+18+18+25+35+42	1.62	1.62	1.62	2.24	3.14	3.77	14.01 ( 3.50 - 16.50 )	3.28 ( 0.76 - 5.15 )	14.39	99
18+18+18+25+35+50	1.54	1.54	1.54	2.13	2.99	4.27	14.01 ( 3.50 - 16.50 )	3.27 ( 0.76 - 5.15 )	14.34	99
18+18+18+25+35+60	1.45	1.45	1.45	2.01	2.82	4.83	14.01 ( 3.50 - 16.50 )	3.26 ( 0.76 - 5.15 )	14.32	99
18+18+18+25+42+42	1.55	1.55	1.55	2.15	3.61	3.61	14.02 ( 3.50 - 16.50 )	3.27 ( 0.76 - 5.15 )	14.36	99
18+18+18+25+42+50	1.47	1.47	1.47	2.05	3.44	4.09	13.99 ( 3.50 - 16.50 )	3.26 ( 0.76 - 5.15 )	14.32	99
18+18+18+25+50+50	1.41	1.41	1.41	1.96	3.91	3.91	14.01 ( 3.50 - 16.50 )	3.26 ( 0.76 - 5.15 )	14.32	99
18+18+18+35+35+35	1.58	1.58	1.58	3.08	3.08	3.08	13.98 ( 3.50 - 16.50 )	3.28 ( 0.76 - 5.15 )	14.43	99
18+18+18+35+35+42	1.52	1.52	1.52	2.95	2.95	3.54	14.00 ( 3.50 - 16.50 )	3.28 ( 0.76 - 5.15 )	14.39	99
18+18+18+35+35+50	1.45	1.45	1.45	2.82	2.82	4.02	14.01 ( 3.50 - 16.50 )	3.26 ( 0.76 - 5.15 )	14.33	99
18+18+18+35+42+42	1.46	1.46	1.46	2.83	3.40	3.40	14.01 ( 3.50 - 16.50 )	3.27 ( 0.76 - 5.15 )	14.34	99
18+18+18+42+42+42	1.40	1.40	1.40	3.27	3.27	3.27	14.01 ( 3.50 - 16.50 )	3.26 ( 0.76 - 5.15 )	14.32	99
18+18+20+20+20+20	2.17	2.17	2.41	2.41	2.41	2.41	13.98 ( 3.50 - 16.50 )	3.34 ( 0.77 - 5.23 )	14.66	99
18+18+20+20+20+22	2.14	2.14	2.37	2.37	2.37	2.61	14.00 ( 3.50 - 16.50 )	3.33 ( 0.76 - 5.20 )	14.60	99
18+18+20+20+20+25	2.08	2.08	2.31	2.31	2.31	2.89	13.98 ( 3.50 - 16.50 )	3.32 ( 0.76 - 5.20 )	14.60	99
18+18+20+20+20+35	1.92	1.92	2.14	2.14	2.14	3.74	14.00 ( 3.50 - 16.50 )	3.32 ( 0.76 - 5.19 )	14.58	99
18+18+20+20+20+42	1.83	1.83	2.03	2.03	2.03	4.26	14.01 ( 3.50 - 16.50 )	3.31 ( 0.76 - 5.18 )	14.53	99
18+18+20+20+20+50	1.73	1.73	1.92	1.92	1.92	4.79	14.01 ( 3.50 - 16.50 )	3.30 ( 0.76 - 5.17 )	14.48	99
18+18+20+20+20+60	1.62	1.62	1.79	1.79	1.79	5.38	13.99 ( 3.50 - 16.50 )	3.29 ( 0.76 - 5.16 )	14.45	99
18+18+20+20+20+71	1.51	1.51	1.68	1.68	1.68	5.95	14.01 ( 3.50 - 16.50 )	3.29 ( 0.76 - 5.15 )	14.43	99
18+18+20+20+22+22	2.10	2.10	2.33	2.33	2.57	2.57	14.00 ( 3.50 - 16.50 )	3.32 ( 0.76 - 5.19 )	14.57	99
18+18+20+20+22+25	2.05	2.05	2.28	2.28	2.50	2.85	14.01 ( 3.50 - 16.50 )	3.31 ( 0.76 - 5.18 )	14.56	99
18+18+20+20+22+35	1.89	1.89	2.11	2.11	2.32	3.68	14.00 ( 3.50 - 16.50 )	3.31 ( 0.76 - 5.18 )	14.54	99
18+18+20+20+22+42	1.80	1.80	2.00	2.00	2.20	4.20	14.00 ( 3.50 - 16.50 )	3.30 ( 0.76 - 5.17 )	14.50	99
18+18+20+20+22+50	1.70	1.70	1.89	1.89	2.08	4.73	13.99 ( 3.50 - 16.50 )	3.29 ( 0.76 - 5.16 )	14.44	99
18+18+20+20+22+60	1.59	1.59	1.77	1.77	1.95	5.32	13.99 ( 3.50 - 16.50 )	3.28 ( 0.76 - 5.15 )	14.41	99
18+18+20+20+22+71	1.49	1.49	1.66	1.66	1.82	5.88	14.00 ( 3.50 - 16.50 )	3.28 ( 0.76 - 5.15 )	14.39	99
18+18+20+20+25+25	2.00	2.00	2.22	2.22	2.78	2.78	14.00 ( 3.50 - 16.50 )	3.31 ( 0.76 - 5.18 )	14.55	99
18+18+20+20+25+35	1.85	1.85	2.06	2.06	2.57	3.60	13.99 ( 3.50 - 16.50 )	3.31 ( 0.76 - 5.18 )	14.53	99
18+18+20+20+25+42	1.76	1.76	1.96	1.96	2.45	4.11	14.00 ( 3.50 - 16.50 )	3.30 ( 0.76 - 5.17 )	14.48	99
18+18+20+20+25+50	1.67	1.67	1.85	1.85	2.32	4.64	14.00 ( 3.50 - 16.50 )	3.28 ( 0.76 - 5.15 )	14.43	99
18+18+20+20+25+60	1.57	1.57	1.74	1.74	2.17	5.22	14.01 ( 3.50 - 16.50 )	3.28 ( 0.76 - 5.15 )	14.41	99
18+18+20+20+25+71	1.47	1.47	1.63	1.63	2.03	5.78	14.01 ( 3.50 - 16.50 )	3.28 ( 0.76 - 5.15 )	14.39	99
18+18+20+20+35+35	1.73	1.73	1.92	1.92	3.36	3.36	14.02 ( 3.50 - 16.50 )	3.31 ( 0.76 - 5.18 )	14.52	99
18+18+20+20+35+42	1.65	1.65	1.83	1.83	3.20	3.84	14.00 ( 3.50 - 16.50 )	3.30 ( 0.76 - 5.17 )	14.48	99
18+18+20+20+35+50	1.57	1.57	1.74	1.74	3.04	4.35	14.01 ( 3.50 - 16.50 )	3.28 ( 0.76 - 5.15 )	14.42	99
18+18+20+20+35+60	1.47	1.47	1.64	1.64	2.87	4.91	14.00 ( 3.50 - 16.50 )	3.28 ( 0.76 - 5.15 )	14.39	99

# MXZ-6D122VA HEATING

Indoor units combination	Heating Capacity (kW)							Outdoor unit power consumption (kW)	Current (A)	Power factor (%)
	Unit A	Unit B	Unit C	Unit D	Unit E	Unit F	Total			
18+18+20+20+42+42	1.58	1.58	1.75	1.75	3.68	3.68	14.02 ( 3.50 - 16.50 )	3.29 ( 0.76 - 5.15 )	14.43	99
18+18+20+20+42+50	1.50	1.50	1.67	1.67	3.50	4.17	14.01 ( 3.50 - 16.50 )	3.27 ( 0.76 - 5.15 )	14.37	99
18+18+20+20+42+60	1.42	1.42	1.57	1.57	3.30	4.72	14.00 ( 3.50 - 16.50 )	3.27 ( 0.76 - 5.15 )	14.36	99
18+18+20+20+50+50	1.43	1.43	1.59	1.59	3.98	3.98	14.00 ( 3.50 - 16.50 )	3.26 ( 0.76 - 5.15 )	14.32	99
18+18+20+22+22+22	2.07	2.07	2.30	2.52	2.52	2.52	14.00 ( 3.50 - 16.50 )	3.31 ( 0.76 - 5.18 )	14.53	99
18+18+20+22+22+25	2.02	2.02	2.24	2.46	2.46	2.80	14.00 ( 3.50 - 16.50 )	3.31 ( 0.76 - 5.18 )	14.52	99
18+18+20+22+22+35	1.87	1.87	2.07	2.28	2.28	3.63	14.00 ( 3.50 - 16.50 )	3.30 ( 0.76 - 5.17 )	14.50	99
18+18+20+22+22+42	1.77	1.77	1.97	2.17	2.17	4.14	13.99 ( 3.50 - 16.50 )	3.29 ( 0.76 - 5.16 )	14.46	99
18+18+20+22+22+50	1.68	1.68	1.87	2.05	2.05	4.67	14.00 ( 3.50 - 16.50 )	3.28 ( 0.76 - 5.15 )	14.40	99
18+18+20+22+22+60	1.58	1.58	1.75	1.93	1.93	5.25	14.02 ( 3.50 - 16.50 )	3.27 ( 0.76 - 5.15 )	14.38	99
18+18+20+22+22+71	1.47	1.47	1.64	1.80	1.80	5.81	13.99 ( 3.50 - 16.50 )	3.27 ( 0.76 - 5.15 )	14.36	99
18+18+20+22+25+25	1.97	1.97	2.19	2.41	2.73	2.73	14.00 ( 3.50 - 16.50 )	3.31 ( 0.76 - 5.18 )	14.52	99
18+18+20+22+25+35	1.83	1.83	2.03	2.23	2.54	3.55	14.01 ( 3.50 - 16.50 )	3.30 ( 0.76 - 5.17 )	14.50	99
18+18+20+22+25+42	1.74	1.74	1.93	2.12	2.41	4.06	14.00 ( 3.50 - 16.50 )	3.29 ( 0.76 - 5.16 )	14.45	99
18+18+20+22+25+50	1.65	1.65	1.83	2.01	2.29	4.58	14.01 ( 3.50 - 16.50 )	3.28 ( 0.76 - 5.15 )	14.39	99
18+18+20+22+25+60	1.55	1.55	1.72	1.89	2.15	5.15	14.01 ( 3.50 - 16.50 )	3.27 ( 0.76 - 5.15 )	14.37	99
18+18+20+22+25+71	1.45	1.45	1.61	1.77	2.01	5.71	14.00 ( 3.50 - 16.50 )	3.27 ( 0.76 - 5.15 )	14.36	99
18+18+20+22+35+35	1.70	1.70	1.89	2.08	3.31	3.31	13.99 ( 3.50 - 16.50 )	3.30 ( 0.76 - 5.17 )	14.48	99
18+18+20+22+35+42	1.63	1.63	1.81	1.99	3.16	3.79	14.01 ( 3.50 - 16.50 )	3.29 ( 0.76 - 5.16 )	14.44	99
18+18+20+22+35+50	1.55	1.55	1.72	1.89	3.01	4.29	14.01 ( 3.50 - 16.50 )	3.27 ( 0.76 - 5.15 )	14.38	99
18+18+20+22+35+60	1.46	1.46	1.62	1.78	2.83	4.86	14.01 ( 3.50 - 16.50 )	3.27 ( 0.76 - 5.15 )	14.36	99
18+18+20+22+42+42	1.56	1.56	1.73	1.90	3.63	3.63	14.01 ( 3.50 - 16.50 )	3.28 ( 0.76 - 5.15 )	14.39	99
18+18+20+22+42+50	1.48	1.48	1.65	1.81	3.46	4.12	14.00 ( 3.50 - 16.50 )	3.27 ( 0.76 - 5.15 )	14.34	99
18+18+20+22+42+60	1.40	1.40	1.56	1.71	3.27	4.67	14.01 ( 3.50 - 16.50 )	3.26 ( 0.76 - 5.15 )	14.32	99
18+18+20+22+50+50	1.42	1.42	1.57	1.73	3.93	3.93	14.00 ( 3.50 - 16.50 )	3.26 ( 0.76 - 5.15 )	14.32	99
18+18+20+25+25+25	1.92	1.92	2.14	2.67	2.67	2.67	13.99 ( 3.50 - 16.50 )	3.30 ( 0.76 - 5.17 )	14.50	99
18+18+20+25+25+35	1.79	1.79	1.99	2.48	2.48	3.48	14.01 ( 3.50 - 16.50 )	3.30 ( 0.76 - 5.17 )	14.48	99
18+18+20+25+25+42	1.70	1.70	1.89	2.36	2.36	3.97	13.98 ( 3.50 - 16.50 )	3.29 ( 0.76 - 5.16 )	14.44	99
18+18+20+25+25+50	1.62	1.62	1.79	2.24	2.24	4.49	14.00 ( 3.50 - 16.50 )	3.28 ( 0.76 - 5.15 )	14.39	99
18+18+20+25+25+60	1.52	1.52	1.69	2.11	2.11	5.06	14.01 ( 3.50 - 16.50 )	3.27 ( 0.76 - 5.15 )	14.36	99
18+18+20+25+25+71	1.42	1.42	1.58	1.98	1.98	5.62	14.00 ( 3.50 - 16.50 )	3.27 ( 0.76 - 5.15 )	14.34	99
18+18+20+25+35+35	1.67	1.67	1.85	2.32	3.25	3.25	14.01 ( 3.50 - 16.50 )	3.30 ( 0.76 - 5.17 )	14.48	99
18+18+20+25+35+42	1.59	1.59	1.77	2.22	3.10	3.72	13.99 ( 3.50 - 16.50 )	3.29 ( 0.76 - 5.15 )	14.43	99
18+18+20+25+35+50	1.52	1.52	1.69	2.11	2.95	4.22	14.01 ( 3.50 - 16.50 )	3.27 ( 0.76 - 5.15 )	14.37	99
18+18+20+25+35+60	1.43	1.43	1.59	1.99	2.78	4.77	13.99 ( 3.50 - 16.50 )	3.27 ( 0.76 - 5.15 )	14.36	99
18+18+20+25+42+42	1.53	1.53	1.70	2.12	3.56	3.56	14.00 ( 3.50 - 16.50 )	3.28 ( 0.76 - 5.15 )	14.39	99

# MXZ-6D122VA HEATING

Indoor units combination	Heating Capacity (kW)							Outdoor unit power consumption (kW)	Current (A)	Power factor (%)
	Unit A	Unit B	Unit C	Unit D	Unit E	Unit F	Total			
18+18+20+25+42+50	1.46	1.46	1.62	2.02	3.40	4.05	14.01 ( 3.50 - 16.50 )	3.26 ( 0.76 - 5.15 )	14.33	99
18+18+20+35+35+35	1.57	1.57	1.74	3.04	3.04	3.04	14.00 ( 3.50 - 16.50 )	3.29 ( 0.76 - 5.16 )	14.46	99
18+18+20+35+35+42	1.50	1.50	1.67	2.92	2.92	3.50	14.01 ( 3.50 - 16.50 )	3.28 ( 0.76 - 5.15 )	14.41	99
18+18+20+35+35+50	1.43	1.43	1.59	2.78	2.78	3.98	13.99 ( 3.50 - 16.50 )	3.27 ( 0.76 - 5.15 )	14.36	99
18+18+20+35+42+42	1.44	1.44	1.60	2.80	3.36	3.36	14.00 ( 3.50 - 16.50 )	3.27 ( 0.76 - 5.15 )	14.37	99
18+18+22+22+22+22	2.03	2.03	2.48	2.48	2.48	2.48	13.98 ( 3.50 - 16.50 )	3.30 ( 0.76 - 5.17 )	14.49	99
18+18+22+22+22+25	1.98	1.98	2.43	2.43	2.43	2.76	14.01 ( 3.50 - 16.50 )	3.30 ( 0.76 - 5.17 )	14.48	99
18+18+22+22+22+35	1.84	1.84	2.25	2.25	2.25	3.58	14.01 ( 3.50 - 16.50 )	3.29 ( 0.76 - 5.16 )	14.47	99
18+18+22+22+22+42	1.75	1.75	2.14	2.14	2.14	4.08	14.00 ( 3.50 - 16.50 )	3.28 ( 0.76 - 5.15 )	14.43	99
18+18+22+22+22+50	1.66	1.66	2.03	2.03	2.03	4.61	14.02 ( 3.50 - 16.50 )	3.27 ( 0.76 - 5.15 )	14.37	99
18+18+22+22+22+60	1.56	1.56	1.90	1.90	1.90	5.19	14.01 ( 3.50 - 16.50 )	3.27 ( 0.76 - 5.15 )	14.35	99
18+18+22+22+22+71	1.46	1.46	1.78	1.78	1.78	5.75	14.01 ( 3.50 - 16.50 )	3.26 ( 0.76 - 5.15 )	14.33	99
18+18+22+22+25+25	1.94	1.94	2.37	2.37	2.69	2.69	14.00 ( 3.50 - 16.50 )	3.30 ( 0.76 - 5.16 )	14.47	99
18+18+22+22+25+35	1.80	1.80	2.20	2.20	2.50	3.50	14.00 ( 3.50 - 16.50 )	3.29 ( 0.76 - 5.16 )	14.46	99
18+18+22+22+25+42	1.71	1.71	2.10	2.10	2.38	4.00	14.00 ( 3.50 - 16.50 )	3.28 ( 0.76 - 5.15 )	14.41	99
18+18+22+22+25+50	1.63	1.63	1.99	1.99	2.26	4.52	14.02 ( 3.50 - 16.50 )	3.27 ( 0.76 - 5.15 )	14.36	99
18+18+22+22+25+60	1.53	1.53	1.87	1.87	2.12	5.09	14.01 ( 3.50 - 16.50 )	3.26 ( 0.76 - 5.15 )	14.34	99
18+18+22+22+25+71	1.43	1.43	1.75	1.75	1.99	5.65	14.00 ( 3.50 - 16.50 )	3.26 ( 0.76 - 5.15 )	14.32	99
18+18+22+22+35+35	1.68	1.68	2.05	2.05	3.27	3.27	14.00 ( 3.50 - 16.50 )	3.29 ( 0.76 - 5.16 )	14.45	99
18+18+22+22+35+42	1.61	1.61	1.96	1.96	3.12	3.75	14.01 ( 3.50 - 16.50 )	3.28 ( 0.76 - 5.15 )	14.40	99
18+18+22+22+35+50	1.53	1.53	1.87	1.87	2.97	4.24	14.01 ( 3.50 - 16.50 )	3.27 ( 0.76 - 5.15 )	14.35	99
18+18+22+22+35+60	1.44	1.44	1.76	1.76	2.80	4.80	14.00 ( 3.50 - 16.50 )	3.26 ( 0.76 - 5.15 )	14.33	99
18+18+22+22+42+42	1.54	1.54	1.88	1.88	3.59	3.59	14.02 ( 3.50 - 16.50 )	3.27 ( 0.76 - 5.15 )	14.36	99
18+18+22+22+42+50	1.47	1.47	1.79	1.79	3.42	4.07	14.01 ( 3.50 - 16.50 )	3.26 ( 0.76 - 5.15 )	14.32	99
18+18+22+22+50+50	1.40	1.40	1.71	1.71	3.89	3.89	14.00 ( 3.50 - 16.50 )	3.26 ( 0.76 - 5.15 )	14.32	99
18+18+22+25+25+25	1.89	1.89	2.32	2.63	2.63	2.63	13.99 ( 3.50 - 16.50 )	3.29 ( 0.76 - 5.16 )	14.47	99
18+18+22+25+25+35	1.76	1.76	2.15	2.45	2.45	3.43	14.00 ( 3.50 - 16.50 )	3.29 ( 0.76 - 5.16 )	14.45	99
18+18+22+25+25+42	1.68	1.68	2.05	2.33	2.33	3.92	13.99 ( 3.50 - 16.50 )	3.28 ( 0.76 - 5.15 )	14.41	99
18+18+22+25+25+50	1.59	1.59	1.95	2.22	2.22	4.43	14.00 ( 3.50 - 16.50 )	3.27 ( 0.76 - 5.15 )	14.36	99
18+18+22+25+25+60	1.50	1.50	1.83	2.08	2.08	5.00	13.99 ( 3.50 - 16.50 )	3.26 ( 0.76 - 5.15 )	14.33	99
18+18+22+25+25+71	1.41	1.41	1.72	1.96	1.96	5.55	14.01 ( 3.50 - 16.50 )	3.26 ( 0.76 - 5.15 )	14.32	99
18+18+22+25+35+35	1.65	1.65	2.01	2.29	3.20	3.20	14.00 ( 3.50 - 16.50 )	3.29 ( 0.76 - 5.16 )	14.44	99
18+18+22+25+35+42	1.58	1.58	1.93	2.19	3.06	3.68	14.02 ( 3.50 - 16.50 )	3.28 ( 0.76 - 5.15 )	14.39	99
18+18+22+25+35+50	1.50	1.50	1.83	2.08	2.92	4.17	14.00 ( 3.50 - 16.50 )	3.27 ( 0.76 - 5.15 )	14.34	99
18+18+22+25+35+60	1.42	1.42	1.73	1.97	2.75	4.72	14.01 ( 3.50 - 16.50 )	3.26 ( 0.76 - 5.15 )	14.32	99
18+18+22+25+42+42	1.51	1.51	1.84	2.10	3.52	3.52	14.00 ( 3.50 - 16.50 )	3.27 ( 0.76 - 5.15 )	14.36	99

# MXZ-6D122VA HEATING

Indoor units combination	Heating Capacity (kW)							Outdoor unit power consumption (kW)	Current (A)	Power factor (%)
	Unit A	Unit B	Unit C	Unit D	Unit E	Unit F	Total			
18+18+22+25+42+50	1.44	1.44	1.76	2.00	3.36	4.00	14.00 ( 3.50 - 16.50 )	3.26 ( 0.76 - 5.15 )	14.32	99
18+18+22+35+35+35	1.55	1.55	1.89	3.01	3.01	3.01	14.02 ( 3.50 - 16.50 )	3.28 ( 0.76 - 5.15 )	14.43	99
18+18+22+35+35+42	1.48	1.48	1.81	2.88	2.88	3.46	13.99 ( 3.50 - 16.50 )	3.28 ( 0.76 - 5.15 )	14.39	99
18+18+22+35+35+50	1.42	1.42	1.73	2.75	2.75	3.93	14.00 ( 3.50 - 16.50 )	3.26 ( 0.76 - 5.15 )	14.33	99
18+18+22+35+42+42	1.42	1.42	1.74	2.77	3.32	3.32	13.99 ( 3.50 - 16.50 )	3.27 ( 0.76 - 5.15 )	14.34	99
18+18+25+25+25+25	1.85	1.85	2.57	2.57	2.57	2.57	13.98 ( 3.50 - 16.50 )	3.29 ( 0.76 - 5.16 )	14.45	99
18+18+25+25+25+35	1.73	1.73	2.40	2.40	2.40	3.36	14.02 ( 3.50 - 16.50 )	3.29 ( 0.76 - 5.16 )	14.44	99
18+18+25+25+25+42	1.65	1.65	2.29	2.29	2.29	3.84	14.01 ( 3.50 - 16.50 )	3.28 ( 0.76 - 5.15 )	14.40	99
18+18+25+25+25+50	1.57	1.57	2.17	2.17	2.17	4.35	14.00 ( 3.50 - 16.50 )	3.27 ( 0.76 - 5.15 )	14.34	99
18+18+25+25+25+60	1.47	1.47	2.05	2.05	2.05	4.91	14.00 ( 3.50 - 16.50 )	3.26 ( 0.76 - 5.15 )	14.32	99
18+18+25+25+35+35	1.62	1.62	2.24	2.24	3.14	3.14	14.00 ( 3.50 - 16.50 )	3.29 ( 0.76 - 5.15 )	14.43	99
18+18+25+25+35+42	1.55	1.55	2.15	2.15	3.01	3.61	14.02 ( 3.50 - 16.50 )	3.28 ( 0.76 - 5.15 )	14.39	99
18+18+25+25+35+50	1.47	1.47	2.05	2.05	2.87	4.09	14.00 ( 3.50 - 16.50 )	3.26 ( 0.76 - 5.15 )	14.33	99
18+18+25+25+42+42	1.48	1.48	2.06	2.06	3.46	3.46	14.00 ( 3.50 - 16.50 )	3.27 ( 0.76 - 5.15 )	14.34	99
18+18+25+25+42+50	1.42	1.42	1.97	1.97	3.30	3.93	14.01 ( 3.50 - 16.50 )	3.26 ( 0.76 - 5.15 )	14.32	99
18+18+25+35+35+35	1.52	1.52	2.11	2.95	2.95	2.95	14.00 ( 3.50 - 16.50 )	3.28 ( 0.76 - 5.15 )	14.42	99
18+18+25+35+35+42	1.46	1.46	2.02	2.83	2.83	3.40	14.00 ( 3.50 - 16.50 )	3.27 ( 0.76 - 5.15 )	14.37	99
18+18+25+35+42+42	1.40	1.40	1.94	2.72	3.27	3.27	14.00 ( 3.50 - 16.50 )	3.26 ( 0.76 - 5.15 )	14.33	99
18+18+35+35+35+35	1.43	1.43	2.78	2.78	2.78	2.78	13.98 ( 3.50 - 16.50 )	3.28 ( 0.76 - 5.15 )	14.40	99
18+20+20+20+20+20	2.06	2.29	2.29	2.29	2.29	2.29	13.51 ( 3.50 - 16.20 )	3.45 ( 0.78 - 5.71 )	15.13	99
18+20+20+20+20+22	2.10	2.33	2.33	2.33	2.33	2.57	13.99 ( 3.50 - 16.50 )	3.33 ( 0.76 - 5.20 )	14.64	99
18+20+20+20+20+25	2.05	2.28	2.28	2.28	2.28	2.85	14.02 ( 3.50 - 16.50 )	3.33 ( 0.76 - 5.20 )	14.63	99
18+20+20+20+20+35	1.89	2.11	2.11	2.11	2.11	3.68	14.01 ( 3.50 - 16.50 )	3.33 ( 0.76 - 5.20 )	14.62	99
18+20+20+20+20+42	1.80	2.00	2.00	2.00	2.00	4.20	14.00 ( 3.50 - 16.50 )	3.32 ( 0.76 - 5.19 )	14.57	99
18+20+20+20+20+50	1.70	1.89	1.89	1.89	1.89	4.73	13.99 ( 3.50 - 16.50 )	3.31 ( 0.76 - 5.18 )	14.52	99
18+20+20+20+20+60	1.59	1.77	1.77	1.77	1.77	5.32	13.99 ( 3.50 - 16.50 )	3.30 ( 0.76 - 5.17 )	14.48	99
18+20+20+20+20+71	1.49	1.66	1.66	1.66	1.66	5.88	14.01 ( 3.50 - 16.50 )	3.29 ( 0.76 - 5.16 )	14.47	99
18+20+20+20+22+22	2.07	2.30	2.30	2.30	2.52	2.52	14.01 ( 3.50 - 16.50 )	3.33 ( 0.76 - 5.20 )	14.60	99
18+20+20+20+22+25	2.02	2.24	2.24	2.24	2.46	2.80	14.00 ( 3.50 - 16.50 )	3.32 ( 0.76 - 5.20 )	14.60	99
18+20+20+20+22+35	1.87	2.07	2.07	2.07	2.28	3.63	13.99 ( 3.50 - 16.50 )	3.32 ( 0.76 - 5.19 )	14.58	99
18+20+20+20+22+42	1.77	1.97	1.97	1.97	2.17	4.14	13.99 ( 3.50 - 16.50 )	3.31 ( 0.76 - 5.18 )	14.53	99
18+20+20+20+22+50	1.68	1.87	1.87	1.87	2.05	4.67	14.01 ( 3.50 - 16.50 )	3.30 ( 0.76 - 5.17 )	14.48	99
18+20+20+20+22+60	1.58	1.75	1.75	1.75	1.93	5.25	14.01 ( 3.50 - 16.50 )	3.29 ( 0.76 - 5.16 )	14.45	99
18+20+20+20+22+71	1.47	1.64	1.64	1.64	1.80	5.81	14.00 ( 3.50 - 16.50 )	3.29 ( 0.76 - 5.15 )	14.43	99
18+20+20+20+25+25	1.97	2.19	2.19	2.19	2.73	2.73	14.00 ( 3.50 - 16.50 )	3.32 ( 0.76 - 5.19 )	14.58	99
18+20+20+20+25+35	1.83	2.03	2.03	2.03	2.54	3.55	14.01 ( 3.50 - 16.50 )	3.32 ( 0.76 - 5.19 )	14.57	99

# MXZ-6D122VA HEATING

Indoor units combination	Heating Capacity (kW)							Outdoor unit power consumption (kW)	Current (A)	Power factor (%)
	Unit A	Unit B	Unit C	Unit D	Unit E	Unit F	Total			
18+20+20+20+25+42	1.74	1.93	1.93	1.93	2.41	4.06	14.00 ( 3.50 - 16.50 )	3.31 ( 0.76 - 5.18 )	14.52	99
18+20+20+20+25+50	1.65	1.83	1.83	1.83	2.29	4.58	14.01 ( 3.50 - 16.50 )	3.29 ( 0.76 - 5.16 )	14.47	99
18+20+20+20+25+60	1.55	1.72	1.72	1.72	2.15	5.15	14.01 ( 3.50 - 16.50 )	3.29 ( 0.76 - 5.16 )	14.44	99
18+20+20+20+25+71	1.45	1.61	1.61	1.61	2.01	5.71	14.00 ( 3.50 - 16.50 )	3.28 ( 0.76 - 5.15 )	14.42	99
18+20+20+20+35+35	1.70	1.89	1.89	1.89	3.31	3.31	13.99 ( 3.50 - 16.50 )	3.31 ( 0.76 - 5.18 )	14.56	99
18+20+20+20+35+42	1.63	1.81	1.81	1.81	3.16	3.79	14.01 ( 3.50 - 16.50 )	3.31 ( 0.76 - 5.18 )	14.52	99
18+20+20+20+35+50	1.55	1.72	1.72	1.72	3.01	4.29	14.01 ( 3.50 - 16.50 )	3.29 ( 0.76 - 5.16 )	14.45	99
18+20+20+20+35+60	1.46	1.62	1.62	1.62	2.83	4.86	14.01 ( 3.50 - 16.50 )	3.28 ( 0.76 - 5.15 )	14.43	99
18+20+20+20+42+42	1.56	1.73	1.73	1.73	3.63	3.63	14.01 ( 3.50 - 16.50 )	3.29 ( 0.76 - 5.16 )	14.47	99
18+20+20+20+42+50	1.48	1.65	1.65	1.65	3.46	4.12	14.01 ( 3.50 - 16.50 )	3.28 ( 0.76 - 5.15 )	14.41	99
18+20+20+20+42+60	1.40	1.56	1.56	1.56	3.27	4.67	14.02 ( 3.50 - 16.50 )	3.28 ( 0.76 - 5.15 )	14.39	99
18+20+20+20+50+50	1.42	1.57	1.57	1.57	3.93	3.93	13.99 ( 3.50 - 16.50 )	3.27 ( 0.76 - 5.15 )	14.36	99
18+20+20+22+22+22	2.03	2.26	2.26	2.48	2.48	2.48	13.99 ( 3.50 - 16.50 )	3.32 ( 0.76 - 5.19 )	14.57	99
18+20+20+22+22+25	1.98	2.20	2.20	2.43	2.43	2.76	14.00 ( 3.50 - 16.50 )	3.31 ( 0.76 - 5.18 )	14.56	99
18+20+20+22+22+35	1.84	2.04	2.04	2.25	2.25	3.58	14.00 ( 3.50 - 16.50 )	3.31 ( 0.76 - 5.18 )	14.54	99
18+20+20+22+22+42	1.75	1.94	1.94	2.14	2.14	4.08	13.99 ( 3.50 - 16.50 )	3.30 ( 0.76 - 5.17 )	14.50	99
18+20+20+22+22+50	1.66	1.84	1.84	2.03	2.03	4.61	14.01 ( 3.50 - 16.50 )	3.29 ( 0.76 - 5.16 )	14.44	99
18+20+20+22+22+60	1.56	1.73	1.73	1.90	1.90	5.19	14.01 ( 3.50 - 16.50 )	3.28 ( 0.76 - 5.15 )	14.41	99
18+20+20+22+22+71	1.46	1.62	1.62	1.78	1.78	5.75	14.01 ( 3.50 - 16.50 )	3.28 ( 0.76 - 5.15 )	14.39	99
18+20+20+22+25+25	1.94	2.15	2.15	2.37	2.69	2.69	13.99 ( 3.50 - 16.50 )	3.31 ( 0.76 - 5.18 )	14.55	99
18+20+20+22+25+35	1.80	2.00	2.00	2.20	2.50	3.50	14.00 ( 3.50 - 16.50 )	3.31 ( 0.76 - 5.18 )	14.53	99
18+20+20+22+25+42	1.71	1.90	1.90	2.10	2.38	4.00	13.99 ( 3.50 - 16.50 )	3.30 ( 0.76 - 5.17 )	14.48	99
18+20+20+22+25+50	1.63	1.81	1.81	1.99	2.26	4.52	14.02 ( 3.50 - 16.50 )	3.28 ( 0.76 - 5.15 )	14.43	99
18+20+20+22+25+60	1.53	1.70	1.70	1.87	2.12	5.09	14.01 ( 3.50 - 16.50 )	3.28 ( 0.76 - 5.15 )	14.41	99
18+20+20+22+25+71	1.43	1.59	1.59	1.75	1.99	5.65	14.00 ( 3.50 - 16.50 )	3.28 ( 0.76 - 5.15 )	14.39	99
18+20+20+22+35+35	1.68	1.87	1.87	2.05	3.27	3.27	14.01 ( 3.50 - 16.50 )	3.31 ( 0.76 - 5.18 )	14.52	99
18+20+20+22+35+42	1.61	1.78	1.78	1.96	3.12	3.75	14.00 ( 3.50 - 16.50 )	3.30 ( 0.76 - 5.17 )	14.48	99
18+20+20+22+35+50	1.53	1.70	1.70	1.87	2.97	4.24	14.01 ( 3.50 - 16.50 )	3.28 ( 0.76 - 5.15 )	14.42	99
18+20+20+22+35+60	1.44	1.60	1.60	1.76	2.80	4.80	14.00 ( 3.50 - 16.50 )	3.28 ( 0.76 - 5.15 )	14.39	99
18+20+20+22+42+42	1.54	1.71	1.71	1.88	3.59	3.59	14.02 ( 3.50 - 16.50 )	3.29 ( 0.76 - 5.15 )	14.43	99
18+20+20+22+42+50	1.47	1.63	1.63	1.79	3.42	4.07	14.01 ( 3.50 - 16.50 )	3.27 ( 0.76 - 5.15 )	14.37	99
18+20+20+22+50+50	1.40	1.56	1.56	1.71	3.89	3.89	14.01 ( 3.50 - 16.50 )	3.26 ( 0.76 - 5.15 )	14.32	99
18+20+20+25+25+25	1.89	2.11	2.11	2.63	2.63	2.63	14.00 ( 3.50 - 16.50 )	3.31 ( 0.76 - 5.18 )	14.54	99
18+20+20+25+25+35	1.76	1.96	1.96	2.45	2.45	3.43	14.01 ( 3.50 - 16.50 )	3.31 ( 0.76 - 5.18 )	14.52	99
18+20+20+25+25+42	1.68	1.87	1.87	2.33	2.33	3.92	14.00 ( 3.50 - 16.50 )	3.30 ( 0.76 - 5.17 )	14.48	99
18+20+20+25+25+50	1.59	1.77	1.77	2.22	2.22	4.43	14.00 ( 3.50 - 16.50 )	3.28 ( 0.76 - 5.15 )	14.42	99

# MXZ-6D122VA HEATING

Indoor units combination	Heating Capacity (kW)							Outdoor unit power consumption (kW)	Current (A)	Power factor (%)
	Unit A	Unit B	Unit C	Unit D	Unit E	Unit F	Total			
18+20+20+25+25+60	1.50	1.67	1.67	2.08	2.08	5.00	14.00 ( 3.50 - 16.50 )	3.28 ( 0.76 - 5.15 )	14.40	99
18+20+20+25+25+71	1.41	1.56	1.56	1.96	1.96	5.55	14.00 ( 3.50 - 16.50 )	3.27 ( 0.76 - 5.15 )	14.37	99
18+20+20+25+35+35	1.65	1.83	1.83	2.29	3.20	3.20	14.00 ( 3.50 - 16.50 )	3.31 ( 0.76 - 5.18 )	14.52	99
18+20+20+25+35+42	1.58	1.75	1.75	2.19	3.06	3.68	14.01 ( 3.50 - 16.50 )	3.29 ( 0.76 - 5.16 )	14.47	99
18+20+20+25+35+50	1.50	1.67	1.67	2.08	2.92	4.17	14.01 ( 3.50 - 16.50 )	3.28 ( 0.76 - 5.15 )	14.41	99
18+20+20+25+35+60	1.42	1.57	1.57	1.97	2.75	4.72	14.00 ( 3.50 - 16.50 )	3.28 ( 0.76 - 5.15 )	14.39	99
18+20+20+25+42+42	1.51	1.68	1.68	2.10	3.52	3.52	14.01 ( 3.50 - 16.50 )	3.28 ( 0.76 - 5.15 )	14.42	99
18+20+20+25+42+50	1.44	1.60	1.60	2.00	3.36	4.00	14.00 ( 3.50 - 16.50 )	3.27 ( 0.76 - 5.15 )	14.36	99
18+20+20+35+35+35	1.55	1.72	1.72	3.01	3.01	3.01	14.02 ( 3.50 - 16.50 )	3.30 ( 0.76 - 5.17 )	14.50	99
18+20+20+35+35+42	1.48	1.65	1.65	2.88	2.88	3.46	14.00 ( 3.50 - 16.50 )	3.29 ( 0.76 - 5.16 )	14.45	99
18+20+20+35+35+50	1.42	1.57	1.57	2.75	2.75	3.93	13.99 ( 3.50 - 16.50 )	3.28 ( 0.76 - 5.15 )	14.39	99
18+20+20+35+42+42	1.42	1.58	1.58	2.77	3.32	3.32	13.99 ( 3.50 - 16.50 )	3.28 ( 0.76 - 5.15 )	14.41	99
18+20+22+22+22+22	2.00	2.22	2.44	2.44	2.44	2.44	13.98 ( 3.50 - 16.50 )	3.31 ( 0.76 - 5.18 )	14.53	99
18+20+22+22+22+25	1.95	2.17	2.39	2.39	2.39	2.71	14.00 ( 3.50 - 16.50 )	3.31 ( 0.76 - 5.18 )	14.52	99
18+20+22+22+22+35	1.81	2.01	2.22	2.22	2.22	3.53	14.01 ( 3.50 - 16.50 )	3.30 ( 0.76 - 5.17 )	14.50	99
18+20+22+22+22+42	1.73	1.92	2.11	2.11	2.11	4.03	14.01 ( 3.50 - 16.50 )	3.29 ( 0.76 - 5.16 )	14.46	99
18+20+22+22+22+50	1.64	1.82	2.00	2.00	2.00	4.55	14.01 ( 3.50 - 16.50 )	3.28 ( 0.76 - 5.15 )	14.40	99
18+20+22+22+22+60	1.54	1.71	1.88	1.88	1.88	5.12	14.01 ( 3.50 - 16.50 )	3.27 ( 0.76 - 5.15 )	14.38	99
18+20+22+22+22+71	1.44	1.60	1.76	1.76	1.76	5.68	14.00 ( 3.50 - 16.50 )	3.27 ( 0.76 - 5.15 )	14.36	99
18+20+22+22+25+25	1.91	2.12	2.33	2.33	2.65	2.65	13.99 ( 3.50 - 16.50 )	3.31 ( 0.76 - 5.18 )	14.52	99
18+20+22+22+25+35	1.77	1.97	2.17	2.17	2.46	3.45	13.99 ( 3.50 - 16.50 )	3.30 ( 0.76 - 5.17 )	14.50	99
18+20+22+22+25+42	1.69	1.88	2.07	2.07	2.35	3.95	14.01 ( 3.50 - 16.50 )	3.29 ( 0.76 - 5.16 )	14.45	99
18+20+22+22+25+50	1.61	1.78	1.96	1.96	2.23	4.46	14.00 ( 3.50 - 16.50 )	3.28 ( 0.76 - 5.15 )	14.39	99
18+20+22+22+25+60	1.51	1.68	1.84	1.84	2.10	5.03	14.00 ( 3.50 - 16.50 )	3.27 ( 0.76 - 5.15 )	14.37	99
18+20+22+22+25+71	1.42	1.57	1.73	1.73	1.97	5.58	14.00 ( 3.50 - 16.50 )	3.27 ( 0.76 - 5.15 )	14.36	99
18+20+22+22+35+35	1.66	1.84	2.03	2.03	3.22	3.22	14.00 ( 3.50 - 16.50 )	3.30 ( 0.76 - 5.17 )	14.48	99
18+20+22+22+35+42	1.58	1.76	1.94	1.94	3.08	3.70	14.00 ( 3.50 - 16.50 )	3.29 ( 0.76 - 5.16 )	14.44	99
18+20+22+22+35+50	1.51	1.68	1.84	1.84	2.93	4.19	13.99 ( 3.50 - 16.50 )	3.27 ( 0.76 - 5.15 )	14.38	99
18+20+22+22+35+60	1.42	1.58	1.74	1.74	2.77	4.75	14.00 ( 3.50 - 16.50 )	3.27 ( 0.76 - 5.15 )	14.36	99
18+20+22+22+42+42	1.52	1.69	1.86	1.86	3.54	3.54	14.01 ( 3.50 - 16.50 )	3.28 ( 0.76 - 5.15 )	14.39	99
18+20+22+22+42+50	1.45	1.61	1.77	1.77	3.38	4.02	14.00 ( 3.50 - 16.50 )	3.27 ( 0.76 - 5.15 )	14.34	99
18+20+22+25+25+25	1.87	2.07	2.28	2.59	2.59	2.59	13.99 ( 3.50 - 16.50 )	3.30 ( 0.76 - 5.17 )	14.50	99
18+20+22+25+25+35	1.74	1.93	2.12	2.41	2.41	3.38	13.99 ( 3.50 - 16.50 )	3.30 ( 0.76 - 5.17 )	14.48	99
18+20+22+25+25+42	1.66	1.84	2.03	2.30	2.30	3.87	14.00 ( 3.50 - 16.50 )	3.29 ( 0.76 - 5.16 )	14.44	99
18+20+22+25+25+50	1.58	1.75	1.93	2.19	2.19	4.38	14.02 ( 3.50 - 16.50 )	3.28 ( 0.76 - 5.15 )	14.39	99
18+20+22+25+25+60	1.48	1.65	1.81	2.06	2.06	4.94	14.00 ( 3.50 - 16.50 )	3.27 ( 0.76 - 5.15 )	14.36	99

# MXZ-6D122VA HEATING

Indoor units combination	Heating Capacity (kW)							Outdoor unit power consumption (kW)	Current (A)	Power factor (%)
	Unit A	Unit B	Unit C	Unit D	Unit E	Unit F	Total			
18+20+22+25+35+35	1.63	1.81	1.99	2.26	3.16	3.16	14.01 ( 3.50 - 16.50 )	3.30 ( 0.76 - 5.17 )	14.48	99
18+20+22+25+35+42	1.56	1.73	1.90	2.16	3.02	3.63	14.00 ( 3.50 - 16.50 )	3.29 ( 0.76 - 5.15 )	14.43	99
18+20+22+25+35+50	1.48	1.65	1.81	2.06	2.88	4.12	14.00 ( 3.50 - 16.50 )	3.27 ( 0.76 - 5.15 )	14.37	99
18+20+22+25+35+60	1.40	1.56	1.71	1.94	2.72	4.67	14.00 ( 3.50 - 16.50 )	3.27 ( 0.76 - 5.15 )	14.36	99
18+20+22+25+42+42	1.49	1.66	1.82	2.07	3.48	3.48	14.00 ( 3.50 - 16.50 )	3.28 ( 0.76 - 5.15 )	14.39	99
18+20+22+25+42+50	1.42	1.58	1.74	1.98	3.32	3.95	13.99 ( 3.50 - 16.50 )	3.26 ( 0.76 - 5.15 )	14.33	99
18+20+22+35+35+35	1.53	1.70	1.87	2.97	2.97	2.97	14.01 ( 3.50 - 16.50 )	3.29 ( 0.76 - 5.16 )	14.46	99
18+20+22+35+35+42	1.47	1.63	1.79	2.85	2.85	3.42	14.01 ( 3.50 - 16.50 )	3.28 ( 0.76 - 5.15 )	14.41	99
18+20+22+35+35+50	1.40	1.56	1.71	2.72	2.72	3.89	14.00 ( 3.50 - 16.50 )	3.27 ( 0.76 - 5.15 )	14.36	99
18+20+22+35+42+42	1.41	1.56	1.72	2.74	3.28	3.28	13.99 ( 3.50 - 16.50 )	3.27 ( 0.76 - 5.15 )	14.37	99
18+20+25+25+25+25	1.83	2.03	2.54	2.54	2.54	2.54	14.02 ( 3.50 - 16.50 )	3.30 ( 0.76 - 5.17 )	14.49	99
18+20+25+25+25+35	1.70	1.89	2.36	2.36	2.36	3.31	13.98 ( 3.50 - 16.50 )	3.30 ( 0.76 - 5.17 )	14.48	99
18+20+25+25+25+42	1.63	1.81	2.26	2.26	2.26	3.79	14.01 ( 3.50 - 16.50 )	3.29 ( 0.76 - 5.15 )	14.43	99
18+20+25+25+25+50	1.55	1.72	2.15	2.15	2.15	4.29	14.01 ( 3.50 - 16.50 )	3.27 ( 0.76 - 5.15 )	14.37	99
18+20+25+25+25+60	1.46	1.62	2.02	2.02	2.02	4.86	14.00 ( 3.50 - 16.50 )	3.27 ( 0.76 - 5.15 )	14.36	99
18+20+25+25+35+35	1.59	1.77	2.22	2.22	3.10	3.10	14.00 ( 3.50 - 16.50 )	3.29 ( 0.76 - 5.16 )	14.47	99
18+20+25+25+35+42	1.53	1.70	2.12	2.12	2.97	3.56	14.00 ( 3.50 - 16.50 )	3.28 ( 0.76 - 5.15 )	14.42	99
18+20+25+25+35+50	1.46	1.62	2.02	2.02	2.83	4.05	14.00 ( 3.50 - 16.50 )	3.27 ( 0.76 - 5.15 )	14.36	99
18+20+25+25+42+42	1.47	1.63	2.03	2.03	3.42	3.42	14.00 ( 3.50 - 16.50 )	3.27 ( 0.76 - 5.15 )	14.37	99
18+20+25+25+42+50	1.40	1.56	1.94	1.94	3.27	3.89	14.00 ( 3.50 - 16.50 )	3.26 ( 0.76 - 5.15 )	14.32	99
18+20+25+35+35+35	1.50	1.67	2.08	2.92	2.92	2.92	14.01 ( 3.50 - 16.50 )	3.29 ( 0.76 - 5.16 )	14.45	99
18+20+25+35+35+42	1.44	1.60	2.00	2.80	2.80	3.36	14.00 ( 3.50 - 16.50 )	3.28 ( 0.76 - 5.15 )	14.41	99
18+20+35+35+35+35	1.42	1.57	2.75	2.75	2.75	2.75	13.99 ( 3.50 - 16.50 )	3.29 ( 0.76 - 5.16 )	14.44	99
18+22+22+22+22+22	1.97	2.41	2.41	2.41	2.41	2.41	14.02 ( 3.50 - 16.50 )	3.30 ( 0.76 - 5.17 )	14.49	99
18+22+22+22+22+25	1.92	2.35	2.35	2.35	2.35	2.67	13.99 ( 3.50 - 16.50 )	3.30 ( 0.76 - 5.17 )	14.48	99
18+22+22+22+22+35	1.79	2.18	2.18	2.18	2.18	3.48	13.99 ( 3.50 - 16.50 )	3.29 ( 0.76 - 5.16 )	14.47	99
18+22+22+22+22+42	1.70	2.08	2.08	2.08	2.08	3.97	13.99 ( 3.50 - 16.50 )	3.28 ( 0.76 - 5.15 )	14.43	99
18+22+22+22+22+50	1.62	1.97	1.97	1.97	1.97	4.49	13.99 ( 3.50 - 16.50 )	3.27 ( 0.76 - 5.15 )	14.37	99
18+22+22+22+22+60	1.52	1.86	1.86	1.86	1.86	5.06	14.02 ( 3.50 - 16.50 )	3.27 ( 0.76 - 5.15 )	14.35	99
18+22+22+22+22+71	1.42	1.74	1.74	1.74	1.74	5.62	14.00 ( 3.50 - 16.50 )	3.26 ( 0.76 - 5.15 )	14.33	99
18+22+22+22+25+25	1.88	2.30	2.30	2.30	2.61	2.61	14.00 ( 3.50 - 16.50 )	3.30 ( 0.76 - 5.16 )	14.47	99
18+22+22+22+25+35	1.75	2.14	2.14	2.14	2.43	3.40	14.00 ( 3.50 - 16.50 )	3.29 ( 0.76 - 5.16 )	14.46	99
18+22+22+22+25+42	1.67	2.04	2.04	2.04	2.32	3.89	14.00 ( 3.50 - 16.50 )	3.28 ( 0.76 - 5.15 )	14.41	99
18+22+22+22+25+50	1.58	1.94	1.94	1.94	2.20	4.40	14.00 ( 3.50 - 16.50 )	3.27 ( 0.76 - 5.15 )	14.36	99
18+22+22+22+25+60	1.49	1.82	1.82	1.82	2.07	4.97	13.99 ( 3.50 - 16.50 )	3.26 ( 0.76 - 5.15 )	14.34	99
18+22+22+22+25+71	1.40	1.71	1.71	1.71	1.94	5.52	13.99 ( 3.50 - 16.50 )	3.26 ( 0.76 - 5.15 )	14.32	99

# MXZ-6D122VA HEATING

Indoor units combination	Heating Capacity (kW)							Outdoor unit power consumption (kW)	Current (A)	Power factor (%)
	Unit A	Unit B	Unit C	Unit D	Unit E	Unit F	Total			
18+22+22+22+35+35	1.64	2.00	2.00	2.00	3.18	3.18	14.00 ( 3.50 - 16.50 )	3.29 ( 0.76 - 5.16 )	14.45	99
18+22+22+22+35+42	1.57	1.91	1.91	1.91	3.04	3.65	13.99 ( 3.50 - 16.50 )	3.28 ( 0.76 - 5.15 )	14.40	99
18+22+22+22+35+50	1.49	1.82	1.82	1.82	2.90	4.14	13.99 ( 3.50 - 16.50 )	3.27 ( 0.76 - 5.15 )	14.35	99
18+22+22+22+35+60	1.41	1.72	1.72	1.72	2.74	4.69	14.00 ( 3.50 - 16.50 )	3.26 ( 0.76 - 5.15 )	14.33	99
18+22+22+22+42+42	1.50	1.83	1.83	1.83	3.50	3.50	13.99 ( 3.50 - 16.50 )	3.27 ( 0.76 - 5.15 )	14.36	99
18+22+22+22+42+50	1.43	1.75	1.75	1.75	3.34	3.98	14.00 ( 3.50 - 16.50 )	3.26 ( 0.76 - 5.15 )	14.32	99
18+22+22+25+25+25	1.84	2.25	2.25	2.55	2.55	2.55	13.99 ( 3.50 - 16.50 )	3.29 ( 0.76 - 5.16 )	14.47	99
18+22+22+25+25+35	1.71	2.10	2.10	2.38	2.38	3.33	14.00 ( 3.50 - 16.50 )	3.29 ( 0.76 - 5.16 )	14.45	99
18+22+22+25+25+42	1.64	2.00	2.00	2.27	2.27	3.82	14.00 ( 3.50 - 16.50 )	3.28 ( 0.76 - 5.15 )	14.41	99
18+22+22+25+25+50	1.56	1.90	1.90	2.16	2.16	4.32	14.00 ( 3.50 - 16.50 )	3.27 ( 0.76 - 5.15 )	14.36	99
18+22+22+25+25+60	1.47	1.79	1.79	2.03	2.03	4.88	13.99 ( 3.50 - 16.50 )	3.26 ( 0.76 - 5.15 )	14.33	99
18+22+22+25+35+35	1.61	1.96	1.96	2.23	3.12	3.12	14.00 ( 3.50 - 16.50 )	3.29 ( 0.76 - 5.16 )	14.44	99
18+22+22+25+35+42	1.54	1.88	1.88	2.13	2.99	3.59	14.01 ( 3.50 - 16.50 )	3.28 ( 0.76 - 5.15 )	14.39	99
18+22+22+25+35+50	1.47	1.79	1.79	2.03	2.85	4.07	14.00 ( 3.50 - 16.50 )	3.27 ( 0.76 - 5.15 )	14.34	99
18+22+22+25+42+42	1.47	1.80	1.80	2.05	3.44	3.44	14.00 ( 3.50 - 16.50 )	3.27 ( 0.76 - 5.15 )	14.36	99
18+22+22+25+42+50	1.41	1.72	1.72	1.96	3.28	3.91	14.00 ( 3.50 - 16.50 )	3.26 ( 0.76 - 5.15 )	14.32	99
18+22+22+35+35+35	1.51	1.84	1.84	2.93	2.93	2.93	13.98 ( 3.50 - 16.50 )	3.28 ( 0.76 - 5.15 )	14.43	99
18+22+22+35+35+42	1.45	1.77	1.77	2.82	2.82	3.38	14.01 ( 3.50 - 16.50 )	3.28 ( 0.76 - 5.15 )	14.39	99
18+22+25+25+25+25	1.80	2.20	2.50	2.50	2.50	2.50	14.00 ( 3.50 - 16.50 )	3.29 ( 0.76 - 5.16 )	14.45	99
18+22+25+25+25+35	1.68	2.05	2.33	2.33	2.33	3.27	13.99 ( 3.50 - 16.50 )	3.29 ( 0.76 - 5.16 )	14.44	99
18+22+25+25+25+42	1.61	1.96	2.23	2.23	2.23	3.75	14.01 ( 3.50 - 16.50 )	3.28 ( 0.76 - 5.15 )	14.40	99
18+22+25+25+25+50	1.53	1.87	2.12	2.12	2.12	4.24	14.00 ( 3.50 - 16.50 )	3.27 ( 0.76 - 5.15 )	14.34	99
18+22+25+25+25+60	1.44	1.76	2.00	2.00	2.00	4.80	14.00 ( 3.50 - 16.50 )	3.26 ( 0.76 - 5.15 )	14.32	99
18+22+25+25+35+35	1.58	1.93	2.19	2.19	3.06	3.06	14.01 ( 3.50 - 16.50 )	3.29 ( 0.76 - 5.15 )	14.43	99
18+22+25+25+35+42	1.51	1.84	2.10	2.10	2.93	3.52	14.00 ( 3.50 - 16.50 )	3.28 ( 0.76 - 5.15 )	14.39	99
18+22+25+25+35+50	1.44	1.76	2.00	2.00	2.80	4.00	14.00 ( 3.50 - 16.50 )	3.26 ( 0.76 - 5.15 )	14.33	99
18+22+25+25+42+42	1.45	1.77	2.01	2.01	3.38	3.38	14.00 ( 3.50 - 16.50 )	3.27 ( 0.76 - 5.15 )	14.34	99
18+22+25+35+35+35	1.48	1.81	2.06	2.88	2.88	2.88	13.99 ( 3.50 - 16.50 )	3.28 ( 0.76 - 5.15 )	14.42	99
18+22+25+35+35+42	1.42	1.74	1.98	2.77	2.77	3.32	14.00 ( 3.50 - 16.50 )	3.27 ( 0.76 - 5.15 )	14.37	99
18+22+35+35+35+35	1.40	1.71	2.72	2.72	2.72	2.72	13.99 ( 3.50 - 16.50 )	3.28 ( 0.76 - 5.15 )	14.40	99
18+25+25+25+25+25	1.76	2.45	2.45	2.45	2.45	2.45	14.01 ( 3.50 - 16.50 )	3.29 ( 0.76 - 5.16 )	14.45	99
18+25+25+25+25+35	1.65	2.29	2.29	2.29	2.29	3.20	14.01 ( 3.50 - 16.50 )	3.29 ( 0.76 - 5.15 )	14.43	99
18+25+25+25+25+42	1.58	2.19	2.19	2.19	2.19	3.68	14.02 ( 3.50 - 16.50 )	3.28 ( 0.76 - 5.15 )	14.39	99
18+25+25+25+25+50	1.50	2.08	2.08	2.08	2.08	4.17	13.99 ( 3.50 - 16.50 )	3.26 ( 0.76 - 5.15 )	14.33	99
18+25+25+25+25+60	1.42	1.97	1.97	1.97	1.97	4.72	14.02 ( 3.50 - 16.50 )	3.26 ( 0.76 - 5.15 )	14.32	99
18+25+25+25+35+35	1.55	2.15	2.15	2.15	3.01	3.01	14.02 ( 3.50 - 16.50 )	3.28 ( 0.76 - 5.15 )	14.42	99



# MXZ-6D122VA HEATING

Indoor units combination	Heating Capacity (kW)							Outdoor unit power consumption (kW)	Current (A)	Power factor (%)
	Unit A	Unit B	Unit C	Unit D	Unit E	Unit F	Total			
18+25+25+25+35+42	1.48	2.06	2.06	2.06	2.88	3.46	14.00 ( 3.50 - 16.50 )	3.27 ( 0.76 - 5.15 )	14.37	99
18+25+25+25+35+50	1.42	1.97	1.97	1.97	2.75	3.93	14.01 ( 3.50 - 16.50 )	3.26 ( 0.76 - 5.15 )	14.32	99
18+25+25+25+42+42	1.42	1.98	1.98	1.98	3.32	3.32	14.00 ( 3.50 - 16.50 )	3.26 ( 0.76 - 5.15 )	14.33	99
18+25+25+35+35+35	1.46	2.02	2.02	2.83	2.83	2.83	13.99 ( 3.50 - 16.50 )	3.28 ( 0.76 - 5.15 )	14.41	99
18+25+25+35+35+42	1.40	1.94	1.94	2.72	2.72	3.27	13.99 ( 3.50 - 16.50 )	3.27 ( 0.76 - 5.15 )	14.36	99
20+20+20+20+20+20	2.12	2.12	2.12	2.12	2.12	2.12	12.72 ( 3.40 - 16.00 )	3.29 ( 0.79 - 6.02 )	14.44	99
20+20+20+20+20+22	2.21	2.21	2.21	2.21	2.21	2.43	13.48 ( 3.50 - 16.20 )	3.45 ( 0.78 - 5.71 )	15.13	99
20+20+20+20+20+25	2.19	2.19	2.19	2.19	2.19	2.74	13.69 ( 3.50 - 16.40 )	3.40 ( 0.78 - 5.51 )	14.94	99
20+20+20+20+20+35	2.06	2.06	2.06	2.06	2.06	3.60	13.90 ( 3.50 - 16.50 )	3.36 ( 0.77 - 5.31 )	14.74	99
20+20+20+20+20+42	1.97	1.97	1.97	1.97	1.97	4.14	13.99 ( 3.50 - 16.50 )	3.33 ( 0.76 - 5.20 )	14.61	99
20+20+20+20+20+50	1.87	1.87	1.87	1.87	1.87	4.67	14.02 ( 3.50 - 16.50 )	3.31 ( 0.76 - 5.18 )	14.55	99
20+20+20+20+20+60	1.75	1.75	1.75	1.75	1.75	5.25	14.00 ( 3.50 - 16.50 )	3.31 ( 0.76 - 5.18 )	14.52	99
20+20+20+20+20+71	1.64	1.64	1.64	1.64	1.64	5.81	14.01 ( 3.50 - 16.50 )	3.30 ( 0.76 - 5.17 )	14.50	99
20+20+20+20+22+22	2.26	2.26	2.26	2.26	2.48	2.48	14.00 ( 3.50 - 16.50 )	3.33 ( 0.76 - 5.20 )	14.64	99
20+20+20+20+22+25	2.20	2.20	2.20	2.20	2.43	2.76	13.99 ( 3.50 - 16.50 )	3.33 ( 0.76 - 5.20 )	14.63	99
20+20+20+20+22+35	2.04	2.04	2.04	2.04	2.25	3.58	13.99 ( 3.50 - 16.50 )	3.33 ( 0.76 - 5.20 )	14.62	99
20+20+20+20+22+42	1.94	1.94	1.94	1.94	2.14	4.08	13.98 ( 3.50 - 16.50 )	3.32 ( 0.76 - 5.19 )	14.57	99
20+20+20+20+22+50	1.84	1.84	1.84	1.84	2.03	4.61	14.00 ( 3.50 - 16.50 )	3.31 ( 0.76 - 5.18 )	14.52	99
20+20+20+20+22+60	1.73	1.73	1.73	1.73	1.90	5.19	14.01 ( 3.50 - 16.50 )	3.30 ( 0.76 - 5.17 )	14.48	99
20+20+20+20+22+71	1.62	1.62	1.62	1.62	1.78	5.75	14.01 ( 3.50 - 16.50 )	3.29 ( 0.76 - 5.16 )	14.47	99
20+20+20+20+25+25	2.15	2.15	2.15	2.15	2.69	2.69	13.98 ( 3.50 - 16.50 )	3.33 ( 0.76 - 5.20 )	14.63	99
20+20+20+20+25+35	2.00	2.00	2.00	2.00	2.50	3.50	14.00 ( 3.50 - 16.50 )	3.33 ( 0.76 - 5.20 )	14.61	99
20+20+20+20+25+42	1.90	1.90	1.90	1.90	2.38	4.00	13.98 ( 3.50 - 16.50 )	3.32 ( 0.76 - 5.19 )	14.56	99
20+20+20+20+25+50	1.81	1.81	1.81	1.81	2.26	4.52	14.02 ( 3.50 - 16.50 )	3.30 ( 0.76 - 5.17 )	14.50	99
20+20+20+20+25+60	1.70	1.70	1.70	1.70	2.12	5.09	14.01 ( 3.50 - 16.50 )	3.30 ( 0.76 - 5.17 )	14.48	99
20+20+20+20+25+71	1.59	1.59	1.59	1.59	1.99	5.65	14.00 ( 3.50 - 16.50 )	3.29 ( 0.76 - 5.16 )	14.45	99
20+20+20+20+35+35	1.87	1.87	1.87	1.87	3.27	3.27	14.02 ( 3.50 - 16.50 )	3.32 ( 0.76 - 5.20 )	14.60	99
20+20+20+20+35+42	1.78	1.78	1.78	1.78	3.12	3.75	13.99 ( 3.50 - 16.50 )	3.31 ( 0.76 - 5.18 )	14.55	99
20+20+20+20+35+50	1.70	1.70	1.70	1.70	2.97	4.24	14.01 ( 3.50 - 16.50 )	3.30 ( 0.76 - 5.17 )	14.48	99
20+20+20+20+35+60	1.60	1.60	1.60	1.60	2.80	4.80	14.00 ( 3.50 - 16.50 )	3.29 ( 0.76 - 5.16 )	14.47	99
20+20+20+20+42+42	1.71	1.71	1.71	1.71	3.59	3.59	14.02 ( 3.50 - 16.50 )	3.30 ( 0.76 - 5.17 )	14.50	99
20+20+20+20+42+50	1.63	1.63	1.63	1.63	3.42	4.07	14.01 ( 3.50 - 16.50 )	3.29 ( 0.76 - 5.16 )	14.44	99
20+20+20+20+50+50	1.56	1.56	1.56	1.56	3.89	3.89	14.02 ( 3.50 - 16.50 )	3.28 ( 0.76 - 5.15 )	14.39	99
20+20+20+22+22+22	2.22	2.22	2.22	2.44	2.44	2.44	13.98 ( 3.50 - 16.50 )	3.33 ( 0.76 - 5.20 )	14.60	99
20+20+20+22+22+25	2.17	2.17	2.17	2.39	2.39	2.71	14.00 ( 3.50 - 16.50 )	3.32 ( 0.76 - 5.20 )	14.60	99
20+20+20+22+22+35	2.01	2.01	2.01	2.22	2.22	3.53	14.00 ( 3.50 - 16.50 )	3.32 ( 0.76 - 5.19 )	14.58	99

# MXZ-6D122VA HEATING

Indoor units combination	Heating Capacity (kW)							Outdoor unit power consumption (kW)	Current (A)	Power factor (%)
	Unit A	Unit B	Unit C	Unit D	Unit E	Unit F	Total			
20+20+20+22+22+42	1.92	1.92	1.92	2.11	2.11	4.03	14.01 ( 3.50 - 16.50 )	3.31 ( 0.76 - 5.18 )	14.53	99
20+20+20+22+22+50	1.82	1.82	1.82	2.00	2.00	4.55	14.01 ( 3.50 - 16.50 )	3.30 ( 0.76 - 5.17 )	14.48	99
20+20+20+22+22+60	1.71	1.71	1.71	1.88	1.88	5.12	14.01 ( 3.50 - 16.50 )	3.29 ( 0.76 - 5.16 )	14.45	99
20+20+20+22+22+71	1.60	1.60	1.60	1.76	1.76	5.68	14.00 ( 3.50 - 16.50 )	3.29 ( 0.76 - 5.15 )	14.43	99
20+20+20+22+25+25	2.12	2.12	2.12	2.33	2.65	2.65	13.99 ( 3.50 - 16.50 )	3.32 ( 0.76 - 5.19 )	14.58	99
20+20+20+22+25+35	1.97	1.97	1.97	2.17	2.46	3.45	13.99 ( 3.50 - 16.50 )	3.32 ( 0.76 - 5.19 )	14.57	99
20+20+20+22+25+42	1.88	1.88	1.88	2.07	2.35	3.95	14.01 ( 3.50 - 16.50 )	3.31 ( 0.76 - 5.18 )	14.52	99
20+20+20+22+25+50	1.78	1.78	1.78	1.96	2.23	4.46	13.99 ( 3.50 - 16.50 )	3.29 ( 0.76 - 5.16 )	14.47	99
20+20+20+22+25+60	1.68	1.68	1.68	1.84	2.10	5.03	14.01 ( 3.50 - 16.50 )	3.29 ( 0.76 - 5.16 )	14.44	99
20+20+20+22+25+71	1.57	1.57	1.57	1.73	1.97	5.58	13.99 ( 3.50 - 16.50 )	3.28 ( 0.76 - 5.15 )	14.42	99
20+20+20+22+35+35	1.84	1.84	1.84	2.03	3.22	3.22	13.99 ( 3.50 - 16.50 )	3.31 ( 0.76 - 5.18 )	14.56	99
20+20+20+22+35+42	1.76	1.76	1.76	1.94	3.08	3.70	14.00 ( 3.50 - 16.50 )	3.31 ( 0.76 - 5.18 )	14.52	99
20+20+20+22+35+50	1.68	1.68	1.68	1.84	2.93	4.19	14.00 ( 3.50 - 16.50 )	3.29 ( 0.76 - 5.16 )	14.45	99
20+20+20+22+35+60	1.58	1.58	1.58	1.74	2.77	4.75	14.00 ( 3.50 - 16.50 )	3.28 ( 0.76 - 5.15 )	14.43	99
20+20+20+22+42+42	1.69	1.69	1.69	1.86	3.54	3.54	14.01 ( 3.50 - 16.50 )	3.29 ( 0.76 - 5.16 )	14.47	99
20+20+20+22+42+50	1.61	1.61	1.61	1.77	3.38	4.02	14.00 ( 3.50 - 16.50 )	3.28 ( 0.76 - 5.15 )	14.41	99
20+20+20+25+25+25	2.07	2.07	2.07	2.59	2.59	2.59	13.98 ( 3.50 - 16.50 )	3.32 ( 0.76 - 5.19 )	14.57	99
20+20+20+25+25+35	1.93	1.93	1.93	2.41	2.41	3.38	13.99 ( 3.50 - 16.50 )	3.32 ( 0.76 - 5.19 )	14.56	99
20+20+20+25+25+42	1.84	1.84	1.84	2.30	2.30	3.87	13.99 ( 3.50 - 16.50 )	3.31 ( 0.76 - 5.18 )	14.52	99
20+20+20+25+25+50	1.75	1.75	1.75	2.19	2.19	4.38	14.01 ( 3.50 - 16.50 )	3.29 ( 0.76 - 5.16 )	14.45	99
20+20+20+25+25+60	1.65	1.65	1.65	2.06	2.06	4.94	14.01 ( 3.50 - 16.50 )	3.29 ( 0.76 - 5.15 )	14.43	99
20+20+20+25+35+35	1.81	1.81	1.81	2.26	3.16	3.16	14.01 ( 3.50 - 16.50 )	3.31 ( 0.76 - 5.18 )	14.55	99
20+20+20+25+35+42	1.73	1.73	1.73	2.16	3.02	3.63	14.00 ( 3.50 - 16.50 )	3.30 ( 0.76 - 5.17 )	14.50	99
20+20+20+25+35+50	1.65	1.65	1.65	2.06	2.88	4.12	14.01 ( 3.50 - 16.50 )	3.29 ( 0.76 - 5.16 )	14.44	99
20+20+20+25+35+60	1.56	1.56	1.56	1.94	2.72	4.67	14.01 ( 3.50 - 16.50 )	3.28 ( 0.76 - 5.15 )	14.42	99
20+20+20+25+42+42	1.66	1.66	1.66	2.07	3.48	3.48	14.01 ( 3.50 - 16.50 )	3.29 ( 0.76 - 5.16 )	14.45	99
20+20+20+25+42+50	1.58	1.58	1.58	1.98	3.32	3.95	13.99 ( 3.50 - 16.50 )	3.28 ( 0.76 - 5.15 )	14.40	99
20+20+20+35+35+35	1.70	1.70	1.70	2.97	2.97	2.97	14.01 ( 3.50 - 16.50 )	3.31 ( 0.76 - 5.18 )	14.53	99
20+20+20+35+35+42	1.63	1.63	1.63	2.85	2.85	3.42	14.01 ( 3.50 - 16.50 )	3.30 ( 0.76 - 5.17 )	14.48	99
20+20+20+35+35+50	1.56	1.56	1.56	2.72	2.72	3.89	14.01 ( 3.50 - 16.50 )	3.28 ( 0.76 - 5.15 )	14.43	99
20+20+20+35+42+42	1.56	1.56	1.56	2.74	3.28	3.28	13.98 ( 3.50 - 16.50 )	3.29 ( 0.76 - 5.16 )	14.44	99
20+20+22+22+22+22	2.19	2.19	2.41	2.41	2.41	2.41	14.02 ( 3.50 - 16.50 )	3.32 ( 0.76 - 5.19 )	14.57	99
20+20+22+22+22+25	2.14	2.14	2.35	2.35	2.35	2.67	14.00 ( 3.50 - 16.50 )	3.31 ( 0.76 - 5.18 )	14.56	99
20+20+22+22+22+35	1.99	1.99	2.18	2.18	2.18	3.48	14.00 ( 3.50 - 16.50 )	3.31 ( 0.76 - 5.18 )	14.54	99
20+20+22+22+22+42	1.89	1.89	2.08	2.08	2.08	3.97	13.99 ( 3.50 - 16.50 )	3.30 ( 0.76 - 5.17 )	14.50	99
20+20+22+22+22+50	1.79	1.79	1.97	1.97	1.97	4.49	13.98 ( 3.50 - 16.50 )	3.29 ( 0.76 - 5.16 )	14.44	99

# MXZ-6D122VA HEATING

Indoor units combination	Heating Capacity (kW)							Outdoor unit power consumption (kW)	Current (A)	Power factor (%)
	Unit A	Unit B	Unit C	Unit D	Unit E	Unit F	Total			
20+20+22+22+22+60	1.69	1.69	1.86	1.86	1.86	5.06	14.02 ( 3.50 - 16.50 )	3.28 ( 0.76 - 5.15 )	14.41	99
20+20+22+22+22+71	1.58	1.58	1.74	1.74	1.74	5.62	14.00 ( 3.50 - 16.50 )	3.28 ( 0.76 - 5.15 )	14.39	99
20+20+22+22+25+25	2.09	2.09	2.30	2.30	2.61	2.61	14.00 ( 3.50 - 16.50 )	3.31 ( 0.76 - 5.18 )	14.55	99
20+20+22+22+25+35	1.94	1.94	2.14	2.14	2.43	3.40	13.99 ( 3.50 - 16.50 )	3.31 ( 0.76 - 5.18 )	14.53	99
20+20+22+22+25+42	1.85	1.85	2.04	2.04	2.32	3.89	13.99 ( 3.50 - 16.50 )	3.30 ( 0.76 - 5.17 )	14.48	99
20+20+22+22+25+50	1.76	1.76	1.94	1.94	2.20	4.40	14.00 ( 3.50 - 16.50 )	3.28 ( 0.76 - 5.15 )	14.43	99
20+20+22+22+25+60	1.66	1.66	1.82	1.82	2.07	4.97	14.00 ( 3.50 - 16.50 )	3.28 ( 0.76 - 5.15 )	14.41	99
20+20+22+22+25+71	1.56	1.56	1.71	1.71	1.94	5.52	14.00 ( 3.50 - 16.50 )	3.28 ( 0.76 - 5.15 )	14.39	99
20+20+22+22+35+35	1.82	1.82	2.00	2.00	3.18	3.18	14.00 ( 3.50 - 16.50 )	3.31 ( 0.76 - 5.18 )	14.52	99
20+20+22+22+35+42	1.74	1.74	1.91	1.91	3.04	3.65	13.99 ( 3.50 - 16.50 )	3.30 ( 0.76 - 5.17 )	14.48	99
20+20+22+22+35+50	1.66	1.66	1.82	1.82	2.90	4.14	14.00 ( 3.50 - 16.50 )	3.28 ( 0.76 - 5.15 )	14.42	99
20+20+22+22+35+60	1.56	1.56	1.72	1.72	2.74	4.69	13.99 ( 3.50 - 16.50 )	3.28 ( 0.76 - 5.15 )	14.39	99
20+20+22+22+42+42	1.67	1.67	1.83	1.83	3.50	3.50	14.00 ( 3.50 - 16.50 )	3.29 ( 0.76 - 5.15 )	14.43	99
20+20+22+22+42+50	1.59	1.59	1.75	1.75	3.34	3.98	14.00 ( 3.50 - 16.50 )	3.27 ( 0.76 - 5.15 )	14.37	99
20+20+22+25+25+25	2.04	2.04	2.25	2.55	2.55	2.55	13.98 ( 3.50 - 16.50 )	3.31 ( 0.76 - 5.18 )	14.54	99
20+20+22+25+25+35	1.90	1.90	2.10	2.38	2.38	3.33	13.99 ( 3.50 - 16.50 )	3.31 ( 0.76 - 5.18 )	14.52	99
20+20+22+25+25+42	1.82	1.82	2.00	2.27	2.27	3.82	14.00 ( 3.50 - 16.50 )	3.30 ( 0.76 - 5.17 )	14.48	99
20+20+22+25+25+50	1.73	1.73	1.90	2.16	2.16	4.32	14.00 ( 3.50 - 16.50 )	3.28 ( 0.76 - 5.15 )	14.42	99
20+20+22+25+25+60	1.63	1.63	1.79	2.03	2.03	4.88	13.99 ( 3.50 - 16.50 )	3.28 ( 0.76 - 5.15 )	14.40	99
20+20+22+25+35+35	1.78	1.78	1.96	2.23	3.12	3.12	13.99 ( 3.50 - 16.50 )	3.31 ( 0.76 - 5.18 )	14.52	99
20+20+22+25+35+42	1.71	1.71	1.88	2.13	2.99	3.59	14.01 ( 3.50 - 16.50 )	3.29 ( 0.76 - 5.16 )	14.47	99
20+20+22+25+35+50	1.63	1.63	1.79	2.03	2.85	4.07	14.00 ( 3.50 - 16.50 )	3.28 ( 0.76 - 5.15 )	14.41	99
20+20+22+25+42+42	1.64	1.64	1.80	2.05	3.44	3.44	14.01 ( 3.50 - 16.50 )	3.28 ( 0.76 - 5.15 )	14.42	99
20+20+22+25+42+50	1.56	1.56	1.72	1.96	3.28	3.91	13.99 ( 3.50 - 16.50 )	3.27 ( 0.76 - 5.15 )	14.36	99
20+20+22+35+35+35	1.68	1.68	1.84	2.93	2.93	2.93	13.99 ( 3.50 - 16.50 )	3.30 ( 0.76 - 5.17 )	14.50	99
20+20+22+35+35+42	1.61	1.61	1.77	2.82	2.82	3.38	14.01 ( 3.50 - 16.50 )	3.29 ( 0.76 - 5.16 )	14.45	99
20+20+25+25+25+25	2.00	2.00	2.50	2.50	2.50	2.50	14.00 ( 3.50 - 16.50 )	3.31 ( 0.76 - 5.18 )	14.52	99
20+20+25+25+25+35	1.87	1.87	2.33	2.33	2.33	3.27	14.00 ( 3.50 - 16.50 )	3.31 ( 0.76 - 5.18 )	14.52	99
20+20+25+25+25+42	1.78	1.78	2.23	2.23	2.23	3.75	14.00 ( 3.50 - 16.50 )	3.29 ( 0.76 - 5.16 )	14.47	99
20+20+25+25+25+50	1.70	1.70	2.12	2.12	2.12	4.24	14.00 ( 3.50 - 16.50 )	3.28 ( 0.76 - 5.15 )	14.41	99
20+20+25+25+25+60	1.60	1.60	2.00	2.00	2.00	4.80	14.00 ( 3.50 - 16.50 )	3.28 ( 0.76 - 5.15 )	14.39	99
20+20+25+25+35+35	1.75	1.75	2.19	2.19	3.06	3.06	14.00 ( 3.50 - 16.50 )	3.30 ( 0.76 - 5.17 )	14.50	99
20+20+25+25+35+42	1.68	1.68	2.10	2.10	2.93	3.52	14.01 ( 3.50 - 16.50 )	3.29 ( 0.76 - 5.16 )	14.45	99
20+20+25+25+35+50	1.60	1.60	2.00	2.00	2.80	4.00	14.00 ( 3.50 - 16.50 )	3.28 ( 0.76 - 5.15 )	14.40	99
20+20+25+25+42+42	1.61	1.61	2.01	2.01	3.38	3.38	14.00 ( 3.50 - 16.50 )	3.28 ( 0.76 - 5.15 )	14.41	99
20+20+25+35+35+35	1.65	1.65	2.06	2.88	2.88	2.88	14.00 ( 3.50 - 16.50 )	3.30 ( 0.76 - 5.17 )	14.48	99

# MXZ-6D122VA HEATING

Indoor units combination	Heating Capacity (kW)							Outdoor unit power consumption (kW)	Current (A)	Power factor (%)
	Unit A	Unit B	Unit C	Unit D	Unit E	Unit F	Total			
20+20+25+35+35+42	1.58	1.58	1.98	2.77	2.77	3.32	14.00 ( 3.50 - 16.50 )	3.29 ( 0.76 - 5.16 )	14.44	99
20+20+35+35+35+35	1.56	1.56	2.72	2.72	2.72	2.72	14.00 ( 3.50 - 16.50 )	3.30 ( 0.76 - 5.17 )	14.48	99
20+22+22+22+22+22	2.15	2.37	2.37	2.37	2.37	2.37	14.00 ( 3.50 - 16.50 )	3.31 ( 0.76 - 5.18 )	14.53	99
20+22+22+22+22+25	2.11	2.32	2.32	2.32	2.32	2.63	14.02 ( 3.50 - 16.50 )	3.31 ( 0.76 - 5.18 )	14.52	99
20+22+22+22+22+35	1.96	2.15	2.15	2.15	2.15	3.43	13.99 ( 3.50 - 16.50 )	3.30 ( 0.76 - 5.17 )	14.50	99
20+22+22+22+22+42	1.87	2.05	2.05	2.05	2.05	3.92	13.99 ( 3.50 - 16.50 )	3.29 ( 0.76 - 5.16 )	14.46	99
20+22+22+22+22+50	1.77	1.95	1.95	1.95	1.95	4.43	14.00 ( 3.50 - 16.50 )	3.28 ( 0.76 - 5.15 )	14.40	99
20+22+22+22+22+60	1.67	1.83	1.83	1.83	1.83	5.00	13.99 ( 3.50 - 16.50 )	3.27 ( 0.76 - 5.15 )	14.38	99
20+22+22+22+22+71	1.56	1.72	1.72	1.72	1.72	5.55	13.99 ( 3.50 - 16.50 )	3.27 ( 0.76 - 5.15 )	14.36	99
20+22+22+22+25+25	2.06	2.26	2.26	2.26	2.57	2.57	13.98 ( 3.50 - 16.50 )	3.31 ( 0.76 - 5.18 )	14.52	99
20+22+22+22+25+35	1.92	2.11	2.11	2.11	2.40	3.36	14.01 ( 3.50 - 16.50 )	3.30 ( 0.76 - 5.17 )	14.50	99
20+22+22+22+25+42	1.83	2.01	2.01	2.01	2.29	3.84	13.99 ( 3.50 - 16.50 )	3.29 ( 0.76 - 5.16 )	14.45	99
20+22+22+22+25+50	1.74	1.91	1.91	1.91	2.17	4.35	13.99 ( 3.50 - 16.50 )	3.28 ( 0.76 - 5.15 )	14.39	99
20+22+22+22+25+60	1.64	1.80	1.80	1.80	2.05	4.91	14.00 ( 3.50 - 16.50 )	3.27 ( 0.76 - 5.15 )	14.37	99
20+22+22+22+35+35	1.79	1.97	1.97	1.97	3.14	3.14	13.98 ( 3.50 - 16.50 )	3.30 ( 0.76 - 5.17 )	14.48	99
20+22+22+22+35+42	1.72	1.89	1.89	1.89	3.01	3.61	14.01 ( 3.50 - 16.50 )	3.29 ( 0.76 - 5.16 )	14.44	99
20+22+22+22+35+50	1.64	1.80	1.80	1.80	2.87	4.09	14.00 ( 3.50 - 16.50 )	3.27 ( 0.76 - 5.15 )	14.38	99
20+22+22+22+42+42	1.65	1.81	1.81	1.81	3.46	3.46	14.00 ( 3.50 - 16.50 )	3.28 ( 0.76 - 5.15 )	14.39	99
20+22+22+22+42+50	1.57	1.73	1.73	1.73	3.30	3.93	13.99 ( 3.50 - 16.50 )	3.27 ( 0.76 - 5.15 )	14.34	99
20+22+22+25+25+25	2.01	2.22	2.22	2.52	2.52	2.52	14.01 ( 3.50 - 16.50 )	3.30 ( 0.76 - 5.17 )	14.50	99
20+22+22+25+25+35	1.88	2.07	2.07	2.35	2.35	3.29	14.01 ( 3.50 - 16.50 )	3.30 ( 0.76 - 5.17 )	14.48	99
20+22+22+25+25+42	1.79	1.97	1.97	2.24	2.24	3.77	13.98 ( 3.50 - 16.50 )	3.29 ( 0.76 - 5.16 )	14.44	99
20+22+22+25+25+50	1.71	1.88	1.88	2.13	2.13	4.27	14.00 ( 3.50 - 16.50 )	3.28 ( 0.76 - 5.15 )	14.39	99
20+22+22+25+25+60	1.61	1.77	1.77	2.01	2.01	4.83	14.00 ( 3.50 - 16.50 )	3.27 ( 0.76 - 5.15 )	14.36	99
20+22+22+25+35+35	1.76	1.94	1.94	2.20	3.08	3.08	14.00 ( 3.50 - 16.50 )	3.30 ( 0.76 - 5.17 )	14.48	99
20+22+22+25+35+42	1.69	1.86	1.86	2.11	2.95	3.54	14.01 ( 3.50 - 16.50 )	3.29 ( 0.76 - 5.15 )	14.43	99
20+22+22+25+35+50	1.61	1.77	1.77	2.01	2.82	4.02	14.00 ( 3.50 - 16.50 )	3.27 ( 0.76 - 5.15 )	14.37	99
20+22+22+25+42+42	1.62	1.78	1.78	2.02	3.40	3.40	14.00 ( 3.50 - 16.50 )	3.28 ( 0.76 - 5.15 )	14.39	99
20+22+22+35+35+35	1.66	1.82	1.82	2.90	2.90	2.90	14.00 ( 3.50 - 16.50 )	3.29 ( 0.76 - 5.16 )	14.46	99
20+22+22+35+35+42	1.59	1.75	1.75	2.78	2.78	3.34	13.99 ( 3.50 - 16.50 )	3.28 ( 0.76 - 5.15 )	14.41	99
20+22+25+25+25+25	1.97	2.17	2.46	2.46	2.46	2.46	13.98 ( 3.50 - 16.50 )	3.30 ( 0.76 - 5.17 )	14.49	99
20+22+25+25+25+35	1.84	2.03	2.30	2.30	2.30	3.22	13.99 ( 3.50 - 16.50 )	3.30 ( 0.76 - 5.17 )	14.48	99
20+22+25+25+25+42	1.76	1.94	2.20	2.20	2.20	3.70	14.00 ( 3.50 - 16.50 )	3.29 ( 0.76 - 5.15 )	14.43	99
20+22+25+25+25+50	1.68	1.84	2.10	2.10	2.10	4.19	14.01 ( 3.50 - 16.50 )	3.27 ( 0.76 - 5.15 )	14.37	99
20+22+25+25+25+60	1.58	1.74	1.98	1.98	1.98	4.75	14.01 ( 3.50 - 16.50 )	3.27 ( 0.76 - 5.15 )	14.36	99
20+22+25+25+35+35	1.73	1.90	2.16	2.16	3.02	3.02	13.99 ( 3.50 - 16.50 )	3.29 ( 0.76 - 5.16 )	14.47	99

# MXZ-6D122VA HEATING

Indoor units combination	Heating Capacity (kW)							Outdoor unit power consumption (kW)	Current (A)	Power factor (%)
	Unit A	Unit B	Unit C	Unit D	Unit E	Unit F	Total			
20+22+25+25+35+42	1.66	1.82	2.07	2.07	2.90	3.48	14.00 ( 3.50 - 16.50 )	3.28 ( 0.76 - 5.15 )	14.42	99
20+22+25+25+35+50	1.58	1.74	1.98	1.98	2.77	3.95	14.00 ( 3.50 - 16.50 )	3.27 ( 0.76 - 5.15 )	14.36	99
20+22+25+25+42+42	1.59	1.75	1.99	1.99	3.34	3.34	14.00 ( 3.50 - 16.50 )	3.27 ( 0.76 - 5.15 )	14.37	99
20+22+25+35+35+35	1.63	1.79	2.03	2.85	2.85	2.85	14.00 ( 3.50 - 16.50 )	3.29 ( 0.76 - 5.16 )	14.45	99
20+22+25+35+35+42	1.56	1.72	1.96	2.74	2.74	3.28	14.00 ( 3.50 - 16.50 )	3.28 ( 0.76 - 5.15 )	14.41	99
20+25+25+25+25+25	1.93	2.41	2.41	2.41	2.41	2.41	13.98 ( 3.50 - 16.50 )	3.30 ( 0.76 - 5.17 )	14.48	99
20+25+25+25+25+35	1.81	2.26	2.26	2.26	2.26	3.16	14.01 ( 3.50 - 16.50 )	3.29 ( 0.76 - 5.16 )	14.47	99
20+25+25+25+25+42	1.73	2.16	2.16	2.16	2.16	3.63	14.00 ( 3.50 - 16.50 )	3.28 ( 0.76 - 5.15 )	14.42	99
20+25+25+25+25+50	1.65	2.06	2.06	2.06	2.06	4.12	14.01 ( 3.50 - 16.50 )	3.27 ( 0.76 - 5.15 )	14.37	99
20+25+25+25+25+60	1.56	1.94	1.94	1.94	1.94	4.67	13.99 ( 3.50 - 16.50 )	3.27 ( 0.76 - 5.15 )	14.34	99
20+25+25+25+35+35	1.70	2.12	2.12	2.12	2.97	2.97	14.00 ( 3.50 - 16.50 )	3.29 ( 0.76 - 5.16 )	14.45	99
20+25+25+25+35+42	1.63	2.03	2.03	2.03	2.85	3.42	13.99 ( 3.50 - 16.50 )	3.28 ( 0.76 - 5.15 )	14.41	99
20+25+25+25+35+50	1.56	1.94	1.94	1.94	2.72	3.89	13.99 ( 3.50 - 16.50 )	3.27 ( 0.76 - 5.15 )	14.36	99
20+25+25+25+42+42	1.56	1.96	1.96	1.96	3.28	3.28	14.00 ( 3.50 - 16.50 )	3.27 ( 0.76 - 5.15 )	14.37	99
20+25+25+35+35+35	1.60	2.00	2.00	2.80	2.80	2.80	14.00 ( 3.50 - 16.50 )	3.29 ( 0.76 - 5.16 )	14.44	99
22+22+22+22+22+22	2.33	2.33	2.33	2.33	2.33	2.33	13.98 ( 3.50 - 16.50 )	3.30 ( 0.76 - 5.17 )	14.49	99
22+22+22+22+22+25	2.28	2.28	2.28	2.28	2.28	2.59	13.99 ( 3.50 - 16.50 )	3.30 ( 0.76 - 5.17 )	14.48	99
22+22+22+22+22+35	2.12	2.12	2.12	2.12	2.12	3.38	13.98 ( 3.50 - 16.50 )	3.29 ( 0.76 - 5.16 )	14.47	99
22+22+22+22+22+42	2.03	2.03	2.03	2.03	2.03	3.87	14.02 ( 3.50 - 16.50 )	3.28 ( 0.76 - 5.15 )	14.43	99
22+22+22+22+22+50	1.93	1.93	1.93	1.93	1.93	4.38	14.03 ( 3.50 - 16.50 )	3.27 ( 0.76 - 5.15 )	14.37	99
22+22+22+22+22+60	1.81	1.81	1.81	1.81	1.81	4.94	13.99 ( 3.50 - 16.50 )	3.27 ( 0.76 - 5.15 )	14.35	99
22+22+22+22+25+25	2.23	2.23	2.23	2.23	2.54	2.54	14.00 ( 3.50 - 16.50 )	3.30 ( 0.76 - 5.16 )	14.47	99
22+22+22+22+25+35	2.08	2.08	2.08	2.08	2.36	3.31	13.99 ( 3.50 - 16.50 )	3.29 ( 0.76 - 5.16 )	14.46	99
22+22+22+22+25+42	1.99	1.99	1.99	1.99	2.26	3.79	14.01 ( 3.50 - 16.50 )	3.28 ( 0.76 - 5.15 )	14.41	99
22+22+22+22+25+50	1.89	1.89	1.89	1.89	2.15	4.29	14.00 ( 3.50 - 16.50 )	3.27 ( 0.76 - 5.15 )	14.36	99
22+22+22+22+25+60	1.78	1.78	1.78	1.78	2.02	4.86	14.00 ( 3.50 - 16.50 )	3.26 ( 0.76 - 5.15 )	14.34	99
22+22+22+22+35+35	1.95	1.95	1.95	1.95	3.10	3.10	14.00 ( 3.50 - 16.50 )	3.29 ( 0.76 - 5.16 )	14.45	99
22+22+22+22+35+42	1.87	1.87	1.87	1.87	2.97	3.56	14.01 ( 3.50 - 16.50 )	3.28 ( 0.76 - 5.15 )	14.40	99
22+22+22+22+35+50	1.78	1.78	1.78	1.78	2.83	4.05	14.00 ( 3.50 - 16.50 )	3.27 ( 0.76 - 5.15 )	14.35	99
22+22+22+22+42+42	1.79	1.79	1.79	1.79	3.42	3.42	14.00 ( 3.50 - 16.50 )	3.27 ( 0.76 - 5.15 )	14.36	99
22+22+22+22+42+50	1.71	1.71	1.71	1.71	3.27	3.89	14.00 ( 3.50 - 16.50 )	3.26 ( 0.76 - 5.15 )	14.32	99
22+22+22+25+25+25	2.18	2.18	2.18	2.48	2.48	2.48	13.98 ( 3.50 - 16.50 )	3.29 ( 0.76 - 5.16 )	14.47	99
22+22+22+25+25+35	2.04	2.04	2.04	2.32	2.32	3.25	14.01 ( 3.50 - 16.50 )	3.29 ( 0.76 - 5.16 )	14.45	99
22+22+22+25+25+42	1.95	1.95	1.95	2.22	2.22	3.72	14.01 ( 3.50 - 16.50 )	3.28 ( 0.76 - 5.15 )	14.41	99
22+22+22+25+25+50	1.86	1.86	1.86	2.11	2.11	4.22	14.02 ( 3.50 - 16.50 )	3.27 ( 0.76 - 5.15 )	14.36	99
22+22+22+25+25+60	1.75	1.75	1.75	1.99	1.99	4.77	14.00 ( 3.50 - 16.50 )	3.26 ( 0.76 - 5.15 )	14.33	99

# MXZ-6D122VA HEATING

Indoor units combination	Heating Capacity (kW)							Outdoor unit power consumption (kW)	Current (A)	Power factor (%)
	Unit A	Unit B	Unit C	Unit D	Unit E	Unit F	Total			
22+22+22+25+35+35	1.91	1.91	1.91	2.17	3.04	3.04	13.98 ( 3.50 - 16.50 )	3.29 ( 0.76 - 5.16 )	14.44	99
22+22+22+25+35+42	1.83	1.83	1.83	2.08	2.92	3.50	13.99 ( 3.50 - 16.50 )	3.28 ( 0.76 - 5.15 )	14.39	99
22+22+22+25+35+50	1.75	1.75	1.75	1.99	2.78	3.98	14.00 ( 3.50 - 16.50 )	3.27 ( 0.76 - 5.15 )	14.34	99
22+22+22+25+42+42	1.76	1.76	1.76	2.00	3.36	3.36	14.00 ( 3.50 - 16.50 )	3.27 ( 0.76 - 5.15 )	14.36	99
22+22+22+35+35+35	1.80	1.80	1.80	2.87	2.87	2.87	14.01 ( 3.50 - 16.50 )	3.28 ( 0.76 - 5.15 )	14.43	99
22+22+22+35+35+42	1.73	1.73	1.73	2.75	2.75	3.30	13.99 ( 3.50 - 16.50 )	3.28 ( 0.76 - 5.15 )	14.39	99
22+22+25+25+25+25	2.14	2.14	2.43	2.43	2.43	2.43	14.00 ( 3.50 - 16.50 )	3.29 ( 0.76 - 5.16 )	14.45	99
22+22+25+25+25+35	2.00	2.00	2.27	2.27	2.27	3.18	13.99 ( 3.50 - 16.50 )	3.29 ( 0.76 - 5.16 )	14.44	99
22+22+25+25+25+42	1.91	1.91	2.17	2.17	2.17	3.65	13.98 ( 3.50 - 16.50 )	3.28 ( 0.76 - 5.15 )	14.40	99
22+22+25+25+25+50	1.82	1.82	2.07	2.07	2.07	4.14	13.99 ( 3.50 - 16.50 )	3.27 ( 0.76 - 5.15 )	14.34	99
22+22+25+25+25+60	1.72	1.72	1.96	1.96	1.96	4.69	14.01 ( 3.50 - 16.50 )	3.26 ( 0.76 - 5.15 )	14.32	99
22+22+25+25+35+35	1.88	1.88	2.13	2.13	2.99	2.99	14.00 ( 3.50 - 16.50 )	3.29 ( 0.76 - 5.15 )	14.43	99
22+22+25+25+35+42	1.80	1.80	2.05	2.05	2.87	3.44	14.01 ( 3.50 - 16.50 )	3.28 ( 0.76 - 5.15 )	14.39	99
22+22+25+25+35+50	1.72	1.72	1.96	1.96	2.74	3.91	14.01 ( 3.50 - 16.50 )	3.26 ( 0.76 - 5.15 )	14.33	99
22+22+25+25+42+42	1.73	1.73	1.97	1.97	3.30	3.30	14.00 ( 3.50 - 16.50 )	3.27 ( 0.76 - 5.15 )	14.34	99
22+22+25+35+35+35	1.77	1.77	2.01	2.82	2.82	2.82	14.01 ( 3.50 - 16.50 )	3.28 ( 0.76 - 5.15 )	14.42	99
22+25+25+25+25+25	2.10	2.38	2.38	2.38	2.38	2.38	14.00 ( 3.50 - 16.50 )	3.29 ( 0.76 - 5.16 )	14.45	99
22+25+25+25+25+35	1.96	2.23	2.23	2.23	2.23	3.12	14.00 ( 3.50 - 16.50 )	3.29 ( 0.76 - 5.15 )	14.43	99
22+25+25+25+25+42	1.88	2.13	2.13	2.13	2.13	3.59	13.99 ( 3.50 - 16.50 )	3.28 ( 0.76 - 5.15 )	14.39	99
22+25+25+25+25+50	1.79	2.03	2.03	2.03	2.03	4.07	13.98 ( 3.50 - 16.50 )	3.26 ( 0.76 - 5.15 )	14.33	99
22+25+25+25+35+35	1.84	2.10	2.10	2.10	2.93	2.93	14.00 ( 3.50 - 16.50 )	3.28 ( 0.76 - 5.15 )	14.42	99
22+25+25+25+35+42	1.77	2.01	2.01	2.01	2.82	3.38	14.00 ( 3.50 - 16.50 )	3.27 ( 0.76 - 5.15 )	14.37	99
22+25+25+35+35+35	1.74	1.98	1.98	2.77	2.77	2.77	14.01 ( 3.50 - 16.50 )	3.28 ( 0.76 - 5.15 )	14.41	99
25+25+25+25+25+25	2.33	2.33	2.33	2.33	2.33	2.33	13.98 ( 3.50 - 16.50 )	3.29 ( 0.76 - 5.15 )	14.43	99
25+25+25+25+25+35	2.19	2.19	2.19	2.19	2.19	3.06	14.01 ( 3.50 - 16.50 )	3.28 ( 0.76 - 5.15 )	14.42	99
25+25+25+25+25+42	2.10	2.10	2.10	2.10	2.10	3.52	14.02 ( 3.50 - 16.50 )	3.27 ( 0.76 - 5.15 )	14.38	99
25+25+25+25+25+50	2.00	2.00	2.00	2.00	2.00	4.00	14.00 ( 3.50 - 16.50 )	3.26 ( 0.76 - 5.15 )	14.33	99
25+25+25+25+35+35	2.06	2.06	2.06	2.06	2.88	2.88	14.00 ( 3.50 - 16.50 )	3.28 ( 0.76 - 5.15 )	14.41	99
25+25+25+25+35+42	1.98	1.98	1.98	1.98	2.77	3.32	14.01 ( 3.50 - 16.50 )	3.27 ( 0.76 - 5.15 )	14.37	99
25+25+25+35+35+35	1.94	1.94	1.94	2.72	2.72	2.72	13.98 ( 3.50 - 16.50 )	3.28 ( 0.76 - 5.15 )	14.40	99