

Revision L:

 • MXZ-6D122VA- E2, ER2, ET2 have been added.

OBB626 REVISED EDITION-K is void.

OUTDOOR UNIT

**No. OBB626
REVISED EDITION-L**

PARTS CATALOG

Models

MXZ-2D33VA - E1, E2, E3, ER2, ER3, ET2, ET3

MXZ-2D40VA - E1, ER2

MXZ-2D42VA - E2, E3, ER3, ET2, ET3

MXZ-2D42VA2 - E3, ET3, ER3

MXZ-2D53VA - E1, E2, E3, ER2, ER3, ET2, ET3

MXZ-2D53VA2 - E3, ET3, ER3

MXZ-2D53VAH - E1, E2, E3, ER2, ER3

MXZ-2D53VAH2 - E3

MXZ-3D54VA - E1

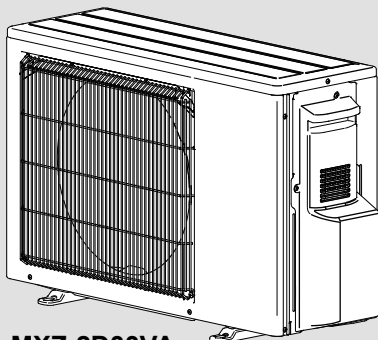
MXZ-3D54VA2 - E2, E3, ER2, ER3, ET2, ET3

MXZ-3D68VA - E1, E2, E3, ER2, ER3, ET2, ET3

MXZ-4D72VA - E1, E2, E3, ER2, ER3, ET2, ET3

MXZ-4D83VA - E1, E2, ER1, ER2, ET2

MXZ-5D102VA - E1, E2, ER1, ER2, ET2

MXZ-6D122VA - E1, E2, ER1, ER2, ET1, ET2


MXZ-2D33VA
MXZ-2D40VA
MXZ-2D42VA
MXZ-2D42VA2
MXZ-2D53VA **MXZ-2D53VAH**
MXZ-2D53VA2 **MXZ-2D53VAH2**

CONTENTS

1. RoHS PARTS LIST 3
2. OPTIONAL PARTS 30

SERVICE MANUAL (OBH626)
NOTE:

RoHS compliant products have <G> mark on the spec name plate.

Revision A:

• MXZ-3D54VA- [E1], MXZ-3D68VA- [E1], MXZ-4D72VA- [E1], MXZ-4D83VA- [E1] and MXZ-5D102VA- [E1] have been added.

Revision B:

• Outdoor control P.C. boards for MXZ-3D54VA- [E1], MXZ-3D68VA- [E1], and MXZ-4D72VA- [E1] have been changed.

Revision C:

• MXZ-4D83VA- [ER1] and MXZ-5D102VA- [ER1] have been added.

Revision D:

• MXZ-2D40VA- [ER2], MXZ-2D42VA- [E2], MXZ-2D53VAH- [E2], [ER2], MXZ-3D54VA2- [E2], [ER2] and MXZ-2D33/2D53/3D68/4D72/4D83/5D102VA- [E2], [ER2] have been added.

Revision E:

• MXZ-2D33/2D42/2D53/3D68/4D72/4D83/5D102VA- [ET2] and MXZ-3D54VA2- [ET2] have been added.

Revision F:

• MXZ-2D33/2D42/2D53VA- [E3], [ER3], [ET3], MXZ-2D53VAH- [E3], [ER3], MXZ-3D54VA2- [E3], [ER3], [ET3] and MXZ-3D68/4D72VA- [E3], [ER3], [ET3] have been added.

Revision G:

• MXZ-6D122VA- [E1], [ER1], [ET1] have been added.

Revision H:

• MXZ-2D42/2D53VA2- [E3], [ET3] and MXZ-2D53VAH2- [E3] have been added.

Revision J:

• MXZ-2D42/2D53VA2- [ER3] have been added.

Revision K:

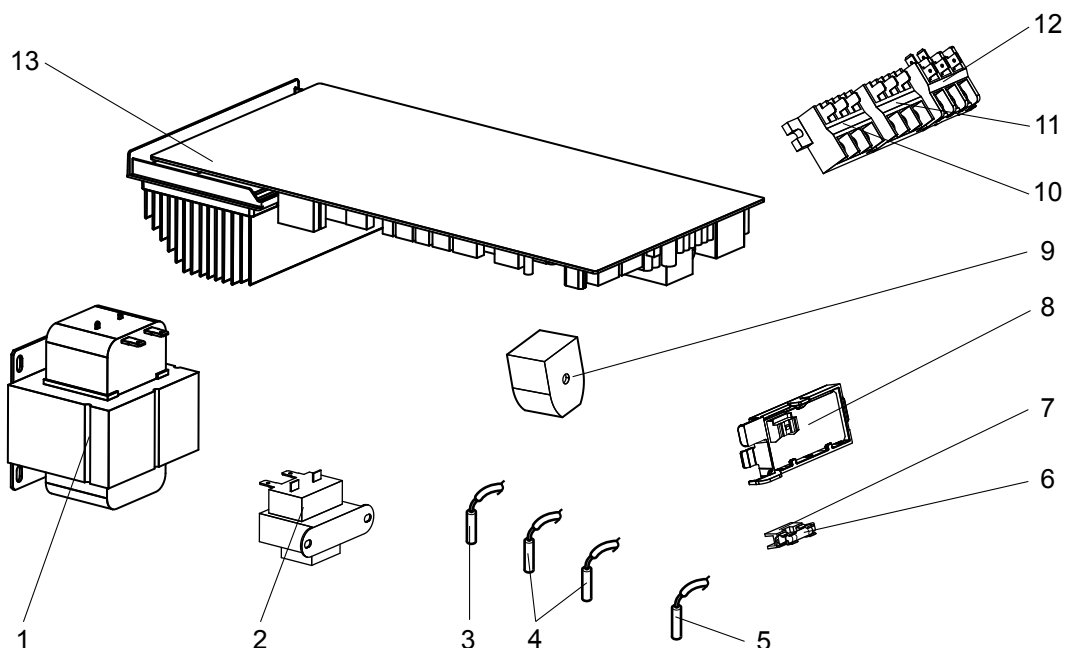
• Part Numbers of INVERTER P.C. BOARD have been changed.

Revision L:

• MXZ-6D122VA- [E2], [ER2], [ET2] have been added.

MXZ-2D33VA MXZ-2D40VA

1-1. OUTDOOR UNIT ELECTRICAL PARTS

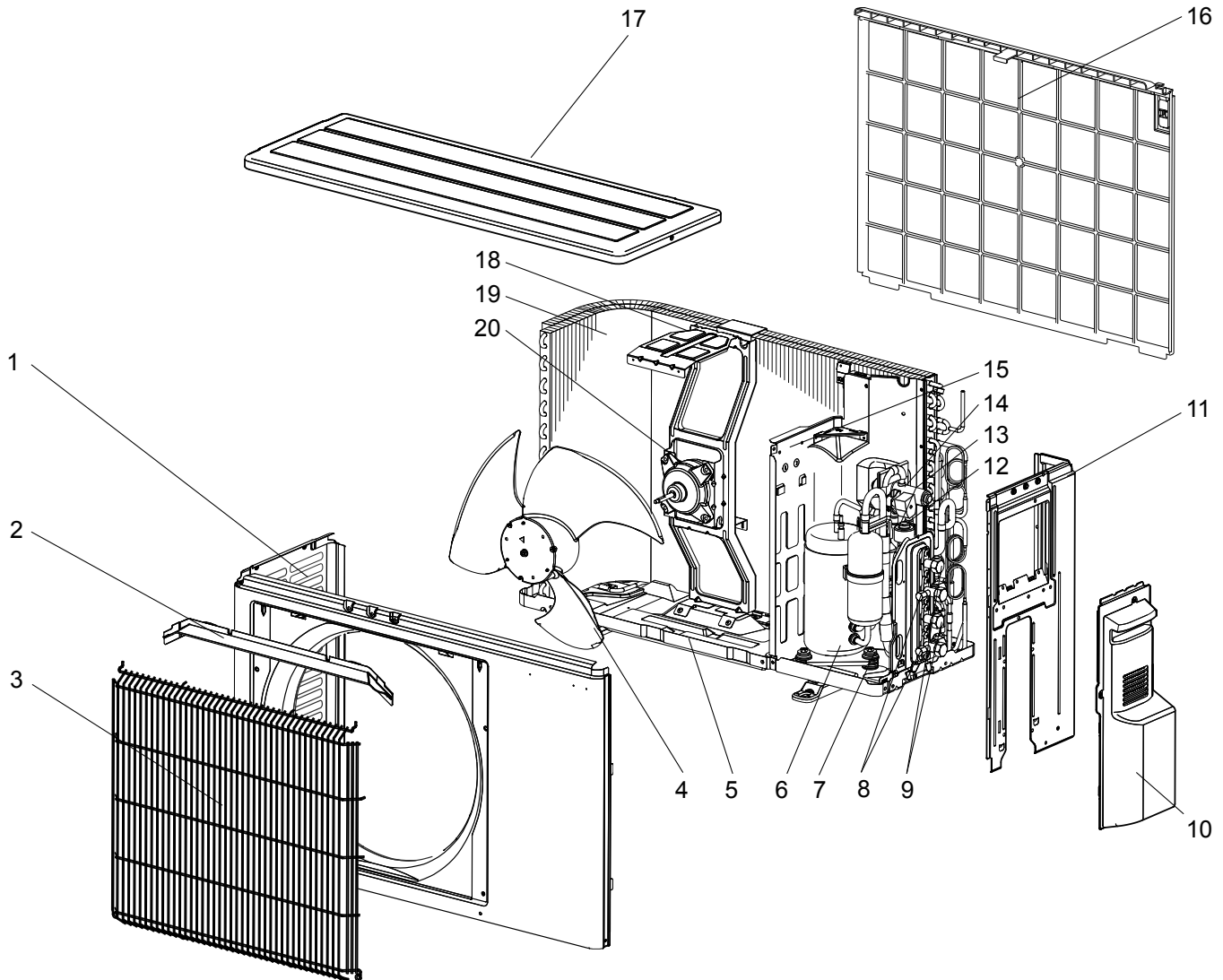


No.	RoHS	Part No.	Part Name	Symbol In Wiring Diagram	Q'ty/unit								Remarks	
					MXZ-									
					2D33VA -				2D40VA -					
					E1	E2	E3	ER2	ER3	ET2	ET3	E1		ER2
1	G	E12 G11 337	REACTOR	ACL	1	1	1	1	1	1	1	1	1	10A 23 μ H
2	G	E12 J63 337	REACTOR	ACL2	1	1	1	1	1	1	1	1	1	2A 25 μ H
3	G	E12 C34 307	OUTDOOR HEAT EXCHANGER TEMPERATURE THERMISTOR	RT68	1	1	1	1	1	1	1	1	1	
4	G	E12 J63 308	THERMISTOR SET	RT61,62	1	1	1	1	1	1	1	1	1	DEFROST, DISCHARGE
5	G	E12 J63 309	AMBIENT TEMPERATURE THERMISTOR	RT65	1	1	1	1	1	1	1	1	1	
6	G	E12 784 382	FUSE	F1			1		1		1			T3.15AL250V
7	G	E17 001 241	FUSE HOLDER				1		1		1			
8	G	E12 J63 329	OUTDOOR DISPLAY P.C. BOARD		1	1	1	1	1	1	1	1	1	
9	G	E12 A47 490	R.V. COIL	21S4	1	1	1	1	1	1	1	1	1	
10	G	E12 935 374	TERMINAL BLOCK	TB2	1	1	1	1	1	1	1	1	1	Indoor unit connecting
11	G	E12 935 374	TERMINAL BLOCK	TB3	1	1	1	1	1	1	1	1	1	
12	G	E12 F29 374	TERMINAL BLOCK	TB1	1	1	1	1	1	1	1	1	1	Power supply
13	G	E12 N43 451	INVERTER P.C. BOARD		1	1		1		1				Including heat sink and RT64
	G	E12 R27 451	INVERTER P.C. BOARD				1		1		1			
	G	E12 N68 451	INVERTER P.C. BOARD									1	1	

RoHS PARTS LIST (RoHS compliant)

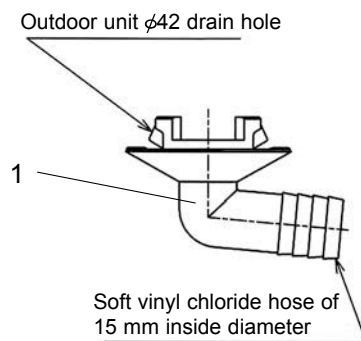
MXZ-2D33VA MXZ-2D40VA

1-2. OUTDOOR UNIT STRUCTURAL PARTS AND FUNCTIONAL PARTS



MXZ-2D33VA MXZ-2D40VA

1-3. DRAIN SOCKET



No.	RoHS	Part No.	Part Name	Symbol In Wiring Diagram	Q'ty/unit								Remarks	
					MXZ-									
					2D33VA -				2D40VA -					
					E1	E2	E3	ER2	ER3	ET2	ET3	E1		ER2
1	G	E12 838 704	DRAIN SOCKET		1	1	1	1	1	1	1	1	1	

RoHS PARTS LIST (RoHS compliant)

MXZ-2D33VA MXZ-2D40VA

1-2. OUTDOOR UNIT STRUCTURAL PARTS AND FUNCTIONAL PARTS

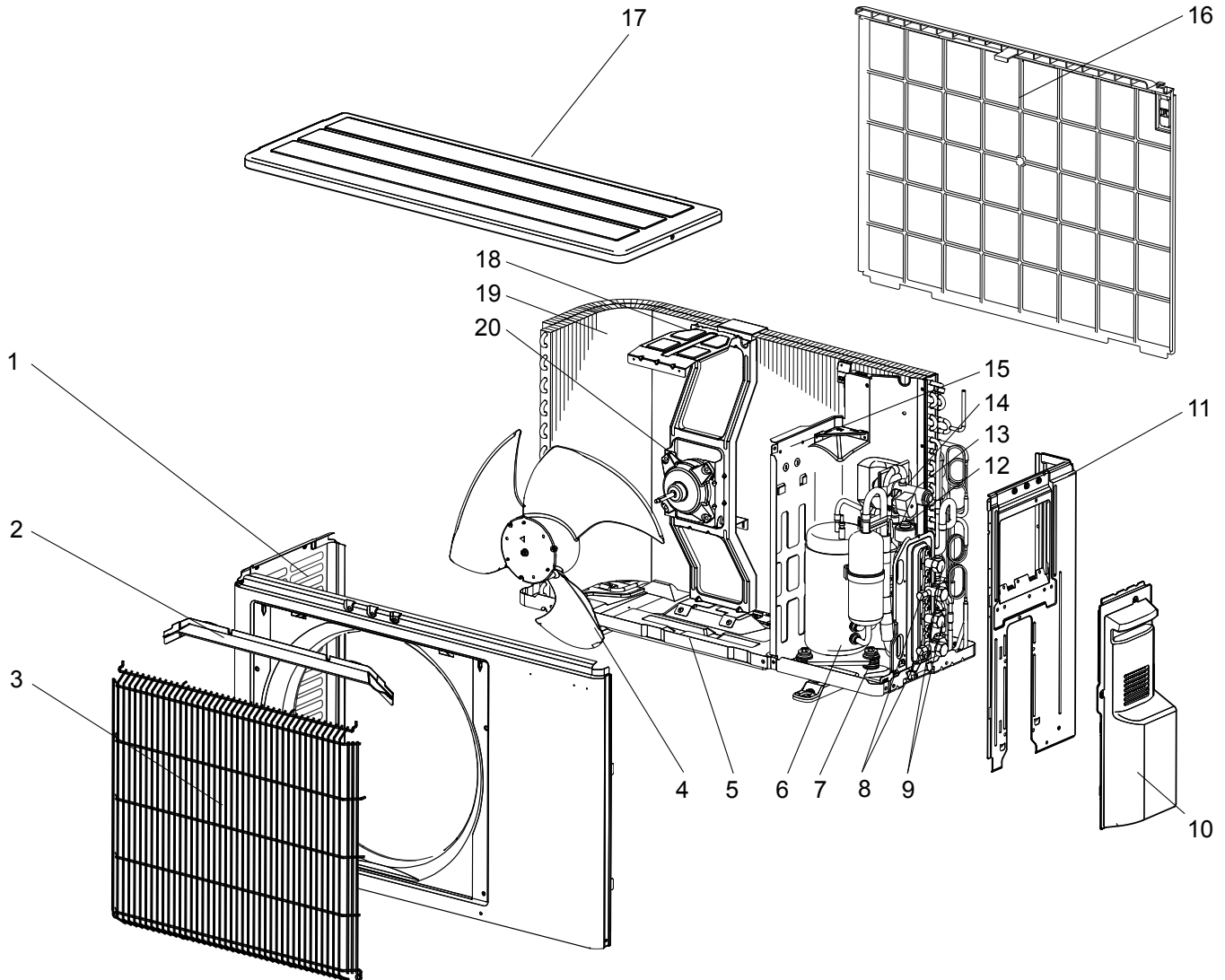
Part numbers that are circled are not shown in the illustration.

No.	RoHS	Part No.	Part Name	Symbol In Wiring Diagram	Q'ty/unit								Remarks	
					MXZ-									
					2D33VA -						2D40VA -			
					E1	E2	E3	ER2	ER3	ET2	ET3	E1		ER2
1	G	E12 J63 232	CABINET		1	1	1	1	1	1	1			
	G	E12 J64 232	CABINET									1	1	
2	G	E12 J63 531	ICE GUARD		1	1	1	1	1	1	1	1	1	
3	G	E12 J63 521	GRILLE		1	1	1	1	1	1	1	1	1	
4	G	E12 927 501	PROPELLER FAN		1	1	1	1	1	1	1	1	1	
5	G	E12 J63 290	BASE		1	1	1	1	1	1	1			
	G	E12 J64 290	BASE									1	1	
6	G	E12 D69 900	COMPRESSOR	MC	1	1	1	1	1	1	1			KNB073FFDHC
	G	E12 F24 900	COMPRESSOR	MC								1	1	KNB092FFDHC
7	G	E12 065 506	COMPRESSOR RUBBER SET		3	3	3	3	3	3	3	3	3	3 RUBBERS/SET
8	G	E12 927 661	STOP VALVE (GAS) 3/8		2	2	2	2	2	2	2	2	2	Ø9.52
9	G	E12 927 662	STOP VALVE (LIQUID) 1/4		2	2	2	2	2	2	2	2	2	Ø6.35
10	G	E12 J63 245	SERVICE PANEL		1	1	1	1	1	1	1	1	1	
11	G	E12 J63 233	BACK PANEL		1	1	1	1	1	1	1	1	1	
12	G	E12 735 640	EXPANSION VALVE		1	1	1	1	1	1	1	1	1	ROOM B
13	G	E12 F25 493	EXPANSION VALVE COIL	LEV B	1	1	1	1	1	1	1	1	1	
14	G	E12 927 961	4-WAY VALVE		1	1	1	1	1	1	1	1	1	
15	G	E12 G10 293	SEPARATOR		1	1	1	1	1	1	1			
	G	E12 G11 293	SEPARATOR									1	1	
16	G	E12 G04 523	CONDENSER NET		1	1	1	1	1	1	1			
	G	E12 G05 523	CONDENSER NET									1	1	
17	G	E12 J63 297	TOP PANEL		1	1	1	1	1	1	1	1	1	
18	G	E12 927 515	MOTOR SUPPORT		1	1	1	1	1	1	1			
	G	E12 929 515	MOTOR SUPPORT									1	1	
19	G	E12 G04 630	OUTDOOR HEAT EXCHANGER		1	1	1	1	1	1	1			
	G	E12 G05 630	OUTDOOR HEAT EXCHANGER									1	1	
20	G	E12 G11 301	OUTDOOR FAN MOTOR	MF	1	1	1	1	1	1	1	1	1	RC0J50-□□
⑳	G	E12 339 936	CAPILLARY TUBE									4	4	Ø3.0 × Ø1.4 × 600
	G	E12 838 936	CAPILLARY TUBE		2	2	2	2	2	2	2	2	2	Ø3.0 × Ø2.0 × 200
㉑	G	E12 735 640	EXPANSION VALVE		1	1	1	1	1	1	1	1	1	ROOM A
㉒	G	E12 F24 493	EXPANSION VALVE COIL	LEV A	1	1	1	1	1	1	1	1	1	

RoHS PARTS LIST (RoHS compliant)

MXZ-2D42VA MXZ-2D42VA2

1-4. OUTDOOR UNIT STRUCTURAL PARTS AND FUNCTIONAL PARTS



RoHS PARTS LIST (RoHS compliant)

MXZ-2D42VA MXZ-2D42VA2

1-4. OUTDOOR UNIT STRUCTURAL PARTS AND FUNCTIONAL PARTS

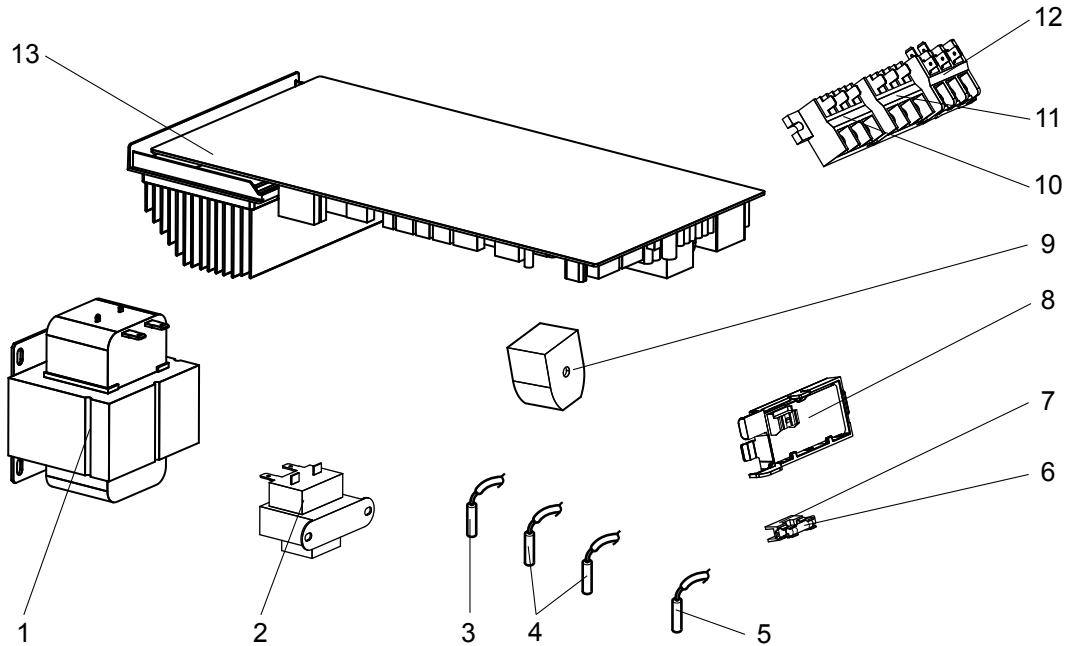
Part numbers that are circled are not shown in the illustration.

No.	RoHS	Part No.	Part Name	Symbol In Wiring Diagram	Q'ty/unit									Remarks
					MXZ-									
					2D42VA -					2D42VA2 -				
					E2	E3	ER3	ET2	ET3	E3	ER3	ET3		
1	G	E12 J63 232	CABINET		1	1	1	1	1	1	1	1		
2	G	E12 J63 531	ICE GUARD		1	1	1	1	1	1	1	1		
3	G	E12 J63 521	GRILLE		1	1	1	1	1	1	1	1		
4	G	E12 927 501	PROPELLER FAN		1	1	1	1	1	1	1	1		
5	G	E12 J63 290	BASE		1	1	1	1	1	1	1	1		
6	G	E12 E05 900	COMPRESSOR	MC	1	1	1	1	1	1	1	1	SNB130FGBHT	
7	G	E12 C34 506	COMPRESSOR RUBBER SET		3	3	3	3	3	3	3	3	3 RUBBERS/SET	
8	G	E12 927 661	STOP VALVE (GAS) 3/8		2	2	2	2	2	2	2	2	Ø9.52	
9	G	E12 927 662	STOP VALVE (LIQUID) 1/4		2	2	2	2	2	2	2	2	Ø6.35	
10	G	E12 J63 245	SERVICE PANEL		1	1	1	1	1	1	1	1		
11	G	E12 J63 233	BACK PANEL		1	1	1	1	1	1	1	1		
12	G	E12 735 640	EXPANSION VALVE		1	1	1	1	1	1	1	1	ROOM B	
13	G	E12 F25 493	EXPANSION VALVE COIL	LEV B	1	1	1	1	1	1	1	1		
14	G	E12 A47 961	4-WAY VALVE		1	1	1	1	1	1	1	1		
15	G	E12 G11 293	SEPARATOR		1	1	1	1	1	1	1	1		
16	G	E12 G06 523	CONDENSER NET		1	1	1	1	1	1	1	1		
17	G	E12 J63 297	TOP PANEL		1	1	1	1	1	1	1	1		
18	G	E12 929 515	MOTOR SUPPORT		1	1	1	1	1					
	G	E12 R50 515							1	1	1			
19	G	E12 G06 630	OUTDOOR HEAT EXCHANGER		1	1	1	1	1	1	1	1		
20	G	E12 G11 301	OUTDOOR FAN MOTOR	MF	1	1	1	1	1	1	1	1	RC0J50-□□	
⑳	G	E12 339 936	CAPILLARY TUBE		4	4	4	4	4	4	4	4	Ø3.0 × Ø1.4 × 600	
	G	E12 838 936	CAPILLARY TUBE		2	2	2	2	2	2	2	2	Ø3.0 × Ø2.0 × 200	
㉑	G	E12 735 640	EXPANSION VALVE		1	1	1	1	1	1	1	1	ROOM A	
㉒	G	E12 F24 493	EXPANSION VALVE COIL	LEV A	1	1	1	1	1	1	1	1		

RoHS PARTS LIST (RoHS compliant)

MXZ-2D42VA MXZ-2D42VA2

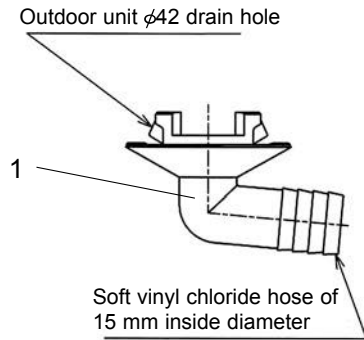
1-5. OUTDOOR UNIT ELECTRICAL PARTS



No.	RoHS	Part No.	Part Name	Symbol In Wiring Diagram	Q'ty/unit									Remarks
					MXZ-									
					2D42VA -					2D42VA2 -				
					E2	E3	ER3	ET2	ET3	E3	ER3	ET3		
1	G	E12 G11 337	REACTOR	ACL	1	1	1	1	1	1	1	1	10A 23μH	
2	G	E12 J63 337	REACTOR	ACL2	1	1	1	1	1	1	1	1	2A 25μH	
3	G	E12 C34 307	OUTDOOR HEAT EXCHANGER TEMPERATURE THERMISTOR	RT68	1	1	1	1	1	1	1	1		
4	G	E12 J63 308	THERMISTOR SET	RT61,62	1	1	1	1	1	1	1	1	DEFROST, DISCHARGE	
5	G	E12 J63 309	AMBIENT TEMPERATURE THERMISTOR	RT65	1	1	1	1	1	1	1	1		
6	G	E12 784 382	FUSE	F1		1	1		1	1	1	1	T3.15AL250V	
7	G	E17 001 241	FUSE HOLDER			1	1		1	1	1	1		
8	G	E12 J63 329	OUTDOOR DISPLAY P.C. BOARD		1	1	1	1	1	1	1	1		
9	G	E12 A47 490	R.V. COIL	21S4	1	1	1	1	1	1	1	1		
10	G	E12 935 374	TERMINAL BLOCK	TB2	1	1	1	1	1	1	1	1	Indoor unit connecting	
11	G	E12 935 374	TERMINAL BLOCK	TB3	1	1	1	1	1	1	1	1		
12	G	E12 F29 374	TERMINAL BLOCK	TB1	1	1	1	1	1	1	1	1	Power supply	
13	G	E12 N45 451	INVERTER P.C. BOARD		1			1					Including heat sink and RT64	
	G	E12 R30 451	INVERTER P.C. BOARD			1	1		1					
	G	E12 W53 451	INVERTER P.C. BOARD							1	1	1		

RoHS PARTS LIST (RoHS compliant)

MXZ-2D42VA MXZ-2D42VA2
1-6. DRAIN SOCKET

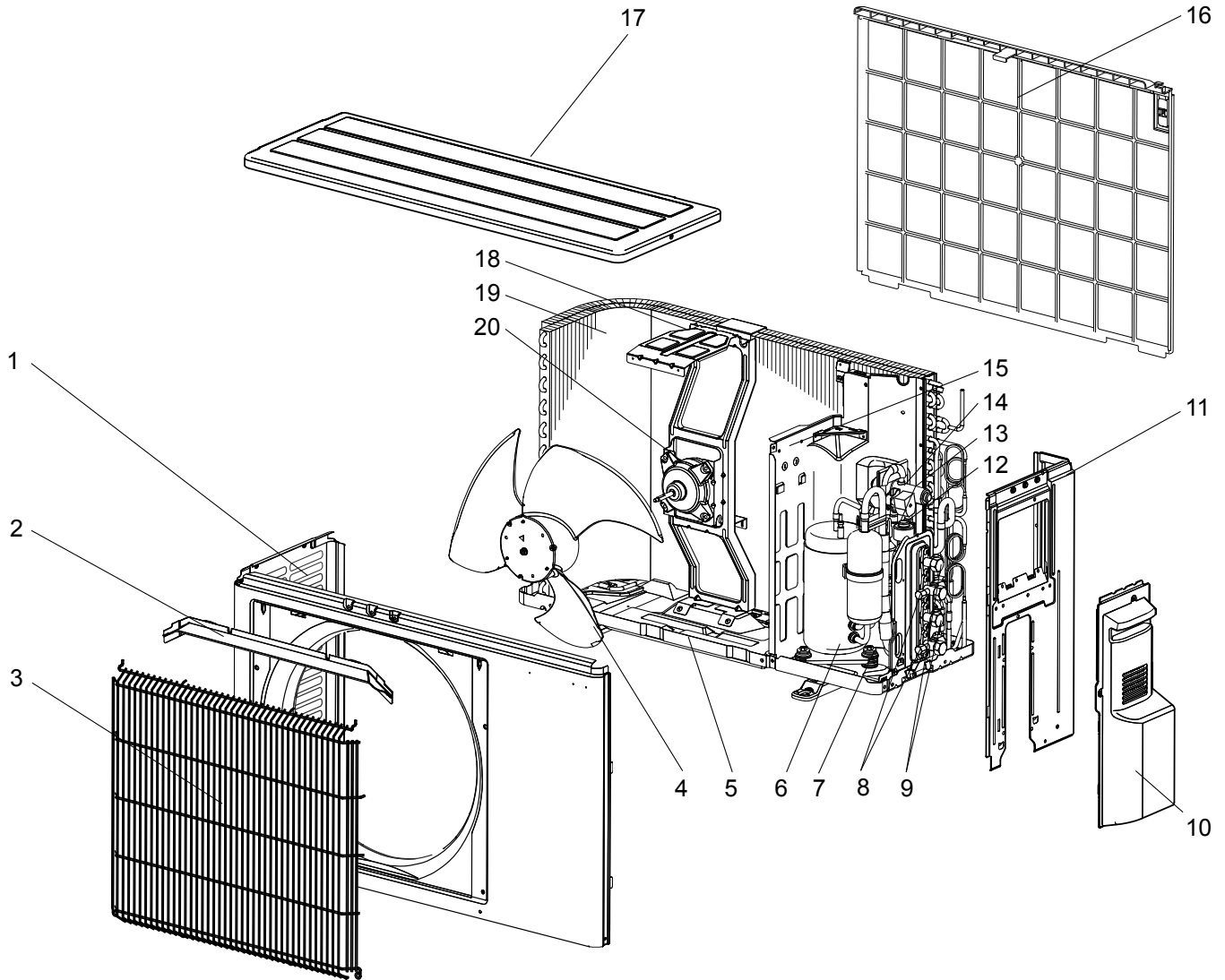


No.	RoHS	Part No.	Part Name	Symbol In Wiring Diagram	Q'ty/unit									Remarks
					MXZ-									
					2D42VA -					2D42VA2 -				
					E2	E3	ER3	ET2	ET3	E3	ER3	ET3		
1	G	E12 838 704	DRAIN SOCKET		1	1	1	1	1	1	1	1	1	

RoHS PARTS LIST (RoHS compliant)

MXZ-2D53VA MXZ-2D53VA2

1-7. OUTDOOR UNIT STRUCTURAL PARTS AND FUNCTIONAL PARTS



RoHS PARTS LIST (RoHS compliant)

MXZ-2D53VA MXZ-2D53VA2

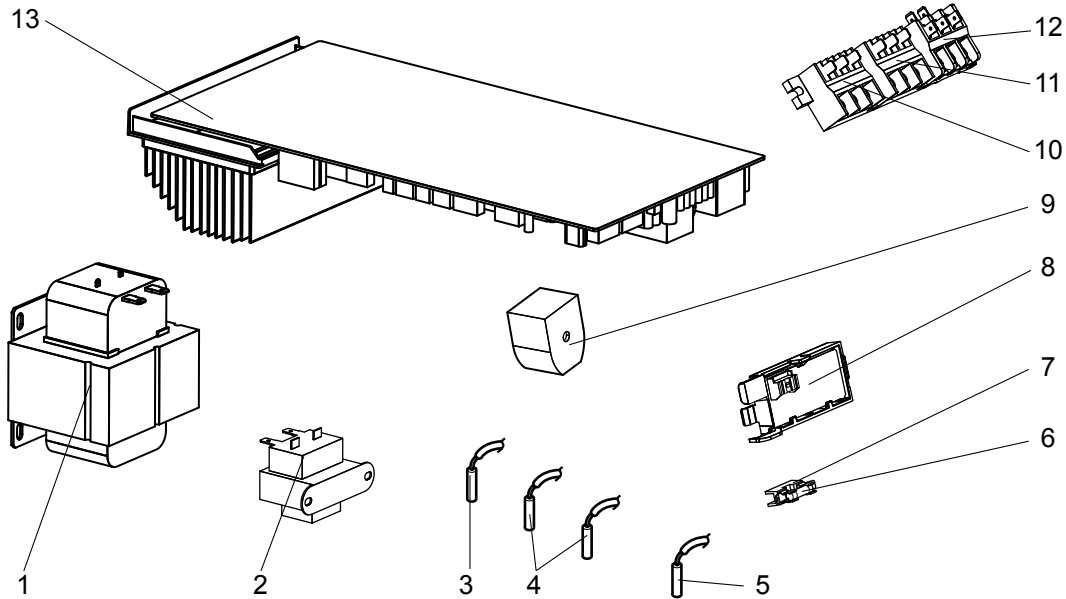
1-7. OUTDOOR UNIT STRUCTURAL PARTS AND FUNCTIONAL PARTS

Part numbers that are circled are not shown in the illustration.

No.	RoHS	Part No.	Part Name	Symbol In Wiring Diagram	Q'ty/unit									Remarks		
					MXZ-											
					2D53VA -						2D53VA2 -					
					E1	E2	E3	ER2	ER3	ET2	ET3	E3	ER3		ET3	
1	G	E12 J63 232	CABINET		1	1	1	1	1	1	1	1	1	1	1	
2	G	E12 J63 531	ICE GUARD		1	1	1	1	1	1	1	1	1	1	1	
3	G	E12 J63 521	GRILLE		1	1	1	1	1	1	1	1	1	1	1	
4	G	E12 927 501	PROPELLER FAN		1	1	1	1	1	1	1	1	1	1	1	
5	G	E12 J63 290	BASE		1	1	1	1	1	1	1	1	1	1	1	
6	G	E12 E05 900	COMPRESSOR	MC	1	1	1	1	1	1	1	1	1	1	1	SNB130FGBHT
7	G	E12 C34 506	COMPRESSOR RUBBER SET		3	3	3	3	3	3	3	3	3	3	3	3 RUBBERS/SET
8	G	E12 927 661	STOP VALVE (GAS) 3/8		2	2	2	2	2	2	2	2	2	2	2	Ø9.52
9	G	E12 927 662	STOP VALVE (LIQUID) 1/4		2	2	2	2	2	2	2	2	2	2	2	Ø6.35
10	G	E12 J63 245	SERVICE PANEL		1	1	1	1	1	1	1	1	1	1	1	
11	G	E12 J63 233	BACK PANEL		1	1	1	1	1	1	1	1	1	1	1	
12	G	E12 735 640	EXPANSION VALVE		1	1	1	1	1	1	1	1	1	1	1	ROOM B
13	G	E12 F25 493	EXPANSION VALVE COIL	LEV B	1	1	1	1	1	1	1	1	1	1	1	
14	G	E12 A47 961	4-WAY VALVE		1	1	1	1	1	1	1	1	1	1	1	
15	G	E12 G11 293	SEPARATOR		1	1	1	1	1	1	1	1	1	1	1	
16	G	E12 G06 523	CONDENSER NET		1	1	1	1	1	1	1	1	1	1	1	
17	G	E12 J63 297	TOP PANEL		1	1	1	1	1	1	1	1	1	1	1	
18	G	E12 929 515	MOTOR SUPPORT		1	1	1	1	1	1	1					
	G	E12 R50 515										1	1	1		
19	G	E12 G06 630	OUTDOOR HEAT EXCHANGER		1	1	1	1	1	1	1	1	1	1	1	
20	G	E12 G11 301	OUTDOOR FAN MOTOR	MF	1	1	1	1	1	1	1	1	1	1	1	RC0J50-□□
⑳	G	E12 339 936	CAPILLARY TUBE		4	4	4	4	4	4	4	4	4	4	4	Ø3.0 × Ø1.4 × 600
	G	E12 838 936	CAPILLARY TUBE		2	2	2	2	2	2	2	2	2	2	2	Ø3.0 × Ø2.0 × 200
㉑	G	E12 735 640	EXPANSION VALVE		1	1	1	1	1	1	1	1	1	1	1	ROOM A
㉒	G	E12 F24 493	EXPANSION VALVE COIL	LEV A	1	1	1	1	1	1	1	1	1	1	1	

RoHS PARTS LIST (RoHS compliant)

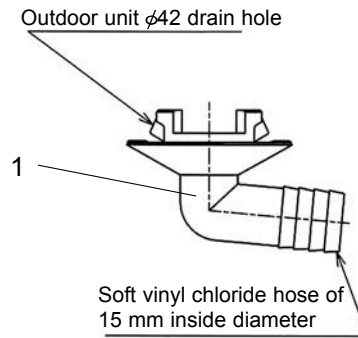
MXZ-2D53VA MXZ-2D53VA2 1-8. OUTDOOR UNIT ELECTRICAL PARTS



No.	RoHS	Part No.	Part Name	Symbol In Wiring Diagram	Q'ty/unit												Remarks
					MXZ-												
					2D53VA -						2D53VA2 -						
					E1	E2	E3	ER2	ER3	ET2	ET3	E3	ER3	ET3			
1	G	E12 G11 337	REACTOR	ACL	1	1	1	1	1	1	1	1	1	1	1	10A 23μH	
2	G	E12 J63 337	REACTOR	ACL2	1	1	1	1	1	1	1	1	1	1	1	2A 25μH	
3	G	E12 C34 307	OUTDOOR HEAT EXCHANGER TEMPERATURE THERMISTOR	RT68	1	1	1	1	1	1	1	1	1	1	1		
4	G	E12 J63 308	THERMISTOR SET	RT61,62	1	1	1	1	1	1	1	1	1	1	1	DEFROST, DISCHARGE	
5	G	E12 J63 309	AMBIENT TEMPERATURE THERMISTOR	RT65	1	1	1	1	1	1	1	1	1	1	1		
6	G	E12 784 382	FUSE	F1			1		1		1	1	1	1	1	T3.15AL250V	
7	G	E17 001 241	FUSE HOLDER				1		1		1	1	1	1	1		
8	G	E12 J63 329	OUTDOOR DISPLAY P.C. BOARD		1	1	1	1	1	1	1	1	1	1	1		
9	G	E12 A47 490	R.V. COIL	21S4	1	1	1	1	1	1	1	1	1	1	1		
10	G	E12 935 374	TERMINAL BLOCK	TB2	1	1	1	1	1	1	1	1	1	1	1	Indoor unit connecting	
11	G	E12 935 374	TERMINAL BLOCK	TB3	1	1	1	1	1	1	1	1	1	1	1		
12	G	E12 F29 374	TERMINAL BLOCK	TB1	1	1	1	1	1	1	1	1	1	1	1	Power supply	
13	G	E12 P58 451	INVERTER P.C. BOARD		1	1		1		1						Including heat sink and RT64	
	G	E12 R33 451	INVERTER P.C. BOARD				1		1		1						
	G	E12 W58 451	INVERTER P.C. BOARD									1	1	1			

RoHS PARTS LIST (RoHS compliant)

MXZ-2D53VA MXZ-2D53VA2
1-9. DRAIN SOCKET

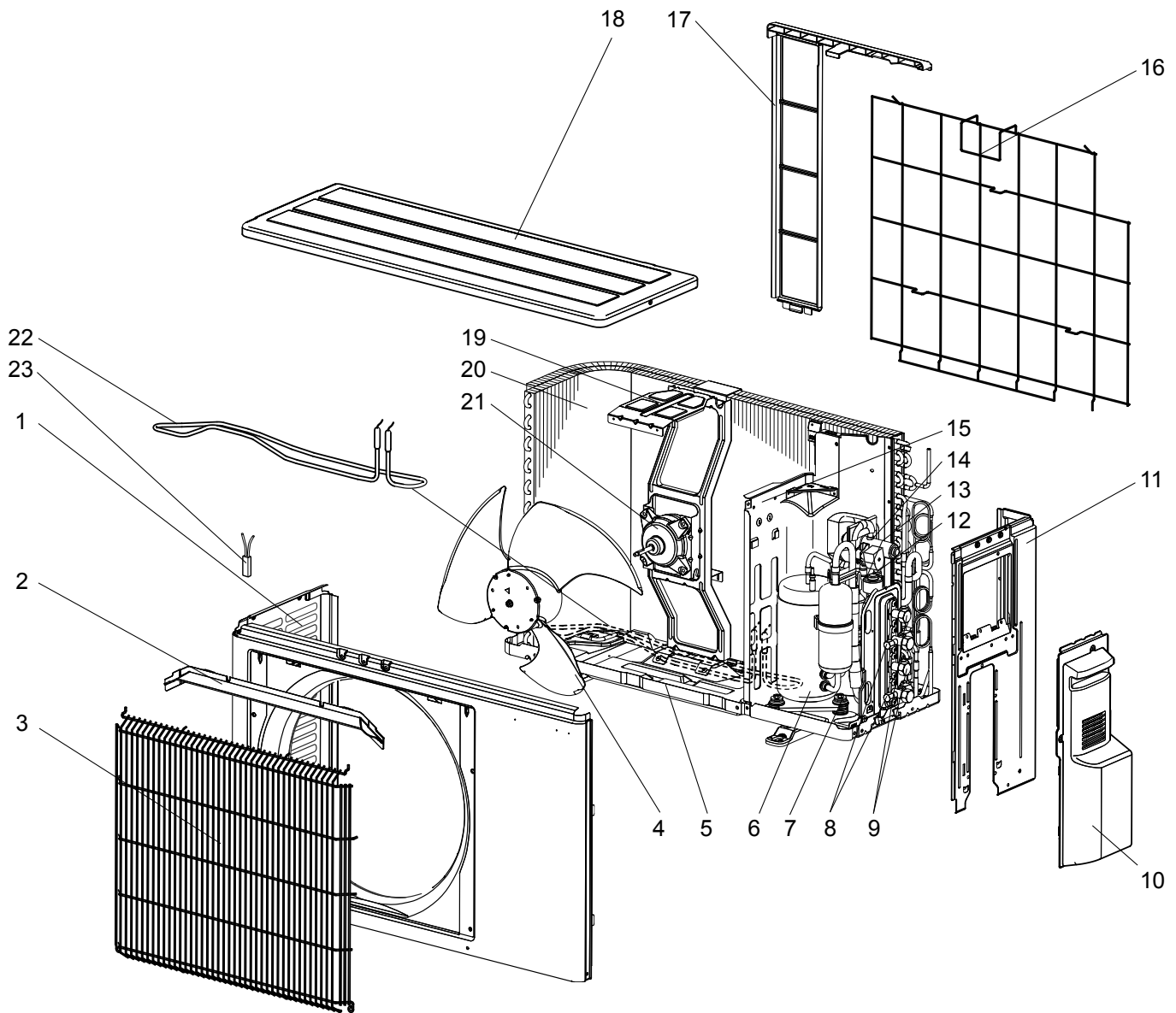


No.	RoHS	Part No.	Part Name	Symbol In Wiring Diagram	Q'ty/unit									Remarks	
					MXZ-										
					2D53VA -						2D53VA2 -				
					E1	E2	E3	ER2	ER3	ET2	ET3	E3	ER3		ET3
1	G	E12 838 704	DRAIN SOCKET		1	1	1	1	1	1	1	1	1	1	

RoHS PARTS LIST (RoHS compliant)

MXZ-2D53VAH MXZ-2D53VAH2

1-10. OUTDOOR UNIT STRUCTURAL PARTS AND FUNCTIONAL PARTS



RoHS PARTS LIST (RoHS compliant)

MXZ-2D53VAH MXZ-2D53VAH2

1-10. OUTDOOR UNIT STRUCTURAL PARTS AND FUNCTIONAL PARTS

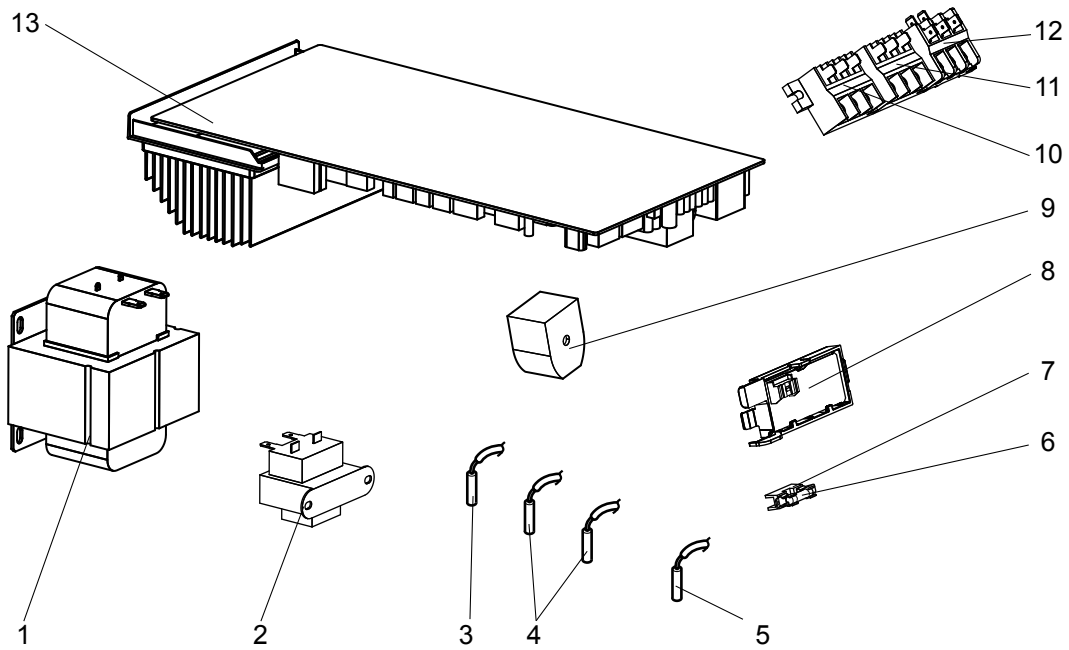
Part numbers that are circled are not shown in the illustration.

No.	RoHS	Part No.	Part Name	Symbol In Wiring Diagram	Q'ty/unit						Remarks
					MXZ-						
					2D53VAH -					2D53VAH2 -	
					E1	E2	E3	ER2	ER3	E3	
1	G	E12 J63 232	CABINET		1	1	1	1	1	1	
2	G	E12 J63 531	ICE GUARD		1	1	1	1	1	1	
3	G	E12 J63 521	GRILLE		1	1	1	1	1	1	
4	G	E12 927 501	PROPELLER FAN		1	1	1	1	1	1	
5	G	E12 J66 290	BASE		1	1	1	1	1	1	
6	G	E12 E05 900	COMPRESSOR	MC	1	1	1	1	1	1	SNB130FGBHT
7	G	E12 C34 506	COMPRESSOR RUBBER SET		3	3	3	3	3	3	3 RUBBERS/SET
8	G	E12 927 661	STOP VALVE (GAS) 3/8		2	2	2	2	2	2	Ø9.52
9	G	E12 927 662	STOP VALVE (LIQUID) 1/4		2	2	2	2	2	2	Ø6.35
10	G	E12 J63 245	SERVICE PANEL		1	1	1	1	1	1	
11	G	E12 J63 233	BACK PANEL		1	1	1	1	1	1	
12	G	E12 735 640	EXPANSION VALVE		1	1	1	1	1	1	ROOM B
13	G	E12 F25 493	EXPANSION VALVE COIL	LEV B	1	1	1	1	1	1	
14	G	E12 A47 961	4-WAY VALVE		1	1	1	1	1	1	
15	G	E12 G14 293	SEPARATOR		1	1	1	1	1	1	
16	G	E12 930 525	CONDENSER WIRE NET		1	1	1	1	1	1	
17	G	E12 930 523	CONDENSER NET		1	1	1	1	1	1	
18	G	E12 J63 297	TOP PANEL		1	1	1	1	1	1	
19	G	E12 929 515	MOTOR SUPPORT		1	1	1	1	1		
	G	E12 R50 515							1		
20	G	E12 G06 630	OUTDOOR HEAT EXCHANGER		1	1	1	1	1	1	
21	G	E12 G11 301	OUTDOOR FAN MOTOR	MF	1	1	1	1	1	1	RC0J50-□□
22	G	E12 C36 526	DEFROST HEATER	H	1	1	1	1	1	1	
23	G	E12 C36 381	HEATER PROTECTOR	26H	1	1	1	1	1	1	
24	G	E12 339 936	CAPILLARY TUBE		4	4	4	4	4	4	Ø3.0 × Ø1.4 × 600
	G	E12 838 936	CAPILLARY TUBE		2	2	2	2	2	2	Ø3.0 × Ø2.0 × 200
25	G	E12 735 640	EXPANSION VALVE		1	1	1	1	1	1	ROOM A
26	G	E12 F24 493	EXPANSION VALVE COIL	LEV A	1	1	1	1	1	1	

RoHS PARTS LIST (RoHS compliant)

MXZ-2D53VAH MXZ-2D53VAH2

1-11. OUTDOOR UNIT ELECTRICAL PARTS



RoHS PARTS LIST (RoHS compliant)

MXZ-2D53VAH MXZ-2D53VAH2

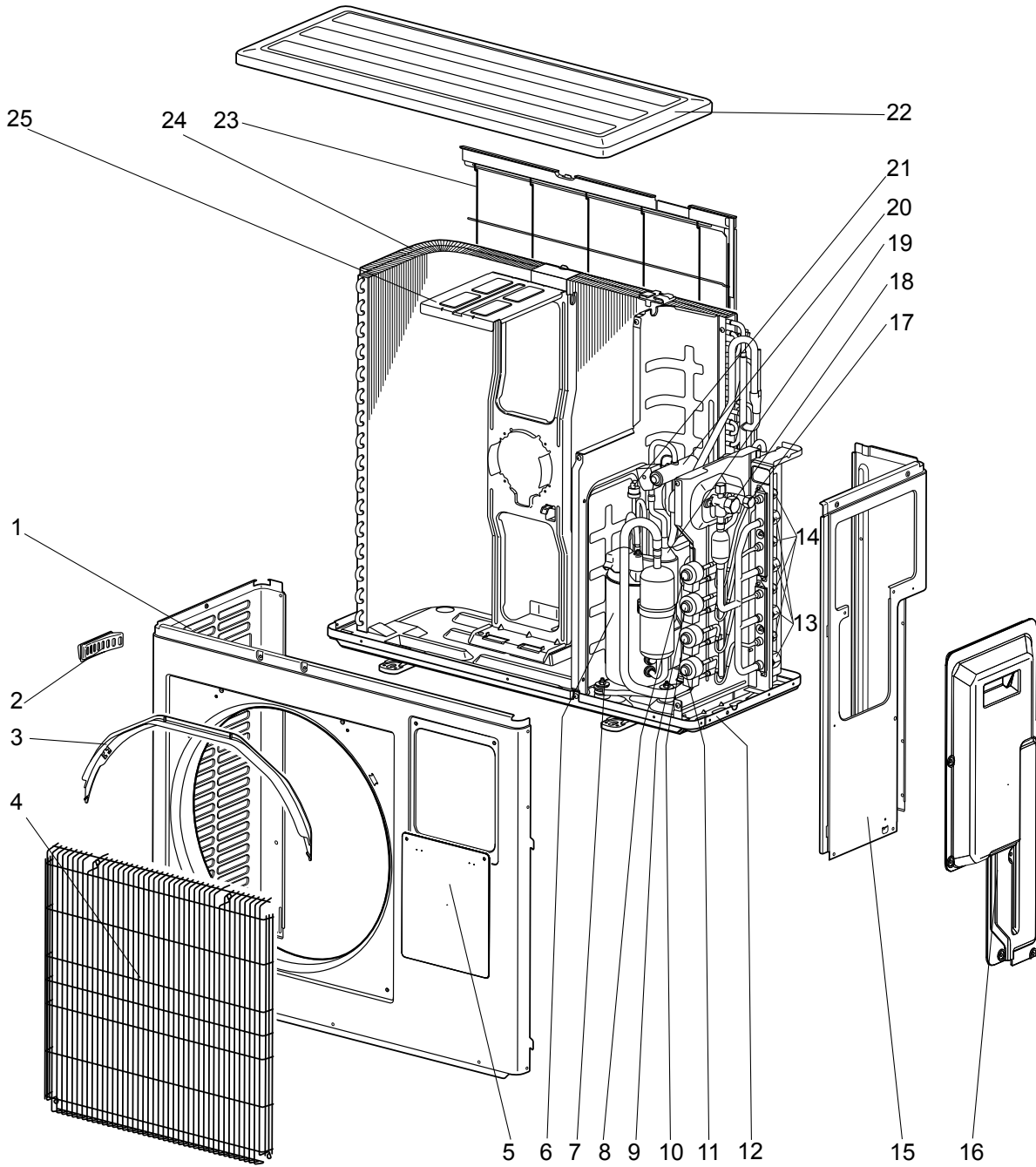
1-11. OUTDOOR UNIT ELECTRICAL PARTS

No.	RoHS	Part No.	Part Name	Symbol In Wiring Diagram	Q'ty/unit						Remarks
					MXZ-						
					2D53VAH -			2D53VAH2 -			
					E1	E2	E3	ER2	ER3	E3	
1	G	E12 G11 337	REACTOR	ACL	1	1	1	1	1	1	10A 23μH
2	G	E12 J63 337	REACTOR	ACL2	1	1	1	1	1	1	2A 25μH
3	G	E12 C34 307	OUTDOOR HEAT EXCHANGER TEMPERATURE THERMISTOR	RT68	1	1	1	1	1	1	
4	G	E12 J63 308	THERMISTOR SET	RT61,62	1	1	1	1	1	1	DEFROST, DISCHARGE
5	G	E12 J63 309	AMBIENT TEMPERATURE THERMISTOR	RT65	1	1	1	1	1	1	
6	G	E12 784 382	FUSE	F1			1		1	1	T3.15AL250V
7	G	E17 001 241	FUSE HOLDER				1		1	1	
8	G	E12 J63 329	OUTDOOR DISPLAY P.C. BOARD		1	1	1	1	1	1	
9	G	E12 A47 490	R.V. COIL	21S4	1	1	1	1	1	1	
10	G	E12 935 374	TERMINAL BLOCK	TB2	1	1	1	1	1	1	Indoor unit connecting
11	G	E12 935 374	TERMINAL BLOCK	TB3	1	1	1	1	1	1	
12	G	E12 F29 374	TERMINAL BLOCK	TB1	1	1	1	1	1	1	Power supply
13	G	E12 N49 451	INVERTER P.C. BOARD		1	1		1			Including heat sink and RT64
	G	E12 R36 451	INVERTER P.C. BOARD				1		1		
	G	E12 W60 451	INVERTER P.C. BOARD							1	

RoHS PARTS LIST

MXZ-3D54VA MXZ-3D54VA2 MXZ-3D68VA MXZ-4D72VA

1-12. OUTDOOR UNIT STRUCTURAL PARTS AND FUNCTIONAL PARTS



RoHS PARTS LIST

MXZ-3D54VA MXZ-3D54VA2 MXZ-3D68VA MXZ-4D72VA

1-12. OUTDOOR UNIT STRUCTURAL PARTS AND FUNCTIONAL PARTS

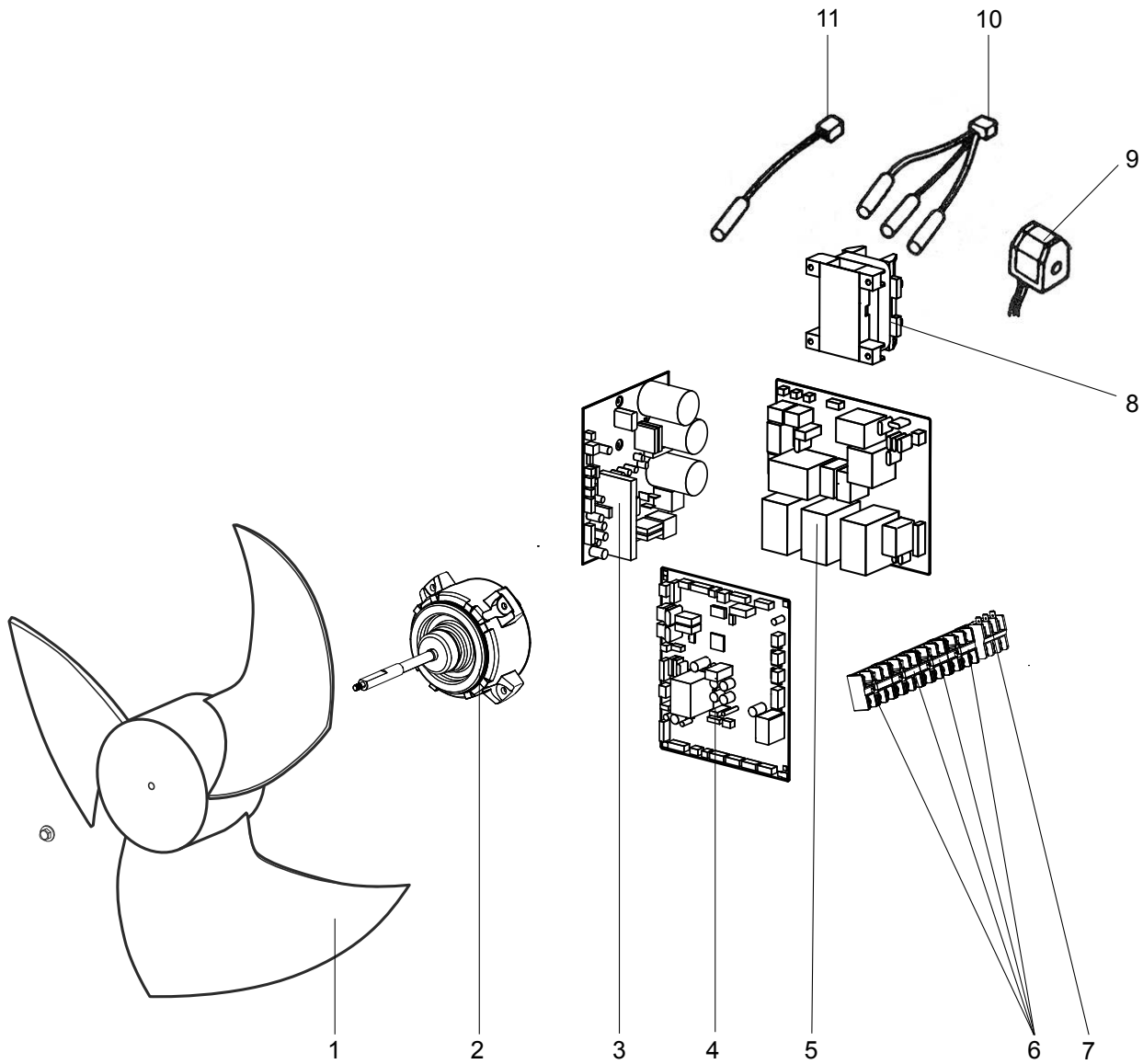
Part numbers that are circled are not shown in the illustration.

No.	RoHS	Part No.	Part Name	Symbol In Wiring Diagram	Q'ty/unit																								Remarks
					MXZ-																								
					3D54VA -						3D54VA2 -						3D68VA -						4D72VA -						
					E1	E2	E3	ER2	ER3	ET2	ET3	E1	E2	E3	ER2	ER3	ET2	ET3	E1	E2	E3	ER2	ER3	ET2	ET3	E1	E2	E3	
1	G	E12 J69 232	CABINET		1	1	1	1	1	1	1	1	1	1	1	1	1	1	1	1	1	1	1	1	1	1	1		
2	G	E12 817 009	HANDLE		1	1	1	1	1	1	1	1	1	1	1	1	1	1	1	1	1	1	1	1	1	1	1		
3	G	E12 J69 531	ICE GUARD		1	1	1	1	1	1	1	1	1	1	1	1	1	1	1	1	1	1	1	1	1	1	1		
4	G	E12 J69 521	GRILLE		1	1	1	1	1	1	1	1	1	1	1	1	1	1	1	1	1	1	1	1	1	1	1		
5	G	E12 D36 246	SUB PANEL		1	1	1	1	1	1	1	1	1	1	1	1	1	1	1	1	1	1	1	1	1	1	1		
6	G	E12 F22 900	COMPRESSOR	MC													1	1	1	1	1	1	1	1	1	1	1	SNB172FEGH1T	
	G	E12 F10 900	COMPRESSOR	MC	1	1	1	1	1	1	1																	SNB130FGBH1T	
7	G	E12 C34 506	COMPRESSOR RUBBER SET		3	3	3	3	3	3	3	3	3	3	3	3	3	3	3	3	3	3	3	3	3	3	3	3 RUBBERS SET	
8	G	E12 851 640	EXPANSION VALVE																									D room	
	G	E12 F21 493	LEV COIL	LEV D																								D room	
9	G	E12 851 640	EXPANSION VALVE		1	1	1	1	1	1	1	1	1	1	1	1	1	1	1	1	1	1	1	1	1	1	1	C room	
	G	E12 F20 493	LEV COIL	LEV C	1	1	1	1	1	1	1	1	1	1	1	1	1	1	1	1	1	1	1	1	1	1	1	C room	
10	G	E12 851 640	EXPANSION VALVE		1	1	1	1	1	1	1	1	1	1	1	1	1	1	1	1	1	1	1	1	1	1	1	B room	
	G	E12 F54 493	LEV COIL	LEV B	1	1	1	1	1	1	1	1	1	1	1	1	1	1	1	1	1	1	1	1	1	1	1	B room	
11	G	E12 851 640	EXPANSION VALVE		1	1	1	1	1	1	1	1	1	1	1	1	1	1	1	1	1	1	1	1	1	1	1	A room	
	G	E12 F15 493	LEV COIL	LEV A, LEV E	2	2	2	2	2	2	2	2	2	2	2	2	2	2	2	2	2	2	2	2	2	2	2	A, room, LEV E	
12	G	E12 J69 290	BASE		1	1	1	1	1	1	1	1	1	1	1	1	1	1	1	1	1	1	1	1	1	1	1		
13	G	E12 D36 666	UNION (GAS)		3	3	3	3	3	3	3	3	3	3	3	3	3	3	3	3	3	3	3	3	3	3	3	Ø9.52	
	G	E12 D37 666	UNION (GAS)																									Ø12.7	
14	G	E12 D36 667	UNION (LIQUID)		3	3	3	3	3	3	3	3	3	3	3	3	3	3	3	3	3	3	3	3	3	3	3	Ø6.35	
15	G	E12 J69 233	BACK PANEL		1	1	1	1	1	1																			
	G	E12 J70 233	BACK PANEL																										
16	G	E12 J69 245	SERVICE PANEL		1	1	1	1	1	1	1	1	1	1	1	1	1	1	1	1	1	1	1	1	1	1	1		
17	G	E12 D36 662	STOP VALVE (LIQUID) 3/8		1	1	1	1	1	1	1	1	1	1	1	1	1	1	1	1	1	1	1	1	1	1	1	Ø9.52	
18	G	E12 D36 661	STOP VALVE (GAS) 5/8		1	1	1	1	1	1	1	1	1	1	1	1	1	1	1	1	1	1	1	1	1	1	1	Ø15.88	
19	G	E12 J69 299	OIL SEPARATOR		1	1	1	1	1	1	1	1	1	1	1	1	1	1	1	1	1	1	1	1	1	1	1		
20	G	E12 C18 961	4-WAY VALVE		1	1	1	1	1	1	1	1	1	1	1	1	1	1	1	1	1	1	1	1	1	1	1		
21	G	E12 853 646	HIGH PRESSURE SWITCH	HPS													1	1	1	1	1	1	1	1	1	1	1		
	G	E12 R24 646	HIGH PRESSURE SWITCH	HPS																									
22	G	E12 819 297	TOP PANEL		1	1	1	1	1	1	1	1	1	1	1	1	1	1	1	1	1	1	1	1	1	1	1		
23	G	E12 J69 523	REAR GUARD		1	1	1	1	1	1	1	1	1	1	1	1	1	1	1	1	1	1	1	1	1	1	1		
24	G	E12 939 630	OUTDOOR HEAT EXCHANGER		1	1		1		1		1		1		1		1		1		1		1		1			
	G	E12 R24 630	OUTDOOR HEAT EXCHANGER																										
25	G	E12 J69 515	MOTOR SUPPORT		1	1	1	1	1	1	1	1	1	1	1	1	1	1	1	1	1	1	1	1	1	1	1		
26	G	E12 938 937	CAPILLARY TUBE		8	8	8	8	8	8	8	8	8	8	8	8	8	8	8	8	8	8	8	8	8	8	8	Ø3.6 × Ø2.4 × 500	
27	G	E12 939 936	CAPILLARY TUBE		3	3	3	3	3	3	3	3	3	3	3	3	3	3	3	3	3	3	3	3	3	3	3	Ø4.0 × Ø2.8 × 100	
28	G	E12 938 936	CAPILLARY TUBE		1	1	1	1	1	1	1	1	1	1	1	1	1	1	1	1	1	1	1	1	1	1	1	Ø2.5 × Ø0.6 × 1000	
29	G	E12 C18 959	POWER RECEIVER		1	1	1	1	1	1	1	1	1	1	1	1	1	1	1	1	1	1	1	1	1	1	1		
30	G	E12 853 640	EXPANSION VALVE		1	1	1	1	1	1	1	1	1	1	1	1	1	1	1	1	1	1	1	1	1	1	1	E	

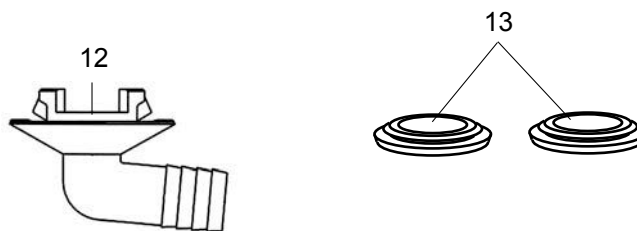
RoHS PARTS LIST (RoHS compliant)

MXZ-3D54VA MXZ-3D54VA2 MXZ-3D68VA MXZ-4D72VA

1-13. OUTDOOR UNIT FUNCTIONAL PARTS AND ELECTRICAL PARTS



1-14. ACCESSORY



RoHS PARTS LIST (RoHS compliant)

MXZ-3D54VA MXZ-3D54VA2 MXZ-3D68VA MXZ-4D72VA

1-13. OUTDOOR UNIT FUNCTIONAL PARTS AND ELECTRICAL PARTS

No.	RoHS	Part No.	Part Name	Symbol In Wiring Diagram	Q'ty/unit																								Remarks
					MXZ-																								
					3D54VA -						3D54VA2 -						3D68VA -						4D72VA -						
E1	E2	E3	ER2	ER3	ET2	ET3	E1	E2	E3	ER2	ER3	ET2	ET3	E1	E2	E3	ER2	ER3	ET2	ET3	E1	E2	E3	ER2	ER3	ET2	ET3		
1	G	E12 851 501	PROPELLER FAN		1	1	1	1	1	1	1	1	1	1	1	1	1	1	1	1	1	1	1	1	1	1	1		
2	G	E12 J69 301	OUTDOOR FAN MOTOR	MF	1	1	1	1	1	1	1	1	1	1	1	1	1	1	1	1	1	1	1	1	1	1	1	SIC-71FW-F764-1	
3	G	E12 J69 440	OUTDOOR POWER P.C. BOARD		1	1	1	1	1	1	1	1	1	1	1	1	1	1	1	1	1	1	1	1	1	1	1	Including heat sink and RT64	
4	G	E12 N50 450	OUTDOOR CONTROL P.C. BOARD		1	1		1	1																				
	G	E12 R38 450	OUTDOOR CONTROL P.C. BOARD				1	1	1																				
	G	E12 N52 450	OUTDOOR CONTROL P.C. BOARD								1	1		1	1														
	G	E12 R41 450	OUTDOOR CONTROL P.C. BOARD										1	1	1														
	G	E12 N54 450	OUTDOOR CONTROL P.C. BOARD															1	1		1	1							
	G	E12 R44 450	OUTDOOR CONTROL P.C. BOARD																	1	1		1						
5	G	E12 J69 444	NOISE FILTER P.C. BOARD		1	1	1	1	1	1	1	1	1	1	1	1	1	1	1	1	1	1	1	1	1	1	1		
6	G	E12 C92 375	TERMINAL BLOCK	TB2~5	3	3	3	3	3	3	3	3	3	3	3	3	3	3	3	3	3	3	3	3	3	3	Indoor unit connecting		
7	G	E12 G07 374	TERMINAL BLOCK	TB1	1	1	1	1	1	1	1	1	1	1	1	1	1	1	1	1	1	1	1	1	1	1	Power supply		
8	G	E12 938 337	REACTOR	L	1	1	1	1	1	1	1	1	1	1	1	1	1	1	1	1	1	1	1	1	1	1	20A 600μH		
9	G	E12 J69 490	R.V. COIL	21S4	1	1	1	1	1	1	1	1	1	1	1	1	1	1	1	1	1	1	1	1	1	1			
10	G	E12 J69 308	THERMISTOR SET	RT61,62,68	1	1	1	1	1	1	1	1	1	1	1	1	1	1	1	1	1	1	1	1	1	1	DEFROST, DISCHARGE, OUTDOOR HEAT EXCHANGER		
11	G	E12 J69 309	AMBIENT TEMPERATURE THERMISTOR	RT65	1	1	1	1	1	1	1	1	1	1	1	1	1	1	1	1	1	1	1	1	1	1			

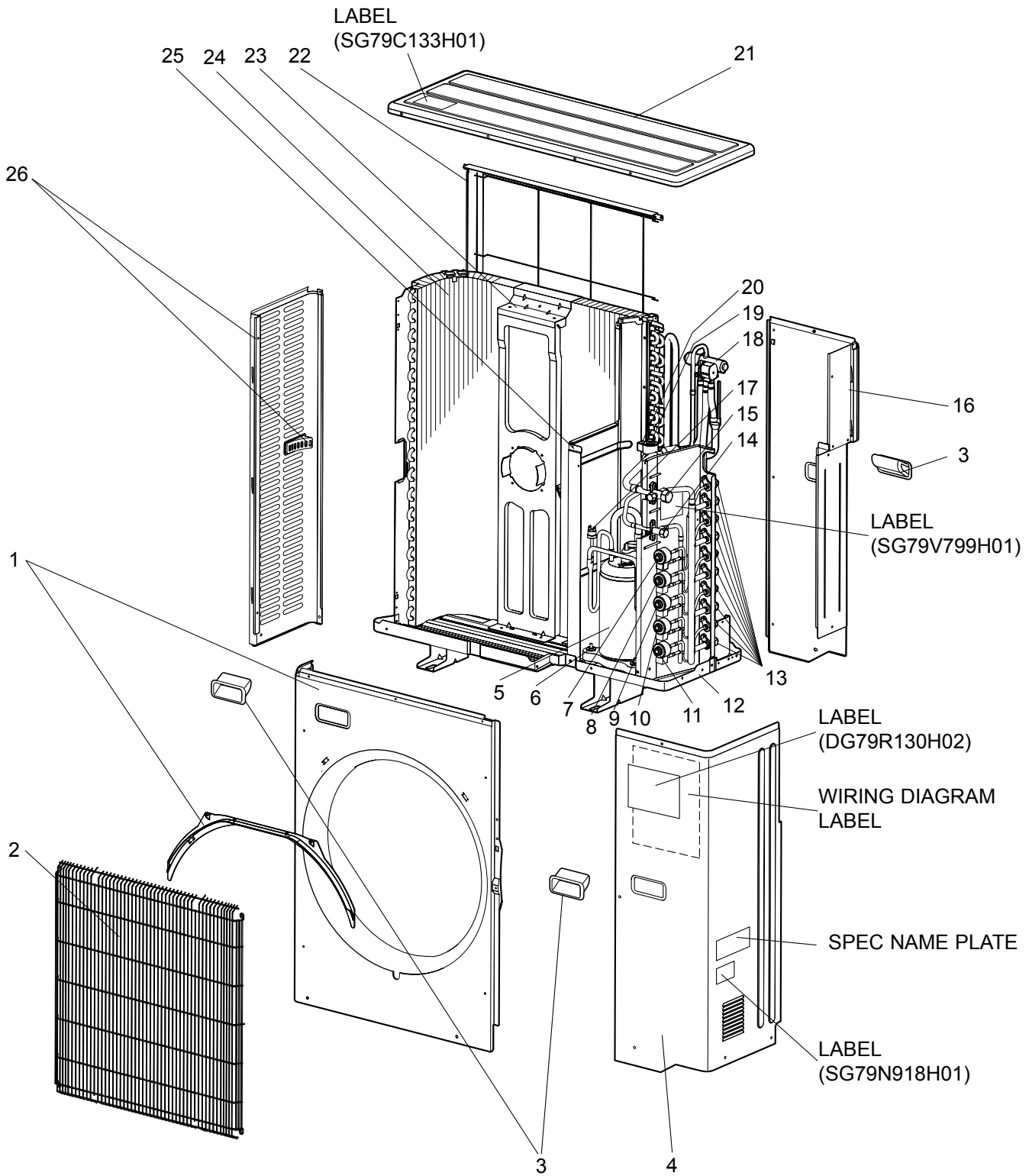
1-14. ACCESSORY

No.	RoHS	Part No.	Part Name	Symbol In Wiring Diagram	Q'ty/unit																								Remarks
					MXZ-																								
					3D54VA -						3D54VA2 -						3D68VA -						4D72VA -						
E1	E2	E3	ER2	ER3	ET2	ET3	E1	E2	E3	ER2	ER3	ET2	ET3	E1	E2	E3	ER2	ER3	ET2	ET3	E1	E2	E3	ER2	ER3	ET2	ET3		
12	G	E12 817 704	DRAIN SOCKET		1	1	1	1	1	1	1	1	1	1	1	1	1	1	1	1	1	1	1	1	1	1			
13	G	E12 444 705	DRAIN CAP		2	2	2	2	2	2	2	2	2	2	2	2	2	2	2	2	2	2	2	2	2	2			

RoHS PARTS LIST

MXZ-4D83VA MXZ-5D102VA

1-15. OUTDOOR UNIT STRUCTURAL PARTS AND FUNCTIONAL PARTS



RoHS PARTS LIST

MXZ-4D83VA MXZ-5D102VA

1-15. OUTDOOR UNIT STRUCTURAL PARTS AND FUNCTIONAL PARTS

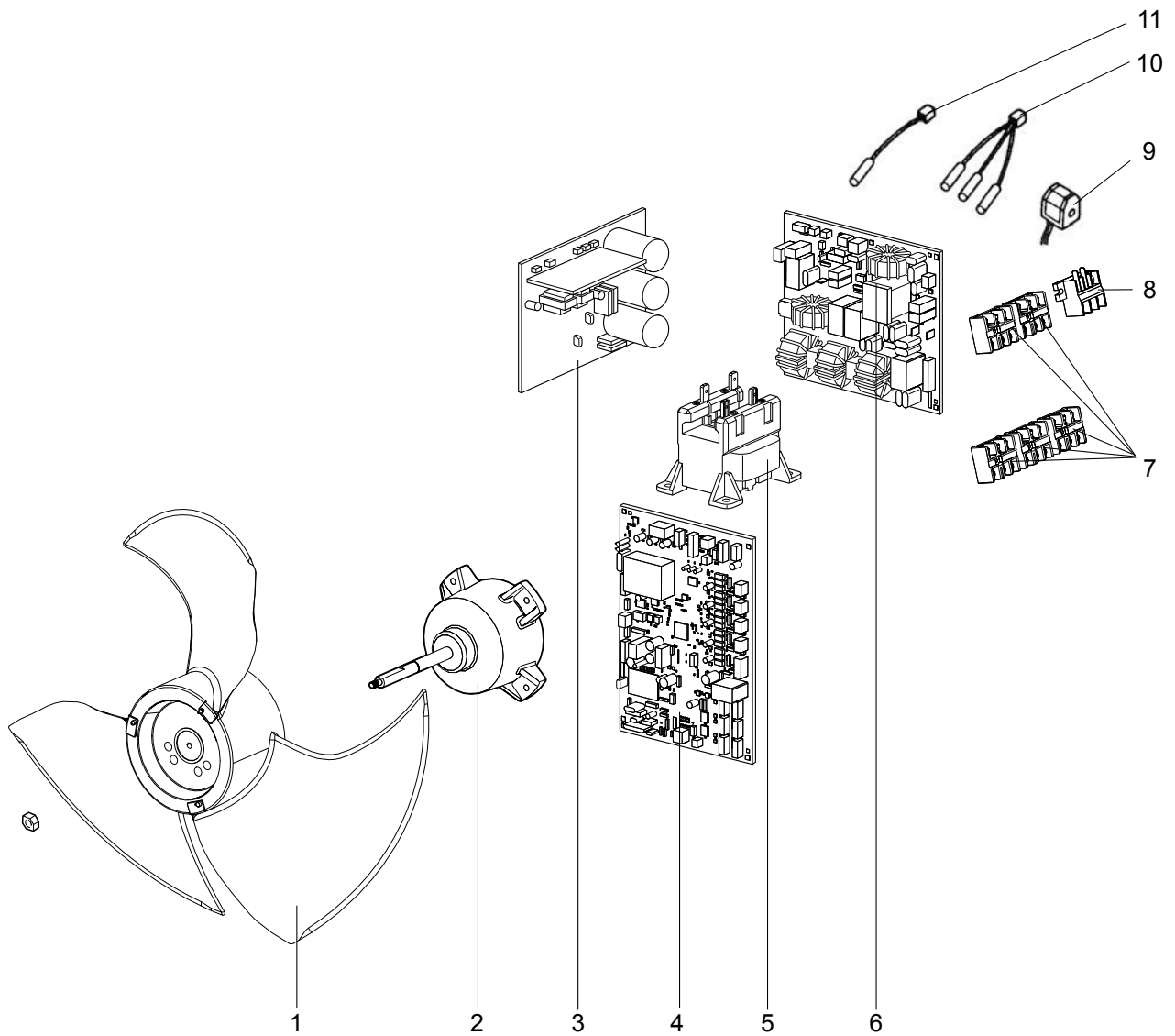
Part numbers that are circled are not shown in the illustration.

No.	RoHS	Part No.	Part Name	Symbol In Wiring Diagram	Q'ty/unit										Remarks							
					MXZ-																	
					4D83VA -					5D102VA -												
E1	E2	ER1	ER2	ET2	E1	E2	ER1	ER2	ET2													
1	G	M21 EAA 232	FRONT PANEL		1	1	1	1	1	1	1	1	1	1	1	1	1	1	1	1	1	Including grille roof
2	G	M21 EA5 521	GRILLE		1	1	1	1	1	1	1	1	1	1	1	1	1	1	1	1	1	
3	G	M21 0A2 027	HANDLE ASSEMBLY		3	3	3	3	3	3	3	3	3	3	3	3	3	3	3	3	3	
4	G	M21 EA1 245	SERVICE PANEL		1	1	1	1	1	1	1	1	1	1	1	1	1	1	1	1	1	Without LABEL
5	G	T92 505 801	COMPRESSOR	MC	1	1	1	1	1	1	1	1	1	1	1	1	1	1	1	1	1	TNB220FMCH
6	G	M21 L2V 505	COMPRESSOR RUBBER SET		3	3	3	3	3	3	3	3	3	3	3	3	3	3	3	3	3	3RUBBERS SET
7	G	M21 L2V 401	EXPANSION VALVE							1	1	1	1	1	1	1	1	1	1	1	1	E room
	G	M21 9T4 655	LEV COIL	LEV E						1	1	1	1	1	1	1	1	1	1	1	1	E room
8	G	M21 L2V 401	EXPANSION VALVE		1	1	1	1	1	1	1	1	1	1	1	1	1	1	1	1	1	D room
	G	M21 9T4 654	LEV COIL	LEV D	1	1	1	1	1	1	1	1	1	1	1	1	1	1	1	1	1	D room
9	G	M21 L2V 401	EXPANSION VALVE		1	1	1	1	1	1	1	1	1	1	1	1	1	1	1	1	1	C room
	G	M21 9T4 653	LEV COIL	LEV C	1	1	1	1	1	1	1	1	1	1	1	1	1	1	1	1	1	C room
10	G	M21 L2V 401	EXPANSION VALVE		1	1	1	1	1	1	1	1	1	1	1	1	1	1	1	1	1	B room
	G	M21 9T4 652	LEV COIL	LEV B	1	1	1	1	1	1	1	1	1	1	1	1	1	1	1	1	1	B room
11	G	M21 L2V 401	EXPANSION VALVE		1	1	1	1	1	1	1	1	1	1	1	1	1	1	1	1	1	A room
	G	M21 9T4 651	LEV COIL	LEV A	1	1	1	1	1	1	1	1	1	1	1	1	1	1	1	1	1	A room
12	G	M21 EA5 290	BASE ASSEMBLY		1	1	1	1	1	1	1	1	1	1	1	1	1	1	1	1	1	
13	G	M21 0A2 644	UNION		1	1	1	1	1	1	1	1	1	1	1	1	1	1	1	1	1	Ø12.7, Ø9.52, Ø6.35 SET
14	G	M21 4N9 668	STOP VALVE (LIQUID) 3/8		1	1	1	1	1	1	1	1	1	1	1	1	1	1	1	1	1	Ø9.52
15	G	M21 4N0 667	STOP VALVE (GAS) 5/8		1	1	1	1	1	1	1	1	1	1	1	1	1	1	1	1	1	Ø15.88
16	G	M21 EA0 248	REAR PANEL		1	1	1	1	1	1	1	1	1	1	1	1	1	1	1	1	1	
17	G	M21 L2V 646	HIGH PRESSURE SWITCH	HPS	1	1	1	1	1	1	1	1	1	1	1	1	1	1	1	1	1	4.8 MPa (48.9 kg/cm ²)
18	G	M21 L2V 642	4-WAY VALVE		1	1	1	1	1	1	1	1	1	1	1	1	1	1	1	1	1	
19	G	M21 L2V 402	EXPANSION VALVE		1	1	1	1	1													F
	G	M21 0A2 402	EXPANSION VALVE							1	1	1	1	1	1	1	1	1	1	1	1	F
20	G	M21 9T6 651	LEV COIL	LEV F	1	1	1	1	1	1	1	1	1	1	1	1	1	1	1	1	1	
21	G	M21 EA1 297	TOP PANEL		1	1	1	1	1	1	1	1	1	1	1	1	1	1	1	1	1	Without LABEL
22	G	M21 EA1 523	REAR GUARD		1	1	1	1	1	1	1	1	1	1	1	1	1	1	1	1	1	
23	G	M21 6K8 515	MOTOR SUPPORT		1	1	1	1	1	1	1	1	1	1	1	1	1	1	1	1	1	
24	G	M21 EBE 630	OUTDOOR HEAT EXCHANGER		1	1	1	1	1	1	1	1	1	1	1	1	1	1	1	1	1	
25	G	M21 0A0 293	SEPARATOR		1	1	1	1	1	1	1	1	1	1	1	1	1	1	1	1	1	
26	G	M21 EA0 249	SIDE PANEL		1	1	1	1	1	1	1	1	1	1	1	1	1	1	1	1	1	Including handle
27	G	M21 EAA 959	POWER RECEIVER		1	1	1	1	1	1	1	1	1	1	1	1	1	1	1	1	1	
28	G	M21 0A2 937	CAPILLARY TUBE		2	2	2	2	2	2	2	2	2	2	2	2	2	2	2	2	2	Ø3.0 × Ø2.0 × 300
29	G	M21 0A2 936	CAPILLARY TUBE		4	4	4	4	4	5	5	5	5	5	5	5	5	5	5	5	5	Ø4.0 × Ø2.8 × 100
30	G	M21 L2V 938	CAPILLARY TUBE		1	1	1	1	1	1	1	1	1	1	1	1	1	1	1	1	1	Ø2.5 × Ø0.6 × 1000
31	G	M21 L2V 656	OIL SEPARATOR		1	1	1	1	1	1	1	1	1	1	1	1	1	1	1	1	1	

RoHS PARTS LIST (RoHS compliant)

MXZ-4D83VA MXZ-5D102VA

1-16. OUTDOOR UNIT FUNCTIONAL PARTS AND ELECTRICAL PARTS



1-17. ACCESSORY

Outdoor unit $\phi 42$ drain hole

12

Soft vinyl chloride hose of
15 mm inside diameter

RoHS PARTS LIST (RoHS compliant)

MXZ-4D83VA MXZ-5D102VA

1-16. OUTDOOR UNIT FUNCTIONAL PARTS AND ELECTRICAL PARTS

No.	RoHS	Part No.	Part Name	Symbol In Wiring Diagram	Q'ty/unit										Remarks	
					MXZ-											
					4D83VA -					5D102VA -						
					E1	E2	ER1	ER2	ET2	E1	E2	ER1	ER2	ET2		
1	G	M21 EA0 501	PROPELLER FAN		1	1	1	1	1	1	1	1	1	1	1	
2	G	M21 EA5 301	OUTDOOR FAN MOTOR	MF	1	1	1	1	1	1	1	1	1	1	1	RC0J60- □□
3	G	M21 EA3 440	OUTDOOR POWER P.C. BOARD		1	1	1	1	1	1	1	1	1	1	1	Including heat sink and RT64
4	G	T2W EKW 451	OUTDOOR CONTROL P.C. BOARD		1		1									
	G	T2W ERR 451	OUTDOOR CONTROL P.C. BOARD			1		1	1							
	G	T2W ERS 451	OUTDOOR CONTROL P.C. BOARD							1	1	1	1	1	1	
5	G	M21 9T7 337	REACTOR	L	1	1	1	1	1	1	1	1	1	1	1	20A 600μH
6	G	M21 9T5 424	NOISE FILTER P.C. BOARD		1	1	1	1	1	1	1	1	1	1	1	
7	G	T2W 0A2 376	TERMINAL BLOCK	TB2~6	4	4	4	4	4	5	5	5	5	5	5	Indoor unit connecting
8	G	T2W 9T4 377	TERMINAL BLOCK	TB1	1	1	1	1	1	1	1	1	1	1	1	Power supply
9	G	T2W L2V 398	R.V. COIL	21S4	1	1	1	1	1	1	1	1	1	1	1	
10	G	M21 L2V 308	THERMISTOR SET	RT61,62,68	1	1	1	1	1	1	1	1	1	1	1	DEFROST, DISCHARGE, OUTDOOR HEAT EXCHANGER
11	G	M21 0A2 309	AMBIENT TEMPERATURE THERMISTOR	RT65	1	1	1	1	1	1	1	1	1	1	1	

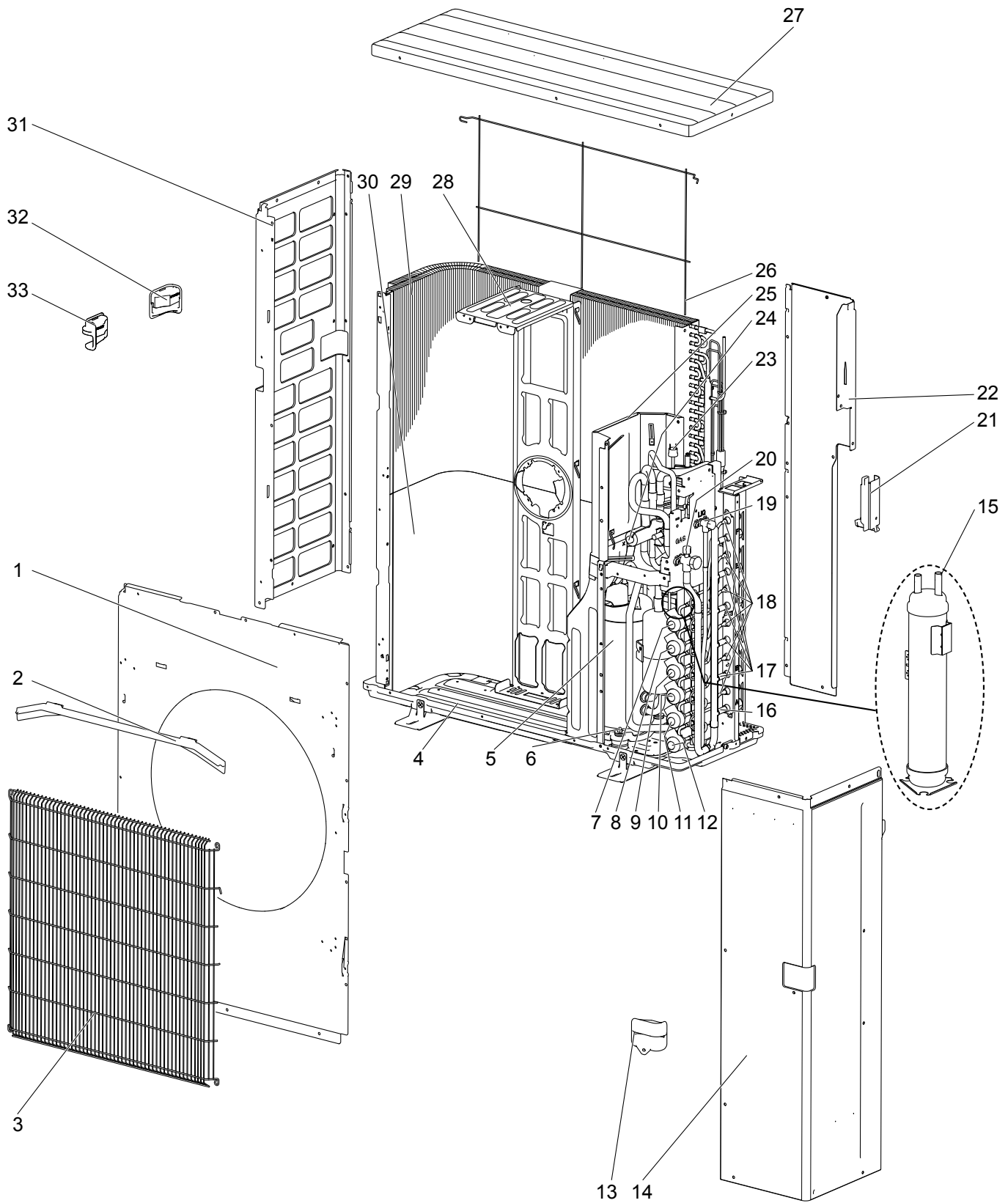
1-17. ACCESSORY

No.	RoHS	Part No.	Part Name	Symbol In Wiring Diagram	Q'ty/unit										Remarks	
					MXZ-											
					4D83VA -					5D102VA -						
					E1	E2	ER1	ER2	ET2	E1	E2	ER1	ER2	ET2		
12	G	M21 8K9 709	DRAIN SOCKET		1	1	1	1	1	1	1	1	1	1	1	

RoHS PARTS LIST (RoHS compliant)

MXZ-6D122VA

1-18. OUTDOOR UNIT STRUCTURAL PARTS AND FUNCTIONAL PARTS



RoHS PARTS LIST (RoHS compliant)

MXZ-6D122VA

1-18. OUTDOOR UNIT STRUCTURAL PARTS AND FUNCTIONAL PARTS

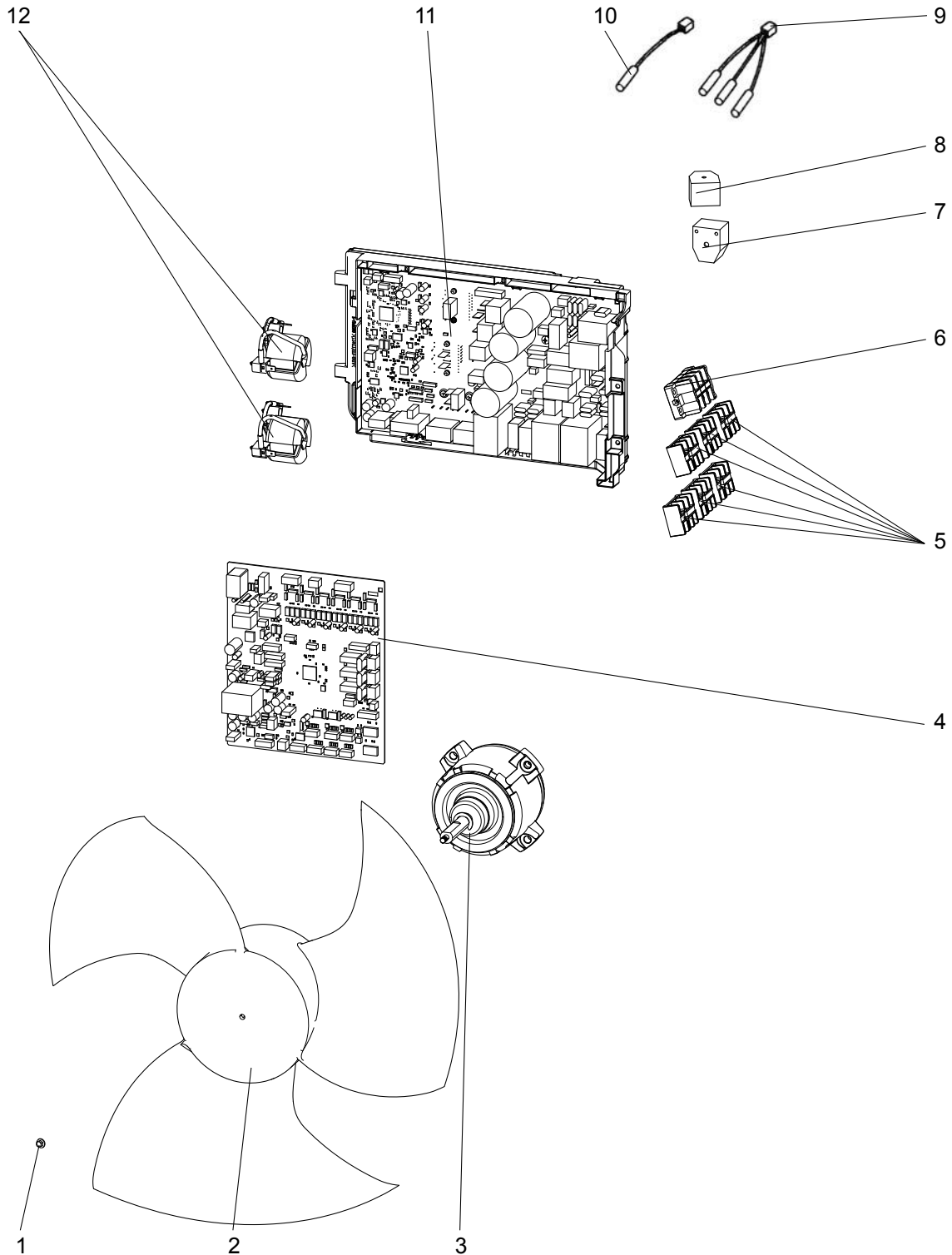
Part numbers that are circled are not shown in the illustration.

No.	RoHS	Part No.	Part Name	Symbol In Wiring Diagram	Q'ty/unit						Remarks
					MXZ-6D122VA						
					E1	E2	ER1	ER2	ET1	ET2	
1	G	E12 N99 232	FRONT PANEL		1	1	1	1	1	1	
2	G	E17 A15 531	ICE GUARD		1	1	1	1	1	1	
3	G	E12 R55 521	GRILLE		1	1	1	1	1	1	
4	G	E12 N99 290	BASE ASSEMBLY		1	1	1	1	1	1	
5	G	E12 N99 900	COMPRESSOR	MC	1	1	1	1	1	1	MNB33FBTMC-L
6	G	E12 267 506	COMPRESSOR RUBBER SET		3	3	3	3	3	3	3 RUBBERS SET
7	G	E12 N99 640	EXPANSION VALVE		1	1	1	1	1	1	F room
	G	E12 R55 493	LEV COIL	LEV F	1	1	1	1	1	1	F room
8	G	E12 N99 640	EXPANSION VALVE		1	1	1	1	1	1	E room
	G	E12 P64 493	LEV COIL	LEV E	1	1	1	1	1	1	E room
9	G	E12 N99 640	EXPANSION VALVE		1	1	1	1	1	1	D room
	G	E12 P63 493	LEV COIL	LEV D	1	1	1	1	1	1	D room
10	G	E12 N99 640	EXPANSION VALVE		1	1	1	1	1	1	C room
	G	E12 P02 493	LEV COIL	LEV C	1	1	1	1	1	1	C room
11	G	E12 N99 640	EXPANSION VALVE		1	1	1	1	1	1	B room
	G	E12 P01 493	LEV COIL	LEV B	1	1	1	1	1	1	B room
12	G	E12 N99 640	EXPANSION VALVE		1	1	1	1	1	1	A room
	G	E12 N99 493	LEV COIL	LEV A	1	1	1	1	1	1	A room
13	G	E12 P01 009	HANDLE		1	1	1	1	1	1	
14	G	E12 N99 245	SERVICE PANEL		1	1	1	1	1	1	Without LABEL
15	G	E12 N99 932	ACCUMULATOR		1	1	1	1	1	1	
16	G	E12 D37 666	UNION (GAS)		1	1	1	1	1	1	Ø12.7, A room
17	G	E12 D36 666	UNION (GAS)		5	5	5	5	5	5	Ø9.52, B, C, D, E, F room
18	G	E12 D36 667	UNION (LIQUID)		6	6	6	6	6	6	Ø6.35, A, B, C, D, E, F room
19	G	E12 N99 662	STOP VALVE (LIQUID)		1	1	1	1	1	1	Ø9.52
20	G	E12 R55 661	STOP VALVE (GAS)		1	1	1	1	1	1	Ø15.88
21	G	E12 N99 009	HANDLE (BACK)		1	1	1	1	1	1	
22	G	E12 R55 233	BACK PANEL		1	1	1	1	1	1	
23	G	E12 R24 646	HIGH PRESSURE SWITCH	HPS	1	1	1	1	1	1	4.41 MPa
24	G	E12 R55 961	4-WAY VALVE		1	1	1	1	1	1	
25	G	E12 N99 293	SEPARATOR		1	1	1	1	1	1	
26	G	E12 N99 523	REAR GUARD		1	1	1	1	1	1	
27	G	E12 N99 297	TOP PANEL		1	1	1	1	1	1	
28	G	E12 P64 515	MOTOR SUPPORT		1	1	1	1	1	1	
29	G	E12 N99 630	OUTDOOR HEAT EXCHANGER (TOP)		1	1	1	1	1	1	Including capillary tubes
30	G	E12 P01 630	OUTDOOR HEAT EXCHANGER (UNDER)		1	1	1	1	1	1	Including capillary tubes
31	G	E12 N99 086	SIDE PANEL-L		1	1	1	1	1	1	
32	G	E17 943 009	HANDLE (REAR)		1	1	1	1	1	1	
33	G	E17 942 009	HANDLE (FRONT)		1	1	1	1	1	1	
34	G	E12 R55 492	2-WAY SOLENOID VALVE		1	1	1	1	1	1	
35	G	E12 N99 936	CAPILLARY TUBE		2	2	2	2	2	2	Ø4.0 x Ø3.0 x 200
36	G	E12 939 936	CAPILLARY TUBE		6	6	6	6	6	6	Ø4.0 x Ø2.8 x 100
37	G	E12 938 936	CAPILLARY TUBE		1	1	1	1	1	1	Ø2.5 x Ø0.6 x 1000

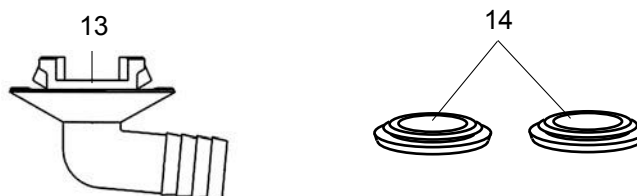
RoHS PARTS LIST (RoHS compliant)

MXZ-6D122VA

1-19. OUTDOOR UNIT FUNCTIONAL PARTS AND ELECTRICAL PARTS



1-20. ACCESSORY



RoHS PARTS LIST (RoHS compliant)

MXZ-6D122VA

1-19. OUTDOOR UNIT FUNCTIONAL PARTS AND ELECTRICAL PARTS

No.	RoHS	Part No.	Part Name	Symbol In Wiring Diagram	Q'ty/unit						Remarks
					MXZ-6D122VA						
					E1	E2	ER1	ER2	ET1	ET2	
1	G	E17 A15 508	PROPELLER FAN NUT		1	1	1	1	1	1	
2	G	E12 N99 501	PROPELLER FAN		1	1	1	1	1	1	
3	G	E12 R55 301	OUTDOOR FAN MOTOR	MF	1	1	1	1	1	1	SIC-81FW-D888-□
4	G	E12 R55 450	OUTDOOR CONTROL P.C. BOARD		1		1		1		
		E12 87A 450				1		1		1	
5	G	E12 C92 375	TERMINAL BLOCK	TB2,3, 4,5,6,7	6	6	6	6	6	6	Indoor unit connecting
6	G	E12 R55 374	TERMINAL BLOCK	TB1	1	1	1	1	1	1	Power supply
7	G	E12 R55 490	R.V. COIL	21S4	1	1	1	1	1	1	
8	G	E12 R56 490	2-WAY VALVE SOLENOID COIL	21S2	1	1	1	1	1	1	
9	G	E12 N99 308	THERMISTOR SET	RT61, 62,68	1		1		1		DEFROST, DISCHARGE, OUTDOOR HEAT EXCHANGER
		E12 Y45 308				1		1		1	
10	G	E12 N99 309	AMBIENT TEMPERATURE THERMISTOR	RT65	1		1		1		
		E12 Y45 309				1		1		1	
11	G	E12 R55 440	OUTDOOR POWER P.C. BOARD		1	1	1	1	1	1	Including heat sink and RT64
12	G	E12 N99 337	REACTOR	L1,L2	2	2	2	2	2	2	30A 750μH

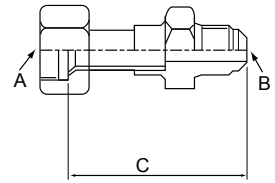
1-20. ACCESSORY

No.	RoHS	Part No.	Part Name	Symbol In Wiring Diagram	Q'ty/unit						Remarks
					MXZ-6D122VA						
					E1	E2	ER1	ER2	ET1	ET2	
13	G	E12 817 704	DRAIN SOCKET		1	1	1	1	1	1	
14	G	E12 444 705	DRAIN CAP		5	5	5	5	5	5	

2-1. DIFFERENT-DIAMETER PIPE

Model name	Connected pipes diameter	Diameter A	Diameter B	Length C	
MXZ-2D42VA MXZ-2D42VA2 MXZ-2D53VA MXZ-2D53VA2 MXZ-2D53VAH MXZ-2D53VAH2 MXZ-3D54VA MXZ-3D68VA MXZ-4D72VA MXZ-4D83VA MXZ-5D102VA MXZ-6D122VA					
For different diameter pipes	MAC-A454JP-E	φ9.52 (3/8) — φ12.7 (1/2)	φ9.52 (3/8)	φ12.7 (1/2)	69
	MAC-A455JP-E	φ12.7 (1/2) — φ9.52 (3/8)	φ12.7 (1/2)	φ9.52 (3/8)	65
	MAC-A456JP-E	φ12.7 (1/2) — φ15.88 (5/8)	φ12.7 (1/2)	φ15.88 (5/8)	66.5
	PAC-493PI	φ6.35 (1/4) — φ9.52 (3/8)	φ6.35 (1/4)	φ9.52 (3/8)	60.5
	PAC-SG76RJ-E	φ9.52 (3/8) — φ15.88 (5/8)	φ9.52 (3/8)	φ15.88 (5/8)	101.5

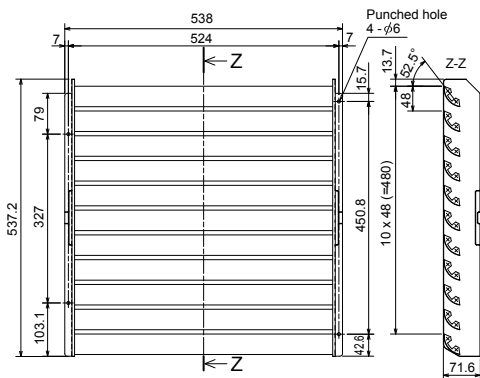
Unit: mm (inch)



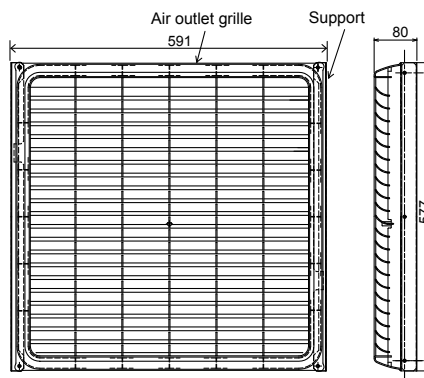
2-2. OUTLET GUIDE

Changes air discharge direction.

Applied unit	Model name	Model code
MXZ-2D33VA MXZ-2D40VA MXZ-2D42VA MXZ-2D42VA2 MXZ-2D53VA MXZ-2D53VA2 MXZ-2D53VAH MXZ-2D53VAH2	MAC-889SG	506-889
MXZ-3D54VA MXZ-3D54VA2 MXZ-3D68VA MXZ-4D72VA MXZ-4D83VA MXZ-5D102VA	MAC-856SG	51H-856



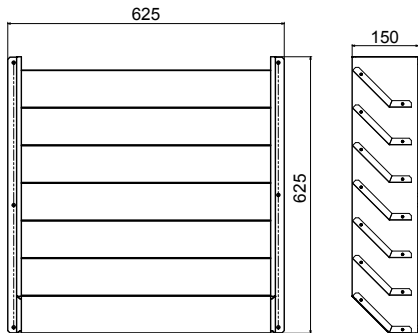
MAC-889SG



MAC-856SG



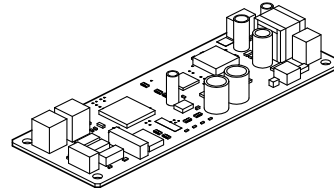
Applied unit	Model name	Model code
MXZ-6D122VA	PAC-SH96SG-E	7H2N19



PAC-SH96SG-E

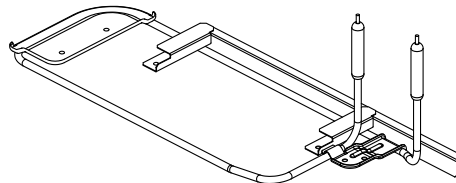
2-3. M-NET ADAPTER

Applied unit	Model name	Model code
MXZ-6D122VA	PAC-IF01MNT-E	7H2N34



2-4. BASE HEATER

Applied unit	Model name	Model code
MXZ-6D122VA	PAC-645BH-E	7H2590



Components

①	Base heater	1	④	Base heater support (2)	1	⑦	Cable tie	2
②	Heater guard	1	⑤	Clamp	1	⑧	Fastener	2
③	Base heater support (1)	1	⑥	Screw	8	⑨	Spec label	1

mitsubishi electric corporation

HEAD OFFICE: TOKYO BUILDING, 2-7-3, MARUNOUCHI, CHIYODA-KU, TOKYO 100-8310, JAPAN

© Copyright 2012 MITSUBISHI ELECTRIC CORPORATION

Issued: Feb. 2017. No.OBB626 REVISED EDITION-L

Issued: Sep. 2016. No.OBB626 REVISED EDITION-K

Issued: Mar. 2016. No.OBB626 REVISED EDITION-J

Issued: Dec. 2015. No.OBB626 REVISED EDITION-H

Issued: Apr. 2015. No.OBB626 REVISED EDITION-G

Issued: Jan. 2015. No.OBB626 REVISED EDITION-F

Issued: Aug. 2014. No.OBB626 REVISED EDITION-E

Issued: Jan. 2014. No.OBB626 REVISED EDITION-D

Issued: Oct. 2013. No.OBB626 REVISED EDITION-C

Issued: Sep. 2013. No.OBB626 REVISED EDITION-B

Issued: Dec. 2012. No.OBB626 REVISED EDITION-A

Published: Nov. 2012. No.OBB626

Made in Japan

Specifications are subject to change without notice.