

## OUTDOOR UNIT

# PARTS CATALOG



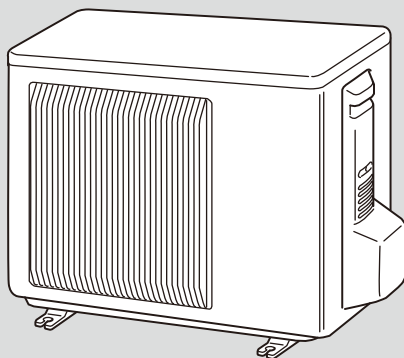
**No. OBB781  
REVISED EDITION-A**

### Models

**MUZ-DM50VA** - ER1

**MUZ-DM60VA** - ER1

**MUZ-DM71VA** - ER1



**MUZ-DM50VA**

### CONTENTS

1. SERVICE PARTS LIST..... 2

**SERVICE MANUAL (OBH781)**

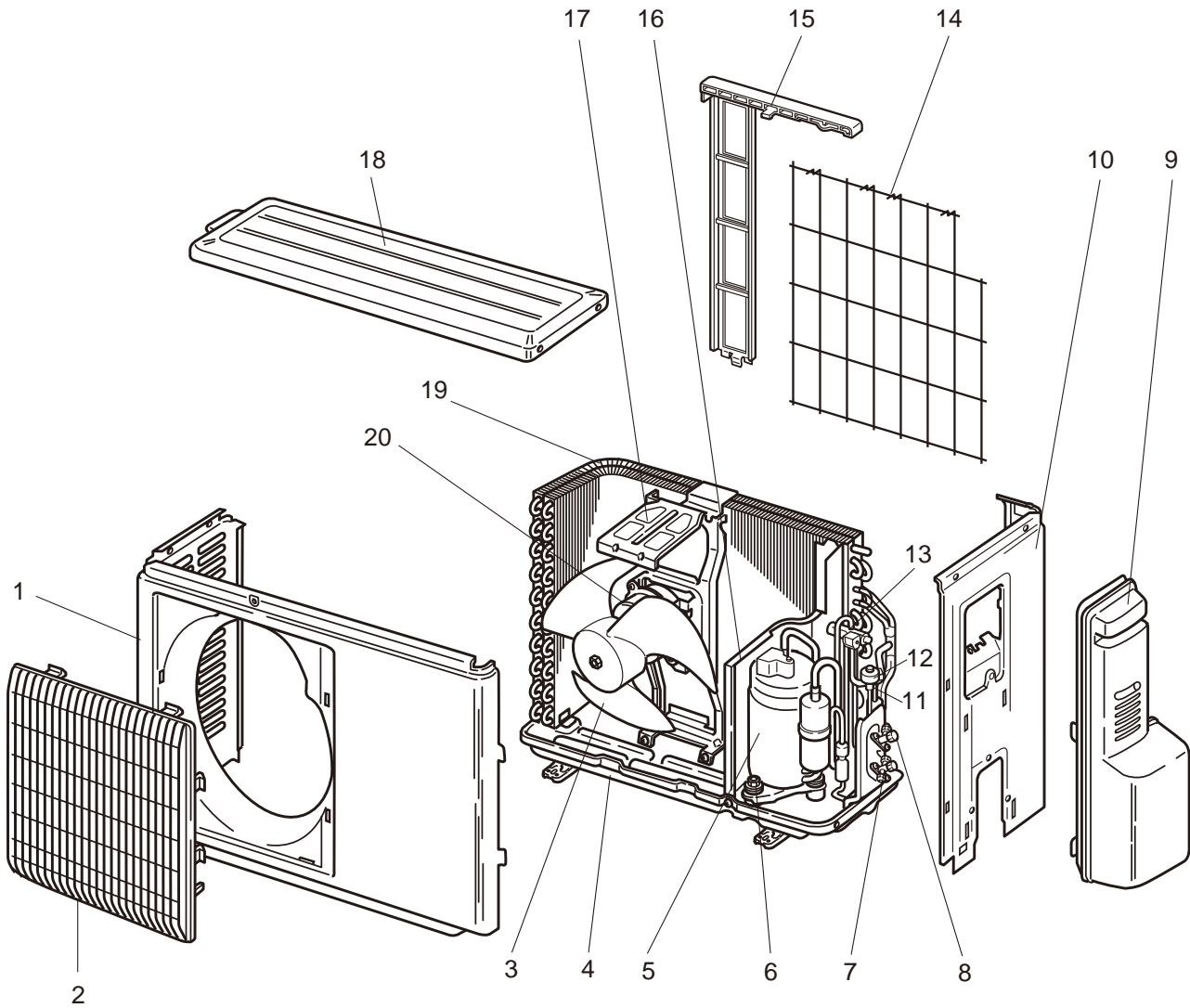
**Revision A:**

• Some descriptions have been modified.

# 1 SERVICE PARTS LIST

## MUZ-DM50VA

### 1-1. OUTDOOR UNIT STRUCTURAL PARTS AND FUNCTIONAL PARTS



## 1-1. OUTDOOR UNIT STRUCTURAL PARTS AND FUNCTIONAL PARTS

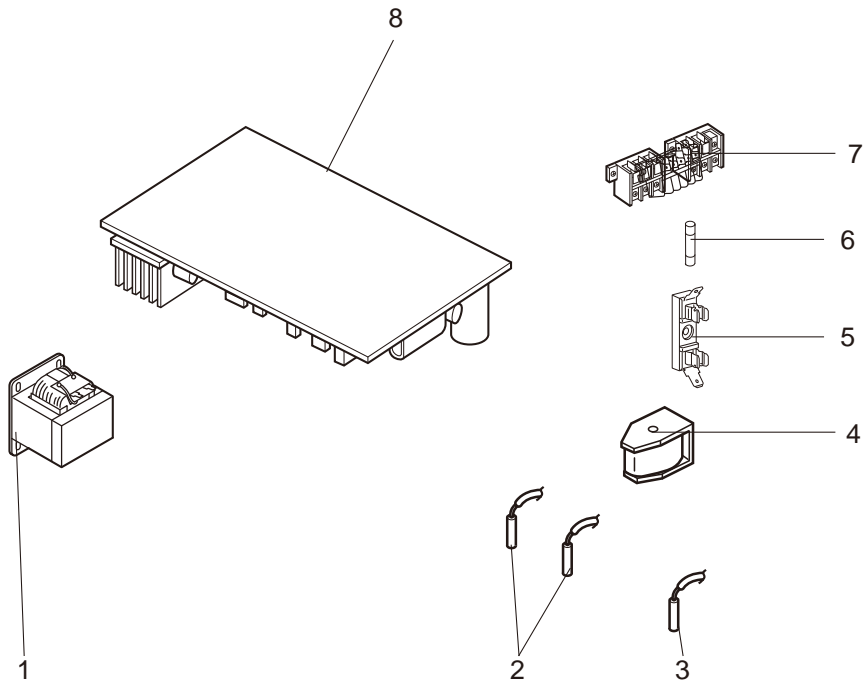
Part numbers that are circled are not shown in the illustration.

No.	Part No.	Part Name	Symbol in Wiring Diagram	Q'ty/unit	Remarks
				MUZ-DM50VA- <span style="border: 1px solid black;">ER1</span>	
1	E22 927 232	CABINET		1	
2	E22 927 521	GRILLE		1	
3	E22 927 501	PROPELLER FAN		1	
4	E22 Y84 290	BASE		1	
5	E22 E05 900	COMPRESSOR	MC	1	SNB130FGBHT
6	E22 C34 506	COMPRESSOR RUBBER SET		3	3 RUBBERS/SET
7	E22 D58 661	STOP VALVE (GAS)		1	ø12.7
8	E22 D58 662	STOP VALVE (LIQUID)		1	ø6.35
9	E22 927 245	SERVICE PANEL		1	
10	E22 G15 233	BACK PANEL		1	
11	E22 A54 640	EXPANSION VALVE		1	
12	E22 G10 493	EXPANSION VALVE COIL	LEV	1	
13	E22 J44 961	4-WAY VALVE		1	
14	E22 930 525	CONDENSER WIRE NET		1	
15	E22 930 523	CONDENSER NET		1	
16	E22 G11 293	SEPARATOR		1	
17	E22 929 515	MOTOR SUPPORT		1	
18	E22 927 297	TOP PANEL		1	
19	E22 K01 630	OUTDOOR HEAT EXCHANGER		1	
20	E22 G11 301	OUTDOOR FAN MOTOR	MF	1	RC0J50-□□
⑳	E22 J47 936	CAPILLARY TUBE		1	ø4.0×ø2.4×240
㉑	E22 838 704	DRAIN SOCKET		1	



**MUZ-DM50VA**

**1-2. OUTDOOR UNIT ELECTRICAL PARTS**

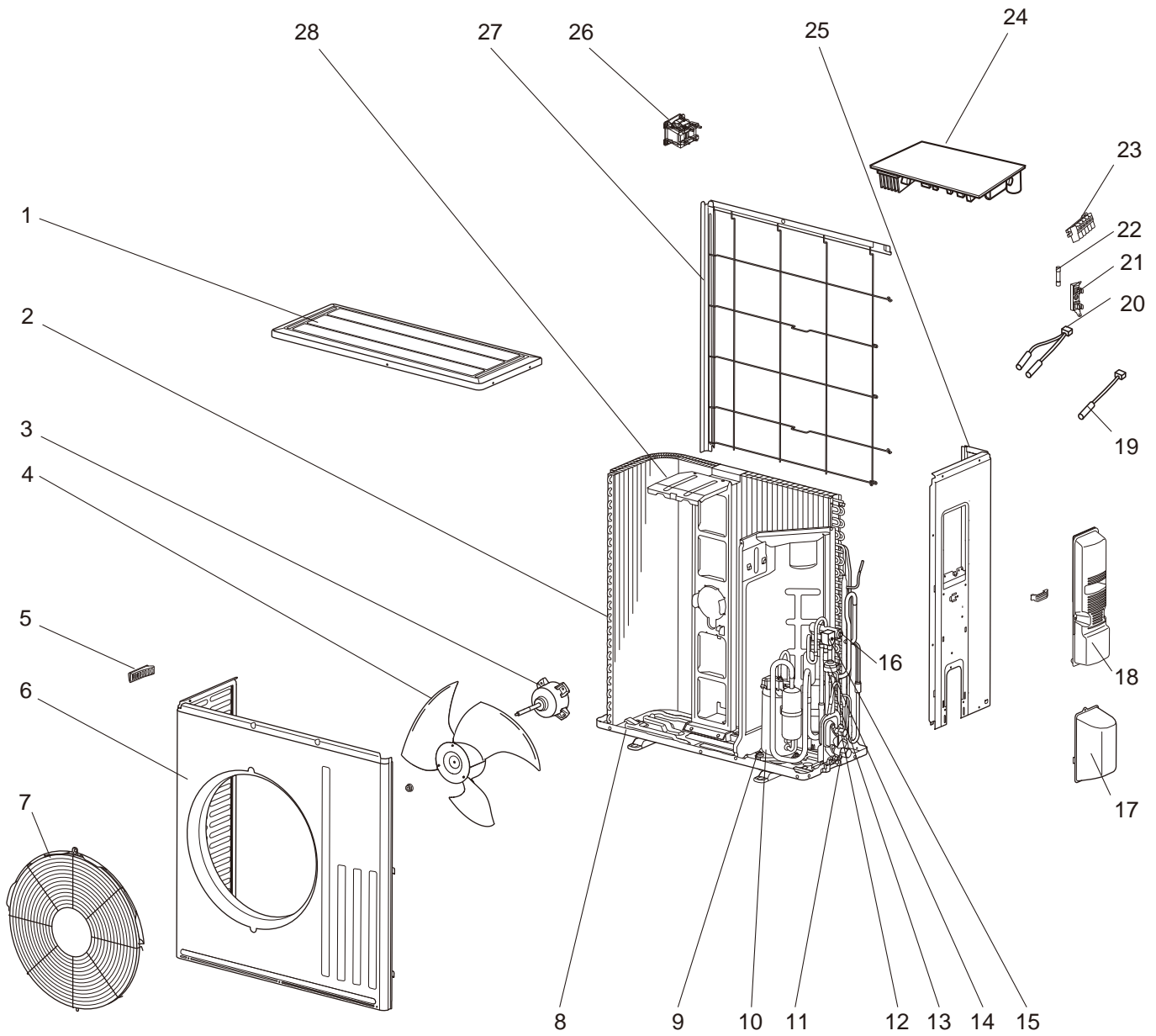




## 1-2. OUTDOOR UNIT ELECTRICAL PARTS

No.	Part No.	Part Name	Symbol in Wiring Diagram	Q'ty/unit	Remarks
				MUZ-DM50VA- <span style="border: 1px solid black; padding: 0 2px;">ER1</span>	
1	E22 20A 337	REACTOR	L61	1	
2	E22 C34 306	THERMISTOR SET	RT61, RT62	1	DEFROST, DISCHARGE
3	E22 C34 307	OUTDOOR HEAT EXCHANGER TEMPERATURE THERMISTOR	RT68	1	
4	E22 J47 490	R.V. COIL	21S4	1	
5	E22 735 241	FUSE HOLDER		1	
6	E22 735 382	FUSE	F61	1	T20AL250V
7	E22 N87 374	TERMINAL BLOCK	TB	1	5 P
8	E22 K01 451	INVERTER P.C. BOARD		1	Includes heat sink and RT64

**MUZ-DM60VA MUZ-DM71VA**  
**1-3. OUTDOOR UNIT STRUCTURAL PARTS, ELECTRICAL PARTS AND FUNCTIONAL PARTS**



### 1-3. OUTDOOR UNIT STRUCTURAL PARTS, ELECTRICAL PARTS AND FUNCTIONAL PARTS

Part numbers that are circled are not shown in the illustration.

No.	Part No.	Part Name	Symbol in Wiring Diagram	Q'ty/unit		Remarks
				MUZ-DM60VA- [ER1]	MUZ-DM71VA- [ER1]	
1	E22 L87 297	TOP PANEL		1	1	
2	E22 H21 630	OUTDOOR HEAT EXCHANGER		1	1	
3	E22 N87 301	OUTDOOR FAN MOTOR	MF	1	1	RC0J77-□□
4	E22 F28 501	PROPELLER FAN		1	1	
5	E22 817 009	HANDLE		1	1	
6	E22 N87 232	CABINET		1	1	
7	E22 F73 521	FAN GUARD		1	1	Includes ice guard
8	E22 F28 290	BASE		1	1	
9	E22 C34 506	COMPRESSOR RUBBER SET		3	3	3 RUBBERS/SET
10	E22 F28 900	COMPRESSOR	MC	1	1	SNB130FGBMT
11	E22 F28 661	STOP VALVE (GAS)		1	1	∅15.88
12	E22 F28 662	STOP VALVE (LIQUID)		1		∅6.35
	E22 F29 662				1	∅9.52
13	E22 851 640	EXPANSION VALVE		1	1	
14	E22 F28 493	EXPANSION VALVE COIL	LEV	1	1	
15	E22 G16 490	R.V. COIL	21S4	1	1	
16	E22 C18 961	4-WAY VALVE		1	1	
17	E22 F28 650	VALVE COVER		1	1	
18	E22 G16 245	SERVICE PANEL		1	1	
19	E22 G16 307	OUTDOOR HEAT EXCHANGER TEMPERATURE THERMISTOR	RT68	1	1	
20	E22 G16 308	THERMISTOR SET	RT61, RT62	1	1	DEFROST, DISCHARGE
21	E22 735 241	FUSE HOLDER		1	1	
22	E22 735 382	FUSE	F61	1	1	T20AL250V
23	E22 N87 374	TERMINAL BLOCK	TB	1	1	5 P
24	E22 N87 451	INVERTER P.C. BOARD		1		Includes heat sink and RT64
	E22 N88 451			1		
25	E22 F28 233	BACK PANEL (OUT)		1	1	
26	E22 H21 337	REACTOR	L61	1	1	
27	E22 L87 523	CONDENSER NET		1	1	
28	E22 F28 515	MOTOR SUPPORT		1	1	
29	E22 262 936	CAPILLARY TUBE		1	1	∅4.0 × ∅2.4 × 200
30	E22 838 936	CAPILLARY TUBE		4	4	∅3.0 × ∅2.0 × 200
31	E22 527 936	CAPILLARY TUBE		1	1	∅4.0 × ∅2.4 × 100
32	E22 F28 704	DRAIN SOCKET		1	1	

# **MITSUBISHI ELECTRIC CORPORATION**

HEAD OFFICE: TOKYO BUILDING, 2-7-3, MARUNOUCHI, CHIYODA-KU, TOKYO 100-8310, JAPAN

© Copyright 2017 MITSUBISHI ELECTRIC CORPORATION

Issued: Dec. 2019. No. OBB781 REVISED EDITION-A

Published: Jul. 2017. No. OBB781

Made in Japan

Specifications are subject to change without notice.