

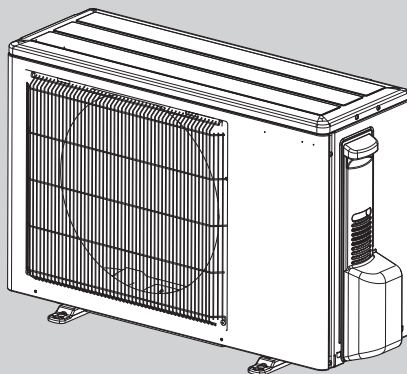
## OUTDOOR UNIT

No. OBB839A

# PARTS CATALOG

### Models

**MUZ-AP20VG** - **E1** , - **ET1** , - **ER1**



**MUZ-AP20VG**

### CONTENTS

1. SERVICE PARTS LIST ..... 2

**SERVICE MANUAL (OBH839A)**

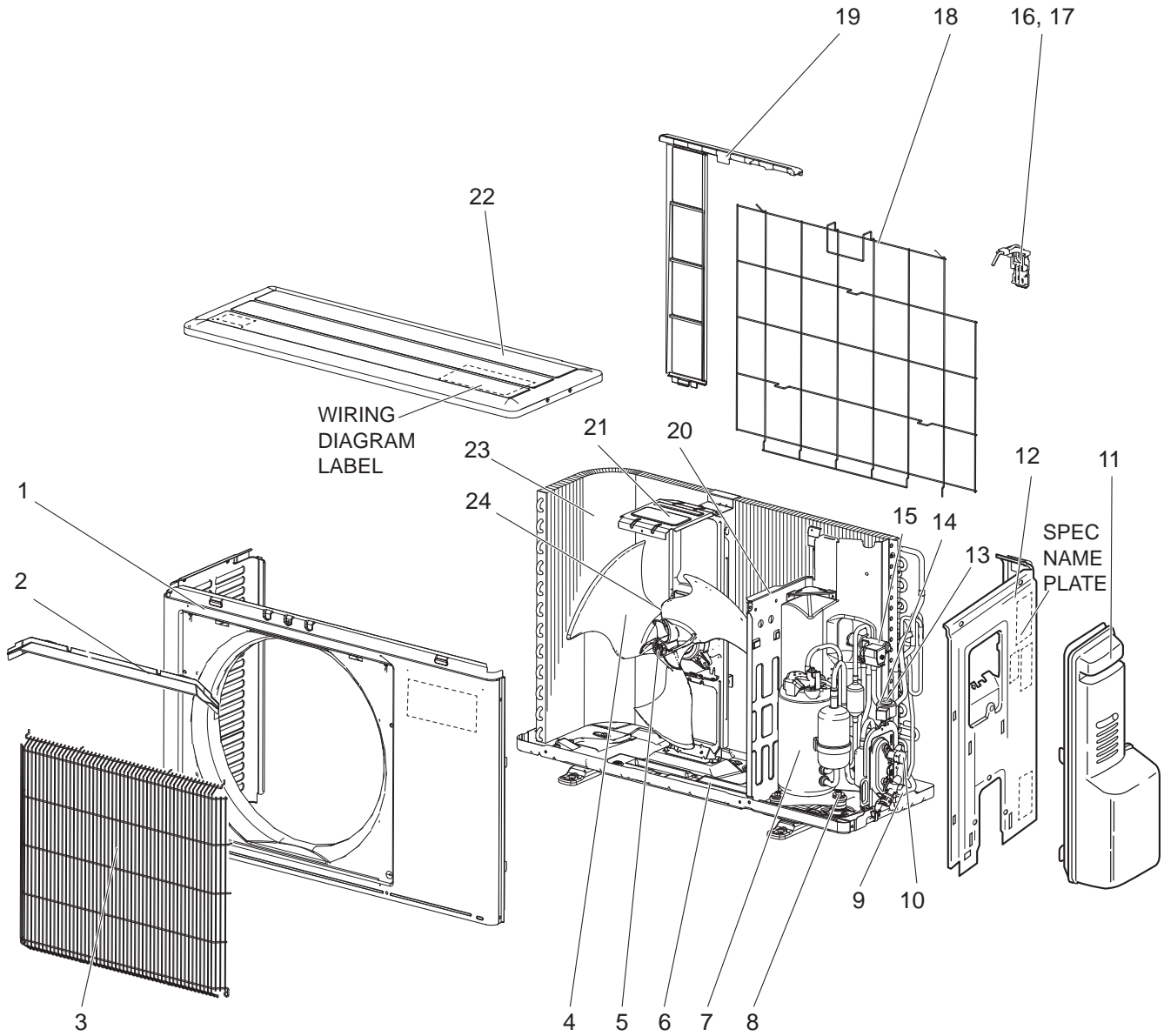
**Revision A:**

• MUZ-AP20VG-**ER1** have been added.

**1 SERVICE PARTS LIST**

**MUZ-AP20VG**

**1-1. OUTDOOR UNIT STRUCTURAL PARTS AND FUNCTIONAL PARTS**



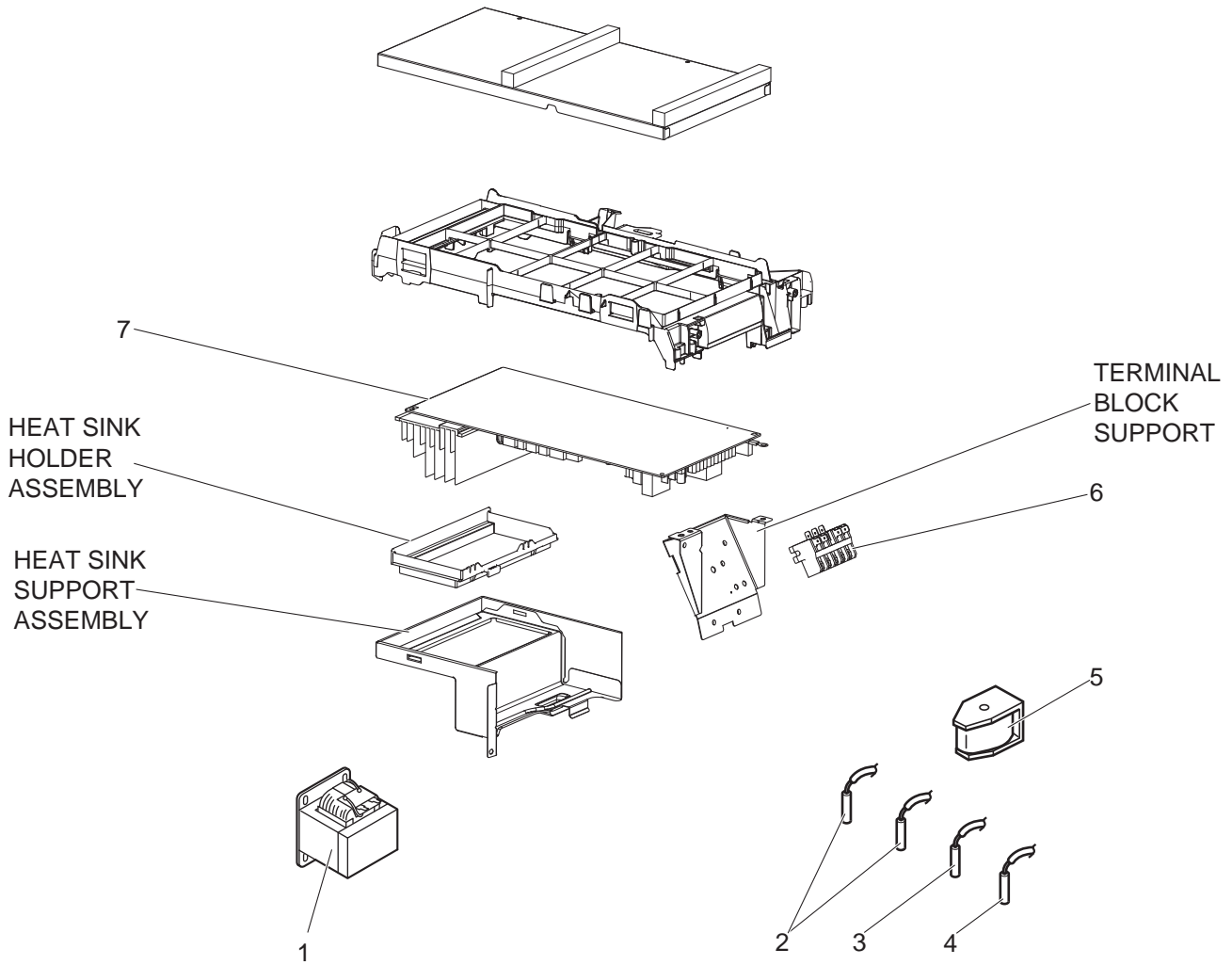
## 1-1. OUTDOOR UNIT STRUCTURAL PARTS AND FUNCTIONAL PARTS

Part numbers that are circled are not shown in the illustration.

No.	Part No.	Part Name	Symbol in Wiring Diagram	Q'ty/unit			Remarks
				MUZ-AP			
				20VG-[E1]	20VG-[ET1]	20VG-[ER1]	
1	E22 J63 232	CABINET		1	1	1	
2	E22 J63 531	ICE GUARD		1	1	1	
3	E22 Y84 521	WIRE GRILLE		1	1	1	
4	E22 95B 501	PROPELLER FAN		1	1	1	
5	E27 L05 508	PROPELLER FAN NUT		1	1	1	SG12D375H03
6	E22 Y84 290	BASE ASSEMBLY		1	1	1	
7	E22 R81 900	COMPRESSOR	MC	1	1	1	KVB073FYXMC
8	E22 065 506	COMPRESSOR RUBBER SET		3	3	3	3 RUBBERS/SET
9	E22 T66 661	STOP VALVE(GAS)		1	1	1	ø9.52 Includes pipes
10	E22 43J 662	STOP VALVE(LIQUID)		1	1	1	ø6.35 Includes pipes
11	E22 L59 245	SERVICE PANEL ASSEMBLY		1	1	1	
12	E22 G11 233	BACK PANEL ASSEMBLY		1	1	1	
13	E22 43J 645	EXPANSION VALVE ASSEMBLY		1	1	1	Includes LEV body and capillary tube ø3.0xø2.0x150 ø3.0xø2.0x100
14	E22 Y84 493	EXPANSION VALVE COIL	LEV	1	1	1	
15	E22 R81 961	4-WAY VALVE		1	1	1	
16	E22 928 079	THERMO HOLDER (AMBIENT)		1	1	1	
17	E27 M71 078	THERMO HOLDER COVER		1	1	1	
18	E27 M71 525	CONDENSER WIRE NET ASSEMBLY		1	1	1	
19	E22 928 523	CONDENSER NET		1	1	1	
20	E22 G10 293	SEPARATOR		1	1	1	
21	E22 97B 515	MOTOR SUPPORT		1	1	1	
22	E22 L85 297	TOP PANEL		1	1	1	
23	E22 47H 630	OUTDOOR HEAT EXCHANGER		1	1	1	
24	E22 97B 301	OUTDOOR FAN MOTOR	MF	1	1	1	RC0J50-□□
25	E22 838 704	DRAIN SOCKET		1	1	1	

# MUZ-AP20VG

## 1-2. OUTDOOR UNIT ELECTRICAL PARTS





## 1-2. OUTDOOR UNIT ELECTRICAL PARTS

No.	Part No.	Part Name	Symbol in Wiring Diagram	Q'ty/unit			Remarks
				MUZ-AP			
				20VG-[E1]	20VG-[ET1]	20VG-[ER1]	
1	E22 11C 337	REACTOR	L61	1	1	1	
2	E22 C34 306	THERMISTOR SET	RT61, RT62	1	1	1	DEFROST, DISCHARGE
3	E22 927 308	AMBIENT TEMPERATURE THERMISTOR	RT65	1	1	1	
4	E22 88F 307	OUTDOOR HEAT EXCHANGER TEMPERATURE THERMISTOR	RT68	1	1	1	
5	E22 J47 490	R.V. COIL ASSEMBLY	21S4	1	1	1	
6	E22 T95 374	TERMINAL BLOCK	TB1	1	1	1	5P (S1, S2, S3, L, N)
7	E22 43J 451	INVERTER P.C. BOARD ASSEMBLY		1	1	1	Includes HEAT SINK and RT64

# **MITSUBISHI ELECTRIC CORPORATION**

HEAD OFFICE: TOKYO BUILDING, 2-7-3, MARUNOUCHI, CHIYODA-KU, TOKYO 100-8310, JAPAN

© Copyright 2019 MITSUBISHI ELECTRIC CORPORATION

Issued: Dec. 2019. No. OBB839 REVISED EDITION-A

Published: Apr. 2019. No. OBB839

Made in Japan

Specifications are subject to change without notice.