

OUTDOOR UNIT

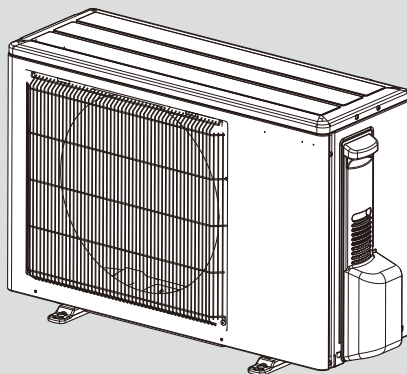
No. OBB817
REVISED EDITION-A

PARTS CATALOG

Models

MUY-TP35VF - E1, ET1

MUY-TP50VF - E1, ET1



CONTENTS

1. SERVICE PARTS LIST..... 2

SERVICE MANUAL (OBH817)

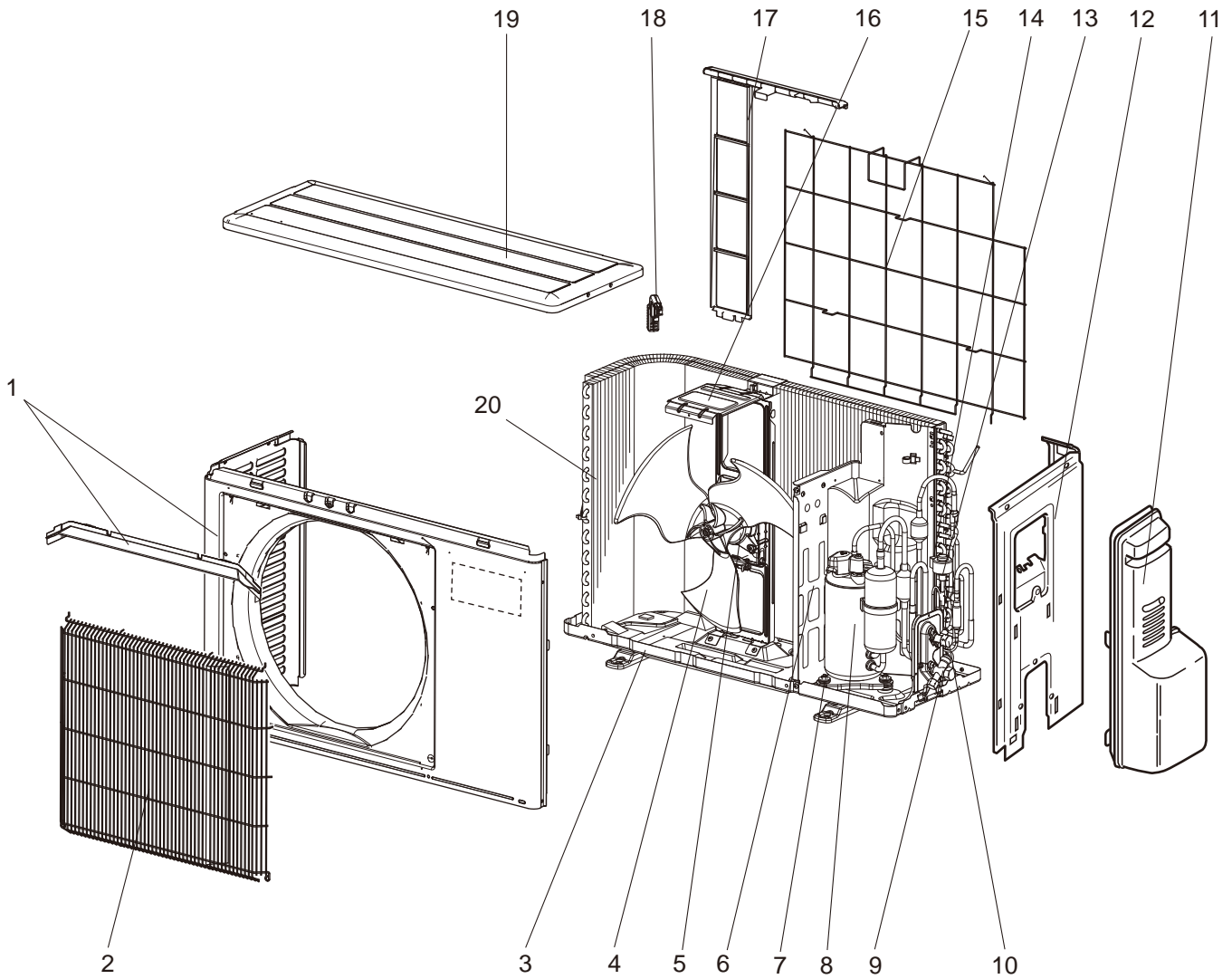
Revision A:

• Some descriptions have been modified.

1 SERVICE PARTS LIST

MUY-TP35VF MUY-TP50VF

1-1. OUTDOOR UNIT STRUCTURAL PARTS AND FUNCTIONAL PARTS

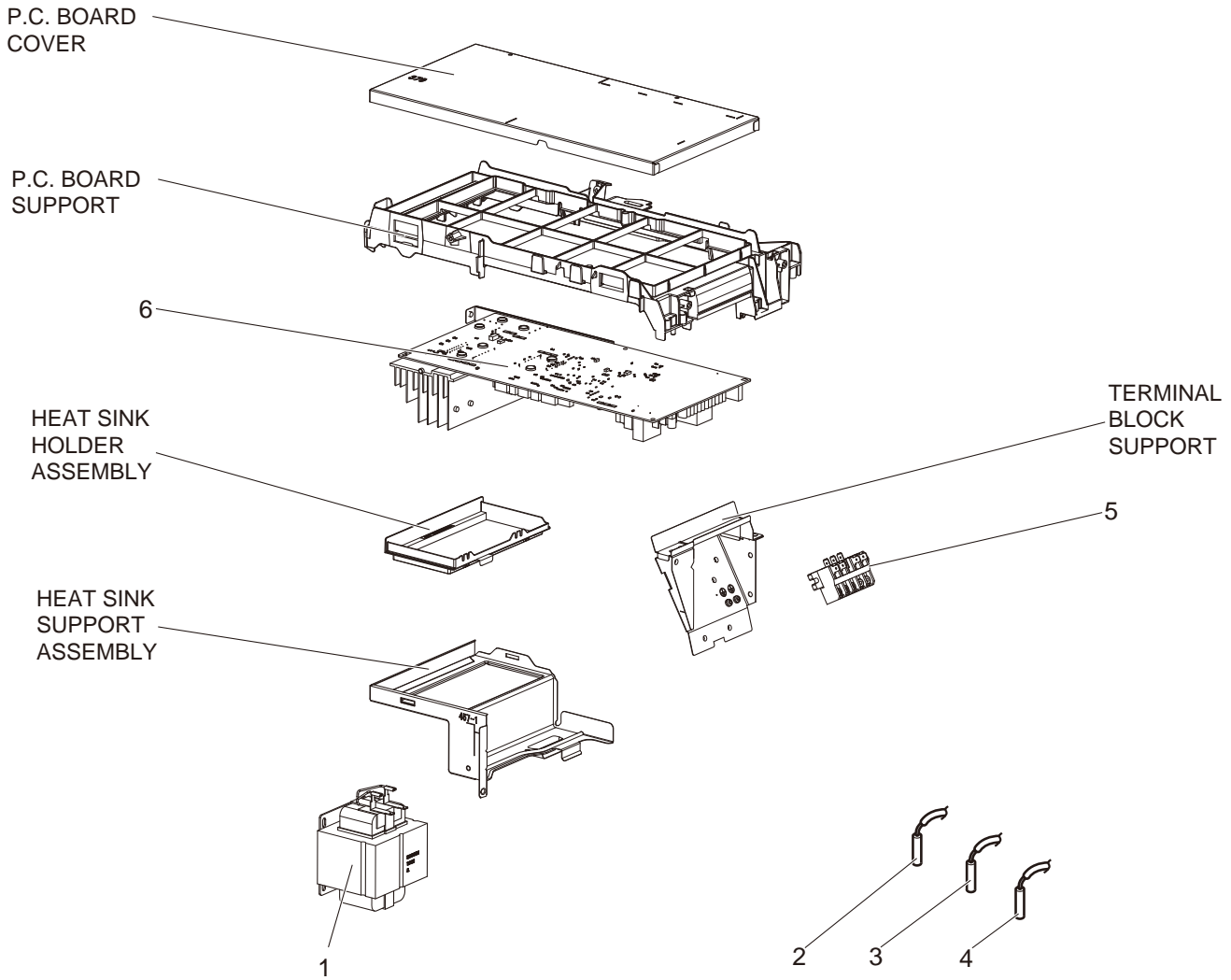


1-1. OUTDOOR UNIT STRUCTURAL PARTS AND FUNCTIONAL PARTS

Part numbers that are circled are not shown in the illustration.

No.	Part No.	Part Name	Symbol in Wiring Diagram	Q'ty/unit MUY-TP				Remarks
				35VF - [E1]	35VF - [ET1]	50VF - [E1]	50VF - [ET1]	
1	E22 J63 232	CABINET		1	1	1	1	Includes ice guard
2	E22 Y84 521	FAN GUARD		1	1	1	1	
3	E22 Y84 290	BASE ASSEMBLY		1	1	1	1	
4	E22 95B 501	PROPELLER FAN		1	1	1	1	
5	E22 97B 301	OUTDOOR FAN MOTOR	MF	1	1	1	1	RC0J50-□□
6	E22 M11 293	SEPARATOR		1	1	1	1	
7	E22 C34 506	COMPRESSOR RUBBER SET		3	3	3	3	3 RUBBERS/SET
8	E22 R83 900	COMPRESSOR	MC	1	1	1	1	SVB130FBBMT
9	E22 14A 661	STOP VALVE ASSEMBLY (GAS)		1	1	1	1	ø9.52
10	E22 14F 662	STOP VALVE ASSEMBLY (LIQUID)		1	1	1	1	ø6.35
11	E22 M09 245	SERVICE PANEL ASSEMBLY		1	1	1	1	
12	E22 G15 233	BACK PANEL ASSEMBLY		1	1	1	1	Not including SPEC NAME PLATE
13	E22 Y84 640	EXPANSION VALVE ASSEMBLY		1	1	1	1	
14	E22 G10 493	EXPANSION VALVE COIL	LEV	1	1	1	1	
15	E22 930 525	CONDENSER WIRE NET		1	1	1	1	
16	E22 14F 515	MOTOR SUPPORT		1	1	1	1	
17	E22 930 523	CONDENSER NET		1	1	1	1	
18	E22 M09 079	THERMO HOLDER (AMBIENT)		1	1	1	1	SG02D694H02
19	E22 M09 297	TOP PANEL ASSEMBLY		1	1	1	1	
20	E22 14F 630	OUTDOOR HEAT EXCHANGER		1	1	1	1	
⑳	E22 J47 936	CAPILLARY TUBE		1	1	1	1	ø4.0xø2.4x240
㉑	E22 527 936	CAPILLARY TUBE		1	1	1	1	ø4.0xø2.4x100

MUY-TP35VF MUY-TP50VF
1-2. OUTDOOR UNIT ELECTRICAL PARTS





1-2. OUTDOOR UNIT ELECTRICAL PARTS

No.	Part No.	Part Name	Symbol in Wiring Diagram	Q'ty/unit				Remarks
				MUY-TP				
				35VF - E1	35VF - ET1	50VF - E1	50VF - ET1	
1	E22 20A 337	REACTOR	L61	1	1	1	1	
2	E22 E99 306	THERMISTOR SET	RT62	1	1	1	1	DISCHARGE
3	E22 D65 308	AMBIENT TEMPERATURE THERMISTOR	RT65	1	1	1	1	
4	E22 14F 307	OUTDOOR HEAT EXCHANGER TEMPERATURE THERMISTOR	RT68	1	1	1	1	
5	E22 N87 374	TERMINAL BLOCK	TB1	1	1	1	1	5P (S1, S2, S3)
6	E22 14F 451	INVERTER P.C. BOARD		1	1			
	E22 15F 451					1	1	

MITSUBISHI ELECTRIC CORPORATION

HEAD OFFICE: TOKYO BUILDING, 2-7-3, MARUNOUCHI, CHIYODA-KU, TOKYO 100-8310, JAPAN

© Copyright 2018 MITSUBISHI ELECTRIC CORPORATION

Issued: Dec. 2019. No. OBB817 REVISED EDITION-A

Published: Oct. 2018. No. OBB817

Made in Japan

Specifications are subject to change without notice.