

Revision E:

- Some descriptions have been modified.

OBB668 REVISED EDITION-D is void.

OUTDOOR UNIT PARTS CATALOG

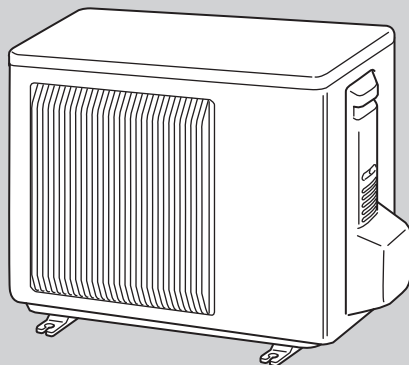
**No. OBB668
REVISED EDITION-E**

Models

MUFZ-KJ25VEHZ - **E1**, **E2**, **ER1**, **ER2**, **ET1**, **ET2**

MUFZ-KJ35VEHZ - **E1**, **E2**, **ER1**, **ER2**, **ET1**, **ET2**

MUFZ-KJ50VEHZ - **E1**, **E2**, **ER1**, **ER2**, **ET1**, **ET2**



**MUFZ-KJ25VEHZ
MUFZ-KJ35VEHZ**

CONTENTS

1. SERVICE PARTS LIST.....	2
----------------------------	---

SERVICE MANUAL (OBH668)

Revision A:

• MUFZ-KJ50VEHZ - [E1] has been added.

Revision B:

• MUFZ-KJ25VEHZ - [ER1], MUFZ-KJ35VEHZ - [ER1] and MUFZ-KJ50VEHZ - [ER1] have been added.

Revision C:

• MUFZ-KJ25VEHZ - [ET1], MUFZ-KJ35VEHZ - [ET1] and MUFZ-KJ50VEHZ - [ET1] have been added.

Revision D:

• MUFZ-KJ25VEHZ - [E2], [ER2], [ET2], MUFZ-KJ35VEHZ - [E2], [ER2], [ET2] and MUFZ-KJ50VEHZ - [E2], [ER2], [ET2] have been added.

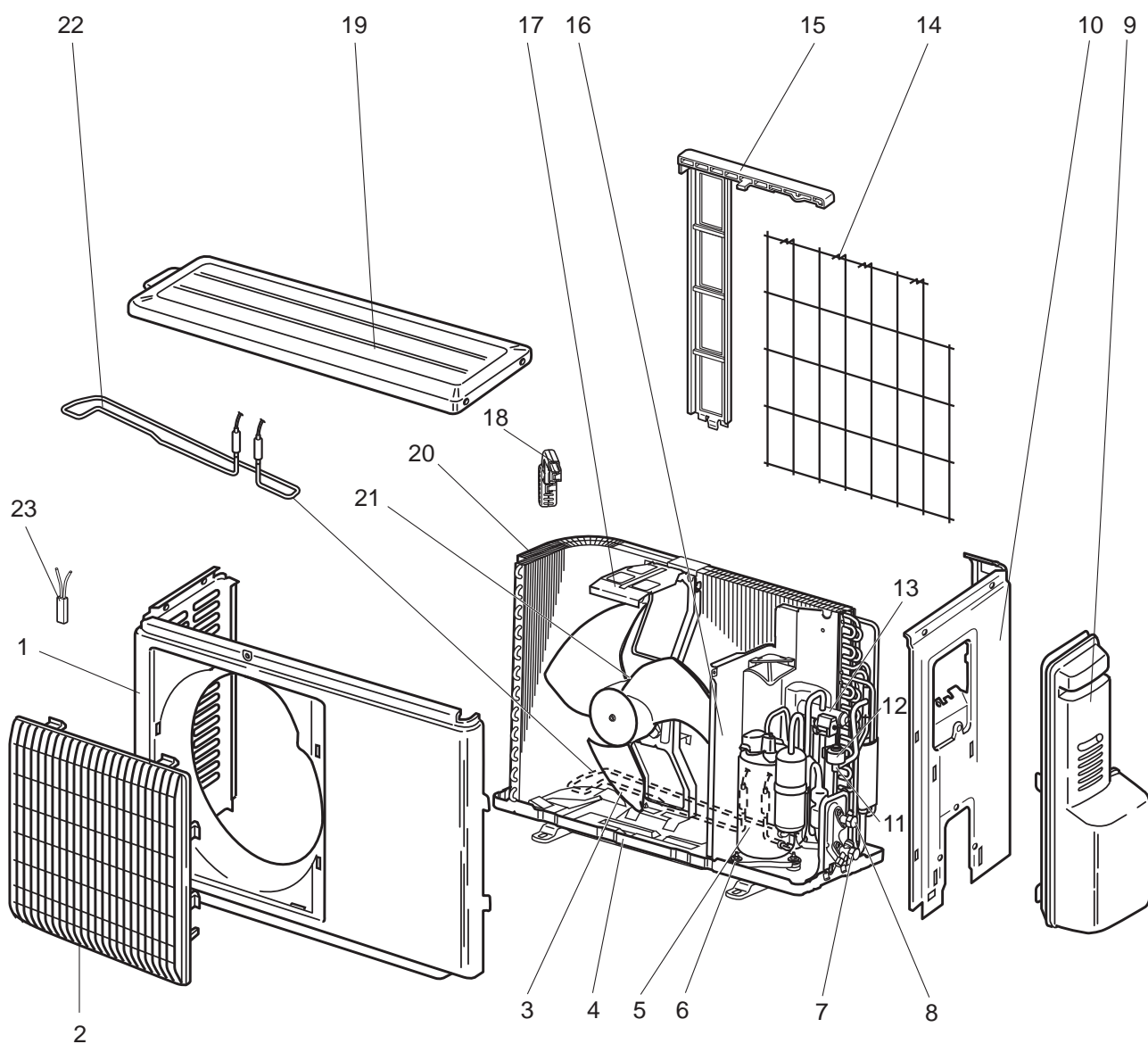
Revision E:

• Some descriptions have been modified.

1 SERVICE PARTS LIST

MUFZ-KJ25VEHZ- [E1], [ET1] MUFZ-KJ35VEHZ- [E1], [ET1]

1-1. OUTDOOR UNIT STRUCTURAL PARTS AND FUNCTIONAL PARTS

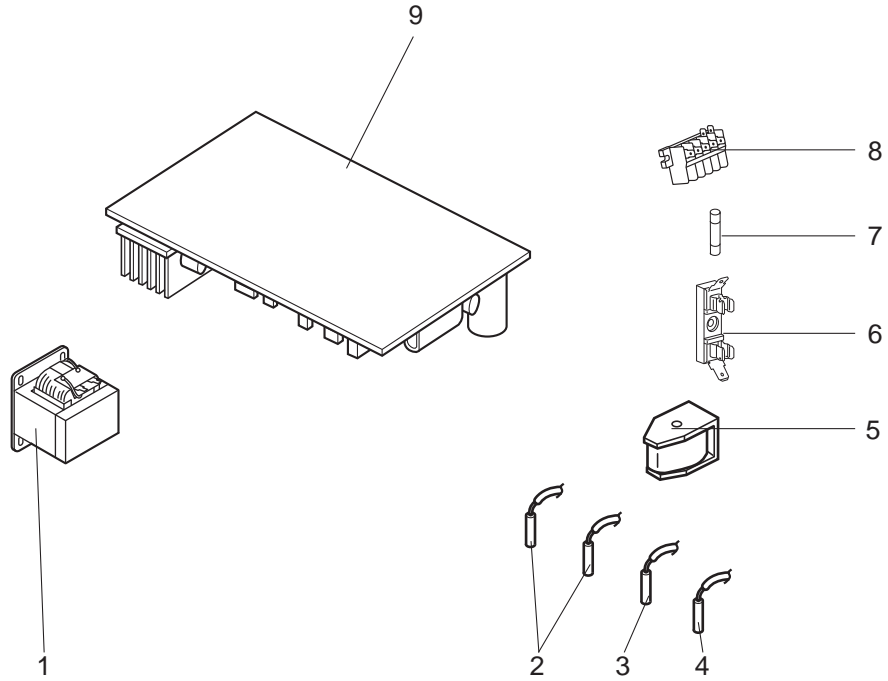


1-1. OUTDOOR UNIT STRUCTURAL PARTS AND FUNCTIONAL PARTS

Part numbers that are circled are not shown in the illustration.

No.	Part No.	Part Name	Symbol in Wiring Diagram	Q'ty/unit				Remarks
				MUFZ-KJ25VEHZ-		MUFZ-KJ35VEHZ-		
				E1	E1	E1	E1	
1	E12 927 232	CABINET		1	1	1	1	
2	E12 927 521	GRILLE		1	1	1	1	
3	E12 927 501	PROPELLER FAN		1	1	1	1	
4	E12 D70 290	BASE		1	1	1	1	
5	E12 J47 900	COMPRESSOR	MC	1	1	1	1	SNB140FRUMT
6	E12 C34 506	COMPRESSOR RUBBER SET		3	3	3	3	3 RUBBERS/SET
7	E12 927 661	STOP VALVE (GAS)		1	1	1	1	ø9.52
8	E12 927 662	STOP VALVE (LIQUID)		1	1	1	1	ø6.35
9	E12 927 245	SERVICE PANEL		1	1	1	1	
10	E12 H24 233	BACK PANEL		1	1	1	1	
11	E12 A54 640	EXPANSION VALVE		1	1	1	1	
12	E12 G10 493	EXPANSION VALVE COIL	LEV	1	1	1	1	
13	E12 J44 961	4-WAY VALVE		1	1	1	1	
14	E12 930 525	CONDENSER WIRE NET		1	1	1	1	
15	E12 930 523	CONDENSER NET		1	1	1	1	
16	E12 G14 293	SEPARATOR		1	1	1	1	
17	E12 929 515	MOTOR SUPPORT		1	1	1	1	
18	E12 D84 079	THERMO HOLDER		1	1	1	1	
19	E12 927 297	TOP PANEL		1	1	1	1	
20	E12 J47 630	OUTDOOR HEAT EXCHANGER		1	1	1	1	
21	E12 A47 301	OUTDOOR FAN MOTOR	MF	1	1	1	1	RC0J50-□□
22	E12 J50 526	DEFROST HEATER	H	1	1			Includes lead assembly
22	E12 P55 526	DEFROST HEATER	H			1	1	Includes lead assembly
23	E12 D65 381	HEATER PROTECTOR	26H	1	1	1	1	
②④	E12 J47 936	CAPILLARY TUBE		1	1	1	1	ø4.0×ø2.4×240
②⑤	E12 F35 936	CAPILLARY TUBE		4	4	4	4	ø3.0×ø2.0×210

MUFZ-KJ25VEHZ- E1, ET1 MUFZ-KJ35VEHZ- E1, ET1
1-2. OUTDOOR UNIT ELECTRICAL PARTS

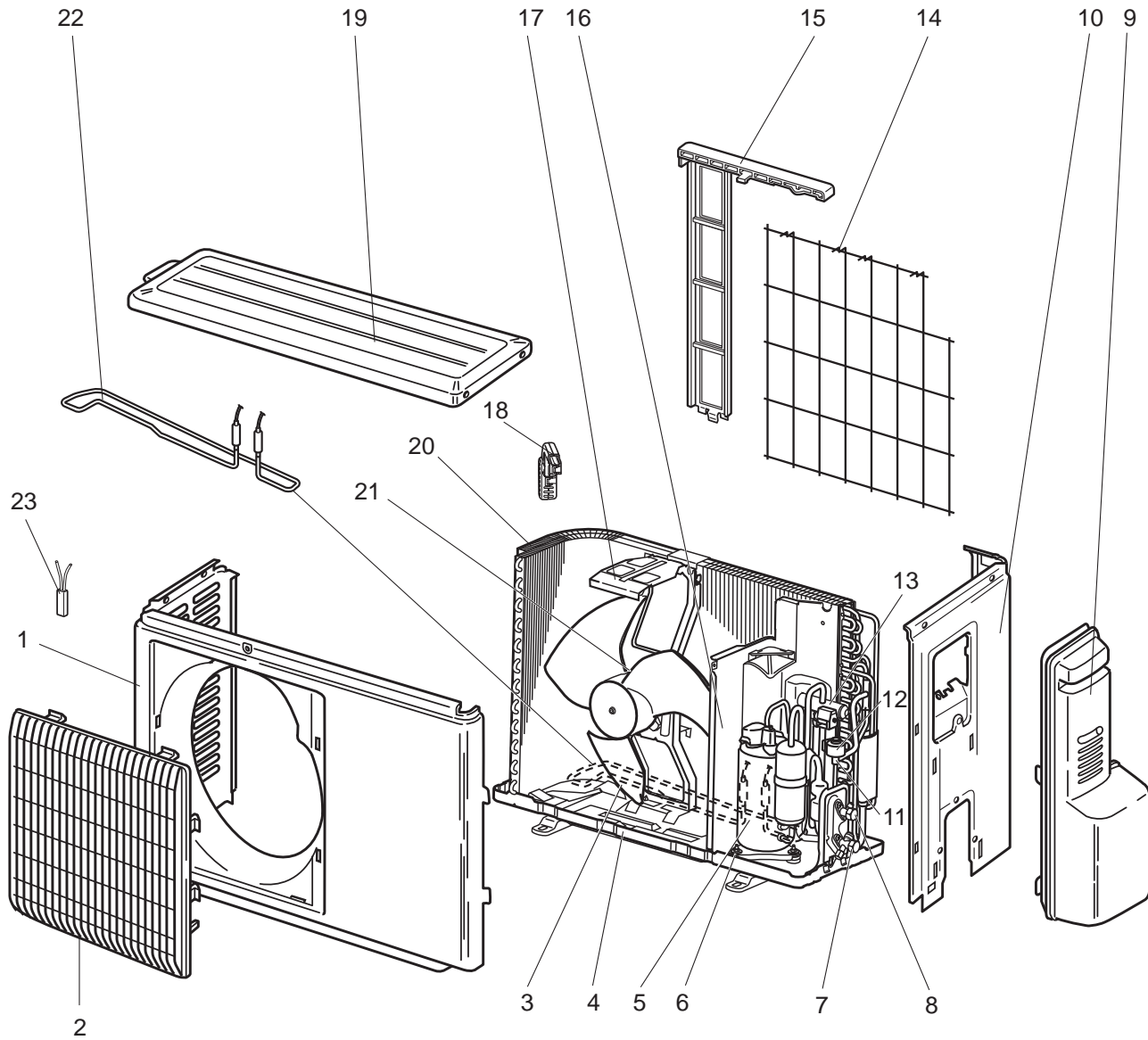


1-2. OUTDOOR UNIT ELECTRICAL PARTS

No.	Part No.	Part Name	Symbol in Wiring Diagram	Q'ty/unit				Remarks
				MUFZ-KJ25VEHZ- [E1]	MUFZ-KJ25VEHZ- [E1]	MUFZ-KJ35VEHZ- [E1]	MUFZ-KJ35VEHZ- [E1]	
1	E12 G11 337	REACTOR	L61	1	1	1	1	
2	E12 C34 306	THERMISTOR SET	RT61, RT62	1	1	1	1	DEFROST, DISCHARGE
3	E12 D65 308	AMBIENT TEMPERATURE THERMISTOR	RT65	1	1	1	1	
4	E12 C34 307	OUTDOOR HEAT EXCHANGER TEMPERATURE THERMISTOR	RT68	1	1	1	1	
5	E12 J47 490	R.V. COIL	21S4	1	1	1	1	
6	E12 735 241	FUSE HOLDER		1	1	1	1	
7	E12 735 382	FUSE	F61	1	1	1	1	T20AL250V
8	E12 G16 374	TERMINAL BLOCK	TB	1	1	1	1	5 P
9	E12 L41 451	INVERTER P.C. BOARD		1	1			Includes heat sink and RT64
9	E12 L42 451	INVERTER P.C. BOARD				1	1	Includes heat sink and RT64

MUFZ-KJ25VEHZ- [E2], [ER1], [ER2], [ET2] MUFZ-KJ35VEHZ- [E2], [ER1], [ER2], [ET2]

1-3. OUTDOOR UNIT STRUCTURAL PARTS AND FUNCTIONAL PARTS

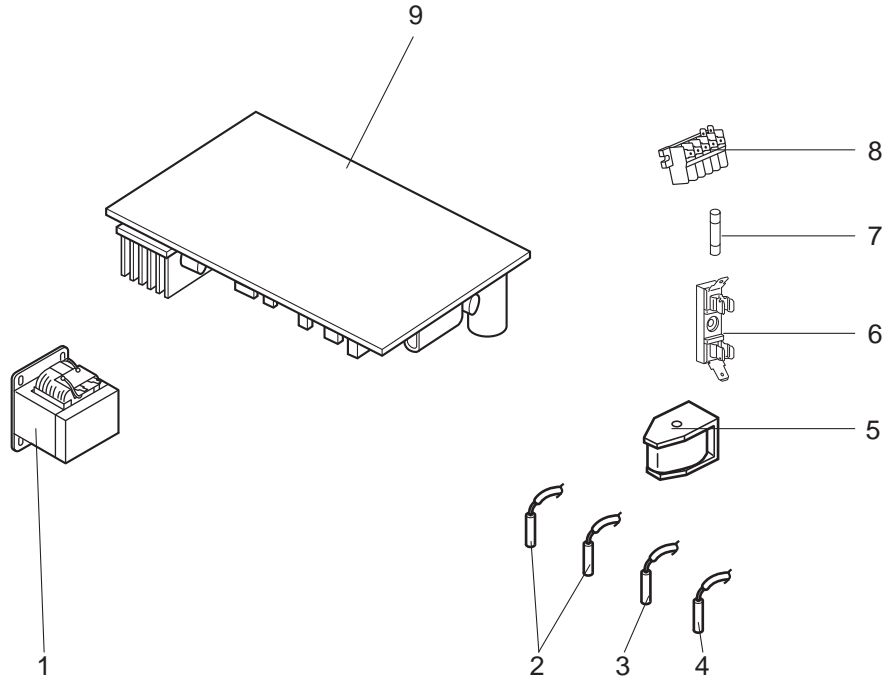


1-3. OUTDOOR UNIT STRUCTURAL PARTS AND FUNCTIONAL PARTS

Part numbers that are circled are not shown in the illustration.

No.	Part No.	Part Name	Symbol in Wiring Diagram	Q'ty/unit								Remarks	
				MUFZ-KJ25VEHZ-				MUFZ-KJ35VEHZ-					
				E2	ER1	ER2	ET2	E2	ER1	ER2	ET2		
1	E22 927 232	CABINET		1	1	1	1	1	1	1	1	1	
2	E22 927 521	GRILLE		1	1	1	1	1	1	1	1	1	
3	E22 927 501	PROPELLER FAN		1	1	1	1	1	1	1	1	1	
4	E22 D70 290	BASE		1	1	1	1	1	1	1	1	1	
5	E22 J47 900	COMPRESSOR	MC	1	1	1	1	1	1	1	1	1	SNB140FRUMT
6	E22 C34 506	COMPRESSOR RUBBER SET		3	3	3	3	3	3	3	3	3	3 RUBBERS/SET
7	E22 T95 661	STOP VALVE (GAS)		1	1	1	1	1	1	1	1	1	ø9.52
8	E22 T95 662	STOP VALVE (LIQUID)		1	1	1	1	1	1	1	1	1	ø6.35
9	E22 927 245	SERVICE PANEL		1	1	1	1	1	1	1	1	1	
10	E22 H24 233	BACK PANEL		1	1	1	1	1	1	1	1	1	
11	E22 A54 640	EXPANSION VALVE		1	1	1	1	1	1	1	1	1	
12	E22 G10 493	EXPANSION VALVE COIL	LEV	1	1	1	1	1	1	1	1	1	
13	E22 J44 961	4-WAY VALVE		1	1	1	1	1	1	1	1	1	
14	E22 930 525	CONDENSER WIRE NET		1	1	1	1	1	1	1	1	1	
15	E22 930 523	CONDENSER NET		1	1	1	1	1	1	1	1	1	
16	E22 G14 293	SEPARATOR		1	1	1	1	1	1	1	1	1	
17	E22 929 515	MOTOR SUPPORT		1	1	1	1	1	1	1	1	1	
18	E22 D84 079	THERMO HOLDER		1	1	1	1	1	1	1	1	1	
19	E22 927 297	TOP PANEL		1	1	1	1	1	1	1	1	1	
20	E22 J47 630	OUTDOOR HEAT EXCHANGER		1	1	1	1	1	1	1	1	1	
21	E22 A47 301	OUTDOOR FAN MOTOR	MF	1	1	1	1	1	1	1	1	1	RC0J50-□□
22	E22 J50 526	DEFROST HEATER	H	1	1	1	1						Includes lead assembly
22	E22 P55 526	DEFROST HEATER	H					1	1	1	1		Includes lead assembly
23	E22 D65 381	HEATER PROTECTOR	26H	1	1	1	1	1	1	1	1	1	
②④	E22 J47 936	CAPILLARY TUBE		1	1	1	1	1	1	1	1	1	ø4.0×ø2.4×240
②⑤	E22 F35 936	CAPILLARY TUBE		4	4	4	4	4	4	4	4	4	ø3.0×ø2.0×210

MUFZ-KJ25VEHZ- [E2], [ER1], [ER2], [ET2] MUFZ-KJ35VEHZ- [E2], [ER1], [ER2], [ET2]
1-4. OUTDOOR UNIT ELECTRICAL PARTS

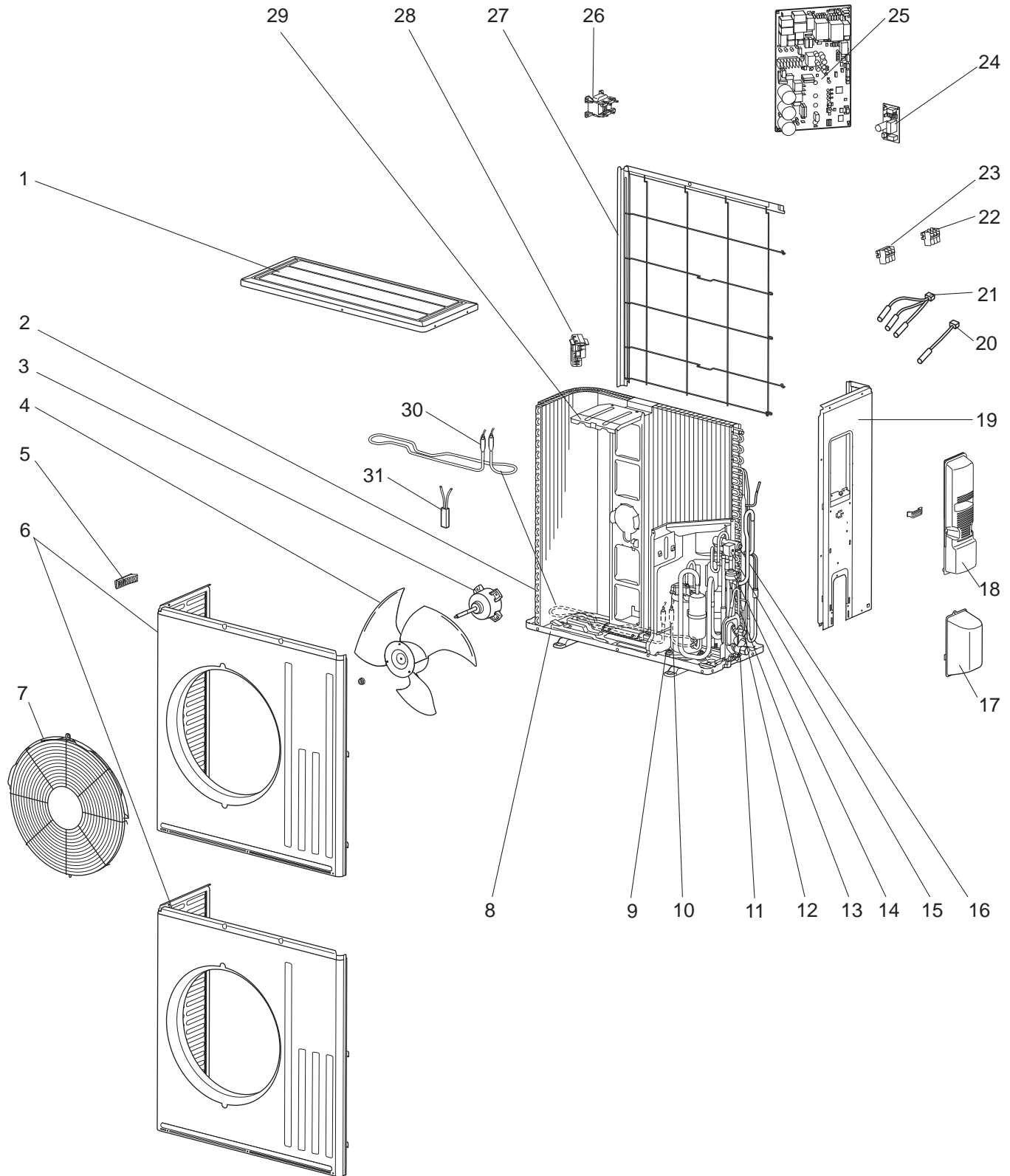


1-4. OUTDOOR UNIT ELECTRICAL PARTS

No.	Part No.	Part Name	Symbol in Wiring Diagram	Q'ty/unit								Remarks
				MUFZ-KJ25VEHZ-				MUFZ-KJ35VEHZ-				
				E2	ER1	ER2	ET2	E2	ER1	ER2	ET2	
1	E22 G11 337	REACTOR	L61	1	1	1	1	1	1	1	1	
2	E22 C34 306	THERMISTOR SET	RT61, RT62	1	1	1	1	1	1	1	1	DEFROST, DISCHARGE
3	E22 D65 308	AMBIENT TEMPERATURE THERMISTOR	RT65	1	1	1	1	1	1	1	1	
4	E22 C34 307	OUTDOOR HEAT EXCHANGER TEMPERATURE THERMISTOR	RT68	1	1	1	1	1	1	1	1	
5	E22 J47 490	R.V. COIL	21S4	1	1	1	1	1	1	1	1	
6	E22 735 241	FUSE HOLDER		1	1	1	1	1	1	1	1	
7	E22 735 382	FUSE	F61	1	1	1	1	1	1	1	1	T20AL250V
8	E22 G16 374	TERMINAL BLOCK	TB		1				1			5 P
8	E22 T95 374	TERMINAL BLOCK	TB	1		1	1	1		1	1	5 P
9	E22 N36 451	INVERTER P.C. BOARD		1	1	1	1					Includes heat sink and RT64
9	E22 N37 451	INVERTER P.C. BOARD						1	1	1	1	Includes heat sink and RT64

MUFZ-KJ50VEHZ- E1, ET1

1-5. OUTDOOR UNIT STRUCTURAL PARTS, ELECTRICAL PARTS AND FUNCTIONAL PARTS



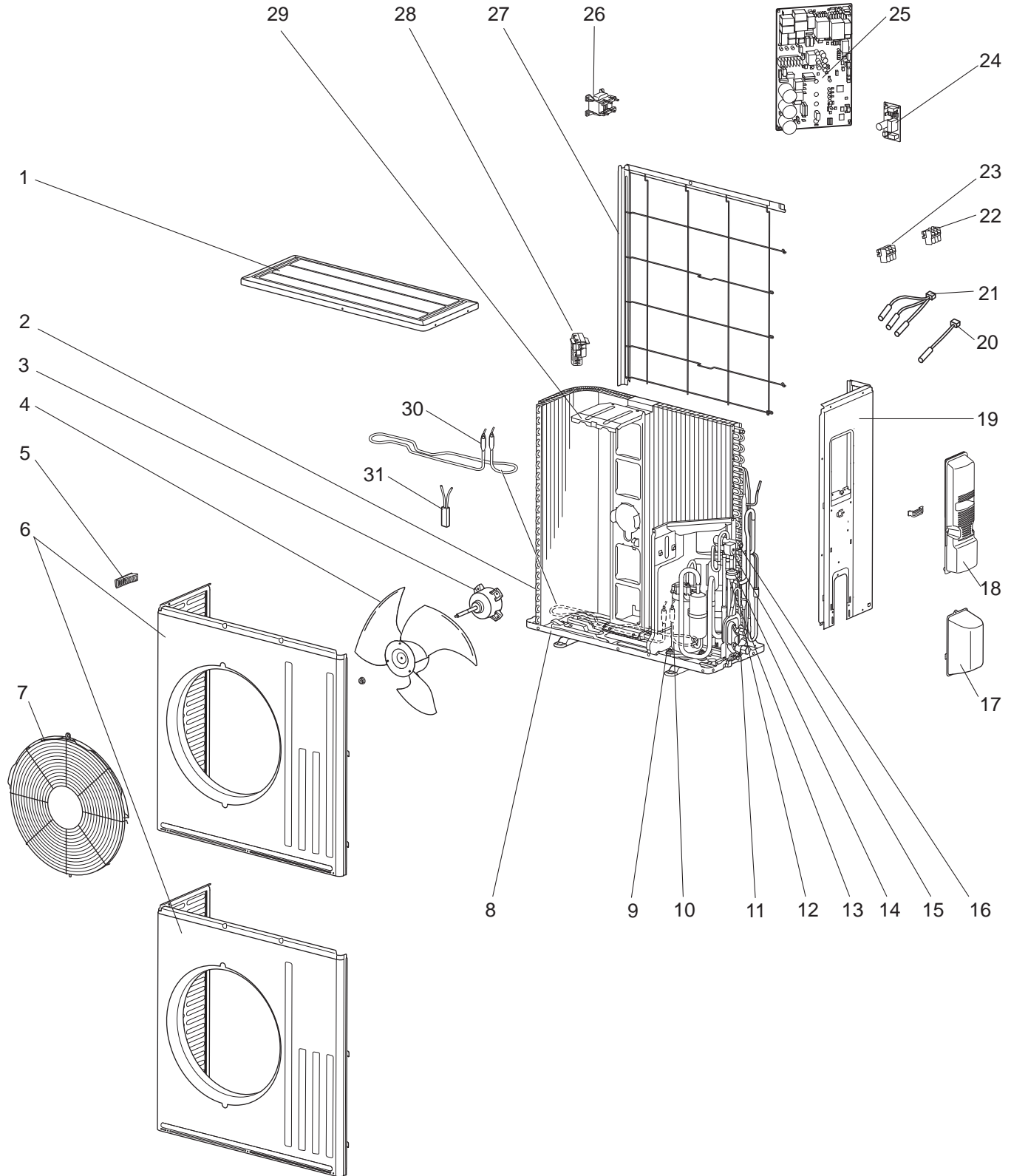
1-5. OUTDOOR UNIT STRUCTURAL PARTS, ELECTRICAL PARTS AND FUNCTIONAL PARTS

Part numbers that is circled is not shown in the illustration.

No.	Part No.	Part Name	Symbol in Wiring Diagram	Q'ty/unit		Remarks
				MUFZ-KJ50VEHZ-		
				E1	ET1	
1	E12 F28 297	TOP PANEL		1	1	
2	E12 J49 630	OUTDOOR HEAT EXCHANGER		1	1	
3	E12 F28 301	OUTDOOR FAN MOTOR	MF	1	1	RC0J60-□□
4	E12 F28 501	PROPELLER FAN		1	1	
5	E12 817 009	HANDLE		1	1	
6	E12 F28 232	CABINET		1	1	
7	E12 F73 521	FAN GUARD		1	1	Includes ice guard
8	E12 H25 290	BASE		1	1	
9	E12 C34 506	COMPRESSOR RUBBER SET		3	3	3 RUBBERS/SET
10	E12 J40 900	COMPRESSOR	MC	1	1	SNB172FEKMT
11	E12 G16 661	STOP VALVE (GAS)		1	1	∅12.7
12	E12 G16 662	STOP VALVE (LIQUID)		1	1	∅6.35
13	E12 851 640	EXPANSION VALVE		1	1	
14	E12 F28 493	EXPANSION VALVE COIL	LEV	1	1	
15	E12 J61 490	R.V. COIL	21S4	1	1	
16	E12 J61 961	4-WAY VALVE		1	1	
17	E12 F28 650	VALVE COVER		1	1	
18	E12 J61 245	SERVICE PANEL		1	1	
19	E12 J52 233	BACK PANEL (OUT)		1	1	
20	E12 J52 309	AMBIENT TEMPERATURE THERMISTOR	RT65	1	1	
21	E12 F28 308	THERMISTOR SET	RT61,RT62, RT68	1	1	DEFROST, DISCHARGE, OUTDOOR HEAT EXCHANGER TEMPERATURE
22	E12 F29 374	TERMINAL BLOCK	TB1	1	1	3 P
23	E12 J61 374	TERMINAL BLOCK	TB2	1	1	3 P
24	E12 J61 445	RELAY P.C. BOARD		1	1	
25	E12 L44 451	INVERTER P.C. BOARD		1	1	Includes heat sink and RT64
26	E12 F28 337	REACTOR	L	1	1	
27	E12 F28 523	CONDENSER NET		1		
27	E12 L87 523	CONDENSER NET			1	
28	E12 J52 079	THERMO HOLDER		1	1	
29	E12 J52 515	MOTOR SUPPORT		1	1	
30	E12 J52 526	DEFROST HEATER	H	1	1	
31	E12 J52 381	HEATER PROTECTOR	26H	1	1	
③2	E12 527 936	CAPILLARY TUBE		1	1	∅4.0 × ∅2.4 × 100

MUFZ-KJ50VEHZ- E2, ER1, ER2, ET2

1-6. OUTDOOR UNIT STRUCTURAL PARTS, ELECTRICAL PARTS AND FUNCTIONAL PARTS



1-6. OUTDOOR UNIT STRUCTURAL PARTS, ELECTRICAL PARTS AND FUNCTIONAL PARTS

Part numbers that is circled is not shown in the illustration.

No.	Part No.	Part Name	Symbol in Wiring Diagram	Q'ty/unit				Remarks
				MUFZ-KJ50VEHZ-				
				E2	ER1	ER2	ET2	
1	E22 F28 297	TOP PANEL		1	1	1	1	
2	E22 J49 630	OUTDOOR HEAT EXCHANGER		1	1	1	1	
3	E22 F28 301	OUTDOOR FAN MOTOR	MF	1	1	1	1	RC0J60-□□
4	E22 F28 501	PROPELLER FAN		1	1	1	1	
5	E22 817 009	HANDLE		1	1	1	1	
6	E22 F28 232	CABINET			1			
6	E22 R13 232	CABINET		1		1	1	
7	E22 F73 521	FAN GUARD		1	1	1	1	Includes ice guard
8	E22 H25 290	BASE		1	1	1	1	
9	E22 C34 506	COMPRESSOR RUBBER SET		3	3	3	3	3 RUBBERS/SET
10	E22 J40 900	COMPRESSOR	MC	1	1	1	1	SNB172FEKMT
11	E22 G16 661	STOP VALVE (GAS)		1	1	1	1	∅12.7
12	E22 G16 662	STOP VALVE (LIQUID)		1	1	1	1	∅6.35
13	E22 851 640	EXPANSION VALVE		1	1	1	1	
14	E22 F28 493	EXPANSION VALVE COIL	LEV	1	1	1	1	
15	E22 J61 490	R.V. COIL	21S4	1	1	1	1	
16	E22 J61 961	4-WAY VALVE		1	1	1	1	
17	E22 F28 650	VALVE COVER		1	1	1	1	
18	E22 J61 245	SERVICE PANEL		1	1	1	1	
19	E22 J52 233	BACK PANEL (OUT)		1	1	1	1	
20	E22 J52 309	AMBIENT TEMPERATURE THERMISTOR	RT65	1	1	1	1	
21	E22 F28 308	THERMISTOR SET	RT61,RT62, RT68	1	1	1	1	DEFROST, DISCHARGE, OUTDOOR HEAT EXCHANGER TEMPERATURE
22	E22 F29 374	TERMINAL BLOCK	TB1	1	1	1	1	3 P
23	E22 J61 374	TERMINAL BLOCK	TB2		1			3 P
23	E22 T97 374	TERMINAL BLOCK	TB2	1		1	1	3 P
24	E22 J61 445	RELAY P.C. BOARD		1	1	1	1	
25	E22 T34 451	INVERTER P.C. BOARD		1	1	1	1	Includes heat sink and RT64
26	E22 F28 337	REACTOR	L	1	1	1	1	
27	E22 F28 523	CONDENSER NET			1			
27	E22 L87 523	CONDENSER NET		1		1	1	
28	E22 J52 079	THERMO HOLDER		1	1	1	1	
29	E22 J52 515	MOTOR SUPPORT		1	1	1	1	
30	E22 J52 526	DEFROST HEATER	H	1	1	1	1	
31	E22 J52 381	HEATER PROTECTOR	26H	1	1	1	1	
32	E22 527 936	CAPILLARY TUBE		1	1	1	1	∅4.0 × ∅2.4 × 100

MITSUBISHI ELECTRIC CORPORATION

HEAD OFFICE: TOKYO BUILDING, 2-7-3, MARUNOUCHI, CHIYODA-KU, TOKYO 100-8310, JAPAN

© Copyright 2013 MITSUBISHI ELECTRIC CORPORATION

Issued: Sep. 2019. No. OBB668 REVISED EDITION-E

Issued: Jan. 2016. No. OBB668 REVISED EDITION-D

Issued: Aug. 2014. No. OBB668 REVISED EDITION-C

Issued: Jan. 2014. No. OBB668 REVISED EDITION-B

Issued: Oct. 2013. No. OBB668 REVISED EDITION-A

Published: Jun. 2013. No. OBB668

Made in Japan

Specifications are subject to change without notice.