

Revision B:

- The compressor capacitors for MU-GF20/25/35VA- **E1** have been changed.

Please void OBB622 REVICED EDITION-A.

OUTDOOR UNIT PARTS CATALOG

No. OBB622
REVISED EDITION-B

Models

MU-GF20VA - **E1**

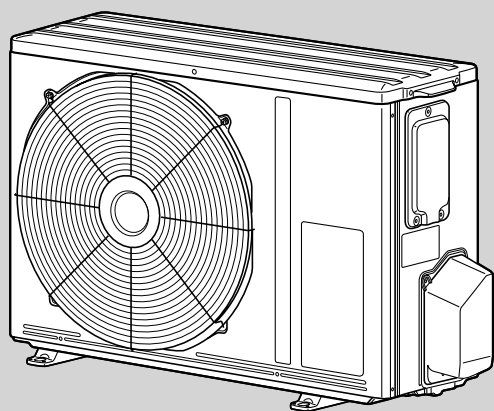
MU-GF25VA - **E1**

MU-GF35VA - **E1**

MU-GF50VA - **E1**

MU-GF60VA - **E1**

MU-GF80VA - **E1**



NOTE:
RoHS compliant products have <G> mark on the spec name plate.

CONTENTS

1. RoHS PARTS LIST..... 2

SERVICE MANUAL (OBH622)

Revision A:

• MU-GF50VA- [E1], MU-GF60VA- [E1] and MU-GF80VA- [E1] have been added.

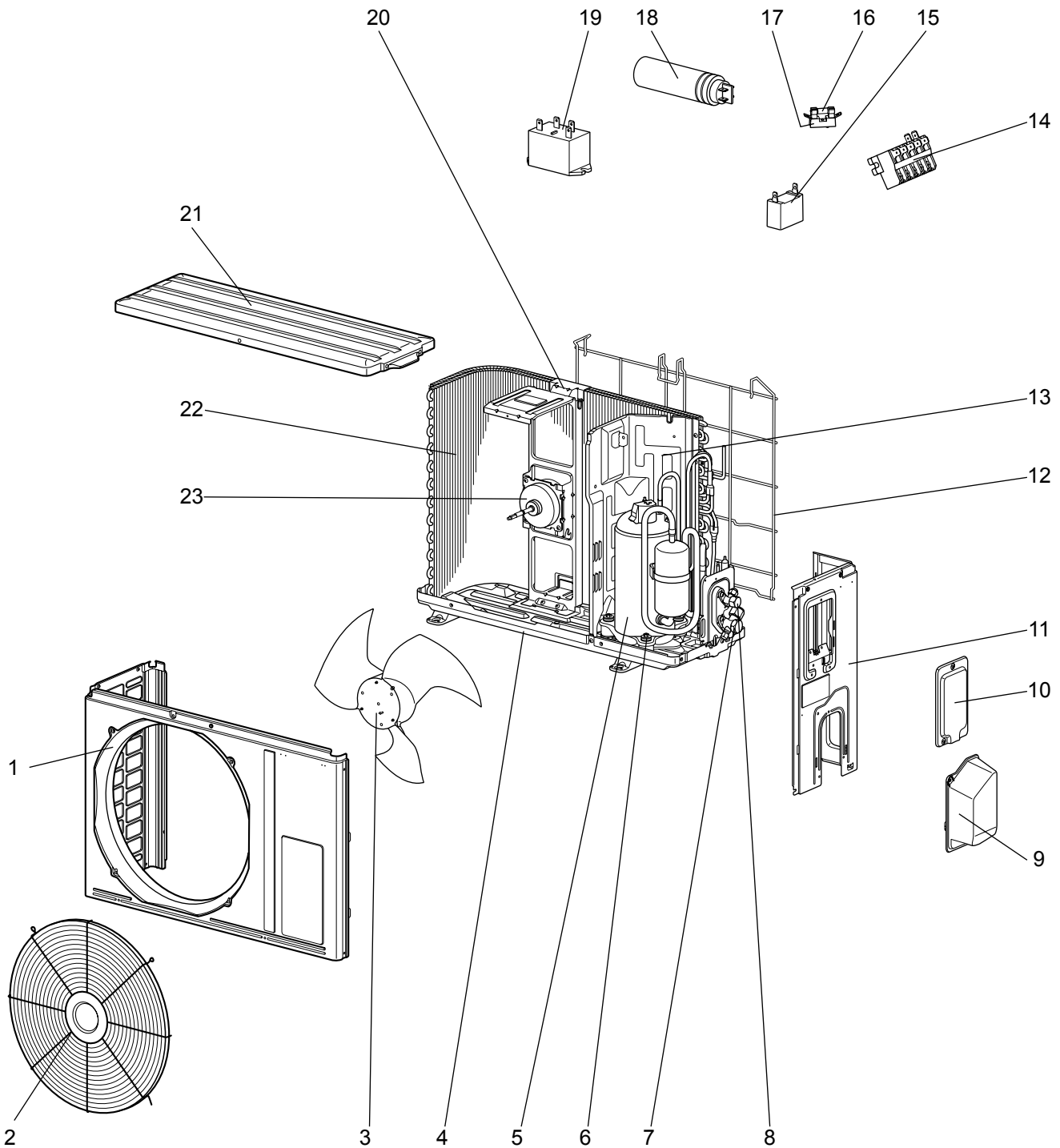
Revision B:

• The compressor capacitors for MU-GF20/25/35VA- [E1] have been changed.

1 RoHS PARTS LIST

MU-GF20VA MU-GF25VA MU-GF35VA

1-1. OUTDOOR UNIT STRUCTURAL PARTS AND FUNCTIONAL PARTS



RoHS PARTS LIST

1-1. OUTDOOR UNIT STRUCTURAL PARTS AND FUNCTIONAL PARTS

Part number that is circled is not shown in the illustration.

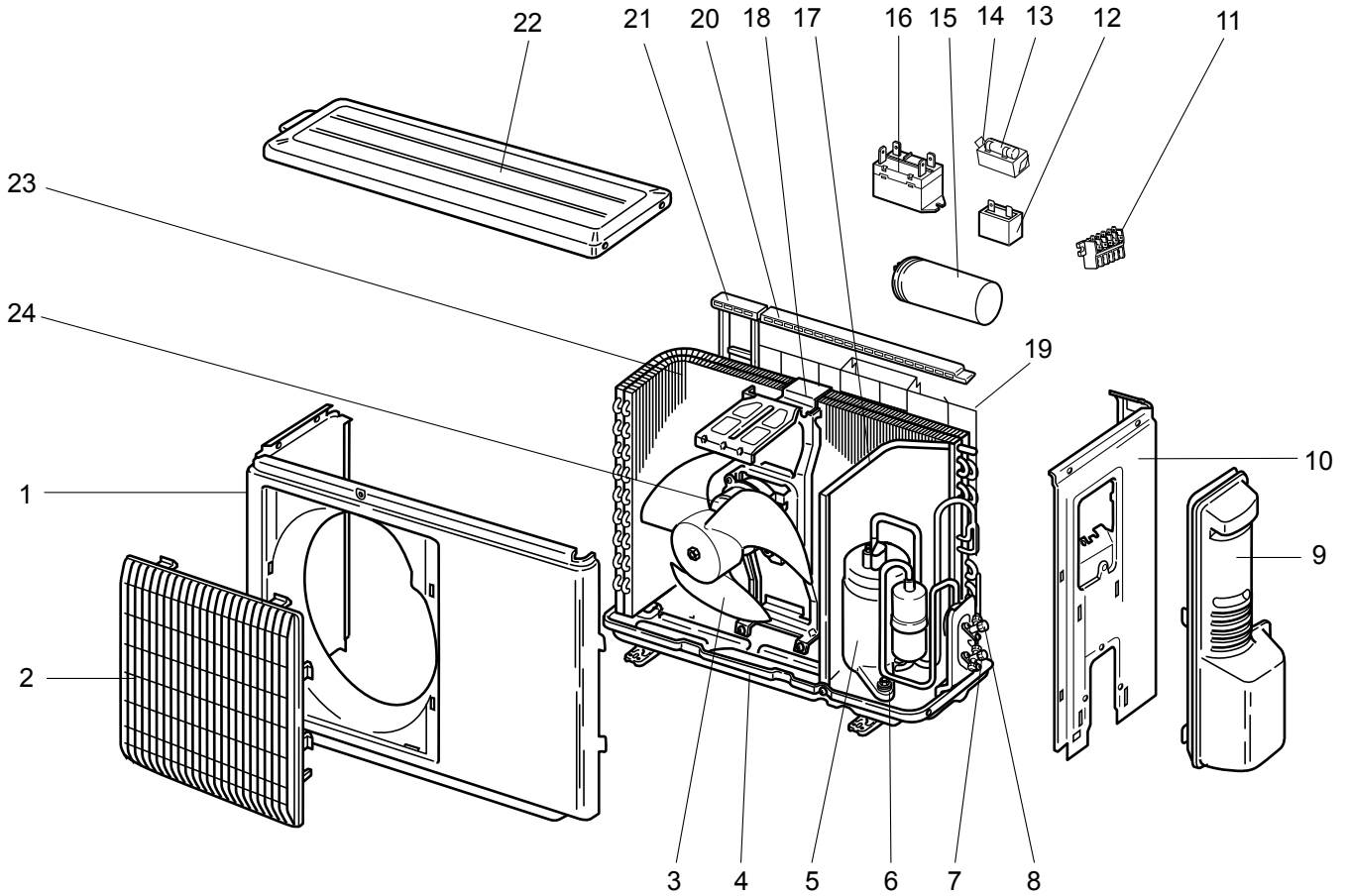
NO.	RoHS	Part No.	Part Name	Symbol in Wiring Diagram	Q'ty/unit			Remarks
					MU-GF 20VA- [E1]	MU-GF 25VA- [E1]	MU-GF 35VA- [E1]	
1	G	E12 H07 232	CABINET		1	1	1	
2	G	E12 F43 521	FAN GUARD		1	1	1	
3	G	E12 B72 501	PROPELLER		1	1		
	G	E12 665 501	PROPELLER				1	
4	G	E12 F43 290	BASE		1	1		
	G	E12 F44 290	BASE				1	
5	G	E12 H06 900	COMPRESSOR	MC	1			KN083VDPMC
	G	E12 H07 900	COMPRESSOR	MC		1		KN092VDPMC
	G	E12 H08 900	COMPRESSOR	MC			1	RN135VHSMT
6	G	E12 065 506	COMPRESSOR RUBBER SET		3	3		3 RUBBERS/SET
	G	E12 075 506	COMPRESSOR RUBBER SET				3	3 RUBBERS/SET
7	G	E12 901 661	STOP VALVE (GAS)		1	1	1	φ9.52
8	G	E12 H07 662	STOP VALVE (LIQUID)		1	1	1	φ6.35
9	G	E12 F43 650	VALVE COVER		1	1	1	
10	G	E12 F43 245	SERVICE PANEL		1	1	1	
11	G	E12 F43 233	BACK PANEL		1	1	1	
12	G	E12 H07 525	CONDENSER WIRE NET		1	1		
	G	E12 H08 525	CONDENSER WIRE NET				1	
13	G	E12 H07 293	SEPARATOR		1	1		
	G	E12 H08 293	SEPARATOR				1	
14	G	E12 F43 374	TERMINAL BLOCK	TB	1	1	1	5 P
15	G	E12 A45 351	OUTDOOR FAN CAPACITOR	C2	1	1		1.8 μF/440 VAC
	G	E12 A94 351	OUTDOOR FAN CAPACITOR	C2			1	2.0 μF/440 VAC
16	G	E12 A49 382	FUSE	F	1	1	1	T3.15AL250V
17	G	E17 001 241	FUSE HOLDER		1	1	1	
18	G	E12 694 353	COMPRESSOR CAPACITOR	C1	1	1		25 μF/440 VAC
	G	E12 696 353	COMPRESSOR CAPACITOR	C1			1	30 μF/440 VAC
19	G	E12 B86 340	COMPRESSOR CONTACTOR	52C	1	1	1	
20	G	E12 F43 515	MOTOR SUPPORT		1	1		
	G	F12 F44 515	MOTOR SUPPORT				1	
21	G	E12 F43 297	TOP PANEL		1	1	1	
22	G	E12 H07 630	OUTDOOR HEAT EXCHANGER		1	1		
	G	E12 F87 630	OUTDOOR HEAT EXCHANGER				1	
23	G	E12 B86 301	OUTDOOR FAN MOTOR	MF	1	1		RA6V21-□□
	G	E12 C43 301	OUTDOOR FAN MOTOR	MF			1	RA6V33-□□
24	G	E12 B14 936	CAPILLARY TUBE		1	1		φ3.0 x φ1.4 x 900
	G	E12 441 936	CAPILLARY TUBE				1	φ3.0 x φ1.4 x 550

RoHS PARTS LIST

MU-GF50VA

1-2. OUTDOOR UNIT

STRUCTURAL PARTS, ELECTRICAL PARTS AND FUNCTIONAL PARTS



RoHS PARTS LIST

MU-GF50VA

1-2. OUTDOOR UNIT

STRUCTURAL PARTS, ELECTRICAL PARTS AND FUNCTIONAL PARTS

Part number that is circled is not shown in the illustration.

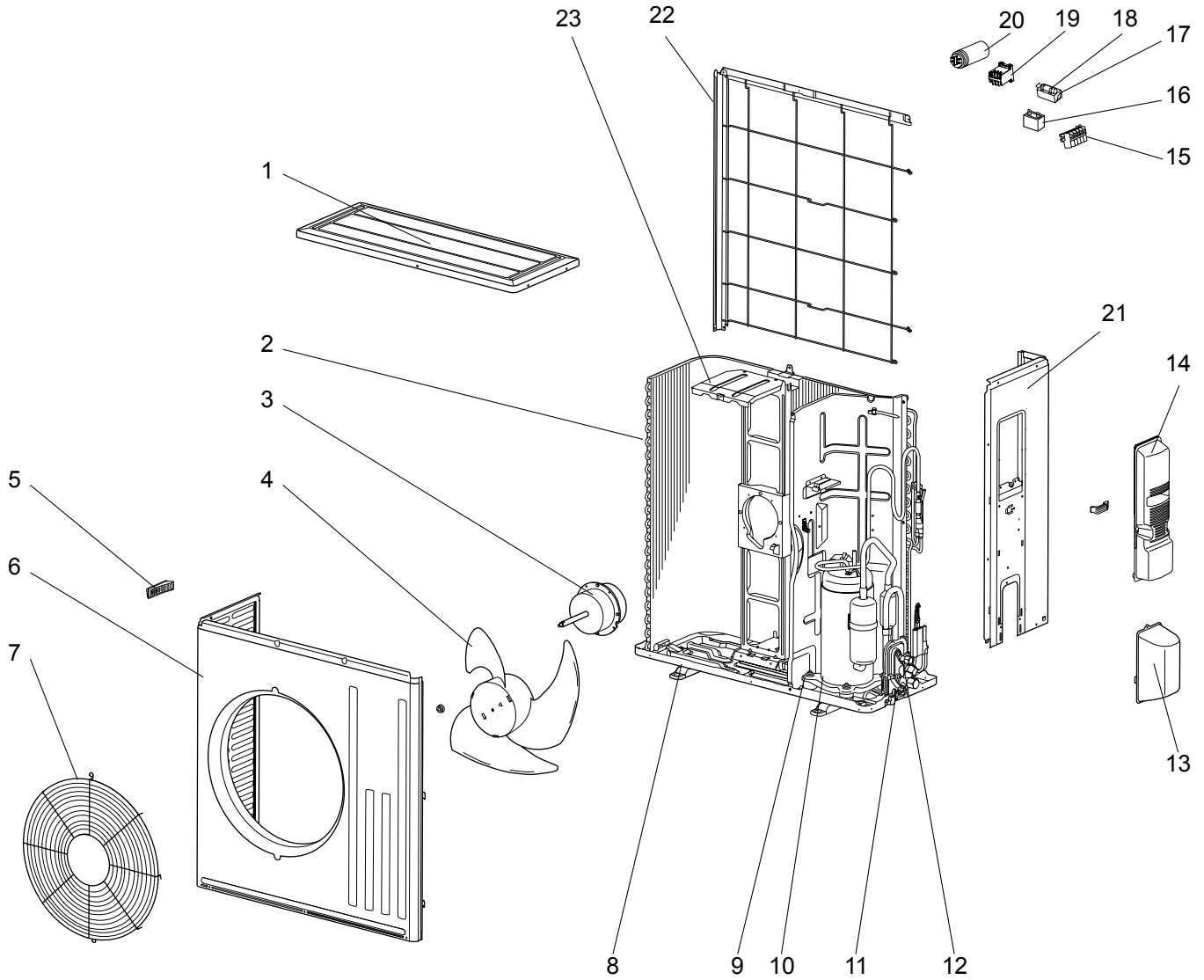
No	RoHS	Parts No.	Parts Name	Symbol in Wiring Diagram	Q'ty/unit	Remakes
					MU-GF50VA-[E1]	
1	G	E12 903 232	CABINET		1	
2	G	E12 927 521	GRILLE		1	
3	G	E12 665 501	PROPELLER		1	
4	G	E12 H09 290	BASE		1	
5	G	E12 H09 900	COMPRESSOR	MC	1	RN174VHSMT
6	G	E12 075 506	COMPRESSOR RUBBER SET		3	3 RUBBERS/SET
7	G	E12 H09 661	STOP VALVE (GAS)		1	φ12.7
8	G	E12 B14 662	STOP VALVE (LIQUID)		1	φ6.35
9	G	E12 927 245	SERVICE PANEL		1	
10	G	E12 B63 233	BACK PANEL		1	
11	G	E12 F43 374	TERMINAL BLOCK	TB	1	5P
12	G	E12 A94 351	OUTDOOR FAN CAPACITOR	C2	1	2.0 μF/440 VAC
13	G	E12 A49 382	FUSE	F	1	T3.15AL250V
14	G	E17 001 241	FUSE HOLDER		1	
15	G	E12 H09 353	COMPRESSOR CAPACITOR	C1	1	35 μF/450 VAC
16	G	E12 B86 340	COMPRESSOR CONTACTOR	52C	1	
17	G	E12 H09 293	SEPARATOR		1	
18	G	E12 B63 515	MOTOR SUPPORT		1	
19	G	E12 C39 525	CONDENSER NET WIRE		1	
20	G	E12 B64 523	CONDENSER NET (B)		1	
21	G	E12 B63 523	CONDENSER NET (A)		1	
22	G	E12 927 297	TOP PANEL		1	
23	G	E12 F81 630	OUTDOOR HEAT EXCHANGER		1	
24	G	E12 C43 301	OUTDOOR FAN MOTOR	MF	1	RA6V33 - □ □
(25)	G	E12 042 937	CAPILLARY TUBE		1	φ 3.0 x φ 1.6 x 550

RoHS PARTS LIST

MU-GF60VA

1-3. OUTDOOR UNIT

STRUCTURAL PARTS, ELECTRICAL PARTS AND FUNCTIONAL PARTS



RoHS PARTS LIST

MU-GF60VA

1-3. OUTDOOR UNIT

STRUCTURAL PARTS, ELECTRICAL PARTS AND FUNCTIONAL PARTS

Part numbers that are circled are not shown in the illustration.

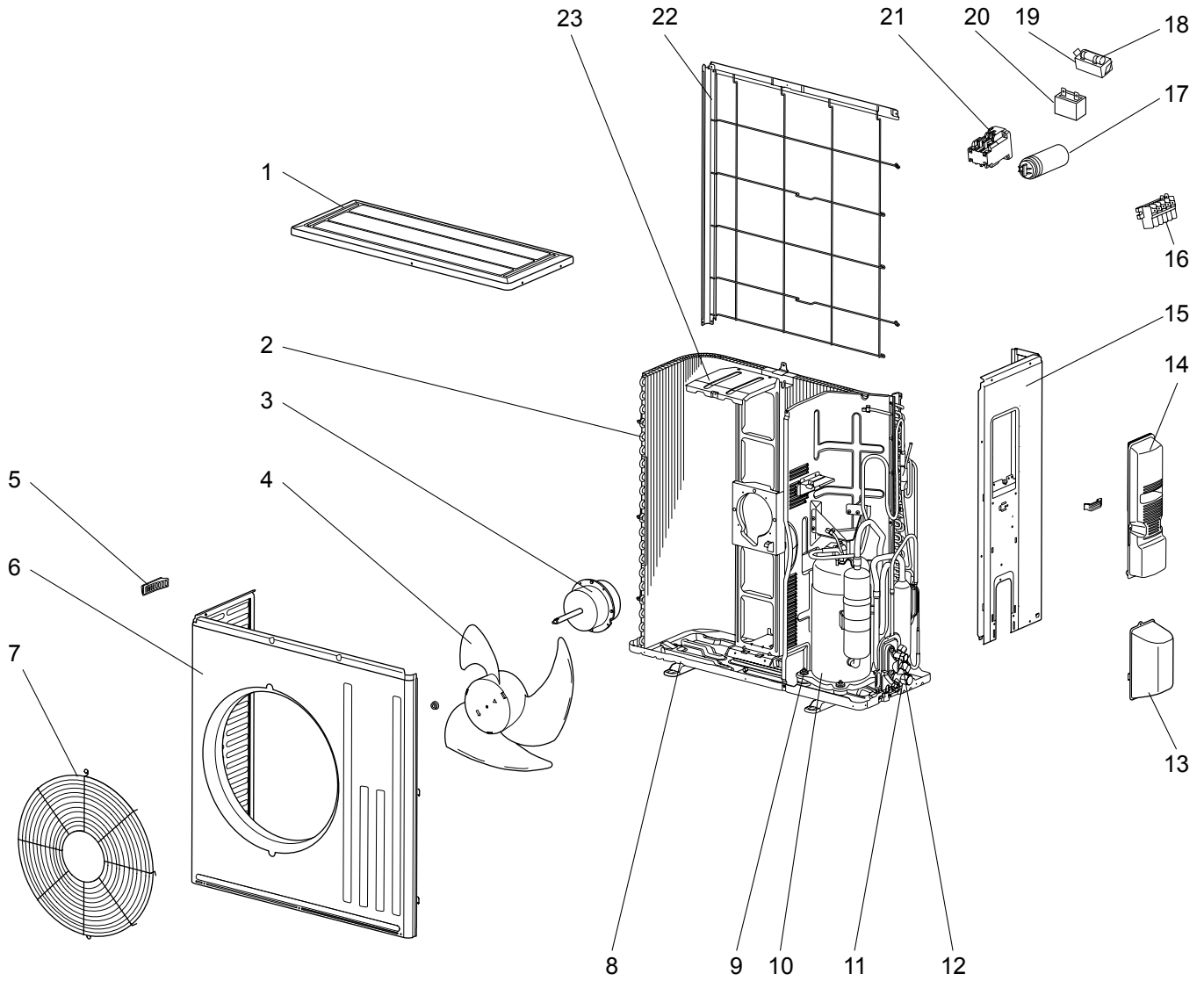
No.	RoHS	Part No.	Part Name	Symbol in Wiring Diagram	Q'ty/unit	Remarks
					MU-GF60VA- ^[E1]	
1	G	E12 F28 297	TOP PANEL		1	
2	G	E12 H10 630	OUTDOOR HEAT EXCHANGER		1	
3	G	E12 D12 301	OUTDOOR FAN MOTOR	MF	1	RA6V75-□□
4	G	E12 214 501	PROPELLER		1	
5	G	E12 817 009	HANDLE		1	
6	G	E12 F35 232	CABINET		1	
7	G	E12 F28 521	FAN GUARD		1	
8	G	E12 686 290	BASE		1	
9	G	E12 267 506	COMPRESSOR RUBBER SET		4	4 RUBBERS/SET
10	G	E12 H10 900	COMPRESSOR	MC	1	PN25VABMT
11	G	E12 F28 661	STOP VALVE (GAS)		1	∅15.88
12	G	E12 H10 662	STOP VALVE (LIQUID)		1	∅6.35
13	G	E12 F28 650	VALVE COVER		1	
14	G	E12 F28 245	SERVICE PANEL		1	
15	G	E12 F43 374	TERMINAL BLOCK	TB	1	5 P
16	G	E12 A44 351	OUTDOOR FAN CAPACITOR	C2	1	4.0 μF/440 VAC
17	G	E17 001 241	FUSE HOLDER		1	
18	G	E12 A49 382	FUSE	F	1	T3.15AL250V
19	G	E12 J10 340	COMPRESSOR CONTACTOR	52C	1	
20	G	E12 F83 353	COMPRESSOR CAPACITOR	C1	1	60 μF/450 VAC
21	G	E12 F35 233	BACK PANEL (OUT)		1	
22	G	E12 F85 523	REAR GUARD		1	
23	G	E12 H10 515	MOTOR SUPPORT		1	
(24)	G	E12 238 936	CAPILLARY TUBE		1	∅3.0 × ∅2.0 × 600

RoHS PARTS LIST

MU-GF80VA

1-4. OUTDOOR UNIT

STRUCTURAL PARTS, ELECTRICAL PARTS AND FUNCTIONAL PARTS



RoHS PARTS LIST

MU-GF80VA

1-4. OUTDOOR UNIT STRUCTURAL PARTS, ELECTRICAL PARTS AND FUNCTIONAL PARTS

Part numbers that are circled are not shown in the illustration.

No.	RoHS	Part No.	Part Name	Symbol in Wiring Diagram	Q'ty/unit	Remarks
					MU-GF80VA - <input type="checkbox"/> E1	
1	G	E12 F28 297	TOP PANEL		1	
2	G	E12 H11 630	OUTDOOR HEAT EXCHANGER		1	
3	G	E12 947 301	OUTDOOR FAN MOTOR	MF	1	RA6V75 - <input type="checkbox"/> <input type="checkbox"/>
4	G	E12 214 501	PROPELLER		1	
5	G	E12 817 009	HANDLE		1	
6	G	E12 F35 232	CABINET		1	
7	G	E12 F28 521	FAN GUARD		1	
8	G	E12 F85 290	BASE		1	
9	G	E12 527 506	COMPRESSOR RUBBER SET		4	4 RUBBERS/SET
10	G	E12 H11 900	COMPRESSOR	MC	1	NN33VAAMT
11	G	E12 H11 661	STOP VALVE (GAS)		1	ø15.88
12	G	E12 H11 662	STOP VALVE (LIQUID)		1	ø9.52
13	G	E12 F28 650	VALVE COVER		1	
14	G	E12 F28 245	SERVICE PANEL		1	
15	G	E12 F35 233	BACK PANEL (OUT)		1	
16	G	E12 F43 374	TERMINAL BLOCK	TB	1	5 P
17	G	E12 A44 351	OUTDOOR FAN CAPACITOR	C2	1	4.0 µF/440 VAC
18	G	E12 A49 382	FUSE	F	1	T3.15AL250V
19	G	E17 001 241	FUSE HOLDER		1	
20	G	E12 H10 353	COMPRESSOR CAPACITOR	C1	1	55 µF/450 VAC
21	G	E12 C95 340	COMPRESSOR CONTACTOR	52C	1	
22	G	E12 F85 523	REAR GUARD		1	
23	G	E12 F35 515	MOTOR SUPPORT		1	
24	G	E12 H36 936	CAPILLARY TUBE		1	ø 4.0 × ø 2.4 × 600

mitsubishi electric corporation

HEAD OFFICE: TOKYO BLDG., 2-7-3, MARUNOUCHI, CHIYODA-KU, TOKYO 100-8310, JAPAN

© Copyright 2012 MITSUBISHI ELECTRIC CORPORATION
Distributed in Jul. 2013. No. OBB622 REVISED EDITION-B
Distributed in Feb. 2013. No. OBB622 REVISED EDITION-A
Distributed in Oct. 2012. No. OBB622
Made in Japan

New publication, effective Jul. 2013
Specifications are subject to change without notice.