

Revision A:

• MSZ-EF18/22/25/35/42/50VGW/B/S - **E2**,
MSZ-EF22/25/35/42/50VGW/B/S - **ET2**,
MSZ-EF18/22/25/35/42/50VGKW/B/S - **E1** and
MSZ-EF22/25/35/42/50VGKW/B/S - **ET1**
have been added.
OBB831 is void.

INDOOR UNIT PARTS CATALOG

No. OBB831
REVISED EDITION-A

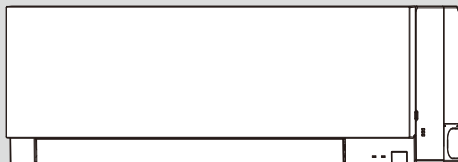
Models

MSZ-EF18VGW/B/S - E1 , E2	MSZ-EF18VGKW/B/S - E1
MSZ-EF22VGW/B/S - E1 , ET1 , E2 , ET2	MSZ-EF22VGKW/B/S - E1 , ET1
MSZ-EF25VGW/B/S - E1 , ET1 , E2 , ET2	MSZ-EF25VGKW/B/S - E1 , ET1
MSZ-EF35VGW/B/S - E1 , ET1 , E2 , ET2	MSZ-EF35VGKW/B/S - E1 , ET1
MSZ-EF42VGW/B/S - E1 , ET1 , E2 , ET2	MSZ-EF42VGKW/B/S - E1 , ET1
MSZ-EF50VGW/B/S - E1 , ET1 , E2 , ET2	MSZ-EF50VGKW/B/S - E1 , ET1

CONTENTS

1. SERVICE PARTS LIST.....	2
2. OPTIONAL PARTS.....	27

SERVICE MANUAL (OBH831)



MSZ-EF-VGW/VGKW
MSZ-EF-VGB/VGKB
MSZ-EF-VGS/VGKS



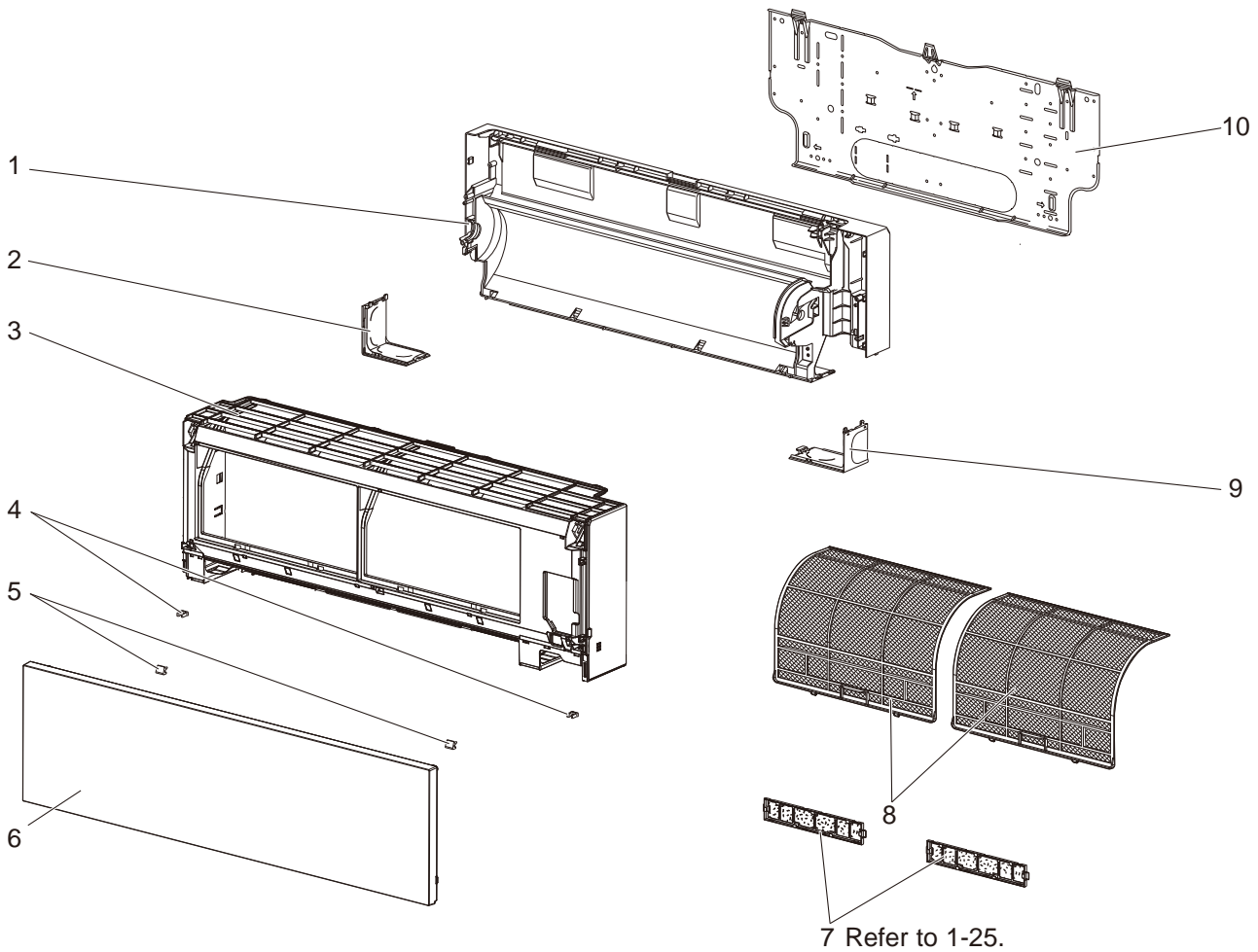
Revision A:

• MSZ-EF18/22/25/35/42/50VGW/B/S - E2, MSZ-EF22/25/35/42/50VGW/B/S - E2,
MSZ-EF18/22/25/35/42/50VGKW/B/S - E1 and MSZ-EF22/25/35/42/50VGKW/B/S - E1 have been added.

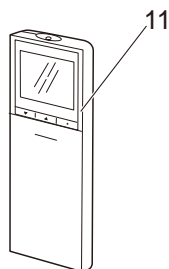
1 SERVICE PARTS LIST

- MSZ-EF18VGW - E1 MSZ-EF18VGB - E1 MSZ-EF18VGS - E1
- MSZ-EF22VGW - E1 MSZ-EF22VGB - E1 MSZ-EF22VGS - E1
- MSZ-EF25VGW - E1 MSZ-EF25VGB - E1 MSZ-EF25VGS - E1
- MSZ-EF35VGW - E1 MSZ-EF35VGB - E1 MSZ-EF35VGS - E1
- MSZ-EF42VGW - E1 MSZ-EF42VGB - E1 MSZ-EF42VGS - E1
- MSZ-EF50VGW - E1 MSZ-EF50VGB - E1 MSZ-EF50VGS - E1

1-1. INDOOR UNIT STRUCTURAL PARTS



1-2. ACCESSORY AND REMOTE CONTROLLER



1-1. INDOOR UNIT STRUCTURAL PARTS

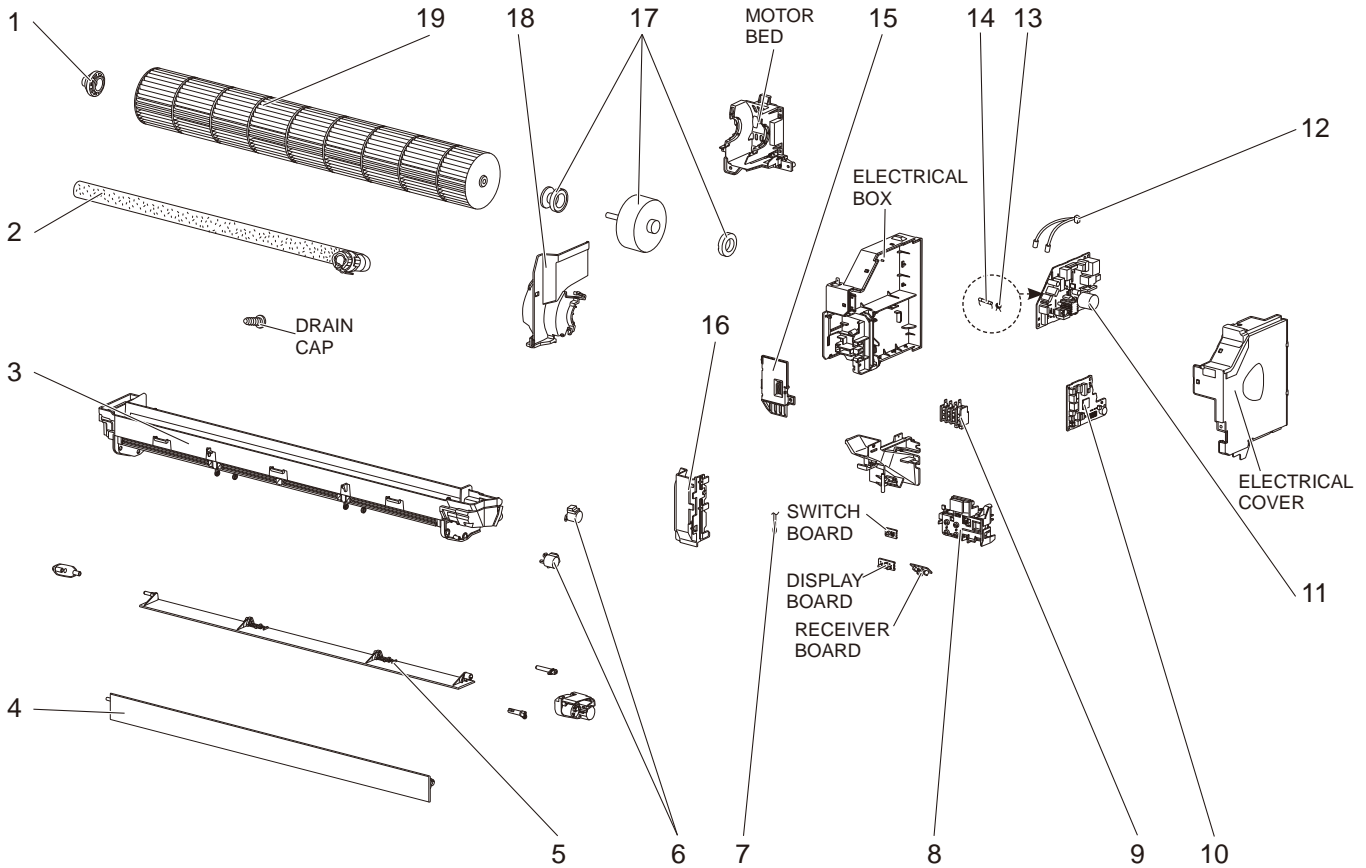
No.	Part No.	Part name	Symbol in Wiring Diagram	Q'ty/unit																		Remarks			
				MSZ-EF																					
				18			22			25			35			42			50						
VGW -E1	VGB -E1	VGS -E1	VGW -E1	VGB -E1	VGS -E1	VGW -E1	VGB -E1	VGS -E1	VGW -E1	VGB -E1	VGS -E1	VGW -E1	VGB -E1	VGS -E1	VGW -E1	VGB -E1	VGS -E1								
1	E22 16H 234	BOX ASSEMBLY		1			1			1			1			1			1						
	E22 G21 234				1				1				1				1				1				
	E22 G26 234					1					1					1					1				1
2	E22 16H 976	CORNER BOX LEFT		1			1			1			1			1			1						
	E22 G21 976				1				1				1				1				1				
	E22 G26 976					1					1					1					1				1
3	E22 16H 000	PANEL ASSEMBLY		1			1			1			1			1			1			Includes No. 4, 6			
	E22 14H 000				1				1				1				1				1				
	E22 15H 000					1					1					1					1				1
4	E22 F95 142	CATCH		2	2	2	2	2	2	2	2	2	2	2	2	2	2	2	2	2	2	2	2	2	2 PCS/SET
5	E22 16H 067	SCREW CAP		2			2			2			2			2			2			2 PCS/SET			
	E22 G21 067				2				2				2				2				2				
	E22 G26 067					2					2					2					2				2
6	E22 16H 010	FRONT PANEL		1			1			1			1			1			1						
	E22 T25 010				1				1				1				1				1				
	E22 T29 010					1					1					1					1				1
7	—	AIR CLEANING FILTER (SILVER-IONIZED AIR PURIFIER FILTER)		2	2	2	2	2	2	2	2	2	2	2	2	2	2	2	2	2	2	2	2	2	1 PC/SET
8	E22 16H 100	AIR FILTER (AIR PURIFYING FILTER)		2	2	2	2	2	2	2	2	2	2	2	2	2	2	2	2	2	2	2	2	2	1 PC/SET
9	E22 16H 975	CORNER BOX RIGHT		1			1			1			1			1			1						
	E22 G21 975				1				1				1				1				1				
	E22 G26 975					1					1					1					1				1
10	E22 F95 970	INSTALLATION PLATE		1	1	1	1	1	1	1	1	1	1	1	1	1	1	1	1	1	1	1	1	1	

1-2. ACCESSORY AND REMOTE CONTROLLER

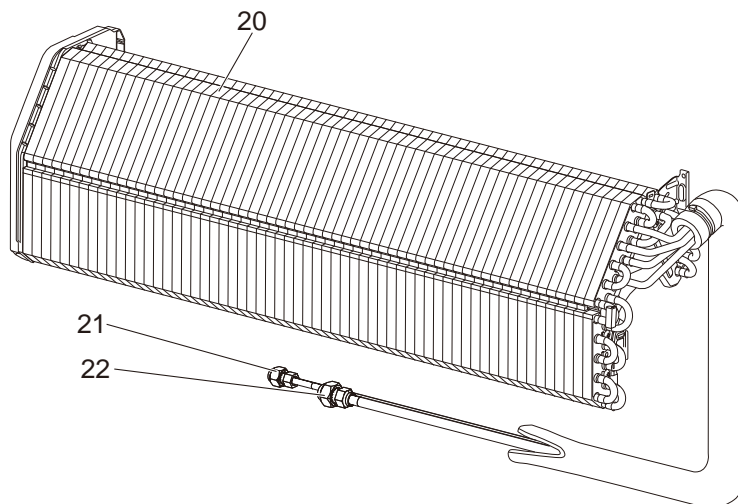
No.	Part No.	Part name	Symbol in Wiring Diagram	Q'ty/unit																		Remarks
				MSZ-EF																		
				18			22			25			35			42			50			
VGW -E1	VGB -E1	VGS -E1	VGW -E1	VGB -E1	VGS -E1	VGW -E1	VGB -E1	VGS -E1	VGW -E1	VGB -E1	VGS -E1	VGW -E1	VGB -E1	VGS -E1	VGW -E1	VGB -E1	VGS -E1					
11	E22 16H 426	REMOTE CONTROLLER		1			1			1			1			1			1			SG19A
	E22 14H 426				1	1			1	1			1	1			1	1			1	

MSZ-EF18VGW - E1 MSZ-EF18VGB - E1 MSZ-EF18VGS - E1
MSZ-EF22VGW - E1 MSZ-EF22VGB - E1 MSZ-EF22VGS - E1
MSZ-EF25VGW - E1 MSZ-EF25VGB - E1 MSZ-EF25VGS - E1
MSZ-EF35VGW - E1 MSZ-EF35VGB - E1 MSZ-EF35VGS - E1
MSZ-EF42VGW - E1 MSZ-EF42VGB - E1 MSZ-EF42VGS - E1
MSZ-EF50VGW - E1 MSZ-EF50VGB - E1 MSZ-EF50VGS - E1

1-3. INDOOR UNIT ELECTRICAL PARTS AND FUNCTIONAL PARTS



1-4. INDOOR UNIT HEAT EXCHANGER



1-3. INDOOR UNIT ELECTRICAL PARTS AND FUNCTIONAL PARTS

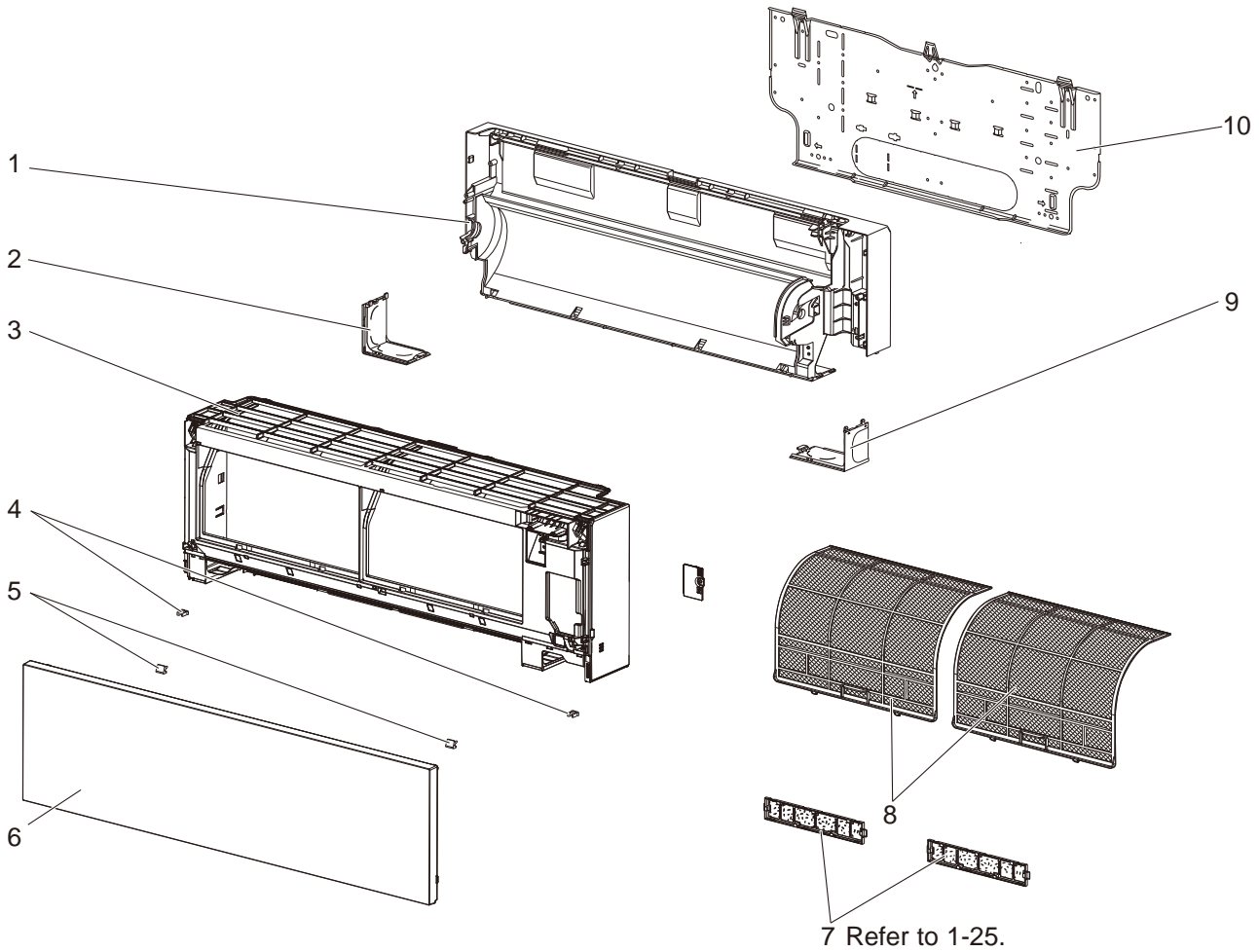
No.	Part No.	Part name	Symbol in Wiring Diagram	Q'ty/unit																		Remarks
				MSZ-EF																		
				18			22			25			35			42			50			
VGW	VGB	VGS	VGW	VGB	VGS	VGW	VGB	VGS	VGW	VGB	VGS	VGW	VGB	VGS	VGW	VGB	VGS					
-E1	-E1	-E1	-E1	-E1	-E1	-E1	-E1	-E1	-E1	-E1	-E1	-E1	-E1	-E1	-E1	-E1	-E1					
1	E22 A89 509	BEARING MOUNT		1	1	1	1	1	1	1	1	1	1	1	1	1	1	1	Includes Sleeve bearing			
2	E22 P72 702	DRAIN HOSE		1	1	1	1	1	1	1	1	1	1	1	1	1	1	1				
3	E22 16H 235	NOZZLE ASSEMBLY		1		1			1			1			1			1	Full assembly except DRAIN HOSE			
	E22 G21 235			1		1			1			1			1			1				
	E22 G26 235			1		1			1			1			1			1				
4	E22 16H 040	VANE UPPER		1		1			1			1			1			1				
	E22 G21 040			1		1			1			1			1			1				
	E22 G26 040			1		1			1			1			1			1				
5	E22 16H 041	VANE LOWER		1		1			1			1			1			1				
	E22 G21 041			1		1			1			1			1			1				
	E22 G26 041			1		1			1			1			1			1				
6	E22 A89 303	VANE MOTOR	MV	2	2	2	2	2	2	2	2	2	2	2	2	2	2	2	UP & DOWN, 1 PC/SET			
7	E22 F95 308	ROOM TEMPERATURE THERMISTOR	RT11	1	1	1	1	1	1	1	1	1	1	1	1	1	1	1				
8	E22 F95 095	DISPLAY P.C. BOARD HOLDER		1	1	1	1	1	1	1	1	1	1	1	1	1	1	1				
9	E22 T21 375	TERMINAL BLOCK	TB	1	1	1	1	1	1	1	1	1	1	1	1	1	1	1				
10	E22 17H 452	ELECTRONIC CONTROL P.C. BOARD		1	1	1	1	1	1										Includes RECEIVER P.C. BOARD, DISPLAY P.C. BOARD and SWITCH P.C. BOARD.			
	E22 22H 452								1	1	1											
	E22 25H 452									1	1	1										
	E22 28H 452												1	1	1							
	E22 31H 452															1	1	1				
11	E22 17H 440	POWER P.C. BOARD		1	1	1	1	1	1	1	1	1	1	1	1	1	1	1				
12	E22 F95 307	INDOOR COIL THERMISTOR	RT12,RT13	1	1	1	1	1	1	1	1	1	1	1	1	1	1	1				
13	E22 B75 385	VARISTOR	NR11	1	1	1	1	1	1	1	1	1	1	1	1	1	1	1				
14	E22 A49 382	FUSE	F11	1	1	1	1	1	1	1	1	1	1	1	1	1	1	1	T3.15AL250V			
15	E22 F95 784	V.A. CLAMP		1	1	1	1	1	1	1	1	1	1	1	1	1	1	1				
16	E22 F95 541	WATER CUT		1	1	1	1	1	1	1	1	1	1	1	1	1	1	1				
17	E22 16H 300	INDOOR FAN MOTOR	MF	1	1	1	1	1	1	1	1	1	1	1	1	1	1	1	RC0J40-□□ Includes FAN MOTOR RUBBER MOUNT (2 PCS/SET)			
18	E22 F95 333	MOTOR BAND		1	1	1	1	1	1	1	1	1	1	1	1	1	1	1				
19	E22 F95 302	LINE FLOW FAN		1	1	1	1	1	1	1	1	1	1	1	1	1	1	1				

1-4. INDOOR UNIT HEAT EXCHANGER

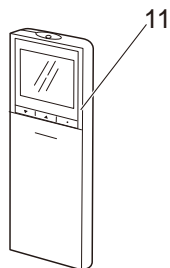
No.	Part No.	Part name	Symbol in Wiring Diagram	Q'ty/unit																		Remarks
				MSZ-EF																		
				18			22			25			35			42			50			
VGW	VGB	VGS	VGW	VGB	VGS	VGW	VGB	VGS	VGW	VGB	VGS	VGW	VGB	VGS	VGW	VGB	VGS					
-E1	-E1	-E1	-E1	-E1	-E1	-E1	-E1	-E1	-E1	-E1	-E1	-E1	-E1	-E1	-E1	-E1	-E1					
20	E22 F95 620	INDOOR HEAT EXCHANGER		1	1	1	1	1	1	1	1	1	1	1	1	1	1	1				
21	E22 151 667	UNION (LIQUID)		1	1	1	1	1	1	1	1	1	1	1	1	1	1	1	ø6.35			
22	E22 815 666	UNION (GAS)		1	1	1	1	1	1	1	1	1	1	1	1	1	1	1	ø9.52			

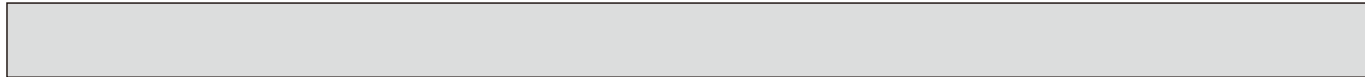
- MSZ-EF18VGW - E2 MSZ-EF18VGB - E2 MSZ-EF18VGS - E2
 MSZ-EF22VGW - E2 MSZ-EF22VGB - E2 MSZ-EF22VGS - E2
 MSZ-EF25VGW - E2 MSZ-EF25VGB - E2 MSZ-EF25VGS - E2
 MSZ-EF35VGW - E2 MSZ-EF35VGB - E2 MSZ-EF35VGS - E2
 MSZ-EF42VGW - E2 MSZ-EF42VGB - E2 MSZ-EF42VGS - E2
 MSZ-EF50VGW - E2 MSZ-EF50VGB - E2 MSZ-EF50VGS - E2

1-5. INDOOR UNIT STRUCTURAL PARTS



1-6. ACCESSORY AND REMOTE CONTROLLER





1-5. INDOOR UNIT STRUCTURAL PARTS

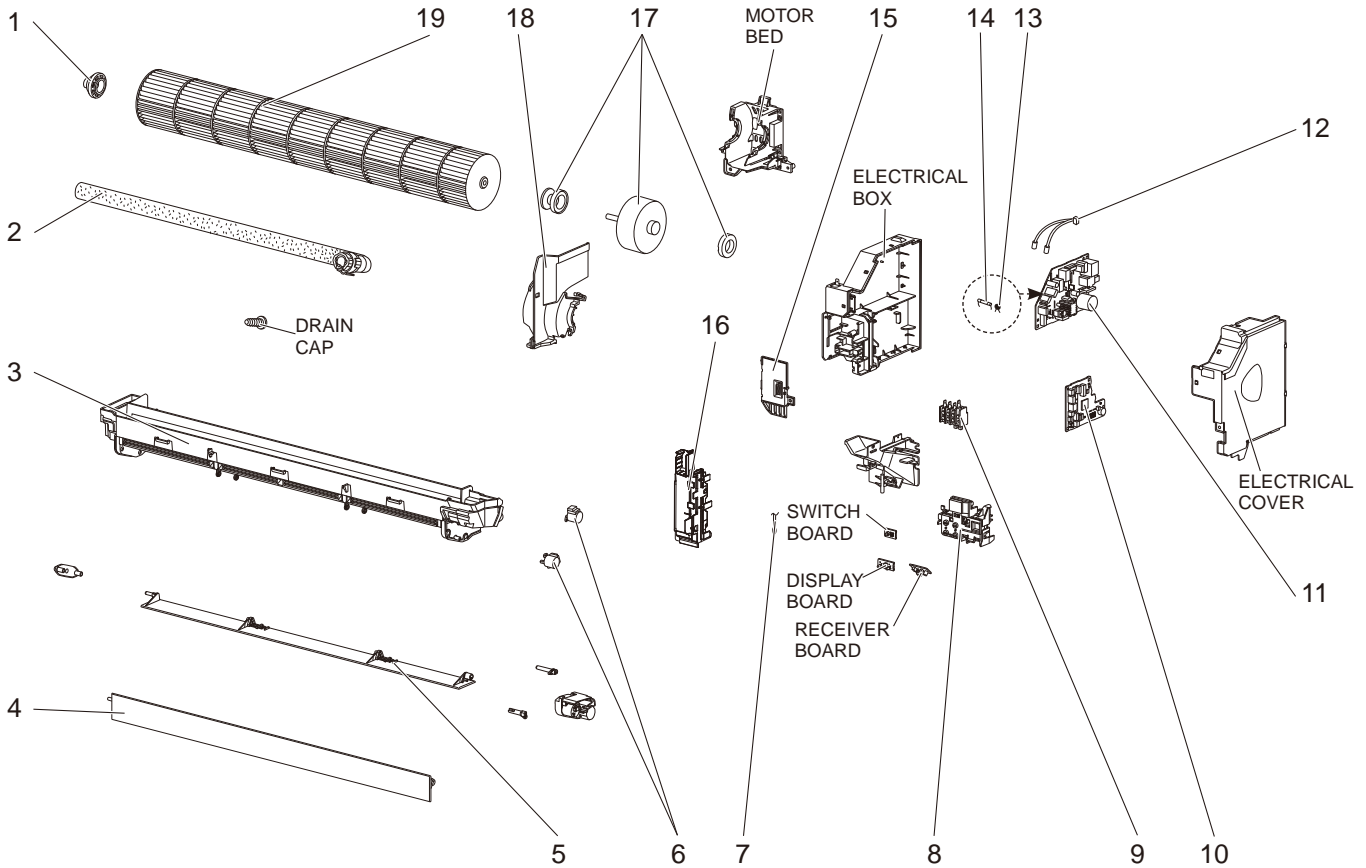
No.	Part No.	Part name	Symbol in Wiring Diagram	Q'ty/unit															Remarks				
				MSZ-EF																			
				18			22			25			35			42				50			
VGW -E2	VGB -E2	VGS -E2	VGW -E2	VGB -E2	VGS -E2	VGW -E2	VGB -E2	VGS -E2	VGW -E2	VGB -E2	VGS -E2	VGW -E2	VGB -E2	VGS -E2	VGW -E2	VGB -E2	VGS -E2						
1	E22 16H 234	BOX ASSEMBLY		1			1			1			1			1			1				
	E22 G21 234				1				1				1				1				1		
	E22 G26 234					1					1					1					1		
2	E22 16H 976	CORNER BOX LEFT		1			1			1			1			1			1				
	E22 G21 976				1				1				1				1				1		
	E22 G26 976					1					1					1					1		
3	E22 45L 000	PANEL ASSEMBLY		1			1			1			1			1			1			Includes No. 4, 6	
	E22 46L 000				1				1				1				1				1		Includes No. 4, 6
	E22 47L 000					1					1					1					1		Includes No. 4, 6
4	E22 F95 142	CATCH		2	2	2	2	2	2	2	2	2	2	2	2	2	2	2	2	2	2	2 PCS/SET	
5	E22 16H 067	SCREW CAP		2			2			2			2			2			2			2 PCS/SET	
	E22 G21 067				2				2				2				2				2		2 PCS/SET
	E22 G26 067					2					2					2					2		2 PCS/SET
6	E22 16H 010	FRONT PANEL		1			1			1			1			1			1				
	E22 T25 010				1				1				1				1				1		
	E22 T29 010					1					1					1					1		
7	—	AIR CLEANING FILTER (SILVER-IONIZED AIR PURIFIER FILTER)		2	2	2	2	2	2	2	2	2	2	2	2	2	2	2	2	2	2	1 PC/SET	
8	E22 16H 100	AIR FILTER (AIR PURIFYING FILTER)		2	2	2	2	2	2	2	2	2	2	2	2	2	2	2	2	2	2	1 PC/SET	
9	E22 16H 975	CORNER BOX RIGHT		1			1			1			1			1			1				
	E22 G21 975				1				1				1				1				1		
	E22 G26 975					1					1					1					1		
10	E22 F95 970	INSTALLATION PLATE		1	1	1	1	1	1	1	1	1	1	1	1	1	1	1	1	1	1		

1-6. ACCESSORY AND REMOTE CONTROLLER

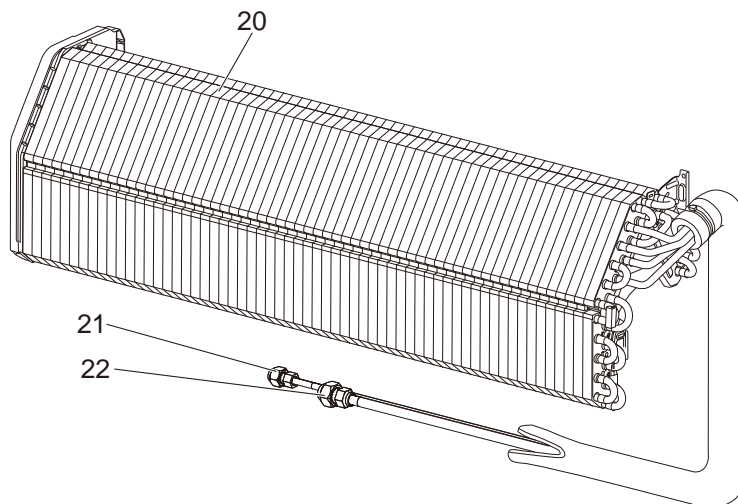
No.	Part No.	Part name	Symbol in Wiring Diagram	Q'ty/unit															Remarks			
				MSZ-EF																		
				18			22			25			35			42				50		
VGW -E2	VGB -E2	VGS -E2	VGW -E2	VGB -E2	VGS -E2	VGW -E2	VGB -E2	VGS -E2	VGW -E2	VGB -E2	VGS -E2	VGW -E2	VGB -E2	VGS -E2	VGW -E2	VGB -E2	VGS -E2					
11	E22 16H 426	REMOTE CONTROLLER		1			1			1			1			1			1			SG19A
	E22 14H 426				1	1			1	1			1	1			1	1			1	1

MSZ-EF18VGW - E2 MSZ-EF18VGB - E2 MSZ-EF18VGS - E2
MSZ-EF22VGW - E2 MSZ-EF22VGB - E2 MSZ-EF22VGS - E2
MSZ-EF25VGW - E2 MSZ-EF25VGB - E2 MSZ-EF25VGS - E2
MSZ-EF35VGW - E2 MSZ-EF35VGB - E2 MSZ-EF35VGS - E2
MSZ-EF42VGW - E2 MSZ-EF42VGB - E2 MSZ-EF42VGS - E2
MSZ-EF50VGW - E2 MSZ-EF50VGB - E2 MSZ-EF50VGS - E2

1-7. INDOOR UNIT ELECTRICAL PARTS AND FUNCTIONAL PARTS



1-8. INDOOR UNIT HEAT EXCHANGER



1-7. INDOOR UNIT ELECTRICAL PARTS AND FUNCTIONAL PARTS

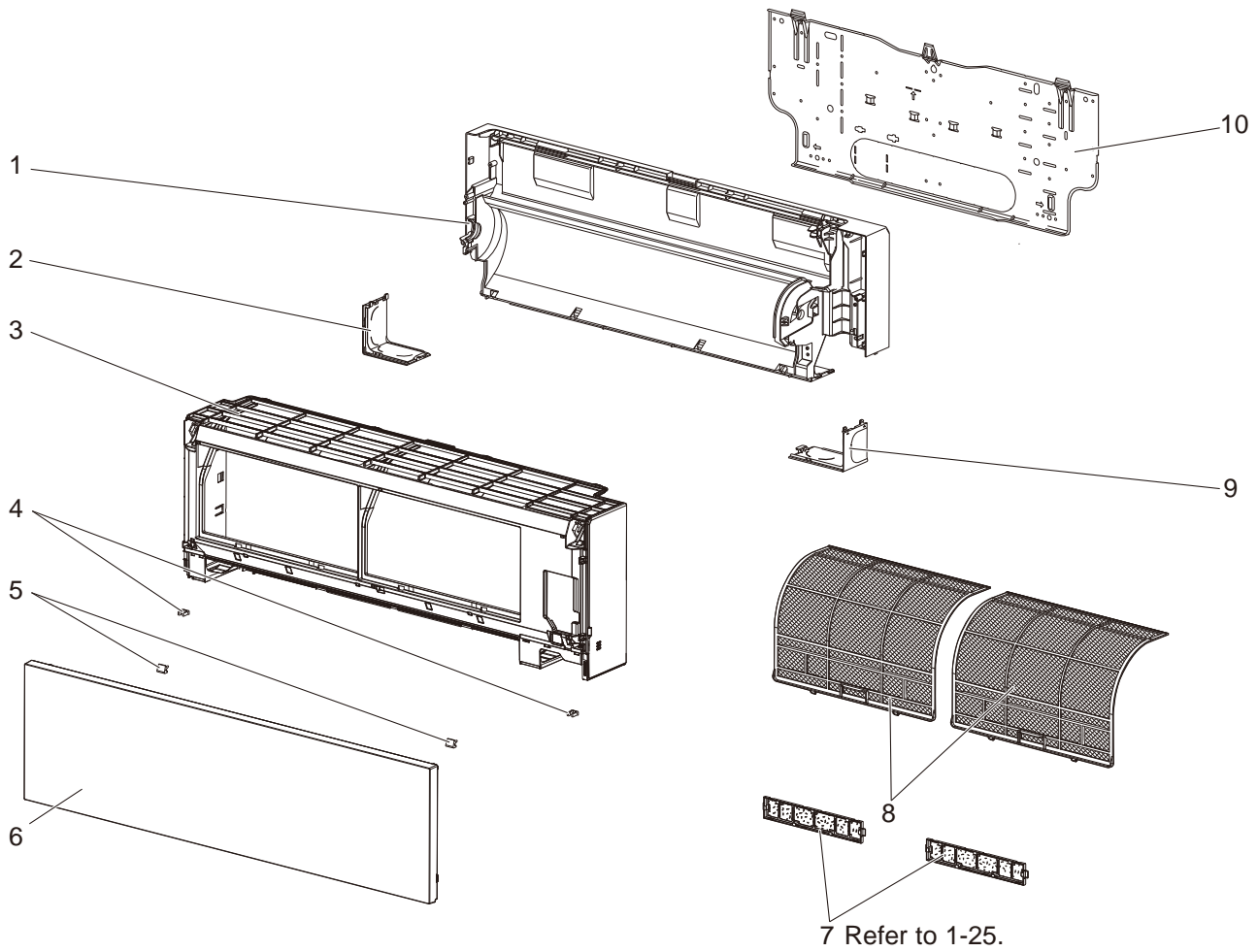
No.	Part No.	Part name	Symbol in Wiring Diagram	Q'ty/unit																		Remarks
				MSZ-EF																		
				18			22			25			35			42			50			
VGW	VGB	VGS	VGW	VGB	VGS	VGW	VGB	VGS	VGW	VGB	VGS	VGW	VGB	VGS	VGW	VGB	VGS					
1	E22 751 509	BEARING MOUNT		1	1	1	1	1	1	1	1	1	1	1	1	1	1	1	1	1	1	Includes Sleeve bearing
2	E22 P72 702	DRAIN HOSE		1	1	1	1	1	1	1	1	1	1	1	1	1	1	1	1	1	1	
3	E22 16H 235	NOZZLE ASSEMBLY		1		1			1			1			1			1			1	Full assembly except DRAIN HOSE
	E22 G21 235			1		1			1			1			1			1			1	
	E22 G26 235			1		1			1			1			1			1			1	
4	E22 16H 040	VANE UPPER		1		1			1			1			1			1			1	
	E22 G21 040			1		1			1			1			1			1			1	
	E22 G26 040			1		1			1			1			1			1			1	
5	E22 16H 041	VANE LOWER		1		1			1			1			1			1			1	
	E22 G21 041			1		1			1			1			1			1			1	
	E22 G26 041			1		1			1			1			1			1			1	
6	E22 A89 303	VANE MOTOR	MV1, MV2	2	2	2	2	2	2	2	2	2	2	2	2	2	2	2	2	2	2	UP & DOWN, 1 PC/SET
7	E22 F95 308	ROOM TEMPERATURE THERMISTOR	RT11	1	1	1	1	1	1	1	1	1	1	1	1	1	1	1	1	1	1	
8	E22 F95 095	DISPLAY P.C. BOARD HOLDER		1	1	1	1	1	1	1	1	1	1	1	1	1	1	1	1	1	1	
9	E22 T21 375	TERMINAL BLOCK	TB	1	1	1	1	1	1	1	1	1	1	1	1	1	1	1	1	1	1	
10	E22 45L 452	ELECTRONIC CONTROL P.C. BOARD		1	1	1	1	1	1													Includes RECEIVER P.C. BOARD, DISPLAY P.C. BOARD and SWITCH P.C. BOARD.
	E22 51L 452									1	1	1										
	E22 54L 452												1	1	1							
	E22 57L 452															1	1	1				
	E22 60L 452																		1	1	1	
11	E22 45L 440	POWER P.C. BOARD		1	1	1	1	1	1	1	1	1	1	1	1	1	1	1				
	E22 60L 440																		1	1	1	
12	E22 F95 307	INDOOR COIL THERMISTOR	RT12,RT13	1	1	1	1	1	1	1	1	1	1	1	1	1	1	1	1	1	1	
13	E22 B75 385	VARISTOR	NR11	1	1	1	1	1	1	1	1	1	1	1	1	1	1	1	1	1	1	
14	E22 42J 382	FUSE	F11	1	1	1	1	1	1	1	1	1	1	1	1	1	1	1	1	1	1	T3.15AL250V
15	E22 F95 784	V.A. CLAMP		1	1	1	1	1	1	1	1	1	1	1	1	1	1	1	1	1	1	
16	E22 45L 541	WATER CUT		1	1	1	1	1	1	1	1	1	1	1	1	1	1	1	1	1	1	
17	E22 29L 300	INDOOR FAN MOTOR	MF	1	1	1	1	1	1	1	1	1	1	1	1	1	1	1	1	1	1	RC0J40-□□ Includes FAN MOTOR RUBBER MOUNT (2 PCS/SET)
18	E22 F95 333	MOTOR BAND		1	1	1	1	1	1	1	1	1	1	1	1	1	1	1	1	1	1	
19	E22 F95 302	LINE FLOW FAN		1	1	1	1	1	1	1	1	1	1	1	1	1	1	1	1	1	1	

1-8. INDOOR UNIT HEAT EXCHANGER

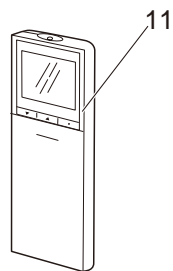
No.	Part No.	Part name	Symbol in Wiring Diagram	Q'ty/unit																		Remarks
				MSZ-EF																		
				18			22			25			35			42			50			
VGW	VGB	VGS	VGW	VGB	VGS	VGW	VGB	VGS	VGW	VGB	VGS	VGW	VGB	VGS	VGW	VGB	VGS					
20	E22 F95 620	INDOOR HEAT EXCHANGER		1	1	1	1	1	1	1	1	1	1	1	1	1	1	1	1	1	1	
21	E22 151 667	UNION (LIQUID)		1	1	1	1	1	1	1	1	1	1	1	1	1	1	1	1	1	1	ø6.35
22	E22 815 666	UNION (GAS)		1	1	1	1	1	1	1	1	1	1	1	1	1	1	1	1	1	1	ø9.52

MSZ-EF22VGW -[ET1] MSZ-EF22VGB -[ET1] MSZ-EF22VGS -[ET1]
MSZ-EF25VGW -[ET1] MSZ-EF25VGB -[ET1] MSZ-EF25VGS -[ET1]
MSZ-EF35VGW -[ET1] MSZ-EF35VGB -[ET1] MSZ-EF35VGS -[ET1]
MSZ-EF42VGW -[ET1] MSZ-EF42VGB -[ET1] MSZ-EF42VGS -[ET1]
MSZ-EF50VGW -[ET1] MSZ-EF50VGB -[ET1] MSZ-EF50VGS -[ET1]

1-9. INDOOR UNIT STRUCTURAL PARTS



1-10. ACCESSORY AND REMOTE CONTROLLER





1-9. INDOOR UNIT STRUCTURAL PARTS

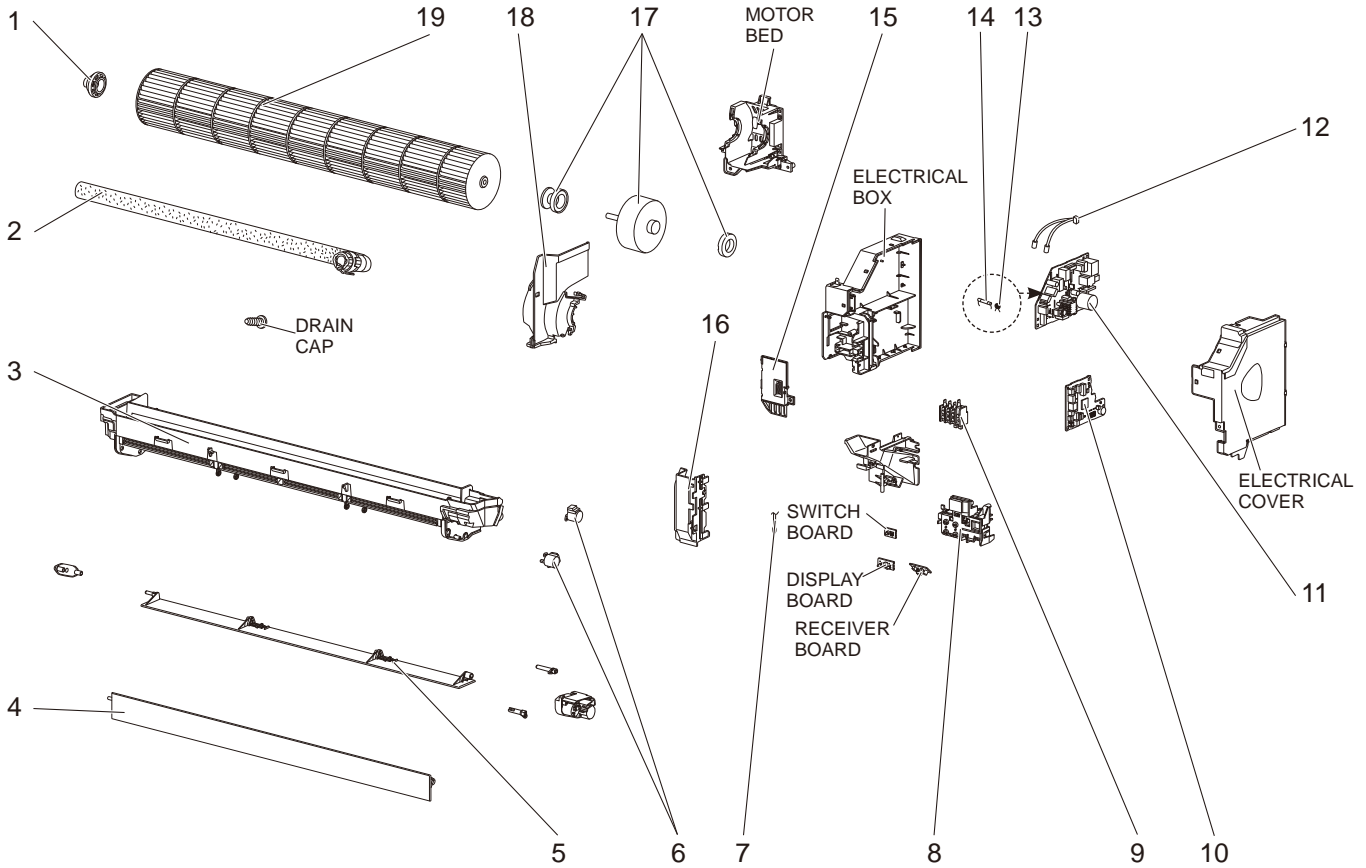
No.	Part No.	Part name	Symbol in Wiring Diagram	Q'ty/unit															Remarks
				MSZ-EF															
				22			25			35			42			50			
				VGW	VGB	VGS	VGW	VGB	VGS	VGW	VGB	VGS	VGW	VGB	VGS	VGW	VGB	VGS	
1	E22 16H 234	BOX ASSEMBLY		1			1			1			1			1			
	E22 G21 234				1		1		1		1		1		1				
	E22 G26 234					1		1		1		1		1		1			
2	E22 16H 976	CORNER BOX LEFT		1			1			1			1			1			
	E22 G21 976				1		1		1		1		1		1				
	E22 G26 976					1		1		1		1		1		1			
3	E22 34H 000	PANEL ASSEMBLY		1			1			1			1			1			Includes No. 4, 6
	E22 32H 000				1		1		1		1		1		1		Includes No. 4, 6		
	E22 33H 000					1		1		1		1		1		1		Includes No. 4, 6	
4	E22 F95 142	CATCH		2	2	2	2	2	2	2	2	2	2	2	2	2	2	2	2 PCS/SET
5	E22 16H 067	SCREW CAP		2			2			2			2			2			2 PCS/SET
	E22 G21 067				2		2		2		2		2		2		2 PCS/SET		
	E22 G26 067					2		2		2		2		2		2		2 PCS/SET	
6	E22 16H 010	FRONT PANEL		1			1			1			1			1			
	E22 T25 010				1		1		1		1		1		1				
	E22 T29 010					1		1		1		1		1		1			
7	—	AIR CLEANING FILTER (SILVER-IONIZED AIR PURIFIER FILTER)		2	2	2	2	2	2	2	2	2	2	2	2	2	2	2	1 PC/SET
8	E22 16H 100	AIR FILTER (AIR PURIFYING FILTER)		2	2	2	2	2	2	2	2	2	2	2	2	2	2	2	1 PC/SET
9	E22 16H 975	CORNER BOX RIGHT		1			1			1			1			1			
	E22 G21 975				1		1		1		1		1		1				
	E22 G26 975					1		1		1		1		1		1			
10	E22 F95 970	INSTALLATION PLATE		1	1	1	1	1	1	1	1	1	1	1	1	1	1	1	

1-10. ACCESSORY AND REMOTE CONTROLLER

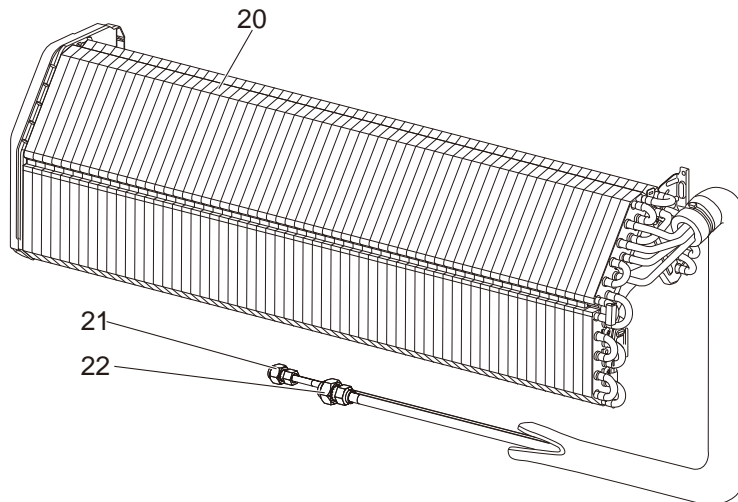
No.	Part No.	Part name	Symbol in Wiring Diagram	Q'ty/unit															Remarks
				MSZ-EF															
				22			25			35			42			50			
				VGW	VGB	VGS	VGW	VGB	VGS	VGW	VGB	VGS	VGW	VGB	VGS	VGW	VGB	VGS	
11	E22 16H 426	REMOTE CONTROLLER		1			1			1			1			1			SG19A
	E22 14H 426				1	1		1	1		1	1		1	1		1	1	

MSZ-EF22VGW -[ET1] MSZ-EF22VGB -[ET1] MSZ-EF22VGS -[ET1]
MSZ-EF25VGW -[ET1] MSZ-EF25VGB -[ET1] MSZ-EF25VGS -[ET1]
MSZ-EF35VGW -[ET1] MSZ-EF35VGB -[ET1] MSZ-EF35VGS -[ET1]
MSZ-EF42VGW -[ET1] MSZ-EF42VGB -[ET1] MSZ-EF42VGS -[ET1]
MSZ-EF50VGW -[ET1] MSZ-EF50VGB -[ET1] MSZ-EF50VGS -[ET1]

1-11. INDOOR UNIT ELECTRICAL PARTS AND FUNCTIONAL PARTS



1-12. INDOOR UNIT HEAT EXCHANGER



1-11. INDOOR UNIT ELECTRICAL PARTS AND FUNCTIONAL PARTS

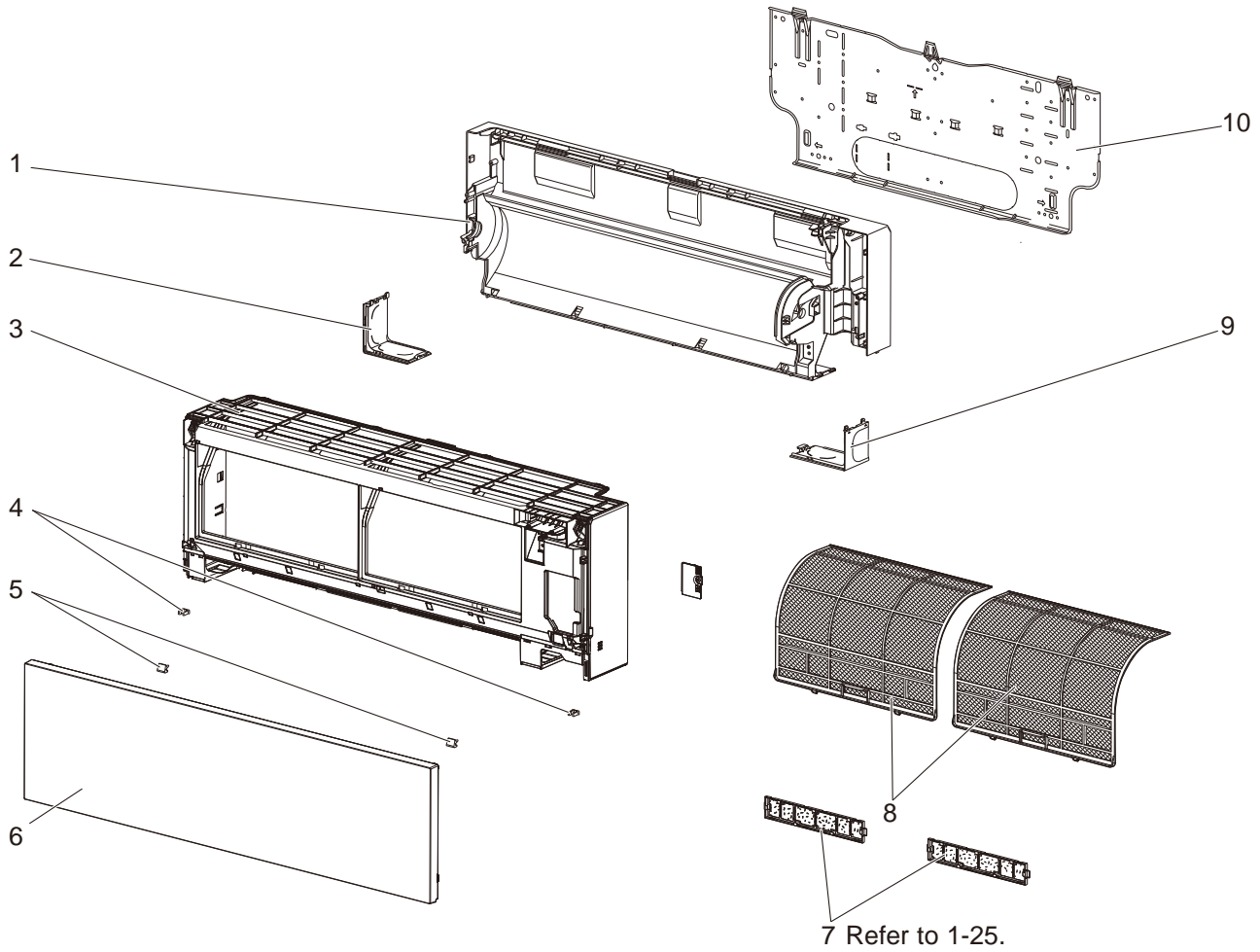
No.	Part No.	Part name	Symbol in Wiring Diagram	Q'ty/unit															Remarks
				MSZ-EF															
				22			25			35			42			50			
VGW	VGB	VGS	VGW	VGB	VGS	VGW	VGB	VGS	VGW	VGB	VGS	VGW	VGB	VGS	VGW	VGB	VGS		
1	E22 A89 509	BEARING MOUNT		1	1	1	1	1	1	1	1	1	1	1	1	1	1	1	Includes Sleeve bearing
2	E22 P72 702	DRAIN HOSE		1	1	1	1	1	1	1	1	1	1	1	1	1	1		
3	E22 16H 235	NOZZLE ASSEMBLY		1			1			1			1			1		Full assembly except DRAIN HOSE	
	E22 G21 235				1			1			1			1					
	E22 G26 235					1			1			1			1				
4	E22 16H 040	VANE UPPER		1			1			1			1			1			
	E22 G21 040				1			1			1			1					
	E22 G26 040					1			1			1			1				
5	E22 16H 041	VANE LOWER		1			1			1			1			1			
	E22 G21 041				1			1			1			1					
	E22 G26 041					1			1			1			1				
6	E22 A89 303	VANE MOTOR	MV	2	2	2	2	2	2	2	2	2	2	2	2	2	2	UP & DOWN, 1 PC/SET	
7	E22 F95 308	ROOM TEMPERATURE THERMISTOR	RT11	1	1	1	1	1	1	1	1	1	1	1	1	1	1		
8	E22 F95 095	DISPLAY P.C. BOARD HOLDER		1	1	1	1	1	1	1	1	1	1	1	1	1	1		
9	E22 T21 375	TERMINAL BLOCK	TB	1	1	1	1	1	1	1	1	1	1	1	1	1	1		
10	E22 17H 452	ELECTRONIC CONTROL P.C. BOARD		1	1	1												Includes RECEIVER P.C. BOARD, DISPLAY P.C. BOARD and SWITCH P.C. BOARD.	
	E22 22H 452						1	1	1										
	E22 25H 452									1	1	1							
	E22 28H 452												1	1	1				
	E22 31H 452															1	1		1
11	E22 17H 440	POWER P.C. BOARD		1	1	1	1	1	1	1	1	1	1	1	1	1	1		
12	E22 F95 307	INDOOR COIL THERMISTOR	RT12,RT13	1	1	1	1	1	1	1	1	1	1	1	1	1	1		
13	E22 B75 385	VARISTOR	NR11	1	1	1	1	1	1	1	1	1	1	1	1	1	1		
14	E22 A49 382	FUSE	F11	1	1	1	1	1	1	1	1	1	1	1	1	1	1	T3.15AL250V	
15	E22 F95 784	V.A. CLAMP		1	1	1	1	1	1	1	1	1	1	1	1	1	1		
16	E22 F95 541	WATER CUT		1	1	1	1	1	1	1	1	1	1	1	1	1	1		
17	E22 16H 300	INDOOR FAN MOTOR	MF	1	1	1	1	1	1	1	1	1	1	1	1	1	1	RC0J40-□□ Includes FAN MOTOR RUBBER MOUNT (2 PCS/SET)	
18	E22 F95 333	MOTOR BAND		1	1	1	1	1	1	1	1	1	1	1	1	1	1		
19	E22 F95 302	LINE FLOW FAN		1	1	1	1	1	1	1	1	1	1	1	1	1	1		

1-12. INDOOR UNIT HEAT EXCHANGER

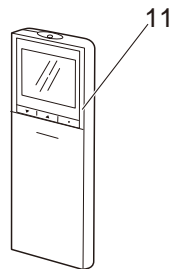
No.	Part No.	Part name	Symbol in Wiring Diagram	Q'ty/unit															Remarks
				MSZ-EF															
				22			25			35			42			50			
VGW	VGB	VGS	VGW	VGB	VGS	VGW	VGB	VGS	VGW	VGB	VGS	VGW	VGB	VGS	VGW	VGB	VGS		
20	E22 F95 620	INDOOR HEAT EXCHANGER		1	1	1	1	1	1	1	1	1	1	1	1	1	1		
21	E22 151 667	UNION (LIQUID)		1	1	1	1	1	1	1	1	1	1	1	1	1	1	ø6.35	
22	E22 815 666	UNION (GAS)		1	1	1	1	1	1	1	1	1	1	1	1	1	1	ø9.52	

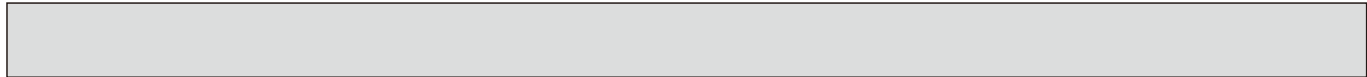
MSZ-EF22VGW -ET2 MSZ-EF22VGB -ET2 MSZ-EF22VGS -ET2
MSZ-EF25VGW -ET2 MSZ-EF25VGB -ET2 MSZ-EF25VGS -ET2
MSZ-EF35VGW -ET2 MSZ-EF35VGB -ET2 MSZ-EF35VGS -ET2
MSZ-EF42VGW -ET2 MSZ-EF42VGB -ET2 MSZ-EF42VGS -ET2
MSZ-EF50VGW -ET2 MSZ-EF50VGB -ET2 MSZ-EF50VGS -ET2

1-13. INDOOR UNIT STRUCTURAL PARTS



1-14. ACCESSORY AND REMOTE CONTROLLER





1-13. INDOOR UNIT STRUCTURAL PARTS

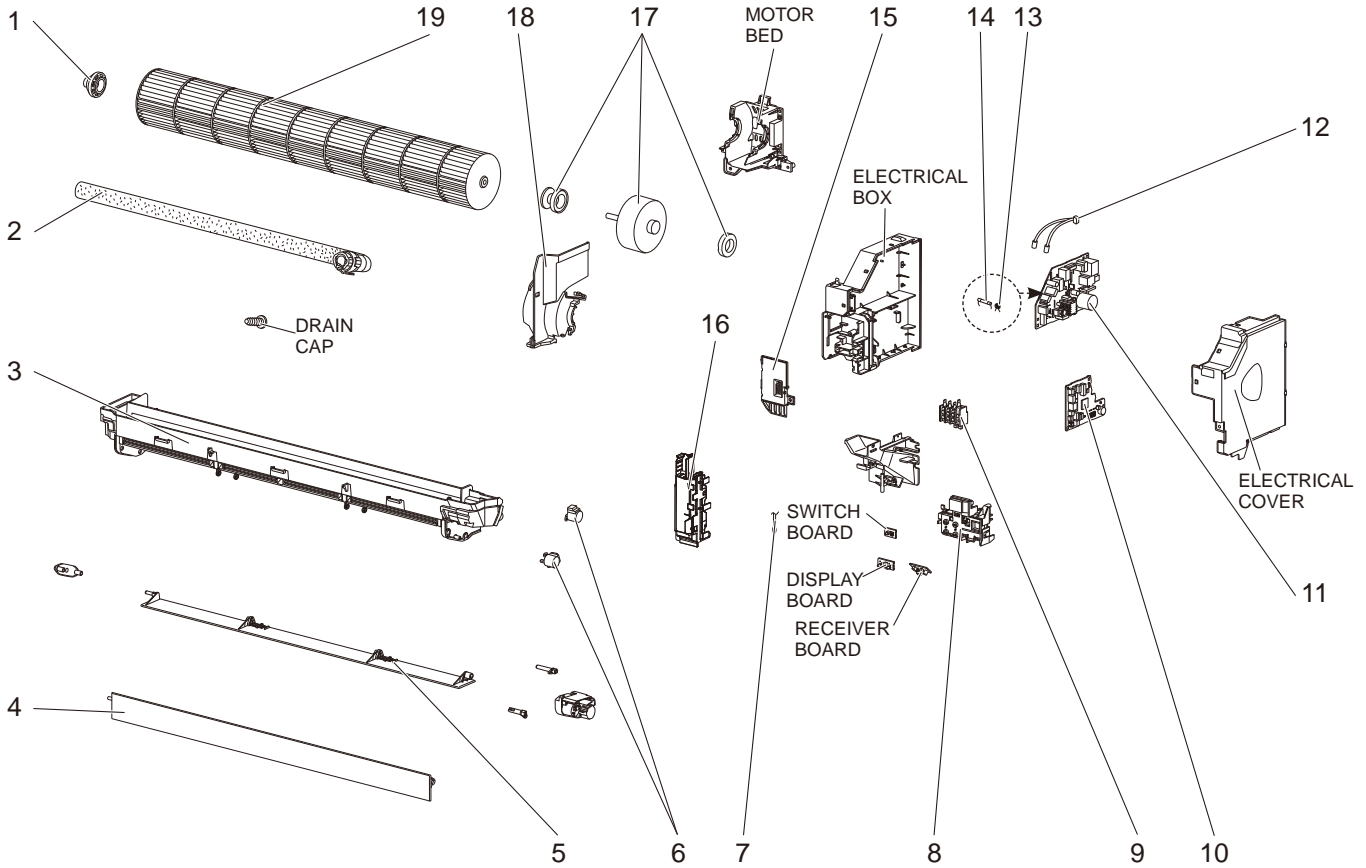
No.	Part No.	Part name	Symbol in Wiring Diagram	Q'ty/unit															Remarks
				MSZ-EF															
				22			25			35			42			50			
				VGW	VGB	VGS	VGW	VGB	VGS	VGW	VGB	VGS	VGW	VGB	VGS	VGW	VGB	VGS	
1	E22 16H 234	BOX ASSEMBLY		1			1			1			1			1			
	E22 G21 234						1			1			1			1			
	E22 G26 234				1			1			1			1			1		1
2	E22 16H 976	CORNER BOX LEFT		1			1			1			1			1			
	E22 G21 976						1			1			1			1			
	E22 G26 976				1			1			1			1			1		1
3	E22 48L 000	PANEL ASSEMBLY		1			1			1			1			1			Includes No. 4, 6
	E22 49L 000						1			1			1			1			Includes No. 4, 6
	E22 50L 000				1			1			1			1			1		Includes No. 4, 6
4	E22 F95 142	CATCH		2	2	2	2	2	2	2	2	2	2	2	2	2	2	2	2 PCS/SET
5	E22 16H 067	SCREW CAP		2			2			2			2			2			2 PCS/SET
	E22 G21 067						2			2			2			2			2 PCS/SET
	E22 G26 067				2			2			2			2			2		2 PCS/SET
6	E22 16H 010	FRONT PANEL		1			1			1			1			1			
	E22 T25 010						1			1			1			1			
	E22 T29 010				1			1			1			1			1		1
7	—	AIR CLEANING FILTER (SILVER-IONIZED AIR PURIFIER FILTER)		2	2	2	2	2	2	2	2	2	2	2	2	2	2	2	1 PC/SET
8	E22 16H 100	AIR FILTER (AIR PURIFYING FILTER)		2	2	2	2	2	2	2	2	2	2	2	2	2	2	2	1 PC/SET
9	E22 16H 975	CORNER BOX RIGHT		1			1			1			1			1			
	E22 G21 975						1			1			1			1			
	E22 G26 975				1			1			1			1			1		1
10	E22 F95 970	INSTALLATION PLATE		1	1	1	1	1	1	1	1	1	1	1	1	1	1	1	

1-14. ACCESSORY AND REMOTE CONTROLLER

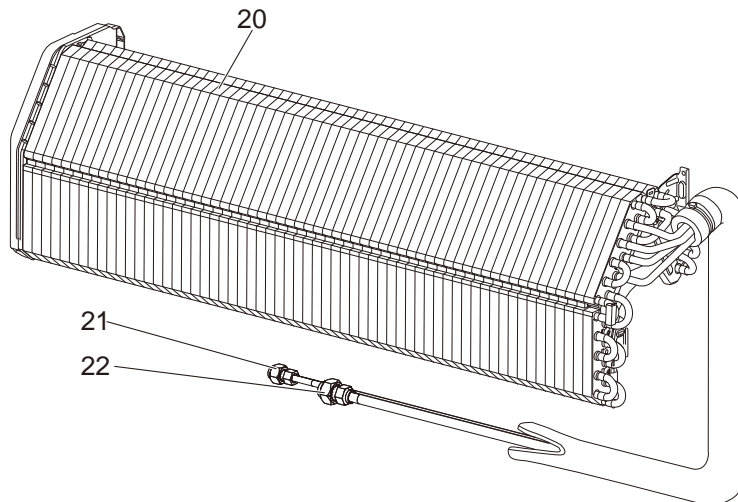
No.	Part No.	Part name	Symbol in Wiring Diagram	Q'ty/unit															Remarks
				MSZ-EF															
				22			25			35			42			50			
				VGW	VGB	VGS	VGW	VGB	VGS	VGW	VGB	VGS	VGW	VGB	VGS	VGW	VGB	VGS	
11	E22 16H 426	REMOTE CONTROLLER		1			1			1			1			1			SG19A
	E22 14H 426				1	1		1	1		1	1		1	1		1	1	SG19B

MSZ-EF22VGW -[ET2] MSZ-EF22VGB -[ET2] MSZ-EF22VGS -[ET2]
MSZ-EF25VGW -[ET2] MSZ-EF25VGB -[ET2] MSZ-EF25VGS -[ET2]
MSZ-EF35VGW -[ET2] MSZ-EF35VGB -[ET2] MSZ-EF35VGS -[ET2]
MSZ-EF42VGW -[ET2] MSZ-EF42VGB -[ET2] MSZ-EF42VGS -[ET2]
MSZ-EF50VGW -[ET2] MSZ-EF50VGB -[ET2] MSZ-EF50VGS -[ET2]

1-15. INDOOR UNIT ELECTRICAL PARTS AND FUNCTIONAL PARTS



1-16. INDOOR UNIT HEAT EXCHANGER



1-15. INDOOR UNIT ELECTRICAL PARTS AND FUNCTIONAL PARTS

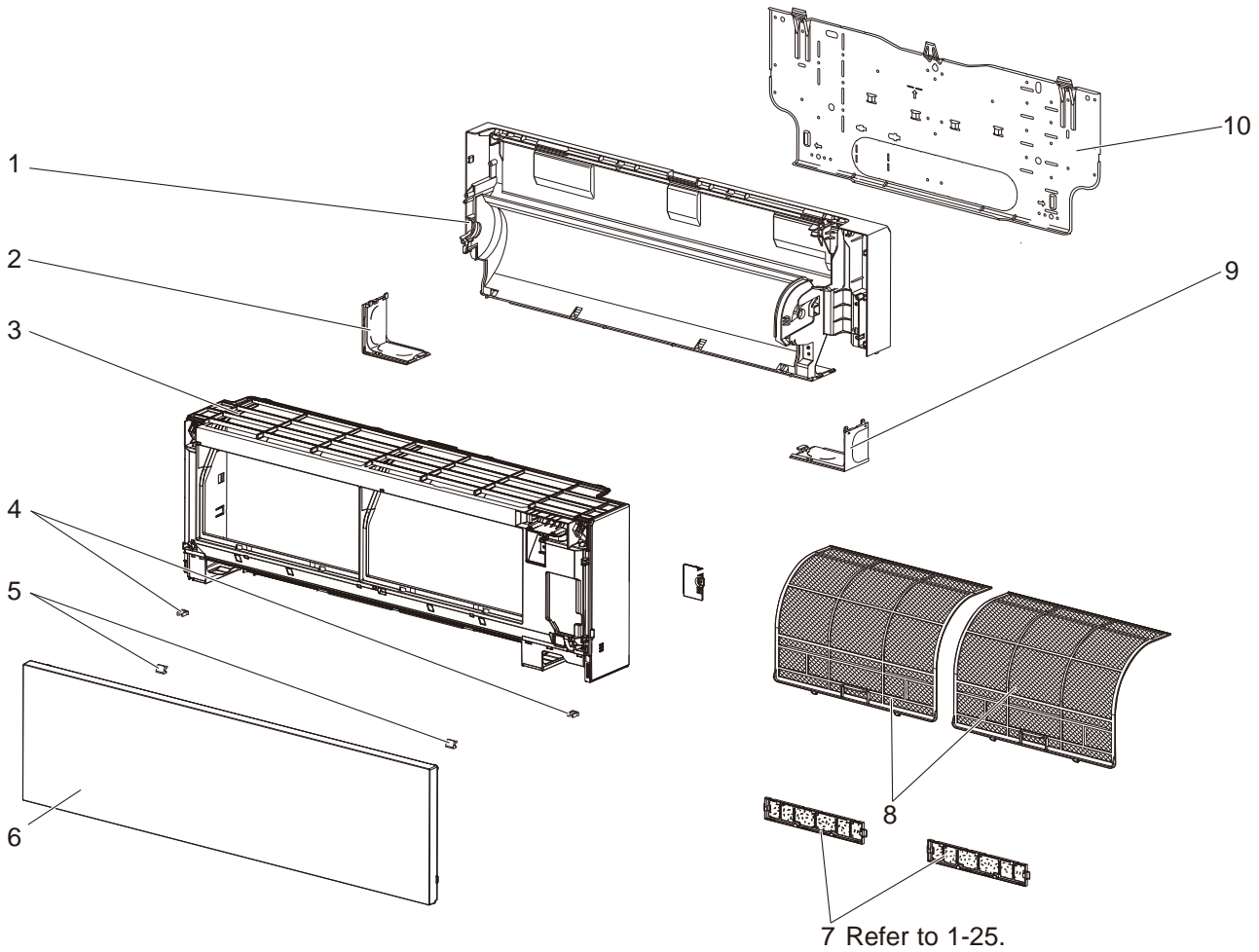
No.	Part No.	Part name	Symbol in Wiring Diagram	Q'ty/unit															Remarks
				MSZ-EF															
				22			25			35			42			50			
VGW	VGB	VGS	VGW	VGB	VGS	VGW	VGB	VGS	VGW	VGB	VGS	VGW	VGB	VGS	VGW	VGB	VGS		
1	E22 751 509	BEARING MOUNT		1	1	1	1	1	1	1	1	1	1	1	1	1	1	1	Includes Sleeve bearing
2	E22 P72 702	DRAIN HOSE		1	1	1	1	1	1	1	1	1	1	1	1	1	1	1	
3	E22 16H 235	NOZZLE ASSEMBLY		1			1			1			1			1			Full assembly except DRAIN HOSE
	E22 G21 235				1				1			1			1				
	E22 G26 235					1					1					1			
4	E22 16H 040	VANE UPPER		1			1			1			1			1			
	E22 G21 040				1				1			1			1				
	E22 G26 040					1					1					1			
5	E22 16H 041	VANE LOWER		1			1			1			1			1			
	E22 G21 041				1				1			1			1				
	E22 G26 041					1					1					1			
6	E22 A89 303	VANE MOTOR	MV1, MV2	2	2	2	2	2	2	2	2	2	2	2	2	2	2	2	UP & DOWN, 1 PC/SET
7	E22 F95 308	ROOM TEMPERATURE THERMISTOR	RT11	1	1	1	1	1	1	1	1	1	1	1	1	1	1	1	
8	E22 F95 095	DISPLAY P.C. BOARD HOLDER		1	1	1	1	1	1	1	1	1	1	1	1	1	1	1	
9	E22 T21 375	TERMINAL BLOCK	TB	1	1	1	1	1	1	1	1	1	1	1	1	1	1	1	
10	E22 45L 452	ELECTRONIC CONTROL P.C. BOARD		1	1	1													Includes RECEIVER P.C. BOARD, DISPLAY P.C. BOARD and SWITCH P.C. BOARD.
	E22 51L 452					1	1	1											
	E22 54L 452								1	1	1								
	E22 57L 452											1	1	1					
	E22 60L 452														1	1	1		
11	E22 45L 440	POWER P.C. BOARD		1	1	1	1	1	1	1	1	1	1	1	1				
	E22 60L 440														1	1	1		
12	E22 F95 307	INDOOR COIL THERMISTOR	RT12,RT13	1	1	1	1	1	1	1	1	1	1	1	1	1	1	1	
13	E22 B75 385	VARISTOR	NR11	1	1	1	1	1	1	1	1	1	1	1	1	1	1	1	
14	E22 42J 382	FUSE	F11	1	1	1	1	1	1	1	1	1	1	1	1	1	1	1	T3.15AL250V
15	E22 F95 784	V.A. CLAMP		1	1	1	1	1	1	1	1	1	1	1	1	1	1	1	
16	E22 45L 541	WATER CUT		1	1	1	1	1	1	1	1	1	1	1	1	1	1	1	
17	E22 29L 300	INDOOR FAN MOTOR	MF	1	1	1	1	1	1	1	1	1	1	1	1	1	1	1	RC0J40-□□ Includes FAN MOTOR RUBBER MOUNT (2 PCS/SET)
18	E22 F95 333	MOTOR BAND		1	1	1	1	1	1	1	1	1	1	1	1	1	1	1	
19	E22 F95 302	LINE FLOW FAN		1	1	1	1	1	1	1	1	1	1	1	1	1	1	1	

1-16. INDOOR UNIT HEAT EXCHANGER

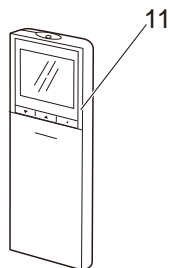
No.	Part No.	Part name	Symbol in Wiring Diagram	Q'ty/unit															Remarks
				MSZ-EF															
				22			25			35			42			50			
VGW	VGB	VGS	VGW	VGB	VGS	VGW	VGB	VGS	VGW	VGB	VGS	VGW	VGB	VGS	VGW	VGB	VGS		
20	E22 F95 620	INDOOR HEAT EXCHANGER		1	1	1	1	1	1	1	1	1	1	1	1	1	1	1	
21	E22 151 667	UNION (LIQUID)		1	1	1	1	1	1	1	1	1	1	1	1	1	1	1	ø6.35
22	E22 815 666	UNION (GAS)		1	1	1	1	1	1	1	1	1	1	1	1	1	1	1	ø9.52

MSZ-EF18VGKW - E1 MSZ-EF18VGKB - E1 MSZ-EF18VGKS - E1
MSZ-EF22VGKW - E1 MSZ-EF22VGKB - E1 MSZ-EF22VGKS - E1
MSZ-EF25VGKW - E1 MSZ-EF25VGKB - E1 MSZ-EF25VGKS - E1
MSZ-EF35VGKW - E1 MSZ-EF35VGKB - E1 MSZ-EF35VGKS - E1
MSZ-EF42VGKW - E1 MSZ-EF42VGKB - E1 MSZ-EF42VGKS - E1
MSZ-EF50VGKW - E1 MSZ-EF50VGKB - E1 MSZ-EF50VGKS - E1

1-17. INDOOR UNIT STRUCTURAL PARTS



1-18. ACCESSORY AND REMOTE CONTROLLER





1-17. INDOOR UNIT STRUCTURAL PARTS

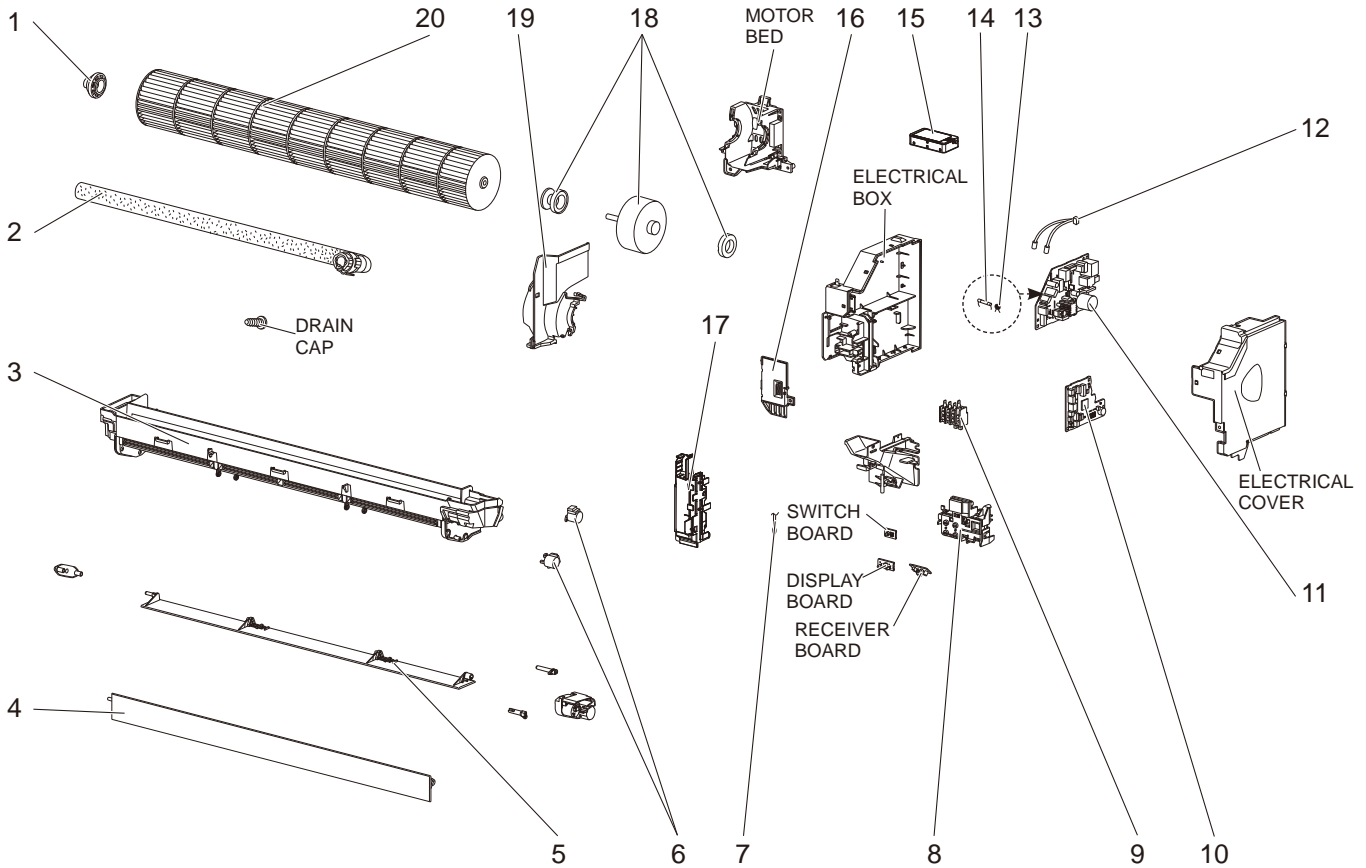
No.	Part No.	Part name	Symbol in Wiring Diagram	Q'ty/unit															Remarks				
				MSZ-EF																			
				18			22			25			35			42				50			
VGKW -E1	VGKB -E1	VGKS -E1	VGKW -E1	VGKB -E1	VGKS -E1	VGKW -E1	VGKB -E1	VGKS -E1	VGKW -E1	VGKB -E1	VGKS -E1	VGKW -E1	VGKB -E1	VGKS -E1	VGKW -E1	VGKB -E1	VGKS -E1						
1	E22 16H 234	BOX ASSEMBLY		1			1			1			1			1			1				
	E22 G21 234				1			1			1			1			1			1			
	E22 G26 234				1			1			1			1			1			1			
2	E22 16H 976	CORNER BOX LEFT		1			1			1			1			1			1				
	E22 G21 976				1			1			1			1			1			1			
	E22 G26 976				1			1			1			1			1			1			
3	E22 45L 000	PANEL ASSEMBLY		1			1			1			1			1			1			Includes No. 4, 6	
	E22 46L 000				1			1			1			1			1			1			Includes No. 4, 6
	E22 47L 000				1			1			1			1			1			1			Includes No. 4, 6
4	E22 F95 142	CATCH		2	2	2	2	2	2	2	2	2	2	2	2	2	2	2	2	2	2	2 PCS/SET	
5	E22 16H 067	SCREW CAP		2			2			2			2			2			2			2 PCS/SET	
	E22 G21 067				2			2			2			2			2			2			2 PCS/SET
	E22 G26 067				2			2			2			2			2			2			2 PCS/SET
6	E22 16H 010	FRONT PANEL		1			1			1			1			1			1				
	E22 T25 010				1			1			1			1			1			1			
	E22 T29 010				1			1			1			1			1			1			
7	—	AIR CLEANING FILTER (SILVER-IONIZED AIR PURIFIER FILTER)		2	2	2	2	2	2	2	2	2	2	2	2	2	2	2	2	2	2	1 PC/SET	
8	E22 16H 100	AIR FILTER (AIR PURIFYING FILTER)		2	2	2	2	2	2	2	2	2	2	2	2	2	2	2	2	2	2	1 PC/SET	
9	E22 16H 975	CORNER BOX RIGHT		1			1			1			1			1			1				
	E22 G21 975				1			1			1			1			1			1			
	E22 G26 975				1			1			1			1			1			1			
10	E22 F95 970	INSTALLATION PLATE		1	1	1	1	1	1	1	1	1	1	1	1	1	1	1	1	1	1		

1-18. ACCESSORY AND REMOTE CONTROLLER

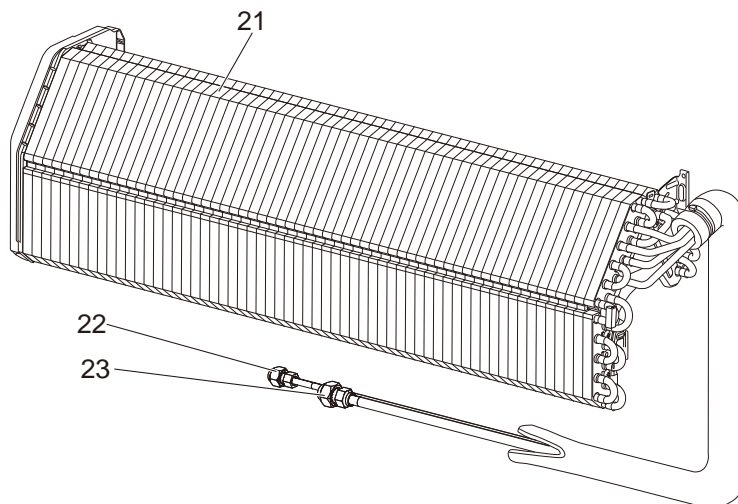
No.	Part No.	Part name	Symbol in Wiring Diagram	Q'ty/unit															Remarks			
				MSZ-EF																		
				18			22			25			35			42				50		
VGKW -E1	VGKB -E1	VGKS -E1	VGKW -E1	VGKB -E1	VGKS -E1	VGKW -E1	VGKB -E1	VGKS -E1	VGKW -E1	VGKB -E1	VGKS -E1	VGKW -E1	VGKB -E1	VGKS -E1	VGKW -E1	VGKB -E1	VGKS -E1					
11	E22 16H 426	REMOTE CONTROLLER		1			1			1			1			1			1			SG19A
	E22 14H 426				1	1		1	1		1	1		1	1		1	1		1	1	

MSZ-EF18VGKW - E1 MSZ-EF18VGKB - E1 MSZ-EF18VGKS - E1
MSZ-EF22VGKW - E1 MSZ-EF22VGKB - E1 MSZ-EF22VGKS - E1
MSZ-EF25VGKW - E1 MSZ-EF25VGKB - E1 MSZ-EF25VGKS - E1
MSZ-EF35VGKW - E1 MSZ-EF35VGKB - E1 MSZ-EF35VGKS - E1
MSZ-EF42VGKW - E1 MSZ-EF42VGKB - E1 MSZ-EF42VGKS - E1
MSZ-EF50VGKW - E1 MSZ-EF50VGKB - E1 MSZ-EF50VGKS - E1

1-19. INDOOR UNIT ELECTRICAL PARTS AND FUNCTIONAL PARTS



1-20. INDOOR UNIT HEAT EXCHANGER



1-19. INDOOR UNIT ELECTRICAL PARTS AND FUNCTIONAL PARTS

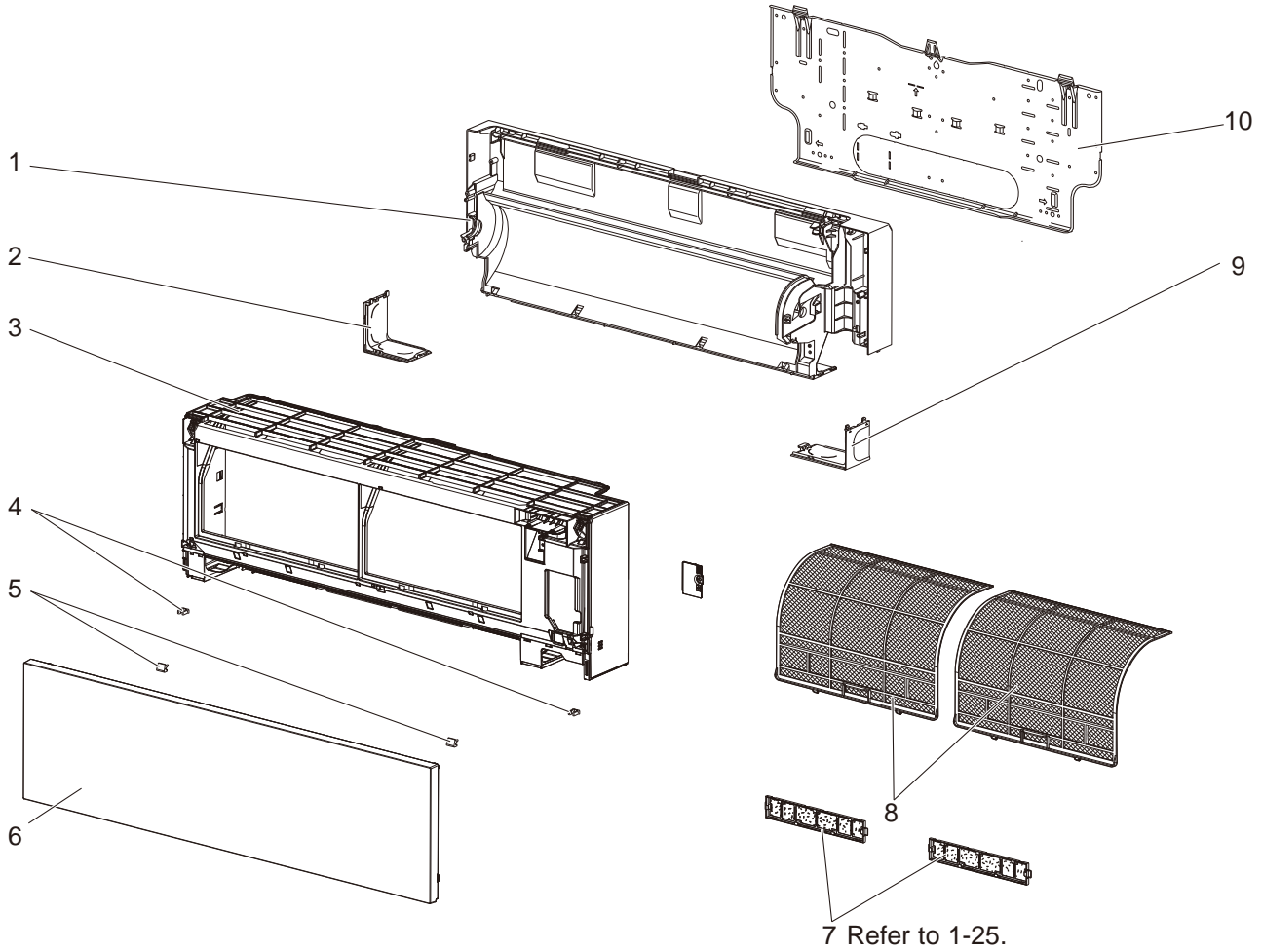
No.	Part No.	Part name	Symbol in Wiring Diagram	Q'ty/unit																Remarks
				MSZ-EF																
				18			22			25			35			42			50	
VGKW	VGKB	VGKS	VGKW	VGKB	VGKS	VGKW	VGKB	VGKS	VGKW	VGKB	VGKS	VGKW	VGKB	VGKS	VGKW	VGKB	VGKS			
	-E1	-E1	-E1	-E1	-E1	-E1	-E1	-E1	-E1	-E1	-E1	-E1	-E1	-E1	-E1	-E1	-E1			
1	E22 751 509	BEARING MOUNT		1	1	1	1	1	1	1	1	1	1	1	1	1	1	1	Includes Sleeve bearing	
2	E22 P72 702	DRAIN HOSE		1	1	1	1	1	1	1	1	1	1	1	1	1	1	1		
3	E22 16H 235	NOZZLE ASSEMBLY		1		1			1			1			1			1	Full assembly except DRAIN HOSE	
	E22 G21 235			1		1			1			1			1			1		
	E22 G26 235			1		1			1			1			1			1		
4	E22 16H 040	VANE UPPER		1		1			1			1			1			1		
	E22 G21 040			1		1			1			1			1			1		
	E22 G26 040			1		1			1			1			1			1		
5	E22 16H 041	VANE LOWER		1		1			1			1			1			1		
	E22 G21 041			1		1			1			1			1			1		
	E22 G26 041			1		1			1			1			1			1		
6	E22 A89 303	VANE MOTOR	MV1, MV2	2	2	2	2	2	2	2	2	2	2	2	2	2	2	2	UP & DOWN, 1 PC/SET	
7	E22 F95 308	ROOM TEMPERATURE THERMISTOR	RT11	1	1	1	1	1	1	1	1	1	1	1	1	1	1	1		
8	E22 F95 095	DISPLAY P.C. BOARD HOLDER		1	1	1	1	1	1	1	1	1	1	1	1	1	1	1		
9	E22 T21 375	TERMINAL BLOCK	TB	1	1	1	1	1	1	1	1	1	1	1	1	1	1	1		
10	E22 45L 452	ELECTRONIC CONTROL P.C. BOARD		1	1	1	1	1	1										Includes RECEIVER P.C. BOARD, DISPLAY P.C. BOARD and SWITCH P.C. BOARD.	
	E22 51L 452								1	1	1									
	E22 54L 452									1	1	1								
	E22 57L 452												1	1	1					
	E22 60L 452															1	1	1		
11	E22 45L 440	POWER P.C. BOARD		1	1	1	1	1	1	1	1	1	1	1	1					
	E22 60L 440															1	1	1		
12	E22 F95 307	INDOOR COIL THERMISTOR	RT12,RT13	1	1	1	1	1	1	1	1	1	1	1	1	1	1	1		
13	E22 B75 385	VARISTOR	NR11	1	1	1	1	1	1	1	1	1	1	1	1	1	1	1		
14	E22 42J 382	FUSE	F11	1	1	1	1	1	1	1	1	1	1	1	1	1	1	1	T3.15AL250V	
15	E22 45L 457	WI-FI INTERFACE		1	1	1	1	1	1	1	1	1	1	1	1	1	1	1	MAC-577IF2-E	
16	E22 F95 784	V.A. CLAMP		1	1	1	1	1	1	1	1	1	1	1	1	1	1	1		
17	E22 45L 541	WATER CUT		1	1	1	1	1	1	1	1	1	1	1	1	1	1	1		
18	E22 29L 300	INDOOR FAN MOTOR	MF	1	1	1	1	1	1	1	1	1	1	1	1	1	1	1	RC0J40-□□ Includes FAN MOTOR RUBBER MOUNT (2 PCS/SET)	
19	E22 F95 333	MOTOR BAND		1	1	1	1	1	1	1	1	1	1	1	1	1	1	1		
20	E22 F95 302	LINE FLOW FAN		1	1	1	1	1	1	1	1	1	1	1	1	1	1	1		

1-20. INDOOR UNIT HEAT EXCHANGER

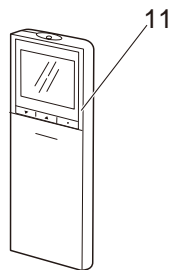
No.	Part No.	Part name	Symbol in Wiring Diagram	Q'ty/unit																Remarks
				MSZ-EF																
				18			22			25			35			42			50	
VGKW	VGKB	VGKS	VGKW	VGKB	VGKS	VGKW	VGKB	VGKS	VGKW	VGKB	VGKS	VGKW	VGKB	VGKS	VGKW	VGKB	VGKS			
	-E1	-E1	-E1	-E1	-E1	-E1	-E1	-E1	-E1	-E1	-E1	-E1	-E1	-E1	-E1	-E1	-E1			
21	E22 F95 620	INDOOR HEAT EXCHANGER		1	1	1	1	1	1	1	1	1	1	1	1	1	1	1		
22	E22 151 667	UNION (LIQUID)		1	1	1	1	1	1	1	1	1	1	1	1	1	1	1	ø6.35	
23	E22 815 666	UNION (GAS)		1	1	1	1	1	1	1	1	1	1	1	1	1	1	1	ø9.52	

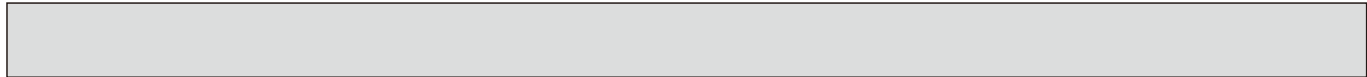
MSZ-EF22VGKW -ET1 MSZ-EF22VGKB -ET1 MSZ-EF22VGKS -ET1
MSZ-EF25VGKW -ET1 MSZ-EF25VGKB -ET1 MSZ-EF25VGKS -ET1
MSZ-EF35VGKW -ET1 MSZ-EF35VGKB -ET1 MSZ-EF35VGKS -ET1
MSZ-EF42VGKW -ET1 MSZ-EF42VGKB -ET1 MSZ-EF42VGKS -ET1
MSZ-EF50VGKW -ET1 MSZ-EF50VGKB -ET1 MSZ-EF50VGKS -ET1

1-21. INDOOR UNIT STRUCTURAL PARTS



1-22. ACCESSORY AND REMOTE CONTROLLER





1-21. INDOOR UNIT STRUCTURAL PARTS

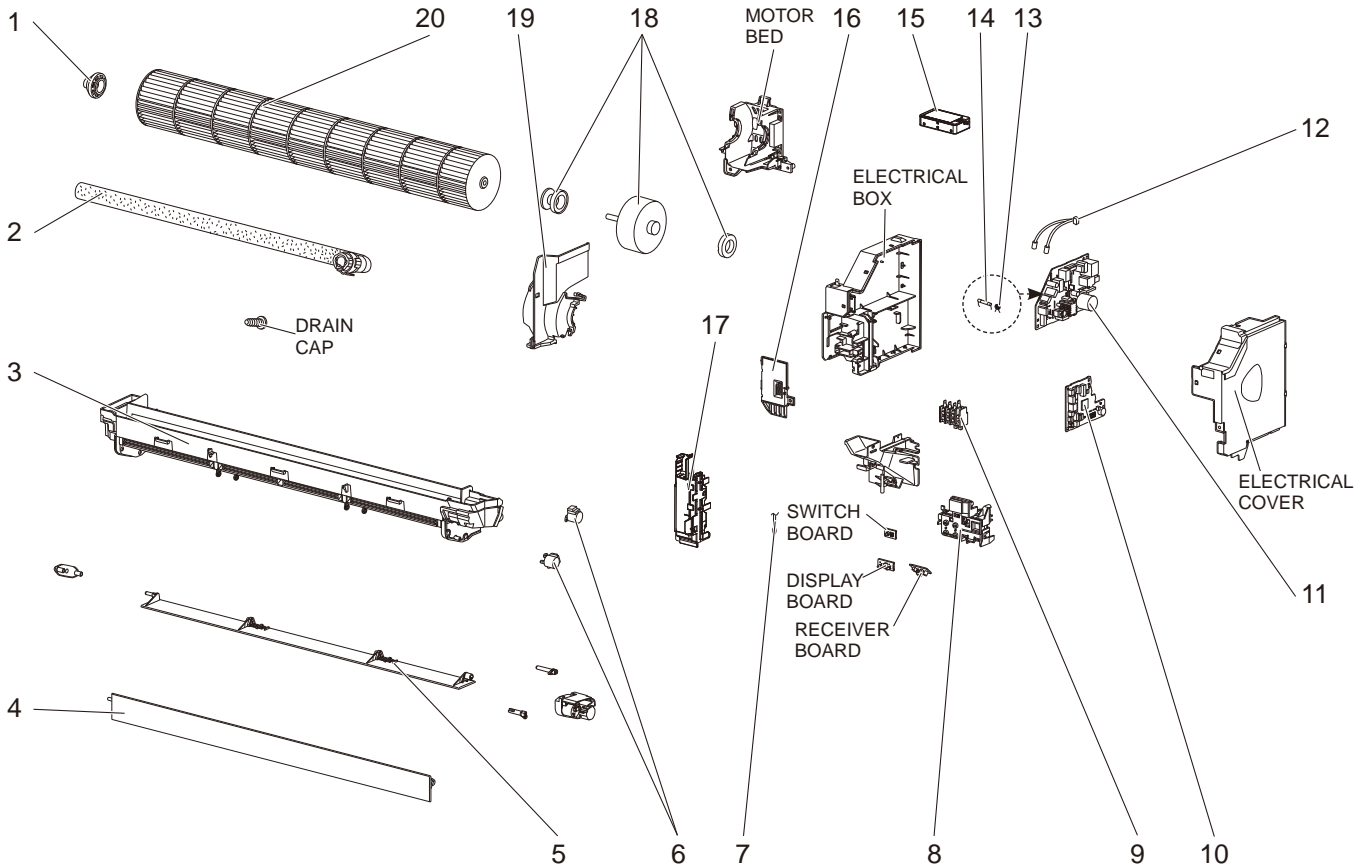
No.	Part No.	Part name	Symbol in Wiring Diagram	Q'ty/unit															Remarks	
				MSZ-EF																
				22			25			35			42			50				
				VGKW	VGKB	VGKS	VGKW	VGKB	VGKS	VGKW	VGKB	VGKS	VGKW	VGKB	VGKS	VGKW	VGKB	VGKS		
1	E22 16H 234	BOX ASSEMBLY		1			1			1			1			1				
	E22 G21 234				1		1			1			1			1				
	E22 G26 234					1		1			1			1			1			
2	E22 16H 976	CORNER BOX LEFT		1			1			1			1			1				
	E22 G21 976				1		1			1			1			1				
	E22 G26 976					1		1			1			1			1			
3	E22 48L 000	PANEL ASSEMBLY		1			1			1			1			1				Includes No. 4, 6
	E22 49L 000				1		1			1			1			1				Includes No. 4, 6
	E22 50L 000					1		1			1			1			1			
4	E22 F95 142	CATCH		2	2	2	2	2	2	2	2	2	2	2	2	2	2	2	2	2 PCS/SET
5	E22 16H 067	SCREW CAP		2			2			2			2			2				2 PCS/SET
	E22 G21 067				2		2			2			2			2				2 PCS/SET
	E22 G26 067					2		2			2			2			2			
6	E22 16H 010	FRONT PANEL		1			1			1			1			1				
	E22 T25 010				1		1			1			1			1				
	E22 T29 010					1		1			1			1			1			
7	—	AIR CLEANING FILTER (SILVER-IONIZED AIR PURIFIER FILTER)		2	2	2	2	2	2	2	2	2	2	2	2	2	2	2	2	1 PC/SET
8	E22 16H 100	AIR FILTER (AIR PURIFYING FILTER)		2	2	2	2	2	2	2	2	2	2	2	2	2	2	2	2	1 PC/SET
9	E22 16H 975	CORNER BOX RIGHT		1			1			1			1			1				
	E22 G21 975				1		1			1			1			1				
	E22 G26 975					1		1			1			1			1			
10	E22 F95 970	INSTALLATION PLATE		1	1	1	1	1	1	1	1	1	1	1	1	1	1	1	1	

1-22. ACCESSORY AND REMOTE CONTROLLER

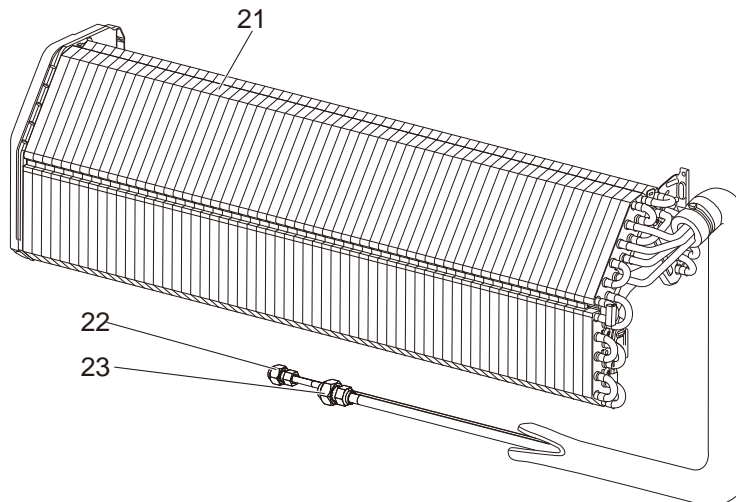
No.	Part No.	Part name	Symbol in Wiring Diagram	Q'ty/unit															Remarks	
				MSZ-EF																
				22			25			35			42			50				
				VGKW	VGKB	VGKS	VGKW	VGKB	VGKS	VGKW	VGKB	VGKS	VGKW	VGKB	VGKS	VGKW	VGKB	VGKS		
11	E22 16H 426	REMOTE CONTROLLER		1			1			1			1			1				SG19A
	E22 14H 426				1	1		1	1		1	1		1	1		1	1		

MSZ-EF22VGKW -[ET1] MSZ-EF22VGKB -[ET1] MSZ-EF22VGKS -[ET1]
MSZ-EF25VGKW -[ET1] MSZ-EF25VGKB -[ET1] MSZ-EF25VGKS -[ET1]
MSZ-EF35VGKW -[ET1] MSZ-EF35VGKB -[ET1] MSZ-EF35VGKS -[ET1]
MSZ-EF42VGKW -[ET1] MSZ-EF42VGKB -[ET1] MSZ-EF42VGKS -[ET1]
MSZ-EF50VGKW -[ET1] MSZ-EF50VGKB -[ET1] MSZ-EF50VGKS -[ET1]

1-23. INDOOR UNIT ELECTRICAL PARTS AND FUNCTIONAL PARTS



1-24. INDOOR UNIT HEAT EXCHANGER



1-23. INDOOR UNIT ELECTRICAL PARTS AND FUNCTIONAL PARTS

No.	Part No.	Part name	Symbol in Wiring Diagram	Q'ty/unit															Remarks	
				MSZ-EF																
				22			25			35			42			50				
VGKW	VGKB	VGKS	VGKW	VGKB	VGKS	VGKW	VGKB	VGKS	VGKW	VGKB	VGKS	VGKW	VGKB	VGKS	VGKW	VGKB	VGKS			
1	E22 751 509	BEARING MOUNT		1	1	1	1	1	1	1	1	1	1	1	1	1	1	1	Includes Sleeve bearing	
2	E22 P72 702	DRAIN HOSE		1	1	1	1	1	1	1	1	1	1	1	1	1	1	1		
3	E22 16H 235	NOZZLE ASSEMBLY		1			1			1			1			1			Full assembly except DRAIN HOSE	
	E22 G21 235				1		1		1		1		1		1		1			
	E22 G26 235					1		1		1		1		1		1		1		
4	E22 16H 040	VANE UPPER		1			1			1			1			1				
	E22 G21 040				1		1		1		1		1		1		1			
	E22 G26 040					1		1		1		1		1		1		1		
5	E22 16H 041	VANE LOWER		1			1			1			1			1				
	E22 G21 041				1		1		1		1		1		1		1			
	E22 G26 041					1		1		1		1		1		1		1		
6	E22 A89 303	VANE MOTOR	MV1, MV2	2	2	2	2	2	2	2	2	2	2	2	2	2	2	2	UP & DOWN, 1 PC/SET	
7	E22 F95 308	ROOM TEMPERATURE THERMISTOR	RT11	1	1	1	1	1	1	1	1	1	1	1	1	1	1	1		
8	E22 F95 095	DISPLAY P.C. BOARD HOLDER		1	1	1	1	1	1	1	1	1	1	1	1	1	1	1		
9	E22 T21 375	TERMINAL BLOCK	TB	1	1	1	1	1	1	1	1	1	1	1	1	1	1	1		
10	E22 45L 452	ELECTRONIC CONTROL P.C. BOARD		1	1	1													Includes RECEIVER P.C. BOARD, DISPLAY P.C. BOARD and SWITCH P.C. BOARD.	
	E22 51L 452					1	1	1												
	E22 54L 452								1	1	1									
	E22 57L 452											1	1	1						
	E22 60L 452														1	1	1			
11	E22 45L 440	POWER P.C. BOARD		1	1	1	1	1	1	1	1	1	1	1	1	1	1	1		
	E22 60L 440														1	1	1			
12	E22 F95 307	INDOOR COIL THERMISTOR	RT12,RT13	1	1	1	1	1	1	1	1	1	1	1	1	1	1	1		
13	E22 B75 385	VARISTOR	NR11	1	1	1	1	1	1	1	1	1	1	1	1	1	1	1		
14	E22 42J 382	FUSE	F11	1	1	1	1	1	1	1	1	1	1	1	1	1	1	1	T3.15AL250V	
15	E22 45L 457	WI-FI INTERFACE		1	1	1	1	1	1	1	1	1	1	1	1	1	1	1	MAC-577IF2-E	
16	E22 F95 784	V.A. CLAMP		1	1	1	1	1	1	1	1	1	1	1	1	1	1	1		
17	E22 45L 541	WATER CUT		1	1	1	1	1	1	1	1	1	1	1	1	1	1	1		
18	E22 29L 300	INDOOR FAN MOTOR	MF	1	1	1	1	1	1	1	1	1	1	1	1	1	1	1	RC0J40-□□ Includes FAN MOTOR RUBBER MOUNT (2 PCS/SET)	
19	E22 F95 333	MOTOR BAND		1	1	1	1	1	1	1	1	1	1	1	1	1	1	1		
20	E22 F95 302	LINE FLOW FAN		1	1	1	1	1	1	1	1	1	1	1	1	1	1	1		

1-24. INDOOR UNIT HEAT EXCHANGER

No.	Part No.	Part name	Symbol in Wiring Diagram	Q'ty/unit															Remarks
				MSZ-EF															
				22			25			35			42			50			
VGKW	VGKB	VGKS	VGKW	VGKB	VGKS	VGKW	VGKB	VGKS	VGKW	VGKB	VGKS	VGKW	VGKB	VGKS	VGKW	VGKB	VGKS		
21	E22 F95 620	INDOOR HEAT EXCHANGER		1	1	1	1	1	1	1	1	1	1	1	1	1	1	1	
22	E22 151 667	UNION (LIQUID)		1	1	1	1	1	1	1	1	1	1	1	1	1	1	1	ø6.35
23	E22 815 666	UNION (GAS)		1	1	1	1	1	1	1	1	1	1	1	1	1	1	1	ø9.52

1-25. AIR CLEANING FILTER (Silver-ionized air purifier filter)

Every 3 months:

- Remove dirt by a vacuum cleaner.

When dirt cannot be removed by vacuum cleaning:

- Soak the filter and its frame in lukewarm water before rinsing it.
- After washing, dry it well in shade. Install all tabs of the air filter.

Every year:

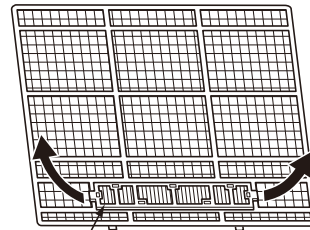
- Replace it with a new air cleaning filter for best performance.

NOTE 1: Clean the filters regularly for best performance and to reduce power consumption.

NOTE 2: Dirty filters cause condensation in the air conditioner which will contribute to the growth of fungi such as mold. It is therefore recommended to clean air filters every 2 weeks.

Model		Part No.
MSZ-EF18VGW	MSZ-EF35VGW	MAC-2370FT-E
MSZ-EF18VGB	MSZ-EF35VGB	
MSZ-EF18VGS	MSZ-EF35VGS	
MSZ-EF22VGW	MSZ-EF42VGW	
MSZ-EF22VGB	MSZ-EF42VGB	
MSZ-EF22VGS	MSZ-EF42VGS	
MSZ-EF25VGW	MSZ-EF50VGW	
MSZ-EF25VGB	MSZ-EF50VGB	
MSZ-EF25VGS	MSZ-EF50VGS	
MSZ-EF18VGKW	MSZ-EF35VGKW	
MSZ-EF18VGKB	MSZ-EF35VGKB	
MSZ-EF18VGKS	MSZ-EF35VGKS	
MSZ-EF22VGKW	MSZ-EF42VGKW	
MSZ-EF22VGKB	MSZ-EF42VGKB	
MSZ-EF22VGKS	MSZ-EF42VGKS	
MSZ-EF25VGKW	MSZ-EF50VGKW	
MSZ-EF25VGKB	MSZ-EF50VGKB	
MSZ-EF25VGKS	MSZ-EF50VGKS	

Pull to remove from the air filter



Air cleaning filter
(Silver-ionized air purifier filter)

2

OPTIONAL PARTS

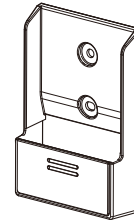
2-1. SOFT DRY CLOTH

- Clean the panel with the soft dry cloth when it is dirty.

Model		Part No.
MSZ-EF18VGW	MSZ-EF35VGW	MAC-1001CL-E
MSZ-EF18VGS	MSZ-EF35VGS	
MSZ-EF22VGW	MSZ-EF42VGW	
MSZ-EF22VGS	MSZ-EF42VGS	
MSZ-EF25VGW	MSZ-EF50VGW	
MSZ-EF25VGS	MSZ-EF50VGS	
MSZ-EF18VGKW	MSZ-EF35VGKW	
MSZ-EF18VGKS	MSZ-EF35VGKS	
MSZ-EF22VGKW	MSZ-EF42VGKW	
MSZ-EF22VGKS	MSZ-EF42VGKS	
MSZ-EF25VGKW	MSZ-EF50VGKW	
MSZ-EF25VGKS	MSZ-EF50VGKS	

2-2. REMOTE CONTROLLER HOLDER

Model		Part No.
MSZ-EF18VGW	MSZ-EF35VGW	MAC-1300RC-E
MSZ-EF18VGB	MSZ-EF35VGB	
MSZ-EF18VGS	MSZ-EF35VGS	
MSZ-EF22VGW	MSZ-EF42VGW	
MSZ-EF22VGB	MSZ-EF42VGB	
MSZ-EF22VGS	MSZ-EF42VGS	
MSZ-EF25VGW	MSZ-EF50VGW	
MSZ-EF25VGB	MSZ-EF50VGB	
MSZ-EF25VGS	MSZ-EF50VGS	
MSZ-EF18VGKW	MSZ-EF35VGKW	
MSZ-EF18VGKB	MSZ-EF35VGKB	
MSZ-EF18VGKS	MSZ-EF35VGKS	
MSZ-EF22VGKW	MSZ-EF42VGKW	
MSZ-EF22VGKB	MSZ-EF42VGKB	
MSZ-EF22VGKS	MSZ-EF42VGKS	
MSZ-EF25VGKW	MSZ-EF50VGKW	
MSZ-EF25VGKB	MSZ-EF50VGKB	
MSZ-EF25VGKS	MSZ-EF50VGKS	



MITSUBISHI ELECTRIC CORPORATION

HEAD OFFICE: TOKYO BUILDING, 2-7-3, MARUNOUCHI, CHIYODA-KU, TOKYO 100-8310, JAPAN

© Copyright 2019 MITSUBISHI ELECTRIC CORPORATION

Issued: Jan. 2020. No. OBB831 REVISED EDITION-A

Published: Mar. 2019. No. OBB831

Made in Japan

Specifications are subject to change without notice.