

INDOOR UNIT

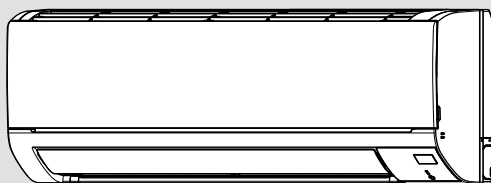
No. OBB750

PARTS CATALOG

Models

MSZ-DM25VA - E1, ER1

MSZ-DM35VA - E1, ER1



**MSZ-DM25VA
MSZ-DM35VA**



CONTENTS

- 1. RoHS PARTS LIST 2
- 2. OPTIONAL PARTS 6

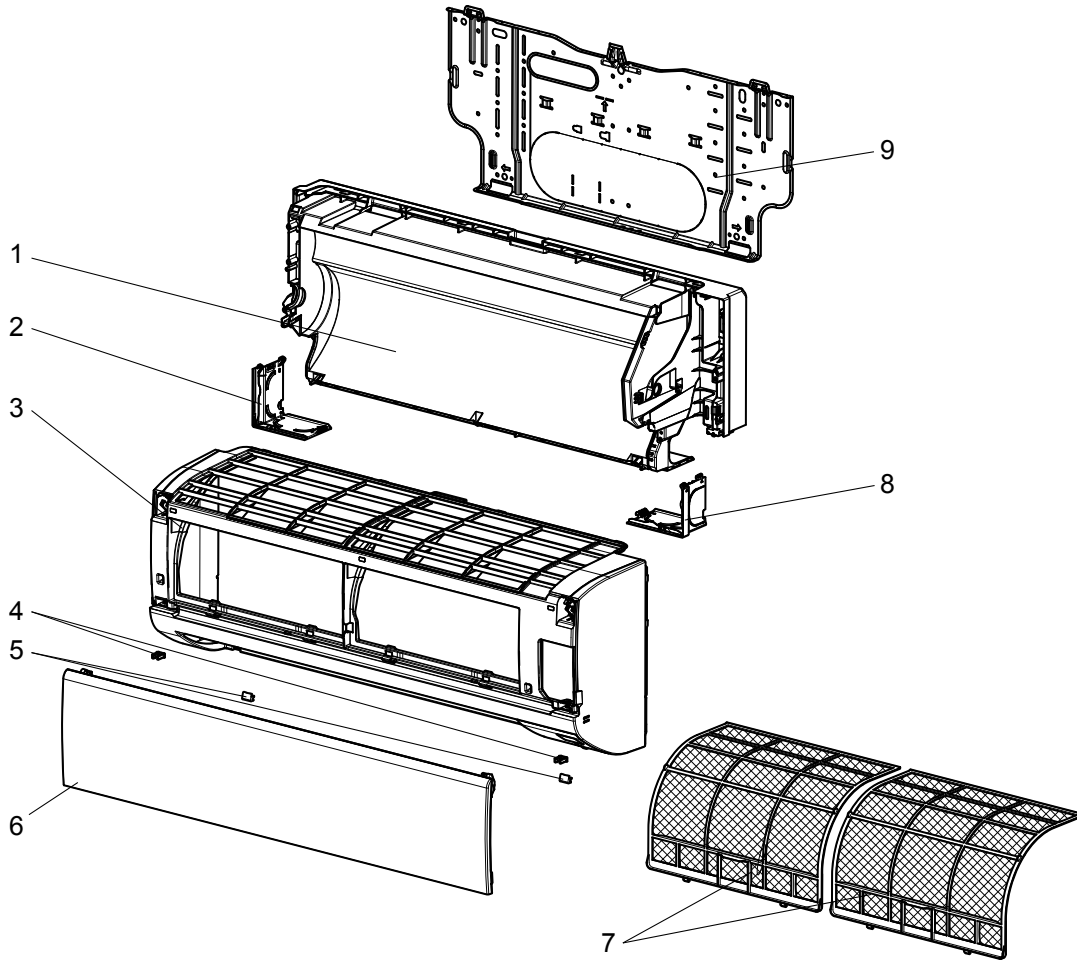
SERVICE MANUAL (OBH750)

NOTE:

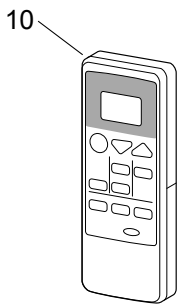
RoHS compliant products have
<G> mark on the spec name plate.

MSZ-DM25VA MSZ-DM35VA

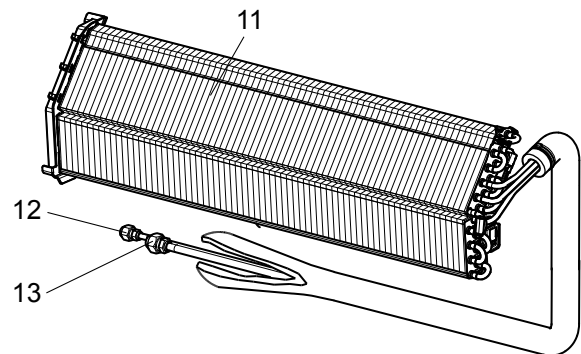
1-1. INDOOR UNIT STRUCTURAL PARTS



1-2. ACCESSORY AND REMOTE CONTROLLER



1-3. INDOOR UNIT HEAT EXCHANGER



RoHS PARTS LIST

1-1. INDOOR UNIT STRUCTURAL PARTS

No.	RoHS	Part No.	Part name	Symbol in Wiring Diagram	Q'ty/unit				Remarks
					MSZ-DM				
					25VA- E1	25VA- ER1	35VA- E1	35VA- ER1	
1	G	E12 J98 234	BOX ASSEMBLY		1	1	1	1	
2	G	E12 J98 976	CORNER BOX LEFT		1	1	1	1	
3	G	E12 T39 000	PANEL ASSEMBLY		1		1		Including No. 4,5,6
	G	E12 T41 000				1		1	
4	G	E12 F95 142	CATCH		2	2	2	2	2 PCS/SET
5	G	E12 913 067	SCREW CAP		2	2	2	2	2 PCS/SET
6	G	E12 T39 010	FRONT PANEL		1	1	1	1	
7	G	E12 J98 100	AIR FILTER		2	2	2	2	1 PC/SET
8	G	E12 J98 975	CORNER BOX RIGHT		1	1	1	1	
9	G	E12 J98 970	INSTALLATION PLATE		1	1	1	1	

1-2. ACCESSORY AND REMOTE CONTROLLER

No.	RoHS	Part No.	Part name	Symbol in Wiring Diagram	Q'ty/unit				Remarks
					MSZ-DM				
					25VA- E1	25VA- ER1	35VA- E1	35VA- ER1	
10	G	E12 T39 426	REMOTE CONTROLLER		1	1	1	1	RH16A

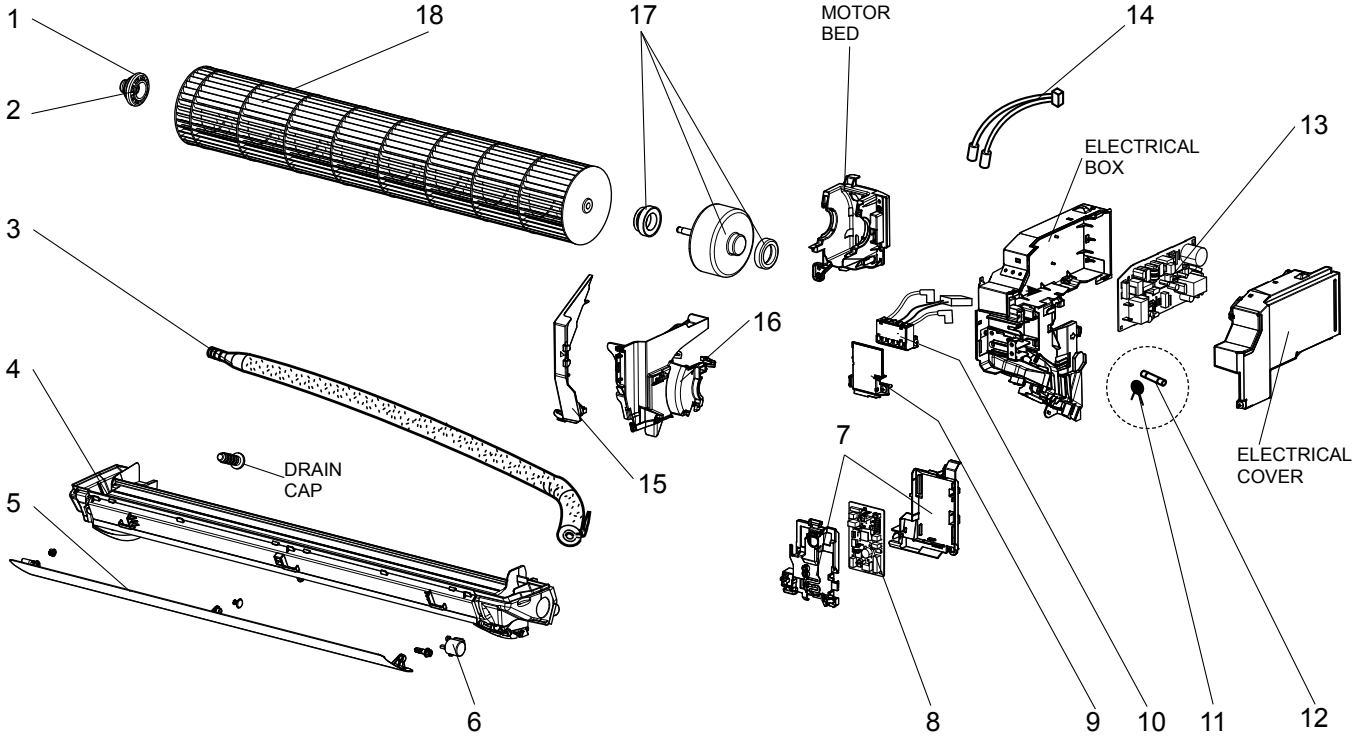
1-3. INDOOR UNIT HEAT EXCHANGER

No.	RoHS	Part No.	Part name	Symbol in Wiring Diagram	Q'ty/unit				Remarks
					MSZ-DM				
					25VA- E1	25VA- ER1	35VA- E1	35VA- ER1	
11	G	E12 J98 620	INDOOR HEAT EXCHANGER		1	1	1	1	
12	G	E12 C32 667	UNION (LIQUID)		1	1	1	1	ø6.35
13	G	E12 815 666	UNION (GAS)		1	1	1	1	ø9.52

RoHS PARTS LIST

MSZ-DM25VA MSZ-DM35VA

1-4. INDOOR UNIT ELECTRICAL PARTS AND FUNCTIONAL PARTS



RoHS PARTS LIST

1-4. INDOOR UNIT ELECTRICAL PARTS AND FUNCTIONAL PARTS

No.	RoHS	Part No.	Part name	Symbol in Wiring Diagram	Q'ty/unit				Remarks
					MSZ-DM				
					25VA- E1	25VA- ER1	35VA- E1	35VA- ER1	
1	G	E12 751 509	BEARING MOUNT		1	1	1	1	
2	G	E12 001 504	SLEEVE BEARING		1	1	1	1	
3	G	E12 P72 702	DRAIN HOSE		1	1	1	1	
4	G	E12 T39 235	NOZZLE ASSEMBLY		1	1	1	1	
5	G	E12 J98 040	HORIZONTAL VANE		1	1	1	1	
6	G	E12 A89 303	VANE MOTOR	MV	1	1	1	1	UP & DOWN, 1 PC/SET
7	G	E12 J98 095	CONTROL P.C. BOARD HOLDER ASSEMBLY		1	1	1	1	
8	G	E12 T39 452	ELECTRONIC CONTROL P.C. BOARD ※1		1	1			
	G	E12 T40 452					1	1	
9	G	E12 J98 784	V.A. CLAMP		1	1	1	1	
10	G	E12 J98 375	TERMINAL BLOCK ASSEMBLY ※2	TB	1	1	1	1	
11	G	E12 B75 385	VARISTOR	NR11	1	1	1	1	
12	G	E12 A49 382	FUSE	F11	1	1	1	1	T3.15AL250V
13	G	E12 J98 440	POWER P.C. BOARD		1	1	1	1	
14	G	E12 J98 307	INDOOR COIL THERMISTOR	RT12,RT13	1	1	1	1	
15	G	E12 J98 541	WATER COVER		1	1	1	1	
16	G	E12 J98 333	MOTOR BAND		1	1	1	1	
17	G	E12 E99 300	INDOOR FAN MOTOR ※3	MF	1	1	1	1	RC0J40-□□
18	G	E12 J98 302	LINE FLOW FAN		1	1	1	1	

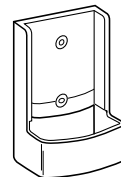
※1 Including ROOM TEMPERATURE THERMISTOR (RT11)

※2 Including THERMAL FUSE (F12)

※3 Including FAN MOTOR RUBBER MOUNT (2 PCS/SET)

2-1. REMOTE CONTROLLER HOLDER

Model	Part No.
MSZ-DM25VA MSZ-DM35VA	MAC-1200RC

**MITSUBISHI ELECTRIC CORPORATION**

HEAD OFFICE: TOKYO BLDG., 2-7-3, MARUNOUCHI, CHIYODA-KU, TOKYO 100-8310, JAPAN