

## INDOOR UNIT

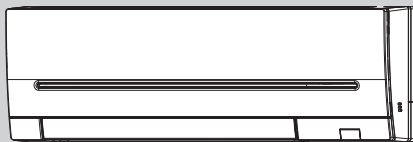
No. OBB838A

# PARTS CATALOG

### Models

**MSZ-AP15VG** - **E1**, **ET1**, **ER1**

**MSZ-AP20VG** - **E1**, **ET1**, **ER1**



**MSZ-AP15VG**  
**MSZ-AP20VG**

### CONTENTS

1. SERVICE PARTS LIST.....	2
----------------------------	---

**SERVICE MANUAL (OBH838A)**

**Revision A:**

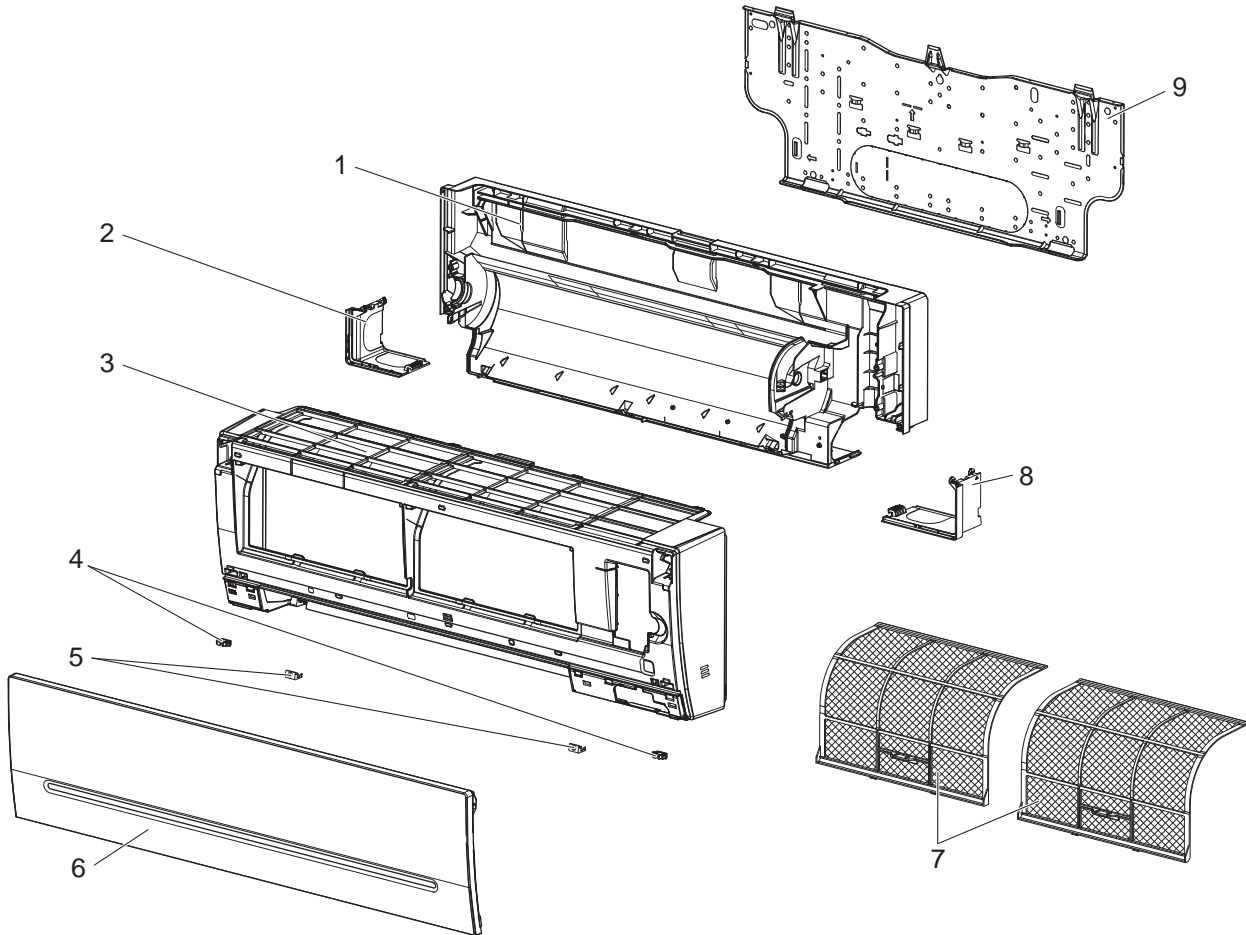
• MSZ-AP15/20VG-ER1 have been added.

**1**

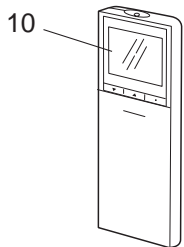
**SERVICE PARTS LIST**

**MSZ-AP15VG MSZ-AP20VG**

**1-1. INDOOR UNIT STRUCTURAL PARTS**



**1-2. ACCESSORY AND REMOTE CONTROLLER**





### 1-1. INDOOR UNIT STRUCTURAL PARTS

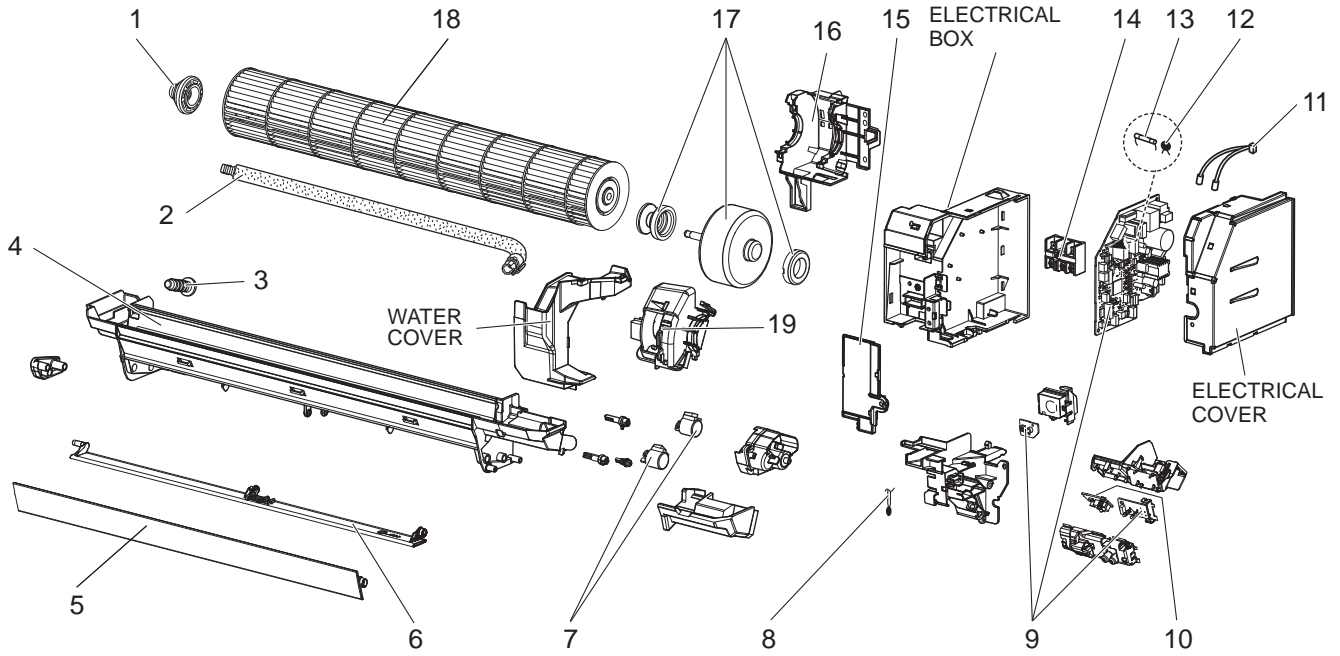
No.	Part No.	Part name	Symbol in Wiring Diagram	Q'ty/unit						Remarks
				MSZ-AP						
				15VG- E1	15VG- ET1	15VG- ER1	20VG- E1	20VG- ET1	20VG- ER1	
1	E22 31D 234	BOX ASSEMBLY		1	1	1	1	1	1	
2	E22 31D 976	CORNER BOX (LEFT)		1	1	1	1	1	1	
3	E22 31D 000	PANEL ASSEMBLY		1			1			Includes No. 4, 5 and 6
3	E22 44J 000	PANEL ASSEMBLY			1			1		
3	E22 32D 000	PANEL ASSEMBLY				1			1	
4	E22 K90 142	CATCH		2	2	2	2	2	2	2 PCS/SET
5	E22 31D 067	SCREW CAP		2	2	2	2	2	2	2 PCS/SET
6	E22 31D 010	FRONT PANEL ASSEMBLY		1	1	1	1	1	1	
7	E22 K90 100	AIR FILTER		2	2	2	2	2	2	1 PC/SET
8	E22 31D 975	CORNER BOX (RIGHT)		1	1	1	1	1	1	
9	E22 K90 970	INSTALLATION PLATE		1	1	1	1	1	1	

### 1-2. ACCESSORY AND REMOTE CONTROLLER

No.	Part No.	Part name	Symbol in Wiring Diagram	Q'ty/unit						Remarks
				MSZ-AP						
				15VG- E1	15VG- ET1	15VG- ER1	20VG- E1	20VG- ET1	20VG- ER1	
10	E22 42J 426	REMOTE CONTROLLER		1	1		1	1		SG19C
10	E22 46J 426	REMOTE CONTROLLER				1			1	

**MSZ-AP15VG MSZ-AP20VG**

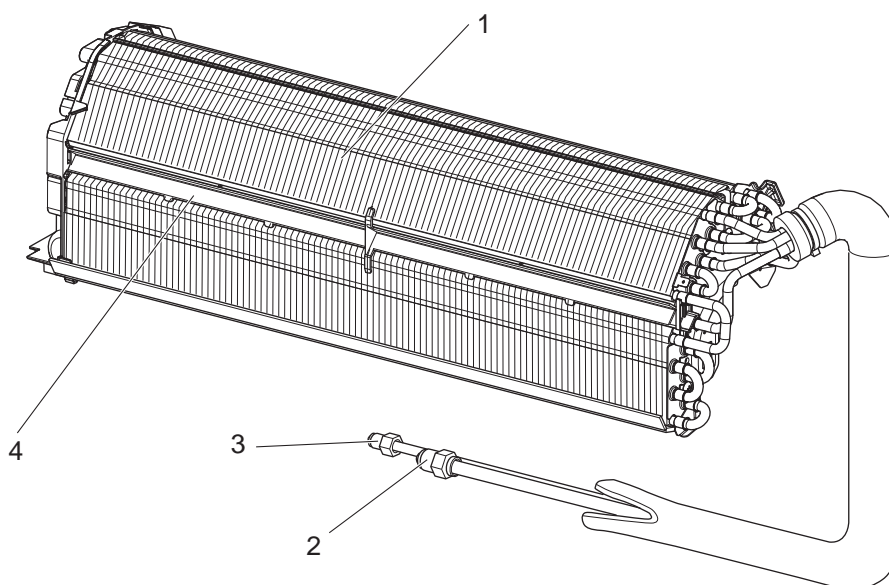
**1-3. INDOOR UNIT ELECTRICAL PARTS AND FUNCTIONAL PARTS**



### 1-3. INDOOR UNIT ELECTRICAL PARTS AND FUNCTIONAL PARTS

No.	Part No.	Part name	Symbol in Wiring Diagram	Q'ty/unit						Remarks
				MSZ-AP						
				15VG- E1	15VG- ET1	15VG- ER1	20VG- E1	20VG- ET1	20VG- ER1	
1	E22 A89 509	BEARING MOUNT ASSEMBLY		1	1	1	1	1	1	Includes sleeve bearing
2	E22 K90 702	DRAIN HOSE		1	1	1	1	1	1	
3	-	DRAIN CAP		1	1	1	1	1	1	SU26R611H01
4	E22 31D 235	NOZZLE ASSEMBLY		1	1	1	1	1	1	
5	E22 31D 040	VANE UPPER		1	1	1	1	1	1	
6	E22 31D 041	VANE LOWER		1	1	1	1	1	1	
7	E22 A89 303	VANE MOTOR	MV1, MV2	2	2	2	2	2	2	UP & DOWN
8	E22 K90 308	ROOM TEMPERATURE THERMISTOR	RT11	1	1	1	1	1	1	
9	E22 42J 452	ELECTRONIC CONTROL P.C. BOARD		1	1	1				Includes SW P.C. BOARD and DISPLAY P.C. BOARD
9	E22 43J 452	ELECTRONIC CONTROL P.C. BOARD					1	1	1	
10	E22 K90 468	POWER MONITOR RECEIVER P.C. BOARD		1	1	1	1	1	1	
11	E22 K90 307	INDOOR COIL THERMISTOR	RT12, RT13	1	1	1	1	1	1	
12	E22 K90 385	VARISTOR	NR11	1	1	1	1	1	1	
13	E22 42J 382	FUSE	F11	1	1	1	1	1	1	T3.15AL250V
14	E22 K90 375	TERMINAL BLOCK	TB	1	1	1	1	1	1	
15	E22 K90 784	V.A. CLAMP		1	1	1	1	1	1	
16	E22 42J 333	MOTOR BED		1	1	1	1	1	1	
17	E22 42J 300	INDOOR FAN MOTOR	MF	1	1	1	1	1	1	RC0J30-□□ Includes FAN MOTOR RUBBER MOUNT (2 PC/SET)
18	E22 K90 302	LINE FLOW FAN		1	1	1	1	1	1	
19	E22 K90 333	MOTOR BAND		1	1	1	1	1	1	

**MSZ-AP15VG MSZ-AP20VG**  
**1-4. INDOOR UNIT HEAT EXCHANGER**



No.	Part No.	Part name	Symbol in Wiring Diagram	Q'ty/unit						Remarks
				MSZ-AP						
				15VG- E1	15VG- ET1	15VG- ER1	20VG- E1	20VG- ET1	20VG- ER1	
1	E22 K90 620	INDOOR HEAT EXCHANGER		1	1	1	1	1	1	
2	E22 151 666	UNION (GAS)		1	1	1	1	1	1	ø9.52
3	E22 151 667	UNION (LIQUID)		1	1	1	1	1	1	ø6.35
4	E22 K90 707	DRAIN PLATE ASSEMBLY		1	1	1	1	1	1	

# MITSUBISHI ELECTRIC CORPORATION

HEAD OFFICE: TOKYO BUILDING., 2-7-3, MARUNOUCHI, CHIYODA-KU, TOKYO 100-8310, JAPAN

© Copyright 2019 MITSUBISHI ELECTRIC CORPORATION

Issued: Dec. 2019. No. OBB838 REVISED EDITION-A

Published: Apr. 2019. No. OBB838

Made in Japan

Specifications are subject to change without notice.