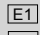
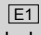
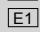


Revision A:

• MS-GF50VA- , MS-GF60VA-  and MS-GF80VA-  have been added.

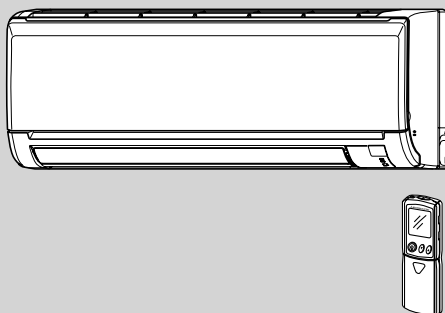
Please void OBB621.

INDOOR UNIT PARTS CATALOG

No. OBB621
REVISED EDITION-A

Models

MS-GF20VA - 
MS-GF25VA - 
MS-GF35VA - 
MS-GF50VA - 
MS-GF60VA - 
MS-GF80VA - 



CONTENTS

1. RoHS PARTS LIST.....2.....
2. OPTIONAL PARTS.....Back cover

SERVICE MANUAL (OBH621)

NOTE:

RoHS compliant products have <G> mark on the spec name plate.



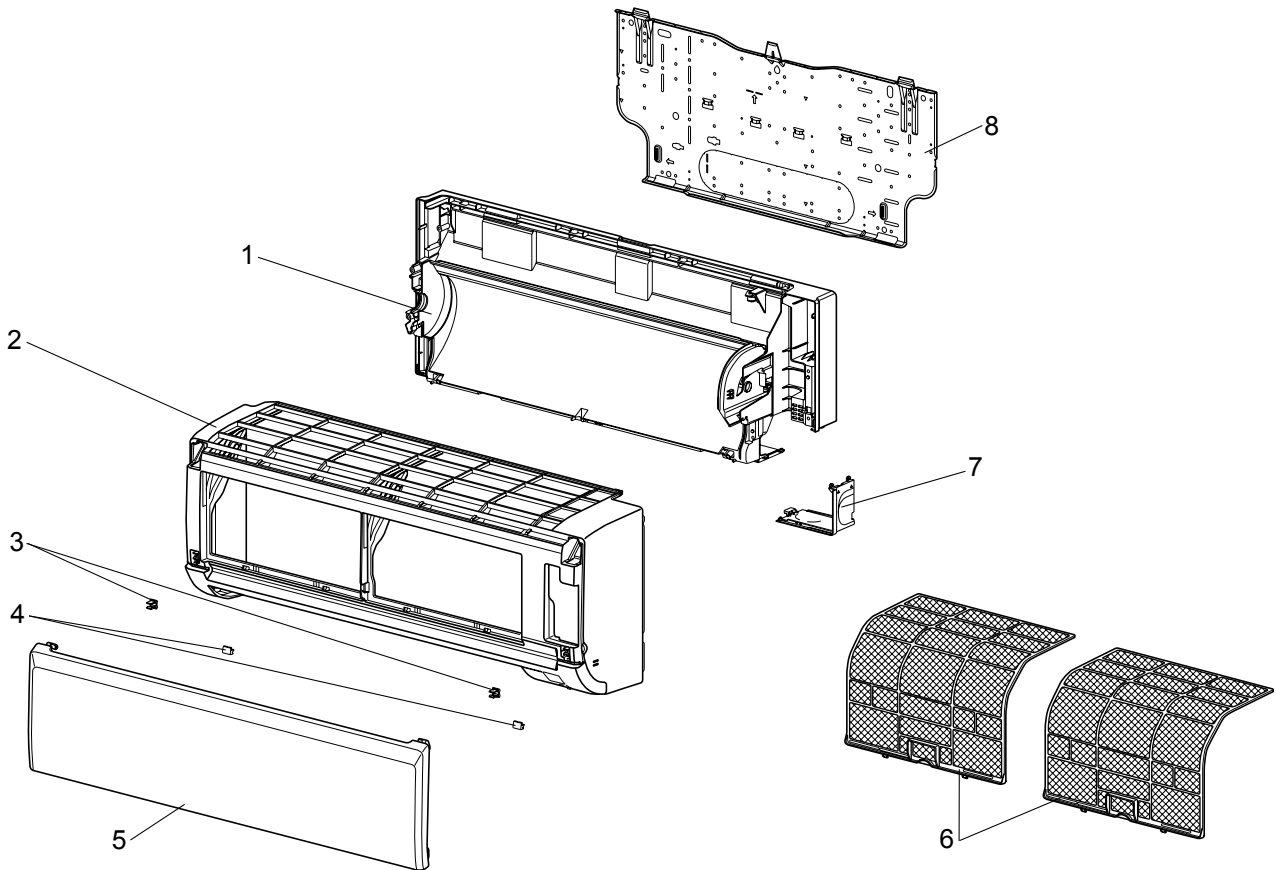
Revision A:

• MS-GF50VA- [E1], MS-GF60VA- [E1] and MS-GF80VA- [E1] have been added.

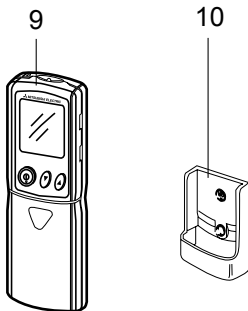
1 RoHS PARTS LIST

MS-GF20VA MS-GF25VA MS-GF35VA

1-1. INDOOR UNIT STRUCTURAL PARTS



1-2. ACCESSORY AND REMOTE CONTROLLER



RoHS PARTS LIST

1-1. INDOOR UNIT STRUCTURAL PARTS

No.	RoHS	Part No.	Part name	Symbol in Wiring Diagram	Q'ty/unit			Remarks
					MS-GF 20VA - [E1]	MS-GF 25VA - [E1]	MS-GF 35VA - [E1]	
1	G	E12 F89 234	BOX ASSEMBLY		1	1	1	
2	G	E12 H07 000	PANEL ASSEMBLY		1	1	1	Including No. 3,4,5
3	G	E12 408 142	CATCH		2	2	2	2 PCS/SET
4	G	E12 913 067	SCREW CAP		2	2	2	2 PCS/SET
5	G	E12 D68 010	FRONT PANEL		1	1	1	
6	G	E12 F63 100	NANO PLATINUM FILTER		2	2	2	1 PC/SET
7	G	E12 D68 975	CORNER BOX (RIGHT)		1	1	1	
8	G	E12 D68 970	INSTALLATION PLATE		1	1	1	

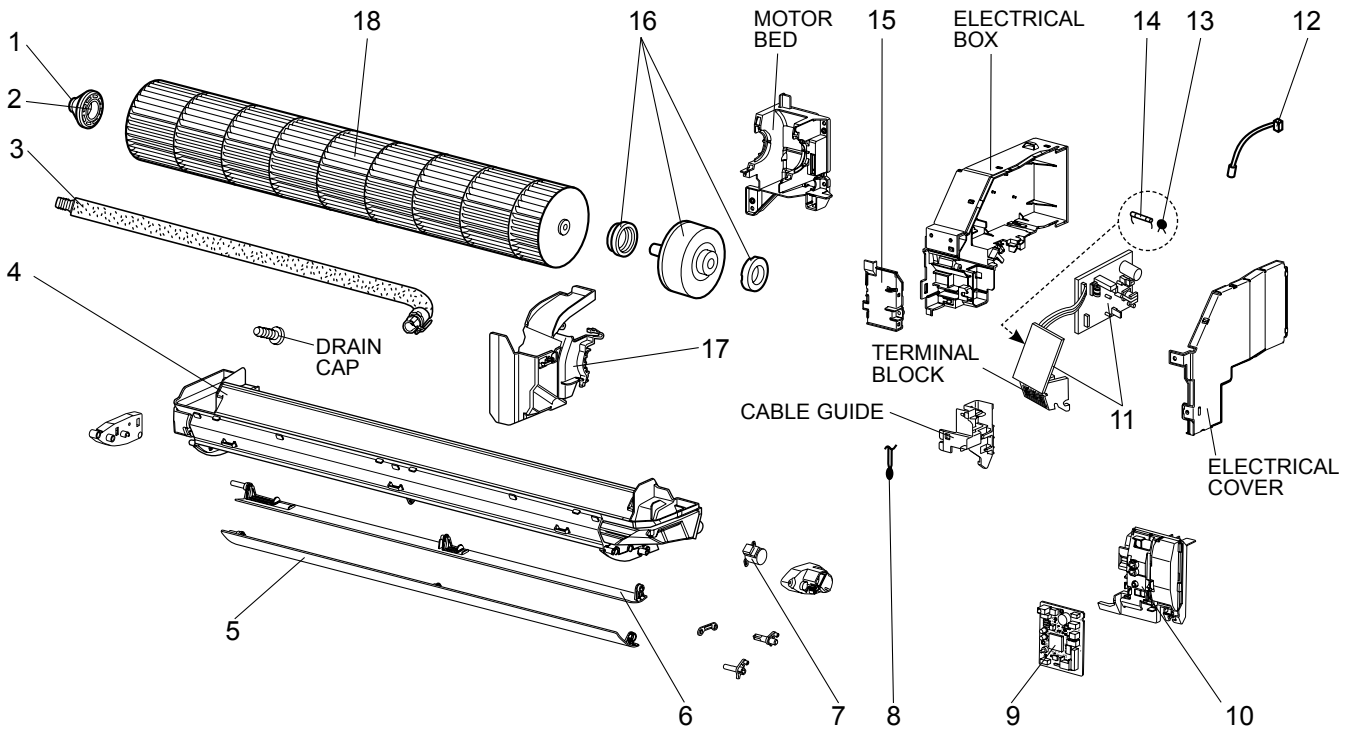
1-2. ACCESSORY AND REMOTE CONTROLLER

9	G	E12 H07 426	REMOTE CONTROLLER		1	1	1	KM12A
10	G	E12 527 083	REMOTE CONTROLLER HOLDER		1	1	1	

RoHS PARTS LIST

MS-GF20VA MS-GF25VA MS-GF35VA

1-3. INDOOR UNIT ELECTRICAL PARTS AND FUNCTIONAL PARTS



RoHS PARTS LIST

1-3. INDOOR UNIT ELECTRICAL PARTS AND FUNCTIONAL PARTS

No.	RoHS	Part No.	Part name	Symbol in Wiring Diagram	Q'ty/unit			Remarks
					MS-GF 20VA - [E1]	MS-GF 25VA - [E1]	MS-GF 35VA - [E1]	
1	G	E12 751 509	BEARING MOUNT		1	1	1	
2	G	E12 001 504	SLEEVE BEARING		1	1	1	
3	G	E12 897 702	DRAIN HOSE		1	1	1	
4	G	E12 H07 235	NOZZLE ASSEMBLY		1	1	1	
5	G	E12 F87 040	VANE (UPPER)		1	1	1	
6	G	E12 F87 041	VANE (LOWER)		1	1	1	
7	G	E12 A89 303	VANE MOTOR	MV	1	1	1	UP & DOWN
8	G	E12 D68 308	ROOM TEMPERATURE THERMISTOR	RT11	1	1	1	
9	G	E12 H07 452	INDOOR ELECTRONIC CONTROL P.C. BOARD		1	1		
	G	E12 H08 452	CONTROL P.C. BOARD				1	
10	G	E12 F87 095	INDOOR ELECTRONIC CONTROL P.C. BOARD HOLDER		1	1	1	
11	G	E12 H07 440	POWER P.C. BOARD ※1		1	1	1	
12	G	E12 F89 307	INDOOR COIL THERMISTOR	RT12	1	1	1	
13	G	E12 B75 385	VARISTOR	NR11	1	1	1	
14	G	E12 A49 382	FUSE	F11	1	1	1	T3.15AL250V
15	G	E12 F87 784	V.A. CLAMP		1	1	1	
16	G	E12 H07 300	INDOOR FAN MOTOR ※2	MF	1	1	1	RC4V18-□□
17	G	E12 D68 333	MOTOR BAND		1	1	1	
18	G	E12 A89 302	LINE FLOW FAN		1	1	1	

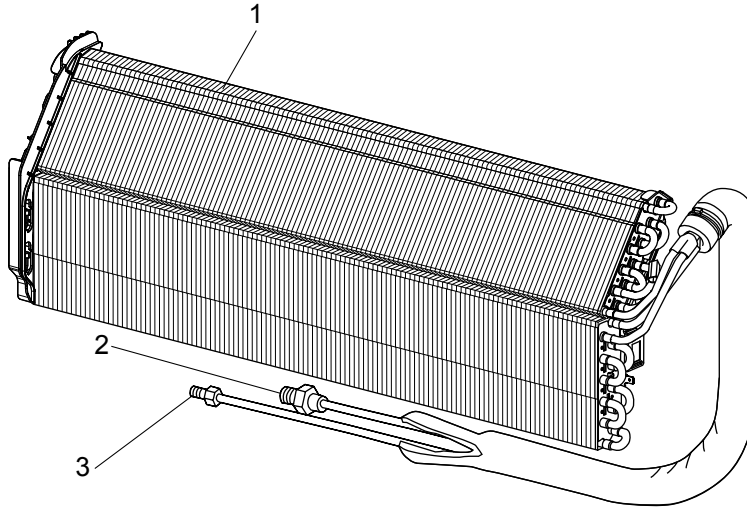
※1 Including TERMINAL BLOCK with TERMINAL P.C. BOARD

※2 Including FAN MOTOR RUBBER MOUNT (2 PCS/SET)

RoHS PARTS LIST

MS-GF20VA MS-GF25VA MS-GF35VA

1-4. INDOOR UNIT HEAT EXCHANGER

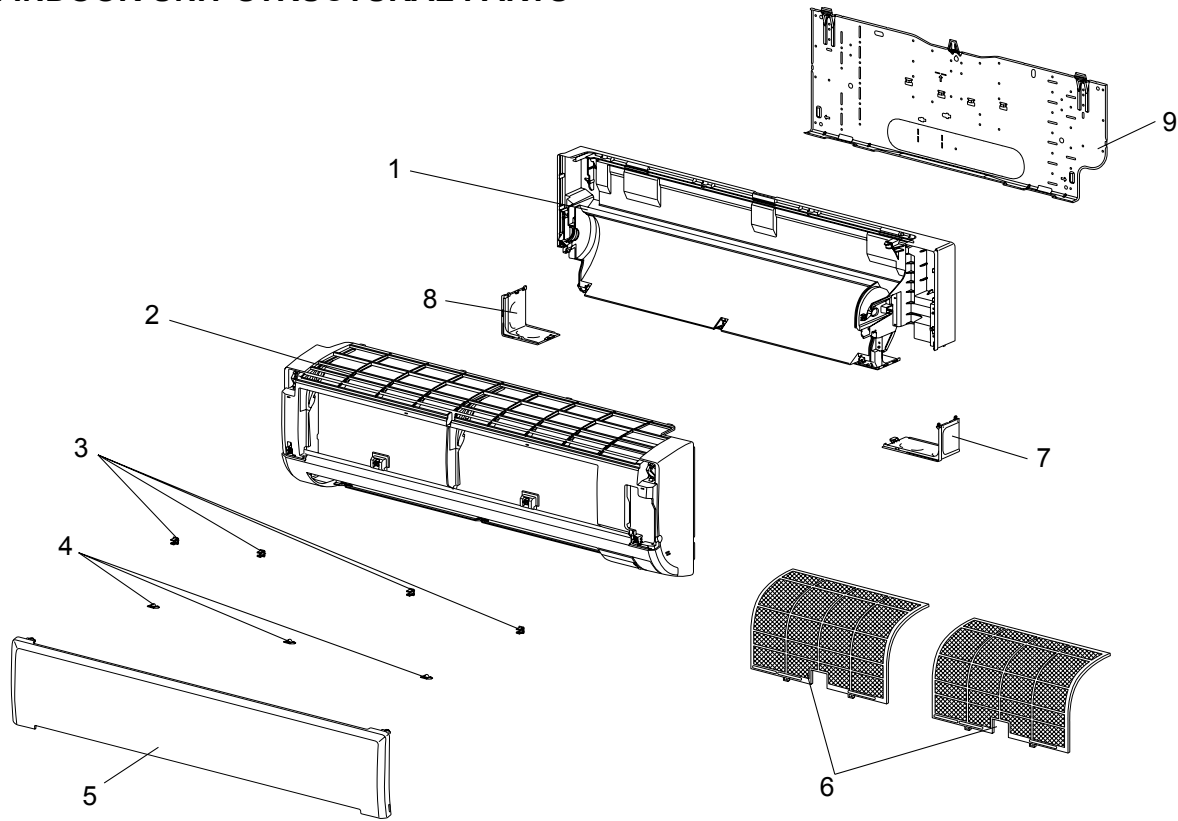


No.	RoHS	Part No.	Part name	Symbol in Wiring Diagram	Q'ty/unit			Remarks
					MS-GF 20VA - [E1]	MS-GF 25VA - [E1]	MS-GF 35VA - [E1]	
1	G	E12 H07 620	INDOOR HEAT EXCHANGER		1	1		
		E12 H08 620					1	
2	G	E12 815 666	UNION (GAS)		1	1	1	ø9.52
3	G	E12 C32 667	UNION (LIQUID)		1	1		ø6.35
		E12 C68 667					1	ø6.35

RoHS PARTS LIST

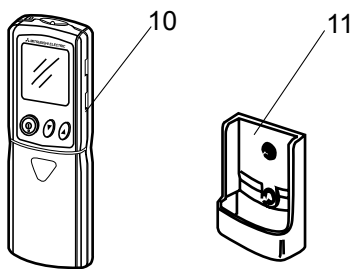
MS-GF50VA MS-GF60VA MS-GF80VA

1-1. INDOOR UNIT STRUCTURAL PARTS



No.	RoHS	Part No.	Part name	Symbol in Wiring Diagram	Q'ty/unit			Remarks
					MS-GF			
					50VA-[E1]	60VA-[E1]	80VA-[E1]	
1	G	E12 H09 234	BOX ASSEMBLY		1	1	1	
2	G	E12 H09 000	PANEL ASSEMBLY		1	1	1	Including No. 3,4,5
3	G	E12 408 142	CATCH		4	4	4	4 PCS/SET
4	G	E12 F28 067	SCREW CAP		3	3	3	3 PCS/SET
5	G	E12 F28 010	FRONT PANEL		1	1	1	
6	G	E12 F28 100	NANO PLATINUM FILTER		2	2	2	1 PC/SET
7	G	E12 F28 975	CORNER BOX (RIGHT)		1	1	1	
8	G	E12 F28 976	CORNER BOX (LEFT)		1	1	1	
9	G	E12 F28 970	INSTALLATION PLATE		1	1	1	

1-2. ACCESSORY AND REMOTE CONTROLLER

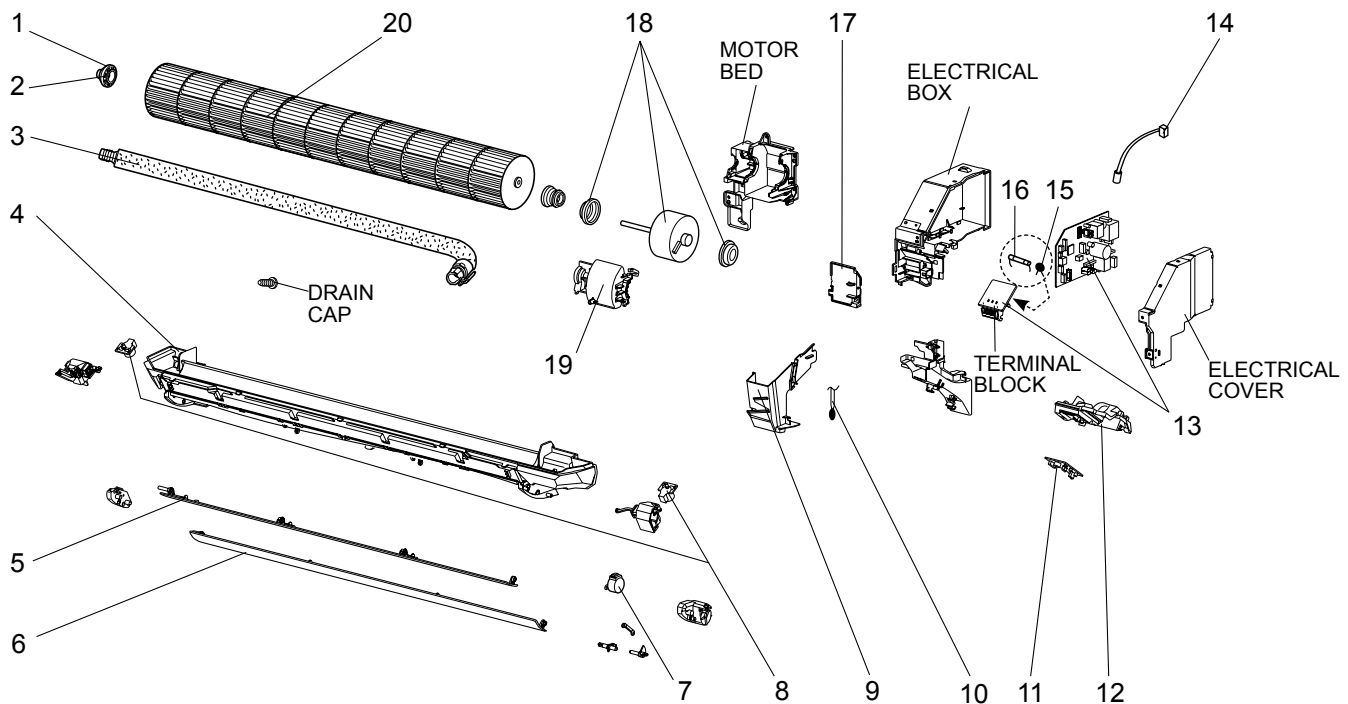


No.	RoHS	Part No.	Part name	Symbol in Wiring Diagram	Q'ty/unit			Remarks
					MS-GF			
					50VA-[E1]	60VA-[E1]	80VA-[E1]	
10	G	E12 H09 426	REMOTE CONTROLLER		1	1	1	KM12B
11	G	E12 527 083	REMOTE CONTROLLER HOLDER		1	1	1	

RoHS PARTS LIST

MS-GF50VA MS-GF60VA MS-GF80VA

1-3. INDOOR UNIT ELECTRICAL PARTS AND FUNCTIONAL PARTS



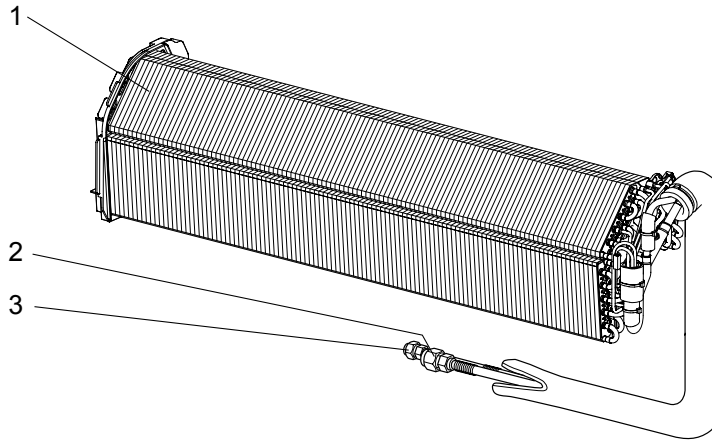
No.	RoHS	Part No.	Part name	Symbol in Wiring Diagram	Q'ty/unit			Remarks
					MS-GF			
					50VA-[E1]	60VA-[E1]	80VA-[E1]	
1	G	E12 751 509	BEARING MOUNT		1	1	1	
2	G	E12 001 504	SLEEVE BEARING		1	1	1	
3	G	E12 408 702	DRAIN HOSE		1	1	1	
4	G	E12 H09 235	NOZZLE ASSEMBLY		1	1	1	
5	G	E12 F76 040	VANE (UPPER)		1	1	1	
6	G	E12 F76 041	VANE (LOWER)		1	1	1	
7	G	E12 C33 303	VANE MOTOR (HORIZONTAL)	MV1	1	1	1	UP & DOWN
8	G	E12 C32 303	VANE MOTOR (VERTICAL)	MV2	2	2	2	RIGHT & LEFT
9	G	E12 F28 541	WATER CUT		1	1	1	
10	G	E12 C32 308	ROOM TEMPERATURE THERMISTOR	RT11	1	1	1	
11	G	E12 F28 468	POWER MONITOR RECEIVER SW P.C. BOARD		1	1	1	
12	G	E12 F28 095	POWER MONITOR RECEIVER HOLDER		1	1	1	
13	G	E12 H09 452	ELECTRONIC CONTROL P.C. BOARD ※1		1			
	G	E12 H10 452				1		
	G	E12 H11 452					1	
14	G	E12 F34 307	INDOOR COIL THERMISTOR	RT12	1	1	1	
15	G	E12 B75 385	VARISTOR	NR11	1	1	1	
16	G	E12 A49 382	FUSE	F11	1	1	1	T3.15AL250V
17	G	E12 F28 784	V.A. CLAMP		1	1	1	
18	G	E12 F28 300	INDOOR FAN MOTOR ※2	MF	1	1	1	RC0J56-□□
19	G	E12 F28 333	MOTOR BAND		1	1	1	
20	G	E12 F28 302	LINE FLOW FAN		1	1	1	

※1 Including TERMINAL BLOCK with TERMINAL P.C. BOARD

※2 Including FAN MOTOR RUBBER MOUNT (2 PCS/SET)

RoHS PARTS LIST

MS-GF50VA MS-GF60VA MS-GF80VA 1-4. INDOOR UNIT HEAT EXCHANGER



No.	RoHS	Part No.	Part name	Symbol in Wiring Diagram	Q'ty/unit			Remarks
					MS-GF			
					50VA-[E1]	60VA-[E1]	80VA-[E1]	
1	G	E12 H09 620	INDOOR HEAT EXCHANGER		1			
	G	E12 H10 620				1		
	G	E12 H11 620					1	
2	G	E12 179 667	UNION (GAS)		1			ø12.7
	G	E12 527 666				1	1	
3	G	E12 151 667	UNION (LIQUID)		1	1		ø6.35
	G	E12 151 666					1	

2-1. AIR CLEANING FILTER (ELECTROSTATIC ANTI-ALLERGY ENZYME FILTER)

Every 3 months:

- Remove dirt by a vacuum cleaner.

When dirt cannot be removed by vacuum cleaning:

- Soak the filter and its frame in lukewarm water before rinsing it.
- After washing, dry it well in shade. Install all tabs of the air filter.

Every year:

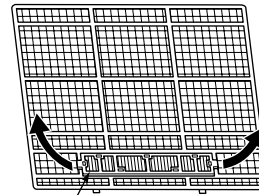
- Replace it with a new air cleaning filter for best performance.

NOTE 1: Clean the filters regularly for best performance and to reduce power consumption.

NOTE 2: Dirty filters cause condensation in the air conditioner which will contribute to the growth of fungi such as mold. It is therefore recommended to clean air filters every 2 weeks.

Model	Part No.
MS-GF20VA	MAC-2320FT
MS-GF25VA	
MS-GF35VA	

Pull to remove from the air filter



Air cleaning filter
(Electrostatic anti-allergy enzyme filter)

Model	Part No.
MS-GF50VA	MAC-2310FT
MS-GF60VA	
MS-GF80VA	



Air cleaning filter
(Electrostatic anti-allergy enzyme filter)

MITSUBISHI ELECTRIC CORPORATION

HEAD OFFICE: TOKYO BLDG., 2-7-3, MARUNOUCHI, CHIYODA-KU, TOKYO 100-8310, JAPAN