

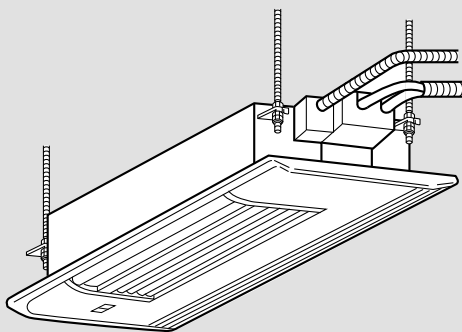
INDOOR UNIT

**No. OBB483
REVISED EDITION-D**

PARTS CATALOG

Models

MLZ-KA25VA	- E1 , E2 , E3 , E4
MLZ-KA25VA	- ER3 , ER4
MLZ-KA35VA	- E1 , E2 , E3 , E4
MLZ-KA35VA	- ER3 , ER4
MLZ-KA50VA	- E1 , E2 , E3 , E4
MLZ-KA50VA	- ER3 , ER4



MLZ-KA25VA
MLZ-KA35VA
MLZ-KA50VA



CONTENTS

1. RoHS PARTS LIST.....	3.....
2. OPTIONAL PARTS.....	10...

SERVICE MANUAL (OBB483)

NOTE:

RoHS compliant products have <G> mark on the spec name plate.

Revision A :

• MLZ-KA25/35/50VA-[E2] have been added.

Revision B :

• MLZ-KA25/35/50VA-[E3] have been added.

Revision C :

• MLZ-KA25/35/50VA-[ER3] have been added.

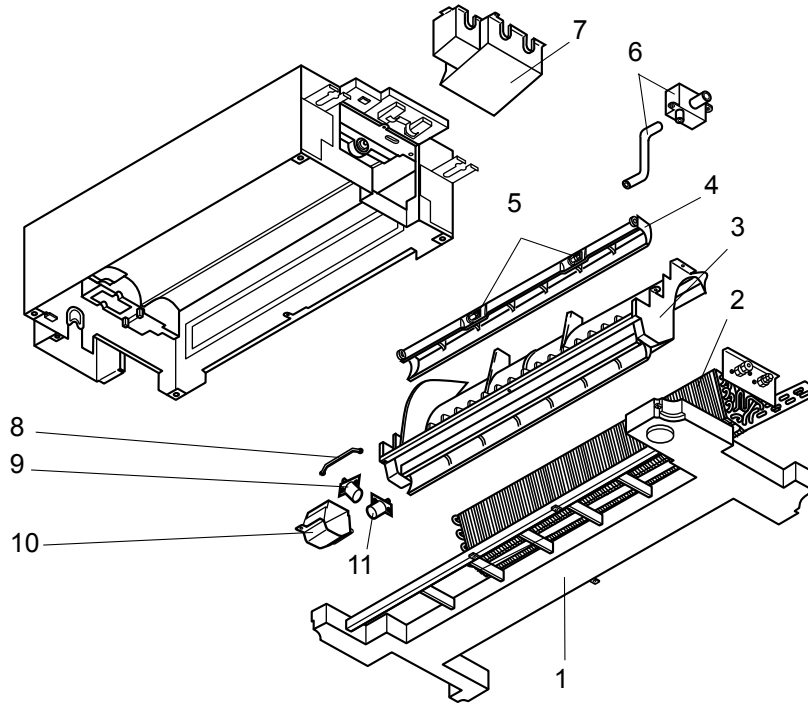
Revision D:

• MLZ-KA25/35/50VA-[E4], [ER4] have been added.

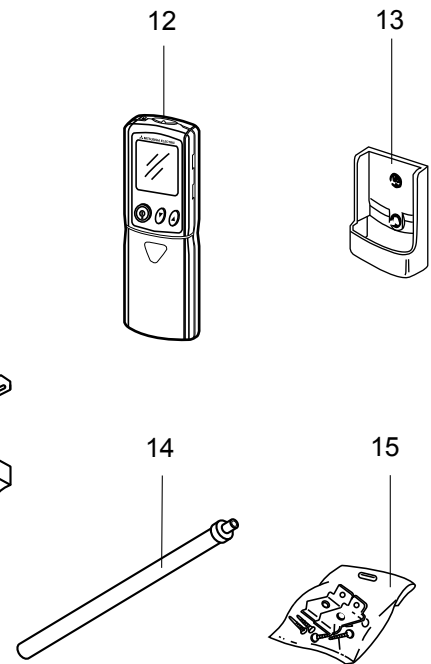
1

RoHS PARTS LIST

MLZ-KA25VA MLZ-KA35VA MLZ-KA50VA 1-1. INDOOR UNIT STRUCTURAL PARTS



1-2. ACCESSORY AND REMOTE CONTROLLER



1-1. INDOOR UNIT STRUCTURAL PARTS

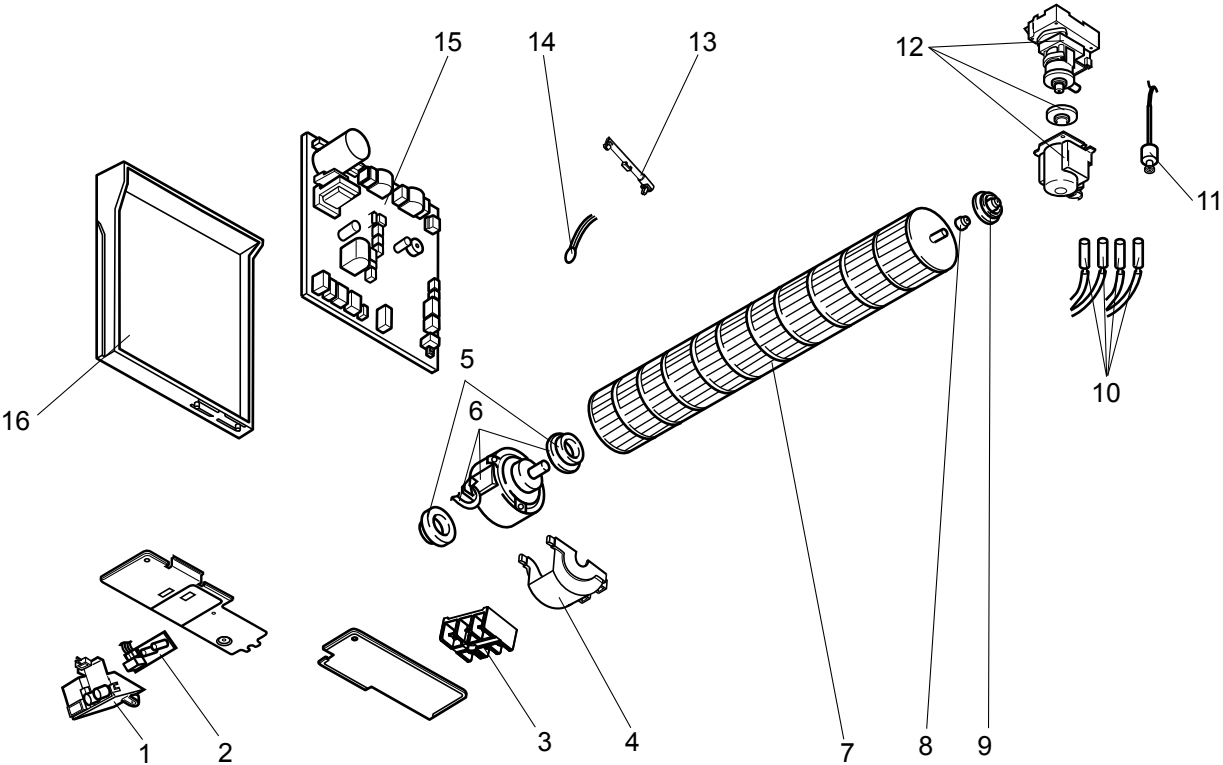
No.	RoHS	Part No.	Part Name	Symbol in Wiring Diagram	Q'ty/unit												Remarks	
					MLZ-KA													
					25VA -				35VA -				50VA -					
E1	E2	E3	E4	E1	E2	E3	E4	E1	E2	E3	E4							
1	G	M21 EA4 700	DRAIN PAN		1	1	1	1	1	1	1	1	1	1	1	1		
2	G	M21 EAS 620	INDOOR HEAT EXCHANGER		1	1	1	1	1	1	1	1						
	G	M21 EAT 620	EXCHANGER										1	1	1	1		
3	G	M21 L9V 279	STABILIZER ASSEMBLY		1	1	1		1	1	1		1	1	1		Including vertical vane	
	G	M21 EA4 279	ASSEMBLY				1				1					1		
4	G	M21 L9V 040	HORIZONTAL VANE		1	1	1		1	1	1		1	1	1			
	G	M21 EAF 040						1									1	
5	G	M21 L9V 049	VANE SHAFT		1	1	1	1	1	1	1	1	1	1	1	1	1	
6	G	M21 L9V 703	DRAIN PIPE		1	1	1	1	1	1	1	1	1	1	1	1	1	
7	G	M21 L9V 249	DRAIN COVER		1	1	1	1	1	1	1	1	1	1	1	1	1	
8	G	M21 L9V 915	LINK		1	1	1	1	1	1	1	1	1	1	1	1	1	CRANK SET
9	G	M21 L9V 306	VANE MOTOR (VERTICAL)	MV2	1	1	1	1	1	1	1	1	1	1	1	1	1	
10	G	M21 L9V 953	VANE MOTOR SUPPORT		1	1	1	1	1	1	1	1	1	1	1	1	1	
11	G	M21 L0W 306	VANE MOTOR	MV1	1	1	1		1	1	1		1	1	1			
	G	M21 EAL 306	(HORIZONTAL)					1					1				1	

1-2. ACCESSORY AND REMOTE CONTROLLER

No.	RoHS	Part No.	Part Name	Symbol in Wiring Diagram	Q'ty/unit												Remarks	
					MLZ-KA													
					25VA -				35VA -				50VA -					
E1	E2	E3	E4	E1	E2	E3	E4	E1	E2	E3	E4							
12	G	T2W 0A8 426	REMOTE CONTROLLER		1	1	1		1	1	1		1	1	1		KM07E	
	G	T2W EDS 426	CONTROLLER				1					1				1	KM152	
13	G	M21 0A8 083	REMOTE CONTROLLER HOLDER		1	1	1	1	1	1	1	1	1	1	1	1		
14	G	M21 L9V 702	DRAIN HOSE		1	1	1	1	1	1	1	1	1	1	1	1	1	
15	G	M21 L9V 250	ACCESSORY ASSEMBLY		1	1	1	1	1	1	1	1	1	1	1	1	1	Including washers and screws

RoHS PARTS LIST

MLZ-KA25VA MLZ-KA35VA MLZ-KA50VA 1-3. INDOOR UNIT ELECTRICAL PARTS AND FUNCTIONAL PARTS



RoHS PARTS LIST

MLZ-KA25VA MLZ-KA35VA MLZ-KA50VA

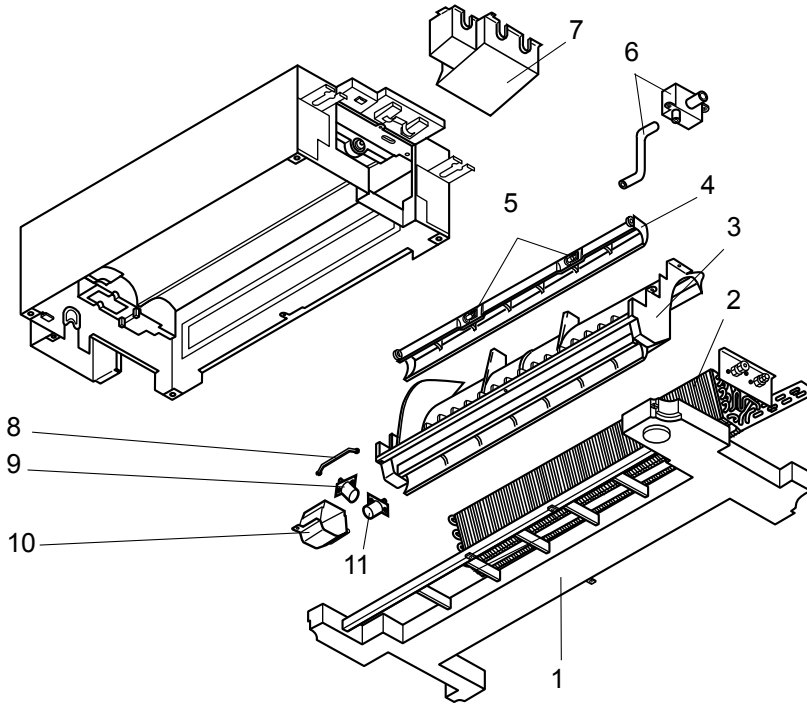
1-3. INDOOR UNIT ELECTRICAL PARTS AND FUNCTIONAL PARTS

Part numbers that are circled are not shown in the illustration.

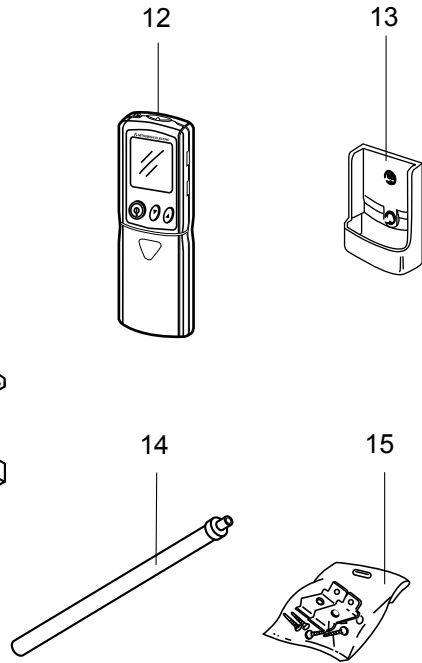
No.	RoHS	Part No.	Part Name	Symbol in Wiring Diagram	Q'ty/unit												Remarks
					MLZ-KA												
					25VA -				35VA -				50VA -				
E1	E2	E3	E4	E1	E2	E3	E4	E1	E2	E3	E4						
1	G	M21 L9V 781	LAMP COVER		1	1	1	1	1	1	1	1	1	1	1	1	
2	G	M21 L9V 326	DISPLAY RECEIVER		1	1	1		1	1	1		1	1	1		
	G	M21 EA2 326	P.C. BOARD				1				1					1	
3	G	T2W 0A2 376	TERMINAL BLOCK		1	1	1	1	1	1	1	1	1	1	1	1	
4	G	M21 L9V 024	MOTOR BAND		1	1	1	1	1	1	1	1	1	1	1	1	
5	G	M21 1A0 505	FAN MOTOR RUBBER MOUNT		1	1	1	1	1	1	1	1	1	1	1	1	
6	G	M21 1V0 300	INDOOR FAN MOTOR	MF	1	1	1	1	1	1	1	1	1	1	1	1	RC0J30-□□
7	G	M21 L9V 302	LINE FLOW FAN		1	1	1	1	1	1	1	1	1	1	1	1	
8	G	M21 L9V 504	SLEEVE BEARING		1	1	1	1	1	1	1	1	1	1	1	1	
9	G	M21 L9V 509	BEARING MOUNT		1	1	1	1	1	1	1	1	1	1	1	1	
10	G	M21 L9V 307	INDOOR COIL THERMISTOR	RT12,13	1	1	1		1	1	1						
	G	M21 EAP 307					1				1						
	G	M21 L2W 307		RT12,13,14								1	1	1			
	G	M21 EAS 307															1
	G	M21 L1W 307		RT15								1	1	1			
G	M21 EAR 307															1	
11	G	M21 L9V 312	FLOAT SENSOR	FS	1	1	1	1	1	1	1	1	1	1	1	1	
12	G	T2W EA1 303	DRAIN PUMP SET	DP	1	1	1	1	1	1	1	1	1	1	1	1	Including CUSHION x 2, BASE, COVER SET
13	G	M21 L9V 783	SENSOR HOLDER		1	1	1	1	1	1	1	1	1	1	1	1	COVER, HOLDER SET
14	G	M21 L9V 308	ROOM TEMPERATURE THERMISTOR	RT11	1	1	1		1	1	1		1	1	1		
	G	M21 EAG 307					1				1						1
15	G	T2W 0A8 450	ELECTRONIC CONTROL P.C. BOARD		1												
	G	T2W 1V0 450				1											
	G	T2W EGH 450					1										
	G	T2W ERM 450						1									
	G	T2W 0A9 450							1								
	G	T2W 1V1 450								1							
	G	T2W EGJ 450									1						
	G	T2W ERN 450										1					
	G	T2W 1A0 450											1				
	G	T2W 1V2 450												1			
G	T2W EGK 450												1				
G	T2W ERP 450															1	
16	G	M21 L9V 784	ELECTRONIC CONTROL P.C. BOARD BOX		1	1	1	1	1	1	1	1	1	1	1	1	
17	G	T2W L3V 382	FUSE	F11	1	1	1	1	1	1	1	1	1	1	1	1	T3.15AL250V
18	G	T2W L3V 384	VARISTOR	NR11	1	1	1		1	1	1		1	1	1		
	G	M21 9K1 313						1				1					
19	G	M21 L9V 708	PIPE FIXING BAND		1	1	1	1	1	1	1	1					
	G	M21 L3W 708	PIPE FIXING BAND										1	1	1	1	

RoHS PARTS LIST

MLZ-KA25VA MLZ-KA35VA MLZ-KA50VA
1-4. INDOOR UNIT STRUCTURAL PARTS



1-5. ACCESSORY AND
REMOTE CONTROLLER



RoHS PARTS LIST

MLZ-KA25VA MLZ-KA35VA MLZ-KA50VA

1-4. INDOOR UNIT STRUCTURAL PARTS

No.	RoHS	Part No.	Part Name	Symbol in Wiring Diagram	Q'ty/unit						Remarks
					MLZ-KA						
					25VA -		35VA -		50VA -		
ER3	ER4	ER3	ER4	ER3	ER4						
1	G	M21 EA4 700	DRAIN PAN		1	1	1	1	1	1	
2	G	M21 EAS 620	INDOOR HEAT		1	1	1	1			
	G	M21 EAT 620	EXCHANGER						1	1	
3	G	M21 L9V 279	STABILIZER ASSEMBLY		1		1		1		Including vertical vane
	G	M21 EA4 279				1		1		1	
4	G	M21 L9V 040	HORIZONTAL VANE		1		1		1		
	G	M21 EAF 040				1		1		1	
5	G	M21 L9V 049	VANE SHAFT		1	1	1	1	1	1	
6	G	M21 L9V 703	DRAIN PIPE		1	1	1	1	1	1	
7	G	M21 L9V 249	DRAIN COVER		1	1	1	1	1	1	
8	G	M21 L9V 915	LINK		1	1	1	1	1	1	CRANK SET
9	G	M21 L9V 306	VANE MOTOR (VERTICAL)	MV2	1	1	1	1	1	1	
10	G	M21 L9V 953	VANE MOTOR SUPPORT		1	1	1	1	1	1	
11	G	M21 L0W 306	VANE MOTOR	MV1	1		1		1		
	G	M21 EAL 306	(HORIZONTAL)				1		1		1

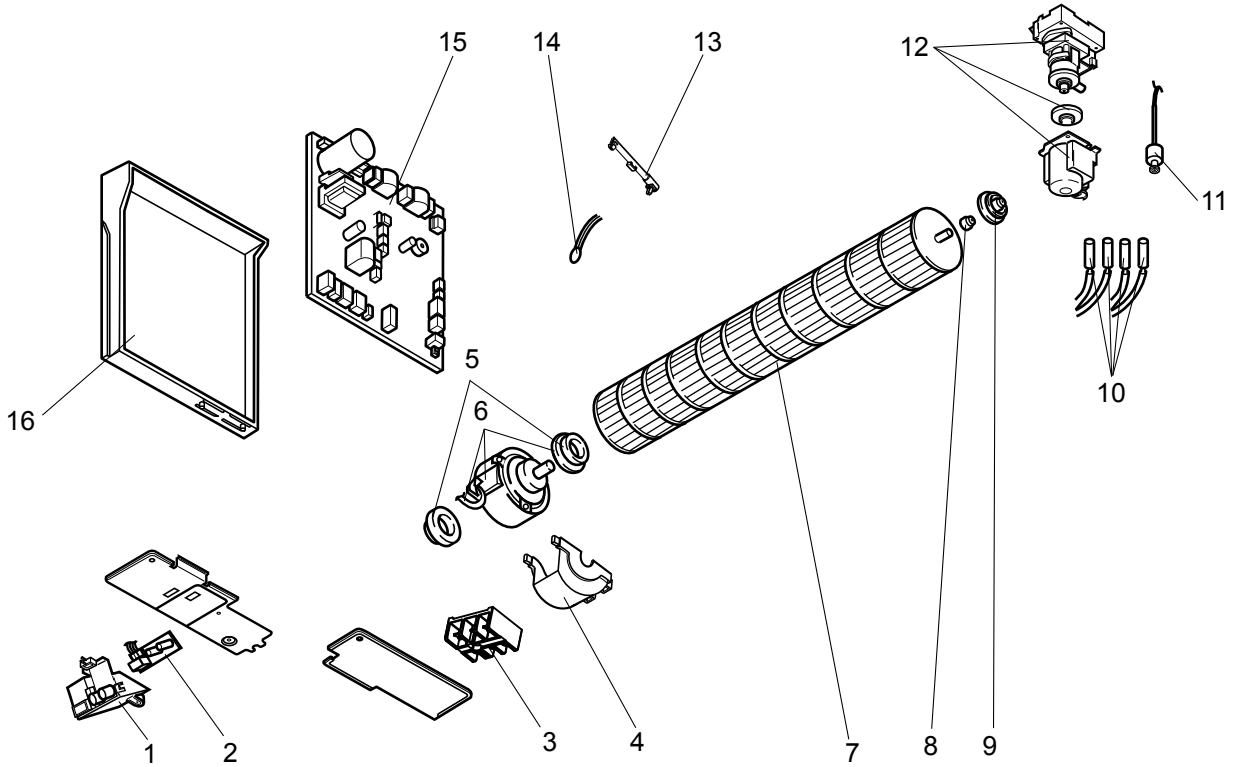
1-5. ACCESSORY AND REMOTE CONTROLLER

No.	RoHS	Part No.	Part Name	Symbol in Wiring Diagram	Q'ty/unit						Remarks
					MLZ-KA						
					25VA -		35VA -		50VA -		
ER3	ER4	ER3	ER4	ER3	ER4						
12	G	T2W 0A8 426	REMOTE CONTROLLER		1		1		1		KM07E
	G	T2W EDS 426				1		1		1	KM152
13	G	M21 0A8 083	REMOTE CONTROLLER HOLDER		1	1	1	1	1	1	
14	G	M21 L9V 702	DRAIN HOSE		1	1	1	1	1	1	
15	G	M21 L9V 250	ACCESSORY ASSEMBLY		1	1	1	1	1	1	Including washers and screws

RoHS PARTS LIST

MLZ-KA25VA MLZ-KA35VA MLZ-KA50VA

1-6. INDOOR UNIT ELECTRICAL PARTS AND FUNCTIONAL PARTS



RoHS PARTS LIST

MLZ-KA25VA MLZ-KA35VA MLZ-KA50VA

1-6. INDOOR UNIT ELECTRICAL PARTS AND FUNCTIONAL PARTS

Part numbers that are circled are not shown in the illustration.

No.	RoHS	Part No.	Part Name	Symbol in Wiring Diagram	Q'ty/unit						Remarks
					MLZ-KA						
					25VA -		35VA -		50VA -		
ER3	ER4	ER3	ER4	ER3	ER4						
1	G	M21 L9V 781	LAMP COVER		1	1	1	1	1	1	
2	G	M21 L9V 326	DISPLAY RECEIVER		1		1		1		
	G	M21 EA2 326	P.C. BOARD			1	1			1	
3	G	T2W 0A2 376	TERMINAL BLOCK		1	1	1	1	1	1	
4	G	M21 L9V 024	MOTOR BAND		1	1	1	1	1	1	
5	G	M21 1A0 505	FAN MOTOR RUBBER MOUNT		1	1	1	1	1	1	
6	G	M21 1V0 300	INDOOR FAN MOTOR	MF	1	1	1	1	1	1	RC0J30-□□
7	G	M21 L9V 302	LINE FLOW FAN		1	1	1	1	1	1	
8	G	M21 L9V 504	SLEEVE BEARING		1	1	1	1	1	1	
9	G	M21 L9V 509	BEARING MOUNT		1	1	1	1	1	1	
10	G	M21 L9V 307	INDOOR COIL THERMISTOR	RT12,13	1		1				
	G	M21 EAP 307				1		1			
	G	M21 L2W 307		RT12,13,14					1		
	G	M21 EAS 307								1	
	G	M21 L1W 307		RT15					1		
	G	M21 EAR 307								1	
11	G	M21 L9V 312	FLOAT SENSOR	FS	1	1	1	1	1	1	
12	G	T2W EA1 303	DRAIN PUMP SET	DP	1	1	1	1	1	1	Including CUSHION x 2, BASE, COVER SET
13	G	M21 L9V 783	SENSOR HOLDER		1	1	1	1	1	1	COVER, HOLDER SET
14	G	M21 L9V 308	ROOM TEMPERATURE THERMISTOR	RT11	1		1		1		
	G	M21 EAG 307				1		1		1	
15	G	T2W EGH 450	ELECTRONIC CONTROL P.C. BOARD		1						
	G	T2W ERM 450				1					
	G	T2W EGJ 450					1				
	G	T2W ERN 450						1			
	G	T2W EGK 450							1		
	G	T2W ERP 450								1	
16	G	M21 L9V 784	ELECTRONIC CONTROL P.C. BOARD BOX		1	1	1	1	1	1	
17	G	T2W L3V 382	FUSE	F11	1	1	1	1	1	1	T3.15AL250V
18	G	T2W L3V 384	VARISTOR	NR11	1		1		1		
	G	T2W 9K1 313				1		1		1	
19	G	M21 L9V 708	PIPE FIXING BAND		1	1	1	1			
	G	M21 L3W 708	PIPE FIXING BAND						1	1	

2

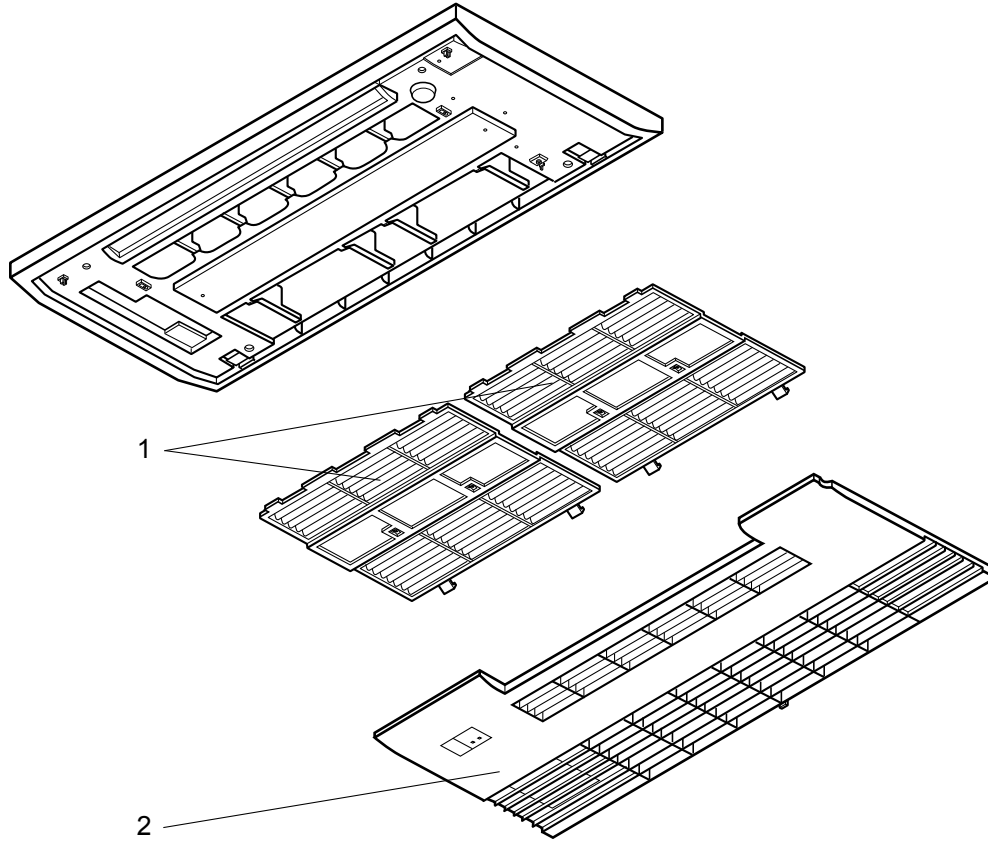
OPTIONAL PARTS

MLZ-KA25VA MLZ-KA35VA MLZ-KA50VA

2-1. GRILLE

MLP-440W: MLZ-KA·VA-E1, E2, E3, ER3

MLP-443W: MLZ-KA·VA-E4, ER4



Part numbers that are circled are not shown in the illustration.

No.	RoHS	Part No.	Part Name	Symbol in Wiring Diagram	Q'ty/unit												Remarks
					MLZ-KA												
					25VA -				35VA -				50VA -				
1	G	M21 0A8 100	AIR FILTER		2	2	2		2	2	2		2	2	2		
	G	M21 EAT 100					2				2				2		
2	G	T2W 0A8 010	INTAKE GRILLE ASSEMBLY		1	1	1		1	1	1		1	1	1		
	G	T2W EBS 010					1				1				1		
③	G	M21 0A8 067	SCREW CAP		1	1	1		1	1	1		1	1	1		
	G	M21 EA4 067					1				1				1		
④	G	M21 0A8 049	GRILLE SHAFT		2	2	2	2	2	2	2	2	2	2	2		
⑤	G	M21 0A8 250	SCREW BAG ASSEMBLY		1	1	1	1	1	1	1	1	1	1	1		

Part numbers that are circled are not shown in the illustration.

No.	RoHS	Part No.	Part Name	Symbol in Wiring Diagram	Q'ty/unit						Remarks
					MLZ-KA						
					25VA -		35VA -		50VA -		
1	G	M21 0A8 100	AIR FILTER		2		2		2		
	G	M21 EAT 100				2			2		2
2	G	T2W 0A8 010	INTAKE GRILLE ASSEMBLY		1		1		1		
	G	T2W EBS 010				1			1		1
③	G	M21 0A8 067	SCREW CAP		1		1		1		
	G	M21 EA4 067				1			1		1
④	G	M21 0A8 049	GRILLE SHAFT		2	2	2	2	2	2	
⑤	G	M21 0A8 250	SCREW BAG ASSEMBLY		1	1	1	1	1	1	

2-2. AIR FILTER

(CATECHIN AIR FILTER/ AIR PURIFYING FILTER)

- Clean the AIR FILTER about once every 2 weeks. Cleaning procedure is the same as AIR FILTER. Refer to the operating instructions book.
- Clogged AIR FILTER may reduce the air conditioner capacity and cause dew drop or frost on the indoor unit.

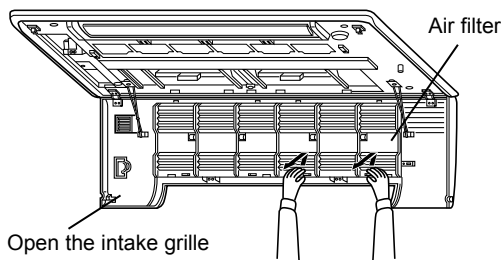
MAC-3004CF-E

- Catechin is a bioflavonoid that is found in green tea that has both antiviral and antioxidant qualities. In addition to these benefits, Catechin also offers excellent deodorizing characteristics. Catechin air filter uses this compound to not only improve air quality but also prevent the spread of bacteria and viruses in the room.

Model	Part No.
MLZ-KA25VA- <u>E1</u> , <u>E2</u> , <u>E3</u> , <u>ER3</u> MLZ-KA35VA- <u>E1</u> , <u>E2</u> , <u>E3</u> , <u>ER3</u> MLZ-KA50VA- <u>E1</u> , <u>E2</u> , <u>E3</u> , <u>ER3</u>	MAC-3004CF-E
MLZ-KA25VA- <u>E4</u> , <u>ER4</u> MLZ-KA35VA- <u>E4</u> , <u>ER4</u> MLZ-KA50VA- <u>E4</u> , <u>ER4</u>	MAC-3005CF-E

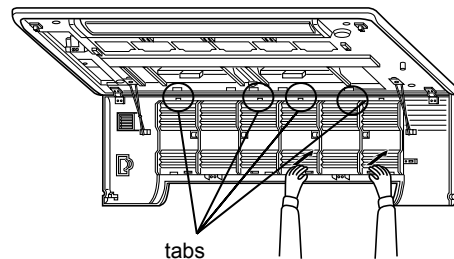
Replacement of the air filter

(1) Remove the air filter.



(2) Install a new air filter.

Be sure to install the tabs into the intake grille hole.



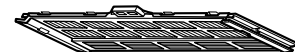
(3) Securely close the intake grille.

2-3. AIR CLEANING FILTER

(ANTI-ALLERGY ENZYME FILTER/ SILVER-IONIZED AIR PURIFIER FILTER)

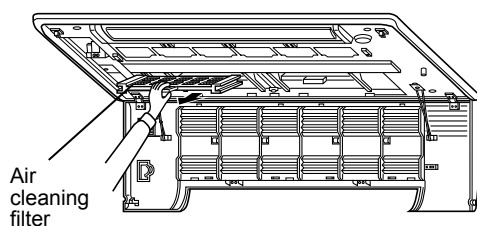
- AIR CLEANING FILTER removes fine dust of 0.01 micron from air by means of static electricity.
- Normal life of AIR CLEANING FILTER is 1 year.
If AIR CLEANING FILTER is to be washed, soak AIR CLEANING FILTER in water (when showing dirt, in lukewarm water) and rinse it delicately, without removing the filter from the frame about once every 3 months.
- Clogged AIR CLEANING FILTER may reduce the air conditioner capacity or cause frost on the air outlet.
- Do not remove or attach AIR CLEANING FILTER during unit operation.

Model	Part No.
MLZ-KA25VA- <u>E1</u> , <u>E2</u> , <u>E3</u> , <u>ER3</u> MLZ-KA35VA- <u>E1</u> , <u>E2</u> , <u>E3</u> , <u>ER3</u> MLZ-KA50VA- <u>E1</u> , <u>E2</u> , <u>E3</u> , <u>ER3</u>	MAC-171FT-E
MLZ-KA25VA- <u>E4</u> , <u>ER4</u> MLZ-KA35VA- <u>E4</u> , <u>ER4</u> MLZ-KA50VA- <u>E4</u> , <u>ER4</u>	MAC-172FT-E



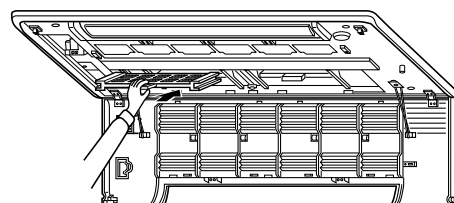
Replacement of the air cleaning filter

(1) Remove the air cleaning filter.



(2) Attach a new air cleaning filter.

Fix the filter with the tabs securely.



(3) Securely close the intake grille.

MITSUBISHI ELECTRIC CORPORATION

HEAD OFFICE: TOKYO BLDG., 2-7-3, MARUNOUCHI, CHIYODA-KU, TOKYO 100-8310, JAPAN

© Copyright 2012 MITSUBISHI ELECTRIC CORPORATION
Distributed in Dec. 2015 No. OBB483 REVISED EDITION-D
Distributed in Jan. 2014 No. OBB483 REVISED EDITION-C
Distributed in Nov. 2012 No. OBB483 REVISED EDITION-B
Distributed in Nov. 2009 No. OBB483 REVISED EDITION-A 7
Distributed in Feb. 2007 No. OBB483 8
Made in Japan

New publication, effective Dec. 2015
Specifications are subject to change without notice.