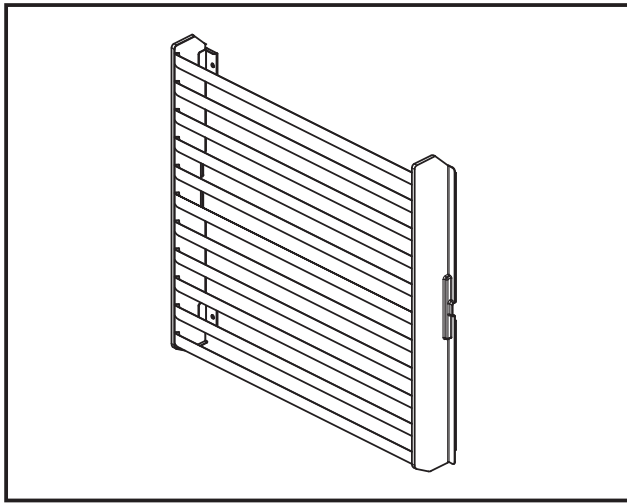




## Figure



## Descriptions

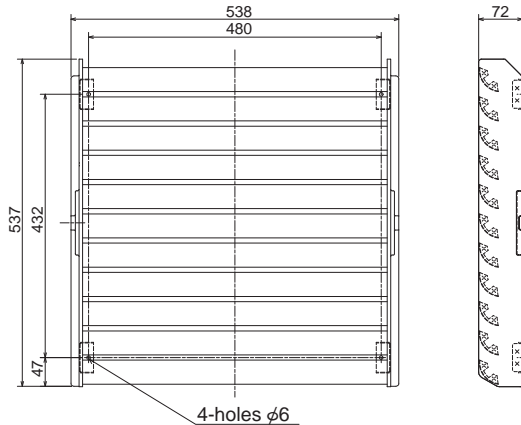
The air outlet guide changes the direction of air from the outdoor unit and prevents short cycling.

## Applicable Models

- MUZ-FH50VE(HZ)
- MUZ-LN60VG2
- MUZ-LN50VGHZ2
- MUZ-SF50VE(H)
- MUZ-DM60/71VA
- MUFZ-KJ50VE(HZ)
- SUZ-KA50/60/71VA6
- SUZ-M60/71VA
- MUZ-AP71VG
- MUZ-GF60/71VE
- MUZ-EF50VE
- MUZ-HJ60/71VA
- MU-GF60/71VA

## Dimensions

Unit : mm



## Specifications

Exterior	Color (Munsell)	Ivory (3.0Y7.8/1.1)
	Material/Surface treatment	Alloy hot-dip zinc-coated carbon steel sheet / Acrylic resin coating
Air outlet direction		Upward

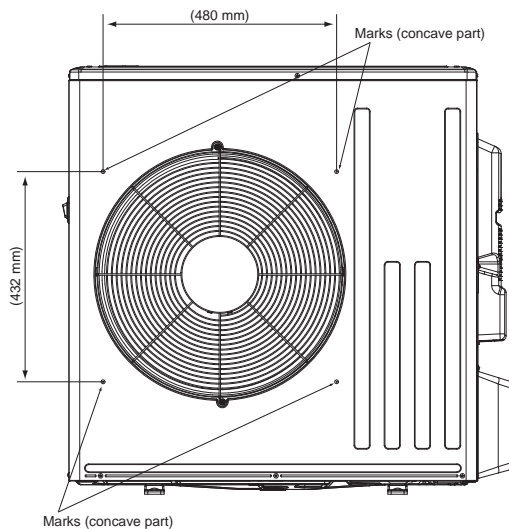
## Components

① Air outlet guide × 1	② Screw × 4

## How to Use / How to Install

### 1. Preparations

- (1) Make sure to switch off the power supply or turn off the breaker.
- (2) Determine the position of the front panel. Drill 4 holes ( $\phi 4.0$  mm) into the front panel on the marks (concave part).

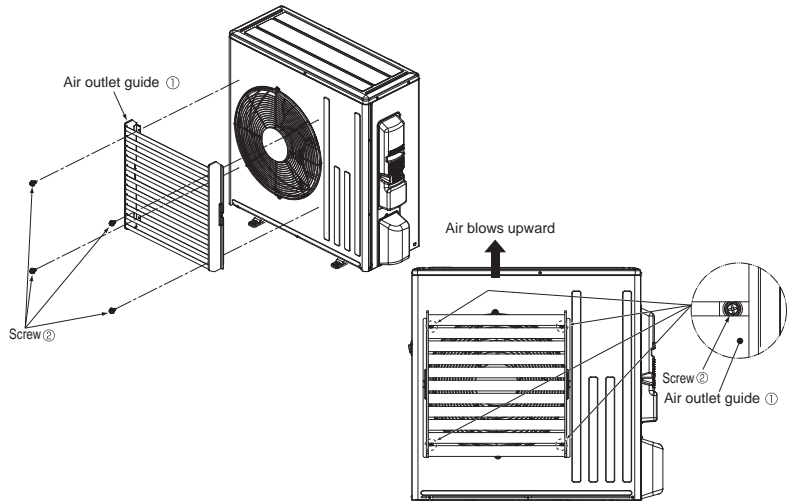


### 2. Attaching the air outlet guide

Fix the air outlet guide ① with 4 screws ②.

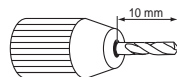
#### Note:

- Tighten the screws sufficiently. When the screws are not tight enough, vibrations occur and they may cause fluttering sound.
- Attach the air outlet guide so that air does NOT blow downward to prevent short cycling.



#### Note:

The drill bit should be about 10mm long as shown in the right picture. If the drill bit is too long, it may damage the heat exchanger, the electrical parts, etc. in the outdoor unit.



### 3. After installation

Refer to the installation manual provided with the unit to perform pipe connection and electric wiring.