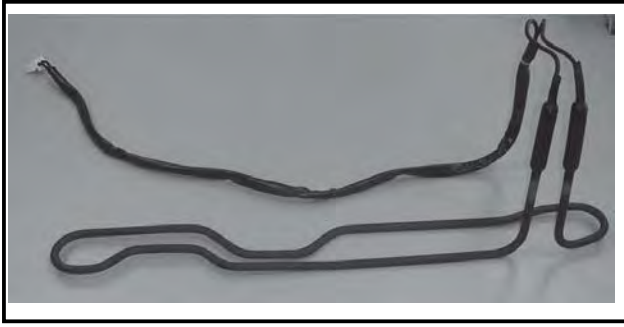


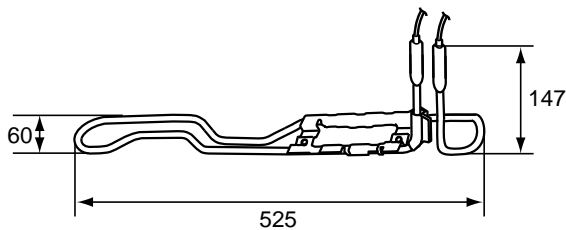
Freeze-prevention heater (for drain pan) MAC-644BH-E

Photo



Dimensions

Unit : mm



Descriptions

It is freeze-prevention heater for the outdoor unit of the air conditioner.

Applicable Models

- MUZ-EF50VE
- SUZ-KA50VA6

Specifications

Rated voltage	230 V 50 Hz
Power consumption	120 W

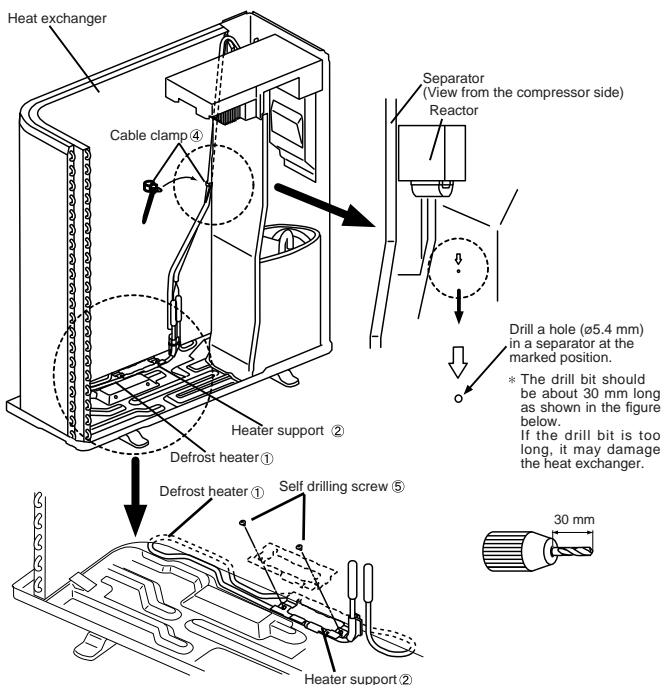
Components

① Defrost heater	1	⑤ Self drilling screw	2
② Heater support	1	⑥ Wiring diagram	1
③ Insulation	1	⑦ Spec label	1
④ Cable clamp	1		

How to Use / How to Install

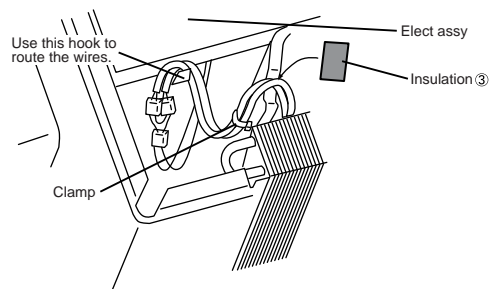
1. INSTALLING THE HEATER

- (1) Hold the left lower side of the heat exchanger, and slightly lift up the heat exchanger.
 - (2) Insert the defrost heater ① under the heat exchanger, and align it with the groove on the base.
In order to fix the defrost heater to the base, fix the heater support ② to the base with 2 self drilling screws ⑤.
 - (3) Route the lead wires of the defrost heater ①, as shown in the figure below.
Tightly secure them with the cable clamp ④.
- *If the lead wires slacken, they may touch the propeller fan. Be sure to secure the wires with the cable clamp ④ for safety.



2. FIXING THE WIRES

- (1) Install the motor support.
- (2) Tightly secure all the lead wires of the defrost heater ①, the motor, and the ambient thermistor with a clamp as shown in the figure below.
- (3) Apply the insulation ③ the place indicated in the figure below.
- (4) Connect the lead wires of the defrost heater ① to the inverter P.C. board (CN722).



OPTIONAL PARTS