

**FlowCon SM1**  
DN15/20/25 · 1/2", 3/4", 1"

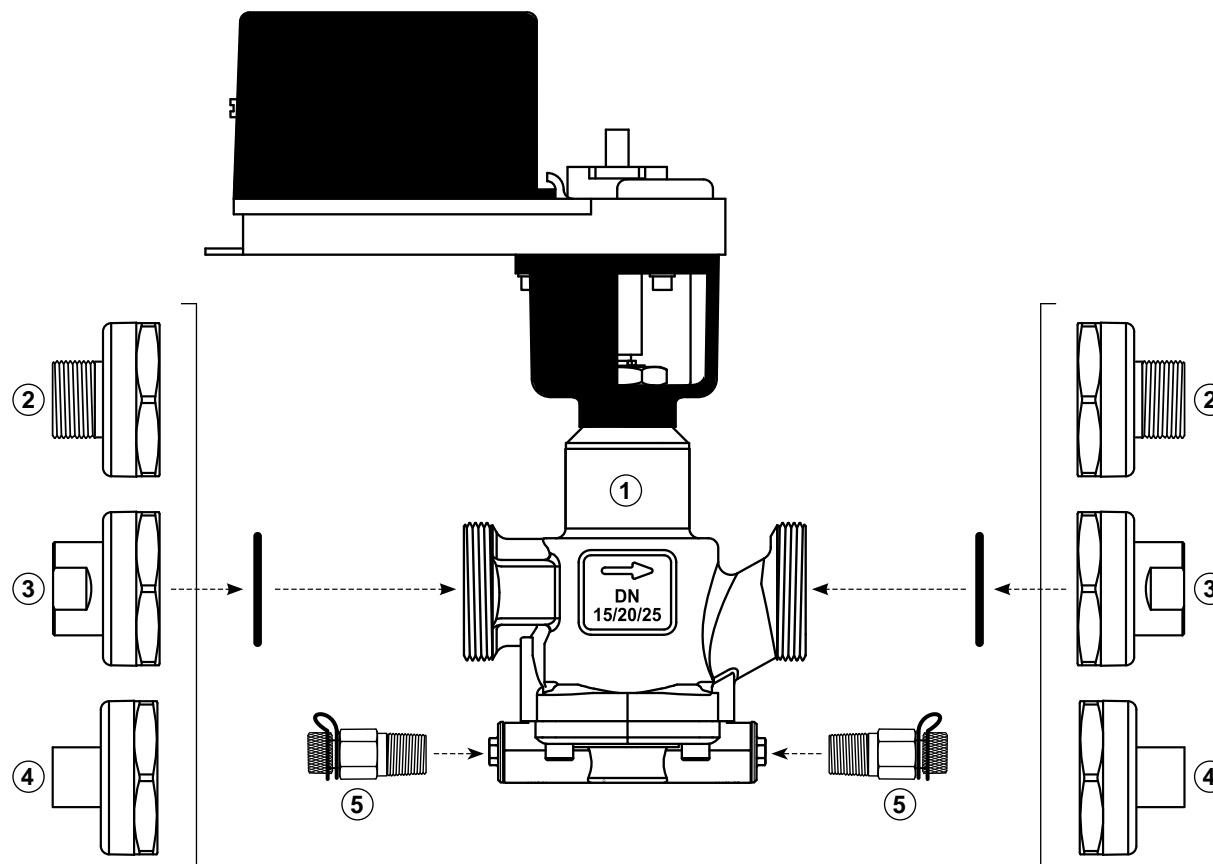
No. Reference no. Description

**Valve body and actuator**

- |   |            |   |
|---|------------|---|
| ① | SM.1.1.P.0 | Valve body incl. plugs and brush/display actuator |
|---|------------|---|

**Accessories**

- |   |              |  |
|---|--------------|--|
| ② | 1C000xx      | Male union end conn. 15-25mm (1/2"-1")     |
| ③ | 1C000xx      | Female union end conn. 15-20mm (1/2"-3/4") |
| ④ | 1C000xx      | Sweat union end conn. 15-22mm              |
| ⑤ | 2 x ACC00101 | P/t plugs                                  |



**FlowCon SM2**  
**DN25/32/40 · 1", 1 1/4", 1 1/2"**

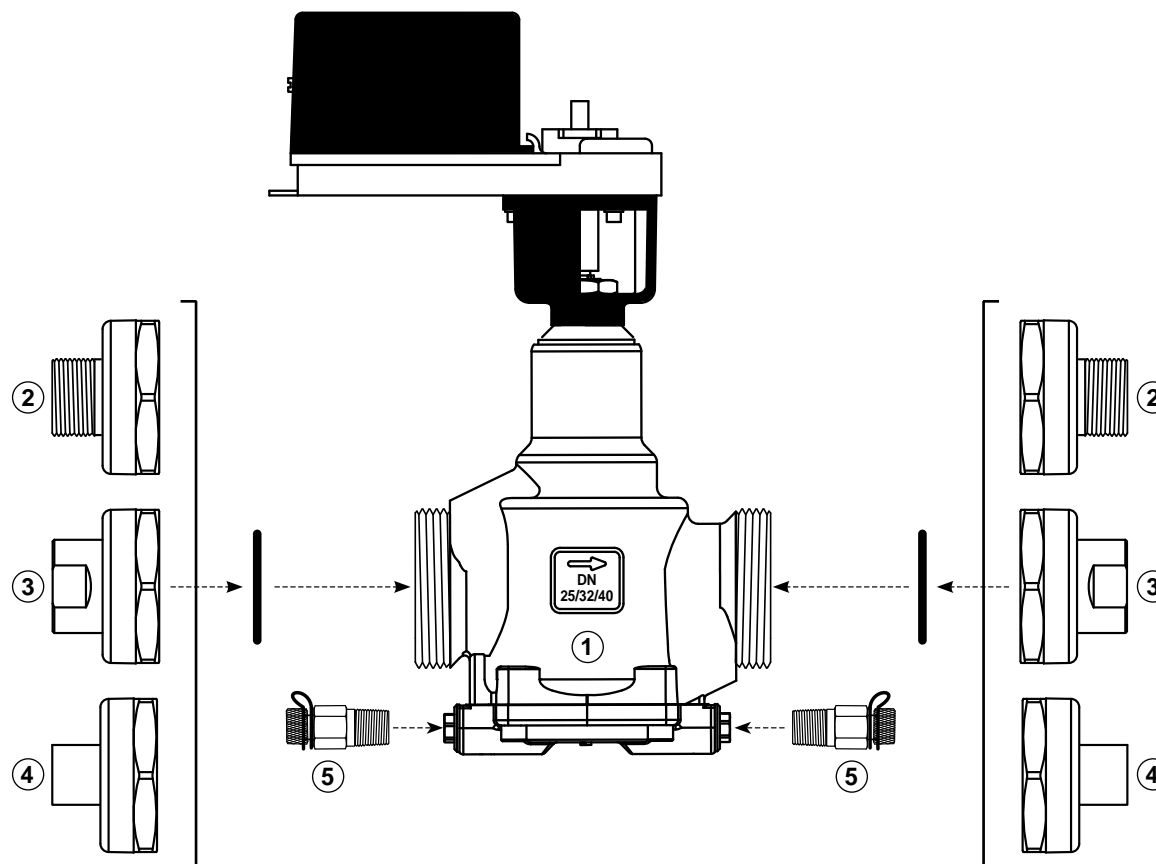
No. Reference no. Description

**Valve body and actuator**

- |   |            |   |
|---|------------|---|
| ① | SM.2.1.P.x | Valve body incl. plugs and brush/display actuator |
|---|------------|---|

**Accessories**

- |   |              |  |
|---|--------------|--|
| ② | 1C000xx      | Male union end conn.:<br>25-40mm (1"-1 1/2")   |
| ③ | 1C000xx      | Female union end conn.:<br>25-40mm (1"-1 1/2") |
| ④ | 1C000xx      | Sweat union end conn.:<br>28-35mm              |
| ⑤ | 2 x ACC00101 | P/t plugs                                      |



**FlowCon SM3/SM4/SM5**  
**DN50-150 · 2"-6"**

No. Reference no. Description

**Valve body**

- |   |           |  |
|---|-----------|--|
| ① | SM3.x.B.x | Valve body incl. p/t plugs and snap ring |
| ② | SM4.x.B.x | Valve body incl. p/t plugs and snap ring |
| ③ | SM5.x.B.x | Valve body incl. p/t plugs and snap ring |

**Actuator**

- |   |            |                     |
|---|------------|---------------------|
| ④ | SM.0.0.0.x | Electrical actuator |
|---|------------|---------------------|

**Accessories**

- |   |         |           |
|---|---------|-----------|
| ⑤ | 1A30301 | Snap ring |
|---|---------|-----------|

