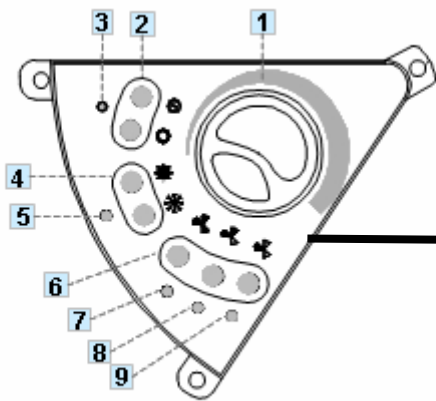


AC Hydronic Controls



INDEX

AC2800A ELECTRONIC CONTROL	page 3
- FEATURES	page 3
- WIRING DIAGRAM	page 3
AC2800B ELECTRONIC CONTROL	page 4
- FEATURES	page 4
- WIRING DIAGRAM	page 4
AC512 MECHANICAL THERMOSTAT	page 5
- FEATURES	page 5
- WIRING DIAGRAM	page 5
AC513 MECHANICAL THERMOSTAT	page 6
- FEATURES	page 6
- WIRING DIAGRAM	page 6
AC8000 ELECTRONIC THERMOSTAT	page 7
- FEATURES	page 7
- WIRING DIAGRAM	page 7
- OPERATING ISTRUCTION	page 8
AC8000_NIM ELECTRONIC THERMOSTAT	page 9
- FEATURES	page 9
- WIRING DIAGRAM	page 9
- OPERATING ISTRUCTION	page 10
- NIM CONNECTION	page 11

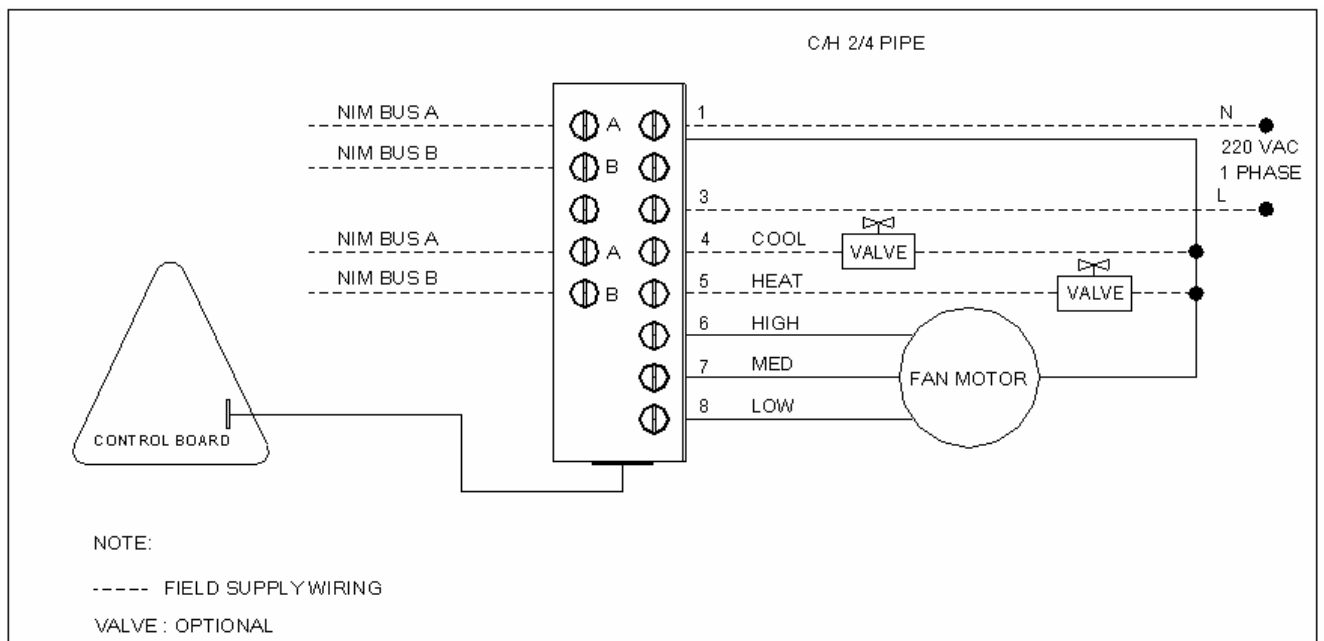
AC2800A ELECTRONIC CONTROL

FEATURES

- Cooling /Heating mode
- Fan speed
- LEDs
- Auto-diagnosis
- Coil & Ambient sensors
- Auto-restart
- Integrated NIM module
- Frost protection
- 2 Pipe & 4 Pipe
- Valve control
- **NIM connection**



WIRING DIAGRAM



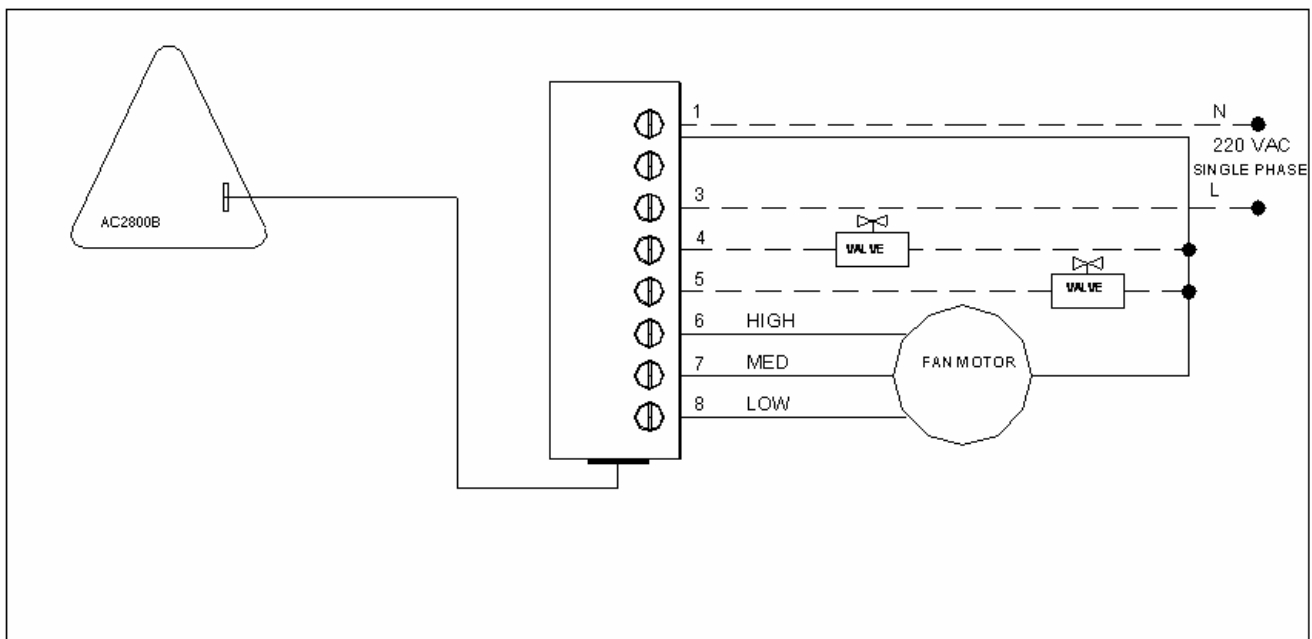
AC2800A ELECTRONIC CONTROL

FEATURES

- Cooling /Heating mode
- Fan speed
- LEDs
- Coil & Ambient sensors
- Frost protection
- 2 Pipe & 4 Pipe
- Valve control



WIRING DIAGRAM



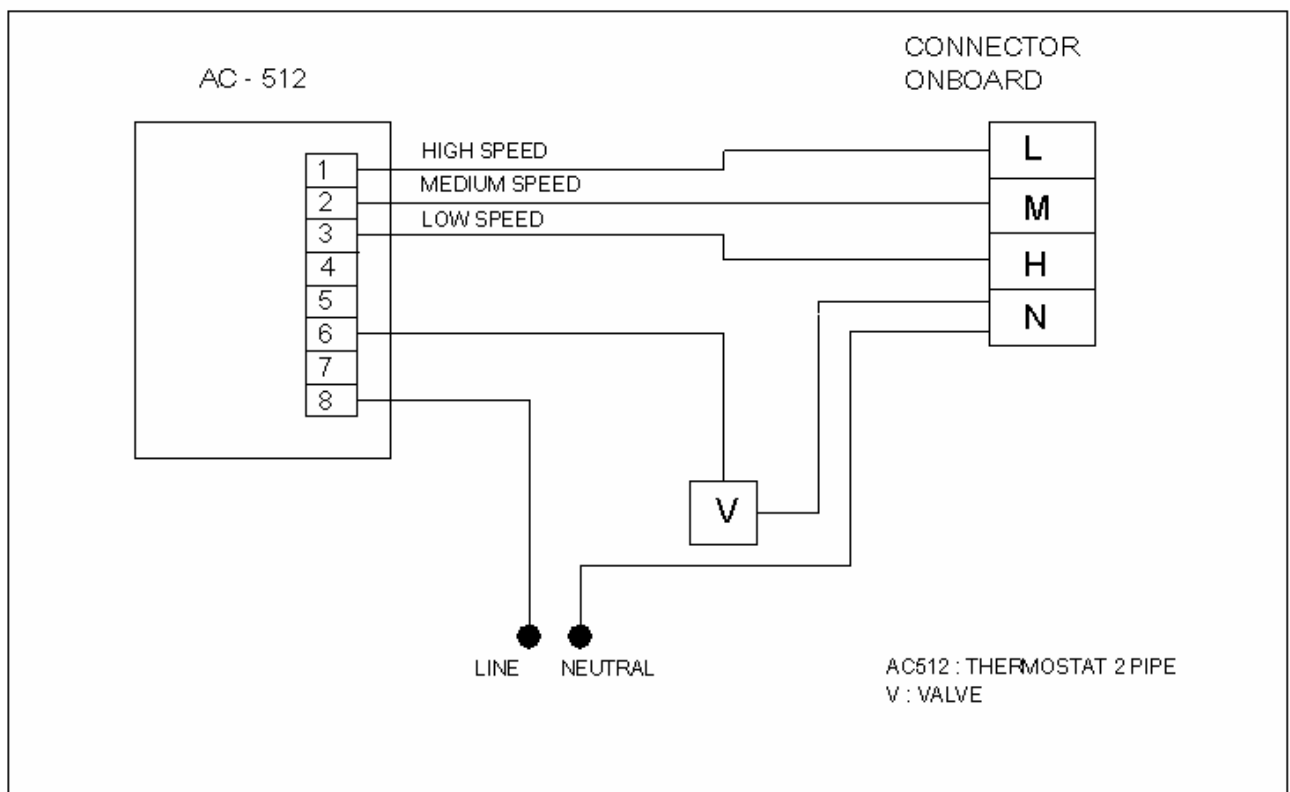
AC512 MECHANICAL THERMOSTAT

FEATURES

- Cooling /Heating mode
- Fan speed
- ON/OFF
- Valve control
- 2 Pipe system



WIRING DIAGRAM



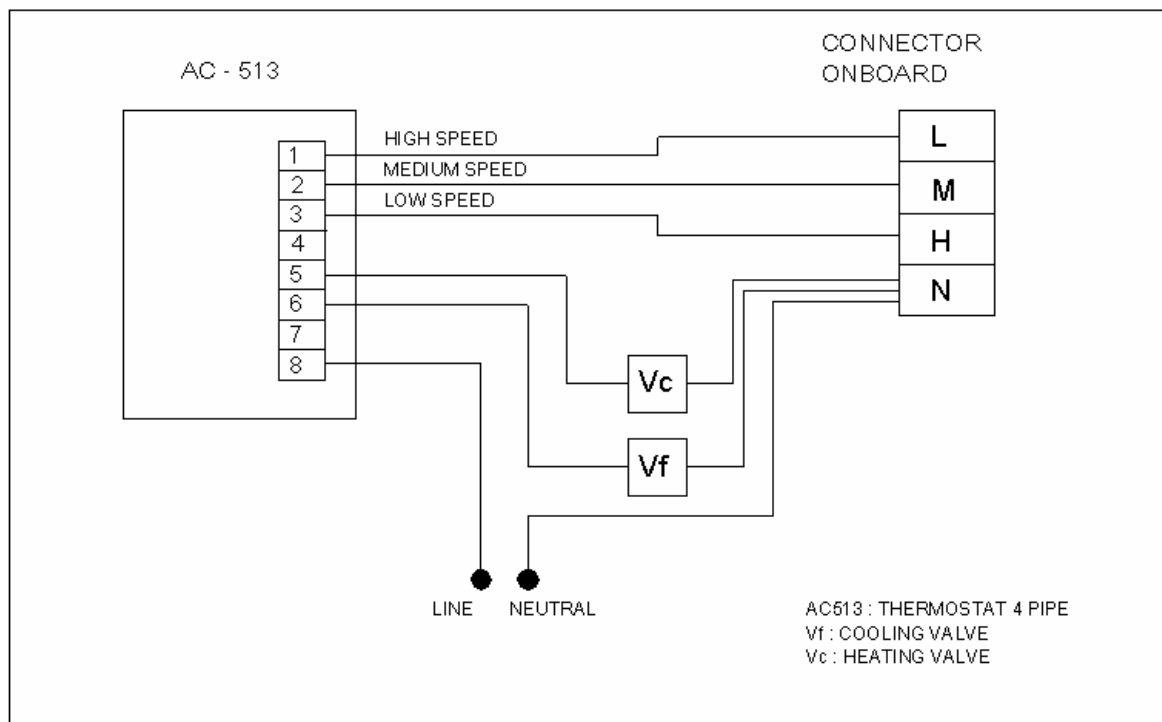
AC513 MECHANICAL THERMOSTAT

FEATURES

- Cooling /Heating mode
- Fan speed
- ON/OFF
- Valve control
- 4 Pipe system



WIRING DIAGRAM



AC8000 ELECTRONIC THERMOSTAT

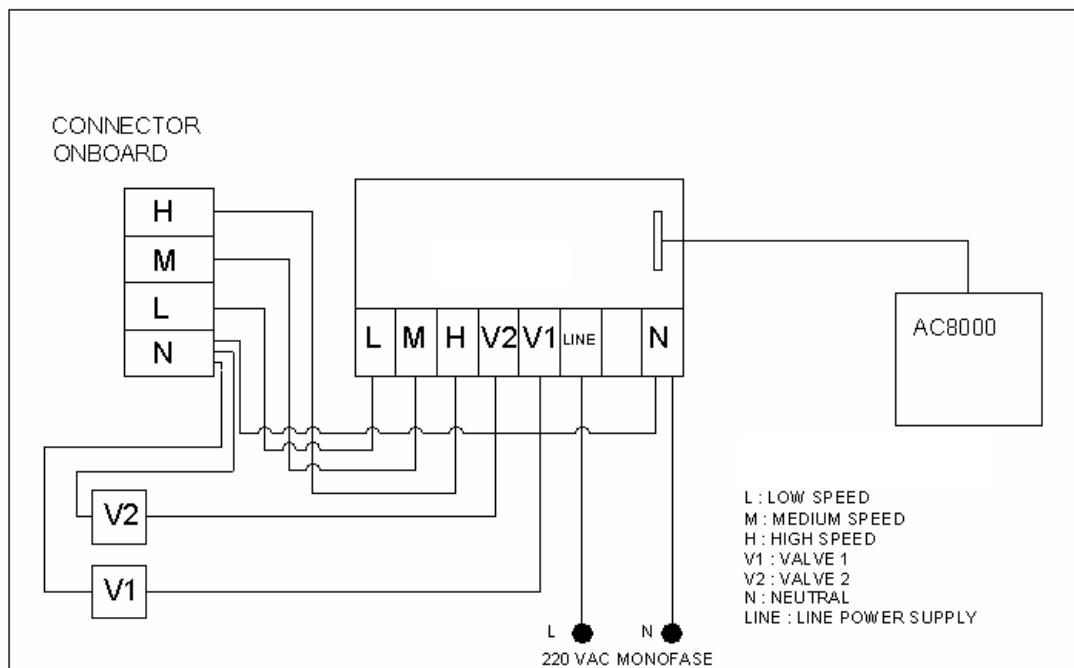
FEATURES

- ON/OFF
- Cooling /Heating mode
- Fan speed
- LEDs
- Auto-diagnosis
- Coil & Ambient sensors
- Auto-restart
- Frost protection
- 2 Pipe & 4 Pipe
- Valve control
- Wall mount
- Remote control



- 1 ON /OFF
- 2 Cooling/heating
- 3 Timer
- 4 Fan speed
- 5 Temperature "+"
- 6 Temperature "-"
- 7 Backlit display

WIRING DIAGRAM



AC8000 ELECTRONIC THERMOSTAT

OPERATING INSTRUCTION

Display indoor room temperature

Press setting-key continually once and LCD display indoor temperature.

To exit you have to press any key or wait for 5 sec.

Time setting

Week setting: Press setting-key continually 3 times and access to modify week mode. Press Up/Down key to set the week.

Clock setting: Press setting-key continually 4 times and access to modify clock mode. Press Up/Down key to set the clock.

To exit you have to press any key or wait for 5 sec.

Timer setting

Timer setting: Press setting-key continually 5 times and access to modify timer mode. Press Up/Down key to set the timer.

There are 14 setting timer a week, press setting-key to set next setting timer.

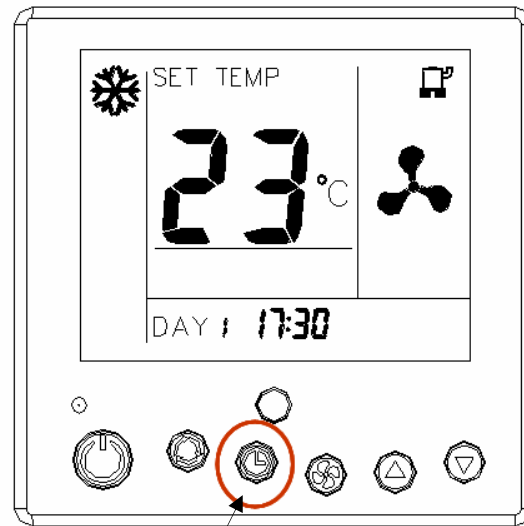
To exit you have to press any key or wait for 5 sec.

Timer disable or enable

Press setting-key continually till display "set clock, set timer" and access to set disable or enable on timer mode.

Press up key to select disable or enable open status or press down key to select disable or enable close status

To exit you have to press any key or wait for 5 sec.



Setting-Key



Electric connector

To AC8000

Power board

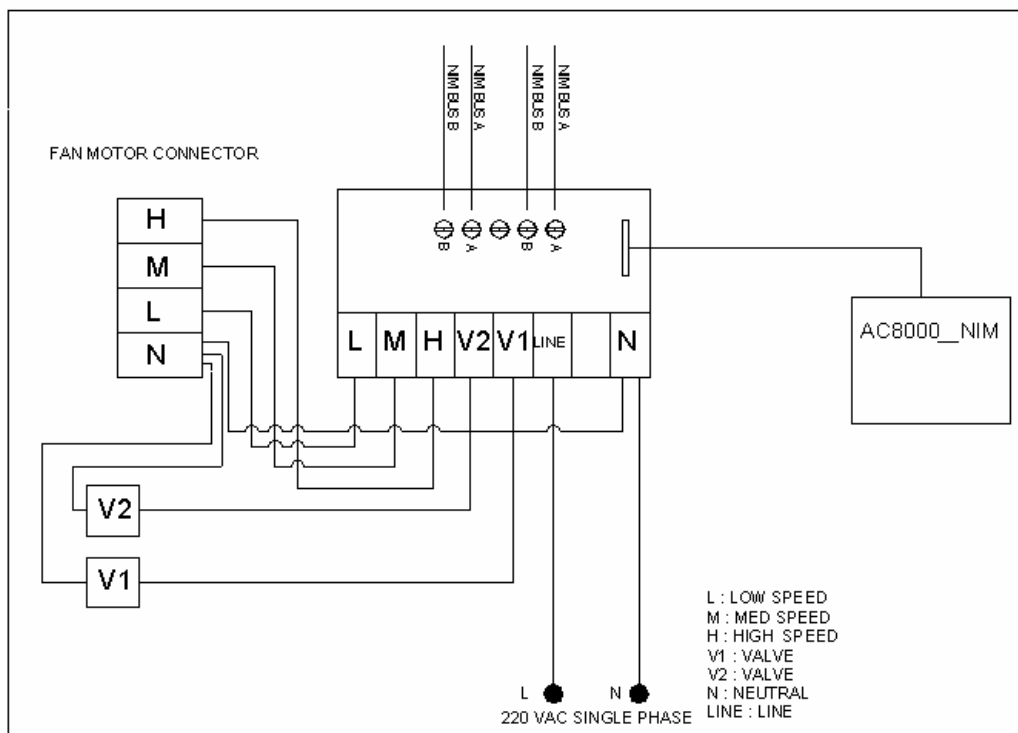
AC8000_NIM ELECTRONIC THERMOSTAT

FEATURES

- ON/OFF
- Cooling /Heating mode
- Fan speed
- LEDs
- Auto-diagnosis
- Coil & Ambient sensors
- Auto-restart
- Frost protection
- 2 Pipe & 4 Pipe
- Valve control
- Wall mount
- Remote control
- **NIM connection**



WIRING DIAGRAM



OPERATING INSTRUCTION

Display indoor room temperature

Press setting-key continually once and LCD display indoor temperature.

To exit you have to press any key or wait for 5 sec.

Time setting

Week setting: Press setting-key continually 3 times and access to modify week mode. Press Up/Down key to set the week.

Clock setting: Press setting-key continually 4 times and access to modify clock mode. Press Up/Down key to set the clock.

To exit you have to press any key or wait for 5 sec.

Timer setting

Timer setting: Press setting-key continually 5 times and access to modify timer mode. Press Up/Down key to set the timer.

There are 14 setting timer a week, press setting-key to set next setting timer.

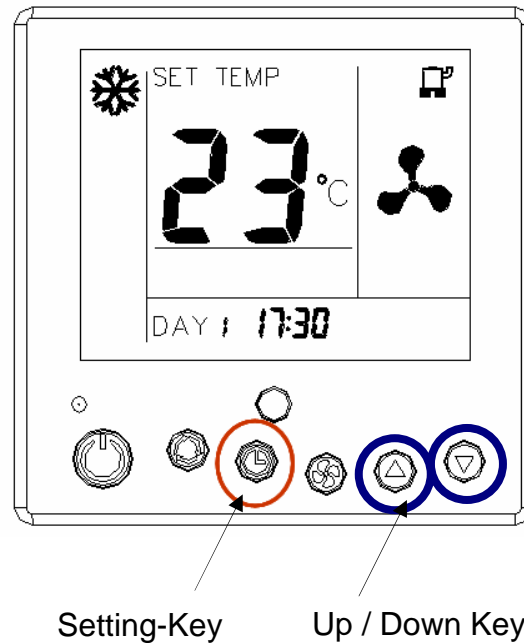
To exit you have to press any key or wait for 5 sec.

Timer disable or enable

Press setting-key continually till display "set clock, set timer" and access to set disable or enable on timer mode.

Press up key to select disable or enable open status or press down key to select disable or enable close status

To exit you have to press any key or wait for 5 sec.



NIM setting

Press setting-key and the LCD display the group number and the unit number.

To modify the settings you have to press continually 5 times and access to modify timer mode.

Press Up/Down key at the same time and when the display blinks you are allowed to modify the group number and unit number.

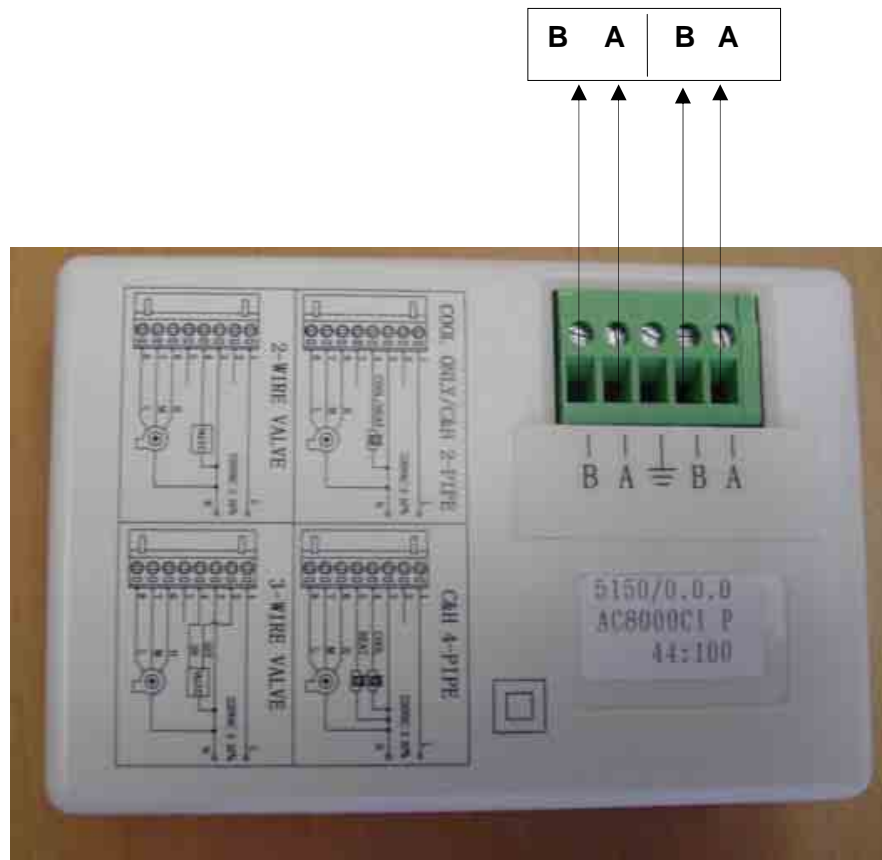
Press Up/Down key to set the group and the unit.

Left number : Group
Right number : Unit

To exit you have to press any key or wait for 5 sec.

AC8000_NIM ELECTRONIC THERMOSTAT

NIM CONNECTION



To AC8000_NIM

Electric connector



McQuay Italia S.p.A.

S.S. Nettunense, km 12+300 – 00040 Cecchina (Roma) – Italia
tel. +39 06 937311; fax +39 06 9374014

[www .mcquayeuropa. com](http://www.mcquayeuropa.com) - info @mcquayeuropa. com